

EXPLODED VIEWS

1. CABINET AND MAIN FRAME SECTION

★ OPTIONAL PART

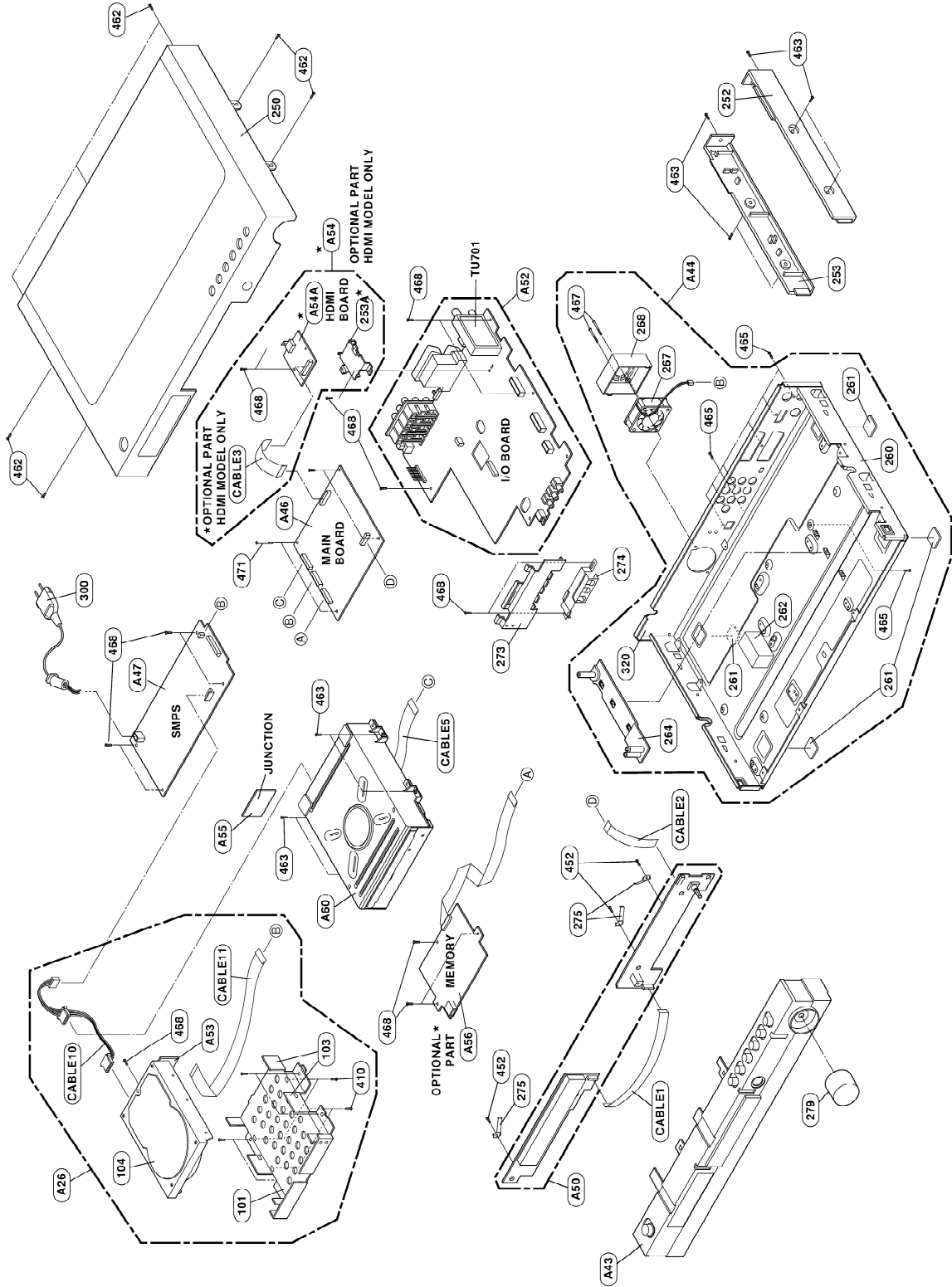
5

4

3

2

1



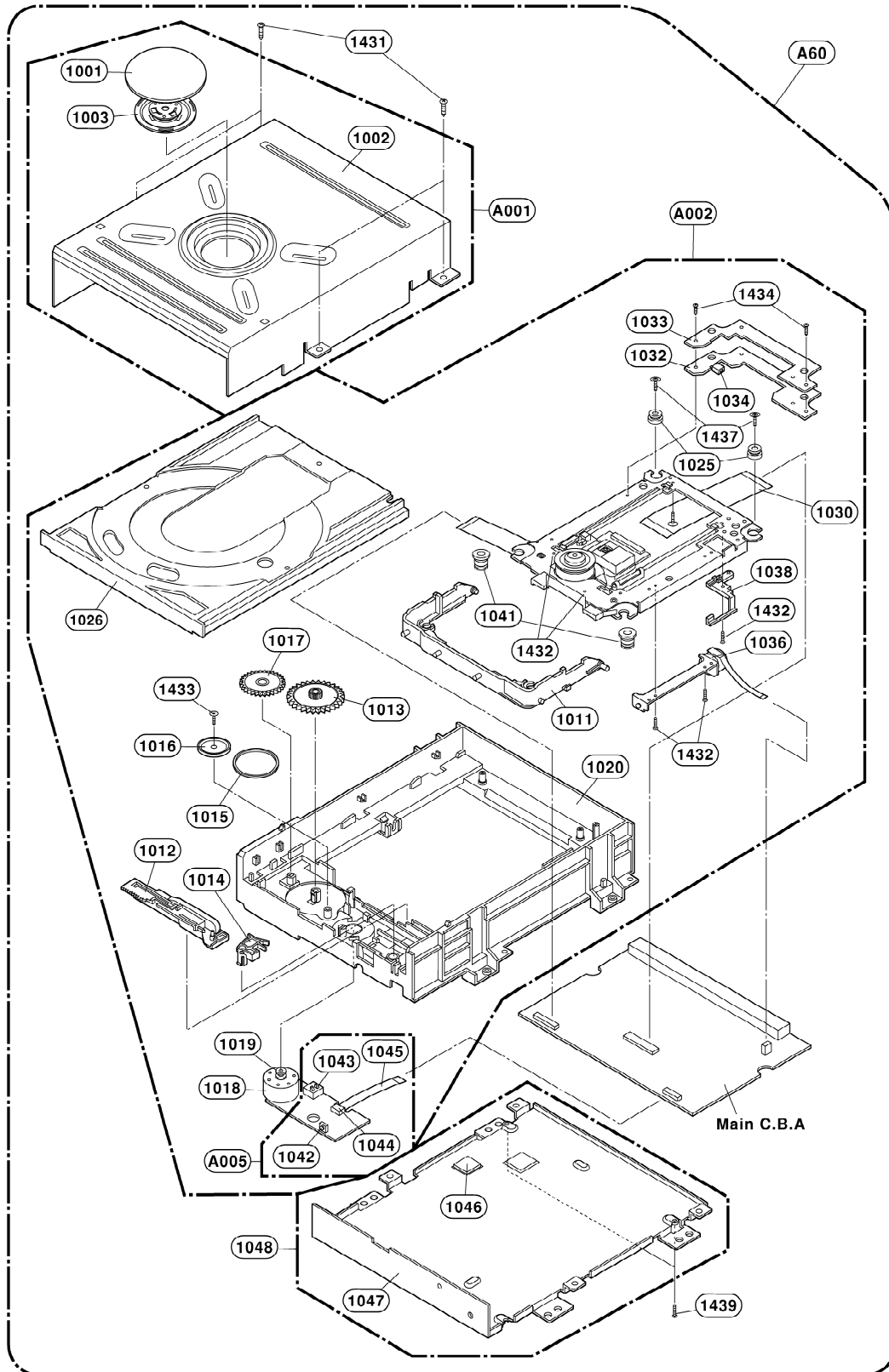
A

B

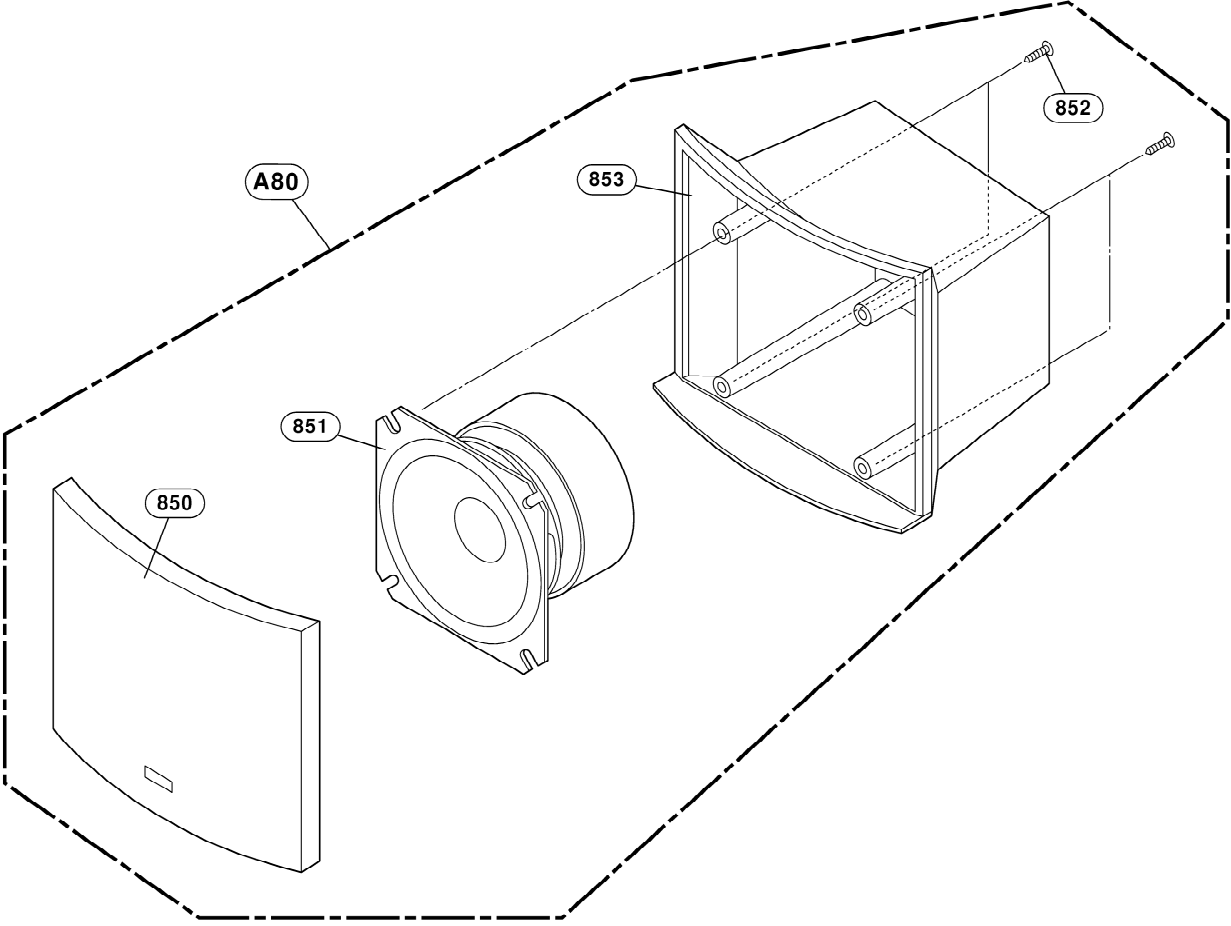
C

D

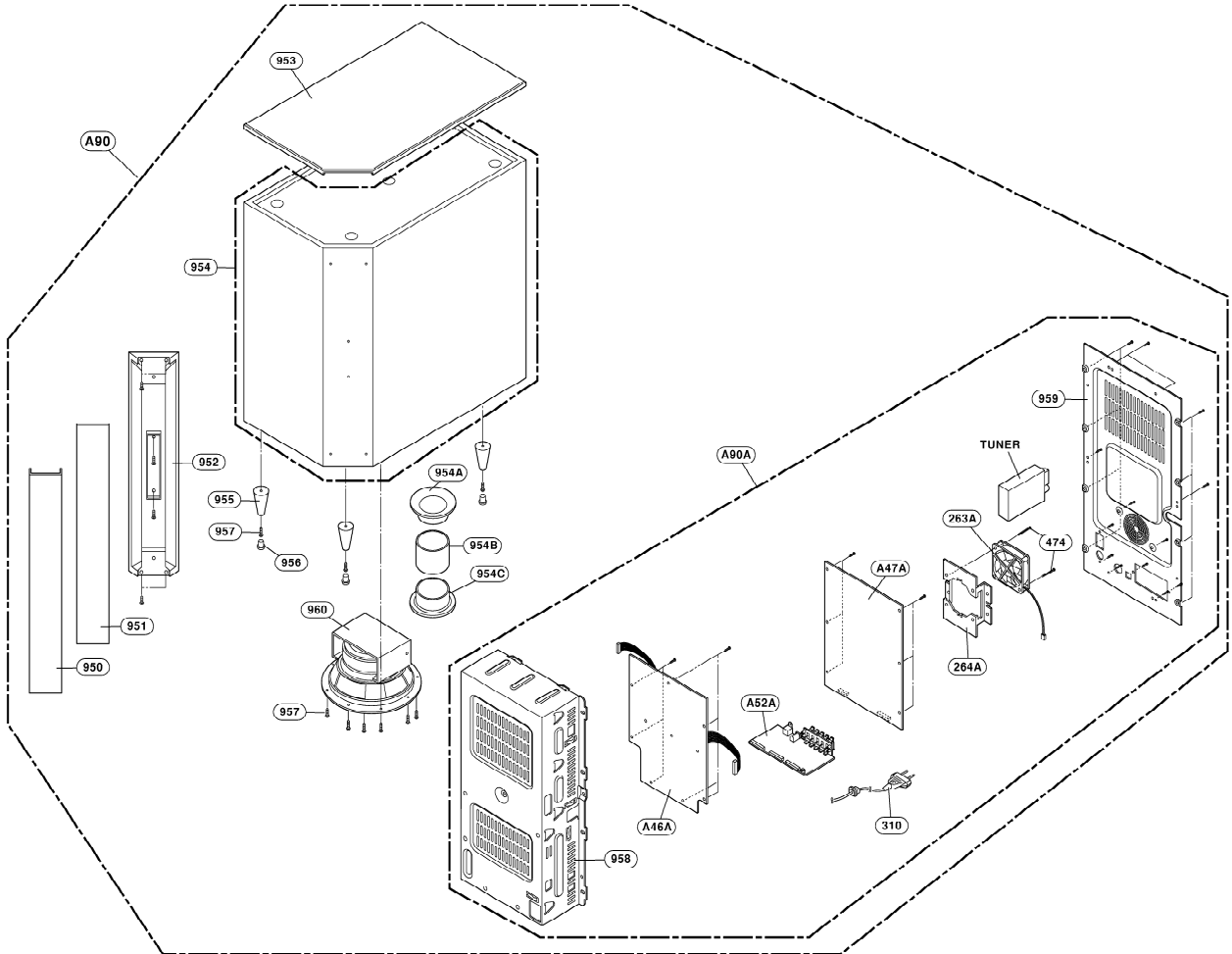
2. DECK MECHANISM SECTION(RS-01A)



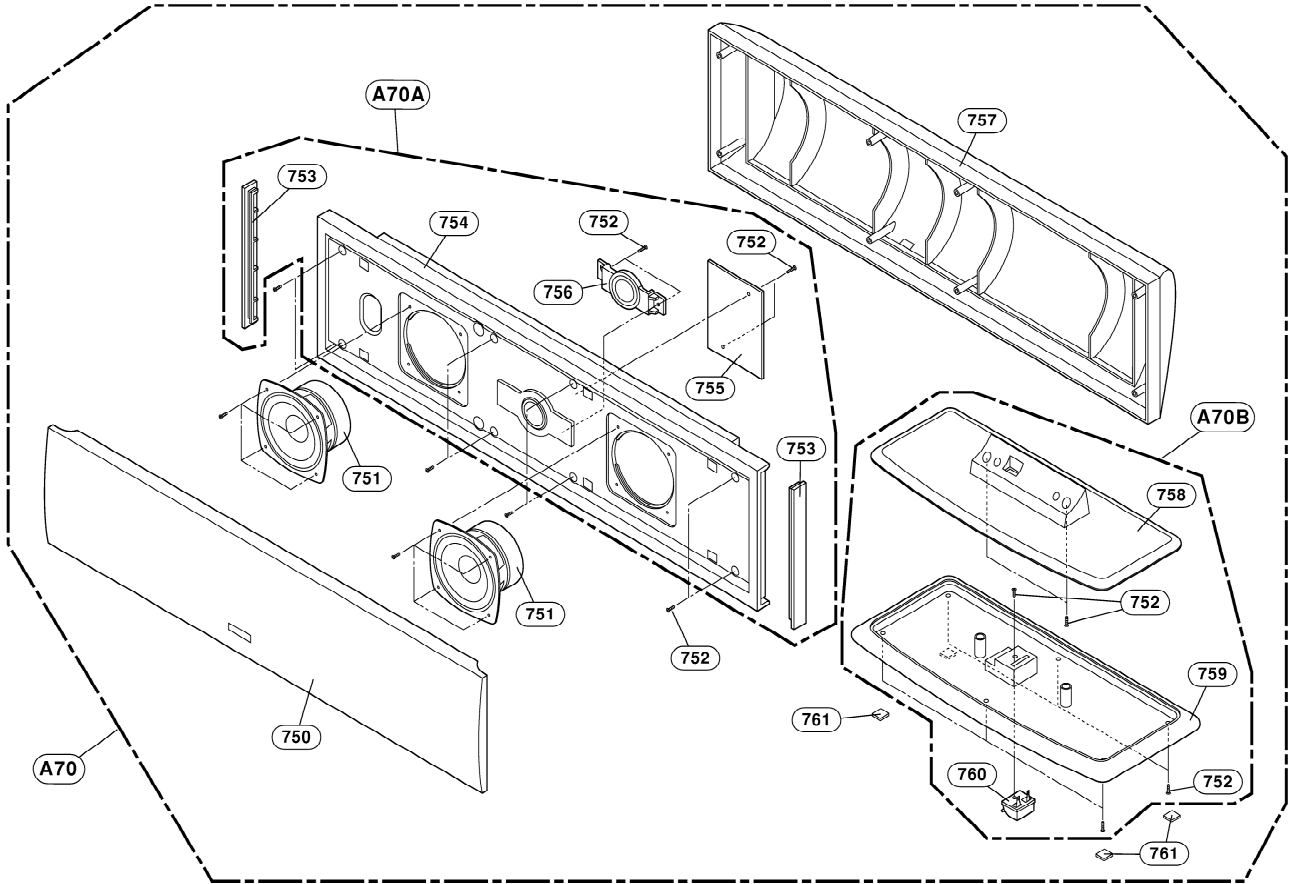
3. SPEAKER SECTION(LHS-36SE5)
• FRONT/REAR/CENTER SPEAKER(LHS-36SE5S)



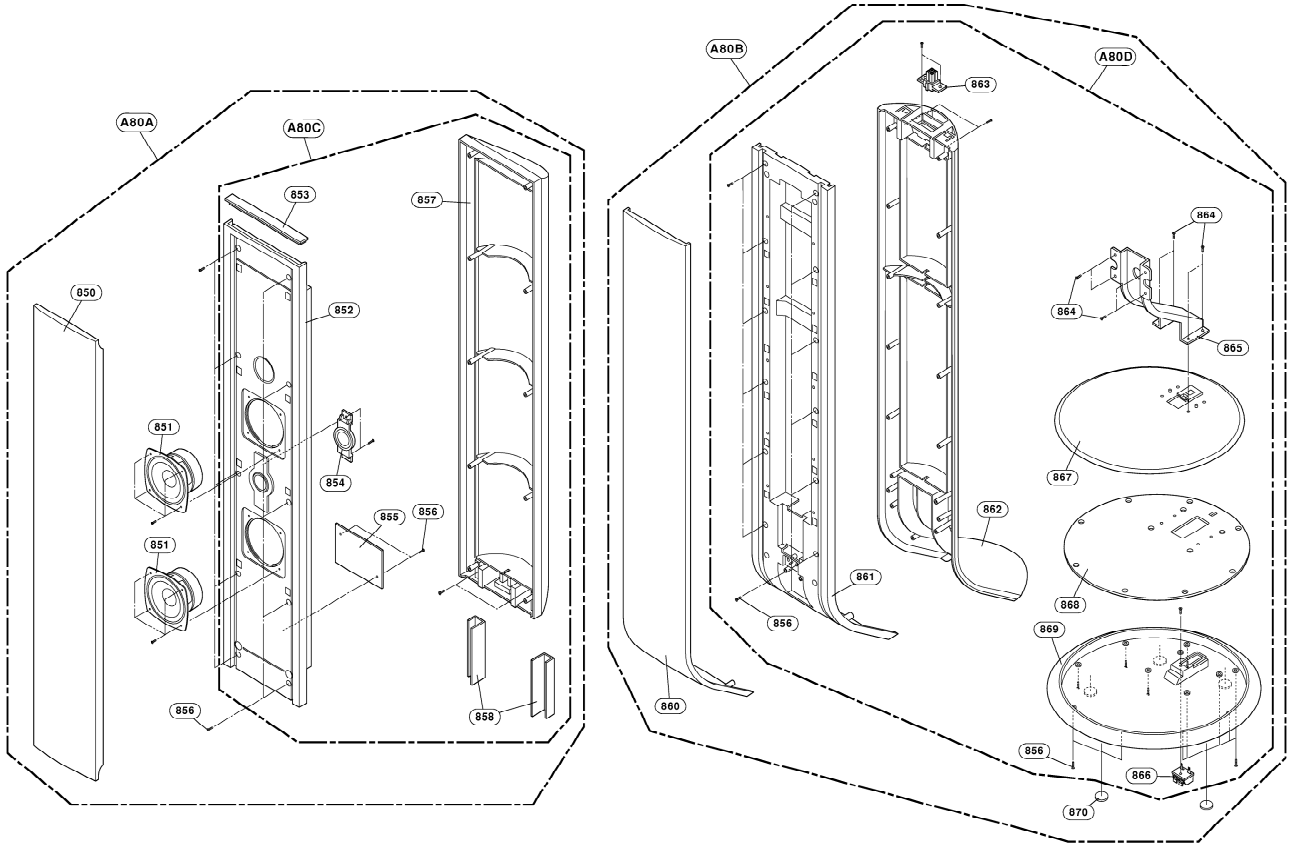
• ACTIVE SUBWOOFER SPEAKER(LHS-36SE5W)



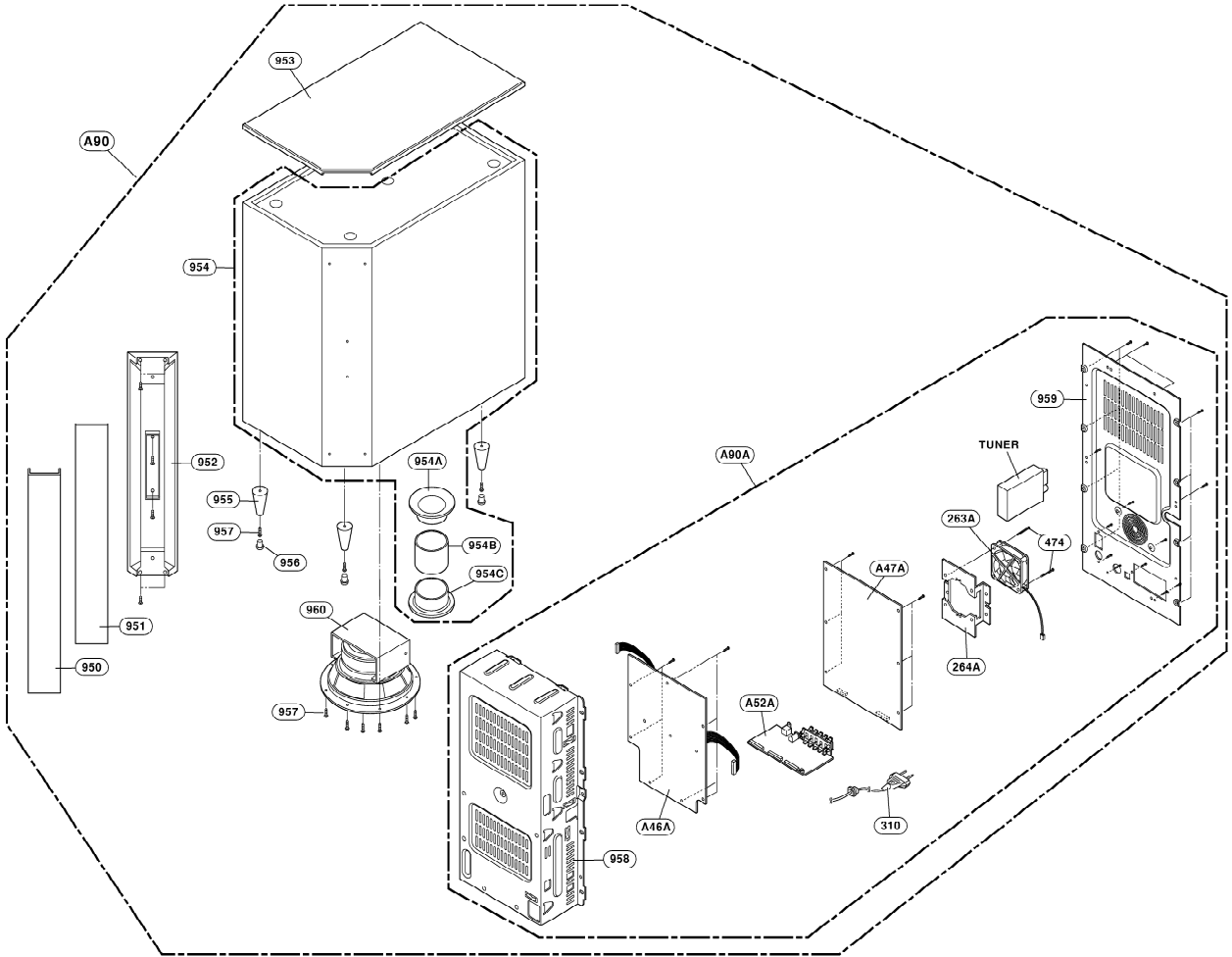
3. SPEAKER SECTION(LHS-76IA5)
• **CENTER SPEAKER(LHS-76/96IA5C)**



• FRONT/SATELLITE SPEAKER(LHS-76/96IA5S)



• ACTIVE SUBWOOFER SPEAKER(LHS-76/96IAW)



4. PACKING ACCESSORY SECTION

