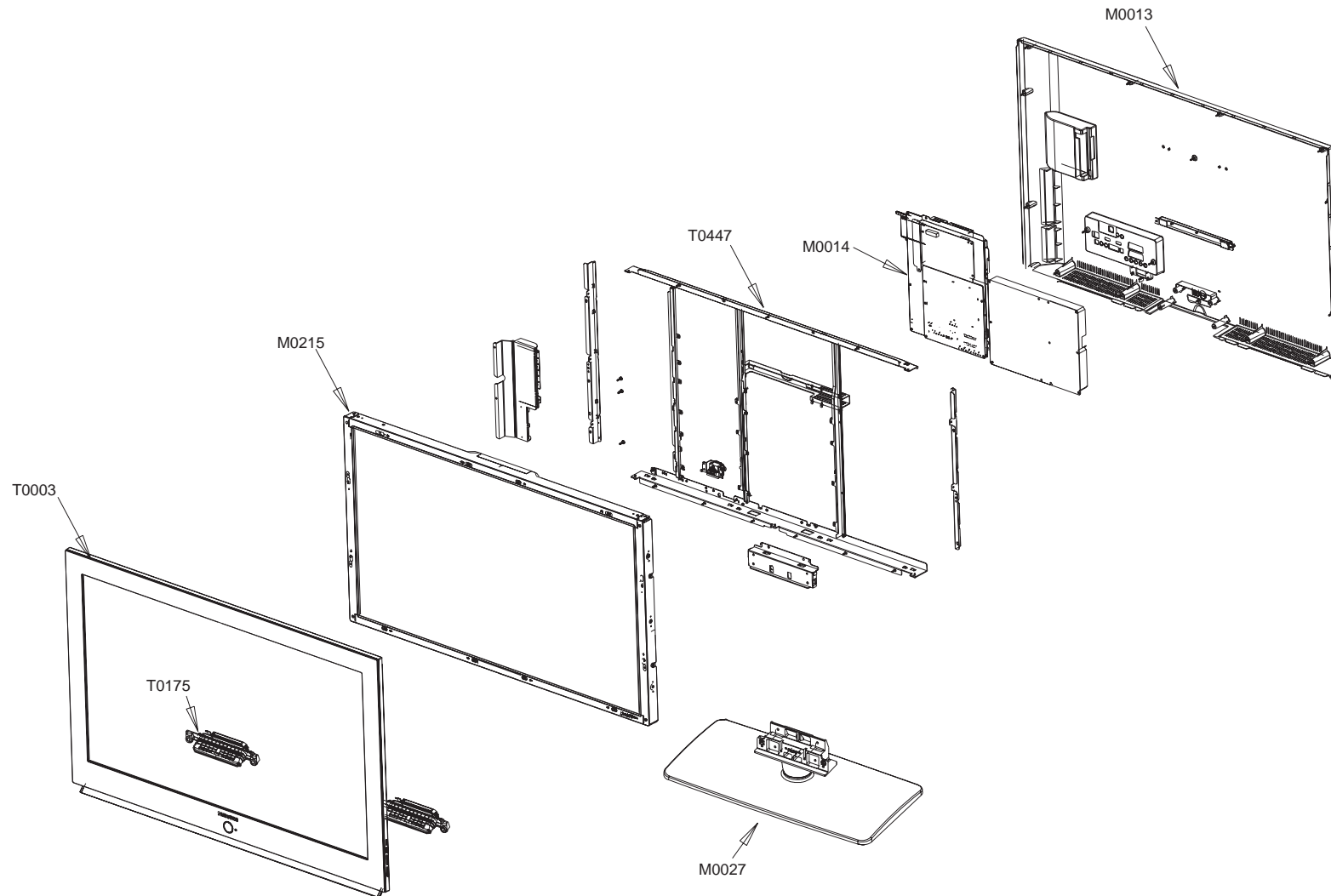


## 5 Exploded View and Parts List

- You can search for updated part codes through ITSELF web site.  
URL : <http://itself.sec.samsung.co.kr/>

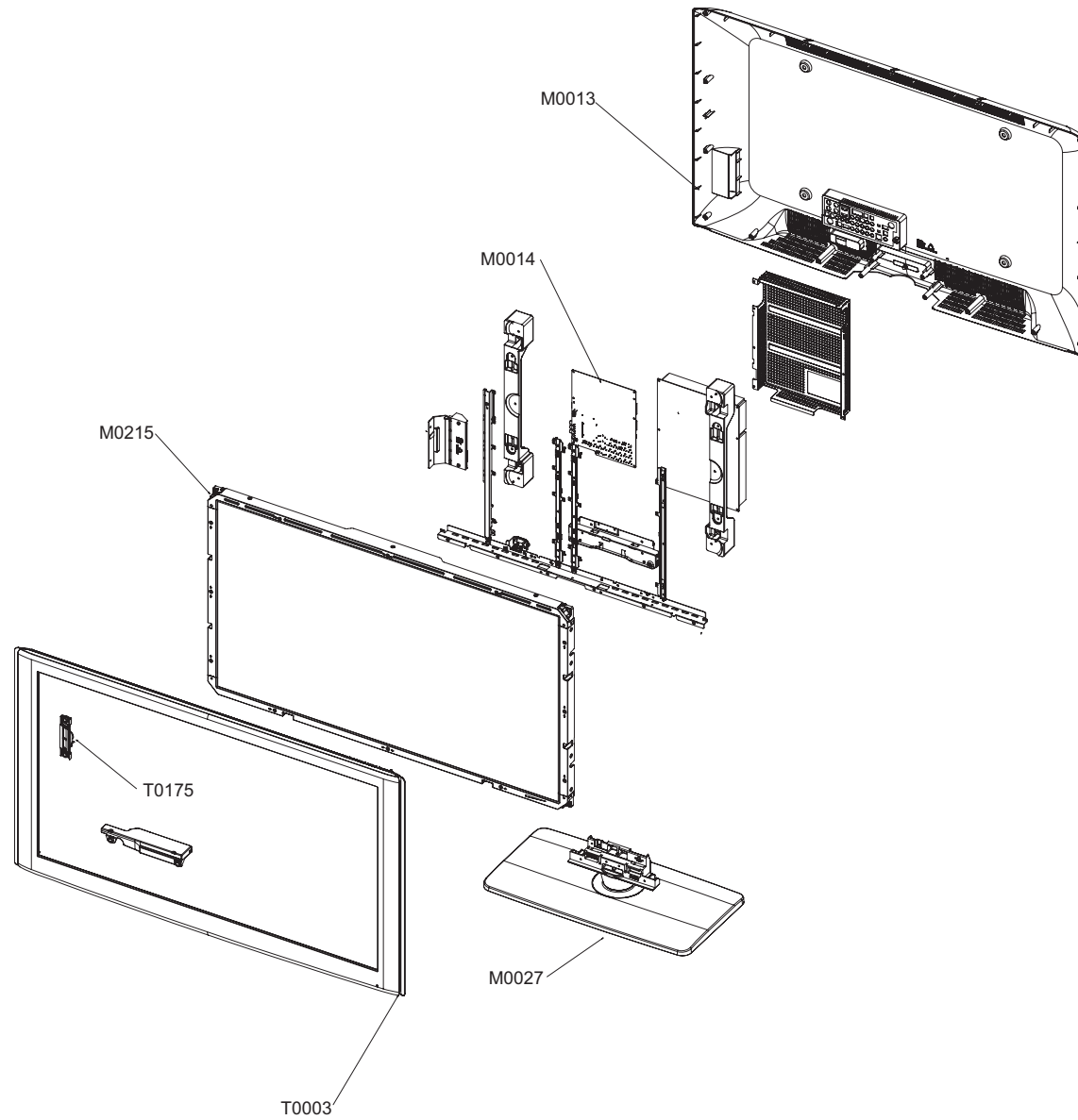
### 5-1 LE40N87BDX Exploded View



## 5-2 LE40N87BDX Parts list

Location	Code.No	Item & Specification	Q'ty	SA/SNA	Remark
T0003	BN96-05067D	ASSY COVER P-FRONT;40N87,EO,ABS+PMMA,HB,	1	S.A	
T0175	BN96-04958A	ASSY SPEAKER P;8ohm,Tulip side,side type	1	S.A	
T0447	BN96-05213D	ASSY BRACKET P-PANEL;40N87,EO	1	S.N.A	
M0215	BN07-00409A	LCD-PANEL;LTA400HT-L01,8bit,40inch,16.7M	1	S.A	
M0014	BN94-01312A	ASSY PCB MAIN-AM LCD;LE40N86BDX/*AMLCD	1	S.A	
M0013	BN96-05091A	ASSY COVER P-REAR;TULIP SIDE,40,SESK	1	S.A	
M0027	BN96-05088A	ASSY STAND P-BASE;TULIP SIDE,40,SESK	1	S.A	

5-3 LE46N87BDX Exploded View



## 5 Exploded View &amp; Parts List

## 5-4 LE46N87BDX Parts list

Location	Code.No	Item & Specification	Q'ty	SA/SNA	Remark
T0003	BN96-05066D	ASSY COVER P-FRONT;46N87,EO,ABS+PMMA,HB,	1	S.A	
T0175	BN96-04958B	ASSY SPEAKER P;8ohm,Tulip side 46", 50",	1	S.A	
T0447	BN96-04641B	ASSY BRACKET P-PANEL;TULIP SIDE,46,EO	1	S.N.A	
M0215	BN07-00410A	LCD-PANEL;LTA460HT-L01,8bit,46inch,16.7M	1	S.A	
M0014	BN94-01312E	ASSY PCB MAIN-AMLCD;LE46N86BDX/AMLCD	1	S.A	
M0013	BN96-05090A	ASSY COVER P-REAR;TULIP SIDE,46,SESK	1	S.A	
M0027	BN96-05087A	ASSY STAND P-BASE;TULIP SIDE,46,52,-,-,-	1	S.A	