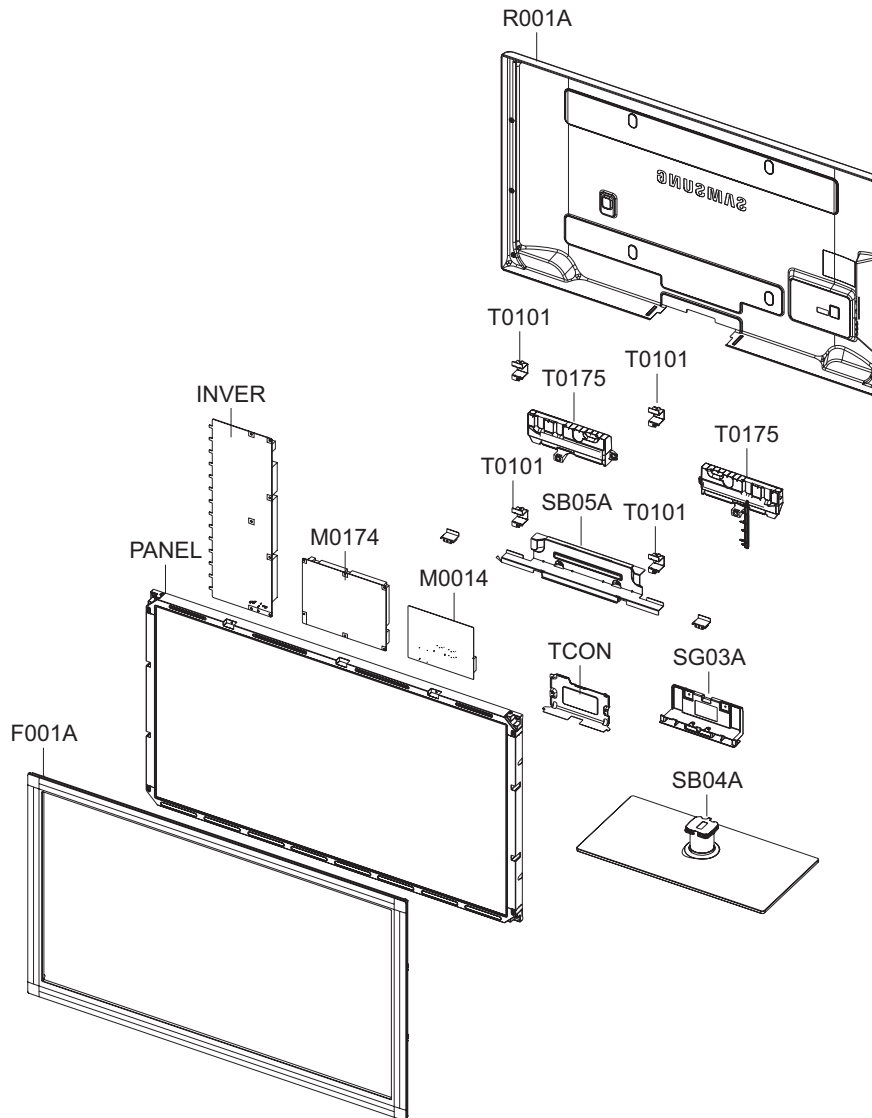


5. Exploded View & Part List

5-1. LE46C750R2W Exploded View



5-1-1. LE46C750R2W Parts List

Location No.	Code No.	Description & Specification	Q'ty	SA/SNA	Remark
F001A	BN96-12781B	ASSY COVER P-FRONT;46,LC750,EO,PC+PC,V2,	1	SA	
PANEL	BN07-00805A	LCD-PANEL;LTF460HQ01,SSEZQS,8bit,46,16.7	1	SA	
TCON	BN81-04160A	A/S-T CON LTF460HQ01;LTF460HQ01	1	SA	
INVER	BN81-04176A	A/S-BB-L LTF460HQ01;LTF460HQ01	1	SNA	
M0174	BN44-00341A	AC VSS(I)-TV;PSIV281510A,I46F1_ASM,14mA,	1	SA	
M0014	BN94-03388B	ASSY PCB MAIN;LE46C750R2WX*	1	SA	
SB05A	BN96-13342F	ASSY BRACKET P-STAND LINK;LC530,37/40/46	1	SNA	
T0101	BN61-05997A	BRACKET-WALL;LC650 46,SECC,T1.6	4	SNA	
T0175	BN96-12837B	ASSY SPEAKER P;6ohm,4pin,10W,L:630 R:290	1	SA	
R001A	BN96-14017G	ASSY COVER P-REAR;46,LC750,EO,PCM,T0.5,B	1	SA	
SG03A	BN96-13961B	ASSY STAND P-GUIDE;40,46,LC750,W/W,PC+G/	1	SA	
SB04A	BN96-13133E	ASSY STAND P-BASE;46/55,FOUR-LEG,PC+ABS,	1	SA	

5-2. LE46C750R2W Parts List

Service Bom (SA: SERVICE AVAILABLE, SNA: SERVICE NOT AVAILABLE)

Level	Location No.	Code No.	Description & Specification	Q'ty	SA/SNA	Remark
			LE46C750R2ZXZG			
0.1		BN90-02457A	ASSY COVER FRONT;46,LC750,EO	1	SNA	
..2	F001A	BN96-12781B	ASSY COVER P-FRONT;46,LC750,EO,PC+PC,V2,	1	SA	
...3	M0081	6003-001003	SCREW-TAPTYPE;BH,+,B,M4,L12,ZPC(BLK),SWR	1	SA	
...3	AB326	BN61-04661A	BRACKET-STOPPER;L650,SK-5,T0.4,Plating,H	4	SNA	
...3	CCM1	BN63-05199B	COVER-SHEET;AMBER,PE,T0.08,W65mm,200M,CL	1.15	SNA	
...3	CCM1	BN63-05199C	COVER-SHEET;AMBER,PE,T0.08,W55mm,200M,CL	2.55	SNA	
...3	F001	BN63-06417B	COVER-FRONT;46,LC750,EO,PC+PC,V2,TP0010+	1	SNA	
...4		0103-007268	RESIN-PC;TP0010,2.0V0,NH PC,NH PC 2.0 V2	900	SNA	
...4		0103-007269	RESIN-PC;GY0132,2.0V0,NH PC,NH PC 2.0 V2	800	SNA	
...3		BN96-12757B	ASSY HOLDER P-BOSS BOTTOM;40,46,55,LC650	1	SNA	
...4		BN61-04731A	BOSS-TAPE;AMBER,ACRYL,T1.1,W8.0mm,WHITE	0.41	SNA	
...4		BN61-05983B	HOLDER-BOSS BOTTOM;40,46,55,LC650,ABS,HB	1	SNA	
....5		0103-004612	RESIN-ABS;BK0020,HB,ABS,High Flow ABS	115	SNA	
...3		BN74-00052A	TAPE-PAPER;LB530,Crepe Paper,0.17mm, 10m	0.05	SNA	
...3	FB26A	BN96-14262B	ASSY BOARD P-TOUCH FUNCTION&POWER IR;LC7	1	SA	
...3		BN60-00163D	SPACER-FOAM;LC650-46",FOAM,590,0.5,25,Bo	2	SNA	
...3		BN60-00163J	SPACER-FOAM;LC650-46",FOAM,1024,T 0.5,20	1	SNA	
...3		BN60-00162E	SPACER-FOAM;FOAM,50000mm,Dark Gray,0.5T,	0.36	SNA	
..2	T0175	BN96-12837B	ASSY SPEAKER P;6ohm,4pin,10W,L:630 R:290	1	SA	
0.1	S001A	BN90-02492A	ASSY STAND;46,LC750,EO,FOUR-LEG	1	SNA	
..2	SG03A	BN96-13961B	ASSY STAND P-GUIDE;40,46,LC750,W/W,PC+G/	1	SA	
...3	T0524	6902-001048	BAG PE;LDPE,T0.05,W160,L300,TRP,4g	1	SNA	
...3	T0920	BN61-06003A	GUIDE-STAND;37,40,46,LC650,PC+G/F,20%,V2	1	SNA	
...4		0103-007285	RESIN-PC;MW32020GFU,BK0007,2.0 V2,PC/GF2	478	SNA	
...3		BN68-02821B	MANUAL FLYER-STAND GUIDE;L750,SAMSUNG,W/	1	SNA	
...3		BN96-12031K	ASSY ACCESSORY-SCREW;LC750,6003-001003,4	1	SNA	
...4	M0081	6003-000133	SCREW-TAPTYPE;BH,+,-,S,M4,L8,ZPC(BLK),SW	4	SA	
...4	M0081	6003-001003	SCREW-TAPTYPE;BH,+,B,M4,L12,ZPC(BLK),SWR	4	SA	
...4	T0524	6902-000341	BAG PE;LDPE,T0.05,L90,W70,TRP,,,PE MARK	1	SNA	
...3	T0527	BN68-00513A	LABEL-E,PASS;ALL MODEL,YUPO(110G),50X15,	1	SNA	
..2	SB04A	BN96-13133E	ASSY STAND P-BASE;46/55,FOUR-LEG,PC+ABS,	1	SA	
...3	M0081	6003-001003	SCREW-TAPTYPE;BH,+,B,M4,L12,ZPC(BLK),SWR	13	SA	
...3	SCREW	6003-001785	SCREW-TAPTYPE;FH,+,B,M4,L8,ZPC(BLK),SWRC	4	SA	
...3		BN61-05240A	HOLDER-SWIVEL RING TOP;LB700 46,POM HB,A	1	SNA	
...3	AB323	BN61-06196A	BRACKET-STAND;46,55 FOUR-LEG,ALDC12,ALDC	1	SNA	
...3		BN61-06200A	BRACKET-STAND, FRONT;46,55 FOUR-LEG,HGI,	2	SNA	
...3		BN61-06204A	BRACKET-STAND, REAR;46,55 FOUR-LEG,HGI,T	2	SNA	
...3		BN61-06331A	HOLDER-SWIVEL RING BOTTOM;UC7K 46/55,POM	1	SNA	
...3		BN63-06582E	COVER-STAND, BASE;46/55,FOUR-LEG,ABS+PC,	1	SNA	
...4		0103-005041	RESIN-PC;V0,PC+ABS	180	SNA	
...3	T0527	BN68-00513A	LABEL-E,PASS;ALL MODEL,YUPO(110G),50X15,	1	SNA	
...3	M0126	BN73-00052E	RUBBER-FOOT;4-LEG,CR RUBBER,T1.5 DIA17,R	4	SNA	
...3		BN74-00031A	GREASE;kanto-kasei FL-955,grease,wht	0.6	SNA	
...3		BN63-06574B	COVER-STAND REAR,R;46/55,FOUR-LEG,ABS+PC	1	SNA	
...3		BN63-06575B	COVER-STAND REAR,L;46/55,FOUR-LEG,ABS+PC	1	SNA	
...3		BN63-06946B	COVER-STAND FRONT;46/55,FOUR-LEG,ABS+PC,	1	SNA	

5. Exploded View & Part List

Level	Location No.	Code No.	Description & Specification	Q'ty	SA/SNA	Remark
...3		BN96-13563A	ASSY BRACKET P-SWIVEL BOT;4-LEG(55),BRKT	1	SNA	
...4		BN61-02428Q	STUD-PEM;PNA,M4,D7,L9.3,ZPC(SIL),SUM24L	4	SNA	
...4		BN61-06269A	BRACKET-SWIVEL BOT;SPC,T 3.0,Zn-Plating,	1	SNA	
...3		BN61-06268A	BRACKET-SWIVEL TOP;SPC,T 3.0,Zn-Plating,	1	SNA	
...3	T0382	BP61-00495C	HOLDER-CARE;PJT,ACRYL-FOAM,T0.25,W30.0mm	0.18	SNA	
...3	CCM1	BN63-05199D	COVER-SHEET;AMBER,PE,T0.08,W75mm,200M,CL	2	SNA	
0.1	R001A	BN90-02760F	ASSY COVER REAR;46,LC750,EO	1	SNA	
..2	M0081	6003-001003	SCREW-TAPTYPE;BH,+,B,M4,L12,ZPC(BLK),SWR	14	SA	
..2	R001A	BN96-14017G	ASSY COVER P-REAR;46,LC750,EO,PCM,T0.5,B	1	SA	
...3	AH358	BN61-06545A	HOLDER-REAR;LC650 37/40/46,PP,BLK	1	SNA	
...3	R001	BN63-06337B	COVER-REAR;46,LC650/630,EO,PCM,T0.5,BLK,	1	SNA	
...3	T0071	BN64-01227C	INLAY-TERMINAL;LC750 40,PS SHEET,T0.5,EO	1	SNA	
...3		BN64-01269A	INLAY-AV;LC650,PS SHEET,T0.5,EO	1	SNA	
...3	T0139	BN65-00003A	CLAMPER BAG;42C7,LDPE,HB,BLK	1	SNA	
...3		BN60-00162C	SPACER-FOAM;FOAM,50000mm,Dark Gray,0.5T,	1.35	SNA	
..2	T0382	BP61-00495C	HOLDER-CARE;PJT,ACRYL-FOAM,T0.25,W30.0mm	0.1	SNA	
0.1		BN91-04900A	ASSY LCD-AMLCD;BN07-00805A	1	SNA	
..2	PANEL	BN07-00805A	LCD-PANEL;LTF460HQ01,SSEZQS,8bit,46,16.7	1	SA	
...3	TCON	BN81-04160A	A/S-T CON LTF460HQ01;LTF460HQ01	1	SA	
...3	INVER	BN81-04176A	A/S-BB-L LTF460HQ01;LTF460HQ01	1	SNA	
0.1		BN91-05087A	ASSY SHIELD;LE46C750R2WX*	1	SNA	
..2	T0081	6001-002284	SCREW-MACHINE;BH,+,M4,L8,ZPC(WHT),SWRCH1	11	SA	
..2	T0081	6001-002604	SCREW-MACHINE;BH,+,M4,L10,ZPC(WHT),SWRCH	2	SA	
..2	M0081	6003-000337	SCREW-TAPTYPE;BH,+,S,M4,L10,ZPC(BLK),SWR	6	SA	
..2	M0081	6003-001003	SCREW-TAPTYPE;BH,+,B,M4,L12,ZPC(BLK),SWR	6	SA	
..2	M0174	BN44-00341A	AC VSS(I)-TV;PSIV281510A,I46F1_ASM,14mA,	1	SA	
...3		BN81-04735A	A/S-FUSE;3.15A 250V,FM801S	1	SA	
...3		BN81-04738A	A/S-FUSE;6.3A 250V,FS801S	1	SA	
...3		BN81-04759A	A/S-MOSFET;FDPF16N50UT,MI801S, MI802S,BN	2	SA	
...3		BN81-04768A	A/S-MOSFET;SD14N60,QP801S, QP802S,BN44-0	2	SA	
...3		BN81-04786A	A/S-PWM CONTROL IC;STR-W6052S,UM801S	1	SA	
..2		BN61-06441A	HOLDER-INLET;LC530,ABS,V0	1	SNA	
...3		0103-004627	RESIN-ABS;VE-0812/K2901,BK0020,V0,ABS,No	18	SNA	
..2	FL06	BN96-12723G	ASSY CABLE P-FPCB LVDS CABLE;240Hz-46inc	1	SA	
..2	M0523	BN96-12974A	ASSY BRACKET P-WALL;46,52,55,LC650,SECC,	4	SNA	
...3	T0101	BN61-05997A	BRACKET-WALL;LC650 46,SECC,T1.6	4	SNA	
...3		BN60-00188A	SPACER-FOAM;LCD,FELT,20,3.0,30,Center :	4	SNA	
..2		BN61-05991A	HOLDER-SIDE AV;40,LC650,EO,PC+ABS,V0,BK0	1	SNA	
...3		0103-005041	RESIN-PC;V0,PC+ABS	21	SNA	
..2	M2893	BN39-01024E	LEAD CONNECTOR;LC5F,UL3239#24,2P,175mm,1	1	SA	
..2	M2893	BN39-01267C	LEAD CONNECTOR;LE37B530,UL 2651 AWG#26,1	1	SA	
..2	M2893	BN39-01279F	LEAD CONNECTOR;LN46C650L1FXZA,UL1061 #28	1	SA	
..2		BN73-00273B	SILICON/RUBBER-GAPPAD;UE32C6500,SILICON+	1	SNA	
..2	SB05A	BN96-13342F	ASSY BRACKET P-STAND LINK;LC530,37/40/46	1	SNA	
...3		BN61-02429K	STUD-PEM;PNB,M3.8,D7,L14.9,ZPC(SIL),SUM2	2	SNA	
...3		BN61-05281A	HOLDER-CLAMP;LCD,NYLON 66,WHT	3	SNA	
...3	M0115	BN61-05998A	BRACKET-STAND LINK;LC650 46,SECC,T1.6	1	SNA	
0.1	M0017	BN91-05216B	ASSY CHASSIS;LE46C750R2WX*	1	SNA	
..2	M0014	BN94-03388B	ASSY PCB MAIN;LE46C750R2WX*	1	SA	
...3		0202-001608	SOLDER-WIRE FLUX;LFC7-107,D0.8,99.3Sn/0.	0.25	SNA	
...3		BN97-04253B	ASSY SMD;LE46C750R2WX*,BN94-03388B	1	SNA	

5. Exploded View & Part List

Level	Location No.	Code No.	Description & Specification	Q'ty	SA/SNA	Remark
...4	DS01A	0401-000116	DIODE-SWITCHING;MMSD914T1,100V,200mA,SOD	7	SA	
...4	DS01A	0401-001056	DIODE-SWITCHING;MMBD4148SE,100V,200mA,SO	14	SA	
...4	D1	0401-001099	DIODE-SWITCHING;1N4148WS,75V,150mA,SOD-3	1	SA	
...4	DR01A	0402-001098	DIODE-RECTIFIER;SK34,40V,3A,SMC,TP	1	SA	
...4		0403-001164	DIODE-ZENER;MMSZ5232B,5.32-5.88V,500MW,S	1	SA	
...4		0403-001783	DIODE-ZENER;BZB84-C6V2,5.8/6.6V,300mW,SO	23	SNA	
...4	D0254	0404-001404	DIODE-SCHOTTKY;BAT721C,40V,200mA,SOT-23,	5	SA	
...4	T0139	0406-001200	DIODE-TVS;RCLAMP0504F,6/-V,150W,SC-70	2	SA	
...4	T0139	0406-001271	DIODE-TVS;RCLAMP0524P,6/-V,150W,SLP251	9	SNA	
...4	AD12	0407-000123	DIODE-SWITCHING;DAN202K,80V,100mA,SOT-23	1	SA	
...4	Q101	0501-000445	TR-SMALL SIGNAL;KTC3875S-Y,NPN,150mW,SOT	12	SA	
...4		0501-000669	TR-SMALL SIGNAL;KTA1505Y,PNP,150mW,SOT-2	1	SA	
...4		0501-002654	TR-SMALL SIGNAL;2PD601ASL,NPN,250mW,SOT-	2	SA	
...4	CEQ2	0505-000110	FET-SILICON;2N7002,N,60V,115mA,7.5ohm,0.	5	SA	
...4	Q409	0505-002386	FET-SILICON;AO3415AL,P,-20V,-4A,0.045ohm	3	SA	
...4	IC104	0801-002630	IC-CMOS LOGIC;74AHCT1G08,2-INPUT AND GAT	1	SA	
...4	ND51C2	0801-002780	IC-CMOS LOGIC;74LVC1G17,SCHMITT-TRIGGER	1	SA	
...4	IC104	0801-003330	IC-CMOS LOGIC;Octal buffer,DQFN,20P,4.5x	2	SA	
...4	IC104	0802-001012	IC-CMOS LOGIC;74LCX245,TRANSCEIVER,DQFN,	1	SNA	
...4		0904-002119	IC-I/O SUPPORT CHIP;PCF8574TS,8Bit,SSOP,	1	SA	
...4		1001-000164	IC-ANALOG MULTIPLEX;74HC4052,CMOS,SOP,16	1	SA	
...4	IC106	1001-001177	IC-VIDEO SWITCH;TEA6425D,VIDEO SWITCH,SO	1	SA	
...4	IC106	1001-001627	IC-VIDEO SWITCH;SI9389CTU,TQFP,100P,14x	1	SA	
...4	IC107	1002-001482	IC-D/A CONVERTER;WM8521H9GED/R,16bit,SOI	1	SA	
...4	IC112	1103-001310	IC-EEPROM;24LC02B,256X8BIT,SOIC,8P,3.91X	1	SNA	
...4	IC112	1103-001475	IC-EEPROM;M24256-BR,256Kbit,32Kx8,SOP,8P	1	SNA	
...4		1105-002049	IC-DDR2 SDRAM;EM68B16CWPA-25H,DDR2 SDRAM	1	SA	
...4		1105-002058	IC-DDR2 SDRAM;K4T1G164QE-HCF8,DDR2,1Gbit	2	SA	
...4		1105-002075	IC-DDR2 SDRAM;K4T1G084QE-HCF8,DDR2,1Gbit	4	SA	
...4		1105-002086	IC-DDR SDRAM;EM6A9320BIA,128MB,LFBGA,144	1	SA	
...4	T0085	1201-002487	IC-AUDIO AMP;MAX9728A,QFN,12P,3x3mm,DUAL	1	SA	
...4	T0124	1201-002992	IC-POWER AMP;STA369BWS,PSSO,36P,10.3x7.5	1	SA	
...4	T0087	1203-002519	IC-POSI.FIXED REG.;KIA7809AF,DPAK,3P,240	1	SA	
...4	IC012	1203-003544	IC-POSI.ADJUST REG.;RT9173BPS,SOP-8,8P,5	2	SA	
...4		1203-004363	IC-VOL. DETECTOR;RT9818C-29PV,SOT-23,3P,	1	SA	
...4		1203-004364	IC-VOL. DETECTOR;RT9818C-42PV,SOT-23,3P,	1	SA	
...4	IC012	1203-004937	IC-POSI.ADJUST REG.;MP2000DJ-ADJ-LF-Z,TS	1	SA	
...4		1203-005538	IC-DC/DC CONVERTER;AOZ1021HAIL,SOP,8P,4.	2	SA	
...4	IC012	1203-005756	IC-POSI.ADJUST REG.;AP7173-SP,SOP-8L-EP,	1	SA	
...4		1203-006012	IC-DC/DC CONVERTER;MP8725EL,QFN14,14P,3x	1	SA	
...4		1203-006013	IC-DC/DC CONVERTER;AOZ1031AI,SO-8,8P,4.9	2	SA	
...4	T0087	1203-006109	IC-POSI.FIXED REG.;S-1206B33-M3T1G,SOT-2	1	SA	
...4	T0087	1203-006130	IC-POSI.FIXED REG.;S-1172B25-U5T1G,SOT-8	1	SA	
...4	T0087	1203-006136	IC-POSI.FIXED REG.;AP1117D-18-GZ-13-89,T	1	SA	
...4	IC012	1203-006138	IC-POSI.ADJUST REG.;AP1117DGZ-13-89,TO-2	1	SA	
...4	T0087	1203-006141	IC-POSI.FIXED REG.;S-1172B33-U5T1G,SOT-8	3	SA	
...4		1203-006167	IC-POSI.FIXED REG.;S-1172B12-U5T1G,SOT-8	1	SA	
...4		1204-003100	IC-DECODER;SDP92,FCPBGAH,937P,35x35mm,PL	1	SA	
...4	IC118	1204-003101	IC-VIDEO PROCESS;SDP94,PBGA,345P,19x19mm	1	SNA	
...4	IC118	1204-003128	IC-VIDEO PROCESS;FRC9459S,FBGA,372P,23x2	1	SNA	
...4		1205-003479	IC-SWITCH;TPS2051BDBVR,SOT-23,5P,2.9x1.6	1	SA	

5. Exploded View & Part List

Level	Location No.	Code No.	Description & Specification	Q'ty	SA/SNA	Remark
...4		1205-003733	IC-SWITCH;AP2191MPG-13,MSOP-8L-EP,8P,2.9	2	SA	
...4		1205-003735	IC-SWITCH;AP2151WG-7,SOT25,5P,2.9x1.6mm,	1	SA	
...4		1205-003834	IC-ETHERNET CONTROLLER;RTL8201E-VC-GR,QF	1	SA	
...4		1205-003840	IC-CODEC;WM8595GEFL/RS,QFN,48P,7x7x0.9mm	1	SA	
...4		1405-001185	VARISTOR;24Vdc,1.6x0.8x0.36mm,TP	1	SA	
...4		1405-001233	VARISTOR;30Vdc,5A,1.6x0.8x0.8mm,TP	40	SA	
...4	PR6	2007-000072	R-CHIP;47ohm,5%,1/10W,TP,1608	4	SNA	
...4	MR604	2007-000137	R-CHIP;2Kohm,5%,1/16W,TP,1005	12	SNA	
...4	R105	2007-000138	R-CHIP;100ohm,5%,1/16W,TP,1005	41	SA	
...4	HDR7	2007-000139	R-CHIP;220ohm,5%,1/16W,TP,1005	1	SNA	
...4	AR49	2007-000140	R-CHIP;1Kohm,5%,1/16W,TP,1005	60	SNA	
...4	R319	2007-000143	R-CHIP;4.7Kohm,5%,1/16W,TP,1005	66	SNA	
...4		2007-000146	R-CHIP;6.8Kohm,5%,1/16W,TP,1005	2	SNA	
...4	R104	2007-000148	R-CHIP;10Kohm,5%,1/16W,TP,1005	31	SA	
...4	MR36	2007-000153	R-CHIP;22Kohm,5%,1/16W,TP,1005	3	SNA	
...4	R509	2007-000170	R-CHIP;1Mohm,5%,1/16W,TP,1005	3	SNA	
...4	R111	2007-000171	R-CHIP;0ohm,5%,1/16W,TP,1005	20	SNA	
...4	HDR17	2007-000172	R-CHIP;10ohm,5%,1/16W,TP,1005	45	SNA	
...4	R338	2007-000173	R-CHIP;22ohm,5%,1/16W,TP,1005	39	SNA	
...4	UR23	2007-000174	R-CHIP;47ohm,5%,1/16W,TP,1005	60	SNA	
...4		2007-000231	R-CHIP;1.3Kohm,1%,1/10W,TP,1608	2	SA	
...4	MR39	2007-000242	R-CHIP;1.5Kohm,5%,1/16W,TP,1005	1	SNA	
...4	UR53	2007-000305	R-CHIP;10Mohm,5%,1/10W,TP,1608	1	SA	
...4	RT01	2007-000483	R-CHIP;1ohm,5%,1/8W,TP,2012	2	SNA	
...4	HR12	2007-000591	R-CHIP;22ohm,1%,1/10W,TP,1608	1	SNA	
...4		2007-000606	R-CHIP;240ohm,1%,1/10W,TP,1608	2	SA	
...4	JR11	2007-000614	R-CHIP;24Kohm,1%,1/10W,TP,1608	2	SNA	
...4	KAR28	2007-000637	R-CHIP;270Kohm,5%,1/10W,TP,1608	1	SNA	
...4	R19	2007-000763	R-CHIP;330ohm,1%,1/10W,TP,1608	1	SNA	
...4	R124	2007-000775	R-CHIP;33Kohm,5%,1/16W,TP,1005	3	SNA	
...4	DR37	2007-000932	R-CHIP;470ohm,5%,1/16W,TP,1005	9	SNA	
...4		2007-001285	R-CHIP;5.6ohm,5%,1/16W,TP,1005	32	SA	
...4	OTR1	2007-001292	R-CHIP;33ohm,5%,1/16W,TP,1005	10	SNA	
...4	CER07	2007-001308	R-CHIP;200ohm,5%,1/16W,TP,1005	3	SNA	
...4	HR10	2007-001320	R-CHIP;1.8Kohm,5%,1/16W,TP,1005	1	SA	
...4	R326	2007-001325	R-CHIP;3.3Kohm,5%,1/16W,TP,1005	3	SNA	
...4		2007-001333	R-CHIP;18Kohm,5%,1/16W,TP,1005	2	SNA	
...4		2007-001335	R-CHIP;36Kohm,5%,1/16W,TP,1005	2	SA	
...4	PR24	2007-002970	R-CHIP;56ohm,5%,1/16W,TP,1005	1	SA	
...4		2007-003022	R-CHIP;62ohm,5%,1/16W,TP,1005	17	SNA	
...4	R133	2007-007004	R-CHIP;12Kohm,1%,1/10W,TP,1608	3	SA	
...4		2007-007008	R-CHIP;300ohm,5%,1/16W,TP,1005	1	SNA	
...4	TR30	2007-007009	R-CHIP;75ohm,5%,1/16W,TP,1005	8	SA	
...4	PR8	2007-007015	R-CHIP;13Kohm,5%,1/16W,TP,1005	1	SNA	
...4	R365	2007-007107	R-CHIP;100Kohm,1%,1/16W,TP,1005	18	SNA	
...4		2007-007132	R-CHIP;15Kohm,1%,1/16W,TP,1005	1	SA	
...4		2007-007134	R-CHIP;39Kohm,1%,1/16W,TP,1005	2	SA	
...4		2007-007136	R-CHIP;4.7Kohm,1%,1/16W,TP,1005	6	SNA	
...4		2007-007137	R-CHIP;1.2Kohm,1%,1/16W,TP,1005	1	SA	
...4		2007-007138	R-CHIP;27Kohm,1%,1/16W,TP,1005	5	SNA	
...4		2007-007139	R-CHIP;47Kohm,1%,1/16W,TP,1005	15	SA	

5. Exploded View & Part List

Level	Location No.	Code No.	Description & Specification	Q'ty	SA/SNA	Remark
...4	DR4	2007-007142	R-CHIP;10Kohm,1%,1/16W,TP,1005	10	SNA	
...4		2007-007156	R-CHIP;1ohm,5%,1/16W,TP,1005	2	SNA	
...4		2007-007197	R-CHIP;3.3ohm,5%,1/16W,TP,1005	1	SNA	
...4		2007-007306	R-CHIP;100ohm,1%,1/16W,TP,1005	17	SNA	
...4		2007-007317	R-CHIP;2.2Kohm,1%,1/16W,TP,1005	4	SA	
...4		2007-007318	R-CHIP;1Kohm,1%,1/16W,TP,1005	30	SNA	
...4		2007-007352	R-CHIP;130Kohm,1%,1/10W,TP,1608	1	SA	
...4		2007-007469	R-CHIP;110ohm,1%,1/16W,TP,1005	1	SNA	
...4	HDR44	2007-007470	R-CHIP;7.5Kohm,1%,1/16W,TP,1005	2	SNA	
...4		2007-007617	R-CHIP;2.49Kohm,1%,1/10W,TP,1608	1	SA	
...4		2007-007697	R-CHIP;2.4Kohm,1%,1/16W,TP,1005	1	SNA	
...4		2007-007698	R-CHIP;5.1Kohm,1%,1/16W,TP,1005	2	SNA	
...4		2007-007724	R-CHIP;40.2ohm,1%,1/10W,TP,1608	2	SA	
...4		2007-007730	R-CHIP;6.8Mohm,1%,1/10W,TP,1608	1	SA	
...4		2007-007947	R-CHIP;36ohm,1%,1/10W,TP,1608	1	SA	
...4	MR11	2007-008015	R-CHIP;75ohm,1%,1/16W,TP,1005	18	SNA	
...4		2007-008263	R-CHIP;3Kohm,1%,1/16W,TP,1005	1	SA	
...4		2007-008275	R-CHIP;30Kohm,1%,1/16W,TP,1005	2	SNA	
...4		2007-008294	R-CHIP;33ohm,1%,1/16W,TP,1005	21	SA	
...4		2007-008391	R-CHIP;6.34Kohm,1%,1/16W,TP,1005	1	SA	
...4		2007-008811	R-CHIP;1.5ohm,5%,1/16W,TP,1005	1	SA	
...4		2007-009853	R-CHIP;1.6Kohm,1%,1/16W,TP,1005	1	SNA	
...4	MR38	2011-001093	R-NETWORK;100ohm,5%,1/16W,L,CHIP,8P,TP,3	1	SA	
...4	ZRN10	2011-001261	R-NETWORK;33ohm,5%,1/16W,L,CHIP,8P,TP,2.	3	SA	
...4	DAR09	2011-001262	R-NETWORK;22ohm,5%,1/16W,L,CHIP,8P,TP,2.	26	SA	
...4		2011-001264	R-NETWORK;10ohm,5%,1/16W,L,CHIP,8P,TP,2.	6	SNA	
...4		2011-001345	R-NETWORK;10Kohm,5%,1/16W,L,CHIP,8P,TP,2	3	SA	
...4	DRP29	2011-001396	R-NETWORK;4.7Kohm,5%,1/16W,L,CHIP,8P,TP,	2	SA	
...4		2011-001449	R-NETWORK;22ohm,5%,1/16W,L,4P,TP,1010	7	SA	
...4		2011-001585	R-NETWORK;47ohm,5%,1/16W,L,CHIP-V,4P,TP,	1	SNA	
...4		2011-001589	R-NETWORK;0ohm,5%,1/16W,L,CHIP-V,4P,TP,1	1	SNA	
...4	AC1	2203-000125	C-CER,CHIP;1.2nF,10%,50V,X7R,TP,1608,-	4	SA	
...4	PC43	2203-000233	C-CER,CHIP;0.1nF,5%,50V,C0G,TP,1005	14	SA	
...4	DC54	2203-000278	C-CER,CHIP;.01nF,0.5pF,50V,C0G,TP,1005	7	SA	
...4	C3	2203-000384	C-CER,CHIP;0.015nF,5%,50V,C0G,1608	2	SNA	
...4	MC302	2203-000425	C-CER,CHIP;.018nF,5%,50V,C0G,TP,1005	6	SA	
...4	C254	2203-000438	C-CER,CHIP;1nF,10%,50V,X7R,TP,1005	22	SA	
...4	C507	2203-000489	C-CER,CHIP;2.2nF,10%,50V,X7R,TP,1005	5	SA	
...4	ZC14	2203-000626	C-CER,CHIP;0.022nF,5%,50V,C0G,1608	2	SNA	
...4	AD480	2203-000679	C-CER,CHIP;0.027nF,5%,50V,C0G,1005	1	SA	
...4	DC25	2203-000812	C-CER,CHIP;.033nF,5%,50V,C0G,TP,1005	14	SA	
...4	CK40B	2203-000838	C-CER,CHIP;0.39nF,5%,50V,C0G,TP,1608	4	SNA	
...4	C132	2203-000854	C-CER,CHIP;0.039nF,5%,50V,C0G,1005	4	SA	
...4	KAC5	2203-001126	C-CER,CHIP;0.68nF,10%,50V,X7R,1608	1	SNA	
...4	AD480	2203-002285	C-CER,CHIP;10nF,10%,50V,X7R,1005	46	SNA	
...4	AD480	2203-002525	C-CER,CHIP;0.56nF,10%,50V,X7R,TP,1005	3	SNA	
...4	C711	2203-002982	C-CER,CHIP;6.8nF,10%,50V,X7R,1005	2	SA	
...4	DC18	2203-005138	C-CER,CHIP;1.8nF,10%,50V,X7R,1005	6	SA	
...4	AAC1	2203-005249	C-CER,CHIP;100nF,10%,50V,X7R,TP,1608	45	SNA	
...4	AD480	2203-005344	C-CER,CHIP;22nF,10%,25V,X7R,TP,1005,-	15	SNA	
...4	PC8	2203-005642	C-CER,CHIP;0.22nF,5%,50V,NP0,1005	1	SNA	

5. Exploded View & Part List

Level	Location No.	Code No.	Description & Specification	Q'ty	SA/SNA	Remark
...4	AD480	2203-005968	C-CER,CHIP;4.7NF,10%,50V,X7R,TP,1005	3	SNA	
...4	AD480	2203-006104	C-CER,CHIP;1000nF,10%,50V,X7R,3225	2	SA	
...4	AD480	2203-006126	C-CER,CHIP;47nF,10%,16V,X7R,1005	8	SNA	
...4	PC11	2203-006141	C-CER,CHIP;1000nF,10%,16V,X5R,1608	5	SNA	
...4	C102	2203-006158	C-CER,CHIP;100nF,10%,16V,X7R,1005	291	SNA	
...4	AD480	2203-006333	C-CER,CHIP;10000nF,20%,16V,X5R,TP,3216	2	SNA	
...4	HE4	2203-006474	C-CER,CHIP;22000nF,20%,6.3V,X5R,2012	7	SA	
...4	HDC11	2203-006562	C-CER,CHIP;1000nF,10%,10V,X5R,TP,1005	48	SNA	
...4	AD480	2203-006636	C-CER,CHIP;220nF,10%,25V,X7R,1608	13	SA	
...4	AD480	2203-006824	C-CER,CHIP;4700nF,10%,10V,X5R,1608	6	SNA	
...4	AD480	2203-006842	C-CER,CHIP;0.47nF,5%,50V,C0G,1005	4	SNA	
...4	AD480	2203-006992	C-CER,CHIP;0.33nF,5%,50V,C0G,TP,1005	2	SNA	
...4	AD480	2203-007132	C-CER,CHIP;10000nF,10%,25V,X7R,TP,3216	16	SA	
...4	AD480	2203-007176	C-CER,CHIP;10000nF,10%,16V,X5R,TP,2012	38	SNA	
...4	AD480	2203-007233	C-CER,CHIP;22000nF,10%,16V,X5R,TP,3216	6	SA	
...4	AD480	2203-007270	C-CER,CHIP;10000nF,10%,10V,X5R,TP,1608	91	SNA	
...4		2503-001051	C-NETWORK;100nFx4,20%,16V,2012	5	SA	
...4	T0052	2703-000125	INDUCTOR-SMD;10uH,10%,2012	8	SA	
...4	T0052	2703-000158	INDUCTOR-SMD;1uH,10%,2012	5	SA	
...4	T0052	2703-000222	INDUCTOR-SMD;560nH,10%,2012	3	SA	
...4	T0052	2703-000296	INDUCTOR-SMD;680nH,10%,1608	1	SA	
...4	T0052	2703-000392	INDUCTOR-SMD;10uH,5%,4532	2	SA	
...4	VL6	2703-000398	INDUCTOR-SMD;10uH,10%,3225	1	SA	
...4	T0052	2703-001239	INDUCTOR-SMD;3.3uH,10%,1608	2	SA	
...4	T0052	2703-002332	INDUCTOR-SMD;330nH,5%,1608	1	SA	
...4	T0052	2703-002557	INDUCTOR-SMD;270NH,5%,1608	3	SNA	
...4	T0052	2703-003150	INDUCTOR-SMD;4.7uH,20%,5050	4	SNA	
...4	T0052	2703-003713	INDUCTOR-SMD;1.5uH,20%,7366	3	SA	
...4	X202	2801-003326	CRYSTAL-SMD;24MHz,30ppm,28-ABX,20pF,50oh	2	SA	
...4	X202	2801-003773	CRYSTAL-SMD;12MHz,30ppm,28-AAN,20pF,50oh	1	SA	
...4	X202	2801-003954	CRYSTAL-SMD;27MHz,30ppm,28-AAN,16pF,50oh	1	SA	
...4	X202	2801-004629	CRYSTAL-SMD;27MHz,20ppm,12pF,50ohm,TP	1	SNA	
...4	X202	2801-004734	CRYSTAL-SMD;25.000000MHz,20ppm,28-AAN,12	1	SA	
...4		2804-001878	OSCILLATOR-CLOCK;49.152MHz,50ppm,10TTL/1	1	SA	
...4	F103	2901-001506	FILTER-EMI SMD;5V,0.13A,0pF,2x1x0.5mm,TP	2	SA	
...4	T0568	3301-001404	BEAD-SMD;30ohm,2012,TP,15.9OHM/30MHz	37	SA	
...4	T0568	3301-002039	BEAD-SMD;26ohm,1608,TP	45	SA	
...4		3701-001591	CONNECTOR-HDMI;19P,2ROW,FEMALE,SMD-S,AU	3	SNA	
...4		3701-001693	CONNECTOR-HDMI;19P,2ROW,FEMALE,SMD-A	1	SA	
...4	AC510	3708-002777	CONNECTOR-FPC/FFC/PIC;82P,0.5mm/0.75mm,S	1	SA	
...4	CN906	3711-007317	CONNECTOR-HEADER;BOX,13P,1R,2.0mm,SMD-A,	1	SA	
...4	HB01A	3711-007336	HEADER-BOARD TO CABLE;BOX,4P,1R,2.5mm,SM	1	SA	
...4	IC125	BN13-00031A	IC ASIC;LUNA,SDP95,400,3.6,-40to+125C,CA	1	SA	
...4		BN97-03979A	ASSY MICOM;KFG8GH6U4M-DIB6,N79A,2009.10.	1	SNA	
....5		1107-001868	IC-NAND FLASH;KFG8GH6U4M-AIB6,1GByte,512	1	SNA	
...4		BN97-04238A	ASSY MICOM;AT24C512BN-SH25-T,N79A,2010.1	1	SNA	
....5	IC112	1103-001406	IC-EEPROM;AT24C512BN-SH25-T,512Kbit,64Kx	1	SNA	
...4		BN97-04240A	ASSY MICOM;T-VALCPLD-0010,2010.04.28	1	SNA	
....5		1301-001969	IC-CPLD;EPM240T100C4N,TQFP,100P,16x16mm,	1	SNA	
...4	DC1	2203-000386	C-CER,CHIP;.015nF,5%,50V,C0G,TP,1005	2	SA	
...4	T0052	2703-003790	INDUCTOR-SMD;4.7uH,20%,8080	2	SA	

5. Exploded View & Part List

Level	Location No.	Code No.	Description & Specification	Q'ty	SA/SNA	Remark
...4		1006-001480	IC-LINE TRANSCEIVER;MAX3222ECAP+T,SSOP,2	1	SA	
...4	FR18	2007-000982	R-CHIP;5.6Kohm,5%,1/16W,TP,1005	1	SA	
...4	T0568	3301-001236	BEAD-SMD;60ohm,1608	3	SNA	
...4		BN97-04473A	ASSY MICOM;T-VAL8DEUS-1005,2010.04.23	1	SNA	
....5	IC520	0903-001651	IC-MICROCONTROLLER;61P802-RG480WT,LQFP,4	1	SNA	
...4		BN41-01423B	PCB MAIN;LC7J,FR-4,4,B,1.2,220*240,N86A	1	SNA	
...4		1203-006142	IC-DC/DC CONVERTER;BD8924G,5P,2.9x1.6x1.	1	SA	
...4	J914	2007-000029	R-CHIP;0ohm,5%,1/8W,TP,2012	1	SC	
...4	KAR21	2007-000070	R-CHIP;0ohm,5%,1/10W,TP,1608	1	SA	
...4		2703-003891	INDUCTOR-SMD;47uH,20%,6060	1	SA	
...4	PR27	2007-000144	R-CHIP;5.1Kohm,5%,1/16W,TP,1005	5	SA	
...4		0202-001477	SOLDER-CREAM;LST309-M,D20~45um,96.5Sn/3A	4.56	SNA	
...3		BN62-00084A	HEAT SINK-ES;LE32C650L1WXXC,A6063,2.5,28	3	SNA	
...3		BN62-00090A	HEAT SINK-ES;LE46C750R2W,A6063,4t,WHITE,	1	SNA	
...3	T0066	BP62-00064B	HEAT SINK-ES;ROBOCOP,A6063,T4.0,40,40,BL	1	SNA	
...3		3701-001480	CONNECTOR-DSUB;15P,3R,FEMAIL,STAMPED PIN	1	SA	
...3	CN906	3707-001096	CONNECTOR-OPTICAL;STRAIGHT W/L,SPDIF	1	SA	
...3		3709-001601	CONNECTOR-CARD SLOT;68P W/L,1.27mm,PCMCIA	1	SA	
...3		3711-007302	HEADER-BOARD TO BOARD;BOX,18P,2R,2mm,ANG	1	SA	
...3		3722-003037	JACK-USB;4P/1C W/L,AU/NI,BLK,ANGLE,A	2	SA	
...3	JA330	3722-003038	JACK-PHONE;7P/1C W/L,SN,BLK	2	SA	
...3	JA333	3722-003040	JACK-PIN;3P W/L,SN,BLK/YEL/WHT/RED,ANGLE	1	SA	
...3	JA333	3722-003052	JACK-PIN;5P+Shield W/L,NI/SN,GN/BL/RD/WH	1	SA	
...3		3722-003058	JACK-MODULAR;8P/8C W/L,Y,STRAIGHT,N,AU,1	1	SA	
...3		3722-003063	JACK-SCART;42P W/L,SN,BLK	1	SA	
...3	CIS3	BN40-00173A	TUNER;DTOS40CVL081A,DVB-T/C,164CH,38.9MH	1	SA	
...3		0202-001463	SOLDER-WIRE;LFC2-W3.0,-,D3,99.79Sn/0.2Cu	4.288	SNA	
...3		0204-002420	SOLVENT;1M-1000,C3H7OH,96	6.63	SNA	
...3		0204-002607	FLUX;DF-234U,13%,14KG,Gravity 0.82	4.311	SNA	
0.1	ACCE1	BN92-05805R	ASSY ACCESSORY;LE46C750R2WXZG	1	SNA	
..2	ACCE2	BN96-13293D	ASSY ACCESSORY-CABLE;LE46C750R2WX*	1	SNA	
...3	T0268	3903-000456	CBF-POWER CORD;DT,EU/KR,CP3,IEC320 C13-R	1	SA	
...3	T0120	4301-000121	BATTERY-MN;1.5V,R03,10.5x44.5m,HOLDER,7.	2	SNA	
...3	REMO2	BN59-01040A	REMOCON;TM1060,SAMSUNG,20PIN SINGLE,49KE	1	SA	
...3		BN61-05596A	HOLDER-WIRE CABLE;LED TV,LDPE,T0.8,L150,	1	SNA	
...3	M9889	BN63-01798B	CLOTH-CLEAN;cloth,180,200,sea blue,ToC	1	SNA	
...3	T0527	BN68-00513A	LABEL-E,PASS;ALL MODEL,YUPO(110G),50X15,	1	SNA	
...3	T0010	BN96-08624A	ASSY HOLDER P;08 PDP MODEL,ABS HB,GRAY	1	SNA	
...4		6902-000683	BAG ZIPPER;LDPE,T0.05,W60,L60,TRP,4-PE M	1	SNA	
...4	T0010	BN61-04529A	HOLDER-RING;ABS, HB,GRAY	4	SNA	
...3	T0524	6902-000110	BAG PE;LDPE,T0.05,W250,L400,TRP,28,2,9.2	1	SNA	
...3	RB01	BN63-06339C	COVER-BOTTOM;37,40,46,LC650,ABS+PC,V0,BK	1	SA	
...4		0103-005041	RESIN-PC;V0,PC+ABS	70	SNA	
..2		BN96-15292A	ASSY ACCESSORY 3D GLASSES;SSG-2100	1	SNA	
...3	3DGLA	BN81-04627A	A/S-GLASSES;SSG-2100AB/ZA,LC LENS,DC,60H	1	SA	
...3		BN81-04817A	BAG-ENVELOPE;CLOTH	1	SNA	
...3		BN81-05816A	A/S-ASSY COVER P-SIDE R;SSG2100,Leg, Hol	1	SA	
...3		BN81-05817A	A/S-ASSY COVER P-SIDE L;SSG2100,Leg, Hol	1	SA	
...3		BN81-05818A	A/S-COVER-BATTERY;3D GLASS,ABS,BLK	1	SA	
..2	ACCE4	BN96-13321S	ASSY ACCESSORY-MANUAL;LE40C750R2WXZG,46	1	SNA	
...3	T0524	6902-000110	BAG PE;LDPE,T0.05,W250,L400,TRP,28,2,9.2	1	SNA	

5. Exploded View & Part List

Level	Location No.	Code No.	Description & Specification	Q'ty	SA/SNA	Remark
...3		AA68-03242V	MANUAL FLYER-SAFETY GUIDE;comm,Samsung,1	1	SNA	
...3	T0527	BN68-00513A	LABEL-E,PASS;ALL MODEL,YUPO(110G),50X15,	1	SNA	
...3		BN68-00514E	MANUAL FLYER-05,WARRANTY CARD;comm,Samsu	1	SNA	
...3		BN68-02186A	MANUAL FLYER-TOC GUIDE;COMM,SAMSUNG,11 L	1	SNA	
...3		BN68-02808H	MANUAL USERS-01;C750,SAMSUNG,4LANGS,ZG,W	1	SNA	
...3		BN68-02977A	MANUAL FLYER-3D GLASSES GUIDE;All,SAMSUN	1	SNA	
...3		BN68-03136D	MANUAL FLYER-AV LEAFLET;C750,SAMSUNG,ENG	1	SNA	
0.1		BN92-06091B	ASSY BOX;46,LC750,EO	1	SNA	
..2		BH68-00662A	LABEL BOX-00;ALL MODEL,MOJO 90G,60,110,W	1	SNA	
..2		BN69-04658J	BOX-SET;46LC750-S,CB,A-01,DW2,ECT50,YEL,	1	SNA	
0.1		BN92-06095F	ASSY P/MATERIAL;46,LC750,3D-GLASS TAPE	1	SNA	
..2		6902-000379	BAG AIR;LDPE,T0.2,W1000,L1800,TRP,1260.0	1	SNA	
..2		6902-001183	BAG PE;HDPE/NITRON,T0.015/T0.5,W1300,L90	1	SNA	
..2	M040	6922-000003	BAND PP;PP,T0.8,W18,L1650M,TRP,DA69-9014	1.67	SNA	
..2		BN68-02422B	LABEL-WARNING SHIPPING;ALL MODEL,A/P 100	1	SNA	
..2		BN69-00257C	PACKING-PAD;PAPER,CB-SW4,1350,830,YEL,36	1	SNA	
..2		BN69-00257E	PACKING-BAG SHEET;-;CB,-,1400,500,-,-,WH	1	SNA	
..2		BN69-03982C	PAD PACKING-EDGE;LB6T,PAPER,8,120,1690,Y	1	SNA	
..2		BN69-04326A	CUSHION-01,SET;46LC750-FS,EPS,16.7g/l	1	SNA	
..2		BN69-04451A	PALLET;-;WOOD,1040,1360,135,14000,-,SESK	1	SNA	
..2		BN69-05418A	PACKING-BAG WRAPPING;-;LDPE,-,0,019,500,	4.07	SNA	
..2		BN74-00008D	TAPE-OPP MASKING;OPP,T0.05,W75,L800M,CLR	3.03	SNA	
0.1		BN92-06096A	ASSY LABEL;LE40C750R2WXXC	1	SNA	
..2		AA68-03752D	LABEL-STICKER;WW,ALL,Art Paper(90g),44.5	1	SNA	
..2	T0527	BP68-00052B	LABEL-00,RATING;CCTV,TETRON PAPER,T0.05,	1	SNA	