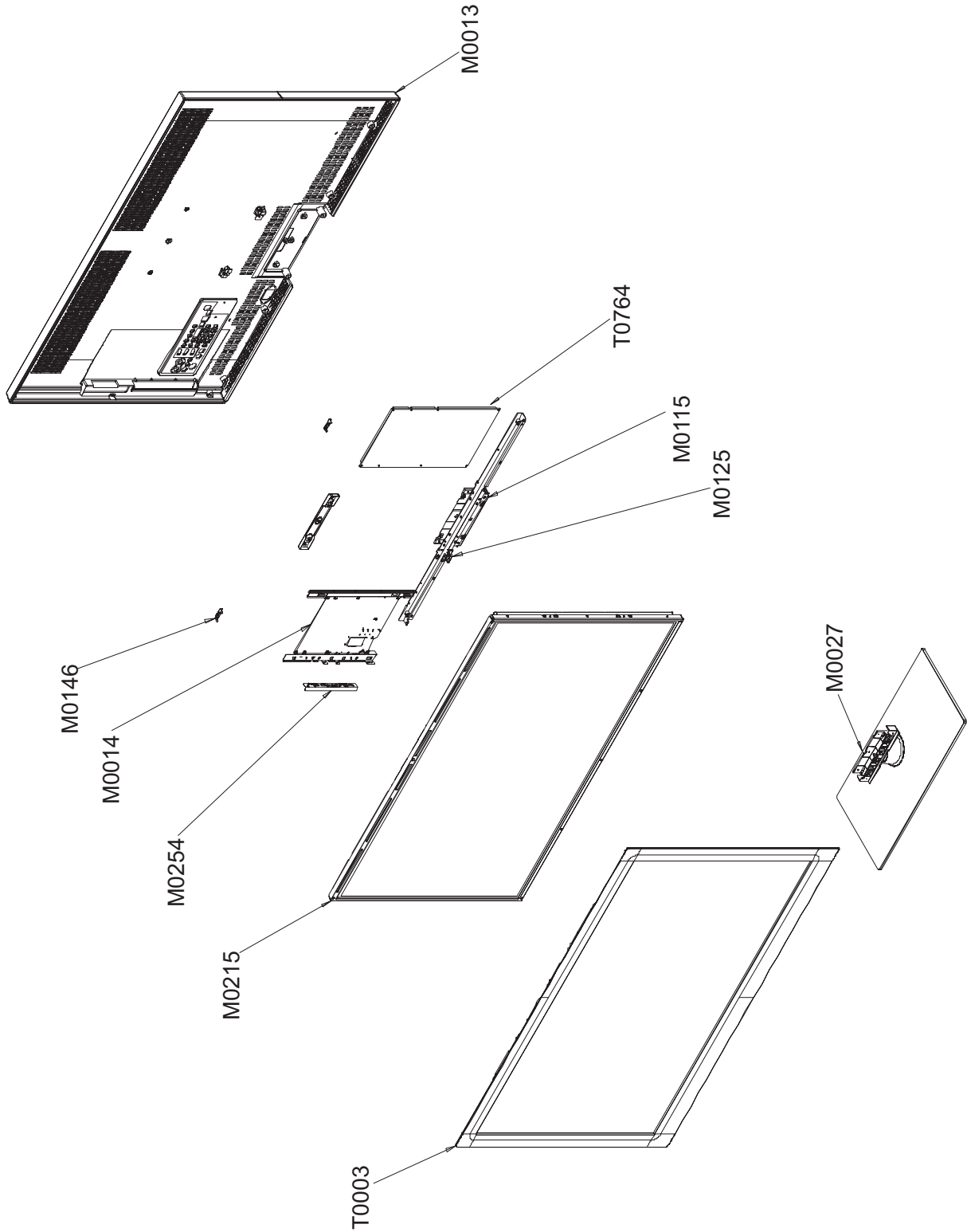


## 5. Exploded View & Part List

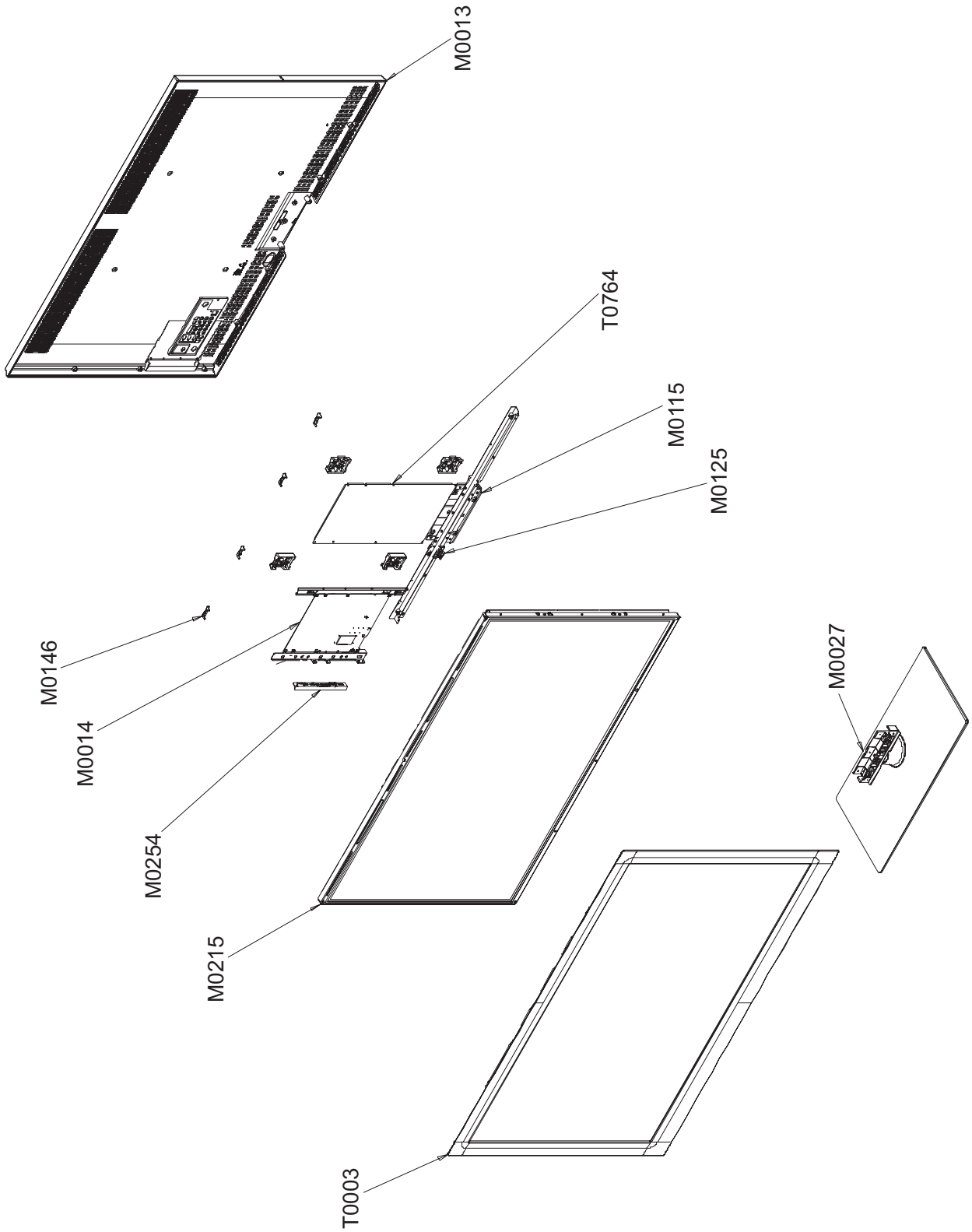
### 5-1. LE40A856S Exploded View



**5-1-1. LE40A856S Parts List**

Location No.	Code No.	Description & Specification	Q'ty	S.A/S.N.A	Remark
T0003	BN96-08567A	ASSY COVER P-FRONT;40L850,EO,PC(CLEAR)+P	1	S.A	
M0215	BN07-00561A	LCD-PANEL;LTF400HC02	1	S.A	
M0254	BN61-04381B	HOLDER-SIDE AV;L850,EO,ABS+PMMA,HB,BK23,	1	S.N.A	
M0014	BN94-02102A	ASSY PCB MAIN;LE40A856S1FXXC	1	S.A	
M0146	BN61-04370A	BRACKET-PANEL SIDE;L850,SECC,T1.2	2	S.N.A	
T0101	BN61-03348A	BRACKET-WALL;LCD TV 32,SECC T1.2,-,-,-,-	2	S.N.A	
M0027	BN96-07292A	ASSY STAND P-BASE;40L850,GLASS	1	S.A	
M0125	BN96-08481B	ASSY INLET P;LN46A850S1FXZA,450mm,AC110V	1	S.A	
M0115	BN61-04375A	BRACKET-STAND LINK;46/52L850,SECC,T1.6	1	S.N.A	
T0764	BN44-00245A	SMPS-LCDTV;SC4014,SC4014,AC/DC,206W,AC10	1	S.A	
M0013	BN96-08569A	ASSY COVER P-REAR;40L850,EO,PC+ABS,V0,BK	1	S.A	

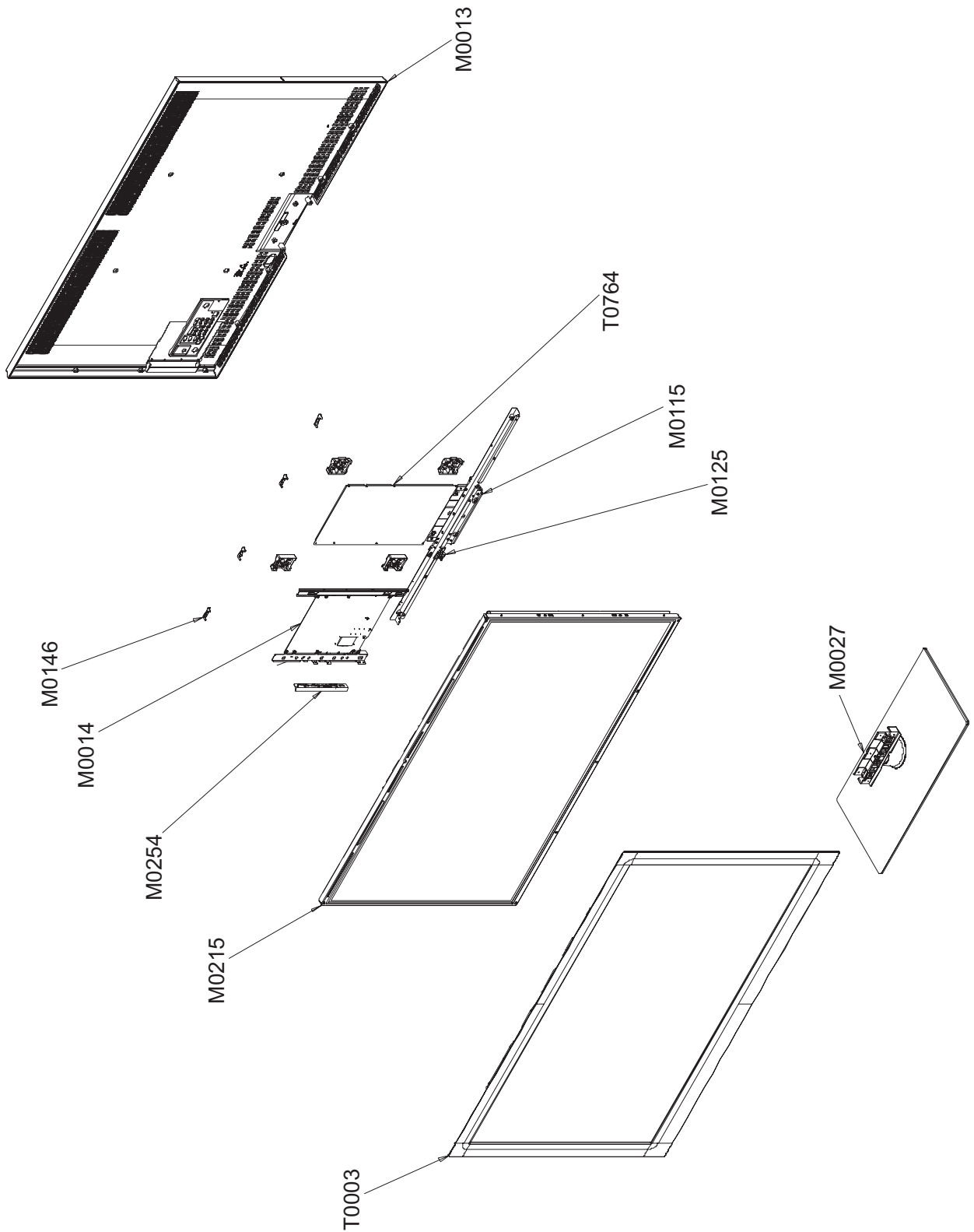
## 5-2. LE46A856S Exploded View



**5-2-1. LE46A856S Parts List**

Location No.	Code No.	Description & Specification	Q'ty	S.A/S.N.A	Remark
T0003	BN96-08561B	ASSY COVER P-FRONT;46L850,EO(iDTV),PC(CL	1	S.A	
M0215	BN07-00562A	LCD-PANEL;LTF400HC02	1	S.A	
M0254	BN61-04381B	HOLDER-SIDE AV;L850,EO,ABS+PMMA,HB,BK23,	1	S.N.A	
M0014	BN94-02102B	ASSY PCB MAIN;LE46A856S1FXXC	1	S.A	
M0146	BN61-04370A	BRACKET-PANEL SIDE;L850,SECC,T1.2	2	S.N.A	
T0101	BN61-03348A	BRACKET-WALL;LCD TV 32,SECC T1.2,-,-,-,-	2	S.N.A	
M0027	BN96-07302A	ASSY STAND P-BASE;46L850,GLASS	1	S.A	
M0125	BN96-08481B	ASSY INLET P;LN46A850S1FXZA,450mm,AC110V	1	S.A	
M0115	BN61-04375A	BRACKET-STAND LINK;46/52L850,SECC,T1.6	1	S.N.A	
T0764	BN44-00242A	SMPS-LCDTV;SC4614,SC4614,AC/DC,233W,AC10	1	S.A	
M0013	BN96-08577A	ASSY COVER P-REAR;46L850,EO(iDTV),PC+ABS	1	S.A	

### 5-3. LE52A856S Exploded View



**5-3-1. LE52A856S Parts List**

Location No.	Code No.	Description & Specification	Q'ty	S.A/S.N.A	Remark
T0003	BN96-08568B	ASSY COVER P-FRONT;52L850,EO(iDTV),PC(CL	1	S.A	
M0215	BN07-00563A	LCD-PANEL;LTF520HE04	1	S.A	
M0254	BN61-04381B	HOLDER-SIDE AV;L850,EO,ABS+PMMA,HB,BK23,	1	S.N.A	
M0014	BN94-02102C	ASSY PCB MAIN;LE52A856S1FXXC	1	S.A	
M0146	BN61-04370A	BRACKET-PANEL SIDE;L850,SECC,T1.2	2	S.N.A	
M0027	BN96-08591A	ASSY STAND P-BASE;52L850,GLASS	1	S.A	
M0125	BN96-08481C	ASSY INLET P;LN52A850S1FXZA,200mm,AC110V	1	S.A	
M0115	BN61-04375A	BRACKET-STAND LINK;46/52L850,SECC,T1.6	1	S.N.A	
T0764	BN44-00240A	SMPS-LCDTV;SC5214,LN52A690A4F,AC/DC,320W	1	S.A	
M0013	BN96-08585A	ASSY COVER P-REAR;52L850,EO(iDTV),PC+ABS	1	S.A	

## 5-4. LE40A856S Parts List

Level	Location No.	Code No.	Description & Specification	Q'ty	SA/SNA	Remark
		LE40A856S1MXXQ	LE40A856S1M,N59E/40AS1-GPH,40,LCD-TV,SPA			
0.1	M0001	BN90-01768A	ASSY COVER FRONT;40L850,EO	1	S.N.A	
..2	T0003	BN96-08567A	ASSY COVER P-FRONT;40L850,EO,PC(CLEAR)+P	1	S.A	
...3	M0081	6003-001188	SCREW-TAPTITE;BH,+,-,B,M4,L10,ZPC(WHT),S	4	S.A	
...3	M0081	6003-001188	SCREW-TAPTITE;BH,+,-,B,M4,L10,ZPC(WHT),S	1	S.A	
...3	M0081	6003-001188	SCREW-TAPTITE;BH,+,-,B,M4,L10,ZPC(WHT),S	2	S.A	
...3	M0081	6003-001188	SCREW-TAPTITE;BH,+,-,B,M4,L10,ZPC(WHT),S	1	S.A	
...3	T0069	AA63-60122B	SPACER-FELT;FELT,BLK,T0.5,530*17	2	S.N.A	
...3	T0069	BN60-00027G	SPACER-FELT;L650-40,FELT,890,0.5,20	2	S.N.A	
...3	T0456	BN63-02138A	FELT-CUSHION;50P5,FELT,T0.5,15,65	1	S.N.A	
...3	CCM1	BN63-02183E	COVER-SHEET;Rhcm,PE Vinyl,T0.05,750mm,20	0.814	S.N.A	
...3	M0112	BN63-04824B	COVER-FRONT;40L850,EO(IDTV),PC(CLEAR)+PC	1	S.N.A	
...4		BN81-00116D	RESIN-TOC;PC V0,TTP01,CLR,TN-1030(NP),TH	0.843	S.N.A	
...4		BN81-00116U	RESIN-TOC;PC V1, TRD03,Light Rose Black,	0.669	S.N.A	
...3		BN64-00946A	INDICATOR-LED LIGHTING;L850,PC CLR	1	S.N.A	
...3	M0125	BN96-07702C	ASSY BOARD P-FUNCTION LED&IR&H;LN46A750R	1	S.A	
...3	M0175	BN96-08124A	ASSY BOARD P-TOUCH FUNCTION;LN46A750R1,C	1	S.A	
...3		BN96-08570A	ASSY HOLDER P-BOSS TOP;40L850,HIPS,HB,BK	1	S.N.A	
...4		BN61-03261F	BOSS-TAPE;Amber,ACRYL,T1.1,W8mm,GRAY,TAP	0.558	S.N.A	
...4		BN61-04388A	HOLDER-BOSS TOP;40L850,HIPS HB,BK500	1	S.N.A	
....5		BN81-00199H	RESIN;HIPS HB,BK500,HF-1690H,K2901	0.137	S.N.A	
...3		BN96-08573A	ASSY HOLDER P-BOSS SIDE;40L850,HIPS,HB,B	2	S.N.A	
...4		BN61-03261F	BOSS-TAPE;Amber,ACRYL,T1.1,W8mm,GRAY,TAP	0.562	S.N.A	
...4		BN61-04389A	HOLDER-BOSS SIDE;40L850,HIPS HB,BK500	1	S.N.A	
....5		BN81-00199H	RESIN;HIPS HB,BK500,HF-1690H,K2901	0.1	S.N.A	
...3		BN96-08574A	ASSY HOLDER P-BOSS BOTTOM;40L850,HIPS,HB	1	S.N.A	
...4		BN61-03261A	BOSS-TAPE;Tulip,ACRYL,T1.1,W12mm,GRAY,TA	0.093	S.N.A	
...4		BN61-03261C	BOSS-TAPE;Tulip,ACRYL,T1.1,W24mm,GRAY,TA	0.696	S.N.A	
...4		BN61-04387A	HOLDER-BOSS BOTTOM;40L850,HIPS HB,BK500	1	S.N.A	
....5		BN81-00199H	RESIN;HIPS HB,BK500,HF-1690H,K2901	0.302	S.N.A	
...3	T0069	BP60-00015L	SPACER-FELT;56K7,FELT,L610,BLK,T0.5,W20	6	S.N.A	
0.1	M0002	BN90-01770A	ASSY COVER REAR;40L850,EO	1	S.N.A	
..2	T0081	6002-001294	SCREW-TAPPING;BH,+,,M4,L16,ZPC(BLK)	14	S.A	
..2	T0081	6002-001294	SCREW-TAPPING;BH,+,,M4,L16,ZPC(BLK)	1	S.A	
..2	M0013	BN96-08569A	ASSY COVER P-REAR;40L850,EO,PC+ABS,V0,BK	1	S.A	
...3	M0081	6003-001188	SCREW-TAPTITE;BH,+,-,B,M4,L10,ZPC(WHT),S	2	S.A	
...3	T0101	BN61-03348A	BRACKET-WALL;LCD TV 32,SECC T1.2,-,-,-	2	S.N.A	
...3	CCM1	BN63-02183E	COVER-SHEET;Rhcm,PE Vinyl,T0.05,750mm,20	1	S.N.A	
...3	M0006	BN63-04821B	COVER-REAR;40L850,EO(IDTV),PC+ABS,V0,BK2	1	S.N.A	
...4		BN81-00204P	RESIN-HIGH GLOSS;SF-0505,K21294,ABS HB P	2.77	S.N.A	
...3	T0071	BN64-00944A	INLAY-TERMINAL;L850,PS SHEET,T0.3,-,-,H/	1	S.N.A	
...3	T0064	BN65-00002A	CLAMPER CORE;BORDEAUX,LDPE,-,-,BLK,-	1	S.N.A	
0.1	M0216	BN90-01772A	ASSY STAND;40L850	1	S.N.A	
..2	T0081	6002-001294	SCREW-TAPPING;BH,+,,M4,L16,ZPC(BLK)	5	S.A	
..2	M0027	BN96-07292A	ASSY STAND P-BASE;40L850,GLASS	1	S.A	

5. Exploded View & Part List

Level	Location No.	Code No.	Description & Specification	Q'ty	SA/SNA	Remark
...3	T0081	6002-001294	SCREW-TAPPING;BH,+,,M4,L16,ZPC(BLK)	4	S.A	
...3	T0081	6002-001294	SCREW-TAPPING;BH,+,,M4,L16,ZPC(BLK)	4	S.A	
...3		BN61-02533A	HOLDER-SWIVEL RING;46M7 EO,ACETAL,NATUAL	1	S.N.A	
...3		BN61-04374A	BRACKET-STAND BASE;40,46,52L850,SECC,T2.	1	S.N.A	
...3		BN61-04428B	BOSS-TAPE;ACRYL,T0.4,W20.0mm,WHITE	0.32	S.N.A	
...3	T0920	BN61-04436A	GUIDE-STAND;L850,PC+GF 20%,BLK	1	S.N.A	
...4		BN81-00204H	RESIN;Trirex,3025G20 BK,ABS+PC G/F 20%,4	0.363	S.N.A	
...3		BN61-04437A	BRACKET-STAND SUB;40,46,52L850,SECC,T3.0	1	S.N.A	
...3		BN61-04438A	BRACKET-HINGE SWIVEL;40,46,52L850,SECC,T	1	S.N.A	
...3		BN61-04439A	HOLDER-SWIVEL RING;40,46,52L850,ACETAL	1	S.N.A	
...3		BN63-04927A	COVER-STAND NECK;L850,HIPS,HB,BK500,SE-1	1	S.N.A	
...4		BN81-00199H	RESIN;HIPS HB,BK500,HF-1690H,K2901	0.05	S.N.A	
...3		BN63-04928A	COVER-STAND SUB;L850,ABS+PMMA,HB,RD02,GL	1	S.N.A	
...4		BN81-01328A	RESIN;STAREX,SF0505,(40297),RD02,ABS+PMM	0.03	S.N.A	
...3	T0132	BN73-00181A	RUBBER FOOT;RUBY,CR Rubber,PI 25,T3.5,BL	4	S.N.A	
...3	M0003	BN96-08792A	ASSY COVER P-STAND GLASS;40,L850,TEMPERE	1	S.A	
...4	CCM1	BN63-02183F	COVER-SHEET;Rhcm,PE Vinyl,T0.05,900mm,20	0.45	S.N.A	
...4		BN63-04813A	COVER-STAND GLASS;40L850,GLASS,T8.0	1	S.N.A	
...3	CIS4	BP73-00001A	RUBBER-SHEET;42W5,NBB RUBBER,GRAY,10*20	2	S.N.A	
0.1	M0112	BN91-02594A	ASSY SHIELD;LE40A856S1FXXC	1	S.N.A	
.2	M0081	6003-000115	SCREW-TAPTITE;BH,+ ,B,M3,L6,ZPC(BLK),SWRC	6	S.A	
.2	M0081	6003-000269	SCREW-TAPTITE;BH,+,-,S,M3,L6,ZPC(WHT),SW	4	S.N.A	
.2	M0081	6003-000269	SCREW-TAPTITE;BH,+,-,S,M3,L6,ZPC(WHT),SW	8	S.N.A	
.2	M0081	6003-000337	SCREW-TAPTITE;BH,+ ,S,M4,L10,ZPC(BLK),SWR	3	S.A	
.2	M0081	6003-000337	SCREW-TAPTITE;BH,+ ,S,M4,L10,ZPC(BLK),SWR	2	S.A	
.2	M0081	6003-000337	SCREW-TAPTITE;BH,+ ,S,M4,L10,ZPC(BLK),SWR	2	S.A	
.2	M0081	6003-000337	SCREW-TAPTITE;BH,+ ,S,M4,L10,ZPC(BLK),SWR	2	S.A	
.2	M0081	6003-000337	SCREW-TAPTITE;BH,+ ,S,M4,L10,ZPC(BLK),SWR	2	S.A	
.2	M0081	6003-001188	SCREW-TAPTITE;BH,+,-,B,M4,L10,ZPC(WHT),S	4	S.A	
.2	M0081	6003-001188	SCREW-TAPTITE;BH,+,-,B,M4,L10,ZPC(WHT),S	1	S.A	
.2	M0081	6003-001188	SCREW-TAPTITE;BH,+,-,B,M4,L10,ZPC(WHT),S	2	S.A	
.2	M0081	6003-001188	SCREW-TAPTITE;BH,+,-,B,M4,L10,ZPC(WHT),S	2	S.A	
.2	M0081	6003-001188	SCREW-TAPTITE;BH,+,-,B,M4,L10,ZPC(WHT),S	4	S.A	
.2	M0081	6003-001439	SCREW-TAPTITE;BH,+,-,S,M4,L8,ZPC(WHT),SW	1	S.N.A	
.2	T0562	6046-001015	STAND OFF;#4-40,L5,Ni PLT,C3601,M3	2	S.N.A	
.2	M2893	BN39-01099A	LEAD CONNECTOR;Amber,UL1007#26,UL/CSA,30	1	S.A	
.2	M2893	BN39-01118A	LEAD CONNECTOR;LN46A850S1FXZA,UL2464#26,	1	S.A	
.2	T0764	BN44-00245A	SMPS-LCDTV;SC4014,SC4014,AC/DC,206W,AC10	1	S.A	
.2		BN61-04118A	BRACKET-GUIDE MAIN L;L650- SLIM,52,SECC,	1	S.N.A	
.2	M0146	BN61-04370A	BRACKET-PANEL SIDE;L850,SECC,T1.2	2	S.N.A	
.2	T0101	BN61-04372A	BRACKET-WALL;40L850,SECC,T1.2	1	S.N.A	
.2		BN61-04373A	BRACKET-PANEL BOTTOM;40L850,SECC,T1.6	1	S.N.A	
.2	M0115	BN61-04375A	BRACKET-STAND LINK;46/52L850,SECC,T1.6	1	S.N.A	
.2		BN61-04376A	BRACKET-GUIDE MAIN R;L850,SECC,T1.2	1	S.N.A	
.2	M0254	BN61-04381B	HOLDER-SIDE AV;L850,EO,ABS+PMMA,HB,BK23,	1	S.N.A	
...3		BN81-00204P	RESIN-HIGH GLOSS;SF-0505,K21294,ABS HB P	0.017	S.N.A	
.2	M0107	BN63-04887A	SHIELD-COVER;L850,PCM,T0.5	1	S.N.A	
.2	T0175	BN96-08430A	ASSY SPEAKER P;8ohm,4pin,L850,10W	1	S.A	
.2	M0125	BN96-08481B	ASSY INLET P;LN46A850S1FXZA,450mm,AC110V	1	S.A	
.2	T0136	BN31-00019F	FAN;RUBY2,PBTP	1	S.A	



## 5. Exploded View &amp; Part List

Level	Location No.	Code No.	Description & Specification	Q'ty	SA/SNA	Remark
.2	T0136	BN31-00019G	FAN;LN40A850S1FXZA,PBTP	1	S.A	
.2	M0250	BN96-08479F	ASSY CABLE P-FFC LVDS;LE55A956D1F,FFC,11	1	S.A	
0.1	M0017	BN91-02603A	ASSY CHASSIS;LE40A856S1FXXC	1	S.N.A	
.2	M0014	BN94-02102A	ASSY PCB MAIN;LE40A856S1FXXC	1	S.A	
...3	T0245	0202-001608	SOLDER-WIRE FLUX;LFC7-107,D0.8,99.3Sn/0.	1	S.N.A	
...3	CN3013_NSI	3701-001388	CONNECTOR-HDMI;20P,Phosphor Bronze,ANGLE	1	S.A	
...3	CN3018	3701-001510	CONNECTOR-DSUB;15P,3R,FEMAIL,STAMPED PIN	1	S.A	
...3	CN906	3707-001081	CONNECTOR-OPTICAL;STRAIGHT,SPDIF	1	S.A	
...3	JA1201	3709-001508	CONNECTOR-CARD SLOT;68P,1.27mm,PIN,PCMC1	1	S.A	
...3	CN330	3711-000058	HEADER-BOARD TO CABLE;BOX,4P,1R,2.5MM,AN	1	S.A	
...3	CN330	3711-000754	HEADER-BOARD TO CABLE;BOX,20P,2R,2.54mm,	1	S.A	
...3	CN330	3711-003848	HEADER-BOARD TO CABLE;BOX,11P,1R,2mm,ANG	1	S.A	
...3	CN1001	3711-005884	HEADER-BOARD TO BOARD;BOX,30P,2R,2mm,ANG	1	S.A	
...3	JA330	3722-001055	JACK-PHONE;5P/2C,AG,BLK,ANGLE	1	S.A	
...3	JA332	3722-001734	JACK-VHS;4P,SN,BLK,STRAIGHT	1	S.A	
...3	CN9002_NSI	3722-002546	JACK-USB;4P/1C,AU,BLK,ANGLE,A type	1	S.N.A	
...3	JA333	3722-002728	JACK-PIN;3P, SHIELD,Ni,RED/WHT/YEL,ANGLE	1	S.A	
...3	JA333	3722-002751	JACK-PIN;2P+Shield,Ni,WHT/RED,STRAIGHT	1	S.A	
...3	JA333	3722-002751	JACK-PIN;2P+Shield,Ni,WHT/RED,STRAIGHT	1	S.A	
...3	JA333	3722-002754	JACK-PIN;3P+Shield,Ni,GRN/BLU/RED,STRAIG	1	S.A	
...3	JA9001	3722-002757	JACK-MODULAR;8P/8C,N,STRAIGHT,GRN/YEL,AU	1	S.A	
...3	JA330	3722-002758	JACK-PHONE;1P,BLK,STRAIGHT	1	S.A	
...3	JA330	3722-002758	JACK-PHONE;1P,BLK,STRAIGHT	1	S.A	
...3	CN3001	3722-002778	JACK-SCART;21P,SN,BLK	1	S.A	
...3	CN3002	3722-002778	JACK-SCART;21P,SN,BLK	1	S.A	
...3	CIS3	BN40-00126A	TUNER;DNOS403SH101A(S),DNOS403SH101A(S),	1	S.A	
...3	HDCP	BN97-00688B	ASSY HDCP;MT8202 IC HDCP Key'	1	S.N.A	
...4		BN46-00018A	KEY CODE-CERTIFICATE;(HDCP KEY)PPM42M5S,	1	S.N.A	
...3	T0174	BN97-02514A	ASSY SMD;LE40A856S1FXXC	1	S.N.A	
...4	SUB05	0202-001477	SOLDER-CREAM;LST309-M,-,D20~45um,96.5Sn/	1	S.N.A	
...4	D1004	0401-001056	DIODE-SWITCHING;MMBD4148SE,100V,200mA,SO	1	S.A	
...4	D3009	0401-001056	DIODE-SWITCHING;MMBD4148SE,100V,200mA,SO	1	S.A	
...4	D3010	0401-001056	DIODE-SWITCHING;MMBD4148SE,100V,200mA,SO	1	S.A	
...4	D3011	0401-001056	DIODE-SWITCHING;MMBD4148SE,100V,200mA,SO	1	S.A	
...4	D3019	0401-001056	DIODE-SWITCHING;MMBD4148SE,100V,200mA,SO	1	S.A	
...4	D3020	0401-001056	DIODE-SWITCHING;MMBD4148SE,100V,200mA,SO	1	S.A	
...4	D3021	0401-001056	DIODE-SWITCHING;MMBD4148SE,100V,200mA,SO	1	S.A	
...4	D3023	0401-001056	DIODE-SWITCHING;MMBD4148SE,100V,200mA,SO	1	S.A	
...4	D3024	0401-001056	DIODE-SWITCHING;MMBD4148SE,100V,200mA,SO	1	S.A	
...4	D3026	0401-001056	DIODE-SWITCHING;MMBD4148SE,100V,200mA,SO	1	S.A	
...4	D3032	0401-001056	DIODE-SWITCHING;MMBD4148SE,100V,200mA,SO	1	S.A	
...4	D3044	0401-001056	DIODE-SWITCHING;MMBD4148SE,100V,200mA,SO	1	S.A	
...4	D3050	0401-001056	DIODE-SWITCHING;MMBD4148SE,100V,200mA,SO	1	S.A	
...4	D3051	0401-001056	DIODE-SWITCHING;MMBD4148SE,100V,200mA,SO	1	S.A	
...4	D3052	0401-001056	DIODE-SWITCHING;MMBD4148SE,100V,200mA,SO	1	S.A	
...4	D3057_4HDM	0401-001056	DIODE-SWITCHING;MMBD4148SE,100V,200mA,SO	1	S.A	
...4	D3058_4HDM	0401-001056	DIODE-SWITCHING;MMBD4148SE,100V,200mA,SO	1	S.A	
...4	D3060	0401-001056	DIODE-SWITCHING;MMBD4148SE,100V,200mA,SO	1	S.A	
...4	D3061	0401-001056	DIODE-SWITCHING;MMBD4148SE,100V,200mA,SO	1	S.A	
...4	D4004_CEC	0401-001056	DIODE-SWITCHING;MMBD4148SE,100V,200mA,SO	1	S.A	

5. Exploded View & Part List

Level	Location No.	Code No.	Description & Specification	Q'ty	SA/SNA	Remark
...4	D5004	0401-001056	DIODE-SWITCHING;MMBD4148SE,100V,200mA,SO	1	S.A	
...4	D5005	0401-001056	DIODE-SWITCHING;MMBD4148SE,100V,200mA,SO	1	S.A	
...4	D5006	0401-001056	DIODE-SWITCHING;MMBD4148SE,100V,200mA,SO	1	S.A	
...4	D5010	0401-001056	DIODE-SWITCHING;MMBD4148SE,100V,200mA,SO	1	S.A	
...4	D5011	0401-001056	DIODE-SWITCHING;MMBD4148SE,100V,200mA,SO	1	S.A	
...4	D5012	0401-001056	DIODE-SWITCHING;MMBD4148SE,100V,200mA,SO	1	S.A	
...4	D5013	0401-001056	DIODE-SWITCHING;MMBD4148SE,100V,200mA,SO	1	S.A	
...4	D9003	0401-001056	DIODE-SWITCHING;MMBD4148SE,100V,200mA,SO	1	S.A	
...4	D9004	0401-001056	DIODE-SWITCHING;MMBD4148SE,100V,200mA,SO	1	S.A	
...4	D9005	0401-001056	DIODE-SWITCHING;MMBD4148SE,100V,200mA,SO	1	S.A	
...4	D9006	0401-001056	DIODE-SWITCHING;MMBD4148SE,100V,200mA,SO	1	S.A	
...4	D1008	0401-001099	DIODE-SWITCHING;1N4148WS,75V,150mA,SOD-3	1	S.A	
...4	D1213	0401-001099	DIODE-SWITCHING;1N4148WS,75V,150mA,SOD-3	1	S.A	
...4	D2001	0401-001099	DIODE-SWITCHING;1N4148WS,75V,150mA,SOD-3	1	S.A	
...4	D2002	0401-001099	DIODE-SWITCHING;1N4148WS,75V,150mA,SOD-3	1	S.A	
...4	D2003	0401-001099	DIODE-SWITCHING;1N4148WS,75V,150mA,SOD-3	1	S.A	
...4	D3071	0401-001099	DIODE-SWITCHING;1N4148WS,75V,150mA,SOD-3	1	S.A	
...4	D3072	0401-001099	DIODE-SWITCHING;1N4148WS,75V,150mA,SOD-3	1	S.A	
...4	D3073	0401-001099	DIODE-SWITCHING;1N4148WS,75V,150mA,SOD-3	1	S.A	
...4	D3074	0401-001099	DIODE-SWITCHING;1N4148WS,75V,150mA,SOD-3	1	S.A	
...4	D3075	0401-001099	DIODE-SWITCHING;1N4148WS,75V,150mA,SOD-3	1	S.A	
...4	D3076	0401-001099	DIODE-SWITCHING;1N4148WS,75V,150mA,SOD-3	1	S.A	
...4	D3077	0401-001099	DIODE-SWITCHING;1N4148WS,75V,150mA,SOD-3	1	S.A	
...4	D3078	0401-001099	DIODE-SWITCHING;1N4148WS,75V,150mA,SOD-3	1	S.A	
...4	D3079	0401-001099	DIODE-SWITCHING;1N4148WS,75V,150mA,SOD-3	1	S.A	
...4	D7008	0401-001099	DIODE-SWITCHING;1N4148WS,75V,150mA,SOD-3	1	S.A	
...4	D0254	0402-000553	DIODE-SCHOTTKY;SS24/B240,40V,2000mA,DO-2	1	S.A	
...4	D0254	0402-000553	DIODE-SCHOTTKY;SS24/B240,40V,2000mA,DO-2	1	S.A	
...4	D0254	0402-000553	DIODE-SCHOTTKY;SS24/B240,40V,2000mA,DO-2	1	S.A	
...4	D0254	0402-000553	DIODE-SCHOTTKY;SS24/B240,40V,2000mA,DO-2	1	S.A	
...4	D0254	0402-000553	DIODE-SCHOTTKY;SS24/B240,40V,2000mA,DO-2	1	S.A	
...4	D2004	0403-000002	DIODE-ZENER;VLZ5V6B,5.45/5.73V,500mW,SOD	1	S.A	
...4	D3007	0403-000002	DIODE-ZENER;VLZ5V6B,5.45/5.73V,500mW,SOD	1	S.A	
...4	D3017	0403-000002	DIODE-ZENER;VLZ5V6B,5.45/5.73V,500mW,SOD	1	S.A	
...4	D3022	0403-000002	DIODE-ZENER;VLZ5V6B,5.45/5.73V,500mW,SOD	1	S.A	
...4	D3033_NSID	0403-000002	DIODE-ZENER;VLZ5V6B,5.45/5.73V,500mW,SOD	1	S.A	
...4	D3039_NSID	0403-000002	DIODE-ZENER;VLZ5V6B,5.45/5.73V,500mW,SOD	1	S.A	
...4	D3046	0403-000002	DIODE-ZENER;VLZ5V6B,5.45/5.73V,500mW,SOD	1	S.A	
...4	D3047	0403-000002	DIODE-ZENER;VLZ5V6B,5.45/5.73V,500mW,SOD	1	S.A	
...4	D3048	0403-000002	DIODE-ZENER;VLZ5V6B,5.45/5.73V,500mW,SOD	1	S.A	
...4	D3049	0403-000002	DIODE-ZENER;VLZ5V6B,5.45/5.73V,500mW,SOD	1	S.A	
...4	D3053	0403-000002	DIODE-ZENER;VLZ5V6B,5.45/5.73V,500mW,SOD	1	S.A	
...4	D3054	0403-000002	DIODE-ZENER;VLZ5V6B,5.45/5.73V,500mW,SOD	1	S.A	
...4	D4007	0403-000002	DIODE-ZENER;VLZ5V6B,5.45/5.73V,500mW,SOD	1	S.A	
...4	D5009	0403-000258	DIODE-ZENER;BZX84C5V6,5.2-6V,225mW,SOT-2	1	S.A	
...4	D4010	0403-000584	DIODE-ZENER;VLZ3V6B,3.6/3.845V,500mW,SOD	1	S.N.A	
...4	D3043	0403-000771	DIODE-ZENER;VLZ6V2B,5.96-6.27V,500mW,SOD	1	S.A	
...4	D3055_4HDM	0403-000771	DIODE-ZENER;VLZ6V2B,5.96-6.27V,500mW,SOD	1	S.A	
...4	D3056	0403-000771	DIODE-ZENER;VLZ6V2B,5.96-6.27V,500mW,SOD	1	S.A	
...4	D3059	0403-000771	DIODE-ZENER;VLZ6V2B,5.96-6.27V,500mW,SOD	1	S.A	

## 5. Exploded View &amp; Part List

Level	Location No.	Code No.	Description & Specification	Q'ty	SA/SNA	Remark
...4	D3066_NSID	0403-000771	DIODE-ZENER;VLZ6V2B,5.96-6.27V,500mW,SOD	1	S.A	
...4	D3067	0403-000771	DIODE-ZENER;VLZ6V2B,5.96-6.27V,500mW,SOD	1	S.A	
...4	D3068	0403-000771	DIODE-ZENER;VLZ6V2B,5.96-6.27V,500mW,SOD	1	S.A	
...4	D3069_4HDM	0403-000771	DIODE-ZENER;VLZ6V2B,5.96-6.27V,500mW,SOD	1	S.A	
...4	D3100	0403-000771	DIODE-ZENER;VLZ6V2B,5.96-6.27V,500mW,SOD	1	S.A	
...4	D3101	0403-000771	DIODE-ZENER;VLZ6V2B,5.96-6.27V,500mW,SOD	1	S.A	
...4	D3102	0403-000771	DIODE-ZENER;VLZ6V2B,5.96-6.27V,500mW,SOD	1	S.A	
...4	D3103	0403-000771	DIODE-ZENER;VLZ6V2B,5.96-6.27V,500mW,SOD	1	S.A	
...4	D9002	0403-000771	DIODE-ZENER;VLZ6V2B,5.96-6.27V,500mW,SOD	1	S.A	
...4	D5014	0403-001052	DIODE-ZENER;RD8.2MB,7.7-8.7V,200mW,SOT-2	1	S.A	
...4	D1005	0403-001425	DIODE-ZENER;BZX84C33,31-35V,350mW,SOT-23	1	S.A	
...4	D0254	0404-001271	DIODE-SCHOTTKY;SSA34,40V,3000mA,SMA,TP	1	S.A	
...4	D3001	0406-001172	DIODE-TVS;CDS3C30GTH,48/-/50V,SMD	1	S.A	
...4	D3002	0406-001172	DIODE-TVS;CDS3C30GTH,48/-/50V,SMD	1	S.A	
...4	D3003	0406-001172	DIODE-TVS;CDS3C30GTH,48/-/50V,SMD	1	S.A	
...4	D3004	0406-001172	DIODE-TVS;CDS3C30GTH,48/-/50V,SMD	1	S.A	
...4	D3005	0406-001172	DIODE-TVS;CDS3C30GTH,48/-/50V,SMD	1	S.A	
...4	D3006	0406-001172	DIODE-TVS;CDS3C30GTH,48/-/50V,SMD	1	S.A	
...4	D3008	0406-001172	DIODE-TVS;CDS3C30GTH,48/-/50V,SMD	1	S.A	
...4	D3012	0406-001172	DIODE-TVS;CDS3C30GTH,48/-/50V,SMD	1	S.A	
...4	D3013	0406-001172	DIODE-TVS;CDS3C30GTH,48/-/50V,SMD	1	S.A	
...4	D3014	0406-001172	DIODE-TVS;CDS3C30GTH,48/-/50V,SMD	1	S.A	
...4	D3015	0406-001172	DIODE-TVS;CDS3C30GTH,48/-/50V,SMD	1	S.A	
...4	D3016	0406-001172	DIODE-TVS;CDS3C30GTH,48/-/50V,SMD	1	S.A	
...4	D3018	0406-001172	DIODE-TVS;CDS3C30GTH,48/-/50V,SMD	1	S.A	
...4	D3025	0406-001172	DIODE-TVS;CDS3C30GTH,48/-/50V,SMD	1	S.A	
...4	D3027	0406-001172	DIODE-TVS;CDS3C30GTH,48/-/50V,SMD	1	S.A	
...4	D3028	0406-001172	DIODE-TVS;CDS3C30GTH,48/-/50V,SMD	1	S.A	
...4	D3029	0406-001172	DIODE-TVS;CDS3C30GTH,48/-/50V,SMD	1	S.A	
...4	D3035_NSID	0406-001172	DIODE-TVS;CDS3C30GTH,48/-/50V,SMD	1	S.A	
...4	D3036	0406-001172	DIODE-TVS;CDS3C30GTH,48/-/50V,SMD	1	S.A	
...4	D3037_NSID	0406-001172	DIODE-TVS;CDS3C30GTH,48/-/50V,SMD	1	S.A	
...4	D3038	0406-001172	DIODE-TVS;CDS3C30GTH,48/-/50V,SMD	1	S.A	
...4	D3040_NSID	0406-001172	DIODE-TVS;CDS3C30GTH,48/-/50V,SMD	1	S.A	
...4	D3041_NSID	0406-001172	DIODE-TVS;CDS3C30GTH,48/-/50V,SMD	1	S.A	
...4	D3042_NSID	0406-001172	DIODE-TVS;CDS3C30GTH,48/-/50V,SMD	1	S.A	
...4	D3062	0406-001172	DIODE-TVS;CDS3C30GTH,48/-/50V,SMD	1	S.A	
...4	D3063	0406-001172	DIODE-TVS;CDS3C30GTH,48/-/50V,SMD	1	S.A	
...4	D3064	0406-001172	DIODE-TVS;CDS3C30GTH,48/-/50V,SMD	1	S.A	
...4	D3065	0406-001172	DIODE-TVS;CDS3C30GTH,48/-/50V,SMD	1	S.A	
...4	D9001	0406-001217	DIODE-TVS;NUP4301MR6,6/-/50V,500W,TSOP-6	1	S.A	
...4	IC3011	0406-001299	DIODE-TVS;CM1224-04MR,MSOP-10	1	S.A	
...4	IC3012	0406-001299	DIODE-TVS;CM1224-04MR,MSOP-10	1	S.A	
...4	IC3013	0406-001299	DIODE-TVS;CM1224-04MR,MSOP-10	1	S.A	
...4	IC3014	0406-001299	DIODE-TVS;CM1224-04MR,MSOP-10	1	S.A	
...4	IC3015	0406-001299	DIODE-TVS;CM1224-04MR,MSOP-10	1	S.A	
...4	IC3016	0406-001299	DIODE-TVS;CM1224-04MR,MSOP-10	1	S.A	
...4	IC3017_4HD	0406-001299	DIODE-TVS;CM1224-04MR,MSOP-10	1	S.A	
...4	IC3018_4HD	0406-001299	DIODE-TVS;CM1224-04MR,MSOP-10	1	S.A	
...4	D2005	0407-000123	DIODE-ARRAY;DAN202K,80V,100mA,CA2-3,SOT-	1	S.A	
...4	D2007	0407-000123	DIODE-ARRAY;DAN202K,80V,100mA,CA2-3,SOT-	1	S.A	

5. Exploded View & Part List

Level	Location No.	Code No.	Description & Specification	Q'ty	SA/SNA	Remark
...4	D2010	0407-000123	DIODE-ARRAY;DAN202K,80V,100mA,CA2-3,SOT-	1	S.A	
...4	D4003	0407-000123	DIODE-ARRAY;DAN202K,80V,100mA,CA2-3,SOT-	1	S.A	
...4	D4005	0407-000123	DIODE-ARRAY;DAN202K,80V,100mA,CA2-3,SOT-	1	S.A	
...4	D4006	0407-000123	DIODE-ARRAY;DAN202K,80V,100mA,CA2-3,SOT-	1	S.A	
...4	D4008	0407-000123	DIODE-ARRAY;DAN202K,80V,100mA,CA2-3,SOT-	1	S.A	
...4	D4009	0407-000123	DIODE-ARRAY;DAN202K,80V,100mA,CA2-3,SOT-	1	S.A	
...4	D7001	0407-000123	DIODE-ARRAY;DAN202K,80V,100mA,CA2-3,SOT-	1	S.A	
...4	D7002	0407-000123	DIODE-ARRAY;DAN202K,80V,100mA,CA2-3,SOT-	1	S.A	
...4	D7003	0407-000123	DIODE-ARRAY;DAN202K,80V,100mA,CA2-3,SOT-	1	S.A	
...4	D7004	0407-000123	DIODE-ARRAY;DAN202K,80V,100mA,CA2-3,SOT-	1	S.A	
...4	D7005	0407-000123	DIODE-ARRAY;DAN202K,80V,100mA,CA2-3,SOT-	1	S.A	
...4	D7006	0407-000123	DIODE-ARRAY;DAN202K,80V,100mA,CA2-3,SOT-	1	S.A	
...4	Q3010	0501-000434	TR-SMALL SIGNAL;KTC3875S-GR,NPN,150mW,SO	1	S.A	
...4	Q9001	0501-000434	TR-SMALL SIGNAL;KTC3875S-GR,NPN,150mW,SO	1	S.A	
...4	Q9002	0501-000434	TR-SMALL SIGNAL;KTC3875S-GR,NPN,150mW,SO	1	S.A	
...4	Q1003	0501-000445	TR-SMALL SIGNAL;KTC3875S-Y,NPN,150mW,SOT	1	S.A	
...4	Q1005	0501-000445	TR-SMALL SIGNAL;KTC3875S-Y,NPN,150mW,SOT	1	S.A	
...4	Q2002	0501-000445	TR-SMALL SIGNAL;KTC3875S-Y,NPN,150mW,SOT	1	S.A	
...4	Q3001	0501-000445	TR-SMALL SIGNAL;KTC3875S-Y,NPN,150mW,SOT	1	S.A	
...4	Q3008	0501-000445	TR-SMALL SIGNAL;KTC3875S-Y,NPN,150mW,SOT	1	S.A	
...4	Q3009	0501-000445	TR-SMALL SIGNAL;KTC3875S-Y,NPN,150mW,SOT	1	S.A	
...4	Q3011	0501-000445	TR-SMALL SIGNAL;KTC3875S-Y,NPN,150mW,SOT	1	S.A	
...4	Q3012	0501-000445	TR-SMALL SIGNAL;KTC3875S-Y,NPN,150mW,SOT	1	S.A	
...4	Q3013	0501-000445	TR-SMALL SIGNAL;KTC3875S-Y,NPN,150mW,SOT	1	S.A	
...4	Q3016_4HDM	0501-000445	TR-SMALL SIGNAL;KTC3875S-Y,NPN,150mW,SOT	1	S.A	
...4	Q3017	0501-000445	TR-SMALL SIGNAL;KTC3875S-Y,NPN,150mW,SOT	1	S.A	
...4	Q3018	0501-000445	TR-SMALL SIGNAL;KTC3875S-Y,NPN,150mW,SOT	1	S.A	
...4	Q4002	0501-000445	TR-SMALL SIGNAL;KTC3875S-Y,NPN,150mW,SOT	1	S.A	
...4	Q4003	0501-000445	TR-SMALL SIGNAL;KTC3875S-Y,NPN,150mW,SOT	1	S.A	
...4	Q4004	0501-000445	TR-SMALL SIGNAL;KTC3875S-Y,NPN,150mW,SOT	1	S.A	
...4	Q5006	0501-000445	TR-SMALL SIGNAL;KTC3875S-Y,NPN,150mW,SOT	1	S.A	
...4	Q5007	0501-000445	TR-SMALL SIGNAL;KTC3875S-Y,NPN,150mW,SOT	1	S.A	
...4	Q5008	0501-000445	TR-SMALL SIGNAL;KTC3875S-Y,NPN,150mW,SOT	1	S.A	
...4	Q6001	0501-000445	TR-SMALL SIGNAL;KTC3875S-Y,NPN,150mW,SOT	1	S.A	
...4	Q2001	0501-000669	TR-SMALL SIGNAL;KTA1505Y,PNP,150mW,SOT-2	1	S.A	
...4	Q2003	0501-000669	TR-SMALL SIGNAL;KTA1505Y,PNP,150mW,SOT-2	1	S.A	
...4	Q3004	0501-000669	TR-SMALL SIGNAL;KTA1505Y,PNP,150mW,SOT-2	1	S.A	
...4	Q3005	0501-000669	TR-SMALL SIGNAL;KTA1505Y,PNP,150mW,SOT-2	1	S.A	
...4	Q1002	0501-002080	TR-SMALL SIGNAL;2SC2412K,NPN,200mW,SC-59	1	S.A	
...4	Q1007	0501-002080	TR-SMALL SIGNAL;2SC2412K,NPN,200mW,SC-59	1	S.A	
...4	Q1008	0501-002080	TR-SMALL SIGNAL;2SC2412K,NPN,200mW,SC-59	1	S.A	
...4	Q1009	0501-002080	TR-SMALL SIGNAL;2SC2412K,NPN,200mW,SC-59	1	S.A	
...4	Q3002	0501-002080	TR-SMALL SIGNAL;2SC2412K,NPN,200mW,SC-59	1	S.A	
...4	Q3003	0501-002080	TR-SMALL SIGNAL;2SC2412K,NPN,200mW,SC-59	1	S.A	
...4	Q3006	0501-002080	TR-SMALL SIGNAL;2SC2412K,NPN,200mW,SC-59	1	S.A	
...4	Q3007	0501-002080	TR-SMALL SIGNAL;2SC2412K,NPN,200mW,SC-59	1	S.A	
...4	Q3014_NSID	0501-002184	TR-SMALL SIGNAL;KTD1304,NPN,200mW,SOT-23	1	S.A	
...4	Q3015_NSID	0501-002184	TR-SMALL SIGNAL;KTD1304,NPN,200mW,SOT-23	1	S.A	
...4	Q409	0505-000110	FET-SILICON;2N7002,N,60V,115mA,7.5ohm,0.	1	S.A	
...4	Q409	0505-000110	FET-SILICON;2N7002,N,60V,115mA,7.5ohm,0.	1	S.A	
...4	Q409	0505-000110	FET-SILICON;2N7002,N,60V,115mA,7.5ohm,0.	1	S.A	

Level	Location No.	Code No.	Description & Specification	Q'ty	SA/SNA	Remark
...4	Q409	0505-000110	FET-SILICON;2N7002,N,60V,115mA,7.5ohm,0.	1	S.A	
...4	Q409	0505-000110	FET-SILICON;2N7002,N,60V,115mA,7.5ohm,0.	1	S.A	
...4	Q409	0505-000110	FET-SILICON;2N7002,N,60V,115mA,7.5ohm,0.	1	S.A	
...4	Q409	0505-001165	FET-SILICON;SI3443BDV,P,-20V,+4.4A,65mo	1	S.A	
...4	Q409	0505-001957	FET-SILICON;NTR2101P,P,-8V,-3.7A,0.052oh	1	S.A	
...4	IC104	0801-002095	IC-CMOS LOGIC;74LCX245,TRANSCEIVER,TSSOP	1	S.A	
...4	IC104	0801-002172	IC-CMOS LOGIC;74LCX16244,BUFFER/LINE DRI	1	S.A	
...4	IC104	0801-002172	IC-CMOS LOGIC;74LCX16244,BUFFER/LINE DRI	1	S.A	
...4	IC104	0801-002237	IC-CMOS LOGIC;74V(A)HC1G04,INVERTER,SC-7	1	S.A	
...4	IC104	0801-002237	IC-CMOS LOGIC;74V(A)HC1G04,INVERTER,SC-7	1	S.A	
...4	IC104	0801-002378	IC-CMOS LOGIC;74VHC04,INVERTER,SOP,14P,8	1	S.A	
...4	IC104	0801-002630	IC-CMOS LOGIC;74AHCT1G08,2-INPUT AND GAT	1	S.A	
...4	IC104	0801-002633	IC-CMOS LOGIC;7WBD3125,2bit BUS SWITCH,S	1	S.A	
...4	IC104	0801-002780	IC-CMOS LOGIC;74LVC1G17,SCHMITT-TRIGGER	1	S.A	
...4	IC520	0903-001552	IC-MICROCONTROLLER;WT61P8-RG480WT,LQFP,4	1	S.A	
...4	T0596	0904-002329	IC-USC;USB2514,QFN,36P,6.55x6.55mm,58.6K	1	S.A	
...4	IC5001	1001-000164	IC-ANALOG MULTIPLEX;74HC4052,CMOS,SOP,16	1	S.A	
...4	IC106	1001-001440	IC-VIDEO SWITCH;SiI9185CTU,QFP,80P,3.3V,	1	S.A	
...4	IC106	1001-001513	IC-VIDEO SWITCH;TMDS351PAG,TQFP,64P,9x9m	1	S.A	
...4	IC3001	1001-001523	IC-ANALOG MULTIPLEX;74HC4052PW,TSSOP,16P	1	S.A	
...4	IC107	1002-001482	IC-D/A CONVERTER;WM8521H9GED/R,16bit,SOI	1	S.A	
...4	IC2002	1002-001509	IC-A/D&D/A CONVERTER;MT8291,24bit,LQFP,4	1	S.A	
...4	IC110	1006-001076	IC-DRIVER/RECEIVER;MAX232ECWE+T,SOP,16P,	1	S.A	
...4	IC112	1103-000129	IC-EEPROM;24C02,2Kbit,256x8Bit,SOP,8P,5x	1	S.A	
...4	IC112	1103-000129	IC-EEPROM;24C02,2Kbit,256x8Bit,SOP,8P,5x	1	S.A	
...4	IC112	1103-000129	IC-EEPROM;24C02,2Kbit,256x8Bit,SOP,8P,5x	1	S.A	
...4	IC112	1103-000129	IC-EEPROM;24C02,2Kbit,256x8Bit,SOP,8P,5x	1	S.A	
...4	IC112	1103-001385	IC-EEPROM;AT24C256,256Kbit,32Kx8,SOP,8P,	1	S.A	
...4	IC112	1103-001410	IC-EEPROM;S-24CS08AFJ-TB-1GE,8Kbit,1Kx8,	1	S.A	
...4	IC113	1105-001712	IC-DRAM;HYB25D256163CE,DDR,256Mbit,16Mx1	1	S.A	
...4	IC113	1105-001712	IC-DRAM;HYB25D256163CE,DDR,256Mbit,16Mx1	1	S.A	
...4	IC113	1105-001823	IC-DRAM;HYB25DC512160,DDR,512Mbit,32Mx16	1	S.N.A	
...4	IC113	1105-001823	IC-DRAM;HYB25DC512160,DDR,512Mbit,32Mx16	1	S.N.A	
...4	IC4002	1105-001862	IC-DDR2 SDRAM;K4T56163QI-ZCF7,DDR2 SDRAM	1	S.A	
...4	IC4003	1105-001862	IC-DDR2 SDRAM;K4T56163QI-ZCF7,DDR2 SDRAM	1	S.A	
...4	IC115	1107-001415	IC-FLASH MEMORY;29W320D,4Mx8/2Mx16Bit,TS	1	S.N.A	
...4	IC7013	1107-001740	IC-NAND FLASH;KFH8GH6U4M-DIB6,8Gbit,512M	1	S.A	
...4	DU410	1201-000166	IC-OP AMP;LM358,SOP,ST,8P,150MIL,DUAL,10	1	S.A	
...4	T0124	1201-002677	IC-POWER AMP;NTP3100,QFN56,56P,8x8mm,DUA	1	S.A	
...4	T0087	1203-001815	IC-POSI.FIXED REG.;78M09,TO-252,3P,-,PLA	1	S.A	
...4	T0087	1203-001815	IC-POSI.FIXED REG.;78M09,TO-252,3P,-,PLA	1	S.A	
...4	T0087	1203-002842	IC-POSI.FIXED REG.;AP1117D-33A,TO-252,3P	1	S.A	
...4	IC012	1203-002995	IC-POSI.ADJUST REG.;AP1117D-A,TO-252,3P,	1	S.A	
...4	IC012	1203-002995	IC-POSI.ADJUST REG.;AP1117D-A,TO-252,3P,	1	S.A	
...4	IC012	1203-002995	IC-POSI.ADJUST REG.;AP1117D-A,TO-252,3P,	1	S.A	
...4	IC012	1203-003038	IC-POSI.ADJUST REG.;LP2995,SO,8P,4.9x3.9	1	S.A	
...4	IC012	1203-003038	IC-POSI.ADJUST REG.;LP2995,SO,8P,4.9x3.9	1	S.A	
...4	IC7011	1203-003394	IC-POWER SUPERVISOR;MIC2544-1YM,SOP,8P,4	1	S.A	
...4	T0087	1203-003695	IC-POSI.FIXED REG.;NCP1117ST33T3G,SOT-22	1	S.A	
...4	T0087	1203-003696	IC-POSI.FIXED REG.;NCP1117DT18T5G,DPAK,3	1	S.A	



5. Exploded View & Part List

Level	Location No.	Code No.	Description & Specification	Q'ty	SA/SNA	Remark
...4	IC4004	1203-004363	IC-VOL. DETECTOR;RT9818C-29PV,SOT-23,3P,	1	S.A	
...4	IC2004	1203-004364	IC-VOL. DETECTOR;RT9818C-42PV,SOT-23,3P,	1	S.A	
...4	T0170	1203-004868	IC-SWITCH VOL. REG.;MP2363,SOIC,8P,4.9x3	1	S.A	
...4	T0170	1203-004868	IC-SWITCH VOL. REG.;MP2363,SOIC,8P,4.9x3	1	S.A	
...4	T0170	1203-004868	IC-SWITCH VOL. REG.;MP2363,SOIC,8P,4.9x3	1	S.A	
...4	T0170	1203-004868	IC-SWITCH VOL. REG.;MP2363,SOIC,8P,4.9x3	1	S.A	
...4	IC118	1204-002779	IC-VIDEO PROCESS;S4LF122X01,PBGA,208P,17	1	S.A	
...4	IC118	1204-002869	IC-VIDEO PROCESS;MT8226FJ,BGA,569P,31x31	1	S.A	
...4	IC7001	1204-002888	IC-DECODER;SAM7103,FPBGA,716P,27x27mm,PL	1	S.A	
...4	IC3019	1205-003201	IC-BUS SWITCH;TC7WB125FK,SSOP,8P,2x2.3mm	1	S.A	
...4	IC4011	1205-003201	IC-BUS SWITCH;TC7WB125FK,SSOP,8P,2x2.3mm	1	S.A	
...4	IC9001	1205-003444	IC-ETHERNET CONTROLLER;LAN8700-AEZG,QFN,	1	S.A	
...4	P803T	1404-001223	THERMISTOR-PTC;45mohm,20,6V,-,40A,4A,TP	1	S.A	
...4	IC3007	1405-001185	VARISTOR;24Vdc,1.6x0.8x0.36mm,TP	1	S.A	
...4	IC3009_4HD	1405-001185	VARISTOR;24Vdc,1.6x0.8x0.36mm,TP	1	S.A	
...4	IC3010	1405-001185	VARISTOR;24Vdc,1.6x0.8x0.36mm,TP	1	S.A	
...4	IC4008	1405-001185	VARISTOR;24Vdc,1.6x0.8x0.36mm,TP	1	S.A	
...4	R3195_4HDM	2007-000033	R-CHIP;0ohm,5%,1/4W,TP,3216	1	S.A	
...4	R3196_4HDM	2007-000033	R-CHIP;0ohm,5%,1/4W,TP,3216	1	S.A	
...4	R3299	2007-000033	R-CHIP;0ohm,5%,1/4W,TP,3216	1	S.A	
...4	R3300	2007-000033	R-CHIP;0ohm,5%,1/4W,TP,3216	1	S.A	
...4	R3311	2007-000033	R-CHIP;0ohm,5%,1/4W,TP,3216	1	S.A	
...4	R3312	2007-000033	R-CHIP;0ohm,5%,1/4W,TP,3216	1	S.A	
...4	R1252	2007-000060	R-CHIP;100Kohm,1%,1/10W,TP,1608	1	S.A	
...4	R1253	2007-000060	R-CHIP;100Kohm,1%,1/10W,TP,1608	1	S.A	
...4	R1035	2007-000067	R-CHIP;15Kohm,1%,1/10W,TP,1608	1	S.A	
...4	R1041	2007-000067	R-CHIP;15Kohm,1%,1/10W,TP,1608	1	S.A	
...4	R1121	2007-000067	R-CHIP;15Kohm,1%,1/10W,TP,1608	1	S.A	
...4	R6025	2007-000123	R-CHIP;1.5Kohm,5%,1/10W,TP,1608	1	S.A	
...4	R7346	2007-000123	R-CHIP;1.5Kohm,5%,1/10W,TP,1608	1	S.A	
...4	R1255	2007-000133	R-CHIP;330Kohm,5%,1/10W,TP,1608	1	S.A	
...4	R5028	2007-000133	R-CHIP;330Kohm,5%,1/10W,TP,1608	1	S.A	
...4	R1005	2007-000138	R-CHIP;100ohm,5%,1/16W,TP,1005	1	S.N.A	
...4	R2002	2007-000138	R-CHIP;100ohm,5%,1/16W,TP,1005	1	S.N.A	
...4	R2003	2007-000138	R-CHIP;100ohm,5%,1/16W,TP,1005	1	S.N.A	
...4	R2004	2007-000138	R-CHIP;100ohm,5%,1/16W,TP,1005	1	S.N.A	
...4	R2005	2007-000138	R-CHIP;100ohm,5%,1/16W,TP,1005	1	S.N.A	
...4	R2013	2007-000138	R-CHIP;100ohm,5%,1/16W,TP,1005	1	S.N.A	
...4	R2014	2007-000138	R-CHIP;100ohm,5%,1/16W,TP,1005	1	S.N.A	
...4	R2015	2007-000138	R-CHIP;100ohm,5%,1/16W,TP,1005	1	S.N.A	
...4	R2041	2007-000138	R-CHIP;100ohm,5%,1/16W,TP,1005	1	S.N.A	
...4	R2042	2007-000138	R-CHIP;100ohm,5%,1/16W,TP,1005	1	S.N.A	
...4	R2043	2007-000138	R-CHIP;100ohm,5%,1/16W,TP,1005	1	S.N.A	
...4	R2044	2007-000138	R-CHIP;100ohm,5%,1/16W,TP,1005	1	S.N.A	
...4	R2047	2007-000138	R-CHIP;100ohm,5%,1/16W,TP,1005	1	S.N.A	
...4	R3009	2007-000138	R-CHIP;100ohm,5%,1/16W,TP,1005	1	S.N.A	
...4	R3010	2007-000138	R-CHIP;100ohm,5%,1/16W,TP,1005	1	S.N.A	
...4	R3025	2007-000138	R-CHIP;100ohm,5%,1/16W,TP,1005	1	S.N.A	
...4	R3027	2007-000138	R-CHIP;100ohm,5%,1/16W,TP,1005	1	S.N.A	
...4	R3041	2007-000138	R-CHIP;100ohm,5%,1/16W,TP,1005	1	S.N.A	
...4	R3045	2007-000138	R-CHIP;100ohm,5%,1/16W,TP,1005	1	S.N.A	

## 5. Exploded View &amp; Part List

Level	Location No.	Code No.	Description & Specification	Q'ty	SA/SNA	Remark
...4	R3047	2007-000138	R-CHIP;100ohm,5%,1/16W,TP,1005	1	S.N.A	
...4	R3048	2007-000138	R-CHIP;100ohm,5%,1/16W,TP,1005	1	S.N.A	
...4	R3049	2007-000138	R-CHIP;100ohm,5%,1/16W,TP,1005	1	S.N.A	
...4	R3054	2007-000138	R-CHIP;100ohm,5%,1/16W,TP,1005	1	S.N.A	
...4	R3075	2007-000138	R-CHIP;100ohm,5%,1/16W,TP,1005	1	S.N.A	
...4	R3076	2007-000138	R-CHIP;100ohm,5%,1/16W,TP,1005	1	S.N.A	
...4	R3078	2007-000138	R-CHIP;100ohm,5%,1/16W,TP,1005	1	S.N.A	
...4	R3089	2007-000138	R-CHIP;100ohm,5%,1/16W,TP,1005	1	S.N.A	
...4	R3090	2007-000138	R-CHIP;100ohm,5%,1/16W,TP,1005	1	S.N.A	
...4	R3091	2007-000138	R-CHIP;100ohm,5%,1/16W,TP,1005	1	S.N.A	
...4	R3117	2007-000138	R-CHIP;100ohm,5%,1/16W,TP,1005	1	S.N.A	
...4	R3121_NSID	2007-000138	R-CHIP;100ohm,5%,1/16W,TP,1005	1	S.N.A	
...4	R3122_NSID	2007-000138	R-CHIP;100ohm,5%,1/16W,TP,1005	1	S.N.A	
...4	R3127_NSID	2007-000138	R-CHIP;100ohm,5%,1/16W,TP,1005	1	S.N.A	
...4	R3172	2007-000138	R-CHIP;100ohm,5%,1/16W,TP,1005	1	S.N.A	
...4	R3176	2007-000138	R-CHIP;100ohm,5%,1/16W,TP,1005	1	S.N.A	
...4	R3179	2007-000138	R-CHIP;100ohm,5%,1/16W,TP,1005	1	S.N.A	
...4	R3181	2007-000138	R-CHIP;100ohm,5%,1/16W,TP,1005	1	S.N.A	
...4	R3546_FAN	2007-000138	R-CHIP;100ohm,5%,1/16W,TP,1005	1	S.N.A	
...4	R3547_FAN	2007-000138	R-CHIP;100ohm,5%,1/16W,TP,1005	1	S.N.A	
...4	R3548_FAN	2007-000138	R-CHIP;100ohm,5%,1/16W,TP,1005	1	S.N.A	
...4	R3612	2007-000138	R-CHIP;100ohm,5%,1/16W,TP,1005	1	S.N.A	
...4	R4018	2007-000138	R-CHIP;100ohm,5%,1/16W,TP,1005	1	S.N.A	
...4	R4019	2007-000138	R-CHIP;100ohm,5%,1/16W,TP,1005	1	S.N.A	
...4	R4066	2007-000138	R-CHIP;100ohm,5%,1/16W,TP,1005	1	S.N.A	
...4	R4082	2007-000138	R-CHIP;100ohm,5%,1/16W,TP,1005	1	S.N.A	
...4	R4083	2007-000138	R-CHIP;100ohm,5%,1/16W,TP,1005	1	S.N.A	
...4	R4089	2007-000138	R-CHIP;100ohm,5%,1/16W,TP,1005	1	S.N.A	
...4	R4090	2007-000138	R-CHIP;100ohm,5%,1/16W,TP,1005	1	S.N.A	
...4	R4095	2007-000138	R-CHIP;100ohm,5%,1/16W,TP,1005	1	S.N.A	
...4	R4100	2007-000138	R-CHIP;100ohm,5%,1/16W,TP,1005	1	S.N.A	
...4	R4101	2007-000138	R-CHIP;100ohm,5%,1/16W,TP,1005	1	S.N.A	
...4	R4103	2007-000138	R-CHIP;100ohm,5%,1/16W,TP,1005	1	S.N.A	
...4	R4104	2007-000138	R-CHIP;100ohm,5%,1/16W,TP,1005	1	S.N.A	
...4	R4113	2007-000138	R-CHIP;100ohm,5%,1/16W,TP,1005	1	S.N.A	
...4	R4114	2007-000138	R-CHIP;100ohm,5%,1/16W,TP,1005	1	S.N.A	
...4	R4115	2007-000138	R-CHIP;100ohm,5%,1/16W,TP,1005	1	S.N.A	
...4	R4132	2007-000138	R-CHIP;100ohm,5%,1/16W,TP,1005	1	S.N.A	
...4	R4133	2007-000138	R-CHIP;100ohm,5%,1/16W,TP,1005	1	S.N.A	
...4	R4134	2007-000138	R-CHIP;100ohm,5%,1/16W,TP,1005	1	S.N.A	
...4	R4135	2007-000138	R-CHIP;100ohm,5%,1/16W,TP,1005	1	S.N.A	
...4	R4136	2007-000138	R-CHIP;100ohm,5%,1/16W,TP,1005	1	S.N.A	
...4	R4137	2007-000138	R-CHIP;100ohm,5%,1/16W,TP,1005	1	S.N.A	
...4	R4150	2007-000138	R-CHIP;100ohm,5%,1/16W,TP,1005	1	S.N.A	
...4	R4151	2007-000138	R-CHIP;100ohm,5%,1/16W,TP,1005	1	S.N.A	
...4	R4207	2007-000138	R-CHIP;100ohm,5%,1/16W,TP,1005	1	S.N.A	
...4	R4208	2007-000138	R-CHIP;100ohm,5%,1/16W,TP,1005	1	S.N.A	
...4	R5073	2007-000138	R-CHIP;100ohm,5%,1/16W,TP,1005	1	S.N.A	
...4	R5074	2007-000138	R-CHIP;100ohm,5%,1/16W,TP,1005	1	S.N.A	
...4	R5520	2007-000138	R-CHIP;100ohm,5%,1/16W,TP,1005	1	S.N.A	
...4	R6013	2007-000138	R-CHIP;100ohm,5%,1/16W,TP,1005	1	S.N.A	

5. Exploded View & Part List

Level	Location No.	Code No.	Description & Specification	Q'ty	SA/SNA	Remark
...4	R6014	2007-000138	R-CHIP;100ohm,5%,1/16W,TP,1005	1	S.N.A	
...4	R6016	2007-000138	R-CHIP;100ohm,5%,1/16W,TP,1005	1	S.N.A	
...4	R6017	2007-000138	R-CHIP;100ohm,5%,1/16W,TP,1005	1	S.N.A	
...4	R6018	2007-000138	R-CHIP;100ohm,5%,1/16W,TP,1005	1	S.N.A	
...4	R6019	2007-000138	R-CHIP;100ohm,5%,1/16W,TP,1005	1	S.N.A	
...4	R6020	2007-000138	R-CHIP;100ohm,5%,1/16W,TP,1005	1	S.N.A	
...4	R6021	2007-000138	R-CHIP;100ohm,5%,1/16W,TP,1005	1	S.N.A	
...4	R6031	2007-000138	R-CHIP;100ohm,5%,1/16W,TP,1005	1	S.N.A	
...4	R6038	2007-000138	R-CHIP;100ohm,5%,1/16W,TP,1005	1	S.N.A	
...4	R6039	2007-000138	R-CHIP;100ohm,5%,1/16W,TP,1005	1	S.N.A	
...4	R6043	2007-000138	R-CHIP;100ohm,5%,1/16W,TP,1005	1	S.N.A	
...4	R6044	2007-000138	R-CHIP;100ohm,5%,1/16W,TP,1005	1	S.N.A	
...4	R6045	2007-000138	R-CHIP;100ohm,5%,1/16W,TP,1005	1	S.N.A	
...4	R6046	2007-000138	R-CHIP;100ohm,5%,1/16W,TP,1005	1	S.N.A	
...4	R7021	2007-000138	R-CHIP;100ohm,5%,1/16W,TP,1005	1	S.N.A	
...4	R7022	2007-000138	R-CHIP;100ohm,5%,1/16W,TP,1005	1	S.N.A	
...4	R7023	2007-000138	R-CHIP;100ohm,5%,1/16W,TP,1005	1	S.N.A	
...4	R7024	2007-000138	R-CHIP;100ohm,5%,1/16W,TP,1005	1	S.N.A	
...4	R7025	2007-000138	R-CHIP;100ohm,5%,1/16W,TP,1005	1	S.N.A	
...4	R7026	2007-000138	R-CHIP;100ohm,5%,1/16W,TP,1005	1	S.N.A	
...4	R7027	2007-000138	R-CHIP;100ohm,5%,1/16W,TP,1005	1	S.N.A	
...4	R7028	2007-000138	R-CHIP;100ohm,5%,1/16W,TP,1005	1	S.N.A	
...4	R7037	2007-000138	R-CHIP;100ohm,5%,1/16W,TP,1005	1	S.N.A	
...4	R7049	2007-000138	R-CHIP;100ohm,5%,1/16W,TP,1005	1	S.N.A	
...4	R7054	2007-000138	R-CHIP;100ohm,5%,1/16W,TP,1005	1	S.N.A	
...4	R7055	2007-000138	R-CHIP;100ohm,5%,1/16W,TP,1005	1	S.N.A	
...4	R7056	2007-000138	R-CHIP;100ohm,5%,1/16W,TP,1005	1	S.N.A	
...4	R7057	2007-000138	R-CHIP;100ohm,5%,1/16W,TP,1005	1	S.N.A	
...4	R7058	2007-000138	R-CHIP;100ohm,5%,1/16W,TP,1005	1	S.N.A	
...4	R7059	2007-000138	R-CHIP;100ohm,5%,1/16W,TP,1005	1	S.N.A	
...4	R7060	2007-000138	R-CHIP;100ohm,5%,1/16W,TP,1005	1	S.N.A	
...4	R7061	2007-000138	R-CHIP;100ohm,5%,1/16W,TP,1005	1	S.N.A	
...4	R7066	2007-000138	R-CHIP;100ohm,5%,1/16W,TP,1005	1	S.N.A	
...4	R7069	2007-000138	R-CHIP;100ohm,5%,1/16W,TP,1005	1	S.N.A	
...4	R7321	2007-000138	R-CHIP;100ohm,5%,1/16W,TP,1005	1	S.N.A	
...4	R7415	2007-000138	R-CHIP;100ohm,5%,1/16W,TP,1005	1	S.N.A	
...4	R7416	2007-000138	R-CHIP;100ohm,5%,1/16W,TP,1005	1	S.N.A	
...4	R7417	2007-000138	R-CHIP;100ohm,5%,1/16W,TP,1005	1	S.N.A	
...4	R7418	2007-000138	R-CHIP;100ohm,5%,1/16W,TP,1005	1	S.N.A	
...4	R7419	2007-000138	R-CHIP;100ohm,5%,1/16W,TP,1005	1	S.N.A	
...4	R7420	2007-000138	R-CHIP;100ohm,5%,1/16W,TP,1005	1	S.N.A	
...4	R7428_T	2007-000138	R-CHIP;100ohm,5%,1/16W,TP,1005	1	S.N.A	
...4	R7429_T	2007-000138	R-CHIP;100ohm,5%,1/16W,TP,1005	1	S.N.A	
...4	R9003	2007-000138	R-CHIP;100ohm,5%,1/16W,TP,1005	1	S.N.A	
...4	R9004	2007-000138	R-CHIP;100ohm,5%,1/16W,TP,1005	1	S.N.A	
...4	R9005	2007-000138	R-CHIP;100ohm,5%,1/16W,TP,1005	1	S.N.A	
...4	R9006	2007-000138	R-CHIP;100ohm,5%,1/16W,TP,1005	1	S.N.A	
...4	R9014	2007-000138	R-CHIP;100ohm,5%,1/16W,TP,1005	1	S.N.A	
...4	R9017	2007-000138	R-CHIP;100ohm,5%,1/16W,TP,1005	1	S.N.A	
...4	R9019	2007-000138	R-CHIP;100ohm,5%,1/16W,TP,1005	1	S.N.A	
...4	R9020	2007-000138	R-CHIP;100ohm,5%,1/16W,TP,1005	1	S.N.A	



## 5. Exploded View &amp; Part List

Level	Location No.	Code No.	Description & Specification	Q'ty	SA/SNA	Remark
...4	R2038	2007-000140	R-CHIP;1Kohm,5%,1/16W,TP,1005	1	S.N.A	
...4	R2039	2007-000140	R-CHIP;1Kohm,5%,1/16W,TP,1005	1	S.N.A	
...4	R2057	2007-000140	R-CHIP;1Kohm,5%,1/16W,TP,1005	1	S.N.A	
...4	R3004	2007-000140	R-CHIP;1Kohm,5%,1/16W,TP,1005	1	S.N.A	
...4	R3026	2007-000140	R-CHIP;1Kohm,5%,1/16W,TP,1005	1	S.N.A	
...4	R3028	2007-000140	R-CHIP;1Kohm,5%,1/16W,TP,1005	1	S.N.A	
...4	R3036	2007-000140	R-CHIP;1Kohm,5%,1/16W,TP,1005	1	S.N.A	
...4	R3037	2007-000140	R-CHIP;1Kohm,5%,1/16W,TP,1005	1	S.N.A	
...4	R3042	2007-000140	R-CHIP;1Kohm,5%,1/16W,TP,1005	1	S.N.A	
...4	R3055	2007-000140	R-CHIP;1Kohm,5%,1/16W,TP,1005	1	S.N.A	
...4	R3077	2007-000140	R-CHIP;1Kohm,5%,1/16W,TP,1005	1	S.N.A	
...4	R3079	2007-000140	R-CHIP;1Kohm,5%,1/16W,TP,1005	1	S.N.A	
...4	R3081	2007-000140	R-CHIP;1Kohm,5%,1/16W,TP,1005	1	S.N.A	
...4	R3082	2007-000140	R-CHIP;1Kohm,5%,1/16W,TP,1005	1	S.N.A	
...4	R3099	2007-000140	R-CHIP;1Kohm,5%,1/16W,TP,1005	1	S.N.A	
...4	R3100	2007-000140	R-CHIP;1Kohm,5%,1/16W,TP,1005	1	S.N.A	
...4	R3111	2007-000140	R-CHIP;1Kohm,5%,1/16W,TP,1005	1	S.N.A	
...4	R3118_NSID	2007-000140	R-CHIP;1Kohm,5%,1/16W,TP,1005	1	S.N.A	
...4	R3119_NSID	2007-000140	R-CHIP;1Kohm,5%,1/16W,TP,1005	1	S.N.A	
...4	R3120_NSID	2007-000140	R-CHIP;1Kohm,5%,1/16W,TP,1005	1	S.N.A	
...4	R3128_NSID	2007-000140	R-CHIP;1Kohm,5%,1/16W,TP,1005	1	S.N.A	
...4	R3131	2007-000140	R-CHIP;1Kohm,5%,1/16W,TP,1005	1	S.N.A	
...4	R3168_4HDM	2007-000140	R-CHIP;1Kohm,5%,1/16W,TP,1005	1	S.N.A	
...4	R3184	2007-000140	R-CHIP;1Kohm,5%,1/16W,TP,1005	1	S.N.A	
...4	R3191	2007-000140	R-CHIP;1Kohm,5%,1/16W,TP,1005	1	S.N.A	
...4	R3194_4HDM	2007-000140	R-CHIP;1Kohm,5%,1/16W,TP,1005	1	S.N.A	
...4	R3224	2007-000140	R-CHIP;1Kohm,5%,1/16W,TP,1005	1	S.N.A	
...4	R3225	2007-000140	R-CHIP;1Kohm,5%,1/16W,TP,1005	1	S.N.A	
...4	R3226	2007-000140	R-CHIP;1Kohm,5%,1/16W,TP,1005	1	S.N.A	
...4	R3227	2007-000140	R-CHIP;1Kohm,5%,1/16W,TP,1005	1	S.N.A	
...4	R3228	2007-000140	R-CHIP;1Kohm,5%,1/16W,TP,1005	1	S.N.A	
...4	R3310	2007-000140	R-CHIP;1Kohm,5%,1/16W,TP,1005	1	S.N.A	
...4	R5007	2007-000140	R-CHIP;1Kohm,5%,1/16W,TP,1005	1	S.N.A	
...4	R6033	2007-000140	R-CHIP;1Kohm,5%,1/16W,TP,1005	1	S.N.A	
...4	R6037	2007-000140	R-CHIP;1Kohm,5%,1/16W,TP,1005	1	S.N.A	
...4	R7336	2007-000140	R-CHIP;1Kohm,5%,1/16W,TP,1005	1	S.N.A	
...4	R7357	2007-000140	R-CHIP;1Kohm,5%,1/16W,TP,1005	1	S.N.A	
...4	R1010	2007-000141	R-CHIP;2.2Kohm,5%,1/16W,TP,1005	1	S.N.A	
...4	R5027	2007-000141	R-CHIP;2.2Kohm,5%,1/16W,TP,1005	1	S.N.A	
...4	R6035	2007-000141	R-CHIP;2.2Kohm,5%,1/16W,TP,1005	1	S.N.A	
...4	R1012	2007-000143	R-CHIP;4.7Kohm,5%,1/16W,TP,1005	1	S.A	
...4	R1032	2007-000143	R-CHIP;4.7Kohm,5%,1/16W,TP,1005	1	S.A	
...4	R1569	2007-000143	R-CHIP;4.7Kohm,5%,1/16W,TP,1005	1	S.A	
...4	R2029	2007-000143	R-CHIP;4.7Kohm,5%,1/16W,TP,1005	1	S.A	
...4	R2030	2007-000143	R-CHIP;4.7Kohm,5%,1/16W,TP,1005	1	S.A	
...4	R2058	2007-000143	R-CHIP;4.7Kohm,5%,1/16W,TP,1005	1	S.A	
...4	R2060	2007-000143	R-CHIP;4.7Kohm,5%,1/16W,TP,1005	1	S.A	
...4	R2061	2007-000143	R-CHIP;4.7Kohm,5%,1/16W,TP,1005	1	S.A	
...4	R2062	2007-000143	R-CHIP;4.7Kohm,5%,1/16W,TP,1005	1	S.A	
...4	R2063	2007-000143	R-CHIP;4.7Kohm,5%,1/16W,TP,1005	1	S.A	
...4	R2064	2007-000143	R-CHIP;4.7Kohm,5%,1/16W,TP,1005	1	S.A	

5. Exploded View & Part List

Level	Location No.	Code No.	Description & Specification	Q'ty	SA/SNA	Remark
...4	R3056	2007-000143	R-CHIP;4.7Kohm,5%,1/16W,TP,1005	1	S.A	
...4	R3114	2007-000143	R-CHIP;4.7Kohm,5%,1/16W,TP,1005	1	S.A	
...4	R3182_4HDM	2007-000143	R-CHIP;4.7Kohm,5%,1/16W,TP,1005	1	S.A	
...4	R3190	2007-000143	R-CHIP;4.7Kohm,5%,1/16W,TP,1005	1	S.A	
...4	R3198	2007-000143	R-CHIP;4.7Kohm,5%,1/16W,TP,1005	1	S.A	
...4	R3401	2007-000143	R-CHIP;4.7Kohm,5%,1/16W,TP,1005	1	S.A	
...4	R3402	2007-000143	R-CHIP;4.7Kohm,5%,1/16W,TP,1005	1	S.A	
...4	R3620	2007-000143	R-CHIP;4.7Kohm,5%,1/16W,TP,1005	1	S.A	
...4	R3621	2007-000143	R-CHIP;4.7Kohm,5%,1/16W,TP,1005	1	S.A	
...4	R3623	2007-000143	R-CHIP;4.7Kohm,5%,1/16W,TP,1005	1	S.A	
...4	R3642	2007-000143	R-CHIP;4.7Kohm,5%,1/16W,TP,1005	1	S.A	
...4	R3653	2007-000143	R-CHIP;4.7Kohm,5%,1/16W,TP,1005	1	S.A	
...4	R3656	2007-000143	R-CHIP;4.7Kohm,5%,1/16W,TP,1005	1	S.A	
...4	R3657	2007-000143	R-CHIP;4.7Kohm,5%,1/16W,TP,1005	1	S.A	
...4	R3659	2007-000143	R-CHIP;4.7Kohm,5%,1/16W,TP,1005	1	S.A	
...4	R4084	2007-000143	R-CHIP;4.7Kohm,5%,1/16W,TP,1005	1	S.A	
...4	R4091	2007-000143	R-CHIP;4.7Kohm,5%,1/16W,TP,1005	1	S.A	
...4	R4092	2007-000143	R-CHIP;4.7Kohm,5%,1/16W,TP,1005	1	S.A	
...4	R4093	2007-000143	R-CHIP;4.7Kohm,5%,1/16W,TP,1005	1	S.A	
...4	R4108	2007-000143	R-CHIP;4.7Kohm,5%,1/16W,TP,1005	1	S.A	
...4	R4149	2007-000143	R-CHIP;4.7Kohm,5%,1/16W,TP,1005	1	S.A	
...4	R4157	2007-000143	R-CHIP;4.7Kohm,5%,1/16W,TP,1005	1	S.A	
...4	R4158	2007-000143	R-CHIP;4.7Kohm,5%,1/16W,TP,1005	1	S.A	
...4	R4159	2007-000143	R-CHIP;4.7Kohm,5%,1/16W,TP,1005	1	S.A	
...4	R4160	2007-000143	R-CHIP;4.7Kohm,5%,1/16W,TP,1005	1	S.A	
...4	R4161	2007-000143	R-CHIP;4.7Kohm,5%,1/16W,TP,1005	1	S.A	
...4	R4162	2007-000143	R-CHIP;4.7Kohm,5%,1/16W,TP,1005	1	S.A	
...4	R4164	2007-000143	R-CHIP;4.7Kohm,5%,1/16W,TP,1005	1	S.A	
...4	R4167	2007-000143	R-CHIP;4.7Kohm,5%,1/16W,TP,1005	1	S.A	
...4	R4169	2007-000143	R-CHIP;4.7Kohm,5%,1/16W,TP,1005	1	S.A	
...4	R4170_FRM	2007-000143	R-CHIP;4.7Kohm,5%,1/16W,TP,1005	1	S.A	
...4	R4171	2007-000143	R-CHIP;4.7Kohm,5%,1/16W,TP,1005	1	S.A	
...4	R4178	2007-000143	R-CHIP;4.7Kohm,5%,1/16W,TP,1005	1	S.A	
...4	R4193	2007-000143	R-CHIP;4.7Kohm,5%,1/16W,TP,1005	1	S.A	
...4	R4194	2007-000143	R-CHIP;4.7Kohm,5%,1/16W,TP,1005	1	S.A	
...4	R4200	2007-000143	R-CHIP;4.7Kohm,5%,1/16W,TP,1005	1	S.A	
...4	R4211	2007-000143	R-CHIP;4.7Kohm,5%,1/16W,TP,1005	1	S.A	
...4	R4212	2007-000143	R-CHIP;4.7Kohm,5%,1/16W,TP,1005	1	S.A	
...4	R4218_T	2007-000143	R-CHIP;4.7Kohm,5%,1/16W,TP,1005	1	S.A	
...4	R4219_T	2007-000143	R-CHIP;4.7Kohm,5%,1/16W,TP,1005	1	S.A	
...4	R5054	2007-000143	R-CHIP;4.7Kohm,5%,1/16W,TP,1005	1	S.A	
...4	R5055	2007-000143	R-CHIP;4.7Kohm,5%,1/16W,TP,1005	1	S.A	
...4	R5058	2007-000143	R-CHIP;4.7Kohm,5%,1/16W,TP,1005	1	S.A	
...4	R5059	2007-000143	R-CHIP;4.7Kohm,5%,1/16W,TP,1005	1	S.A	
...4	R5060	2007-000143	R-CHIP;4.7Kohm,5%,1/16W,TP,1005	1	S.A	
...4	R5061	2007-000143	R-CHIP;4.7Kohm,5%,1/16W,TP,1005	1	S.A	
...4	R5066	2007-000143	R-CHIP;4.7Kohm,5%,1/16W,TP,1005	1	S.A	
...4	R5069	2007-000143	R-CHIP;4.7Kohm,5%,1/16W,TP,1005	1	S.A	
...4	R5106	2007-000143	R-CHIP;4.7Kohm,5%,1/16W,TP,1005	1	S.A	
...4	R5107	2007-000143	R-CHIP;4.7Kohm,5%,1/16W,TP,1005	1	S.A	
...4	R6001	2007-000143	R-CHIP;4.7Kohm,5%,1/16W,TP,1005	1	S.A	

## 5. Exploded View &amp; Part List

Level	Location No.	Code No.	Description & Specification	Q'ty	SA/SNA	Remark
...4	R6005	2007-000143	R-CHIP;4.7Kohm,5%,1/16W,TP,1005	1	S.A	
...4	R6008_FHD	2007-000143	R-CHIP;4.7Kohm,5%,1/16W,TP,1005	1	S.A	
...4	R6009	2007-000143	R-CHIP;4.7Kohm,5%,1/16W,TP,1005	1	S.A	
...4	R6012	2007-000143	R-CHIP;4.7Kohm,5%,1/16W,TP,1005	1	S.A	
...4	R6027	2007-000143	R-CHIP;4.7Kohm,5%,1/16W,TP,1005	1	S.A	
...4	R6036	2007-000143	R-CHIP;4.7Kohm,5%,1/16W,TP,1005	1	S.A	
...4	R7283	2007-000143	R-CHIP;4.7Kohm,5%,1/16W,TP,1005	1	S.A	
...4	R7284	2007-000143	R-CHIP;4.7Kohm,5%,1/16W,TP,1005	1	S.A	
...4	R7296	2007-000143	R-CHIP;4.7Kohm,5%,1/16W,TP,1005	1	S.A	
...4	R7302	2007-000143	R-CHIP;4.7Kohm,5%,1/16W,TP,1005	1	S.A	
...4	R7303	2007-000143	R-CHIP;4.7Kohm,5%,1/16W,TP,1005	1	S.A	
...4	R7304	2007-000143	R-CHIP;4.7Kohm,5%,1/16W,TP,1005	1	S.A	
...4	R7305	2007-000143	R-CHIP;4.7Kohm,5%,1/16W,TP,1005	1	S.A	
...4	R7306	2007-000143	R-CHIP;4.7Kohm,5%,1/16W,TP,1005	1	S.A	
...4	R7307	2007-000143	R-CHIP;4.7Kohm,5%,1/16W,TP,1005	1	S.A	
...4	R7308	2007-000143	R-CHIP;4.7Kohm,5%,1/16W,TP,1005	1	S.A	
...4	R7309	2007-000143	R-CHIP;4.7Kohm,5%,1/16W,TP,1005	1	S.A	
...4	R7310	2007-000143	R-CHIP;4.7Kohm,5%,1/16W,TP,1005	1	S.A	
...4	R7311	2007-000143	R-CHIP;4.7Kohm,5%,1/16W,TP,1005	1	S.A	
...4	R7312	2007-000143	R-CHIP;4.7Kohm,5%,1/16W,TP,1005	1	S.A	
...4	R7314	2007-000143	R-CHIP;4.7Kohm,5%,1/16W,TP,1005	1	S.A	
...4	R7315	2007-000143	R-CHIP;4.7Kohm,5%,1/16W,TP,1005	1	S.A	
...4	R7316	2007-000143	R-CHIP;4.7Kohm,5%,1/16W,TP,1005	1	S.A	
...4	R7340	2007-000143	R-CHIP;4.7Kohm,5%,1/16W,TP,1005	1	S.A	
...4	R7341	2007-000143	R-CHIP;4.7Kohm,5%,1/16W,TP,1005	1	S.A	
...4	R7342	2007-000143	R-CHIP;4.7Kohm,5%,1/16W,TP,1005	1	S.A	
...4	R7387	2007-000143	R-CHIP;4.7Kohm,5%,1/16W,TP,1005	1	S.A	
...4	R7404	2007-000143	R-CHIP;4.7Kohm,5%,1/16W,TP,1005	1	S.A	
...4	R9026	2007-000143	R-CHIP;4.7Kohm,5%,1/16W,TP,1005	1	S.A	
...4	R9061	2007-000143	R-CHIP;4.7Kohm,5%,1/16W,TP,1005	1	S.A	
...4	R9067	2007-000143	R-CHIP;4.7Kohm,5%,1/16W,TP,1005	1	S.A	
...4	R9068	2007-000143	R-CHIP;4.7Kohm,5%,1/16W,TP,1005	1	S.A	
...4	R1050	2007-000148	R-CHIP;10Kohm,5%,1/16W,TP,1005	1	S.A	
...4	R2049	2007-000148	R-CHIP;10Kohm,5%,1/16W,TP,1005	1	S.A	
...4	R2066	2007-000148	R-CHIP;10Kohm,5%,1/16W,TP,1005	1	S.A	
...4	R2067	2007-000148	R-CHIP;10Kohm,5%,1/16W,TP,1005	1	S.A	
...4	R3134	2007-000148	R-CHIP;10Kohm,5%,1/16W,TP,1005	1	S.A	
...4	R3139	2007-000148	R-CHIP;10Kohm,5%,1/16W,TP,1005	1	S.A	
...4	R3140	2007-000148	R-CHIP;10Kohm,5%,1/16W,TP,1005	1	S.A	
...4	R3174	2007-000148	R-CHIP;10Kohm,5%,1/16W,TP,1005	1	S.A	
...4	R3183	2007-000148	R-CHIP;10Kohm,5%,1/16W,TP,1005	1	S.A	
...4	R3185	2007-000148	R-CHIP;10Kohm,5%,1/16W,TP,1005	1	S.A	
...4	R3186	2007-000148	R-CHIP;10Kohm,5%,1/16W,TP,1005	1	S.A	
...4	R3197_4HDM	2007-000148	R-CHIP;10Kohm,5%,1/16W,TP,1005	1	S.A	
...4	R3199_4HDM	2007-000148	R-CHIP;10Kohm,5%,1/16W,TP,1005	1	S.A	
...4	R3200_4HDM	2007-000148	R-CHIP;10Kohm,5%,1/16W,TP,1005	1	S.A	
...4	R3212	2007-000148	R-CHIP;10Kohm,5%,1/16W,TP,1005	1	S.A	
...4	R3213	2007-000148	R-CHIP;10Kohm,5%,1/16W,TP,1005	1	S.A	
...4	R3214	2007-000148	R-CHIP;10Kohm,5%,1/16W,TP,1005	1	S.A	
...4	R3218	2007-000148	R-CHIP;10Kohm,5%,1/16W,TP,1005	1	S.A	
...4	R3221	2007-000148	R-CHIP;10Kohm,5%,1/16W,TP,1005	1	S.A	

5. Exploded View & Part List

Level	Location No.	Code No.	Description & Specification	Q'ty	SA/SNA	Remark
...4	R3230	2007-000148	R-CHIP;10Kohm,5%,1/16W,TP,1005	1	S.A	
...4	R3611	2007-000148	R-CHIP;10Kohm,5%,1/16W,TP,1005	1	S.A	
...4	R4080	2007-000148	R-CHIP;10Kohm,5%,1/16W,TP,1005	1	S.A	
...4	R4088	2007-000148	R-CHIP;10Kohm,5%,1/16W,TP,1005	1	S.A	
...4	R4098	2007-000148	R-CHIP;10Kohm,5%,1/16W,TP,1005	1	S.A	
...4	R4107	2007-000148	R-CHIP;10Kohm,5%,1/16W,TP,1005	1	S.A	
...4	R4142_IR	2007-000148	R-CHIP;10Kohm,5%,1/16W,TP,1005	1	S.A	
...4	R4155	2007-000148	R-CHIP;10Kohm,5%,1/16W,TP,1005	1	S.A	
...4	R4156	2007-000148	R-CHIP;10Kohm,5%,1/16W,TP,1005	1	S.A	
...4	R4163	2007-000148	R-CHIP;10Kohm,5%,1/16W,TP,1005	1	S.A	
...4	R4168	2007-000148	R-CHIP;10Kohm,5%,1/16W,TP,1005	1	S.A	
...4	R4172_NALM	2007-000148	R-CHIP;10Kohm,5%,1/16W,TP,1005	1	S.A	
...4	R4191_FAN	2007-000148	R-CHIP;10Kohm,5%,1/16W,TP,1005	1	S.A	
...4	R4192_FAN	2007-000148	R-CHIP;10Kohm,5%,1/16W,TP,1005	1	S.A	
...4	R4195_FAN	2007-000148	R-CHIP;10Kohm,5%,1/16W,TP,1005	1	S.A	
...4	R4201	2007-000148	R-CHIP;10Kohm,5%,1/16W,TP,1005	1	S.A	
...4	R4203	2007-000148	R-CHIP;10Kohm,5%,1/16W,TP,1005	1	S.A	
...4	R4206	2007-000148	R-CHIP;10Kohm,5%,1/16W,TP,1005	1	S.A	
...4	R4209	2007-000148	R-CHIP;10Kohm,5%,1/16W,TP,1005	1	S.A	
...4	R4210	2007-000148	R-CHIP;10Kohm,5%,1/16W,TP,1005	1	S.A	
...4	R5043	2007-000148	R-CHIP;10Kohm,5%,1/16W,TP,1005	1	S.A	
...4	R5062	2007-000148	R-CHIP;10Kohm,5%,1/16W,TP,1005	1	S.A	
...4	R5063	2007-000148	R-CHIP;10Kohm,5%,1/16W,TP,1005	1	S.A	
...4	R5067	2007-000148	R-CHIP;10Kohm,5%,1/16W,TP,1005	1	S.A	
...4	R5068	2007-000148	R-CHIP;10Kohm,5%,1/16W,TP,1005	1	S.A	
...4	R6015	2007-000148	R-CHIP;10Kohm,5%,1/16W,TP,1005	1	S.A	
...4	R7042	2007-000148	R-CHIP;10Kohm,5%,1/16W,TP,1005	1	S.A	
...4	R7070	2007-000148	R-CHIP;10Kohm,5%,1/16W,TP,1005	1	S.A	
...4	R7116	2007-000148	R-CHIP;10Kohm,5%,1/16W,TP,1005	1	S.A	
...4	R7117	2007-000148	R-CHIP;10Kohm,5%,1/16W,TP,1005	1	S.A	
...4	R7118	2007-000148	R-CHIP;10Kohm,5%,1/16W,TP,1005	1	S.A	
...4	R7237	2007-000148	R-CHIP;10Kohm,5%,1/16W,TP,1005	1	S.A	
...4	R7253	2007-000148	R-CHIP;10Kohm,5%,1/16W,TP,1005	1	S.A	
...4	R7254	2007-000148	R-CHIP;10Kohm,5%,1/16W,TP,1005	1	S.A	
...4	R7256	2007-000148	R-CHIP;10Kohm,5%,1/16W,TP,1005	1	S.A	
...4	R7274	2007-000148	R-CHIP;10Kohm,5%,1/16W,TP,1005	1	S.A	
...4	R7275	2007-000148	R-CHIP;10Kohm,5%,1/16W,TP,1005	1	S.A	
...4	R7276	2007-000148	R-CHIP;10Kohm,5%,1/16W,TP,1005	1	S.A	
...4	R7277	2007-000148	R-CHIP;10Kohm,5%,1/16W,TP,1005	1	S.A	
...4	R7278	2007-000148	R-CHIP;10Kohm,5%,1/16W,TP,1005	1	S.A	
...4	R7279	2007-000148	R-CHIP;10Kohm,5%,1/16W,TP,1005	1	S.A	
...4	R7319	2007-000148	R-CHIP;10Kohm,5%,1/16W,TP,1005	1	S.A	
...4	R7338	2007-000148	R-CHIP;10Kohm,5%,1/16W,TP,1005	1	S.A	
...4	R7349	2007-000148	R-CHIP;10Kohm,5%,1/16W,TP,1005	1	S.A	
...4	R7350	2007-000148	R-CHIP;10Kohm,5%,1/16W,TP,1005	1	S.A	
...4	R7356	2007-000148	R-CHIP;10Kohm,5%,1/16W,TP,1005	1	S.A	
...4	R7362	2007-000148	R-CHIP;10Kohm,5%,1/16W,TP,1005	1	S.A	
...4	R7367	2007-000148	R-CHIP;10Kohm,5%,1/16W,TP,1005	1	S.A	
...4	R7371	2007-000148	R-CHIP;10Kohm,5%,1/16W,TP,1005	1	S.A	
...4	R7372	2007-000148	R-CHIP;10Kohm,5%,1/16W,TP,1005	1	S.A	
...4	R7378	2007-000148	R-CHIP;10Kohm,5%,1/16W,TP,1005	1	S.A	

## 5. Exploded View &amp; Part List

Level	Location No.	Code No.	Description & Specification	Q'ty	SA/SNA	Remark
...4	R7752	2007-000148	R-CHIP;10Kohm,5%,1/16W,TP,1005	1	S.A	
...4	R9001	2007-000148	R-CHIP;10Kohm,5%,1/16W,TP,1005	1	S.A	
...4	R9011	2007-000148	R-CHIP;10Kohm,5%,1/16W,TP,1005	1	S.A	
...4	R9021	2007-000148	R-CHIP;10Kohm,5%,1/16W,TP,1005	1	S.A	
...4	R9024	2007-000148	R-CHIP;10Kohm,5%,1/16W,TP,1005	1	S.A	
...4	R9025	2007-000148	R-CHIP;10Kohm,5%,1/16W,TP,1005	1	S.A	
...4	R9057	2007-000148	R-CHIP;10Kohm,5%,1/16W,TP,1005	1	S.A	
...4	R9060	2007-000148	R-CHIP;10Kohm,5%,1/16W,TP,1005	1	S.A	
...4	R9062	2007-000148	R-CHIP;10Kohm,5%,1/16W,TP,1005	1	S.A	
...4	R9063	2007-000148	R-CHIP;10Kohm,5%,1/16W,TP,1005	1	S.A	
...4	R9064	2007-000148	R-CHIP;10Kohm,5%,1/16W,TP,1005	1	S.A	
...4	R9569	2007-000148	R-CHIP;10Kohm,5%,1/16W,TP,1005	1	S.A	
...4	R9570	2007-000148	R-CHIP;10Kohm,5%,1/16W,TP,1005	1	S.A	
...4	R1027	2007-000153	R-CHIP;22Kohm,5%,1/16W,TP,1005	1	S.A	
...4	R5026	2007-000153	R-CHIP;22Kohm,5%,1/16W,TP,1005	1	S.A	
...4	R4072_CEC	2007-000155	R-CHIP;27Kohm,5%,1/16W,TP,1005	1	S.A	
...4	R3011	2007-000157	R-CHIP;47Kohm,5%,1/16W,TP,1005	1	S.A	
...4	R3013	2007-000157	R-CHIP;47Kohm,5%,1/16W,TP,1005	1	S.A	
...4	R3059	2007-000157	R-CHIP;47Kohm,5%,1/16W,TP,1005	1	S.A	
...4	R3061	2007-000157	R-CHIP;47Kohm,5%,1/16W,TP,1005	1	S.A	
...4	R3072	2007-000157	R-CHIP;47Kohm,5%,1/16W,TP,1005	1	S.A	
...4	R3080	2007-000157	R-CHIP;47Kohm,5%,1/16W,TP,1005	1	S.A	
...4	R3101_NSID	2007-000157	R-CHIP;47Kohm,5%,1/16W,TP,1005	1	S.A	
...4	R3102_NSID	2007-000157	R-CHIP;47Kohm,5%,1/16W,TP,1005	1	S.A	
...4	R3103_NSID	2007-000157	R-CHIP;47Kohm,5%,1/16W,TP,1005	1	S.A	
...4	R3104_NSID	2007-000157	R-CHIP;47Kohm,5%,1/16W,TP,1005	1	S.A	
...4	R3211	2007-000157	R-CHIP;47Kohm,5%,1/16W,TP,1005	1	S.A	
...4	R3215	2007-000157	R-CHIP;47Kohm,5%,1/16W,TP,1005	1	S.A	
...4	R3219	2007-000157	R-CHIP;47Kohm,5%,1/16W,TP,1005	1	S.A	
...4	R3229	2007-000157	R-CHIP;47Kohm,5%,1/16W,TP,1005	1	S.A	
...4	R3616	2007-000157	R-CHIP;47Kohm,5%,1/16W,TP,1005	1	S.A	
...4	R3617	2007-000157	R-CHIP;47Kohm,5%,1/16W,TP,1005	1	S.A	
...4	R4177	2007-000157	R-CHIP;47Kohm,5%,1/16W,TP,1005	1	S.A	
...4	R4174_CEC	2007-000159	R-CHIP;56Kohm,5%,1/16W,TP,1005	1	S.A	
...4	R4086	2007-000170	R-CHIP;1Mohm,5%,1/16W,TP,1005	1	S.A	
...4	R9008	2007-000170	R-CHIP;1Mohm,5%,1/16W,TP,1005	1	S.A	
...4	R9073	2007-000170	R-CHIP;1Mohm,5%,1/16W,TP,1005	1	S.A	
...4	L850	2007-000171	R-CHIP;0ohm,5%,1/16W,TP,1005	1	S.A	
...4	L850_40	2007-000171	R-CHIP;0ohm,5%,1/16W,TP,1005	1	S.A	
...4	L950	2007-000171	R-CHIP;0ohm,5%,1/16W,TP,1005	1	S.A	
...4	L950_46	2007-000171	R-CHIP;0ohm,5%,1/16W,TP,1005	1	S.A	
...4	R1040	2007-000171	R-CHIP;0ohm,5%,1/16W,TP,1005	1	S.A	
...4	R1565	2007-000171	R-CHIP;0ohm,5%,1/16W,TP,1005	1	S.A	
...4	R2065	2007-000171	R-CHIP;0ohm,5%,1/16W,TP,1005	1	S.A	
...4	R2084_4SPK	2007-000171	R-CHIP;0ohm,5%,1/16W,TP,1005	1	S.A	
...4	R2085_4SPK	2007-000171	R-CHIP;0ohm,5%,1/16W,TP,1005	1	S.A	
...4	R2086	2007-000171	R-CHIP;0ohm,5%,1/16W,TP,1005	1	S.A	
...4	R3029	2007-000171	R-CHIP;0ohm,5%,1/16W,TP,1005	1	S.A	
...4	R3065	2007-000171	R-CHIP;0ohm,5%,1/16W,TP,1005	1	S.A	
...4	R3074	2007-000171	R-CHIP;0ohm,5%,1/16W,TP,1005	1	S.A	
...4	R3109	2007-000171	R-CHIP;0ohm,5%,1/16W,TP,1005	1	S.A	

5. Exploded View & Part List

Level	Location No.	Code No.	Description & Specification	Q'ty	SA/SNA	Remark
...4	R3123_NSID	2007-000171	R-CHIP;0ohm,5%,1/16W,TP,1005	1	S.A	
...4	R3125_NSID	2007-000171	R-CHIP;0ohm,5%,1/16W,TP,1005	1	S.A	
...4	R3167_4HDM	2007-000171	R-CHIP;0ohm,5%,1/16W,TP,1005	1	S.A	
...4	R3187	2007-000171	R-CHIP;0ohm,5%,1/16W,TP,1005	1	S.A	
...4	R3192	2007-000171	R-CHIP;0ohm,5%,1/16W,TP,1005	1	S.A	
...4	R3193	2007-000171	R-CHIP;0ohm,5%,1/16W,TP,1005	1	S.A	
...4	R3220	2007-000171	R-CHIP;0ohm,5%,1/16W,TP,1005	1	S.A	
...4	R3301	2007-000171	R-CHIP;0ohm,5%,1/16W,TP,1005	1	S.A	
...4	R3302	2007-000171	R-CHIP;0ohm,5%,1/16W,TP,1005	1	S.A	
...4	R3303	2007-000171	R-CHIP;0ohm,5%,1/16W,TP,1005	1	S.A	
...4	R3304	2007-000171	R-CHIP;0ohm,5%,1/16W,TP,1005	1	S.A	
...4	R3305	2007-000171	R-CHIP;0ohm,5%,1/16W,TP,1005	1	S.A	
...4	R3306	2007-000171	R-CHIP;0ohm,5%,1/16W,TP,1005	1	S.A	
...4	R3307	2007-000171	R-CHIP;0ohm,5%,1/16W,TP,1005	1	S.A	
...4	R3308	2007-000171	R-CHIP;0ohm,5%,1/16W,TP,1005	1	S.A	
...4	R3332_NSID	2007-000171	R-CHIP;0ohm,5%,1/16W,TP,1005	1	S.A	
...4	R3403	2007-000171	R-CHIP;0ohm,5%,1/16W,TP,1005	1	S.A	
...4	R3404	2007-000171	R-CHIP;0ohm,5%,1/16W,TP,1005	1	S.A	
...4	R3405	2007-000171	R-CHIP;0ohm,5%,1/16W,TP,1005	1	S.A	
...4	R3423	2007-000171	R-CHIP;0ohm,5%,1/16W,TP,1005	1	S.A	
...4	R3505_NPX	2007-000171	R-CHIP;0ohm,5%,1/16W,TP,1005	1	S.A	
...4	R3506_NPX	2007-000171	R-CHIP;0ohm,5%,1/16W,TP,1005	1	S.A	
...4	R3509_NPX	2007-000171	R-CHIP;0ohm,5%,1/16W,TP,1005	1	S.A	
...4	R3510_NPX	2007-000171	R-CHIP;0ohm,5%,1/16W,TP,1005	1	S.A	
...4	R3601	2007-000171	R-CHIP;0ohm,5%,1/16W,TP,1005	1	S.A	
...4	R3602	2007-000171	R-CHIP;0ohm,5%,1/16W,TP,1005	1	S.A	
...4	R3603	2007-000171	R-CHIP;0ohm,5%,1/16W,TP,1005	1	S.A	
...4	R3604	2007-000171	R-CHIP;0ohm,5%,1/16W,TP,1005	1	S.A	
...4	R3605	2007-000171	R-CHIP;0ohm,5%,1/16W,TP,1005	1	S.A	
...4	R3606	2007-000171	R-CHIP;0ohm,5%,1/16W,TP,1005	1	S.A	
...4	R3607	2007-000171	R-CHIP;0ohm,5%,1/16W,TP,1005	1	S.A	
...4	R3608	2007-000171	R-CHIP;0ohm,5%,1/16W,TP,1005	1	S.A	
...4	R3609	2007-000171	R-CHIP;0ohm,5%,1/16W,TP,1005	1	S.A	
...4	R3610	2007-000171	R-CHIP;0ohm,5%,1/16W,TP,1005	1	S.A	
...4	R3613	2007-000171	R-CHIP;0ohm,5%,1/16W,TP,1005	1	S.A	
...4	R3614	2007-000171	R-CHIP;0ohm,5%,1/16W,TP,1005	1	S.A	
...4	R3618	2007-000171	R-CHIP;0ohm,5%,1/16W,TP,1005	1	S.A	
...4	R3619	2007-000171	R-CHIP;0ohm,5%,1/16W,TP,1005	1	S.A	
...4	R3626	2007-000171	R-CHIP;0ohm,5%,1/16W,TP,1005	1	S.A	
...4	R3627	2007-000171	R-CHIP;0ohm,5%,1/16W,TP,1005	1	S.A	
...4	R3628	2007-000171	R-CHIP;0ohm,5%,1/16W,TP,1005	1	S.A	
...4	R3629	2007-000171	R-CHIP;0ohm,5%,1/16W,TP,1005	1	S.A	
...4	R3638	2007-000171	R-CHIP;0ohm,5%,1/16W,TP,1005	1	S.A	
...4	R3639	2007-000171	R-CHIP;0ohm,5%,1/16W,TP,1005	1	S.A	
...4	R3640	2007-000171	R-CHIP;0ohm,5%,1/16W,TP,1005	1	S.A	
...4	R3643	2007-000171	R-CHIP;0ohm,5%,1/16W,TP,1005	1	S.A	
...4	R3650	2007-000171	R-CHIP;0ohm,5%,1/16W,TP,1005	1	S.A	
...4	R4020_T	2007-000171	R-CHIP;0ohm,5%,1/16W,TP,1005	1	S.A	
...4	R4021_T	2007-000171	R-CHIP;0ohm,5%,1/16W,TP,1005	1	S.A	
...4	R4022_T	2007-000171	R-CHIP;0ohm,5%,1/16W,TP,1005	1	S.A	
...4	R4059	2007-000171	R-CHIP;0ohm,5%,1/16W,TP,1005	1	S.A	



## 5. Exploded View &amp; Part List

Level	Location No.	Code No.	Description & Specification	Q'ty	SA/SNA	Remark
...4	R4063	2007-000171	R-CHIP;0ohm,5%,1/16W,TP,1005	1	S.A	
...4	R4064	2007-000171	R-CHIP;0ohm,5%,1/16W,TP,1005	1	S.A	
...4	R4067	2007-000171	R-CHIP;0ohm,5%,1/16W,TP,1005	1	S.A	
...4	R4068	2007-000171	R-CHIP;0ohm,5%,1/16W,TP,1005	1	S.A	
...4	R4069	2007-000171	R-CHIP;0ohm,5%,1/16W,TP,1005	1	S.A	
...4	R4071	2007-000171	R-CHIP;0ohm,5%,1/16W,TP,1005	1	S.A	
...4	R4099	2007-000171	R-CHIP;0ohm,5%,1/16W,TP,1005	1	S.A	
...4	R4105	2007-000171	R-CHIP;0ohm,5%,1/16W,TP,1005	1	S.A	
...4	R4106	2007-000171	R-CHIP;0ohm,5%,1/16W,TP,1005	1	S.A	
...4	R4109	2007-000171	R-CHIP;0ohm,5%,1/16W,TP,1005	1	S.A	
...4	R4110	2007-000171	R-CHIP;0ohm,5%,1/16W,TP,1005	1	S.A	
...4	R4111	2007-000171	R-CHIP;0ohm,5%,1/16W,TP,1005	1	S.A	
...4	R4112	2007-000171	R-CHIP;0ohm,5%,1/16W,TP,1005	1	S.A	
...4	R4116	2007-000171	R-CHIP;0ohm,5%,1/16W,TP,1005	1	S.A	
...4	R4118	2007-000171	R-CHIP;0ohm,5%,1/16W,TP,1005	1	S.A	
...4	R4121	2007-000171	R-CHIP;0ohm,5%,1/16W,TP,1005	1	S.A	
...4	R4140	2007-000171	R-CHIP;0ohm,5%,1/16W,TP,1005	1	S.A	
...4	R4143	2007-000171	R-CHIP;0ohm,5%,1/16W,TP,1005	1	S.A	
...4	R4144	2007-000171	R-CHIP;0ohm,5%,1/16W,TP,1005	1	S.A	
...4	R4176	2007-000171	R-CHIP;0ohm,5%,1/16W,TP,1005	1	S.A	
...4	R4179	2007-000171	R-CHIP;0ohm,5%,1/16W,TP,1005	1	S.A	
...4	R4180	2007-000171	R-CHIP;0ohm,5%,1/16W,TP,1005	1	S.A	
...4	R4181	2007-000171	R-CHIP;0ohm,5%,1/16W,TP,1005	1	S.A	
...4	R4205	2007-000171	R-CHIP;0ohm,5%,1/16W,TP,1005	1	S.A	
...4	R4220_T	2007-000171	R-CHIP;0ohm,5%,1/16W,TP,1005	1	S.A	
...4	R4221_T	2007-000171	R-CHIP;0ohm,5%,1/16W,TP,1005	1	S.A	
...4	R4222_T	2007-000171	R-CHIP;0ohm,5%,1/16W,TP,1005	1	S.A	
...4	R4223_T	2007-000171	R-CHIP;0ohm,5%,1/16W,TP,1005	1	S.A	
...4	R4224_T	2007-000171	R-CHIP;0ohm,5%,1/16W,TP,1005	1	S.A	
...4	R4225_T	2007-000171	R-CHIP;0ohm,5%,1/16W,TP,1005	1	S.A	
...4	R4226_T	2007-000171	R-CHIP;0ohm,5%,1/16W,TP,1005	1	S.A	
...4	R4227_T	2007-000171	R-CHIP;0ohm,5%,1/16W,TP,1005	1	S.A	
...4	R5020	2007-000171	R-CHIP;0ohm,5%,1/16W,TP,1005	1	S.A	
...4	R5023	2007-000171	R-CHIP;0ohm,5%,1/16W,TP,1005	1	S.A	
...4	R5024	2007-000171	R-CHIP;0ohm,5%,1/16W,TP,1005	1	S.A	
...4	R5030	2007-000171	R-CHIP;0ohm,5%,1/16W,TP,1005	1	S.A	
...4	R5032	2007-000171	R-CHIP;0ohm,5%,1/16W,TP,1005	1	S.A	
...4	R6022_T	2007-000171	R-CHIP;0ohm,5%,1/16W,TP,1005	1	S.A	
...4	R6023_T	2007-000171	R-CHIP;0ohm,5%,1/16W,TP,1005	1	S.A	
...4	R6024_T	2007-000171	R-CHIP;0ohm,5%,1/16W,TP,1005	1	S.A	
...4	R6026_T	2007-000171	R-CHIP;0ohm,5%,1/16W,TP,1005	1	S.A	
...4	R6030	2007-000171	R-CHIP;0ohm,5%,1/16W,TP,1005	1	S.A	
...4	R6042	2007-000171	R-CHIP;0ohm,5%,1/16W,TP,1005	1	S.A	
...4	R6047_100H	2007-000171	R-CHIP;0ohm,5%,1/16W,TP,1005	1	S.A	
...4	R6050_100H	2007-000171	R-CHIP;0ohm,5%,1/16W,TP,1005	1	S.A	
...4	R6051_100P	2007-000171	R-CHIP;0ohm,5%,1/16W,TP,1005	1	S.A	
...4	R6052_100P	2007-000171	R-CHIP;0ohm,5%,1/16W,TP,1005	1	S.A	
...4	R6053_100H	2007-000171	R-CHIP;0ohm,5%,1/16W,TP,1005	1	S.A	
...4	R6054_100H	2007-000171	R-CHIP;0ohm,5%,1/16W,TP,1005	1	S.A	
...4	R6056_FJDA	2007-000171	R-CHIP;0ohm,5%,1/16W,TP,1005	1	S.A	
...4	R6068_T	2007-000171	R-CHIP;0ohm,5%,1/16W,TP,1005	1	S.A	

5. Exploded View & Part List

Level	Location No.	Code No.	Description & Specification	Q'ty	SA/SNA	Remark
...4	R6069_T	2007-000171	R-CHIP;0ohm,5%,1/16W,TP,1005	1	S.A	
...4	R6070_T	2007-000171	R-CHIP;0ohm,5%,1/16W,TP,1005	1	S.A	
...4	R6073_100H	2007-000171	R-CHIP;0ohm,5%,1/16W,TP,1005	1	S.A	
...4	R6074_100H	2007-000171	R-CHIP;0ohm,5%,1/16W,TP,1005	1	S.A	
...4	R6078_FBE3	2007-000171	R-CHIP;0ohm,5%,1/16W,TP,1005	1	S.A	
...4	R6083_100H	2007-000171	R-CHIP;0ohm,5%,1/16W,TP,1005	1	S.A	
...4	R6084_100H	2007-000171	R-CHIP;0ohm,5%,1/16W,TP,1005	1	S.A	
...4	R6133	2007-000171	R-CHIP;0ohm,5%,1/16W,TP,1005	1	S.A	
...4	R6204	2007-000171	R-CHIP;0ohm,5%,1/16W,TP,1005	1	S.A	
...4	R6205	2007-000171	R-CHIP;0ohm,5%,1/16W,TP,1005	1	S.A	
...4	R6206	2007-000171	R-CHIP;0ohm,5%,1/16W,TP,1005	1	S.A	
...4	R6207	2007-000171	R-CHIP;0ohm,5%,1/16W,TP,1005	1	S.A	
...4	R7029	2007-000171	R-CHIP;0ohm,5%,1/16W,TP,1005	1	S.A	
...4	R7031_T	2007-000171	R-CHIP;0ohm,5%,1/16W,TP,1005	1	S.A	
...4	R7043_T	2007-000171	R-CHIP;0ohm,5%,1/16W,TP,1005	1	S.A	
...4	R7044	2007-000171	R-CHIP;0ohm,5%,1/16W,TP,1005	1	S.A	
...4	R7096	2007-000171	R-CHIP;0ohm,5%,1/16W,TP,1005	1	S.A	
...4	R7097	2007-000171	R-CHIP;0ohm,5%,1/16W,TP,1005	1	S.A	
...4	R7114	2007-000171	R-CHIP;0ohm,5%,1/16W,TP,1005	1	S.A	
...4	R7115	2007-000171	R-CHIP;0ohm,5%,1/16W,TP,1005	1	S.A	
...4	R7243	2007-000171	R-CHIP;0ohm,5%,1/16W,TP,1005	1	S.A	
...4	R7244	2007-000171	R-CHIP;0ohm,5%,1/16W,TP,1005	1	S.A	
...4	R7247	2007-000171	R-CHIP;0ohm,5%,1/16W,TP,1005	1	S.A	
...4	R7249	2007-000171	R-CHIP;0ohm,5%,1/16W,TP,1005	1	S.A	
...4	R7250	2007-000171	R-CHIP;0ohm,5%,1/16W,TP,1005	1	S.A	
...4	R7251	2007-000171	R-CHIP;0ohm,5%,1/16W,TP,1005	1	S.A	
...4	R7273	2007-000171	R-CHIP;0ohm,5%,1/16W,TP,1005	1	S.A	
...4	R7282	2007-000171	R-CHIP;0ohm,5%,1/16W,TP,1005	1	S.A	
...4	R7313	2007-000171	R-CHIP;0ohm,5%,1/16W,TP,1005	1	S.A	
...4	R7318	2007-000171	R-CHIP;0ohm,5%,1/16W,TP,1005	1	S.A	
...4	R7339	2007-000171	R-CHIP;0ohm,5%,1/16W,TP,1005	1	S.A	
...4	R7343	2007-000171	R-CHIP;0ohm,5%,1/16W,TP,1005	1	S.A	
...4	R7344	2007-000171	R-CHIP;0ohm,5%,1/16W,TP,1005	1	S.A	
...4	R7345	2007-000171	R-CHIP;0ohm,5%,1/16W,TP,1005	1	S.A	
...4	R7347	2007-000171	R-CHIP;0ohm,5%,1/16W,TP,1005	1	S.A	
...4	R7389	2007-000171	R-CHIP;0ohm,5%,1/16W,TP,1005	1	S.A	
...4	R7390	2007-000171	R-CHIP;0ohm,5%,1/16W,TP,1005	1	S.A	
...4	R7392	2007-000171	R-CHIP;0ohm,5%,1/16W,TP,1005	1	S.A	
...4	R7401	2007-000171	R-CHIP;0ohm,5%,1/16W,TP,1005	1	S.A	
...4	R7406	2007-000171	R-CHIP;0ohm,5%,1/16W,TP,1005	1	S.A	
...4	R7407	2007-000171	R-CHIP;0ohm,5%,1/16W,TP,1005	1	S.A	
...4	R7410	2007-000171	R-CHIP;0ohm,5%,1/16W,TP,1005	1	S.A	
...4	R7411	2007-000171	R-CHIP;0ohm,5%,1/16W,TP,1005	1	S.A	
...4	R7412	2007-000171	R-CHIP;0ohm,5%,1/16W,TP,1005	1	S.A	
...4	R7421	2007-000171	R-CHIP;0ohm,5%,1/16W,TP,1005	1	S.A	
...4	R7422	2007-000171	R-CHIP;0ohm,5%,1/16W,TP,1005	1	S.A	
...4	R7423	2007-000171	R-CHIP;0ohm,5%,1/16W,TP,1005	1	S.A	
...4	R7424	2007-000171	R-CHIP;0ohm,5%,1/16W,TP,1005	1	S.A	
...4	R7425	2007-000171	R-CHIP;0ohm,5%,1/16W,TP,1005	1	S.A	
...4	R7426	2007-000171	R-CHIP;0ohm,5%,1/16W,TP,1005	1	S.A	
...4	R7427	2007-000171	R-CHIP;0ohm,5%,1/16W,TP,1005	1	S.A	



## 5. Exploded View &amp; Part List

Level	Location No.	Code No.	Description & Specification	Q'ty	SA/SNA	Remark
...4	R7430	2007-000171	R-CHIP;0ohm,5%,1/16W,TP,1005	1	S.A	
...4	R7431	2007-000171	R-CHIP;0ohm,5%,1/16W,TP,1005	1	S.A	
...4	R7432	2007-000171	R-CHIP;0ohm,5%,1/16W,TP,1005	1	S.A	
...4	R7436	2007-000171	R-CHIP;0ohm,5%,1/16W,TP,1005	1	S.A	
...4	R9010	2007-000171	R-CHIP;0ohm,5%,1/16W,TP,1005	1	S.A	
...4	R9012	2007-000171	R-CHIP;0ohm,5%,1/16W,TP,1005	1	S.A	
...4	R9013	2007-000171	R-CHIP;0ohm,5%,1/16W,TP,1005	1	S.A	
...4	R9015	2007-000171	R-CHIP;0ohm,5%,1/16W,TP,1005	1	S.A	
...4	R9018	2007-000171	R-CHIP;0ohm,5%,1/16W,TP,1005	1	S.A	
...4	R9034	2007-000171	R-CHIP;0ohm,5%,1/16W,TP,1005	1	S.A	
...4	R9035	2007-000171	R-CHIP;0ohm,5%,1/16W,TP,1005	1	S.A	
...4	R9036	2007-000171	R-CHIP;0ohm,5%,1/16W,TP,1005	1	S.A	
...4	R9037	2007-000171	R-CHIP;0ohm,5%,1/16W,TP,1005	1	S.A	
...4	R9038	2007-000171	R-CHIP;0ohm,5%,1/16W,TP,1005	1	S.A	
...4	R9056	2007-000171	R-CHIP;0ohm,5%,1/16W,TP,1005	1	S.A	
...4	R9070	2007-000171	R-CHIP;0ohm,5%,1/16W,TP,1005	1	S.A	
...4	R9071	2007-000171	R-CHIP;0ohm,5%,1/16W,TP,1005	1	S.A	
...4	R9170	2007-000171	R-CHIP;0ohm,5%,1/16W,TP,1005	1	S.A	
...4	R9171	2007-000171	R-CHIP;0ohm,5%,1/16W,TP,1005	1	S.A	
...4	R9172	2007-000171	R-CHIP;0ohm,5%,1/16W,TP,1005	1	S.A	
...4	R9173	2007-000171	R-CHIP;0ohm,5%,1/16W,TP,1005	1	S.A	
...4	R9568	2007-000171	R-CHIP;0ohm,5%,1/16W,TP,1005	1	S.A	
...4	R1606	2007-000172	R-CHIP;10ohm,5%,1/16W,TP,1005	1	S.A	
...4	R3630	2007-000172	R-CHIP;10ohm,5%,1/16W,TP,1005	1	S.A	
...4	R3631	2007-000172	R-CHIP;10ohm,5%,1/16W,TP,1005	1	S.A	
...4	R3632	2007-000172	R-CHIP;10ohm,5%,1/16W,TP,1005	1	S.A	
...4	R3633	2007-000172	R-CHIP;10ohm,5%,1/16W,TP,1005	1	S.A	
...4	R3634	2007-000172	R-CHIP;10ohm,5%,1/16W,TP,1005	1	S.A	
...4	R3635	2007-000172	R-CHIP;10ohm,5%,1/16W,TP,1005	1	S.A	
...4	R3636	2007-000172	R-CHIP;10ohm,5%,1/16W,TP,1005	1	S.A	
...4	R3637	2007-000172	R-CHIP;10ohm,5%,1/16W,TP,1005	1	S.A	
...4	R4117	2007-000172	R-CHIP;10ohm,5%,1/16W,TP,1005	1	S.A	
...4	R5038	2007-000172	R-CHIP;10ohm,5%,1/16W,TP,1005	1	S.A	
...4	R5039	2007-000172	R-CHIP;10ohm,5%,1/16W,TP,1005	1	S.A	
...4	R9007	2007-000172	R-CHIP;10ohm,5%,1/16W,TP,1005	1	S.A	
...4	R9022	2007-000172	R-CHIP;10ohm,5%,1/16W,TP,1005	1	S.A	
...4	R9023	2007-000172	R-CHIP;10ohm,5%,1/16W,TP,1005	1	S.A	
...4	R9028	2007-000172	R-CHIP;10ohm,5%,1/16W,TP,1005	1	S.A	
...4	R9045	2007-000172	R-CHIP;10ohm,5%,1/16W,TP,1005	1	S.A	
...4	R3169	2007-000173	R-CHIP;22ohm,5%,1/16W,TP,1005	1	S.A	
...4	R3173	2007-000173	R-CHIP;22ohm,5%,1/16W,TP,1005	1	S.A	
...4	R4011	2007-000173	R-CHIP;22ohm,5%,1/16W,TP,1005	1	S.A	
...4	R4012	2007-000173	R-CHIP;22ohm,5%,1/16W,TP,1005	1	S.A	
...4	R4013	2007-000173	R-CHIP;22ohm,5%,1/16W,TP,1005	1	S.A	
...4	R4014	2007-000173	R-CHIP;22ohm,5%,1/16W,TP,1005	1	S.A	
...4	R6028	2007-000173	R-CHIP;22ohm,5%,1/16W,TP,1005	1	S.A	
...4	R7084	2007-000173	R-CHIP;22ohm,5%,1/16W,TP,1005	1	S.A	
...4	R7085	2007-000173	R-CHIP;22ohm,5%,1/16W,TP,1005	1	S.A	
...4	R7086	2007-000173	R-CHIP;22ohm,5%,1/16W,TP,1005	1	S.A	
...4	R7087	2007-000173	R-CHIP;22ohm,5%,1/16W,TP,1005	1	S.A	
...4	R7088	2007-000173	R-CHIP;22ohm,5%,1/16W,TP,1005	1	S.A	

5. Exploded View & Part List

Level	Location No.	Code No.	Description & Specification	Q'ty	SA/SNA	Remark
...4	R7089	2007-000173	R-CHIP;22ohm,5%,1/16W,TP,1005	1	S.A	
...4	R7091	2007-000173	R-CHIP;22ohm,5%,1/16W,TP,1005	1	S.A	
...4	R7092	2007-000173	R-CHIP;22ohm,5%,1/16W,TP,1005	1	S.A	
...4	R7093	2007-000173	R-CHIP;22ohm,5%,1/16W,TP,1005	1	S.A	
...4	R7094	2007-000173	R-CHIP;22ohm,5%,1/16W,TP,1005	1	S.A	
...4	R7095	2007-000173	R-CHIP;22ohm,5%,1/16W,TP,1005	1	S.A	
...4	R7099	2007-000173	R-CHIP;22ohm,5%,1/16W,TP,1005	1	S.A	
...4	R7102	2007-000173	R-CHIP;22ohm,5%,1/16W,TP,1005	1	S.A	
...4	R7103	2007-000173	R-CHIP;22ohm,5%,1/16W,TP,1005	1	S.A	
...4	R7104	2007-000173	R-CHIP;22ohm,5%,1/16W,TP,1005	1	S.A	
...4	R7105	2007-000173	R-CHIP;22ohm,5%,1/16W,TP,1005	1	S.A	
...4	R7106	2007-000173	R-CHIP;22ohm,5%,1/16W,TP,1005	1	S.A	
...4	R7107	2007-000173	R-CHIP;22ohm,5%,1/16W,TP,1005	1	S.A	
...4	R7108	2007-000173	R-CHIP;22ohm,5%,1/16W,TP,1005	1	S.A	
...4	R7109	2007-000173	R-CHIP;22ohm,5%,1/16W,TP,1005	1	S.A	
...4	R7110	2007-000173	R-CHIP;22ohm,5%,1/16W,TP,1005	1	S.A	
...4	R7111	2007-000173	R-CHIP;22ohm,5%,1/16W,TP,1005	1	S.A	
...4	R7112	2007-000173	R-CHIP;22ohm,5%,1/16W,TP,1005	1	S.A	
...4	R7113	2007-000173	R-CHIP;22ohm,5%,1/16W,TP,1005	1	S.A	
...4	R2087	2007-000174	R-CHIP;47ohm,5%,1/16W,TP,1005	1	S.N.A	
...4	R2088	2007-000174	R-CHIP;47ohm,5%,1/16W,TP,1005	1	S.N.A	
...4	R3039	2007-000174	R-CHIP;47ohm,5%,1/16W,TP,1005	1	S.N.A	
...4	R3040	2007-000174	R-CHIP;47ohm,5%,1/16W,TP,1005	1	S.N.A	
...4	R3043	2007-000174	R-CHIP;47ohm,5%,1/16W,TP,1005	1	S.N.A	
...4	R3044	2007-000174	R-CHIP;47ohm,5%,1/16W,TP,1005	1	S.N.A	
...4	R3083	2007-000174	R-CHIP;47ohm,5%,1/16W,TP,1005	1	S.N.A	
...4	R3093	2007-000174	R-CHIP;47ohm,5%,1/16W,TP,1005	1	S.N.A	
...4	R3094	2007-000174	R-CHIP;47ohm,5%,1/16W,TP,1005	1	S.N.A	
...4	R3095	2007-000174	R-CHIP;47ohm,5%,1/16W,TP,1005	1	S.N.A	
...4	R3096	2007-000174	R-CHIP;47ohm,5%,1/16W,TP,1005	1	S.N.A	
...4	R3097	2007-000174	R-CHIP;47ohm,5%,1/16W,TP,1005	1	S.N.A	
...4	R3098	2007-000174	R-CHIP;47ohm,5%,1/16W,TP,1005	1	S.N.A	
...4	R3115	2007-000174	R-CHIP;47ohm,5%,1/16W,TP,1005	1	S.N.A	
...4	R3116	2007-000174	R-CHIP;47ohm,5%,1/16W,TP,1005	1	S.N.A	
...4	R3141	2007-000174	R-CHIP;47ohm,5%,1/16W,TP,1005	1	S.N.A	
...4	R3142	2007-000174	R-CHIP;47ohm,5%,1/16W,TP,1005	1	S.N.A	
...4	R3175	2007-000174	R-CHIP;47ohm,5%,1/16W,TP,1005	1	S.N.A	
...4	R3177	2007-000174	R-CHIP;47ohm,5%,1/16W,TP,1005	1	S.N.A	
...4	R3178	2007-000174	R-CHIP;47ohm,5%,1/16W,TP,1005	1	S.N.A	
...4	R3180	2007-000174	R-CHIP;47ohm,5%,1/16W,TP,1005	1	S.N.A	
...4	R3188	2007-000174	R-CHIP;47ohm,5%,1/16W,TP,1005	1	S.N.A	
...4	R3189	2007-000174	R-CHIP;47ohm,5%,1/16W,TP,1005	1	S.N.A	
...4	R3201_4HDM	2007-000174	R-CHIP;47ohm,5%,1/16W,TP,1005	1	S.N.A	
...4	R3202_4HDM	2007-000174	R-CHIP;47ohm,5%,1/16W,TP,1005	1	S.N.A	
...4	R3216	2007-000174	R-CHIP;47ohm,5%,1/16W,TP,1005	1	S.N.A	
...4	R3217	2007-000174	R-CHIP;47ohm,5%,1/16W,TP,1005	1	S.N.A	
...4	R3222	2007-000174	R-CHIP;47ohm,5%,1/16W,TP,1005	1	S.N.A	
...4	R3223	2007-000174	R-CHIP;47ohm,5%,1/16W,TP,1005	1	S.N.A	
...4	R4055_T	2007-000174	R-CHIP;47ohm,5%,1/16W,TP,1005	1	S.N.A	
...4	R4056_T	2007-000174	R-CHIP;47ohm,5%,1/16W,TP,1005	1	S.N.A	
...4	R4057_T	2007-000174	R-CHIP;47ohm,5%,1/16W,TP,1005	1	S.N.A	



5. Exploded View & Part List

Level	Location No.	Code No.	Description & Specification	Q'ty	SA/SNA	Remark
...4	R7403	2007-000174	R-CHIP;47ohm,5%,1/16W,TP,1005	1	S.N.A	
...4	R7405	2007-000174	R-CHIP;47ohm,5%,1/16W,TP,1005	1	S.N.A	
...4	R7442	2007-000174	R-CHIP;47ohm,5%,1/16W,TP,1005	1	S.N.A	
...4	R3132	2007-000312	R-CHIP;10ohm,5%,1/4W,TP,3216	1	S.A	
...4	R3133	2007-000312	R-CHIP;10ohm,5%,1/4W,TP,3216	1	S.A	
...4	R4015_T	2007-000372	R-CHIP;130ohm,5%,1/10W,TP,1608	1	S.A	
...4	R4016_T	2007-000372	R-CHIP;130ohm,5%,1/10W,TP,1608	1	S.A	
...4	R4017_T	2007-000372	R-CHIP;130ohm,5%,1/10W,TP,1608	1	S.A	
...4	R2050	2007-000414	R-CHIP;15ohm,1%,1/10W,TP,1608	1	S.A	
...4	R3006	2007-000458	R-CHIP;18Kohm,5%,1/10W,TP,1608	1	S.A	
...4	R3058	2007-000458	R-CHIP;18Kohm,5%,1/10W,TP,1608	1	S.A	
...4	R1037	2007-000516	R-CHIP;2.7Kohm,1%,1/10W,TP,1608	1	S.A	
...4	R1108	2007-000516	R-CHIP;2.7Kohm,1%,1/10W,TP,1608	1	S.A	
...4	R1251	2007-000566	R-CHIP;220Kohm,5%,1/16W,TP,1005	1	S.N.A	
...4	R1254	2007-000566	R-CHIP;220Kohm,5%,1/16W,TP,1005	1	S.N.A	
...4	R1114	2007-000583	R-CHIP;22Kohm,1%,1/10W,TP,1608	1	S.A	
...4	R1031	2007-000591	R-CHIP;22ohm,1%,1/10W,TP,1608	1	S.A	
...4	R1029	2007-000606	R-CHIP;240ohm,1%,1/10W,TP,1608	1	S.A	
...4	R5041	2007-000606	R-CHIP;240ohm,1%,1/10W,TP,1608	1	S.A	
...4	R5042	2007-000606	R-CHIP;240ohm,1%,1/10W,TP,1608	1	S.A	
...4	R1038	2007-000683	R-CHIP;3.3Kohm,1%,1/10W,TP,1608	1	S.A	
...4	R3151_CEC	2007-000691	R-CHIP;3.3Mohm,5%,1/10W,TP,1608	1	S.A	
...4	R3022	2007-000736	R-CHIP;30Kohm,1%,1/10W,TP,1608	1	S.A	
...4	R3023	2007-000736	R-CHIP;30Kohm,1%,1/10W,TP,1608	1	S.A	
...4	R2017	2007-000775	R-CHIP;33Kohm,5%,1/16W,TP,1005	1	S.N.A	
...4	R2018	2007-000775	R-CHIP;33Kohm,5%,1/16W,TP,1005	1	S.N.A	
...4	R2019	2007-000775	R-CHIP;33Kohm,5%,1/16W,TP,1005	1	S.N.A	
...4	R2020	2007-000775	R-CHIP;33Kohm,5%,1/16W,TP,1005	1	S.N.A	
...4	R2021	2007-000775	R-CHIP;33Kohm,5%,1/16W,TP,1005	1	S.N.A	
...4	R2022	2007-000775	R-CHIP;33Kohm,5%,1/16W,TP,1005	1	S.N.A	
...4	R2023	2007-000775	R-CHIP;33Kohm,5%,1/16W,TP,1005	1	S.N.A	
...4	R2024	2007-000775	R-CHIP;33Kohm,5%,1/16W,TP,1005	1	S.N.A	
...4	R2025	2007-000775	R-CHIP;33Kohm,5%,1/16W,TP,1005	1	S.N.A	
...4	R2026	2007-000775	R-CHIP;33Kohm,5%,1/16W,TP,1005	1	S.N.A	
...4	R2027	2007-000775	R-CHIP;33Kohm,5%,1/16W,TP,1005	1	S.N.A	
...4	R2028	2007-000775	R-CHIP;33Kohm,5%,1/16W,TP,1005	1	S.N.A	
...4	R3021	2007-000775	R-CHIP;33Kohm,5%,1/16W,TP,1005	1	S.N.A	
...4	R3024	2007-000775	R-CHIP;33Kohm,5%,1/16W,TP,1005	1	S.N.A	
...4	R3050	2007-000775	R-CHIP;33Kohm,5%,1/16W,TP,1005	1	S.N.A	
...4	R3051	2007-000775	R-CHIP;33Kohm,5%,1/16W,TP,1005	1	S.N.A	
...4	R3052	2007-000775	R-CHIP;33Kohm,5%,1/16W,TP,1005	1	S.N.A	
...4	R3053	2007-000775	R-CHIP;33Kohm,5%,1/16W,TP,1005	1	S.N.A	
...4	R1120	2007-000828	R-CHIP;39Kohm,1%,1/10W,TP,1608	1	S.A	
...4	R6034	2007-000842	R-CHIP;3Kohm,1%,1/10W,TP,1608	1	S.A	
...4	R1305	2007-000932	R-CHIP;470ohm,5%,1/16W,TP,1005	1	S.N.A	
...4	R2001	2007-000932	R-CHIP;470ohm,5%,1/16W,TP,1005	1	S.N.A	
...4	R2016	2007-000932	R-CHIP;470ohm,5%,1/16W,TP,1005	1	S.N.A	
...4	R2036	2007-000932	R-CHIP;470ohm,5%,1/16W,TP,1005	1	S.N.A	
...4	R2037	2007-000932	R-CHIP;470ohm,5%,1/16W,TP,1005	1	S.N.A	
...4	R3005	2007-000932	R-CHIP;470ohm,5%,1/16W,TP,1005	1	S.N.A	
...4	R3017	2007-000932	R-CHIP;470ohm,5%,1/16W,TP,1005	1	S.N.A	

## 5. Exploded View &amp; Part List

Level	Location No.	Code No.	Description & Specification	Q'ty	SA/SNA	Remark
...4	R3018	2007-000932	R-CHIP;470ohm,5%,1/16W,TP,1005	1	S.N.A	
...4	R3019	2007-000932	R-CHIP;470ohm,5%,1/16W,TP,1005	1	S.N.A	
...4	R3020	2007-000932	R-CHIP;470ohm,5%,1/16W,TP,1005	1	S.N.A	
...4	R6029	2007-000932	R-CHIP;470ohm,5%,1/16W,TP,1005	1	S.N.A	
...4	R9054	2007-000932	R-CHIP;470ohm,5%,1/16W,TP,1005	1	S.N.A	
...4	R9055	2007-000932	R-CHIP;470ohm,5%,1/16W,TP,1005	1	S.N.A	
...4	R1601	2007-000982	R-CHIP;5.6Kohm,5%,1/16W,TP,1005	1	S.A	
...4	R2053	2007-000987	R-CHIP;5.6ohm,5%,1/10W,TP,1608	1	S.A	
...4	R2054	2007-000987	R-CHIP;5.6ohm,5%,1/10W,TP,1608	1	S.A	
...4	R2055	2007-000987	R-CHIP;5.6ohm,5%,1/10W,TP,1608	1	S.A	
...4	R2056	2007-000987	R-CHIP;5.6ohm,5%,1/10W,TP,1608	1	S.A	
...4	R1028	2007-000999	R-CHIP;510ohm,1%,1/10W,TP,1608	1	S.A	
...4	R1302_NACH	2007-000999	R-CHIP;510ohm,1%,1/10W,TP,1608	1	S.A	
...4	R3170	2007-000999	R-CHIP;510ohm,1%,1/10W,TP,1608	1	S.A	
...4	R3171	2007-000999	R-CHIP;510ohm,1%,1/10W,TP,1608	1	S.A	
...4	R7409	2007-001044	R-CHIP;56ohm,5%,1/10W,TP,1608	1	S.A	
...4	R9069	2007-001044	R-CHIP;56ohm,5%,1/10W,TP,1608	1	S.A	
...4	R9074	2007-001044	R-CHIP;56ohm,5%,1/10W,TP,1608	1	S.A	
...4	R1110	2007-001068	R-CHIP;6.8Kohm,1%,1/10W,TP,1608	1	S.A	
...4	R3008	2007-001068	R-CHIP;6.8Kohm,1%,1/10W,TP,1608	1	S.A	
...4	R3063	2007-001068	R-CHIP;6.8Kohm,1%,1/10W,TP,1608	1	S.A	
...4	R3015	2007-001119	R-CHIP;680ohm,5%,1/16W,TP,1005	1	S.N.A	
...4	R1113	2007-001175	R-CHIP;8.2Kohm,1%,1/10W,TP,1608	1	S.A	
...4	R2006	2007-001292	R-CHIP;33ohm,5%,1/16W,TP,1005	1	S.N.A	
...4	R2007	2007-001292	R-CHIP;33ohm,5%,1/16W,TP,1005	1	S.N.A	
...4	R2008	2007-001292	R-CHIP;33ohm,5%,1/16W,TP,1005	1	S.N.A	
...4	R2009	2007-001292	R-CHIP;33ohm,5%,1/16W,TP,1005	1	S.N.A	
...4	R2010	2007-001292	R-CHIP;33ohm,5%,1/16W,TP,1005	1	S.N.A	
...4	R2011_NPX	2007-001292	R-CHIP;33ohm,5%,1/16W,TP,1005	1	S.N.A	
...4	R2012	2007-001292	R-CHIP;33ohm,5%,1/16W,TP,1005	1	S.N.A	
...4	R2040	2007-001292	R-CHIP;33ohm,5%,1/16W,TP,1005	1	S.N.A	
...4	R2045	2007-001292	R-CHIP;33ohm,5%,1/16W,TP,1005	1	S.N.A	
...4	R4010	2007-001292	R-CHIP;33ohm,5%,1/16W,TP,1005	1	S.N.A	
...4	R4065	2007-001292	R-CHIP;33ohm,5%,1/16W,TP,1005	1	S.N.A	
...4	R4070	2007-001292	R-CHIP;33ohm,5%,1/16W,TP,1005	1	S.N.A	
...4	R4094	2007-001292	R-CHIP;33ohm,5%,1/16W,TP,1005	1	S.N.A	
...4	R4096	2007-001292	R-CHIP;33ohm,5%,1/16W,TP,1005	1	S.N.A	
...4	R4097	2007-001292	R-CHIP;33ohm,5%,1/16W,TP,1005	1	S.N.A	
...4	R4102	2007-001292	R-CHIP;33ohm,5%,1/16W,TP,1005	1	S.N.A	
...4	R4138	2007-001292	R-CHIP;33ohm,5%,1/16W,TP,1005	1	S.N.A	
...4	R4139	2007-001292	R-CHIP;33ohm,5%,1/16W,TP,1005	1	S.N.A	
...4	R4141	2007-001292	R-CHIP;33ohm,5%,1/16W,TP,1005	1	S.N.A	
...4	R5015	2007-001292	R-CHIP;33ohm,5%,1/16W,TP,1005	1	S.N.A	
...4	R5016	2007-001292	R-CHIP;33ohm,5%,1/16W,TP,1005	1	S.N.A	
...4	R5040	2007-001292	R-CHIP;33ohm,5%,1/16W,TP,1005	1	S.N.A	
...4	R5044	2007-001292	R-CHIP;33ohm,5%,1/16W,TP,1005	1	S.N.A	
...4	R5045	2007-001292	R-CHIP;33ohm,5%,1/16W,TP,1005	1	S.N.A	
...4	R5046	2007-001292	R-CHIP;33ohm,5%,1/16W,TP,1005	1	S.N.A	
...4	R5047	2007-001292	R-CHIP;33ohm,5%,1/16W,TP,1005	1	S.N.A	
...4	R5048	2007-001292	R-CHIP;33ohm,5%,1/16W,TP,1005	1	S.N.A	
...4	R5049	2007-001292	R-CHIP;33ohm,5%,1/16W,TP,1005	1	S.N.A	

5. Exploded View & Part List

Level	Location No.	Code No.	Description & Specification	Q'ty	SA/SNA	Remark
...4	R5050	2007-001292	R-CHIP;33ohm,5%,1/16W,TP,1005	1	S.N.A	
...4	R5051	2007-001292	R-CHIP;33ohm,5%,1/16W,TP,1005	1	S.N.A	
...4	R5052	2007-001292	R-CHIP;33ohm,5%,1/16W,TP,1005	1	S.N.A	
...4	R5053	2007-001292	R-CHIP;33ohm,5%,1/16W,TP,1005	1	S.N.A	
...4	R7280	2007-001292	R-CHIP;33ohm,5%,1/16W,TP,1005	1	S.N.A	
...4	R7030	2007-001305	R-CHIP;120ohm,5%,1/16W,TP,1005	1	S.N.A	
...4	R7045	2007-001305	R-CHIP;120ohm,5%,1/16W,TP,1005	1	S.N.A	
...4	R7067	2007-001305	R-CHIP;120ohm,5%,1/16W,TP,1005	1	S.N.A	
...4	R7071	2007-001305	R-CHIP;120ohm,5%,1/16W,TP,1005	1	S.N.A	
...4	R7368	2007-001308	R-CHIP;200ohm,5%,1/16W,TP,1005	1	S.N.A	
...4	R7369	2007-001308	R-CHIP;200ohm,5%,1/16W,TP,1005	1	S.N.A	
...4	R1015	2007-001313	R-CHIP;330ohm,5%,1/16W,TP,1005	1	S.N.A	
...4	R4081	2007-001313	R-CHIP;330ohm,5%,1/16W,TP,1005	1	S.N.A	
...4	R4085	2007-001313	R-CHIP;330ohm,5%,1/16W,TP,1005	1	S.N.A	
...4	R5102	2007-001313	R-CHIP;330ohm,5%,1/16W,TP,1005	1	S.N.A	
...4	R7242	2007-001313	R-CHIP;330ohm,5%,1/16W,TP,1005	1	S.N.A	
...4	R9030	2007-001313	R-CHIP;330ohm,5%,1/16W,TP,1005	1	S.N.A	
...4	R9072	2007-001313	R-CHIP;330ohm,5%,1/16W,TP,1005	1	S.N.A	
...4	R2031	2007-001325	R-CHIP;3.3Kohm,5%,1/16W,TP,1005	1	S.N.A	
...4	R2048	2007-001325	R-CHIP;3.3Kohm,5%,1/16W,TP,1005	1	S.N.A	
...4	R2059	2007-001325	R-CHIP;3.3Kohm,5%,1/16W,TP,1005	1	S.N.A	
...4	R6032	2007-001325	R-CHIP;3.3Kohm,5%,1/16W,TP,1005	1	S.N.A	
...4	R7333	2007-001325	R-CHIP;3.3Kohm,5%,1/16W,TP,1005	1	S.N.A	
...4	R7335	2007-001325	R-CHIP;3.3Kohm,5%,1/16W,TP,1005	1	S.N.A	
...4	R7358	2007-001325	R-CHIP;3.3Kohm,5%,1/16W,TP,1005	1	S.N.A	
...4	R7408	2007-001325	R-CHIP;3.3Kohm,5%,1/16W,TP,1005	1	S.N.A	
...4	R1131	2007-002425	R-CHIP;1ohm,5%,1/10W,TP,1608	1	S.A	
...4	R1134_NACH	2007-002425	R-CHIP;1ohm,5%,1/10W,TP,1608	1	S.A	
...4	R1135_FAN	2007-002425	R-CHIP;1ohm,5%,1/10W,TP,1608	1	S.A	
...4	R1136	2007-002425	R-CHIP;1ohm,5%,1/10W,TP,1608	1	S.A	
...4	R1137	2007-002425	R-CHIP;1ohm,5%,1/10W,TP,1608	1	S.A	
...4	R1138	2007-002425	R-CHIP;1ohm,5%,1/10W,TP,1608	1	S.A	
...4	R5104	2007-002425	R-CHIP;1ohm,5%,1/10W,TP,1608	1	S.A	
...4	R5105	2007-002425	R-CHIP;1ohm,5%,1/10W,TP,1608	1	S.A	
...4	R1021	2007-007107	R-CHIP;100Kohm,1%,1/16W,TP,1005	1	S.N.A	
...4	R1256	2007-007107	R-CHIP;100Kohm,1%,1/16W,TP,1005	1	S.N.A	
...4	R5031	2007-007107	R-CHIP;100Kohm,1%,1/16W,TP,1005	1	S.N.A	
...4	R9033	2007-007107	R-CHIP;100Kohm,1%,1/16W,TP,1005	1	S.N.A	
...4	R9571	2007-007107	R-CHIP;100Kohm,1%,1/16W,TP,1005	1	S.N.A	
...4	R9572	2007-007107	R-CHIP;100Kohm,1%,1/16W,TP,1005	1	S.N.A	
...4	R9573	2007-007107	R-CHIP;100Kohm,1%,1/16W,TP,1005	1	S.N.A	
...4	R9574	2007-007107	R-CHIP;100Kohm,1%,1/16W,TP,1005	1	S.N.A	
...4	R9575	2007-007107	R-CHIP;100Kohm,1%,1/16W,TP,1005	1	S.N.A	
...4	R1602	2007-007136	R-CHIP;4.7Kohm,1%,1/16W,TP,1005	1	S.N.A	
...4	R1603	2007-007136	R-CHIP;4.7Kohm,1%,1/16W,TP,1005	1	S.N.A	
...4	R1604	2007-007136	R-CHIP;4.7Kohm,1%,1/16W,TP,1005	1	S.N.A	
...4	R1605	2007-007136	R-CHIP;4.7Kohm,1%,1/16W,TP,1005	1	S.N.A	
...4	R2068	2007-007136	R-CHIP;4.7Kohm,1%,1/16W,TP,1005	1	S.N.A	
...4	R7139	2007-007136	R-CHIP;4.7Kohm,1%,1/16W,TP,1005	1	S.N.A	
...4	R4146	2007-007226	R-CHIP;49.9ohm,1%,1/10W,TP,1608	1	S.A	
...4	R7123	2007-007226	R-CHIP;49.9ohm,1%,1/10W,TP,1608	1	S.A	



## 5. Exploded View &amp; Part List

Level	Location No.	Code No.	Description & Specification	Q'ty	SA/SNA	Remark
...4	R9027	2007-007309	R-CHIP;12Kohm,1%,1/16W,TP,1005	1	S.A	
...4	R1051	2007-007312	R-CHIP;20Kohm,1%,1/16W,TP,1005	1	S.A	
...4	R9032	2007-007316	R-CHIP;3.3Kohm,1%,1/16W,TP,1005	1	S.N.A	
...4	R1046	2007-007318	R-CHIP;1Kohm,1%,1/16W,TP,1005	1	S.N.A	
...4	R2046	2007-007318	R-CHIP;1Kohm,1%,1/16W,TP,1005	1	S.N.A	
...4	R4119	2007-007318	R-CHIP;1Kohm,1%,1/16W,TP,1005	1	S.N.A	
...4	R4120	2007-007318	R-CHIP;1Kohm,1%,1/16W,TP,1005	1	S.N.A	
...4	R1030	2007-007469	R-CHIP;110ohm,1%,1/16W,TP,1005	1	S.N.A	
...4	R5103	2007-007469	R-CHIP;110ohm,1%,1/16W,TP,1005	1	S.N.A	
...4	R1033	2007-007470	R-CHIP;7.5Kohm,1%,1/16W,TP,1005	1	S.N.A	
...4	R7413	2007-007470	R-CHIP;7.5Kohm,1%,1/16W,TP,1005	1	S.N.A	
...4	R7414	2007-007470	R-CHIP;7.5Kohm,1%,1/16W,TP,1005	1	S.N.A	
...4	R9031	2007-007528	R-CHIP;1.5Kohm,1%,1/16W,TP,1005	1	S.A	
...4	R3615	2007-007587	R-CHIP;3.6Kohm,1%,1/16W,TP,1005	1	S.N.A	
...4	R1048	2007-007698	R-CHIP;5.1Kohm,1%,1/16W,TP,1005	1	S.N.A	
...4	R4087	2007-007698	R-CHIP;5.1Kohm,1%,1/16W,TP,1005	1	S.N.A	
...4	R1115	2007-007723	R-CHIP;75Kohm,1%,1/10W,TP,1608	1	S.A	
...4	R9029	2007-007791	R-CHIP;9.1Kohm,1%,1/16W,TP,1005	1	S.N.A	
...4	R3001	2007-008015	R-CHIP;75ohm,1%,1/16W,TP,1005	1	S.N.A	
...4	R3003	2007-008015	R-CHIP;75ohm,1%,1/16W,TP,1005	1	S.N.A	
...4	R3007	2007-008015	R-CHIP;75ohm,1%,1/16W,TP,1005	1	S.N.A	
...4	R3031	2007-008015	R-CHIP;75ohm,1%,1/16W,TP,1005	1	S.N.A	
...4	R3032	2007-008015	R-CHIP;75ohm,1%,1/16W,TP,1005	1	S.N.A	
...4	R3033	2007-008015	R-CHIP;75ohm,1%,1/16W,TP,1005	1	S.N.A	
...4	R3046	2007-008015	R-CHIP;75ohm,1%,1/16W,TP,1005	1	S.N.A	
...4	R3057	2007-008015	R-CHIP;75ohm,1%,1/16W,TP,1005	1	S.N.A	
...4	R3066	2007-008015	R-CHIP;75ohm,1%,1/16W,TP,1005	1	S.N.A	
...4	R3067	2007-008015	R-CHIP;75ohm,1%,1/16W,TP,1005	1	S.N.A	
...4	R3068	2007-008015	R-CHIP;75ohm,1%,1/16W,TP,1005	1	S.N.A	
...4	R3105_NSID	2007-008015	R-CHIP;75ohm,1%,1/16W,TP,1005	1	S.N.A	
...4	R3110	2007-008015	R-CHIP;75ohm,1%,1/16W,TP,1005	1	S.N.A	
...4	R3113	2007-008015	R-CHIP;75ohm,1%,1/16W,TP,1005	1	S.N.A	
...4	R3164	2007-008015	R-CHIP;75ohm,1%,1/16W,TP,1005	1	S.N.A	
...4	R3165	2007-008015	R-CHIP;75ohm,1%,1/16W,TP,1005	1	S.N.A	
...4	R3166	2007-008015	R-CHIP;75ohm,1%,1/16W,TP,1005	1	S.N.A	
...4	R5029	2007-008015	R-CHIP;75ohm,1%,1/16W,TP,1005	1	S.N.A	
...4	R9048	2007-008015	R-CHIP;75ohm,1%,1/16W,TP,1005	1	S.N.A	
...4	R9049	2007-008015	R-CHIP;75ohm,1%,1/16W,TP,1005	1	S.N.A	
...4	R9052	2007-008015	R-CHIP;75ohm,1%,1/16W,TP,1005	1	S.N.A	
...4	R9053	2007-008015	R-CHIP;75ohm,1%,1/16W,TP,1005	1	S.N.A	
...4	R9039	2007-008298	R-CHIP;49.9ohm,1%,1/16W,TP,1005	1	S.A	
...4	R9040	2007-008298	R-CHIP;49.9ohm,1%,1/16W,TP,1005	1	S.A	
...4	R9041	2007-008298	R-CHIP;49.9ohm,1%,1/16W,TP,1005	1	S.A	
...4	R9042	2007-008298	R-CHIP;49.9ohm,1%,1/16W,TP,1005	1	S.A	
...4	R3625	2007-008429	R-CHIP;499ohm,1%,1/16W,TP,1005	1	S.N.A	
...4	R2051	2007-008649	R-CHIP;220ohm,1%,1/16W,TP,1005	1	S.N.A	
...4	R3016	2007-008649	R-CHIP;220ohm,1%,1/16W,TP,1005	1	S.N.A	
...4	RA7002	2011-000002	R-NETWORK;22ohm,5%,1/16W,L,CHIP,8P,TP,32	1	S.A	
...4	RA7003	2011-000002	R-NETWORK;22ohm,5%,1/16W,L,CHIP,8P,TP,32	1	S.A	
...4	RA7004	2011-000002	R-NETWORK;22ohm,5%,1/16W,L,CHIP,8P,TP,32	1	S.A	
...4	RA7005	2011-000002	R-NETWORK;22ohm,5%,1/16W,L,CHIP,8P,TP,32	1	S.A	

5. Exploded View & Part List

Level	Location No.	Code No.	Description & Specification	Q'ty	SA/SNA	Remark
...4	RA7006	2011-000002	R-NETWORK;22ohm,5%,1/16W,L,CHIP,8P,TP,32	1	S.A	
...4	RA7007	2011-000002	R-NETWORK;22ohm,5%,1/16W,L,CHIP,8P,TP,32	1	S.A	
...4	RA7008	2011-000002	R-NETWORK;22ohm,5%,1/16W,L,CHIP,8P,TP,32	1	S.A	
...4	RA7009	2011-000002	R-NETWORK;22ohm,5%,1/16W,L,CHIP,8P,TP,32	1	S.A	
...4	RA7072	2011-000002	R-NETWORK;22ohm,5%,1/16W,L,CHIP,8P,TP,32	1	S.A	
...4	RA7073	2011-000002	R-NETWORK;22ohm,5%,1/16W,L,CHIP,8P,TP,32	1	S.A	
...4	RA7074	2011-000002	R-NETWORK;22ohm,5%,1/16W,L,CHIP,8P,TP,32	1	S.A	
...4	RA7075	2011-000002	R-NETWORK;22ohm,5%,1/16W,L,CHIP,8P,TP,32	1	S.A	
...4	RA7076	2011-000002	R-NETWORK;22ohm,5%,1/16W,L,CHIP,8P,TP,32	1	S.A	
...4	RA7077	2011-000002	R-NETWORK;22ohm,5%,1/16W,L,CHIP,8P,TP,32	1	S.A	
...4	RA7078	2011-000002	R-NETWORK;22ohm,5%,1/16W,L,CHIP,8P,TP,32	1	S.A	
...4	RA7079	2011-000002	R-NETWORK;22ohm,5%,1/16W,L,CHIP,8P,TP,32	1	S.A	
...4	RA7080	2011-000002	R-NETWORK;22ohm,5%,1/16W,L,CHIP,8P,TP,32	1	S.A	
...4	RA7081	2011-000002	R-NETWORK;22ohm,5%,1/16W,L,CHIP,8P,TP,32	1	S.A	
...4	RA7082	2011-000002	R-NETWORK;22ohm,5%,1/16W,L,CHIP,8P,TP,32	1	S.A	
...4	RA7083	2011-000002	R-NETWORK;22ohm,5%,1/16W,L,CHIP,8P,TP,32	1	S.A	
...4	RA7098	2011-000002	R-NETWORK;22ohm,5%,1/16W,L,CHIP,8P,TP,32	1	S.A	
...4	RA7099	2011-000002	R-NETWORK;22ohm,5%,1/16W,L,CHIP,8P,TP,32	1	S.A	
...4	RA7100	2011-000002	R-NETWORK;22ohm,5%,1/16W,L,CHIP,8P,TP,32	1	S.A	
...4	RA7101	2011-000002	R-NETWORK;22ohm,5%,1/16W,L,CHIP,8P,TP,32	1	S.A	
...4	RA4074	2011-000585	R-NETWORK;47ohm,5%,1/16W,L,CHIP,8P,TP,3.	1	S.A	
...4	RA4075	2011-000585	R-NETWORK;47ohm,5%,1/16W,L,CHIP,8P,TP,3.	1	S.A	
...4	RA4076	2011-000585	R-NETWORK;47ohm,5%,1/16W,L,CHIP,8P,TP,3.	1	S.A	
...4	RA4077	2011-000585	R-NETWORK;47ohm,5%,1/16W,L,CHIP,8P,TP,3.	1	S.A	
...4	RA4078	2011-000585	R-NETWORK;47ohm,5%,1/16W,L,CHIP,8P,TP,3.	1	S.A	
...4	RA4079	2011-000585	R-NETWORK;47ohm,5%,1/16W,L,CHIP,8P,TP,3.	1	S.A	
...4	RA7257	2011-000585	R-NETWORK;47ohm,5%,1/16W,L,CHIP,8P,TP,3.	1	S.A	
...4	RA7258	2011-000585	R-NETWORK;47ohm,5%,1/16W,L,CHIP,8P,TP,3.	1	S.A	
...4	RA7259	2011-000585	R-NETWORK;47ohm,5%,1/16W,L,CHIP,8P,TP,3.	1	S.A	
...4	RA7260	2011-000585	R-NETWORK;47ohm,5%,1/16W,L,CHIP,8P,TP,3.	1	S.A	
...4	RA7261	2011-000585	R-NETWORK;47ohm,5%,1/16W,L,CHIP,8P,TP,3.	1	S.A	
...4	RA7262	2011-000585	R-NETWORK;47ohm,5%,1/16W,L,CHIP,8P,TP,3.	1	S.A	
...4	RA7263	2011-000585	R-NETWORK;47ohm,5%,1/16W,L,CHIP,8P,TP,3.	1	S.A	
...4	RA7264	2011-000585	R-NETWORK;47ohm,5%,1/16W,L,CHIP,8P,TP,3.	1	S.A	
...4	RA7265	2011-000585	R-NETWORK;47ohm,5%,1/16W,L,CHIP,8P,TP,3.	1	S.A	
...4	RA3001	2011-000651	R-NETWORK;10ohm,5%,1/16W,L,CHIP,8P,TP,32	1	S.A	
...4	RA3002	2011-000651	R-NETWORK;10ohm,5%,1/16W,L,CHIP,8P,TP,32	1	S.A	
...4	RA7010	2011-000881	R-NETWORK;33ohm,5%,1/16W,L,CHIP,8P,TP,3.	1	S.A	
...4	RA7011	2011-000881	R-NETWORK;33ohm,5%,1/16W,L,CHIP,8P,TP,3.	1	S.A	
...4	RA7012	2011-000881	R-NETWORK;33ohm,5%,1/16W,L,CHIP,8P,TP,3.	1	S.A	
...4	RA7119	2011-000881	R-NETWORK;33ohm,5%,1/16W,L,CHIP,8P,TP,3.	1	S.A	
...4	RA7120	2011-000881	R-NETWORK;33ohm,5%,1/16W,L,CHIP,8P,TP,3.	1	S.A	
...4	RA7121	2011-000881	R-NETWORK;33ohm,5%,1/16W,L,CHIP,8P,TP,3.	1	S.A	
...4	RA3003	2011-001001	R-NETWORK;0ohm,5%,1/16W,L,CHIP,8P,TP,3,2	1	S.A	
...4	RA3004	2011-001001	R-NETWORK;0ohm,5%,1/16W,L,CHIP,8P,TP,3,2	1	S.A	
...4	RA3004_NSI	2011-001001	R-NETWORK;0ohm,5%,1/16W,L,CHIP,8P,TP,3,2	1	S.A	
...4	RA3005	2011-001001	R-NETWORK;0ohm,5%,1/16W,L,CHIP,8P,TP,3,2	1	S.A	
...4	RA3005_NSI	2011-001001	R-NETWORK;0ohm,5%,1/16W,L,CHIP,8P,TP,3,2	1	S.A	
...4	RA3006	2011-001001	R-NETWORK;0ohm,5%,1/16W,L,CHIP,8P,TP,3,2	1	S.A	
...4	RA3007	2011-001001	R-NETWORK;0ohm,5%,1/16W,L,CHIP,8P,TP,3,2	1	S.A	
...4	RA3008	2011-001001	R-NETWORK;0ohm,5%,1/16W,L,CHIP,8P,TP,3,2	1	S.A	



## 5. Exploded View &amp; Part List

Level	Location No.	Code No.	Description & Specification	Q'ty	SA/SNA	Remark
...4	RA3009	2011-001001	R-NETWORK;0ohm,5%,1/16W,L,CHIP,8P,TP,3.2	1	S.A	
...4	RA3010_NSI	2011-001001	R-NETWORK;0ohm,5%,1/16W,L,CHIP,8P,TP,3.2	1	S.A	
...4	RA4001	2011-001001	R-NETWORK;0ohm,5%,1/16W,L,CHIP,8P,TP,3.2	1	S.A	
...4	RA4002	2011-001001	R-NETWORK;0ohm,5%,1/16W,L,CHIP,8P,TP,3.2	1	S.A	
...4	RA4003	2011-001001	R-NETWORK;0ohm,5%,1/16W,L,CHIP,8P,TP,3.2	1	S.A	
...4	RA4004	2011-001001	R-NETWORK;0ohm,5%,1/16W,L,CHIP,8P,TP,3.2	1	S.A	
...4	RA4005	2011-001001	R-NETWORK;0ohm,5%,1/16W,L,CHIP,8P,TP,3.2	1	S.A	
...4	RA6001	2011-001001	R-NETWORK;0ohm,5%,1/16W,L,CHIP,8P,TP,3.2	1	S.A	
...4	RA6058	2011-001001	R-NETWORK;0ohm,5%,1/16W,L,CHIP,8P,TP,3.2	1	S.A	
...4	RA6059	2011-001001	R-NETWORK;0ohm,5%,1/16W,L,CHIP,8P,TP,3.2	1	S.A	
...4	RA6060	2011-001001	R-NETWORK;0ohm,5%,1/16W,L,CHIP,8P,TP,3.2	1	S.A	
...4	RA6061	2011-001001	R-NETWORK;0ohm,5%,1/16W,L,CHIP,8P,TP,3.2	1	S.A	
...4	RA6062	2011-001001	R-NETWORK;0ohm,5%,1/16W,L,CHIP,8P,TP,3.2	1	S.A	
...4	RA6063	2011-001001	R-NETWORK;0ohm,5%,1/16W,L,CHIP,8P,TP,3.2	1	S.A	
...4	RA4143	2011-001093	R-NETWORK;100ohm,5%,1/16W,L,CHIP,8P,TP,3	1	S.A	
...4	RA4144	2011-001093	R-NETWORK;100ohm,5%,1/16W,L,CHIP,8P,TP,3	1	S.A	
...4	RA4145	2011-001093	R-NETWORK;100ohm,5%,1/16W,L,CHIP,8P,TP,3	1	S.A	
...4	RA4146	2011-001093	R-NETWORK;100ohm,5%,1/16W,L,CHIP,8P,TP,3	1	S.A	
...4	RA4147	2011-001093	R-NETWORK;100ohm,5%,1/16W,L,CHIP,8P,TP,3	1	S.A	
...4	RA4148	2011-001093	R-NETWORK;100ohm,5%,1/16W,L,CHIP,8P,TP,3	1	S.A	
...4	RA4153	2011-001093	R-NETWORK;100ohm,5%,1/16W,L,CHIP,8P,TP,3	1	S.A	
...4	RA7001	2011-001093	R-NETWORK;100ohm,5%,1/16W,L,CHIP,8P,TP,3	1	S.A	
...4	RA7013	2011-001093	R-NETWORK;100ohm,5%,1/16W,L,CHIP,8P,TP,3	1	S.A	
...4	RA7014	2011-001093	R-NETWORK;100ohm,5%,1/16W,L,CHIP,8P,TP,3	1	S.A	
...4	RA7015	2011-001093	R-NETWORK;100ohm,5%,1/16W,L,CHIP,8P,TP,3	1	S.A	
...4	RA7016	2011-001093	R-NETWORK;100ohm,5%,1/16W,L,CHIP,8P,TP,3	1	S.A	
...4	RA7017	2011-001093	R-NETWORK;100ohm,5%,1/16W,L,CHIP,8P,TP,3	1	S.A	
...4	RA7018	2011-001093	R-NETWORK;100ohm,5%,1/16W,L,CHIP,8P,TP,3	1	S.A	
...4	RA7019	2011-001093	R-NETWORK;100ohm,5%,1/16W,L,CHIP,8P,TP,3	1	S.A	
...4	RA7020	2011-001093	R-NETWORK;100ohm,5%,1/16W,L,CHIP,8P,TP,3	1	S.A	
...4	RA7032	2011-001093	R-NETWORK;100ohm,5%,1/16W,L,CHIP,8P,TP,3	1	S.A	
...4	RA7033	2011-001093	R-NETWORK;100ohm,5%,1/16W,L,CHIP,8P,TP,3	1	S.A	
...4	RA7034	2011-001093	R-NETWORK;100ohm,5%,1/16W,L,CHIP,8P,TP,3	1	S.A	
...4	RA7035	2011-001093	R-NETWORK;100ohm,5%,1/16W,L,CHIP,8P,TP,3	1	S.A	
...4	RA7036	2011-001093	R-NETWORK;100ohm,5%,1/16W,L,CHIP,8P,TP,3	1	S.A	
...4	RA7046	2011-001093	R-NETWORK;100ohm,5%,1/16W,L,CHIP,8P,TP,3	1	S.A	
...4	RA7047	2011-001093	R-NETWORK;100ohm,5%,1/16W,L,CHIP,8P,TP,3	1	S.A	
...4	RA7048	2011-001093	R-NETWORK;100ohm,5%,1/16W,L,CHIP,8P,TP,3	1	S.A	
...4	RA7049	2011-001093	R-NETWORK;100ohm,5%,1/16W,L,CHIP,8P,TP,3	1	S.A	
...4	RA7050	2011-001093	R-NETWORK;100ohm,5%,1/16W,L,CHIP,8P,TP,3	1	S.A	
...4	RA7051	2011-001093	R-NETWORK;100ohm,5%,1/16W,L,CHIP,8P,TP,3	1	S.A	
...4	RA7052	2011-001093	R-NETWORK;100ohm,5%,1/16W,L,CHIP,8P,TP,3	1	S.A	
...4	RA7053	2011-001093	R-NETWORK;100ohm,5%,1/16W,L,CHIP,8P,TP,3	1	S.A	
...4	RA7062	2011-001093	R-NETWORK;100ohm,5%,1/16W,L,CHIP,8P,TP,3	1	S.A	
...4	RA7063	2011-001093	R-NETWORK;100ohm,5%,1/16W,L,CHIP,8P,TP,3	1	S.A	
...4	RA7064	2011-001093	R-NETWORK;100ohm,5%,1/16W,L,CHIP,8P,TP,3	1	S.A	
...4	RA7065	2011-001093	R-NETWORK;100ohm,5%,1/16W,L,CHIP,8P,TP,3	1	S.A	
...4	C1088	2203-000125	C-CER,CHIP;1.2nF,10%,50V,X7R,TP,1608,-	1	S.A	
...4	C1098	2203-000125	C-CER,CHIP;1.2nF,10%,50V,X7R,TP,1608,-	1	S.A	
...4	C1082	2203-000189	C-CER,CHIP;100nF,+80-20%,25V,Y5V,1608	1	S.A	
...4	C1089	2203-000189	C-CER,CHIP;100nF,+80-20%,25V,Y5V,1608	1	S.A	

5. Exploded View & Part List

Level	Location No.	Code No.	Description & Specification	Q'ty	SA/SNA	Remark
...4	C1091	2203-000189	C-CER,CHIP;100nF,+80-20%,25V,Y5V,1608	1	S.A	
...4	C1097	2203-000189	C-CER,CHIP;100nF,+80-20%,25V,Y5V,1608	1	S.A	
...4	C4151	2203-000189	C-CER,CHIP;100nF,+80-20%,25V,Y5V,1608	1	S.A	
...4	C2052	2203-000233	C-CER,CHIP;0.1nF,5%,50V,C0G,1005	1	S.A	
...4	C3003	2203-000233	C-CER,CHIP;0.1nF,5%,50V,C0G,1005	1	S.A	
...4	C3005	2203-000233	C-CER,CHIP;0.1nF,5%,50V,C0G,1005	1	S.A	
...4	C3013	2203-000233	C-CER,CHIP;0.1nF,5%,50V,C0G,1005	1	S.A	
...4	C3019	2203-000233	C-CER,CHIP;0.1nF,5%,50V,C0G,1005	1	S.A	
...4	C3021	2203-000233	C-CER,CHIP;0.1nF,5%,50V,C0G,1005	1	S.A	
...4	C3028	2203-000233	C-CER,CHIP;0.1nF,5%,50V,C0G,1005	1	S.A	
...4	C3029	2203-000233	C-CER,CHIP;0.1nF,5%,50V,C0G,1005	1	S.A	
...4	C3030	2203-000233	C-CER,CHIP;0.1nF,5%,50V,C0G,1005	1	S.A	
...4	C3073	2203-000233	C-CER,CHIP;0.1nF,5%,50V,C0G,1005	1	S.A	
...4	C7232	2203-000233	C-CER,CHIP;0.1nF,5%,50V,C0G,1005	1	S.A	
...4	C7234	2203-000233	C-CER,CHIP;0.1nF,5%,50V,C0G,1005	1	S.A	
...4	C1035	2203-000257	C-CER,CHIP;10nF,10%,50V,X7R,TP,1608	1	S.A	
...4	C1036	2203-000257	C-CER,CHIP;10nF,10%,50V,X7R,TP,1608	1	S.A	
...4	C1081	2203-000257	C-CER,CHIP;10nF,10%,50V,X7R,TP,1608	1	S.A	
...4	C1083	2203-000257	C-CER,CHIP;10nF,10%,50V,X7R,TP,1608	1	S.A	
...4	C4112	2203-000332	C-CER,CHIP;0.012nF,5%,50V,C0G,1608	1	S.A	
...4	C4113	2203-000332	C-CER,CHIP;0.012nF,5%,50V,C0G,1608	1	S.A	
...4	C3010	2203-000386	C-CER,CHIP;0.015nF,5%,50V,C0G,1005	1	S.A	
...4	C3011	2203-000386	C-CER,CHIP;0.015nF,5%,50V,C0G,1005	1	S.A	
...4	C3012	2203-000386	C-CER,CHIP;0.015nF,5%,50V,C0G,1005	1	S.A	
...4	C3022	2203-000386	C-CER,CHIP;0.015nF,5%,50V,C0G,1005	1	S.A	
...4	C3023	2203-000386	C-CER,CHIP;0.015nF,5%,50V,C0G,1005	1	S.A	
...4	C3024	2203-000386	C-CER,CHIP;0.015nF,5%,50V,C0G,1005	1	S.A	
...4	C1084	2203-000405	C-CER,CHIP;0.18nF,5%,50V,C0G,1608	1	S.A	
...4	C1092	2203-000405	C-CER,CHIP;0.18nF,5%,50V,C0G,1608	1	S.A	
...4	C1154	2203-000405	C-CER,CHIP;0.18nF,5%,50V,C0G,1608	1	S.A	
...4	C1157	2203-000405	C-CER,CHIP;0.18nF,5%,50V,C0G,1608	1	S.A	
...4	C4055_T	2203-000425	C-CER,CHIP;0.018nF,5%,50V,C0G,1005	1	S.A	
...4	C1512	2203-000438	C-CER,CHIP;1nF,10%,50V,X7R,1005	1	S.A	
...4	C2053	2203-000438	C-CER,CHIP;1nF,10%,50V,X7R,1005	1	S.A	
...4	C2069	2203-000438	C-CER,CHIP;1nF,10%,50V,X7R,1005	1	S.A	
...4	C2070	2203-000438	C-CER,CHIP;1nF,10%,50V,X7R,1005	1	S.A	
...4	C2071	2203-000438	C-CER,CHIP;1nF,10%,50V,X7R,1005	1	S.A	
...4	C2072	2203-000438	C-CER,CHIP;1nF,10%,50V,X7R,1005	1	S.A	
...4	C2073	2203-000438	C-CER,CHIP;1nF,10%,50V,X7R,1005	1	S.A	
...4	C3043_NSID	2203-000438	C-CER,CHIP;1nF,10%,50V,X7R,1005	1	S.A	
...4	C3047_NSID	2203-000438	C-CER,CHIP;1nF,10%,50V,X7R,1005	1	S.A	
...4	C3305_FAN	2203-000438	C-CER,CHIP;1nF,10%,50V,X7R,1005	1	S.A	
...4	C3306_FAN	2203-000438	C-CER,CHIP;1nF,10%,50V,X7R,1005	1	S.A	
...4	C3309_FAN	2203-000438	C-CER,CHIP;1nF,10%,50V,X7R,1005	1	S.A	
...4	C4045	2203-000438	C-CER,CHIP;1nF,10%,50V,X7R,1005	1	S.A	
...4	C4046	2203-000438	C-CER,CHIP;1nF,10%,50V,X7R,1005	1	S.A	
...4	C4051	2203-000438	C-CER,CHIP;1nF,10%,50V,X7R,1005	1	S.A	
...4	C4052	2203-000438	C-CER,CHIP;1nF,10%,50V,X7R,1005	1	S.A	
...4	C4077	2203-000438	C-CER,CHIP;1nF,10%,50V,X7R,1005	1	S.A	
...4	C4078	2203-000438	C-CER,CHIP;1nF,10%,50V,X7R,1005	1	S.A	
...4	C4116	2203-000438	C-CER,CHIP;1nF,10%,50V,X7R,1005	1	S.A	

## 5. Exploded View &amp; Part List

Level	Location No.	Code No.	Description & Specification	Q'ty	SA/SNA	Remark
...4	C5030	2203-000438	C-CER,CHIP;1nF,10%,50V,X7R,1005	1	S.A	
...4	C6017	2203-000438	C-CER,CHIP;1nF,10%,50V,X7R,1005	1	S.A	
...4	C6018	2203-000438	C-CER,CHIP;1nF,10%,50V,X7R,1005	1	S.A	
...4	C1021	2203-000489	C-CER,CHIP;2.2nF,10%,50V,X7R,1005	1	S.A	
...4	C3002	2203-000489	C-CER,CHIP;2.2nF,10%,50V,X7R,1005	1	S.A	
...4	C3004	2203-000489	C-CER,CHIP;2.2nF,10%,50V,X7R,1005	1	S.A	
...4	C3018	2203-000489	C-CER,CHIP;2.2nF,10%,50V,X7R,1005	1	S.A	
...4	C3020	2203-000489	C-CER,CHIP;2.2nF,10%,50V,X7R,1005	1	S.A	
...4	C4103	2203-000550	C-CER,CHIP;0.02nF,5%,50V,C0G,1005	1	S.N.A	
...4	C4107	2203-000550	C-CER,CHIP;0.02nF,5%,50V,C0G,1005	1	S.N.A	
...4	C7246	2203-000550	C-CER,CHIP;0.02nF,5%,50V,C0G,1005	1	S.N.A	
...4	C7253	2203-000550	C-CER,CHIP;0.02nF,5%,50V,C0G,1005	1	S.N.A	
...4	C9010	2203-000550	C-CER,CHIP;0.02nF,5%,50V,C0G,1005	1	S.N.A	
...4	C9013	2203-000550	C-CER,CHIP;0.02nF,5%,50V,C0G,1005	1	S.N.A	
...4	C4100	2203-000627	C-CER,CHIP;0.022nF,5%,50V,C0G,1005	1	S.N.A	
...4	C1085	2203-000714	C-CER,CHIP;3.3nF,10%,50V,X7R,TP,1005,-	1	S.A	
...4	C3100_NSID	2203-000783	C-CER,CHIP;0.33nF,5%,50V,C0G,1608	1	S.A	
...4	C3008	2203-000812	C-CER,CHIP;.033nF,5%,50V,C0G,-,1005	1	S.A	
...4	C3009	2203-000812	C-CER,CHIP;.033nF,5%,50V,C0G,-,1005	1	S.A	
...4	C9008	2203-000815	C-CER,CHIP;0.033nF,5%,50V,C0G,1608	1	S.A	
...4	C9108	2203-000815	C-CER,CHIP;0.033nF,5%,50V,C0G,1608	1	S.A	
...4	C1162	2203-000925	C-CER,CHIP;470nF,+80-20%,50V,Y5V,2012	1	S.A	
...4	C1164	2203-000925	C-CER,CHIP;470nF,+80-20%,50V,Y5V,2012	1	S.A	
...4	C1201	2203-000925	C-CER,CHIP;470nF,+80-20%,50V,Y5V,2012	1	S.A	
...4	C1203	2203-000925	C-CER,CHIP;470nF,+80-20%,50V,Y5V,2012	1	S.A	
...4	C2074	2203-000925	C-CER,CHIP;470nF,+80-20%,50V,Y5V,2012	1	S.A	
...4	C2075	2203-000925	C-CER,CHIP;470nF,+80-20%,50V,Y5V,2012	1	S.A	
...4	C1101	2203-000975	C-CER,CHIP;47nF,10%,25V,X7R,TP,1608,-	1	S.A	
...4	C3001	2203-000995	C-CER,CHIP;0.047nF,5%,50V,C0G,1005	1	S.A	
...4	C3017	2203-000995	C-CER,CHIP;0.047nF,5%,50V,C0G,1005	1	S.A	
...4	C3049_NSID	2203-000995	C-CER,CHIP;0.047nF,5%,50V,C0G,1005	1	S.A	
...4	C4099	2203-000995	C-CER,CHIP;0.047nF,5%,50V,C0G,1005	1	S.A	
...4	C4101	2203-000995	C-CER,CHIP;0.047nF,5%,50V,C0G,1005	1	S.A	
...4	C5002	2203-000995	C-CER,CHIP;0.047nF,5%,50V,C0G,1005	1	S.A	
...4	C6041	2203-000995	C-CER,CHIP;0.047nF,5%,50V,C0G,1005	1	S.A	
...4	C6042	2203-000995	C-CER,CHIP;0.047nF,5%,50V,C0G,1005	1	S.A	
...4	C4059_T	2203-001153	C-CER,CHIP;0.068nF,5%,50V,NP0,1005	1	S.A	
...4	C4060_T	2203-001153	C-CER,CHIP;0.068nF,5%,50V,NP0,1005	1	S.A	
...4	C4061_T	2203-001153	C-CER,CHIP;0.068nF,5%,50V,NP0,1005	1	S.A	
...4	C4202	2203-001153	C-CER,CHIP;0.068nF,5%,50V,NP0,1005	1	S.A	
...4	C1003_NACH	2203-002285	C-CER,CHIP;10nF,10%,50V,X7R,1005	1	S.N.A	
...4	C1004	2203-002285	C-CER,CHIP;10nF,10%,50V,X7R,1005	1	S.N.A	
...4	C1009	2203-002285	C-CER,CHIP;10nF,10%,50V,X7R,1005	1	S.N.A	
...4	C1015	2203-002285	C-CER,CHIP;10nF,10%,50V,X7R,1005	1	S.N.A	
...4	C1018	2203-002285	C-CER,CHIP;10nF,10%,50V,X7R,1005	1	S.N.A	
...4	C1069	2203-002285	C-CER,CHIP;10nF,10%,50V,X7R,1005	1	S.N.A	
...4	C1070	2203-002285	C-CER,CHIP;10nF,10%,50V,X7R,1005	1	S.N.A	
...4	C1145	2203-002285	C-CER,CHIP;10nF,10%,50V,X7R,1005	1	S.N.A	
...4	C1147	2203-002285	C-CER,CHIP;10nF,10%,50V,X7R,1005	1	S.N.A	
...4	C1202	2203-002285	C-CER,CHIP;10nF,10%,50V,X7R,1005	1	S.N.A	
...4	C3037	2203-002285	C-CER,CHIP;10nF,10%,50V,X7R,1005	1	S.N.A	

5. Exploded View & Part List

Level	Location No.	Code No.	Description & Specification	Q'ty	SA/SNA	Remark
...4	C3038	2203-002285	C-CER,CHIP;10nF,10%,50V,X7R,1005	1	S.N.A	
...4	C3039	2203-002285	C-CER,CHIP;10nF,10%,50V,X7R,1005	1	S.N.A	
...4	C3041	2203-002285	C-CER,CHIP;10nF,10%,50V,X7R,1005	1	S.N.A	
...4	C3042	2203-002285	C-CER,CHIP;10nF,10%,50V,X7R,1005	1	S.N.A	
...4	C3094	2203-002285	C-CER,CHIP;10nF,10%,50V,X7R,1005	1	S.N.A	
...4	C3095	2203-002285	C-CER,CHIP;10nF,10%,50V,X7R,1005	1	S.N.A	
...4	C3096	2203-002285	C-CER,CHIP;10nF,10%,50V,X7R,1005	1	S.N.A	
...4	C3097	2203-002285	C-CER,CHIP;10nF,10%,50V,X7R,1005	1	S.N.A	
...4	C3098	2203-002285	C-CER,CHIP;10nF,10%,50V,X7R,1005	1	S.N.A	
...4	C4030	2203-002285	C-CER,CHIP;10nF,10%,50V,X7R,1005	1	S.N.A	
...4	C4031	2203-002285	C-CER,CHIP;10nF,10%,50V,X7R,1005	1	S.N.A	
...4	C4039	2203-002285	C-CER,CHIP;10nF,10%,50V,X7R,1005	1	S.N.A	
...4	C4040	2203-002285	C-CER,CHIP;10nF,10%,50V,X7R,1005	1	S.N.A	
...4	C4041	2203-002285	C-CER,CHIP;10nF,10%,50V,X7R,1005	1	S.N.A	
...4	C4042	2203-002285	C-CER,CHIP;10nF,10%,50V,X7R,1005	1	S.N.A	
...4	C4043	2203-002285	C-CER,CHIP;10nF,10%,50V,X7R,1005	1	S.N.A	
...4	C4044	2203-002285	C-CER,CHIP;10nF,10%,50V,X7R,1005	1	S.N.A	
...4	C4047	2203-002285	C-CER,CHIP;10nF,10%,50V,X7R,1005	1	S.N.A	
...4	C4048	2203-002285	C-CER,CHIP;10nF,10%,50V,X7R,1005	1	S.N.A	
...4	C4049	2203-002285	C-CER,CHIP;10nF,10%,50V,X7R,1005	1	S.N.A	
...4	C4050	2203-002285	C-CER,CHIP;10nF,10%,50V,X7R,1005	1	S.N.A	
...4	C4053	2203-002285	C-CER,CHIP;10nF,10%,50V,X7R,1005	1	S.N.A	
...4	C4054	2203-002285	C-CER,CHIP;10nF,10%,50V,X7R,1005	1	S.N.A	
...4	C4058	2203-002285	C-CER,CHIP;10nF,10%,50V,X7R,1005	1	S.N.A	
...4	C4062	2203-002285	C-CER,CHIP;10nF,10%,50V,X7R,1005	1	S.N.A	
...4	C4067	2203-002285	C-CER,CHIP;10nF,10%,50V,X7R,1005	1	S.N.A	
...4	C4069	2203-002285	C-CER,CHIP;10nF,10%,50V,X7R,1005	1	S.N.A	
...4	C4071	2203-002285	C-CER,CHIP;10nF,10%,50V,X7R,1005	1	S.N.A	
...4	C4073	2203-002285	C-CER,CHIP;10nF,10%,50V,X7R,1005	1	S.N.A	
...4	C4074	2203-002285	C-CER,CHIP;10nF,10%,50V,X7R,1005	1	S.N.A	
...4	C4075	2203-002285	C-CER,CHIP;10nF,10%,50V,X7R,1005	1	S.N.A	
...4	C4088	2203-002285	C-CER,CHIP;10nF,10%,50V,X7R,1005	1	S.N.A	
...4	C4090	2203-002285	C-CER,CHIP;10nF,10%,50V,X7R,1005	1	S.N.A	
...4	C4092	2203-002285	C-CER,CHIP;10nF,10%,50V,X7R,1005	1	S.N.A	
...4	C4093	2203-002285	C-CER,CHIP;10nF,10%,50V,X7R,1005	1	S.N.A	
...4	C4095	2203-002285	C-CER,CHIP;10nF,10%,50V,X7R,1005	1	S.N.A	
...4	C4096	2203-002285	C-CER,CHIP;10nF,10%,50V,X7R,1005	1	S.N.A	
...4	C4097	2203-002285	C-CER,CHIP;10nF,10%,50V,X7R,1005	1	S.N.A	
...4	C4098	2203-002285	C-CER,CHIP;10nF,10%,50V,X7R,1005	1	S.N.A	
...4	C4114	2203-002285	C-CER,CHIP;10nF,10%,50V,X7R,1005	1	S.N.A	
...4	C4133	2203-002285	C-CER,CHIP;10nF,10%,50V,X7R,1005	1	S.N.A	
...4	C4134	2203-002285	C-CER,CHIP;10nF,10%,50V,X7R,1005	1	S.N.A	
...4	C4135	2203-002285	C-CER,CHIP;10nF,10%,50V,X7R,1005	1	S.N.A	
...4	C4142	2203-002285	C-CER,CHIP;10nF,10%,50V,X7R,1005	1	S.N.A	
...4	C4143	2203-002285	C-CER,CHIP;10nF,10%,50V,X7R,1005	1	S.N.A	
...4	C4144	2203-002285	C-CER,CHIP;10nF,10%,50V,X7R,1005	1	S.N.A	
...4	C4145	2203-002285	C-CER,CHIP;10nF,10%,50V,X7R,1005	1	S.N.A	
...4	C4146	2203-002285	C-CER,CHIP;10nF,10%,50V,X7R,1005	1	S.N.A	
...4	C4147	2203-002285	C-CER,CHIP;10nF,10%,50V,X7R,1005	1	S.N.A	
...4	C5003	2203-002285	C-CER,CHIP;10nF,10%,50V,X7R,1005	1	S.N.A	
...4	C5005	2203-002285	C-CER,CHIP;10nF,10%,50V,X7R,1005	1	S.N.A	

## 5. Exploded View &amp; Part List

Level	Location No.	Code No.	Description & Specification	Q'ty	SA/SNA	Remark
...4	C5006	2203-002285	C-CER,CHIP;10nF,10%,50V,X7R,1005	1	S.N.A	
...4	C5008	2203-002285	C-CER,CHIP;10nF,10%,50V,X7R,1005	1	S.N.A	
...4	C5020	2203-002285	C-CER,CHIP;10nF,10%,50V,X7R,1005	1	S.N.A	
...4	C5041	2203-002285	C-CER,CHIP;10nF,10%,50V,X7R,1005	1	S.N.A	
...4	C5043	2203-002285	C-CER,CHIP;10nF,10%,50V,X7R,1005	1	S.N.A	
...4	C6004	2203-002285	C-CER,CHIP;10nF,10%,50V,X7R,1005	1	S.N.A	
...4	C6005	2203-002285	C-CER,CHIP;10nF,10%,50V,X7R,1005	1	S.N.A	
...4	C6007	2203-002285	C-CER,CHIP;10nF,10%,50V,X7R,1005	1	S.N.A	
...4	C6009	2203-002285	C-CER,CHIP;10nF,10%,50V,X7R,1005	1	S.N.A	
...4	C6010	2203-002285	C-CER,CHIP;10nF,10%,50V,X7R,1005	1	S.N.A	
...4	C6011	2203-002285	C-CER,CHIP;10nF,10%,50V,X7R,1005	1	S.N.A	
...4	C6013	2203-002285	C-CER,CHIP;10nF,10%,50V,X7R,1005	1	S.N.A	
...4	C6014	2203-002285	C-CER,CHIP;10nF,10%,50V,X7R,1005	1	S.N.A	
...4	C6015	2203-002285	C-CER,CHIP;10nF,10%,50V,X7R,1005	1	S.N.A	
...4	C6016	2203-002285	C-CER,CHIP;10nF,10%,50V,X7R,1005	1	S.N.A	
...4	C6050	2203-002285	C-CER,CHIP;10nF,10%,50V,X7R,1005	1	S.N.A	
...4	C7029	2203-002285	C-CER,CHIP;10nF,10%,50V,X7R,1005	1	S.N.A	
...4	C7035	2203-002285	C-CER,CHIP;10nF,10%,50V,X7R,1005	1	S.N.A	
...4	C7059	2203-002285	C-CER,CHIP;10nF,10%,50V,X7R,1005	1	S.N.A	
...4	C7060	2203-002285	C-CER,CHIP;10nF,10%,50V,X7R,1005	1	S.N.A	
...4	C7061	2203-002285	C-CER,CHIP;10nF,10%,50V,X7R,1005	1	S.N.A	
...4	C7062	2203-002285	C-CER,CHIP;10nF,10%,50V,X7R,1005	1	S.N.A	
...4	C7063	2203-002285	C-CER,CHIP;10nF,10%,50V,X7R,1005	1	S.N.A	
...4	C7064	2203-002285	C-CER,CHIP;10nF,10%,50V,X7R,1005	1	S.N.A	
...4	C7065	2203-002285	C-CER,CHIP;10nF,10%,50V,X7R,1005	1	S.N.A	
...4	C7067	2203-002285	C-CER,CHIP;10nF,10%,50V,X7R,1005	1	S.N.A	
...4	C7068	2203-002285	C-CER,CHIP;10nF,10%,50V,X7R,1005	1	S.N.A	
...4	C7070	2203-002285	C-CER,CHIP;10nF,10%,50V,X7R,1005	1	S.N.A	
...4	C7097	2203-002285	C-CER,CHIP;10nF,10%,50V,X7R,1005	1	S.N.A	
...4	C7098	2203-002285	C-CER,CHIP;10nF,10%,50V,X7R,1005	1	S.N.A	
...4	C7099	2203-002285	C-CER,CHIP;10nF,10%,50V,X7R,1005	1	S.N.A	
...4	C7100	2203-002285	C-CER,CHIP;10nF,10%,50V,X7R,1005	1	S.N.A	
...4	C7101	2203-002285	C-CER,CHIP;10nF,10%,50V,X7R,1005	1	S.N.A	
...4	C7102	2203-002285	C-CER,CHIP;10nF,10%,50V,X7R,1005	1	S.N.A	
...4	C7103	2203-002285	C-CER,CHIP;10nF,10%,50V,X7R,1005	1	S.N.A	
...4	C7104	2203-002285	C-CER,CHIP;10nF,10%,50V,X7R,1005	1	S.N.A	
...4	C7105	2203-002285	C-CER,CHIP;10nF,10%,50V,X7R,1005	1	S.N.A	
...4	C7106	2203-002285	C-CER,CHIP;10nF,10%,50V,X7R,1005	1	S.N.A	
...4	C7107	2203-002285	C-CER,CHIP;10nF,10%,50V,X7R,1005	1	S.N.A	
...4	C7108	2203-002285	C-CER,CHIP;10nF,10%,50V,X7R,1005	1	S.N.A	
...4	C7115	2203-002285	C-CER,CHIP;10nF,10%,50V,X7R,1005	1	S.N.A	
...4	C7116	2203-002285	C-CER,CHIP;10nF,10%,50V,X7R,1005	1	S.N.A	
...4	C7117	2203-002285	C-CER,CHIP;10nF,10%,50V,X7R,1005	1	S.N.A	
...4	C7118	2203-002285	C-CER,CHIP;10nF,10%,50V,X7R,1005	1	S.N.A	
...4	C7161	2203-002285	C-CER,CHIP;10nF,10%,50V,X7R,1005	1	S.N.A	
...4	C7162	2203-002285	C-CER,CHIP;10nF,10%,50V,X7R,1005	1	S.N.A	
...4	C7163	2203-002285	C-CER,CHIP;10nF,10%,50V,X7R,1005	1	S.N.A	
...4	C7164	2203-002285	C-CER,CHIP;10nF,10%,50V,X7R,1005	1	S.N.A	
...4	C7165	2203-002285	C-CER,CHIP;10nF,10%,50V,X7R,1005	1	S.N.A	
...4	C7166	2203-002285	C-CER,CHIP;10nF,10%,50V,X7R,1005	1	S.N.A	
...4	C7167	2203-002285	C-CER,CHIP;10nF,10%,50V,X7R,1005	1	S.N.A	



5. Exploded View & Part List

Level	Location No.	Code No.	Description & Specification	Q'ty	SA/SNA	Remark
...4	C7169	2203-002285	C-CER,CHIP;10nF,10%,50V,X7R,1005	1	S.N.A	
...4	C7170	2203-002285	C-CER,CHIP;10nF,10%,50V,X7R,1005	1	S.N.A	
...4	C7171	2203-002285	C-CER,CHIP;10nF,10%,50V,X7R,1005	1	S.N.A	
...4	C7172	2203-002285	C-CER,CHIP;10nF,10%,50V,X7R,1005	1	S.N.A	
...4	C7173	2203-002285	C-CER,CHIP;10nF,10%,50V,X7R,1005	1	S.N.A	
...4	C7174	2203-002285	C-CER,CHIP;10nF,10%,50V,X7R,1005	1	S.N.A	
...4	C7175	2203-002285	C-CER,CHIP;10nF,10%,50V,X7R,1005	1	S.N.A	
...4	C7176	2203-002285	C-CER,CHIP;10nF,10%,50V,X7R,1005	1	S.N.A	
...4	C7178	2203-002285	C-CER,CHIP;10nF,10%,50V,X7R,1005	1	S.N.A	
...4	C7179	2203-002285	C-CER,CHIP;10nF,10%,50V,X7R,1005	1	S.N.A	
...4	C7180	2203-002285	C-CER,CHIP;10nF,10%,50V,X7R,1005	1	S.N.A	
...4	C7181	2203-002285	C-CER,CHIP;10nF,10%,50V,X7R,1005	1	S.N.A	
...4	C7182	2203-002285	C-CER,CHIP;10nF,10%,50V,X7R,1005	1	S.N.A	
...4	C7183	2203-002285	C-CER,CHIP;10nF,10%,50V,X7R,1005	1	S.N.A	
...4	C7184	2203-002285	C-CER,CHIP;10nF,10%,50V,X7R,1005	1	S.N.A	
...4	C7185	2203-002285	C-CER,CHIP;10nF,10%,50V,X7R,1005	1	S.N.A	
...4	C7209	2203-002285	C-CER,CHIP;10nF,10%,50V,X7R,1005	1	S.N.A	
...4	C7210	2203-002285	C-CER,CHIP;10nF,10%,50V,X7R,1005	1	S.N.A	
...4	C7212	2203-002285	C-CER,CHIP;10nF,10%,50V,X7R,1005	1	S.N.A	
...4	C7224	2203-002285	C-CER,CHIP;10nF,10%,50V,X7R,1005	1	S.N.A	
...4	C7225	2203-002285	C-CER,CHIP;10nF,10%,50V,X7R,1005	1	S.N.A	
...4	C7237	2203-002285	C-CER,CHIP;10nF,10%,50V,X7R,1005	1	S.N.A	
...4	C7240	2203-002285	C-CER,CHIP;10nF,10%,50V,X7R,1005	1	S.N.A	
...4	C7241	2203-002285	C-CER,CHIP;10nF,10%,50V,X7R,1005	1	S.N.A	
...4	C7242	2203-002285	C-CER,CHIP;10nF,10%,50V,X7R,1005	1	S.N.A	
...4	C7243	2203-002285	C-CER,CHIP;10nF,10%,50V,X7R,1005	1	S.N.A	
...4	C7245	2203-002285	C-CER,CHIP;10nF,10%,50V,X7R,1005	1	S.N.A	
...4	C7247	2203-002285	C-CER,CHIP;10nF,10%,50V,X7R,1005	1	S.N.A	
...4	C7248	2203-002285	C-CER,CHIP;10nF,10%,50V,X7R,1005	1	S.N.A	
...4	C7249	2203-002285	C-CER,CHIP;10nF,10%,50V,X7R,1005	1	S.N.A	
...4	C7250	2203-002285	C-CER,CHIP;10nF,10%,50V,X7R,1005	1	S.N.A	
...4	C7251	2203-002285	C-CER,CHIP;10nF,10%,50V,X7R,1005	1	S.N.A	
...4	C7274	2203-002285	C-CER,CHIP;10nF,10%,50V,X7R,1005	1	S.N.A	
...4	C7275	2203-002285	C-CER,CHIP;10nF,10%,50V,X7R,1005	1	S.N.A	
...4	C9024	2203-002285	C-CER,CHIP;10nF,10%,50V,X7R,1005	1	S.N.A	
...4	C2056	2203-002398	C-CER,CHIP;22nF,10%,50V,X7R,1608	1	S.A	
...4	C2060	2203-002398	C-CER,CHIP;22nF,10%,50V,X7R,1608	1	S.A	
...4	C2061	2203-002398	C-CER,CHIP;22nF,10%,50V,X7R,1608	1	S.A	
...4	C2068	2203-002398	C-CER,CHIP;22nF,10%,50V,X7R,1608	1	S.A	
...4	C9026	2203-002398	C-CER,CHIP;22nF,10%,50V,X7R,1608	1	S.A	
...4	C5012	2203-002494	C-CER,CHIP;470nF,10%,16V,X7R,2012	1	S.A	
...4	C1096	2203-002519	C-CER,CHIP;5.6nF,10%,50V,X7R,TP,1005	1	S.N.A	
...4	C1158	2203-002519	C-CER,CHIP;5.6nF,10%,50V,X7R,TP,1005	1	S.N.A	
...4	C1160	2203-002519	C-CER,CHIP;5.6nF,10%,50V,X7R,TP,1005	1	S.N.A	
...4	C1161	2203-002687	C-CER,CHIP;1.2nF,10%,50V,X7R,TP,1005	1	S.A	
...4	C1513	2203-002687	C-CER,CHIP;1.2nF,10%,50V,X7R,TP,1005	1	S.A	
...4	C2084	2203-002687	C-CER,CHIP;1.2nF,10%,50V,X7R,TP,1005	1	S.A	
...4	C2085	2203-002687	C-CER,CHIP;1.2nF,10%,50V,X7R,TP,1005	1	S.A	
...4	C2086	2203-002687	C-CER,CHIP;1.2nF,10%,50V,X7R,TP,1005	1	S.A	
...4	C2087	2203-002687	C-CER,CHIP;1.2nF,10%,50V,X7R,TP,1005	1	S.A	
...4	C3090	2203-002793	C-CER,CHIP;1000nF,+80-20%,25V,Y5V,2012	1	S.A	

## 5. Exploded View &amp; Part List

Level	Location No.	Code No.	Description & Specification	Q'ty	SA/SNA	Remark
...4	C3091	2203-002793	C-CER,CHIP;1000nF,+80-20%,25V,Y5V,2012	1	S.A	
...4	C3092	2203-002793	C-CER,CHIP;1000nF,+80-20%,25V,Y5V,2012	1	S.A	
...4	C3093_4HDM	2203-002793	C-CER,CHIP;1000nF,+80-20%,25V,Y5V,2012	1	S.A	
...4	C3068	2203-005054	C-CER,CHIP;0.0047nF,0.25pF,50V,NP0,1005	1	S.A	
...4	C3069	2203-005054	C-CER,CHIP;0.0047nF,0.25pF,50V,NP0,1005	1	S.A	
...4	C3070	2203-005054	C-CER,CHIP;0.0047nF,0.25pF,50V,NP0,1005	1	S.A	
...4	C3401	2203-005065	C-CER,CHIP;1000nF,+80-20%,10V,Y5V,1608	1	S.A	
...4	C1030	2203-005249	C-CER,CHIP;100nF,10%,50V,X7R,1608	1	S.A	
...4	C2058	2203-005249	C-CER,CHIP;100nF,10%,50V,X7R,1608	1	S.A	
...4	C2067	2203-005249	C-CER,CHIP;100nF,10%,50V,X7R,1608	1	S.A	
...4	C2076	2203-005249	C-CER,CHIP;100nF,10%,50V,X7R,1608	1	S.A	
...4	C2077	2203-005249	C-CER,CHIP;100nF,10%,50V,X7R,1608	1	S.A	
...4	C2078	2203-005249	C-CER,CHIP;100nF,10%,50V,X7R,1608	1	S.A	
...4	C2079	2203-005249	C-CER,CHIP;100nF,10%,50V,X7R,1608	1	S.A	
...4	C2080	2203-005249	C-CER,CHIP;100nF,10%,50V,X7R,1608	1	S.A	
...4	C2081	2203-005249	C-CER,CHIP;100nF,10%,50V,X7R,1608	1	S.A	
...4	C2082	2203-005249	C-CER,CHIP;100nF,10%,50V,X7R,1608	1	S.A	
...4	C2083	2203-005249	C-CER,CHIP;100nF,10%,50V,X7R,1608	1	S.A	
...4	C2089	2203-005249	C-CER,CHIP;100nF,10%,50V,X7R,1608	1	S.A	
...4	C2090	2203-005249	C-CER,CHIP;100nF,10%,50V,X7R,1608	1	S.A	
...4	C5018	2203-005249	C-CER,CHIP;100nF,10%,50V,X7R,1608	1	S.A	
...4	C5042	2203-005249	C-CER,CHIP;100nF,10%,50V,X7R,1608	1	S.A	
...4	C5044	2203-005249	C-CER,CHIP;100nF,10%,50V,X7R,1608	1	S.A	
...4	C3071	2203-005393	C-CER,CHIP;0.005nF,0.1pF,50V,NP0,TP,1005	1	S.N.A	
...4	C3072	2203-005393	C-CER,CHIP;0.005nF,0.1pF,50V,NP0,TP,1005	1	S.N.A	
...4	C1028	2203-005642	C-CER,CHIP;0.22nF,5%,50V,NP0,1005	1	S.N.A	
...4	C4056_T	2203-005642	C-CER,CHIP;0.22nF,5%,50V,NP0,1005	1	S.N.A	
...4	C4057_T	2203-005642	C-CER,CHIP;0.22nF,5%,50V,NP0,1005	1	S.N.A	
...4	C4063_T	2203-005642	C-CER,CHIP;0.22nF,5%,50V,NP0,1005	1	S.N.A	
...4	C4064_T	2203-005642	C-CER,CHIP;0.22nF,5%,50V,NP0,1005	1	S.N.A	
...4	C4065_T	2203-005642	C-CER,CHIP;0.22nF,5%,50V,NP0,1005	1	S.N.A	
...4	C1053	2203-005834	C-CER,CHIP;2200nF,+80-20%,10V,Y5V,3216	1	S.A	
...4	C1057	2203-005834	C-CER,CHIP;2200nF,+80-20%,10V,Y5V,3216	1	S.A	
...4	C1094	2203-005834	C-CER,CHIP;2200nF,+80-20%,10V,Y5V,3216	1	S.A	
...4	C1102	2203-005834	C-CER,CHIP;2200nF,+80-20%,10V,Y5V,3216	1	S.A	
...4	C1152	2203-005834	C-CER,CHIP;2200nF,+80-20%,10V,Y5V,3216	1	S.A	
...4	C1163	2203-005834	C-CER,CHIP;2200nF,+80-20%,10V,Y5V,3216	1	S.A	
...4	C1169	2203-005834	C-CER,CHIP;2200nF,+80-20%,10V,Y5V,3216	1	S.A	
...4	C1190	2203-005834	C-CER,CHIP;2200nF,+80-20%,10V,Y5V,3216	1	S.A	
...4	C1191	2203-005834	C-CER,CHIP;2200nF,+80-20%,10V,Y5V,3216	1	S.A	
...4	C1192	2203-005834	C-CER,CHIP;2200nF,+80-20%,10V,Y5V,3216	1	S.A	
...4	C1193	2203-005834	C-CER,CHIP;2200nF,+80-20%,10V,Y5V,3216	1	S.A	
...4	C5013	2203-005834	C-CER,CHIP;2200nF,+80-20%,10V,Y5V,3216	1	S.A	
...4	C1029	2203-005968	C-CER,CHIP;4.7NF,10%,50V,X7R,TP,1005	1	S.N.A	
...4	C2022	2203-005968	C-CER,CHIP;4.7NF,10%,50V,X7R,TP,1005	1	S.N.A	
...4	C2025	2203-005968	C-CER,CHIP;4.7NF,10%,50V,X7R,TP,1005	1	S.N.A	
...4	C3040	2203-005968	C-CER,CHIP;4.7NF,10%,50V,X7R,TP,1005	1	S.N.A	
...4	C4094	2203-005968	C-CER,CHIP;4.7NF,10%,50V,X7R,TP,1005	1	S.N.A	
...4	C6021	2203-005968	C-CER,CHIP;4.7NF,10%,50V,X7R,TP,1005	1	S.N.A	
...4	C9028	2203-006039	C-CER,CHIP;1nF,10%,2000V,X7R,3216	1	S.A	
...4	C9030	2203-006039	C-CER,CHIP;1nF,10%,2000V,X7R,3216	1	S.A	

5. Exploded View & Part List

Level	Location No.	Code No.	Description & Specification	Q'ty	SA/SNA	Remark
...4	C1037	2203-006104	C-CER,CHIP;1000nF,10%,50V,X7R,3225	1	S.A	
...4	C4079	2203-006126	C-CER,CHIP;47NF,10%,16V,X7R,TP,1005	1	S.N.A	
...4	C4080	2203-006126	C-CER,CHIP;47NF,10%,16V,X7R,TP,1005	1	S.N.A	
...4	C4081	2203-006126	C-CER,CHIP;47NF,10%,16V,X7R,TP,1005	1	S.N.A	
...4	C4082	2203-006126	C-CER,CHIP;47NF,10%,16V,X7R,TP,1005	1	S.N.A	
...4	C4083	2203-006126	C-CER,CHIP;47NF,10%,16V,X7R,TP,1005	1	S.N.A	
...4	C4084	2203-006126	C-CER,CHIP;47NF,10%,16V,X7R,TP,1005	1	S.N.A	
...4	C4085	2203-006126	C-CER,CHIP;47NF,10%,16V,X7R,TP,1005	1	S.N.A	
...4	C1007	2203-006141	C-CER,CHIP;1000nF,10%,16V,X5R,1608	1	S.A	
...4	C2055	2203-006141	C-CER,CHIP;1000nF,10%,16V,X5R,1608	1	S.A	
...4	C2062	2203-006141	C-CER,CHIP;1000nF,10%,16V,X5R,1608	1	S.A	
...4	C2063	2203-006141	C-CER,CHIP;1000nF,10%,16V,X5R,1608	1	S.A	
...4	C2066	2203-006141	C-CER,CHIP;1000nF,10%,16V,X5R,1608	1	S.A	
...4	C1040	2203-006158	C-CER,CHIP;100nF,10%,16V,X7R,1005	1	S.N.A	
...4	C1041	2203-006158	C-CER,CHIP;100nF,10%,16V,X7R,1005	1	S.N.A	
...4	C1044	2203-006158	C-CER,CHIP;100nF,10%,16V,X7R,1005	1	S.N.A	
...4	C1086	2203-006158	C-CER,CHIP;100nF,10%,16V,X7R,1005	1	S.N.A	
...4	C1166	2203-006158	C-CER,CHIP;100nF,10%,16V,X7R,1005	1	S.N.A	
...4	C2014	2203-006158	C-CER,CHIP;100nF,10%,16V,X7R,1005	1	S.N.A	
...4	C2015	2203-006158	C-CER,CHIP;100nF,10%,16V,X7R,1005	1	S.N.A	
...4	C2033	2203-006158	C-CER,CHIP;100nF,10%,16V,X7R,1005	1	S.N.A	
...4	C2035	2203-006158	C-CER,CHIP;100nF,10%,16V,X7R,1005	1	S.N.A	
...4	C2039	2203-006158	C-CER,CHIP;100nF,10%,16V,X7R,1005	1	S.N.A	
...4	C2040	2203-006158	C-CER,CHIP;100nF,10%,16V,X7R,1005	1	S.N.A	
...4	C2046	2203-006158	C-CER,CHIP;100nF,10%,16V,X7R,1005	1	S.N.A	
...4	C2047	2203-006158	C-CER,CHIP;100nF,10%,16V,X7R,1005	1	S.N.A	
...4	C2048	2203-006158	C-CER,CHIP;100nF,10%,16V,X7R,1005	1	S.N.A	
...4	C2049	2203-006158	C-CER,CHIP;100nF,10%,16V,X7R,1005	1	S.N.A	
...4	C2051	2203-006158	C-CER,CHIP;100nF,10%,16V,X7R,1005	1	S.N.A	
...4	C2054	2203-006158	C-CER,CHIP;100nF,10%,16V,X7R,1005	1	S.N.A	
...4	C2059	2203-006158	C-CER,CHIP;100nF,10%,16V,X7R,1005	1	S.N.A	
...4	C3016	2203-006158	C-CER,CHIP;100nF,10%,16V,X7R,1005	1	S.N.A	
...4	C3081	2203-006158	C-CER,CHIP;100nF,10%,16V,X7R,1005	1	S.N.A	
...4	C3302_FAN	2203-006158	C-CER,CHIP;100nF,10%,16V,X7R,1005	1	S.N.A	
...4	C3304_FAN	2203-006158	C-CER,CHIP;100nF,10%,16V,X7R,1005	1	S.N.A	
...4	C3308_FAN	2203-006158	C-CER,CHIP;100nF,10%,16V,X7R,1005	1	S.N.A	
...4	C4001	2203-006158	C-CER,CHIP;100nF,10%,16V,X7R,1005	1	S.N.A	
...4	C4002	2203-006158	C-CER,CHIP;100nF,10%,16V,X7R,1005	1	S.N.A	
...4	C4003	2203-006158	C-CER,CHIP;100nF,10%,16V,X7R,1005	1	S.N.A	
...4	C4004	2203-006158	C-CER,CHIP;100nF,10%,16V,X7R,1005	1	S.N.A	
...4	C4009	2203-006158	C-CER,CHIP;100nF,10%,16V,X7R,1005	1	S.N.A	
...4	C4014	2203-006158	C-CER,CHIP;100nF,10%,16V,X7R,1005	1	S.N.A	
...4	C4021	2203-006158	C-CER,CHIP;100nF,10%,16V,X7R,1005	1	S.N.A	
...4	C4023	2203-006158	C-CER,CHIP;100nF,10%,16V,X7R,1005	1	S.N.A	
...4	C4025	2203-006158	C-CER,CHIP;100nF,10%,16V,X7R,1005	1	S.N.A	
...4	C4028	2203-006158	C-CER,CHIP;100nF,10%,16V,X7R,1005	1	S.N.A	
...4	C4029	2203-006158	C-CER,CHIP;100nF,10%,16V,X7R,1005	1	S.N.A	
...4	C4038	2203-006158	C-CER,CHIP;100nF,10%,16V,X7R,1005	1	S.N.A	
...4	C4068	2203-006158	C-CER,CHIP;100nF,10%,16V,X7R,1005	1	S.N.A	
...4	C4104	2203-006158	C-CER,CHIP;100nF,10%,16V,X7R,1005	1	S.N.A	
...4	C4105	2203-006158	C-CER,CHIP;100nF,10%,16V,X7R,1005	1	S.N.A	



## 5. Exploded View &amp; Part List

Level	Location No.	Code No.	Description & Specification	Q'ty	SA/SNA	Remark
...4	C4117	2203-006158	C-CER,CHIP;100nF,10%,16V,X7R,1005	1	S.N.A	
...4	C4123	2203-006158	C-CER,CHIP;100nF,10%,16V,X7R,1005	1	S.N.A	
...4	C4127	2203-006158	C-CER,CHIP;100nF,10%,16V,X7R,1005	1	S.N.A	
...4	C4136	2203-006158	C-CER,CHIP;100nF,10%,16V,X7R,1005	1	S.N.A	
...4	C4137	2203-006158	C-CER,CHIP;100nF,10%,16V,X7R,1005	1	S.N.A	
...4	C4138	2203-006158	C-CER,CHIP;100nF,10%,16V,X7R,1005	1	S.N.A	
...4	C4139	2203-006158	C-CER,CHIP;100nF,10%,16V,X7R,1005	1	S.N.A	
...4	C4140	2203-006158	C-CER,CHIP;100nF,10%,16V,X7R,1005	1	S.N.A	
...4	C4141	2203-006158	C-CER,CHIP;100nF,10%,16V,X7R,1005	1	S.N.A	
...4	C4201	2203-006158	C-CER,CHIP;100nF,10%,16V,X7R,1005	1	S.N.A	
...4	C5004	2203-006158	C-CER,CHIP;100nF,10%,16V,X7R,1005	1	S.N.A	
...4	C5014	2203-006158	C-CER,CHIP;100nF,10%,16V,X7R,1005	1	S.N.A	
...4	C5017	2203-006158	C-CER,CHIP;100nF,10%,16V,X7R,1005	1	S.N.A	
...4	C5031	2203-006158	C-CER,CHIP;100nF,10%,16V,X7R,1005	1	S.N.A	
...4	C5033	2203-006158	C-CER,CHIP;100nF,10%,16V,X7R,1005	1	S.N.A	
...4	C5034	2203-006158	C-CER,CHIP;100nF,10%,16V,X7R,1005	1	S.N.A	
...4	C5035	2203-006158	C-CER,CHIP;100nF,10%,16V,X7R,1005	1	S.N.A	
...4	C5036	2203-006158	C-CER,CHIP;100nF,10%,16V,X7R,1005	1	S.N.A	
...4	C5037	2203-006158	C-CER,CHIP;100nF,10%,16V,X7R,1005	1	S.N.A	
...4	C5039_SLIM	2203-006158	C-CER,CHIP;100nF,10%,16V,X7R,1005	1	S.N.A	
...4	C5102	2203-006158	C-CER,CHIP;100nF,10%,16V,X7R,1005	1	S.N.A	
...4	C6023	2203-006158	C-CER,CHIP;100nF,10%,16V,X7R,1005	1	S.N.A	
...4	C7028	2203-006158	C-CER,CHIP;100nF,10%,16V,X7R,1005	1	S.N.A	
...4	C7031	2203-006158	C-CER,CHIP;100nF,10%,16V,X7R,1005	1	S.N.A	
...4	C7058	2203-006158	C-CER,CHIP;100nF,10%,16V,X7R,1005	1	S.N.A	
...4	C7069	2203-006158	C-CER,CHIP;100nF,10%,16V,X7R,1005	1	S.N.A	
...4	C7076	2203-006158	C-CER,CHIP;100nF,10%,16V,X7R,1005	1	S.N.A	
...4	C7077	2203-006158	C-CER,CHIP;100nF,10%,16V,X7R,1005	1	S.N.A	
...4	C7121	2203-006158	C-CER,CHIP;100nF,10%,16V,X7R,1005	1	S.N.A	
...4	C7122	2203-006158	C-CER,CHIP;100nF,10%,16V,X7R,1005	1	S.N.A	
...4	C7123	2203-006158	C-CER,CHIP;100nF,10%,16V,X7R,1005	1	S.N.A	
...4	C7124	2203-006158	C-CER,CHIP;100nF,10%,16V,X7R,1005	1	S.N.A	
...4	C7125	2203-006158	C-CER,CHIP;100nF,10%,16V,X7R,1005	1	S.N.A	
...4	C7126	2203-006158	C-CER,CHIP;100nF,10%,16V,X7R,1005	1	S.N.A	
...4	C7130	2203-006158	C-CER,CHIP;100nF,10%,16V,X7R,1005	1	S.N.A	
...4	C7131	2203-006158	C-CER,CHIP;100nF,10%,16V,X7R,1005	1	S.N.A	
...4	C7134	2203-006158	C-CER,CHIP;100nF,10%,16V,X7R,1005	1	S.N.A	
...4	C7135	2203-006158	C-CER,CHIP;100nF,10%,16V,X7R,1005	1	S.N.A	
...4	C7139	2203-006158	C-CER,CHIP;100nF,10%,16V,X7R,1005	1	S.N.A	
...4	C7142	2203-006158	C-CER,CHIP;100nF,10%,16V,X7R,1005	1	S.N.A	
...4	C7143	2203-006158	C-CER,CHIP;100nF,10%,16V,X7R,1005	1	S.N.A	
...4	C7144	2203-006158	C-CER,CHIP;100nF,10%,16V,X7R,1005	1	S.N.A	
...4	C7145	2203-006158	C-CER,CHIP;100nF,10%,16V,X7R,1005	1	S.N.A	
...4	C7146	2203-006158	C-CER,CHIP;100nF,10%,16V,X7R,1005	1	S.N.A	
...4	C7147	2203-006158	C-CER,CHIP;100nF,10%,16V,X7R,1005	1	S.N.A	
...4	C7148	2203-006158	C-CER,CHIP;100nF,10%,16V,X7R,1005	1	S.N.A	
...4	C7149	2203-006158	C-CER,CHIP;100nF,10%,16V,X7R,1005	1	S.N.A	
...4	C7150	2203-006158	C-CER,CHIP;100nF,10%,16V,X7R,1005	1	S.N.A	
...4	C7151	2203-006158	C-CER,CHIP;100nF,10%,16V,X7R,1005	1	S.N.A	
...4	C7152	2203-006158	C-CER,CHIP;100nF,10%,16V,X7R,1005	1	S.N.A	
...4	C7153	2203-006158	C-CER,CHIP;100nF,10%,16V,X7R,1005	1	S.N.A	

5. Exploded View & Part List

Level	Location No.	Code No.	Description & Specification	Q'ty	SA/SNA	Remark
...4	C7160	2203-006158	C-CER,CHIP;100nF,10%,16V,X7R,1005	1	S.N.A	
...4	C7177	2203-006158	C-CER,CHIP;100nF,10%,16V,X7R,1005	1	S.N.A	
...4	C7187	2203-006158	C-CER,CHIP;100nF,10%,16V,X7R,1005	1	S.N.A	
...4	C7188	2203-006158	C-CER,CHIP;100nF,10%,16V,X7R,1005	1	S.N.A	
...4	C7189	2203-006158	C-CER,CHIP;100nF,10%,16V,X7R,1005	1	S.N.A	
...4	C7190	2203-006158	C-CER,CHIP;100nF,10%,16V,X7R,1005	1	S.N.A	
...4	C7201	2203-006158	C-CER,CHIP;100nF,10%,16V,X7R,1005	1	S.N.A	
...4	C7203	2203-006158	C-CER,CHIP;100nF,10%,16V,X7R,1005	1	S.N.A	
...4	C7204	2203-006158	C-CER,CHIP;100nF,10%,16V,X7R,1005	1	S.N.A	
...4	C7205	2203-006158	C-CER,CHIP;100nF,10%,16V,X7R,1005	1	S.N.A	
...4	C7206	2203-006158	C-CER,CHIP;100nF,10%,16V,X7R,1005	1	S.N.A	
...4	C7211	2203-006158	C-CER,CHIP;100nF,10%,16V,X7R,1005	1	S.N.A	
...4	C7213	2203-006158	C-CER,CHIP;100nF,10%,16V,X7R,1005	1	S.N.A	
...4	C7214	2203-006158	C-CER,CHIP;100nF,10%,16V,X7R,1005	1	S.N.A	
...4	C7215	2203-006158	C-CER,CHIP;100nF,10%,16V,X7R,1005	1	S.N.A	
...4	C7218	2203-006158	C-CER,CHIP;100nF,10%,16V,X7R,1005	1	S.N.A	
...4	C7220	2203-006158	C-CER,CHIP;100nF,10%,16V,X7R,1005	1	S.N.A	
...4	C7222	2203-006158	C-CER,CHIP;100nF,10%,16V,X7R,1005	1	S.N.A	
...4	C7226	2203-006158	C-CER,CHIP;100nF,10%,16V,X7R,1005	1	S.N.A	
...4	C7227	2203-006158	C-CER,CHIP;100nF,10%,16V,X7R,1005	1	S.N.A	
...4	C7228	2203-006158	C-CER,CHIP;100nF,10%,16V,X7R,1005	1	S.N.A	
...4	C7229	2203-006158	C-CER,CHIP;100nF,10%,16V,X7R,1005	1	S.N.A	
...4	C7230	2203-006158	C-CER,CHIP;100nF,10%,16V,X7R,1005	1	S.N.A	
...4	C7233	2203-006158	C-CER,CHIP;100nF,10%,16V,X7R,1005	1	S.N.A	
...4	C7235	2203-006158	C-CER,CHIP;100nF,10%,16V,X7R,1005	1	S.N.A	
...4	C7236	2203-006158	C-CER,CHIP;100nF,10%,16V,X7R,1005	1	S.N.A	
...4	C7238	2203-006158	C-CER,CHIP;100nF,10%,16V,X7R,1005	1	S.N.A	
...4	C7244	2203-006158	C-CER,CHIP;100nF,10%,16V,X7R,1005	1	S.N.A	
...4	C7252	2203-006158	C-CER,CHIP;100nF,10%,16V,X7R,1005	1	S.N.A	
...4	C7254	2203-006158	C-CER,CHIP;100nF,10%,16V,X7R,1005	1	S.N.A	
...4	C7255	2203-006158	C-CER,CHIP;100nF,10%,16V,X7R,1005	1	S.N.A	
...4	C7256	2203-006158	C-CER,CHIP;100nF,10%,16V,X7R,1005	1	S.N.A	
...4	C7265	2203-006158	C-CER,CHIP;100nF,10%,16V,X7R,1005	1	S.N.A	
...4	C9002	2203-006158	C-CER,CHIP;100nF,10%,16V,X7R,1005	1	S.N.A	
...4	C9005	2203-006158	C-CER,CHIP;100nF,10%,16V,X7R,1005	1	S.N.A	
...4	C9007	2203-006158	C-CER,CHIP;100nF,10%,16V,X7R,1005	1	S.N.A	
...4	C9009	2203-006158	C-CER,CHIP;100nF,10%,16V,X7R,1005	1	S.N.A	
...4	C9011	2203-006158	C-CER,CHIP;100nF,10%,16V,X7R,1005	1	S.N.A	
...4	C9012	2203-006158	C-CER,CHIP;100nF,10%,16V,X7R,1005	1	S.N.A	
...4	C9014	2203-006158	C-CER,CHIP;100nF,10%,16V,X7R,1005	1	S.N.A	
...4	C9015	2203-006158	C-CER,CHIP;100nF,10%,16V,X7R,1005	1	S.N.A	
...4	C9016	2203-006158	C-CER,CHIP;100nF,10%,16V,X7R,1005	1	S.N.A	
...4	C9018	2203-006158	C-CER,CHIP;100nF,10%,16V,X7R,1005	1	S.N.A	
...4	C9020	2203-006158	C-CER,CHIP;100nF,10%,16V,X7R,1005	1	S.N.A	
...4	C9022	2203-006158	C-CER,CHIP;100nF,10%,16V,X7R,1005	1	S.N.A	
...4	C9023	2203-006158	C-CER,CHIP;100nF,10%,16V,X7R,1005	1	S.N.A	
...4	C9029	2203-006158	C-CER,CHIP;100nF,10%,16V,X7R,1005	1	S.N.A	
...4	C9032	2203-006158	C-CER,CHIP;100nF,10%,16V,X7R,1005	1	S.N.A	
...4	C9033	2203-006158	C-CER,CHIP;100nF,10%,16V,X7R,1005	1	S.N.A	
...4	C1093	2203-006307	C-CER,CHIP;1000nF,10%,25V,X5R,2012	1	S.A	
...4	C1080	2203-006333	C-CER,CHIP;10000nF,20%,16V,X5R,TP,3216	1	S.A	

Level	Location No.	Code No.	Description & Specification	Q'ty	SA/SNA	Remark
...4	C1087	2203-006333	C-CER,CHIP;1000nF,20%,16V,X5R,TP,3216	1	S.A	
...4	C1090	2203-006333	C-CER,CHIP;1000nF,20%,16V,X5R,TP,3216	1	S.A	
...4	C1095	2203-006333	C-CER,CHIP;1000nF,20%,16V,X5R,TP,3216	1	S.A	
...4	C2057	2203-006336	C-CER,CHIP;1000nF,10%,25V,X5R,3216	1	S.A	
...4	C1059	2203-006361	C-CER,CHIP;1000nF,10%,10V,X5R,2012	1	S.A	
...4	C1099	2203-006361	C-CER,CHIP;1000nF,10%,10V,X5R,2012	1	S.A	
...4	C3412	2203-006361	C-CER,CHIP;1000nF,10%,10V,X5R,2012	1	S.A	
...4	C3420	2203-006361	C-CER,CHIP;1000nF,10%,10V,X5R,2012	1	S.A	
...4	C3421	2203-006361	C-CER,CHIP;1000nF,10%,10V,X5R,2012	1	S.A	
...4	C3422	2203-006361	C-CER,CHIP;1000nF,10%,10V,X5R,2012	1	S.A	
...4	C3423	2203-006361	C-CER,CHIP;1000nF,10%,10V,X5R,2012	1	S.A	
...4	C9040	2203-006361	C-CER,CHIP;1000nF,10%,10V,X5R,2012	1	S.A	
...4	C2002	2203-006562	C-CER,CHIP;1000nF,10%,10V,X5R,1005	1	S.N.A	
...4	C2003	2203-006562	C-CER,CHIP;1000nF,10%,10V,X5R,1005	1	S.N.A	
...4	C2004	2203-006562	C-CER,CHIP;1000nF,10%,10V,X5R,1005	1	S.N.A	
...4	C2005	2203-006562	C-CER,CHIP;1000nF,10%,10V,X5R,1005	1	S.N.A	
...4	C2006	2203-006562	C-CER,CHIP;1000nF,10%,10V,X5R,1005	1	S.N.A	
...4	C2007	2203-006562	C-CER,CHIP;1000nF,10%,10V,X5R,1005	1	S.N.A	
...4	C2008	2203-006562	C-CER,CHIP;1000nF,10%,10V,X5R,1005	1	S.N.A	
...4	C2009	2203-006562	C-CER,CHIP;1000nF,10%,10V,X5R,1005	1	S.N.A	
...4	C2010	2203-006562	C-CER,CHIP;1000nF,10%,10V,X5R,1005	1	S.N.A	
...4	C2011	2203-006562	C-CER,CHIP;1000nF,10%,10V,X5R,1005	1	S.N.A	
...4	C2012	2203-006562	C-CER,CHIP;1000nF,10%,10V,X5R,1005	1	S.N.A	
...4	C2013	2203-006562	C-CER,CHIP;1000nF,10%,10V,X5R,1005	1	S.N.A	
...4	C2036	2203-006562	C-CER,CHIP;1000nF,10%,10V,X5R,1005	1	S.N.A	
...4	C4106	2203-006562	C-CER,CHIP;1000nF,10%,10V,X5R,1005	1	S.N.A	
...4	C6024	2203-006562	C-CER,CHIP;1000nF,10%,10V,X5R,1005	1	S.N.A	
...4	C7223	2203-006562	C-CER,CHIP;1000nF,10%,10V,X5R,1005	1	S.N.A	
...4	C7231	2203-006562	C-CER,CHIP;1000nF,10%,10V,X5R,1005	1	S.N.A	
...4	C7239	2203-006562	C-CER,CHIP;1000nF,10%,10V,X5R,1005	1	S.N.A	
...4	C9004	2203-006562	C-CER,CHIP;1000nF,10%,10V,X5R,1005	1	S.N.A	
...4	C1002_NACH	2203-006681	C-CER,CHIP;100nF,+80-20%,25V,Y5V,1005	1	S.N.A	
...4	C1008	2203-006681	C-CER,CHIP;100nF,+80-20%,25V,Y5V,1005	1	S.N.A	
...4	C1010	2203-006681	C-CER,CHIP;100nF,+80-20%,25V,Y5V,1005	1	S.N.A	
...4	C1011	2203-006681	C-CER,CHIP;100nF,+80-20%,25V,Y5V,1005	1	S.N.A	
...4	C1068	2203-006681	C-CER,CHIP;100nF,+80-20%,25V,Y5V,1005	1	S.N.A	
...4	C1072	2203-006681	C-CER,CHIP;100nF,+80-20%,25V,Y5V,1005	1	S.N.A	
...4	C1073	2203-006681	C-CER,CHIP;100nF,+80-20%,25V,Y5V,1005	1	S.N.A	
...4	C1141	2203-006681	C-CER,CHIP;100nF,+80-20%,25V,Y5V,1005	1	S.N.A	
...4	C1146	2203-006681	C-CER,CHIP;100nF,+80-20%,25V,Y5V,1005	1	S.N.A	
...4	C1195_FAN	2203-006681	C-CER,CHIP;100nF,+80-20%,25V,Y5V,1005	1	S.N.A	
...4	C1196_FAN	2203-006681	C-CER,CHIP;100nF,+80-20%,25V,Y5V,1005	1	S.N.A	
...4	C1198_NACH	2203-006681	C-CER,CHIP;100nF,+80-20%,25V,Y5V,1005	1	S.N.A	
...4	C1211	2203-006681	C-CER,CHIP;100nF,+80-20%,25V,Y5V,1005	1	S.N.A	
...4	C2019	2203-006681	C-CER,CHIP;100nF,+80-20%,25V,Y5V,1005	1	S.N.A	
...4	C2020	2203-006681	C-CER,CHIP;100nF,+80-20%,25V,Y5V,1005	1	S.N.A	
...4	C2024	2203-006681	C-CER,CHIP;100nF,+80-20%,25V,Y5V,1005	1	S.N.A	
...4	C3067	2203-006681	C-CER,CHIP;100nF,+80-20%,25V,Y5V,1005	1	S.N.A	
...4	C3075	2203-006681	C-CER,CHIP;100nF,+80-20%,25V,Y5V,1005	1	S.N.A	
...4	C3077	2203-006681	C-CER,CHIP;100nF,+80-20%,25V,Y5V,1005	1	S.N.A	
...4	C3080_4HDM	2203-006681	C-CER,CHIP;100nF,+80-20%,25V,Y5V,1005	1	S.N.A	



Level	Location No.	Code No.	Description & Specification	Q'ty	SA/SNA	Remark
...4	C6101	2203-006681	C-CER,CHIP;100nF,+80-20%,25V,Y5V,1005	1	S.N.A	
...4	C7001	2203-006681	C-CER,CHIP;100nF,+80-20%,25V,Y5V,1005	1	S.N.A	
...4	C7002	2203-006681	C-CER,CHIP;100nF,+80-20%,25V,Y5V,1005	1	S.N.A	
...4	C7015	2203-006681	C-CER,CHIP;100nF,+80-20%,25V,Y5V,1005	1	S.N.A	
...4	C7016	2203-006681	C-CER,CHIP;100nF,+80-20%,25V,Y5V,1005	1	S.N.A	
...4	C3054_NSID	2203-006992	C-CER,CHIP;0.33nF,5%,50V,C0G,1005	1	S.N.A	
...4	C3055_NSID	2203-006992	C-CER,CHIP;0.33nF,5%,50V,C0G,1005	1	S.N.A	
...4	C3079	2203-006992	C-CER,CHIP;0.33nF,5%,50V,C0G,1005	1	S.N.A	
...4	C3082	2203-006992	C-CER,CHIP;0.33nF,5%,50V,C0G,1005	1	S.N.A	
...4	C3084	2203-006992	C-CER,CHIP;0.33nF,5%,50V,C0G,1005	1	S.N.A	
...4	C3085	2203-006992	C-CER,CHIP;0.33nF,5%,50V,C0G,1005	1	S.N.A	
...4	C6022	2203-006992	C-CER,CHIP;0.33nF,5%,50V,C0G,1005	1	S.N.A	
...4	C1005_NACH	2203-007176	C-CER,CHIP;10000nF,10%,16V,X5R,TP,2012 (	1	S.N.A	
...4	C1019	2203-007176	C-CER,CHIP;10000nF,10%,16V,X5R,TP,2012 (	1	S.N.A	
...4	C1039	2203-007176	C-CER,CHIP;10000nF,10%,16V,X5R,TP,2012 (	1	S.N.A	
...4	C1042	2203-007176	C-CER,CHIP;10000nF,10%,16V,X5R,TP,2012 (	1	S.N.A	
...4	C1048	2203-007176	C-CER,CHIP;10000nF,10%,16V,X5R,TP,2012 (	1	S.N.A	
...4	C1049	2203-007176	C-CER,CHIP;10000nF,10%,16V,X5R,TP,2012 (	1	S.N.A	
...4	C1055	2203-007176	C-CER,CHIP;10000nF,10%,16V,X5R,TP,2012 (	1	S.N.A	
...4	C1056	2203-007176	C-CER,CHIP;10000nF,10%,16V,X5R,TP,2012 (	1	S.N.A	
...4	C1063	2203-007176	C-CER,CHIP;10000nF,10%,16V,X5R,TP,2012 (	1	S.N.A	
...4	C1064	2203-007176	C-CER,CHIP;10000nF,10%,16V,X5R,TP,2012 (	1	S.N.A	
...4	C1065	2203-007176	C-CER,CHIP;10000nF,10%,16V,X5R,TP,2012 (	1	S.N.A	
...4	C1171	2203-007176	C-CER,CHIP;10000nF,10%,16V,X5R,TP,2012 (	1	S.N.A	
...4	C1172	2203-007176	C-CER,CHIP;10000nF,10%,16V,X5R,TP,2012 (	1	S.N.A	
...4	C1173	2203-007176	C-CER,CHIP;10000nF,10%,16V,X5R,TP,2012 (	1	S.N.A	
...4	C1174	2203-007176	C-CER,CHIP;10000nF,10%,16V,X5R,TP,2012 (	1	S.N.A	
...4	C1194_FAN	2203-007176	C-CER,CHIP;10000nF,10%,16V,X5R,TP,2012 (	1	S.N.A	
...4	C1197_FAN	2203-007176	C-CER,CHIP;10000nF,10%,16V,X5R,TP,2012 (	1	S.N.A	
...4	C1199_NACH	2203-007176	C-CER,CHIP;10000nF,10%,16V,X5R,TP,2012 (	1	S.N.A	
...4	C1200_NACH	2203-007176	C-CER,CHIP;10000nF,10%,16V,X5R,TP,2012 (	1	S.N.A	
...4	C1204	2203-007176	C-CER,CHIP;10000nF,10%,16V,X5R,TP,2012 (	1	S.N.A	
...4	C1205	2203-007176	C-CER,CHIP;10000nF,10%,16V,X5R,TP,2012 (	1	S.N.A	
...4	C1206	2203-007176	C-CER,CHIP;10000nF,10%,16V,X5R,TP,2012 (	1	S.N.A	
...4	C1207	2203-007176	C-CER,CHIP;10000nF,10%,16V,X5R,TP,2012 (	1	S.N.A	
...4	C1208	2203-007176	C-CER,CHIP;10000nF,10%,16V,X5R,TP,2012 (	1	S.N.A	
...4	C1213	2203-007176	C-CER,CHIP;10000nF,10%,16V,X5R,TP,2012 (	1	S.N.A	
...4	C2016	2203-007176	C-CER,CHIP;10000nF,10%,16V,X5R,TP,2012 (	1	S.N.A	
...4	C2017	2203-007176	C-CER,CHIP;10000nF,10%,16V,X5R,TP,2012 (	1	S.N.A	
...4	C2018	2203-007176	C-CER,CHIP;10000nF,10%,16V,X5R,TP,2012 (	1	S.N.A	
...4	C2021	2203-007176	C-CER,CHIP;10000nF,10%,16V,X5R,TP,2012 (	1	S.N.A	
...4	C2023	2203-007176	C-CER,CHIP;10000nF,10%,16V,X5R,TP,2012 (	1	S.N.A	
...4	C2026	2203-007176	C-CER,CHIP;10000nF,10%,16V,X5R,TP,2012 (	1	S.N.A	
...4	C2027	2203-007176	C-CER,CHIP;10000nF,10%,16V,X5R,TP,2012 (	1	S.N.A	
...4	C2034	2203-007176	C-CER,CHIP;10000nF,10%,16V,X5R,TP,2012 (	1	S.N.A	
...4	C2041	2203-007176	C-CER,CHIP;10000nF,10%,16V,X5R,TP,2012 (	1	S.N.A	
...4	C2042	2203-007176	C-CER,CHIP;10000nF,10%,16V,X5R,TP,2012 (	1	S.N.A	
...4	C2043	2203-007176	C-CER,CHIP;10000nF,10%,16V,X5R,TP,2012 (	1	S.N.A	
...4	C2044	2203-007176	C-CER,CHIP;10000nF,10%,16V,X5R,TP,2012 (	1	S.N.A	
...4	C2045	2203-007176	C-CER,CHIP;10000nF,10%,16V,X5R,TP,2012 (	1	S.N.A	
...4	C2050	2203-007176	C-CER,CHIP;10000nF,10%,16V,X5R,TP,2012 (	1	S.N.A	



5. Exploded View & Part List

Level	Location No.	Code No.	Description & Specification	Q'ty	SA/SNA	Remark
...4	C2065	2203-007176	C-CER,CHIP;10000nF,10%,16V,X5R,TP,2012 (	1	S.N.A	
...4	C2101	2203-007176	C-CER,CHIP;10000nF,10%,16V,X5R,TP,2012 (	1	S.N.A	
...4	C2102	2203-007176	C-CER,CHIP;10000nF,10%,16V,X5R,TP,2012 (	1	S.N.A	
...4	C3006	2203-007176	C-CER,CHIP;10000nF,10%,16V,X5R,TP,2012 (	1	S.N.A	
...4	C3007	2203-007176	C-CER,CHIP;10000nF,10%,16V,X5R,TP,2012 (	1	S.N.A	
...4	C3014	2203-007176	C-CER,CHIP;10000nF,10%,16V,X5R,TP,2012 (	1	S.N.A	
...4	C3015	2203-007176	C-CER,CHIP;10000nF,10%,16V,X5R,TP,2012 (	1	S.N.A	
...4	C3066	2203-007176	C-CER,CHIP;10000nF,10%,16V,X5R,TP,2012 (	1	S.N.A	
...4	C3074	2203-007176	C-CER,CHIP;10000nF,10%,16V,X5R,TP,2012 (	1	S.N.A	
...4	C3076	2203-007176	C-CER,CHIP;10000nF,10%,16V,X5R,TP,2012 (	1	S.N.A	
...4	C3078_4HDM	2203-007176	C-CER,CHIP;10000nF,10%,16V,X5R,TP,2012 (	1	S.N.A	
...4	C3083	2203-007176	C-CER,CHIP;10000nF,10%,16V,X5R,TP,2012 (	1	S.N.A	
...4	C3086	2203-007176	C-CER,CHIP;10000nF,10%,16V,X5R,TP,2012 (	1	S.N.A	
...4	C3301_FAN	2203-007176	C-CER,CHIP;10000nF,10%,16V,X5R,TP,2012 (	1	S.N.A	
...4	C3303_FAN	2203-007176	C-CER,CHIP;10000nF,10%,16V,X5R,TP,2012 (	1	S.N.A	
...4	C3307_FAN	2203-007176	C-CER,CHIP;10000nF,10%,16V,X5R,TP,2012 (	1	S.N.A	
...4	C4008	2203-007176	C-CER,CHIP;10000nF,10%,16V,X5R,TP,2012 (	1	S.N.A	
...4	C4026	2203-007176	C-CER,CHIP;10000nF,10%,16V,X5R,TP,2012 (	1	S.N.A	
...4	C4027	2203-007176	C-CER,CHIP;10000nF,10%,16V,X5R,TP,2012 (	1	S.N.A	
...4	C4032	2203-007176	C-CER,CHIP;10000nF,10%,16V,X5R,TP,2012 (	1	S.N.A	
...4	C4034	2203-007176	C-CER,CHIP;10000nF,10%,16V,X5R,TP,2012 (	1	S.N.A	
...4	C4035	2203-007176	C-CER,CHIP;10000nF,10%,16V,X5R,TP,2012 (	1	S.N.A	
...4	C4036	2203-007176	C-CER,CHIP;10000nF,10%,16V,X5R,TP,2012 (	1	S.N.A	
...4	C4037	2203-007176	C-CER,CHIP;10000nF,10%,16V,X5R,TP,2012 (	1	S.N.A	
...4	C4066	2203-007176	C-CER,CHIP;10000nF,10%,16V,X5R,TP,2012 (	1	S.N.A	
...4	C4072	2203-007176	C-CER,CHIP;10000nF,10%,16V,X5R,TP,2012 (	1	S.N.A	
...4	C4102	2203-007176	C-CER,CHIP;10000nF,10%,16V,X5R,TP,2012 (	1	S.N.A	
...4	C4110	2203-007176	C-CER,CHIP;10000nF,10%,16V,X5R,TP,2012 (	1	S.N.A	
...4	C4124	2203-007176	C-CER,CHIP;10000nF,10%,16V,X5R,TP,2012 (	1	S.N.A	
...4	C4125	2203-007176	C-CER,CHIP;10000nF,10%,16V,X5R,TP,2012 (	1	S.N.A	
...4	C4130	2203-007176	C-CER,CHIP;10000nF,10%,16V,X5R,TP,2012 (	1	S.N.A	
...4	C4131	2203-007176	C-CER,CHIP;10000nF,10%,16V,X5R,TP,2012 (	1	S.N.A	
...4	C4132	2203-007176	C-CER,CHIP;10000nF,10%,16V,X5R,TP,2012 (	1	S.N.A	
...4	C4148	2203-007176	C-CER,CHIP;10000nF,10%,16V,X5R,TP,2012 (	1	S.N.A	
...4	C4149	2203-007176	C-CER,CHIP;10000nF,10%,16V,X5R,TP,2012 (	1	S.N.A	
...4	C4150	2203-007176	C-CER,CHIP;10000nF,10%,16V,X5R,TP,2012 (	1	S.N.A	
...4	C5019	2203-007176	C-CER,CHIP;10000nF,10%,16V,X5R,TP,2012 (	1	S.N.A	
...4	C5029	2203-007176	C-CER,CHIP;10000nF,10%,16V,X5R,TP,2012 (	1	S.N.A	
...4	C5032	2203-007176	C-CER,CHIP;10000nF,10%,16V,X5R,TP,2012 (	1	S.N.A	
...4	C5038	2203-007176	C-CER,CHIP;10000nF,10%,16V,X5R,TP,2012 (	1	S.N.A	
...4	C5040_SLIM	2203-007176	C-CER,CHIP;10000nF,10%,16V,X5R,TP,2012 (	1	S.N.A	
...4	C5101	2203-007176	C-CER,CHIP;10000nF,10%,16V,X5R,TP,2012 (	1	S.N.A	
...4	C5103	2203-007176	C-CER,CHIP;10000nF,10%,16V,X5R,TP,2012 (	1	S.N.A	
...4	C5104	2203-007176	C-CER,CHIP;10000nF,10%,16V,X5R,TP,2012 (	1	S.N.A	
...4	C5105	2203-007176	C-CER,CHIP;10000nF,10%,16V,X5R,TP,2012 (	1	S.N.A	
...4	C5106	2203-007176	C-CER,CHIP;10000nF,10%,16V,X5R,TP,2012 (	1	S.N.A	
...4	C5107	2203-007176	C-CER,CHIP;10000nF,10%,16V,X5R,TP,2012 (	1	S.N.A	
...4	C5108	2203-007176	C-CER,CHIP;10000nF,10%,16V,X5R,TP,2012 (	1	S.N.A	
...4	C5109	2203-007176	C-CER,CHIP;10000nF,10%,16V,X5R,TP,2012 (	1	S.N.A	
...4	C6001	2203-007176	C-CER,CHIP;10000nF,10%,16V,X5R,TP,2012 (	1	S.N.A	
...4	C6002	2203-007176	C-CER,CHIP;10000nF,10%,16V,X5R,TP,2012 (	1	S.N.A	



## 5. Exploded View &amp; Part List

Level	Location No.	Code No.	Description & Specification	Q'ty	SA/SNA	Remark
...4	C6003	2203-007176	C-CER,CHIP;10000nF,10%,16V,X5R,TP,2012 (	1	S.N.A	
...4	C7030	2203-007176	C-CER,CHIP;10000nF,10%,16V,X5R,TP,2012 (	1	S.N.A	
...4	C7066	2203-007176	C-CER,CHIP;10000nF,10%,16V,X5R,TP,2012 (	1	S.N.A	
...4	C7141	2203-007176	C-CER,CHIP;10000nF,10%,16V,X5R,TP,2012 (	1	S.N.A	
...4	C7186	2203-007176	C-CER,CHIP;10000nF,10%,16V,X5R,TP,2012 (	1	S.N.A	
...4	C7207	2203-007176	C-CER,CHIP;10000nF,10%,16V,X5R,TP,2012 (	1	S.N.A	
...4	C7208	2203-007176	C-CER,CHIP;10000nF,10%,16V,X5R,TP,2012 (	1	S.N.A	
...4	C7217	2203-007176	C-CER,CHIP;10000nF,10%,16V,X5R,TP,2012 (	1	S.N.A	
...4	C7219	2203-007176	C-CER,CHIP;10000nF,10%,16V,X5R,TP,2012 (	1	S.N.A	
...4	C7221	2203-007176	C-CER,CHIP;10000nF,10%,16V,X5R,TP,2012 (	1	S.N.A	
...4	C7257	2203-007176	C-CER,CHIP;10000nF,10%,16V,X5R,TP,2012 (	1	S.N.A	
...4	C7258	2203-007176	C-CER,CHIP;10000nF,10%,16V,X5R,TP,2012 (	1	S.N.A	
...4	C7259	2203-007176	C-CER,CHIP;10000nF,10%,16V,X5R,TP,2012 (	1	S.N.A	
...4	C7260	2203-007176	C-CER,CHIP;10000nF,10%,16V,X5R,TP,2012 (	1	S.N.A	
...4	C7261	2203-007176	C-CER,CHIP;10000nF,10%,16V,X5R,TP,2012 (	1	S.N.A	
...4	C7262	2203-007176	C-CER,CHIP;10000nF,10%,16V,X5R,TP,2012 (	1	S.N.A	
...4	C7263	2203-007176	C-CER,CHIP;10000nF,10%,16V,X5R,TP,2012 (	1	S.N.A	
...4	C7264	2203-007176	C-CER,CHIP;10000nF,10%,16V,X5R,TP,2012 (	1	S.N.A	
...4	C7266	2203-007176	C-CER,CHIP;10000nF,10%,16V,X5R,TP,2012 (	1	S.N.A	
...4	C7267	2203-007176	C-CER,CHIP;10000nF,10%,16V,X5R,TP,2012 (	1	S.N.A	
...4	C7268	2203-007176	C-CER,CHIP;10000nF,10%,16V,X5R,TP,2012 (	1	S.N.A	
...4	C7269	2203-007176	C-CER,CHIP;10000nF,10%,16V,X5R,TP,2012 (	1	S.N.A	
...4	C7270	2203-007176	C-CER,CHIP;10000nF,10%,16V,X5R,TP,2012 (	1	S.N.A	
...4	C7271	2203-007176	C-CER,CHIP;10000nF,10%,16V,X5R,TP,2012 (	1	S.N.A	
...4	C7272	2203-007176	C-CER,CHIP;10000nF,10%,16V,X5R,TP,2012 (	1	S.N.A	
...4	C7276	2203-007176	C-CER,CHIP;10000nF,10%,16V,X5R,TP,2012 (	1	S.N.A	
...4	C7277	2203-007176	C-CER,CHIP;10000nF,10%,16V,X5R,TP,2012 (	1	S.N.A	
...4	C9001	2203-007176	C-CER,CHIP;10000nF,10%,16V,X5R,TP,2012 (	1	S.N.A	
...4	C9003	2203-007176	C-CER,CHIP;10000nF,10%,16V,X5R,TP,2012 (	1	S.N.A	
...4	C9006	2203-007176	C-CER,CHIP;10000nF,10%,16V,X5R,TP,2012 (	1	S.N.A	
...4	C9019	2203-007176	C-CER,CHIP;10000nF,10%,16V,X5R,TP,2012 (	1	S.N.A	
...4	C9025	2203-007176	C-CER,CHIP;10000nF,10%,16V,X5R,TP,2012 (	1	S.N.A	
...4	C9035	2203-007176	C-CER,CHIP;10000nF,10%,16V,X5R,TP,2012 (	1	S.N.A	
...4	C6030	2402-001128	C-AL,SMD;100##F,20%,16V,-,TP,6.3X5.7mm	1	S.A	
...4	C6031	2402-001128	C-AL,SMD;100##F,20%,16V,-,TP,6.3X5.7mm	1	S.A	
...4	C1001_NACH	2402-001210	C-POLYMER AL CHIP;100uF,20%,10V,WT,TP,7.	1	S.A	
...4	C2037	2402-001210	C-POLYMER AL CHIP;100uF,20%,10V,WT,TP,7.	1	S.A	
...4	C2038	2402-001210	C-POLYMER AL CHIP;100uF,20%,10V,WT,TP,7.	1	S.A	
...4	C4152	2402-001210	C-POLYMER AL CHIP;100uF,20%,10V,WT,TP,7.	1	S.A	
...4	C5016	2402-001210	C-POLYMER AL CHIP;100uF,20%,10V,WT,TP,7.	1	S.A	
...4	C7025	2402-001210	C-POLYMER AL CHIP;100uF,20%,10V,WT,TP,7.	1	S.A	
...4	C7055	2402-001210	C-POLYMER AL CHIP;100uF,20%,10V,WT,TP,7.	1	S.A	
...4	C7154	2402-001210	C-POLYMER AL CHIP;100uF,20%,10V,WT,TP,7.	1	S.A	
...4	C7168	2402-001210	C-POLYMER AL CHIP;100uF,20%,10V,WT,TP,7.	1	S.A	
...4	C7273	2402-001210	C-POLYMER AL CHIP;100uF,20%,10V,WT,TP,7.	1	S.A	
...4	C2064	2402-001323	C-AL,SMD;100uF,20%,25V,LZ,TP,6.3x8mm	1	S.A	
...4	C7216	2409-001114	C-POLYMER ,CHIP;220UF,20%,10V,LR,TP,7343	1	S.A	
...4	C9031	2409-001126	C-POLYMER ,CHIP;4.7uF,20%,6.3V,WT,REEL,1	1	S.A	
...4	T9001	2601-001056	TRANS-SMD,PULSE;350UH,-,1:1,1:1,12.7X6.7	1	S.A	
...4	T0052	2703-000398	INDUCTOR-SMD;10uH,10%,3225	1	S.A	
...4	T0052	2703-000398	INDUCTOR-SMD;10uH,10%,3225	1	S.A	





5. Exploded View & Part List

Level	Location No.	Code No.	Description & Specification	Q'ty	SA/SNA	Remark
...4	T0568	3301-001569	BEAD-SMD;600ohm,2012,1000mA,TP,520ohm/90	1	S.N.A	
...4	T0568	3301-001569	BEAD-SMD;600ohm,2012,1000mA,TP,520ohm/90	1	S.N.A	
...4	T0568	3301-001569	BEAD-SMD;600ohm,2012,1000mA,TP,520ohm/90	1	S.N.A	
...4	T0568	3301-001569	BEAD-SMD;600ohm,2012,1000mA,TP,520ohm/90	1	S.N.A	
...4	T0568	3301-001569	BEAD-SMD;600ohm,2012,1000mA,TP,520ohm/90	1	S.N.A	
...4	T0568	3301-001569	BEAD-SMD;600ohm,2012,1000mA,TP,520ohm/90	1	S.N.A	
...4	T0568	3301-001569	BEAD-SMD;600ohm,2012,1000mA,TP,520ohm/90	1	S.N.A	
...4	T0568	3301-001569	BEAD-SMD;600ohm,2012,1000mA,TP,520ohm/90	1	S.N.A	
...4	T0568	3301-001569	BEAD-SMD;600ohm,2012,1000mA,TP,520ohm/90	1	S.N.A	
...4	T0568	3301-001569	BEAD-SMD;600ohm,2012,1000mA,TP,520ohm/90	1	S.N.A	
...4	T0568	3301-001569	BEAD-SMD;600ohm,2012,1000mA,TP,520ohm/90	1	S.N.A	
...4	T0568	3301-001569	BEAD-SMD;600ohm,2012,1000mA,TP,520ohm/90	1	S.N.A	
...4	T0568	3301-001569	BEAD-SMD;600ohm,2012,1000mA,TP,520ohm/90	1	S.N.A	
...4	T0568	3301-001569	BEAD-SMD;600ohm,2012,1000mA,TP,520ohm/90	1	S.N.A	
...4	JA3003	3701-001367	CONNECTOR-HDMI;19P,2R,FEMALE,SMD,AU	1	S.A	
...4	JA3004_4HD	3701-001367	CONNECTOR-HDMI;19P,2R,FEMALE,SMD,AU	1	S.A	
...4	JA3005	3701-001367	CONNECTOR-HDMI;19P,2R,FEMALE,SMD,AU	1	S.A	
...4	CN330	3711-005292	HEADER-BOARD TO CABLE;BOX,3P,1R,2MM,SMD-	1	S.A	
...4	CN330	3711-005292	HEADER-BOARD TO CABLE;BOX,3P,1R,2MM,SMD-	1	S.A	
...4	CN330	3711-005292	HEADER-BOARD TO CABLE;BOX,3P,1R,2MM,SMD-	1	S.A	
...4	CN330	3711-005925	HEADER-BOARD TO CABLE;BOX,51P,1R,0.5mm,S	1	S.A	
...4	CN330	3711-006374	HEADER-BOARD TO CABLE;BOX,41P,2R,1.25mm,	1	S.A	
...4	T0077	BN41-01063A	PCB MAIN;L850 iDTV Normal,FR-4,6,1.6T,24	1	S.N.A	
...4	M0018	BN97-02520A	ASSY MICOM;N/A,N59C,2008.06.05,T-RBYDEUS	1	S.N.A	
....5	IC520	0903-001552	IC-MICROCONTROLLER;WT61P8-RG480WT,LQFP,4	1	S.A	
...4	M0018	BN97-02520B	ASSY MICOM;0xF20A,N59C,2008.05.21,T-RBYD	1	S.N.A	
....5	IC7013	1107-001740	IC-NAND FLASH;KFH8GH6U4M-DIB6,8Gbit,512M	1	S.A	
...4	M0018	BN97-02588A	ASSY MICOM;T-RBYDEUM,N59C,2008.06.03,N/A	1	S.N.A	
....5	IC115	1107-001415	IC-FLASH MEMORY;29W320D,4Mx8/2Mx16Bit,TS	1	S.N.A	
...3	T0066	BN62-00040A	HEAT SINK-ES;SAPPHIRE,T2.0,36*36*6.6,BLK	1	S.N.A	
...3	T0603	BN63-05040A	SHIELD-PCB MAIN;L850,EO,MAIN,SPT,TO.3	1	S.N.A	
0.1		BN91-02756A	ASSY LCD-AMLCD;LE40A856S1MXXC	1	S.N.A	
..2	M0215	BN07-00561A	LCD-PANEL;LTF400HC02	1	S.A	
0.1	M0019	BN92-03727A	ASSY LABEL;LE40A856S1FXXC	1	S.N.A	
					S.A	
0.1	M0003	BN92-03728A	ASSY BOX;40L850,EO	1	S.N.A	
..2	M0521	BN69-02881A	BOX-SET,IN;40L850,CB,C-01,DY-01,YEL,W126	1	S.N.A	
..2		BN69-02882A	BOX-SET,OUT;40L850,CB,C-01,DW-80,YEL,W10	1	S.N.A	
0.1	M0113	BN92-03730A	ASSY P/MATERIAL;40L850,W/W	1	S.N.A	
..2	T0003	6902-000604	BAG WRAPPING;LDPE,TO.02,W500,L10000,TRP,	7.5	S.N.A	
..2	T0524	6902-000739	BAG PE;HDPE/HDPE/NITRON,TO.015/TO.015/T1	1	S.N.A	
..2		6922-000003	BAND PP;PP,TO.8,W18,L1650M,TRP,DA69-9014	4.6	S.N.A	
..2	T0214	AA61-20285A	HOLDER-BOX;CTV,PP,NTR,HB	2	S.A	
..2	T0214	BN74-00008A	TAPE-OPP MASKING;OPP-2,TO.05,W100,L800M,	1.2	S.N.A	
0.1	M0045	BN92-03733A	ASSY ACCESSORY;LE40A856S1FXXC	1	S.N.A	
..2	M0045	BN96-08580A	ASSY ACCESSORY-MANUAL;LE40A856S1FXXC	1	S.A	
...3	T0524	6902-000110	BAG PE;LDPE,TO.05,W250,L400,TRP,28,2,-,9	1	S.N.A	

## 5. Exploded View &amp; Part List

Level	Location No.	Code No.	Description & Specification	Q'ty	SA/SNA	Remark
...3		AA68-03242P	MANUAL FLYER-01,,SAFETY GUIDE;comm,Samsu	1	S.N.A	
...3	T0175	BN68-00514E	MANUAL FLYER-01,WARRANTY CARD;comm,Samsu	1	S.N.A	
...3	T0511	BN68-01701A	MANUAL USERS;COMM,SAMSUNG,8Language,W.EU	1	S.N.A	
..2	M0045	BN96-08580B	ASSY ACCESSORY-CABEL;LE40A856S1FXXC	1	S.A	
...3	T0268	3903-000145	CBF-POWER CORD;DT,EU,FP3/YES,U(IEC C13-R	1	S.A	
...3	T0686	4301-001076	BATTERY-LI;3V,620mAH,COIN,5x24.5 pi	1	S.A	
...3	T0524	6902-000110	BAG PE;LDPE,T0.05,W250,L400,TRP,28,2,-,9	1	S.N.A	
...3	T0074	BN59-00702A	REMOCON;TM-98C,50,IDTV_READY_950	1	S.A	
...3	T0074	BN59-00788B	REMOCON;TM94,5,KOREA	1	S.A	
...3		BN63-01798B	CLOTH-CLEAN;cloth,180,200,sea blue,ToC	1	S.N.A	
...3	T0531	BN63-04822B	COVER-BOTTOM;40,46,52L850,HIPS,-,-,-,V0,	1	S.N.A	
...4		BN81-00199H	RESIN;HIPS HB,BK500,HF-1690H,K2901	0.051	S.N.A	

**5-5. LE46A856S Parts List**

Level	Location No.	Code No.	Description & Specification	Q'ty	SA/SNA	Remark
		LE46A856S1MXXQ	LE46A856S1M,N59E/46AS1-GPH,46,LCD-TV,SPA			
0.1	M0001	BN90-01765B	ASSY COVER FRONT;46L850,EO(iDTV),,,	1	S.N.A	
..2	T0003	BN96-08561B	ASSY COVER P-FRONT;46L850,EO(iDTV),PC(CL	1	S.A	
...3	M0081	6003-001188	SCREW-TAPTITE;BH,+,-,B,M4,L10,ZPC(WHT),S	4	S.A	
...3	M0081	6003-001188	SCREW-TAPTITE;BH,+,-,B,M4,L10,ZPC(WHT),S	1	S.A	
...3	M0081	6003-001188	SCREW-TAPTITE;BH,+,-,B,M4,L10,ZPC(WHT),S	2	S.A	
...3	M0081	6003-001188	SCREW-TAPTITE;BH,+,-,B,M4,L10,ZPC(WHT),S	1	S.A	
...3	T0069	AA63-60001S	SPACER-FELT;-FELT,-,-,BLK,T0.5,-,15X1	1	S.N.A	
...3	T0069	BN60-00027H	SPACER-FELT;L650-46,FELT,1020,0.5,20	2	S.N.A	
...3	CCM1	BN63-02183F	COVER-SHEET;Rhcm,PE Vinyl,T0.05,900mm,20	0.898	S.N.A	
...3	M0112	BN63-04823B	COVER-FRONT;46L850,EO(iDTV),PC(CLEAR)+PC	1	S.N.A	
....4		BN81-00116D	RESIN-TOC;PC V0,TTP01,CLR,TN-1030(NP),TH	0.957	S.N.A	
....4		BN81-00116U	RESIN-TOC;PC V1, TRD03,Light Rose Black,	724.9	S.N.A	
...3		BN64-00946A	INDICATOR-LED LIGHTING;L850,PC CLR	1	S.N.A	
...3	M0125	BN96-07702C	ASSY BOARD P-FUNCTION LED&IR&H;LN46A750R	1	S.A	
...3	M0175	BN96-08124A	ASSY BOARD P-TOUCH FUNCTION;LN46A750R1,C	1	S.A	
...3		BN96-08563B	ASSY HOLDER P-BOSS TOP;46L850,HIPS,HB,BK	1	S.N.A	
....4		BN61-03261F	BOSS-TAPE;Amber,ACRYL,T1.1,W8mm,GRAY,TAP	0.752	S.N.A	
....4		BN61-04385B	HOLDER-BOSS TOP;46L850,HIPS,HB,BK500	1	S.N.A	
....5		BN81-00199H	RESIN;HIPS HB,BK500,HF-1690H,K2901	0.205	S.N.A	
...3		BN96-08564B	ASSY HOLDER P-BOSS SIDE;46L850,HIPS,HB,B	2	S.N.A	
....4		BN61-03261F	BOSS-TAPE;Amber,ACRYL,T1.1,W8mm,GRAY,TAP	0.635	S.N.A	
....4		BN61-04384B	HOLDER-BOSS SIDE;46L850,HIPS,HB,BK500	1	S.N.A	
....5		BN81-00199H	RESIN;HIPS HB,BK500,HF-1690H,K2901	0.1	S.N.A	
...3		BN96-08565B	ASSY HOLDER P-BOSS BOTTOM;46L850,HIPS,HB	1	S.N.A	
....4		BN61-03261A	BOSS-TAPE;Tulip,ACRYL,T1.1,W12mm,GRAY,TA	0.834	S.N.A	
....4		BN61-03261C	BOSS-TAPE;Tulip,ACRYL,T1.1,W24mm,GRAY,TA	0.062	S.N.A	
....4		BN61-04386B	HOLDER-BOSS BOTTOM;46L850,HIPS,HB,BK500	1	S.N.A	
....5		BN81-00199H	RESIN;HIPS HB,BK500,HF-1690H,K2901	357.5	S.N.A	
...3	T0069	BP60-00015L	SPACER-FELT;56K7,FELT,L610,BLK,T0.5,W20	2	S.N.A	
0.1	M0216	BN90-01767A	ASSY STAND;52L850,,,,	1	S.N.A	
..2	T0081	6002-001294	SCREW-TAPPING;BH,+,,M4,L16,ZPC(BLK)	5	S.A	
..2	M0027	BN96-07302A	ASSY STAND P-BASE;46L850,GLASS	1	S.A	
...3	T0081	6002-001294	SCREW-TAPPING;BH,+,,M4,L16,ZPC(BLK)	4	S.A	
...3	T0081	6002-001294	SCREW-TAPPING;BH,+,,M4,L16,ZPC(BLK)	4	S.A	
...3		BN61-02533A	HOLDER-SWIVEL RING;46M7 EO,ACETAL,NATUAL	1	S.N.A	
...3		BN61-04374A	BRACKET-STAND BASE;40,46,52L850,SECC,T2.	1	S.N.A	
...3	T0920	BN61-04379A	GUIDE-STAND;L850,PC+GF 20%,BLK	1	S.N.A	
....4		BN81-00204H	RESIN;Trirex,3025G20 BK,ABS+PC G/F 20%,4	463.1	S.N.A	
...3		BN61-04428B	BOSS-TAPE;ACRYL,T0.4,W20.0mm,WHITE	0.32	S.N.A	
...3		BN61-04437A	BRACKET-STAND SUB;40,46,52L850,SECC,T3.0	1	S.N.A	
...3		BN61-04438A	BRACKET-HINGE SWIVEL;40,46,52L850,SECC,T	1	S.N.A	
...3		BN61-04439A	HOLDER-SWIVEL RING;40,46,52L850,ACETAL	1	S.N.A	
...3		BN63-04825A	COVER-STAND NECK;L850,HIPS,HB,BK500,SE-1	1	S.N.A	
....4		BN81-00199H	RESIN;HIPS HB,BK500,HF-1690H,K2901	0.05	S.N.A	
...3		BN63-04883A	COVER-STAND SUB;L850,ABS+PMMA,HB,RD02,GL	1	S.N.A	
....4		BN81-01328A	RESIN;STAREX,SF0505,(40297),RD02,ABS+PMM	0.3	S.N.A	



## 5. Exploded View &amp; Part List

Level	Location No.	Code No.	Description & Specification	Q'ty	SA/SNA	Remark
...3	T0132	BN73-00181A	RUBBER FOOT;RUBY,CR Rubber,PI 25,T3.5,BL	4	S.N.A	
...3	M0003	BN96-08793A	ASSY COVER P-STAND GLASS;46,L850,TEMPERE	1	S.A	
...4	CCM1	BN63-02183F	COVER-SHEET;Rhcm,PE Vinyl,T0.05,900mm,20	0.45	S.N.A	
...4		BN63-04817A	COVER-STAND GLASS;46L850,GLASS,T8.0	1	S.N.A	
...3	CIS4	BP73-00001A	RUBBER-SHEET;42W5,NBB RUBBER,GRAY,10*20	2	S.N.A	
0.1	M0002	BN90-01773A	ASSY COVER REAR;46L850,EO(iDTV),,,	1	S.N.A	
..2	T0081	6002-001294	SCREW-TAPPING;BH,+,,M4,L16,ZPC(BLK)	14	S.A	
..2	T0081	6002-001294	SCREW-TAPPING;BH,+,,M4,L16,ZPC(BLK)	1	S.A	
..2	C/R+H/WALL	6011-001610	BOLT-ETC;M8,L18,ZPC(BLK),SWRCH18A,WSP,PH	4	S.N.A	
..2	M0013	BN96-08577A	ASSY COVER P-REAR;46L850,EO(iDTV),PC+ABS	1	S.A	
...3	CCM1	BN63-02183E	COVER-SHEET;Rhcm,PE Vinyl,T0.05,750mm,20	2.4	S.N.A	
...3	M0006	BN63-04815A	COVER-REAR;46L850,EO(iDTV),PC+ABS,V0,BK2	1	S.N.A	
...4		BN81-00204P	RESIN-HIGH GLOSS;SF-0505,K21294,ABS HB P	3.883	S.N.A	
...3	T0071	BN64-00944A	INLAY-TERMINAL;L850,PS SHEET,T0.3,-,-,H/	1	S.N.A	
...3	T0064	BN65-00002A	CLAMPER CORE;BORDEAUX,LDPE,-,-,BLK,-	1	S.N.A	
0.1	M0112	BN91-02595A	ASSY SHIELD;LE46A856S1FXXC	1	S.N.A	
..2	M0081	6003-000115	SCREW-TAPTITE;BH,+ ,B,M3,L6,ZPC(BLK),SWRC	6	S.A	
..2	M0081	6003-000269	SCREW-TAPTITE;BH,+,-,S,M3,L6,ZPC(WHT),SW	4	S.N.A	
..2	M0081	6003-000269	SCREW-TAPTITE;BH,+,-,S,M3,L6,ZPC(WHT),SW	6	S.N.A	
..2	M0081	6003-000337	SCREW-TAPTITE;BH,+ ,S,M4,L10,ZPC(BLK),SWR	6	S.A	
..2	M0081	6003-000337	SCREW-TAPTITE;BH,+ ,S,M4,L10,ZPC(BLK),SWR	2	S.A	
..2	M0081	6003-000337	SCREW-TAPTITE;BH,+ ,S,M4,L10,ZPC(BLK),SWR	2	S.A	
..2	M0081	6003-000337	SCREW-TAPTITE;BH,+ ,S,M4,L10,ZPC(BLK),SWR	2	S.A	
..2	M0081	6003-000337	SCREW-TAPTITE;BH,+ ,S,M4,L10,ZPC(BLK),SWR	8	S.A	
..2	M0081	6003-001188	SCREW-TAPTITE;BH,+,-,B,M4,L10,ZPC(WHT),S	6	S.A	
..2	M0081	6003-001188	SCREW-TAPTITE;BH,+,-,B,M4,L10,ZPC(WHT),S	1	S.A	
..2	M0081	6003-001188	SCREW-TAPTITE;BH,+,-,B,M4,L10,ZPC(WHT),S	2	S.A	
..2	M0081	6003-001188	SCREW-TAPTITE;BH,+,-,B,M4,L10,ZPC(WHT),S	2	S.A	
..2	M0081	6003-001188	SCREW-TAPTITE;BH,+,-,B,M4,L10,ZPC(WHT),S	4	S.A	
..2	M0081	6003-001439	SCREW-TAPTITE;BH,+,-,S,M4,L8,ZPC(WHT),SW	1	S.N.A	
..2	T0562	6046-001015	STAND OFF;#4-40,L5,Ni PLT,C3601,M3	2	S.N.A	
..2	M2893	BN39-01114A	LEAD CONNECTOR;LN46A850S1FXZA,UL20276#30	1	S.A	
..2	M2893	BN39-01118A	LEAD CONNECTOR;LN46A850S1FXZA,UL2464#26,	1	S.A	
..2	M2893	BN39-01118B	LEAD CONNECTOR;LN46A850S1FXZA,UL2464#26,	1	S.A	
..2	T0764	BN44-00242A	SMPS-LCDTV;SC4614,SC4614,AC/DC,233W,AC10	1	S.A	
..2	M0125	BN61-04116A	HOLDER-WALL;L650- SLIM,46,HIPS,HB,BK500	4	S.N.A	
...3		BN61-02932D	BRACKET-STOPPER NUT;L670_SLIM,M8,D10,L18	1	S.N.A	
...3		BN81-00199H	RESIN;HIPS HB,BK500,HF-1690H,K2901	0.023	S.N.A	
..2		BN61-04118A	BRACKET-GUIDE MAIN L;L650- SLIM,52,SECC,	1	S.N.A	
..2		BN61-04120A	BRACKET-PANEL BOTTOM;L650- SLIM,52,SECC,	1	S.N.A	
..2	M0146	BN61-04370A	BRACKET-PANEL SIDE;L850,SECC,T1.2	4	S.N.A	
..2	M0115	BN61-04375A	BRACKET-STAND LINK;46/52L850,SECC,T1.6	1	S.N.A	
..2		BN61-04376A	BRACKET-GUIDE MAIN R;L850,SECC,T1.2	1	S.N.A	
..2	M0254	BN61-04381B	HOLDER-SIDE AV;L850,EO,ABS+PMMA,HB,BK23,	1	S.N.A	
...3		BN81-00204P	RESIN-HIGH GLOSS;SF-0505,K21294,ABS HB P	0.017	S.N.A	
..2	M0107	BN63-04887A	SHIELD-COVER;L850,PCM,T0.5	1	S.N.A	
..2	T0175	BN96-08430A	ASSY SPEAKER P;8ohm,4pin,L850,10W	1	S.A	
..2	M0125	BN96-08481B	ASSY INLET P;LN46A850S1FXZA,450mm,AC110V	1	S.A	
..2	T0136	BN31-00019F	FAN;RUBY2,PBTP	1	S.A	

5. Exploded View & Part List

Level	Location No.	Code No.	Description & Specification	Q'ty	SA/SNA	Remark
.2	T0136	BN31-00019G	FAN;LN40A850S1FXZA,PBTP	1	S.A	
.2	M0250	BN96-08479G	ASSY CABLE P-FFC LVDS;LE55A956D1F,FFC,11	1	S.A	
0.1		BN91-02602A	ASSY LCD-AMLCD;LN46A850S1FXZA	1	S.N.A	
.2	M0215	BN07-00562A	LCD-PANEL;LTF460HE05	1	S.A	
0.1	M0017	BN91-02603B	ASSY CHASSIS;LE46A856S1FXXC	1	S.N.A	
.2	M0014	BN94-02102B	ASSY PCB MAIN;LE46A856S1FXXC	1	S.A	
...3	T0245	0202-001608	SOLDER-WIRE FLUX;LFC7-107,D0.8,99.3Sn/0.	1	S.N.A	
...3	CN3013_NSI	3701-001388	CONNECTOR-HDMI;20P,Phosphor Bronze,ANGLE	1	S.A	
...3	CN3018	3701-001510	CONNECTOR-DSUB;15P,3R,FEMALE,STAMPED PIN	1	S.A	
...3	CN906	3707-001081	CONNECTOR-OPTICAL;STRAIGHT,SPDIF	1	S.A	
...3	JA1201	3709-001508	CONNECTOR-CARD SLOT;68P,1.27mm,PIN,PCMCIA	1	S.A	
...3	CN330	3711-000058	HEADER-BOARD TO CABLE;BOX,4P,1R,2.5MM,AN	1	S.A	
...3	CN330	3711-000754	HEADER-BOARD TO CABLE;BOX,20P,2R,2.54mm,	1	S.A	
...3	CN330	3711-003848	HEADER-BOARD TO CABLE;BOX,11P,1R,2mm,ANG	1	S.A	
...3	CN1001	3711-005884	HEADER-BOARD TO BOARD;BOX,30P,2R,2mm,ANG	1	S.A	
...3	JA330	3722-001055	JACK-PHONE;5P/2C,AG,BLK,ANGLE	1	S.A	
...3	JA332	3722-001734	JACK-VHS;4P,SN,BLK,STRAIGHT	1	S.A	
...3	CN9002_NSI	3722-002546	JACK-USB;4P/1C,AU,BLK,ANGLE,A type	1	S.N.A	
...3	JA333	3722-002728	JACK-PIN;3P, SHIELD,Ni,RED/WHT/YEL,ANGLE	1	S.A	
...3	JA333	3722-002751	JACK-PIN;2P+Shield,Ni,WHT/RED,STRAIGHT	1	S.A	
...3	JA333	3722-002751	JACK-PIN;2P+Shield,Ni,WHT/RED,STRAIGHT	1	S.A	
...3	JA333	3722-002754	JACK-PIN;3P+Shield,Ni,GRN/BLU/RED,STRAIG	1	S.A	
...3	JA9001	3722-002757	JACK-MODULAR;8P/8C,N,STRAIGHT,GRN/YEL,AU	1	S.A	
...3	JA330	3722-002758	JACK-PHONE;1P,BLK,STRAIGHT	1	S.A	
...3	JA330	3722-002758	JACK-PHONE;1P,BLK,STRAIGHT	1	S.A	
...3	CN3001	3722-002778	JACK-SCART;21P,SN,BLK	1	S.A	
...3	CN3002	3722-002778	JACK-SCART;21P,SN,BLK	1	S.A	
...3	CIS3	BN40-00126A	TUNER;DNOS403SH101A(S),DNOS403SH101A(S),	1	S.A	
...3	HDCP	BN97-00688B	ASSY HDCP;MT8202 IC HDCP Key'	1	S.N.A	
...4		BN46-00018A	KEY CODE-CERTIFICATE;(HDCP KEY)PPM42M5S,	1	S.N.A	
...3	T0174	BN97-02514B	ASSY SMD;LE46A856S1FXXC	1	S.N.A	
...4	SUB05	0202-001477	SOLDER-CREAM;LST309-M,-,D20~45um,96.5Sn/	1	S.N.A	
...4	D1004	0401-001056	DIODE-SWITCHING;MMBD4148SE,100V,200mA,SO	1	S.A	
...4	D3009	0401-001056	DIODE-SWITCHING;MMBD4148SE,100V,200mA,SO	1	S.A	
...4	D3010	0401-001056	DIODE-SWITCHING;MMBD4148SE,100V,200mA,SO	1	S.A	
...4	D3011	0401-001056	DIODE-SWITCHING;MMBD4148SE,100V,200mA,SO	1	S.A	
...4	D3019	0401-001056	DIODE-SWITCHING;MMBD4148SE,100V,200mA,SO	1	S.A	
...4	D3020	0401-001056	DIODE-SWITCHING;MMBD4148SE,100V,200mA,SO	1	S.A	
...4	D3021	0401-001056	DIODE-SWITCHING;MMBD4148SE,100V,200mA,SO	1	S.A	
...4	D3023	0401-001056	DIODE-SWITCHING;MMBD4148SE,100V,200mA,SO	1	S.A	
...4	D3024	0401-001056	DIODE-SWITCHING;MMBD4148SE,100V,200mA,SO	1	S.A	
...4	D3026	0401-001056	DIODE-SWITCHING;MMBD4148SE,100V,200mA,SO	1	S.A	
...4	D3032	0401-001056	DIODE-SWITCHING;MMBD4148SE,100V,200mA,SO	1	S.A	
...4	D3044	0401-001056	DIODE-SWITCHING;MMBD4148SE,100V,200mA,SO	1	S.A	
...4	D3050	0401-001056	DIODE-SWITCHING;MMBD4148SE,100V,200mA,SO	1	S.A	
...4	D3051	0401-001056	DIODE-SWITCHING;MMBD4148SE,100V,200mA,SO	1	S.A	
...4	D3052	0401-001056	DIODE-SWITCHING;MMBD4148SE,100V,200mA,SO	1	S.A	
...4	D3057_4HDM	0401-001056	DIODE-SWITCHING;MMBD4148SE,100V,200mA,SO	1	S.A	
...4	D3058_4HDM	0401-001056	DIODE-SWITCHING;MMBD4148SE,100V,200mA,SO	1	S.A	

## 5. Exploded View &amp; Part List

Level	Location No.	Code No.	Description & Specification	Q'ty	SA/SNA	Remark
....4	D3060	0401-001056	DIODE-SWITCHING;MMBD4148SE,100V,200mA,SO	1	S.A	
....4	D3061	0401-001056	DIODE-SWITCHING;MMBD4148SE,100V,200mA,SO	1	S.A	
....4	D4004_CEC	0401-001056	DIODE-SWITCHING;MMBD4148SE,100V,200mA,SO	1	S.A	
....4	D5004	0401-001056	DIODE-SWITCHING;MMBD4148SE,100V,200mA,SO	1	S.A	
....4	D5005	0401-001056	DIODE-SWITCHING;MMBD4148SE,100V,200mA,SO	1	S.A	
....4	D5006	0401-001056	DIODE-SWITCHING;MMBD4148SE,100V,200mA,SO	1	S.A	
....4	D5010	0401-001056	DIODE-SWITCHING;MMBD4148SE,100V,200mA,SO	1	S.A	
....4	D5011	0401-001056	DIODE-SWITCHING;MMBD4148SE,100V,200mA,SO	1	S.A	
....4	D5012	0401-001056	DIODE-SWITCHING;MMBD4148SE,100V,200mA,SO	1	S.A	
....4	D5013	0401-001056	DIODE-SWITCHING;MMBD4148SE,100V,200mA,SO	1	S.A	
....4	D9003	0401-001056	DIODE-SWITCHING;MMBD4148SE,100V,200mA,SO	1	S.A	
....4	D9004	0401-001056	DIODE-SWITCHING;MMBD4148SE,100V,200mA,SO	1	S.A	
....4	D9005	0401-001056	DIODE-SWITCHING;MMBD4148SE,100V,200mA,SO	1	S.A	
....4	D9006	0401-001056	DIODE-SWITCHING;MMBD4148SE,100V,200mA,SO	1	S.A	
....4	D1008	0401-001099	DIODE-SWITCHING;1N4148WS,75V,150mA,SOD-3	1	S.A	
....4	D1213	0401-001099	DIODE-SWITCHING;1N4148WS,75V,150mA,SOD-3	1	S.A	
....4	D2001	0401-001099	DIODE-SWITCHING;1N4148WS,75V,150mA,SOD-3	1	S.A	
....4	D2002	0401-001099	DIODE-SWITCHING;1N4148WS,75V,150mA,SOD-3	1	S.A	
....4	D2003	0401-001099	DIODE-SWITCHING;1N4148WS,75V,150mA,SOD-3	1	S.A	
....4	D3071	0401-001099	DIODE-SWITCHING;1N4148WS,75V,150mA,SOD-3	1	S.A	
....4	D3072	0401-001099	DIODE-SWITCHING;1N4148WS,75V,150mA,SOD-3	1	S.A	
....4	D3073	0401-001099	DIODE-SWITCHING;1N4148WS,75V,150mA,SOD-3	1	S.A	
....4	D3074	0401-001099	DIODE-SWITCHING;1N4148WS,75V,150mA,SOD-3	1	S.A	
....4	D3075	0401-001099	DIODE-SWITCHING;1N4148WS,75V,150mA,SOD-3	1	S.A	
....4	D3076	0401-001099	DIODE-SWITCHING;1N4148WS,75V,150mA,SOD-3	1	S.A	
....4	D3077	0401-001099	DIODE-SWITCHING;1N4148WS,75V,150mA,SOD-3	1	S.A	
....4	D3078	0401-001099	DIODE-SWITCHING;1N4148WS,75V,150mA,SOD-3	1	S.A	
....4	D3079	0401-001099	DIODE-SWITCHING;1N4148WS,75V,150mA,SOD-3	1	S.A	
....4	D7008	0401-001099	DIODE-SWITCHING;1N4148WS,75V,150mA,SOD-3	1	S.A	
....4	D0254	0402-000553	DIODE-SCHOTTKY;SS24/B240,40V,2000mA,DO-2	1	S.A	
....4	D0254	0402-000553	DIODE-SCHOTTKY;SS24/B240,40V,2000mA,DO-2	1	S.A	
....4	D0254	0402-000553	DIODE-SCHOTTKY;SS24/B240,40V,2000mA,DO-2	1	S.A	
....4	D0254	0402-000553	DIODE-SCHOTTKY;SS24/B240,40V,2000mA,DO-2	1	S.A	
....4	D0254	0402-000553	DIODE-SCHOTTKY;SS24/B240,40V,2000mA,DO-2	1	S.A	
....4	D0254	0402-000553	DIODE-SCHOTTKY;SS24/B240,40V,2000mA,DO-2	1	S.A	
....4	D2004	0403-000002	DIODE-ZENER;VLZ5V6B,5.45/5.73V,500mW,SOD	1	S.A	
....4	D3007	0403-000002	DIODE-ZENER;VLZ5V6B,5.45/5.73V,500mW,SOD	1	S.A	
....4	D3017	0403-000002	DIODE-ZENER;VLZ5V6B,5.45/5.73V,500mW,SOD	1	S.A	
....4	D3022	0403-000002	DIODE-ZENER;VLZ5V6B,5.45/5.73V,500mW,SOD	1	S.A	
....4	D3033_NSID	0403-000002	DIODE-ZENER;VLZ5V6B,5.45/5.73V,500mW,SOD	1	S.A	
....4	D3039_NSID	0403-000002	DIODE-ZENER;VLZ5V6B,5.45/5.73V,500mW,SOD	1	S.A	
....4	D3046	0403-000002	DIODE-ZENER;VLZ5V6B,5.45/5.73V,500mW,SOD	1	S.A	
....4	D3047	0403-000002	DIODE-ZENER;VLZ5V6B,5.45/5.73V,500mW,SOD	1	S.A	
....4	D3048	0403-000002	DIODE-ZENER;VLZ5V6B,5.45/5.73V,500mW,SOD	1	S.A	
....4	D3049	0403-000002	DIODE-ZENER;VLZ5V6B,5.45/5.73V,500mW,SOD	1	S.A	
....4	D3053	0403-000002	DIODE-ZENER;VLZ5V6B,5.45/5.73V,500mW,SOD	1	S.A	
....4	D3054	0403-000002	DIODE-ZENER;VLZ5V6B,5.45/5.73V,500mW,SOD	1	S.A	
....4	D4007	0403-000002	DIODE-ZENER;VLZ5V6B,5.45/5.73V,500mW,SOD	1	S.A	
....4	D5009	0403-000258	DIODE-ZENER;BZX84C5V6,5.2-6V,225mW,SOT-2	1	S.A	
....4	D4010	0403-000584	DIODE-ZENER;VLZ3V6B,3.6/3.845V,500mW,SOD	1	S.N.A	
....4	D3043	0403-000771	DIODE-ZENER;VLZ6V2B,5.96-6.27V,500mW,SOD	1	S.A	

5. Exploded View & Part List

Level	Location No.	Code No.	Description & Specification	Q'ty	SA/SNA	Remark
...4	D3055_4HDM	0403-000771	DIODE-ZENER;VLZ6V2B,5.96-6.27V,500mW,SOD	1	S.A	
...4	D3056	0403-000771	DIODE-ZENER;VLZ6V2B,5.96-6.27V,500mW,SOD	1	S.A	
...4	D3059	0403-000771	DIODE-ZENER;VLZ6V2B,5.96-6.27V,500mW,SOD	1	S.A	
...4	D3066_NSID	0403-000771	DIODE-ZENER;VLZ6V2B,5.96-6.27V,500mW,SOD	1	S.A	
...4	D3067	0403-000771	DIODE-ZENER;VLZ6V2B,5.96-6.27V,500mW,SOD	1	S.A	
...4	D3068	0403-000771	DIODE-ZENER;VLZ6V2B,5.96-6.27V,500mW,SOD	1	S.A	
...4	D3069_4HDM	0403-000771	DIODE-ZENER;VLZ6V2B,5.96-6.27V,500mW,SOD	1	S.A	
...4	D3100	0403-000771	DIODE-ZENER;VLZ6V2B,5.96-6.27V,500mW,SOD	1	S.A	
...4	D3101	0403-000771	DIODE-ZENER;VLZ6V2B,5.96-6.27V,500mW,SOD	1	S.A	
...4	D3102	0403-000771	DIODE-ZENER;VLZ6V2B,5.96-6.27V,500mW,SOD	1	S.A	
...4	D3103	0403-000771	DIODE-ZENER;VLZ6V2B,5.96-6.27V,500mW,SOD	1	S.A	
...4	D9002	0403-000771	DIODE-ZENER;VLZ6V2B,5.96-6.27V,500mW,SOD	1	S.A	
...4	D5014	0403-001052	DIODE-ZENER;RD8.2MB,7.7-8.7V,200mW,SOT-2	1	S.A	
...4	D1005	0403-001425	DIODE-ZENER;BZX84C33,31-35V,350mW,SOT-23	1	S.A	
...4	D0254	0404-001271	DIODE-SCHOTTKY;SSA34,40V,3000mA,SMA,TP	1	S.A	
...4	D3001	0406-001172	DIODE-TVS;CDS3C30GTH,48/-/50V,SMD	1	S.A	
...4	D3002	0406-001172	DIODE-TVS;CDS3C30GTH,48/-/50V,SMD	1	S.A	
...4	D3003	0406-001172	DIODE-TVS;CDS3C30GTH,48/-/50V,SMD	1	S.A	
...4	D3004	0406-001172	DIODE-TVS;CDS3C30GTH,48/-/50V,SMD	1	S.A	
...4	D3005	0406-001172	DIODE-TVS;CDS3C30GTH,48/-/50V,SMD	1	S.A	
...4	D3006	0406-001172	DIODE-TVS;CDS3C30GTH,48/-/50V,SMD	1	S.A	
...4	D3008	0406-001172	DIODE-TVS;CDS3C30GTH,48/-/50V,SMD	1	S.A	
...4	D3012	0406-001172	DIODE-TVS;CDS3C30GTH,48/-/50V,SMD	1	S.A	
...4	D3013	0406-001172	DIODE-TVS;CDS3C30GTH,48/-/50V,SMD	1	S.A	
...4	D3014	0406-001172	DIODE-TVS;CDS3C30GTH,48/-/50V,SMD	1	S.A	
...4	D3015	0406-001172	DIODE-TVS;CDS3C30GTH,48/-/50V,SMD	1	S.A	
...4	D3016	0406-001172	DIODE-TVS;CDS3C30GTH,48/-/50V,SMD	1	S.A	
...4	D3018	0406-001172	DIODE-TVS;CDS3C30GTH,48/-/50V,SMD	1	S.A	
...4	D3025	0406-001172	DIODE-TVS;CDS3C30GTH,48/-/50V,SMD	1	S.A	
...4	D3027	0406-001172	DIODE-TVS;CDS3C30GTH,48/-/50V,SMD	1	S.A	
...4	D3028	0406-001172	DIODE-TVS;CDS3C30GTH,48/-/50V,SMD	1	S.A	
...4	D3029	0406-001172	DIODE-TVS;CDS3C30GTH,48/-/50V,SMD	1	S.A	
...4	D3035_NSID	0406-001172	DIODE-TVS;CDS3C30GTH,48/-/50V,SMD	1	S.A	
...4	D3036	0406-001172	DIODE-TVS;CDS3C30GTH,48/-/50V,SMD	1	S.A	
...4	D3037_NSID	0406-001172	DIODE-TVS;CDS3C30GTH,48/-/50V,SMD	1	S.A	
...4	D3038	0406-001172	DIODE-TVS;CDS3C30GTH,48/-/50V,SMD	1	S.A	
...4	D3040_NSID	0406-001172	DIODE-TVS;CDS3C30GTH,48/-/50V,SMD	1	S.A	
...4	D3041_NSID	0406-001172	DIODE-TVS;CDS3C30GTH,48/-/50V,SMD	1	S.A	
...4	D3042_NSID	0406-001172	DIODE-TVS;CDS3C30GTH,48/-/50V,SMD	1	S.A	
...4	D3062	0406-001172	DIODE-TVS;CDS3C30GTH,48/-/50V,SMD	1	S.A	
...4	D3063	0406-001172	DIODE-TVS;CDS3C30GTH,48/-/50V,SMD	1	S.A	
...4	D3064	0406-001172	DIODE-TVS;CDS3C30GTH,48/-/50V,SMD	1	S.A	
...4	D3065	0406-001172	DIODE-TVS;CDS3C30GTH,48/-/50V,SMD	1	S.A	
...4	D9001	0406-001217	DIODE-TVS;NUP4301MR6,6/-/-V,500W,TSOP-6	1	S.A	
...4	IC3011	0406-001299	DIODE-TVS;CM1224-04MR,MSOP-10	1	S.A	
...4	IC3012	0406-001299	DIODE-TVS;CM1224-04MR,MSOP-10	1	S.A	
...4	IC3013	0406-001299	DIODE-TVS;CM1224-04MR,MSOP-10	1	S.A	
...4	IC3014	0406-001299	DIODE-TVS;CM1224-04MR,MSOP-10	1	S.A	
...4	IC3015	0406-001299	DIODE-TVS;CM1224-04MR,MSOP-10	1	S.A	
...4	IC3016	0406-001299	DIODE-TVS;CM1224-04MR,MSOP-10	1	S.A	
...4	IC3017_4HD	0406-001299	DIODE-TVS;CM1224-04MR,MSOP-10	1	S.A	

## 5. Exploded View &amp; Part List

Level	Location No.	Code No.	Description & Specification	Q'ty	SA/SNA	Remark
....4	IC3018_4HD	0406-001299	DIODE-TVS;CM1224-04MR,MSOP-10	1	S.A	
....4	D2005	0407-000123	DIODE-ARRAY;DAN202K,80V,100mA,CA2-3,SOT-	1	S.A	
....4	D2007	0407-000123	DIODE-ARRAY;DAN202K,80V,100mA,CA2-3,SOT-	1	S.A	
....4	D2010	0407-000123	DIODE-ARRAY;DAN202K,80V,100mA,CA2-3,SOT-	1	S.A	
....4	D4003	0407-000123	DIODE-ARRAY;DAN202K,80V,100mA,CA2-3,SOT-	1	S.A	
....4	D4005	0407-000123	DIODE-ARRAY;DAN202K,80V,100mA,CA2-3,SOT-	1	S.A	
....4	D4006	0407-000123	DIODE-ARRAY;DAN202K,80V,100mA,CA2-3,SOT-	1	S.A	
....4	D4008	0407-000123	DIODE-ARRAY;DAN202K,80V,100mA,CA2-3,SOT-	1	S.A	
....4	D4009	0407-000123	DIODE-ARRAY;DAN202K,80V,100mA,CA2-3,SOT-	1	S.A	
....4	D7001	0407-000123	DIODE-ARRAY;DAN202K,80V,100mA,CA2-3,SOT-	1	S.A	
....4	D7002	0407-000123	DIODE-ARRAY;DAN202K,80V,100mA,CA2-3,SOT-	1	S.A	
....4	D7003	0407-000123	DIODE-ARRAY;DAN202K,80V,100mA,CA2-3,SOT-	1	S.A	
....4	D7004	0407-000123	DIODE-ARRAY;DAN202K,80V,100mA,CA2-3,SOT-	1	S.A	
....4	D7005	0407-000123	DIODE-ARRAY;DAN202K,80V,100mA,CA2-3,SOT-	1	S.A	
....4	D7006	0407-000123	DIODE-ARRAY;DAN202K,80V,100mA,CA2-3,SOT-	1	S.A	
....4	Q3010	0501-000434	TR-SMALL SIGNAL;KTC3875S-GR,NPN,150mW,SO	1	S.A	
....4	Q9001	0501-000434	TR-SMALL SIGNAL;KTC3875S-GR,NPN,150mW,SO	1	S.A	
....4	Q9002	0501-000434	TR-SMALL SIGNAL;KTC3875S-GR,NPN,150mW,SO	1	S.A	
....4	Q1003	0501-000445	TR-SMALL SIGNAL;KTC3875S-Y,NPN,150mW,SOT	1	S.A	
....4	Q1005	0501-000445	TR-SMALL SIGNAL;KTC3875S-Y,NPN,150mW,SOT	1	S.A	
....4	Q2002	0501-000445	TR-SMALL SIGNAL;KTC3875S-Y,NPN,150mW,SOT	1	S.A	
....4	Q3001	0501-000445	TR-SMALL SIGNAL;KTC3875S-Y,NPN,150mW,SOT	1	S.A	
....4	Q3008	0501-000445	TR-SMALL SIGNAL;KTC3875S-Y,NPN,150mW,SOT	1	S.A	
....4	Q3009	0501-000445	TR-SMALL SIGNAL;KTC3875S-Y,NPN,150mW,SOT	1	S.A	
....4	Q3011	0501-000445	TR-SMALL SIGNAL;KTC3875S-Y,NPN,150mW,SOT	1	S.A	
....4	Q3012	0501-000445	TR-SMALL SIGNAL;KTC3875S-Y,NPN,150mW,SOT	1	S.A	
....4	Q3013	0501-000445	TR-SMALL SIGNAL;KTC3875S-Y,NPN,150mW,SOT	1	S.A	
....4	Q3016_4HDM	0501-000445	TR-SMALL SIGNAL;KTC3875S-Y,NPN,150mW,SOT	1	S.A	
....4	Q3017	0501-000445	TR-SMALL SIGNAL;KTC3875S-Y,NPN,150mW,SOT	1	S.A	
....4	Q3018	0501-000445	TR-SMALL SIGNAL;KTC3875S-Y,NPN,150mW,SOT	1	S.A	
....4	Q4002	0501-000445	TR-SMALL SIGNAL;KTC3875S-Y,NPN,150mW,SOT	1	S.A	
....4	Q4003	0501-000445	TR-SMALL SIGNAL;KTC3875S-Y,NPN,150mW,SOT	1	S.A	
....4	Q4004	0501-000445	TR-SMALL SIGNAL;KTC3875S-Y,NPN,150mW,SOT	1	S.A	
....4	Q5006	0501-000445	TR-SMALL SIGNAL;KTC3875S-Y,NPN,150mW,SOT	1	S.A	
....4	Q5007	0501-000445	TR-SMALL SIGNAL;KTC3875S-Y,NPN,150mW,SOT	1	S.A	
....4	Q5008	0501-000445	TR-SMALL SIGNAL;KTC3875S-Y,NPN,150mW,SOT	1	S.A	
....4	Q6001	0501-000445	TR-SMALL SIGNAL;KTC3875S-Y,NPN,150mW,SOT	1	S.A	
....4	Q2001	0501-000669	TR-SMALL SIGNAL;KTA1505Y,PNP,150mW,SOT-2	1	S.A	
....4	Q2003	0501-000669	TR-SMALL SIGNAL;KTA1505Y,PNP,150mW,SOT-2	1	S.A	
....4	Q3004	0501-000669	TR-SMALL SIGNAL;KTA1505Y,PNP,150mW,SOT-2	1	S.A	
....4	Q3005	0501-000669	TR-SMALL SIGNAL;KTA1505Y,PNP,150mW,SOT-2	1	S.A	
....4	Q1002	0501-002080	TR-SMALL SIGNAL;2SC2412K,NPN,200mW,SC-59	1	S.A	
....4	Q1007	0501-002080	TR-SMALL SIGNAL;2SC2412K,NPN,200mW,SC-59	1	S.A	
....4	Q1008	0501-002080	TR-SMALL SIGNAL;2SC2412K,NPN,200mW,SC-59	1	S.A	
....4	Q1009	0501-002080	TR-SMALL SIGNAL;2SC2412K,NPN,200mW,SC-59	1	S.A	
....4	Q3002	0501-002080	TR-SMALL SIGNAL;2SC2412K,NPN,200mW,SC-59	1	S.A	
....4	Q3003	0501-002080	TR-SMALL SIGNAL;2SC2412K,NPN,200mW,SC-59	1	S.A	
....4	Q3006	0501-002080	TR-SMALL SIGNAL;2SC2412K,NPN,200mW,SC-59	1	S.A	
....4	Q3007	0501-002080	TR-SMALL SIGNAL;2SC2412K,NPN,200mW,SC-59	1	S.A	
....4	Q3014_NSID	0501-002184	TR-SMALL SIGNAL;KTD1304,NPN,200mW,SOT-23	1	S.A	
....4	Q3015_NSID	0501-002184	TR-SMALL SIGNAL;KTD1304,NPN,200mW,SOT-23	1	S.A	



5. Exploded View & Part List

Level	Location No.	Code No.	Description & Specification	Q'ty	SA/SNA	Remark
....4	Q409	0505-000110	FET-SILICON;2N7002,N,60V,115mA,7.5ohm,0.	1	S.A	
....4	Q409	0505-000110	FET-SILICON;2N7002,N,60V,115mA,7.5ohm,0.	1	S.A	
....4	Q409	0505-000110	FET-SILICON;2N7002,N,60V,115mA,7.5ohm,0.	1	S.A	
....4	Q409	0505-000110	FET-SILICON;2N7002,N,60V,115mA,7.5ohm,0.	1	S.A	
....4	Q409	0505-000110	FET-SILICON;2N7002,N,60V,115mA,7.5ohm,0.	1	S.A	
....4	Q409	0505-000110	FET-SILICON;2N7002,N,60V,115mA,7.5ohm,0.	1	S.A	
....4	Q409	0505-001165	FET-SILICON;SI3443BDV,P,-20V,+-.4.4A,65mo	1	S.A	
....4	Q409	0505-001957	FET-SILICON;NTR2101P,P,-8V,-3.7A,0.052oh	1	S.A	
....4	IC104	0801-002095	IC-CMOS LOGIC;74LCX245,TRANSCEIVER,TSSOP	1	S.A	
....4	IC104	0801-002172	IC-CMOS LOGIC;74LCX16244,BUFFER/LINE DRI	1	S.A	
....4	IC104	0801-002172	IC-CMOS LOGIC;74LCX16244,BUFFER/LINE DRI	1	S.A	
....4	IC104	0801-002237	IC-CMOS LOGIC;74V(A)HC1G04,INVERTER,SC-7	1	S.A	
....4	IC104	0801-002237	IC-CMOS LOGIC;74V(A)HC1G04,INVERTER,SC-7	1	S.A	
....4	IC104	0801-002378	IC-CMOS LOGIC;74VHC04,INVERTER,SOP,14P,8	1	S.A	
....4	IC104	0801-002630	IC-CMOS LOGIC;74AHCT1G08,2-INPUT AND GAT	1	S.A	
....4	IC104	0801-002633	IC-CMOS LOGIC;7WBD3125,2bit BUS SWITCH,S	1	S.A	
....4	IC104	0801-002780	IC-CMOS LOGIC;74LVC1G17,SCHMITT-TRIGGER	1	S.A	
....4	IC520	0903-001552	IC-MICROCONTROLLER;WT61P8-RG480WT,LQFP,4	1	S.A	
....4	T0596	0904-002329	IC-USC;USB2514,QFN,36P,6.55x6.55mm,58.6K	1	S.A	
....4	IC5001	1001-000164	IC-ANALOG MULTIPLEX;74HC4052,CMOS,SOP,16	1	S.A	
....4	IC106	1001-001440	IC-VIDEO SWITCH;SiI9185CTU,QFP,80P,3.3V,	1	S.A	
....4	IC106	1001-001513	IC-VIDEO SWITCH;TMDS351PAG,TQFP,64P,9x9m	1	S.A	
....4	IC3001	1001-001523	IC-ANALOG MULTIPLEX;74HC4052PW,TSSOP,16P	1	S.A	
....4	IC107	1002-001482	IC-D/A CONVERTER;WM8521H9GED/R,16bit,SOI	1	S.A	
....4	IC2002	1002-001509	IC-A/D&D/A CONVERTER;MT8291,24bit,LQFP,4	1	S.A	
....4	IC110	1006-001076	IC-DRIVER/RECEIVER;MAX232ECWE+T,SOP,16P,	1	S.A	
....4	IC112	1103-000129	IC-EEPROM;24C02,2Kbit,256x8Bit,SOP,8P,5x	1	S.A	
....4	IC112	1103-000129	IC-EEPROM;24C02,2Kbit,256x8Bit,SOP,8P,5x	1	S.A	
....4	IC112	1103-000129	IC-EEPROM;24C02,2Kbit,256x8Bit,SOP,8P,5x	1	S.A	
....4	IC112	1103-000129	IC-EEPROM;24C02,2Kbit,256x8Bit,SOP,8P,5x	1	S.A	
....4	IC112	1103-001385	IC-EEPROM;AT24C256,256Kbit,32Kx8,SOP,8P,	1	S.A	
....4	IC112	1103-001410	IC-EEPROM;S-24CS08AFJ-TB-1GE,8Kbit,1Kx8,	1	S.A	
....4	IC113	1105-001712	IC-DRAM;HYB25D256163CE,DDR,256Mbit,16Mx1	1	S.A	
....4	IC113	1105-001712	IC-DRAM;HYB25D256163CE,DDR,256Mbit,16Mx1	1	S.A	
....4	IC113	1105-001823	IC-DRAM;HYB25DC512160,DDR,512Mbit,32Mx16	1	S.N.A	
....4	IC113	1105-001823	IC-DRAM;HYB25DC512160,DDR,512Mbit,32Mx16	1	S.N.A	
....4	IC4002	1105-001862	IC-DDR2 SDRAM;K4T56163QI-ZCF7,DDR2 SDRAM	1	S.A	
....4	IC4003	1105-001862	IC-DDR2 SDRAM;K4T56163QI-ZCF7,DDR2 SDRAM	1	S.A	
....4	IC115	1107-001415	IC-FLASH MEMORY;29W320D,4Mx8/2Mx16Bit,TS	1	S.N.A	
....4	IC7013	1107-001740	IC-NAND FLASH;KFH8GH6U4M-DIB6,8Gbit,512M	1	S.A	
....4	DU410	1201-000166	IC-OP AMP;LM358,SOP,ST,8P,150MIL,DUAL,10	1	S.A	
....4	T0124	1201-002677	IC-POWER AMP;NTP3100,QFN56,56P,8x8mm,DUA	1	S.A	
....4	T0087	1203-001815	IC-POSI.FIXED REG.;78M09,TO-252,3P,-,PLA	1	S.A	
....4	T0087	1203-001815	IC-POSI.FIXED REG.;78M09,TO-252,3P,-,PLA	1	S.A	
....4	T0087	1203-002842	IC-POSI.FIXED REG.;AP1117D-33A,TO-252,3P	1	S.A	
....4	IC012	1203-002995	IC-POSI.ADJUST REG.;AP1117D-A,TO-252,3P,	1	S.A	
....4	IC012	1203-002995	IC-POSI.ADJUST REG.;AP1117D-A,TO-252,3P,	1	S.A	
....4	IC012	1203-002995	IC-POSI.ADJUST REG.;AP1117D-A,TO-252,3P,	1	S.A	
....4	IC012	1203-003038	IC-POSI.ADJUST REG.;LP2995,SO,8P,4.9x3.9	1	S.A	
....4	IC012	1203-003038	IC-POSI.ADJUST REG.;LP2995,SO,8P,4.9x3.9	1	S.A	



## 5. Exploded View &amp; Part List

Level	Location No.	Code No.	Description & Specification	Q'ty	SA/SNA	Remark
....4	IC7011	1203-003394	IC-POWER SUPERVISOR;MIC2544-1YM,SOP,8P,4	1	S.A	
....4	T0087	1203-003695	IC-POSI.FIXED REG.;NCP1117ST33T3G,SOT-22	1	S.A	
....4	T0087	1203-003696	IC-POSI.FIXED REG.;NCP1117DT18T5G,DPAK,3	1	S.A	
....4	IC4004	1203-004363	IC-VOL. DETECTOR;RT9818C-29PV,SOT-23,3P,	1	S.A	
....4	IC2004	1203-004364	IC-VOL. DETECTOR;RT9818C-42PV,SOT-23,3P,	1	S.A	
....4	T0170	1203-004868	IC-SWITCH VOL. REG.;MP2363,SOIC,8P,4.9x3	1	S.A	
....4	T0170	1203-004868	IC-SWITCH VOL. REG.;MP2363,SOIC,8P,4.9x3	1	S.A	
....4	T0170	1203-004868	IC-SWITCH VOL. REG.;MP2363,SOIC,8P,4.9x3	1	S.A	
....4	T0170	1203-004868	IC-SWITCH VOL. REG.;MP2363,SOIC,8P,4.9x3	1	S.A	
....4	IC118	1204-002779	IC-VIDEO PROCESS;S4LF122X01,PBGA,208P,17	1	S.A	
....4	IC118	1204-002869	IC-VIDEO PROCESS;MT8226FJ,BGA,569P,31x31	1	S.A	
....4	IC7001	1204-002888	IC-DECODER;SAM7103,FPBGA,716P,27x27mm,PL	1	S.A	
....4	IC3019	1205-003201	IC-BUS SWITCH;TC7WB125FK,SSOP,8P,2x2.3mm	1	S.A	
....4	IC4011	1205-003201	IC-BUS SWITCH;TC7WB125FK,SSOP,8P,2x2.3mm	1	S.A	
....4	IC9001	1205-003444	IC-ETHERNET CONTROLLER;LAN8700-AEZG,QFN,	1	S.A	
....4	P803T	1404-001223	THERMISTOR-PTC;45mohm,20,6V,-,40A,4A,TP	1	S.A	
....4	IC3007	1405-001185	VARISTOR;24Vdc,1.6x0.8x0.36mm,TP	1	S.A	
....4	IC3009_4HD	1405-001185	VARISTOR;24Vdc,1.6x0.8x0.36mm,TP	1	S.A	
....4	IC3010	1405-001185	VARISTOR;24Vdc,1.6x0.8x0.36mm,TP	1	S.A	
....4	IC4008	1405-001185	VARISTOR;24Vdc,1.6x0.8x0.36mm,TP	1	S.A	
....4	R3195_4HDM	2007-000033	R-CHIP;0ohm,5%,1/4W,TP,3216	1	S.A	
....4	R3196_4HDM	2007-000033	R-CHIP;0ohm,5%,1/4W,TP,3216	1	S.A	
....4	R3299	2007-000033	R-CHIP;0ohm,5%,1/4W,TP,3216	1	S.A	
....4	R3300	2007-000033	R-CHIP;0ohm,5%,1/4W,TP,3216	1	S.A	
....4	R3311	2007-000033	R-CHIP;0ohm,5%,1/4W,TP,3216	1	S.A	
....4	R3312	2007-000033	R-CHIP;0ohm,5%,1/4W,TP,3216	1	S.A	
....4	R1252	2007-000060	R-CHIP;100Kohm,1%,1/10W,TP,1608	1	S.A	
....4	R1253	2007-000060	R-CHIP;100Kohm,1%,1/10W,TP,1608	1	S.A	
....4	R1035	2007-000067	R-CHIP;15Kohm,1%,1/10W,TP,1608	1	S.A	
....4	R1041	2007-000067	R-CHIP;15Kohm,1%,1/10W,TP,1608	1	S.A	
....4	R1121	2007-000067	R-CHIP;15Kohm,1%,1/10W,TP,1608	1	S.A	
....4	R6025	2007-000123	R-CHIP;1.5Kohm,5%,1/10W,TP,1608	1	S.A	
....4	R7346	2007-000123	R-CHIP;1.5Kohm,5%,1/10W,TP,1608	1	S.A	
....4	R1255	2007-000133	R-CHIP;330Kohm,5%,1/10W,TP,1608	1	S.A	
....4	R5028	2007-000133	R-CHIP;330Kohm,5%,1/10W,TP,1608	1	S.A	
....4	R1005	2007-000138	R-CHIP;100ohm,5%,1/16W,TP,1005	1	S.N.A	
....4	R2002	2007-000138	R-CHIP;100ohm,5%,1/16W,TP,1005	1	S.N.A	
....4	R2003	2007-000138	R-CHIP;100ohm,5%,1/16W,TP,1005	1	S.N.A	
....4	R2004	2007-000138	R-CHIP;100ohm,5%,1/16W,TP,1005	1	S.N.A	
....4	R2005	2007-000138	R-CHIP;100ohm,5%,1/16W,TP,1005	1	S.N.A	
....4	R2013	2007-000138	R-CHIP;100ohm,5%,1/16W,TP,1005	1	S.N.A	
....4	R2014	2007-000138	R-CHIP;100ohm,5%,1/16W,TP,1005	1	S.N.A	
....4	R2015	2007-000138	R-CHIP;100ohm,5%,1/16W,TP,1005	1	S.N.A	
....4	R2041	2007-000138	R-CHIP;100ohm,5%,1/16W,TP,1005	1	S.N.A	
....4	R2042	2007-000138	R-CHIP;100ohm,5%,1/16W,TP,1005	1	S.N.A	
....4	R2043	2007-000138	R-CHIP;100ohm,5%,1/16W,TP,1005	1	S.N.A	
....4	R2044	2007-000138	R-CHIP;100ohm,5%,1/16W,TP,1005	1	S.N.A	
....4	R2047	2007-000138	R-CHIP;100ohm,5%,1/16W,TP,1005	1	S.N.A	
....4	R3009	2007-000138	R-CHIP;100ohm,5%,1/16W,TP,1005	1	S.N.A	
....4	R3010	2007-000138	R-CHIP;100ohm,5%,1/16W,TP,1005	1	S.N.A	
....4	R3025	2007-000138	R-CHIP;100ohm,5%,1/16W,TP,1005	1	S.N.A	

5. Exploded View & Part List

Level	Location No.	Code No.	Description & Specification	Q'ty	SA/SNA	Remark
...4	R3027	2007-000138	R-CHIP;100ohm,5%,1/16W,TP,1005	1	S.N.A	
...4	R3041	2007-000138	R-CHIP;100ohm,5%,1/16W,TP,1005	1	S.N.A	
...4	R3045	2007-000138	R-CHIP;100ohm,5%,1/16W,TP,1005	1	S.N.A	
...4	R3047	2007-000138	R-CHIP;100ohm,5%,1/16W,TP,1005	1	S.N.A	
...4	R3048	2007-000138	R-CHIP;100ohm,5%,1/16W,TP,1005	1	S.N.A	
...4	R3049	2007-000138	R-CHIP;100ohm,5%,1/16W,TP,1005	1	S.N.A	
...4	R3054	2007-000138	R-CHIP;100ohm,5%,1/16W,TP,1005	1	S.N.A	
...4	R3075	2007-000138	R-CHIP;100ohm,5%,1/16W,TP,1005	1	S.N.A	
...4	R3076	2007-000138	R-CHIP;100ohm,5%,1/16W,TP,1005	1	S.N.A	
...4	R3078	2007-000138	R-CHIP;100ohm,5%,1/16W,TP,1005	1	S.N.A	
...4	R3089	2007-000138	R-CHIP;100ohm,5%,1/16W,TP,1005	1	S.N.A	
...4	R3090	2007-000138	R-CHIP;100ohm,5%,1/16W,TP,1005	1	S.N.A	
...4	R3091	2007-000138	R-CHIP;100ohm,5%,1/16W,TP,1005	1	S.N.A	
...4	R3117	2007-000138	R-CHIP;100ohm,5%,1/16W,TP,1005	1	S.N.A	
...4	R3121_NSID	2007-000138	R-CHIP;100ohm,5%,1/16W,TP,1005	1	S.N.A	
...4	R3122_NSID	2007-000138	R-CHIP;100ohm,5%,1/16W,TP,1005	1	S.N.A	
...4	R3127_NSID	2007-000138	R-CHIP;100ohm,5%,1/16W,TP,1005	1	S.N.A	
...4	R3172	2007-000138	R-CHIP;100ohm,5%,1/16W,TP,1005	1	S.N.A	
...4	R3176	2007-000138	R-CHIP;100ohm,5%,1/16W,TP,1005	1	S.N.A	
...4	R3179	2007-000138	R-CHIP;100ohm,5%,1/16W,TP,1005	1	S.N.A	
...4	R3181	2007-000138	R-CHIP;100ohm,5%,1/16W,TP,1005	1	S.N.A	
...4	R3546_FAN	2007-000138	R-CHIP;100ohm,5%,1/16W,TP,1005	1	S.N.A	
...4	R3547_FAN	2007-000138	R-CHIP;100ohm,5%,1/16W,TP,1005	1	S.N.A	
...4	R3548_FAN	2007-000138	R-CHIP;100ohm,5%,1/16W,TP,1005	1	S.N.A	
...4	R3612	2007-000138	R-CHIP;100ohm,5%,1/16W,TP,1005	1	S.N.A	
...4	R4018	2007-000138	R-CHIP;100ohm,5%,1/16W,TP,1005	1	S.N.A	
...4	R4019	2007-000138	R-CHIP;100ohm,5%,1/16W,TP,1005	1	S.N.A	
...4	R4066	2007-000138	R-CHIP;100ohm,5%,1/16W,TP,1005	1	S.N.A	
...4	R4082	2007-000138	R-CHIP;100ohm,5%,1/16W,TP,1005	1	S.N.A	
...4	R4083	2007-000138	R-CHIP;100ohm,5%,1/16W,TP,1005	1	S.N.A	
...4	R4089	2007-000138	R-CHIP;100ohm,5%,1/16W,TP,1005	1	S.N.A	
...4	R4090	2007-000138	R-CHIP;100ohm,5%,1/16W,TP,1005	1	S.N.A	
...4	R4095	2007-000138	R-CHIP;100ohm,5%,1/16W,TP,1005	1	S.N.A	
...4	R4100	2007-000138	R-CHIP;100ohm,5%,1/16W,TP,1005	1	S.N.A	
...4	R4101	2007-000138	R-CHIP;100ohm,5%,1/16W,TP,1005	1	S.N.A	
...4	R4103	2007-000138	R-CHIP;100ohm,5%,1/16W,TP,1005	1	S.N.A	
...4	R4104	2007-000138	R-CHIP;100ohm,5%,1/16W,TP,1005	1	S.N.A	
...4	R4113	2007-000138	R-CHIP;100ohm,5%,1/16W,TP,1005	1	S.N.A	
...4	R4114	2007-000138	R-CHIP;100ohm,5%,1/16W,TP,1005	1	S.N.A	
...4	R4115	2007-000138	R-CHIP;100ohm,5%,1/16W,TP,1005	1	S.N.A	
...4	R4132	2007-000138	R-CHIP;100ohm,5%,1/16W,TP,1005	1	S.N.A	
...4	R4133	2007-000138	R-CHIP;100ohm,5%,1/16W,TP,1005	1	S.N.A	
...4	R4134	2007-000138	R-CHIP;100ohm,5%,1/16W,TP,1005	1	S.N.A	
...4	R4135	2007-000138	R-CHIP;100ohm,5%,1/16W,TP,1005	1	S.N.A	
...4	R4136	2007-000138	R-CHIP;100ohm,5%,1/16W,TP,1005	1	S.N.A	
...4	R4137	2007-000138	R-CHIP;100ohm,5%,1/16W,TP,1005	1	S.N.A	
...4	R4150	2007-000138	R-CHIP;100ohm,5%,1/16W,TP,1005	1	S.N.A	
...4	R4151	2007-000138	R-CHIP;100ohm,5%,1/16W,TP,1005	1	S.N.A	
...4	R4207	2007-000138	R-CHIP;100ohm,5%,1/16W,TP,1005	1	S.N.A	
...4	R4208	2007-000138	R-CHIP;100ohm,5%,1/16W,TP,1005	1	S.N.A	
...4	R5073	2007-000138	R-CHIP;100ohm,5%,1/16W,TP,1005	1	S.N.A	

## 5. Exploded View &amp; Part List

Level	Location No.	Code No.	Description & Specification	Q'ty	SA/SNA	Remark
....4	R5074	2007-000138	R-CHIP;100ohm,5%,1/16W,TP,1005	1	S.N.A	
....4	R5520	2007-000138	R-CHIP;100ohm,5%,1/16W,TP,1005	1	S.N.A	
....4	R6013	2007-000138	R-CHIP;100ohm,5%,1/16W,TP,1005	1	S.N.A	
....4	R6014	2007-000138	R-CHIP;100ohm,5%,1/16W,TP,1005	1	S.N.A	
....4	R6016	2007-000138	R-CHIP;100ohm,5%,1/16W,TP,1005	1	S.N.A	
....4	R6017	2007-000138	R-CHIP;100ohm,5%,1/16W,TP,1005	1	S.N.A	
....4	R6018	2007-000138	R-CHIP;100ohm,5%,1/16W,TP,1005	1	S.N.A	
....4	R6019	2007-000138	R-CHIP;100ohm,5%,1/16W,TP,1005	1	S.N.A	
....4	R6020	2007-000138	R-CHIP;100ohm,5%,1/16W,TP,1005	1	S.N.A	
....4	R6021	2007-000138	R-CHIP;100ohm,5%,1/16W,TP,1005	1	S.N.A	
....4	R6031	2007-000138	R-CHIP;100ohm,5%,1/16W,TP,1005	1	S.N.A	
....4	R6038	2007-000138	R-CHIP;100ohm,5%,1/16W,TP,1005	1	S.N.A	
....4	R6039	2007-000138	R-CHIP;100ohm,5%,1/16W,TP,1005	1	S.N.A	
....4	R6043	2007-000138	R-CHIP;100ohm,5%,1/16W,TP,1005	1	S.N.A	
....4	R6044	2007-000138	R-CHIP;100ohm,5%,1/16W,TP,1005	1	S.N.A	
....4	R6045	2007-000138	R-CHIP;100ohm,5%,1/16W,TP,1005	1	S.N.A	
....4	R6046	2007-000138	R-CHIP;100ohm,5%,1/16W,TP,1005	1	S.N.A	
....4	R7021	2007-000138	R-CHIP;100ohm,5%,1/16W,TP,1005	1	S.N.A	
....4	R7022	2007-000138	R-CHIP;100ohm,5%,1/16W,TP,1005	1	S.N.A	
....4	R7023	2007-000138	R-CHIP;100ohm,5%,1/16W,TP,1005	1	S.N.A	
....4	R7024	2007-000138	R-CHIP;100ohm,5%,1/16W,TP,1005	1	S.N.A	
....4	R7025	2007-000138	R-CHIP;100ohm,5%,1/16W,TP,1005	1	S.N.A	
....4	R7026	2007-000138	R-CHIP;100ohm,5%,1/16W,TP,1005	1	S.N.A	
....4	R7027	2007-000138	R-CHIP;100ohm,5%,1/16W,TP,1005	1	S.N.A	
....4	R7028	2007-000138	R-CHIP;100ohm,5%,1/16W,TP,1005	1	S.N.A	
....4	R7037	2007-000138	R-CHIP;100ohm,5%,1/16W,TP,1005	1	S.N.A	
....4	R7049	2007-000138	R-CHIP;100ohm,5%,1/16W,TP,1005	1	S.N.A	
....4	R7054	2007-000138	R-CHIP;100ohm,5%,1/16W,TP,1005	1	S.N.A	
....4	R7055	2007-000138	R-CHIP;100ohm,5%,1/16W,TP,1005	1	S.N.A	
....4	R7056	2007-000138	R-CHIP;100ohm,5%,1/16W,TP,1005	1	S.N.A	
....4	R7057	2007-000138	R-CHIP;100ohm,5%,1/16W,TP,1005	1	S.N.A	
....4	R7058	2007-000138	R-CHIP;100ohm,5%,1/16W,TP,1005	1	S.N.A	
....4	R7059	2007-000138	R-CHIP;100ohm,5%,1/16W,TP,1005	1	S.N.A	
....4	R7060	2007-000138	R-CHIP;100ohm,5%,1/16W,TP,1005	1	S.N.A	
....4	R7061	2007-000138	R-CHIP;100ohm,5%,1/16W,TP,1005	1	S.N.A	
....4	R7066	2007-000138	R-CHIP;100ohm,5%,1/16W,TP,1005	1	S.N.A	
....4	R7069	2007-000138	R-CHIP;100ohm,5%,1/16W,TP,1005	1	S.N.A	
....4	R7321	2007-000138	R-CHIP;100ohm,5%,1/16W,TP,1005	1	S.N.A	
....4	R7415	2007-000138	R-CHIP;100ohm,5%,1/16W,TP,1005	1	S.N.A	
....4	R7416	2007-000138	R-CHIP;100ohm,5%,1/16W,TP,1005	1	S.N.A	
....4	R7417	2007-000138	R-CHIP;100ohm,5%,1/16W,TP,1005	1	S.N.A	
....4	R7418	2007-000138	R-CHIP;100ohm,5%,1/16W,TP,1005	1	S.N.A	
....4	R7419	2007-000138	R-CHIP;100ohm,5%,1/16W,TP,1005	1	S.N.A	
....4	R7420	2007-000138	R-CHIP;100ohm,5%,1/16W,TP,1005	1	S.N.A	
....4	R7428_T	2007-000138	R-CHIP;100ohm,5%,1/16W,TP,1005	1	S.N.A	
....4	R7429_T	2007-000138	R-CHIP;100ohm,5%,1/16W,TP,1005	1	S.N.A	
....4	R9003	2007-000138	R-CHIP;100ohm,5%,1/16W,TP,1005	1	S.N.A	
....4	R9004	2007-000138	R-CHIP;100ohm,5%,1/16W,TP,1005	1	S.N.A	
....4	R9005	2007-000138	R-CHIP;100ohm,5%,1/16W,TP,1005	1	S.N.A	
....4	R9006	2007-000138	R-CHIP;100ohm,5%,1/16W,TP,1005	1	S.N.A	
....4	R9014	2007-000138	R-CHIP;100ohm,5%,1/16W,TP,1005	1	S.N.A	

5. Exploded View & Part List

Level	Location No.	Code No.	Description & Specification	Q'ty	SA/SNA	Remark
...4	R9017	2007-000138	R-CHIP;100ohm,5%,1/16W,TP,1005	1	S.N.A	
...4	R9019	2007-000138	R-CHIP;100ohm,5%,1/16W,TP,1005	1	S.N.A	
...4	R9020	2007-000138	R-CHIP;100ohm,5%,1/16W,TP,1005	1	S.N.A	
...4	R2038	2007-000140	R-CHIP;1Kohm,5%,1/16W,TP,1005	1	S.N.A	
...4	R2039	2007-000140	R-CHIP;1Kohm,5%,1/16W,TP,1005	1	S.N.A	
...4	R2057	2007-000140	R-CHIP;1Kohm,5%,1/16W,TP,1005	1	S.N.A	
...4	R3004	2007-000140	R-CHIP;1Kohm,5%,1/16W,TP,1005	1	S.N.A	
...4	R3026	2007-000140	R-CHIP;1Kohm,5%,1/16W,TP,1005	1	S.N.A	
...4	R3028	2007-000140	R-CHIP;1Kohm,5%,1/16W,TP,1005	1	S.N.A	
...4	R3036	2007-000140	R-CHIP;1Kohm,5%,1/16W,TP,1005	1	S.N.A	
...4	R3037	2007-000140	R-CHIP;1Kohm,5%,1/16W,TP,1005	1	S.N.A	
...4	R3042	2007-000140	R-CHIP;1Kohm,5%,1/16W,TP,1005	1	S.N.A	
...4	R3055	2007-000140	R-CHIP;1Kohm,5%,1/16W,TP,1005	1	S.N.A	
...4	R3077	2007-000140	R-CHIP;1Kohm,5%,1/16W,TP,1005	1	S.N.A	
...4	R3079	2007-000140	R-CHIP;1Kohm,5%,1/16W,TP,1005	1	S.N.A	
...4	R3081	2007-000140	R-CHIP;1Kohm,5%,1/16W,TP,1005	1	S.N.A	
...4	R3082	2007-000140	R-CHIP;1Kohm,5%,1/16W,TP,1005	1	S.N.A	
...4	R3099	2007-000140	R-CHIP;1Kohm,5%,1/16W,TP,1005	1	S.N.A	
...4	R3100	2007-000140	R-CHIP;1Kohm,5%,1/16W,TP,1005	1	S.N.A	
...4	R3111	2007-000140	R-CHIP;1Kohm,5%,1/16W,TP,1005	1	S.N.A	
...4	R3118_NSID	2007-000140	R-CHIP;1Kohm,5%,1/16W,TP,1005	1	S.N.A	
...4	R3119_NSID	2007-000140	R-CHIP;1Kohm,5%,1/16W,TP,1005	1	S.N.A	
...4	R3120_NSID	2007-000140	R-CHIP;1Kohm,5%,1/16W,TP,1005	1	S.N.A	
...4	R3128_NSID	2007-000140	R-CHIP;1Kohm,5%,1/16W,TP,1005	1	S.N.A	
...4	R3131	2007-000140	R-CHIP;1Kohm,5%,1/16W,TP,1005	1	S.N.A	
...4	R3168_4HDM	2007-000140	R-CHIP;1Kohm,5%,1/16W,TP,1005	1	S.N.A	
...4	R3184	2007-000140	R-CHIP;1Kohm,5%,1/16W,TP,1005	1	S.N.A	
...4	R3191	2007-000140	R-CHIP;1Kohm,5%,1/16W,TP,1005	1	S.N.A	
...4	R3194_4HDM	2007-000140	R-CHIP;1Kohm,5%,1/16W,TP,1005	1	S.N.A	
...4	R3224	2007-000140	R-CHIP;1Kohm,5%,1/16W,TP,1005	1	S.N.A	
...4	R3225	2007-000140	R-CHIP;1Kohm,5%,1/16W,TP,1005	1	S.N.A	
...4	R3226	2007-000140	R-CHIP;1Kohm,5%,1/16W,TP,1005	1	S.N.A	
...4	R3227	2007-000140	R-CHIP;1Kohm,5%,1/16W,TP,1005	1	S.N.A	
...4	R3228	2007-000140	R-CHIP;1Kohm,5%,1/16W,TP,1005	1	S.N.A	
...4	R3310	2007-000140	R-CHIP;1Kohm,5%,1/16W,TP,1005	1	S.N.A	
...4	R5007	2007-000140	R-CHIP;1Kohm,5%,1/16W,TP,1005	1	S.N.A	
...4	R6033	2007-000140	R-CHIP;1Kohm,5%,1/16W,TP,1005	1	S.N.A	
...4	R6037	2007-000140	R-CHIP;1Kohm,5%,1/16W,TP,1005	1	S.N.A	
...4	R7336	2007-000140	R-CHIP;1Kohm,5%,1/16W,TP,1005	1	S.N.A	
...4	R7357	2007-000140	R-CHIP;1Kohm,5%,1/16W,TP,1005	1	S.N.A	
...4	R1010	2007-000141	R-CHIP;2.2Kohm,5%,1/16W,TP,1005	1	S.N.A	
...4	R5027	2007-000141	R-CHIP;2.2Kohm,5%,1/16W,TP,1005	1	S.N.A	
...4	R6035	2007-000141	R-CHIP;2.2Kohm,5%,1/16W,TP,1005	1	S.N.A	
...4	R1012	2007-000143	R-CHIP;4.7Kohm,5%,1/16W,TP,1005	1	S.A	
...4	R1032	2007-000143	R-CHIP;4.7Kohm,5%,1/16W,TP,1005	1	S.A	
...4	R1569	2007-000143	R-CHIP;4.7Kohm,5%,1/16W,TP,1005	1	S.A	
...4	R2029	2007-000143	R-CHIP;4.7Kohm,5%,1/16W,TP,1005	1	S.A	
...4	R2030	2007-000143	R-CHIP;4.7Kohm,5%,1/16W,TP,1005	1	S.A	
...4	R2058	2007-000143	R-CHIP;4.7Kohm,5%,1/16W,TP,1005	1	S.A	
...4	R2060	2007-000143	R-CHIP;4.7Kohm,5%,1/16W,TP,1005	1	S.A	
...4	R2061	2007-000143	R-CHIP;4.7Kohm,5%,1/16W,TP,1005	1	S.A	

## 5. Exploded View &amp; Part List

Level	Location No.	Code No.	Description & Specification	Q'ty	SA/SNA	Remark
....4	R2062	2007-000143	R-CHIP;4.7Kohm,5%,1/16W,TP,1005	1	S.A	
....4	R2063	2007-000143	R-CHIP;4.7Kohm,5%,1/16W,TP,1005	1	S.A	
....4	R2064	2007-000143	R-CHIP;4.7Kohm,5%,1/16W,TP,1005	1	S.A	
....4	R3056	2007-000143	R-CHIP;4.7Kohm,5%,1/16W,TP,1005	1	S.A	
....4	R3114	2007-000143	R-CHIP;4.7Kohm,5%,1/16W,TP,1005	1	S.A	
....4	R3182_4HDM	2007-000143	R-CHIP;4.7Kohm,5%,1/16W,TP,1005	1	S.A	
....4	R3190	2007-000143	R-CHIP;4.7Kohm,5%,1/16W,TP,1005	1	S.A	
....4	R3198	2007-000143	R-CHIP;4.7Kohm,5%,1/16W,TP,1005	1	S.A	
....4	R3401	2007-000143	R-CHIP;4.7Kohm,5%,1/16W,TP,1005	1	S.A	
....4	R3402	2007-000143	R-CHIP;4.7Kohm,5%,1/16W,TP,1005	1	S.A	
....4	R3620	2007-000143	R-CHIP;4.7Kohm,5%,1/16W,TP,1005	1	S.A	
....4	R3621	2007-000143	R-CHIP;4.7Kohm,5%,1/16W,TP,1005	1	S.A	
....4	R3623	2007-000143	R-CHIP;4.7Kohm,5%,1/16W,TP,1005	1	S.A	
....4	R3642	2007-000143	R-CHIP;4.7Kohm,5%,1/16W,TP,1005	1	S.A	
....4	R3653	2007-000143	R-CHIP;4.7Kohm,5%,1/16W,TP,1005	1	S.A	
....4	R3656	2007-000143	R-CHIP;4.7Kohm,5%,1/16W,TP,1005	1	S.A	
....4	R3657	2007-000143	R-CHIP;4.7Kohm,5%,1/16W,TP,1005	1	S.A	
....4	R3659	2007-000143	R-CHIP;4.7Kohm,5%,1/16W,TP,1005	1	S.A	
....4	R4084	2007-000143	R-CHIP;4.7Kohm,5%,1/16W,TP,1005	1	S.A	
....4	R4091	2007-000143	R-CHIP;4.7Kohm,5%,1/16W,TP,1005	1	S.A	
....4	R4092	2007-000143	R-CHIP;4.7Kohm,5%,1/16W,TP,1005	1	S.A	
....4	R4093	2007-000143	R-CHIP;4.7Kohm,5%,1/16W,TP,1005	1	S.A	
....4	R4108	2007-000143	R-CHIP;4.7Kohm,5%,1/16W,TP,1005	1	S.A	
....4	R4149	2007-000143	R-CHIP;4.7Kohm,5%,1/16W,TP,1005	1	S.A	
....4	R4157	2007-000143	R-CHIP;4.7Kohm,5%,1/16W,TP,1005	1	S.A	
....4	R4158	2007-000143	R-CHIP;4.7Kohm,5%,1/16W,TP,1005	1	S.A	
....4	R4159	2007-000143	R-CHIP;4.7Kohm,5%,1/16W,TP,1005	1	S.A	
....4	R4160	2007-000143	R-CHIP;4.7Kohm,5%,1/16W,TP,1005	1	S.A	
....4	R4161	2007-000143	R-CHIP;4.7Kohm,5%,1/16W,TP,1005	1	S.A	
....4	R4162	2007-000143	R-CHIP;4.7Kohm,5%,1/16W,TP,1005	1	S.A	
....4	R4164	2007-000143	R-CHIP;4.7Kohm,5%,1/16W,TP,1005	1	S.A	
....4	R4167	2007-000143	R-CHIP;4.7Kohm,5%,1/16W,TP,1005	1	S.A	
....4	R4169	2007-000143	R-CHIP;4.7Kohm,5%,1/16W,TP,1005	1	S.A	
....4	R4170_FRCM	2007-000143	R-CHIP;4.7Kohm,5%,1/16W,TP,1005	1	S.A	
....4	R4171	2007-000143	R-CHIP;4.7Kohm,5%,1/16W,TP,1005	1	S.A	
....4	R4178	2007-000143	R-CHIP;4.7Kohm,5%,1/16W,TP,1005	1	S.A	
....4	R4193	2007-000143	R-CHIP;4.7Kohm,5%,1/16W,TP,1005	1	S.A	
....4	R4194	2007-000143	R-CHIP;4.7Kohm,5%,1/16W,TP,1005	1	S.A	
....4	R4200	2007-000143	R-CHIP;4.7Kohm,5%,1/16W,TP,1005	1	S.A	
....4	R4211	2007-000143	R-CHIP;4.7Kohm,5%,1/16W,TP,1005	1	S.A	
....4	R4212	2007-000143	R-CHIP;4.7Kohm,5%,1/16W,TP,1005	1	S.A	
....4	R4218_T	2007-000143	R-CHIP;4.7Kohm,5%,1/16W,TP,1005	1	S.A	
....4	R4219_T	2007-000143	R-CHIP;4.7Kohm,5%,1/16W,TP,1005	1	S.A	
....4	R5054	2007-000143	R-CHIP;4.7Kohm,5%,1/16W,TP,1005	1	S.A	
....4	R5055	2007-000143	R-CHIP;4.7Kohm,5%,1/16W,TP,1005	1	S.A	
....4	R5058	2007-000143	R-CHIP;4.7Kohm,5%,1/16W,TP,1005	1	S.A	
....4	R5059	2007-000143	R-CHIP;4.7Kohm,5%,1/16W,TP,1005	1	S.A	
....4	R5060	2007-000143	R-CHIP;4.7Kohm,5%,1/16W,TP,1005	1	S.A	
....4	R5061	2007-000143	R-CHIP;4.7Kohm,5%,1/16W,TP,1005	1	S.A	
....4	R5066	2007-000143	R-CHIP;4.7Kohm,5%,1/16W,TP,1005	1	S.A	
....4	R5069	2007-000143	R-CHIP;4.7Kohm,5%,1/16W,TP,1005	1	S.A	



5. Exploded View & Part List

Level	Location No.	Code No.	Description & Specification	Q'ty	SA/SNA	Remark
...4	R5106	2007-000143	R-CHIP;4.7Kohm,5%,1/16W,TP,1005	1	S.A	
...4	R5107	2007-000143	R-CHIP;4.7Kohm,5%,1/16W,TP,1005	1	S.A	
...4	R6001	2007-000143	R-CHIP;4.7Kohm,5%,1/16W,TP,1005	1	S.A	
...4	R6005	2007-000143	R-CHIP;4.7Kohm,5%,1/16W,TP,1005	1	S.A	
...4	R6008_FHD	2007-000143	R-CHIP;4.7Kohm,5%,1/16W,TP,1005	1	S.A	
...4	R6009	2007-000143	R-CHIP;4.7Kohm,5%,1/16W,TP,1005	1	S.A	
...4	R6012	2007-000143	R-CHIP;4.7Kohm,5%,1/16W,TP,1005	1	S.A	
...4	R6027	2007-000143	R-CHIP;4.7Kohm,5%,1/16W,TP,1005	1	S.A	
...4	R6036	2007-000143	R-CHIP;4.7Kohm,5%,1/16W,TP,1005	1	S.A	
...4	R7283	2007-000143	R-CHIP;4.7Kohm,5%,1/16W,TP,1005	1	S.A	
...4	R7284	2007-000143	R-CHIP;4.7Kohm,5%,1/16W,TP,1005	1	S.A	
...4	R7296	2007-000143	R-CHIP;4.7Kohm,5%,1/16W,TP,1005	1	S.A	
...4	R7302	2007-000143	R-CHIP;4.7Kohm,5%,1/16W,TP,1005	1	S.A	
...4	R7303	2007-000143	R-CHIP;4.7Kohm,5%,1/16W,TP,1005	1	S.A	
...4	R7304	2007-000143	R-CHIP;4.7Kohm,5%,1/16W,TP,1005	1	S.A	
...4	R7305	2007-000143	R-CHIP;4.7Kohm,5%,1/16W,TP,1005	1	S.A	
...4	R7306	2007-000143	R-CHIP;4.7Kohm,5%,1/16W,TP,1005	1	S.A	
...4	R7307	2007-000143	R-CHIP;4.7Kohm,5%,1/16W,TP,1005	1	S.A	
...4	R7308	2007-000143	R-CHIP;4.7Kohm,5%,1/16W,TP,1005	1	S.A	
...4	R7309	2007-000143	R-CHIP;4.7Kohm,5%,1/16W,TP,1005	1	S.A	
...4	R7310	2007-000143	R-CHIP;4.7Kohm,5%,1/16W,TP,1005	1	S.A	
...4	R7311	2007-000143	R-CHIP;4.7Kohm,5%,1/16W,TP,1005	1	S.A	
...4	R7312	2007-000143	R-CHIP;4.7Kohm,5%,1/16W,TP,1005	1	S.A	
...4	R7314	2007-000143	R-CHIP;4.7Kohm,5%,1/16W,TP,1005	1	S.A	
...4	R7315	2007-000143	R-CHIP;4.7Kohm,5%,1/16W,TP,1005	1	S.A	
...4	R7316	2007-000143	R-CHIP;4.7Kohm,5%,1/16W,TP,1005	1	S.A	
...4	R7340	2007-000143	R-CHIP;4.7Kohm,5%,1/16W,TP,1005	1	S.A	
...4	R7341	2007-000143	R-CHIP;4.7Kohm,5%,1/16W,TP,1005	1	S.A	
...4	R7342	2007-000143	R-CHIP;4.7Kohm,5%,1/16W,TP,1005	1	S.A	
...4	R7387	2007-000143	R-CHIP;4.7Kohm,5%,1/16W,TP,1005	1	S.A	
...4	R7404	2007-000143	R-CHIP;4.7Kohm,5%,1/16W,TP,1005	1	S.A	
...4	R9026	2007-000143	R-CHIP;4.7Kohm,5%,1/16W,TP,1005	1	S.A	
...4	R9061	2007-000143	R-CHIP;4.7Kohm,5%,1/16W,TP,1005	1	S.A	
...4	R9067	2007-000143	R-CHIP;4.7Kohm,5%,1/16W,TP,1005	1	S.A	
...4	R9068	2007-000143	R-CHIP;4.7Kohm,5%,1/16W,TP,1005	1	S.A	
...4	R1050	2007-000148	R-CHIP;10Kohm,5%,1/16W,TP,1005	1	S.A	
...4	R2049	2007-000148	R-CHIP;10Kohm,5%,1/16W,TP,1005	1	S.A	
...4	R2066	2007-000148	R-CHIP;10Kohm,5%,1/16W,TP,1005	1	S.A	
...4	R2067	2007-000148	R-CHIP;10Kohm,5%,1/16W,TP,1005	1	S.A	
...4	R3134	2007-000148	R-CHIP;10Kohm,5%,1/16W,TP,1005	1	S.A	
...4	R3139	2007-000148	R-CHIP;10Kohm,5%,1/16W,TP,1005	1	S.A	
...4	R3140	2007-000148	R-CHIP;10Kohm,5%,1/16W,TP,1005	1	S.A	
...4	R3174	2007-000148	R-CHIP;10Kohm,5%,1/16W,TP,1005	1	S.A	
...4	R3183	2007-000148	R-CHIP;10Kohm,5%,1/16W,TP,1005	1	S.A	
...4	R3185	2007-000148	R-CHIP;10Kohm,5%,1/16W,TP,1005	1	S.A	
...4	R3186	2007-000148	R-CHIP;10Kohm,5%,1/16W,TP,1005	1	S.A	
...4	R3197_4HDM	2007-000148	R-CHIP;10Kohm,5%,1/16W,TP,1005	1	S.A	
...4	R3199_4HDM	2007-000148	R-CHIP;10Kohm,5%,1/16W,TP,1005	1	S.A	
...4	R3200_4HDM	2007-000148	R-CHIP;10Kohm,5%,1/16W,TP,1005	1	S.A	
...4	R3212	2007-000148	R-CHIP;10Kohm,5%,1/16W,TP,1005	1	S.A	
...4	R3213	2007-000148	R-CHIP;10Kohm,5%,1/16W,TP,1005	1	S.A	



## 5. Exploded View &amp; Part List

Level	Location No.	Code No.	Description & Specification	Q'ty	SA/SNA	Remark
....4	R3214	2007-000148	R-CHIP;10Kohm,5%,1/16W,TP,1005	1	S.A	
....4	R3218	2007-000148	R-CHIP;10Kohm,5%,1/16W,TP,1005	1	S.A	
....4	R3221	2007-000148	R-CHIP;10Kohm,5%,1/16W,TP,1005	1	S.A	
....4	R3230	2007-000148	R-CHIP;10Kohm,5%,1/16W,TP,1005	1	S.A	
....4	R3611	2007-000148	R-CHIP;10Kohm,5%,1/16W,TP,1005	1	S.A	
....4	R4080	2007-000148	R-CHIP;10Kohm,5%,1/16W,TP,1005	1	S.A	
....4	R4088	2007-000148	R-CHIP;10Kohm,5%,1/16W,TP,1005	1	S.A	
....4	R4098	2007-000148	R-CHIP;10Kohm,5%,1/16W,TP,1005	1	S.A	
....4	R4107	2007-000148	R-CHIP;10Kohm,5%,1/16W,TP,1005	1	S.A	
....4	R4142_IR	2007-000148	R-CHIP;10Kohm,5%,1/16W,TP,1005	1	S.A	
....4	R4155	2007-000148	R-CHIP;10Kohm,5%,1/16W,TP,1005	1	S.A	
....4	R4156	2007-000148	R-CHIP;10Kohm,5%,1/16W,TP,1005	1	S.A	
....4	R4163	2007-000148	R-CHIP;10Kohm,5%,1/16W,TP,1005	1	S.A	
....4	R4168	2007-000148	R-CHIP;10Kohm,5%,1/16W,TP,1005	1	S.A	
....4	R4172_NALM	2007-000148	R-CHIP;10Kohm,5%,1/16W,TP,1005	1	S.A	
....4	R4191_FAN	2007-000148	R-CHIP;10Kohm,5%,1/16W,TP,1005	1	S.A	
....4	R4192_FAN	2007-000148	R-CHIP;10Kohm,5%,1/16W,TP,1005	1	S.A	
....4	R4195_FAN	2007-000148	R-CHIP;10Kohm,5%,1/16W,TP,1005	1	S.A	
....4	R4201	2007-000148	R-CHIP;10Kohm,5%,1/16W,TP,1005	1	S.A	
....4	R4203	2007-000148	R-CHIP;10Kohm,5%,1/16W,TP,1005	1	S.A	
....4	R4206	2007-000148	R-CHIP;10Kohm,5%,1/16W,TP,1005	1	S.A	
....4	R4209	2007-000148	R-CHIP;10Kohm,5%,1/16W,TP,1005	1	S.A	
....4	R4210	2007-000148	R-CHIP;10Kohm,5%,1/16W,TP,1005	1	S.A	
....4	R5043	2007-000148	R-CHIP;10Kohm,5%,1/16W,TP,1005	1	S.A	
....4	R5062	2007-000148	R-CHIP;10Kohm,5%,1/16W,TP,1005	1	S.A	
....4	R5063	2007-000148	R-CHIP;10Kohm,5%,1/16W,TP,1005	1	S.A	
....4	R5067	2007-000148	R-CHIP;10Kohm,5%,1/16W,TP,1005	1	S.A	
....4	R5068	2007-000148	R-CHIP;10Kohm,5%,1/16W,TP,1005	1	S.A	
....4	R6015	2007-000148	R-CHIP;10Kohm,5%,1/16W,TP,1005	1	S.A	
....4	R7042	2007-000148	R-CHIP;10Kohm,5%,1/16W,TP,1005	1	S.A	
....4	R7070	2007-000148	R-CHIP;10Kohm,5%,1/16W,TP,1005	1	S.A	
....4	R7116	2007-000148	R-CHIP;10Kohm,5%,1/16W,TP,1005	1	S.A	
....4	R7117	2007-000148	R-CHIP;10Kohm,5%,1/16W,TP,1005	1	S.A	
....4	R7118	2007-000148	R-CHIP;10Kohm,5%,1/16W,TP,1005	1	S.A	
....4	R7237	2007-000148	R-CHIP;10Kohm,5%,1/16W,TP,1005	1	S.A	
....4	R7253	2007-000148	R-CHIP;10Kohm,5%,1/16W,TP,1005	1	S.A	
....4	R7254	2007-000148	R-CHIP;10Kohm,5%,1/16W,TP,1005	1	S.A	
....4	R7256	2007-000148	R-CHIP;10Kohm,5%,1/16W,TP,1005	1	S.A	
....4	R7274	2007-000148	R-CHIP;10Kohm,5%,1/16W,TP,1005	1	S.A	
....4	R7275	2007-000148	R-CHIP;10Kohm,5%,1/16W,TP,1005	1	S.A	
....4	R7276	2007-000148	R-CHIP;10Kohm,5%,1/16W,TP,1005	1	S.A	
....4	R7277	2007-000148	R-CHIP;10Kohm,5%,1/16W,TP,1005	1	S.A	
....4	R7278	2007-000148	R-CHIP;10Kohm,5%,1/16W,TP,1005	1	S.A	
....4	R7279	2007-000148	R-CHIP;10Kohm,5%,1/16W,TP,1005	1	S.A	
....4	R7319	2007-000148	R-CHIP;10Kohm,5%,1/16W,TP,1005	1	S.A	
....4	R7338	2007-000148	R-CHIP;10Kohm,5%,1/16W,TP,1005	1	S.A	
....4	R7349	2007-000148	R-CHIP;10Kohm,5%,1/16W,TP,1005	1	S.A	
....4	R7350	2007-000148	R-CHIP;10Kohm,5%,1/16W,TP,1005	1	S.A	
....4	R7356	2007-000148	R-CHIP;10Kohm,5%,1/16W,TP,1005	1	S.A	
....4	R7362	2007-000148	R-CHIP;10Kohm,5%,1/16W,TP,1005	1	S.A	
....4	R7367	2007-000148	R-CHIP;10Kohm,5%,1/16W,TP,1005	1	S.A	

5. Exploded View & Part List

Level	Location No.	Code No.	Description & Specification	Q'ty	SA/SNA	Remark
...4	R7371	2007-000148	R-CHIP;10Kohm,5%,1/16W,TP,1005	1	S.A	
...4	R7372	2007-000148	R-CHIP;10Kohm,5%,1/16W,TP,1005	1	S.A	
...4	R7378	2007-000148	R-CHIP;10Kohm,5%,1/16W,TP,1005	1	S.A	
...4	R7752	2007-000148	R-CHIP;10Kohm,5%,1/16W,TP,1005	1	S.A	
...4	R9001	2007-000148	R-CHIP;10Kohm,5%,1/16W,TP,1005	1	S.A	
...4	R9011	2007-000148	R-CHIP;10Kohm,5%,1/16W,TP,1005	1	S.A	
...4	R9021	2007-000148	R-CHIP;10Kohm,5%,1/16W,TP,1005	1	S.A	
...4	R9024	2007-000148	R-CHIP;10Kohm,5%,1/16W,TP,1005	1	S.A	
...4	R9025	2007-000148	R-CHIP;10Kohm,5%,1/16W,TP,1005	1	S.A	
...4	R9057	2007-000148	R-CHIP;10Kohm,5%,1/16W,TP,1005	1	S.A	
...4	R9060	2007-000148	R-CHIP;10Kohm,5%,1/16W,TP,1005	1	S.A	
...4	R9062	2007-000148	R-CHIP;10Kohm,5%,1/16W,TP,1005	1	S.A	
...4	R9063	2007-000148	R-CHIP;10Kohm,5%,1/16W,TP,1005	1	S.A	
...4	R9064	2007-000148	R-CHIP;10Kohm,5%,1/16W,TP,1005	1	S.A	
...4	R9569	2007-000148	R-CHIP;10Kohm,5%,1/16W,TP,1005	1	S.A	
...4	R9570	2007-000148	R-CHIP;10Kohm,5%,1/16W,TP,1005	1	S.A	
...4	R1027	2007-000153	R-CHIP;22Kohm,5%,1/16W,TP,1005	1	S.A	
...4	R5026	2007-000153	R-CHIP;22Kohm,5%,1/16W,TP,1005	1	S.A	
...4	R4072_CEC	2007-000155	R-CHIP;27Kohm,5%,1/16W,TP,1005	1	S.A	
...4	R3011	2007-000157	R-CHIP;47Kohm,5%,1/16W,TP,1005	1	S.A	
...4	R3013	2007-000157	R-CHIP;47Kohm,5%,1/16W,TP,1005	1	S.A	
...4	R3059	2007-000157	R-CHIP;47Kohm,5%,1/16W,TP,1005	1	S.A	
...4	R3061	2007-000157	R-CHIP;47Kohm,5%,1/16W,TP,1005	1	S.A	
...4	R3072	2007-000157	R-CHIP;47Kohm,5%,1/16W,TP,1005	1	S.A	
...4	R3080	2007-000157	R-CHIP;47Kohm,5%,1/16W,TP,1005	1	S.A	
...4	R3101_NSID	2007-000157	R-CHIP;47Kohm,5%,1/16W,TP,1005	1	S.A	
...4	R3102_NSID	2007-000157	R-CHIP;47Kohm,5%,1/16W,TP,1005	1	S.A	
...4	R3103_NSID	2007-000157	R-CHIP;47Kohm,5%,1/16W,TP,1005	1	S.A	
...4	R3104_NSID	2007-000157	R-CHIP;47Kohm,5%,1/16W,TP,1005	1	S.A	
...4	R3211	2007-000157	R-CHIP;47Kohm,5%,1/16W,TP,1005	1	S.A	
...4	R3215	2007-000157	R-CHIP;47Kohm,5%,1/16W,TP,1005	1	S.A	
...4	R3219	2007-000157	R-CHIP;47Kohm,5%,1/16W,TP,1005	1	S.A	
...4	R3229	2007-000157	R-CHIP;47Kohm,5%,1/16W,TP,1005	1	S.A	
...4	R3616	2007-000157	R-CHIP;47Kohm,5%,1/16W,TP,1005	1	S.A	
...4	R3617	2007-000157	R-CHIP;47Kohm,5%,1/16W,TP,1005	1	S.A	
...4	R4177	2007-000157	R-CHIP;47Kohm,5%,1/16W,TP,1005	1	S.A	
...4	R4174_CEC	2007-000159	R-CHIP;56Kohm,5%,1/16W,TP,1005	1	S.A	
...4	R4086	2007-000170	R-CHIP;1Mohm,5%,1/16W,TP,1005	1	S.A	
...4	R9008	2007-000170	R-CHIP;1Mohm,5%,1/16W,TP,1005	1	S.A	
...4	R9073	2007-000170	R-CHIP;1Mohm,5%,1/16W,TP,1005	1	S.A	
...4	L850	2007-000171	R-CHIP;0ohm,5%,1/16W,TP,1005	1	S.A	
...4	L850_40	2007-000171	R-CHIP;0ohm,5%,1/16W,TP,1005	1	S.A	
...4	L950	2007-000171	R-CHIP;0ohm,5%,1/16W,TP,1005	1	S.A	
...4	L950_46	2007-000171	R-CHIP;0ohm,5%,1/16W,TP,1005	1	S.A	
...4	R1040	2007-000171	R-CHIP;0ohm,5%,1/16W,TP,1005	1	S.A	
...4	R1565	2007-000171	R-CHIP;0ohm,5%,1/16W,TP,1005	1	S.A	
...4	R2065	2007-000171	R-CHIP;0ohm,5%,1/16W,TP,1005	1	S.A	
...4	R2084_4SPK	2007-000171	R-CHIP;0ohm,5%,1/16W,TP,1005	1	S.A	
...4	R2085_4SPK	2007-000171	R-CHIP;0ohm,5%,1/16W,TP,1005	1	S.A	
...4	R2086	2007-000171	R-CHIP;0ohm,5%,1/16W,TP,1005	1	S.A	
...4	R3029	2007-000171	R-CHIP;0ohm,5%,1/16W,TP,1005	1	S.A	

## 5. Exploded View &amp; Part List

Level	Location No.	Code No.	Description & Specification	Q'ty	SA/SNA	Remark
....4	R3065	2007-000171	R-CHIP;0ohm,5%,1/16W,TP,1005	1	S.A	
....4	R3074	2007-000171	R-CHIP;0ohm,5%,1/16W,TP,1005	1	S.A	
....4	R3109	2007-000171	R-CHIP;0ohm,5%,1/16W,TP,1005	1	S.A	
....4	R3123_NSID	2007-000171	R-CHIP;0ohm,5%,1/16W,TP,1005	1	S.A	
....4	R3125_NSID	2007-000171	R-CHIP;0ohm,5%,1/16W,TP,1005	1	S.A	
....4	R3167_4HDM	2007-000171	R-CHIP;0ohm,5%,1/16W,TP,1005	1	S.A	
....4	R3187	2007-000171	R-CHIP;0ohm,5%,1/16W,TP,1005	1	S.A	
....4	R3192	2007-000171	R-CHIP;0ohm,5%,1/16W,TP,1005	1	S.A	
....4	R3193	2007-000171	R-CHIP;0ohm,5%,1/16W,TP,1005	1	S.A	
....4	R3220	2007-000171	R-CHIP;0ohm,5%,1/16W,TP,1005	1	S.A	
....4	R3301	2007-000171	R-CHIP;0ohm,5%,1/16W,TP,1005	1	S.A	
....4	R3302	2007-000171	R-CHIP;0ohm,5%,1/16W,TP,1005	1	S.A	
....4	R3303	2007-000171	R-CHIP;0ohm,5%,1/16W,TP,1005	1	S.A	
....4	R3304	2007-000171	R-CHIP;0ohm,5%,1/16W,TP,1005	1	S.A	
....4	R3305	2007-000171	R-CHIP;0ohm,5%,1/16W,TP,1005	1	S.A	
....4	R3306	2007-000171	R-CHIP;0ohm,5%,1/16W,TP,1005	1	S.A	
....4	R3307	2007-000171	R-CHIP;0ohm,5%,1/16W,TP,1005	1	S.A	
....4	R3308	2007-000171	R-CHIP;0ohm,5%,1/16W,TP,1005	1	S.A	
....4	R3332_NSID	2007-000171	R-CHIP;0ohm,5%,1/16W,TP,1005	1	S.A	
....4	R3403	2007-000171	R-CHIP;0ohm,5%,1/16W,TP,1005	1	S.A	
....4	R3404	2007-000171	R-CHIP;0ohm,5%,1/16W,TP,1005	1	S.A	
....4	R3405	2007-000171	R-CHIP;0ohm,5%,1/16W,TP,1005	1	S.A	
....4	R3423	2007-000171	R-CHIP;0ohm,5%,1/16W,TP,1005	1	S.A	
....4	R3505_NPX	2007-000171	R-CHIP;0ohm,5%,1/16W,TP,1005	1	S.A	
....4	R3506_NPX	2007-000171	R-CHIP;0ohm,5%,1/16W,TP,1005	1	S.A	
....4	R3509_NPX	2007-000171	R-CHIP;0ohm,5%,1/16W,TP,1005	1	S.A	
....4	R3510_NPX	2007-000171	R-CHIP;0ohm,5%,1/16W,TP,1005	1	S.A	
....4	R3601	2007-000171	R-CHIP;0ohm,5%,1/16W,TP,1005	1	S.A	
....4	R3602	2007-000171	R-CHIP;0ohm,5%,1/16W,TP,1005	1	S.A	
....4	R3603	2007-000171	R-CHIP;0ohm,5%,1/16W,TP,1005	1	S.A	
....4	R3604	2007-000171	R-CHIP;0ohm,5%,1/16W,TP,1005	1	S.A	
....4	R3605	2007-000171	R-CHIP;0ohm,5%,1/16W,TP,1005	1	S.A	
....4	R3606	2007-000171	R-CHIP;0ohm,5%,1/16W,TP,1005	1	S.A	
....4	R3607	2007-000171	R-CHIP;0ohm,5%,1/16W,TP,1005	1	S.A	
....4	R3608	2007-000171	R-CHIP;0ohm,5%,1/16W,TP,1005	1	S.A	
....4	R3609	2007-000171	R-CHIP;0ohm,5%,1/16W,TP,1005	1	S.A	
....4	R3610	2007-000171	R-CHIP;0ohm,5%,1/16W,TP,1005	1	S.A	
....4	R3613	2007-000171	R-CHIP;0ohm,5%,1/16W,TP,1005	1	S.A	
....4	R3614	2007-000171	R-CHIP;0ohm,5%,1/16W,TP,1005	1	S.A	
....4	R3618	2007-000171	R-CHIP;0ohm,5%,1/16W,TP,1005	1	S.A	
....4	R3619	2007-000171	R-CHIP;0ohm,5%,1/16W,TP,1005	1	S.A	
....4	R3626	2007-000171	R-CHIP;0ohm,5%,1/16W,TP,1005	1	S.A	
....4	R3627	2007-000171	R-CHIP;0ohm,5%,1/16W,TP,1005	1	S.A	
....4	R3628	2007-000171	R-CHIP;0ohm,5%,1/16W,TP,1005	1	S.A	
....4	R3629	2007-000171	R-CHIP;0ohm,5%,1/16W,TP,1005	1	S.A	
....4	R3638	2007-000171	R-CHIP;0ohm,5%,1/16W,TP,1005	1	S.A	
....4	R3639	2007-000171	R-CHIP;0ohm,5%,1/16W,TP,1005	1	S.A	
....4	R3640	2007-000171	R-CHIP;0ohm,5%,1/16W,TP,1005	1	S.A	
....4	R3643	2007-000171	R-CHIP;0ohm,5%,1/16W,TP,1005	1	S.A	
....4	R3650	2007-000171	R-CHIP;0ohm,5%,1/16W,TP,1005	1	S.A	
....4	R4020_T	2007-000171	R-CHIP;0ohm,5%,1/16W,TP,1005	1	S.A	

5. Exploded View & Part List

Level	Location No.	Code No.	Description & Specification	Q'ty	SA/SNA	Remark
...4	R4021_T	2007-000171	R-CHIP;0ohm,5%,1/16W,TP,1005	1	S.A	
...4	R4022_T	2007-000171	R-CHIP;0ohm,5%,1/16W,TP,1005	1	S.A	
...4	R4059	2007-000171	R-CHIP;0ohm,5%,1/16W,TP,1005	1	S.A	
...4	R4063	2007-000171	R-CHIP;0ohm,5%,1/16W,TP,1005	1	S.A	
...4	R4064	2007-000171	R-CHIP;0ohm,5%,1/16W,TP,1005	1	S.A	
...4	R4067	2007-000171	R-CHIP;0ohm,5%,1/16W,TP,1005	1	S.A	
...4	R4068	2007-000171	R-CHIP;0ohm,5%,1/16W,TP,1005	1	S.A	
...4	R4069	2007-000171	R-CHIP;0ohm,5%,1/16W,TP,1005	1	S.A	
...4	R4071	2007-000171	R-CHIP;0ohm,5%,1/16W,TP,1005	1	S.A	
...4	R4099	2007-000171	R-CHIP;0ohm,5%,1/16W,TP,1005	1	S.A	
...4	R4105	2007-000171	R-CHIP;0ohm,5%,1/16W,TP,1005	1	S.A	
...4	R4106	2007-000171	R-CHIP;0ohm,5%,1/16W,TP,1005	1	S.A	
...4	R4109	2007-000171	R-CHIP;0ohm,5%,1/16W,TP,1005	1	S.A	
...4	R4110	2007-000171	R-CHIP;0ohm,5%,1/16W,TP,1005	1	S.A	
...4	R4111	2007-000171	R-CHIP;0ohm,5%,1/16W,TP,1005	1	S.A	
...4	R4112	2007-000171	R-CHIP;0ohm,5%,1/16W,TP,1005	1	S.A	
...4	R4116	2007-000171	R-CHIP;0ohm,5%,1/16W,TP,1005	1	S.A	
...4	R4118	2007-000171	R-CHIP;0ohm,5%,1/16W,TP,1005	1	S.A	
...4	R4121	2007-000171	R-CHIP;0ohm,5%,1/16W,TP,1005	1	S.A	
...4	R4140	2007-000171	R-CHIP;0ohm,5%,1/16W,TP,1005	1	S.A	
...4	R4143	2007-000171	R-CHIP;0ohm,5%,1/16W,TP,1005	1	S.A	
...4	R4144	2007-000171	R-CHIP;0ohm,5%,1/16W,TP,1005	1	S.A	
...4	R4176	2007-000171	R-CHIP;0ohm,5%,1/16W,TP,1005	1	S.A	
...4	R4179	2007-000171	R-CHIP;0ohm,5%,1/16W,TP,1005	1	S.A	
...4	R4180	2007-000171	R-CHIP;0ohm,5%,1/16W,TP,1005	1	S.A	
...4	R4181	2007-000171	R-CHIP;0ohm,5%,1/16W,TP,1005	1	S.A	
...4	R4205	2007-000171	R-CHIP;0ohm,5%,1/16W,TP,1005	1	S.A	
...4	R4220_T	2007-000171	R-CHIP;0ohm,5%,1/16W,TP,1005	1	S.A	
...4	R4221_T	2007-000171	R-CHIP;0ohm,5%,1/16W,TP,1005	1	S.A	
...4	R4222_T	2007-000171	R-CHIP;0ohm,5%,1/16W,TP,1005	1	S.A	
...4	R4223_T	2007-000171	R-CHIP;0ohm,5%,1/16W,TP,1005	1	S.A	
...4	R4224_T	2007-000171	R-CHIP;0ohm,5%,1/16W,TP,1005	1	S.A	
...4	R4225_T	2007-000171	R-CHIP;0ohm,5%,1/16W,TP,1005	1	S.A	
...4	R4226_T	2007-000171	R-CHIP;0ohm,5%,1/16W,TP,1005	1	S.A	
...4	R4227_T	2007-000171	R-CHIP;0ohm,5%,1/16W,TP,1005	1	S.A	
...4	R5020	2007-000171	R-CHIP;0ohm,5%,1/16W,TP,1005	1	S.A	
...4	R5023	2007-000171	R-CHIP;0ohm,5%,1/16W,TP,1005	1	S.A	
...4	R5024	2007-000171	R-CHIP;0ohm,5%,1/16W,TP,1005	1	S.A	
...4	R5030	2007-000171	R-CHIP;0ohm,5%,1/16W,TP,1005	1	S.A	
...4	R5032	2007-000171	R-CHIP;0ohm,5%,1/16W,TP,1005	1	S.A	
...4	R6022_T	2007-000171	R-CHIP;0ohm,5%,1/16W,TP,1005	1	S.A	
...4	R6023_T	2007-000171	R-CHIP;0ohm,5%,1/16W,TP,1005	1	S.A	
...4	R6024_T	2007-000171	R-CHIP;0ohm,5%,1/16W,TP,1005	1	S.A	
...4	R6026_T	2007-000171	R-CHIP;0ohm,5%,1/16W,TP,1005	1	S.A	
...4	R6030	2007-000171	R-CHIP;0ohm,5%,1/16W,TP,1005	1	S.A	
...4	R6042	2007-000171	R-CHIP;0ohm,5%,1/16W,TP,1005	1	S.A	
...4	R6047_100H	2007-000171	R-CHIP;0ohm,5%,1/16W,TP,1005	1	S.A	
...4	R6050_100H	2007-000171	R-CHIP;0ohm,5%,1/16W,TP,1005	1	S.A	
...4	R6051_100P	2007-000171	R-CHIP;0ohm,5%,1/16W,TP,1005	1	S.A	
...4	R6052_100P	2007-000171	R-CHIP;0ohm,5%,1/16W,TP,1005	1	S.A	
...4	R6053_100H	2007-000171	R-CHIP;0ohm,5%,1/16W,TP,1005	1	S.A	

## 5. Exploded View &amp; Part List

Level	Location No.	Code No.	Description & Specification	Q'ty	SA/SNA	Remark
...4	R6054_100H	2007-000171	R-CHIP;0ohm,5%,1/16W,TP,1005	1	S.A	
...4	R6056_FJDA	2007-000171	R-CHIP;0ohm,5%,1/16W,TP,1005	1	S.A	
...4	R6068_T	2007-000171	R-CHIP;0ohm,5%,1/16W,TP,1005	1	S.A	
...4	R6069_T	2007-000171	R-CHIP;0ohm,5%,1/16W,TP,1005	1	S.A	
...4	R6070_T	2007-000171	R-CHIP;0ohm,5%,1/16W,TP,1005	1	S.A	
...4	R6073_100H	2007-000171	R-CHIP;0ohm,5%,1/16W,TP,1005	1	S.A	
...4	R6074_100H	2007-000171	R-CHIP;0ohm,5%,1/16W,TP,1005	1	S.A	
...4	R6078_FBE3	2007-000171	R-CHIP;0ohm,5%,1/16W,TP,1005	1	S.A	
...4	R6083_100H	2007-000171	R-CHIP;0ohm,5%,1/16W,TP,1005	1	S.A	
...4	R6084_100H	2007-000171	R-CHIP;0ohm,5%,1/16W,TP,1005	1	S.A	
...4	R6133	2007-000171	R-CHIP;0ohm,5%,1/16W,TP,1005	1	S.A	
...4	R6204	2007-000171	R-CHIP;0ohm,5%,1/16W,TP,1005	1	S.A	
...4	R6205	2007-000171	R-CHIP;0ohm,5%,1/16W,TP,1005	1	S.A	
...4	R6206	2007-000171	R-CHIP;0ohm,5%,1/16W,TP,1005	1	S.A	
...4	R6207	2007-000171	R-CHIP;0ohm,5%,1/16W,TP,1005	1	S.A	
...4	R7029	2007-000171	R-CHIP;0ohm,5%,1/16W,TP,1005	1	S.A	
...4	R7031_T	2007-000171	R-CHIP;0ohm,5%,1/16W,TP,1005	1	S.A	
...4	R7043_T	2007-000171	R-CHIP;0ohm,5%,1/16W,TP,1005	1	S.A	
...4	R7044	2007-000171	R-CHIP;0ohm,5%,1/16W,TP,1005	1	S.A	
...4	R7096	2007-000171	R-CHIP;0ohm,5%,1/16W,TP,1005	1	S.A	
...4	R7097	2007-000171	R-CHIP;0ohm,5%,1/16W,TP,1005	1	S.A	
...4	R7114	2007-000171	R-CHIP;0ohm,5%,1/16W,TP,1005	1	S.A	
...4	R7115	2007-000171	R-CHIP;0ohm,5%,1/16W,TP,1005	1	S.A	
...4	R7243	2007-000171	R-CHIP;0ohm,5%,1/16W,TP,1005	1	S.A	
...4	R7244	2007-000171	R-CHIP;0ohm,5%,1/16W,TP,1005	1	S.A	
...4	R7247	2007-000171	R-CHIP;0ohm,5%,1/16W,TP,1005	1	S.A	
...4	R7249	2007-000171	R-CHIP;0ohm,5%,1/16W,TP,1005	1	S.A	
...4	R7250	2007-000171	R-CHIP;0ohm,5%,1/16W,TP,1005	1	S.A	
...4	R7251	2007-000171	R-CHIP;0ohm,5%,1/16W,TP,1005	1	S.A	
...4	R7273	2007-000171	R-CHIP;0ohm,5%,1/16W,TP,1005	1	S.A	
...4	R7282	2007-000171	R-CHIP;0ohm,5%,1/16W,TP,1005	1	S.A	
...4	R7313	2007-000171	R-CHIP;0ohm,5%,1/16W,TP,1005	1	S.A	
...4	R7318	2007-000171	R-CHIP;0ohm,5%,1/16W,TP,1005	1	S.A	
...4	R7339	2007-000171	R-CHIP;0ohm,5%,1/16W,TP,1005	1	S.A	
...4	R7343	2007-000171	R-CHIP;0ohm,5%,1/16W,TP,1005	1	S.A	
...4	R7344	2007-000171	R-CHIP;0ohm,5%,1/16W,TP,1005	1	S.A	
...4	R7345	2007-000171	R-CHIP;0ohm,5%,1/16W,TP,1005	1	S.A	
...4	R7347	2007-000171	R-CHIP;0ohm,5%,1/16W,TP,1005	1	S.A	
...4	R7389	2007-000171	R-CHIP;0ohm,5%,1/16W,TP,1005	1	S.A	
...4	R7390	2007-000171	R-CHIP;0ohm,5%,1/16W,TP,1005	1	S.A	
...4	R7392	2007-000171	R-CHIP;0ohm,5%,1/16W,TP,1005	1	S.A	
...4	R7401	2007-000171	R-CHIP;0ohm,5%,1/16W,TP,1005	1	S.A	
...4	R7406	2007-000171	R-CHIP;0ohm,5%,1/16W,TP,1005	1	S.A	
...4	R7407	2007-000171	R-CHIP;0ohm,5%,1/16W,TP,1005	1	S.A	
...4	R7410	2007-000171	R-CHIP;0ohm,5%,1/16W,TP,1005	1	S.A	
...4	R7411	2007-000171	R-CHIP;0ohm,5%,1/16W,TP,1005	1	S.A	
...4	R7412	2007-000171	R-CHIP;0ohm,5%,1/16W,TP,1005	1	S.A	
...4	R7421	2007-000171	R-CHIP;0ohm,5%,1/16W,TP,1005	1	S.A	
...4	R7422	2007-000171	R-CHIP;0ohm,5%,1/16W,TP,1005	1	S.A	
...4	R7423	2007-000171	R-CHIP;0ohm,5%,1/16W,TP,1005	1	S.A	
...4	R7424	2007-000171	R-CHIP;0ohm,5%,1/16W,TP,1005	1	S.A	

5. Exploded View & Part List

Level	Location No.	Code No.	Description & Specification	Q'ty	SA/SNA	Remark
...4	R7425	2007-000171	R-CHIP;0ohm,5%,1/16W,TP,1005	1	S.A	
...4	R7426	2007-000171	R-CHIP;0ohm,5%,1/16W,TP,1005	1	S.A	
...4	R7427	2007-000171	R-CHIP;0ohm,5%,1/16W,TP,1005	1	S.A	
...4	R7430	2007-000171	R-CHIP;0ohm,5%,1/16W,TP,1005	1	S.A	
...4	R7431	2007-000171	R-CHIP;0ohm,5%,1/16W,TP,1005	1	S.A	
...4	R7432	2007-000171	R-CHIP;0ohm,5%,1/16W,TP,1005	1	S.A	
...4	R7436	2007-000171	R-CHIP;0ohm,5%,1/16W,TP,1005	1	S.A	
...4	R9010	2007-000171	R-CHIP;0ohm,5%,1/16W,TP,1005	1	S.A	
...4	R9012	2007-000171	R-CHIP;0ohm,5%,1/16W,TP,1005	1	S.A	
...4	R9013	2007-000171	R-CHIP;0ohm,5%,1/16W,TP,1005	1	S.A	
...4	R9015	2007-000171	R-CHIP;0ohm,5%,1/16W,TP,1005	1	S.A	
...4	R9018	2007-000171	R-CHIP;0ohm,5%,1/16W,TP,1005	1	S.A	
...4	R9034	2007-000171	R-CHIP;0ohm,5%,1/16W,TP,1005	1	S.A	
...4	R9035	2007-000171	R-CHIP;0ohm,5%,1/16W,TP,1005	1	S.A	
...4	R9036	2007-000171	R-CHIP;0ohm,5%,1/16W,TP,1005	1	S.A	
...4	R9037	2007-000171	R-CHIP;0ohm,5%,1/16W,TP,1005	1	S.A	
...4	R9038	2007-000171	R-CHIP;0ohm,5%,1/16W,TP,1005	1	S.A	
...4	R9056	2007-000171	R-CHIP;0ohm,5%,1/16W,TP,1005	1	S.A	
...4	R9070	2007-000171	R-CHIP;0ohm,5%,1/16W,TP,1005	1	S.A	
...4	R9071	2007-000171	R-CHIP;0ohm,5%,1/16W,TP,1005	1	S.A	
...4	R9170	2007-000171	R-CHIP;0ohm,5%,1/16W,TP,1005	1	S.A	
...4	R9171	2007-000171	R-CHIP;0ohm,5%,1/16W,TP,1005	1	S.A	
...4	R9172	2007-000171	R-CHIP;0ohm,5%,1/16W,TP,1005	1	S.A	
...4	R9173	2007-000171	R-CHIP;0ohm,5%,1/16W,TP,1005	1	S.A	
...4	R9568	2007-000171	R-CHIP;0ohm,5%,1/16W,TP,1005	1	S.A	
...4	R1606	2007-000172	R-CHIP;10ohm,5%,1/16W,TP,1005	1	S.A	
...4	R3630	2007-000172	R-CHIP;10ohm,5%,1/16W,TP,1005	1	S.A	
...4	R3631	2007-000172	R-CHIP;10ohm,5%,1/16W,TP,1005	1	S.A	
...4	R3632	2007-000172	R-CHIP;10ohm,5%,1/16W,TP,1005	1	S.A	
...4	R3633	2007-000172	R-CHIP;10ohm,5%,1/16W,TP,1005	1	S.A	
...4	R3634	2007-000172	R-CHIP;10ohm,5%,1/16W,TP,1005	1	S.A	
...4	R3635	2007-000172	R-CHIP;10ohm,5%,1/16W,TP,1005	1	S.A	
...4	R3636	2007-000172	R-CHIP;10ohm,5%,1/16W,TP,1005	1	S.A	
...4	R3637	2007-000172	R-CHIP;10ohm,5%,1/16W,TP,1005	1	S.A	
...4	R4117	2007-000172	R-CHIP;10ohm,5%,1/16W,TP,1005	1	S.A	
...4	R5038	2007-000172	R-CHIP;10ohm,5%,1/16W,TP,1005	1	S.A	
...4	R5039	2007-000172	R-CHIP;10ohm,5%,1/16W,TP,1005	1	S.A	
...4	R9007	2007-000172	R-CHIP;10ohm,5%,1/16W,TP,1005	1	S.A	
...4	R9022	2007-000172	R-CHIP;10ohm,5%,1/16W,TP,1005	1	S.A	
...4	R9023	2007-000172	R-CHIP;10ohm,5%,1/16W,TP,1005	1	S.A	
...4	R9028	2007-000172	R-CHIP;10ohm,5%,1/16W,TP,1005	1	S.A	
...4	R9045	2007-000172	R-CHIP;10ohm,5%,1/16W,TP,1005	1	S.A	
...4	R3169	2007-000173	R-CHIP;22ohm,5%,1/16W,TP,1005	1	S.A	
...4	R3173	2007-000173	R-CHIP;22ohm,5%,1/16W,TP,1005	1	S.A	
...4	R4011	2007-000173	R-CHIP;22ohm,5%,1/16W,TP,1005	1	S.A	
...4	R4012	2007-000173	R-CHIP;22ohm,5%,1/16W,TP,1005	1	S.A	
...4	R4013	2007-000173	R-CHIP;22ohm,5%,1/16W,TP,1005	1	S.A	
...4	R4014	2007-000173	R-CHIP;22ohm,5%,1/16W,TP,1005	1	S.A	
...4	R6028	2007-000173	R-CHIP;22ohm,5%,1/16W,TP,1005	1	S.A	
...4	R7084	2007-000173	R-CHIP;22ohm,5%,1/16W,TP,1005	1	S.A	
...4	R7085	2007-000173	R-CHIP;22ohm,5%,1/16W,TP,1005	1	S.A	



## 5. Exploded View &amp; Part List

Level	Location No.	Code No.	Description & Specification	Q'ty	SA/SNA	Remark
....4	R7086	2007-000173	R-CHIP;22ohm,5%,1/16W,TP,1005	1	S.A	
....4	R7087	2007-000173	R-CHIP;22ohm,5%,1/16W,TP,1005	1	S.A	
....4	R7088	2007-000173	R-CHIP;22ohm,5%,1/16W,TP,1005	1	S.A	
....4	R7089	2007-000173	R-CHIP;22ohm,5%,1/16W,TP,1005	1	S.A	
....4	R7091	2007-000173	R-CHIP;22ohm,5%,1/16W,TP,1005	1	S.A	
....4	R7092	2007-000173	R-CHIP;22ohm,5%,1/16W,TP,1005	1	S.A	
....4	R7093	2007-000173	R-CHIP;22ohm,5%,1/16W,TP,1005	1	S.A	
....4	R7094	2007-000173	R-CHIP;22ohm,5%,1/16W,TP,1005	1	S.A	
....4	R7095	2007-000173	R-CHIP;22ohm,5%,1/16W,TP,1005	1	S.A	
....4	R7099	2007-000173	R-CHIP;22ohm,5%,1/16W,TP,1005	1	S.A	
....4	R7102	2007-000173	R-CHIP;22ohm,5%,1/16W,TP,1005	1	S.A	
....4	R7103	2007-000173	R-CHIP;22ohm,5%,1/16W,TP,1005	1	S.A	
....4	R7104	2007-000173	R-CHIP;22ohm,5%,1/16W,TP,1005	1	S.A	
....4	R7105	2007-000173	R-CHIP;22ohm,5%,1/16W,TP,1005	1	S.A	
....4	R7106	2007-000173	R-CHIP;22ohm,5%,1/16W,TP,1005	1	S.A	
....4	R7107	2007-000173	R-CHIP;22ohm,5%,1/16W,TP,1005	1	S.A	
....4	R7108	2007-000173	R-CHIP;22ohm,5%,1/16W,TP,1005	1	S.A	
....4	R7109	2007-000173	R-CHIP;22ohm,5%,1/16W,TP,1005	1	S.A	
....4	R7110	2007-000173	R-CHIP;22ohm,5%,1/16W,TP,1005	1	S.A	
....4	R7111	2007-000173	R-CHIP;22ohm,5%,1/16W,TP,1005	1	S.A	
....4	R7112	2007-000173	R-CHIP;22ohm,5%,1/16W,TP,1005	1	S.A	
....4	R7113	2007-000173	R-CHIP;22ohm,5%,1/16W,TP,1005	1	S.A	
....4	R2087	2007-000174	R-CHIP;47ohm,5%,1/16W,TP,1005	1	S.N.A	
....4	R2088	2007-000174	R-CHIP;47ohm,5%,1/16W,TP,1005	1	S.N.A	
....4	R3039	2007-000174	R-CHIP;47ohm,5%,1/16W,TP,1005	1	S.N.A	
....4	R3040	2007-000174	R-CHIP;47ohm,5%,1/16W,TP,1005	1	S.N.A	
....4	R3043	2007-000174	R-CHIP;47ohm,5%,1/16W,TP,1005	1	S.N.A	
....4	R3044	2007-000174	R-CHIP;47ohm,5%,1/16W,TP,1005	1	S.N.A	
....4	R3083	2007-000174	R-CHIP;47ohm,5%,1/16W,TP,1005	1	S.N.A	
....4	R3093	2007-000174	R-CHIP;47ohm,5%,1/16W,TP,1005	1	S.N.A	
....4	R3094	2007-000174	R-CHIP;47ohm,5%,1/16W,TP,1005	1	S.N.A	
....4	R3095	2007-000174	R-CHIP;47ohm,5%,1/16W,TP,1005	1	S.N.A	
....4	R3096	2007-000174	R-CHIP;47ohm,5%,1/16W,TP,1005	1	S.N.A	
....4	R3097	2007-000174	R-CHIP;47ohm,5%,1/16W,TP,1005	1	S.N.A	
....4	R3098	2007-000174	R-CHIP;47ohm,5%,1/16W,TP,1005	1	S.N.A	
....4	R3115	2007-000174	R-CHIP;47ohm,5%,1/16W,TP,1005	1	S.N.A	
....4	R3116	2007-000174	R-CHIP;47ohm,5%,1/16W,TP,1005	1	S.N.A	
....4	R3141	2007-000174	R-CHIP;47ohm,5%,1/16W,TP,1005	1	S.N.A	
....4	R3142	2007-000174	R-CHIP;47ohm,5%,1/16W,TP,1005	1	S.N.A	
....4	R3175	2007-000174	R-CHIP;47ohm,5%,1/16W,TP,1005	1	S.N.A	
....4	R3177	2007-000174	R-CHIP;47ohm,5%,1/16W,TP,1005	1	S.N.A	
....4	R3178	2007-000174	R-CHIP;47ohm,5%,1/16W,TP,1005	1	S.N.A	
....4	R3180	2007-000174	R-CHIP;47ohm,5%,1/16W,TP,1005	1	S.N.A	
....4	R3188	2007-000174	R-CHIP;47ohm,5%,1/16W,TP,1005	1	S.N.A	
....4	R3189	2007-000174	R-CHIP;47ohm,5%,1/16W,TP,1005	1	S.N.A	
....4	R3201_4HDM	2007-000174	R-CHIP;47ohm,5%,1/16W,TP,1005	1	S.N.A	
....4	R3202_4HDM	2007-000174	R-CHIP;47ohm,5%,1/16W,TP,1005	1	S.N.A	
....4	R3216	2007-000174	R-CHIP;47ohm,5%,1/16W,TP,1005	1	S.N.A	
....4	R3217	2007-000174	R-CHIP;47ohm,5%,1/16W,TP,1005	1	S.N.A	
....4	R3222	2007-000174	R-CHIP;47ohm,5%,1/16W,TP,1005	1	S.N.A	
....4	R3223	2007-000174	R-CHIP;47ohm,5%,1/16W,TP,1005	1	S.N.A	



## 5. Exploded View &amp; Part List

Level	Location No.	Code No.	Description & Specification	Q'ty	SA/SNA	Remark
....4	R7399	2007-000174	R-CHIP;47ohm,5%,1/16W,TP,1005	1	S.N.A	
....4	R7400	2007-000174	R-CHIP;47ohm,5%,1/16W,TP,1005	1	S.N.A	
....4	R7402	2007-000174	R-CHIP;47ohm,5%,1/16W,TP,1005	1	S.N.A	
....4	R7403	2007-000174	R-CHIP;47ohm,5%,1/16W,TP,1005	1	S.N.A	
....4	R7405	2007-000174	R-CHIP;47ohm,5%,1/16W,TP,1005	1	S.N.A	
....4	R7442	2007-000174	R-CHIP;47ohm,5%,1/16W,TP,1005	1	S.N.A	
....4	R3132	2007-000312	R-CHIP;10ohm,5%,1/4W,TP,3216	1	S.A	
....4	R3133	2007-000312	R-CHIP;10ohm,5%,1/4W,TP,3216	1	S.A	
....4	R4015_T	2007-000372	R-CHIP;130ohm,5%,1/10W,TP,1608	1	S.A	
....4	R4016_T	2007-000372	R-CHIP;130ohm,5%,1/10W,TP,1608	1	S.A	
....4	R4017_T	2007-000372	R-CHIP;130ohm,5%,1/10W,TP,1608	1	S.A	
....4	R2050	2007-000414	R-CHIP;15ohm,1%,1/10W,TP,1608	1	S.A	
....4	R3006	2007-000458	R-CHIP;18Kohm,5%,1/10W,TP,1608	1	S.A	
....4	R3058	2007-000458	R-CHIP;18Kohm,5%,1/10W,TP,1608	1	S.A	
....4	R1037	2007-000516	R-CHIP;2.7Kohm,1%,1/10W,TP,1608	1	S.A	
....4	R1108	2007-000516	R-CHIP;2.7Kohm,1%,1/10W,TP,1608	1	S.A	
....4	R1251	2007-000566	R-CHIP;220Kohm,5%,1/16W,TP,1005	1	S.N.A	
....4	R1254	2007-000566	R-CHIP;220Kohm,5%,1/16W,TP,1005	1	S.N.A	
....4	R1114	2007-000583	R-CHIP;22Kohm,1%,1/10W,TP,1608	1	S.A	
....4	R1031	2007-000591	R-CHIP;22ohm,1%,1/10W,TP,1608	1	S.A	
....4	R1029	2007-000606	R-CHIP;240ohm,1%,1/10W,TP,1608	1	S.A	
....4	R5041	2007-000606	R-CHIP;240ohm,1%,1/10W,TP,1608	1	S.A	
....4	R5042	2007-000606	R-CHIP;240ohm,1%,1/10W,TP,1608	1	S.A	
....4	R1038	2007-000683	R-CHIP;3.3Kohm,1%,1/10W,TP,1608	1	S.A	
....4	R3151_CEC	2007-000691	R-CHIP;3.3Mohm,5%,1/10W,TP,1608	1	S.A	
....4	R3022	2007-000736	R-CHIP;30Kohm,1%,1/10W,TP,1608	1	S.A	
....4	R3023	2007-000736	R-CHIP;30Kohm,1%,1/10W,TP,1608	1	S.A	
....4	R2017	2007-000775	R-CHIP;33Kohm,5%,1/16W,TP,1005	1	S.N.A	
....4	R2018	2007-000775	R-CHIP;33Kohm,5%,1/16W,TP,1005	1	S.N.A	
....4	R2019	2007-000775	R-CHIP;33Kohm,5%,1/16W,TP,1005	1	S.N.A	
....4	R2020	2007-000775	R-CHIP;33Kohm,5%,1/16W,TP,1005	1	S.N.A	
....4	R2021	2007-000775	R-CHIP;33Kohm,5%,1/16W,TP,1005	1	S.N.A	
....4	R2022	2007-000775	R-CHIP;33Kohm,5%,1/16W,TP,1005	1	S.N.A	
....4	R2023	2007-000775	R-CHIP;33Kohm,5%,1/16W,TP,1005	1	S.N.A	
....4	R2024	2007-000775	R-CHIP;33Kohm,5%,1/16W,TP,1005	1	S.N.A	
....4	R2025	2007-000775	R-CHIP;33Kohm,5%,1/16W,TP,1005	1	S.N.A	
....4	R2026	2007-000775	R-CHIP;33Kohm,5%,1/16W,TP,1005	1	S.N.A	
....4	R2027	2007-000775	R-CHIP;33Kohm,5%,1/16W,TP,1005	1	S.N.A	
....4	R2028	2007-000775	R-CHIP;33Kohm,5%,1/16W,TP,1005	1	S.N.A	
....4	R3021	2007-000775	R-CHIP;33Kohm,5%,1/16W,TP,1005	1	S.N.A	
....4	R3024	2007-000775	R-CHIP;33Kohm,5%,1/16W,TP,1005	1	S.N.A	
....4	R3050	2007-000775	R-CHIP;33Kohm,5%,1/16W,TP,1005	1	S.N.A	
....4	R3051	2007-000775	R-CHIP;33Kohm,5%,1/16W,TP,1005	1	S.N.A	
....4	R3052	2007-000775	R-CHIP;33Kohm,5%,1/16W,TP,1005	1	S.N.A	
....4	R3053	2007-000775	R-CHIP;33Kohm,5%,1/16W,TP,1005	1	S.N.A	
....4	R1120	2007-000828	R-CHIP;39Kohm,1%,1/10W,TP,1608	1	S.A	
....4	R6034	2007-000842	R-CHIP;3Kohm,1%,1/10W,TP,1608	1	S.A	
....4	R1305	2007-000932	R-CHIP;470ohm,5%,1/16W,TP,1005	1	S.N.A	
....4	R2001	2007-000932	R-CHIP;470ohm,5%,1/16W,TP,1005	1	S.N.A	
....4	R2016	2007-000932	R-CHIP;470ohm,5%,1/16W,TP,1005	1	S.N.A	
....4	R2036	2007-000932	R-CHIP;470ohm,5%,1/16W,TP,1005	1	S.N.A	

5. Exploded View & Part List

Level	Location No.	Code No.	Description & Specification	Q'ty	SA/SNA	Remark
...4	R2037	2007-000932	R-CHIP;470ohm,5%,1/16W,TP,1005	1	S.N.A	
...4	R3005	2007-000932	R-CHIP;470ohm,5%,1/16W,TP,1005	1	S.N.A	
...4	R3017	2007-000932	R-CHIP;470ohm,5%,1/16W,TP,1005	1	S.N.A	
...4	R3018	2007-000932	R-CHIP;470ohm,5%,1/16W,TP,1005	1	S.N.A	
...4	R3019	2007-000932	R-CHIP;470ohm,5%,1/16W,TP,1005	1	S.N.A	
...4	R3020	2007-000932	R-CHIP;470ohm,5%,1/16W,TP,1005	1	S.N.A	
...4	R6029	2007-000932	R-CHIP;470ohm,5%,1/16W,TP,1005	1	S.N.A	
...4	R9054	2007-000932	R-CHIP;470ohm,5%,1/16W,TP,1005	1	S.N.A	
...4	R9055	2007-000932	R-CHIP;470ohm,5%,1/16W,TP,1005	1	S.N.A	
...4	R1601	2007-000982	R-CHIP;5.6Kohm,5%,1/16W,TP,1005	1	S.A	
...4	R2053	2007-000987	R-CHIP;5.6ohm,5%,1/10W,TP,1608	1	S.A	
...4	R2054	2007-000987	R-CHIP;5.6ohm,5%,1/10W,TP,1608	1	S.A	
...4	R2055	2007-000987	R-CHIP;5.6ohm,5%,1/10W,TP,1608	1	S.A	
...4	R2056	2007-000987	R-CHIP;5.6ohm,5%,1/10W,TP,1608	1	S.A	
...4	R1028	2007-000999	R-CHIP;510ohm,1%,1/10W,TP,1608	1	S.A	
...4	R1302_NACH	2007-000999	R-CHIP;510ohm,1%,1/10W,TP,1608	1	S.A	
...4	R3170	2007-000999	R-CHIP;510ohm,1%,1/10W,TP,1608	1	S.A	
...4	R3171	2007-000999	R-CHIP;510ohm,1%,1/10W,TP,1608	1	S.A	
...4	R7409	2007-001044	R-CHIP;56ohm,5%,1/10W,TP,1608	1	S.A	
...4	R9069	2007-001044	R-CHIP;56ohm,5%,1/10W,TP,1608	1	S.A	
...4	R9074	2007-001044	R-CHIP;56ohm,5%,1/10W,TP,1608	1	S.A	
...4	R1110	2007-001068	R-CHIP;6.8Kohm,1%,1/10W,TP,1608	1	S.A	
...4	R3008	2007-001068	R-CHIP;6.8Kohm,1%,1/10W,TP,1608	1	S.A	
...4	R3063	2007-001068	R-CHIP;6.8Kohm,1%,1/10W,TP,1608	1	S.A	
...4	R3015	2007-001119	R-CHIP;680ohm,5%,1/16W,TP,1005	1	S.N.A	
...4	R1113	2007-001175	R-CHIP;8.2Kohm,1%,1/10W,TP,1608	1	S.A	
...4	R2006	2007-001292	R-CHIP;33ohm,5%,1/16W,TP,1005	1	S.N.A	
...4	R2007	2007-001292	R-CHIP;33ohm,5%,1/16W,TP,1005	1	S.N.A	
...4	R2008	2007-001292	R-CHIP;33ohm,5%,1/16W,TP,1005	1	S.N.A	
...4	R2009	2007-001292	R-CHIP;33ohm,5%,1/16W,TP,1005	1	S.N.A	
...4	R2010	2007-001292	R-CHIP;33ohm,5%,1/16W,TP,1005	1	S.N.A	
...4	R2011_NPX	2007-001292	R-CHIP;33ohm,5%,1/16W,TP,1005	1	S.N.A	
...4	R2012	2007-001292	R-CHIP;33ohm,5%,1/16W,TP,1005	1	S.N.A	
...4	R2040	2007-001292	R-CHIP;33ohm,5%,1/16W,TP,1005	1	S.N.A	
...4	R2045	2007-001292	R-CHIP;33ohm,5%,1/16W,TP,1005	1	S.N.A	
...4	R4010	2007-001292	R-CHIP;33ohm,5%,1/16W,TP,1005	1	S.N.A	
...4	R4065	2007-001292	R-CHIP;33ohm,5%,1/16W,TP,1005	1	S.N.A	
...4	R4070	2007-001292	R-CHIP;33ohm,5%,1/16W,TP,1005	1	S.N.A	
...4	R4094	2007-001292	R-CHIP;33ohm,5%,1/16W,TP,1005	1	S.N.A	
...4	R4096	2007-001292	R-CHIP;33ohm,5%,1/16W,TP,1005	1	S.N.A	
...4	R4097	2007-001292	R-CHIP;33ohm,5%,1/16W,TP,1005	1	S.N.A	
...4	R4102	2007-001292	R-CHIP;33ohm,5%,1/16W,TP,1005	1	S.N.A	
...4	R4138	2007-001292	R-CHIP;33ohm,5%,1/16W,TP,1005	1	S.N.A	
...4	R4139	2007-001292	R-CHIP;33ohm,5%,1/16W,TP,1005	1	S.N.A	
...4	R4141	2007-001292	R-CHIP;33ohm,5%,1/16W,TP,1005	1	S.N.A	
...4	R5015	2007-001292	R-CHIP;33ohm,5%,1/16W,TP,1005	1	S.N.A	
...4	R5016	2007-001292	R-CHIP;33ohm,5%,1/16W,TP,1005	1	S.N.A	
...4	R5040	2007-001292	R-CHIP;33ohm,5%,1/16W,TP,1005	1	S.N.A	
...4	R5044	2007-001292	R-CHIP;33ohm,5%,1/16W,TP,1005	1	S.N.A	
...4	R5045	2007-001292	R-CHIP;33ohm,5%,1/16W,TP,1005	1	S.N.A	
...4	R5046	2007-001292	R-CHIP;33ohm,5%,1/16W,TP,1005	1	S.N.A	

## 5. Exploded View &amp; Part List

Level	Location No.	Code No.	Description & Specification	Q'ty	SA/SNA	Remark
....4	R5047	2007-001292	R-CHIP;33ohm,5%,1/16W,TP,1005	1	S.N.A	
....4	R5048	2007-001292	R-CHIP;33ohm,5%,1/16W,TP,1005	1	S.N.A	
....4	R5049	2007-001292	R-CHIP;33ohm,5%,1/16W,TP,1005	1	S.N.A	
....4	R5050	2007-001292	R-CHIP;33ohm,5%,1/16W,TP,1005	1	S.N.A	
....4	R5051	2007-001292	R-CHIP;33ohm,5%,1/16W,TP,1005	1	S.N.A	
....4	R5052	2007-001292	R-CHIP;33ohm,5%,1/16W,TP,1005	1	S.N.A	
....4	R5053	2007-001292	R-CHIP;33ohm,5%,1/16W,TP,1005	1	S.N.A	
....4	R7280	2007-001292	R-CHIP;33ohm,5%,1/16W,TP,1005	1	S.N.A	
....4	R7030	2007-001305	R-CHIP;120ohm,5%,1/16W,TP,1005	1	S.N.A	
....4	R7045	2007-001305	R-CHIP;120ohm,5%,1/16W,TP,1005	1	S.N.A	
....4	R7067	2007-001305	R-CHIP;120ohm,5%,1/16W,TP,1005	1	S.N.A	
....4	R7071	2007-001305	R-CHIP;120ohm,5%,1/16W,TP,1005	1	S.N.A	
....4	R7368	2007-001308	R-CHIP;200ohm,5%,1/16W,TP,1005	1	S.N.A	
....4	R7369	2007-001308	R-CHIP;200ohm,5%,1/16W,TP,1005	1	S.N.A	
....4	R1015	2007-001313	R-CHIP;330ohm,5%,1/16W,TP,1005	1	S.N.A	
....4	R4081	2007-001313	R-CHIP;330ohm,5%,1/16W,TP,1005	1	S.N.A	
....4	R4085	2007-001313	R-CHIP;330ohm,5%,1/16W,TP,1005	1	S.N.A	
....4	R5102	2007-001313	R-CHIP;330ohm,5%,1/16W,TP,1005	1	S.N.A	
....4	R7242	2007-001313	R-CHIP;330ohm,5%,1/16W,TP,1005	1	S.N.A	
....4	R9030	2007-001313	R-CHIP;330ohm,5%,1/16W,TP,1005	1	S.N.A	
....4	R9072	2007-001313	R-CHIP;330ohm,5%,1/16W,TP,1005	1	S.N.A	
....4	R2031	2007-001325	R-CHIP;3.3Kohm,5%,1/16W,TP,1005	1	S.N.A	
....4	R2048	2007-001325	R-CHIP;3.3Kohm,5%,1/16W,TP,1005	1	S.N.A	
....4	R2059	2007-001325	R-CHIP;3.3Kohm,5%,1/16W,TP,1005	1	S.N.A	
....4	R6032	2007-001325	R-CHIP;3.3Kohm,5%,1/16W,TP,1005	1	S.N.A	
....4	R7333	2007-001325	R-CHIP;3.3Kohm,5%,1/16W,TP,1005	1	S.N.A	
....4	R7335	2007-001325	R-CHIP;3.3Kohm,5%,1/16W,TP,1005	1	S.N.A	
....4	R7358	2007-001325	R-CHIP;3.3Kohm,5%,1/16W,TP,1005	1	S.N.A	
....4	R7408	2007-001325	R-CHIP;3.3Kohm,5%,1/16W,TP,1005	1	S.N.A	
....4	R1131	2007-002425	R-CHIP;1ohm,5%,1/10W,TP,1608	1	S.A	
....4	R1134_NACH	2007-002425	R-CHIP;1ohm,5%,1/10W,TP,1608	1	S.A	
....4	R1135_FAN	2007-002425	R-CHIP;1ohm,5%,1/10W,TP,1608	1	S.A	
....4	R1136	2007-002425	R-CHIP;1ohm,5%,1/10W,TP,1608	1	S.A	
....4	R1137	2007-002425	R-CHIP;1ohm,5%,1/10W,TP,1608	1	S.A	
....4	R1138	2007-002425	R-CHIP;1ohm,5%,1/10W,TP,1608	1	S.A	
....4	R5104	2007-002425	R-CHIP;1ohm,5%,1/10W,TP,1608	1	S.A	
....4	R5105	2007-002425	R-CHIP;1ohm,5%,1/10W,TP,1608	1	S.A	
....4	R1021	2007-007107	R-CHIP;100Kohm,1%,1/16W,TP,1005	1	S.N.A	
....4	R1256	2007-007107	R-CHIP;100Kohm,1%,1/16W,TP,1005	1	S.N.A	
....4	R5031	2007-007107	R-CHIP;100Kohm,1%,1/16W,TP,1005	1	S.N.A	
....4	R9033	2007-007107	R-CHIP;100Kohm,1%,1/16W,TP,1005	1	S.N.A	
....4	R9571	2007-007107	R-CHIP;100Kohm,1%,1/16W,TP,1005	1	S.N.A	
....4	R9572	2007-007107	R-CHIP;100Kohm,1%,1/16W,TP,1005	1	S.N.A	
....4	R9573	2007-007107	R-CHIP;100Kohm,1%,1/16W,TP,1005	1	S.N.A	
....4	R9574	2007-007107	R-CHIP;100Kohm,1%,1/16W,TP,1005	1	S.N.A	
....4	R9575	2007-007107	R-CHIP;100Kohm,1%,1/16W,TP,1005	1	S.N.A	
....4	R1602	2007-007136	R-CHIP;4.7Kohm,1%,1/16W,TP,1005	1	S.N.A	
....4	R1603	2007-007136	R-CHIP;4.7Kohm,1%,1/16W,TP,1005	1	S.N.A	
....4	R1604	2007-007136	R-CHIP;4.7Kohm,1%,1/16W,TP,1005	1	S.N.A	
....4	R1605	2007-007136	R-CHIP;4.7Kohm,1%,1/16W,TP,1005	1	S.N.A	
....4	R2068	2007-007136	R-CHIP;4.7Kohm,1%,1/16W,TP,1005	1	S.N.A	



5. Exploded View & Part List

Level	Location No.	Code No.	Description & Specification	Q'ty	SA/SNA	Remark
...4	R7139	2007-007136	R-CHIP;4.7Kohm,1%,1/16W,TP,1005	1	S.N.A	
...4	R4146	2007-007226	R-CHIP;49.9ohm,1%,1/10W,TP,1608	1	S.A	
...4	R7123	2007-007226	R-CHIP;49.9ohm,1%,1/10W,TP,1608	1	S.A	
...4	R9027	2007-007309	R-CHIP;12Kohm,1%,1/16W,TP,1005	1	S.A	
...4	R1051	2007-007312	R-CHIP;20Kohm,1%,1/16W,TP,1005	1	S.A	
...4	R9032	2007-007316	R-CHIP;3.3Kohm,1%,1/16W,TP,1005	1	S.N.A	
...4	R1046	2007-007318	R-CHIP;1Kohm,1%,1/16W,TP,1005	1	S.N.A	
...4	R2046	2007-007318	R-CHIP;1Kohm,1%,1/16W,TP,1005	1	S.N.A	
...4	R4119	2007-007318	R-CHIP;1Kohm,1%,1/16W,TP,1005	1	S.N.A	
...4	R4120	2007-007318	R-CHIP;1Kohm,1%,1/16W,TP,1005	1	S.N.A	
...4	R1030	2007-007469	R-CHIP;110ohm,1%,1/16W,TP,1005	1	S.N.A	
...4	R5103	2007-007469	R-CHIP;110ohm,1%,1/16W,TP,1005	1	S.N.A	
...4	R1033	2007-007470	R-CHIP;7.5Kohm,1%,1/16W,TP,1005	1	S.N.A	
...4	R7413	2007-007470	R-CHIP;7.5Kohm,1%,1/16W,TP,1005	1	S.N.A	
...4	R7414	2007-007470	R-CHIP;7.5Kohm,1%,1/16W,TP,1005	1	S.N.A	
...4	R9031	2007-007528	R-CHIP;1.5Kohm,1%,1/16W,TP,1005	1	S.A	
...4	R3615	2007-007587	R-CHIP;3.6Kohm,1%,1/16W,TP,1005	1	S.N.A	
...4	R1048	2007-007698	R-CHIP;5.1Kohm,1%,1/16W,TP,1005	1	S.N.A	
...4	R4087	2007-007698	R-CHIP;5.1Kohm,1%,1/16W,TP,1005	1	S.N.A	
...4	R1115	2007-007723	R-CHIP;75Kohm,1%,1/10W,TP,1608	1	S.A	
...4	R9029	2007-007791	R-CHIP;9.1Kohm,1%,1/16W,TP,1005	1	S.N.A	
...4	R3001	2007-008015	R-CHIP;75ohm,1%,1/16W,TP,1005	1	S.N.A	
...4	R3003	2007-008015	R-CHIP;75ohm,1%,1/16W,TP,1005	1	S.N.A	
...4	R3007	2007-008015	R-CHIP;75ohm,1%,1/16W,TP,1005	1	S.N.A	
...4	R3031	2007-008015	R-CHIP;75ohm,1%,1/16W,TP,1005	1	S.N.A	
...4	R3032	2007-008015	R-CHIP;75ohm,1%,1/16W,TP,1005	1	S.N.A	
...4	R3033	2007-008015	R-CHIP;75ohm,1%,1/16W,TP,1005	1	S.N.A	
...4	R3046	2007-008015	R-CHIP;75ohm,1%,1/16W,TP,1005	1	S.N.A	
...4	R3057	2007-008015	R-CHIP;75ohm,1%,1/16W,TP,1005	1	S.N.A	
...4	R3066	2007-008015	R-CHIP;75ohm,1%,1/16W,TP,1005	1	S.N.A	
...4	R3067	2007-008015	R-CHIP;75ohm,1%,1/16W,TP,1005	1	S.N.A	
...4	R3068	2007-008015	R-CHIP;75ohm,1%,1/16W,TP,1005	1	S.N.A	
...4	R3105_NSID	2007-008015	R-CHIP;75ohm,1%,1/16W,TP,1005	1	S.N.A	
...4	R3110	2007-008015	R-CHIP;75ohm,1%,1/16W,TP,1005	1	S.N.A	
...4	R3113	2007-008015	R-CHIP;75ohm,1%,1/16W,TP,1005	1	S.N.A	
...4	R3164	2007-008015	R-CHIP;75ohm,1%,1/16W,TP,1005	1	S.N.A	
...4	R3165	2007-008015	R-CHIP;75ohm,1%,1/16W,TP,1005	1	S.N.A	
...4	R3166	2007-008015	R-CHIP;75ohm,1%,1/16W,TP,1005	1	S.N.A	
...4	R5029	2007-008015	R-CHIP;75ohm,1%,1/16W,TP,1005	1	S.N.A	
...4	R9048	2007-008015	R-CHIP;75ohm,1%,1/16W,TP,1005	1	S.N.A	
...4	R9049	2007-008015	R-CHIP;75ohm,1%,1/16W,TP,1005	1	S.N.A	
...4	R9052	2007-008015	R-CHIP;75ohm,1%,1/16W,TP,1005	1	S.N.A	
...4	R9053	2007-008015	R-CHIP;75ohm,1%,1/16W,TP,1005	1	S.N.A	
...4	R9039	2007-008298	R-CHIP;49.9ohm,1%,1/16W,TP,1005	1	S.A	
...4	R9040	2007-008298	R-CHIP;49.9ohm,1%,1/16W,TP,1005	1	S.A	
...4	R9041	2007-008298	R-CHIP;49.9ohm,1%,1/16W,TP,1005	1	S.A	
...4	R9042	2007-008298	R-CHIP;49.9ohm,1%,1/16W,TP,1005	1	S.A	
...4	R3625	2007-008429	R-CHIP;499ohm,1%,1/16W,TP,1005	1	S.N.A	
...4	R2051	2007-008649	R-CHIP;220ohm,1%,1/16W,TP,1005	1	S.N.A	
...4	R3016	2007-008649	R-CHIP;220ohm,1%,1/16W,TP,1005	1	S.N.A	
...4	RA7002	2011-000002	R-NETWORK;22ohm,5%,1/16W,L,CHIP,8P,TP,32	1	S.A	



Level	Location No.	Code No.	Description & Specification	Q'ty	SA/SNA	Remark
....4	RA7003	2011-000002	R-NETWORK;22ohm,5%,1/16W,L,CHIP,8P,TP,32	1	S.A	
....4	RA7004	2011-000002	R-NETWORK;22ohm,5%,1/16W,L,CHIP,8P,TP,32	1	S.A	
....4	RA7005	2011-000002	R-NETWORK;22ohm,5%,1/16W,L,CHIP,8P,TP,32	1	S.A	
....4	RA7006	2011-000002	R-NETWORK;22ohm,5%,1/16W,L,CHIP,8P,TP,32	1	S.A	
....4	RA7007	2011-000002	R-NETWORK;22ohm,5%,1/16W,L,CHIP,8P,TP,32	1	S.A	
....4	RA7008	2011-000002	R-NETWORK;22ohm,5%,1/16W,L,CHIP,8P,TP,32	1	S.A	
....4	RA7009	2011-000002	R-NETWORK;22ohm,5%,1/16W,L,CHIP,8P,TP,32	1	S.A	
....4	RA7072	2011-000002	R-NETWORK;22ohm,5%,1/16W,L,CHIP,8P,TP,32	1	S.A	
....4	RA7073	2011-000002	R-NETWORK;22ohm,5%,1/16W,L,CHIP,8P,TP,32	1	S.A	
....4	RA7074	2011-000002	R-NETWORK;22ohm,5%,1/16W,L,CHIP,8P,TP,32	1	S.A	
....4	RA7075	2011-000002	R-NETWORK;22ohm,5%,1/16W,L,CHIP,8P,TP,32	1	S.A	
....4	RA7076	2011-000002	R-NETWORK;22ohm,5%,1/16W,L,CHIP,8P,TP,32	1	S.A	
....4	RA7077	2011-000002	R-NETWORK;22ohm,5%,1/16W,L,CHIP,8P,TP,32	1	S.A	
....4	RA7078	2011-000002	R-NETWORK;22ohm,5%,1/16W,L,CHIP,8P,TP,32	1	S.A	
....4	RA7079	2011-000002	R-NETWORK;22ohm,5%,1/16W,L,CHIP,8P,TP,32	1	S.A	
....4	RA7080	2011-000002	R-NETWORK;22ohm,5%,1/16W,L,CHIP,8P,TP,32	1	S.A	
....4	RA7081	2011-000002	R-NETWORK;22ohm,5%,1/16W,L,CHIP,8P,TP,32	1	S.A	
....4	RA7082	2011-000002	R-NETWORK;22ohm,5%,1/16W,L,CHIP,8P,TP,32	1	S.A	
....4	RA7083	2011-000002	R-NETWORK;22ohm,5%,1/16W,L,CHIP,8P,TP,32	1	S.A	
....4	RA7098	2011-000002	R-NETWORK;22ohm,5%,1/16W,L,CHIP,8P,TP,32	1	S.A	
....4	RA7099	2011-000002	R-NETWORK;22ohm,5%,1/16W,L,CHIP,8P,TP,32	1	S.A	
....4	RA7100	2011-000002	R-NETWORK;22ohm,5%,1/16W,L,CHIP,8P,TP,32	1	S.A	
....4	RA7101	2011-000002	R-NETWORK;22ohm,5%,1/16W,L,CHIP,8P,TP,32	1	S.A	
....4	RA4074	2011-000585	R-NETWORK;47ohm,5%,1/16W,L,CHIP,8P,TP,3.	1	S.A	
....4	RA4075	2011-000585	R-NETWORK;47ohm,5%,1/16W,L,CHIP,8P,TP,3.	1	S.A	
....4	RA4076	2011-000585	R-NETWORK;47ohm,5%,1/16W,L,CHIP,8P,TP,3.	1	S.A	
....4	RA4077	2011-000585	R-NETWORK;47ohm,5%,1/16W,L,CHIP,8P,TP,3.	1	S.A	
....4	RA4078	2011-000585	R-NETWORK;47ohm,5%,1/16W,L,CHIP,8P,TP,3.	1	S.A	
....4	RA4079	2011-000585	R-NETWORK;47ohm,5%,1/16W,L,CHIP,8P,TP,3.	1	S.A	
....4	RA7257	2011-000585	R-NETWORK;47ohm,5%,1/16W,L,CHIP,8P,TP,3.	1	S.A	
....4	RA7258	2011-000585	R-NETWORK;47ohm,5%,1/16W,L,CHIP,8P,TP,3.	1	S.A	
....4	RA7259	2011-000585	R-NETWORK;47ohm,5%,1/16W,L,CHIP,8P,TP,3.	1	S.A	
....4	RA7260	2011-000585	R-NETWORK;47ohm,5%,1/16W,L,CHIP,8P,TP,3.	1	S.A	
....4	RA7261	2011-000585	R-NETWORK;47ohm,5%,1/16W,L,CHIP,8P,TP,3.	1	S.A	
....4	RA7262	2011-000585	R-NETWORK;47ohm,5%,1/16W,L,CHIP,8P,TP,3.	1	S.A	
....4	RA7263	2011-000585	R-NETWORK;47ohm,5%,1/16W,L,CHIP,8P,TP,3.	1	S.A	
....4	RA7264	2011-000585	R-NETWORK;47ohm,5%,1/16W,L,CHIP,8P,TP,3.	1	S.A	
....4	RA7265	2011-000585	R-NETWORK;47ohm,5%,1/16W,L,CHIP,8P,TP,3.	1	S.A	
....4	RA3001	2011-000651	R-NETWORK;10ohm,5%,1/16W,L,CHIP,8P,TP,32	1	S.A	
....4	RA3002	2011-000651	R-NETWORK;10ohm,5%,1/16W,L,CHIP,8P,TP,32	1	S.A	
....4	RA7010	2011-000881	R-NETWORK;33ohm,5%,1/16W,L,CHIP,8P,TP,3.	1	S.A	
....4	RA7011	2011-000881	R-NETWORK;33ohm,5%,1/16W,L,CHIP,8P,TP,3.	1	S.A	
....4	RA7012	2011-000881	R-NETWORK;33ohm,5%,1/16W,L,CHIP,8P,TP,3.	1	S.A	
....4	RA7119	2011-000881	R-NETWORK;33ohm,5%,1/16W,L,CHIP,8P,TP,3.	1	S.A	
....4	RA7120	2011-000881	R-NETWORK;33ohm,5%,1/16W,L,CHIP,8P,TP,3.	1	S.A	
....4	RA7121	2011-000881	R-NETWORK;33ohm,5%,1/16W,L,CHIP,8P,TP,3.	1	S.A	
....4	RA3003	2011-001001	R-NETWORK;0ohm,5%,1/16W,L,CHIP,8P,TP,3.2	1	S.A	
....4	RA3004	2011-001001	R-NETWORK;0ohm,5%,1/16W,L,CHIP,8P,TP,3.2	1	S.A	
....4	RA3004_NSI	2011-001001	R-NETWORK;0ohm,5%,1/16W,L,CHIP,8P,TP,3.2	1	S.A	
....4	RA3005	2011-001001	R-NETWORK;0ohm,5%,1/16W,L,CHIP,8P,TP,3.2	1	S.A	
....4	RA3005_NSI	2011-001001	R-NETWORK;0ohm,5%,1/16W,L,CHIP,8P,TP,3.2	1	S.A	

5. Exploded View & Part List

Level	Location No.	Code No.	Description & Specification	Q'ty	SA/SNA	Remark
...4	RA3006	2011-001001	R-NETWORK;0ohm,5%,1/16W,L,CHIP,8P,TP,3.2	1	S.A	
...4	RA3007	2011-001001	R-NETWORK;0ohm,5%,1/16W,L,CHIP,8P,TP,3.2	1	S.A	
...4	RA3008	2011-001001	R-NETWORK;0ohm,5%,1/16W,L,CHIP,8P,TP,3.2	1	S.A	
...4	RA3009	2011-001001	R-NETWORK;0ohm,5%,1/16W,L,CHIP,8P,TP,3.2	1	S.A	
...4	RA3010_NSI	2011-001001	R-NETWORK;0ohm,5%,1/16W,L,CHIP,8P,TP,3.2	1	S.A	
...4	RA4001	2011-001001	R-NETWORK;0ohm,5%,1/16W,L,CHIP,8P,TP,3.2	1	S.A	
...4	RA4002	2011-001001	R-NETWORK;0ohm,5%,1/16W,L,CHIP,8P,TP,3.2	1	S.A	
...4	RA4003	2011-001001	R-NETWORK;0ohm,5%,1/16W,L,CHIP,8P,TP,3.2	1	S.A	
...4	RA4004	2011-001001	R-NETWORK;0ohm,5%,1/16W,L,CHIP,8P,TP,3.2	1	S.A	
...4	RA4005	2011-001001	R-NETWORK;0ohm,5%,1/16W,L,CHIP,8P,TP,3.2	1	S.A	
...4	RA6001	2011-001001	R-NETWORK;0ohm,5%,1/16W,L,CHIP,8P,TP,3.2	1	S.A	
...4	RA6058	2011-001001	R-NETWORK;0ohm,5%,1/16W,L,CHIP,8P,TP,3.2	1	S.A	
...4	RA6059	2011-001001	R-NETWORK;0ohm,5%,1/16W,L,CHIP,8P,TP,3.2	1	S.A	
...4	RA6060	2011-001001	R-NETWORK;0ohm,5%,1/16W,L,CHIP,8P,TP,3.2	1	S.A	
...4	RA6061	2011-001001	R-NETWORK;0ohm,5%,1/16W,L,CHIP,8P,TP,3.2	1	S.A	
...4	RA6062	2011-001001	R-NETWORK;0ohm,5%,1/16W,L,CHIP,8P,TP,3.2	1	S.A	
...4	RA6063	2011-001001	R-NETWORK;0ohm,5%,1/16W,L,CHIP,8P,TP,3.2	1	S.A	
...4	RA4143	2011-001093	R-NETWORK;100ohm,5%,1/16W,L,CHIP,8P,TP,3	1	S.A	
...4	RA4144	2011-001093	R-NETWORK;100ohm,5%,1/16W,L,CHIP,8P,TP,3	1	S.A	
...4	RA4145	2011-001093	R-NETWORK;100ohm,5%,1/16W,L,CHIP,8P,TP,3	1	S.A	
...4	RA4146	2011-001093	R-NETWORK;100ohm,5%,1/16W,L,CHIP,8P,TP,3	1	S.A	
...4	RA4147	2011-001093	R-NETWORK;100ohm,5%,1/16W,L,CHIP,8P,TP,3	1	S.A	
...4	RA4148	2011-001093	R-NETWORK;100ohm,5%,1/16W,L,CHIP,8P,TP,3	1	S.A	
...4	RA4153	2011-001093	R-NETWORK;100ohm,5%,1/16W,L,CHIP,8P,TP,3	1	S.A	
...4	RA7001	2011-001093	R-NETWORK;100ohm,5%,1/16W,L,CHIP,8P,TP,3	1	S.A	
...4	RA7013	2011-001093	R-NETWORK;100ohm,5%,1/16W,L,CHIP,8P,TP,3	1	S.A	
...4	RA7014	2011-001093	R-NETWORK;100ohm,5%,1/16W,L,CHIP,8P,TP,3	1	S.A	
...4	RA7015	2011-001093	R-NETWORK;100ohm,5%,1/16W,L,CHIP,8P,TP,3	1	S.A	
...4	RA7016	2011-001093	R-NETWORK;100ohm,5%,1/16W,L,CHIP,8P,TP,3	1	S.A	
...4	RA7017	2011-001093	R-NETWORK;100ohm,5%,1/16W,L,CHIP,8P,TP,3	1	S.A	
...4	RA7018	2011-001093	R-NETWORK;100ohm,5%,1/16W,L,CHIP,8P,TP,3	1	S.A	
...4	RA7019	2011-001093	R-NETWORK;100ohm,5%,1/16W,L,CHIP,8P,TP,3	1	S.A	
...4	RA7020	2011-001093	R-NETWORK;100ohm,5%,1/16W,L,CHIP,8P,TP,3	1	S.A	
...4	RA7032	2011-001093	R-NETWORK;100ohm,5%,1/16W,L,CHIP,8P,TP,3	1	S.A	
...4	RA7033	2011-001093	R-NETWORK;100ohm,5%,1/16W,L,CHIP,8P,TP,3	1	S.A	
...4	RA7034	2011-001093	R-NETWORK;100ohm,5%,1/16W,L,CHIP,8P,TP,3	1	S.A	
...4	RA7035	2011-001093	R-NETWORK;100ohm,5%,1/16W,L,CHIP,8P,TP,3	1	S.A	
...4	RA7036	2011-001093	R-NETWORK;100ohm,5%,1/16W,L,CHIP,8P,TP,3	1	S.A	
...4	RA7046	2011-001093	R-NETWORK;100ohm,5%,1/16W,L,CHIP,8P,TP,3	1	S.A	
...4	RA7047	2011-001093	R-NETWORK;100ohm,5%,1/16W,L,CHIP,8P,TP,3	1	S.A	
...4	RA7048	2011-001093	R-NETWORK;100ohm,5%,1/16W,L,CHIP,8P,TP,3	1	S.A	
...4	RA7049	2011-001093	R-NETWORK;100ohm,5%,1/16W,L,CHIP,8P,TP,3	1	S.A	
...4	RA7050	2011-001093	R-NETWORK;100ohm,5%,1/16W,L,CHIP,8P,TP,3	1	S.A	
...4	RA7051	2011-001093	R-NETWORK;100ohm,5%,1/16W,L,CHIP,8P,TP,3	1	S.A	
...4	RA7052	2011-001093	R-NETWORK;100ohm,5%,1/16W,L,CHIP,8P,TP,3	1	S.A	
...4	RA7053	2011-001093	R-NETWORK;100ohm,5%,1/16W,L,CHIP,8P,TP,3	1	S.A	
...4	RA7062	2011-001093	R-NETWORK;100ohm,5%,1/16W,L,CHIP,8P,TP,3	1	S.A	
...4	RA7063	2011-001093	R-NETWORK;100ohm,5%,1/16W,L,CHIP,8P,TP,3	1	S.A	
...4	RA7064	2011-001093	R-NETWORK;100ohm,5%,1/16W,L,CHIP,8P,TP,3	1	S.A	
...4	RA7065	2011-001093	R-NETWORK;100ohm,5%,1/16W,L,CHIP,8P,TP,3	1	S.A	
...4	C1088	2203-000125	C-CER,CHIP;1.2nF,10%,50V,X7R,TP,1608,-	1	S.A	

## 5. Exploded View &amp; Part List

Level	Location No.	Code No.	Description & Specification	Q'ty	SA/SNA	Remark
....4	C1098	2203-000125	C-CER,CHIP;1.2nF,10%,50V,X7R,TP,1608,-	1	S.A	
....4	C1082	2203-000189	C-CER,CHIP;100nF,+80-20%,25V,Y5V,1608	1	S.A	
....4	C1089	2203-000189	C-CER,CHIP;100nF,+80-20%,25V,Y5V,1608	1	S.A	
....4	C1091	2203-000189	C-CER,CHIP;100nF,+80-20%,25V,Y5V,1608	1	S.A	
....4	C1097	2203-000189	C-CER,CHIP;100nF,+80-20%,25V,Y5V,1608	1	S.A	
....4	C4151	2203-000189	C-CER,CHIP;100nF,+80-20%,25V,Y5V,1608	1	S.A	
....4	C2052	2203-000233	C-CER,CHIP;0.1nF,5%,50V,C0G,1005	1	S.A	
....4	C3003	2203-000233	C-CER,CHIP;0.1nF,5%,50V,C0G,1005	1	S.A	
....4	C3005	2203-000233	C-CER,CHIP;0.1nF,5%,50V,C0G,1005	1	S.A	
....4	C3013	2203-000233	C-CER,CHIP;0.1nF,5%,50V,C0G,1005	1	S.A	
....4	C3019	2203-000233	C-CER,CHIP;0.1nF,5%,50V,C0G,1005	1	S.A	
....4	C3021	2203-000233	C-CER,CHIP;0.1nF,5%,50V,C0G,1005	1	S.A	
....4	C3028	2203-000233	C-CER,CHIP;0.1nF,5%,50V,C0G,1005	1	S.A	
....4	C3029	2203-000233	C-CER,CHIP;0.1nF,5%,50V,C0G,1005	1	S.A	
....4	C3030	2203-000233	C-CER,CHIP;0.1nF,5%,50V,C0G,1005	1	S.A	
....4	C3073	2203-000233	C-CER,CHIP;0.1nF,5%,50V,C0G,1005	1	S.A	
....4	C7232	2203-000233	C-CER,CHIP;0.1nF,5%,50V,C0G,1005	1	S.A	
....4	C7234	2203-000233	C-CER,CHIP;0.1nF,5%,50V,C0G,1005	1	S.A	
....4	C1035	2203-000257	C-CER,CHIP;10nF,10%,50V,X7R,TP,1608	1	S.A	
....4	C1036	2203-000257	C-CER,CHIP;10nF,10%,50V,X7R,TP,1608	1	S.A	
....4	C1081	2203-000257	C-CER,CHIP;10nF,10%,50V,X7R,TP,1608	1	S.A	
....4	C1083	2203-000257	C-CER,CHIP;10nF,10%,50V,X7R,TP,1608	1	S.A	
....4	C4112	2203-000332	C-CER,CHIP;0.012nF,5%,50V,C0G,1608	1	S.A	
....4	C4113	2203-000332	C-CER,CHIP;0.012nF,5%,50V,C0G,1608	1	S.A	
....4	C3010	2203-000386	C-CER,CHIP;0.015nF,5%,50V,C0G,1005	1	S.A	
....4	C3011	2203-000386	C-CER,CHIP;0.015nF,5%,50V,C0G,1005	1	S.A	
....4	C3012	2203-000386	C-CER,CHIP;0.015nF,5%,50V,C0G,1005	1	S.A	
....4	C3022	2203-000386	C-CER,CHIP;0.015nF,5%,50V,C0G,1005	1	S.A	
....4	C3023	2203-000386	C-CER,CHIP;0.015nF,5%,50V,C0G,1005	1	S.A	
....4	C3024	2203-000386	C-CER,CHIP;0.015nF,5%,50V,C0G,1005	1	S.A	
....4	C1084	2203-000405	C-CER,CHIP;0.18nF,5%,50V,C0G,1608	1	S.A	
....4	C1092	2203-000405	C-CER,CHIP;0.18nF,5%,50V,C0G,1608	1	S.A	
....4	C1154	2203-000405	C-CER,CHIP;0.18nF,5%,50V,C0G,1608	1	S.A	
....4	C1157	2203-000405	C-CER,CHIP;0.18nF,5%,50V,C0G,1608	1	S.A	
....4	C4055_T	2203-000425	C-CER,CHIP;0.018nF,5%,50V,C0G,1005	1	S.A	
....4	C1512	2203-000438	C-CER,CHIP;1nF,10%,50V,X7R,1005	1	S.A	
....4	C2053	2203-000438	C-CER,CHIP;1nF,10%,50V,X7R,1005	1	S.A	
....4	C2069	2203-000438	C-CER,CHIP;1nF,10%,50V,X7R,1005	1	S.A	
....4	C2070	2203-000438	C-CER,CHIP;1nF,10%,50V,X7R,1005	1	S.A	
....4	C2071	2203-000438	C-CER,CHIP;1nF,10%,50V,X7R,1005	1	S.A	
....4	C2072	2203-000438	C-CER,CHIP;1nF,10%,50V,X7R,1005	1	S.A	
....4	C2073	2203-000438	C-CER,CHIP;1nF,10%,50V,X7R,1005	1	S.A	
....4	C3043_NSID	2203-000438	C-CER,CHIP;1nF,10%,50V,X7R,1005	1	S.A	
....4	C3047_NSID	2203-000438	C-CER,CHIP;1nF,10%,50V,X7R,1005	1	S.A	
....4	C3305_FAN	2203-000438	C-CER,CHIP;1nF,10%,50V,X7R,1005	1	S.A	
....4	C3306_FAN	2203-000438	C-CER,CHIP;1nF,10%,50V,X7R,1005	1	S.A	
....4	C3309_FAN	2203-000438	C-CER,CHIP;1nF,10%,50V,X7R,1005	1	S.A	
....4	C4045	2203-000438	C-CER,CHIP;1nF,10%,50V,X7R,1005	1	S.A	
....4	C4046	2203-000438	C-CER,CHIP;1nF,10%,50V,X7R,1005	1	S.A	
....4	C4051	2203-000438	C-CER,CHIP;1nF,10%,50V,X7R,1005	1	S.A	
....4	C4052	2203-000438	C-CER,CHIP;1nF,10%,50V,X7R,1005	1	S.A	

5. Exploded View & Part List

Level	Location No.	Code No.	Description & Specification	Q'ty	SA/SNA	Remark
...4	C4077	2203-000438	C-CER,CHIP;1nF,10%,50V,X7R,1005	1	S.A	
...4	C4078	2203-000438	C-CER,CHIP;1nF,10%,50V,X7R,1005	1	S.A	
...4	C4116	2203-000438	C-CER,CHIP;1nF,10%,50V,X7R,1005	1	S.A	
...4	C5030	2203-000438	C-CER,CHIP;1nF,10%,50V,X7R,1005	1	S.A	
...4	C6017	2203-000438	C-CER,CHIP;1nF,10%,50V,X7R,1005	1	S.A	
...4	C6018	2203-000438	C-CER,CHIP;1nF,10%,50V,X7R,1005	1	S.A	
...4	C1021	2203-000489	C-CER,CHIP;2.2nF,10%,50V,X7R,1005	1	S.A	
...4	C3002	2203-000489	C-CER,CHIP;2.2nF,10%,50V,X7R,1005	1	S.A	
...4	C3004	2203-000489	C-CER,CHIP;2.2nF,10%,50V,X7R,1005	1	S.A	
...4	C3018	2203-000489	C-CER,CHIP;2.2nF,10%,50V,X7R,1005	1	S.A	
...4	C3020	2203-000489	C-CER,CHIP;2.2nF,10%,50V,X7R,1005	1	S.A	
...4	C4103	2203-000550	C-CER,CHIP;0.02nF,5%,50V,C0G,1005	1	S.N.A	
...4	C4107	2203-000550	C-CER,CHIP;0.02nF,5%,50V,C0G,1005	1	S.N.A	
...4	C7246	2203-000550	C-CER,CHIP;0.02nF,5%,50V,C0G,1005	1	S.N.A	
...4	C7253	2203-000550	C-CER,CHIP;0.02nF,5%,50V,C0G,1005	1	S.N.A	
...4	C9010	2203-000550	C-CER,CHIP;0.02nF,5%,50V,C0G,1005	1	S.N.A	
...4	C9013	2203-000550	C-CER,CHIP;0.02nF,5%,50V,C0G,1005	1	S.N.A	
...4	C4100	2203-000627	C-CER,CHIP;0.022nF,5%,50V,C0G,1005	1	S.N.A	
...4	C1085	2203-000714	C-CER,CHIP;3.3nF,10%,50V,X7R,TP,1005,-	1	S.A	
...4	C3100_NSID	2203-000783	C-CER,CHIP;0.33nF,5%,50V,C0G,1608	1	S.A	
...4	C3008	2203-000812	C-CER,CHIP;.033nF,5%,50V,C0G,-,1005	1	S.A	
...4	C3009	2203-000812	C-CER,CHIP;.033nF,5%,50V,C0G,-,1005	1	S.A	
...4	C9008	2203-000815	C-CER,CHIP;0.033nF,5%,50V,C0G,1608	1	S.A	
...4	C9108	2203-000815	C-CER,CHIP;0.033nF,5%,50V,C0G,1608	1	S.A	
...4	C1162	2203-000925	C-CER,CHIP;470nF,+80-20%,50V,Y5V,2012	1	S.A	
...4	C1164	2203-000925	C-CER,CHIP;470nF,+80-20%,50V,Y5V,2012	1	S.A	
...4	C1201	2203-000925	C-CER,CHIP;470nF,+80-20%,50V,Y5V,2012	1	S.A	
...4	C1203	2203-000925	C-CER,CHIP;470nF,+80-20%,50V,Y5V,2012	1	S.A	
...4	C2074	2203-000925	C-CER,CHIP;470nF,+80-20%,50V,Y5V,2012	1	S.A	
...4	C2075	2203-000925	C-CER,CHIP;470nF,+80-20%,50V,Y5V,2012	1	S.A	
...4	C1101	2203-000975	C-CER,CHIP;47nF,10%,25V,X7R,TP,1608,-	1	S.A	
...4	C3001	2203-000995	C-CER,CHIP;0.047nF,5%,50V,C0G,1005	1	S.A	
...4	C3017	2203-000995	C-CER,CHIP;0.047nF,5%,50V,C0G,1005	1	S.A	
...4	C3049_NSID	2203-000995	C-CER,CHIP;0.047nF,5%,50V,C0G,1005	1	S.A	
...4	C4099	2203-000995	C-CER,CHIP;0.047nF,5%,50V,C0G,1005	1	S.A	
...4	C4101	2203-000995	C-CER,CHIP;0.047nF,5%,50V,C0G,1005	1	S.A	
...4	C5002	2203-000995	C-CER,CHIP;0.047nF,5%,50V,C0G,1005	1	S.A	
...4	C6041	2203-000995	C-CER,CHIP;0.047nF,5%,50V,C0G,1005	1	S.A	
...4	C6042	2203-000995	C-CER,CHIP;0.047nF,5%,50V,C0G,1005	1	S.A	
...4	C4059_T	2203-001153	C-CER,CHIP;0.068nF,5%,50V,NP0,1005	1	S.A	
...4	C4060_T	2203-001153	C-CER,CHIP;0.068nF,5%,50V,NP0,1005	1	S.A	
...4	C4061_T	2203-001153	C-CER,CHIP;0.068nF,5%,50V,NP0,1005	1	S.A	
...4	C4202	2203-001153	C-CER,CHIP;0.068nF,5%,50V,NP0,1005	1	S.A	
...4	C1003_NACH	2203-002285	C-CER,CHIP;10nF,10%,50V,X7R,1005	1	S.N.A	
...4	C1004	2203-002285	C-CER,CHIP;10nF,10%,50V,X7R,1005	1	S.N.A	
...4	C1009	2203-002285	C-CER,CHIP;10nF,10%,50V,X7R,1005	1	S.N.A	
...4	C1015	2203-002285	C-CER,CHIP;10nF,10%,50V,X7R,1005	1	S.N.A	
...4	C1018	2203-002285	C-CER,CHIP;10nF,10%,50V,X7R,1005	1	S.N.A	
...4	C1069	2203-002285	C-CER,CHIP;10nF,10%,50V,X7R,1005	1	S.N.A	
...4	C1070	2203-002285	C-CER,CHIP;10nF,10%,50V,X7R,1005	1	S.N.A	
...4	C1145	2203-002285	C-CER,CHIP;10nF,10%,50V,X7R,1005	1	S.N.A	

## 5. Exploded View &amp; Part List

Level	Location No.	Code No.	Description & Specification	Q'ty	SA/SNA	Remark
....4	C1147	2203-002285	C-CER,CHIP;10nF,10%,50V,X7R,1005	1	S.N.A	
....4	C1202	2203-002285	C-CER,CHIP;10nF,10%,50V,X7R,1005	1	S.N.A	
....4	C3037	2203-002285	C-CER,CHIP;10nF,10%,50V,X7R,1005	1	S.N.A	
....4	C3038	2203-002285	C-CER,CHIP;10nF,10%,50V,X7R,1005	1	S.N.A	
....4	C3039	2203-002285	C-CER,CHIP;10nF,10%,50V,X7R,1005	1	S.N.A	
....4	C3041	2203-002285	C-CER,CHIP;10nF,10%,50V,X7R,1005	1	S.N.A	
....4	C3042	2203-002285	C-CER,CHIP;10nF,10%,50V,X7R,1005	1	S.N.A	
....4	C3094	2203-002285	C-CER,CHIP;10nF,10%,50V,X7R,1005	1	S.N.A	
....4	C3095	2203-002285	C-CER,CHIP;10nF,10%,50V,X7R,1005	1	S.N.A	
....4	C3096	2203-002285	C-CER,CHIP;10nF,10%,50V,X7R,1005	1	S.N.A	
....4	C3097	2203-002285	C-CER,CHIP;10nF,10%,50V,X7R,1005	1	S.N.A	
....4	C3098	2203-002285	C-CER,CHIP;10nF,10%,50V,X7R,1005	1	S.N.A	
....4	C4030	2203-002285	C-CER,CHIP;10nF,10%,50V,X7R,1005	1	S.N.A	
....4	C4031	2203-002285	C-CER,CHIP;10nF,10%,50V,X7R,1005	1	S.N.A	
....4	C4039	2203-002285	C-CER,CHIP;10nF,10%,50V,X7R,1005	1	S.N.A	
....4	C4040	2203-002285	C-CER,CHIP;10nF,10%,50V,X7R,1005	1	S.N.A	
....4	C4041	2203-002285	C-CER,CHIP;10nF,10%,50V,X7R,1005	1	S.N.A	
....4	C4042	2203-002285	C-CER,CHIP;10nF,10%,50V,X7R,1005	1	S.N.A	
....4	C4043	2203-002285	C-CER,CHIP;10nF,10%,50V,X7R,1005	1	S.N.A	
....4	C4044	2203-002285	C-CER,CHIP;10nF,10%,50V,X7R,1005	1	S.N.A	
....4	C4047	2203-002285	C-CER,CHIP;10nF,10%,50V,X7R,1005	1	S.N.A	
....4	C4048	2203-002285	C-CER,CHIP;10nF,10%,50V,X7R,1005	1	S.N.A	
....4	C4049	2203-002285	C-CER,CHIP;10nF,10%,50V,X7R,1005	1	S.N.A	
....4	C4050	2203-002285	C-CER,CHIP;10nF,10%,50V,X7R,1005	1	S.N.A	
....4	C4053	2203-002285	C-CER,CHIP;10nF,10%,50V,X7R,1005	1	S.N.A	
....4	C4054	2203-002285	C-CER,CHIP;10nF,10%,50V,X7R,1005	1	S.N.A	
....4	C4058	2203-002285	C-CER,CHIP;10nF,10%,50V,X7R,1005	1	S.N.A	
....4	C4062	2203-002285	C-CER,CHIP;10nF,10%,50V,X7R,1005	1	S.N.A	
....4	C4067	2203-002285	C-CER,CHIP;10nF,10%,50V,X7R,1005	1	S.N.A	
....4	C4069	2203-002285	C-CER,CHIP;10nF,10%,50V,X7R,1005	1	S.N.A	
....4	C4071	2203-002285	C-CER,CHIP;10nF,10%,50V,X7R,1005	1	S.N.A	
....4	C4073	2203-002285	C-CER,CHIP;10nF,10%,50V,X7R,1005	1	S.N.A	
....4	C4074	2203-002285	C-CER,CHIP;10nF,10%,50V,X7R,1005	1	S.N.A	
....4	C4075	2203-002285	C-CER,CHIP;10nF,10%,50V,X7R,1005	1	S.N.A	
....4	C4088	2203-002285	C-CER,CHIP;10nF,10%,50V,X7R,1005	1	S.N.A	
....4	C4090	2203-002285	C-CER,CHIP;10nF,10%,50V,X7R,1005	1	S.N.A	
....4	C4092	2203-002285	C-CER,CHIP;10nF,10%,50V,X7R,1005	1	S.N.A	
....4	C4093	2203-002285	C-CER,CHIP;10nF,10%,50V,X7R,1005	1	S.N.A	
....4	C4095	2203-002285	C-CER,CHIP;10nF,10%,50V,X7R,1005	1	S.N.A	
....4	C4096	2203-002285	C-CER,CHIP;10nF,10%,50V,X7R,1005	1	S.N.A	
....4	C4097	2203-002285	C-CER,CHIP;10nF,10%,50V,X7R,1005	1	S.N.A	
....4	C4098	2203-002285	C-CER,CHIP;10nF,10%,50V,X7R,1005	1	S.N.A	
....4	C4114	2203-002285	C-CER,CHIP;10nF,10%,50V,X7R,1005	1	S.N.A	
....4	C4133	2203-002285	C-CER,CHIP;10nF,10%,50V,X7R,1005	1	S.N.A	
....4	C4134	2203-002285	C-CER,CHIP;10nF,10%,50V,X7R,1005	1	S.N.A	
....4	C4135	2203-002285	C-CER,CHIP;10nF,10%,50V,X7R,1005	1	S.N.A	
....4	C4142	2203-002285	C-CER,CHIP;10nF,10%,50V,X7R,1005	1	S.N.A	
....4	C4143	2203-002285	C-CER,CHIP;10nF,10%,50V,X7R,1005	1	S.N.A	
....4	C4144	2203-002285	C-CER,CHIP;10nF,10%,50V,X7R,1005	1	S.N.A	
....4	C4145	2203-002285	C-CER,CHIP;10nF,10%,50V,X7R,1005	1	S.N.A	
....4	C4146	2203-002285	C-CER,CHIP;10nF,10%,50V,X7R,1005	1	S.N.A	



5. Exploded View & Part List

Level	Location No.	Code No.	Description & Specification	Q'ty	SA/SNA	Remark
...4	C4147	2203-002285	C-CER,CHIP;10nF,10%,50V,X7R,1005	1	S.N.A	
...4	C5003	2203-002285	C-CER,CHIP;10nF,10%,50V,X7R,1005	1	S.N.A	
...4	C5005	2203-002285	C-CER,CHIP;10nF,10%,50V,X7R,1005	1	S.N.A	
...4	C5006	2203-002285	C-CER,CHIP;10nF,10%,50V,X7R,1005	1	S.N.A	
...4	C5008	2203-002285	C-CER,CHIP;10nF,10%,50V,X7R,1005	1	S.N.A	
...4	C5020	2203-002285	C-CER,CHIP;10nF,10%,50V,X7R,1005	1	S.N.A	
...4	C5041	2203-002285	C-CER,CHIP;10nF,10%,50V,X7R,1005	1	S.N.A	
...4	C5043	2203-002285	C-CER,CHIP;10nF,10%,50V,X7R,1005	1	S.N.A	
...4	C6004	2203-002285	C-CER,CHIP;10nF,10%,50V,X7R,1005	1	S.N.A	
...4	C6005	2203-002285	C-CER,CHIP;10nF,10%,50V,X7R,1005	1	S.N.A	
...4	C6007	2203-002285	C-CER,CHIP;10nF,10%,50V,X7R,1005	1	S.N.A	
...4	C6009	2203-002285	C-CER,CHIP;10nF,10%,50V,X7R,1005	1	S.N.A	
...4	C6010	2203-002285	C-CER,CHIP;10nF,10%,50V,X7R,1005	1	S.N.A	
...4	C6011	2203-002285	C-CER,CHIP;10nF,10%,50V,X7R,1005	1	S.N.A	
...4	C6013	2203-002285	C-CER,CHIP;10nF,10%,50V,X7R,1005	1	S.N.A	
...4	C6014	2203-002285	C-CER,CHIP;10nF,10%,50V,X7R,1005	1	S.N.A	
...4	C6015	2203-002285	C-CER,CHIP;10nF,10%,50V,X7R,1005	1	S.N.A	
...4	C6016	2203-002285	C-CER,CHIP;10nF,10%,50V,X7R,1005	1	S.N.A	
...4	C6050	2203-002285	C-CER,CHIP;10nF,10%,50V,X7R,1005	1	S.N.A	
...4	C7029	2203-002285	C-CER,CHIP;10nF,10%,50V,X7R,1005	1	S.N.A	
...4	C7035	2203-002285	C-CER,CHIP;10nF,10%,50V,X7R,1005	1	S.N.A	
...4	C7059	2203-002285	C-CER,CHIP;10nF,10%,50V,X7R,1005	1	S.N.A	
...4	C7060	2203-002285	C-CER,CHIP;10nF,10%,50V,X7R,1005	1	S.N.A	
...4	C7061	2203-002285	C-CER,CHIP;10nF,10%,50V,X7R,1005	1	S.N.A	
...4	C7062	2203-002285	C-CER,CHIP;10nF,10%,50V,X7R,1005	1	S.N.A	
...4	C7063	2203-002285	C-CER,CHIP;10nF,10%,50V,X7R,1005	1	S.N.A	
...4	C7064	2203-002285	C-CER,CHIP;10nF,10%,50V,X7R,1005	1	S.N.A	
...4	C7065	2203-002285	C-CER,CHIP;10nF,10%,50V,X7R,1005	1	S.N.A	
...4	C7067	2203-002285	C-CER,CHIP;10nF,10%,50V,X7R,1005	1	S.N.A	
...4	C7068	2203-002285	C-CER,CHIP;10nF,10%,50V,X7R,1005	1	S.N.A	
...4	C7070	2203-002285	C-CER,CHIP;10nF,10%,50V,X7R,1005	1	S.N.A	
...4	C7097	2203-002285	C-CER,CHIP;10nF,10%,50V,X7R,1005	1	S.N.A	
...4	C7098	2203-002285	C-CER,CHIP;10nF,10%,50V,X7R,1005	1	S.N.A	
...4	C7099	2203-002285	C-CER,CHIP;10nF,10%,50V,X7R,1005	1	S.N.A	
...4	C7100	2203-002285	C-CER,CHIP;10nF,10%,50V,X7R,1005	1	S.N.A	
...4	C7101	2203-002285	C-CER,CHIP;10nF,10%,50V,X7R,1005	1	S.N.A	
...4	C7102	2203-002285	C-CER,CHIP;10nF,10%,50V,X7R,1005	1	S.N.A	
...4	C7103	2203-002285	C-CER,CHIP;10nF,10%,50V,X7R,1005	1	S.N.A	
...4	C7104	2203-002285	C-CER,CHIP;10nF,10%,50V,X7R,1005	1	S.N.A	
...4	C7105	2203-002285	C-CER,CHIP;10nF,10%,50V,X7R,1005	1	S.N.A	
...4	C7106	2203-002285	C-CER,CHIP;10nF,10%,50V,X7R,1005	1	S.N.A	
...4	C7107	2203-002285	C-CER,CHIP;10nF,10%,50V,X7R,1005	1	S.N.A	
...4	C7108	2203-002285	C-CER,CHIP;10nF,10%,50V,X7R,1005	1	S.N.A	
...4	C7115	2203-002285	C-CER,CHIP;10nF,10%,50V,X7R,1005	1	S.N.A	
...4	C7116	2203-002285	C-CER,CHIP;10nF,10%,50V,X7R,1005	1	S.N.A	
...4	C7117	2203-002285	C-CER,CHIP;10nF,10%,50V,X7R,1005	1	S.N.A	
...4	C7118	2203-002285	C-CER,CHIP;10nF,10%,50V,X7R,1005	1	S.N.A	
...4	C7161	2203-002285	C-CER,CHIP;10nF,10%,50V,X7R,1005	1	S.N.A	
...4	C7162	2203-002285	C-CER,CHIP;10nF,10%,50V,X7R,1005	1	S.N.A	
...4	C7163	2203-002285	C-CER,CHIP;10nF,10%,50V,X7R,1005	1	S.N.A	
...4	C7164	2203-002285	C-CER,CHIP;10nF,10%,50V,X7R,1005	1	S.N.A	



## 5. Exploded View &amp; Part List

Level	Location No.	Code No.	Description & Specification	Q'ty	SA/SNA	Remark
....4	C7165	2203-002285	C-CER,CHIP;10nF,10%,50V,X7R,1005	1	S.N.A	
....4	C7166	2203-002285	C-CER,CHIP;10nF,10%,50V,X7R,1005	1	S.N.A	
....4	C7167	2203-002285	C-CER,CHIP;10nF,10%,50V,X7R,1005	1	S.N.A	
....4	C7169	2203-002285	C-CER,CHIP;10nF,10%,50V,X7R,1005	1	S.N.A	
....4	C7170	2203-002285	C-CER,CHIP;10nF,10%,50V,X7R,1005	1	S.N.A	
....4	C7171	2203-002285	C-CER,CHIP;10nF,10%,50V,X7R,1005	1	S.N.A	
....4	C7172	2203-002285	C-CER,CHIP;10nF,10%,50V,X7R,1005	1	S.N.A	
....4	C7173	2203-002285	C-CER,CHIP;10nF,10%,50V,X7R,1005	1	S.N.A	
....4	C7174	2203-002285	C-CER,CHIP;10nF,10%,50V,X7R,1005	1	S.N.A	
....4	C7175	2203-002285	C-CER,CHIP;10nF,10%,50V,X7R,1005	1	S.N.A	
....4	C7176	2203-002285	C-CER,CHIP;10nF,10%,50V,X7R,1005	1	S.N.A	
....4	C7178	2203-002285	C-CER,CHIP;10nF,10%,50V,X7R,1005	1	S.N.A	
....4	C7179	2203-002285	C-CER,CHIP;10nF,10%,50V,X7R,1005	1	S.N.A	
....4	C7180	2203-002285	C-CER,CHIP;10nF,10%,50V,X7R,1005	1	S.N.A	
....4	C7181	2203-002285	C-CER,CHIP;10nF,10%,50V,X7R,1005	1	S.N.A	
....4	C7182	2203-002285	C-CER,CHIP;10nF,10%,50V,X7R,1005	1	S.N.A	
....4	C7183	2203-002285	C-CER,CHIP;10nF,10%,50V,X7R,1005	1	S.N.A	
....4	C7184	2203-002285	C-CER,CHIP;10nF,10%,50V,X7R,1005	1	S.N.A	
....4	C7185	2203-002285	C-CER,CHIP;10nF,10%,50V,X7R,1005	1	S.N.A	
....4	C7209	2203-002285	C-CER,CHIP;10nF,10%,50V,X7R,1005	1	S.N.A	
....4	C7210	2203-002285	C-CER,CHIP;10nF,10%,50V,X7R,1005	1	S.N.A	
....4	C7212	2203-002285	C-CER,CHIP;10nF,10%,50V,X7R,1005	1	S.N.A	
....4	C7224	2203-002285	C-CER,CHIP;10nF,10%,50V,X7R,1005	1	S.N.A	
....4	C7225	2203-002285	C-CER,CHIP;10nF,10%,50V,X7R,1005	1	S.N.A	
....4	C7237	2203-002285	C-CER,CHIP;10nF,10%,50V,X7R,1005	1	S.N.A	
....4	C7240	2203-002285	C-CER,CHIP;10nF,10%,50V,X7R,1005	1	S.N.A	
....4	C7241	2203-002285	C-CER,CHIP;10nF,10%,50V,X7R,1005	1	S.N.A	
....4	C7242	2203-002285	C-CER,CHIP;10nF,10%,50V,X7R,1005	1	S.N.A	
....4	C7243	2203-002285	C-CER,CHIP;10nF,10%,50V,X7R,1005	1	S.N.A	
....4	C7245	2203-002285	C-CER,CHIP;10nF,10%,50V,X7R,1005	1	S.N.A	
....4	C7247	2203-002285	C-CER,CHIP;10nF,10%,50V,X7R,1005	1	S.N.A	
....4	C7248	2203-002285	C-CER,CHIP;10nF,10%,50V,X7R,1005	1	S.N.A	
....4	C7249	2203-002285	C-CER,CHIP;10nF,10%,50V,X7R,1005	1	S.N.A	
....4	C7250	2203-002285	C-CER,CHIP;10nF,10%,50V,X7R,1005	1	S.N.A	
....4	C7251	2203-002285	C-CER,CHIP;10nF,10%,50V,X7R,1005	1	S.N.A	
....4	C7274	2203-002285	C-CER,CHIP;10nF,10%,50V,X7R,1005	1	S.N.A	
....4	C7275	2203-002285	C-CER,CHIP;10nF,10%,50V,X7R,1005	1	S.N.A	
....4	C9024	2203-002285	C-CER,CHIP;10nF,10%,50V,X7R,1005	1	S.N.A	
....4	C2056	2203-002398	C-CER,CHIP;22nF,10%,50V,X7R,1608	1	S.A	
....4	C2060	2203-002398	C-CER,CHIP;22nF,10%,50V,X7R,1608	1	S.A	
....4	C2061	2203-002398	C-CER,CHIP;22nF,10%,50V,X7R,1608	1	S.A	
....4	C2068	2203-002398	C-CER,CHIP;22nF,10%,50V,X7R,1608	1	S.A	
....4	C9026	2203-002398	C-CER,CHIP;22nF,10%,50V,X7R,1608	1	S.A	
....4	C5012	2203-002494	C-CER,CHIP;470nF,10%,16V,X7R,2012	1	S.A	
....4	C1096	2203-002519	C-CER,CHIP;5.6nF,10%,50V,X7R,TP,1005	1	S.N.A	
....4	C1158	2203-002519	C-CER,CHIP;5.6nF,10%,50V,X7R,TP,1005	1	S.N.A	
....4	C1160	2203-002519	C-CER,CHIP;5.6nF,10%,50V,X7R,TP,1005	1	S.N.A	
....4	C1161	2203-002687	C-CER,CHIP;1.2nF,10%,50V,X7R,TP,1005	1	S.A	
....4	C1513	2203-002687	C-CER,CHIP;1.2nF,10%,50V,X7R,TP,1005	1	S.A	
....4	C2084	2203-002687	C-CER,CHIP;1.2nF,10%,50V,X7R,TP,1005	1	S.A	
....4	C2085	2203-002687	C-CER,CHIP;1.2nF,10%,50V,X7R,TP,1005	1	S.A	

5. Exploded View & Part List

Level	Location No.	Code No.	Description & Specification	Q'ty	SA/SNA	Remark
...4	C2086	2203-002687	C-CER,CHIP;1.2nF,10%,50V,X7R,TP,1005	1	S.A	
...4	C2087	2203-002687	C-CER,CHIP;1.2nF,10%,50V,X7R,TP,1005	1	S.A	
...4	C3090	2203-002793	C-CER,CHIP;1000nF,+80-20%,25V,Y5V,2012	1	S.A	
...4	C3091	2203-002793	C-CER,CHIP;1000nF,+80-20%,25V,Y5V,2012	1	S.A	
...4	C3092	2203-002793	C-CER,CHIP;1000nF,+80-20%,25V,Y5V,2012	1	S.A	
...4	C3093_4HDM	2203-002793	C-CER,CHIP;1000nF,+80-20%,25V,Y5V,2012	1	S.A	
...4	C3068	2203-005054	C-CER,CHIP;0.0047nF,0.25pF,50V,NP0,1005	1	S.A	
...4	C3069	2203-005054	C-CER,CHIP;0.0047nF,0.25pF,50V,NP0,1005	1	S.A	
...4	C3070	2203-005054	C-CER,CHIP;0.0047nF,0.25pF,50V,NP0,1005	1	S.A	
...4	C3401	2203-005065	C-CER,CHIP;1000nF,+80-20%,10V,Y5V,1608	1	S.A	
...4	C1030	2203-005249	C-CER,CHIP;100nF,10%,50V,X7R,1608	1	S.A	
...4	C2058	2203-005249	C-CER,CHIP;100nF,10%,50V,X7R,1608	1	S.A	
...4	C2067	2203-005249	C-CER,CHIP;100nF,10%,50V,X7R,1608	1	S.A	
...4	C2076	2203-005249	C-CER,CHIP;100nF,10%,50V,X7R,1608	1	S.A	
...4	C2077	2203-005249	C-CER,CHIP;100nF,10%,50V,X7R,1608	1	S.A	
...4	C2078	2203-005249	C-CER,CHIP;100nF,10%,50V,X7R,1608	1	S.A	
...4	C2079	2203-005249	C-CER,CHIP;100nF,10%,50V,X7R,1608	1	S.A	
...4	C2080	2203-005249	C-CER,CHIP;100nF,10%,50V,X7R,1608	1	S.A	
...4	C2081	2203-005249	C-CER,CHIP;100nF,10%,50V,X7R,1608	1	S.A	
...4	C2082	2203-005249	C-CER,CHIP;100nF,10%,50V,X7R,1608	1	S.A	
...4	C2083	2203-005249	C-CER,CHIP;100nF,10%,50V,X7R,1608	1	S.A	
...4	C2089	2203-005249	C-CER,CHIP;100nF,10%,50V,X7R,1608	1	S.A	
...4	C2090	2203-005249	C-CER,CHIP;100nF,10%,50V,X7R,1608	1	S.A	
...4	C5018	2203-005249	C-CER,CHIP;100nF,10%,50V,X7R,1608	1	S.A	
...4	C5042	2203-005249	C-CER,CHIP;100nF,10%,50V,X7R,1608	1	S.A	
...4	C5044	2203-005249	C-CER,CHIP;100nF,10%,50V,X7R,1608	1	S.A	
...4	C3071	2203-005393	C-CER,CHIP;0.005nF,0.1pF,50V,NP0,TP,1005	1	S.N.A	
...4	C3072	2203-005393	C-CER,CHIP;0.005nF,0.1pF,50V,NP0,TP,1005	1	S.N.A	
...4	C1028	2203-005642	C-CER,CHIP;0.22nF,5%,50V,NP0,1005	1	S.N.A	
...4	C4056_T	2203-005642	C-CER,CHIP;0.22nF,5%,50V,NP0,1005	1	S.N.A	
...4	C4057_T	2203-005642	C-CER,CHIP;0.22nF,5%,50V,NP0,1005	1	S.N.A	
...4	C4063_T	2203-005642	C-CER,CHIP;0.22nF,5%,50V,NP0,1005	1	S.N.A	
...4	C4064_T	2203-005642	C-CER,CHIP;0.22nF,5%,50V,NP0,1005	1	S.N.A	
...4	C4065_T	2203-005642	C-CER,CHIP;0.22nF,5%,50V,NP0,1005	1	S.N.A	
...4	C1053	2203-005834	C-CER,CHIP;2200nF,+80-20%,10V,Y5V,3216	1	S.A	
...4	C1057	2203-005834	C-CER,CHIP;2200nF,+80-20%,10V,Y5V,3216	1	S.A	
...4	C1094	2203-005834	C-CER,CHIP;2200nF,+80-20%,10V,Y5V,3216	1	S.A	
...4	C1102	2203-005834	C-CER,CHIP;2200nF,+80-20%,10V,Y5V,3216	1	S.A	
...4	C1152	2203-005834	C-CER,CHIP;2200nF,+80-20%,10V,Y5V,3216	1	S.A	
...4	C1163	2203-005834	C-CER,CHIP;2200nF,+80-20%,10V,Y5V,3216	1	S.A	
...4	C1169	2203-005834	C-CER,CHIP;2200nF,+80-20%,10V,Y5V,3216	1	S.A	
...4	C1190	2203-005834	C-CER,CHIP;2200nF,+80-20%,10V,Y5V,3216	1	S.A	
...4	C1191	2203-005834	C-CER,CHIP;2200nF,+80-20%,10V,Y5V,3216	1	S.A	
...4	C1192	2203-005834	C-CER,CHIP;2200nF,+80-20%,10V,Y5V,3216	1	S.A	
...4	C1193	2203-005834	C-CER,CHIP;2200nF,+80-20%,10V,Y5V,3216	1	S.A	
...4	C5013	2203-005834	C-CER,CHIP;2200nF,+80-20%,10V,Y5V,3216	1	S.A	
...4	C1029	2203-005968	C-CER,CHIP;4.7NF,10%,50V,X7R,TP,1005	1	S.N.A	
...4	C2022	2203-005968	C-CER,CHIP;4.7NF,10%,50V,X7R,TP,1005	1	S.N.A	
...4	C2025	2203-005968	C-CER,CHIP;4.7NF,10%,50V,X7R,TP,1005	1	S.N.A	
...4	C3040	2203-005968	C-CER,CHIP;4.7NF,10%,50V,X7R,TP,1005	1	S.N.A	
...4	C4094	2203-005968	C-CER,CHIP;4.7NF,10%,50V,X7R,TP,1005	1	S.N.A	

## 5. Exploded View &amp; Part List

Level	Location No.	Code No.	Description & Specification	Q'ty	SA/SNA	Remark
....4	C6021	2203-005968	C-CER,CHIP;4.7NF,10%,50V,X7R,TP,1005	1	S.N.A	
....4	C9028	2203-006039	C-CER,CHIP;1nF,10%,2000V,X7R,3216	1	S.A	
....4	C9030	2203-006039	C-CER,CHIP;1nF,10%,2000V,X7R,3216	1	S.A	
....4	C1037	2203-006104	C-CER,CHIP;1000nF,10%,50V,X7R,3225	1	S.A	
....4	C4079	2203-006126	C-CER,CHIP;47NF,10%,16V,X7R,TP,1005	1	S.N.A	
....4	C4080	2203-006126	C-CER,CHIP;47NF,10%,16V,X7R,TP,1005	1	S.N.A	
....4	C4081	2203-006126	C-CER,CHIP;47NF,10%,16V,X7R,TP,1005	1	S.N.A	
....4	C4082	2203-006126	C-CER,CHIP;47NF,10%,16V,X7R,TP,1005	1	S.N.A	
....4	C4083	2203-006126	C-CER,CHIP;47NF,10%,16V,X7R,TP,1005	1	S.N.A	
....4	C4084	2203-006126	C-CER,CHIP;47NF,10%,16V,X7R,TP,1005	1	S.N.A	
....4	C4085	2203-006126	C-CER,CHIP;47NF,10%,16V,X7R,TP,1005	1	S.N.A	
....4	C1007	2203-006141	C-CER,CHIP;1000nF,10%,16V,X5R,1608	1	S.A	
....4	C2055	2203-006141	C-CER,CHIP;1000nF,10%,16V,X5R,1608	1	S.A	
....4	C2062	2203-006141	C-CER,CHIP;1000nF,10%,16V,X5R,1608	1	S.A	
....4	C2063	2203-006141	C-CER,CHIP;1000nF,10%,16V,X5R,1608	1	S.A	
....4	C2066	2203-006141	C-CER,CHIP;1000nF,10%,16V,X5R,1608	1	S.A	
....4	C1040	2203-006158	C-CER,CHIP;100nF,10%,16V,X7R,1005	1	S.N.A	
....4	C1041	2203-006158	C-CER,CHIP;100nF,10%,16V,X7R,1005	1	S.N.A	
....4	C1044	2203-006158	C-CER,CHIP;100nF,10%,16V,X7R,1005	1	S.N.A	
....4	C1086	2203-006158	C-CER,CHIP;100nF,10%,16V,X7R,1005	1	S.N.A	
....4	C1166	2203-006158	C-CER,CHIP;100nF,10%,16V,X7R,1005	1	S.N.A	
....4	C2014	2203-006158	C-CER,CHIP;100nF,10%,16V,X7R,1005	1	S.N.A	
....4	C2015	2203-006158	C-CER,CHIP;100nF,10%,16V,X7R,1005	1	S.N.A	
....4	C2033	2203-006158	C-CER,CHIP;100nF,10%,16V,X7R,1005	1	S.N.A	
....4	C2035	2203-006158	C-CER,CHIP;100nF,10%,16V,X7R,1005	1	S.N.A	
....4	C2039	2203-006158	C-CER,CHIP;100nF,10%,16V,X7R,1005	1	S.N.A	
....4	C2040	2203-006158	C-CER,CHIP;100nF,10%,16V,X7R,1005	1	S.N.A	
....4	C2046	2203-006158	C-CER,CHIP;100nF,10%,16V,X7R,1005	1	S.N.A	
....4	C2047	2203-006158	C-CER,CHIP;100nF,10%,16V,X7R,1005	1	S.N.A	
....4	C2048	2203-006158	C-CER,CHIP;100nF,10%,16V,X7R,1005	1	S.N.A	
....4	C2049	2203-006158	C-CER,CHIP;100nF,10%,16V,X7R,1005	1	S.N.A	
....4	C2051	2203-006158	C-CER,CHIP;100nF,10%,16V,X7R,1005	1	S.N.A	
....4	C2054	2203-006158	C-CER,CHIP;100nF,10%,16V,X7R,1005	1	S.N.A	
....4	C2059	2203-006158	C-CER,CHIP;100nF,10%,16V,X7R,1005	1	S.N.A	
....4	C3016	2203-006158	C-CER,CHIP;100nF,10%,16V,X7R,1005	1	S.N.A	
....4	C3081	2203-006158	C-CER,CHIP;100nF,10%,16V,X7R,1005	1	S.N.A	
....4	C3302_FAN	2203-006158	C-CER,CHIP;100nF,10%,16V,X7R,1005	1	S.N.A	
....4	C3304_FAN	2203-006158	C-CER,CHIP;100nF,10%,16V,X7R,1005	1	S.N.A	
....4	C3308_FAN	2203-006158	C-CER,CHIP;100nF,10%,16V,X7R,1005	1	S.N.A	
....4	C4001	2203-006158	C-CER,CHIP;100nF,10%,16V,X7R,1005	1	S.N.A	
....4	C4002	2203-006158	C-CER,CHIP;100nF,10%,16V,X7R,1005	1	S.N.A	
....4	C4003	2203-006158	C-CER,CHIP;100nF,10%,16V,X7R,1005	1	S.N.A	
....4	C4004	2203-006158	C-CER,CHIP;100nF,10%,16V,X7R,1005	1	S.N.A	
....4	C4009	2203-006158	C-CER,CHIP;100nF,10%,16V,X7R,1005	1	S.N.A	
....4	C4014	2203-006158	C-CER,CHIP;100nF,10%,16V,X7R,1005	1	S.N.A	
....4	C4021	2203-006158	C-CER,CHIP;100nF,10%,16V,X7R,1005	1	S.N.A	
....4	C4023	2203-006158	C-CER,CHIP;100nF,10%,16V,X7R,1005	1	S.N.A	
....4	C4025	2203-006158	C-CER,CHIP;100nF,10%,16V,X7R,1005	1	S.N.A	
....4	C4028	2203-006158	C-CER,CHIP;100nF,10%,16V,X7R,1005	1	S.N.A	
....4	C4029	2203-006158	C-CER,CHIP;100nF,10%,16V,X7R,1005	1	S.N.A	
....4	C4038	2203-006158	C-CER,CHIP;100nF,10%,16V,X7R,1005	1	S.N.A	

5. Exploded View & Part List

Level	Location No.	Code No.	Description & Specification	Q'ty	SA/SNA	Remark
...4	C4068	2203-006158	C-CER,CHIP;100nF,10%,16V,X7R,1005	1	S.N.A	
...4	C4104	2203-006158	C-CER,CHIP;100nF,10%,16V,X7R,1005	1	S.N.A	
...4	C4105	2203-006158	C-CER,CHIP;100nF,10%,16V,X7R,1005	1	S.N.A	
...4	C4117	2203-006158	C-CER,CHIP;100nF,10%,16V,X7R,1005	1	S.N.A	
...4	C4123	2203-006158	C-CER,CHIP;100nF,10%,16V,X7R,1005	1	S.N.A	
...4	C4127	2203-006158	C-CER,CHIP;100nF,10%,16V,X7R,1005	1	S.N.A	
...4	C4136	2203-006158	C-CER,CHIP;100nF,10%,16V,X7R,1005	1	S.N.A	
...4	C4137	2203-006158	C-CER,CHIP;100nF,10%,16V,X7R,1005	1	S.N.A	
...4	C4138	2203-006158	C-CER,CHIP;100nF,10%,16V,X7R,1005	1	S.N.A	
...4	C4139	2203-006158	C-CER,CHIP;100nF,10%,16V,X7R,1005	1	S.N.A	
...4	C4140	2203-006158	C-CER,CHIP;100nF,10%,16V,X7R,1005	1	S.N.A	
...4	C4141	2203-006158	C-CER,CHIP;100nF,10%,16V,X7R,1005	1	S.N.A	
...4	C4201	2203-006158	C-CER,CHIP;100nF,10%,16V,X7R,1005	1	S.N.A	
...4	C5004	2203-006158	C-CER,CHIP;100nF,10%,16V,X7R,1005	1	S.N.A	
...4	C5014	2203-006158	C-CER,CHIP;100nF,10%,16V,X7R,1005	1	S.N.A	
...4	C5017	2203-006158	C-CER,CHIP;100nF,10%,16V,X7R,1005	1	S.N.A	
...4	C5031	2203-006158	C-CER,CHIP;100nF,10%,16V,X7R,1005	1	S.N.A	
...4	C5033	2203-006158	C-CER,CHIP;100nF,10%,16V,X7R,1005	1	S.N.A	
...4	C5034	2203-006158	C-CER,CHIP;100nF,10%,16V,X7R,1005	1	S.N.A	
...4	C5035	2203-006158	C-CER,CHIP;100nF,10%,16V,X7R,1005	1	S.N.A	
...4	C5036	2203-006158	C-CER,CHIP;100nF,10%,16V,X7R,1005	1	S.N.A	
...4	C5037	2203-006158	C-CER,CHIP;100nF,10%,16V,X7R,1005	1	S.N.A	
...4	C5039_SLIM	2203-006158	C-CER,CHIP;100nF,10%,16V,X7R,1005	1	S.N.A	
...4	C5102	2203-006158	C-CER,CHIP;100nF,10%,16V,X7R,1005	1	S.N.A	
...4	C6023	2203-006158	C-CER,CHIP;100nF,10%,16V,X7R,1005	1	S.N.A	
...4	C7028	2203-006158	C-CER,CHIP;100nF,10%,16V,X7R,1005	1	S.N.A	
...4	C7031	2203-006158	C-CER,CHIP;100nF,10%,16V,X7R,1005	1	S.N.A	
...4	C7058	2203-006158	C-CER,CHIP;100nF,10%,16V,X7R,1005	1	S.N.A	
...4	C7069	2203-006158	C-CER,CHIP;100nF,10%,16V,X7R,1005	1	S.N.A	
...4	C7076	2203-006158	C-CER,CHIP;100nF,10%,16V,X7R,1005	1	S.N.A	
...4	C7077	2203-006158	C-CER,CHIP;100nF,10%,16V,X7R,1005	1	S.N.A	
...4	C7121	2203-006158	C-CER,CHIP;100nF,10%,16V,X7R,1005	1	S.N.A	
...4	C7122	2203-006158	C-CER,CHIP;100nF,10%,16V,X7R,1005	1	S.N.A	
...4	C7123	2203-006158	C-CER,CHIP;100nF,10%,16V,X7R,1005	1	S.N.A	
...4	C7124	2203-006158	C-CER,CHIP;100nF,10%,16V,X7R,1005	1	S.N.A	
...4	C7125	2203-006158	C-CER,CHIP;100nF,10%,16V,X7R,1005	1	S.N.A	
...4	C7126	2203-006158	C-CER,CHIP;100nF,10%,16V,X7R,1005	1	S.N.A	
...4	C7130	2203-006158	C-CER,CHIP;100nF,10%,16V,X7R,1005	1	S.N.A	
...4	C7131	2203-006158	C-CER,CHIP;100nF,10%,16V,X7R,1005	1	S.N.A	
...4	C7134	2203-006158	C-CER,CHIP;100nF,10%,16V,X7R,1005	1	S.N.A	
...4	C7135	2203-006158	C-CER,CHIP;100nF,10%,16V,X7R,1005	1	S.N.A	
...4	C7139	2203-006158	C-CER,CHIP;100nF,10%,16V,X7R,1005	1	S.N.A	
...4	C7142	2203-006158	C-CER,CHIP;100nF,10%,16V,X7R,1005	1	S.N.A	
...4	C7143	2203-006158	C-CER,CHIP;100nF,10%,16V,X7R,1005	1	S.N.A	
...4	C7144	2203-006158	C-CER,CHIP;100nF,10%,16V,X7R,1005	1	S.N.A	
...4	C7145	2203-006158	C-CER,CHIP;100nF,10%,16V,X7R,1005	1	S.N.A	
...4	C7146	2203-006158	C-CER,CHIP;100nF,10%,16V,X7R,1005	1	S.N.A	
...4	C7147	2203-006158	C-CER,CHIP;100nF,10%,16V,X7R,1005	1	S.N.A	
...4	C7148	2203-006158	C-CER,CHIP;100nF,10%,16V,X7R,1005	1	S.N.A	
...4	C7149	2203-006158	C-CER,CHIP;100nF,10%,16V,X7R,1005	1	S.N.A	
...4	C7150	2203-006158	C-CER,CHIP;100nF,10%,16V,X7R,1005	1	S.N.A	

Level	Location No.	Code No.	Description & Specification	Q'ty	SA/SNA	Remark
....4	C7151	2203-006158	C-CER,CHIP;100nF,10%,16V,X7R,1005	1	S.N.A	
....4	C7152	2203-006158	C-CER,CHIP;100nF,10%,16V,X7R,1005	1	S.N.A	
....4	C7153	2203-006158	C-CER,CHIP;100nF,10%,16V,X7R,1005	1	S.N.A	
....4	C7160	2203-006158	C-CER,CHIP;100nF,10%,16V,X7R,1005	1	S.N.A	
....4	C7177	2203-006158	C-CER,CHIP;100nF,10%,16V,X7R,1005	1	S.N.A	
....4	C7187	2203-006158	C-CER,CHIP;100nF,10%,16V,X7R,1005	1	S.N.A	
....4	C7188	2203-006158	C-CER,CHIP;100nF,10%,16V,X7R,1005	1	S.N.A	
....4	C7189	2203-006158	C-CER,CHIP;100nF,10%,16V,X7R,1005	1	S.N.A	
....4	C7190	2203-006158	C-CER,CHIP;100nF,10%,16V,X7R,1005	1	S.N.A	
....4	C7201	2203-006158	C-CER,CHIP;100nF,10%,16V,X7R,1005	1	S.N.A	
....4	C7203	2203-006158	C-CER,CHIP;100nF,10%,16V,X7R,1005	1	S.N.A	
....4	C7204	2203-006158	C-CER,CHIP;100nF,10%,16V,X7R,1005	1	S.N.A	
....4	C7205	2203-006158	C-CER,CHIP;100nF,10%,16V,X7R,1005	1	S.N.A	
....4	C7206	2203-006158	C-CER,CHIP;100nF,10%,16V,X7R,1005	1	S.N.A	
....4	C7211	2203-006158	C-CER,CHIP;100nF,10%,16V,X7R,1005	1	S.N.A	
....4	C7213	2203-006158	C-CER,CHIP;100nF,10%,16V,X7R,1005	1	S.N.A	
....4	C7214	2203-006158	C-CER,CHIP;100nF,10%,16V,X7R,1005	1	S.N.A	
....4	C7215	2203-006158	C-CER,CHIP;100nF,10%,16V,X7R,1005	1	S.N.A	
....4	C7218	2203-006158	C-CER,CHIP;100nF,10%,16V,X7R,1005	1	S.N.A	
....4	C7220	2203-006158	C-CER,CHIP;100nF,10%,16V,X7R,1005	1	S.N.A	
....4	C7222	2203-006158	C-CER,CHIP;100nF,10%,16V,X7R,1005	1	S.N.A	
....4	C7226	2203-006158	C-CER,CHIP;100nF,10%,16V,X7R,1005	1	S.N.A	
....4	C7227	2203-006158	C-CER,CHIP;100nF,10%,16V,X7R,1005	1	S.N.A	
....4	C7228	2203-006158	C-CER,CHIP;100nF,10%,16V,X7R,1005	1	S.N.A	
....4	C7229	2203-006158	C-CER,CHIP;100nF,10%,16V,X7R,1005	1	S.N.A	
....4	C7230	2203-006158	C-CER,CHIP;100nF,10%,16V,X7R,1005	1	S.N.A	
....4	C7233	2203-006158	C-CER,CHIP;100nF,10%,16V,X7R,1005	1	S.N.A	
....4	C7235	2203-006158	C-CER,CHIP;100nF,10%,16V,X7R,1005	1	S.N.A	
....4	C7236	2203-006158	C-CER,CHIP;100nF,10%,16V,X7R,1005	1	S.N.A	
....4	C7238	2203-006158	C-CER,CHIP;100nF,10%,16V,X7R,1005	1	S.N.A	
....4	C7244	2203-006158	C-CER,CHIP;100nF,10%,16V,X7R,1005	1	S.N.A	
....4	C7252	2203-006158	C-CER,CHIP;100nF,10%,16V,X7R,1005	1	S.N.A	
....4	C7254	2203-006158	C-CER,CHIP;100nF,10%,16V,X7R,1005	1	S.N.A	
....4	C7255	2203-006158	C-CER,CHIP;100nF,10%,16V,X7R,1005	1	S.N.A	
....4	C7256	2203-006158	C-CER,CHIP;100nF,10%,16V,X7R,1005	1	S.N.A	
....4	C7265	2203-006158	C-CER,CHIP;100nF,10%,16V,X7R,1005	1	S.N.A	
....4	C9002	2203-006158	C-CER,CHIP;100nF,10%,16V,X7R,1005	1	S.N.A	
....4	C9005	2203-006158	C-CER,CHIP;100nF,10%,16V,X7R,1005	1	S.N.A	
....4	C9007	2203-006158	C-CER,CHIP;100nF,10%,16V,X7R,1005	1	S.N.A	
....4	C9009	2203-006158	C-CER,CHIP;100nF,10%,16V,X7R,1005	1	S.N.A	
....4	C9011	2203-006158	C-CER,CHIP;100nF,10%,16V,X7R,1005	1	S.N.A	
....4	C9012	2203-006158	C-CER,CHIP;100nF,10%,16V,X7R,1005	1	S.N.A	
....4	C9014	2203-006158	C-CER,CHIP;100nF,10%,16V,X7R,1005	1	S.N.A	
....4	C9015	2203-006158	C-CER,CHIP;100nF,10%,16V,X7R,1005	1	S.N.A	
....4	C9016	2203-006158	C-CER,CHIP;100nF,10%,16V,X7R,1005	1	S.N.A	
....4	C9018	2203-006158	C-CER,CHIP;100nF,10%,16V,X7R,1005	1	S.N.A	
....4	C9020	2203-006158	C-CER,CHIP;100nF,10%,16V,X7R,1005	1	S.N.A	
....4	C9022	2203-006158	C-CER,CHIP;100nF,10%,16V,X7R,1005	1	S.N.A	
....4	C9023	2203-006158	C-CER,CHIP;100nF,10%,16V,X7R,1005	1	S.N.A	
....4	C9029	2203-006158	C-CER,CHIP;100nF,10%,16V,X7R,1005	1	S.N.A	
....4	C9032	2203-006158	C-CER,CHIP;100nF,10%,16V,X7R,1005	1	S.N.A	



5. Exploded View & Part List

Level	Location No.	Code No.	Description & Specification	Q'ty	SA/SNA	Remark
....4	C9033	2203-006158	C-CER,CHIP;100nF,10%,16V,X7R,1005	1	S.N.A	
....4	C1093	2203-006307	C-CER,CHIP;1000nF,10%,25V,X5R,2012	1	S.A	
....4	C1080	2203-006333	C-CER,CHIP;10000nF,20%,16V,X5R,TP,3216	1	S.A	
....4	C1087	2203-006333	C-CER,CHIP;10000nF,20%,16V,X5R,TP,3216	1	S.A	
....4	C1090	2203-006333	C-CER,CHIP;10000nF,20%,16V,X5R,TP,3216	1	S.A	
....4	C1095	2203-006333	C-CER,CHIP;10000nF,20%,16V,X5R,TP,3216	1	S.A	
....4	C2057	2203-006336	C-CER,CHIP;10000nF,10%,25V,X5R,3216	1	S.A	
....4	C1059	2203-006361	C-CER,CHIP;10000nF,10%,10V,X5R,2012	1	S.A	
....4	C1099	2203-006361	C-CER,CHIP;10000nF,10%,10V,X5R,2012	1	S.A	
....4	C3412	2203-006361	C-CER,CHIP;10000nF,10%,10V,X5R,2012	1	S.A	
....4	C3420	2203-006361	C-CER,CHIP;10000nF,10%,10V,X5R,2012	1	S.A	
....4	C3421	2203-006361	C-CER,CHIP;10000nF,10%,10V,X5R,2012	1	S.A	
....4	C3422	2203-006361	C-CER,CHIP;10000nF,10%,10V,X5R,2012	1	S.A	
....4	C3423	2203-006361	C-CER,CHIP;10000nF,10%,10V,X5R,2012	1	S.A	
....4	C9040	2203-006361	C-CER,CHIP;10000nF,10%,10V,X5R,2012	1	S.A	
....4	C2002	2203-006562	C-CER,CHIP;1000nF,10%,10V,X5R,1005	1	S.N.A	
....4	C2003	2203-006562	C-CER,CHIP;1000nF,10%,10V,X5R,1005	1	S.N.A	
....4	C2004	2203-006562	C-CER,CHIP;1000nF,10%,10V,X5R,1005	1	S.N.A	
....4	C2005	2203-006562	C-CER,CHIP;1000nF,10%,10V,X5R,1005	1	S.N.A	
....4	C2006	2203-006562	C-CER,CHIP;1000nF,10%,10V,X5R,1005	1	S.N.A	
....4	C2007	2203-006562	C-CER,CHIP;1000nF,10%,10V,X5R,1005	1	S.N.A	
....4	C2008	2203-006562	C-CER,CHIP;1000nF,10%,10V,X5R,1005	1	S.N.A	
....4	C2009	2203-006562	C-CER,CHIP;1000nF,10%,10V,X5R,1005	1	S.N.A	
....4	C2010	2203-006562	C-CER,CHIP;1000nF,10%,10V,X5R,1005	1	S.N.A	
....4	C2011	2203-006562	C-CER,CHIP;1000nF,10%,10V,X5R,1005	1	S.N.A	
....4	C2012	2203-006562	C-CER,CHIP;1000nF,10%,10V,X5R,1005	1	S.N.A	
....4	C2013	2203-006562	C-CER,CHIP;1000nF,10%,10V,X5R,1005	1	S.N.A	
....4	C2036	2203-006562	C-CER,CHIP;1000nF,10%,10V,X5R,1005	1	S.N.A	
....4	C4106	2203-006562	C-CER,CHIP;1000nF,10%,10V,X5R,1005	1	S.N.A	
....4	C6024	2203-006562	C-CER,CHIP;1000nF,10%,10V,X5R,1005	1	S.N.A	
....4	C7223	2203-006562	C-CER,CHIP;1000nF,10%,10V,X5R,1005	1	S.N.A	
....4	C7231	2203-006562	C-CER,CHIP;1000nF,10%,10V,X5R,1005	1	S.N.A	
....4	C7239	2203-006562	C-CER,CHIP;1000nF,10%,10V,X5R,1005	1	S.N.A	
....4	C9004	2203-006562	C-CER,CHIP;1000nF,10%,10V,X5R,1005	1	S.N.A	
....4	C1002_NACH	2203-006681	C-CER,CHIP;100nF,+80-20%,25V,Y5V,1005	1	S.N.A	
....4	C1008	2203-006681	C-CER,CHIP;100nF,+80-20%,25V,Y5V,1005	1	S.N.A	
....4	C1010	2203-006681	C-CER,CHIP;100nF,+80-20%,25V,Y5V,1005	1	S.N.A	
....4	C1011	2203-006681	C-CER,CHIP;100nF,+80-20%,25V,Y5V,1005	1	S.N.A	
....4	C1068	2203-006681	C-CER,CHIP;100nF,+80-20%,25V,Y5V,1005	1	S.N.A	
....4	C1072	2203-006681	C-CER,CHIP;100nF,+80-20%,25V,Y5V,1005	1	S.N.A	
....4	C1073	2203-006681	C-CER,CHIP;100nF,+80-20%,25V,Y5V,1005	1	S.N.A	
....4	C1141	2203-006681	C-CER,CHIP;100nF,+80-20%,25V,Y5V,1005	1	S.N.A	
....4	C1146	2203-006681	C-CER,CHIP;100nF,+80-20%,25V,Y5V,1005	1	S.N.A	
....4	C1195_FAN	2203-006681	C-CER,CHIP;100nF,+80-20%,25V,Y5V,1005	1	S.N.A	
....4	C1196_FAN	2203-006681	C-CER,CHIP;100nF,+80-20%,25V,Y5V,1005	1	S.N.A	
....4	C1198_NACH	2203-006681	C-CER,CHIP;100nF,+80-20%,25V,Y5V,1005	1	S.N.A	
....4	C1211	2203-006681	C-CER,CHIP;100nF,+80-20%,25V,Y5V,1005	1	S.N.A	
....4	C2019	2203-006681	C-CER,CHIP;100nF,+80-20%,25V,Y5V,1005	1	S.N.A	
....4	C2020	2203-006681	C-CER,CHIP;100nF,+80-20%,25V,Y5V,1005	1	S.N.A	
....4	C2024	2203-006681	C-CER,CHIP;100nF,+80-20%,25V,Y5V,1005	1	S.N.A	
....4	C3067	2203-006681	C-CER,CHIP;100nF,+80-20%,25V,Y5V,1005	1	S.N.A	



## 5. Exploded View &amp; Part List

Level	Location No.	Code No.	Description & Specification	Q'ty	SA/SNA	Remark
....4	C3075	2203-006681	C-CER,CHIP;100nF,+80-20%,25V,Y5V,1005	1	S.N.A	
....4	C3077	2203-006681	C-CER,CHIP;100nF,+80-20%,25V,Y5V,1005	1	S.N.A	
....4	C3080_4HDM	2203-006681	C-CER,CHIP;100nF,+80-20%,25V,Y5V,1005	1	S.N.A	
....4	C3087	2203-006681	C-CER,CHIP;100nF,+80-20%,25V,Y5V,1005	1	S.N.A	
....4	C3402	2203-006681	C-CER,CHIP;100nF,+80-20%,25V,Y5V,1005	1	S.N.A	
....4	C3403	2203-006681	C-CER,CHIP;100nF,+80-20%,25V,Y5V,1005	1	S.N.A	
....4	C3404	2203-006681	C-CER,CHIP;100nF,+80-20%,25V,Y5V,1005	1	S.N.A	
....4	C3405	2203-006681	C-CER,CHIP;100nF,+80-20%,25V,Y5V,1005	1	S.N.A	
....4	C3406	2203-006681	C-CER,CHIP;100nF,+80-20%,25V,Y5V,1005	1	S.N.A	
....4	C3407	2203-006681	C-CER,CHIP;100nF,+80-20%,25V,Y5V,1005	1	S.N.A	
....4	C3408	2203-006681	C-CER,CHIP;100nF,+80-20%,25V,Y5V,1005	1	S.N.A	
....4	C3409	2203-006681	C-CER,CHIP;100nF,+80-20%,25V,Y5V,1005	1	S.N.A	
....4	C3410	2203-006681	C-CER,CHIP;100nF,+80-20%,25V,Y5V,1005	1	S.N.A	
....4	C3411	2203-006681	C-CER,CHIP;100nF,+80-20%,25V,Y5V,1005	1	S.N.A	
....4	C3413	2203-006681	C-CER,CHIP;100nF,+80-20%,25V,Y5V,1005	1	S.N.A	
....4	C3414	2203-006681	C-CER,CHIP;100nF,+80-20%,25V,Y5V,1005	1	S.N.A	
....4	C3415	2203-006681	C-CER,CHIP;100nF,+80-20%,25V,Y5V,1005	1	S.N.A	
....4	C3416	2203-006681	C-CER,CHIP;100nF,+80-20%,25V,Y5V,1005	1	S.N.A	
....4	C3417	2203-006681	C-CER,CHIP;100nF,+80-20%,25V,Y5V,1005	1	S.N.A	
....4	C3418	2203-006681	C-CER,CHIP;100nF,+80-20%,25V,Y5V,1005	1	S.N.A	
....4	C3419	2203-006681	C-CER,CHIP;100nF,+80-20%,25V,Y5V,1005	1	S.N.A	
....4	C3424	2203-006681	C-CER,CHIP;100nF,+80-20%,25V,Y5V,1005	1	S.N.A	
....4	C3425	2203-006681	C-CER,CHIP;100nF,+80-20%,25V,Y5V,1005	1	S.N.A	
....4	C3426	2203-006681	C-CER,CHIP;100nF,+80-20%,25V,Y5V,1005	1	S.N.A	
....4	C3427	2203-006681	C-CER,CHIP;100nF,+80-20%,25V,Y5V,1005	1	S.N.A	
....4	C4005	2203-006681	C-CER,CHIP;100nF,+80-20%,25V,Y5V,1005	1	S.N.A	
....4	C4006	2203-006681	C-CER,CHIP;100nF,+80-20%,25V,Y5V,1005	1	S.N.A	
....4	C4007	2203-006681	C-CER,CHIP;100nF,+80-20%,25V,Y5V,1005	1	S.N.A	
....4	C4010	2203-006681	C-CER,CHIP;100nF,+80-20%,25V,Y5V,1005	1	S.N.A	
....4	C4011	2203-006681	C-CER,CHIP;100nF,+80-20%,25V,Y5V,1005	1	S.N.A	
....4	C4012	2203-006681	C-CER,CHIP;100nF,+80-20%,25V,Y5V,1005	1	S.N.A	
....4	C4013	2203-006681	C-CER,CHIP;100nF,+80-20%,25V,Y5V,1005	1	S.N.A	
....4	C4015	2203-006681	C-CER,CHIP;100nF,+80-20%,25V,Y5V,1005	1	S.N.A	
....4	C4016	2203-006681	C-CER,CHIP;100nF,+80-20%,25V,Y5V,1005	1	S.N.A	
....4	C4017	2203-006681	C-CER,CHIP;100nF,+80-20%,25V,Y5V,1005	1	S.N.A	
....4	C4018	2203-006681	C-CER,CHIP;100nF,+80-20%,25V,Y5V,1005	1	S.N.A	
....4	C4019	2203-006681	C-CER,CHIP;100nF,+80-20%,25V,Y5V,1005	1	S.N.A	
....4	C4020	2203-006681	C-CER,CHIP;100nF,+80-20%,25V,Y5V,1005	1	S.N.A	
....4	C4022	2203-006681	C-CER,CHIP;100nF,+80-20%,25V,Y5V,1005	1	S.N.A	
....4	C4024	2203-006681	C-CER,CHIP;100nF,+80-20%,25V,Y5V,1005	1	S.N.A	
....4	C4070	2203-006681	C-CER,CHIP;100nF,+80-20%,25V,Y5V,1005	1	S.N.A	
....4	C4108	2203-006681	C-CER,CHIP;100nF,+80-20%,25V,Y5V,1005	1	S.N.A	
....4	C4111	2203-006681	C-CER,CHIP;100nF,+80-20%,25V,Y5V,1005	1	S.N.A	
....4	C4115	2203-006681	C-CER,CHIP;100nF,+80-20%,25V,Y5V,1005	1	S.N.A	
....4	C4118	2203-006681	C-CER,CHIP;100nF,+80-20%,25V,Y5V,1005	1	S.N.A	
....4	C4119	2203-006681	C-CER,CHIP;100nF,+80-20%,25V,Y5V,1005	1	S.N.A	
....4	C4120	2203-006681	C-CER,CHIP;100nF,+80-20%,25V,Y5V,1005	1	S.N.A	
....4	C4126	2203-006681	C-CER,CHIP;100nF,+80-20%,25V,Y5V,1005	1	S.N.A	
....4	C5015	2203-006681	C-CER,CHIP;100nF,+80-20%,25V,Y5V,1005	1	S.N.A	
....4	C6006	2203-006681	C-CER,CHIP;100nF,+80-20%,25V,Y5V,1005	1	S.N.A	
....4	C6008	2203-006681	C-CER,CHIP;100nF,+80-20%,25V,Y5V,1005	1	S.N.A	

5. Exploded View & Part List

Level	Location No.	Code No.	Description & Specification	Q'ty	SA/SNA	Remark
....4	C6012	2203-006681	C-CER,CHIP;100nF,+80-20%,25V,Y5V,1005	1	S.N.A	
....4	C6019	2203-006681	C-CER,CHIP;100nF,+80-20%,25V,Y5V,1005	1	S.N.A	
....4	C6020	2203-006681	C-CER,CHIP;100nF,+80-20%,25V,Y5V,1005	1	S.N.A	
....4	C6101	2203-006681	C-CER,CHIP;100nF,+80-20%,25V,Y5V,1005	1	S.N.A	
....4	C7001	2203-006681	C-CER,CHIP;100nF,+80-20%,25V,Y5V,1005	1	S.N.A	
....4	C7002	2203-006681	C-CER,CHIP;100nF,+80-20%,25V,Y5V,1005	1	S.N.A	
....4	C7015	2203-006681	C-CER,CHIP;100nF,+80-20%,25V,Y5V,1005	1	S.N.A	
....4	C7016	2203-006681	C-CER,CHIP;100nF,+80-20%,25V,Y5V,1005	1	S.N.A	
....4	C3054_NSID	2203-006992	C-CER,CHIP;0.33nF,5%,50V,C0G,1005	1	S.N.A	
....4	C3055_NSID	2203-006992	C-CER,CHIP;0.33nF,5%,50V,C0G,1005	1	S.N.A	
....4	C3079	2203-006992	C-CER,CHIP;0.33nF,5%,50V,C0G,1005	1	S.N.A	
....4	C3082	2203-006992	C-CER,CHIP;0.33nF,5%,50V,C0G,1005	1	S.N.A	
....4	C3084	2203-006992	C-CER,CHIP;0.33nF,5%,50V,C0G,1005	1	S.N.A	
....4	C3085	2203-006992	C-CER,CHIP;0.33nF,5%,50V,C0G,1005	1	S.N.A	
....4	C6022	2203-006992	C-CER,CHIP;0.33nF,5%,50V,C0G,1005	1	S.N.A	
....4	C1005_NACH	2203-007176	C-CER,CHIP;10000nF,10%,16V,X5R,TP,2012 (	1	S.N.A	
....4	C1019	2203-007176	C-CER,CHIP;10000nF,10%,16V,X5R,TP,2012 (	1	S.N.A	
....4	C1039	2203-007176	C-CER,CHIP;10000nF,10%,16V,X5R,TP,2012 (	1	S.N.A	
....4	C1042	2203-007176	C-CER,CHIP;10000nF,10%,16V,X5R,TP,2012 (	1	S.N.A	
....4	C1048	2203-007176	C-CER,CHIP;10000nF,10%,16V,X5R,TP,2012 (	1	S.N.A	
....4	C1049	2203-007176	C-CER,CHIP;10000nF,10%,16V,X5R,TP,2012 (	1	S.N.A	
....4	C1055	2203-007176	C-CER,CHIP;10000nF,10%,16V,X5R,TP,2012 (	1	S.N.A	
....4	C1056	2203-007176	C-CER,CHIP;10000nF,10%,16V,X5R,TP,2012 (	1	S.N.A	
....4	C1063	2203-007176	C-CER,CHIP;10000nF,10%,16V,X5R,TP,2012 (	1	S.N.A	
....4	C1064	2203-007176	C-CER,CHIP;10000nF,10%,16V,X5R,TP,2012 (	1	S.N.A	
....4	C1065	2203-007176	C-CER,CHIP;10000nF,10%,16V,X5R,TP,2012 (	1	S.N.A	
....4	C1171	2203-007176	C-CER,CHIP;10000nF,10%,16V,X5R,TP,2012 (	1	S.N.A	
....4	C1172	2203-007176	C-CER,CHIP;10000nF,10%,16V,X5R,TP,2012 (	1	S.N.A	
....4	C1173	2203-007176	C-CER,CHIP;10000nF,10%,16V,X5R,TP,2012 (	1	S.N.A	
....4	C1174	2203-007176	C-CER,CHIP;10000nF,10%,16V,X5R,TP,2012 (	1	S.N.A	
....4	C1194_FAN	2203-007176	C-CER,CHIP;10000nF,10%,16V,X5R,TP,2012 (	1	S.N.A	
....4	C1197_FAN	2203-007176	C-CER,CHIP;10000nF,10%,16V,X5R,TP,2012 (	1	S.N.A	
....4	C1199_NACH	2203-007176	C-CER,CHIP;10000nF,10%,16V,X5R,TP,2012 (	1	S.N.A	
....4	C1200_NACH	2203-007176	C-CER,CHIP;10000nF,10%,16V,X5R,TP,2012 (	1	S.N.A	
....4	C1204	2203-007176	C-CER,CHIP;10000nF,10%,16V,X5R,TP,2012 (	1	S.N.A	
....4	C1205	2203-007176	C-CER,CHIP;10000nF,10%,16V,X5R,TP,2012 (	1	S.N.A	
....4	C1206	2203-007176	C-CER,CHIP;10000nF,10%,16V,X5R,TP,2012 (	1	S.N.A	
....4	C1207	2203-007176	C-CER,CHIP;10000nF,10%,16V,X5R,TP,2012 (	1	S.N.A	
....4	C1208	2203-007176	C-CER,CHIP;10000nF,10%,16V,X5R,TP,2012 (	1	S.N.A	
....4	C1213	2203-007176	C-CER,CHIP;10000nF,10%,16V,X5R,TP,2012 (	1	S.N.A	
....4	C2016	2203-007176	C-CER,CHIP;10000nF,10%,16V,X5R,TP,2012 (	1	S.N.A	
....4	C2017	2203-007176	C-CER,CHIP;10000nF,10%,16V,X5R,TP,2012 (	1	S.N.A	
....4	C2018	2203-007176	C-CER,CHIP;10000nF,10%,16V,X5R,TP,2012 (	1	S.N.A	
....4	C2021	2203-007176	C-CER,CHIP;10000nF,10%,16V,X5R,TP,2012 (	1	S.N.A	
....4	C2023	2203-007176	C-CER,CHIP;10000nF,10%,16V,X5R,TP,2012 (	1	S.N.A	
....4	C2026	2203-007176	C-CER,CHIP;10000nF,10%,16V,X5R,TP,2012 (	1	S.N.A	
....4	C2027	2203-007176	C-CER,CHIP;10000nF,10%,16V,X5R,TP,2012 (	1	S.N.A	
....4	C2034	2203-007176	C-CER,CHIP;10000nF,10%,16V,X5R,TP,2012 (	1	S.N.A	
....4	C2041	2203-007176	C-CER,CHIP;10000nF,10%,16V,X5R,TP,2012 (	1	S.N.A	
....4	C2042	2203-007176	C-CER,CHIP;10000nF,10%,16V,X5R,TP,2012 (	1	S.N.A	
....4	C2043	2203-007176	C-CER,CHIP;10000nF,10%,16V,X5R,TP,2012 (	1	S.N.A	

## 5. Exploded View &amp; Part List

Level	Location No.	Code No.	Description & Specification	Q'ty	SA/SNA	Remark
....4	C2044	2203-007176	C-CER,CHIP;10000nF,10%,16V,X5R,TP,2012 (	1	S.N.A	
....4	C2045	2203-007176	C-CER,CHIP;10000nF,10%,16V,X5R,TP,2012 (	1	S.N.A	
....4	C2050	2203-007176	C-CER,CHIP;10000nF,10%,16V,X5R,TP,2012 (	1	S.N.A	
....4	C2065	2203-007176	C-CER,CHIP;10000nF,10%,16V,X5R,TP,2012 (	1	S.N.A	
....4	C2101	2203-007176	C-CER,CHIP;10000nF,10%,16V,X5R,TP,2012 (	1	S.N.A	
....4	C2102	2203-007176	C-CER,CHIP;10000nF,10%,16V,X5R,TP,2012 (	1	S.N.A	
....4	C3006	2203-007176	C-CER,CHIP;10000nF,10%,16V,X5R,TP,2012 (	1	S.N.A	
....4	C3007	2203-007176	C-CER,CHIP;10000nF,10%,16V,X5R,TP,2012 (	1	S.N.A	
....4	C3014	2203-007176	C-CER,CHIP;10000nF,10%,16V,X5R,TP,2012 (	1	S.N.A	
....4	C3015	2203-007176	C-CER,CHIP;10000nF,10%,16V,X5R,TP,2012 (	1	S.N.A	
....4	C3066	2203-007176	C-CER,CHIP;10000nF,10%,16V,X5R,TP,2012 (	1	S.N.A	
....4	C3074	2203-007176	C-CER,CHIP;10000nF,10%,16V,X5R,TP,2012 (	1	S.N.A	
....4	C3076	2203-007176	C-CER,CHIP;10000nF,10%,16V,X5R,TP,2012 (	1	S.N.A	
....4	C3078_4HDM	2203-007176	C-CER,CHIP;10000nF,10%,16V,X5R,TP,2012 (	1	S.N.A	
....4	C3083	2203-007176	C-CER,CHIP;10000nF,10%,16V,X5R,TP,2012 (	1	S.N.A	
....4	C3086	2203-007176	C-CER,CHIP;10000nF,10%,16V,X5R,TP,2012 (	1	S.N.A	
....4	C3301_FAN	2203-007176	C-CER,CHIP;10000nF,10%,16V,X5R,TP,2012 (	1	S.N.A	
....4	C3303_FAN	2203-007176	C-CER,CHIP;10000nF,10%,16V,X5R,TP,2012 (	1	S.N.A	
....4	C3307_FAN	2203-007176	C-CER,CHIP;10000nF,10%,16V,X5R,TP,2012 (	1	S.N.A	
....4	C4008	2203-007176	C-CER,CHIP;10000nF,10%,16V,X5R,TP,2012 (	1	S.N.A	
....4	C4026	2203-007176	C-CER,CHIP;10000nF,10%,16V,X5R,TP,2012 (	1	S.N.A	
....4	C4027	2203-007176	C-CER,CHIP;10000nF,10%,16V,X5R,TP,2012 (	1	S.N.A	
....4	C4032	2203-007176	C-CER,CHIP;10000nF,10%,16V,X5R,TP,2012 (	1	S.N.A	
....4	C4034	2203-007176	C-CER,CHIP;10000nF,10%,16V,X5R,TP,2012 (	1	S.N.A	
....4	C4035	2203-007176	C-CER,CHIP;10000nF,10%,16V,X5R,TP,2012 (	1	S.N.A	
....4	C4036	2203-007176	C-CER,CHIP;10000nF,10%,16V,X5R,TP,2012 (	1	S.N.A	
....4	C4037	2203-007176	C-CER,CHIP;10000nF,10%,16V,X5R,TP,2012 (	1	S.N.A	
....4	C4066	2203-007176	C-CER,CHIP;10000nF,10%,16V,X5R,TP,2012 (	1	S.N.A	
....4	C4072	2203-007176	C-CER,CHIP;10000nF,10%,16V,X5R,TP,2012 (	1	S.N.A	
....4	C4102	2203-007176	C-CER,CHIP;10000nF,10%,16V,X5R,TP,2012 (	1	S.N.A	
....4	C4110	2203-007176	C-CER,CHIP;10000nF,10%,16V,X5R,TP,2012 (	1	S.N.A	
....4	C4124	2203-007176	C-CER,CHIP;10000nF,10%,16V,X5R,TP,2012 (	1	S.N.A	
....4	C4125	2203-007176	C-CER,CHIP;10000nF,10%,16V,X5R,TP,2012 (	1	S.N.A	
....4	C4130	2203-007176	C-CER,CHIP;10000nF,10%,16V,X5R,TP,2012 (	1	S.N.A	
....4	C4131	2203-007176	C-CER,CHIP;10000nF,10%,16V,X5R,TP,2012 (	1	S.N.A	
....4	C4132	2203-007176	C-CER,CHIP;10000nF,10%,16V,X5R,TP,2012 (	1	S.N.A	
....4	C4148	2203-007176	C-CER,CHIP;10000nF,10%,16V,X5R,TP,2012 (	1	S.N.A	
....4	C4149	2203-007176	C-CER,CHIP;10000nF,10%,16V,X5R,TP,2012 (	1	S.N.A	
....4	C4150	2203-007176	C-CER,CHIP;10000nF,10%,16V,X5R,TP,2012 (	1	S.N.A	
....4	C5019	2203-007176	C-CER,CHIP;10000nF,10%,16V,X5R,TP,2012 (	1	S.N.A	
....4	C5029	2203-007176	C-CER,CHIP;10000nF,10%,16V,X5R,TP,2012 (	1	S.N.A	
....4	C5032	2203-007176	C-CER,CHIP;10000nF,10%,16V,X5R,TP,2012 (	1	S.N.A	
....4	C5038	2203-007176	C-CER,CHIP;10000nF,10%,16V,X5R,TP,2012 (	1	S.N.A	
....4	C5040_SLIM	2203-007176	C-CER,CHIP;10000nF,10%,16V,X5R,TP,2012 (	1	S.N.A	
....4	C5101	2203-007176	C-CER,CHIP;10000nF,10%,16V,X5R,TP,2012 (	1	S.N.A	
....4	C5103	2203-007176	C-CER,CHIP;10000nF,10%,16V,X5R,TP,2012 (	1	S.N.A	
....4	C5104	2203-007176	C-CER,CHIP;10000nF,10%,16V,X5R,TP,2012 (	1	S.N.A	
....4	C5105	2203-007176	C-CER,CHIP;10000nF,10%,16V,X5R,TP,2012 (	1	S.N.A	
....4	C5106	2203-007176	C-CER,CHIP;10000nF,10%,16V,X5R,TP,2012 (	1	S.N.A	
....4	C5107	2203-007176	C-CER,CHIP;10000nF,10%,16V,X5R,TP,2012 (	1	S.N.A	
....4	C5108	2203-007176	C-CER,CHIP;10000nF,10%,16V,X5R,TP,2012 (	1	S.N.A	

5. Exploded View & Part List

Level	Location No.	Code No.	Description & Specification	Q'ty	SA/SNA	Remark
....4	C5109	2203-007176	C-CER,CHIP;10000nF,10%,16V,X5R,TP,2012 (	1	S.N.A	
....4	C6001	2203-007176	C-CER,CHIP;10000nF,10%,16V,X5R,TP,2012 (	1	S.N.A	
....4	C6002	2203-007176	C-CER,CHIP;10000nF,10%,16V,X5R,TP,2012 (	1	S.N.A	
....4	C6003	2203-007176	C-CER,CHIP;10000nF,10%,16V,X5R,TP,2012 (	1	S.N.A	
....4	C7030	2203-007176	C-CER,CHIP;10000nF,10%,16V,X5R,TP,2012 (	1	S.N.A	
....4	C7066	2203-007176	C-CER,CHIP;10000nF,10%,16V,X5R,TP,2012 (	1	S.N.A	
....4	C7141	2203-007176	C-CER,CHIP;10000nF,10%,16V,X5R,TP,2012 (	1	S.N.A	
....4	C7186	2203-007176	C-CER,CHIP;10000nF,10%,16V,X5R,TP,2012 (	1	S.N.A	
....4	C7207	2203-007176	C-CER,CHIP;10000nF,10%,16V,X5R,TP,2012 (	1	S.N.A	
....4	C7208	2203-007176	C-CER,CHIP;10000nF,10%,16V,X5R,TP,2012 (	1	S.N.A	
....4	C7217	2203-007176	C-CER,CHIP;10000nF,10%,16V,X5R,TP,2012 (	1	S.N.A	
....4	C7219	2203-007176	C-CER,CHIP;10000nF,10%,16V,X5R,TP,2012 (	1	S.N.A	
....4	C7221	2203-007176	C-CER,CHIP;10000nF,10%,16V,X5R,TP,2012 (	1	S.N.A	
....4	C7257	2203-007176	C-CER,CHIP;10000nF,10%,16V,X5R,TP,2012 (	1	S.N.A	
....4	C7258	2203-007176	C-CER,CHIP;10000nF,10%,16V,X5R,TP,2012 (	1	S.N.A	
....4	C7259	2203-007176	C-CER,CHIP;10000nF,10%,16V,X5R,TP,2012 (	1	S.N.A	
....4	C7260	2203-007176	C-CER,CHIP;10000nF,10%,16V,X5R,TP,2012 (	1	S.N.A	
....4	C7261	2203-007176	C-CER,CHIP;10000nF,10%,16V,X5R,TP,2012 (	1	S.N.A	
....4	C7262	2203-007176	C-CER,CHIP;10000nF,10%,16V,X5R,TP,2012 (	1	S.N.A	
....4	C7263	2203-007176	C-CER,CHIP;10000nF,10%,16V,X5R,TP,2012 (	1	S.N.A	
....4	C7264	2203-007176	C-CER,CHIP;10000nF,10%,16V,X5R,TP,2012 (	1	S.N.A	
....4	C7266	2203-007176	C-CER,CHIP;10000nF,10%,16V,X5R,TP,2012 (	1	S.N.A	
....4	C7267	2203-007176	C-CER,CHIP;10000nF,10%,16V,X5R,TP,2012 (	1	S.N.A	
....4	C7268	2203-007176	C-CER,CHIP;10000nF,10%,16V,X5R,TP,2012 (	1	S.N.A	
....4	C7269	2203-007176	C-CER,CHIP;10000nF,10%,16V,X5R,TP,2012 (	1	S.N.A	
....4	C7270	2203-007176	C-CER,CHIP;10000nF,10%,16V,X5R,TP,2012 (	1	S.N.A	
....4	C7271	2203-007176	C-CER,CHIP;10000nF,10%,16V,X5R,TP,2012 (	1	S.N.A	
....4	C7272	2203-007176	C-CER,CHIP;10000nF,10%,16V,X5R,TP,2012 (	1	S.N.A	
....4	C7276	2203-007176	C-CER,CHIP;10000nF,10%,16V,X5R,TP,2012 (	1	S.N.A	
....4	C7277	2203-007176	C-CER,CHIP;10000nF,10%,16V,X5R,TP,2012 (	1	S.N.A	
....4	C9001	2203-007176	C-CER,CHIP;10000nF,10%,16V,X5R,TP,2012 (	1	S.N.A	
....4	C9003	2203-007176	C-CER,CHIP;10000nF,10%,16V,X5R,TP,2012 (	1	S.N.A	
....4	C9006	2203-007176	C-CER,CHIP;10000nF,10%,16V,X5R,TP,2012 (	1	S.N.A	
....4	C9019	2203-007176	C-CER,CHIP;10000nF,10%,16V,X5R,TP,2012 (	1	S.N.A	
....4	C9025	2203-007176	C-CER,CHIP;10000nF,10%,16V,X5R,TP,2012 (	1	S.N.A	
....4	C9035	2203-007176	C-CER,CHIP;10000nF,10%,16V,X5R,TP,2012 (	1	S.N.A	
....4	C6030	2402-001128	C-AL,SMD;100##F,20%,16V,-,TP,6.3X5.7mm	1	S.A	
....4	C6031	2402-001128	C-AL,SMD;100##F,20%,16V,-,TP,6.3X5.7mm	1	S.A	
....4	C1001_NACH	2402-001210	C-POLYMER AL CHIP;100uF,20%,10V,WT,TP,7.	1	S.A	
....4	C2037	2402-001210	C-POLYMER AL CHIP;100uF,20%,10V,WT,TP,7.	1	S.A	
....4	C2038	2402-001210	C-POLYMER AL CHIP;100uF,20%,10V,WT,TP,7.	1	S.A	
....4	C4152	2402-001210	C-POLYMER AL CHIP;100uF,20%,10V,WT,TP,7.	1	S.A	
....4	C5016	2402-001210	C-POLYMER AL CHIP;100uF,20%,10V,WT,TP,7.	1	S.A	
....4	C7025	2402-001210	C-POLYMER AL CHIP;100uF,20%,10V,WT,TP,7.	1	S.A	
....4	C7055	2402-001210	C-POLYMER AL CHIP;100uF,20%,10V,WT,TP,7.	1	S.A	
....4	C7154	2402-001210	C-POLYMER AL CHIP;100uF,20%,10V,WT,TP,7.	1	S.A	
....4	C7168	2402-001210	C-POLYMER AL CHIP;100uF,20%,10V,WT,TP,7.	1	S.A	
....4	C7273	2402-001210	C-POLYMER AL CHIP;100uF,20%,10V,WT,TP,7.	1	S.A	
....4	C2064	2402-001323	C-AL,SMD;100uF,20%,25V,LZ,TP,6.3x8mm	1	S.A	
....4	C7216	2409-001114	C-POLYMER ,CHIP;220UF,20%,10V,LR,TP,7343	1	S.A	
....4	C9031	2409-001126	C-POLYMER ,CHIP;4.7uF,20%,6.3V,WT,REEL,1	1	S.A	









## 5. Exploded View &amp; Part List

Level	Location No.	Code No.	Description & Specification	Q'ty	SA/SNA	Remark
...4	T0568	3301-001569	BEAD-SMD;600ohm,2012,1000mA,TP,520ohm/90	1	S.N.A	
...4	T0568	3301-001569	BEAD-SMD;600ohm,2012,1000mA,TP,520ohm/90	1	S.N.A	
...4	T0568	3301-001569	BEAD-SMD;600ohm,2012,1000mA,TP,520ohm/90	1	S.N.A	
...4	T0568	3301-001569	BEAD-SMD;600ohm,2012,1000mA,TP,520ohm/90	1	S.N.A	
...4	T0568	3301-001569	BEAD-SMD;600ohm,2012,1000mA,TP,520ohm/90	1	S.N.A	
...4	T0568	3301-001569	BEAD-SMD;600ohm,2012,1000mA,TP,520ohm/90	1	S.N.A	
...4	T0568	3301-001569	BEAD-SMD;600ohm,2012,1000mA,TP,520ohm/90	1	S.N.A	
...4	T0568	3301-001569	BEAD-SMD;600ohm,2012,1000mA,TP,520ohm/90	1	S.N.A	
...4	T0568	3301-001569	BEAD-SMD;600ohm,2012,1000mA,TP,520ohm/90	1	S.N.A	
...4	T0568	3301-001569	BEAD-SMD;600ohm,2012,1000mA,TP,520ohm/90	1	S.N.A	
...4	T0568	3301-001569	BEAD-SMD;600ohm,2012,1000mA,TP,520ohm/90	1	S.N.A	
...4	T0568	3301-001569	BEAD-SMD;600ohm,2012,1000mA,TP,520ohm/90	1	S.N.A	
...4	T0568	3301-001569	BEAD-SMD;600ohm,2012,1000mA,TP,520ohm/90	1	S.N.A	
...4	T0568	3301-001569	BEAD-SMD;600ohm,2012,1000mA,TP,520ohm/90	1	S.N.A	
...4	T0568	3301-001569	BEAD-SMD;600ohm,2012,1000mA,TP,520ohm/90	1	S.N.A	
...4	T0568	3301-001569	BEAD-SMD;600ohm,2012,1000mA,TP,520ohm/90	1	S.N.A	
...4	T0568	3301-001569	BEAD-SMD;600ohm,2012,1000mA,TP,520ohm/90	1	S.N.A	
...4	T0568	3301-001569	BEAD-SMD;600ohm,2012,1000mA,TP,520ohm/90	1	S.N.A	
...4	T0568	3301-001569	BEAD-SMD;600ohm,2012,1000mA,TP,520ohm/90	1	S.N.A	
...4	JA3003	3701-001367	CONNECTOR-HDMI;19P,2R,FEMALE,SMD,AU	1	S.A	
...4	JA3004_4HD	3701-001367	CONNECTOR-HDMI;19P,2R,FEMALE,SMD,AU	1	S.A	
...4	JA3005	3701-001367	CONNECTOR-HDMI;19P,2R,FEMALE,SMD,AU	1	S.A	
...4	CN330	3711-005292	HEADER-BOARD TO CABLE;BOX,3P,1R,2MM,SMD-	1	S.A	
...4	CN330	3711-005292	HEADER-BOARD TO CABLE;BOX,3P,1R,2MM,SMD-	1	S.A	
...4	CN330	3711-005292	HEADER-BOARD TO CABLE;BOX,3P,1R,2MM,SMD-	1	S.A	
...4	CN330	3711-005925	HEADER-BOARD TO CABLE;BOX,51P,1R,0.5mm,S	1	S.A	
...4	CN330	3711-006374	HEADER-BOARD TO CABLE;BOX,41P,2R,1.25mm,	1	S.A	
...4	T0077	BN41-01063A	PCB MAIN;L850 iDTV Normal,FR-4,6,1.6T,24	1	S.N.A	
...4	M0018	BN97-02520A	ASSY MICOM;N/A,N59C,2008.06.05,T-RBYDEUS	1	S.N.A	
....5	IC520	0903-001552	IC-MICROCONTROLLER;WT61P8-RG480WT,LQFP,4	1	S.A	
...4	M0018	BN97-02520B	ASSY MICOM;0xF20A,N59C,2008.05.21,T-RBYD	1	S.N.A	
....5	IC7013	1107-001740	IC-NAND FLASH;KFH8GH6U4M-DIB6,8Gbit,512M	1	S.A	
...4	M0018	BN97-02588A	ASSY MICOM;T-RBYDEUM,N59C,2008.06.03,N/A	1	S.N.A	
....5	IC115	1107-001415	IC-FLASH MEMORY;29W320D,4Mx8/2Mx16Bit,TS	1	S.N.A	
...3	T0066	BN62-00040A	HEAT SINK-ES;SAPPHIRE,T2.0,36*36*6.6,BLK	1	S.N.A	
...3	T0603	BN63-05040A	SHIELD-PCB MAIN;L850,EO,MAIN,SPT,TO.3	1	S.N.A	
0.1	M0003	BN92-03723B	ASSY BOX;46L850,EO	1	S.N.A	
..2		BN69-02879C	BOX-SET,OUT;46L850,CB,DW-80,YEL,W1207,D3	1	S.N.A	
..2	M0521	BN69-02880A	BOX-SET,IN;46L850,CB,C-01,DY-01,YEL,W160	1	S.N.A	
0.1	M0113	BN92-03724A	ASSY P/MATERIAL;46L850,W/W	1	S.N.A	
..2	T0003	6902-000604	BAG WRAPPING;LDPE,T0.02,W500,L10000,TRP,	7.5	S.N.A	
..2	T0524	6902-000867	BAG PE;HDPE/HDPE/NITRON,T0.015/T0.015/T1	1	S.N.A	
..2		6922-000003	BAND PP;PP,T0.8,W18,L1650M,TRP,DA69-9014	5.04	S.N.A	
..2	T0214	AA61-20285C	HOLDER-BOX;CORAL,PP,BLACK,HB	2	S.N.A	
..2	T0214	BN74-00008A	TAPE-OPP MASKING;OPP-2,T0.05,W100,L800M,	1.36	S.N.A	
0.1	M0019	BN92-03727A	ASSY LABEL;LE40A856S1FXXC	1	S.N.A	
0.1	M0045	BN92-03733A	ASSY ACCESSORY;LE40A856S1FXXC	1	S.N.A	
..2	M0045	BN96-08580A	ASSY ACCESSORY-MANUAL;LE40A856S1FXXC	1	S.A	
...3	T0524	6902-000110	BAG PE;LDPE,T0.05,W250,L400,TRP,28,2,-,9	1	S.N.A	

5. Exploded View & Part List

Level	Location No.	Code No.	Description & Specification	Q'ty	SA/SNA	Remark
...3		AA68-03242P	MANUAL FLYER-01,,SAFETY GUIDE;comm,Samsu	1	S.N.A	
...3	T0175	BN68-00514E	MANUAL FLYER-01,WARRANTY CARD;comm,Samsu	1	S.N.A	
...3	T0511	BN68-01701A	MANUAL USERS;COMM,SAMSUNG,8Language,W.EU	1	S.N.A	
..2	M0045	BN96-08580B	ASSY ACCESSORY-CABEL;LE40A856S1FXXC	1	S.A	
...3	T0268	3903-000145	CBF-POWER CORD;DT,EU,FP3/YES,U(IEC C13-R	1	S.A	
...3	T0686	4301-001076	BATTERY-LI;3V,620mAH,COIN,5x24.5 pi	1	S.A	
...3	T0524	6902-000110	BAG PE;LDPE,T0.05,W250,L400,TRP,28,2,-,9	1	S.N.A	
...3	T0074	BN59-00702A	REMOCON;TM-98C,50,IDTV_READY_950	1	S.A	
...3	T0074	BN59-00788B	REMOCON;TM94,5,KOREA	1	S.A	
...3		BN63-01798B	CLOTH-CLEAN;cloth,180,200,sea blue,ToC	1	S.N.A	
...3	T0531	BN63-04822B	COVER-BOTTOM;40,46,52L850,HIPS,-,-,-,V0,	1	S.N.A	
...4		BN81-00199H	RESIN;HIPS HB,BK500,HF-1690H,K2901	0.051	S.N.A	

## 5-6. LE52A856S Parts List

Level	Location No.	Code No.	Description & Specification	Q'ty	SA/SNA	Remark
		LE52A856S1MXXH	LE52A856S1M,N59E/52AS1-GPH,52,LCD-TV,SPA			
0.1	M0001	BN90-01769B	ASSY COVER FRONT;52L850,EO(iDTV),,,	1	S.N.A	
..2	T0003	BN96-08568B	ASSY COVER P-FRONT;52L850,EO(iDTV),PC(CL	1	S.A	
...3	M0081	6003-001188	SCREW-TAPTITE;BH,+,-,B,M4,L10,ZPC(WHT),S	4	S.A	
...3	M0081	6003-001188	SCREW-TAPTITE;BH,+,-,B,M4,L10,ZPC(WHT),S	1	S.A	
...3	M0081	6003-001188	SCREW-TAPTITE;BH,+,-,B,M4,L10,ZPC(WHT),S	2	S.A	
...3	M0081	6003-001188	SCREW-TAPTITE;BH,+,-,B,M4,L10,ZPC(WHT),S	1	S.A	
...3	T0069	BN60-00027U	SPACER-FELT;L850-52,FELT,1200,0.5,22	2	S.N.A	
...3	T0069	BN60-00027V	SPACER-FELT;L850-52,FELT,80,0.5,25	1	S.N.A	
...3	T0069	BN60-00027Y	SPACER-FELT;52 L850,FELT,700,0.5,17	2	S.N.A	
...3	CCM1	BN63-02183F	COVER-SHEET;RhcM,PE Vinyl,T0.05,900mm,20	1.4	S.N.A	
...3	M0112	BN63-04820B	COVER-FRONT;52L850,EO(iDTV),PC(CLEAR)+PC	1	S.N.A	
...4		BN81-00116D	RESIN-TOC;PC V0,TTP01,CLR,TN-1030(NP),TH	1.163	S.N.A	
...4		BN81-00116U	RESIN-TOC;PC V1, TRD03,Light Rose Black,	0.9	S.N.A	
...3		BN64-00946A	INDICATOR-LED LIGHTING;L850,PC CLR	1	S.N.A	
...3	M0125	BN96-07702B	ASSY BOARD P-FUNCTION LED&IR&H;LN52A750R	1	S.A	
...3	M0175	BN96-08124A	ASSY BOARD P-TOUCH FUNCTION;LN46A750R1,C	1	S.A	
...3		BN96-08572B	ASSY HOLDER P-BOSS TOP;52L850,HIPS,HB,BK	1	S.N.A	
...4		BN61-03261F	BOSS-TAPE;Amber,ACRYL,T1.1,W8mm,GRAY,TAP	0.839	S.N.A	
...4		BN61-04378B	HOLDER-BOSS TOP;52L850,HIPS,HB,BK500	1	S.N.A	
....5		BN81-00199H	RESIN;HIPS HB,BK500,HF-1690H,K2901	0.2	S.N.A	
...3		BN96-08575B	ASSY HOLDER P-BOSS SIDE;52L850,HIPS,HB,B	2	S.N.A	
...4		BN61-03261A	BOSS-TAPE;Tulip,ACRYL,T1.1,W12mm,GRAY,TA	0.721	S.N.A	
...4		BN61-04380B	HOLDER-BOSS SIDE;52L850,HIPS,HB,BK500	1	S.N.A	
....5		BN81-00199H	RESIN;HIPS HB,BK500,HF-1690H,K2901	0.1	S.N.A	
...3		BN96-08576B	ASSY HOLDER P-BOSS BOTTOM;52L850,HIPS,HB	1	S.N.A	
...4		BN61-03261C	BOSS-TAPE;Tulip,ACRYL,T1.1,W24mm,GRAY,TA	0.874	S.N.A	
...4		BN61-04382B	HOLDER-BOSS BOTTOM;52L850,HIPS,HB,BK500	1	S.N.A	
....5		BN81-00199H	RESIN;HIPS HB,BK500,HF-1690H,K2901	0.43	S.N.A	
0.1	M0002	BN90-01774A	ASSY COVER REAR;52L850,EO(iDTV),,,	1	S.N.A	
..2	T0081	6002-001294	SCREW-TAPPING;BH,+,,M4,L16,ZPC(BLK)	14	S.A	
..2	T0081	6002-001294	SCREW-TAPPING;BH,+,,M4,L16,ZPC(BLK)	1	S.A	
..2	C/R+H/WALL	6011-001610	BOLT-ETC;M8,L18,ZPC(BLK),SWRCH18A,WSP,PH	4	S.N.A	
..2	M0013	BN96-08585A	ASSY COVER P-REAR;52L850,EO(iDTV),PC+ABS	1	S.A	
...3	CCM1	BN63-02183G	COVER-SHEET;RhcM,PE Vinyl,T0.05,1100mm,2	1.6	S.N.A	
...3	M0006	BN63-04814A	COVER-REAR;52L850,EO(iDTV),PC+ABS,V0,BK2	1	S.N.A	
...4		BN81-00204P	RESIN-HIGH GLOSS;SF-0505,K21294,ABS HB P	5.25	S.N.A	
...3	T0071	BN64-00944A	INLAY-TERMINAL;L850,PS SHEET,T0.3,-,-,H/	1	S.N.A	
...3	T0064	BN65-00002A	CLAMPER CORE;BORDEAUX,LDPE,-,-,BLK,-	1	S.N.A	
0.1	M0216	BN90-01775A	ASSY STAND;52L850	1	S.N.A	
..2	T0081	6002-001294	SCREW-TAPPING;BH,+,,M4,L16,ZPC(BLK)	5	S.A	
..2	M0027	BN96-08591A	ASSY STAND P-BASE;52L850,GLASS	1	S.A	
...3	T0081	6002-001294	SCREW-TAPPING;BH,+,,M4,L16,ZPC(BLK)	4	S.A	
...3	T0081	6002-001294	SCREW-TAPPING;BH,+,,M4,L16,ZPC(BLK)	4	S.A	
...3		BN61-02533A	HOLDER-SWIVEL RING;46M7 EO,ACETAL,NATUAL	1	S.N.A	
...3		BN61-04374A	BRACKET-STAND BASE;40,46,52L850,SECC,T2.	1	S.N.A	

5. Exploded View & Part List

Level	Location No.	Code No.	Description & Specification	Q'ty	SA/SNA	Remark
...3	T0920	BN61-04379A	GUIDE-STAND;L850,PC+GF 20%,BLK	1	S.N.A	
...4		BN81-00204H	RESIN;Trirex,3025G20 BK,ABS+PC G/F 20%,4	463.1	S.N.A	
...3		BN61-04428B	BOSS-TAPE;ACRYL,T0.4,W20.0mm,WHITE	0.32	S.N.A	
...3		BN61-04437A	BRACKET-STAND SUB;40,46,52L850,SECC,T3.0	1	S.N.A	
...3		BN61-04438A	BRACKET-HINGE SWIVEL;40,46,52L850,SECC,T	1	S.N.A	
...3		BN61-04439A	HOLDER-SWIVEL RING;40,46,52L850,ACETAL	1	S.N.A	
...3		BN63-04825A	COVER-STAND NECK;L850,HIPS,HB,BK500,SE-1	1	S.N.A	
...4		BN81-00199H	RESIN;HIPS HB,BK500,HF-1690H,K2901	0.05	S.N.A	
...3		BN63-04883A	COVER-STAND SUB;L850,ABS+PMMA,HB,RD02,GL	1	S.N.A	
...4		BN81-01328A	RESIN;STAREX,SF0505,(40297),RD02,ABS+PMM	0.3	S.N.A	
...3	T0132	BN73-00181A	RUBBER FOOT;RUBY,CR Rubber,PI 25,T3.5,BL	4	S.N.A	
...3	M0003	BN96-08794A	ASSY COVER P-STAND GLASS;52,L850,TEMPERE	1	S.A	
...4	CCM1	BN63-02183F	COVER-SHEET;Rhcm,PE Vinyl,T0.05,900mm,20	0.45	S.N.A	
...4		BN63-04929A	COVER-STAND GLASS;52L850,GLASS,T8.0	1	S.N.A	
...3	CIS4	BP73-00001A	RUBBER-SHEET;42W5,NBB RUBBER,GRAY,10*20	2	S.N.A	
0.1	M0112	BN91-02596A	ASSY SHIELD;LE52A856S1FXXC	1	S.N.A	
.2	M0081	6003-000115	SCREW-TAPTITE;BH,+ ,B,M3,L6,ZPC(BLK),SWRC	6	S.A	
.2	M0081	6003-000269	SCREW-TAPTITE;BH,+ ,-,S,M3,L6,ZPC(WHT),SW	4	S.N.A	
.2	M0081	6003-000269	SCREW-TAPTITE;BH,+ ,-,S,M3,L6,ZPC(WHT),SW	8	S.N.A	
.2	M0081	6003-000337	SCREW-TAPTITE;BH,+ ,S,M4,L10,ZPC(BLK),SWR	6	S.A	
.2	M0081	6003-000337	SCREW-TAPTITE;BH,+ ,S,M4,L10,ZPC(BLK),SWR	2	S.A	
.2	M0081	6003-000337	SCREW-TAPTITE;BH,+ ,S,M4,L10,ZPC(BLK),SWR	2	S.A	
.2	M0081	6003-000337	SCREW-TAPTITE;BH,+ ,S,M4,L10,ZPC(BLK),SWR	2	S.A	
.2	M0081	6003-000337	SCREW-TAPTITE;BH,+ ,S,M4,L10,ZPC(BLK),SWR	8	S.A	
.2	M0081	6003-001188	SCREW-TAPTITE;BH,+ ,-,B,M4,L10,ZPC(WHT),S	1	S.A	
.2	M0081	6003-001188	SCREW-TAPTITE;BH,+ ,-,B,M4,L10,ZPC(WHT),S	6	S.A	
.2	M0081	6003-001188	SCREW-TAPTITE;BH,+ ,-,B,M4,L10,ZPC(WHT),S	2	S.A	
.2	M0081	6003-001188	SCREW-TAPTITE;BH,+ ,-,B,M4,L10,ZPC(WHT),S	2	S.A	
.2	M0081	6003-001188	SCREW-TAPTITE;BH,+ ,-,B,M4,L10,ZPC(WHT),S	4	S.A	
.2	M0081	6003-001439	SCREW-TAPTITE;BH,+ ,-,S,M4,L8,ZPC(WHT),SW	1	S.N.A	
.2	T0562	6046-001015	STAND OFF;#4-40,L5,Ni PLT,C3601,M3	2	S.N.A	
.2	T0136	BN31-00019F	FAN;RUBY2,PBTP	1	S.A	
.2	T0136	BN31-00019G	FAN;LN40A850S1FXZA,PBTP	1	S.A	
.2	M2893	BN39-01114B	LEAD CONNECTOR;LN46A850S1FXZA,UL20276#30	1	S.A	
.2	M2893	BN39-01118C	LEAD CONNECTOR;LN46A850S1FXZA,UL2464#26,	2	S.A	
.2	T0764	BN44-00240A	SMPS-LCDTV;SC5214,LN52A690A4F,AC/DC,320W	1	S.A	
.2	M0125	BN61-04116A	HOLDER-WALL;L650- SLIM,46,HIPS,HB,BK500	4	S.N.A	
...3		BN61-02932D	BRACKET-STOPPER NUT;L670_SLIM,M8,D10,L18	1	S.N.A	
...3		BN81-00199H	RESIN;HIPS HB,BK500,HF-1690H,K2901	0.023	S.N.A	
.2		BN61-04118A	BRACKET-GUIDE MAIN L;L650- SLIM,52,SECC,	1	S.N.A	
.2		BN61-04120A	BRACKET-PANEL BOTTOM;L650- SLIM,52,SECC,	1	S.N.A	
.2	M0146	BN61-04370A	BRACKET-PANEL SIDE;L850,SECC,T1.2	4	S.N.A	
.2	M0115	BN61-04375A	BRACKET-STAND LINK;46/52L850,SECC,T1.6	1	S.N.A	
.2		BN61-04376A	BRACKET-GUIDE MAIN R;L850,SECC,T1.2	1	S.N.A	
.2	M0254	BN61-04381B	HOLDER-SIDE AV;L850,EO,ABS+PMMA,HB,BK23,	1	S.N.A	
...3		BN81-00204P	RESIN-HIGH GLOSS;SF-0505,K21294,ABS HB P	0.017	S.N.A	
.2	M0107	BN63-04887A	SHIELD-COVER;L850,PCM,T0.5	1	S.N.A	
.2	T0175	BN96-08430A	ASSY SPEAKER P;8ohm,4pin,L850,10W	1	S.A	
.2	M0250	BN96-08479H	ASSY CABLE P-FFC LVDS;LE55A956D1F,FFC,11	1	S.A	
.2	M0125	BN96-08481C	ASSY INLET P;LN52A850S1FXZA,200mm,AC110V	1	S.A	

Level	Location No.	Code No.	Description & Specification	Q'ty	SA/SNA	Remark
0.1		BN91-02602B	ASSY LCD-AMLCD;LN52A850S1FXZA	1	S.N.A	
..2	M0215	BN07-00563A	LCD-PANEL;LTF520HE04	1	S.A	
0.1	M0017	BN91-02603C	ASSY CHASSIS;LE52A856S1FXXC	1	S.N.A	
..2	M0014	BN94-02102C	ASSY PCB MAIN;LE52A856S1FXXC	1	S.A	
...3	T0245	0202-001608	SOLDER-WIRE FLUX;LFC7-107,D0.8,99.3Sn/0.	1	S.N.A	
...3	CN3013_NSI	3701-001388	CONNECTOR-HDMI;20P,Phosphor Bronze,ANGLE	1	S.A	
...3	CN3018	3701-001510	CONNECTOR-DSUB;15P,3R,FEMAIL,STAMPED PIN	1	S.A	
...3	CN906	3707-001081	CONNECTOR-OPTICAL;STRAIGHT,SPDIF	1	S.A	
...3	JA1201	3709-001508	CONNECTOR-CARD SLOT;68P,1.27mm,PIN,PCMCIA	1	S.A	
...3	CN330	3711-000058	HEADER-BOARD TO CABLE;BOX,4P,1R,2.5MM,AN	1	S.A	
...3	CN330	3711-000754	HEADER-BOARD TO CABLE;BOX,20P,2R,2.54mm,	1	S.A	
...3	CN330	3711-003848	HEADER-BOARD TO CABLE;BOX,11P,1R,2mm,ANG	1	S.A	
...3	CN1001	3711-005884	HEADER-BOARD TO BOARD;BOX,30P,2R,2mm,ANG	1	S.A	
...3	JA330	3722-001055	JACK-PHONE;5P/2C,AG,BLK,ANGLE	1	S.A	
...3	JA332	3722-001734	JACK-VHS;4P,SN,BLK,STRAIGHT	1	S.A	
...3	CN9002_NSI	3722-002546	JACK-USB;4P/1C,AU,BLK,ANGLE,A type	1	S.N.A	
...3	JA333	3722-002728	JACK-PIN;3P, SHIELD,Ni,RED/WHT/YEL,ANGLE	1	S.A	
...3	JA333	3722-002751	JACK-PIN;2P+Shield,Ni,WHT/RED,STRAIGHT	1	S.A	
...3	JA333	3722-002751	JACK-PIN;2P+Shield,Ni,WHT/RED,STRAIGHT	1	S.A	
...3	JA333	3722-002754	JACK-PIN;3P+Shield,Ni,GRN/BLU/RED,STRAIG	1	S.A	
...3	JA9001	3722-002757	JACK-MODULAR;8P/8C,N,STRAIGHT,GRN/YEL,AU	1	S.A	
...3	JA330	3722-002758	JACK-PHONE;1P,BLK,STRAIGHT	1	S.A	
...3	JA330	3722-002758	JACK-PHONE;1P,BLK,STRAIGHT	1	S.A	
...3	CN3001	3722-002778	JACK-SCART;21P,SN,BLK	1	S.A	
...3	CN3002	3722-002778	JACK-SCART;21P,SN,BLK	1	S.A	
...3	CIS3	BN40-00126A	TUNER;DNOS403SH101A(S),DNOS403SH101A(S),	1	S.A	
...3	T0066	BN62-00040A	HEAT SINK-ES;SAPPHIRE,T2.0,36*36*6.6,BLK	2	S.N.A	
...3	T0603	BN63-05040A	SHIELD-PCB MAIN;L850,EO,MAIN,SPT, T0.3	1	S.N.A	
...3	HDCP	BN97-00688B	ASSY HDCP;MT8202 IC HDCP Key'	1	S.N.A	
...4		BN46-00018A	KEY CODE-CERTIFICATE;(HDCP KEY)PPM42M5S,	1	S.N.A	
...3	T0174	BN97-02514C	ASSY SMD;LE52A856S1FXXC	1	S.N.A	
...4	SUB05	0202-001477	SOLDER-CREAM;LST309-M,-,D20~45um,96.5Sn/	1	S.N.A	
...4	D1004	0401-001056	DIODE-SWITCHING;MMBD4148SE,100V,200mA,SO	1	S.A	
...4	D3009	0401-001056	DIODE-SWITCHING;MMBD4148SE,100V,200mA,SO	1	S.A	
...4	D3010	0401-001056	DIODE-SWITCHING;MMBD4148SE,100V,200mA,SO	1	S.A	
...4	D3011	0401-001056	DIODE-SWITCHING;MMBD4148SE,100V,200mA,SO	1	S.A	
...4	D3019	0401-001056	DIODE-SWITCHING;MMBD4148SE,100V,200mA,SO	1	S.A	
...4	D3020	0401-001056	DIODE-SWITCHING;MMBD4148SE,100V,200mA,SO	1	S.A	
...4	D3021	0401-001056	DIODE-SWITCHING;MMBD4148SE,100V,200mA,SO	1	S.A	
...4	D3023	0401-001056	DIODE-SWITCHING;MMBD4148SE,100V,200mA,SO	1	S.A	
...4	D3024	0401-001056	DIODE-SWITCHING;MMBD4148SE,100V,200mA,SO	1	S.A	
...4	D3026	0401-001056	DIODE-SWITCHING;MMBD4148SE,100V,200mA,SO	1	S.A	
...4	D3032	0401-001056	DIODE-SWITCHING;MMBD4148SE,100V,200mA,SO	1	S.A	
...4	D3044	0401-001056	DIODE-SWITCHING;MMBD4148SE,100V,200mA,SO	1	S.A	
...4	D3050	0401-001056	DIODE-SWITCHING;MMBD4148SE,100V,200mA,SO	1	S.A	
...4	D3051	0401-001056	DIODE-SWITCHING;MMBD4148SE,100V,200mA,SO	1	S.A	
...4	D3052	0401-001056	DIODE-SWITCHING;MMBD4148SE,100V,200mA,SO	1	S.A	
...4	D3057_4HDM	0401-001056	DIODE-SWITCHING;MMBD4148SE,100V,200mA,SO	1	S.A	
...4	D3058_4HDM	0401-001056	DIODE-SWITCHING;MMBD4148SE,100V,200mA,SO	1	S.A	

5. Exploded View & Part List

Level	Location No.	Code No.	Description & Specification	Q'ty	SA/SNA	Remark
...4	D3060	0401-001056	DIODE-SWITCHING;MMBD4148SE,100V,200mA,SO	1	S.A	
...4	D3061	0401-001056	DIODE-SWITCHING;MMBD4148SE,100V,200mA,SO	1	S.A	
...4	D3201	0401-001056	DIODE-SWITCHING;MMBD4148SE,100V,200mA,SO	1	S.A	
...4	D3202	0401-001056	DIODE-SWITCHING;MMBD4148SE,100V,200mA,SO	1	S.A	
...4	D4004_CEC	0401-001056	DIODE-SWITCHING;MMBD4148SE,100V,200mA,SO	1	S.A	
...4	D5004	0401-001056	DIODE-SWITCHING;MMBD4148SE,100V,200mA,SO	1	S.A	
...4	D5005	0401-001056	DIODE-SWITCHING;MMBD4148SE,100V,200mA,SO	1	S.A	
...4	D5006	0401-001056	DIODE-SWITCHING;MMBD4148SE,100V,200mA,SO	1	S.A	
...4	D5010	0401-001056	DIODE-SWITCHING;MMBD4148SE,100V,200mA,SO	1	S.A	
...4	D5011	0401-001056	DIODE-SWITCHING;MMBD4148SE,100V,200mA,SO	1	S.A	
...4	D5012	0401-001056	DIODE-SWITCHING;MMBD4148SE,100V,200mA,SO	1	S.A	
...4	D5013	0401-001056	DIODE-SWITCHING;MMBD4148SE,100V,200mA,SO	1	S.A	
...4	D9003	0401-001056	DIODE-SWITCHING;MMBD4148SE,100V,200mA,SO	1	S.A	
...4	D9004	0401-001056	DIODE-SWITCHING;MMBD4148SE,100V,200mA,SO	1	S.A	
...4	D9005	0401-001056	DIODE-SWITCHING;MMBD4148SE,100V,200mA,SO	1	S.A	
...4	D9006	0401-001056	DIODE-SWITCHING;MMBD4148SE,100V,200mA,SO	1	S.A	
...4	D1008	0401-001099	DIODE-SWITCHING;1N4148WS,75V,150mA,SOD-3	1	S.A	
...4	D1213	0401-001099	DIODE-SWITCHING;1N4148WS,75V,150mA,SOD-3	1	S.A	
...4	D2001	0401-001099	DIODE-SWITCHING;1N4148WS,75V,150mA,SOD-3	1	S.A	
...4	D2002	0401-001099	DIODE-SWITCHING;1N4148WS,75V,150mA,SOD-3	1	S.A	
...4	D2003	0401-001099	DIODE-SWITCHING;1N4148WS,75V,150mA,SOD-3	1	S.A	
...4	D3071	0401-001099	DIODE-SWITCHING;1N4148WS,75V,150mA,SOD-3	1	S.A	
...4	D3072	0401-001099	DIODE-SWITCHING;1N4148WS,75V,150mA,SOD-3	1	S.A	
...4	D3073	0401-001099	DIODE-SWITCHING;1N4148WS,75V,150mA,SOD-3	1	S.A	
...4	D3074	0401-001099	DIODE-SWITCHING;1N4148WS,75V,150mA,SOD-3	1	S.A	
...4	D3075	0401-001099	DIODE-SWITCHING;1N4148WS,75V,150mA,SOD-3	1	S.A	
...4	D3076	0401-001099	DIODE-SWITCHING;1N4148WS,75V,150mA,SOD-3	1	S.A	
...4	D3077	0401-001099	DIODE-SWITCHING;1N4148WS,75V,150mA,SOD-3	1	S.A	
...4	D3078	0401-001099	DIODE-SWITCHING;1N4148WS,75V,150mA,SOD-3	1	S.A	
...4	D3079	0401-001099	DIODE-SWITCHING;1N4148WS,75V,150mA,SOD-3	1	S.A	
...4	D7008	0401-001099	DIODE-SWITCHING;1N4148WS,75V,150mA,SOD-3	1	S.A	
...4	D0254	0402-000553	DIODE-SCHOTTKY;SS24/B240,40V,2000mA,DO-2	1	S.A	
...4	D0254	0402-000553	DIODE-SCHOTTKY;SS24/B240,40V,2000mA,DO-2	1	S.A	
...4	D0254	0402-000553	DIODE-SCHOTTKY;SS24/B240,40V,2000mA,DO-2	1	S.A	
...4	D0254	0402-000553	DIODE-SCHOTTKY;SS24/B240,40V,2000mA,DO-2	1	S.A	
...4	D0254	0402-000553	DIODE-SCHOTTKY;SS24/B240,40V,2000mA,DO-2	1	S.A	
...4	D0254	0402-000553	DIODE-SCHOTTKY;SS24/B240,40V,2000mA,DO-2	1	S.A	
...4	D2004	0403-000002	DIODE-ZENER;VLZ5V6B,5.45/5.73V,500mW,SOD	1	S.A	
...4	D3007	0403-000002	DIODE-ZENER;VLZ5V6B,5.45/5.73V,500mW,SOD	1	S.A	
...4	D3017	0403-000002	DIODE-ZENER;VLZ5V6B,5.45/5.73V,500mW,SOD	1	S.A	
...4	D3022	0403-000002	DIODE-ZENER;VLZ5V6B,5.45/5.73V,500mW,SOD	1	S.A	
...4	D3033_NSID	0403-000002	DIODE-ZENER;VLZ5V6B,5.45/5.73V,500mW,SOD	1	S.A	
...4	D3039_NSID	0403-000002	DIODE-ZENER;VLZ5V6B,5.45/5.73V,500mW,SOD	1	S.A	
...4	D3046	0403-000002	DIODE-ZENER;VLZ5V6B,5.45/5.73V,500mW,SOD	1	S.A	
...4	D3047	0403-000002	DIODE-ZENER;VLZ5V6B,5.45/5.73V,500mW,SOD	1	S.A	
...4	D3048	0403-000002	DIODE-ZENER;VLZ5V6B,5.45/5.73V,500mW,SOD	1	S.A	
...4	D3049	0403-000002	DIODE-ZENER;VLZ5V6B,5.45/5.73V,500mW,SOD	1	S.A	
...4	D3053	0403-000002	DIODE-ZENER;VLZ5V6B,5.45/5.73V,500mW,SOD	1	S.A	
...4	D3054	0403-000002	DIODE-ZENER;VLZ5V6B,5.45/5.73V,500mW,SOD	1	S.A	
...4	D4007	0403-000002	DIODE-ZENER;VLZ5V6B,5.45/5.73V,500mW,SOD	1	S.A	
...4	D5009	0403-000258	DIODE-ZENER;BZX84C5V6,5.2-6V,225mW,SOT-2	1	S.A	



## 5. Exploded View &amp; Part List

Level	Location No.	Code No.	Description & Specification	Q'ty	SA/SNA	Remark
...4	D4010	0403-000584	DIODE-ZENER;VLZ3V6B,3.6/3.845V,500mW,SOD	1	S.N.A	
...4	D3043	0403-000771	DIODE-ZENER;VLZ6V2B,5.96-6.27V,500mW,SOD	1	S.A	
...4	D3055_4HDM	0403-000771	DIODE-ZENER;VLZ6V2B,5.96-6.27V,500mW,SOD	1	S.A	
...4	D3056	0403-000771	DIODE-ZENER;VLZ6V2B,5.96-6.27V,500mW,SOD	1	S.A	
...4	D3059	0403-000771	DIODE-ZENER;VLZ6V2B,5.96-6.27V,500mW,SOD	1	S.A	
...4	D3066_NSID	0403-000771	DIODE-ZENER;VLZ6V2B,5.96-6.27V,500mW,SOD	1	S.A	
...4	D3067	0403-000771	DIODE-ZENER;VLZ6V2B,5.96-6.27V,500mW,SOD	1	S.A	
...4	D3068	0403-000771	DIODE-ZENER;VLZ6V2B,5.96-6.27V,500mW,SOD	1	S.A	
...4	D3069_4HDM	0403-000771	DIODE-ZENER;VLZ6V2B,5.96-6.27V,500mW,SOD	1	S.A	
...4	D3100	0403-000771	DIODE-ZENER;VLZ6V2B,5.96-6.27V,500mW,SOD	1	S.A	
...4	D3101	0403-000771	DIODE-ZENER;VLZ6V2B,5.96-6.27V,500mW,SOD	1	S.A	
...4	D3102	0403-000771	DIODE-ZENER;VLZ6V2B,5.96-6.27V,500mW,SOD	1	S.A	
...4	D3103	0403-000771	DIODE-ZENER;VLZ6V2B,5.96-6.27V,500mW,SOD	1	S.A	
...4	D9002	0403-000771	DIODE-ZENER;VLZ6V2B,5.96-6.27V,500mW,SOD	1	S.A	
...4	D5014	0403-001052	DIODE-ZENER;RD8.2MB,7.7-8.7V,200mW,SOT-2	1	S.A	
...4	D1005	0403-001425	DIODE-ZENER;BZX84C33,31-35V,350mW,SOT-23	1	S.A	
...4	D0254	0404-001271	DIODE-SCHOTTKY;SSA34,40V,3000mA,SMA,TP	1	S.A	
...4	D3001	0406-001172	DIODE-TVS;CDS3C30GTH,48/-/50V,SMD	1	S.A	
...4	D3002	0406-001172	DIODE-TVS;CDS3C30GTH,48/-/50V,SMD	1	S.A	
...4	D3003	0406-001172	DIODE-TVS;CDS3C30GTH,48/-/50V,SMD	1	S.A	
...4	D3004	0406-001172	DIODE-TVS;CDS3C30GTH,48/-/50V,SMD	1	S.A	
...4	D3005	0406-001172	DIODE-TVS;CDS3C30GTH,48/-/50V,SMD	1	S.A	
...4	D3006	0406-001172	DIODE-TVS;CDS3C30GTH,48/-/50V,SMD	1	S.A	
...4	D3008	0406-001172	DIODE-TVS;CDS3C30GTH,48/-/50V,SMD	1	S.A	
...4	D3012	0406-001172	DIODE-TVS;CDS3C30GTH,48/-/50V,SMD	1	S.A	
...4	D3013	0406-001172	DIODE-TVS;CDS3C30GTH,48/-/50V,SMD	1	S.A	
...4	D3014	0406-001172	DIODE-TVS;CDS3C30GTH,48/-/50V,SMD	1	S.A	
...4	D3015	0406-001172	DIODE-TVS;CDS3C30GTH,48/-/50V,SMD	1	S.A	
...4	D3016	0406-001172	DIODE-TVS;CDS3C30GTH,48/-/50V,SMD	1	S.A	
...4	D3018	0406-001172	DIODE-TVS;CDS3C30GTH,48/-/50V,SMD	1	S.A	
...4	D3025	0406-001172	DIODE-TVS;CDS3C30GTH,48/-/50V,SMD	1	S.A	
...4	D3027	0406-001172	DIODE-TVS;CDS3C30GTH,48/-/50V,SMD	1	S.A	
...4	D3028	0406-001172	DIODE-TVS;CDS3C30GTH,48/-/50V,SMD	1	S.A	
...4	D3029	0406-001172	DIODE-TVS;CDS3C30GTH,48/-/50V,SMD	1	S.A	
...4	D3035_NSID	0406-001172	DIODE-TVS;CDS3C30GTH,48/-/50V,SMD	1	S.A	
...4	D3036	0406-001172	DIODE-TVS;CDS3C30GTH,48/-/50V,SMD	1	S.A	
...4	D3037_NSID	0406-001172	DIODE-TVS;CDS3C30GTH,48/-/50V,SMD	1	S.A	
...4	D3038	0406-001172	DIODE-TVS;CDS3C30GTH,48/-/50V,SMD	1	S.A	
...4	D3040_NSID	0406-001172	DIODE-TVS;CDS3C30GTH,48/-/50V,SMD	1	S.A	
...4	D3041_NSID	0406-001172	DIODE-TVS;CDS3C30GTH,48/-/50V,SMD	1	S.A	
...4	D3042_NSID	0406-001172	DIODE-TVS;CDS3C30GTH,48/-/50V,SMD	1	S.A	
...4	D3062	0406-001172	DIODE-TVS;CDS3C30GTH,48/-/50V,SMD	1	S.A	
...4	D3063	0406-001172	DIODE-TVS;CDS3C30GTH,48/-/50V,SMD	1	S.A	
...4	D3064	0406-001172	DIODE-TVS;CDS3C30GTH,48/-/50V,SMD	1	S.A	
...4	D3065	0406-001172	DIODE-TVS;CDS3C30GTH,48/-/50V,SMD	1	S.A	
...4	D9001	0406-001217	DIODE-TVS;NUP4301MR6,6/-/V,500W,TSOP-6	1	S.A	
...4	IC3011	0406-001299	DIODE-TVS;CM1224-04MR,MSOP-10	1	S.A	
...4	IC3012	0406-001299	DIODE-TVS;CM1224-04MR,MSOP-10	1	S.A	
...4	IC3013	0406-001299	DIODE-TVS;CM1224-04MR,MSOP-10	1	S.A	
...4	IC3014	0406-001299	DIODE-TVS;CM1224-04MR,MSOP-10	1	S.A	
...4	IC3015	0406-001299	DIODE-TVS;CM1224-04MR,MSOP-10	1	S.A	

5. Exploded View & Part List

Level	Location No.	Code No.	Description & Specification	Q'ty	SA/SNA	Remark
...4	IC3016	0406-001299	DIODE-TVS;CM1224-04MR,MSOP-10	1	S.A	
...4	IC3017_4HD	0406-001299	DIODE-TVS;CM1224-04MR,MSOP-10	1	S.A	
...4	IC3018_4HD	0406-001299	DIODE-TVS;CM1224-04MR,MSOP-10	1	S.A	
...4	D2005	0407-000123	DIODE-ARRAY;DAN202K,80V,100mA,CA2-3,SOT-	1	S.A	
...4	D2007	0407-000123	DIODE-ARRAY;DAN202K,80V,100mA,CA2-3,SOT-	1	S.A	
...4	D2010	0407-000123	DIODE-ARRAY;DAN202K,80V,100mA,CA2-3,SOT-	1	S.A	
...4	D4003	0407-000123	DIODE-ARRAY;DAN202K,80V,100mA,CA2-3,SOT-	1	S.A	
...4	D4005	0407-000123	DIODE-ARRAY;DAN202K,80V,100mA,CA2-3,SOT-	1	S.A	
...4	D4006	0407-000123	DIODE-ARRAY;DAN202K,80V,100mA,CA2-3,SOT-	1	S.A	
...4	D4008	0407-000123	DIODE-ARRAY;DAN202K,80V,100mA,CA2-3,SOT-	1	S.A	
...4	D4009	0407-000123	DIODE-ARRAY;DAN202K,80V,100mA,CA2-3,SOT-	1	S.A	
...4	D7001	0407-000123	DIODE-ARRAY;DAN202K,80V,100mA,CA2-3,SOT-	1	S.A	
...4	D7002	0407-000123	DIODE-ARRAY;DAN202K,80V,100mA,CA2-3,SOT-	1	S.A	
...4	D7003	0407-000123	DIODE-ARRAY;DAN202K,80V,100mA,CA2-3,SOT-	1	S.A	
...4	D7004	0407-000123	DIODE-ARRAY;DAN202K,80V,100mA,CA2-3,SOT-	1	S.A	
...4	D7005	0407-000123	DIODE-ARRAY;DAN202K,80V,100mA,CA2-3,SOT-	1	S.A	
...4	D7006	0407-000123	DIODE-ARRAY;DAN202K,80V,100mA,CA2-3,SOT-	1	S.A	
...4	Q3010	0501-000434	TR-SMALL SIGNAL;KTC3875S-GR,NPN,150mW,SO	1	S.A	
...4	Q9001	0501-000434	TR-SMALL SIGNAL;KTC3875S-GR,NPN,150mW,SO	1	S.A	
...4	Q9002	0501-000434	TR-SMALL SIGNAL;KTC3875S-GR,NPN,150mW,SO	1	S.A	
...4	Q1003	0501-000445	TR-SMALL SIGNAL;KTC3875S-Y,NPN,150mW,SOT	1	S.A	
...4	Q1005	0501-000445	TR-SMALL SIGNAL;KTC3875S-Y,NPN,150mW,SOT	1	S.A	
...4	Q2002	0501-000445	TR-SMALL SIGNAL;KTC3875S-Y,NPN,150mW,SOT	1	S.A	
...4	Q3001	0501-000445	TR-SMALL SIGNAL;KTC3875S-Y,NPN,150mW,SOT	1	S.A	
...4	Q3008	0501-000445	TR-SMALL SIGNAL;KTC3875S-Y,NPN,150mW,SOT	1	S.A	
...4	Q3009	0501-000445	TR-SMALL SIGNAL;KTC3875S-Y,NPN,150mW,SOT	1	S.A	
...4	Q3011	0501-000445	TR-SMALL SIGNAL;KTC3875S-Y,NPN,150mW,SOT	1	S.A	
...4	Q3012	0501-000445	TR-SMALL SIGNAL;KTC3875S-Y,NPN,150mW,SOT	1	S.A	
...4	Q3013	0501-000445	TR-SMALL SIGNAL;KTC3875S-Y,NPN,150mW,SOT	1	S.A	
...4	Q3016_4HDM	0501-000445	TR-SMALL SIGNAL;KTC3875S-Y,NPN,150mW,SOT	1	S.A	
...4	Q3017	0501-000445	TR-SMALL SIGNAL;KTC3875S-Y,NPN,150mW,SOT	1	S.A	
...4	Q3018	0501-000445	TR-SMALL SIGNAL;KTC3875S-Y,NPN,150mW,SOT	1	S.A	
...4	Q4002	0501-000445	TR-SMALL SIGNAL;KTC3875S-Y,NPN,150mW,SOT	1	S.A	
...4	Q4003	0501-000445	TR-SMALL SIGNAL;KTC3875S-Y,NPN,150mW,SOT	1	S.A	
...4	Q4004	0501-000445	TR-SMALL SIGNAL;KTC3875S-Y,NPN,150mW,SOT	1	S.A	
...4	Q5006	0501-000445	TR-SMALL SIGNAL;KTC3875S-Y,NPN,150mW,SOT	1	S.A	
...4	Q5007	0501-000445	TR-SMALL SIGNAL;KTC3875S-Y,NPN,150mW,SOT	1	S.A	
...4	Q5008	0501-000445	TR-SMALL SIGNAL;KTC3875S-Y,NPN,150mW,SOT	1	S.A	
...4	Q6001	0501-000445	TR-SMALL SIGNAL;KTC3875S-Y,NPN,150mW,SOT	1	S.A	
...4	Q2001	0501-000669	TR-SMALL SIGNAL;KTA1505Y,PNP,150mW,SOT-2	1	S.A	
...4	Q2003	0501-000669	TR-SMALL SIGNAL;KTA1505Y,PNP,150mW,SOT-2	1	S.A	
...4	Q3004	0501-000669	TR-SMALL SIGNAL;KTA1505Y,PNP,150mW,SOT-2	1	S.A	
...4	Q3005	0501-000669	TR-SMALL SIGNAL;KTA1505Y,PNP,150mW,SOT-2	1	S.A	
...4	Q1002	0501-002080	TR-SMALL SIGNAL;2SC2412K,NPN,200mW,SC-59	1	S.A	
...4	Q1007	0501-002080	TR-SMALL SIGNAL;2SC2412K,NPN,200mW,SC-59	1	S.A	
...4	Q1008	0501-002080	TR-SMALL SIGNAL;2SC2412K,NPN,200mW,SC-59	1	S.A	
...4	Q1009	0501-002080	TR-SMALL SIGNAL;2SC2412K,NPN,200mW,SC-59	1	S.A	
...4	Q3002	0501-002080	TR-SMALL SIGNAL;2SC2412K,NPN,200mW,SC-59	1	S.A	
...4	Q3003	0501-002080	TR-SMALL SIGNAL;2SC2412K,NPN,200mW,SC-59	1	S.A	
...4	Q3006	0501-002080	TR-SMALL SIGNAL;2SC2412K,NPN,200mW,SC-59	1	S.A	
...4	Q3007	0501-002080	TR-SMALL SIGNAL;2SC2412K,NPN,200mW,SC-59	1	S.A	

## 5. Exploded View &amp; Part List

Level	Location No.	Code No.	Description & Specification	Q'ty	SA/SNA	Remark
...4	Q3014_NSID	0501-002184	TR-SMALL SIGNAL;KTD1304,NPN,200mW,SOT-23	1	S.A	
...4	Q3015_NSID	0501-002184	TR-SMALL SIGNAL;KTD1304,NPN,200mW,SOT-23	1	S.A	
...4	Q409	0505-000110	FET-SILICON;2N7002,N,60V,115mA,7.5ohm,0.	1	S.A	
...4	Q409	0505-000110	FET-SILICON;2N7002,N,60V,115mA,7.5ohm,0.	1	S.A	
...4	Q409	0505-000110	FET-SILICON;2N7002,N,60V,115mA,7.5ohm,0.	1	S.A	
...4	Q409	0505-000110	FET-SILICON;2N7002,N,60V,115mA,7.5ohm,0.	1	S.A	
...4	Q409	0505-000110	FET-SILICON;2N7002,N,60V,115mA,7.5ohm,0.	1	S.A	
...4	Q409	0505-001165	FET-SILICON;SI3443BDV,P,-20V,+4.4A,65mo	1	S.A	
...4	Q409	0505-001957	FET-SILICON;NTR2101P,P,-8V,-3.7A,0.052oh	1	S.A	
...4	IC104	0801-002095	IC-CMOS LOGIC;74LCX245,TRANSCEIVER,TSSOP	1	S.A	
...4	IC104	0801-002172	IC-CMOS LOGIC;74LCX16244,BUFFER/LINE DRI	1	S.A	
...4	IC104	0801-002172	IC-CMOS LOGIC;74LCX16244,BUFFER/LINE DRI	1	S.A	
...4	IC104	0801-002237	IC-CMOS LOGIC;74V(A)HC1G04,INVERTER,SC-7	1	S.A	
...4	IC104	0801-002237	IC-CMOS LOGIC;74V(A)HC1G04,INVERTER,SC-7	1	S.A	
...4	IC104	0801-002378	IC-CMOS LOGIC;74VHC04,INVERTER,SOP,14P,8	1	S.A	
...4	IC104	0801-002630	IC-CMOS LOGIC;74AHCT1G08,2-INPUT AND GAT	1	S.A	
...4	IC104	0801-002633	IC-CMOS LOGIC;7WBD3125,2bit BUS SWITCH,S	1	S.A	
...4	IC104	0801-002780	IC-CMOS LOGIC;74LVC1G17,SCHMITT-TRIGGER	1	S.A	
...4	IC520	0903-001552	IC-MICROCONTROLLER;WT61P8-RG480WT,LQFP,4	1	S.A	
...4	T0596	0904-002329	IC-USC;USB2514,QFN,36P,6.55x6.55mm,58.6K	1	S.A	
...4	IC5001	1001-000164	IC-ANALOG MULTIPLEX;74HC4052,CMOS,SOP,16	1	S.A	
...4	IC106	1001-001440	IC-VIDEO SWITCH;SiI9185CTU,QFP,80P,3.3V,	1	S.A	
...4	IC106	1001-001513	IC-VIDEO SWITCH;TMDS351PAG,TQFP,64P,9x9m	1	S.A	
...4	IC3001	1001-001523	IC-ANALOG MULTIPLEX;74HC4052PW,TSSOP,16P	1	S.A	
...4	IC107	1002-001482	IC-D/A CONVERTER;WM8521H9GED/R,16bit,SOI	1	S.A	
...4	IC2002	1002-001509	IC-A/D&D/A CONVERTER;MT8291,24bit,LQFP,4	1	S.A	
...4	IC110	1006-001076	IC-DRIVER/RECEIVER;MAX232ECWE+T,SOP,16P,	1	S.A	
...4	IC112	1103-000129	IC-EEPROM;24C02,2Kbit,256x8Bit,SOP,8P,5x	1	S.A	
...4	IC112	1103-000129	IC-EEPROM;24C02,2Kbit,256x8Bit,SOP,8P,5x	1	S.A	
...4	IC112	1103-000129	IC-EEPROM;24C02,2Kbit,256x8Bit,SOP,8P,5x	1	S.A	
...4	IC112	1103-000129	IC-EEPROM;24C02,2Kbit,256x8Bit,SOP,8P,5x	1	S.A	
...4	IC112	1103-000129	IC-EEPROM;24C02,2Kbit,256x8Bit,SOP,8P,5x	1	S.A	
...4	IC112	1103-001385	IC-EEPROM;AT24C256,256Kbit,32Kx8,SOP,8P,	1	S.A	
...4	IC112	1103-001410	IC-EEPROM;S-24CS08AFJ-TB-1GE,8Kbit,1Kx8,	1	S.A	
...4	IC113	1105-001712	IC-DRAM;HYB25D256163CE,DDR,256Mbit,16Mx1	1	S.A	
...4	IC113	1105-001712	IC-DRAM;HYB25D256163CE,DDR,256Mbit,16Mx1	1	S.A	
...4	IC113	1105-001823	IC-DRAM;HYB25DC512160,DDR,512Mbit,32Mx16	1	S.N.A	
...4	IC113	1105-001823	IC-DRAM;HYB25DC512160,DDR,512Mbit,32Mx16	1	S.N.A	
...4	IC4002	1105-001862	IC-DDR2 SDRAM;K4T56163QI-ZCF7,DDR2 SDRAM	1	S.A	
...4	IC4003	1105-001862	IC-DDR2 SDRAM;K4T56163QI-ZCF7,DDR2 SDRAM	1	S.A	
...4	IC115	1107-001415	IC-FLASH MEMORY;29W320D,4Mx8/2Mx16Bit,TS	1	S.N.A	
...4	IC7013	1107-001740	IC-NAND FLASH;KFH8GH6U4M-DIB6,8Gbit,512M	1	S.A	
...4	DU410	1201-000166	IC-OP AMP;LM358,SOP,ST,8P,150MIL,DUAL,10	1	S.A	
...4	T0124	1201-002677	IC-POWER AMP;NTP3100,QFN56,56P,8x8mm,DUA	1	S.A	
...4	T0087	1203-001815	IC-POSI.FIXED REG.;78M09,TO-252,3P,-,PLA	1	S.A	
...4	T0087	1203-001815	IC-POSI.FIXED REG.;78M09,TO-252,3P,-,PLA	1	S.A	
...4	T0087	1203-002842	IC-POSI.FIXED REG.;AP1117D-33A,TO-252,3P	1	S.A	
...4	IC012	1203-002995	IC-POSI.ADJUST REG.;AP1117D-A,TO-252,3P,	1	S.A	
...4	IC012	1203-002995	IC-POSI.ADJUST REG.;AP1117D-A,TO-252,3P,	1	S.A	
...4	IC012	1203-002995	IC-POSI.ADJUST REG.;AP1117D-A,TO-252,3P,	1	S.A	

5. Exploded View & Part List

Level	Location No.	Code No.	Description & Specification	Q'ty	SA/SNA	Remark
...4	IC012	1203-003038	IC-POSI.ADJUST REG.;LP2995,SO,8P,4.9x3.9	1	S.A	
...4	IC012	1203-003038	IC-POSI.ADJUST REG.;LP2995,SO,8P,4.9x3.9	1	S.A	
...4	IC7011	1203-003394	IC-POWER SUPERVISOR;MIC2544-1YM,SOP,8P,4	1	S.A	
...4	T0087	1203-003695	IC-POSI.FIXED REG.;NCP1117ST33T3G,SOT-22	1	S.A	
...4	T0087	1203-003696	IC-POSI.FIXED REG.;NCP1117DT18T5G,DPAK,3	1	S.A	
...4	IC4004	1203-004363	IC-VOL. DETECTOR;RT9818C-29PV,SOT-23,3P,	1	S.A	
...4	IC2004	1203-004364	IC-VOL. DETECTOR;RT9818C-42PV,SOT-23,3P,	1	S.A	
...4	T0170	1203-004868	IC-SWITCH VOL. REG.;MP2363,SOIC,8P,4.9x3	1	S.A	
...4	T0170	1203-004868	IC-SWITCH VOL. REG.;MP2363,SOIC,8P,4.9x3	1	S.A	
...4	T0170	1203-004868	IC-SWITCH VOL. REG.;MP2363,SOIC,8P,4.9x3	1	S.A	
...4	T0170	1203-004868	IC-SWITCH VOL. REG.;MP2363,SOIC,8P,4.9x3	1	S.A	
...4	IC118	1204-002779	IC-VIDEO PROCESS;S4LF122X01,PBGA,208P,17	1	S.A	
...4	IC118	1204-002869	IC-VIDEO PROCESS;MT8226FJ,BGA,569P,31x31	1	S.A	
...4	IC7001	1204-002888	IC-DECODER;SAM7103,FPBGA,716P,27x27mm,PL	1	S.A	
...4	IC3019	1205-003201	IC-BUS SWITCH;TC7WB125FK,SSOP,8P,2x2.3mm	1	S.A	
...4	IC4011	1205-003201	IC-BUS SWITCH;TC7WB125FK,SSOP,8P,2x2.3mm	1	S.A	
...4	IC9001	1205-003444	IC-ETHERNET CONTROLLER;LAN8700-AEZG,QFN,	1	S.A	
...4	P803T	1404-001223	THERMISTOR-PTC;45mohm,20,6V,-,40A,4A,TP	1	S.A	
...4	IC3007	1405-001185	VARISTOR;24Vdc,1.6x0.8x0.36mm,TP	1	S.A	
...4	IC3009_4HD	1405-001185	VARISTOR;24Vdc,1.6x0.8x0.36mm,TP	1	S.A	
...4	IC3010	1405-001185	VARISTOR;24Vdc,1.6x0.8x0.36mm,TP	1	S.A	
...4	IC4008	1405-001185	VARISTOR;24Vdc,1.6x0.8x0.36mm,TP	1	S.A	
...4	R3195_4HDM	2007-000033	R-CHIP;0ohm,5%,1/4W,TP,3216	1	S.A	
...4	R3196_4HDM	2007-000033	R-CHIP;0ohm,5%,1/4W,TP,3216	1	S.A	
...4	R3299	2007-000033	R-CHIP;0ohm,5%,1/4W,TP,3216	1	S.A	
...4	R3300	2007-000033	R-CHIP;0ohm,5%,1/4W,TP,3216	1	S.A	
...4	R3311	2007-000033	R-CHIP;0ohm,5%,1/4W,TP,3216	1	S.A	
...4	R3312	2007-000033	R-CHIP;0ohm,5%,1/4W,TP,3216	1	S.A	
...4	R1252	2007-000060	R-CHIP;100Kohm,1%,1/10W,TP,1608	1	S.A	
...4	R1253	2007-000060	R-CHIP;100Kohm,1%,1/10W,TP,1608	1	S.A	
...4	R1035	2007-000067	R-CHIP;15Kohm,1%,1/10W,TP,1608	1	S.A	
...4	R1041	2007-000067	R-CHIP;15Kohm,1%,1/10W,TP,1608	1	S.A	
...4	R1121	2007-000067	R-CHIP;15Kohm,1%,1/10W,TP,1608	1	S.A	
...4	R6025	2007-000123	R-CHIP;1.5Kohm,5%,1/10W,TP,1608	1	S.A	
...4	R7346	2007-000123	R-CHIP;1.5Kohm,5%,1/10W,TP,1608	1	S.A	
...4	R1255	2007-000133	R-CHIP;330Kohm,5%,1/10W,TP,1608	1	S.A	
...4	R5028	2007-000133	R-CHIP;330Kohm,5%,1/10W,TP,1608	1	S.A	
...4	R1005	2007-000138	R-CHIP;100ohm,5%,1/16W,TP,1005	1	S.N.A	
...4	R2002	2007-000138	R-CHIP;100ohm,5%,1/16W,TP,1005	1	S.N.A	
...4	R2003	2007-000138	R-CHIP;100ohm,5%,1/16W,TP,1005	1	S.N.A	
...4	R2004	2007-000138	R-CHIP;100ohm,5%,1/16W,TP,1005	1	S.N.A	
...4	R2005	2007-000138	R-CHIP;100ohm,5%,1/16W,TP,1005	1	S.N.A	
...4	R2013	2007-000138	R-CHIP;100ohm,5%,1/16W,TP,1005	1	S.N.A	
...4	R2014	2007-000138	R-CHIP;100ohm,5%,1/16W,TP,1005	1	S.N.A	
...4	R2015	2007-000138	R-CHIP;100ohm,5%,1/16W,TP,1005	1	S.N.A	
...4	R2041	2007-000138	R-CHIP;100ohm,5%,1/16W,TP,1005	1	S.N.A	
...4	R2042	2007-000138	R-CHIP;100ohm,5%,1/16W,TP,1005	1	S.N.A	
...4	R2043	2007-000138	R-CHIP;100ohm,5%,1/16W,TP,1005	1	S.N.A	
...4	R2044	2007-000138	R-CHIP;100ohm,5%,1/16W,TP,1005	1	S.N.A	
...4	R2047	2007-000138	R-CHIP;100ohm,5%,1/16W,TP,1005	1	S.N.A	
...4	R3009	2007-000138	R-CHIP;100ohm,5%,1/16W,TP,1005	1	S.N.A	

## 5. Exploded View &amp; Part List

Level	Location No.	Code No.	Description & Specification	Q'ty	SA/SNA	Remark
...4	R3010	2007-000138	R-CHIP;100ohm,5%,1/16W,TP,1005	1	S.N.A	
...4	R3025	2007-000138	R-CHIP;100ohm,5%,1/16W,TP,1005	1	S.N.A	
...4	R3027	2007-000138	R-CHIP;100ohm,5%,1/16W,TP,1005	1	S.N.A	
...4	R3041	2007-000138	R-CHIP;100ohm,5%,1/16W,TP,1005	1	S.N.A	
...4	R3045	2007-000138	R-CHIP;100ohm,5%,1/16W,TP,1005	1	S.N.A	
...4	R3047	2007-000138	R-CHIP;100ohm,5%,1/16W,TP,1005	1	S.N.A	
...4	R3048	2007-000138	R-CHIP;100ohm,5%,1/16W,TP,1005	1	S.N.A	
...4	R3049	2007-000138	R-CHIP;100ohm,5%,1/16W,TP,1005	1	S.N.A	
...4	R3054	2007-000138	R-CHIP;100ohm,5%,1/16W,TP,1005	1	S.N.A	
...4	R3075	2007-000138	R-CHIP;100ohm,5%,1/16W,TP,1005	1	S.N.A	
...4	R3076	2007-000138	R-CHIP;100ohm,5%,1/16W,TP,1005	1	S.N.A	
...4	R3078	2007-000138	R-CHIP;100ohm,5%,1/16W,TP,1005	1	S.N.A	
...4	R3089	2007-000138	R-CHIP;100ohm,5%,1/16W,TP,1005	1	S.N.A	
...4	R3090	2007-000138	R-CHIP;100ohm,5%,1/16W,TP,1005	1	S.N.A	
...4	R3091	2007-000138	R-CHIP;100ohm,5%,1/16W,TP,1005	1	S.N.A	
...4	R3117	2007-000138	R-CHIP;100ohm,5%,1/16W,TP,1005	1	S.N.A	
...4	R3121_NSID	2007-000138	R-CHIP;100ohm,5%,1/16W,TP,1005	1	S.N.A	
...4	R3122_NSID	2007-000138	R-CHIP;100ohm,5%,1/16W,TP,1005	1	S.N.A	
...4	R3127_NSID	2007-000138	R-CHIP;100ohm,5%,1/16W,TP,1005	1	S.N.A	
...4	R3172	2007-000138	R-CHIP;100ohm,5%,1/16W,TP,1005	1	S.N.A	
...4	R3176	2007-000138	R-CHIP;100ohm,5%,1/16W,TP,1005	1	S.N.A	
...4	R3179	2007-000138	R-CHIP;100ohm,5%,1/16W,TP,1005	1	S.N.A	
...4	R3181	2007-000138	R-CHIP;100ohm,5%,1/16W,TP,1005	1	S.N.A	
...4	R3546_FAN	2007-000138	R-CHIP;100ohm,5%,1/16W,TP,1005	1	S.N.A	
...4	R3547_FAN	2007-000138	R-CHIP;100ohm,5%,1/16W,TP,1005	1	S.N.A	
...4	R3548_FAN	2007-000138	R-CHIP;100ohm,5%,1/16W,TP,1005	1	S.N.A	
...4	R3612	2007-000138	R-CHIP;100ohm,5%,1/16W,TP,1005	1	S.N.A	
...4	R4018	2007-000138	R-CHIP;100ohm,5%,1/16W,TP,1005	1	S.N.A	
...4	R4019	2007-000138	R-CHIP;100ohm,5%,1/16W,TP,1005	1	S.N.A	
...4	R4066	2007-000138	R-CHIP;100ohm,5%,1/16W,TP,1005	1	S.N.A	
...4	R4082	2007-000138	R-CHIP;100ohm,5%,1/16W,TP,1005	1	S.N.A	
...4	R4083	2007-000138	R-CHIP;100ohm,5%,1/16W,TP,1005	1	S.N.A	
...4	R4089	2007-000138	R-CHIP;100ohm,5%,1/16W,TP,1005	1	S.N.A	
...4	R4090	2007-000138	R-CHIP;100ohm,5%,1/16W,TP,1005	1	S.N.A	
...4	R4095	2007-000138	R-CHIP;100ohm,5%,1/16W,TP,1005	1	S.N.A	
...4	R4100	2007-000138	R-CHIP;100ohm,5%,1/16W,TP,1005	1	S.N.A	
...4	R4101	2007-000138	R-CHIP;100ohm,5%,1/16W,TP,1005	1	S.N.A	
...4	R4103	2007-000138	R-CHIP;100ohm,5%,1/16W,TP,1005	1	S.N.A	
...4	R4104	2007-000138	R-CHIP;100ohm,5%,1/16W,TP,1005	1	S.N.A	
...4	R4113	2007-000138	R-CHIP;100ohm,5%,1/16W,TP,1005	1	S.N.A	
...4	R4114	2007-000138	R-CHIP;100ohm,5%,1/16W,TP,1005	1	S.N.A	
...4	R4115	2007-000138	R-CHIP;100ohm,5%,1/16W,TP,1005	1	S.N.A	
...4	R4132	2007-000138	R-CHIP;100ohm,5%,1/16W,TP,1005	1	S.N.A	
...4	R4133	2007-000138	R-CHIP;100ohm,5%,1/16W,TP,1005	1	S.N.A	
...4	R4134	2007-000138	R-CHIP;100ohm,5%,1/16W,TP,1005	1	S.N.A	
...4	R4135	2007-000138	R-CHIP;100ohm,5%,1/16W,TP,1005	1	S.N.A	
...4	R4136	2007-000138	R-CHIP;100ohm,5%,1/16W,TP,1005	1	S.N.A	
...4	R4137	2007-000138	R-CHIP;100ohm,5%,1/16W,TP,1005	1	S.N.A	
...4	R4150	2007-000138	R-CHIP;100ohm,5%,1/16W,TP,1005	1	S.N.A	
...4	R4151	2007-000138	R-CHIP;100ohm,5%,1/16W,TP,1005	1	S.N.A	
...4	R4207	2007-000138	R-CHIP;100ohm,5%,1/16W,TP,1005	1	S.N.A	



5. Exploded View & Part List

Level	Location No.	Code No.	Description & Specification	Q'ty	SA/SNA	Remark
...4	R4208	2007-000138	R-CHIP;100ohm,5%,1/16W,TP,1005	1	S.N.A	
...4	R5073	2007-000138	R-CHIP;100ohm,5%,1/16W,TP,1005	1	S.N.A	
...4	R5074	2007-000138	R-CHIP;100ohm,5%,1/16W,TP,1005	1	S.N.A	
...4	R5520	2007-000138	R-CHIP;100ohm,5%,1/16W,TP,1005	1	S.N.A	
...4	R6013	2007-000138	R-CHIP;100ohm,5%,1/16W,TP,1005	1	S.N.A	
...4	R6014	2007-000138	R-CHIP;100ohm,5%,1/16W,TP,1005	1	S.N.A	
...4	R6016	2007-000138	R-CHIP;100ohm,5%,1/16W,TP,1005	1	S.N.A	
...4	R6017	2007-000138	R-CHIP;100ohm,5%,1/16W,TP,1005	1	S.N.A	
...4	R6018	2007-000138	R-CHIP;100ohm,5%,1/16W,TP,1005	1	S.N.A	
...4	R6019	2007-000138	R-CHIP;100ohm,5%,1/16W,TP,1005	1	S.N.A	
...4	R6020	2007-000138	R-CHIP;100ohm,5%,1/16W,TP,1005	1	S.N.A	
...4	R6021	2007-000138	R-CHIP;100ohm,5%,1/16W,TP,1005	1	S.N.A	
...4	R6031	2007-000138	R-CHIP;100ohm,5%,1/16W,TP,1005	1	S.N.A	
...4	R6038	2007-000138	R-CHIP;100ohm,5%,1/16W,TP,1005	1	S.N.A	
...4	R6039	2007-000138	R-CHIP;100ohm,5%,1/16W,TP,1005	1	S.N.A	
...4	R6043	2007-000138	R-CHIP;100ohm,5%,1/16W,TP,1005	1	S.N.A	
...4	R6044	2007-000138	R-CHIP;100ohm,5%,1/16W,TP,1005	1	S.N.A	
...4	R6045	2007-000138	R-CHIP;100ohm,5%,1/16W,TP,1005	1	S.N.A	
...4	R6046	2007-000138	R-CHIP;100ohm,5%,1/16W,TP,1005	1	S.N.A	
...4	R7021	2007-000138	R-CHIP;100ohm,5%,1/16W,TP,1005	1	S.N.A	
...4	R7022	2007-000138	R-CHIP;100ohm,5%,1/16W,TP,1005	1	S.N.A	
...4	R7023	2007-000138	R-CHIP;100ohm,5%,1/16W,TP,1005	1	S.N.A	
...4	R7024	2007-000138	R-CHIP;100ohm,5%,1/16W,TP,1005	1	S.N.A	
...4	R7025	2007-000138	R-CHIP;100ohm,5%,1/16W,TP,1005	1	S.N.A	
...4	R7026	2007-000138	R-CHIP;100ohm,5%,1/16W,TP,1005	1	S.N.A	
...4	R7027	2007-000138	R-CHIP;100ohm,5%,1/16W,TP,1005	1	S.N.A	
...4	R7028	2007-000138	R-CHIP;100ohm,5%,1/16W,TP,1005	1	S.N.A	
...4	R7037	2007-000138	R-CHIP;100ohm,5%,1/16W,TP,1005	1	S.N.A	
...4	R7049	2007-000138	R-CHIP;100ohm,5%,1/16W,TP,1005	1	S.N.A	
...4	R7054	2007-000138	R-CHIP;100ohm,5%,1/16W,TP,1005	1	S.N.A	
...4	R7055	2007-000138	R-CHIP;100ohm,5%,1/16W,TP,1005	1	S.N.A	
...4	R7056	2007-000138	R-CHIP;100ohm,5%,1/16W,TP,1005	1	S.N.A	
...4	R7057	2007-000138	R-CHIP;100ohm,5%,1/16W,TP,1005	1	S.N.A	
...4	R7058	2007-000138	R-CHIP;100ohm,5%,1/16W,TP,1005	1	S.N.A	
...4	R7059	2007-000138	R-CHIP;100ohm,5%,1/16W,TP,1005	1	S.N.A	
...4	R7060	2007-000138	R-CHIP;100ohm,5%,1/16W,TP,1005	1	S.N.A	
...4	R7061	2007-000138	R-CHIP;100ohm,5%,1/16W,TP,1005	1	S.N.A	
...4	R7066	2007-000138	R-CHIP;100ohm,5%,1/16W,TP,1005	1	S.N.A	
...4	R7069	2007-000138	R-CHIP;100ohm,5%,1/16W,TP,1005	1	S.N.A	
...4	R7321	2007-000138	R-CHIP;100ohm,5%,1/16W,TP,1005	1	S.N.A	
...4	R7415	2007-000138	R-CHIP;100ohm,5%,1/16W,TP,1005	1	S.N.A	
...4	R7416	2007-000138	R-CHIP;100ohm,5%,1/16W,TP,1005	1	S.N.A	
...4	R7417	2007-000138	R-CHIP;100ohm,5%,1/16W,TP,1005	1	S.N.A	
...4	R7418	2007-000138	R-CHIP;100ohm,5%,1/16W,TP,1005	1	S.N.A	
...4	R7419	2007-000138	R-CHIP;100ohm,5%,1/16W,TP,1005	1	S.N.A	
...4	R7420	2007-000138	R-CHIP;100ohm,5%,1/16W,TP,1005	1	S.N.A	
...4	R7428_T	2007-000138	R-CHIP;100ohm,5%,1/16W,TP,1005	1	S.N.A	
...4	R7429_T	2007-000138	R-CHIP;100ohm,5%,1/16W,TP,1005	1	S.N.A	
...4	R9003	2007-000138	R-CHIP;100ohm,5%,1/16W,TP,1005	1	S.N.A	
...4	R9004	2007-000138	R-CHIP;100ohm,5%,1/16W,TP,1005	1	S.N.A	
...4	R9005	2007-000138	R-CHIP;100ohm,5%,1/16W,TP,1005	1	S.N.A	



## 5. Exploded View &amp; Part List

Level	Location No.	Code No.	Description & Specification	Q'ty	SA/SNA	Remark
...4	R9006	2007-000138	R-CHIP;100ohm,5%,1/16W,TP,1005	1	S.N.A	
...4	R9014	2007-000138	R-CHIP;100ohm,5%,1/16W,TP,1005	1	S.N.A	
...4	R9017	2007-000138	R-CHIP;100ohm,5%,1/16W,TP,1005	1	S.N.A	
...4	R9019	2007-000138	R-CHIP;100ohm,5%,1/16W,TP,1005	1	S.N.A	
...4	R9020	2007-000138	R-CHIP;100ohm,5%,1/16W,TP,1005	1	S.N.A	
...4	R2038	2007-000140	R-CHIP;1Kohm,5%,1/16W,TP,1005	1	S.N.A	
...4	R2039	2007-000140	R-CHIP;1Kohm,5%,1/16W,TP,1005	1	S.N.A	
...4	R2057	2007-000140	R-CHIP;1Kohm,5%,1/16W,TP,1005	1	S.N.A	
...4	R3004	2007-000140	R-CHIP;1Kohm,5%,1/16W,TP,1005	1	S.N.A	
...4	R3026	2007-000140	R-CHIP;1Kohm,5%,1/16W,TP,1005	1	S.N.A	
...4	R3028	2007-000140	R-CHIP;1Kohm,5%,1/16W,TP,1005	1	S.N.A	
...4	R3036	2007-000140	R-CHIP;1Kohm,5%,1/16W,TP,1005	1	S.N.A	
...4	R3037	2007-000140	R-CHIP;1Kohm,5%,1/16W,TP,1005	1	S.N.A	
...4	R3042	2007-000140	R-CHIP;1Kohm,5%,1/16W,TP,1005	1	S.N.A	
...4	R3055	2007-000140	R-CHIP;1Kohm,5%,1/16W,TP,1005	1	S.N.A	
...4	R3077	2007-000140	R-CHIP;1Kohm,5%,1/16W,TP,1005	1	S.N.A	
...4	R3079	2007-000140	R-CHIP;1Kohm,5%,1/16W,TP,1005	1	S.N.A	
...4	R3081	2007-000140	R-CHIP;1Kohm,5%,1/16W,TP,1005	1	S.N.A	
...4	R3082	2007-000140	R-CHIP;1Kohm,5%,1/16W,TP,1005	1	S.N.A	
...4	R3099	2007-000140	R-CHIP;1Kohm,5%,1/16W,TP,1005	1	S.N.A	
...4	R3100	2007-000140	R-CHIP;1Kohm,5%,1/16W,TP,1005	1	S.N.A	
...4	R3111	2007-000140	R-CHIP;1Kohm,5%,1/16W,TP,1005	1	S.N.A	
...4	R3118_NSID	2007-000140	R-CHIP;1Kohm,5%,1/16W,TP,1005	1	S.N.A	
...4	R3119_NSID	2007-000140	R-CHIP;1Kohm,5%,1/16W,TP,1005	1	S.N.A	
...4	R3120_NSID	2007-000140	R-CHIP;1Kohm,5%,1/16W,TP,1005	1	S.N.A	
...4	R3128_NSID	2007-000140	R-CHIP;1Kohm,5%,1/16W,TP,1005	1	S.N.A	
...4	R3131	2007-000140	R-CHIP;1Kohm,5%,1/16W,TP,1005	1	S.N.A	
...4	R3168_4HDM	2007-000140	R-CHIP;1Kohm,5%,1/16W,TP,1005	1	S.N.A	
...4	R3184	2007-000140	R-CHIP;1Kohm,5%,1/16W,TP,1005	1	S.N.A	
...4	R3191	2007-000140	R-CHIP;1Kohm,5%,1/16W,TP,1005	1	S.N.A	
...4	R3194_4HDM	2007-000140	R-CHIP;1Kohm,5%,1/16W,TP,1005	1	S.N.A	
...4	R3224	2007-000140	R-CHIP;1Kohm,5%,1/16W,TP,1005	1	S.N.A	
...4	R3225	2007-000140	R-CHIP;1Kohm,5%,1/16W,TP,1005	1	S.N.A	
...4	R3226	2007-000140	R-CHIP;1Kohm,5%,1/16W,TP,1005	1	S.N.A	
...4	R3227	2007-000140	R-CHIP;1Kohm,5%,1/16W,TP,1005	1	S.N.A	
...4	R3228	2007-000140	R-CHIP;1Kohm,5%,1/16W,TP,1005	1	S.N.A	
...4	R3310	2007-000140	R-CHIP;1Kohm,5%,1/16W,TP,1005	1	S.N.A	
...4	R5007	2007-000140	R-CHIP;1Kohm,5%,1/16W,TP,1005	1	S.N.A	
...4	R6033	2007-000140	R-CHIP;1Kohm,5%,1/16W,TP,1005	1	S.N.A	
...4	R6037	2007-000140	R-CHIP;1Kohm,5%,1/16W,TP,1005	1	S.N.A	
...4	R7336	2007-000140	R-CHIP;1Kohm,5%,1/16W,TP,1005	1	S.N.A	
...4	R7357	2007-000140	R-CHIP;1Kohm,5%,1/16W,TP,1005	1	S.N.A	
...4	R1010	2007-000141	R-CHIP;2.2Kohm,5%,1/16W,TP,1005	1	S.N.A	
...4	R5027	2007-000141	R-CHIP;2.2Kohm,5%,1/16W,TP,1005	1	S.N.A	
...4	R6035	2007-000141	R-CHIP;2.2Kohm,5%,1/16W,TP,1005	1	S.N.A	
...4	R1012	2007-000143	R-CHIP;4.7Kohm,5%,1/16W,TP,1005	1	S.A	
...4	R1032	2007-000143	R-CHIP;4.7Kohm,5%,1/16W,TP,1005	1	S.A	
...4	R1569	2007-000143	R-CHIP;4.7Kohm,5%,1/16W,TP,1005	1	S.A	
...4	R2029	2007-000143	R-CHIP;4.7Kohm,5%,1/16W,TP,1005	1	S.A	
...4	R2030	2007-000143	R-CHIP;4.7Kohm,5%,1/16W,TP,1005	1	S.A	
...4	R2058	2007-000143	R-CHIP;4.7Kohm,5%,1/16W,TP,1005	1	S.A	

5. Exploded View & Part List

Level	Location No.	Code No.	Description & Specification	Q'ty	SA/SNA	Remark
...4	R2060	2007-000143	R-CHIP;4.7Kohm,5%,1/16W,TP,1005	1	S.A	
...4	R2061	2007-000143	R-CHIP;4.7Kohm,5%,1/16W,TP,1005	1	S.A	
...4	R2062	2007-000143	R-CHIP;4.7Kohm,5%,1/16W,TP,1005	1	S.A	
...4	R2063	2007-000143	R-CHIP;4.7Kohm,5%,1/16W,TP,1005	1	S.A	
...4	R2064	2007-000143	R-CHIP;4.7Kohm,5%,1/16W,TP,1005	1	S.A	
...4	R3056	2007-000143	R-CHIP;4.7Kohm,5%,1/16W,TP,1005	1	S.A	
...4	R3114	2007-000143	R-CHIP;4.7Kohm,5%,1/16W,TP,1005	1	S.A	
...4	R3182_4HDM	2007-000143	R-CHIP;4.7Kohm,5%,1/16W,TP,1005	1	S.A	
...4	R3190	2007-000143	R-CHIP;4.7Kohm,5%,1/16W,TP,1005	1	S.A	
...4	R3198	2007-000143	R-CHIP;4.7Kohm,5%,1/16W,TP,1005	1	S.A	
...4	R3401	2007-000143	R-CHIP;4.7Kohm,5%,1/16W,TP,1005	1	S.A	
...4	R3402	2007-000143	R-CHIP;4.7Kohm,5%,1/16W,TP,1005	1	S.A	
...4	R3620	2007-000143	R-CHIP;4.7Kohm,5%,1/16W,TP,1005	1	S.A	
...4	R3621	2007-000143	R-CHIP;4.7Kohm,5%,1/16W,TP,1005	1	S.A	
...4	R3623	2007-000143	R-CHIP;4.7Kohm,5%,1/16W,TP,1005	1	S.A	
...4	R3642	2007-000143	R-CHIP;4.7Kohm,5%,1/16W,TP,1005	1	S.A	
...4	R3656	2007-000143	R-CHIP;4.7Kohm,5%,1/16W,TP,1005	1	S.A	
...4	R3657	2007-000143	R-CHIP;4.7Kohm,5%,1/16W,TP,1005	1	S.A	
...4	R3659	2007-000143	R-CHIP;4.7Kohm,5%,1/16W,TP,1005	1	S.A	
...4	R4084	2007-000143	R-CHIP;4.7Kohm,5%,1/16W,TP,1005	1	S.A	
...4	R4091	2007-000143	R-CHIP;4.7Kohm,5%,1/16W,TP,1005	1	S.A	
...4	R4092	2007-000143	R-CHIP;4.7Kohm,5%,1/16W,TP,1005	1	S.A	
...4	R4093	2007-000143	R-CHIP;4.7Kohm,5%,1/16W,TP,1005	1	S.A	
...4	R4108	2007-000143	R-CHIP;4.7Kohm,5%,1/16W,TP,1005	1	S.A	
...4	R4149	2007-000143	R-CHIP;4.7Kohm,5%,1/16W,TP,1005	1	S.A	
...4	R4157	2007-000143	R-CHIP;4.7Kohm,5%,1/16W,TP,1005	1	S.A	
...4	R4158	2007-000143	R-CHIP;4.7Kohm,5%,1/16W,TP,1005	1	S.A	
...4	R4159	2007-000143	R-CHIP;4.7Kohm,5%,1/16W,TP,1005	1	S.A	
...4	R4160	2007-000143	R-CHIP;4.7Kohm,5%,1/16W,TP,1005	1	S.A	
...4	R4161	2007-000143	R-CHIP;4.7Kohm,5%,1/16W,TP,1005	1	S.A	
...4	R4162	2007-000143	R-CHIP;4.7Kohm,5%,1/16W,TP,1005	1	S.A	
...4	R4164	2007-000143	R-CHIP;4.7Kohm,5%,1/16W,TP,1005	1	S.A	
...4	R4167	2007-000143	R-CHIP;4.7Kohm,5%,1/16W,TP,1005	1	S.A	
...4	R4169	2007-000143	R-CHIP;4.7Kohm,5%,1/16W,TP,1005	1	S.A	
...4	R4170_FRM	2007-000143	R-CHIP;4.7Kohm,5%,1/16W,TP,1005	1	S.A	
...4	R4171	2007-000143	R-CHIP;4.7Kohm,5%,1/16W,TP,1005	1	S.A	
...4	R4178	2007-000143	R-CHIP;4.7Kohm,5%,1/16W,TP,1005	1	S.A	
...4	R4193	2007-000143	R-CHIP;4.7Kohm,5%,1/16W,TP,1005	1	S.A	
...4	R4194	2007-000143	R-CHIP;4.7Kohm,5%,1/16W,TP,1005	1	S.A	
...4	R4200	2007-000143	R-CHIP;4.7Kohm,5%,1/16W,TP,1005	1	S.A	
...4	R4211	2007-000143	R-CHIP;4.7Kohm,5%,1/16W,TP,1005	1	S.A	
...4	R4212	2007-000143	R-CHIP;4.7Kohm,5%,1/16W,TP,1005	1	S.A	
...4	R5054	2007-000143	R-CHIP;4.7Kohm,5%,1/16W,TP,1005	1	S.A	
...4	R5055	2007-000143	R-CHIP;4.7Kohm,5%,1/16W,TP,1005	1	S.A	
...4	R5058	2007-000143	R-CHIP;4.7Kohm,5%,1/16W,TP,1005	1	S.A	
...4	R5059	2007-000143	R-CHIP;4.7Kohm,5%,1/16W,TP,1005	1	S.A	
...4	R5060	2007-000143	R-CHIP;4.7Kohm,5%,1/16W,TP,1005	1	S.A	
...4	R5061	2007-000143	R-CHIP;4.7Kohm,5%,1/16W,TP,1005	1	S.A	
...4	R5066	2007-000143	R-CHIP;4.7Kohm,5%,1/16W,TP,1005	1	S.A	
...4	R5069	2007-000143	R-CHIP;4.7Kohm,5%,1/16W,TP,1005	1	S.A	
...4	R5106	2007-000143	R-CHIP;4.7Kohm,5%,1/16W,TP,1005	1	S.A	

## 5. Exploded View &amp; Part List

Level	Location No.	Code No.	Description & Specification	Q'ty	SA/SNA	Remark
...4	R5107	2007-000143	R-CHIP;4.7Kohm,5%,1/16W,TP,1005	1	S.A	
...4	R6001	2007-000143	R-CHIP;4.7Kohm,5%,1/16W,TP,1005	1	S.A	
...4	R6005	2007-000143	R-CHIP;4.7Kohm,5%,1/16W,TP,1005	1	S.A	
...4	R6008_FHD	2007-000143	R-CHIP;4.7Kohm,5%,1/16W,TP,1005	1	S.A	
...4	R6009	2007-000143	R-CHIP;4.7Kohm,5%,1/16W,TP,1005	1	S.A	
...4	R6012	2007-000143	R-CHIP;4.7Kohm,5%,1/16W,TP,1005	1	S.A	
...4	R6027	2007-000143	R-CHIP;4.7Kohm,5%,1/16W,TP,1005	1	S.A	
...4	R6036	2007-000143	R-CHIP;4.7Kohm,5%,1/16W,TP,1005	1	S.A	
...4	R7283	2007-000143	R-CHIP;4.7Kohm,5%,1/16W,TP,1005	1	S.A	
...4	R7284	2007-000143	R-CHIP;4.7Kohm,5%,1/16W,TP,1005	1	S.A	
...4	R7296	2007-000143	R-CHIP;4.7Kohm,5%,1/16W,TP,1005	1	S.A	
...4	R7302	2007-000143	R-CHIP;4.7Kohm,5%,1/16W,TP,1005	1	S.A	
...4	R7303	2007-000143	R-CHIP;4.7Kohm,5%,1/16W,TP,1005	1	S.A	
...4	R7304	2007-000143	R-CHIP;4.7Kohm,5%,1/16W,TP,1005	1	S.A	
...4	R7305	2007-000143	R-CHIP;4.7Kohm,5%,1/16W,TP,1005	1	S.A	
...4	R7306	2007-000143	R-CHIP;4.7Kohm,5%,1/16W,TP,1005	1	S.A	
...4	R7307	2007-000143	R-CHIP;4.7Kohm,5%,1/16W,TP,1005	1	S.A	
...4	R7308	2007-000143	R-CHIP;4.7Kohm,5%,1/16W,TP,1005	1	S.A	
...4	R7309	2007-000143	R-CHIP;4.7Kohm,5%,1/16W,TP,1005	1	S.A	
...4	R7310	2007-000143	R-CHIP;4.7Kohm,5%,1/16W,TP,1005	1	S.A	
...4	R7311	2007-000143	R-CHIP;4.7Kohm,5%,1/16W,TP,1005	1	S.A	
...4	R7312	2007-000143	R-CHIP;4.7Kohm,5%,1/16W,TP,1005	1	S.A	
...4	R7314	2007-000143	R-CHIP;4.7Kohm,5%,1/16W,TP,1005	1	S.A	
...4	R7315	2007-000143	R-CHIP;4.7Kohm,5%,1/16W,TP,1005	1	S.A	
...4	R7316	2007-000143	R-CHIP;4.7Kohm,5%,1/16W,TP,1005	1	S.A	
...4	R7340	2007-000143	R-CHIP;4.7Kohm,5%,1/16W,TP,1005	1	S.A	
...4	R7341	2007-000143	R-CHIP;4.7Kohm,5%,1/16W,TP,1005	1	S.A	
...4	R7342	2007-000143	R-CHIP;4.7Kohm,5%,1/16W,TP,1005	1	S.A	
...4	R7387	2007-000143	R-CHIP;4.7Kohm,5%,1/16W,TP,1005	1	S.A	
...4	R7404	2007-000143	R-CHIP;4.7Kohm,5%,1/16W,TP,1005	1	S.A	
...4	R9026	2007-000143	R-CHIP;4.7Kohm,5%,1/16W,TP,1005	1	S.A	
...4	R9061	2007-000143	R-CHIP;4.7Kohm,5%,1/16W,TP,1005	1	S.A	
...4	R9067	2007-000143	R-CHIP;4.7Kohm,5%,1/16W,TP,1005	1	S.A	
...4	R9068	2007-000143	R-CHIP;4.7Kohm,5%,1/16W,TP,1005	1	S.A	
...4	R1050	2007-000148	R-CHIP;10Kohm,5%,1/16W,TP,1005	1	S.A	
...4	R2049	2007-000148	R-CHIP;10Kohm,5%,1/16W,TP,1005	1	S.A	
...4	R2066	2007-000148	R-CHIP;10Kohm,5%,1/16W,TP,1005	1	S.A	
...4	R2067	2007-000148	R-CHIP;10Kohm,5%,1/16W,TP,1005	1	S.A	
...4	R3134	2007-000148	R-CHIP;10Kohm,5%,1/16W,TP,1005	1	S.A	
...4	R3139	2007-000148	R-CHIP;10Kohm,5%,1/16W,TP,1005	1	S.A	
...4	R3140	2007-000148	R-CHIP;10Kohm,5%,1/16W,TP,1005	1	S.A	
...4	R3174	2007-000148	R-CHIP;10Kohm,5%,1/16W,TP,1005	1	S.A	
...4	R3183	2007-000148	R-CHIP;10Kohm,5%,1/16W,TP,1005	1	S.A	
...4	R3185	2007-000148	R-CHIP;10Kohm,5%,1/16W,TP,1005	1	S.A	
...4	R3186	2007-000148	R-CHIP;10Kohm,5%,1/16W,TP,1005	1	S.A	
...4	R3197_4HDM	2007-000148	R-CHIP;10Kohm,5%,1/16W,TP,1005	1	S.A	
...4	R3199_4HDM	2007-000148	R-CHIP;10Kohm,5%,1/16W,TP,1005	1	S.A	
...4	R3200_4HDM	2007-000148	R-CHIP;10Kohm,5%,1/16W,TP,1005	1	S.A	
...4	R3212	2007-000148	R-CHIP;10Kohm,5%,1/16W,TP,1005	1	S.A	
...4	R3213	2007-000148	R-CHIP;10Kohm,5%,1/16W,TP,1005	1	S.A	
...4	R3214	2007-000148	R-CHIP;10Kohm,5%,1/16W,TP,1005	1	S.A	

5. Exploded View & Part List

Level	Location No.	Code No.	Description & Specification	Q'ty	SA/SNA	Remark
...4	R3218	2007-000148	R-CHIP;10Kohm,5%,1/16W,TP,1005	1	S.A	
...4	R3221	2007-000148	R-CHIP;10Kohm,5%,1/16W,TP,1005	1	S.A	
...4	R3230	2007-000148	R-CHIP;10Kohm,5%,1/16W,TP,1005	1	S.A	
...4	R3611	2007-000148	R-CHIP;10Kohm,5%,1/16W,TP,1005	1	S.A	
...4	R4080	2007-000148	R-CHIP;10Kohm,5%,1/16W,TP,1005	1	S.A	
...4	R4088	2007-000148	R-CHIP;10Kohm,5%,1/16W,TP,1005	1	S.A	
...4	R4098	2007-000148	R-CHIP;10Kohm,5%,1/16W,TP,1005	1	S.A	
...4	R4107	2007-000148	R-CHIP;10Kohm,5%,1/16W,TP,1005	1	S.A	
...4	R4142_IR	2007-000148	R-CHIP;10Kohm,5%,1/16W,TP,1005	1	S.A	
...4	R4155	2007-000148	R-CHIP;10Kohm,5%,1/16W,TP,1005	1	S.A	
...4	R4156	2007-000148	R-CHIP;10Kohm,5%,1/16W,TP,1005	1	S.A	
...4	R4163	2007-000148	R-CHIP;10Kohm,5%,1/16W,TP,1005	1	S.A	
...4	R4168	2007-000148	R-CHIP;10Kohm,5%,1/16W,TP,1005	1	S.A	
...4	R4172_NALM	2007-000148	R-CHIP;10Kohm,5%,1/16W,TP,1005	1	S.A	
...4	R4191_FAN	2007-000148	R-CHIP;10Kohm,5%,1/16W,TP,1005	1	S.A	
...4	R4192_FAN	2007-000148	R-CHIP;10Kohm,5%,1/16W,TP,1005	1	S.A	
...4	R4201	2007-000148	R-CHIP;10Kohm,5%,1/16W,TP,1005	1	S.A	
...4	R4203	2007-000148	R-CHIP;10Kohm,5%,1/16W,TP,1005	1	S.A	
...4	R4206	2007-000148	R-CHIP;10Kohm,5%,1/16W,TP,1005	1	S.A	
...4	R4209	2007-000148	R-CHIP;10Kohm,5%,1/16W,TP,1005	1	S.A	
...4	R4210	2007-000148	R-CHIP;10Kohm,5%,1/16W,TP,1005	1	S.A	
...4	R5043	2007-000148	R-CHIP;10Kohm,5%,1/16W,TP,1005	1	S.A	
...4	R5062	2007-000148	R-CHIP;10Kohm,5%,1/16W,TP,1005	1	S.A	
...4	R5063	2007-000148	R-CHIP;10Kohm,5%,1/16W,TP,1005	1	S.A	
...4	R5067	2007-000148	R-CHIP;10Kohm,5%,1/16W,TP,1005	1	S.A	
...4	R5068	2007-000148	R-CHIP;10Kohm,5%,1/16W,TP,1005	1	S.A	
...4	R6015	2007-000148	R-CHIP;10Kohm,5%,1/16W,TP,1005	1	S.A	
...4	R7042	2007-000148	R-CHIP;10Kohm,5%,1/16W,TP,1005	1	S.A	
...4	R7070	2007-000148	R-CHIP;10Kohm,5%,1/16W,TP,1005	1	S.A	
...4	R7116	2007-000148	R-CHIP;10Kohm,5%,1/16W,TP,1005	1	S.A	
...4	R7117	2007-000148	R-CHIP;10Kohm,5%,1/16W,TP,1005	1	S.A	
...4	R7118	2007-000148	R-CHIP;10Kohm,5%,1/16W,TP,1005	1	S.A	
...4	R7237	2007-000148	R-CHIP;10Kohm,5%,1/16W,TP,1005	1	S.A	
...4	R7253	2007-000148	R-CHIP;10Kohm,5%,1/16W,TP,1005	1	S.A	
...4	R7254	2007-000148	R-CHIP;10Kohm,5%,1/16W,TP,1005	1	S.A	
...4	R7256	2007-000148	R-CHIP;10Kohm,5%,1/16W,TP,1005	1	S.A	
...4	R7274	2007-000148	R-CHIP;10Kohm,5%,1/16W,TP,1005	1	S.A	
...4	R7275	2007-000148	R-CHIP;10Kohm,5%,1/16W,TP,1005	1	S.A	
...4	R7276	2007-000148	R-CHIP;10Kohm,5%,1/16W,TP,1005	1	S.A	
...4	R7277	2007-000148	R-CHIP;10Kohm,5%,1/16W,TP,1005	1	S.A	
...4	R7278	2007-000148	R-CHIP;10Kohm,5%,1/16W,TP,1005	1	S.A	
...4	R7279	2007-000148	R-CHIP;10Kohm,5%,1/16W,TP,1005	1	S.A	
...4	R7319	2007-000148	R-CHIP;10Kohm,5%,1/16W,TP,1005	1	S.A	
...4	R7338	2007-000148	R-CHIP;10Kohm,5%,1/16W,TP,1005	1	S.A	
...4	R7349	2007-000148	R-CHIP;10Kohm,5%,1/16W,TP,1005	1	S.A	
...4	R7350	2007-000148	R-CHIP;10Kohm,5%,1/16W,TP,1005	1	S.A	
...4	R7356	2007-000148	R-CHIP;10Kohm,5%,1/16W,TP,1005	1	S.A	
...4	R7362	2007-000148	R-CHIP;10Kohm,5%,1/16W,TP,1005	1	S.A	
...4	R7367	2007-000148	R-CHIP;10Kohm,5%,1/16W,TP,1005	1	S.A	
...4	R7371	2007-000148	R-CHIP;10Kohm,5%,1/16W,TP,1005	1	S.A	
...4	R7372	2007-000148	R-CHIP;10Kohm,5%,1/16W,TP,1005	1	S.A	

## 5. Exploded View &amp; Part List

Level	Location No.	Code No.	Description & Specification	Q'ty	SA/SNA	Remark
...4	R7378	2007-000148	R-CHIP;10Kohm,5%,1/16W,TP,1005	1	S.A	
...4	R7752	2007-000148	R-CHIP;10Kohm,5%,1/16W,TP,1005	1	S.A	
...4	R9001	2007-000148	R-CHIP;10Kohm,5%,1/16W,TP,1005	1	S.A	
...4	R9011	2007-000148	R-CHIP;10Kohm,5%,1/16W,TP,1005	1	S.A	
...4	R9021	2007-000148	R-CHIP;10Kohm,5%,1/16W,TP,1005	1	S.A	
...4	R9024	2007-000148	R-CHIP;10Kohm,5%,1/16W,TP,1005	1	S.A	
...4	R9025	2007-000148	R-CHIP;10Kohm,5%,1/16W,TP,1005	1	S.A	
...4	R9057	2007-000148	R-CHIP;10Kohm,5%,1/16W,TP,1005	1	S.A	
...4	R9060	2007-000148	R-CHIP;10Kohm,5%,1/16W,TP,1005	1	S.A	
...4	R9062	2007-000148	R-CHIP;10Kohm,5%,1/16W,TP,1005	1	S.A	
...4	R9063	2007-000148	R-CHIP;10Kohm,5%,1/16W,TP,1005	1	S.A	
...4	R9064	2007-000148	R-CHIP;10Kohm,5%,1/16W,TP,1005	1	S.A	
...4	R9569	2007-000148	R-CHIP;10Kohm,5%,1/16W,TP,1005	1	S.A	
...4	R9570	2007-000148	R-CHIP;10Kohm,5%,1/16W,TP,1005	1	S.A	
...4	R1027	2007-000153	R-CHIP;22Kohm,5%,1/16W,TP,1005	1	S.A	
...4	R5026	2007-000153	R-CHIP;22Kohm,5%,1/16W,TP,1005	1	S.A	
...4	R4072_CEC	2007-000155	R-CHIP;27Kohm,5%,1/16W,TP,1005	1	S.A	
...4	R3011	2007-000157	R-CHIP;47Kohm,5%,1/16W,TP,1005	1	S.A	
...4	R3013	2007-000157	R-CHIP;47Kohm,5%,1/16W,TP,1005	1	S.A	
...4	R3059	2007-000157	R-CHIP;47Kohm,5%,1/16W,TP,1005	1	S.A	
...4	R3061	2007-000157	R-CHIP;47Kohm,5%,1/16W,TP,1005	1	S.A	
...4	R3072	2007-000157	R-CHIP;47Kohm,5%,1/16W,TP,1005	1	S.A	
...4	R3080	2007-000157	R-CHIP;47Kohm,5%,1/16W,TP,1005	1	S.A	
...4	R3101_NSID	2007-000157	R-CHIP;47Kohm,5%,1/16W,TP,1005	1	S.A	
...4	R3102_NSID	2007-000157	R-CHIP;47Kohm,5%,1/16W,TP,1005	1	S.A	
...4	R3103_NSID	2007-000157	R-CHIP;47Kohm,5%,1/16W,TP,1005	1	S.A	
...4	R3104_NSID	2007-000157	R-CHIP;47Kohm,5%,1/16W,TP,1005	1	S.A	
...4	R3211	2007-000157	R-CHIP;47Kohm,5%,1/16W,TP,1005	1	S.A	
...4	R3215	2007-000157	R-CHIP;47Kohm,5%,1/16W,TP,1005	1	S.A	
...4	R3219	2007-000157	R-CHIP;47Kohm,5%,1/16W,TP,1005	1	S.A	
...4	R3229	2007-000157	R-CHIP;47Kohm,5%,1/16W,TP,1005	1	S.A	
...4	R3616	2007-000157	R-CHIP;47Kohm,5%,1/16W,TP,1005	1	S.A	
...4	R3617	2007-000157	R-CHIP;47Kohm,5%,1/16W,TP,1005	1	S.A	
...4	R4177	2007-000157	R-CHIP;47Kohm,5%,1/16W,TP,1005	1	S.A	
...4	R4174_CEC	2007-000159	R-CHIP;56Kohm,5%,1/16W,TP,1005	1	S.A	
...4	R4086	2007-000170	R-CHIP;1Mohm,5%,1/16W,TP,1005	1	S.A	
...4	R9008	2007-000170	R-CHIP;1Mohm,5%,1/16W,TP,1005	1	S.A	
...4	R9073	2007-000170	R-CHIP;1Mohm,5%,1/16W,TP,1005	1	S.A	
...4	L850	2007-000171	R-CHIP;0ohm,5%,1/16W,TP,1005	1	S.A	
...4	L850_40	2007-000171	R-CHIP;0ohm,5%,1/16W,TP,1005	1	S.A	
...4	L950	2007-000171	R-CHIP;0ohm,5%,1/16W,TP,1005	1	S.A	
...4	L950_46	2007-000171	R-CHIP;0ohm,5%,1/16W,TP,1005	1	S.A	
...4	R1040	2007-000171	R-CHIP;0ohm,5%,1/16W,TP,1005	1	S.A	
...4	R1565	2007-000171	R-CHIP;0ohm,5%,1/16W,TP,1005	1	S.A	
...4	R2065	2007-000171	R-CHIP;0ohm,5%,1/16W,TP,1005	1	S.A	
...4	R2084_4SPK	2007-000171	R-CHIP;0ohm,5%,1/16W,TP,1005	1	S.A	
...4	R2085_4SPK	2007-000171	R-CHIP;0ohm,5%,1/16W,TP,1005	1	S.A	
...4	R2086	2007-000171	R-CHIP;0ohm,5%,1/16W,TP,1005	1	S.A	
...4	R3029	2007-000171	R-CHIP;0ohm,5%,1/16W,TP,1005	1	S.A	
...4	R3065	2007-000171	R-CHIP;0ohm,5%,1/16W,TP,1005	1	S.A	
...4	R3074	2007-000171	R-CHIP;0ohm,5%,1/16W,TP,1005	1	S.A	

5. Exploded View & Part List

Level	Location No.	Code No.	Description & Specification	Q'ty	SA/SNA	Remark
...4	R3109	2007-000171	R-CHIP;0ohm,5%,1/16W,TP,1005	1	S.A	
...4	R3123_NSID	2007-000171	R-CHIP;0ohm,5%,1/16W,TP,1005	1	S.A	
...4	R3125_NSID	2007-000171	R-CHIP;0ohm,5%,1/16W,TP,1005	1	S.A	
...4	R3167_4HDM	2007-000171	R-CHIP;0ohm,5%,1/16W,TP,1005	1	S.A	
...4	R3187	2007-000171	R-CHIP;0ohm,5%,1/16W,TP,1005	1	S.A	
...4	R3192	2007-000171	R-CHIP;0ohm,5%,1/16W,TP,1005	1	S.A	
...4	R3193	2007-000171	R-CHIP;0ohm,5%,1/16W,TP,1005	1	S.A	
...4	R3220	2007-000171	R-CHIP;0ohm,5%,1/16W,TP,1005	1	S.A	
...4	R3301	2007-000171	R-CHIP;0ohm,5%,1/16W,TP,1005	1	S.A	
...4	R3302	2007-000171	R-CHIP;0ohm,5%,1/16W,TP,1005	1	S.A	
...4	R3303	2007-000171	R-CHIP;0ohm,5%,1/16W,TP,1005	1	S.A	
...4	R3304	2007-000171	R-CHIP;0ohm,5%,1/16W,TP,1005	1	S.A	
...4	R3305	2007-000171	R-CHIP;0ohm,5%,1/16W,TP,1005	1	S.A	
...4	R3306	2007-000171	R-CHIP;0ohm,5%,1/16W,TP,1005	1	S.A	
...4	R3307	2007-000171	R-CHIP;0ohm,5%,1/16W,TP,1005	1	S.A	
...4	R3308	2007-000171	R-CHIP;0ohm,5%,1/16W,TP,1005	1	S.A	
...4	R3332_NSID	2007-000171	R-CHIP;0ohm,5%,1/16W,TP,1005	1	S.A	
...4	R3403	2007-000171	R-CHIP;0ohm,5%,1/16W,TP,1005	1	S.A	
...4	R3404	2007-000171	R-CHIP;0ohm,5%,1/16W,TP,1005	1	S.A	
...4	R3405	2007-000171	R-CHIP;0ohm,5%,1/16W,TP,1005	1	S.A	
...4	R3423	2007-000171	R-CHIP;0ohm,5%,1/16W,TP,1005	1	S.A	
...4	R3505_NPX	2007-000171	R-CHIP;0ohm,5%,1/16W,TP,1005	1	S.A	
...4	R3506_NPX	2007-000171	R-CHIP;0ohm,5%,1/16W,TP,1005	1	S.A	
...4	R3509_NPX	2007-000171	R-CHIP;0ohm,5%,1/16W,TP,1005	1	S.A	
...4	R3510_NPX	2007-000171	R-CHIP;0ohm,5%,1/16W,TP,1005	1	S.A	
...4	R3601	2007-000171	R-CHIP;0ohm,5%,1/16W,TP,1005	1	S.A	
...4	R3602	2007-000171	R-CHIP;0ohm,5%,1/16W,TP,1005	1	S.A	
...4	R3603	2007-000171	R-CHIP;0ohm,5%,1/16W,TP,1005	1	S.A	
...4	R3604	2007-000171	R-CHIP;0ohm,5%,1/16W,TP,1005	1	S.A	
...4	R3605	2007-000171	R-CHIP;0ohm,5%,1/16W,TP,1005	1	S.A	
...4	R3606	2007-000171	R-CHIP;0ohm,5%,1/16W,TP,1005	1	S.A	
...4	R3607	2007-000171	R-CHIP;0ohm,5%,1/16W,TP,1005	1	S.A	
...4	R3608	2007-000171	R-CHIP;0ohm,5%,1/16W,TP,1005	1	S.A	
...4	R3609	2007-000171	R-CHIP;0ohm,5%,1/16W,TP,1005	1	S.A	
...4	R3610	2007-000171	R-CHIP;0ohm,5%,1/16W,TP,1005	1	S.A	
...4	R3613	2007-000171	R-CHIP;0ohm,5%,1/16W,TP,1005	1	S.A	
...4	R3614	2007-000171	R-CHIP;0ohm,5%,1/16W,TP,1005	1	S.A	
...4	R3618	2007-000171	R-CHIP;0ohm,5%,1/16W,TP,1005	1	S.A	
...4	R3619	2007-000171	R-CHIP;0ohm,5%,1/16W,TP,1005	1	S.A	
...4	R3626	2007-000171	R-CHIP;0ohm,5%,1/16W,TP,1005	1	S.A	
...4	R3627	2007-000171	R-CHIP;0ohm,5%,1/16W,TP,1005	1	S.A	
...4	R3628	2007-000171	R-CHIP;0ohm,5%,1/16W,TP,1005	1	S.A	
...4	R3629	2007-000171	R-CHIP;0ohm,5%,1/16W,TP,1005	1	S.A	
...4	R3638	2007-000171	R-CHIP;0ohm,5%,1/16W,TP,1005	1	S.A	
...4	R3639	2007-000171	R-CHIP;0ohm,5%,1/16W,TP,1005	1	S.A	
...4	R3640	2007-000171	R-CHIP;0ohm,5%,1/16W,TP,1005	1	S.A	
...4	R3643	2007-000171	R-CHIP;0ohm,5%,1/16W,TP,1005	1	S.A	
...4	R3650	2007-000171	R-CHIP;0ohm,5%,1/16W,TP,1005	1	S.A	
...4	R4020_T	2007-000171	R-CHIP;0ohm,5%,1/16W,TP,1005	1	S.A	
...4	R4021_T	2007-000171	R-CHIP;0ohm,5%,1/16W,TP,1005	1	S.A	
...4	R4022_T	2007-000171	R-CHIP;0ohm,5%,1/16W,TP,1005	1	S.A	



## 5. Exploded View &amp; Part List

Level	Location No.	Code No.	Description & Specification	Q'ty	SA/SNA	Remark
...4	R4059	2007-000171	R-CHIP;0ohm,5%,1/16W,TP,1005	1	S.A	
...4	R4063	2007-000171	R-CHIP;0ohm,5%,1/16W,TP,1005	1	S.A	
...4	R4064	2007-000171	R-CHIP;0ohm,5%,1/16W,TP,1005	1	S.A	
...4	R4067	2007-000171	R-CHIP;0ohm,5%,1/16W,TP,1005	1	S.A	
...4	R4068	2007-000171	R-CHIP;0ohm,5%,1/16W,TP,1005	1	S.A	
...4	R4069	2007-000171	R-CHIP;0ohm,5%,1/16W,TP,1005	1	S.A	
...4	R4071	2007-000171	R-CHIP;0ohm,5%,1/16W,TP,1005	1	S.A	
...4	R4099	2007-000171	R-CHIP;0ohm,5%,1/16W,TP,1005	1	S.A	
...4	R4105	2007-000171	R-CHIP;0ohm,5%,1/16W,TP,1005	1	S.A	
...4	R4106	2007-000171	R-CHIP;0ohm,5%,1/16W,TP,1005	1	S.A	
...4	R4109	2007-000171	R-CHIP;0ohm,5%,1/16W,TP,1005	1	S.A	
...4	R4110	2007-000171	R-CHIP;0ohm,5%,1/16W,TP,1005	1	S.A	
...4	R4111	2007-000171	R-CHIP;0ohm,5%,1/16W,TP,1005	1	S.A	
...4	R4112	2007-000171	R-CHIP;0ohm,5%,1/16W,TP,1005	1	S.A	
...4	R4116	2007-000171	R-CHIP;0ohm,5%,1/16W,TP,1005	1	S.A	
...4	R4118	2007-000171	R-CHIP;0ohm,5%,1/16W,TP,1005	1	S.A	
...4	R4121	2007-000171	R-CHIP;0ohm,5%,1/16W,TP,1005	1	S.A	
...4	R4140	2007-000171	R-CHIP;0ohm,5%,1/16W,TP,1005	1	S.A	
...4	R4143	2007-000171	R-CHIP;0ohm,5%,1/16W,TP,1005	1	S.A	
...4	R4144	2007-000171	R-CHIP;0ohm,5%,1/16W,TP,1005	1	S.A	
...4	R4176	2007-000171	R-CHIP;0ohm,5%,1/16W,TP,1005	1	S.A	
...4	R4179	2007-000171	R-CHIP;0ohm,5%,1/16W,TP,1005	1	S.A	
...4	R4180	2007-000171	R-CHIP;0ohm,5%,1/16W,TP,1005	1	S.A	
...4	R4181	2007-000171	R-CHIP;0ohm,5%,1/16W,TP,1005	1	S.A	
...4	R4205	2007-000171	R-CHIP;0ohm,5%,1/16W,TP,1005	1	S.A	
...4	R5020	2007-000171	R-CHIP;0ohm,5%,1/16W,TP,1005	1	S.A	
...4	R5023	2007-000171	R-CHIP;0ohm,5%,1/16W,TP,1005	1	S.A	
...4	R5024	2007-000171	R-CHIP;0ohm,5%,1/16W,TP,1005	1	S.A	
...4	R5030	2007-000171	R-CHIP;0ohm,5%,1/16W,TP,1005	1	S.A	
...4	R5032	2007-000171	R-CHIP;0ohm,5%,1/16W,TP,1005	1	S.A	
...4	R6022_T	2007-000171	R-CHIP;0ohm,5%,1/16W,TP,1005	1	S.A	
...4	R6023_T	2007-000171	R-CHIP;0ohm,5%,1/16W,TP,1005	1	S.A	
...4	R6024_T	2007-000171	R-CHIP;0ohm,5%,1/16W,TP,1005	1	S.A	
...4	R6026_T	2007-000171	R-CHIP;0ohm,5%,1/16W,TP,1005	1	S.A	
...4	R6030	2007-000171	R-CHIP;0ohm,5%,1/16W,TP,1005	1	S.A	
...4	R6042	2007-000171	R-CHIP;0ohm,5%,1/16W,TP,1005	1	S.A	
...4	R6047_100H	2007-000171	R-CHIP;0ohm,5%,1/16W,TP,1005	1	S.A	
...4	R6050_100H	2007-000171	R-CHIP;0ohm,5%,1/16W,TP,1005	1	S.A	
...4	R6051_100P	2007-000171	R-CHIP;0ohm,5%,1/16W,TP,1005	1	S.A	
...4	R6052_100P	2007-000171	R-CHIP;0ohm,5%,1/16W,TP,1005	1	S.A	
...4	R6053_100H	2007-000171	R-CHIP;0ohm,5%,1/16W,TP,1005	1	S.A	
...4	R6054_100H	2007-000171	R-CHIP;0ohm,5%,1/16W,TP,1005	1	S.A	
...4	R6056_FJDA	2007-000171	R-CHIP;0ohm,5%,1/16W,TP,1005	1	S.A	
...4	R6068_T	2007-000171	R-CHIP;0ohm,5%,1/16W,TP,1005	1	S.A	
...4	R6069_T	2007-000171	R-CHIP;0ohm,5%,1/16W,TP,1005	1	S.A	
...4	R6070_T	2007-000171	R-CHIP;0ohm,5%,1/16W,TP,1005	1	S.A	
...4	R6073_100H	2007-000171	R-CHIP;0ohm,5%,1/16W,TP,1005	1	S.A	
...4	R6074_100H	2007-000171	R-CHIP;0ohm,5%,1/16W,TP,1005	1	S.A	
...4	R6078_FBE3	2007-000171	R-CHIP;0ohm,5%,1/16W,TP,1005	1	S.A	
...4	R6083_100H	2007-000171	R-CHIP;0ohm,5%,1/16W,TP,1005	1	S.A	
...4	R6084_100H	2007-000171	R-CHIP;0ohm,5%,1/16W,TP,1005	1	S.A	

5. Exploded View & Part List

Level	Location No.	Code No.	Description & Specification	Q'ty	SA/SNA	Remark
...4	R6133	2007-000171	R-CHIP;0ohm,5%,1/16W,TP,1005	1	S.A	
...4	R6204	2007-000171	R-CHIP;0ohm,5%,1/16W,TP,1005	1	S.A	
...4	R6205	2007-000171	R-CHIP;0ohm,5%,1/16W,TP,1005	1	S.A	
...4	R6206	2007-000171	R-CHIP;0ohm,5%,1/16W,TP,1005	1	S.A	
...4	R6207	2007-000171	R-CHIP;0ohm,5%,1/16W,TP,1005	1	S.A	
...4	R7029	2007-000171	R-CHIP;0ohm,5%,1/16W,TP,1005	1	S.A	
...4	R7031_T	2007-000171	R-CHIP;0ohm,5%,1/16W,TP,1005	1	S.A	
...4	R7043_T	2007-000171	R-CHIP;0ohm,5%,1/16W,TP,1005	1	S.A	
...4	R7044	2007-000171	R-CHIP;0ohm,5%,1/16W,TP,1005	1	S.A	
...4	R7096	2007-000171	R-CHIP;0ohm,5%,1/16W,TP,1005	1	S.A	
...4	R7097	2007-000171	R-CHIP;0ohm,5%,1/16W,TP,1005	1	S.A	
...4	R7114	2007-000171	R-CHIP;0ohm,5%,1/16W,TP,1005	1	S.A	
...4	R7115	2007-000171	R-CHIP;0ohm,5%,1/16W,TP,1005	1	S.A	
...4	R7243	2007-000171	R-CHIP;0ohm,5%,1/16W,TP,1005	1	S.A	
...4	R7244	2007-000171	R-CHIP;0ohm,5%,1/16W,TP,1005	1	S.A	
...4	R7247	2007-000171	R-CHIP;0ohm,5%,1/16W,TP,1005	1	S.A	
...4	R7249	2007-000171	R-CHIP;0ohm,5%,1/16W,TP,1005	1	S.A	
...4	R7250	2007-000171	R-CHIP;0ohm,5%,1/16W,TP,1005	1	S.A	
...4	R7251	2007-000171	R-CHIP;0ohm,5%,1/16W,TP,1005	1	S.A	
...4	R7273	2007-000171	R-CHIP;0ohm,5%,1/16W,TP,1005	1	S.A	
...4	R7282	2007-000171	R-CHIP;0ohm,5%,1/16W,TP,1005	1	S.A	
...4	R7313	2007-000171	R-CHIP;0ohm,5%,1/16W,TP,1005	1	S.A	
...4	R7318	2007-000171	R-CHIP;0ohm,5%,1/16W,TP,1005	1	S.A	
...4	R7339	2007-000171	R-CHIP;0ohm,5%,1/16W,TP,1005	1	S.A	
...4	R7343	2007-000171	R-CHIP;0ohm,5%,1/16W,TP,1005	1	S.A	
...4	R7344	2007-000171	R-CHIP;0ohm,5%,1/16W,TP,1005	1	S.A	
...4	R7345	2007-000171	R-CHIP;0ohm,5%,1/16W,TP,1005	1	S.A	
...4	R7347	2007-000171	R-CHIP;0ohm,5%,1/16W,TP,1005	1	S.A	
...4	R7389	2007-000171	R-CHIP;0ohm,5%,1/16W,TP,1005	1	S.A	
...4	R7390	2007-000171	R-CHIP;0ohm,5%,1/16W,TP,1005	1	S.A	
...4	R7392	2007-000171	R-CHIP;0ohm,5%,1/16W,TP,1005	1	S.A	
...4	R7401	2007-000171	R-CHIP;0ohm,5%,1/16W,TP,1005	1	S.A	
...4	R7406	2007-000171	R-CHIP;0ohm,5%,1/16W,TP,1005	1	S.A	
...4	R7407	2007-000171	R-CHIP;0ohm,5%,1/16W,TP,1005	1	S.A	
...4	R7410	2007-000171	R-CHIP;0ohm,5%,1/16W,TP,1005	1	S.A	
...4	R7411	2007-000171	R-CHIP;0ohm,5%,1/16W,TP,1005	1	S.A	
...4	R7412	2007-000171	R-CHIP;0ohm,5%,1/16W,TP,1005	1	S.A	
...4	R7421	2007-000171	R-CHIP;0ohm,5%,1/16W,TP,1005	1	S.A	
...4	R7422	2007-000171	R-CHIP;0ohm,5%,1/16W,TP,1005	1	S.A	
...4	R7423	2007-000171	R-CHIP;0ohm,5%,1/16W,TP,1005	1	S.A	
...4	R7424	2007-000171	R-CHIP;0ohm,5%,1/16W,TP,1005	1	S.A	
...4	R7425	2007-000171	R-CHIP;0ohm,5%,1/16W,TP,1005	1	S.A	
...4	R7426	2007-000171	R-CHIP;0ohm,5%,1/16W,TP,1005	1	S.A	
...4	R7427	2007-000171	R-CHIP;0ohm,5%,1/16W,TP,1005	1	S.A	
...4	R7430	2007-000171	R-CHIP;0ohm,5%,1/16W,TP,1005	1	S.A	
...4	R7431	2007-000171	R-CHIP;0ohm,5%,1/16W,TP,1005	1	S.A	
...4	R7432	2007-000171	R-CHIP;0ohm,5%,1/16W,TP,1005	1	S.A	
...4	R7436	2007-000171	R-CHIP;0ohm,5%,1/16W,TP,1005	1	S.A	
...4	R9010	2007-000171	R-CHIP;0ohm,5%,1/16W,TP,1005	1	S.A	
...4	R9012	2007-000171	R-CHIP;0ohm,5%,1/16W,TP,1005	1	S.A	
...4	R9013	2007-000171	R-CHIP;0ohm,5%,1/16W,TP,1005	1	S.A	

## 5. Exploded View &amp; Part List

Level	Location No.	Code No.	Description & Specification	Q'ty	SA/SNA	Remark
...4	R9015	2007-000171	R-CHIP;0ohm,5%,1/16W,TP,1005	1	S.A	
...4	R9018	2007-000171	R-CHIP;0ohm,5%,1/16W,TP,1005	1	S.A	
...4	R9034	2007-000171	R-CHIP;0ohm,5%,1/16W,TP,1005	1	S.A	
...4	R9035	2007-000171	R-CHIP;0ohm,5%,1/16W,TP,1005	1	S.A	
...4	R9036	2007-000171	R-CHIP;0ohm,5%,1/16W,TP,1005	1	S.A	
...4	R9037	2007-000171	R-CHIP;0ohm,5%,1/16W,TP,1005	1	S.A	
...4	R9038	2007-000171	R-CHIP;0ohm,5%,1/16W,TP,1005	1	S.A	
...4	R9056	2007-000171	R-CHIP;0ohm,5%,1/16W,TP,1005	1	S.A	
...4	R9070	2007-000171	R-CHIP;0ohm,5%,1/16W,TP,1005	1	S.A	
...4	R9071	2007-000171	R-CHIP;0ohm,5%,1/16W,TP,1005	1	S.A	
...4	R9170	2007-000171	R-CHIP;0ohm,5%,1/16W,TP,1005	1	S.A	
...4	R9171	2007-000171	R-CHIP;0ohm,5%,1/16W,TP,1005	1	S.A	
...4	R9172	2007-000171	R-CHIP;0ohm,5%,1/16W,TP,1005	1	S.A	
...4	R9173	2007-000171	R-CHIP;0ohm,5%,1/16W,TP,1005	1	S.A	
...4	R9568	2007-000171	R-CHIP;0ohm,5%,1/16W,TP,1005	1	S.A	
...4	R1606	2007-000172	R-CHIP;10ohm,5%,1/16W,TP,1005	1	S.A	
...4	R3630	2007-000172	R-CHIP;10ohm,5%,1/16W,TP,1005	1	S.A	
...4	R3631	2007-000172	R-CHIP;10ohm,5%,1/16W,TP,1005	1	S.A	
...4	R3632	2007-000172	R-CHIP;10ohm,5%,1/16W,TP,1005	1	S.A	
...4	R3633	2007-000172	R-CHIP;10ohm,5%,1/16W,TP,1005	1	S.A	
...4	R3634	2007-000172	R-CHIP;10ohm,5%,1/16W,TP,1005	1	S.A	
...4	R3635	2007-000172	R-CHIP;10ohm,5%,1/16W,TP,1005	1	S.A	
...4	R3636	2007-000172	R-CHIP;10ohm,5%,1/16W,TP,1005	1	S.A	
...4	R3637	2007-000172	R-CHIP;10ohm,5%,1/16W,TP,1005	1	S.A	
...4	R4117	2007-000172	R-CHIP;10ohm,5%,1/16W,TP,1005	1	S.A	
...4	R5038	2007-000172	R-CHIP;10ohm,5%,1/16W,TP,1005	1	S.A	
...4	R5039	2007-000172	R-CHIP;10ohm,5%,1/16W,TP,1005	1	S.A	
...4	R9007	2007-000172	R-CHIP;10ohm,5%,1/16W,TP,1005	1	S.A	
...4	R9022	2007-000172	R-CHIP;10ohm,5%,1/16W,TP,1005	1	S.A	
...4	R9023	2007-000172	R-CHIP;10ohm,5%,1/16W,TP,1005	1	S.A	
...4	R9028	2007-000172	R-CHIP;10ohm,5%,1/16W,TP,1005	1	S.A	
...4	R9045	2007-000172	R-CHIP;10ohm,5%,1/16W,TP,1005	1	S.A	
...4	R3169	2007-000173	R-CHIP;22ohm,5%,1/16W,TP,1005	1	S.A	
...4	R3173	2007-000173	R-CHIP;22ohm,5%,1/16W,TP,1005	1	S.A	
...4	R4011	2007-000173	R-CHIP;22ohm,5%,1/16W,TP,1005	1	S.A	
...4	R4012	2007-000173	R-CHIP;22ohm,5%,1/16W,TP,1005	1	S.A	
...4	R4013	2007-000173	R-CHIP;22ohm,5%,1/16W,TP,1005	1	S.A	
...4	R4014	2007-000173	R-CHIP;22ohm,5%,1/16W,TP,1005	1	S.A	
...4	R6028	2007-000173	R-CHIP;22ohm,5%,1/16W,TP,1005	1	S.A	
...4	R7084	2007-000173	R-CHIP;22ohm,5%,1/16W,TP,1005	1	S.A	
...4	R7085	2007-000173	R-CHIP;22ohm,5%,1/16W,TP,1005	1	S.A	
...4	R7086	2007-000173	R-CHIP;22ohm,5%,1/16W,TP,1005	1	S.A	
...4	R7087	2007-000173	R-CHIP;22ohm,5%,1/16W,TP,1005	1	S.A	
...4	R7088	2007-000173	R-CHIP;22ohm,5%,1/16W,TP,1005	1	S.A	
...4	R7089	2007-000173	R-CHIP;22ohm,5%,1/16W,TP,1005	1	S.A	
...4	R7091	2007-000173	R-CHIP;22ohm,5%,1/16W,TP,1005	1	S.A	
...4	R7092	2007-000173	R-CHIP;22ohm,5%,1/16W,TP,1005	1	S.A	
...4	R7093	2007-000173	R-CHIP;22ohm,5%,1/16W,TP,1005	1	S.A	
...4	R7094	2007-000173	R-CHIP;22ohm,5%,1/16W,TP,1005	1	S.A	
...4	R7095	2007-000173	R-CHIP;22ohm,5%,1/16W,TP,1005	1	S.A	
...4	R7099	2007-000173	R-CHIP;22ohm,5%,1/16W,TP,1005	1	S.A	

5. Exploded View & Part List

Level	Location No.	Code No.	Description & Specification	Q'ty	SA/SNA	Remark
...4	R7102	2007-000173	R-CHIP;22ohm,5%,1/16W,TP,1005	1	S.A	
...4	R7103	2007-000173	R-CHIP;22ohm,5%,1/16W,TP,1005	1	S.A	
...4	R7104	2007-000173	R-CHIP;22ohm,5%,1/16W,TP,1005	1	S.A	
...4	R7105	2007-000173	R-CHIP;22ohm,5%,1/16W,TP,1005	1	S.A	
...4	R7106	2007-000173	R-CHIP;22ohm,5%,1/16W,TP,1005	1	S.A	
...4	R7107	2007-000173	R-CHIP;22ohm,5%,1/16W,TP,1005	1	S.A	
...4	R7108	2007-000173	R-CHIP;22ohm,5%,1/16W,TP,1005	1	S.A	
...4	R7109	2007-000173	R-CHIP;22ohm,5%,1/16W,TP,1005	1	S.A	
...4	R7110	2007-000173	R-CHIP;22ohm,5%,1/16W,TP,1005	1	S.A	
...4	R7111	2007-000173	R-CHIP;22ohm,5%,1/16W,TP,1005	1	S.A	
...4	R7112	2007-000173	R-CHIP;22ohm,5%,1/16W,TP,1005	1	S.A	
...4	R7113	2007-000173	R-CHIP;22ohm,5%,1/16W,TP,1005	1	S.A	
...4	R2087	2007-000174	R-CHIP;47ohm,5%,1/16W,TP,1005	1	S.N.A	
...4	R2088	2007-000174	R-CHIP;47ohm,5%,1/16W,TP,1005	1	S.N.A	
...4	R3039	2007-000174	R-CHIP;47ohm,5%,1/16W,TP,1005	1	S.N.A	
...4	R3040	2007-000174	R-CHIP;47ohm,5%,1/16W,TP,1005	1	S.N.A	
...4	R3043	2007-000174	R-CHIP;47ohm,5%,1/16W,TP,1005	1	S.N.A	
...4	R3044	2007-000174	R-CHIP;47ohm,5%,1/16W,TP,1005	1	S.N.A	
...4	R3083	2007-000174	R-CHIP;47ohm,5%,1/16W,TP,1005	1	S.N.A	
...4	R3093	2007-000174	R-CHIP;47ohm,5%,1/16W,TP,1005	1	S.N.A	
...4	R3094	2007-000174	R-CHIP;47ohm,5%,1/16W,TP,1005	1	S.N.A	
...4	R3095	2007-000174	R-CHIP;47ohm,5%,1/16W,TP,1005	1	S.N.A	
...4	R3096	2007-000174	R-CHIP;47ohm,5%,1/16W,TP,1005	1	S.N.A	
...4	R3097	2007-000174	R-CHIP;47ohm,5%,1/16W,TP,1005	1	S.N.A	
...4	R3098	2007-000174	R-CHIP;47ohm,5%,1/16W,TP,1005	1	S.N.A	
...4	R3115	2007-000174	R-CHIP;47ohm,5%,1/16W,TP,1005	1	S.N.A	
...4	R3116	2007-000174	R-CHIP;47ohm,5%,1/16W,TP,1005	1	S.N.A	
...4	R3141	2007-000174	R-CHIP;47ohm,5%,1/16W,TP,1005	1	S.N.A	
...4	R3142	2007-000174	R-CHIP;47ohm,5%,1/16W,TP,1005	1	S.N.A	
...4	R3175	2007-000174	R-CHIP;47ohm,5%,1/16W,TP,1005	1	S.N.A	
...4	R3177	2007-000174	R-CHIP;47ohm,5%,1/16W,TP,1005	1	S.N.A	
...4	R3178	2007-000174	R-CHIP;47ohm,5%,1/16W,TP,1005	1	S.N.A	
...4	R3180	2007-000174	R-CHIP;47ohm,5%,1/16W,TP,1005	1	S.N.A	
...4	R3188	2007-000174	R-CHIP;47ohm,5%,1/16W,TP,1005	1	S.N.A	
...4	R3189	2007-000174	R-CHIP;47ohm,5%,1/16W,TP,1005	1	S.N.A	
...4	R3201_4HDM	2007-000174	R-CHIP;47ohm,5%,1/16W,TP,1005	1	S.N.A	
...4	R3202_4HDM	2007-000174	R-CHIP;47ohm,5%,1/16W,TP,1005	1	S.N.A	
...4	R3216	2007-000174	R-CHIP;47ohm,5%,1/16W,TP,1005	1	S.N.A	
...4	R3217	2007-000174	R-CHIP;47ohm,5%,1/16W,TP,1005	1	S.N.A	
...4	R3222	2007-000174	R-CHIP;47ohm,5%,1/16W,TP,1005	1	S.N.A	
...4	R3223	2007-000174	R-CHIP;47ohm,5%,1/16W,TP,1005	1	S.N.A	
...4	R4055_T	2007-000174	R-CHIP;47ohm,5%,1/16W,TP,1005	1	S.N.A	
...4	R4056_T	2007-000174	R-CHIP;47ohm,5%,1/16W,TP,1005	1	S.N.A	
...4	R4057_T	2007-000174	R-CHIP;47ohm,5%,1/16W,TP,1005	1	S.N.A	
...4	R4165	2007-000174	R-CHIP;47ohm,5%,1/16W,TP,1005	1	S.N.A	
...4	R4166	2007-000174	R-CHIP;47ohm,5%,1/16W,TP,1005	1	S.N.A	
...4	R4198	2007-000174	R-CHIP;47ohm,5%,1/16W,TP,1005	1	S.N.A	
...4	R4199	2007-000174	R-CHIP;47ohm,5%,1/16W,TP,1005	1	S.N.A	
...4	R7266	2007-000174	R-CHIP;47ohm,5%,1/16W,TP,1005	1	S.N.A	
...4	R7267	2007-000174	R-CHIP;47ohm,5%,1/16W,TP,1005	1	S.N.A	
...4	R7268	2007-000174	R-CHIP;47ohm,5%,1/16W,TP,1005	1	S.N.A	

## 5. Exploded View &amp; Part List

Level	Location No.	Code No.	Description & Specification	Q'ty	SA/SNA	Remark
...4	R7269	2007-000174	R-CHIP;47ohm,5%,1/16W,TP,1005	1	S.N.A	
...4	R7271	2007-000174	R-CHIP;47ohm,5%,1/16W,TP,1005	1	S.N.A	
...4	R7272	2007-000174	R-CHIP;47ohm,5%,1/16W,TP,1005	1	S.N.A	
...4	R7327	2007-000174	R-CHIP;47ohm,5%,1/16W,TP,1005	1	S.N.A	
...4	R7328	2007-000174	R-CHIP;47ohm,5%,1/16W,TP,1005	1	S.N.A	
...4	R7329	2007-000174	R-CHIP;47ohm,5%,1/16W,TP,1005	1	S.N.A	
...4	R7330	2007-000174	R-CHIP;47ohm,5%,1/16W,TP,1005	1	S.N.A	
...4	R7331	2007-000174	R-CHIP;47ohm,5%,1/16W,TP,1005	1	S.N.A	
...4	R7332	2007-000174	R-CHIP;47ohm,5%,1/16W,TP,1005	1	S.N.A	
...4	R7334	2007-000174	R-CHIP;47ohm,5%,1/16W,TP,1005	1	S.N.A	
...4	R7348	2007-000174	R-CHIP;47ohm,5%,1/16W,TP,1005	1	S.N.A	
...4	R7351	2007-000174	R-CHIP;47ohm,5%,1/16W,TP,1005	1	S.N.A	
...4	R7352	2007-000174	R-CHIP;47ohm,5%,1/16W,TP,1005	1	S.N.A	
...4	R7353	2007-000174	R-CHIP;47ohm,5%,1/16W,TP,1005	1	S.N.A	
...4	R7354	2007-000174	R-CHIP;47ohm,5%,1/16W,TP,1005	1	S.N.A	
...4	R7355	2007-000174	R-CHIP;47ohm,5%,1/16W,TP,1005	1	S.N.A	
...4	R7361	2007-000174	R-CHIP;47ohm,5%,1/16W,TP,1005	1	S.N.A	
...4	R7363	2007-000174	R-CHIP;47ohm,5%,1/16W,TP,1005	1	S.N.A	
...4	R7364	2007-000174	R-CHIP;47ohm,5%,1/16W,TP,1005	1	S.N.A	
...4	R7365	2007-000174	R-CHIP;47ohm,5%,1/16W,TP,1005	1	S.N.A	
...4	R7366	2007-000174	R-CHIP;47ohm,5%,1/16W,TP,1005	1	S.N.A	
...4	R7370	2007-000174	R-CHIP;47ohm,5%,1/16W,TP,1005	1	S.N.A	
...4	R7374	2007-000174	R-CHIP;47ohm,5%,1/16W,TP,1005	1	S.N.A	
...4	R7375	2007-000174	R-CHIP;47ohm,5%,1/16W,TP,1005	1	S.N.A	
...4	R7376	2007-000174	R-CHIP;47ohm,5%,1/16W,TP,1005	1	S.N.A	
...4	R7377	2007-000174	R-CHIP;47ohm,5%,1/16W,TP,1005	1	S.N.A	
...4	R7379	2007-000174	R-CHIP;47ohm,5%,1/16W,TP,1005	1	S.N.A	
...4	R7380	2007-000174	R-CHIP;47ohm,5%,1/16W,TP,1005	1	S.N.A	
...4	R7381	2007-000174	R-CHIP;47ohm,5%,1/16W,TP,1005	1	S.N.A	
...4	R7382	2007-000174	R-CHIP;47ohm,5%,1/16W,TP,1005	1	S.N.A	
...4	R7383	2007-000174	R-CHIP;47ohm,5%,1/16W,TP,1005	1	S.N.A	
...4	R7384	2007-000174	R-CHIP;47ohm,5%,1/16W,TP,1005	1	S.N.A	
...4	R7385	2007-000174	R-CHIP;47ohm,5%,1/16W,TP,1005	1	S.N.A	
...4	R7386	2007-000174	R-CHIP;47ohm,5%,1/16W,TP,1005	1	S.N.A	
...4	R7388	2007-000174	R-CHIP;47ohm,5%,1/16W,TP,1005	1	S.N.A	
...4	R7391	2007-000174	R-CHIP;47ohm,5%,1/16W,TP,1005	1	S.N.A	
...4	R7393	2007-000174	R-CHIP;47ohm,5%,1/16W,TP,1005	1	S.N.A	
...4	R7395	2007-000174	R-CHIP;47ohm,5%,1/16W,TP,1005	1	S.N.A	
...4	R7396	2007-000174	R-CHIP;47ohm,5%,1/16W,TP,1005	1	S.N.A	
...4	R7397	2007-000174	R-CHIP;47ohm,5%,1/16W,TP,1005	1	S.N.A	
...4	R7398	2007-000174	R-CHIP;47ohm,5%,1/16W,TP,1005	1	S.N.A	
...4	R7399	2007-000174	R-CHIP;47ohm,5%,1/16W,TP,1005	1	S.N.A	
...4	R7400	2007-000174	R-CHIP;47ohm,5%,1/16W,TP,1005	1	S.N.A	
...4	R7402	2007-000174	R-CHIP;47ohm,5%,1/16W,TP,1005	1	S.N.A	
...4	R7403	2007-000174	R-CHIP;47ohm,5%,1/16W,TP,1005	1	S.N.A	
...4	R7405	2007-000174	R-CHIP;47ohm,5%,1/16W,TP,1005	1	S.N.A	
...4	R7442	2007-000174	R-CHIP;47ohm,5%,1/16W,TP,1005	1	S.N.A	
...4	R3132	2007-000312	R-CHIP;10ohm,5%,1/4W,TP,3216	1	S.A	
...4	R3133	2007-000312	R-CHIP;10ohm,5%,1/4W,TP,3216	1	S.A	
...4	R4015_T	2007-000372	R-CHIP;130ohm,5%,1/10W,TP,1608	1	S.A	
...4	R4016_T	2007-000372	R-CHIP;130ohm,5%,1/10W,TP,1608	1	S.A	

5. Exploded View & Part List

Level	Location No.	Code No.	Description & Specification	Q'ty	SA/SNA	Remark
...4	R4017_T	2007-000372	R-CHIP;130ohm,5%,1/10W,TP,1608	1	S.A	
...4	R2050	2007-000414	R-CHIP;15ohm,1%,1/10W,TP,1608	1	S.A	
...4	R3006	2007-000458	R-CHIP;18Kohm,5%,1/10W,TP,1608	1	S.A	
...4	R3058	2007-000458	R-CHIP;18Kohm,5%,1/10W,TP,1608	1	S.A	
...4	R1037	2007-000516	R-CHIP;2.7Kohm,1%,1/10W,TP,1608	1	S.A	
...4	R1108	2007-000516	R-CHIP;2.7Kohm,1%,1/10W,TP,1608	1	S.A	
...4	R1251	2007-000566	R-CHIP;220Kohm,5%,1/16W,TP,1005	1	S.N.A	
...4	R1254	2007-000566	R-CHIP;220Kohm,5%,1/16W,TP,1005	1	S.N.A	
...4	R1114	2007-000583	R-CHIP;22Kohm,1%,1/10W,TP,1608	1	S.A	
...4	R1031	2007-000591	R-CHIP;22ohm,1%,1/10W,TP,1608	1	S.A	
...4	R1029	2007-000606	R-CHIP;240ohm,1%,1/10W,TP,1608	1	S.A	
...4	R5041	2007-000606	R-CHIP;240ohm,1%,1/10W,TP,1608	1	S.A	
...4	R5042	2007-000606	R-CHIP;240ohm,1%,1/10W,TP,1608	1	S.A	
...4	R1038	2007-000683	R-CHIP;3.3Kohm,1%,1/10W,TP,1608	1	S.A	
...4	R3151_CEC	2007-000691	R-CHIP;3.3Mohm,5%,1/10W,TP,1608	1	S.A	
...4	R3022	2007-000736	R-CHIP;30Kohm,1%,1/10W,TP,1608	1	S.A	
...4	R3023	2007-000736	R-CHIP;30Kohm,1%,1/10W,TP,1608	1	S.A	
...4	R2017	2007-000775	R-CHIP;33Kohm,5%,1/16W,TP,1005	1	S.N.A	
...4	R2018	2007-000775	R-CHIP;33Kohm,5%,1/16W,TP,1005	1	S.N.A	
...4	R2019	2007-000775	R-CHIP;33Kohm,5%,1/16W,TP,1005	1	S.N.A	
...4	R2020	2007-000775	R-CHIP;33Kohm,5%,1/16W,TP,1005	1	S.N.A	
...4	R2021	2007-000775	R-CHIP;33Kohm,5%,1/16W,TP,1005	1	S.N.A	
...4	R2022	2007-000775	R-CHIP;33Kohm,5%,1/16W,TP,1005	1	S.N.A	
...4	R2023	2007-000775	R-CHIP;33Kohm,5%,1/16W,TP,1005	1	S.N.A	
...4	R2024	2007-000775	R-CHIP;33Kohm,5%,1/16W,TP,1005	1	S.N.A	
...4	R2025	2007-000775	R-CHIP;33Kohm,5%,1/16W,TP,1005	1	S.N.A	
...4	R2026	2007-000775	R-CHIP;33Kohm,5%,1/16W,TP,1005	1	S.N.A	
...4	R2027	2007-000775	R-CHIP;33Kohm,5%,1/16W,TP,1005	1	S.N.A	
...4	R2028	2007-000775	R-CHIP;33Kohm,5%,1/16W,TP,1005	1	S.N.A	
...4	R3021	2007-000775	R-CHIP;33Kohm,5%,1/16W,TP,1005	1	S.N.A	
...4	R3024	2007-000775	R-CHIP;33Kohm,5%,1/16W,TP,1005	1	S.N.A	
...4	R3050	2007-000775	R-CHIP;33Kohm,5%,1/16W,TP,1005	1	S.N.A	
...4	R3051	2007-000775	R-CHIP;33Kohm,5%,1/16W,TP,1005	1	S.N.A	
...4	R3052	2007-000775	R-CHIP;33Kohm,5%,1/16W,TP,1005	1	S.N.A	
...4	R3053	2007-000775	R-CHIP;33Kohm,5%,1/16W,TP,1005	1	S.N.A	
...4	R1120	2007-000828	R-CHIP;39Kohm,1%,1/10W,TP,1608	1	S.A	
...4	R6034	2007-000842	R-CHIP;3Kohm,1%,1/10W,TP,1608	1	S.A	
...4	R1305	2007-000932	R-CHIP;470ohm,5%,1/16W,TP,1005	1	S.N.A	
...4	R2001	2007-000932	R-CHIP;470ohm,5%,1/16W,TP,1005	1	S.N.A	
...4	R2016	2007-000932	R-CHIP;470ohm,5%,1/16W,TP,1005	1	S.N.A	
...4	R2036	2007-000932	R-CHIP;470ohm,5%,1/16W,TP,1005	1	S.N.A	
...4	R2037	2007-000932	R-CHIP;470ohm,5%,1/16W,TP,1005	1	S.N.A	
...4	R3005	2007-000932	R-CHIP;470ohm,5%,1/16W,TP,1005	1	S.N.A	
...4	R3017	2007-000932	R-CHIP;470ohm,5%,1/16W,TP,1005	1	S.N.A	
...4	R3018	2007-000932	R-CHIP;470ohm,5%,1/16W,TP,1005	1	S.N.A	
...4	R3019	2007-000932	R-CHIP;470ohm,5%,1/16W,TP,1005	1	S.N.A	
...4	R3020	2007-000932	R-CHIP;470ohm,5%,1/16W,TP,1005	1	S.N.A	
...4	R6029	2007-000932	R-CHIP;470ohm,5%,1/16W,TP,1005	1	S.N.A	
...4	R9054	2007-000932	R-CHIP;470ohm,5%,1/16W,TP,1005	1	S.N.A	
...4	R9055	2007-000932	R-CHIP;470ohm,5%,1/16W,TP,1005	1	S.N.A	
...4	R1601	2007-000982	R-CHIP;5.6Kohm,5%,1/16W,TP,1005	1	S.A	



## 5. Exploded View &amp; Part List

Level	Location No.	Code No.	Description & Specification	Q'ty	SA/SNA	Remark
...4	R2053	2007-000987	R-CHIP;5.6ohm,5%,1/10W,TP,1608	1	S.A	
...4	R2054	2007-000987	R-CHIP;5.6ohm,5%,1/10W,TP,1608	1	S.A	
...4	R2055	2007-000987	R-CHIP;5.6ohm,5%,1/10W,TP,1608	1	S.A	
...4	R2056	2007-000987	R-CHIP;5.6ohm,5%,1/10W,TP,1608	1	S.A	
...4	R1028	2007-000999	R-CHIP;510ohm,1%,1/10W,TP,1608	1	S.A	
...4	R1302_NACH	2007-000999	R-CHIP;510ohm,1%,1/10W,TP,1608	1	S.A	
...4	R3170	2007-000999	R-CHIP;510ohm,1%,1/10W,TP,1608	1	S.A	
...4	R3171	2007-000999	R-CHIP;510ohm,1%,1/10W,TP,1608	1	S.A	
...4	R7409	2007-001044	R-CHIP;56ohm,5%,1/10W,TP,1608	1	S.A	
...4	R9069	2007-001044	R-CHIP;56ohm,5%,1/10W,TP,1608	1	S.A	
...4	R9074	2007-001044	R-CHIP;56ohm,5%,1/10W,TP,1608	1	S.A	
...4	R1110	2007-001068	R-CHIP;6.8Kohm,1%,1/10W,TP,1608	1	S.A	
...4	R3008	2007-001068	R-CHIP;6.8Kohm,1%,1/10W,TP,1608	1	S.A	
...4	R3063	2007-001068	R-CHIP;6.8Kohm,1%,1/10W,TP,1608	1	S.A	
...4	R3015	2007-001119	R-CHIP;680ohm,5%,1/16W,TP,1005	1	S.N.A	
...4	R1113	2007-001175	R-CHIP;8.2Kohm,1%,1/10W,TP,1608	1	S.A	
...4	R2006	2007-001292	R-CHIP;33ohm,5%,1/16W,TP,1005	1	S.N.A	
...4	R2007	2007-001292	R-CHIP;33ohm,5%,1/16W,TP,1005	1	S.N.A	
...4	R2008	2007-001292	R-CHIP;33ohm,5%,1/16W,TP,1005	1	S.N.A	
...4	R2009	2007-001292	R-CHIP;33ohm,5%,1/16W,TP,1005	1	S.N.A	
...4	R2010	2007-001292	R-CHIP;33ohm,5%,1/16W,TP,1005	1	S.N.A	
...4	R2011_NPX	2007-001292	R-CHIP;33ohm,5%,1/16W,TP,1005	1	S.N.A	
...4	R2012	2007-001292	R-CHIP;33ohm,5%,1/16W,TP,1005	1	S.N.A	
...4	R2040	2007-001292	R-CHIP;33ohm,5%,1/16W,TP,1005	1	S.N.A	
...4	R2045	2007-001292	R-CHIP;33ohm,5%,1/16W,TP,1005	1	S.N.A	
...4	R4010	2007-001292	R-CHIP;33ohm,5%,1/16W,TP,1005	1	S.N.A	
...4	R4065	2007-001292	R-CHIP;33ohm,5%,1/16W,TP,1005	1	S.N.A	
...4	R4070	2007-001292	R-CHIP;33ohm,5%,1/16W,TP,1005	1	S.N.A	
...4	R4094	2007-001292	R-CHIP;33ohm,5%,1/16W,TP,1005	1	S.N.A	
...4	R4096	2007-001292	R-CHIP;33ohm,5%,1/16W,TP,1005	1	S.N.A	
...4	R4097	2007-001292	R-CHIP;33ohm,5%,1/16W,TP,1005	1	S.N.A	
...4	R4102	2007-001292	R-CHIP;33ohm,5%,1/16W,TP,1005	1	S.N.A	
...4	R4138	2007-001292	R-CHIP;33ohm,5%,1/16W,TP,1005	1	S.N.A	
...4	R4139	2007-001292	R-CHIP;33ohm,5%,1/16W,TP,1005	1	S.N.A	
...4	R4141	2007-001292	R-CHIP;33ohm,5%,1/16W,TP,1005	1	S.N.A	
...4	R5015	2007-001292	R-CHIP;33ohm,5%,1/16W,TP,1005	1	S.N.A	
...4	R5016	2007-001292	R-CHIP;33ohm,5%,1/16W,TP,1005	1	S.N.A	
...4	R5040	2007-001292	R-CHIP;33ohm,5%,1/16W,TP,1005	1	S.N.A	
...4	R5044	2007-001292	R-CHIP;33ohm,5%,1/16W,TP,1005	1	S.N.A	
...4	R5045	2007-001292	R-CHIP;33ohm,5%,1/16W,TP,1005	1	S.N.A	
...4	R5046	2007-001292	R-CHIP;33ohm,5%,1/16W,TP,1005	1	S.N.A	
...4	R5047	2007-001292	R-CHIP;33ohm,5%,1/16W,TP,1005	1	S.N.A	
...4	R5048	2007-001292	R-CHIP;33ohm,5%,1/16W,TP,1005	1	S.N.A	
...4	R5049	2007-001292	R-CHIP;33ohm,5%,1/16W,TP,1005	1	S.N.A	
...4	R5050	2007-001292	R-CHIP;33ohm,5%,1/16W,TP,1005	1	S.N.A	
...4	R5051	2007-001292	R-CHIP;33ohm,5%,1/16W,TP,1005	1	S.N.A	
...4	R5052	2007-001292	R-CHIP;33ohm,5%,1/16W,TP,1005	1	S.N.A	
...4	R5053	2007-001292	R-CHIP;33ohm,5%,1/16W,TP,1005	1	S.N.A	
...4	R7280	2007-001292	R-CHIP;33ohm,5%,1/16W,TP,1005	1	S.N.A	
...4	R7030	2007-001305	R-CHIP;120ohm,5%,1/16W,TP,1005	1	S.N.A	
...4	R7045	2007-001305	R-CHIP;120ohm,5%,1/16W,TP,1005	1	S.N.A	

5. Exploded View & Part List

Level	Location No.	Code No.	Description & Specification	Q'ty	SA/SNA	Remark
...4	R7067	2007-001305	R-CHIP;120ohm,5%,1/16W,TP,1005	1	S.N.A	
...4	R7071	2007-001305	R-CHIP;120ohm,5%,1/16W,TP,1005	1	S.N.A	
...4	R7368	2007-001308	R-CHIP;200ohm,5%,1/16W,TP,1005	1	S.N.A	
...4	R7369	2007-001308	R-CHIP;200ohm,5%,1/16W,TP,1005	1	S.N.A	
...4	R1015	2007-001313	R-CHIP;330ohm,5%,1/16W,TP,1005	1	S.N.A	
...4	R4081	2007-001313	R-CHIP;330ohm,5%,1/16W,TP,1005	1	S.N.A	
...4	R4085	2007-001313	R-CHIP;330ohm,5%,1/16W,TP,1005	1	S.N.A	
...4	R5102	2007-001313	R-CHIP;330ohm,5%,1/16W,TP,1005	1	S.N.A	
...4	R7242	2007-001313	R-CHIP;330ohm,5%,1/16W,TP,1005	1	S.N.A	
...4	R9030	2007-001313	R-CHIP;330ohm,5%,1/16W,TP,1005	1	S.N.A	
...4	R9072	2007-001313	R-CHIP;330ohm,5%,1/16W,TP,1005	1	S.N.A	
...4	R2031	2007-001325	R-CHIP;3.3Kohm,5%,1/16W,TP,1005	1	S.N.A	
...4	R2048	2007-001325	R-CHIP;3.3Kohm,5%,1/16W,TP,1005	1	S.N.A	
...4	R2059	2007-001325	R-CHIP;3.3Kohm,5%,1/16W,TP,1005	1	S.N.A	
...4	R6032	2007-001325	R-CHIP;3.3Kohm,5%,1/16W,TP,1005	1	S.N.A	
...4	R7333	2007-001325	R-CHIP;3.3Kohm,5%,1/16W,TP,1005	1	S.N.A	
...4	R7335	2007-001325	R-CHIP;3.3Kohm,5%,1/16W,TP,1005	1	S.N.A	
...4	R7358	2007-001325	R-CHIP;3.3Kohm,5%,1/16W,TP,1005	1	S.N.A	
...4	R7408	2007-001325	R-CHIP;3.3Kohm,5%,1/16W,TP,1005	1	S.N.A	
...4	R1131	2007-002425	R-CHIP;1ohm,5%,1/10W,TP,1608	1	S.A	
...4	R1134_NACH	2007-002425	R-CHIP;1ohm,5%,1/10W,TP,1608	1	S.A	
...4	R1135_FAN	2007-002425	R-CHIP;1ohm,5%,1/10W,TP,1608	1	S.A	
...4	R1136	2007-002425	R-CHIP;1ohm,5%,1/10W,TP,1608	1	S.A	
...4	R1137	2007-002425	R-CHIP;1ohm,5%,1/10W,TP,1608	1	S.A	
...4	R1138	2007-002425	R-CHIP;1ohm,5%,1/10W,TP,1608	1	S.A	
...4	R5104	2007-002425	R-CHIP;1ohm,5%,1/10W,TP,1608	1	S.A	
...4	R5105	2007-002425	R-CHIP;1ohm,5%,1/10W,TP,1608	1	S.A	
...4	R1021	2007-007107	R-CHIP;100Kohm,1%,1/16W,TP,1005	1	S.N.A	
...4	R1256	2007-007107	R-CHIP;100Kohm,1%,1/16W,TP,1005	1	S.N.A	
...4	R5031	2007-007107	R-CHIP;100Kohm,1%,1/16W,TP,1005	1	S.N.A	
...4	R9033	2007-007107	R-CHIP;100Kohm,1%,1/16W,TP,1005	1	S.N.A	
...4	R9571	2007-007107	R-CHIP;100Kohm,1%,1/16W,TP,1005	1	S.N.A	
...4	R9572	2007-007107	R-CHIP;100Kohm,1%,1/16W,TP,1005	1	S.N.A	
...4	R9573	2007-007107	R-CHIP;100Kohm,1%,1/16W,TP,1005	1	S.N.A	
...4	R9574	2007-007107	R-CHIP;100Kohm,1%,1/16W,TP,1005	1	S.N.A	
...4	R9575	2007-007107	R-CHIP;100Kohm,1%,1/16W,TP,1005	1	S.N.A	
...4	R1602	2007-007136	R-CHIP;4.7Kohm,1%,1/16W,TP,1005	1	S.N.A	
...4	R1603	2007-007136	R-CHIP;4.7Kohm,1%,1/16W,TP,1005	1	S.N.A	
...4	R1604	2007-007136	R-CHIP;4.7Kohm,1%,1/16W,TP,1005	1	S.N.A	
...4	R1605	2007-007136	R-CHIP;4.7Kohm,1%,1/16W,TP,1005	1	S.N.A	
...4	R2068	2007-007136	R-CHIP;4.7Kohm,1%,1/16W,TP,1005	1	S.N.A	
...4	R7139	2007-007136	R-CHIP;4.7Kohm,1%,1/16W,TP,1005	1	S.N.A	
...4	R4146	2007-007226	R-CHIP;49.9ohm,1%,1/10W,TP,1608	1	S.A	
...4	R7123	2007-007226	R-CHIP;49.9ohm,1%,1/10W,TP,1608	1	S.A	
...4	R9027	2007-007309	R-CHIP;12Kohm,1%,1/16W,TP,1005	1	S.A	
...4	R1051	2007-007312	R-CHIP;20Kohm,1%,1/16W,TP,1005	1	S.A	
...4	R9032	2007-007316	R-CHIP;3.3Kohm,1%,1/16W,TP,1005	1	S.N.A	
...4	R1046	2007-007318	R-CHIP;1Kohm,1%,1/16W,TP,1005	1	S.N.A	
...4	R2046	2007-007318	R-CHIP;1Kohm,1%,1/16W,TP,1005	1	S.N.A	
...4	R4119	2007-007318	R-CHIP;1Kohm,1%,1/16W,TP,1005	1	S.N.A	
...4	R4120	2007-007318	R-CHIP;1Kohm,1%,1/16W,TP,1005	1	S.N.A	

## 5. Exploded View &amp; Part List

Level	Location No.	Code No.	Description & Specification	Q'ty	SA/SNA	Remark
...4	R1030	2007-007469	R-CHIP;110ohm,1%,1/16W,TP,1005	1	S.N.A	
...4	R5103	2007-007469	R-CHIP;110ohm,1%,1/16W,TP,1005	1	S.N.A	
...4	R1033	2007-007470	R-CHIP;7.5Kohm,1%,1/16W,TP,1005	1	S.N.A	
...4	R7413	2007-007470	R-CHIP;7.5Kohm,1%,1/16W,TP,1005	1	S.N.A	
...4	R7414	2007-007470	R-CHIP;7.5Kohm,1%,1/16W,TP,1005	1	S.N.A	
...4	R9031	2007-007528	R-CHIP;1.5Kohm,1%,1/16W,TP,1005	1	S.A	
...4	R3615	2007-007587	R-CHIP;3.6Kohm,1%,1/16W,TP,1005	1	S.N.A	
...4	R1048	2007-007698	R-CHIP;5.1Kohm,1%,1/16W,TP,1005	1	S.N.A	
...4	R4087	2007-007698	R-CHIP;5.1Kohm,1%,1/16W,TP,1005	1	S.N.A	
...4	R1115	2007-007723	R-CHIP;75Kohm,1%,1/10W,TP,1608	1	S.A	
...4	R9029	2007-007791	R-CHIP;9.1Kohm,1%,1/16W,TP,1005	1	S.N.A	
...4	R3001	2007-008015	R-CHIP;75ohm,1%,1/16W,TP,1005	1	S.N.A	
...4	R3003	2007-008015	R-CHIP;75ohm,1%,1/16W,TP,1005	1	S.N.A	
...4	R3007	2007-008015	R-CHIP;75ohm,1%,1/16W,TP,1005	1	S.N.A	
...4	R3031	2007-008015	R-CHIP;75ohm,1%,1/16W,TP,1005	1	S.N.A	
...4	R3032	2007-008015	R-CHIP;75ohm,1%,1/16W,TP,1005	1	S.N.A	
...4	R3033	2007-008015	R-CHIP;75ohm,1%,1/16W,TP,1005	1	S.N.A	
...4	R3046	2007-008015	R-CHIP;75ohm,1%,1/16W,TP,1005	1	S.N.A	
...4	R3057	2007-008015	R-CHIP;75ohm,1%,1/16W,TP,1005	1	S.N.A	
...4	R3066	2007-008015	R-CHIP;75ohm,1%,1/16W,TP,1005	1	S.N.A	
...4	R3067	2007-008015	R-CHIP;75ohm,1%,1/16W,TP,1005	1	S.N.A	
...4	R3068	2007-008015	R-CHIP;75ohm,1%,1/16W,TP,1005	1	S.N.A	
...4	R3105_NSID	2007-008015	R-CHIP;75ohm,1%,1/16W,TP,1005	1	S.N.A	
...4	R3110	2007-008015	R-CHIP;75ohm,1%,1/16W,TP,1005	1	S.N.A	
...4	R3113	2007-008015	R-CHIP;75ohm,1%,1/16W,TP,1005	1	S.N.A	
...4	R3164	2007-008015	R-CHIP;75ohm,1%,1/16W,TP,1005	1	S.N.A	
...4	R3165	2007-008015	R-CHIP;75ohm,1%,1/16W,TP,1005	1	S.N.A	
...4	R3166	2007-008015	R-CHIP;75ohm,1%,1/16W,TP,1005	1	S.N.A	
...4	R5029	2007-008015	R-CHIP;75ohm,1%,1/16W,TP,1005	1	S.N.A	
...4	R9048	2007-008015	R-CHIP;75ohm,1%,1/16W,TP,1005	1	S.N.A	
...4	R9049	2007-008015	R-CHIP;75ohm,1%,1/16W,TP,1005	1	S.N.A	
...4	R9052	2007-008015	R-CHIP;75ohm,1%,1/16W,TP,1005	1	S.N.A	
...4	R9053	2007-008015	R-CHIP;75ohm,1%,1/16W,TP,1005	1	S.N.A	
...4	R9039	2007-008298	R-CHIP;49.9ohm,1%,1/16W,TP,1005	1	S.A	
...4	R9040	2007-008298	R-CHIP;49.9ohm,1%,1/16W,TP,1005	1	S.A	
...4	R9041	2007-008298	R-CHIP;49.9ohm,1%,1/16W,TP,1005	1	S.A	
...4	R9042	2007-008298	R-CHIP;49.9ohm,1%,1/16W,TP,1005	1	S.A	
...4	R3625	2007-008429	R-CHIP;499ohm,1%,1/16W,TP,1005	1	S.N.A	
...4	R2051	2007-008649	R-CHIP;220ohm,1%,1/16W,TP,1005	1	S.N.A	
...4	R3016	2007-008649	R-CHIP;220ohm,1%,1/16W,TP,1005	1	S.N.A	
...4	RA7002	2011-000002	R-NETWORK;22ohm,5%,1/16W,L,CHIP,8P,TP,32	1	S.A	
...4	RA7003	2011-000002	R-NETWORK;22ohm,5%,1/16W,L,CHIP,8P,TP,32	1	S.A	
...4	RA7004	2011-000002	R-NETWORK;22ohm,5%,1/16W,L,CHIP,8P,TP,32	1	S.A	
...4	RA7005	2011-000002	R-NETWORK;22ohm,5%,1/16W,L,CHIP,8P,TP,32	1	S.A	
...4	RA7006	2011-000002	R-NETWORK;22ohm,5%,1/16W,L,CHIP,8P,TP,32	1	S.A	
...4	RA7007	2011-000002	R-NETWORK;22ohm,5%,1/16W,L,CHIP,8P,TP,32	1	S.A	
...4	RA7008	2011-000002	R-NETWORK;22ohm,5%,1/16W,L,CHIP,8P,TP,32	1	S.A	
...4	RA7009	2011-000002	R-NETWORK;22ohm,5%,1/16W,L,CHIP,8P,TP,32	1	S.A	
...4	RA7072	2011-000002	R-NETWORK;22ohm,5%,1/16W,L,CHIP,8P,TP,32	1	S.A	
...4	RA7073	2011-000002	R-NETWORK;22ohm,5%,1/16W,L,CHIP,8P,TP,32	1	S.A	
...4	RA7074	2011-000002	R-NETWORK;22ohm,5%,1/16W,L,CHIP,8P,TP,32	1	S.A	

5. Exploded View & Part List

Level	Location No.	Code No.	Description & Specification	Q'ty	SA/SNA	Remark
...4	RA7075	2011-000002	R-NETWORK;22ohm,5%,1/16W,L,CHIP,8P,TP,32	1	S.A	
...4	RA7076	2011-000002	R-NETWORK;22ohm,5%,1/16W,L,CHIP,8P,TP,32	1	S.A	
...4	RA7077	2011-000002	R-NETWORK;22ohm,5%,1/16W,L,CHIP,8P,TP,32	1	S.A	
...4	RA7078	2011-000002	R-NETWORK;22ohm,5%,1/16W,L,CHIP,8P,TP,32	1	S.A	
...4	RA7079	2011-000002	R-NETWORK;22ohm,5%,1/16W,L,CHIP,8P,TP,32	1	S.A	
...4	RA7080	2011-000002	R-NETWORK;22ohm,5%,1/16W,L,CHIP,8P,TP,32	1	S.A	
...4	RA7081	2011-000002	R-NETWORK;22ohm,5%,1/16W,L,CHIP,8P,TP,32	1	S.A	
...4	RA7082	2011-000002	R-NETWORK;22ohm,5%,1/16W,L,CHIP,8P,TP,32	1	S.A	
...4	RA7083	2011-000002	R-NETWORK;22ohm,5%,1/16W,L,CHIP,8P,TP,32	1	S.A	
...4	RA7098	2011-000002	R-NETWORK;22ohm,5%,1/16W,L,CHIP,8P,TP,32	1	S.A	
...4	RA7099	2011-000002	R-NETWORK;22ohm,5%,1/16W,L,CHIP,8P,TP,32	1	S.A	
...4	RA7100	2011-000002	R-NETWORK;22ohm,5%,1/16W,L,CHIP,8P,TP,32	1	S.A	
...4	RA7101	2011-000002	R-NETWORK;22ohm,5%,1/16W,L,CHIP,8P,TP,32	1	S.A	
...4	RA4074	2011-000585	R-NETWORK;47ohm,5%,1/16W,L,CHIP,8P,TP,3.	1	S.A	
...4	RA4075	2011-000585	R-NETWORK;47ohm,5%,1/16W,L,CHIP,8P,TP,3.	1	S.A	
...4	RA4076	2011-000585	R-NETWORK;47ohm,5%,1/16W,L,CHIP,8P,TP,3.	1	S.A	
...4	RA4077	2011-000585	R-NETWORK;47ohm,5%,1/16W,L,CHIP,8P,TP,3.	1	S.A	
...4	RA4078	2011-000585	R-NETWORK;47ohm,5%,1/16W,L,CHIP,8P,TP,3.	1	S.A	
...4	RA4079	2011-000585	R-NETWORK;47ohm,5%,1/16W,L,CHIP,8P,TP,3.	1	S.A	
...4	RA7257	2011-000585	R-NETWORK;47ohm,5%,1/16W,L,CHIP,8P,TP,3.	1	S.A	
...4	RA7258	2011-000585	R-NETWORK;47ohm,5%,1/16W,L,CHIP,8P,TP,3.	1	S.A	
...4	RA7259	2011-000585	R-NETWORK;47ohm,5%,1/16W,L,CHIP,8P,TP,3.	1	S.A	
...4	RA7260	2011-000585	R-NETWORK;47ohm,5%,1/16W,L,CHIP,8P,TP,3.	1	S.A	
...4	RA7261	2011-000585	R-NETWORK;47ohm,5%,1/16W,L,CHIP,8P,TP,3.	1	S.A	
...4	RA7262	2011-000585	R-NETWORK;47ohm,5%,1/16W,L,CHIP,8P,TP,3.	1	S.A	
...4	RA7263	2011-000585	R-NETWORK;47ohm,5%,1/16W,L,CHIP,8P,TP,3.	1	S.A	
...4	RA7264	2011-000585	R-NETWORK;47ohm,5%,1/16W,L,CHIP,8P,TP,3.	1	S.A	
...4	RA7265	2011-000585	R-NETWORK;47ohm,5%,1/16W,L,CHIP,8P,TP,3.	1	S.A	
...4	RA3001	2011-000651	R-NETWORK;10ohm,5%,1/16W,L,CHIP,8P,TP,32	1	S.A	
...4	RA3002	2011-000651	R-NETWORK;10ohm,5%,1/16W,L,CHIP,8P,TP,32	1	S.A	
...4	RA7010	2011-000881	R-NETWORK;33ohm,5%,1/16W,L,CHIP,8P,TP,3.	1	S.A	
...4	RA7011	2011-000881	R-NETWORK;33ohm,5%,1/16W,L,CHIP,8P,TP,3.	1	S.A	
...4	RA7012	2011-000881	R-NETWORK;33ohm,5%,1/16W,L,CHIP,8P,TP,3.	1	S.A	
...4	RA7119	2011-000881	R-NETWORK;33ohm,5%,1/16W,L,CHIP,8P,TP,3.	1	S.A	
...4	RA7120	2011-000881	R-NETWORK;33ohm,5%,1/16W,L,CHIP,8P,TP,3.	1	S.A	
...4	RA7121	2011-000881	R-NETWORK;33ohm,5%,1/16W,L,CHIP,8P,TP,3.	1	S.A	
...4	RA3003	2011-001001	R-NETWORK;0ohm,5%,1/16W,L,CHIP,8P,TP,3,2	1	S.A	
...4	RA3004	2011-001001	R-NETWORK;0ohm,5%,1/16W,L,CHIP,8P,TP,3,2	1	S.A	
...4	RA3004_NSI	2011-001001	R-NETWORK;0ohm,5%,1/16W,L,CHIP,8P,TP,3,2	1	S.A	
...4	RA3005	2011-001001	R-NETWORK;0ohm,5%,1/16W,L,CHIP,8P,TP,3,2	1	S.A	
...4	RA3005_NSI	2011-001001	R-NETWORK;0ohm,5%,1/16W,L,CHIP,8P,TP,3,2	1	S.A	
...4	RA3006	2011-001001	R-NETWORK;0ohm,5%,1/16W,L,CHIP,8P,TP,3,2	1	S.A	
...4	RA3007	2011-001001	R-NETWORK;0ohm,5%,1/16W,L,CHIP,8P,TP,3,2	1	S.A	
...4	RA3008	2011-001001	R-NETWORK;0ohm,5%,1/16W,L,CHIP,8P,TP,3,2	1	S.A	
...4	RA3009	2011-001001	R-NETWORK;0ohm,5%,1/16W,L,CHIP,8P,TP,3,2	1	S.A	
...4	RA3010_NSI	2011-001001	R-NETWORK;0ohm,5%,1/16W,L,CHIP,8P,TP,3,2	1	S.A	
...4	RA4001	2011-001001	R-NETWORK;0ohm,5%,1/16W,L,CHIP,8P,TP,3,2	1	S.A	
...4	RA4002	2011-001001	R-NETWORK;0ohm,5%,1/16W,L,CHIP,8P,TP,3,2	1	S.A	
...4	RA4003	2011-001001	R-NETWORK;0ohm,5%,1/16W,L,CHIP,8P,TP,3,2	1	S.A	
...4	RA4004	2011-001001	R-NETWORK;0ohm,5%,1/16W,L,CHIP,8P,TP,3,2	1	S.A	
...4	RA4005	2011-001001	R-NETWORK;0ohm,5%,1/16W,L,CHIP,8P,TP,3,2	1	S.A	

## 5. Exploded View &amp; Part List

Level	Location No.	Code No.	Description & Specification	Q'ty	SA/SNA	Remark
...4	RA6001	2011-001001	R-NETWORK;0ohm,5%,1/16W,L,CHIP,8P,TP,3.2	1	S.A	
...4	RA6058	2011-001001	R-NETWORK;0ohm,5%,1/16W,L,CHIP,8P,TP,3.2	1	S.A	
...4	RA6059	2011-001001	R-NETWORK;0ohm,5%,1/16W,L,CHIP,8P,TP,3.2	1	S.A	
...4	RA6060	2011-001001	R-NETWORK;0ohm,5%,1/16W,L,CHIP,8P,TP,3.2	1	S.A	
...4	RA6061	2011-001001	R-NETWORK;0ohm,5%,1/16W,L,CHIP,8P,TP,3.2	1	S.A	
...4	RA6062	2011-001001	R-NETWORK;0ohm,5%,1/16W,L,CHIP,8P,TP,3.2	1	S.A	
...4	RA6063	2011-001001	R-NETWORK;0ohm,5%,1/16W,L,CHIP,8P,TP,3.2	1	S.A	
...4	RA4143	2011-001093	R-NETWORK;100ohm,5%,1/16W,L,CHIP,8P,TP,3	1	S.A	
...4	RA4144	2011-001093	R-NETWORK;100ohm,5%,1/16W,L,CHIP,8P,TP,3	1	S.A	
...4	RA4145	2011-001093	R-NETWORK;100ohm,5%,1/16W,L,CHIP,8P,TP,3	1	S.A	
...4	RA4146	2011-001093	R-NETWORK;100ohm,5%,1/16W,L,CHIP,8P,TP,3	1	S.A	
...4	RA4147	2011-001093	R-NETWORK;100ohm,5%,1/16W,L,CHIP,8P,TP,3	1	S.A	
...4	RA4148	2011-001093	R-NETWORK;100ohm,5%,1/16W,L,CHIP,8P,TP,3	1	S.A	
...4	RA4153	2011-001093	R-NETWORK;100ohm,5%,1/16W,L,CHIP,8P,TP,3	1	S.A	
...4	RA7001	2011-001093	R-NETWORK;100ohm,5%,1/16W,L,CHIP,8P,TP,3	1	S.A	
...4	RA7013	2011-001093	R-NETWORK;100ohm,5%,1/16W,L,CHIP,8P,TP,3	1	S.A	
...4	RA7014	2011-001093	R-NETWORK;100ohm,5%,1/16W,L,CHIP,8P,TP,3	1	S.A	
...4	RA7015	2011-001093	R-NETWORK;100ohm,5%,1/16W,L,CHIP,8P,TP,3	1	S.A	
...4	RA7016	2011-001093	R-NETWORK;100ohm,5%,1/16W,L,CHIP,8P,TP,3	1	S.A	
...4	RA7017	2011-001093	R-NETWORK;100ohm,5%,1/16W,L,CHIP,8P,TP,3	1	S.A	
...4	RA7018	2011-001093	R-NETWORK;100ohm,5%,1/16W,L,CHIP,8P,TP,3	1	S.A	
...4	RA7019	2011-001093	R-NETWORK;100ohm,5%,1/16W,L,CHIP,8P,TP,3	1	S.A	
...4	RA7020	2011-001093	R-NETWORK;100ohm,5%,1/16W,L,CHIP,8P,TP,3	1	S.A	
...4	RA7032	2011-001093	R-NETWORK;100ohm,5%,1/16W,L,CHIP,8P,TP,3	1	S.A	
...4	RA7033	2011-001093	R-NETWORK;100ohm,5%,1/16W,L,CHIP,8P,TP,3	1	S.A	
...4	RA7034	2011-001093	R-NETWORK;100ohm,5%,1/16W,L,CHIP,8P,TP,3	1	S.A	
...4	RA7035	2011-001093	R-NETWORK;100ohm,5%,1/16W,L,CHIP,8P,TP,3	1	S.A	
...4	RA7036	2011-001093	R-NETWORK;100ohm,5%,1/16W,L,CHIP,8P,TP,3	1	S.A	
...4	RA7046	2011-001093	R-NETWORK;100ohm,5%,1/16W,L,CHIP,8P,TP,3	1	S.A	
...4	RA7047	2011-001093	R-NETWORK;100ohm,5%,1/16W,L,CHIP,8P,TP,3	1	S.A	
...4	RA7048	2011-001093	R-NETWORK;100ohm,5%,1/16W,L,CHIP,8P,TP,3	1	S.A	
...4	RA7049	2011-001093	R-NETWORK;100ohm,5%,1/16W,L,CHIP,8P,TP,3	1	S.A	
...4	RA7050	2011-001093	R-NETWORK;100ohm,5%,1/16W,L,CHIP,8P,TP,3	1	S.A	
...4	RA7051	2011-001093	R-NETWORK;100ohm,5%,1/16W,L,CHIP,8P,TP,3	1	S.A	
...4	RA7052	2011-001093	R-NETWORK;100ohm,5%,1/16W,L,CHIP,8P,TP,3	1	S.A	
...4	RA7053	2011-001093	R-NETWORK;100ohm,5%,1/16W,L,CHIP,8P,TP,3	1	S.A	
...4	RA7062	2011-001093	R-NETWORK;100ohm,5%,1/16W,L,CHIP,8P,TP,3	1	S.A	
...4	RA7063	2011-001093	R-NETWORK;100ohm,5%,1/16W,L,CHIP,8P,TP,3	1	S.A	
...4	RA7064	2011-001093	R-NETWORK;100ohm,5%,1/16W,L,CHIP,8P,TP,3	1	S.A	
...4	RA7065	2011-001093	R-NETWORK;100ohm,5%,1/16W,L,CHIP,8P,TP,3	1	S.A	
...4	C1088	2203-000125	C-CER,CHIP;1.2nF,10%,50V,X7R,TP,1608,-	1	S.A	
...4	C1098	2203-000125	C-CER,CHIP;1.2nF,10%,50V,X7R,TP,1608,-	1	S.A	
...4	C1082	2203-000189	C-CER,CHIP;100nF,+80-20%,25V,Y5V,1608	1	S.A	
...4	C1089	2203-000189	C-CER,CHIP;100nF,+80-20%,25V,Y5V,1608	1	S.A	
...4	C1091	2203-000189	C-CER,CHIP;100nF,+80-20%,25V,Y5V,1608	1	S.A	
...4	C1097	2203-000189	C-CER,CHIP;100nF,+80-20%,25V,Y5V,1608	1	S.A	
...4	C4151	2203-000189	C-CER,CHIP;100nF,+80-20%,25V,Y5V,1608	1	S.A	
...4	C2052	2203-000233	C-CER,CHIP;0.1nF,5%,50V,C0G,1005	1	S.A	
...4	C3003	2203-000233	C-CER,CHIP;0.1nF,5%,50V,C0G,1005	1	S.A	
...4	C3005	2203-000233	C-CER,CHIP;0.1nF,5%,50V,C0G,1005	1	S.A	
...4	C3013	2203-000233	C-CER,CHIP;0.1nF,5%,50V,C0G,1005	1	S.A	



5. Exploded View & Part List

Level	Location No.	Code No.	Description & Specification	Q'ty	SA/SNA	Remark
...4	C3019	2203-000233	C-CER,CHIP;0.1nF,5%,50V,C0G,1005	1	S.A	
...4	C3021	2203-000233	C-CER,CHIP;0.1nF,5%,50V,C0G,1005	1	S.A	
...4	C3028	2203-000233	C-CER,CHIP;0.1nF,5%,50V,C0G,1005	1	S.A	
...4	C3029	2203-000233	C-CER,CHIP;0.1nF,5%,50V,C0G,1005	1	S.A	
...4	C3030	2203-000233	C-CER,CHIP;0.1nF,5%,50V,C0G,1005	1	S.A	
...4	C3073	2203-000233	C-CER,CHIP;0.1nF,5%,50V,C0G,1005	1	S.A	
...4	C7232	2203-000233	C-CER,CHIP;0.1nF,5%,50V,C0G,1005	1	S.A	
...4	C7234	2203-000233	C-CER,CHIP;0.1nF,5%,50V,C0G,1005	1	S.A	
...4	C1035	2203-000257	C-CER,CHIP;10nF,10%,50V,X7R,TP,1608	1	S.A	
...4	C1036	2203-000257	C-CER,CHIP;10nF,10%,50V,X7R,TP,1608	1	S.A	
...4	C1081	2203-000257	C-CER,CHIP;10nF,10%,50V,X7R,TP,1608	1	S.A	
...4	C1083	2203-000257	C-CER,CHIP;10nF,10%,50V,X7R,TP,1608	1	S.A	
...4	C4112	2203-000332	C-CER,CHIP;0.012nF,5%,50V,C0G,1608	1	S.A	
...4	C4113	2203-000332	C-CER,CHIP;0.012nF,5%,50V,C0G,1608	1	S.A	
...4	C3010	2203-000386	C-CER,CHIP;0.015nF,5%,50V,C0G,1005	1	S.A	
...4	C3011	2203-000386	C-CER,CHIP;0.015nF,5%,50V,C0G,1005	1	S.A	
...4	C3012	2203-000386	C-CER,CHIP;0.015nF,5%,50V,C0G,1005	1	S.A	
...4	C3022	2203-000386	C-CER,CHIP;0.015nF,5%,50V,C0G,1005	1	S.A	
...4	C3023	2203-000386	C-CER,CHIP;0.015nF,5%,50V,C0G,1005	1	S.A	
...4	C3024	2203-000386	C-CER,CHIP;0.015nF,5%,50V,C0G,1005	1	S.A	
...4	C1084	2203-000405	C-CER,CHIP;0.18nF,5%,50V,C0G,1608	1	S.A	
...4	C1092	2203-000405	C-CER,CHIP;0.18nF,5%,50V,C0G,1608	1	S.A	
...4	C1154	2203-000405	C-CER,CHIP;0.18nF,5%,50V,C0G,1608	1	S.A	
...4	C1157	2203-000405	C-CER,CHIP;0.18nF,5%,50V,C0G,1608	1	S.A	
...4	C4055_T	2203-000425	C-CER,CHIP;0.018nF,5%,50V,C0G,1005	1	S.A	
...4	C1512	2203-000438	C-CER,CHIP;1nF,10%,50V,X7R,1005	1	S.A	
...4	C2053	2203-000438	C-CER,CHIP;1nF,10%,50V,X7R,1005	1	S.A	
...4	C2069	2203-000438	C-CER,CHIP;1nF,10%,50V,X7R,1005	1	S.A	
...4	C2070	2203-000438	C-CER,CHIP;1nF,10%,50V,X7R,1005	1	S.A	
...4	C2071	2203-000438	C-CER,CHIP;1nF,10%,50V,X7R,1005	1	S.A	
...4	C2072	2203-000438	C-CER,CHIP;1nF,10%,50V,X7R,1005	1	S.A	
...4	C2073	2203-000438	C-CER,CHIP;1nF,10%,50V,X7R,1005	1	S.A	
...4	C3043_NSID	2203-000438	C-CER,CHIP;1nF,10%,50V,X7R,1005	1	S.A	
...4	C3047_NSID	2203-000438	C-CER,CHIP;1nF,10%,50V,X7R,1005	1	S.A	
...4	C3305_FAN	2203-000438	C-CER,CHIP;1nF,10%,50V,X7R,1005	1	S.A	
...4	C3306_FAN	2203-000438	C-CER,CHIP;1nF,10%,50V,X7R,1005	1	S.A	
...4	C4045	2203-000438	C-CER,CHIP;1nF,10%,50V,X7R,1005	1	S.A	
...4	C4046	2203-000438	C-CER,CHIP;1nF,10%,50V,X7R,1005	1	S.A	
...4	C4051	2203-000438	C-CER,CHIP;1nF,10%,50V,X7R,1005	1	S.A	
...4	C4052	2203-000438	C-CER,CHIP;1nF,10%,50V,X7R,1005	1	S.A	
...4	C4077	2203-000438	C-CER,CHIP;1nF,10%,50V,X7R,1005	1	S.A	
...4	C4078	2203-000438	C-CER,CHIP;1nF,10%,50V,X7R,1005	1	S.A	
...4	C4116	2203-000438	C-CER,CHIP;1nF,10%,50V,X7R,1005	1	S.A	
...4	C5030	2203-000438	C-CER,CHIP;1nF,10%,50V,X7R,1005	1	S.A	
...4	C6017	2203-000438	C-CER,CHIP;1nF,10%,50V,X7R,1005	1	S.A	
...4	C6018	2203-000438	C-CER,CHIP;1nF,10%,50V,X7R,1005	1	S.A	
...4	C1021	2203-000489	C-CER,CHIP;2.2nF,10%,50V,X7R,1005	1	S.A	
...4	C3002	2203-000489	C-CER,CHIP;2.2nF,10%,50V,X7R,1005	1	S.A	
...4	C3004	2203-000489	C-CER,CHIP;2.2nF,10%,50V,X7R,1005	1	S.A	
...4	C3018	2203-000489	C-CER,CHIP;2.2nF,10%,50V,X7R,1005	1	S.A	
...4	C3020	2203-000489	C-CER,CHIP;2.2nF,10%,50V,X7R,1005	1	S.A	



## 5. Exploded View &amp; Part List

Level	Location No.	Code No.	Description & Specification	Q'ty	SA/SNA	Remark
...4	C4103	2203-000550	C-CER,CHIP;0.02nF,5%,50V,C0G,1005	1	S.N.A	
...4	C4107	2203-000550	C-CER,CHIP;0.02nF,5%,50V,C0G,1005	1	S.N.A	
...4	C7246	2203-000550	C-CER,CHIP;0.02nF,5%,50V,C0G,1005	1	S.N.A	
...4	C7253	2203-000550	C-CER,CHIP;0.02nF,5%,50V,C0G,1005	1	S.N.A	
...4	C9010	2203-000550	C-CER,CHIP;0.02nF,5%,50V,C0G,1005	1	S.N.A	
...4	C9013	2203-000550	C-CER,CHIP;0.02nF,5%,50V,C0G,1005	1	S.N.A	
...4	C4100	2203-000627	C-CER,CHIP;0.022nF,5%,50V,C0G,1005	1	S.N.A	
...4	C1085	2203-000714	C-CER,CHIP;3.3nF,10%,50V,X7R,TP,1005,-	1	S.A	
...4	C3100_NSID	2203-000783	C-CER,CHIP;0.33nF,5%,50V,C0G,1608	1	S.A	
...4	C3008	2203-000812	C-CER,CHIP;.033nF,5%,50V,C0G,-,1005	1	S.A	
...4	C3009	2203-000812	C-CER,CHIP;.033nF,5%,50V,C0G,-,1005	1	S.A	
...4	C9008	2203-000815	C-CER,CHIP;0.033nF,5%,50V,C0G,1608	1	S.A	
...4	C9108	2203-000815	C-CER,CHIP;0.033nF,5%,50V,C0G,1608	1	S.A	
...4	C1162	2203-000925	C-CER,CHIP;470nF,+80-20%,50V,Y5V,2012	1	S.A	
...4	C1201	2203-000925	C-CER,CHIP;470nF,+80-20%,50V,Y5V,2012	1	S.A	
...4	C1203	2203-000925	C-CER,CHIP;470nF,+80-20%,50V,Y5V,2012	1	S.A	
...4	C2074	2203-000925	C-CER,CHIP;470nF,+80-20%,50V,Y5V,2012	1	S.A	
...4	C2075	2203-000925	C-CER,CHIP;470nF,+80-20%,50V,Y5V,2012	1	S.A	
...4	C1101	2203-000975	C-CER,CHIP;47nF,10%,25V,X7R,TP,1608,-	1	S.A	
...4	C3001	2203-000995	C-CER,CHIP;0.047nF,5%,50V,C0G,1005	1	S.A	
...4	C3017	2203-000995	C-CER,CHIP;0.047nF,5%,50V,C0G,1005	1	S.A	
...4	C3049_NSID	2203-000995	C-CER,CHIP;0.047nF,5%,50V,C0G,1005	1	S.A	
...4	C4099	2203-000995	C-CER,CHIP;0.047nF,5%,50V,C0G,1005	1	S.A	
...4	C4101	2203-000995	C-CER,CHIP;0.047nF,5%,50V,C0G,1005	1	S.A	
...4	C5002	2203-000995	C-CER,CHIP;0.047nF,5%,50V,C0G,1005	1	S.A	
...4	C6041	2203-000995	C-CER,CHIP;0.047nF,5%,50V,C0G,1005	1	S.A	
...4	C6042	2203-000995	C-CER,CHIP;0.047nF,5%,50V,C0G,1005	1	S.A	
...4	C4059_T	2203-001153	C-CER,CHIP;0.068nF,5%,50V,NP0,1005	1	S.A	
...4	C4060_T	2203-001153	C-CER,CHIP;0.068nF,5%,50V,NP0,1005	1	S.A	
...4	C4061_T	2203-001153	C-CER,CHIP;0.068nF,5%,50V,NP0,1005	1	S.A	
...4	C4202	2203-001153	C-CER,CHIP;0.068nF,5%,50V,NP0,1005	1	S.A	
...4	C1003_NACH	2203-002285	C-CER,CHIP;10nF,10%,50V,X7R,1005	1	S.N.A	
...4	C1004	2203-002285	C-CER,CHIP;10nF,10%,50V,X7R,1005	1	S.N.A	
...4	C1009	2203-002285	C-CER,CHIP;10nF,10%,50V,X7R,1005	1	S.N.A	
...4	C1015	2203-002285	C-CER,CHIP;10nF,10%,50V,X7R,1005	1	S.N.A	
...4	C1018	2203-002285	C-CER,CHIP;10nF,10%,50V,X7R,1005	1	S.N.A	
...4	C1069	2203-002285	C-CER,CHIP;10nF,10%,50V,X7R,1005	1	S.N.A	
...4	C1070	2203-002285	C-CER,CHIP;10nF,10%,50V,X7R,1005	1	S.N.A	
...4	C1145	2203-002285	C-CER,CHIP;10nF,10%,50V,X7R,1005	1	S.N.A	
...4	C1147	2203-002285	C-CER,CHIP;10nF,10%,50V,X7R,1005	1	S.N.A	
...4	C1202	2203-002285	C-CER,CHIP;10nF,10%,50V,X7R,1005	1	S.N.A	
...4	C3037	2203-002285	C-CER,CHIP;10nF,10%,50V,X7R,1005	1	S.N.A	
...4	C3038	2203-002285	C-CER,CHIP;10nF,10%,50V,X7R,1005	1	S.N.A	
...4	C3039	2203-002285	C-CER,CHIP;10nF,10%,50V,X7R,1005	1	S.N.A	
...4	C3041	2203-002285	C-CER,CHIP;10nF,10%,50V,X7R,1005	1	S.N.A	
...4	C3042	2203-002285	C-CER,CHIP;10nF,10%,50V,X7R,1005	1	S.N.A	
...4	C3094	2203-002285	C-CER,CHIP;10nF,10%,50V,X7R,1005	1	S.N.A	
...4	C3095	2203-002285	C-CER,CHIP;10nF,10%,50V,X7R,1005	1	S.N.A	
...4	C3096	2203-002285	C-CER,CHIP;10nF,10%,50V,X7R,1005	1	S.N.A	
...4	C3097	2203-002285	C-CER,CHIP;10nF,10%,50V,X7R,1005	1	S.N.A	
...4	C3098	2203-002285	C-CER,CHIP;10nF,10%,50V,X7R,1005	1	S.N.A	

5. Exploded View & Part List

Level	Location No.	Code No.	Description & Specification	Q'ty	SA/SNA	Remark
...4	C4030	2203-002285	C-CER,CHIP;10nF,10%,50V,X7R,1005	1	S.N.A	
...4	C4031	2203-002285	C-CER,CHIP;10nF,10%,50V,X7R,1005	1	S.N.A	
...4	C4039	2203-002285	C-CER,CHIP;10nF,10%,50V,X7R,1005	1	S.N.A	
...4	C4040	2203-002285	C-CER,CHIP;10nF,10%,50V,X7R,1005	1	S.N.A	
...4	C4041	2203-002285	C-CER,CHIP;10nF,10%,50V,X7R,1005	1	S.N.A	
...4	C4042	2203-002285	C-CER,CHIP;10nF,10%,50V,X7R,1005	1	S.N.A	
...4	C4043	2203-002285	C-CER,CHIP;10nF,10%,50V,X7R,1005	1	S.N.A	
...4	C4044	2203-002285	C-CER,CHIP;10nF,10%,50V,X7R,1005	1	S.N.A	
...4	C4047	2203-002285	C-CER,CHIP;10nF,10%,50V,X7R,1005	1	S.N.A	
...4	C4048	2203-002285	C-CER,CHIP;10nF,10%,50V,X7R,1005	1	S.N.A	
...4	C4049	2203-002285	C-CER,CHIP;10nF,10%,50V,X7R,1005	1	S.N.A	
...4	C4050	2203-002285	C-CER,CHIP;10nF,10%,50V,X7R,1005	1	S.N.A	
...4	C4053	2203-002285	C-CER,CHIP;10nF,10%,50V,X7R,1005	1	S.N.A	
...4	C4054	2203-002285	C-CER,CHIP;10nF,10%,50V,X7R,1005	1	S.N.A	
...4	C4058	2203-002285	C-CER,CHIP;10nF,10%,50V,X7R,1005	1	S.N.A	
...4	C4062	2203-002285	C-CER,CHIP;10nF,10%,50V,X7R,1005	1	S.N.A	
...4	C4067	2203-002285	C-CER,CHIP;10nF,10%,50V,X7R,1005	1	S.N.A	
...4	C4069	2203-002285	C-CER,CHIP;10nF,10%,50V,X7R,1005	1	S.N.A	
...4	C4071	2203-002285	C-CER,CHIP;10nF,10%,50V,X7R,1005	1	S.N.A	
...4	C4073	2203-002285	C-CER,CHIP;10nF,10%,50V,X7R,1005	1	S.N.A	
...4	C4074	2203-002285	C-CER,CHIP;10nF,10%,50V,X7R,1005	1	S.N.A	
...4	C4075	2203-002285	C-CER,CHIP;10nF,10%,50V,X7R,1005	1	S.N.A	
...4	C4088	2203-002285	C-CER,CHIP;10nF,10%,50V,X7R,1005	1	S.N.A	
...4	C4090	2203-002285	C-CER,CHIP;10nF,10%,50V,X7R,1005	1	S.N.A	
...4	C4092	2203-002285	C-CER,CHIP;10nF,10%,50V,X7R,1005	1	S.N.A	
...4	C4093	2203-002285	C-CER,CHIP;10nF,10%,50V,X7R,1005	1	S.N.A	
...4	C4095	2203-002285	C-CER,CHIP;10nF,10%,50V,X7R,1005	1	S.N.A	
...4	C4096	2203-002285	C-CER,CHIP;10nF,10%,50V,X7R,1005	1	S.N.A	
...4	C4097	2203-002285	C-CER,CHIP;10nF,10%,50V,X7R,1005	1	S.N.A	
...4	C4098	2203-002285	C-CER,CHIP;10nF,10%,50V,X7R,1005	1	S.N.A	
...4	C4114	2203-002285	C-CER,CHIP;10nF,10%,50V,X7R,1005	1	S.N.A	
...4	C4133	2203-002285	C-CER,CHIP;10nF,10%,50V,X7R,1005	1	S.N.A	
...4	C4134	2203-002285	C-CER,CHIP;10nF,10%,50V,X7R,1005	1	S.N.A	
...4	C4135	2203-002285	C-CER,CHIP;10nF,10%,50V,X7R,1005	1	S.N.A	
...4	C4142	2203-002285	C-CER,CHIP;10nF,10%,50V,X7R,1005	1	S.N.A	
...4	C4143	2203-002285	C-CER,CHIP;10nF,10%,50V,X7R,1005	1	S.N.A	
...4	C4144	2203-002285	C-CER,CHIP;10nF,10%,50V,X7R,1005	1	S.N.A	
...4	C4145	2203-002285	C-CER,CHIP;10nF,10%,50V,X7R,1005	1	S.N.A	
...4	C4146	2203-002285	C-CER,CHIP;10nF,10%,50V,X7R,1005	1	S.N.A	
...4	C4147	2203-002285	C-CER,CHIP;10nF,10%,50V,X7R,1005	1	S.N.A	
...4	C5003	2203-002285	C-CER,CHIP;10nF,10%,50V,X7R,1005	1	S.N.A	
...4	C5005	2203-002285	C-CER,CHIP;10nF,10%,50V,X7R,1005	1	S.N.A	
...4	C5006	2203-002285	C-CER,CHIP;10nF,10%,50V,X7R,1005	1	S.N.A	
...4	C5008	2203-002285	C-CER,CHIP;10nF,10%,50V,X7R,1005	1	S.N.A	
...4	C5020	2203-002285	C-CER,CHIP;10nF,10%,50V,X7R,1005	1	S.N.A	
...4	C5041	2203-002285	C-CER,CHIP;10nF,10%,50V,X7R,1005	1	S.N.A	
...4	C5043	2203-002285	C-CER,CHIP;10nF,10%,50V,X7R,1005	1	S.N.A	
...4	C6004	2203-002285	C-CER,CHIP;10nF,10%,50V,X7R,1005	1	S.N.A	
...4	C6005	2203-002285	C-CER,CHIP;10nF,10%,50V,X7R,1005	1	S.N.A	
...4	C6007	2203-002285	C-CER,CHIP;10nF,10%,50V,X7R,1005	1	S.N.A	
...4	C6009	2203-002285	C-CER,CHIP;10nF,10%,50V,X7R,1005	1	S.N.A	

## 5. Exploded View &amp; Part List

Level	Location No.	Code No.	Description & Specification	Q'ty	SA/SNA	Remark
...4	C6010	2203-002285	C-CER,CHIP;10nF,10%,50V,X7R,1005	1	S.N.A	
...4	C6011	2203-002285	C-CER,CHIP;10nF,10%,50V,X7R,1005	1	S.N.A	
...4	C6013	2203-002285	C-CER,CHIP;10nF,10%,50V,X7R,1005	1	S.N.A	
...4	C6014	2203-002285	C-CER,CHIP;10nF,10%,50V,X7R,1005	1	S.N.A	
...4	C6015	2203-002285	C-CER,CHIP;10nF,10%,50V,X7R,1005	1	S.N.A	
...4	C6016	2203-002285	C-CER,CHIP;10nF,10%,50V,X7R,1005	1	S.N.A	
...4	C6050	2203-002285	C-CER,CHIP;10nF,10%,50V,X7R,1005	1	S.N.A	
...4	C7029	2203-002285	C-CER,CHIP;10nF,10%,50V,X7R,1005	1	S.N.A	
...4	C7035	2203-002285	C-CER,CHIP;10nF,10%,50V,X7R,1005	1	S.N.A	
...4	C7059	2203-002285	C-CER,CHIP;10nF,10%,50V,X7R,1005	1	S.N.A	
...4	C7060	2203-002285	C-CER,CHIP;10nF,10%,50V,X7R,1005	1	S.N.A	
...4	C7061	2203-002285	C-CER,CHIP;10nF,10%,50V,X7R,1005	1	S.N.A	
...4	C7062	2203-002285	C-CER,CHIP;10nF,10%,50V,X7R,1005	1	S.N.A	
...4	C7063	2203-002285	C-CER,CHIP;10nF,10%,50V,X7R,1005	1	S.N.A	
...4	C7064	2203-002285	C-CER,CHIP;10nF,10%,50V,X7R,1005	1	S.N.A	
...4	C7065	2203-002285	C-CER,CHIP;10nF,10%,50V,X7R,1005	1	S.N.A	
...4	C7067	2203-002285	C-CER,CHIP;10nF,10%,50V,X7R,1005	1	S.N.A	
...4	C7068	2203-002285	C-CER,CHIP;10nF,10%,50V,X7R,1005	1	S.N.A	
...4	C7070	2203-002285	C-CER,CHIP;10nF,10%,50V,X7R,1005	1	S.N.A	
...4	C7097	2203-002285	C-CER,CHIP;10nF,10%,50V,X7R,1005	1	S.N.A	
...4	C7098	2203-002285	C-CER,CHIP;10nF,10%,50V,X7R,1005	1	S.N.A	
...4	C7099	2203-002285	C-CER,CHIP;10nF,10%,50V,X7R,1005	1	S.N.A	
...4	C7100	2203-002285	C-CER,CHIP;10nF,10%,50V,X7R,1005	1	S.N.A	
...4	C7101	2203-002285	C-CER,CHIP;10nF,10%,50V,X7R,1005	1	S.N.A	
...4	C7102	2203-002285	C-CER,CHIP;10nF,10%,50V,X7R,1005	1	S.N.A	
...4	C7103	2203-002285	C-CER,CHIP;10nF,10%,50V,X7R,1005	1	S.N.A	
...4	C7104	2203-002285	C-CER,CHIP;10nF,10%,50V,X7R,1005	1	S.N.A	
...4	C7105	2203-002285	C-CER,CHIP;10nF,10%,50V,X7R,1005	1	S.N.A	
...4	C7106	2203-002285	C-CER,CHIP;10nF,10%,50V,X7R,1005	1	S.N.A	
...4	C7107	2203-002285	C-CER,CHIP;10nF,10%,50V,X7R,1005	1	S.N.A	
...4	C7108	2203-002285	C-CER,CHIP;10nF,10%,50V,X7R,1005	1	S.N.A	
...4	C7115	2203-002285	C-CER,CHIP;10nF,10%,50V,X7R,1005	1	S.N.A	
...4	C7116	2203-002285	C-CER,CHIP;10nF,10%,50V,X7R,1005	1	S.N.A	
...4	C7117	2203-002285	C-CER,CHIP;10nF,10%,50V,X7R,1005	1	S.N.A	
...4	C7118	2203-002285	C-CER,CHIP;10nF,10%,50V,X7R,1005	1	S.N.A	
...4	C7161	2203-002285	C-CER,CHIP;10nF,10%,50V,X7R,1005	1	S.N.A	
...4	C7162	2203-002285	C-CER,CHIP;10nF,10%,50V,X7R,1005	1	S.N.A	
...4	C7163	2203-002285	C-CER,CHIP;10nF,10%,50V,X7R,1005	1	S.N.A	
...4	C7164	2203-002285	C-CER,CHIP;10nF,10%,50V,X7R,1005	1	S.N.A	
...4	C7165	2203-002285	C-CER,CHIP;10nF,10%,50V,X7R,1005	1	S.N.A	
...4	C7166	2203-002285	C-CER,CHIP;10nF,10%,50V,X7R,1005	1	S.N.A	
...4	C7167	2203-002285	C-CER,CHIP;10nF,10%,50V,X7R,1005	1	S.N.A	
...4	C7169	2203-002285	C-CER,CHIP;10nF,10%,50V,X7R,1005	1	S.N.A	
...4	C7170	2203-002285	C-CER,CHIP;10nF,10%,50V,X7R,1005	1	S.N.A	
...4	C7171	2203-002285	C-CER,CHIP;10nF,10%,50V,X7R,1005	1	S.N.A	
...4	C7172	2203-002285	C-CER,CHIP;10nF,10%,50V,X7R,1005	1	S.N.A	
...4	C7173	2203-002285	C-CER,CHIP;10nF,10%,50V,X7R,1005	1	S.N.A	
...4	C7174	2203-002285	C-CER,CHIP;10nF,10%,50V,X7R,1005	1	S.N.A	
...4	C7175	2203-002285	C-CER,CHIP;10nF,10%,50V,X7R,1005	1	S.N.A	
...4	C7176	2203-002285	C-CER,CHIP;10nF,10%,50V,X7R,1005	1	S.N.A	
...4	C7178	2203-002285	C-CER,CHIP;10nF,10%,50V,X7R,1005	1	S.N.A	

5. Exploded View & Part List

Level	Location No.	Code No.	Description & Specification	Q'ty	SA/SNA	Remark
...4	C7179	2203-002285	C-CER,CHIP;10nF,10%,50V,X7R,1005	1	S.N.A	
...4	C7180	2203-002285	C-CER,CHIP;10nF,10%,50V,X7R,1005	1	S.N.A	
...4	C7181	2203-002285	C-CER,CHIP;10nF,10%,50V,X7R,1005	1	S.N.A	
...4	C7182	2203-002285	C-CER,CHIP;10nF,10%,50V,X7R,1005	1	S.N.A	
...4	C7183	2203-002285	C-CER,CHIP;10nF,10%,50V,X7R,1005	1	S.N.A	
...4	C7184	2203-002285	C-CER,CHIP;10nF,10%,50V,X7R,1005	1	S.N.A	
...4	C7185	2203-002285	C-CER,CHIP;10nF,10%,50V,X7R,1005	1	S.N.A	
...4	C7209	2203-002285	C-CER,CHIP;10nF,10%,50V,X7R,1005	1	S.N.A	
...4	C7210	2203-002285	C-CER,CHIP;10nF,10%,50V,X7R,1005	1	S.N.A	
...4	C7212	2203-002285	C-CER,CHIP;10nF,10%,50V,X7R,1005	1	S.N.A	
...4	C7224	2203-002285	C-CER,CHIP;10nF,10%,50V,X7R,1005	1	S.N.A	
...4	C7225	2203-002285	C-CER,CHIP;10nF,10%,50V,X7R,1005	1	S.N.A	
...4	C7237	2203-002285	C-CER,CHIP;10nF,10%,50V,X7R,1005	1	S.N.A	
...4	C7240	2203-002285	C-CER,CHIP;10nF,10%,50V,X7R,1005	1	S.N.A	
...4	C7241	2203-002285	C-CER,CHIP;10nF,10%,50V,X7R,1005	1	S.N.A	
...4	C7242	2203-002285	C-CER,CHIP;10nF,10%,50V,X7R,1005	1	S.N.A	
...4	C7243	2203-002285	C-CER,CHIP;10nF,10%,50V,X7R,1005	1	S.N.A	
...4	C7245	2203-002285	C-CER,CHIP;10nF,10%,50V,X7R,1005	1	S.N.A	
...4	C7247	2203-002285	C-CER,CHIP;10nF,10%,50V,X7R,1005	1	S.N.A	
...4	C7248	2203-002285	C-CER,CHIP;10nF,10%,50V,X7R,1005	1	S.N.A	
...4	C7249	2203-002285	C-CER,CHIP;10nF,10%,50V,X7R,1005	1	S.N.A	
...4	C7250	2203-002285	C-CER,CHIP;10nF,10%,50V,X7R,1005	1	S.N.A	
...4	C7251	2203-002285	C-CER,CHIP;10nF,10%,50V,X7R,1005	1	S.N.A	
...4	C7274	2203-002285	C-CER,CHIP;10nF,10%,50V,X7R,1005	1	S.N.A	
...4	C7275	2203-002285	C-CER,CHIP;10nF,10%,50V,X7R,1005	1	S.N.A	
...4	C9024	2203-002285	C-CER,CHIP;10nF,10%,50V,X7R,1005	1	S.N.A	
...4	C2056	2203-002398	C-CER,CHIP;22nF,10%,50V,X7R,1608	1	S.A	
...4	C2060	2203-002398	C-CER,CHIP;22nF,10%,50V,X7R,1608	1	S.A	
...4	C2061	2203-002398	C-CER,CHIP;22nF,10%,50V,X7R,1608	1	S.A	
...4	C2068	2203-002398	C-CER,CHIP;22nF,10%,50V,X7R,1608	1	S.A	
...4	C9026	2203-002398	C-CER,CHIP;22nF,10%,50V,X7R,1608	1	S.A	
...4	C5012	2203-002494	C-CER,CHIP;470nF,10%,16V,X7R,2012	1	S.A	
...4	C1096	2203-002519	C-CER,CHIP;5.6nF,10%,50V,X7R,TP,1005	1	S.N.A	
...4	C1158	2203-002519	C-CER,CHIP;5.6nF,10%,50V,X7R,TP,1005	1	S.N.A	
...4	C1160	2203-002519	C-CER,CHIP;5.6nF,10%,50V,X7R,TP,1005	1	S.N.A	
...4	C1161	2203-002687	C-CER,CHIP;1.2nF,10%,50V,X7R,TP,1005	1	S.A	
...4	C1513	2203-002687	C-CER,CHIP;1.2nF,10%,50V,X7R,TP,1005	1	S.A	
...4	C2084	2203-002687	C-CER,CHIP;1.2nF,10%,50V,X7R,TP,1005	1	S.A	
...4	C2085	2203-002687	C-CER,CHIP;1.2nF,10%,50V,X7R,TP,1005	1	S.A	
...4	C2086	2203-002687	C-CER,CHIP;1.2nF,10%,50V,X7R,TP,1005	1	S.A	
...4	C2087	2203-002687	C-CER,CHIP;1.2nF,10%,50V,X7R,TP,1005	1	S.A	
...4	C3090	2203-002793	C-CER,CHIP;1000nF,+80-20%,25V,Y5V,2012	1	S.A	
...4	C3091	2203-002793	C-CER,CHIP;1000nF,+80-20%,25V,Y5V,2012	1	S.A	
...4	C3092	2203-002793	C-CER,CHIP;1000nF,+80-20%,25V,Y5V,2012	1	S.A	
...4	C3093_4HDM	2203-002793	C-CER,CHIP;1000nF,+80-20%,25V,Y5V,2012	1	S.A	
...4	C3068	2203-005054	C-CER,CHIP;0.0047nF,0.25pF,50V,NP0,1005	1	S.A	
...4	C3069	2203-005054	C-CER,CHIP;0.0047nF,0.25pF,50V,NP0,1005	1	S.A	
...4	C3070	2203-005054	C-CER,CHIP;0.0047nF,0.25pF,50V,NP0,1005	1	S.A	
...4	C3401	2203-005065	C-CER,CHIP;1000nF,+80-20%,10V,Y5V,1608	1	S.A	
...4	C1030	2203-005249	C-CER,CHIP;100nF,10%,50V,X7R,1608	1	S.A	
...4	C2058	2203-005249	C-CER,CHIP;100nF,10%,50V,X7R,1608	1	S.A	

## 5. Exploded View &amp; Part List

Level	Location No.	Code No.	Description & Specification	Q'ty	SA/SNA	Remark
...4	C2067	2203-005249	C-CER,CHIP;100nF,10%,50V,X7R,1608	1	S.A	
...4	C2076	2203-005249	C-CER,CHIP;100nF,10%,50V,X7R,1608	1	S.A	
...4	C2077	2203-005249	C-CER,CHIP;100nF,10%,50V,X7R,1608	1	S.A	
...4	C2078	2203-005249	C-CER,CHIP;100nF,10%,50V,X7R,1608	1	S.A	
...4	C2079	2203-005249	C-CER,CHIP;100nF,10%,50V,X7R,1608	1	S.A	
...4	C2080	2203-005249	C-CER,CHIP;100nF,10%,50V,X7R,1608	1	S.A	
...4	C2081	2203-005249	C-CER,CHIP;100nF,10%,50V,X7R,1608	1	S.A	
...4	C2082	2203-005249	C-CER,CHIP;100nF,10%,50V,X7R,1608	1	S.A	
...4	C2083	2203-005249	C-CER,CHIP;100nF,10%,50V,X7R,1608	1	S.A	
...4	C2089	2203-005249	C-CER,CHIP;100nF,10%,50V,X7R,1608	1	S.A	
...4	C2090	2203-005249	C-CER,CHIP;100nF,10%,50V,X7R,1608	1	S.A	
...4	C5018	2203-005249	C-CER,CHIP;100nF,10%,50V,X7R,1608	1	S.A	
...4	C5042	2203-005249	C-CER,CHIP;100nF,10%,50V,X7R,1608	1	S.A	
...4	C5044	2203-005249	C-CER,CHIP;100nF,10%,50V,X7R,1608	1	S.A	
...4	C3071	2203-005393	C-CER,CHIP;0.005nF,0.1pF,50V,NP0,TP,1005	1	S.N.A	
...4	C3072	2203-005393	C-CER,CHIP;0.005nF,0.1pF,50V,NP0,TP,1005	1	S.N.A	
...4	C1028	2203-005642	C-CER,CHIP;0.22nF,5%,50V,NP0,1005	1	S.N.A	
...4	C4056_T	2203-005642	C-CER,CHIP;0.22nF,5%,50V,NP0,1005	1	S.N.A	
...4	C4057_T	2203-005642	C-CER,CHIP;0.22nF,5%,50V,NP0,1005	1	S.N.A	
...4	C4063_T	2203-005642	C-CER,CHIP;0.22nF,5%,50V,NP0,1005	1	S.N.A	
...4	C4064_T	2203-005642	C-CER,CHIP;0.22nF,5%,50V,NP0,1005	1	S.N.A	
...4	C4065_T	2203-005642	C-CER,CHIP;0.22nF,5%,50V,NP0,1005	1	S.N.A	
...4	C1053	2203-005834	C-CER,CHIP;2200nF,+80-20%,10V,Y5V,3216	1	S.A	
...4	C1057	2203-005834	C-CER,CHIP;2200nF,+80-20%,10V,Y5V,3216	1	S.A	
...4	C1094	2203-005834	C-CER,CHIP;2200nF,+80-20%,10V,Y5V,3216	1	S.A	
...4	C1102	2203-005834	C-CER,CHIP;2200nF,+80-20%,10V,Y5V,3216	1	S.A	
...4	C1152	2203-005834	C-CER,CHIP;2200nF,+80-20%,10V,Y5V,3216	1	S.A	
...4	C1163	2203-005834	C-CER,CHIP;2200nF,+80-20%,10V,Y5V,3216	1	S.A	
...4	C1169	2203-005834	C-CER,CHIP;2200nF,+80-20%,10V,Y5V,3216	1	S.A	
...4	C1190	2203-005834	C-CER,CHIP;2200nF,+80-20%,10V,Y5V,3216	1	S.A	
...4	C1191	2203-005834	C-CER,CHIP;2200nF,+80-20%,10V,Y5V,3216	1	S.A	
...4	C1192	2203-005834	C-CER,CHIP;2200nF,+80-20%,10V,Y5V,3216	1	S.A	
...4	C1193	2203-005834	C-CER,CHIP;2200nF,+80-20%,10V,Y5V,3216	1	S.A	
...4	C5013	2203-005834	C-CER,CHIP;2200nF,+80-20%,10V,Y5V,3216	1	S.A	
...4	C1029	2203-005968	C-CER,CHIP;4.7NF,10%,50V,X7R,TP,1005	1	S.N.A	
...4	C2022	2203-005968	C-CER,CHIP;4.7NF,10%,50V,X7R,TP,1005	1	S.N.A	
...4	C2025	2203-005968	C-CER,CHIP;4.7NF,10%,50V,X7R,TP,1005	1	S.N.A	
...4	C3040	2203-005968	C-CER,CHIP;4.7NF,10%,50V,X7R,TP,1005	1	S.N.A	
...4	C4094	2203-005968	C-CER,CHIP;4.7NF,10%,50V,X7R,TP,1005	1	S.N.A	
...4	C6021	2203-005968	C-CER,CHIP;4.7NF,10%,50V,X7R,TP,1005	1	S.N.A	
...4	C9028	2203-006039	C-CER,CHIP;1nF,10%,2000V,X7R,3216	1	S.A	
...4	C9030	2203-006039	C-CER,CHIP;1nF,10%,2000V,X7R,3216	1	S.A	
...4	C1037	2203-006104	C-CER,CHIP;1000nF,10%,50V,X7R,3225	1	S.A	
...4	C4079	2203-006126	C-CER,CHIP;47NF,10%,16V,X7R,TP,1005	1	S.N.A	
...4	C4080	2203-006126	C-CER,CHIP;47NF,10%,16V,X7R,TP,1005	1	S.N.A	
...4	C4081	2203-006126	C-CER,CHIP;47NF,10%,16V,X7R,TP,1005	1	S.N.A	
...4	C4082	2203-006126	C-CER,CHIP;47NF,10%,16V,X7R,TP,1005	1	S.N.A	
...4	C4083	2203-006126	C-CER,CHIP;47NF,10%,16V,X7R,TP,1005	1	S.N.A	
...4	C4084	2203-006126	C-CER,CHIP;47NF,10%,16V,X7R,TP,1005	1	S.N.A	
...4	C4085	2203-006126	C-CER,CHIP;47NF,10%,16V,X7R,TP,1005	1	S.N.A	
...4	C1007	2203-006141	C-CER,CHIP;1000nF,10%,16V,X5R,1608	1	S.A	



5. Exploded View & Part List

Level	Location No.	Code No.	Description & Specification	Q'ty	SA/SNA	Remark
...4	C2055	2203-006141	C-CER,CHIP;1000nF,10%,16V,X5R,1608	1	S.A	
...4	C2062	2203-006141	C-CER,CHIP;1000nF,10%,16V,X5R,1608	1	S.A	
...4	C2063	2203-006141	C-CER,CHIP;1000nF,10%,16V,X5R,1608	1	S.A	
...4	C2066	2203-006141	C-CER,CHIP;1000nF,10%,16V,X5R,1608	1	S.A	
...4	C1040	2203-006158	C-CER,CHIP;100nF,10%,16V,X7R,1005	1	S.N.A	
...4	C1041	2203-006158	C-CER,CHIP;100nF,10%,16V,X7R,1005	1	S.N.A	
...4	C1044	2203-006158	C-CER,CHIP;100nF,10%,16V,X7R,1005	1	S.N.A	
...4	C1086	2203-006158	C-CER,CHIP;100nF,10%,16V,X7R,1005	1	S.N.A	
...4	C1166	2203-006158	C-CER,CHIP;100nF,10%,16V,X7R,1005	1	S.N.A	
...4	C2014	2203-006158	C-CER,CHIP;100nF,10%,16V,X7R,1005	1	S.N.A	
...4	C2015	2203-006158	C-CER,CHIP;100nF,10%,16V,X7R,1005	1	S.N.A	
...4	C2033	2203-006158	C-CER,CHIP;100nF,10%,16V,X7R,1005	1	S.N.A	
...4	C2035	2203-006158	C-CER,CHIP;100nF,10%,16V,X7R,1005	1	S.N.A	
...4	C2039	2203-006158	C-CER,CHIP;100nF,10%,16V,X7R,1005	1	S.N.A	
...4	C2040	2203-006158	C-CER,CHIP;100nF,10%,16V,X7R,1005	1	S.N.A	
...4	C2046	2203-006158	C-CER,CHIP;100nF,10%,16V,X7R,1005	1	S.N.A	
...4	C2047	2203-006158	C-CER,CHIP;100nF,10%,16V,X7R,1005	1	S.N.A	
...4	C2048	2203-006158	C-CER,CHIP;100nF,10%,16V,X7R,1005	1	S.N.A	
...4	C2049	2203-006158	C-CER,CHIP;100nF,10%,16V,X7R,1005	1	S.N.A	
...4	C2051	2203-006158	C-CER,CHIP;100nF,10%,16V,X7R,1005	1	S.N.A	
...4	C2054	2203-006158	C-CER,CHIP;100nF,10%,16V,X7R,1005	1	S.N.A	
...4	C2059	2203-006158	C-CER,CHIP;100nF,10%,16V,X7R,1005	1	S.N.A	
...4	C3016	2203-006158	C-CER,CHIP;100nF,10%,16V,X7R,1005	1	S.N.A	
...4	C3081	2203-006158	C-CER,CHIP;100nF,10%,16V,X7R,1005	1	S.N.A	
...4	C3302_FAN	2203-006158	C-CER,CHIP;100nF,10%,16V,X7R,1005	1	S.N.A	
...4	C3304_FAN	2203-006158	C-CER,CHIP;100nF,10%,16V,X7R,1005	1	S.N.A	
...4	C4001	2203-006158	C-CER,CHIP;100nF,10%,16V,X7R,1005	1	S.N.A	
...4	C4002	2203-006158	C-CER,CHIP;100nF,10%,16V,X7R,1005	1	S.N.A	
...4	C4003	2203-006158	C-CER,CHIP;100nF,10%,16V,X7R,1005	1	S.N.A	
...4	C4004	2203-006158	C-CER,CHIP;100nF,10%,16V,X7R,1005	1	S.N.A	
...4	C4009	2203-006158	C-CER,CHIP;100nF,10%,16V,X7R,1005	1	S.N.A	
...4	C4014	2203-006158	C-CER,CHIP;100nF,10%,16V,X7R,1005	1	S.N.A	
...4	C4021	2203-006158	C-CER,CHIP;100nF,10%,16V,X7R,1005	1	S.N.A	
...4	C4023	2203-006158	C-CER,CHIP;100nF,10%,16V,X7R,1005	1	S.N.A	
...4	C4025	2203-006158	C-CER,CHIP;100nF,10%,16V,X7R,1005	1	S.N.A	
...4	C4028	2203-006158	C-CER,CHIP;100nF,10%,16V,X7R,1005	1	S.N.A	
...4	C4029	2203-006158	C-CER,CHIP;100nF,10%,16V,X7R,1005	1	S.N.A	
...4	C4038	2203-006158	C-CER,CHIP;100nF,10%,16V,X7R,1005	1	S.N.A	
...4	C4068	2203-006158	C-CER,CHIP;100nF,10%,16V,X7R,1005	1	S.N.A	
...4	C4104	2203-006158	C-CER,CHIP;100nF,10%,16V,X7R,1005	1	S.N.A	
...4	C4105	2203-006158	C-CER,CHIP;100nF,10%,16V,X7R,1005	1	S.N.A	
...4	C4117	2203-006158	C-CER,CHIP;100nF,10%,16V,X7R,1005	1	S.N.A	
...4	C4123	2203-006158	C-CER,CHIP;100nF,10%,16V,X7R,1005	1	S.N.A	
...4	C4127	2203-006158	C-CER,CHIP;100nF,10%,16V,X7R,1005	1	S.N.A	
...4	C4136	2203-006158	C-CER,CHIP;100nF,10%,16V,X7R,1005	1	S.N.A	
...4	C4137	2203-006158	C-CER,CHIP;100nF,10%,16V,X7R,1005	1	S.N.A	
...4	C4138	2203-006158	C-CER,CHIP;100nF,10%,16V,X7R,1005	1	S.N.A	
...4	C4139	2203-006158	C-CER,CHIP;100nF,10%,16V,X7R,1005	1	S.N.A	
...4	C4140	2203-006158	C-CER,CHIP;100nF,10%,16V,X7R,1005	1	S.N.A	
...4	C4141	2203-006158	C-CER,CHIP;100nF,10%,16V,X7R,1005	1	S.N.A	
...4	C4201	2203-006158	C-CER,CHIP;100nF,10%,16V,X7R,1005	1	S.N.A	



## 5. Exploded View &amp; Part List

Level	Location No.	Code No.	Description & Specification	Q'ty	SA/SNA	Remark
...4	C5004	2203-006158	C-CER,CHIP;100nF,10%,16V,X7R,1005	1	S.N.A	
...4	C5014	2203-006158	C-CER,CHIP;100nF,10%,16V,X7R,1005	1	S.N.A	
...4	C5017	2203-006158	C-CER,CHIP;100nF,10%,16V,X7R,1005	1	S.N.A	
...4	C5031	2203-006158	C-CER,CHIP;100nF,10%,16V,X7R,1005	1	S.N.A	
...4	C5033	2203-006158	C-CER,CHIP;100nF,10%,16V,X7R,1005	1	S.N.A	
...4	C5034	2203-006158	C-CER,CHIP;100nF,10%,16V,X7R,1005	1	S.N.A	
...4	C5035	2203-006158	C-CER,CHIP;100nF,10%,16V,X7R,1005	1	S.N.A	
...4	C5036	2203-006158	C-CER,CHIP;100nF,10%,16V,X7R,1005	1	S.N.A	
...4	C5037	2203-006158	C-CER,CHIP;100nF,10%,16V,X7R,1005	1	S.N.A	
...4	C5039_SLIM	2203-006158	C-CER,CHIP;100nF,10%,16V,X7R,1005	1	S.N.A	
...4	C5102	2203-006158	C-CER,CHIP;100nF,10%,16V,X7R,1005	1	S.N.A	
...4	C6023	2203-006158	C-CER,CHIP;100nF,10%,16V,X7R,1005	1	S.N.A	
...4	C7028	2203-006158	C-CER,CHIP;100nF,10%,16V,X7R,1005	1	S.N.A	
...4	C7031	2203-006158	C-CER,CHIP;100nF,10%,16V,X7R,1005	1	S.N.A	
...4	C7058	2203-006158	C-CER,CHIP;100nF,10%,16V,X7R,1005	1	S.N.A	
...4	C7069	2203-006158	C-CER,CHIP;100nF,10%,16V,X7R,1005	1	S.N.A	
...4	C7076	2203-006158	C-CER,CHIP;100nF,10%,16V,X7R,1005	1	S.N.A	
...4	C7077	2203-006158	C-CER,CHIP;100nF,10%,16V,X7R,1005	1	S.N.A	
...4	C7121	2203-006158	C-CER,CHIP;100nF,10%,16V,X7R,1005	1	S.N.A	
...4	C7122	2203-006158	C-CER,CHIP;100nF,10%,16V,X7R,1005	1	S.N.A	
...4	C7123	2203-006158	C-CER,CHIP;100nF,10%,16V,X7R,1005	1	S.N.A	
...4	C7124	2203-006158	C-CER,CHIP;100nF,10%,16V,X7R,1005	1	S.N.A	
...4	C7125	2203-006158	C-CER,CHIP;100nF,10%,16V,X7R,1005	1	S.N.A	
...4	C7126	2203-006158	C-CER,CHIP;100nF,10%,16V,X7R,1005	1	S.N.A	
...4	C7130	2203-006158	C-CER,CHIP;100nF,10%,16V,X7R,1005	1	S.N.A	
...4	C7131	2203-006158	C-CER,CHIP;100nF,10%,16V,X7R,1005	1	S.N.A	
...4	C7134	2203-006158	C-CER,CHIP;100nF,10%,16V,X7R,1005	1	S.N.A	
...4	C7135	2203-006158	C-CER,CHIP;100nF,10%,16V,X7R,1005	1	S.N.A	
...4	C7139	2203-006158	C-CER,CHIP;100nF,10%,16V,X7R,1005	1	S.N.A	
...4	C7142	2203-006158	C-CER,CHIP;100nF,10%,16V,X7R,1005	1	S.N.A	
...4	C7143	2203-006158	C-CER,CHIP;100nF,10%,16V,X7R,1005	1	S.N.A	
...4	C7144	2203-006158	C-CER,CHIP;100nF,10%,16V,X7R,1005	1	S.N.A	
...4	C7145	2203-006158	C-CER,CHIP;100nF,10%,16V,X7R,1005	1	S.N.A	
...4	C7146	2203-006158	C-CER,CHIP;100nF,10%,16V,X7R,1005	1	S.N.A	
...4	C7147	2203-006158	C-CER,CHIP;100nF,10%,16V,X7R,1005	1	S.N.A	
...4	C7148	2203-006158	C-CER,CHIP;100nF,10%,16V,X7R,1005	1	S.N.A	
...4	C7149	2203-006158	C-CER,CHIP;100nF,10%,16V,X7R,1005	1	S.N.A	
...4	C7150	2203-006158	C-CER,CHIP;100nF,10%,16V,X7R,1005	1	S.N.A	
...4	C7151	2203-006158	C-CER,CHIP;100nF,10%,16V,X7R,1005	1	S.N.A	
...4	C7152	2203-006158	C-CER,CHIP;100nF,10%,16V,X7R,1005	1	S.N.A	
...4	C7153	2203-006158	C-CER,CHIP;100nF,10%,16V,X7R,1005	1	S.N.A	
...4	C7160	2203-006158	C-CER,CHIP;100nF,10%,16V,X7R,1005	1	S.N.A	
...4	C7177	2203-006158	C-CER,CHIP;100nF,10%,16V,X7R,1005	1	S.N.A	
...4	C7187	2203-006158	C-CER,CHIP;100nF,10%,16V,X7R,1005	1	S.N.A	
...4	C7188	2203-006158	C-CER,CHIP;100nF,10%,16V,X7R,1005	1	S.N.A	
...4	C7189	2203-006158	C-CER,CHIP;100nF,10%,16V,X7R,1005	1	S.N.A	
...4	C7190	2203-006158	C-CER,CHIP;100nF,10%,16V,X7R,1005	1	S.N.A	
...4	C7201	2203-006158	C-CER,CHIP;100nF,10%,16V,X7R,1005	1	S.N.A	
...4	C7203	2203-006158	C-CER,CHIP;100nF,10%,16V,X7R,1005	1	S.N.A	
...4	C7204	2203-006158	C-CER,CHIP;100nF,10%,16V,X7R,1005	1	S.N.A	
...4	C7205	2203-006158	C-CER,CHIP;100nF,10%,16V,X7R,1005	1	S.N.A	

5. Exploded View & Part List

Level	Location No.	Code No.	Description & Specification	Q'ty	SA/SNA	Remark
...4	C7206	2203-006158	C-CER,CHIP;100nF,10%,16V,X7R,1005	1	S.N.A	
...4	C7211	2203-006158	C-CER,CHIP;100nF,10%,16V,X7R,1005	1	S.N.A	
...4	C7213	2203-006158	C-CER,CHIP;100nF,10%,16V,X7R,1005	1	S.N.A	
...4	C7214	2203-006158	C-CER,CHIP;100nF,10%,16V,X7R,1005	1	S.N.A	
...4	C7215	2203-006158	C-CER,CHIP;100nF,10%,16V,X7R,1005	1	S.N.A	
...4	C7218	2203-006158	C-CER,CHIP;100nF,10%,16V,X7R,1005	1	S.N.A	
...4	C7220	2203-006158	C-CER,CHIP;100nF,10%,16V,X7R,1005	1	S.N.A	
...4	C7222	2203-006158	C-CER,CHIP;100nF,10%,16V,X7R,1005	1	S.N.A	
...4	C7226	2203-006158	C-CER,CHIP;100nF,10%,16V,X7R,1005	1	S.N.A	
...4	C7227	2203-006158	C-CER,CHIP;100nF,10%,16V,X7R,1005	1	S.N.A	
...4	C7228	2203-006158	C-CER,CHIP;100nF,10%,16V,X7R,1005	1	S.N.A	
...4	C7229	2203-006158	C-CER,CHIP;100nF,10%,16V,X7R,1005	1	S.N.A	
...4	C7230	2203-006158	C-CER,CHIP;100nF,10%,16V,X7R,1005	1	S.N.A	
...4	C7233	2203-006158	C-CER,CHIP;100nF,10%,16V,X7R,1005	1	S.N.A	
...4	C7235	2203-006158	C-CER,CHIP;100nF,10%,16V,X7R,1005	1	S.N.A	
...4	C7236	2203-006158	C-CER,CHIP;100nF,10%,16V,X7R,1005	1	S.N.A	
...4	C7238	2203-006158	C-CER,CHIP;100nF,10%,16V,X7R,1005	1	S.N.A	
...4	C7244	2203-006158	C-CER,CHIP;100nF,10%,16V,X7R,1005	1	S.N.A	
...4	C7252	2203-006158	C-CER,CHIP;100nF,10%,16V,X7R,1005	1	S.N.A	
...4	C7254	2203-006158	C-CER,CHIP;100nF,10%,16V,X7R,1005	1	S.N.A	
...4	C7255	2203-006158	C-CER,CHIP;100nF,10%,16V,X7R,1005	1	S.N.A	
...4	C7256	2203-006158	C-CER,CHIP;100nF,10%,16V,X7R,1005	1	S.N.A	
...4	C7265	2203-006158	C-CER,CHIP;100nF,10%,16V,X7R,1005	1	S.N.A	
...4	C9002	2203-006158	C-CER,CHIP;100nF,10%,16V,X7R,1005	1	S.N.A	
...4	C9005	2203-006158	C-CER,CHIP;100nF,10%,16V,X7R,1005	1	S.N.A	
...4	C9007	2203-006158	C-CER,CHIP;100nF,10%,16V,X7R,1005	1	S.N.A	
...4	C9009	2203-006158	C-CER,CHIP;100nF,10%,16V,X7R,1005	1	S.N.A	
...4	C9011	2203-006158	C-CER,CHIP;100nF,10%,16V,X7R,1005	1	S.N.A	
...4	C9012	2203-006158	C-CER,CHIP;100nF,10%,16V,X7R,1005	1	S.N.A	
...4	C9014	2203-006158	C-CER,CHIP;100nF,10%,16V,X7R,1005	1	S.N.A	
...4	C9015	2203-006158	C-CER,CHIP;100nF,10%,16V,X7R,1005	1	S.N.A	
...4	C9016	2203-006158	C-CER,CHIP;100nF,10%,16V,X7R,1005	1	S.N.A	
...4	C9018	2203-006158	C-CER,CHIP;100nF,10%,16V,X7R,1005	1	S.N.A	
...4	C9020	2203-006158	C-CER,CHIP;100nF,10%,16V,X7R,1005	1	S.N.A	
...4	C9022	2203-006158	C-CER,CHIP;100nF,10%,16V,X7R,1005	1	S.N.A	
...4	C9023	2203-006158	C-CER,CHIP;100nF,10%,16V,X7R,1005	1	S.N.A	
...4	C9029	2203-006158	C-CER,CHIP;100nF,10%,16V,X7R,1005	1	S.N.A	
...4	C9032	2203-006158	C-CER,CHIP;100nF,10%,16V,X7R,1005	1	S.N.A	
...4	C9033	2203-006158	C-CER,CHIP;100nF,10%,16V,X7R,1005	1	S.N.A	
...4	C1093	2203-006307	C-CER,CHIP;1000nF,10%,25V,X5R,2012	1	S.A	
...4	C1080	2203-006333	C-CER,CHIP;10000nF,20%,16V,X5R,TP,3216	1	S.A	
...4	C1087	2203-006333	C-CER,CHIP;10000nF,20%,16V,X5R,TP,3216	1	S.A	
...4	C1090	2203-006333	C-CER,CHIP;10000nF,20%,16V,X5R,TP,3216	1	S.A	
...4	C1095	2203-006333	C-CER,CHIP;10000nF,20%,16V,X5R,TP,3216	1	S.A	
...4	C2057	2203-006336	C-CER,CHIP;10000nF,10%,25V,X5R,3216	1	S.A	
...4	C1059	2203-006361	C-CER,CHIP;10000nF,10%,10V,X5R,2012	1	S.A	
...4	C1099	2203-006361	C-CER,CHIP;10000nF,10%,10V,X5R,2012	1	S.A	
...4	C1164	2203-006361	C-CER,CHIP;10000nF,10%,10V,X5R,2012	1	S.A	
...4	C3412	2203-006361	C-CER,CHIP;10000nF,10%,10V,X5R,2012	1	S.A	
...4	C3420	2203-006361	C-CER,CHIP;10000nF,10%,10V,X5R,2012	1	S.A	
...4	C3421	2203-006361	C-CER,CHIP;10000nF,10%,10V,X5R,2012	1	S.A	

Level	Location No.	Code No.	Description & Specification	Q'ty	SA/SNA	Remark
...4	C3422	2203-006361	C-CER,CHIP;1000nF,10%,10V,X5R,2012	1	S.A	
...4	C3423	2203-006361	C-CER,CHIP;1000nF,10%,10V,X5R,2012	1	S.A	
...4	C9040	2203-006361	C-CER,CHIP;1000nF,10%,10V,X5R,2012	1	S.A	
...4	C2002	2203-006562	C-CER,CHIP;1000nF,10%,10V,X5R,1005	1	S.N.A	
...4	C2003	2203-006562	C-CER,CHIP;1000nF,10%,10V,X5R,1005	1	S.N.A	
...4	C2004	2203-006562	C-CER,CHIP;1000nF,10%,10V,X5R,1005	1	S.N.A	
...4	C2005	2203-006562	C-CER,CHIP;1000nF,10%,10V,X5R,1005	1	S.N.A	
...4	C2006	2203-006562	C-CER,CHIP;1000nF,10%,10V,X5R,1005	1	S.N.A	
...4	C2007	2203-006562	C-CER,CHIP;1000nF,10%,10V,X5R,1005	1	S.N.A	
...4	C2008	2203-006562	C-CER,CHIP;1000nF,10%,10V,X5R,1005	1	S.N.A	
...4	C2009	2203-006562	C-CER,CHIP;1000nF,10%,10V,X5R,1005	1	S.N.A	
...4	C2010	2203-006562	C-CER,CHIP;1000nF,10%,10V,X5R,1005	1	S.N.A	
...4	C2011	2203-006562	C-CER,CHIP;1000nF,10%,10V,X5R,1005	1	S.N.A	
...4	C2012	2203-006562	C-CER,CHIP;1000nF,10%,10V,X5R,1005	1	S.N.A	
...4	C2013	2203-006562	C-CER,CHIP;1000nF,10%,10V,X5R,1005	1	S.N.A	
...4	C2036	2203-006562	C-CER,CHIP;1000nF,10%,10V,X5R,1005	1	S.N.A	
...4	C4106	2203-006562	C-CER,CHIP;1000nF,10%,10V,X5R,1005	1	S.N.A	
...4	C6024	2203-006562	C-CER,CHIP;1000nF,10%,10V,X5R,1005	1	S.N.A	
...4	C7223	2203-006562	C-CER,CHIP;1000nF,10%,10V,X5R,1005	1	S.N.A	
...4	C7231	2203-006562	C-CER,CHIP;1000nF,10%,10V,X5R,1005	1	S.N.A	
...4	C7239	2203-006562	C-CER,CHIP;1000nF,10%,10V,X5R,1005	1	S.N.A	
...4	C9004	2203-006562	C-CER,CHIP;1000nF,10%,10V,X5R,1005	1	S.N.A	
...4	C1002_NACH	2203-006681	C-CER,CHIP;100nF,+80-20%,25V,Y5V,1005	1	S.N.A	
...4	C1008	2203-006681	C-CER,CHIP;100nF,+80-20%,25V,Y5V,1005	1	S.N.A	
...4	C1010	2203-006681	C-CER,CHIP;100nF,+80-20%,25V,Y5V,1005	1	S.N.A	
...4	C1011	2203-006681	C-CER,CHIP;100nF,+80-20%,25V,Y5V,1005	1	S.N.A	
...4	C1068	2203-006681	C-CER,CHIP;100nF,+80-20%,25V,Y5V,1005	1	S.N.A	
...4	C1072	2203-006681	C-CER,CHIP;100nF,+80-20%,25V,Y5V,1005	1	S.N.A	
...4	C1073	2203-006681	C-CER,CHIP;100nF,+80-20%,25V,Y5V,1005	1	S.N.A	
...4	C1141	2203-006681	C-CER,CHIP;100nF,+80-20%,25V,Y5V,1005	1	S.N.A	
...4	C1146	2203-006681	C-CER,CHIP;100nF,+80-20%,25V,Y5V,1005	1	S.N.A	
...4	C1195_FAN	2203-006681	C-CER,CHIP;100nF,+80-20%,25V,Y5V,1005	1	S.N.A	
...4	C1196_FAN	2203-006681	C-CER,CHIP;100nF,+80-20%,25V,Y5V,1005	1	S.N.A	
...4	C1198_NACH	2203-006681	C-CER,CHIP;100nF,+80-20%,25V,Y5V,1005	1	S.N.A	
...4	C1211	2203-006681	C-CER,CHIP;100nF,+80-20%,25V,Y5V,1005	1	S.N.A	
...4	C2019	2203-006681	C-CER,CHIP;100nF,+80-20%,25V,Y5V,1005	1	S.N.A	
...4	C2020	2203-006681	C-CER,CHIP;100nF,+80-20%,25V,Y5V,1005	1	S.N.A	
...4	C2024	2203-006681	C-CER,CHIP;100nF,+80-20%,25V,Y5V,1005	1	S.N.A	
...4	C3067	2203-006681	C-CER,CHIP;100nF,+80-20%,25V,Y5V,1005	1	S.N.A	
...4	C3075	2203-006681	C-CER,CHIP;100nF,+80-20%,25V,Y5V,1005	1	S.N.A	
...4	C3077	2203-006681	C-CER,CHIP;100nF,+80-20%,25V,Y5V,1005	1	S.N.A	
...4	C3080_4HDM	2203-006681	C-CER,CHIP;100nF,+80-20%,25V,Y5V,1005	1	S.N.A	
...4	C3087	2203-006681	C-CER,CHIP;100nF,+80-20%,25V,Y5V,1005	1	S.N.A	
...4	C3402	2203-006681	C-CER,CHIP;100nF,+80-20%,25V,Y5V,1005	1	S.N.A	
...4	C3403	2203-006681	C-CER,CHIP;100nF,+80-20%,25V,Y5V,1005	1	S.N.A	
...4	C3404	2203-006681	C-CER,CHIP;100nF,+80-20%,25V,Y5V,1005	1	S.N.A	
...4	C3405	2203-006681	C-CER,CHIP;100nF,+80-20%,25V,Y5V,1005	1	S.N.A	
...4	C3406	2203-006681	C-CER,CHIP;100nF,+80-20%,25V,Y5V,1005	1	S.N.A	
...4	C3407	2203-006681	C-CER,CHIP;100nF,+80-20%,25V,Y5V,1005	1	S.N.A	
...4	C3408	2203-006681	C-CER,CHIP;100nF,+80-20%,25V,Y5V,1005	1	S.N.A	
...4	C3409	2203-006681	C-CER,CHIP;100nF,+80-20%,25V,Y5V,1005	1	S.N.A	

5. Exploded View & Part List

Level	Location No.	Code No.	Description & Specification	Q'ty	SA/SNA	Remark
...4	C3410	2203-006681	C-CER,CHIP;100nF,+80-20%,25V,Y5V,1005	1	S.N.A	
...4	C3411	2203-006681	C-CER,CHIP;100nF,+80-20%,25V,Y5V,1005	1	S.N.A	
...4	C3413	2203-006681	C-CER,CHIP;100nF,+80-20%,25V,Y5V,1005	1	S.N.A	
...4	C3414	2203-006681	C-CER,CHIP;100nF,+80-20%,25V,Y5V,1005	1	S.N.A	
...4	C3415	2203-006681	C-CER,CHIP;100nF,+80-20%,25V,Y5V,1005	1	S.N.A	
...4	C3416	2203-006681	C-CER,CHIP;100nF,+80-20%,25V,Y5V,1005	1	S.N.A	
...4	C3417	2203-006681	C-CER,CHIP;100nF,+80-20%,25V,Y5V,1005	1	S.N.A	
...4	C3418	2203-006681	C-CER,CHIP;100nF,+80-20%,25V,Y5V,1005	1	S.N.A	
...4	C3419	2203-006681	C-CER,CHIP;100nF,+80-20%,25V,Y5V,1005	1	S.N.A	
...4	C3424	2203-006681	C-CER,CHIP;100nF,+80-20%,25V,Y5V,1005	1	S.N.A	
...4	C3425	2203-006681	C-CER,CHIP;100nF,+80-20%,25V,Y5V,1005	1	S.N.A	
...4	C3426	2203-006681	C-CER,CHIP;100nF,+80-20%,25V,Y5V,1005	1	S.N.A	
...4	C3427	2203-006681	C-CER,CHIP;100nF,+80-20%,25V,Y5V,1005	1	S.N.A	
...4	C4005	2203-006681	C-CER,CHIP;100nF,+80-20%,25V,Y5V,1005	1	S.N.A	
...4	C4006	2203-006681	C-CER,CHIP;100nF,+80-20%,25V,Y5V,1005	1	S.N.A	
...4	C4007	2203-006681	C-CER,CHIP;100nF,+80-20%,25V,Y5V,1005	1	S.N.A	
...4	C4010	2203-006681	C-CER,CHIP;100nF,+80-20%,25V,Y5V,1005	1	S.N.A	
...4	C4011	2203-006681	C-CER,CHIP;100nF,+80-20%,25V,Y5V,1005	1	S.N.A	
...4	C4012	2203-006681	C-CER,CHIP;100nF,+80-20%,25V,Y5V,1005	1	S.N.A	
...4	C4013	2203-006681	C-CER,CHIP;100nF,+80-20%,25V,Y5V,1005	1	S.N.A	
...4	C4015	2203-006681	C-CER,CHIP;100nF,+80-20%,25V,Y5V,1005	1	S.N.A	
...4	C4016	2203-006681	C-CER,CHIP;100nF,+80-20%,25V,Y5V,1005	1	S.N.A	
...4	C4017	2203-006681	C-CER,CHIP;100nF,+80-20%,25V,Y5V,1005	1	S.N.A	
...4	C4018	2203-006681	C-CER,CHIP;100nF,+80-20%,25V,Y5V,1005	1	S.N.A	
...4	C4019	2203-006681	C-CER,CHIP;100nF,+80-20%,25V,Y5V,1005	1	S.N.A	
...4	C4020	2203-006681	C-CER,CHIP;100nF,+80-20%,25V,Y5V,1005	1	S.N.A	
...4	C4022	2203-006681	C-CER,CHIP;100nF,+80-20%,25V,Y5V,1005	1	S.N.A	
...4	C4024	2203-006681	C-CER,CHIP;100nF,+80-20%,25V,Y5V,1005	1	S.N.A	
...4	C4070	2203-006681	C-CER,CHIP;100nF,+80-20%,25V,Y5V,1005	1	S.N.A	
...4	C4108	2203-006681	C-CER,CHIP;100nF,+80-20%,25V,Y5V,1005	1	S.N.A	
...4	C4111	2203-006681	C-CER,CHIP;100nF,+80-20%,25V,Y5V,1005	1	S.N.A	
...4	C4115	2203-006681	C-CER,CHIP;100nF,+80-20%,25V,Y5V,1005	1	S.N.A	
...4	C4118	2203-006681	C-CER,CHIP;100nF,+80-20%,25V,Y5V,1005	1	S.N.A	
...4	C4119	2203-006681	C-CER,CHIP;100nF,+80-20%,25V,Y5V,1005	1	S.N.A	
...4	C4120	2203-006681	C-CER,CHIP;100nF,+80-20%,25V,Y5V,1005	1	S.N.A	
...4	C4126	2203-006681	C-CER,CHIP;100nF,+80-20%,25V,Y5V,1005	1	S.N.A	
...4	C5015	2203-006681	C-CER,CHIP;100nF,+80-20%,25V,Y5V,1005	1	S.N.A	
...4	C6006	2203-006681	C-CER,CHIP;100nF,+80-20%,25V,Y5V,1005	1	S.N.A	
...4	C6008	2203-006681	C-CER,CHIP;100nF,+80-20%,25V,Y5V,1005	1	S.N.A	
...4	C6012	2203-006681	C-CER,CHIP;100nF,+80-20%,25V,Y5V,1005	1	S.N.A	
...4	C6019	2203-006681	C-CER,CHIP;100nF,+80-20%,25V,Y5V,1005	1	S.N.A	
...4	C6020	2203-006681	C-CER,CHIP;100nF,+80-20%,25V,Y5V,1005	1	S.N.A	
...4	C6101	2203-006681	C-CER,CHIP;100nF,+80-20%,25V,Y5V,1005	1	S.N.A	
...4	C7001	2203-006681	C-CER,CHIP;100nF,+80-20%,25V,Y5V,1005	1	S.N.A	
...4	C7002	2203-006681	C-CER,CHIP;100nF,+80-20%,25V,Y5V,1005	1	S.N.A	
...4	C7015	2203-006681	C-CER,CHIP;100nF,+80-20%,25V,Y5V,1005	1	S.N.A	
...4	C7016	2203-006681	C-CER,CHIP;100nF,+80-20%,25V,Y5V,1005	1	S.N.A	
...4	C3054_NSID	2203-006992	C-CER,CHIP;0.33nF,5%,50V,C0G,1005	1	S.N.A	
...4	C3055_NSID	2203-006992	C-CER,CHIP;0.33nF,5%,50V,C0G,1005	1	S.N.A	
...4	C3079	2203-006992	C-CER,CHIP;0.33nF,5%,50V,C0G,1005	1	S.N.A	
...4	C3082	2203-006992	C-CER,CHIP;0.33nF,5%,50V,C0G,1005	1	S.N.A	

## 5. Exploded View &amp; Part List

Level	Location No.	Code No.	Description & Specification	Q'ty	SA/SNA	Remark
...4	C3084	2203-006992	C-CER,CHIP;0.33nF,5%,50V,C0G,1005	1	S.N.A	
...4	C3085	2203-006992	C-CER,CHIP;0.33nF,5%,50V,C0G,1005	1	S.N.A	
...4	C6022	2203-006992	C-CER,CHIP;0.33nF,5%,50V,C0G,1005	1	S.N.A	
...4	C1005_NACH	2203-007176	C-CER,CHIP;10000nF,10%,16V,X5R,TP,2012 (	1	S.N.A	
...4	C1019	2203-007176	C-CER,CHIP;10000nF,10%,16V,X5R,TP,2012 (	1	S.N.A	
...4	C1039	2203-007176	C-CER,CHIP;10000nF,10%,16V,X5R,TP,2012 (	1	S.N.A	
...4	C1042	2203-007176	C-CER,CHIP;10000nF,10%,16V,X5R,TP,2012 (	1	S.N.A	
...4	C1048	2203-007176	C-CER,CHIP;10000nF,10%,16V,X5R,TP,2012 (	1	S.N.A	
...4	C1049	2203-007176	C-CER,CHIP;10000nF,10%,16V,X5R,TP,2012 (	1	S.N.A	
...4	C1055	2203-007176	C-CER,CHIP;10000nF,10%,16V,X5R,TP,2012 (	1	S.N.A	
...4	C1056	2203-007176	C-CER,CHIP;10000nF,10%,16V,X5R,TP,2012 (	1	S.N.A	
...4	C1063	2203-007176	C-CER,CHIP;10000nF,10%,16V,X5R,TP,2012 (	1	S.N.A	
...4	C1064	2203-007176	C-CER,CHIP;10000nF,10%,16V,X5R,TP,2012 (	1	S.N.A	
...4	C1065	2203-007176	C-CER,CHIP;10000nF,10%,16V,X5R,TP,2012 (	1	S.N.A	
...4	C1171	2203-007176	C-CER,CHIP;10000nF,10%,16V,X5R,TP,2012 (	1	S.N.A	
...4	C1172	2203-007176	C-CER,CHIP;10000nF,10%,16V,X5R,TP,2012 (	1	S.N.A	
...4	C1173	2203-007176	C-CER,CHIP;10000nF,10%,16V,X5R,TP,2012 (	1	S.N.A	
...4	C1174	2203-007176	C-CER,CHIP;10000nF,10%,16V,X5R,TP,2012 (	1	S.N.A	
...4	C1194_FAN	2203-007176	C-CER,CHIP;10000nF,10%,16V,X5R,TP,2012 (	1	S.N.A	
...4	C1197_FAN	2203-007176	C-CER,CHIP;10000nF,10%,16V,X5R,TP,2012 (	1	S.N.A	
...4	C1199_NACH	2203-007176	C-CER,CHIP;10000nF,10%,16V,X5R,TP,2012 (	1	S.N.A	
...4	C1200_NACH	2203-007176	C-CER,CHIP;10000nF,10%,16V,X5R,TP,2012 (	1	S.N.A	
...4	C1204	2203-007176	C-CER,CHIP;10000nF,10%,16V,X5R,TP,2012 (	1	S.N.A	
...4	C1205	2203-007176	C-CER,CHIP;10000nF,10%,16V,X5R,TP,2012 (	1	S.N.A	
...4	C1206	2203-007176	C-CER,CHIP;10000nF,10%,16V,X5R,TP,2012 (	1	S.N.A	
...4	C1207	2203-007176	C-CER,CHIP;10000nF,10%,16V,X5R,TP,2012 (	1	S.N.A	
...4	C1208	2203-007176	C-CER,CHIP;10000nF,10%,16V,X5R,TP,2012 (	1	S.N.A	
...4	C1213	2203-007176	C-CER,CHIP;10000nF,10%,16V,X5R,TP,2012 (	1	S.N.A	
...4	C2016	2203-007176	C-CER,CHIP;10000nF,10%,16V,X5R,TP,2012 (	1	S.N.A	
...4	C2017	2203-007176	C-CER,CHIP;10000nF,10%,16V,X5R,TP,2012 (	1	S.N.A	
...4	C2018	2203-007176	C-CER,CHIP;10000nF,10%,16V,X5R,TP,2012 (	1	S.N.A	
...4	C2021	2203-007176	C-CER,CHIP;10000nF,10%,16V,X5R,TP,2012 (	1	S.N.A	
...4	C2023	2203-007176	C-CER,CHIP;10000nF,10%,16V,X5R,TP,2012 (	1	S.N.A	
...4	C2026	2203-007176	C-CER,CHIP;10000nF,10%,16V,X5R,TP,2012 (	1	S.N.A	
...4	C2027	2203-007176	C-CER,CHIP;10000nF,10%,16V,X5R,TP,2012 (	1	S.N.A	
...4	C2034	2203-007176	C-CER,CHIP;10000nF,10%,16V,X5R,TP,2012 (	1	S.N.A	
...4	C2041	2203-007176	C-CER,CHIP;10000nF,10%,16V,X5R,TP,2012 (	1	S.N.A	
...4	C2042	2203-007176	C-CER,CHIP;10000nF,10%,16V,X5R,TP,2012 (	1	S.N.A	
...4	C2043	2203-007176	C-CER,CHIP;10000nF,10%,16V,X5R,TP,2012 (	1	S.N.A	
...4	C2044	2203-007176	C-CER,CHIP;10000nF,10%,16V,X5R,TP,2012 (	1	S.N.A	
...4	C2045	2203-007176	C-CER,CHIP;10000nF,10%,16V,X5R,TP,2012 (	1	S.N.A	
...4	C2050	2203-007176	C-CER,CHIP;10000nF,10%,16V,X5R,TP,2012 (	1	S.N.A	
...4	C2065	2203-007176	C-CER,CHIP;10000nF,10%,16V,X5R,TP,2012 (	1	S.N.A	
...4	C2101	2203-007176	C-CER,CHIP;10000nF,10%,16V,X5R,TP,2012 (	1	S.N.A	
...4	C2102	2203-007176	C-CER,CHIP;10000nF,10%,16V,X5R,TP,2012 (	1	S.N.A	
...4	C3006	2203-007176	C-CER,CHIP;10000nF,10%,16V,X5R,TP,2012 (	1	S.N.A	
...4	C3007	2203-007176	C-CER,CHIP;10000nF,10%,16V,X5R,TP,2012 (	1	S.N.A	
...4	C3014	2203-007176	C-CER,CHIP;10000nF,10%,16V,X5R,TP,2012 (	1	S.N.A	
...4	C3015	2203-007176	C-CER,CHIP;10000nF,10%,16V,X5R,TP,2012 (	1	S.N.A	
...4	C3066	2203-007176	C-CER,CHIP;10000nF,10%,16V,X5R,TP,2012 (	1	S.N.A	
...4	C3074	2203-007176	C-CER,CHIP;10000nF,10%,16V,X5R,TP,2012 (	1	S.N.A	



5. Exploded View & Part List

Level	Location No.	Code No.	Description & Specification	Q'ty	SA/SNA	Remark
...4	C3076	2203-007176	C-CER,CHIP;1000nF,10%,16V,X5R,TP,2012 (	1	S.N.A	
...4	C3078_4HDM	2203-007176	C-CER,CHIP;1000nF,10%,16V,X5R,TP,2012 (	1	S.N.A	
...4	C3083	2203-007176	C-CER,CHIP;1000nF,10%,16V,X5R,TP,2012 (	1	S.N.A	
...4	C3086	2203-007176	C-CER,CHIP;1000nF,10%,16V,X5R,TP,2012 (	1	S.N.A	
...4	C3301_FAN	2203-007176	C-CER,CHIP;1000nF,10%,16V,X5R,TP,2012 (	1	S.N.A	
...4	C3303_FAN	2203-007176	C-CER,CHIP;1000nF,10%,16V,X5R,TP,2012 (	1	S.N.A	
...4	C4008	2203-007176	C-CER,CHIP;1000nF,10%,16V,X5R,TP,2012 (	1	S.N.A	
...4	C4026	2203-007176	C-CER,CHIP;1000nF,10%,16V,X5R,TP,2012 (	1	S.N.A	
...4	C4027	2203-007176	C-CER,CHIP;1000nF,10%,16V,X5R,TP,2012 (	1	S.N.A	
...4	C4032	2203-007176	C-CER,CHIP;1000nF,10%,16V,X5R,TP,2012 (	1	S.N.A	
...4	C4034	2203-007176	C-CER,CHIP;1000nF,10%,16V,X5R,TP,2012 (	1	S.N.A	
...4	C4035	2203-007176	C-CER,CHIP;1000nF,10%,16V,X5R,TP,2012 (	1	S.N.A	
...4	C4036	2203-007176	C-CER,CHIP;1000nF,10%,16V,X5R,TP,2012 (	1	S.N.A	
...4	C4037	2203-007176	C-CER,CHIP;1000nF,10%,16V,X5R,TP,2012 (	1	S.N.A	
...4	C4066	2203-007176	C-CER,CHIP;1000nF,10%,16V,X5R,TP,2012 (	1	S.N.A	
...4	C4072	2203-007176	C-CER,CHIP;1000nF,10%,16V,X5R,TP,2012 (	1	S.N.A	
...4	C4102	2203-007176	C-CER,CHIP;1000nF,10%,16V,X5R,TP,2012 (	1	S.N.A	
...4	C4110	2203-007176	C-CER,CHIP;1000nF,10%,16V,X5R,TP,2012 (	1	S.N.A	
...4	C4124	2203-007176	C-CER,CHIP;1000nF,10%,16V,X5R,TP,2012 (	1	S.N.A	
...4	C4125	2203-007176	C-CER,CHIP;1000nF,10%,16V,X5R,TP,2012 (	1	S.N.A	
...4	C4130	2203-007176	C-CER,CHIP;1000nF,10%,16V,X5R,TP,2012 (	1	S.N.A	
...4	C4131	2203-007176	C-CER,CHIP;1000nF,10%,16V,X5R,TP,2012 (	1	S.N.A	
...4	C4132	2203-007176	C-CER,CHIP;1000nF,10%,16V,X5R,TP,2012 (	1	S.N.A	
...4	C4148	2203-007176	C-CER,CHIP;1000nF,10%,16V,X5R,TP,2012 (	1	S.N.A	
...4	C4149	2203-007176	C-CER,CHIP;1000nF,10%,16V,X5R,TP,2012 (	1	S.N.A	
...4	C4150	2203-007176	C-CER,CHIP;1000nF,10%,16V,X5R,TP,2012 (	1	S.N.A	
...4	C5019	2203-007176	C-CER,CHIP;1000nF,10%,16V,X5R,TP,2012 (	1	S.N.A	
...4	C5029	2203-007176	C-CER,CHIP;1000nF,10%,16V,X5R,TP,2012 (	1	S.N.A	
...4	C5032	2203-007176	C-CER,CHIP;1000nF,10%,16V,X5R,TP,2012 (	1	S.N.A	
...4	C5038	2203-007176	C-CER,CHIP;1000nF,10%,16V,X5R,TP,2012 (	1	S.N.A	
...4	C5040_SLIM	2203-007176	C-CER,CHIP;1000nF,10%,16V,X5R,TP,2012 (	1	S.N.A	
...4	C5101	2203-007176	C-CER,CHIP;1000nF,10%,16V,X5R,TP,2012 (	1	S.N.A	
...4	C5103	2203-007176	C-CER,CHIP;1000nF,10%,16V,X5R,TP,2012 (	1	S.N.A	
...4	C5104	2203-007176	C-CER,CHIP;1000nF,10%,16V,X5R,TP,2012 (	1	S.N.A	
...4	C5105	2203-007176	C-CER,CHIP;1000nF,10%,16V,X5R,TP,2012 (	1	S.N.A	
...4	C5106	2203-007176	C-CER,CHIP;1000nF,10%,16V,X5R,TP,2012 (	1	S.N.A	
...4	C5107	2203-007176	C-CER,CHIP;1000nF,10%,16V,X5R,TP,2012 (	1	S.N.A	
...4	C5108	2203-007176	C-CER,CHIP;1000nF,10%,16V,X5R,TP,2012 (	1	S.N.A	
...4	C5109	2203-007176	C-CER,CHIP;1000nF,10%,16V,X5R,TP,2012 (	1	S.N.A	
...4	C6001	2203-007176	C-CER,CHIP;1000nF,10%,16V,X5R,TP,2012 (	1	S.N.A	
...4	C6002	2203-007176	C-CER,CHIP;1000nF,10%,16V,X5R,TP,2012 (	1	S.N.A	
...4	C6003	2203-007176	C-CER,CHIP;1000nF,10%,16V,X5R,TP,2012 (	1	S.N.A	
...4	C7030	2203-007176	C-CER,CHIP;1000nF,10%,16V,X5R,TP,2012 (	1	S.N.A	
...4	C7066	2203-007176	C-CER,CHIP;1000nF,10%,16V,X5R,TP,2012 (	1	S.N.A	
...4	C7141	2203-007176	C-CER,CHIP;1000nF,10%,16V,X5R,TP,2012 (	1	S.N.A	
...4	C7186	2203-007176	C-CER,CHIP;1000nF,10%,16V,X5R,TP,2012 (	1	S.N.A	
...4	C7207	2203-007176	C-CER,CHIP;1000nF,10%,16V,X5R,TP,2012 (	1	S.N.A	
...4	C7208	2203-007176	C-CER,CHIP;1000nF,10%,16V,X5R,TP,2012 (	1	S.N.A	
...4	C7217	2203-007176	C-CER,CHIP;1000nF,10%,16V,X5R,TP,2012 (	1	S.N.A	
...4	C7219	2203-007176	C-CER,CHIP;1000nF,10%,16V,X5R,TP,2012 (	1	S.N.A	
...4	C7221	2203-007176	C-CER,CHIP;1000nF,10%,16V,X5R,TP,2012 (	1	S.N.A	



## 5. Exploded View &amp; Part List

Level	Location No.	Code No.	Description & Specification	Q'ty	SA/SNA	Remark
...4	C7257	2203-007176	C-CER,CHIP;10000nF,10%,16V,X5R,TP,2012 (	1	S.N.A	
...4	C7258	2203-007176	C-CER,CHIP;10000nF,10%,16V,X5R,TP,2012 (	1	S.N.A	
...4	C7259	2203-007176	C-CER,CHIP;10000nF,10%,16V,X5R,TP,2012 (	1	S.N.A	
...4	C7260	2203-007176	C-CER,CHIP;10000nF,10%,16V,X5R,TP,2012 (	1	S.N.A	
...4	C7261	2203-007176	C-CER,CHIP;10000nF,10%,16V,X5R,TP,2012 (	1	S.N.A	
...4	C7262	2203-007176	C-CER,CHIP;10000nF,10%,16V,X5R,TP,2012 (	1	S.N.A	
...4	C7263	2203-007176	C-CER,CHIP;10000nF,10%,16V,X5R,TP,2012 (	1	S.N.A	
...4	C7264	2203-007176	C-CER,CHIP;10000nF,10%,16V,X5R,TP,2012 (	1	S.N.A	
...4	C7266	2203-007176	C-CER,CHIP;10000nF,10%,16V,X5R,TP,2012 (	1	S.N.A	
...4	C7267	2203-007176	C-CER,CHIP;10000nF,10%,16V,X5R,TP,2012 (	1	S.N.A	
...4	C7268	2203-007176	C-CER,CHIP;10000nF,10%,16V,X5R,TP,2012 (	1	S.N.A	
...4	C7269	2203-007176	C-CER,CHIP;10000nF,10%,16V,X5R,TP,2012 (	1	S.N.A	
...4	C7270	2203-007176	C-CER,CHIP;10000nF,10%,16V,X5R,TP,2012 (	1	S.N.A	
...4	C7271	2203-007176	C-CER,CHIP;10000nF,10%,16V,X5R,TP,2012 (	1	S.N.A	
...4	C7272	2203-007176	C-CER,CHIP;10000nF,10%,16V,X5R,TP,2012 (	1	S.N.A	
...4	C7276	2203-007176	C-CER,CHIP;10000nF,10%,16V,X5R,TP,2012 (	1	S.N.A	
...4	C7277	2203-007176	C-CER,CHIP;10000nF,10%,16V,X5R,TP,2012 (	1	S.N.A	
...4	C9001	2203-007176	C-CER,CHIP;10000nF,10%,16V,X5R,TP,2012 (	1	S.N.A	
...4	C9003	2203-007176	C-CER,CHIP;10000nF,10%,16V,X5R,TP,2012 (	1	S.N.A	
...4	C9006	2203-007176	C-CER,CHIP;10000nF,10%,16V,X5R,TP,2012 (	1	S.N.A	
...4	C9019	2203-007176	C-CER,CHIP;10000nF,10%,16V,X5R,TP,2012 (	1	S.N.A	
...4	C9025	2203-007176	C-CER,CHIP;10000nF,10%,16V,X5R,TP,2012 (	1	S.N.A	
...4	C9035	2203-007176	C-CER,CHIP;10000nF,10%,16V,X5R,TP,2012 (	1	S.N.A	
...4	C6030	2402-001128	C-AL,SMD;100##F,20%,16V,-,TP,6.3X5.7mm	1	S.A	
...4	C6031	2402-001128	C-AL,SMD;100##F,20%,16V,-,TP,6.3X5.7mm	1	S.A	
...4	C1001_NACH	2402-001210	C-POLYMER AL CHIP;100uF,20%,10V,WT,TP,7.	1	S.A	
...4	C2037	2402-001210	C-POLYMER AL CHIP;100uF,20%,10V,WT,TP,7.	1	S.A	
...4	C2038	2402-001210	C-POLYMER AL CHIP;100uF,20%,10V,WT,TP,7.	1	S.A	
...4	C4152	2402-001210	C-POLYMER AL CHIP;100uF,20%,10V,WT,TP,7.	1	S.A	
...4	C5016	2402-001210	C-POLYMER AL CHIP;100uF,20%,10V,WT,TP,7.	1	S.A	
...4	C7025	2402-001210	C-POLYMER AL CHIP;100uF,20%,10V,WT,TP,7.	1	S.A	
...4	C7055	2402-001210	C-POLYMER AL CHIP;100uF,20%,10V,WT,TP,7.	1	S.A	
...4	C7154	2402-001210	C-POLYMER AL CHIP;100uF,20%,10V,WT,TP,7.	1	S.A	
...4	C7168	2402-001210	C-POLYMER AL CHIP;100uF,20%,10V,WT,TP,7.	1	S.A	
...4	C7273	2402-001210	C-POLYMER AL CHIP;100uF,20%,10V,WT,TP,7.	1	S.A	
...4	C2064	2402-001323	C-AL,SMD;100uF,20%,25V,LZ,TP,6.3x8mm	1	S.A	
...4	C7216	2409-001114	C-POLYMER ,CHIP;220UF,20%,10V,LR,TP,7343	1	S.A	
...4	C9031	2409-001126	C-POLYMER ,CHIP;4.7uF,20%,6.3V,WT,REEL,1	1	S.A	
...4	T9001	2601-001056	TRANS-SMD,PULSE;350UH,-,1:1,1:1,12.7X6.7	1	S.A	
...4	T0052	2703-000398	INDUCTOR-SMD;10uH,10%,3225	1	S.A	
...4	T0052	2703-000398	INDUCTOR-SMD;10uH,10%,3225	1	S.A	
...4	T0052	2703-000398	INDUCTOR-SMD;10uH,10%,3225	1	S.A	
...4	T0052	2703-000398	INDUCTOR-SMD;10uH,10%,3225	1	S.A	
...4	T0052	2703-000417	INDUCTOR-SMD;220uH,5%,3225	1	S.A	
...4	T0052	2703-001426	INDUCTOR-SMD;680uH,20%,7070	1	S.A	
...4	T0052	2703-002722	INDUCTOR-SMD;22uH,20%,12x12mm	1	S.A	
...4	T0052	2703-002722	INDUCTOR-SMD;22uH,20%,12x12mm	1	S.A	
...4	T0052	2703-002722	INDUCTOR-SMD;22uH,20%,12x12mm	1	S.A	
...4	T0052	2703-002722	INDUCTOR-SMD;22uH,20%,12x12mm	1	S.A	
...4	L2001	2704-000018	INDUCTOR-SMD-ARRAY;15uH,2000mA,2,0.124oh	1	S.N.A	
...4	L2002	2704-000018	INDUCTOR-SMD-ARRAY;15uH,2000mA,2,0.124oh	1	S.N.A	





5. Exploded View & Part List

Level	Location No.	Code No.	Description & Specification	Q'ty	SA/SNA	Remark
...4	T0568	3301-001569	BEAD-SMD;600ohm,2012,1000mA,TP,520ohm/90	1	S.N.A	
...4	T0568	3301-001569	BEAD-SMD;600ohm,2012,1000mA,TP,520ohm/90	1	S.N.A	
...4	T0568	3301-001569	BEAD-SMD;600ohm,2012,1000mA,TP,520ohm/90	1	S.N.A	
...4	JA3003	3701-001367	CONNECTOR-HDMI;19P,2R,FEMALE,SMD,AU	1	S.A	
...4	JA3004_4HD	3701-001367	CONNECTOR-HDMI;19P,2R,FEMALE,SMD,AU	1	S.A	
...4	JA3005	3701-001367	CONNECTOR-HDMI;19P,2R,FEMALE,SMD,AU	1	S.A	
...4	CN330	3711-005292	HEADER-BOARD TO CABLE;BOX,3P,1R,2MM,SMD-	1	S.A	
...4	CN330	3711-005292	HEADER-BOARD TO CABLE;BOX,3P,1R,2MM,SMD-	1	S.A	
...4	CN330	3711-005925	HEADER-BOARD TO CABLE;BOX,51P,1R,0.5mm,S	1	S.A	
...4	CN330	3711-006374	HEADER-BOARD TO CABLE;BOX,41P,2R,1.25mm,	1	S.A	
...4	T0077	BN41-01063A	PCB MAIN;L850 iDTV Normal,FR-4,6,1.6T,24	1	S.N.A	
...4	M0018	BN97-02520A	ASSY MICOM;N/A,N59C,2008.06.05,T-RBYDEUS	1	S.N.A	
....5	IC520	0903-001552	IC-MICROCONTROLLER;WT61P8-RG480WT,LQFP,4	1	S.A	
...4	M0018	BN97-02520B	ASSY MICOM;0xF20A,N59C,2008.05.21,T-RBYD	1	S.N.A	
....5	IC7013	1107-001740	IC-NAND FLASH;KFH8GH6U4M-DIB6,8Gbit,512M	1	S.A	
...4	M0018	BN97-02588A	ASSY MICOM;T-RBYDEUM,N59C,2008.06.03,N/A	1	S.N.A	
....5	IC115	1107-001415	IC-FLASH MEMORY;29W320D,4Mx8/2Mx16Bit,TS	1	S.N.A	
0.1	M0019	BN92-03727C	ASSY LABEL;LE52A856S1FXXC	1	S.N.A	
0.1	M0003	BN92-03729B	ASSY BOX;52L850,EO	1	S.N.A	
..2	M0521	BN69-02884A	BOX-SET,IN;52L850 With Stand,CB,C1,DY-01	1	S.N.A	
..2		BN69-02885C	BOX-SET,OUT;52L860,CB,C-03,DW-80,YEL,W13	1	S.N.A	
0.1	M0113	BN92-03731A	ASSY P/MATERIAL;52L850,UO	1	S.N.A	
..2	T0003	6902-000604	BAG WRAPPING;LDPE,T0.02,W500,L10000,TRP,	6	S.N.A	
..2	T0524	6902-000867	BAG PE;HDPE/HDPE/NITRON,T0.015/T0.015/T1	1	S.N.A	
..2		6922-000003	BAND PP;PP,T0.8,W18,L1650M,TRP,DA69-9014	5.63	S.N.A	
..2	T0214	AA61-20285C	HOLDER-BOX;CORAL,PP,BLACK,HB	2	S.N.A	
..2	T0214	BN74-00008A	TAPE-OPP MASKING;OPP-2,T0.05,W100,L800M,	1.52	S.N.A	
0.1	M0045	BN92-03733A	ASSY ACCESSORY;LE40A856S1FXXC	1	S.N.A	
..2	M0045	BN96-08580A	ASSY ACCESSORY-MANUAL;LE40A856S1FXXC	1	S.A	
...3	T0524	6902-000110	BAG PE;LDPE,T0.05,W250,L400,TRP,28,2,-,9	1	S.N.A	
...3		AA68-03242P	MANUAL FLYER-01,,SAFETY GUIDE;comm,Samsu	1	S.N.A	
...3	T0175	BN68-00514E	MANUAL FLYER-01,WARRANTY CARD;comm,Samsu	1	S.N.A	
...3	T0511	BN68-01701A	MANUAL USERS;COMM,SAMSUNG,8Language,W.EU	1	S.N.A	
..2	M0045	BN96-08580B	ASSY ACCESSORY-CABEL;LE40A856S1FXXC	1	S.A	
...3	T0268	3903-000145	CBF-POWER CORD;DT,EU,FP3/YES,U(IEC C13-R	1	S.A	
...3	T0686	4301-001076	BATTERY-LI;3V,620mAH,COIN,5x24.5 pi	1	S.A	
...3	T0524	6902-000110	BAG PE;LDPE,T0.05,W250,L400,TRP,28,2,-,9	1	S.N.A	
...3	T0074	BN59-00702A	REMOCON;TM-98C,50,IDTV_READY_950	1	S.A	
...3	T0074	BN59-00788B	REMOCON;TM94,5,KOREA	1	S.A	
...3		BN63-01798B	CLOTH-CLEAN;cloth,180,200,sea blue,ToC	1	S.N.A	
...3	T0531	BN63-04822B	COVER-BOTTOM;40,46,52L850,HIPS,-,-,V0,	1	S.N.A	
...4		BN81-00199H	RESIN;HIPS HB,BK500,HF-1690H,K2901	0.051	S.N.A	