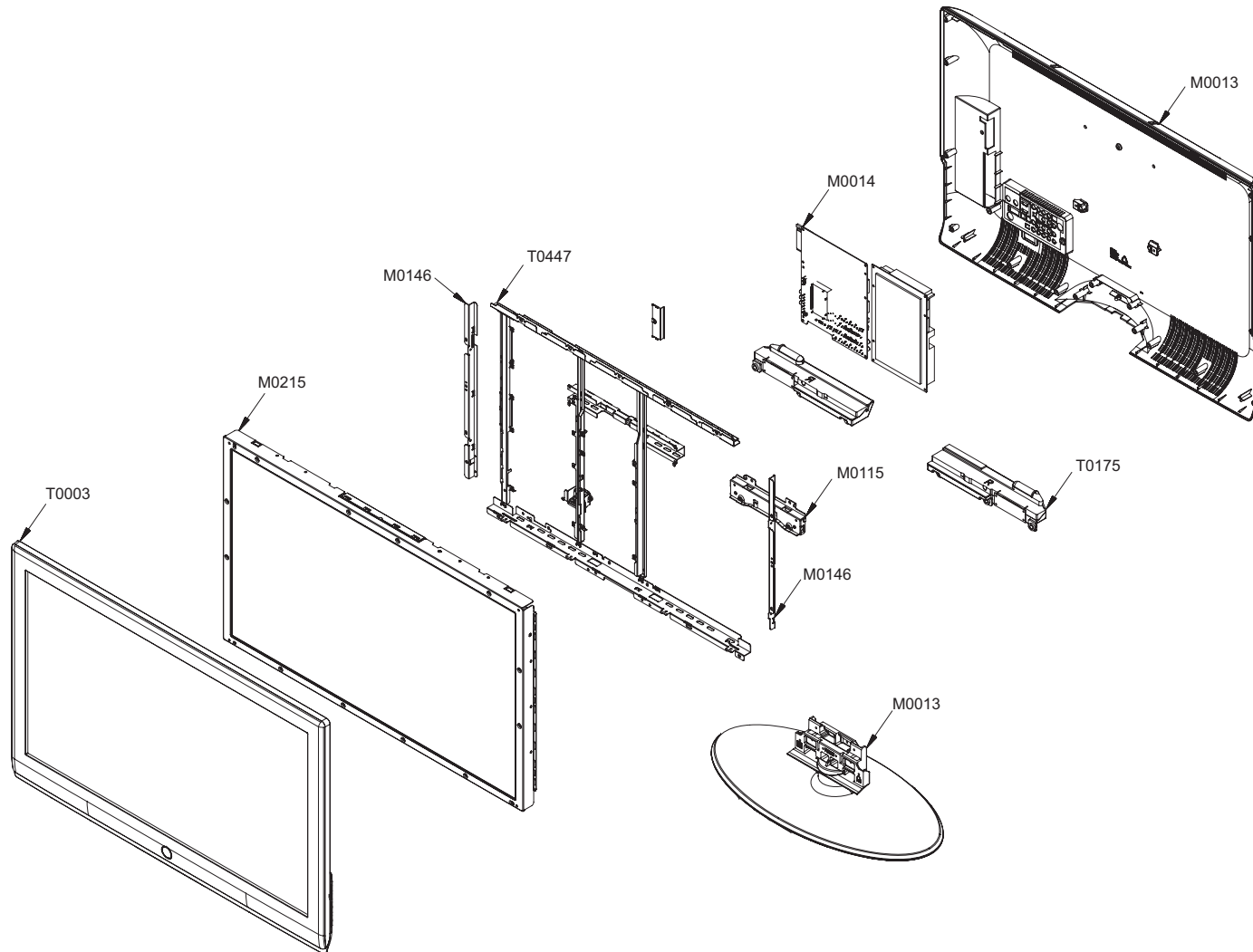


## 5 Exploded View and Parts List

- You can search for updated part codes through ITSELF web site.  
URL : <http://itself.sec.samsung.co.kr/>

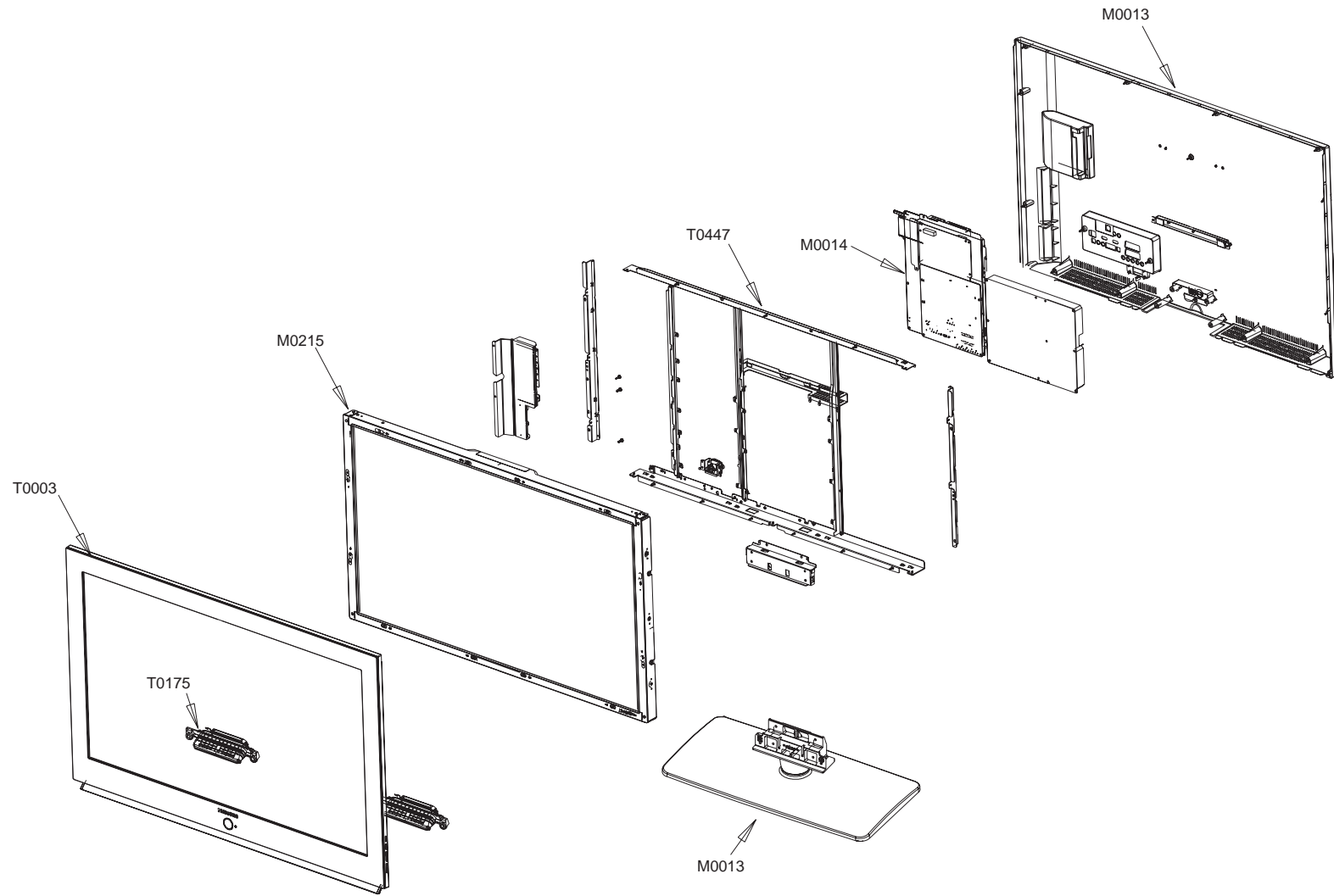
### 5-1 LE37M86BDX Exploded View



## 5-2 LE37M86BDX Parts list

| Location | Code.No     | Item & Specification                     | Q'ty | SA/SNA | Remark |
|----------|-------------|--|------|--------|--------|
| T0003    | BN96-04637B | ASSY COVER P-FRONT;37M86,EO(IDTV),-,ABS+ | 1    | S.A    |        |
| T0175    | BN96-04771A | ASSY SPEAKER P;8ohm,4pin,Enclosure Type, | 1    | S.A    |        |
| T0447    | BN96-04680C | ASSY BRACKET P-PANEL;37M87,AUO,NT,PAL    | 1    | S.N.A  |        |
| M0215    | BN07-00398A | LCD-PANEL;T370HW02,8bit,37inch,16.7M,16: | 1    | S.A    |        |
| M0014    | BN94-01206A | ASSY PCB MAIN;LE37M86BDX*                | 1    | S.A    |        |
| M0013    | BN96-04757A | ASSY COVER P-REAR;37M81,EO(IDTV),ABS+PMM | 1    | S.A    |        |
| M0013    | BN96-04640A | ASSY STAND P-BASE;37,40M81,-,ABS+PMMA,HB | 1    | S.A    |        |

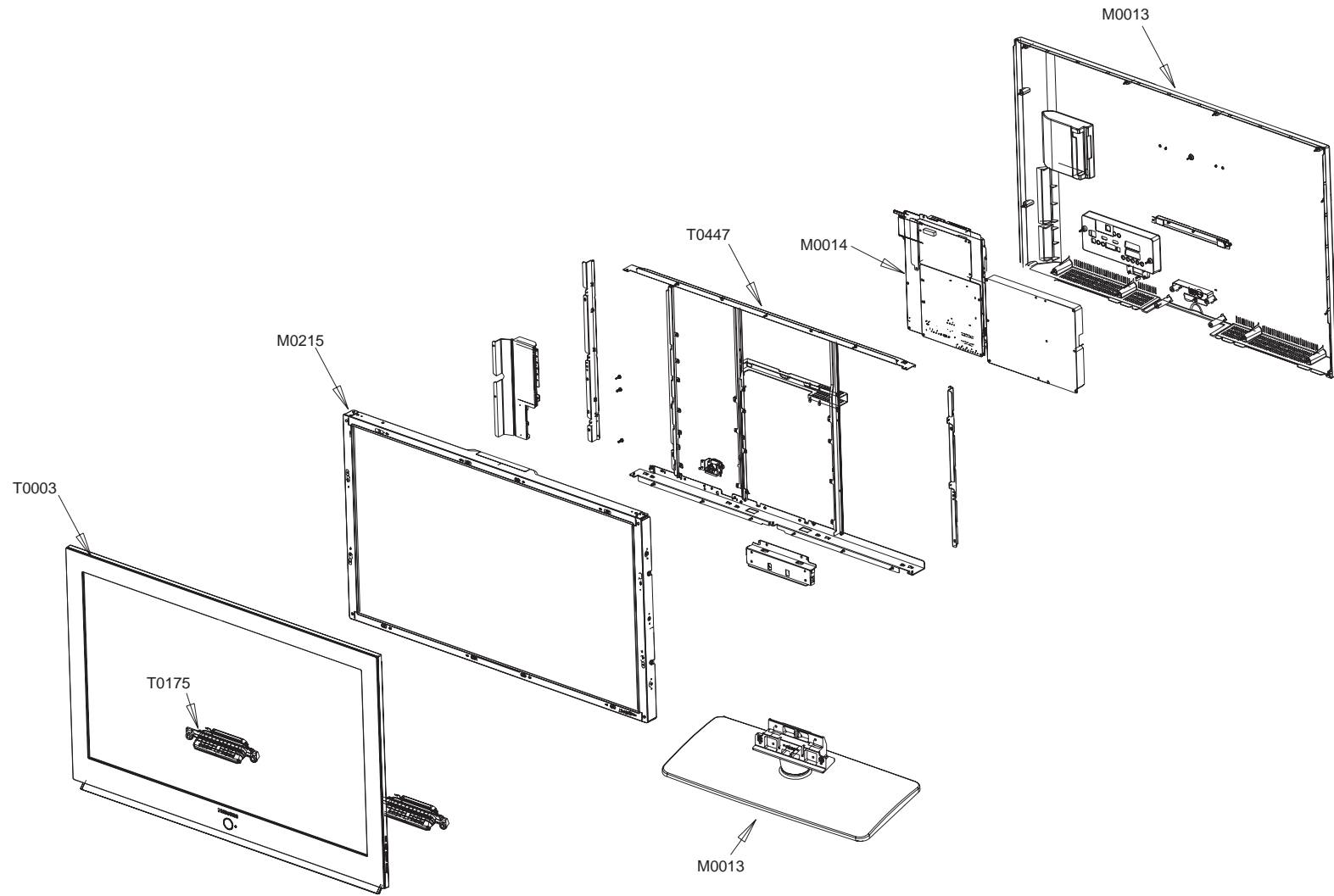
5-3 LE40M86BDX Exploded View



## 5-4 LE40M86BDX Parts list

| Location | Code.No     | Item & Specification                     | Q'ty | SA/SNA | Remark |
|----------|-------------|--|------|--------|--------|
| T0003    | BN96-04643H | ASSY COVER P-FRONT;40M86,EO(IDTV),ABS+PM | 1    | S.A    |        |
| T0175    | BN96-04771A | ASSY SPEAKER P;8ohm,4pin,Enclosure Type, | 1    | S.A    |        |
| T0447    | BN96-05213B | ASSY BRACKET P-PANEL;40M81,EO            | 1    | S.N.A  |        |
| M0215    | BN07-00383A | LCD-PANEL;LTA400HT-LH1,10bit,40inch,1.07 | 1    | S.A    |        |
| M0014    | BN94-01206B | ASSY PCB MAIN;LE40M86BDX*                | 1    | S.A    |        |
| M0013    | BN96-04746A | ASSY COVER P-REAR;40M81,EO(IDTV),ABS+PMM | 1    | S.A    |        |
| M0013    | BN96-04640A | ASSY STAND P-BASE;37,40M81,-,ABS+PMMA,HB | 1    | S.A    |        |

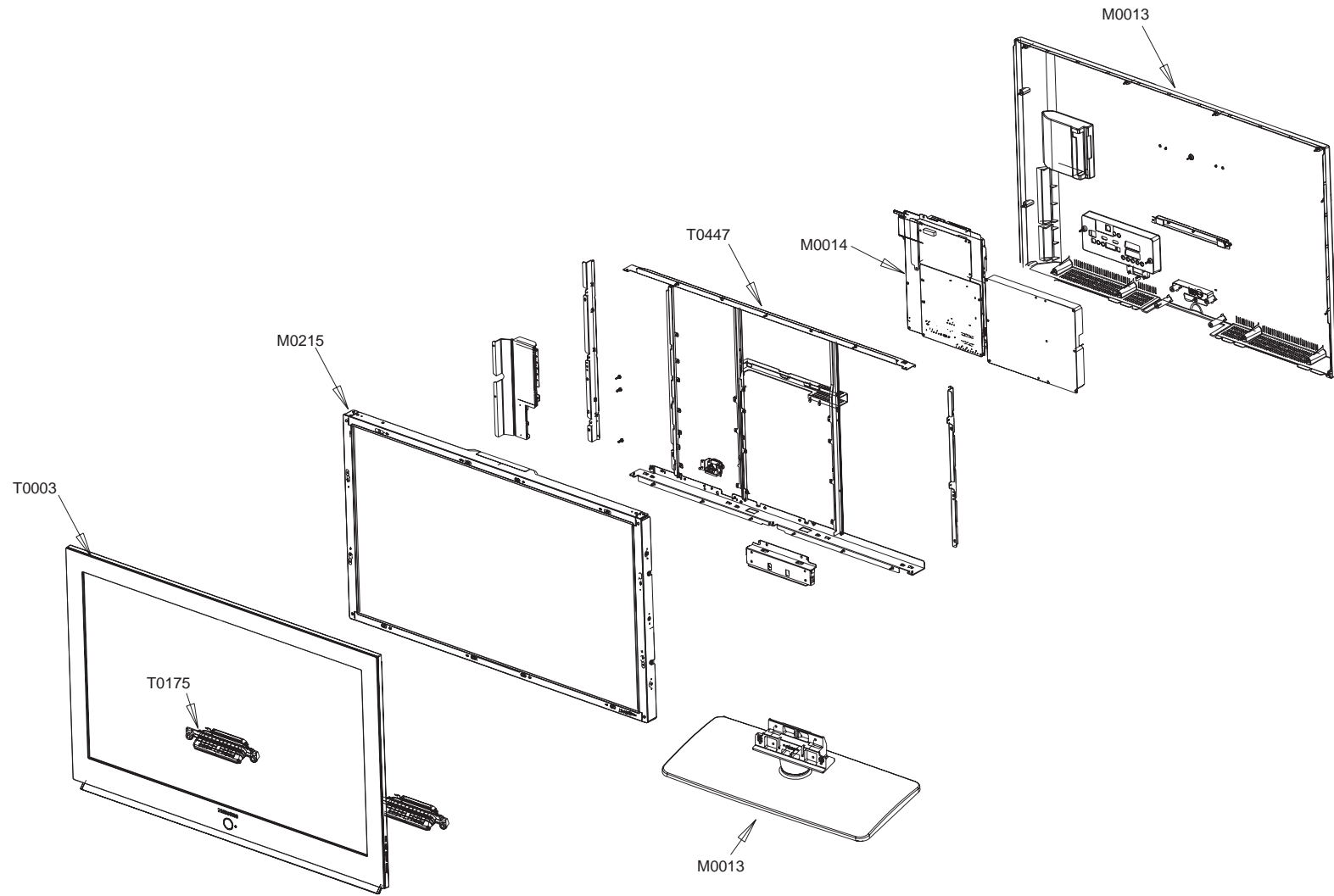
5-5 LE46M86BDX Exploded View



## 5-6 LE46M86BDX Parts list

| Location | Code.No     | Item & Specification                     | Q'ty | SA/SNA | Remark |
|----------|-------------|--|------|--------|--------|
| T0003    | BN96-04649H | ASSY COVER P-FRONT;46M86,EO(IDTV),ABS+PM | 1    | S.A    |        |
| T0175    | BN96-04771A | ASSY SPEAKER P;8ohm,4pin,Enclosure Type, | 1    | S.A    |        |
| T0447    | BN96-05214B | ASSY BRACKET P-PANEL;46M81,EO            | 1    | S.N.A  |        |
| M0215    | BN07-00391A | LCD-PANEL; LTA460HT-LH2,10bit,46inch,1.0 | 1    | S.A    |        |
| M0014    | BN94-01206C | ASSY PCB MAIN;LE46M86BDX*                | 1    | S.A    |        |
| M0013    | BN96-04731A | ASSY COVER P-REAR;46M81,EO(IDTV),-,ABS+P | 1    | S.A    |        |
| M0013    | BN96-04648A | ASSY STAND P-BASE;46,52M81,-,ABS+PMMA,HB | 1    | S.A    |        |

5-7 LE52M86BDX Exploded View



## 5 Exploded View &amp; Parts List

## 5-8 LE52M86BDX Parts list

| Location | Code.No     | Item & Specification                     | Q'ty | SA/SNA | Remark |
|----------|-------------|--|------|--------|--------|
| T0003    | BN96-04651J | ASSY COVER P-FRONT;52M87,EO(IDTV),ABS+PM | 1    | S.N.A  |        |
| T0175    | BN96-04772A | ASSY SPEAKER P;8ohm,4pin,Enclosure Type, | 1    | S.A    |        |
| T0447    | BN96-05294A | ASSY BRACKET P-PANEL;52M81,UO,EO,SO,LO   | 1    | S.N.A  |        |
| M0215    | BN07-00394A | LCD-PANEL;LTA520HA03,10bit,52inch,1.07B, | 1    | S.A    |        |
| M0014    | BN94-01206D | ASSY PCB MAIN;LE52M86BDX*                | 1    | S.A    |        |
| M0013    | BN96-04720A | ASSY COVER P-REAR;52M81,EO(IDTV),-,ABS+P | 1    | S.A    |        |
| M0013    | BN96-04648A | ASSY STAND P-BASE;46,52M81,-,ABS+PMMA,HB | 1    | S.A    |        |