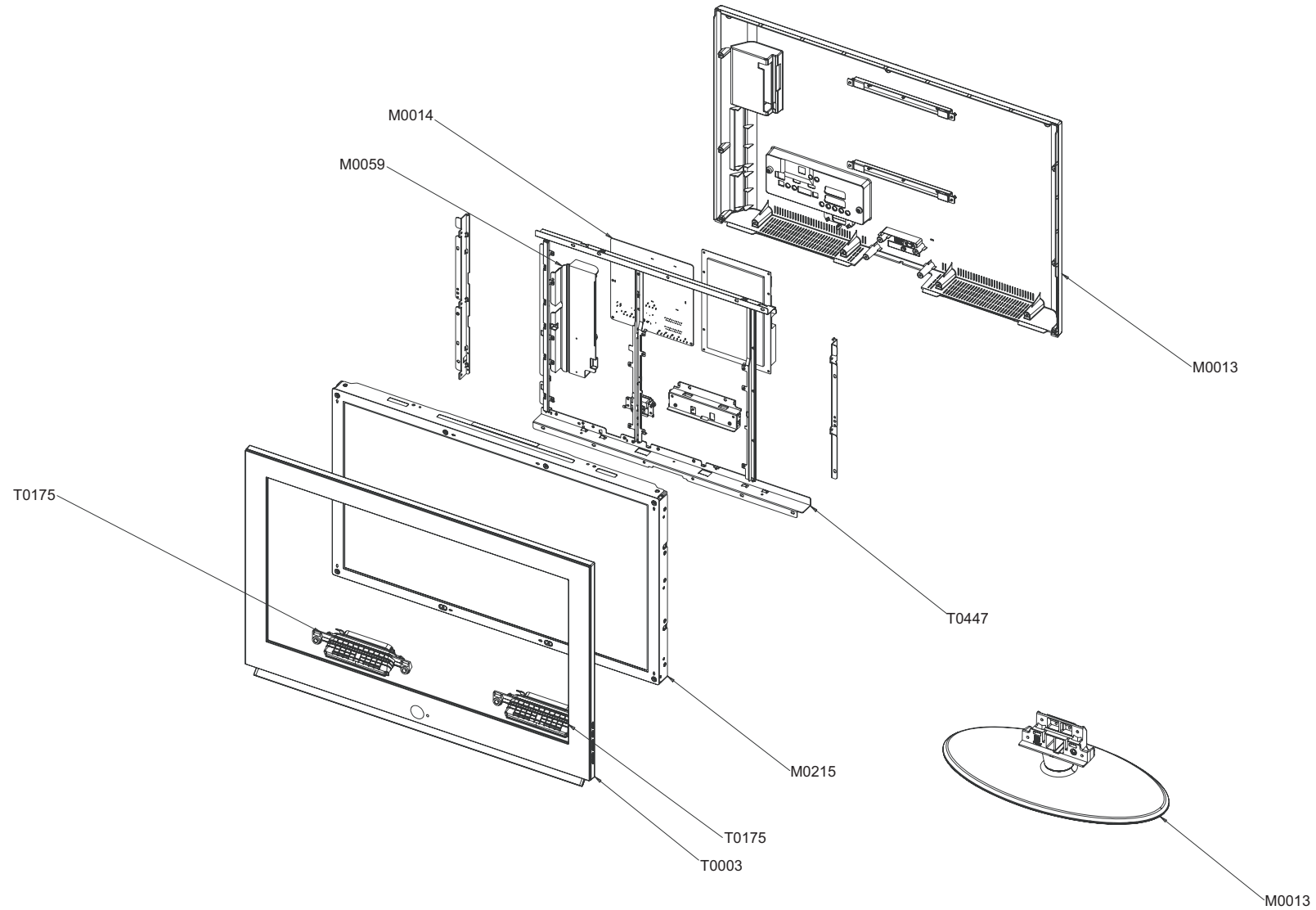


5 Exploded View and Parts List

- You can search for updated part codes through ITSELF web site.
URL : <http://itself.sec.samsung.co.kr/>

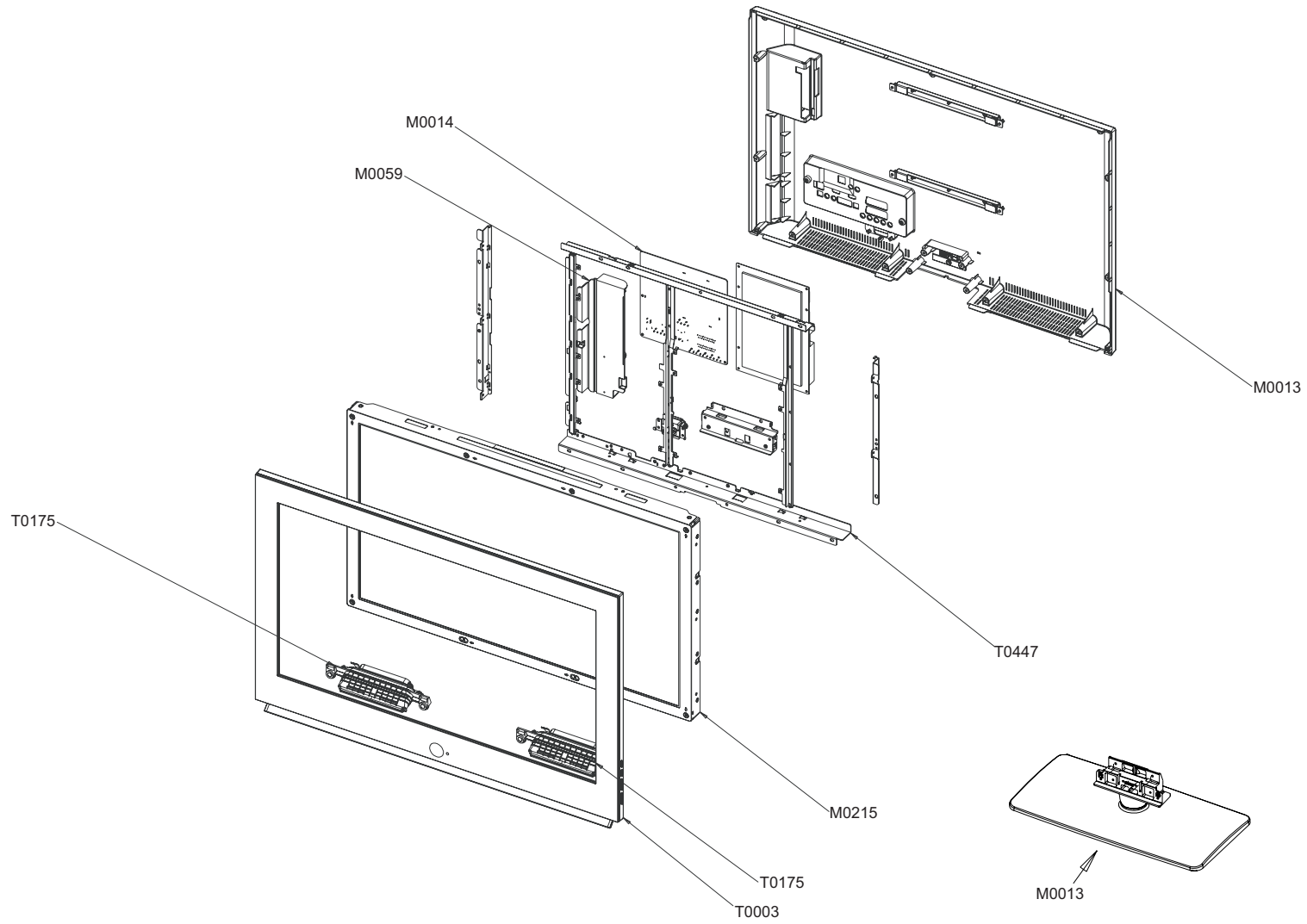
5-1 LE32M73BD Exploded View



5-2 LE32M73BD Parts list

Location	Code.No	Item & Specification	Q'ty	SA/SNA	Remark
T0003	BN96-03413D	ASSY COVER P-FRONT;32N73,EO,ABS+PMMA,HB,	1	S.A	
T0175	BN96-03271A	ASSY SPEAKER P;8ohm,Mosel 32,Left,10W,BA	1	S.A	
T0175	BN96-03272A	ASSY SPEAKER P;8ohm,Mosel 32,Right,10W,B	1	S.A	
M0215	BN07-00347A	LCD-PANEL;T315XW02 V8,-,8bit,760.0*450.0	1	S.A	
T0447	BN96-03440C	ASSY BRACKET P-PANEL;CAMBRIDGE32,SECC,BU	1	S.N.A	
M0014	BN94-01077E	ASSY PCB MAIN;LE32M73BDX/*	1	S.A	
M0013	BN96-04112B	ASSY COVER P-REAR;32M73,EO,HIPS,HB,BK500	1	S.A	
M0013	BN96-03419A	ASSY STAND P-BASE;32M71,-,ABS+PMMA,HB,BK	1	S.A	

5-3 LE32N73BD Exploded View

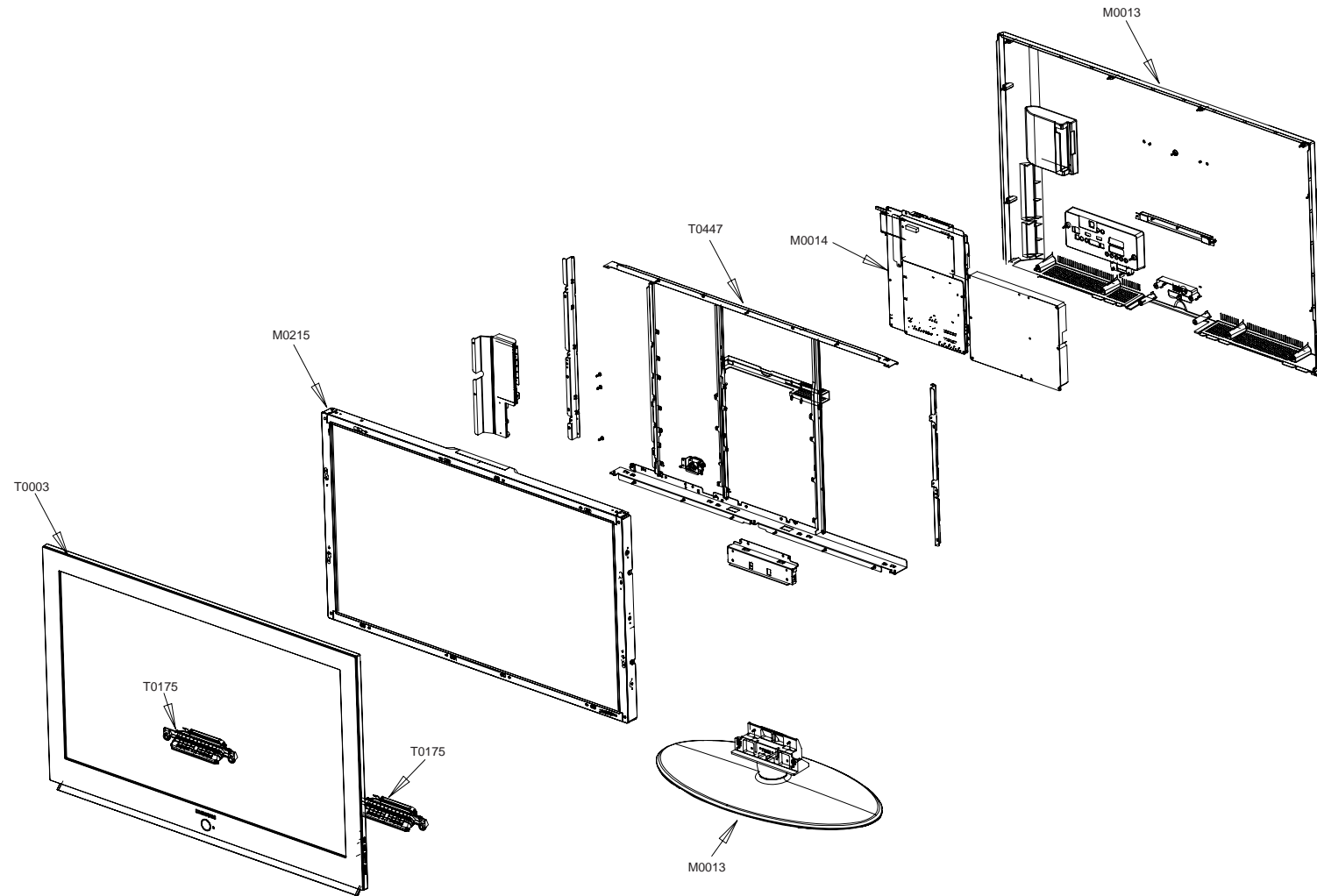


5 Exploded View & Parts List

5-4 LE32N73BD Parts list

Location	Code.No	Item & Specification	Q'ty	SA/SNA	Remark
T0003	BN96-03413D	ASSY COVER P-FRONT;32N73,EO,ABS+PMMA,HB,	1	S.A	
T0175	BN96-03271A	ASSY SPEAKER P;8ohm,Mosel 32,Left,10W,BA	1	S.A	
T0175	BN96-03272A	ASSY SPEAKER P;8ohm,Mosel 32,Right,10W,B	1	S.A	
T0447	BN96-03440C	ASSY BRACKET P-PANEL;CAMBRIDGE32,SECC,BU	1	S.N.A	
M0014	BN94-01077B	ASSY PCB MAIN;LE32N7BDX/*	1	S.A	
M0013	BN96-04112B	ASSY COVER P-REAR;32M73,EO,HIPS,HB,BK500	1	S.A	
M0013	BN96-04114A	ASSY STAND P-BASE;32N71,EO(NEO),-,ABS+PM	1	S.A	

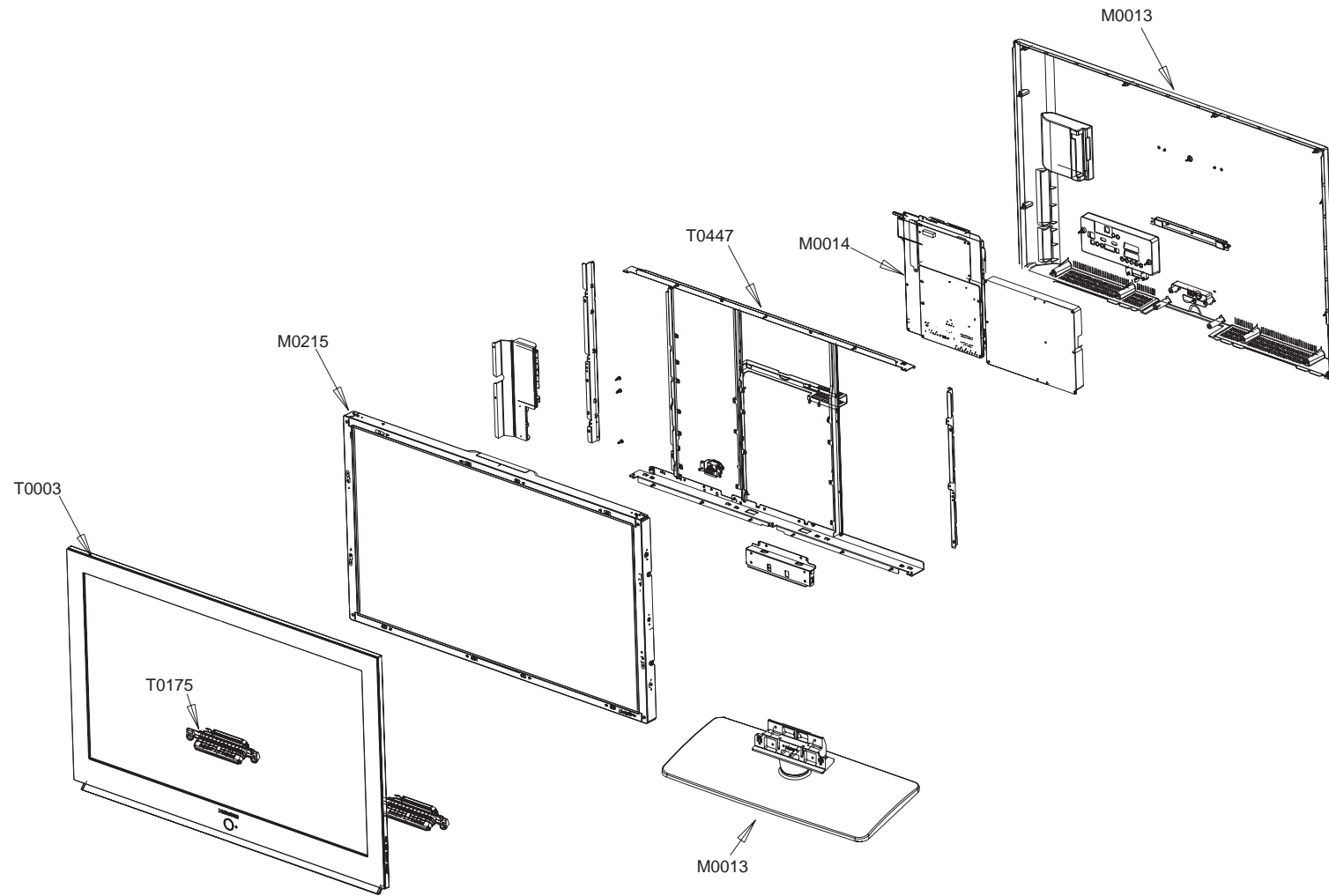
5-5 LE40M73BD Exploded View



5-6 LE40M73BD Parts list

Location	Code.No	Item & Specification	Q'ty	SA/SNA	Remark
T0003	BN96-03412D	ASSY COVER P-FRONT;40N73,EO,ABS+PMMA,HB,	1	S.A	
T0175	BN96-03271A	ASSY SPEAKER P;8ohm,Mosel 32,Left,10W,BA	1	S.A	
T0175	BN96-03272A	ASSY SPEAKER P;8ohm,Mosel 32,Right,10W,B	1	S.A	
M0215	BN07-00271A	LCD-PANEL;LTA400WH-LH1,10bit/120Hz,952*5	1	S.A	
T0447	BN96-04202A	ASSY BRACKET P-PANEL;40M71,EO,MOSEL,iDTV	1	S.N.A	
M0014	BN94-01077A	ASSY PCB MAIN;LE32M73BDX/*,LE40M73BDX/*	1	S.A	
M0013	BN96-03415B	ASSY COVER P-REAR;40N73,EO,HIPS,HB,BK500	1	S.A	
M0013	BN96-03418A	ASSY STAND P-BASE;40M70,ABS+PMMA,HB,BK23	1	S.A	

5-7 LE40N73BD Exploded View

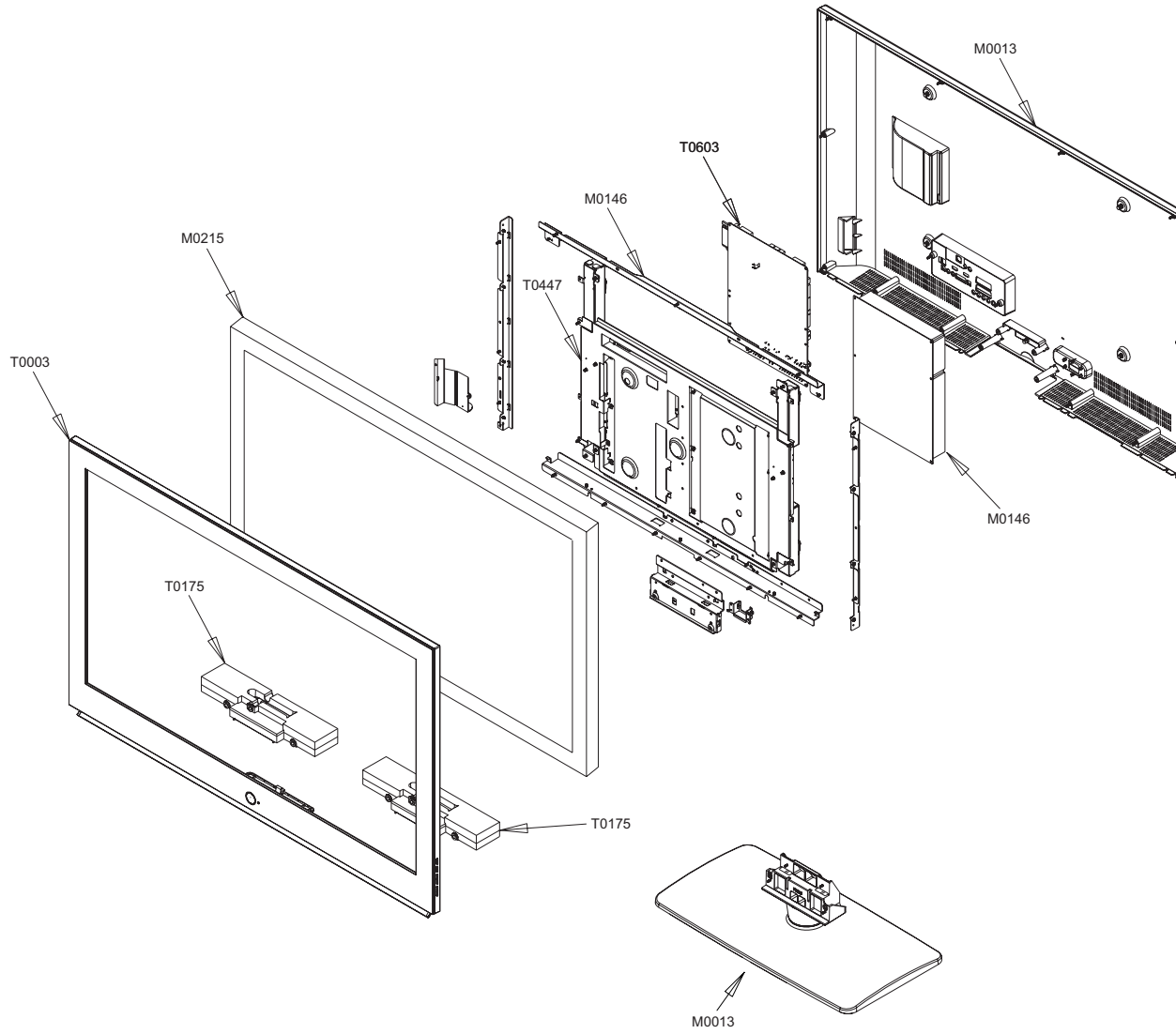


5 Exploded View & Parts List

5-8 LE40N73BD Parts list

Location	Code.No	Item & Specification	Q'ty	SA/SNA	Remark
T0003	BN96-03412D	ASSY COVER P-FRONT;40N73,EO,ABS+PMMA,HB,	1	S.A	
T0175	BN96-03271A	ASSY SPEAKER P;8ohm,Mosel 32,Left,10W,BA	1	S.A	
T0175	BN96-03272A	ASSY SPEAKER P;8ohm,Mosel 32,Right,10W,B	1	S.A	
M0215	BN07-00344A	LCD-PANEL;LTA400WT-LH2,8bit,40inch,16.7M	1	S.A	
T0447	BN96-04202B	ASSY BRACKET P-PANEL;40N71,EO,NEO MOSEL,	1	S.N.A	
M0014	BN94-01077B	ASSY PCB MAIN;LE32N7BDX/*	1	S.A	
M0013	BN96-03415B	ASSY COVER P-REAR;40N73,EO,HIPS,HB,BK500	1	S.A	
M0013	BN96-03989A	ASSY STAND P-BASE;MOSEL-2,40,ABS+PMMA,HB	1	S.A	

5-9 LE46N73BD Exploded View



5-10 LE46N73BD Parts list

Location	Code.No	Item & Specification	Q'ty	SA/SNA	Remark
T0003	BN96-03411C	ASSY COVER P-FRONT;46N73,EO,ABS+PMMA,HB,	1	S.A	
T0175	BN96-03591B	ASSY SPEAKER P;8ohm,Mosel 52inch,Left,10	1	S.A	
T0175	BN96-03593B	ASSY SPEAKER P;8ohm,Mosel 52inch,Right,1	1	S.A	
M0215	BN07-00345A	LCD-PANEL;LTA460WT-LH2,8bit,46inch,16.7M	1	S.A	
T0447	BN96-04118A	ASSY BRACKET P-PANEL;46M71,NEOMOSEL,SECC	1	S.N.A	
M0014	BN94-01077C	ASSY PCB MAIN;LE46N7BDX/*	1	S.A	
M0013	BN96-04116B	ASSY COVER P-REAR;46N73,EO,HIPS,HB,BK500	1	S.A	
M0013	BN96-04057A	ASSY STAND P-BASE;46M7,ABS+PMMA,HB,BK23,	1	S.A	