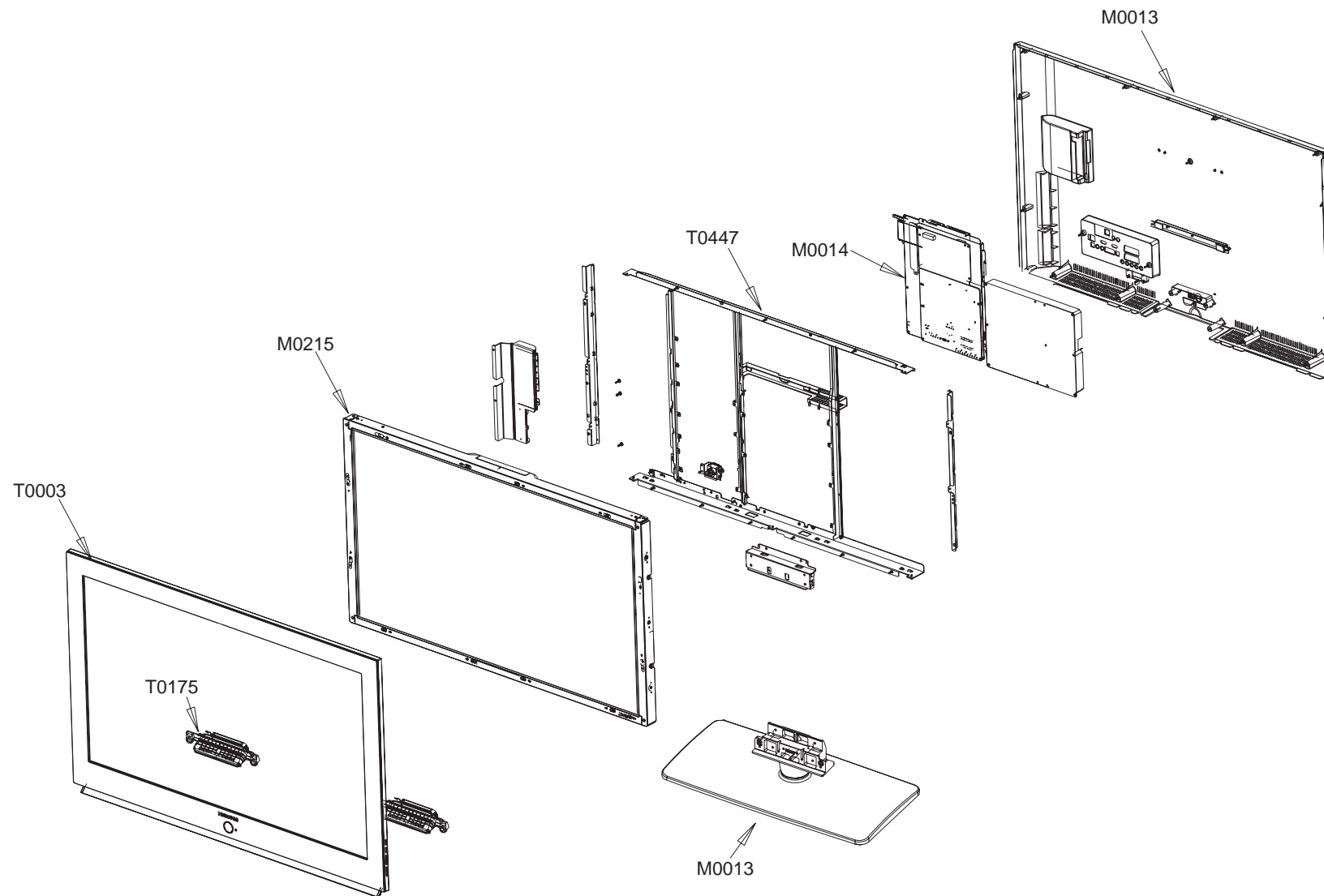


5 Exploded View and Parts List

- You can search for updated part codes through ITSELF web site.
URL : <http://itself.sec.samsung.co.kr/>

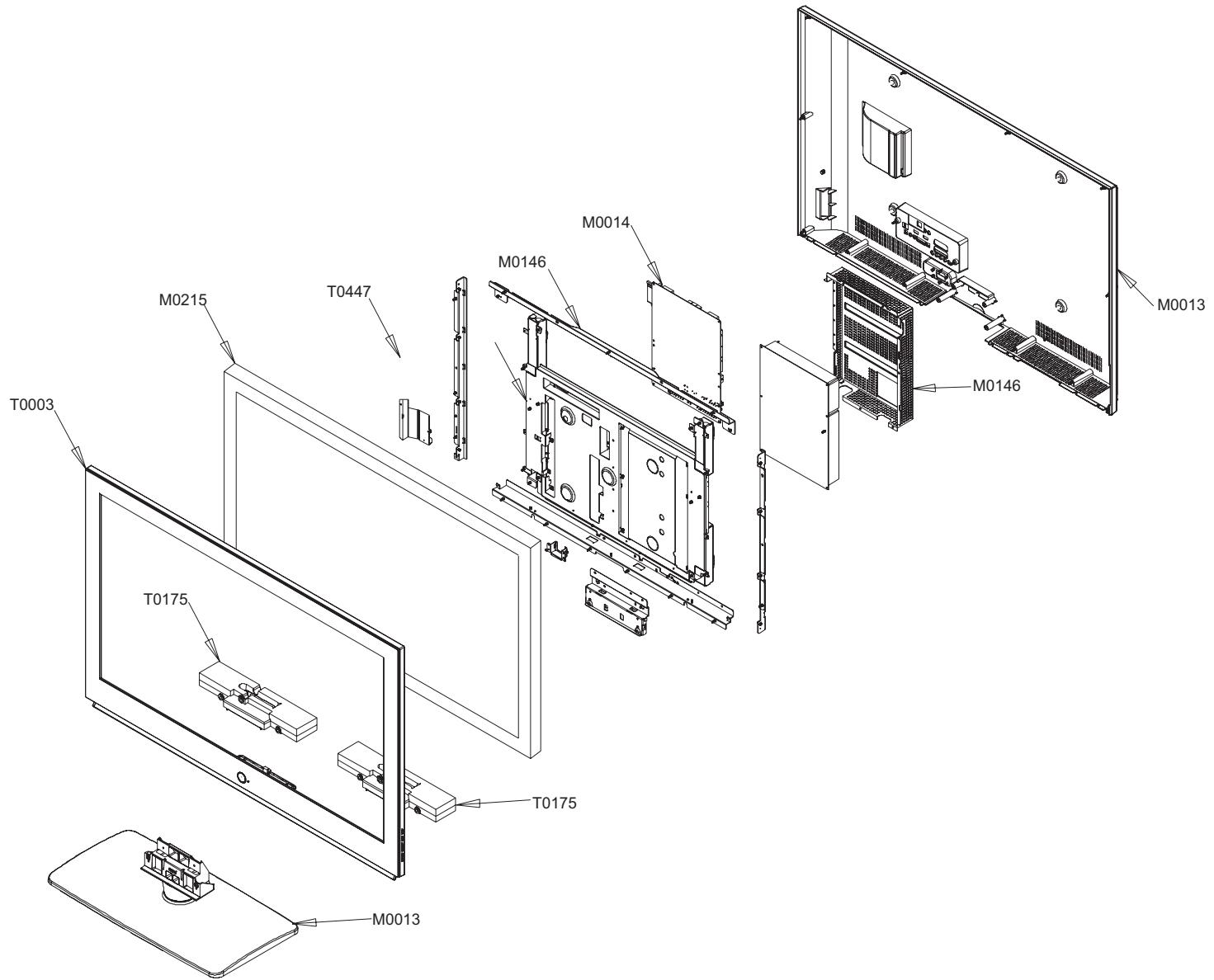
5-1 LE40F71B Exploded View



5-2 LE40F71B Parts list

Location	Code.No	Item & Specification	Q'ty	SA/SNA	Remark
T0003	BN96-03412F	ASSY COVER P-FRONT;40F71,EO,-,ABS+PMMA,H	1	S.A	
T0175	BN96-03271A	ASSY SPEAKER P;8ohm,Mosel 32,Left,10W,BA	1	S.A	
T0175	BN96-03272A	ASSY SPEAKER P;8ohm,Mosel 32,Right,10W,B	1	S.A	
M0215	BN07-00288A	LCD-PANEL;LTA400HS-LH1,8bit,952*551*51.0	1	S.A	
T0447	BN96-03421A	ASSY BRACKET P-PANEL;40M7,EO,MOSEL	1	S.N.A	
M0014	BN94-01088A	ASSY PCB MAIN;LE40F71BX/*	1	S.A	
M0013	BN96-03415A	ASSY COVER P-REAR;40M71,EO,HIPS,HB,BK500	1	S.A	
M0013	BN96-03989A	ASSY STAND P-BASE;MOSEL-2,40,ABS+PMMA,HB	1	S.A	

5-3 LE46F71B Exploded View



5-4 LE46F71B Parts list

Location	Code.No	Item & Specification	Q'ty	SA/SNA	Remark
T0003	BN96-03411G	ASSY COVER P-FRONT;46F71,EO,ABS+PMMA,HB,	1	S.N.A	
T0175	BN96-03591B	ASSY SPEAKER P;8ohm,Mosel 52inch,Left,10	1	S.A	
T0175	BN96-03593B	ASSY SPEAKER P;8ohm,Mosel 52inch,Right,1	1	S.A	
M0215	BN07-00291A	LCD-PANEL;LTA460HS-LH1,8bit,1083*627*56.	1	S.A	
T0447	BN96-04118A	ASSY BRACKET P-PANEL;46M71,NEOMOSEL,SECC	1	S.N.A	
M0014	BN94-01089A	ASSY PCB MAIN;LE46F71BX/*	1	S.N.A	
M0013	BN96-04116A	ASSY COVER P-REAR;46M71,EO,HIPS,HB,BK500	1	S.A	
M0013	BN96-04057A	ASSY STAND P-BASE;46M7,ABS+PMMA,HB,BK23,	1	S.A	