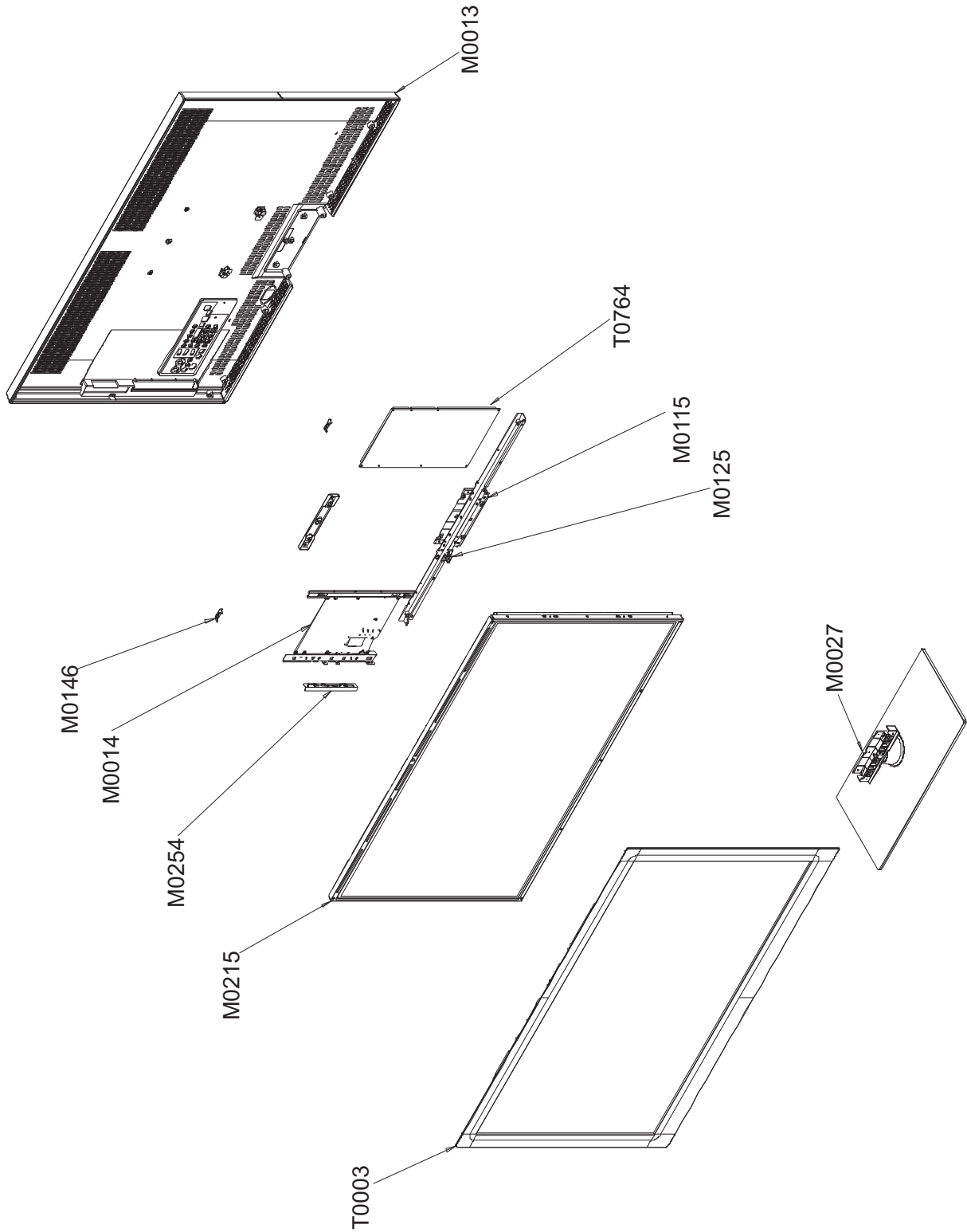


## 5. Exploded View & Part List

### 5-1. LE40A856S Exploded View



**5-1-1. LE40A856S Parts List**

Location No.	Code No.	Description & Specification	Q'ty	S.A/S.N.A	Remark
T0003	BN96-08567A	ASSY COVER P-FRONT;40L850,EO,PC(CLEAR)+P	1	S.A	
M0215	BN07-00561A	LCD-PANEL;LTF400HC02	1	S.A	
M0254	BN61-04381B	HOLDER-SIDE AV;L850,EO,ABS+PMMA,HB,BK23,	1	S.N.A	
M0014	BN94-02102A	ASSY PCB MAIN;LE40A856S1FXXC	1	S.A	
M0146	BN61-04370A	BRACKET-PANEL SIDE;L850,SECC,T1.2	2	S.N.A	
T0101	BN61-03348A	BRACKET-WALL;LCD TV 32,SECC T1.2,-,-,-,-	2	S.N.A	
M0027	BN96-07292A	ASSY STAND P-BASE;40L850,GLASS	1	S.A	
M0125	BN96-08481B	ASSY INLET P;LN46A850S1FXZA,450mm,AC110V	1	S.A	
M0115	BN61-04375A	BRACKET-STAND LINK;46/52L850,SECC,T1.6	1	S.N.A	
T0764	BN44-00245A	SMPS-LCDTV;SC4014,SC4014,AC/DC,206W,AC10	1	S.A	
M0013	BN96-08569A	ASSY COVER P-REAR;40L850,EO,PC+ABS,V0,BK	1	S.A	