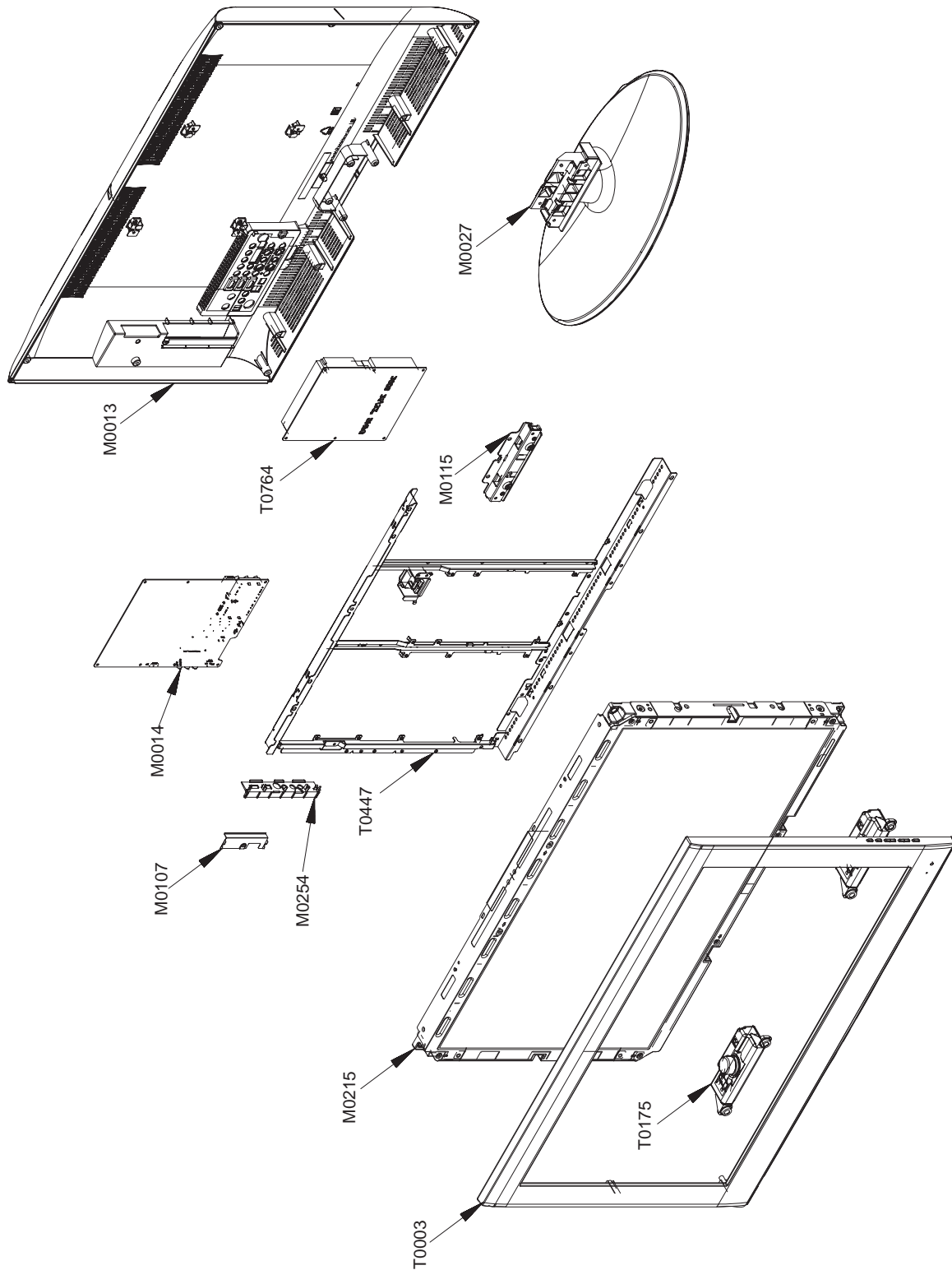


## 5. Exploded View & Part List

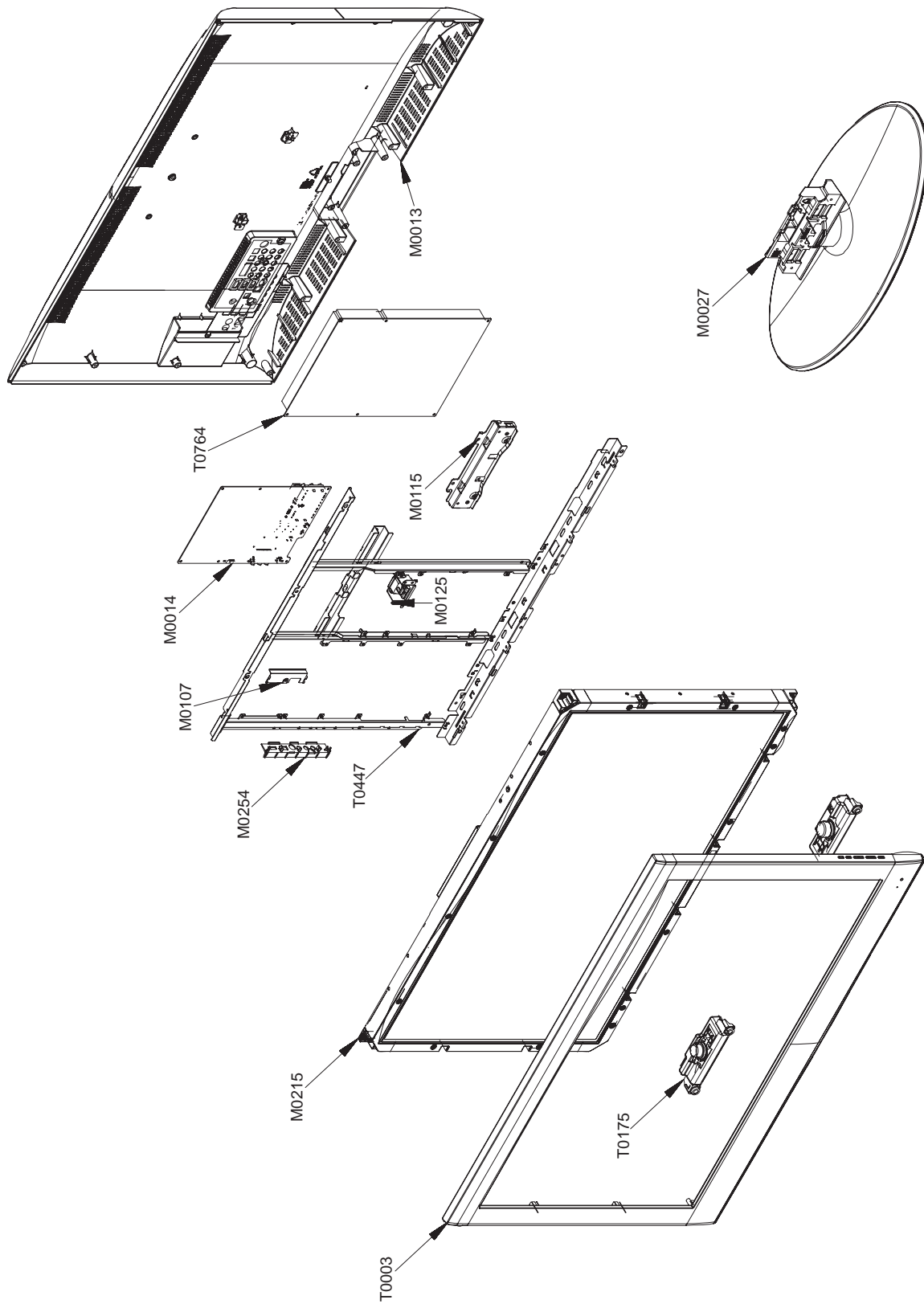
### 5-1. LE32A55\*P Exploded View



**5-1-2. LE32A55\*P Parts List**

Location No.	Code No.	Description & Specification	Q'ty	S.A/S.N.A	Remark
T0003	BN96-07425B	ASSY COVER P-FRONT;32L550,P3,EO(iDTV),AB	1	S.A	
T0175	BN96-06818B	ASSY SPEAKER P;8ohm,CORAL,L450,10W,4pin,	1	S.A	
M0215	BN07-00520A	LCD-PANEL;LTF320HA01	1	S.A	
T0447	BN96-04681A	ASSY BRACKET P-PANEL;-;32R81,-,-,-,AM,	1	S.N.A	
M0115	BN61-03706A	BRACKET-STAND LINK;BRACKET-STAND-LINK 32	1	S.A	
M0107	BN63-03039A	SHIELD-COVER;MURANO40,PCM,T0.5,IDTV	1	S.N.A	
M0254	BN61-02875E	HOLDER-SIDE AV;40F8,EO,HIPS V0,-,-,-,BK5	1	S.N.A	
M0014	BN94-01656E	ASSY PCB MAIN-AMLCD;LE32A556P1FX,N46A	1	S.A	
T0764	BN44-00208A	SMPS-LCDTV;MK32P5T,SEM,AC/DC,137W,AC100	1	S.A	
M0013	BN96-06947B	ASSY COVER P-REAR;32L530,EO(iDTV),HIPS,H	1	S.A	
M0027	BN96-06935A	ASSY STAND P-BASE;32,L530,ABS+PMMA,HB,BK	1	S.A	

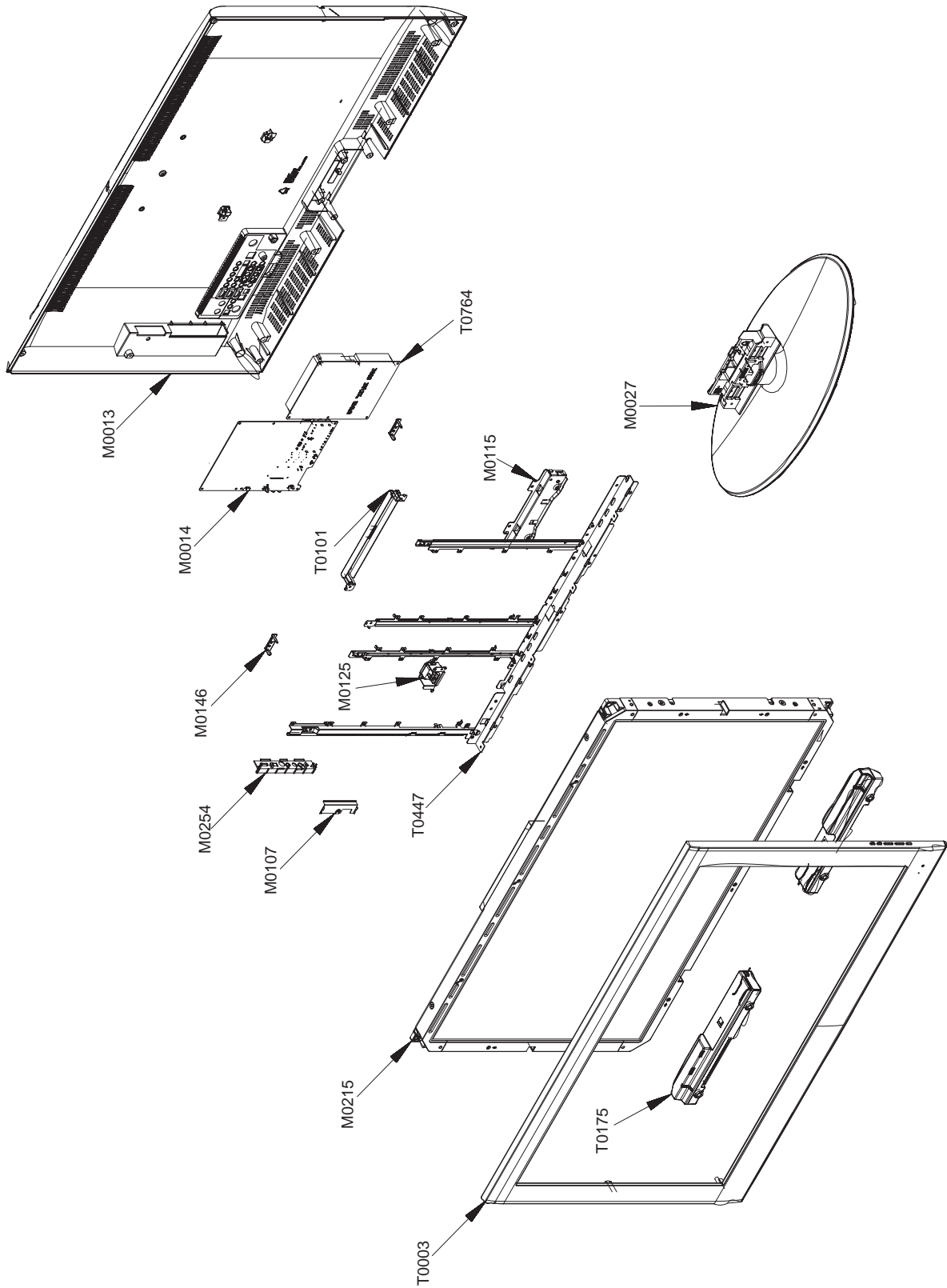
## 5-2. LE37A55\*P Exploded View



**5-2-1. LE37A55\*P Parts List**

Location No.	Code No.	Description & Specification	Q'ty	S.A/S.N.A	Remark
T0003	BN96-07427D	ASSY COVER P-FRONT;37L550,P3,EO(iDTV),AB	1	S.N.A	
T0175	BN96-06818B	ASSY SPEAKER P;8ohm,CORAL,L450,10W,4pin,	1	S.A	
M0215	BN07-00514A	LCD-PANEL;T370HW02 V4	1	S.A	
T0447	BN96-06880A	ASSY BRACKET P-PANEL;37L550P3,,SECC,,,PE	1	S.N.A	
M0115	BN61-02882A	BRACKET-STAND LINK;TULIP,40,SECC,T1.6,-,	1	S.A	
M0107	BN63-03039A	SHIELD-COVER;MURANO40,PCM,T0.5,IDTV	1	S.N.A	
M0254	BN61-02875E	HOLDER-SIDE AV;40F8,EO,HIPS V0,-,-,-,BK5	1	S.N.A	
M0014	BN94-01656A	ASSY PCB MAIN-AUO;LE37A556P1FX,N46A	1	S.A	
M0125	BN96-04817B	ASSY INLET P;LNT4081FX,XAA,250mm,250mm,-	1	S.A	
T0764	BN44-00216A	SMPS-LCDTV;MK37P5T,SEM,AC/DC,171W,AC100	1	S.A	
M0013	BN96-06948B	ASSY COVER P-REAR;37L530,EO(iDTV),HIPS,H	1	S.A	
M0027	BN96-04754A	ASSY STAND P-BASE;- ,37,40S81,-,ABS+PMMA,	1	S.A	

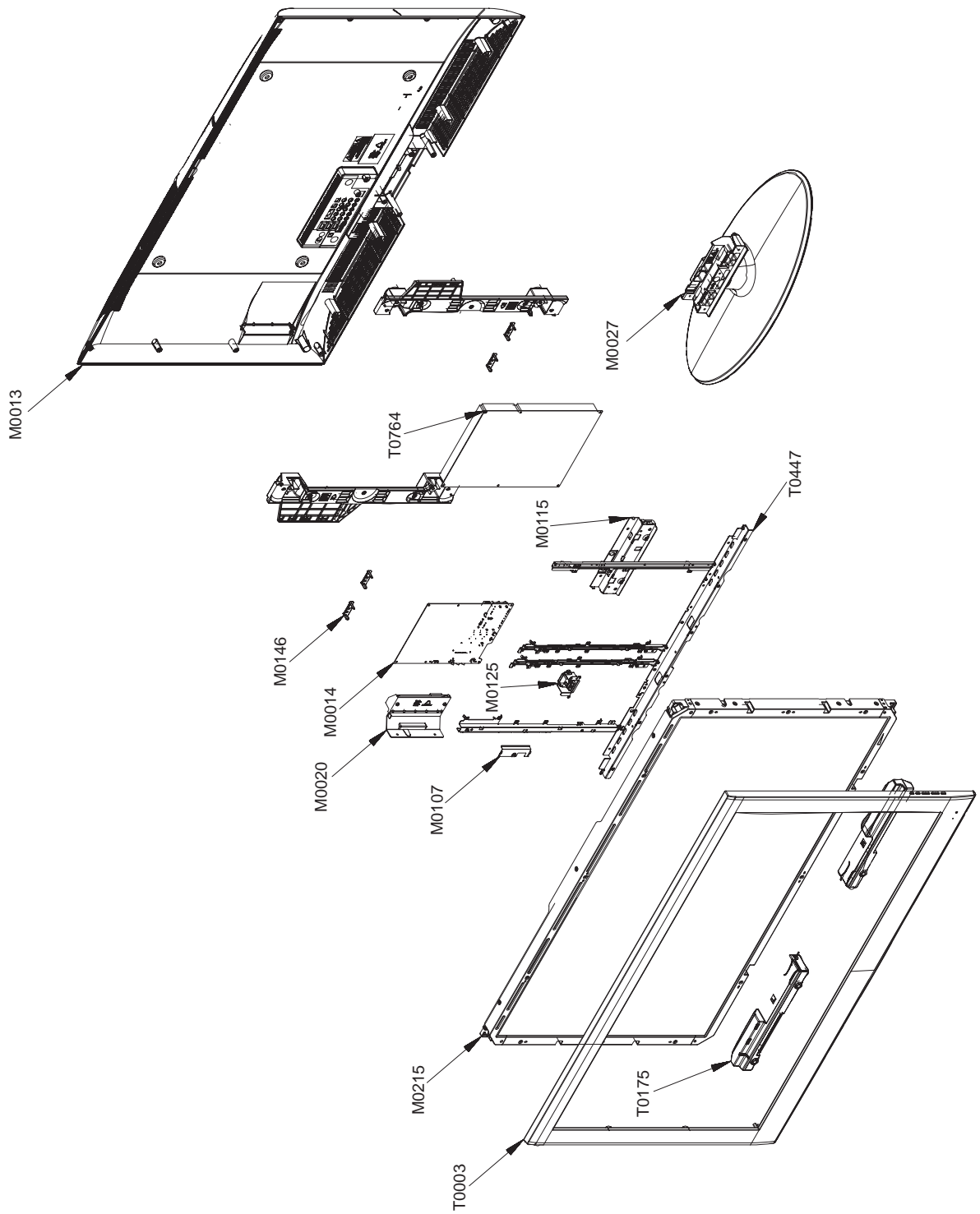
### 5-3. LE40A55\*P Exploded View



**5-3-1. LE40A55\*P Parts List**

Location No.	Code No.	Description & Specification	Q'ty	S.A/S.N.A	Remark
T0003	BN96-06715E	ASSY COVER P-FRONT;40L550,P2,P3,P4,EO(iD	1	S.N.A	
T0175	BN96-06809B	ASSY SPEAKER P;8ohm,L530 40"/46",Down Fi	1	S.A	
M0215	BN07-00516A	LCD-PANEL;T400HW02 V1	1	S.A	
T0447	BN96-06960A	ASSY BRACKET P-PANEL;40A450C,SECC,T1.0,C	1	S.N.A	
M0115	BN61-02882A	BRACKET-STAND LINK;TULIP,40,SECC,T1.6,-,	1	S.A	
M0146	BN61-03414A	BRACKET-PANEL TOP;PEONY52,SECC T1.2	2	S.N.A	
M0107	BN63-03039A	SHIELD-COVER;MURANO40,PCM,T0.5,IDTV	1	S.N.A	
M0254	BN61-02875E	HOLDER-SIDE AV;40F8,EO,HIPS V0,-,-,-,BK5	1	S.N.A	
M0014	BN94-01656B	ASSY PCB MAIN-AUO;LE40A556P1FX,N46A	1	S.A	
M0125	BN96-04817B	ASSY INLET P;LNT4081FX,XAA,250mm,250mm,-	1	S.A	
T0101	BN61-03700A	BRACKET-WALL;L450 40INCH,SECC,T1.0	1	S.N.A	
M0013	BN96-06948B	ASSY COVER P-REAR;37L530,EO(iDTV),HIPS,H	1	S.A	
M0027	BN96-04754A	ASSY STAND P-BASE;- ,37,40S81,-,ABS+PMMA,	1	S.A	

5-4. LE46A55\*P Exploded View

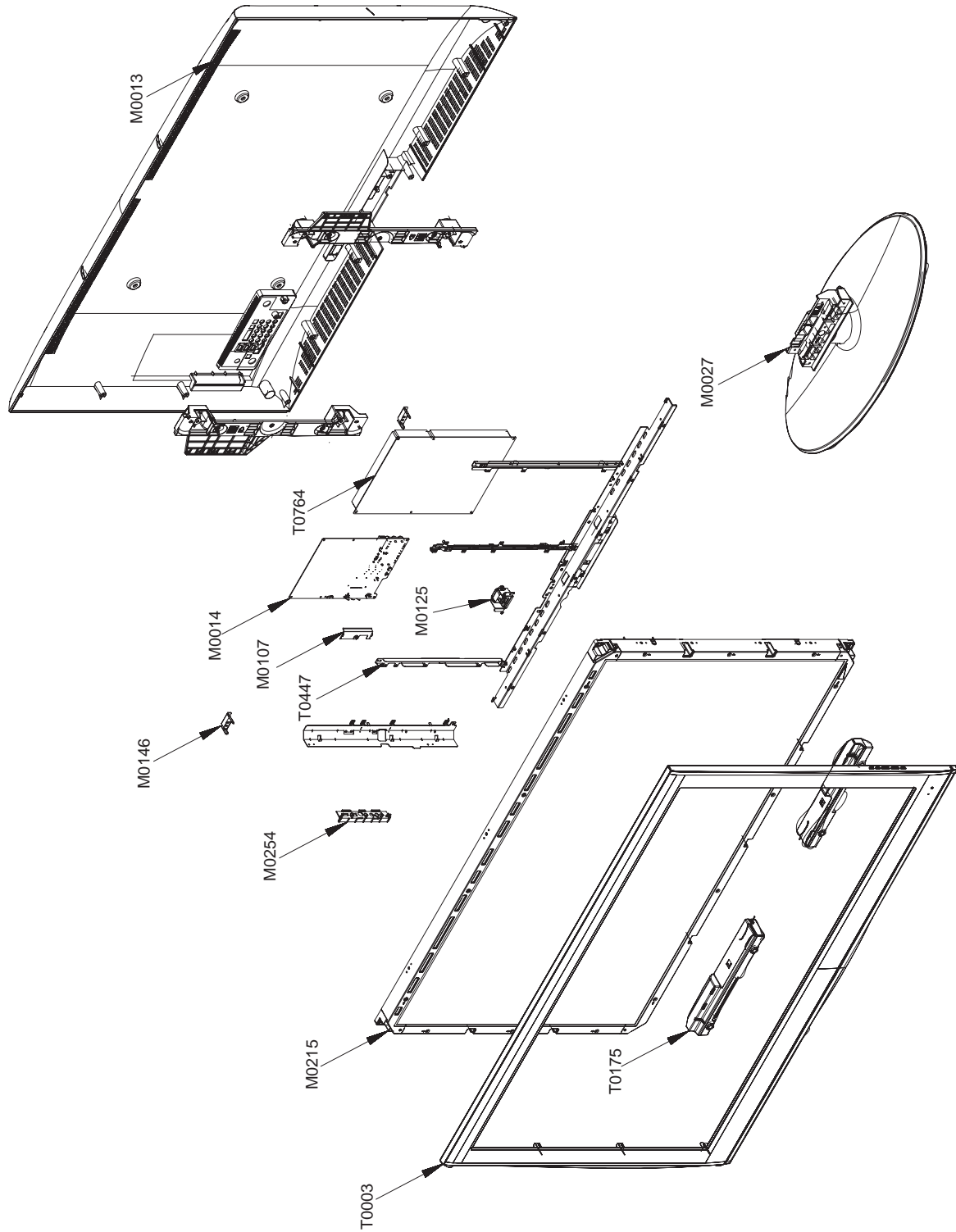


**5-4-1. LE46A55\*P Parts List**

Location No.	Code No.	Description & Specification	Q'ty	S.A/S.N.A	Remark
T0003	BN96-06928C	ASSY COVER P-FRONT;46L530,P3,EO(iDTV),AB	1	S.A	
T0175	BN96-06809B	ASSY SPEAKER P;8ohm,L530 40"/46",Down Fi	1	S.A	
M0215	BN07-00517A	LCD-PANEL;T460HW03 V1	1	S.A	
T0447	BN96-06885A	ASSY BRACKET P-PANEL;46,L650A,AMBER	1	S.N.A	
M0115	BN61-03790A	BRACKET-STAND LINK;AMBER 46,SECC,T1.6,-,	1	S.N.A	
M0107	BN63-03039A	SHIELD-COVER;MURANO40,PCM,T0.5,IDTV	1	S.N.A	
M0146	BN61-03414A	BRACKET-PANEL TOP;PEONY52,SECC T1.2	4	S.N.A	
M0020	BN96-07563A	HOLDER-SIDE AV;40F8,EO,HIPS V0,-,-,-,BK5	1	S.N.A	
M0014	BN94-01656B	ASSY PCB MAIN-AUO;LE40A556P1FX,N46A	1	S.A	
M0125	BN96-07563A	ASSY BOARD P-SIDE AV;L46A558P3F,SJ08-01-	1	S.N.A	
M0013	BN96-06950B	ASSY COVER P-REAR;46L530,EO(iDTV),HIPS,H	1	S.A	
M0027	BN96-06936A	ASSY STAND P-BASE;46,L530,ABS+PMMA,HB,BK	1	S.A	



### 5-5. LE52A55\*P Exploded View



**5-5-1. LE52A55\*P Parts List**

Location No.	Code No.	Description & Specification	Q'ty	S.A/S.N.A	Remark
T0003	BN96-06713B	ASSY COVER P-FRONT;52L550,P3,EO(iDTV),AB	1	S.A	
T0175	BN96-06809C	ASSY SPEAKER P;8ohm,L530 52",Down Firing	1	S.A	
M0215	BN07-00522A	LCD-PANEL;LTF520HB01	1	S.A	
T0447	BN96-07390A	ASSY BRACKET P-PANEL;52L550,P2,P3,P4,EO,	1	S.N.A	
M0115	BN61-03790A	BRACKET-STAND LINK;AMBER 46,SECC,T1.6,-,	1	S.N.A	
M0107	BN63-03039A	SHIELD-COVER;MURANO40,PCM,T0.5,IDTV	1	S.N.A	
M0254	BN61-02875E	HOLDER-SIDE AV;40F8,EO,HIPS V0,-,-,-,BK5	1	S.N.A	
M0014	BN94-01656D	ASSY PCB MAIN-AMLCD;LE52A556P1FX,N46A	1	S.A	
M0125	BN96-05490A	ASSY INLET P;LE52M87BDX,XEC,300,300,150m	1	S.A	
M0013	BN96-06951B	ASSY COVER P-REAR;52L530,EO(iDTV),HIPS,H	1	S.A	
M0027	BN96-06937A	ASSY STAND P-BASE;52,L530,ABS+PMMA,HB,BK	1	S.A	

## 5-6. LE32A55\*P Parts List

Level	Location No.	Code No.	Description & Specification	Q'ty	SA/SNA	Remark
		LE32A557P2FXBT	LE32A557P2F,N46A/32AP2-GPR,32,LCD-TV,LAT			
0.1	M0001	BN90-01545B	ASSY COVER FRONT;32L530,EO,P2	1	S.N.A	
..2	T0003	BN96-06925E	ASSY COVER P-FRONT;32L557,EO(iDTV),ABS+P	1	S.A	
...3	M0081	6003-001188	SCREW-TAPTITE;BH,+,-,B,M4,L10,ZPC(WHT),S	1	S.N.A	
...3	M0081	6003-001188	SCREW-TAPTITE;BH,+,-,B,M4,L10,ZPC(WHT),S	1	S.N.A	
...3	M0081	6003-001188	SCREW-TAPTITE;BH,+,-,B,M4,L10,ZPC(WHT),S	2	S.N.A	
...3	T0069	AA60-00171Q	SPACER-FELT;56L3,FELT,690,T0.35,8	2	S.N.A	
...3		BN61-03261J	BOSS-TAPE;Tulip,ACRYL,T1.1,W16.0mm,GRAY,	0.62	S.N.A	
...3		BN61-03885B	HOLDER-BOSS BOTTOM;32L530,HIPS,HB,BK500	1	S.N.A	
...3		BN63-01925A	FELT-VIBRATION;42D5,FELT,T0.35,10,370	2	S.N.A	
...3	CCM1	BN63-02183D	COVER-SHEET;Rhcm,PE Vinyl,T0.05,680mm,20	1.48	S.N.A	
...3	M0112	BN63-04364C	COVER-FRONT;32L550,P2,P3,P4,EO(iDTV),ABS	1	S.N.A	
...3	T0059	BN64-00379A	INDICATOR LED;ROME-II,23,PC,CLEAR	1	S.N.A	
...3	T0061	BN64-00453A	WINDOW-REMOCON;32R71,PC,V0,VIOLET,DIFFUS	1	S.N.A	
...3	T0022	BN64-00755A	KNOB-CONTROL;32L450,ABS,V0,BK07	1	S.N.A	
...3	M0025	BN96-06724A	ASSY DECORATION P;L550-2 32Inch,EO,ABS+P	1	S.N.A	
...4	CCM1	BN63-02183D	COVER-SHEET;Rhcm,PE Vinyl,T0.05,680mm,20	0.05	S.N.A	
...4		BN64-00835A	DECORATION-BOTTOM;DECORATION-BOTTOM 32 L	1	S.N.A	
...3	M0102	BN96-06798A	ASSY BLU P;Pearl(L550),BACK LIGHT UNIT,M	1	S.A	
...3	M0145	BN96-07269A	ASSY BOARD P-FUNCTION;LN40A450C1D,CT5000	1	S.A	
...3	M0146	BN96-07270F	ASSY BOARD P-POWER & IR;LE32A656P1F,CT50	1	S.A	
0.1	M0002	BN90-01550A	ASSY COVER REAR;32L550,P3,EO(iDTV),,,,	1	S.N.A	
..2	T0081	6002-001294	SCREW-TAPPING;BH,+,,M4,L16,ZPC(BLK)	1	S.A	
..2	T0081	6002-001294	SCREW-TAPPING;BH,+,,M4,L16,ZPC(BLK)	11	S.A	
..2	T0081	6002-001294	SCREW-TAPPING;BH,+,,M4,L16,ZPC(BLK)	1	S.A	
..2	M0013	BN96-06947B	ASSY COVER P-REAR;32L530,EO(iDTV),HIPS,H	1	S.A	
...3	M0081	6003-001188	SCREW-TAPTITE;BH,+,-,B,M4,L10,ZPC(WHT),S	4	S.N.A	
...3	T0101	BN61-03348A	BRACKET-WALL;LCD TV 32,SECC T1.2,-,-,-,-	4	S.N.A	
...3	M0006	BN63-04366B	COVER-REAR;32L550,P3,EO(iDTV),HIPS,-,-,-	1	S.N.A	
...3	T0071	BN64-00776A	INLAY-TERMINAL;L450,EO(iDTV),PS SHEET,T0	1	S.N.A	
...3	T0064	BN65-00002A	CLAMPER CORE;BORDEAUX,LDPE,-,-,BLK,-	1	S.N.A	
0.1	M0216	BN90-01555A	ASSY STAND;32L530	1	S.N.A	
..2	T0524	6902-000241	BAG PE;NITRON/HDPE,T0.5/T0.012,W600,L600	1	S.N.A	
..2	M0027	BN96-06935A	ASSY STAND P-BASE;32,L530,ABS+PMMA,HB,BK	1	S.A	
...3	T0081	6002-001294	SCREW-TAPPING;BH,+,,M4,L16,ZPC(BLK)	4	S.A	
...3	M0081	6003-001239	SCREW-TAPTITE;FH,+,-,B,M4,L10,ZPC(WHT),S	4	S.A	
...3		BN61-02232A	HOLDER-SWIVEL RING;32R71,ACETAL NATUAL,N	1	S.N.A	
...3		BN61-02233A	HOLDER-SWIVEL RING;32R71,ACETAL NATUAL,N	1	S.N.A	
...3		BN61-02236A	BRACKET-HINGE SWIVEL;BORDEAUX 32,SECC,T1	1	S.N.A	
...3		BN61-02942A	BRACKET-STAND BOTTOM;32,BORDEAUX PLUS,SE	1	S.N.A	
...3	T0920	BN61-03886A	GUIDE-STAND;GUIDE-STAND 32 L530,PC,BLK,G	1	S.N.A	
...3	CCM1	BN63-02183D	COVER-SHEET;Rhcm,PE Vinyl,T0.05,680mm,20	0.4	S.N.A	
...3	T0004	BN63-03102A	COVER-STAND BASE;32R81,ABS+PMMA,-,-,-,HB	1	S.N.A	
...3	M0126	BN73-00052C	RUBBER-FOOT;LCD TV,CR RUBBER,T2.0 DIA19,	4	S.N.A	

5. Exploded View & Part List

Level	Location No.	Code No.	Description & Specification	Q'ty	SA/SNA	Remark
0.1		BN91-01964A	ASSY LCD-AMLCD;LN32A550P1FX/*,LTF320HA01	1	S.N.A	
..2	M0215	BN07-00520A	LCD-PANEL;LTF320HA01	1	S.A	
0.1	M0017	BN91-02016E	ASSY CHASSIS;LE32A556P1FX/XC,AMLCD	1	S.N.A	
..2	M0014	BN94-01656E	ASSY PCB MAIN;LE40A556P1FXXC	1	S.A	
...3		0202-001557	SOLDER-CREAM;LST57-A,D38-63,42SN/57BI/1A	11	S.N.A	
...3	T0245	0202-001608	SOLDER-WIRE FLUX;LFC7-107,D0.8,99.3Sn/0.	1.25	S.N.A	
...3	JA3114_NSI	3701-001388	CONNECTOR-HDMI;20P,Phosphor Bronze,ANGLE	1	S.A	
...3	JA3208_OP	3701-001480	CONNECTOR-DSUB;15P,3R,FEMAIL,STAMPED PIN	1	S.A	
...3	CN906	3707-001081	CONNECTOR-OPTICAL;STRAIGHT,SPDIF	1	S.A	
...3	JA7201	3709-001508	CONNECTOR-CARD SLOT;68P,1.27mm,PIN,PCMCIA	1	S.A	
...3	CN330	3711-000058	HEADER-BOARD TO CABLE;BOX,4P,1R,2.5MM,AN	1	S.A	
...3	CN330	3711-004379	HEADER-BOARD TO CABLE;BOX,4P,1R,2mm,STRA	1	S.A	
...3	CN330	3711-004379	HEADER-BOARD TO CABLE;BOX,4P,1R,2mm,STRA	1	S.A	
...3	CN330	3711-004484	HEADER-BOARD TO CABLE;BOX,5P,1R,2mm,STRA	1	S.A	
...3	CN330	3711-004531	HEADER-BOARD TO CABLE;BOX,10P,1R,2mm,ANG	1	S.A	
...3	CN330	3711-004712	HEADER-BOARD TO CABLE;BOX,9P,1R,2mm,STRA	1	S.A	
...3	CN330	3711-005842	HEADER-BOARD TO CABLE;BOX,24P,2R,2MM,STR	1	S.A	
...3	JA330	3722-000143	JACK-PHONE;1P(VER),AG,BLK,ANGLE	1	S.A	
...3	JA330	3722-001061	JACK-PHONE;1P,3.6PI,AG,BLK,N	1	S.A	
...3	JA330	3722-001061	JACK-PHONE;1P,3.6PI,AG,BLK,N	1	S.A	
...3	CN3108_NSI	3722-002275	JACK-DIN;4P,-,SN,BLK,-	1	S.A	
...3	CN3111_NSI	3722-002546	JACK-USB;4P/1C,AU,BLK,ANGLE,A type	1	S.N.A	
...3	JA3202	3722-002681	JACK-SCART;42P,SN,BLK	1	S.A	
...3	JA333	3722-002690	JACK-PIN;3P,Ni,RED/WHT/YEL,ANGLE	1	S.A	
...3	CIS3	BN40-00120A	TUNER;TDHG6-K10A,TDHG6-K10A,DVB-T,181CH,	1	S.A	
...3	HDCP	BN97-00688B	ASSY HDCP;MT8202 IC HDCP Key'	1	S.N.A	
...4		BN46-00018A	KEY CODE-CERTIFICATE;(HDCP KEY)PPM42M5S,	1	S.N.A	
...3	T0174	BN97-02033E	ASSY SMD;LE32A556P1F/*,N46A	1	S.N.A	
...4	SUB05	0202-001477	SOLDER-CREAM;LST309-M,-,D20~45##,96.5Sn/	2.999	S.N.A	
...4	D1104	0401-001056	DIODE-SWITCHING;MMBD4148SE,100V,200mA,SO	1	S.A	
...4	D3101	0401-001056	DIODE-SWITCHING;MMBD4148SE,100V,200mA,SO	1	S.A	
...4	D3102	0401-001056	DIODE-SWITCHING;MMBD4148SE,100V,200mA,SO	1	S.A	
...4	D3103	0401-001056	DIODE-SWITCHING;MMBD4148SE,100V,200mA,SO	1	S.A	
...4	D3104	0401-001056	DIODE-SWITCHING;MMBD4148SE,100V,200mA,SO	1	S.A	
...4	D3105	0401-001056	DIODE-SWITCHING;MMBD4148SE,100V,200mA,SO	1	S.A	
...4	D3106	0401-001056	DIODE-SWITCHING;MMBD4148SE,100V,200mA,SO	1	S.A	
...4	D3108	0401-001056	DIODE-SWITCHING;MMBD4148SE,100V,200mA,SO	1	S.A	
...4	D3109	0401-001056	DIODE-SWITCHING;MMBD4148SE,100V,200mA,SO	1	S.A	
...4	D3144	0401-001056	DIODE-SWITCHING;MMBD4148SE,100V,200mA,SO	1	S.A	
...4	D3146	0401-001056	DIODE-SWITCHING;MMBD4148SE,100V,200mA,SO	1	S.A	
...4	D3147	0401-001056	DIODE-SWITCHING;MMBD4148SE,100V,200mA,SO	1	S.A	
...4	D3149	0401-001056	DIODE-SWITCHING;MMBD4148SE,100V,200mA,SO	1	S.A	
...4	D3150	0401-001056	DIODE-SWITCHING;MMBD4148SE,100V,200mA,SO	1	S.A	
...4	D3151	0401-001056	DIODE-SWITCHING;MMBD4148SE,100V,200mA,SO	1	S.A	
...4	D3152	0401-001056	DIODE-SWITCHING;MMBD4148SE,100V,200mA,SO	1	S.A	
...4	D3153	0401-001056	DIODE-SWITCHING;MMBD4148SE,100V,200mA,SO	1	S.A	
...4	D3154	0401-001056	DIODE-SWITCHING;MMBD4148SE,100V,200mA,SO	1	S.A	
...4	D3155	0401-001056	DIODE-SWITCHING;MMBD4148SE,100V,200mA,SO	1	S.A	
...4	D3158	0401-001056	DIODE-SWITCHING;MMBD4148SE,100V,200mA,SO	1	S.A	
...4	D3159	0401-001056	DIODE-SWITCHING;MMBD4148SE,100V,200mA,SO	1	S.A	

## 5. Exploded View &amp; Part List

Level	Location No.	Code No.	Description & Specification	Q'ty	SA/SNA	Remark
...4	D3161	0401-001056	DIODE-SWITCHING;MMBD4148SE,100V,200mA,SO	1	S.A	
...4	D3162	0401-001056	DIODE-SWITCHING;MMBD4148SE,100V,200mA,SO	1	S.A	
...4	D3163	0401-001056	DIODE-SWITCHING;MMBD4148SE,100V,200mA,SO	1	S.A	
...4	D3165	0401-001056	DIODE-SWITCHING;MMBD4148SE,100V,200mA,SO	1	S.A	
...4	D3166	0401-001056	DIODE-SWITCHING;MMBD4148SE,100V,200mA,SO	1	S.A	
...4	D3168	0401-001056	DIODE-SWITCHING;MMBD4148SE,100V,200mA,SO	1	S.A	
...4	D3170	0401-001056	DIODE-SWITCHING;MMBD4148SE,100V,200mA,SO	1	S.A	
...4	D3173	0401-001056	DIODE-SWITCHING;MMBD4148SE,100V,200mA,SO	1	S.A	
...4	D3195	0401-001056	DIODE-SWITCHING;MMBD4148SE,100V,200mA,SO	1	S.A	
...4	D3196	0401-001056	DIODE-SWITCHING;MMBD4148SE,100V,200mA,SO	1	S.A	
...4	D3197	0401-001056	DIODE-SWITCHING;MMBD4148SE,100V,200mA,SO	1	S.A	
...4	D3198	0401-001056	DIODE-SWITCHING;MMBD4148SE,100V,200mA,SO	1	S.A	
...4	D3200	0401-001056	DIODE-SWITCHING;MMBD4148SE,100V,200mA,SO	1	S.A	
...4	D3201	0401-001056	DIODE-SWITCHING;MMBD4148SE,100V,200mA,SO	1	S.A	
...4	D3202	0401-001056	DIODE-SWITCHING;MMBD4148SE,100V,200mA,SO	1	S.A	
...4	D3203	0401-001056	DIODE-SWITCHING;MMBD4148SE,100V,200mA,SO	1	S.A	
...4	D3204	0401-001056	DIODE-SWITCHING;MMBD4148SE,100V,200mA,SO	1	S.A	
...4	D3206	0401-001056	DIODE-SWITCHING;MMBD4148SE,100V,200mA,SO	1	S.A	
...4	D3207	0401-001056	DIODE-SWITCHING;MMBD4148SE,100V,200mA,SO	1	S.A	
...4	D3254	0401-001056	DIODE-SWITCHING;MMBD4148SE,100V,200mA,SO	1	S.A	
...4	D3255	0401-001056	DIODE-SWITCHING;MMBD4148SE,100V,200mA,SO	1	S.A	
...4	D3256	0401-001056	DIODE-SWITCHING;MMBD4148SE,100V,200mA,SO	1	S.A	
...4	D5501_CEC	0401-001056	DIODE-SWITCHING;MMBD4148SE,100V,200mA,SO	1	S.A	
...4	D2105	0401-001099	DIODE-SWITCHING;1N4148WS,75V,150mA,SOD-3	1	S.A	
...4	D2106	0401-001099	DIODE-SWITCHING;1N4148WS,75V,150mA,SOD-3	1	S.A	
...4	D2201	0401-001099	DIODE-SWITCHING;1N4148WS,75V,150mA,SOD-3	1	S.A	
...4	D3118	0401-001099	DIODE-SWITCHING;1N4148WS,75V,150mA,SOD-3	1	S.A	
...4	D3120	0401-001099	DIODE-SWITCHING;1N4148WS,75V,150mA,SOD-3	1	S.A	
...4	D3123	0401-001099	DIODE-SWITCHING;1N4148WS,75V,150mA,SOD-3	1	S.A	
...4	D5104	0401-001099	DIODE-SWITCHING;1N4148WS,75V,150mA,SOD-3	1	S.A	
...4	D5105	0401-001099	DIODE-SWITCHING;1N4148WS,75V,150mA,SOD-3	1	S.A	
...4	D5201	0401-001099	DIODE-SWITCHING;1N4148WS,75V,150mA,SOD-3	1	S.A	
...4	D0254	0402-000553	DIODE-SCHOTTKY;SS24/B240,40V,2000mA,DO-2	1	S.A	
...4	D0254	0402-000553	DIODE-SCHOTTKY;SS24/B240,40V,2000mA,DO-2	1	S.A	
...4	D5111	0403-000258	DIODE-ZENER;BZX84C5V6,5.2-6V,225mW,SOT-2	1	S.A	
...4	D5101	0403-000584	DIODE-ZENER;VLZ3V6B,3.6/3.845V,500mW,SOD	1	S.N.A	
...4	D3141	0403-000771	DIODE-ZENER;VLZ6V2B,5.96-6.27V,500mW,SOD	1	S.A	
...4	D3156	0403-000771	DIODE-ZENER;VLZ6V2B,5.96-6.27V,500mW,SOD	1	S.A	
...4	D3191	0403-000771	DIODE-ZENER;VLZ6V2B,5.96-6.27V,500mW,SOD	1	S.A	
...4	D3199	0403-001052	DIODE-ZENER;RD8.2MB,7.7-8.7V,200mW,SOT-2	1	S.A	
...4	D1111	0403-001425	DIODE-ZENER;BZX84C33,31-35V,350mW,SOT-23	1	S.A	
...4	D0254	0404-001404	DIODE-SCHOTTKY;BAT721C,40V,200mA,SOT-23,	1	S.A	
...4	D0254	0404-001404	DIODE-SCHOTTKY;BAT721C,40V,200mA,SOT-23,	1	S.A	
...4	D0254	0404-001404	DIODE-SCHOTTKY;BAT721C,40V,200mA,SOT-23,	1	S.A	
...4	D3119	0406-001172	DIODE-TVS;CDS3C30GTH,48/-/50V,SMD	1	S.A	
...4	D3122	0406-001172	DIODE-TVS;CDS3C30GTH,48/-/50V,SMD	1	S.A	
...4	D3138	0406-001172	DIODE-TVS;CDS3C30GTH,48/-/50V,SMD	1	S.A	
...4	D3139	0406-001172	DIODE-TVS;CDS3C30GTH,48/-/50V,SMD	1	S.A	
...4	D3179	0406-001172	DIODE-TVS;CDS3C30GTH,48/-/50V,SMD	1	S.A	
...4	D3180	0406-001172	DIODE-TVS;CDS3C30GTH,48/-/50V,SMD	1	S.A	
...4	D3182_NSID	0406-001172	DIODE-TVS;CDS3C30GTH,48/-/50V,SMD	1	S.A	

5. Exploded View & Part List

Level	Location No.	Code No.	Description & Specification	Q'ty	SA/SNA	Remark
...4	D3183_NSID	0406-001172	DIODE-TVS;CDS3C30GTH,48/-/50V,SMD	1	S.A	
...4	D3184_NSID	0406-001172	DIODE-TVS;CDS3C30GTH,48/-/50V,SMD	1	S.A	
...4	D3185_NSID	0406-001172	DIODE-TVS;CDS3C30GTH,48/-/50V,SMD	1	S.A	
...4	D3188_NSID	0406-001172	DIODE-TVS;CDS3C30GTH,48/-/50V,SMD	1	S.A	
...4	D3189_NSID	0406-001172	DIODE-TVS;CDS3C30GTH,48/-/50V,SMD	1	S.A	
...4	D3190_NSID	0406-001172	DIODE-TVS;CDS3C30GTH,48/-/50V,SMD	1	S.A	
...4	D3251	0406-001172	DIODE-TVS;CDS3C30GTH,48/-/50V,SMD	1	S.A	
...4	D3252	0406-001172	DIODE-TVS;CDS3C30GTH,48/-/50V,SMD	1	S.A	
...4	D3208	0406-001181	DIODE-TVS;NUP4201MR6,6/-/V,500W,TSOP-6	1	S.A	
...4	D2104	0407-000123	DIODE-ARRAY;DAN202K,80V,100mA,CA2-3,SOT-	1	S.A	
...4	D2108	0407-000123	DIODE-ARRAY;DAN202K,80V,100mA,CA2-3,SOT-	1	S.A	
...4	D2110	0407-000123	DIODE-ARRAY;DAN202K,80V,100mA,CA2-3,SOT-	1	S.A	
...4	D7201	0407-000123	DIODE-ARRAY;DAN202K,80V,100mA,CA2-3,SOT-	1	S.A	
...4	D7202	0407-000123	DIODE-ARRAY;DAN202K,80V,100mA,CA2-3,SOT-	1	S.A	
...4	D7203	0407-000123	DIODE-ARRAY;DAN202K,80V,100mA,CA2-3,SOT-	1	S.A	
...4	D7204	0407-000123	DIODE-ARRAY;DAN202K,80V,100mA,CA2-3,SOT-	1	S.A	
...4	D7205	0407-000123	DIODE-ARRAY;DAN202K,80V,100mA,CA2-3,SOT-	1	S.A	
...4	D7206	0407-000123	DIODE-ARRAY;DAN202K,80V,100mA,CA2-3,SOT-	1	S.A	
...4	Q7001	0501-000002	TR-SMALL SIGNAL;KSA812,PNP,150MW,SOT-23,	1	S.A	
...4	Q7002	0501-000002	TR-SMALL SIGNAL;KSA812,PNP,150MW,SOT-23,	1	S.A	
...4	Q5201	0501-000434	TR-SMALL SIGNAL;KTC3875S-GR,NPN,150mW,SO	1	S.A	
...4	Q7402	0501-000434	TR-SMALL SIGNAL;KTC3875S-GR,NPN,150mW,SO	1	S.A	
...4	Q1104	0501-000445	TR-SMALL SIGNAL;KTC3875S-Y,NPN,150mW,SOT	1	S.A	
...4	Q1111	0501-000445	TR-SMALL SIGNAL;KTC3875S-Y,NPN,150mW,SOT	1	S.A	
...4	Q2102	0501-000445	TR-SMALL SIGNAL;KTC3875S-Y,NPN,150mW,SOT	1	S.A	
...4	Q3101	0501-000445	TR-SMALL SIGNAL;KTC3875S-Y,NPN,150mW,SOT	1	S.A	
...4	Q3102	0501-000445	TR-SMALL SIGNAL;KTC3875S-Y,NPN,150mW,SOT	1	S.A	
...4	Q3106	0501-000445	TR-SMALL SIGNAL;KTC3875S-Y,NPN,150mW,SOT	1	S.A	
...4	Q3107	0501-000445	TR-SMALL SIGNAL;KTC3875S-Y,NPN,150mW,SOT	1	S.A	
...4	Q3111	0501-000445	TR-SMALL SIGNAL;KTC3875S-Y,NPN,150mW,SOT	1	S.A	
...4	Q3112	0501-000445	TR-SMALL SIGNAL;KTC3875S-Y,NPN,150mW,SOT	1	S.A	
...4	Q3113	0501-000445	TR-SMALL SIGNAL;KTC3875S-Y,NPN,150mW,SOT	1	S.A	
...4	Q3114	0501-000445	TR-SMALL SIGNAL;KTC3875S-Y,NPN,150mW,SOT	1	S.A	
...4	Q3151_NPN	0501-000445	TR-SMALL SIGNAL;KTC3875S-Y,NPN,150mW,SOT	1	S.A	
...4	Q3152_NPN	0501-000445	TR-SMALL SIGNAL;KTC3875S-Y,NPN,150mW,SOT	1	S.A	
...4	Q5104	0501-000445	TR-SMALL SIGNAL;KTC3875S-Y,NPN,150mW,SOT	1	S.A	
...4	Q5108	0501-000445	TR-SMALL SIGNAL;KTC3875S-Y,NPN,150mW,SOT	1	S.A	
...4	Q5109	0501-000445	TR-SMALL SIGNAL;KTC3875S-Y,NPN,150mW,SOT	1	S.A	
...4	Q5202	0501-000445	TR-SMALL SIGNAL;KTC3875S-Y,NPN,150mW,SOT	1	S.A	
...4	Q6101_DIM	0501-000445	TR-SMALL SIGNAL;KTC3875S-Y,NPN,150mW,SOT	1	S.A	
...4	Q2101	0501-000669	TR-SMALL SIGNAL;KTA1505Y,PNP,150mW,SOT-2	1	S.A	
...4	Q2103	0501-000669	TR-SMALL SIGNAL;KTA1505Y,PNP,150mW,SOT-2	1	S.A	
...4	Q3104	0501-000669	TR-SMALL SIGNAL;KTA1505Y,PNP,150mW,SOT-2	1	S.A	
...4	Q3109	0501-000669	TR-SMALL SIGNAL;KTA1505Y,PNP,150mW,SOT-2	1	S.A	
...4	Q1101_L	0501-002080	TR-SMALL SIGNAL;2SC2412K,NPN,200mW,SC-59	1	S.A	
...4	Q1102_50HZ	0501-002080	TR-SMALL SIGNAL;2SC2412K,NPN,200mW,SC-59	1	S.A	
...4	Q3103	0501-002080	TR-SMALL SIGNAL;2SC2412K,NPN,200mW,SC-59	1	S.A	
...4	Q3105	0501-002080	TR-SMALL SIGNAL;2SC2412K,NPN,200mW,SC-59	1	S.A	
...4	Q3108	0501-002080	TR-SMALL SIGNAL;2SC2412K,NPN,200mW,SC-59	1	S.A	
...4	Q3110	0501-002080	TR-SMALL SIGNAL;2SC2412K,NPN,200mW,SC-59	1	S.A	
...4	Q3153_NPN	0501-002080	TR-SMALL SIGNAL;2SC2412K,NPN,200mW,SC-59	1	S.A	

## 5. Exploded View &amp; Part List

Level	Location No.	Code No.	Description & Specification	Q'ty	SA/SNA	Remark
....4	Q3116	0501-002184	TR-SMALL SIGNAL;KTD1304,NPN,200mW,SOT-23	1	S.A	
....4	Q3117	0501-002184	TR-SMALL SIGNAL;KTD1304,NPN,200mW,SOT-23	1	S.A	
....4	Q409	0505-000110	FET-SILICON;2N7002,N,60V,115mA,7.5ohm,0.	1	S.A	
....4	Q409	0505-000110	FET-SILICON;2N7002,N,60V,115mA,7.5ohm,0.	1	S.A	
....4	Q409	0505-000110	FET-SILICON;2N7002,N,60V,115mA,7.5ohm,0.	1	S.A	
....4	Q409	0505-000110	FET-SILICON;2N7002,N,60V,115mA,7.5ohm,0.	1	S.A	
....4	Q409	0505-000110	FET-SILICON;2N7002,N,60V,115mA,7.5ohm,0.	1	S.A	
....4	Q409	0505-001170	FET-SILICON;SI9933ADY-T1,P,-20V,3.4A,0.0	1	S.A	
....4	IC104	0801-002095	IC-CMOS LOGIC;74LCX245,TRANSCEIVER,TSSOP	1	S.A	
....4	IC104	0801-002172	IC-CMOS LOGIC;74LCX16244,BUFFER/LINE DRI	1	S.A	
....4	IC104	0801-002172	IC-CMOS LOGIC;74LCX16244,BUFFER/LINE DRI	1	S.A	
....4	IC104	0801-002172	IC-CMOS LOGIC;74LCX16244,BUFFER/LINE DRI	1	S.A	
....4	IC104	0801-002432	IC-CMOS LOGIC;74LVC244,8BIT BUFFER/DRIVE	1	S.N.A	
....4	IC104	0801-002630	IC-CMOS LOGIC;74AHCT1G08,2-INPUT AND GAT	1	S.A	
....4	IC104	0801-003239	IC-CMOS LOGIC;74LVC1G00,2-input NAND Gat	1	S.A	
....4	IC104	0801-003239	IC-CMOS LOGIC;74LVC1G00,2-input NAND Gat	1	S.A	
....4	IC5110	1001-000164	IC-ANALOG MULTIPLEX;74HC4052,CMOS,SOP,16	1	S.A	
....4	IC106	1001-001513	IC-VIDEO SWITCH;TMDS351PAG,TQFP,64P,9x9m	1	S.A	
....4	IC5108	1001-001523	IC-ANALOG MULTIPLEX;74HC4052PW,TSSOP,16P	1	S.A	
....4	IC107	1002-001482	IC-D/A CONVERTER;WM8521H9GED/R,16bit,SOI	1	S.A	
....4	IC2102	1002-001509	IC-A/D&D/A CONVERTER;MT8291,24bit,LQFP,4	1	S.A	
....4	IC110	1006-001076	IC-DRIVER/RECEIVER;MAX232ECWE+T,SOP,16P,	1	S.A	
....4	IC112	1103-000129	IC-EEPROM;24C02,2Kbit,256x8Bit,SOP,8P,5x	1	S.A	
....4	IC112	1103-000129	IC-EEPROM;24C02,2Kbit,256x8Bit,SOP,8P,5x	1	S.A	
....4	IC112	1103-000129	IC-EEPROM;24C02,2Kbit,256x8Bit,SOP,8P,5x	1	S.A	
....4	IC112	1103-000129	IC-EEPROM;24C02,2Kbit,256x8Bit,SOP,8P,5x	1	S.A	
....4	IC112	1103-001385	IC-EEPROM;AT24C256,256Kbit,32Kx8,SOP,8P,	1	S.A	
....4	IC112	1103-001410	IC-EEPROM;S-24CS08AFJ-TB-1GE,8Kbit,1Kx8,	1	S.A	
....4	IC113	1105-001712	IC-DRAM;HYB25D256163CE,DDR,256Mbit,16Mx1	1	S.A	
....4	IC5104	1105-001862	IC-DDR2 SDRAM;K4T56163QI-ZCF7,DDR2 SDRAM	1	S.A	
....4	IC5106	1105-001862	IC-DDR2 SDRAM;K4T56163QI-ZCF7,DDR2 SDRAM	1	S.A	
....4	DU410	1201-000166	IC-OP AMP;LM358,SOP,ST,8P,150MIL,DUAL,10	1	S.A	
....4	T0124	1201-002677	IC-POWER AMP;NTP3100,QFN56,56P,8x8mm,DUA	1	S.A	
....4	T0087	1203-001815	IC-POSI.FIXED REG.;78M09,TO-252,3P,-,PLA	1	S.A	
....4	T0087	1203-002842	IC-POSI.FIXED REG.;AP1117D-33A,TO-252,3P	1	S.A	
....4	T0087	1203-002974	IC-POSI.FIXED REG.;AP1117D-25A,TO-252,3P	1	S.A	
....4	IC012	1203-002995	IC-POSI.ADJUST REG.;AP1117D-A,TO-252,3P,	1	S.A	
....4	IC012	1203-002995	IC-POSI.ADJUST REG.;AP1117D-A,TO-252,3P,	1	S.A	
....4	IC3104	1203-003394	IC-POWER SUPERVISOR;MIC2544-1YM,SOP,8P,4	1	S.A	
....4	IC7206	1203-003394	IC-POWER SUPERVISOR;MIC2544-1YM,SOP,8P,4	1	S.A	
....4	T0087	1203-003696	IC-POSI.FIXED REG.;NCP1117DT18T5G,DPAK,3	1	S.A	
....4	T0087	1203-003696	IC-POSI.FIXED REG.;NCP1117DT18T5G,DPAK,3	1	S.A	
....4	IC5102	1203-004363	IC-VOL. DETECTOR;RT9818C-29PV,SOT-23,3P,	1	S.A	
....4	IC2103	1203-004364	IC-VOL. DETECTOR;RT9818C-42PV,SOT-23,3P,	1	S.A	
....4	IC7402	1203-004364	IC-VOL. DETECTOR;RT9818C-42PV,SOT-23,3P,	1	S.A	
....4	T0087	1203-004816	IC-POSI.FIXED REG.;KIA78D015F,DPAK,3P,6.	1	S.A	
....4	T0170	1203-004868	IC-SWITCH VOL. REG.;MP2363,SOIC,8P,4.9x3	1	S.A	
....4	T0170	1203-004868	IC-SWITCH VOL. REG.;MP2363,SOIC,8P,4.9x3	1	S.A	
....4	IC012	1203-005218	IC-POSI.ADJUST REG.;AP1086DL,TO-252,3P,6	1	S.A	
....4	IC118	1204-002779	IC-VIDEO PROCESS;S4LF122X01,PBGA,208P,17	1	S.A	
....4	IC7001	1204-002861	IC-DECODER;UPD61211GM-104-GAA-A,QFP,216P	1	S.A	

5. Exploded View & Part List

Level	Location No.	Code No.	Description & Specification	Q'ty	SA/SNA	Remark
...4	IC118	1204-002869	IC-VIDEO PROCESS;MT8226FJ,BGA,569P,31x31	1	S.A	
...4	D3107	1405-001185	VARISTOR;24Vdc,1.6x0.8x0.36mm,TP	1	S.A	
...4	D3110	1405-001185	VARISTOR;24Vdc,1.6x0.8x0.36mm,TP	1	S.A	
...4	D3113	1405-001185	VARISTOR;24Vdc,1.6x0.8x0.36mm,TP	1	S.A	
...4	D5502	1405-001185	VARISTOR;24Vdc,1.6x0.8x0.36mm,TP	1	S.A	
...4	R110	2007-000029	R-CHIP;0ohm,5%,1/8W,TP,2012	1	S.A	
...4	R110	2007-000029	R-CHIP;0ohm,5%,1/8W,TP,2012	1	S.A	
...4	R110	2007-000040	R-CHIP;150ohm,1%,1/10W,TP,1608	1	S.A	
...4	R110	2007-000052	R-CHIP;10Kohm,1%,1/10W,TP,1608	1	S.A	
...4	R110	2007-000052	R-CHIP;10Kohm,1%,1/10W,TP,1608	1	S.A	
...4	R110	2007-000052	R-CHIP;10Kohm,1%,1/10W,TP,1608	1	S.A	
...4	R110	2007-000052	R-CHIP;10Kohm,1%,1/10W,TP,1608	1	S.A	
...4	R110	2007-000052	R-CHIP;10Kohm,1%,1/10W,TP,1608	1	S.A	
...4	R110	2007-000052	R-CHIP;10Kohm,1%,1/10W,TP,1608	1	S.A	
...4	R110	2007-000052	R-CHIP;10Kohm,1%,1/10W,TP,1608	1	S.A	
...4	R110	2007-000052	R-CHIP;10Kohm,1%,1/10W,TP,1608	1	S.A	
...4	R110	2007-000052	R-CHIP;10Kohm,1%,1/10W,TP,1608	1	S.A	
...4	R110	2007-000052	R-CHIP;10Kohm,1%,1/10W,TP,1608	1	S.A	
...4	R110	2007-000052	R-CHIP;10Kohm,1%,1/10W,TP,1608	1	S.A	
...4	R110	2007-000052	R-CHIP;10Kohm,1%,1/10W,TP,1608	1	S.A	
...4	R110	2007-000052	R-CHIP;10Kohm,1%,1/10W,TP,1608	1	S.A	
...4	R110	2007-000067	R-CHIP;15Kohm,1%,1/10W,TP,1608	1	S.A	
...4	R110	2007-000074	R-CHIP;100ohm,5%,1/10W,TP,1608	1	S.A	
...4	R110	2007-000074	R-CHIP;100ohm,5%,1/10W,TP,1608	1	S.A	
...4	R110	2007-000074	R-CHIP;100ohm,5%,1/10W,TP,1608	1	S.A	
...4	R110	2007-000074	R-CHIP;100ohm,5%,1/10W,TP,1608	1	S.A	
...4	R110	2007-000074	R-CHIP;100ohm,5%,1/10W,TP,1608	1	S.A	
...4	R110	2007-000078	R-CHIP;1Kohm,5%,1/10W,TP,1608	1	S.A	
...4	R110	2007-000078	R-CHIP;1Kohm,5%,1/10W,TP,1608	1	S.A	
...4	R110	2007-000078	R-CHIP;1Kohm,5%,1/10W,TP,1608	1	S.A	
...4	R110	2007-000078	R-CHIP;1Kohm,5%,1/10W,TP,1608	1	S.A	
...4	R110	2007-000078	R-CHIP;1Kohm,5%,1/10W,TP,1608	1	S.A	
...4	R110	2007-000078	R-CHIP;1Kohm,5%,1/10W,TP,1608	1	S.A	
...4	R110	2007-000078	R-CHIP;1Kohm,5%,1/10W,TP,1608	1	S.A	
...4	R110	2007-000078	R-CHIP;1Kohm,5%,1/10W,TP,1608	1	S.A	
...4	R110	2007-000078	R-CHIP;1Kohm,5%,1/10W,TP,1608	1	S.A	
...4	R110	2007-000078	R-CHIP;1Kohm,5%,1/10W,TP,1608	1	S.A	
...4	R110	2007-000078	R-CHIP;1Kohm,5%,1/10W,TP,1608	1	S.A	
...4	R110	2007-000078	R-CHIP;1Kohm,5%,1/10W,TP,1608	1	S.A	
...4	R110	2007-000078	R-CHIP;1Kohm,5%,1/10W,TP,1608	1	S.A	
...4	R110	2007-000078	R-CHIP;1Kohm,5%,1/10W,TP,1608	1	S.A	
...4	R110	2007-000078	R-CHIP;1Kohm,5%,1/10W,TP,1608	1	S.A	
...4	R110	2007-000078	R-CHIP;1Kohm,5%,1/10W,TP,1608	1	S.A	
...4	R110	2007-000078	R-CHIP;1Kohm,5%,1/10W,TP,1608	1	S.A	
...4	R110	2007-000078	R-CHIP;1Kohm,5%,1/10W,TP,1608	1	S.A	
...4	R110	2007-000078	R-CHIP;1Kohm,5%,1/10W,TP,1608	1	S.A	
...4	R110	2007-000078	R-CHIP;1Kohm,5%,1/10W,TP,1608	1	S.A	
...4	R110	2007-000078	R-CHIP;1Kohm,5%,1/10W,TP,1608	1	S.A	























5. Exploded View & Part List

Level	Location No.	Code No.	Description & Specification	Q'ty	SA/SNA	Remark
...4	R110	2007-001292	R-CHIP;33ohm,5%,1/16W,TP,1005	1	S.N.A	
...4	R110	2007-001292	R-CHIP;33ohm,5%,1/16W,TP,1005	1	S.N.A	
...4	R110	2007-001292	R-CHIP;33ohm,5%,1/16W,TP,1005	1	S.N.A	
...4	R110	2007-001292	R-CHIP;33ohm,5%,1/16W,TP,1005	1	S.N.A	
...4	R110	2007-001292	R-CHIP;33ohm,5%,1/16W,TP,1005	1	S.N.A	
...4	R110	2007-001292	R-CHIP;33ohm,5%,1/16W,TP,1005	1	S.N.A	
...4	R110	2007-001292	R-CHIP;33ohm,5%,1/16W,TP,1005	1	S.N.A	
...4	R110	2007-001292	R-CHIP;33ohm,5%,1/16W,TP,1005	1	S.N.A	
...4	R110	2007-001292	R-CHIP;33ohm,5%,1/16W,TP,1005	1	S.N.A	
...4	R110	2007-001292	R-CHIP;33ohm,5%,1/16W,TP,1005	1	S.N.A	
...4	R110	2007-001313	R-CHIP;330ohm,5%,1/16W,TP,1005	1	S.N.A	
...4	R110	2007-001313	R-CHIP;330ohm,5%,1/16W,TP,1005	1	S.N.A	
...4	R110	2007-001313	R-CHIP;330ohm,5%,1/16W,TP,1005	1	S.N.A	
...4	R110	2007-001313	R-CHIP;330ohm,5%,1/16W,TP,1005	1	S.N.A	
...4	R110	2007-001325	R-CHIP;3.3Kohm,5%,1/16W,TP,1005	1	S.N.A	
...4	R110	2007-001325	R-CHIP;3.3Kohm,5%,1/16W,TP,1005	1	S.N.A	
...4	R110	2007-001325	R-CHIP;3.3Kohm,5%,1/16W,TP,1005	1	S.N.A	
...4	R110	2007-001325	R-CHIP;3.3Kohm,5%,1/16W,TP,1005	1	S.N.A	
...4	R110	2007-007096	R-CHIP;160ohm,5%,1/16W,TP,1005	1	S.N.A	
...4	R110	2007-007226	R-CHIP;49.9ohm,1%,1/10W,TP,1608	1	S.A	
...4	R110	2007-007297	R-CHIP;110ohm,1%,1/10W,TP,1608	1	S.A	
...4	R110	2007-007297	R-CHIP;110ohm,1%,1/10W,TP,1608	1	S.A	
...4	R110	2007-007306	R-CHIP;100ohm,1%,1/16W,TP,1005	1	S.N.A	
...4	R110	2007-007306	R-CHIP;100ohm,1%,1/16W,TP,1005	1	S.N.A	
...4	R110	2007-007306	R-CHIP;100ohm,1%,1/16W,TP,1005	1	S.N.A	
...4	R110	2007-007306	R-CHIP;100ohm,1%,1/16W,TP,1005	1	S.N.A	
...4	R110	2007-007306	R-CHIP;100ohm,1%,1/16W,TP,1005	1	S.N.A	
...4	R110	2007-007306	R-CHIP;100ohm,1%,1/16W,TP,1005	1	S.N.A	
...4	R110	2007-007306	R-CHIP;100ohm,1%,1/16W,TP,1005	1	S.N.A	
...4	R110	2007-007306	R-CHIP;100ohm,1%,1/16W,TP,1005	1	S.N.A	
...4	R110	2007-007306	R-CHIP;100ohm,1%,1/16W,TP,1005	1	S.N.A	
...4	R110	2007-007318	R-CHIP;1Kohm,1%,1/16W,TP,1005	1	S.N.A	
...4	R110	2007-007318	R-CHIP;1Kohm,1%,1/16W,TP,1005	1	S.N.A	
...4	R110	2007-007318	R-CHIP;1Kohm,1%,1/16W,TP,1005	1	S.N.A	
...4	R110	2007-007698	R-CHIP;5.1Kohm,1%,1/16W,TP,1005	1	S.N.A	
...4	R110	2007-007723	R-CHIP;75Kohm,1%,1/10W,TP,1608	1	S.A	
...4	RA5104	2011-000585	R-NETWORK;47ohm,5%,1/16W,L,CHIP,8P,TP,3.	1	S.A	
...4	RA5105	2011-000585	R-NETWORK;47ohm,5%,1/16W,L,CHIP,8P,TP,3.	1	S.A	
...4	RA5106	2011-000585	R-NETWORK;47ohm,5%,1/16W,L,CHIP,8P,TP,3.	1	S.A	
...4	RA5107	2011-000585	R-NETWORK;47ohm,5%,1/16W,L,CHIP,8P,TP,3.	1	S.A	
...4	RA5108	2011-000585	R-NETWORK;47ohm,5%,1/16W,L,CHIP,8P,TP,3.	1	S.A	
...4	RA5109	2011-000585	R-NETWORK;47ohm,5%,1/16W,L,CHIP,8P,TP,3.	1	S.A	
...4	RA3101	2011-000651	R-NETWORK;10ohm,5%,1/16W,L,CHIP,8P,TP,32	1	S.A	
...4	RA3102	2011-000651	R-NETWORK;10ohm,5%,1/16W,L,CHIP,8P,TP,32	1	S.A	
...4	RA3103	2011-000651	R-NETWORK;10ohm,5%,1/16W,L,CHIP,8P,TP,32	1	S.A	
...4	RA3104	2011-000651	R-NETWORK;10ohm,5%,1/16W,L,CHIP,8P,TP,32	1	S.A	
...4	RA3109	2011-000651	R-NETWORK;10ohm,5%,1/16W,L,CHIP,8P,TP,32	1	S.A	
...4	RA3110	2011-000651	R-NETWORK;10ohm,5%,1/16W,L,CHIP,8P,TP,32	1	S.A	
...4	RA3111	2011-000651	R-NETWORK;10ohm,5%,1/16W,L,CHIP,8P,TP,32	1	S.A	
...4	RA3112	2011-000651	R-NETWORK;10ohm,5%,1/16W,L,CHIP,8P,TP,32	1	S.A	
...4	RA3117	2011-000651	R-NETWORK;10ohm,5%,1/16W,L,CHIP,8P,TP,32	1	S.A	

## 5. Exploded View &amp; Part List

Level	Location No.	Code No.	Description & Specification	Q'ty	SA/SNA	Remark
...4	RA3118	2011-000651	R-NETWORK;10ohm,5%,1/16W,L,CHIP,8P,TP,32	1	S.A	
...4	RA5101	2011-000816	R-NETWORK;100ohm,5%,1/16W,L,CHIP,8P,TP,3	1	S.A	
...4	RA7104	2011-000816	R-NETWORK;100ohm,5%,1/16W,L,CHIP,8P,TP,3	1	S.A	
...4	RA2101	2011-000881	R-NETWORK;33ohm,5%,1/16W,L,CHIP,8P,TP,3.	1	S.A	
...4	RA3115	2011-000881	R-NETWORK;33ohm,5%,1/16W,L,CHIP,8P,TP,3.	1	S.A	
...4	RA3116	2011-000881	R-NETWORK;33ohm,5%,1/16W,L,CHIP,8P,TP,3.	1	S.A	
...4	RA5102	2011-000881	R-NETWORK;33ohm,5%,1/16W,L,CHIP,8P,TP,3.	1	S.A	
...4	RA5103	2011-000881	R-NETWORK;33ohm,5%,1/16W,L,CHIP,8P,TP,3.	1	S.A	
...4	RA7103	2011-000881	R-NETWORK;33ohm,5%,1/16W,L,CHIP,8P,TP,3.	1	S.A	
...4	RA7105	2011-000881	R-NETWORK;33ohm,5%,1/16W,L,CHIP,8P,TP,3.	1	S.A	
...4	RA7107	2011-000881	R-NETWORK;33ohm,5%,1/16W,L,CHIP,8P,TP,3.	1	S.A	
...4	RA7108	2011-000881	R-NETWORK;33ohm,5%,1/16W,L,CHIP,8P,TP,3.	1	S.A	
...4	RA7203	2011-000881	R-NETWORK;33ohm,5%,1/16W,L,CHIP,8P,TP,3.	1	S.A	
...4	RA7204	2011-000881	R-NETWORK;33ohm,5%,1/16W,L,CHIP,8P,TP,3.	1	S.A	
...4	R3337_NSID	2011-001001	R-NETWORK;0ohm,5%,1/16W,L,CHIP,8P,TP,3.2	1	S.A	
...4	R3338_NSID	2011-001001	R-NETWORK;0ohm,5%,1/16W,L,CHIP,8P,TP,3.2	1	S.A	
...4	R3339_NSID	2011-001001	R-NETWORK;0ohm,5%,1/16W,L,CHIP,8P,TP,3.2	1	S.A	
...4	RA5243	2011-001001	R-NETWORK;0ohm,5%,1/16W,L,CHIP,8P,TP,3.2	1	S.A	
...4	RA5244	2011-001001	R-NETWORK;0ohm,5%,1/16W,L,CHIP,8P,TP,3.2	1	S.A	
...4	RA5245	2011-001001	R-NETWORK;0ohm,5%,1/16W,L,CHIP,8P,TP,3.2	1	S.A	
...4	RA5246	2011-001001	R-NETWORK;0ohm,5%,1/16W,L,CHIP,8P,TP,3.2	1	S.A	
...4	RA5247	2011-001001	R-NETWORK;0ohm,5%,1/16W,L,CHIP,8P,TP,3.2	1	S.A	
...4	RA6101	2011-001001	R-NETWORK;0ohm,5%,1/16W,L,CHIP,8P,TP,3.2	1	S.A	
...4	RA6169	2011-001001	R-NETWORK;0ohm,5%,1/16W,L,CHIP,8P,TP,3.2	1	S.A	
...4	RA6170	2011-001001	R-NETWORK;0ohm,5%,1/16W,L,CHIP,8P,TP,3.2	1	S.A	
...4	RA6172	2011-001001	R-NETWORK;0ohm,5%,1/16W,L,CHIP,8P,TP,3.2	1	S.A	
...4	RA6173	2011-001001	R-NETWORK;0ohm,5%,1/16W,L,CHIP,8P,TP,3.2	1	S.A	
...4	RA7009	2011-001011	R-NETWORK;10Kohm,5%,1/16W,L,CHIP,8P,TP,3	1	S.A	
...4	RA7010	2011-001011	R-NETWORK;10Kohm,5%,1/16W,L,CHIP,8P,TP,3	1	S.A	
...4	RA7011	2011-001011	R-NETWORK;10Kohm,5%,1/16W,L,CHIP,8P,TP,3	1	S.A	
...4	RA7012	2011-001011	R-NETWORK;10Kohm,5%,1/16W,L,CHIP,8P,TP,3	1	S.A	
...4	RA7209	2011-001011	R-NETWORK;10Kohm,5%,1/16W,L,CHIP,8P,TP,3	1	S.A	
...4	RA7001	2011-001087	R-NETWORK;75ohm,5%,1/16W,L,CHIP,8P,TP,3.	1	S.A	
...4	RA7002	2011-001087	R-NETWORK;75ohm,5%,1/16W,L,CHIP,8P,TP,3.	1	S.A	
...4	RA7003	2011-001087	R-NETWORK;75ohm,5%,1/16W,L,CHIP,8P,TP,3.	1	S.A	
...4	RA7004	2011-001087	R-NETWORK;75ohm,5%,1/16W,L,CHIP,8P,TP,3.	1	S.A	
...4	RA7005	2011-001087	R-NETWORK;75ohm,5%,1/16W,L,CHIP,8P,TP,3.	1	S.A	
...4	RA7006	2011-001087	R-NETWORK;75ohm,5%,1/16W,L,CHIP,8P,TP,3.	1	S.A	
...4	RA7007	2011-001087	R-NETWORK;75ohm,5%,1/16W,L,CHIP,8P,TP,3.	1	S.A	
...4	RA7008	2011-001087	R-NETWORK;75ohm,5%,1/16W,L,CHIP,8P,TP,3.	1	S.A	
...4	RA7101	2011-001087	R-NETWORK;75ohm,5%,1/16W,L,CHIP,8P,TP,3.	1	S.A	
...4	RA7205	2011-001087	R-NETWORK;75ohm,5%,1/16W,L,CHIP,8P,TP,3.	1	S.A	
...4	RA7210	2011-001087	R-NETWORK;75ohm,5%,1/16W,L,CHIP,8P,TP,3.	1	S.A	
...4	RA2102	2011-001093	R-NETWORK;100ohm,5%,1/16W,L,CHIP,8P,TP,3	1	S.A	
...4	RA2103	2011-001093	R-NETWORK;100ohm,5%,1/16W,L,CHIP,8P,TP,3	1	S.A	
...4	RA7201	2011-001093	R-NETWORK;100ohm,5%,1/16W,L,CHIP,8P,TP,3	1	S.A	
...4	RA7202	2011-001093	R-NETWORK;100ohm,5%,1/16W,L,CHIP,8P,TP,3	1	S.A	
...4	C120	2203-000206	C-CER,CHIP;100nF,10%,50V,X7R,2012	1	S.A	
...4	C120	2203-000233	C-CER,CHIP;0.1nF,5%,50V,C0G,1005	1	S.A	
...4	C120	2203-000233	C-CER,CHIP;0.1nF,5%,50V,C0G,1005	1	S.A	
...4	C120	2203-000233	C-CER,CHIP;0.1nF,5%,50V,C0G,1005	1	S.A	







Level	Location No.	Code No.	Description & Specification	Q'ty	SA/SNA	Remark
...4	C120	2203-002687	C-CER,CHIP;1.2nF,10%,50V,X7R,TP,1005	1	S.A	
...4	C120	2203-002687	C-CER,CHIP;1.2nF,10%,50V,X7R,TP,1005	1	S.A	
...4	C120	2203-002687	C-CER,CHIP;1.2nF,10%,50V,X7R,TP,1005	1	S.A	
...4	C120	2203-002687	C-CER,CHIP;1.2nF,10%,50V,X7R,TP,1005	1	S.A	
...4	C120	2203-005249	C-CER,CHIP;100nF,10%,50V,X7R,1608	1	S.A	
...4	C120	2203-005249	C-CER,CHIP;100nF,10%,50V,X7R,1608	1	S.A	
...4	C120	2203-005249	C-CER,CHIP;100nF,10%,50V,X7R,1608	1	S.A	
...4	C120	2203-005249	C-CER,CHIP;100nF,10%,50V,X7R,1608	1	S.A	
...4	C120	2203-005249	C-CER,CHIP;100nF,10%,50V,X7R,1608	1	S.A	
...4	C120	2203-005249	C-CER,CHIP;100nF,10%,50V,X7R,1608	1	S.A	
...4	C120	2203-005249	C-CER,CHIP;100nF,10%,50V,X7R,1608	1	S.A	
...4	C120	2203-005249	C-CER,CHIP;100nF,10%,50V,X7R,1608	1	S.A	
...4	C120	2203-005249	C-CER,CHIP;100nF,10%,50V,X7R,1608	1	S.A	
...4	C120	2203-005249	C-CER,CHIP;100nF,10%,50V,X7R,1608	1	S.A	
...4	C120	2203-005249	C-CER,CHIP;100nF,10%,50V,X7R,1608	1	S.A	
...4	C120	2203-005249	C-CER,CHIP;100nF,10%,50V,X7R,1608	1	S.A	
...4	C120	2203-005249	C-CER,CHIP;100nF,10%,50V,X7R,1608	1	S.A	
...4	C120	2203-005249	C-CER,CHIP;100nF,10%,50V,X7R,1608	1	S.A	
...4	C120	2203-005393	C-CER,CHIP;0.005nF,0.1pF,50V,NP0,TP,1005	1	S.N.A	
...4	C120	2203-005393	C-CER,CHIP;0.005nF,0.1pF,50V,NP0,TP,1005	1	S.N.A	
...4	C120	2203-005437	C-CER,CHIP;10000nF,+80-20%,10V,Y5V,3216	1	S.A	
...4	C120	2203-005437	C-CER,CHIP;10000nF,+80-20%,10V,Y5V,3216	1	S.A	
...4	C120	2203-005437	C-CER,CHIP;10000nF,+80-20%,10V,Y5V,3216	1	S.A	
...4	C120	2203-005437	C-CER,CHIP;10000nF,+80-20%,10V,Y5V,3216	1	S.A	
...4	C120	2203-005533	C-CER,CHIP;1000nF,20%,6.3V,X7R,TP,1608	1	S.A	
...4	C120	2203-005533	C-CER,CHIP;1000nF,20%,6.3V,X7R,TP,1608	1	S.A	
...4	C120	2203-005533	C-CER,CHIP;1000nF,20%,6.3V,X7R,TP,1608	1	S.A	
...4	C120	2203-005533	C-CER,CHIP;1000nF,20%,6.3V,X7R,TP,1608	1	S.A	
...4	C120	2203-005533	C-CER,CHIP;1000nF,20%,6.3V,X7R,TP,1608	1	S.A	
...4	C120	2203-005533	C-CER,CHIP;1000nF,20%,6.3V,X7R,TP,1608	1	S.A	
...4	C120	2203-005533	C-CER,CHIP;1000nF,20%,6.3V,X7R,TP,1608	1	S.A	
...4	C120	2203-005533	C-CER,CHIP;1000nF,20%,6.3V,X7R,TP,1608	1	S.A	
...4	C120	2203-005533	C-CER,CHIP;1000nF,20%,6.3V,X7R,TP,1608	1	S.A	
...4	C120	2203-005533	C-CER,CHIP;1000nF,20%,6.3V,X7R,TP,1608	1	S.A	
...4	C120	2203-005533	C-CER,CHIP;1000nF,20%,6.3V,X7R,TP,1608	1	S.A	
...4	C120	2203-005533	C-CER,CHIP;1000nF,20%,6.3V,X7R,TP,1608	1	S.A	
...4	C120	2203-005533	C-CER,CHIP;1000nF,20%,6.3V,X7R,TP,1608	1	S.A	
...4	C120	2203-005533	C-CER,CHIP;1000nF,20%,6.3V,X7R,TP,1608	1	S.A	
...4	C120	2203-005533	C-CER,CHIP;1000nF,20%,6.3V,X7R,TP,1608	1	S.A	
...4	C120	2203-005642	C-CER,CHIP;0.22nF,5%,50V,NP0,1005	1	S.N.A	
...4	C120	2203-005642	C-CER,CHIP;0.22nF,5%,50V,NP0,1005	1	S.N.A	
...4	C120	2203-005642	C-CER,CHIP;0.22nF,5%,50V,NP0,1005	1	S.N.A	
...4	C120	2203-005659	C-CER,CHIP;0.18nF,5%,50V,NP0,1005	1	S.N.A	
...4	C120	2203-005968	C-CER,CHIP;4.7NF,10%,50V,X7R,TP,1005	1	S.N.A	
...4	C120	2203-005968	C-CER,CHIP;4.7NF,10%,50V,X7R,TP,1005	1	S.N.A	
...4	C120	2203-005968	C-CER,CHIP;4.7NF,10%,50V,X7R,TP,1005	1	S.N.A	
...4	C120	2203-005968	C-CER,CHIP;4.7NF,10%,50V,X7R,TP,1005	1	S.N.A	
...4	C120	2203-005968	C-CER,CHIP;4.7NF,10%,50V,X7R,TP,1005	1	S.N.A	
...4	C120	2203-005968	C-CER,CHIP;4.7NF,10%,50V,X7R,TP,1005	1	S.N.A	
...4	C120	2203-005968	C-CER,CHIP;4.7NF,10%,50V,X7R,TP,1005	1	S.N.A	
...4	C120	2203-006141	C-CER,CHIP;1000nF,10%,16V,X5R,1608	1	S.A	
...4	C120	2203-006141	C-CER,CHIP;1000nF,10%,16V,X5R,1608	1	S.A	
...4	C120	2203-006141	C-CER,CHIP;1000nF,10%,16V,X5R,1608	1	S.A	
...4	C120	2203-006141	C-CER,CHIP;1000nF,10%,16V,X5R,1608	1	S.A	













## 5. Exploded View &amp; Part List

Level	Location No.	Code No.	Description & Specification	Q'ty	SA/SNA	Remark
...4	C3170	2402-001128	C-AL,SMD;100##F,20%,16V,-,TP,6.3X5.7mm	1	S.A	
...4	C3189	2402-001129	C-AL,SMD;47UF,20%,16V,WT,TP,6.3X5.2MM	1	S.A	
...4	C1163	2402-001210	C-POLYMER AL CHIP;100uF,20%,10V,WT,TP,7.	1	S.A	
...4	C1169	2402-001210	C-POLYMER AL CHIP;100uF,20%,10V,WT,TP,7.	1	S.A	
...4	C5120	2402-001210	C-POLYMER AL CHIP;100uF,20%,10V,WT,TP,7.	1	S.A	
...4	C5355	2402-001210	C-POLYMER AL CHIP;100uF,20%,10V,WT,TP,7.	1	S.A	
...4	C1140	2409-001118	C-POLYMER ,CHIP;47uF,-+20,10V,WT,REEL,3.	1	S.A	
...4	C1351	2409-001118	C-POLYMER ,CHIP;47uF,-+20,10V,WT,REEL,3.	1	S.A	
...4	C5521	2409-001118	C-POLYMER ,CHIP;47uF,-+20,10V,WT,REEL,3.	1	S.A	
...4	C5522	2409-001118	C-POLYMER ,CHIP;47uF,-+20,10V,WT,REEL,3.	1	S.A	
...4	T0052	2703-000398	INDUCTOR-SMD;10uH,10%,3225	1	S.A	
...4	T0052	2703-000398	INDUCTOR-SMD;10uH,10%,3225	1	S.A	
...4	T0052	2703-000417	INDUCTOR-SMD;220uH,5%,3225	1	S.A	
...4	T0052	2703-001334	INDUCTOR-SMD;1.5uH,10%,2012	1	S.A	
...4	T0052	2703-001334	INDUCTOR-SMD;1.5uH,10%,2012	1	S.A	
...4	T0052	2703-001334	INDUCTOR-SMD;1.5uH,10%,2012	1	S.A	
...4	T0052	2703-001334	INDUCTOR-SMD;1.5uH,10%,2012	1	S.A	
...4	T0052	2703-001426	INDUCTOR-SMD;680uH,20%,7070	1	S.A	
...4	T0052	2703-002722	INDUCTOR-SMD;22uH,20%,12x12mm	1	S.A	
...4	T0052	2703-002722	INDUCTOR-SMD;22uH,20%,12x12mm	1	S.A	
...4	L2101	2704-000018	INDUCTOR-SMD-ARRAY;15uH,2000mA,2,0.124oh	1	S.N.A	
...4	L2102	2704-000018	INDUCTOR-SMD-ARRAY;15uH,2000mA,2,0.124oh	1	S.N.A	
...4	X202	2801-003326	CRYSTAL-SMD;24MHZ,30PPM,28-ABX,20PF,50OH	1	S.A	
...4	X202	2801-003954	CRYSTAL-SMD;27MHz,30ppm,28-AAN,16pF,50oh	1	S.A	
...4	X202	2801-003954	CRYSTAL-SMD;27MHz,30ppm,28-AAN,16pF,50oh	1	S.A	
...4	F103	2901-001114	FILTER-EMI SMD;25VDC,2.0ADC,-,100nF,3.2x	1	S.A	
...4	F103	2901-001302	FILTER-EMI SMD;20V,0.3A,0pF,2.0x1.2x1.3m	1	S.A	
...4	F103	2901-001302	FILTER-EMI SMD;20V,0.3A,0pF,2.0x1.2x1.3m	1	S.A	
...4	F103	2901-001302	FILTER-EMI SMD;20V,0.3A,0pF,2.0x1.2x1.3m	1	S.A	
...4	F103	2901-001302	FILTER-EMI SMD;20V,0.3A,0pF,2.0x1.2x1.3m	1	S.A	
...4	T0568	3301-001145	BEAD-SMD;60ohm,4516,TP,70ohm/45MHz,82ohm	1	S.N.A	
...4	T0568	3301-001145	BEAD-SMD;60ohm,4516,TP,70ohm/45MHz,82ohm	1	S.N.A	
...4	T0568	3301-001145	BEAD-SMD;60ohm,4516,TP,70ohm/45MHz,82ohm	1	S.N.A	
...4	T0568	3301-001145	BEAD-SMD;60ohm,4516,TP,70ohm/45MHz,82ohm	1	S.N.A	
...4	T0568	3301-001145	BEAD-SMD;60ohm,4516,TP,70ohm/45MHz,82ohm	1	S.N.A	
...4	T0568	3301-001145	BEAD-SMD;60ohm,4516,TP,70ohm/45MHz,82ohm	1	S.N.A	
...4	T0568	3301-001145	BEAD-SMD;60ohm,4516,TP,70ohm/45MHz,82ohm	1	S.N.A	
...4	T0568	3301-001145	BEAD-SMD;60ohm,4516,TP,70ohm/45MHz,82ohm	1	S.N.A	
...4	T0568	3301-001148	BEAD-SMD;60ohm,1608,TP,-,-	1	S.N.A	
...4	T0568	3301-001148	BEAD-SMD;60ohm,1608,TP,-,-	1	S.N.A	
...4	T0568	3301-001148	BEAD-SMD;60ohm,1608,TP,-,-	1	S.N.A	
...4	T0568	3301-001404	BEAD-SMD;30ohm,2012,TP,15.9OHM/30MHz	1	S.A	
...4	T0568	3301-001404	BEAD-SMD;30ohm,2012,TP,15.9OHM/30MHz	1	S.A	
...4	T0568	3301-001404	BEAD-SMD;30ohm,2012,TP,15.9OHM/30MHz	1	S.A	
...4	T0568	3301-001404	BEAD-SMD;30ohm,2012,TP,15.9OHM/30MHz	1	S.A	
...4	T0568	3301-001404	BEAD-SMD;30ohm,2012,TP,15.9OHM/30MHz	1	S.A	
...4	T0568	3301-001404	BEAD-SMD;30ohm,2012,TP,15.9OHM/30MHz	1	S.A	
...4	T0568	3301-001404	BEAD-SMD;30ohm,2012,TP,15.9OHM/30MHz	1	S.A	
...4	T0568	3301-001404	BEAD-SMD;30ohm,2012,TP,15.9OHM/30MHz	1	S.A	
...4	T0568	3301-001404	BEAD-SMD;30ohm,2012,TP,15.9OHM/30MHz	1	S.A	
...4	T0568	3301-001404	BEAD-SMD;30ohm,2012,TP,15.9OHM/30MHz	1	S.A	
...4	T0568	3301-001404	BEAD-SMD;30ohm,2012,TP,15.9OHM/30MHz	1	S.A	



## 5. Exploded View &amp; Part List

Level	Location No.	Code No.	Description & Specification	Q'ty	SA/SNA	Remark
...4	R110	2007-007001	R-CHIP;3.9Kohm,5%,1/16W,TP,1005	1	S.A	
...4	C120	2203-000440	C-CER,CHIP;1nF,10%,50V,X7R,1608	1	S.A	
...4	C120	2203-000440	C-CER,CHIP;1nF,10%,50V,X7R,1608	1	S.A	
...4	C6151_OP	2402-001259	C-AL,SMD;220uF,20%,16V,WT,REEL,8X10	1	S.A	
...4	C2160	2402-001273	C-AL,SMD;220uF,20%,35V,WT,REEL,10X10mm	1	S.A	
...4	CN330	3711-006374	HEADER-BOARD TO CABLE;BOX,41P,2R,1.25mm,	1	S.A	
...4	IC104	0801-002633	IC-CMOS LOGIC;7WBD3125,2bit BUS SWITCH,S	1	S.A	
...4	IC104	0801-002633	IC-CMOS LOGIC;7WBD3125,2bit BUS SWITCH,S	1	S.A	
...4	IC104	0801-002633	IC-CMOS LOGIC;7WBD3125,2bit BUS SWITCH,S	1	S.A	
...4	IC104	0801-002633	IC-CMOS LOGIC;7WBD3125,2bit BUS SWITCH,S	1	S.A	
...4	R110	2007-002425	R-CHIP;1ohm,5%,1/10W,TP,1608	1	S.A	
...4	R110	2007-002425	R-CHIP;1ohm,5%,1/10W,TP,1608	1	S.A	
...4	R110	2007-002425	R-CHIP;1ohm,5%,1/10W,TP,1608	1	S.A	
...4	R110	2007-002425	R-CHIP;1ohm,5%,1/10W,TP,1608	1	S.A	
...4	R110	2007-002425	R-CHIP;1ohm,5%,1/10W,TP,1608	1	S.A	
...4	R110	2007-002425	R-CHIP;1ohm,5%,1/10W,TP,1608	1	S.A	
...4	R110	2007-002425	R-CHIP;1ohm,5%,1/10W,TP,1608	1	S.A	
...4	C1207	2402-001238	C-AL,SMD;1uF,20%,50V,HR,TP,4.3x4.3x5.2mm	1	S.A	
...4	D0254	0404-001307	DIODE-SCHOTTKY;SSC54,20V,5000mA,DO-214AB	1	S.A	
...4	R110	2007-000033	R-CHIP;0ohm,5%,1/4W,TP,3216	1	S.A	
...4	R110	2007-000033	R-CHIP;0ohm,5%,1/4W,TP,3216	1	S.A	
...4	R110	2007-000033	R-CHIP;0ohm,5%,1/4W,TP,3216	1	S.A	
...4	R110	2007-000033	R-CHIP;0ohm,5%,1/4W,TP,3216	1	S.A	
...4	R110	2007-000312	R-CHIP;10ohm,5%,1/4W,TP,3216	1	S.A	
...4	R110	2007-000312	R-CHIP;10ohm,5%,1/4W,TP,3216	1	S.A	
...4	D2107	0403-000002	DIODE-ZENER;VLZ5V6B,5.45/5.73V,500mW,SOD	1	S.A	
...4	D3115	0403-000002	DIODE-ZENER;VLZ5V6B,5.45/5.73V,500mW,SOD	1	S.A	
...4	D3125	0403-000002	DIODE-ZENER;VLZ5V6B,5.45/5.73V,500mW,SOD	1	S.A	
...4	D3126	0403-000002	DIODE-ZENER;VLZ5V6B,5.45/5.73V,500mW,SOD	1	S.A	
...4	D3129	0403-000002	DIODE-ZENER;VLZ5V6B,5.45/5.73V,500mW,SOD	1	S.A	
...4	D3132	0403-000002	DIODE-ZENER;VLZ5V6B,5.45/5.73V,500mW,SOD	1	S.A	
...4	D3134	0403-000002	DIODE-ZENER;VLZ5V6B,5.45/5.73V,500mW,SOD	1	S.A	
...4	D3137	0403-000002	DIODE-ZENER;VLZ5V6B,5.45/5.73V,500mW,SOD	1	S.A	
...4	D3148	0403-000002	DIODE-ZENER;VLZ5V6B,5.45/5.73V,500mW,SOD	1	S.A	
...4	D3186_NSID	0403-000002	DIODE-ZENER;VLZ5V6B,5.45/5.73V,500mW,SOD	1	S.A	
...4	D3205	0403-000002	DIODE-ZENER;VLZ5V6B,5.45/5.73V,500mW,SOD	1	S.A	
...4	D5103	0403-000002	DIODE-ZENER;VLZ5V6B,5.45/5.73V,500mW,SOD	1	S.A	
...4	T0077	BN41-00974B	PCB MAIN;Amber,FR-4,4,1.0,1.6,192*240,N4	1	S.N.A	
...4	M0018	BN97-02084A	ASSY MICOM;T-PERLDEUC-0010,N50A,2007.12.	1	S.N.A	
....5	IC115	1107-001415	IC-FLASH MEMORY;29W320D,4Mx8/2Mx16Bit,TS	1	S.N.A	
...3	T0603	BN63-04510A	SHIELD-PCB MAIN;PEARL32, EO, TOP,SPTE,T0.	1	S.N.A	
...3	T0603	BN63-04512A	SHIELD-PCB MAIN;PEARL32,EO,BOT,SPTE T0.3	1	S.N.A	
...3	SUB09_MTK	BN73-00024E	SILICON/RUBBER-GAPPAD;EDISON 24,SILICON+	1	S.N.A	
...3	SUB10_FBE	BN73-00176B	SILICON/RUBBER-GAPPAD;EDISON 24,SILICON+	1	S.N.A	
...3	M0131	BN63-03550A	GASKET;BORDEAUX PLUS,Conductive Fabric,1	2	S.N.A	
...3	JA333	3722-002360	JACK-PIN;3P,AU,GRN/BLU/RED,STRAIGHT	1	S.A	
...3	JA333	3722-002362	JACK-PIN;2P,Sn,WHT/RED,STRAIGHT	1	S.A	
...3	JA333	3722-002362	JACK-PIN;2P,Sn,WHT/RED,STRAIGHT	1	S.A	
...3	JA333	3722-002362	JACK-PIN;2P,Sn,WHT/RED,STRAIGHT	1	S.A	
0.1		BN91-02028B	ASSY SHIELD-SQE;LE32A557P2FX/XC	1	S.N.A	
..2	T0081	6002-001294	SCREW-TAPPING;BH,+,,M4,L16,ZPC(BLK)	1	S.A	

5. Exploded View & Part List

Level	Location No.	Code No.	Description & Specification	Q'ty	SA/SNA	Remark
..2	M0081	6003-000115	SCREW-TAPTITE;BH,+,B,M3,L6,ZPC(BLK),SWRC	1	S.A	
..2	M0081	6003-000115	SCREW-TAPTITE;BH,+,B,M3,L6,ZPC(BLK),SWRC	6	S.A	
..2	M0081	6003-000115	SCREW-TAPTITE;BH,+,B,M3,L6,ZPC(BLK),SWRC	1	S.A	
..2	M0081	6003-000115	SCREW-TAPTITE;BH,+,B,M3,L6,ZPC(BLK),SWRC	4	S.A	
..2	M0081	6003-000337	SCREW-TAPTITE;BH,+,S,M4,L10,ZPC(BLK),SWR	4	S.A	
..2	M0081	6003-001024	SCREW-TAPTITE;RWH,+,-,B,M4,L12,ZPC(WHT),	2	S.A	
..2	M0081	6003-001188	SCREW-TAPTITE;BH,+,-,B,M4,L10,ZPC(WHT),S	2	S.N.A	
..2	M0081	6003-001188	SCREW-TAPTITE;BH,+,-,B,M4,L10,ZPC(WHT),S	2	S.N.A	
..2	M0081	6003-001188	SCREW-TAPTITE;BH,+,-,B,M4,L10,ZPC(WHT),S	8	S.N.A	
..2	M0081	6003-001439	SCREW-TAPTITE;BH,+,-,S,M4,L8,ZPC(WHT),SW	1	S.N.A	
..2	M2893	BH39-00362G	LEAD CONNECTOR;SONOMA,UL1007#26,5PIN,100	1	S.A	
..2	T0076	BN39-00615D	CBF HARNESS;BORDEAUX,1617#22,3P,1P,RING,	1	S.A	
..2	M2893	BN39-00802A	LEAD CONNECTOR;LE32R86BDX,UL1007#26,UL/C	1	S.A	
..2	M2893	BN39-00849C	LEAD CONNECTOR;LNT4081FX/XAA,UL1007 #26,	1	S.A	
..2	T0764	BN44-00208A	SMPS-LCDTV;MK32P5T,SEM,AC/DC,137W,AC100	1	S.A	
..2	M0254	BN61-02875E	HOLDER-SIDE AV;40F8,EO,HIPS V0,-,-,BK5	1	S.N.A	
..2	M0115	BN61-03706A	BRACKET-STAND LINK;BRACKET-STAND-LINK 32	1	S.N.A	
..2	M0107	BN63-03039A	SHIELD-COVER;MURANO40,PCM,T0.5,IDTV	1	S.N.A	
..2	T0175	BN96-06818B	ASSY SPEAKER P;8ohm,CORAL,L450,10W,4pin,	1	S.A	
..2	M0214	BN96-07518A	ASSY CABLE P-FLAT LVDS;LE32A556P1FXXC,FF	1	S.A	
..2	T0447	BN96-04681A	ASSY BRACKET P-PANEL;-32R81,-,-,-,AM,	1	S.N.A	
...3	M0131	AA63-01437A	GASKET;Bordeaux,Conductive Fabric,20mm,9	1	S.N.A	
...3	M0131	AA63-01438A	GASKET;Bordeaux,Conductive Fabric,7mm,8m	1	S.N.A	
...3		BN61-02199B	BRACKET-GUIDE POWER;Bordeaux 32,SECC,T1.	1	S.N.A	
...3		BN61-02200A	BRACKET-GUIDE POWER L;Bordeaux 32,SECC,T	1	S.N.A	
...3	M0146	BN61-02970A	BRACKET-PANEL TOP;32 BORDEAUX PLUS,SECC,	1	S.N.A	
...3		BN61-02974A	BRACKET-PANEL BOTTOM;32 BORDEAUX PLUS,SE	1	S.N.A	
...3		BN61-02978A	BRACKET-GUIDE MAIN;32 BORDEAUX PLUS,SECC	1	S.N.A	
...3	M0131	BN63-03327A	GASKET;BORDEAUX PLUS,Conductive Fabric,2	1	S.N.A	
...3	M0081	6003-000115	SCREW-TAPTITE;BH,+,B,M3,L6,ZPC(BLK),SWRC	6	S.A	
...3	M0114	BN61-02500A	HOLDER-WIRE;NYLON6.6,NATURAL	2	S.N.A	
0.1	M0003	BN92-03223B	ASSY BOX;32L530,EO,P2	1	S.N.A	
..2		BN69-02676A	BOX-SET;32L550P2,CB,A-01,DW-75,YEL,W891,	1	S.N.A	
0.1	M0113	BN92-03228B	ASSY P/MATERIAL;32L530,W/W	1	S.N.A	
..2	T0214	BN74-00008A	TAPE-OPP MASKING;OPP-2,T0.05,W100,L800M,	2.09	S.N.A	
..2	T0524	6902-000519	BAG PE;HDPE/NITRON(DOUBLE),T0.015/T0.05(	1	S.N.A	
0.1	M0019	BN92-03261L	ASSY LABEL;LE37A556P2FXXC	1	S.N.A	
0.1	M0045	BN92-03367N	ASSY ACCESSORY;LE32A556P1FXBT	1	S.A	
..2	T0268	3903-000145	CBF-POWER CORD;DT,EU,FP3/YES,U(IEC C13-R	1	S.A	
..2	T0081	6002-001294	SCREW-TAPPING;BH,+,,M4,L16,ZPC(BLK)	4	S.A	
..2		AA68-03242K	MANUAL FLYER-02,SAFETY GUIDE;comm,Samsun	1	S.N.A	
..2	T0238	AA68-03724C	MANUAL FLYER-WARRANTY CARD;comm,Samsung,	1	S.N.A	
..2	T0074	BN59-00683A	REMOCON;TM-96B,49,EUROPE_DTV-550	1	S.A	
..2		BN63-01798A	CLOTH-CLEAN;RE40**,CLOTH,180,200,RHCM	1	S.N.A	
..2	T0531	BN63-04207A	COVER-BOTTOM;COVER-BOTTOM 32,HIPS,HB,BK5	1	S.N.A	
..2	T0511	BN68-01409G	MANUAL USERS;COMM,SAMSUNG,Eng/Lat/Lit/Es	1	S.N.A	
..2	T0091	HA83-00047A	LP-TAPEACETATE;T0.1MM,W20MM,L200MM	0.1	S.N.A	



## 5. Exploded View &amp; Part List

Level	Location No.	Code No.	Description & Specification	Q'ty	SA/SNA	Remark
..2		AA68-03575A	MANUAL FLYER-02,REGISTRATION C;XEU,ENG,U	1	S.N.A	
..2		BN69-02628L	BOX-SET;32L550P1,CB,A-01,DW-75 ,YEL,W966	1	S.N.A	

**5-7. LE37A55\*P Parts List**

Level	Location No.	Code No.	Description & Specification	Q'ty	SA/SNA	Remark
		LE37A559P4FXXC	LE37A559P4F,N46A/37AP4-GPR,37,LCD-TV,SPA			
0.1	M0001	BN90-01546D	ASSY COVER FRONT;37L550,P4,EO(iDTV),,,,	1	S.N.A	
..2	T0003	BN96-07428B	ASSY COVER P-FRONT;37L559,P4,EO(iDTV),AB	1	S.A	
...3	M0081	6003-001188	SCREW-TAPTITE;BH,+,-,B,M4,L10,ZPC(WHT),S	1	S.N.A	
...3	M0081	6003-001188	SCREW-TAPTITE;BH,+,-,B,M4,L10,ZPC(WHT),S	1	S.N.A	
...3	M0081	6003-001188	SCREW-TAPTITE;BH,+,-,B,M4,L10,ZPC(WHT),S	2	S.N.A	
...3	T0069	AA60-00171L	SPACER-FELT;46L3,FELT,460,T0.5,10	2	S.N.A	
...3		BN61-03261C	BOSS-TAPE;Tulip,ACRYL,T1.1,W24mm,GRAY,TA	0.7	S.N.A	
...3		BN61-03887B	HOLDER-BOSS BOTTOM;37L530,HIPS,HB,BK500	1	S.N.A	
...3		BN63-01151A	FELT-NON WOVEN;MM17NS,-,T0.5,393,10,BLK,	4	S.N.A	
...3	CCM1	BN63-02183D	COVER-SHEET;Rbcm,PE Vinyl,T0.05,680mm,20	0.7	S.N.A	
...3	M0112	BN63-04367A	COVER-FRONT;37L550,P2,P3,P4,EO(iDTV),ABS	1	S.N.A	
...3	T0059	BN64-00379A	INDICATOR LED;ROME-II,23,PC,CLEAR	1	S.N.A	
...3	T0061	BN64-00453A	WINDOW-REMOCON;32R71,PC,V0,VIOLET,DIFFUS	1	S.N.A	
...3	T0022	BN64-00755A	KNOB-CONTROL;32L450,ABS,V0,BK07	1	S.N.A	
...3		BN64-00853A	DECORATION-BOTTOM;37-L530,GARNET,PC CLEA	1	S.N.A	
...3	M0102	BN96-06798A	ASSY BLU P;Pearl(L550),BACK LIGHT UNIT,M	1	S.A	
...3	M0145	BN96-07269A	ASSY BOARD P-FUNCTION;LN40A450C1D,CT5000	1	S.A	
...3	M0146	BN96-07270F	ASSY BOARD P-POWER & IR;LE32A656P1F,CT50	1	S.A	
0.1	M0002	BN90-01551A	ASSY COVER REAR;37L550,P3,EO(iDTV),,,,	1	S.N.A	
..2	T0081	6002-001294	SCREW-TAPPING;BH,+,,M4,L16,ZPC(BLK)	1	S.A	
..2	T0081	6002-001294	SCREW-TAPPING;BH,+,,M4,L16,ZPC(BLK)	13	S.A	
..2	T0081	6002-001294	SCREW-TAPPING;BH,+,,M4,L16,ZPC(BLK)	2	S.A	
..2	M0081	6003-000115	SCREW-TAPTITE;BH,+ ,B,M3,L6,ZPC(BLK),SWRC	1	S.A	
..2	M0013	BN96-06948B	ASSY COVER P-REAR;37L530,EO(iDTV),HIPS,H	1	S.A	
...3	M0081	6003-001188	SCREW-TAPTITE;BH,+,-,B,M4,L10,ZPC(WHT),S	2	S.N.A	
...3	T0101	BN61-03348A	BRACKET-WALL;LCD TV 32,SECC T1.2,-,-,-,-	2	S.N.A	
...3	M0006	BN63-04369B	COVER-REAR;37L530,EO(iDTV),HIPS,HB,BK500	1	S.N.A	
...3	T0064	BN65-00002A	CLAMPER CORE;BORDEAUX,LDPE,-,-,BLK,-	1	S.N.A	
...3	T0071	BN64-00776A	INLAY-TERMINAL;L450,EO(iDTV),PS SHEET,T0	1	S.N.A	
0.1	M0216	BN90-01556A	ASSY STAND;37L530	1	S.N.A	
..2	T0081	6002-001294	SCREW-TAPPING;BH,+,,M4,L16,ZPC(BLK)	4	S.A	
..2	M0027	BN96-04754A	ASSY STAND P-BASE;37,40S81,W/W,ABS+PMMA,	1	S.A	
...3	T0081	6002-001294	SCREW-TAPPING;BH,+,,M4,L16,ZPC(BLK)	4	S.A	
...3	M0081	6003-001239	SCREW-TAPTITE;FH,+,-,B,M4,L10,ZPC(WHT),S	8	S.A	
...3		BN61-02883A	BRACKET-STAND BOTTOM;BORDEAUX PLUS,40,SE	1	S.N.A	
...3		BN61-02886A	BRACKET-HINGE SWIVEL;BORDEAUX PLUS,40,SE	1	S.N.A	
...3	CCM1	BN63-02183D	COVER-SHEET;Rbcm,PE Vinyl,T0.05,680mm,20	0.4	S.N.A	
...3		BN61-02248A	HOLDER-SWIVEL RING;40R71,ACETAL NATUAL,T	1	S.N.A	
...3	T0004	BN63-03030A	COVER-STAND BASE;40R81,ABS+PMMA,-,-,-,HB	1	S.N.A	
...3		BN61-02885A	HOLDER-SWIVEL RING;MURANO40,ACETAL NATUR	1	S.N.A	
...3	T0920	BN61-02985B	GUIDE-STAND;JASMINE,37,40,ABS,HB,BK500	1	S.N.A	
....4		BN61-02981A	BRACKET-SUPPORT STAND;40 BORDEAUX PLUS,S	1	S.N.A	
....4		BN61-03045A	BRACKET-SUPPORT STAND;40 BORDEAUX PLUS,S	1	S.N.A	
...3	M0126	BN73-00052C	RUBBER-FOOT;LCD TV,CR RUBBER,T2.0 DIA19,	4	S.N.A	

## 5. Exploded View &amp; Part List

Level	Location No.	Code No.	Description & Specification	Q'ty	SA/SNA	Remark
0.1		BN91-01964B	ASSY LCD-AUO;LN37A550P1FX/*, T370HW02 V4	1	S.N.A	
..2	M0215	BN07-00514A	LCD-PANEL;T370HW02 V4	1	S.A	
0.1	M0017	BN91-02016A	ASSY CHASSIS;LE37A556P1FX/XC,AUO	1	S.N.A	
..2	M0014	BN94-01656A	ASSY PCB MAIN-AUO;LE37A556P1FX,N46A	1	S.A	
...3		0202-001557	SOLDER-CREAM;LST57-A,D38-63,42SN/57BI/1A	11	S.N.A	
...3	JA3114_NSI	3701-001388	CONNECTOR-HDMI;20P,Phosphor Bronze,ANGLE	1	S.A	
...3	JA3208_OP	3701-001480	CONNECTOR-DSUB;15P,3R,FEMAIL,STAMPED PIN	1	S.A	
...3	CN906	3707-001081	CONNECTOR-OPTICAL;STRAIGHT,SPDIF	1	S.A	
...3	JA7201	3709-001508	CONNECTOR-CARD SLOT;68P,1.27mm,PIN,PCMCIA	1	S.A	
...3	CN330	3711-000058	HEADER-BOARD TO CABLE;BOX,4P,1R,2.5MM,AN	1	S.A	
...3	CN330	3711-004379	HEADER-BOARD TO CABLE;BOX,4P,1R,2mm,STRA	1	S.A	
...3	CN330	3711-004379	HEADER-BOARD TO CABLE;BOX,4P,1R,2mm,STRA	1	S.A	
...3	CN330	3711-004484	HEADER-BOARD TO CABLE;BOX,5P,1R,2mm,STRA	1	S.A	
...3	CN330	3711-004531	HEADER-BOARD TO CABLE;BOX,10P,1R,2mm,ANG	1	S.A	
...3	CN330	3711-004712	HEADER-BOARD TO CABLE;BOX,9P,1R,2mm,STRA	1	S.A	
...3	CN330	3711-005842	HEADER-BOARD TO CABLE;BOX,24P,2R,2MM,STR	1	S.A	
...3	JA330	3722-000143	JACK-PHONE;1P(VER),AG,BLK,ANGLE	1	S.A	
...3	JA330	3722-001061	JACK-PHONE;1P,3.6PI,AG,BLK,N	1	S.A	
...3	JA330	3722-001061	JACK-PHONE;1P,3.6PI,AG,BLK,N	1	S.A	
...3	CN3108_NSI	3722-002275	JACK-DIN;4P,-,SN,BLK,-	1	S.A	
...3	CN3111_NSI	3722-002546	JACK-USB;4P/1C,AU,BLK,ANGLE,A type	1	S.N.A	
...3	CIS3	BN40-00120A	TUNER;TDHG6-K10A,TDHG6-K10A,DVB-T,181CH,	1	S.A	
...3	T0174	BN97-02033A	ASSY SMD;LE37A556P1F/*,N46A	1	S.N.A	
....4	SUB05	0202-001477	SOLDER-CREAM;LST309-M,-,D20-45##,96.5Sn/	2.999	S.N.A	
....4	D1104	0401-001056	DIODE-SWITCHING;MMBD4148SE,100V,200mA,SO	1	S.A	
....4	D3101	0401-001056	DIODE-SWITCHING;MMBD4148SE,100V,200mA,SO	1	S.A	
....4	D3102	0401-001056	DIODE-SWITCHING;MMBD4148SE,100V,200mA,SO	1	S.A	
....4	D3103	0401-001056	DIODE-SWITCHING;MMBD4148SE,100V,200mA,SO	1	S.A	
....4	D3104	0401-001056	DIODE-SWITCHING;MMBD4148SE,100V,200mA,SO	1	S.A	
....4	D3105	0401-001056	DIODE-SWITCHING;MMBD4148SE,100V,200mA,SO	1	S.A	
....4	D3106	0401-001056	DIODE-SWITCHING;MMBD4148SE,100V,200mA,SO	1	S.A	
....4	D3108	0401-001056	DIODE-SWITCHING;MMBD4148SE,100V,200mA,SO	1	S.A	
....4	D3109	0401-001056	DIODE-SWITCHING;MMBD4148SE,100V,200mA,SO	1	S.A	
....4	D3144	0401-001056	DIODE-SWITCHING;MMBD4148SE,100V,200mA,SO	1	S.A	
....4	D3146	0401-001056	DIODE-SWITCHING;MMBD4148SE,100V,200mA,SO	1	S.A	
....4	D3147	0401-001056	DIODE-SWITCHING;MMBD4148SE,100V,200mA,SO	1	S.A	
....4	D3149	0401-001056	DIODE-SWITCHING;MMBD4148SE,100V,200mA,SO	1	S.A	
....4	D3150	0401-001056	DIODE-SWITCHING;MMBD4148SE,100V,200mA,SO	1	S.A	
....4	D3151	0401-001056	DIODE-SWITCHING;MMBD4148SE,100V,200mA,SO	1	S.A	
....4	D3152	0401-001056	DIODE-SWITCHING;MMBD4148SE,100V,200mA,SO	1	S.A	
....4	D3153	0401-001056	DIODE-SWITCHING;MMBD4148SE,100V,200mA,SO	1	S.A	
....4	D3154	0401-001056	DIODE-SWITCHING;MMBD4148SE,100V,200mA,SO	1	S.A	
....4	D3155	0401-001056	DIODE-SWITCHING;MMBD4148SE,100V,200mA,SO	1	S.A	
....4	D3158	0401-001056	DIODE-SWITCHING;MMBD4148SE,100V,200mA,SO	1	S.A	
....4	D3159	0401-001056	DIODE-SWITCHING;MMBD4148SE,100V,200mA,SO	1	S.A	
....4	D3161	0401-001056	DIODE-SWITCHING;MMBD4148SE,100V,200mA,SO	1	S.A	
....4	D3162	0401-001056	DIODE-SWITCHING;MMBD4148SE,100V,200mA,SO	1	S.A	
....4	D3163	0401-001056	DIODE-SWITCHING;MMBD4148SE,100V,200mA,SO	1	S.A	
....4	D3165	0401-001056	DIODE-SWITCHING;MMBD4148SE,100V,200mA,SO	1	S.A	
....4	D3166	0401-001056	DIODE-SWITCHING;MMBD4148SE,100V,200mA,SO	1	S.A	

5. Exploded View & Part List

Level	Location No.	Code No.	Description & Specification	Q'ty	SA/SNA	Remark
...4	D3168	0401-001056	DIODE-SWITCHING;MMBD4148SE,100V,200mA,SO	1	S.A	
...4	D3170	0401-001056	DIODE-SWITCHING;MMBD4148SE,100V,200mA,SO	1	S.A	
...4	D3173	0401-001056	DIODE-SWITCHING;MMBD4148SE,100V,200mA,SO	1	S.A	
...4	D3195	0401-001056	DIODE-SWITCHING;MMBD4148SE,100V,200mA,SO	1	S.A	
...4	D3196	0401-001056	DIODE-SWITCHING;MMBD4148SE,100V,200mA,SO	1	S.A	
...4	D3197	0401-001056	DIODE-SWITCHING;MMBD4148SE,100V,200mA,SO	1	S.A	
...4	D3198	0401-001056	DIODE-SWITCHING;MMBD4148SE,100V,200mA,SO	1	S.A	
...4	D3200	0401-001056	DIODE-SWITCHING;MMBD4148SE,100V,200mA,SO	1	S.A	
...4	D3201	0401-001056	DIODE-SWITCHING;MMBD4148SE,100V,200mA,SO	1	S.A	
...4	D3202	0401-001056	DIODE-SWITCHING;MMBD4148SE,100V,200mA,SO	1	S.A	
...4	D3203	0401-001056	DIODE-SWITCHING;MMBD4148SE,100V,200mA,SO	1	S.A	
...4	D3204	0401-001056	DIODE-SWITCHING;MMBD4148SE,100V,200mA,SO	1	S.A	
...4	D3206	0401-001056	DIODE-SWITCHING;MMBD4148SE,100V,200mA,SO	1	S.A	
...4	D3207	0401-001056	DIODE-SWITCHING;MMBD4148SE,100V,200mA,SO	1	S.A	
...4	D3254	0401-001056	DIODE-SWITCHING;MMBD4148SE,100V,200mA,SO	1	S.A	
...4	D3255	0401-001056	DIODE-SWITCHING;MMBD4148SE,100V,200mA,SO	1	S.A	
...4	D3256	0401-001056	DIODE-SWITCHING;MMBD4148SE,100V,200mA,SO	1	S.A	
...4	D5501_CEC	0401-001056	DIODE-SWITCHING;MMBD4148SE,100V,200mA,SO	1	S.A	
...4	D2105	0401-001099	DIODE-SWITCHING;1N4148WS,75V,150mA,SOD-3	1	S.A	
...4	D2106	0401-001099	DIODE-SWITCHING;1N4148WS,75V,150mA,SOD-3	1	S.A	
...4	D2201	0401-001099	DIODE-SWITCHING;1N4148WS,75V,150mA,SOD-3	1	S.A	
...4	D3118	0401-001099	DIODE-SWITCHING;1N4148WS,75V,150mA,SOD-3	1	S.A	
...4	D3120	0401-001099	DIODE-SWITCHING;1N4148WS,75V,150mA,SOD-3	1	S.A	
...4	D3123	0401-001099	DIODE-SWITCHING;1N4148WS,75V,150mA,SOD-3	1	S.A	
...4	D5104	0401-001099	DIODE-SWITCHING;1N4148WS,75V,150mA,SOD-3	1	S.A	
...4	D5105	0401-001099	DIODE-SWITCHING;1N4148WS,75V,150mA,SOD-3	1	S.A	
...4	D5201	0401-001099	DIODE-SWITCHING;1N4148WS,75V,150mA,SOD-3	1	S.A	
...4	D0254	0402-000553	DIODE-SCHOTTKY;SS24/B240,40V,2000mA,DO-2	1	S.A	
...4	D0254	0402-000553	DIODE-SCHOTTKY;SS24/B240,40V,2000mA,DO-2	1	S.A	
...4	D5111	0403-000258	DIODE-ZENER;BZX84C5V6,5.2-6V,225mW,SOT-2	1	S.A	
...4	D3199	0403-001052	DIODE-ZENER;RD8.2MB,7.7-8.7V,200mW,SOT-2	1	S.A	
...4	D1111	0403-001425	DIODE-ZENER;BZX84C33,31-35V,350mW,SOT-23	1	S.A	
...4	D0254	0404-001404	DIODE-SCHOTTKY;BAT721C,40V,200mA,SOT-23,	1	S.A	
...4	D0254	0404-001404	DIODE-SCHOTTKY;BAT721C,40V,200mA,SOT-23,	1	S.A	
...4	D0254	0404-001404	DIODE-SCHOTTKY;BAT721C,40V,200mA,SOT-23,	1	S.A	
...4	D3119	0406-001172	DIODE-TVS;CDS3C30GTH,48/-/50V,SMD	1	S.A	
...4	D3122	0406-001172	DIODE-TVS;CDS3C30GTH,48/-/50V,SMD	1	S.A	
...4	D3138	0406-001172	DIODE-TVS;CDS3C30GTH,48/-/50V,SMD	1	S.A	
...4	D3139	0406-001172	DIODE-TVS;CDS3C30GTH,48/-/50V,SMD	1	S.A	
...4	D3179	0406-001172	DIODE-TVS;CDS3C30GTH,48/-/50V,SMD	1	S.A	
...4	D3180	0406-001172	DIODE-TVS;CDS3C30GTH,48/-/50V,SMD	1	S.A	
...4	D3182_NSID	0406-001172	DIODE-TVS;CDS3C30GTH,48/-/50V,SMD	1	S.A	
...4	D3183_NSID	0406-001172	DIODE-TVS;CDS3C30GTH,48/-/50V,SMD	1	S.A	
...4	D3184_NSID	0406-001172	DIODE-TVS;CDS3C30GTH,48/-/50V,SMD	1	S.A	
...4	D3185_NSID	0406-001172	DIODE-TVS;CDS3C30GTH,48/-/50V,SMD	1	S.A	
...4	D3188_NSID	0406-001172	DIODE-TVS;CDS3C30GTH,48/-/50V,SMD	1	S.A	
...4	D3189_NSID	0406-001172	DIODE-TVS;CDS3C30GTH,48/-/50V,SMD	1	S.A	
...4	D3190_NSID	0406-001172	DIODE-TVS;CDS3C30GTH,48/-/50V,SMD	1	S.A	
...4	D3251	0406-001172	DIODE-TVS;CDS3C30GTH,48/-/50V,SMD	1	S.A	
...4	D3252	0406-001172	DIODE-TVS;CDS3C30GTH,48/-/50V,SMD	1	S.A	
...4	D3208	0406-001181	DIODE-TVS;NUP4201MR6,6/-/50V,500W,TSOP-6	1	S.A	

## 5. Exploded View &amp; Part List

Level	Location No.	Code No.	Description & Specification	Q'ty	SA/SNA	Remark
...4	D2104	0407-000123	DIODE-ARRAY;DAN202K,80V,100mA,CA2-3,SOT-	1	S.A	
...4	D2108	0407-000123	DIODE-ARRAY;DAN202K,80V,100mA,CA2-3,SOT-	1	S.A	
...4	D2110	0407-000123	DIODE-ARRAY;DAN202K,80V,100mA,CA2-3,SOT-	1	S.A	
...4	D7201	0407-000123	DIODE-ARRAY;DAN202K,80V,100mA,CA2-3,SOT-	1	S.A	
...4	D7202	0407-000123	DIODE-ARRAY;DAN202K,80V,100mA,CA2-3,SOT-	1	S.A	
...4	D7203	0407-000123	DIODE-ARRAY;DAN202K,80V,100mA,CA2-3,SOT-	1	S.A	
...4	D7204	0407-000123	DIODE-ARRAY;DAN202K,80V,100mA,CA2-3,SOT-	1	S.A	
...4	D7205	0407-000123	DIODE-ARRAY;DAN202K,80V,100mA,CA2-3,SOT-	1	S.A	
...4	D7206	0407-000123	DIODE-ARRAY;DAN202K,80V,100mA,CA2-3,SOT-	1	S.A	
...4	Q7001	0501-000002	TR-SMALL SIGNAL;KSA812,PNP,150MW,SOT-23,	1	S.A	
...4	Q7002	0501-000002	TR-SMALL SIGNAL;KSA812,PNP,150MW,SOT-23,	1	S.A	
...4	Q5201	0501-000434	TR-SMALL SIGNAL;KTC3875S-GR,NPN,150mW,SO	1	S.A	
...4	Q7402	0501-000434	TR-SMALL SIGNAL;KTC3875S-GR,NPN,150mW,SO	1	S.A	
...4	Q1104	0501-000445	TR-SMALL SIGNAL;KTC3875S-Y,NPN,150mW,SOT	1	S.A	
...4	Q1111	0501-000445	TR-SMALL SIGNAL;KTC3875S-Y,NPN,150mW,SOT	1	S.A	
...4	Q2102	0501-000445	TR-SMALL SIGNAL;KTC3875S-Y,NPN,150mW,SOT	1	S.A	
...4	Q3101	0501-000445	TR-SMALL SIGNAL;KTC3875S-Y,NPN,150mW,SOT	1	S.A	
...4	Q3102	0501-000445	TR-SMALL SIGNAL;KTC3875S-Y,NPN,150mW,SOT	1	S.A	
...4	Q3106	0501-000445	TR-SMALL SIGNAL;KTC3875S-Y,NPN,150mW,SOT	1	S.A	
...4	Q3107	0501-000445	TR-SMALL SIGNAL;KTC3875S-Y,NPN,150mW,SOT	1	S.A	
...4	Q3111	0501-000445	TR-SMALL SIGNAL;KTC3875S-Y,NPN,150mW,SOT	1	S.A	
...4	Q3112	0501-000445	TR-SMALL SIGNAL;KTC3875S-Y,NPN,150mW,SOT	1	S.A	
...4	Q3113	0501-000445	TR-SMALL SIGNAL;KTC3875S-Y,NPN,150mW,SOT	1	S.A	
...4	Q3114	0501-000445	TR-SMALL SIGNAL;KTC3875S-Y,NPN,150mW,SOT	1	S.A	
...4	Q3151_NPN	0501-000445	TR-SMALL SIGNAL;KTC3875S-Y,NPN,150mW,SOT	1	S.A	
...4	Q3152_NPN	0501-000445	TR-SMALL SIGNAL;KTC3875S-Y,NPN,150mW,SOT	1	S.A	
...4	Q5104	0501-000445	TR-SMALL SIGNAL;KTC3875S-Y,NPN,150mW,SOT	1	S.A	
...4	Q5108	0501-000445	TR-SMALL SIGNAL;KTC3875S-Y,NPN,150mW,SOT	1	S.A	
...4	Q5109	0501-000445	TR-SMALL SIGNAL;KTC3875S-Y,NPN,150mW,SOT	1	S.A	
...4	Q5202	0501-000445	TR-SMALL SIGNAL;KTC3875S-Y,NPN,150mW,SOT	1	S.A	
...4	Q6101_DIM	0501-000445	TR-SMALL SIGNAL;KTC3875S-Y,NPN,150mW,SOT	1	S.A	
...4	Q1101_L	0501-002080	TR-SMALL SIGNAL;2SC2412K,NPN,200mW,SC-59	1	S.A	
...4	Q1102_50HZ	0501-002080	TR-SMALL SIGNAL;2SC2412K,NPN,200mW,SC-59	1	S.A	
...4	Q3103	0501-002080	TR-SMALL SIGNAL;2SC2412K,NPN,200mW,SC-59	1	S.A	
...4	Q3105	0501-002080	TR-SMALL SIGNAL;2SC2412K,NPN,200mW,SC-59	1	S.A	
...4	Q3108	0501-002080	TR-SMALL SIGNAL;2SC2412K,NPN,200mW,SC-59	1	S.A	
...4	Q3110	0501-002080	TR-SMALL SIGNAL;2SC2412K,NPN,200mW,SC-59	1	S.A	
...4	Q3153_NPN	0501-002080	TR-SMALL SIGNAL;2SC2412K,NPN,200mW,SC-59	1	S.A	
...4	Q3116	0501-002184	TR-SMALL SIGNAL;KTD1304,NPN,200mW,SOT-23	1	S.A	
...4	Q3117	0501-002184	TR-SMALL SIGNAL;KTD1304,NPN,200mW,SOT-23	1	S.A	
...4	Q409	0505-000110	FET-SILICON;2N7002,N,60V,115mA,7.5ohm,0.	1	S.A	
...4	Q409	0505-000110	FET-SILICON;2N7002,N,60V,115mA,7.5ohm,0.	1	S.A	
...4	Q409	0505-000110	FET-SILICON;2N7002,N,60V,115mA,7.5ohm,0.	1	S.A	
...4	Q409	0505-000110	FET-SILICON;2N7002,N,60V,115mA,7.5ohm,0.	1	S.A	
...4	Q409	0505-000110	FET-SILICON;2N7002,N,60V,115mA,7.5ohm,0.	1	S.A	
...4	Q409	0505-001170	FET-SILICON;SI9933ADY-T1,P,-20V,3.4A,0.0	1	S.A	
...4	IC104	0801-002095	IC-CMOS LOGIC;74LCX245,TRANSCEIVER,TSSOP	1	S.A	
...4	IC104	0801-002172	IC-CMOS LOGIC;74LCX16244,BUFFER/LINE DRI	1	S.A	
...4	IC104	0801-002172	IC-CMOS LOGIC;74LCX16244,BUFFER/LINE DRI	1	S.A	
...4	IC104	0801-002172	IC-CMOS LOGIC;74LCX16244,BUFFER/LINE DRI	1	S.A	
...4	IC104	0801-002630	IC-CMOS LOGIC;74AHCT1G08,2-INPUT AND GAT	1	S.A	

## 5. Exploded View &amp; Part List

Level	Location No.	Code No.	Description & Specification	Q'ty	SA/SNA	Remark
...4	IC5110	1001-000164	IC-ANALOG MULTIPLEX;74HC4052,CMOS,SOP,16	1	S.A	
...4	IC106	1001-001513	IC-VIDEO SWITCH;TMDS351PAG,TQFP,64P,9x9m	1	S.A	
...4	IC5108	1001-001523	IC-ANALOG MULTIPLEX;74HC4052PW,TSSOP,16P	1	S.A	
...4	IC107	1002-001482	IC-D/A CONVERTER;WM8521H9GED/R,16bit,SOI	1	S.A	
...4	IC2102	1002-001509	IC-A/D&D/A CONVERTER;MT8291,24bit,LQFP,4	1	S.A	
...4	IC110	1006-001076	IC-DRIVER/RECEIVER;MAX232ECWE+T,SOP,16P,	1	S.A	
...4	IC112	1103-000129	IC-EEPROM;24C02,2Kbit,256x8Bit,SOP,8P,5x	1	S.A	
...4	IC112	1103-000129	IC-EEPROM;24C02,2Kbit,256x8Bit,SOP,8P,5x	1	S.A	
...4	IC112	1103-000129	IC-EEPROM;24C02,2Kbit,256x8Bit,SOP,8P,5x	1	S.A	
...4	IC112	1103-000129	IC-EEPROM;24C02,2Kbit,256x8Bit,SOP,8P,5x	1	S.A	
...4	IC112	1103-001385	IC-EEPROM;AT24C256,256Kbit,32Kx8,SOP,8P,	1	S.A	
...4	IC112	1103-001410	IC-EEPROM;S-24CS08AFJ-TB-1GE,8Kbit,1Kx8,	1	S.A	
...4	IC113	1105-001712	IC-DRAM;HYB25D256163CE,DDR,256Mbit,16Mx1	1	S.A	
...4	DU410	1201-000166	IC-OP AMP;LM358,SOP,ST,8P,150MIL,DUAL,10	1	S.A	
...4	T0124	1201-002677	IC-POWER AMP;NTP3100,QFN56,56P,8x8mm,DUA	1	S.A	
...4	T0087	1203-001815	IC-POSI.FIXED REG.;78M09,TO-252,3P,-,PLA	1	S.A	
...4	T0087	1203-002842	IC-POSI.FIXED REG.;AP1117D-33A,TO-252,3P	1	S.A	
...4	T0087	1203-002974	IC-POSI.FIXED REG.;AP1117D-25A,TO-252,3P	1	S.A	
...4	IC012	1203-002995	IC-POSI.ADJUST REG.;AP1117D-A,TO-252,3P,	1	S.A	
...4	IC012	1203-002995	IC-POSI.ADJUST REG.;AP1117D-A,TO-252,3P,	1	S.A	
...4	IC3104	1203-003394	IC-POWER SUPERVISOR;MIC2544-1YM,SOP,8P,4	1	S.A	
...4	IC7206	1203-003394	IC-POWER SUPERVISOR;MIC2544-1YM,SOP,8P,4	1	S.A	
...4	T0087	1203-003696	IC-POSI.FIXED REG.;NCP1117DT18T5G,DPAK,3	1	S.A	
...4	T0087	1203-003696	IC-POSI.FIXED REG.;NCP1117DT18T5G,DPAK,3	1	S.A	
...4	IC5102	1203-004363	IC-VOL. DETECTOR;RT9818C-29PV,SOT-23,3P,	1	S.A	
...4	IC2103	1203-004364	IC-VOL. DETECTOR;RT9818C-42PV,SOT-23,3P,	1	S.A	
...4	IC7402	1203-004364	IC-VOL. DETECTOR;RT9818C-42PV,SOT-23,3P,	1	S.A	
...4	T0087	1203-004816	IC-POSI.FIXED REG.;KIA78D015F,DPAK,3P,6.	1	S.A	
...4	T0170	1203-004868	IC-SWITCH VOL. REG.;MP2363,SOIC,8P,4.9x3	1	S.A	
...4	T0170	1203-004868	IC-SWITCH VOL. REG.;MP2363,SOIC,8P,4.9x3	1	S.A	
...4	IC7001	1204-002861	IC-DECODER;UPD61211GM-104-GAA-A,QFP,216P	1	S.A	
...4	IC118	1204-002869	IC-VIDEO PROCESS;MT8226FJ,BGA,569P,31x31	1	S.A	
...4	D3107	1405-001185	VARISTOR;24Vdc,1.6x0.8x0.36mm,TP	1	S.A	
...4	D3110	1405-001185	VARISTOR;24Vdc,1.6x0.8x0.36mm,TP	1	S.A	
...4	D3113	1405-001185	VARISTOR;24Vdc,1.6x0.8x0.36mm,TP	1	S.A	
...4	D5502	1405-001185	VARISTOR;24Vdc,1.6x0.8x0.36mm,TP	1	S.A	
...4	R110	2007-000029	R-CHIP;0ohm,5%,1/8W,TP,2012	1	S.A	
...4	R110	2007-000029	R-CHIP;0ohm,5%,1/8W,TP,2012	1	S.A	
...4	R110	2007-000040	R-CHIP;150ohm,1%,1/10W,TP,1608	1	S.A	
...4	R110	2007-000052	R-CHIP;10Kohm,1%,1/10W,TP,1608	1	S.A	
...4	R110	2007-000052	R-CHIP;10Kohm,1%,1/10W,TP,1608	1	S.A	
...4	R110	2007-000052	R-CHIP;10Kohm,1%,1/10W,TP,1608	1	S.A	
...4	R110	2007-000052	R-CHIP;10Kohm,1%,1/10W,TP,1608	1	S.A	
...4	R110	2007-000052	R-CHIP;10Kohm,1%,1/10W,TP,1608	1	S.A	
...4	R110	2007-000052	R-CHIP;10Kohm,1%,1/10W,TP,1608	1	S.A	
...4	R110	2007-000052	R-CHIP;10Kohm,1%,1/10W,TP,1608	1	S.A	
...4	R110	2007-000052	R-CHIP;10Kohm,1%,1/10W,TP,1608	1	S.A	
...4	R110	2007-000052	R-CHIP;10Kohm,1%,1/10W,TP,1608	1	S.A	
...4	R110	2007-000052	R-CHIP;10Kohm,1%,1/10W,TP,1608	1	S.A	
...4	R110	2007-000052	R-CHIP;10Kohm,1%,1/10W,TP,1608	1	S.A	
...4	R110	2007-000052	R-CHIP;10Kohm,1%,1/10W,TP,1608	1	S.A	
...4	R110	2007-000052	R-CHIP;10Kohm,1%,1/10W,TP,1608	1	S.A	

























## 5. Exploded View &amp; Part List

Level	Location No.	Code No.	Description & Specification	Q'ty	SA/SNA	Remark
....4	R110	2007-007306	R-CHIP;100ohm,1%,1/16W,TP,1005	1	S.N.A	
....4	R110	2007-007306	R-CHIP;100ohm,1%,1/16W,TP,1005	1	S.N.A	
....4	R110	2007-007318	R-CHIP;1Kohm,1%,1/16W,TP,1005	1	S.N.A	
....4	R110	2007-007318	R-CHIP;1Kohm,1%,1/16W,TP,1005	1	S.N.A	
....4	R110	2007-007318	R-CHIP;1Kohm,1%,1/16W,TP,1005	1	S.N.A	
....4	R110	2007-007698	R-CHIP;5.1Kohm,1%,1/16W,TP,1005	1	S.N.A	
....4	R110	2007-007723	R-CHIP;75Kohm,1%,1/10W,TP,1608	1	S.A	
....4	RA5104	2011-000585	R-NETWORK;47ohm,5%,1/16W,L,CHIP,8P,TP,3.	1	S.A	
....4	RA5105	2011-000585	R-NETWORK;47ohm,5%,1/16W,L,CHIP,8P,TP,3.	1	S.A	
....4	RA5106	2011-000585	R-NETWORK;47ohm,5%,1/16W,L,CHIP,8P,TP,3.	1	S.A	
....4	RA5107	2011-000585	R-NETWORK;47ohm,5%,1/16W,L,CHIP,8P,TP,3.	1	S.A	
....4	RA5108	2011-000585	R-NETWORK;47ohm,5%,1/16W,L,CHIP,8P,TP,3.	1	S.A	
....4	RA5109	2011-000585	R-NETWORK;47ohm,5%,1/16W,L,CHIP,8P,TP,3.	1	S.A	
....4	RA3101	2011-000651	R-NETWORK;10ohm,5%,1/16W,L,CHIP,8P,TP,32	1	S.A	
....4	RA3102	2011-000651	R-NETWORK;10ohm,5%,1/16W,L,CHIP,8P,TP,32	1	S.A	
....4	RA3103	2011-000651	R-NETWORK;10ohm,5%,1/16W,L,CHIP,8P,TP,32	1	S.A	
....4	RA3104	2011-000651	R-NETWORK;10ohm,5%,1/16W,L,CHIP,8P,TP,32	1	S.A	
....4	RA3109	2011-000651	R-NETWORK;10ohm,5%,1/16W,L,CHIP,8P,TP,32	1	S.A	
....4	RA3110	2011-000651	R-NETWORK;10ohm,5%,1/16W,L,CHIP,8P,TP,32	1	S.A	
....4	RA3111	2011-000651	R-NETWORK;10ohm,5%,1/16W,L,CHIP,8P,TP,32	1	S.A	
....4	RA3112	2011-000651	R-NETWORK;10ohm,5%,1/16W,L,CHIP,8P,TP,32	1	S.A	
....4	RA3117	2011-000651	R-NETWORK;10ohm,5%,1/16W,L,CHIP,8P,TP,32	1	S.A	
....4	RA3118	2011-000651	R-NETWORK;10ohm,5%,1/16W,L,CHIP,8P,TP,32	1	S.A	
....4	RA5101	2011-000816	R-NETWORK;100ohm,5%,1/16W,L,CHIP,8P,TP,3	1	S.A	
....4	RA7104	2011-000816	R-NETWORK;100ohm,5%,1/16W,L,CHIP,8P,TP,3	1	S.A	
....4	RA2101	2011-000881	R-NETWORK;33ohm,5%,1/16W,L,CHIP,8P,TP,3.	1	S.A	
....4	RA3115	2011-000881	R-NETWORK;33ohm,5%,1/16W,L,CHIP,8P,TP,3.	1	S.A	
....4	RA3116	2011-000881	R-NETWORK;33ohm,5%,1/16W,L,CHIP,8P,TP,3.	1	S.A	
....4	RA5102	2011-000881	R-NETWORK;33ohm,5%,1/16W,L,CHIP,8P,TP,3.	1	S.A	
....4	RA5103	2011-000881	R-NETWORK;33ohm,5%,1/16W,L,CHIP,8P,TP,3.	1	S.A	
....4	RA7103	2011-000881	R-NETWORK;33ohm,5%,1/16W,L,CHIP,8P,TP,3.	1	S.A	
....4	RA7105	2011-000881	R-NETWORK;33ohm,5%,1/16W,L,CHIP,8P,TP,3.	1	S.A	
....4	RA7107	2011-000881	R-NETWORK;33ohm,5%,1/16W,L,CHIP,8P,TP,3.	1	S.A	
....4	RA7108	2011-000881	R-NETWORK;33ohm,5%,1/16W,L,CHIP,8P,TP,3.	1	S.A	
....4	RA7203	2011-000881	R-NETWORK;33ohm,5%,1/16W,L,CHIP,8P,TP,3.	1	S.A	
....4	RA7204	2011-000881	R-NETWORK;33ohm,5%,1/16W,L,CHIP,8P,TP,3.	1	S.A	
....4	R3337_NSID	2011-001001	R-NETWORK;0ohm,5%,1/16W,L,CHIP,8P,TP,3.2	1	S.A	
....4	R3338_NSID	2011-001001	R-NETWORK;0ohm,5%,1/16W,L,CHIP,8P,TP,3.2	1	S.A	
....4	R3339_NSID	2011-001001	R-NETWORK;0ohm,5%,1/16W,L,CHIP,8P,TP,3.2	1	S.A	
....4	RA5243	2011-001001	R-NETWORK;0ohm,5%,1/16W,L,CHIP,8P,TP,3.2	1	S.A	
....4	RA5244	2011-001001	R-NETWORK;0ohm,5%,1/16W,L,CHIP,8P,TP,3.2	1	S.A	
....4	RA5245	2011-001001	R-NETWORK;0ohm,5%,1/16W,L,CHIP,8P,TP,3.2	1	S.A	
....4	RA5246	2011-001001	R-NETWORK;0ohm,5%,1/16W,L,CHIP,8P,TP,3.2	1	S.A	
....4	RA5247	2011-001001	R-NETWORK;0ohm,5%,1/16W,L,CHIP,8P,TP,3.2	1	S.A	
....4	RA6101	2011-001001	R-NETWORK;0ohm,5%,1/16W,L,CHIP,8P,TP,3.2	1	S.A	
....4	RA6169	2011-001001	R-NETWORK;0ohm,5%,1/16W,L,CHIP,8P,TP,3.2	1	S.A	
....4	RA6170	2011-001001	R-NETWORK;0ohm,5%,1/16W,L,CHIP,8P,TP,3.2	1	S.A	
....4	RA6172	2011-001001	R-NETWORK;0ohm,5%,1/16W,L,CHIP,8P,TP,3.2	1	S.A	
....4	RA6173	2011-001001	R-NETWORK;0ohm,5%,1/16W,L,CHIP,8P,TP,3.2	1	S.A	
....4	RA7009	2011-001011	R-NETWORK;10Kohm,5%,1/16W,L,CHIP,8P,TP,3	1	S.A	
....4	RA7010	2011-001011	R-NETWORK;10Kohm,5%,1/16W,L,CHIP,8P,TP,3	1	S.A	

5. Exploded View & Part List

Level	Location No.	Code No.	Description & Specification	Q'ty	SA/SNA	Remark
...4	RA7011	2011-001011	R-NETWORK;10Kohm,5%,1/16W,L,CHIP,8P,TP,3	1	S.A	
...4	RA7012	2011-001011	R-NETWORK;10Kohm,5%,1/16W,L,CHIP,8P,TP,3	1	S.A	
...4	RA7209	2011-001011	R-NETWORK;10Kohm,5%,1/16W,L,CHIP,8P,TP,3	1	S.A	
...4	RA7001	2011-001087	R-NETWORK;75ohm,5%,1/16W,L,CHIP,8P,TP,3.	1	S.A	
...4	RA7002	2011-001087	R-NETWORK;75ohm,5%,1/16W,L,CHIP,8P,TP,3.	1	S.A	
...4	RA7003	2011-001087	R-NETWORK;75ohm,5%,1/16W,L,CHIP,8P,TP,3.	1	S.A	
...4	RA7004	2011-001087	R-NETWORK;75ohm,5%,1/16W,L,CHIP,8P,TP,3.	1	S.A	
...4	RA7005	2011-001087	R-NETWORK;75ohm,5%,1/16W,L,CHIP,8P,TP,3.	1	S.A	
...4	RA7006	2011-001087	R-NETWORK;75ohm,5%,1/16W,L,CHIP,8P,TP,3.	1	S.A	
...4	RA7007	2011-001087	R-NETWORK;75ohm,5%,1/16W,L,CHIP,8P,TP,3.	1	S.A	
...4	RA7008	2011-001087	R-NETWORK;75ohm,5%,1/16W,L,CHIP,8P,TP,3.	1	S.A	
...4	RA7101	2011-001087	R-NETWORK;75ohm,5%,1/16W,L,CHIP,8P,TP,3.	1	S.A	
...4	RA7205	2011-001087	R-NETWORK;75ohm,5%,1/16W,L,CHIP,8P,TP,3.	1	S.A	
...4	RA7210	2011-001087	R-NETWORK;75ohm,5%,1/16W,L,CHIP,8P,TP,3.	1	S.A	
...4	RA2102	2011-001093	R-NETWORK;100ohm,5%,1/16W,L,CHIP,8P,TP,3	1	S.A	
...4	RA2103	2011-001093	R-NETWORK;100ohm,5%,1/16W,L,CHIP,8P,TP,3	1	S.A	
...4	RA7201	2011-001093	R-NETWORK;100ohm,5%,1/16W,L,CHIP,8P,TP,3	1	S.A	
...4	RA7202	2011-001093	R-NETWORK;100ohm,5%,1/16W,L,CHIP,8P,TP,3	1	S.A	
...4	C120	2203-000206	C-CER,CHIP;100nF,10%,50V,X7R,2012	1	S.A	
...4	C120	2203-000233	C-CER,CHIP;0.1nF,5%,50V,C0G,1005	1	S.A	
...4	C120	2203-000233	C-CER,CHIP;0.1nF,5%,50V,C0G,1005	1	S.A	
...4	C120	2203-000233	C-CER,CHIP;0.1nF,5%,50V,C0G,1005	1	S.A	
...4	C120	2203-000233	C-CER,CHIP;0.1nF,5%,50V,C0G,1005	1	S.A	
...4	C120	2203-000233	C-CER,CHIP;0.1nF,5%,50V,C0G,1005	1	S.A	
...4	C120	2203-000233	C-CER,CHIP;0.1nF,5%,50V,C0G,1005	1	S.A	
...4	C120	2203-000233	C-CER,CHIP;0.1nF,5%,50V,C0G,1005	1	S.A	
...4	C120	2203-000233	C-CER,CHIP;0.1nF,5%,50V,C0G,1005	1	S.A	
...4	C120	2203-000233	C-CER,CHIP;0.1nF,5%,50V,C0G,1005	1	S.A	
...4	C120	2203-000233	C-CER,CHIP;0.1nF,5%,50V,C0G,1005	1	S.A	
...4	C120	2203-000233	C-CER,CHIP;0.1nF,5%,50V,C0G,1005	1	S.A	
...4	C120	2203-000332	C-CER,CHIP;0.012nF,5%,50V,C0G,1608	1	S.A	
...4	C120	2203-000332	C-CER,CHIP;0.012nF,5%,50V,C0G,1608	1	S.A	
...4	C120	2203-000386	C-CER,CHIP;0.015nF,5%,50V,C0G,1005	1	S.A	
...4	C120	2203-000386	C-CER,CHIP;0.015nF,5%,50V,C0G,1005	1	S.A	
...4	C120	2203-000386	C-CER,CHIP;0.015nF,5%,50V,C0G,1005	1	S.A	
...4	C120	2203-000425	C-CER,CHIP;0.018nF,5%,50V,C0G,1005	1	S.A	
...4	C120	2203-000425	C-CER,CHIP;0.018nF,5%,50V,C0G,1005	1	S.A	
...4	C120	2203-000438	C-CER,CHIP;1nF,10%,50V,X7R,1005	1	S.A	
...4	C120	2203-000438	C-CER,CHIP;1nF,10%,50V,X7R,1005	1	S.A	
...4	C120	2203-000438	C-CER,CHIP;1nF,10%,50V,X7R,1005	1	S.A	
...4	C120	2203-000438	C-CER,CHIP;1nF,10%,50V,X7R,1005	1	S.A	
...4	C120	2203-000438	C-CER,CHIP;1nF,10%,50V,X7R,1005	1	S.A	
...4	C120	2203-000438	C-CER,CHIP;1nF,10%,50V,X7R,1005	1	S.A	
...4	C120	2203-000438	C-CER,CHIP;1nF,10%,50V,X7R,1005	1	S.A	
...4	C120	2203-000438	C-CER,CHIP;1nF,10%,50V,X7R,1005	1	S.A	
...4	C120	2203-000438	C-CER,CHIP;1nF,10%,50V,X7R,1005	1	S.A	
...4	C120	2203-000438	C-CER,CHIP;1nF,10%,50V,X7R,1005	1	S.A	
...4	C120	2203-000438	C-CER,CHIP;1nF,10%,50V,X7R,1005	1	S.A	
...4	C120	2203-000438	C-CER,CHIP;1nF,10%,50V,X7R,1005	1	S.A	
...4	C120	2203-000438	C-CER,CHIP;1nF,10%,50V,X7R,1005	1	S.A	
...4	C120	2203-000438	C-CER,CHIP;1nF,10%,50V,X7R,1005	1	S.A	
...4	C120	2203-000438	C-CER,CHIP;1nF,10%,50V,X7R,1005	1	S.A	
...4	C120	2203-000438	C-CER,CHIP;1nF,10%,50V,X7R,1005	1	S.A	
...4	C120	2203-000438	C-CER,CHIP;1nF,10%,50V,X7R,1005	1	S.A	
...4	C120	2203-000438	C-CER,CHIP;1nF,10%,50V,X7R,1005	1	S.A	
...4	C120	2203-000438	C-CER,CHIP;1nF,10%,50V,X7R,1005	1	S.A	

## 5. Exploded View &amp; Part List

Level	Location No.	Code No.	Description & Specification	Q'ty	SA/SNA	Remark
...4	C120	2203-000438	C-CER,CHIP;1nF,10%,50V,X7R,1005	1	S.A	
...4	C120	2203-000489	C-CER,CHIP;2.2nF,10%,50V,X7R,1005	1	S.A	
...4	C120	2203-000489	C-CER,CHIP;2.2nF,10%,50V,X7R,1005	1	S.A	
...4	C120	2203-000489	C-CER,CHIP;2.2nF,10%,50V,X7R,1005	1	S.A	
...4	C120	2203-000489	C-CER,CHIP;2.2nF,10%,50V,X7R,1005	1	S.A	
...4	C120	2203-000489	C-CER,CHIP;2.2nF,10%,50V,X7R,1005	1	S.A	
...4	C120	2203-000550	C-CER,CHIP;0.02nF,5%,50V,C0G,1005	1	S.N.A	
...4	C120	2203-000550	C-CER,CHIP;0.02nF,5%,50V,C0G,1005	1	S.N.A	
...4	C120	2203-000627	C-CER,CHIP;0.022nF,5%,50V,C0G,1005	1	S.N.A	
...4	C120	2203-000627	C-CER,CHIP;0.022nF,5%,50V,C0G,1005	1	S.N.A	
...4	C120	2203-000627	C-CER,CHIP;0.022nF,5%,50V,C0G,1005	1	S.N.A	
...4	C120	2203-000627	C-CER,CHIP;0.022nF,5%,50V,C0G,1005	1	S.N.A	
...4	C120	2203-000714	C-CER,CHIP;3.3nF,10%,50V,X7R,TP,1005,-	1	S.A	
...4	C120	2203-000714	C-CER,CHIP;3.3nF,10%,50V,X7R,TP,1005,-	1	S.A	
...4	C120	2203-000783	C-CER,CHIP;0.33nF,5%,50V,C0G,1608	1	S.A	
...4	C120	2203-000783	C-CER,CHIP;0.33nF,5%,50V,C0G,1608	1	S.A	
...4	C120	2203-000783	C-CER,CHIP;0.33nF,5%,50V,C0G,1608	1	S.A	
...4	C120	2203-000783	C-CER,CHIP;0.33nF,5%,50V,C0G,1608	1	S.A	
...4	C120	2203-000783	C-CER,CHIP;0.33nF,5%,50V,C0G,1608	1	S.A	
...4	C120	2203-000783	C-CER,CHIP;0.33nF,5%,50V,C0G,1608	1	S.A	
...4	C120	2203-000783	C-CER,CHIP;0.33nF,5%,50V,C0G,1608	1	S.A	
...4	C120	2203-000815	C-CER,CHIP;0.033nF,5%,50V,C0G,1608	1	S.A	
...4	C120	2203-000815	C-CER,CHIP;0.033nF,5%,50V,C0G,1608	1	S.A	
...4	C120	2203-000925	C-CER,CHIP;470nF,+80-20%,50V,Y5V,2012	1	S.A	
...4	C120	2203-000925	C-CER,CHIP;470nF,+80-20%,50V,Y5V,2012	1	S.A	
...4	C120	2203-000975	C-CER,CHIP;47nF,10%,25V,X7R,TP,1608,-	1	S.A	
...4	C120	2203-000975	C-CER,CHIP;47nF,10%,25V,X7R,TP,1608,-	1	S.A	
...4	C120	2203-000975	C-CER,CHIP;47nF,10%,25V,X7R,TP,1608,-	1	S.A	
...4	C120	2203-000975	C-CER,CHIP;47nF,10%,25V,X7R,TP,1608,-	1	S.A	
...4	C120	2203-000975	C-CER,CHIP;47nF,10%,25V,X7R,TP,1608,-	1	S.A	
...4	C120	2203-000975	C-CER,CHIP;47nF,10%,25V,X7R,TP,1608,-	1	S.A	
...4	C120	2203-000975	C-CER,CHIP;47nF,10%,25V,X7R,TP,1608,-	1	S.A	
...4	C120	2203-000975	C-CER,CHIP;47nF,10%,25V,X7R,TP,1608,-	1	S.A	
...4	C120	2203-000975	C-CER,CHIP;47nF,10%,25V,X7R,TP,1608,-	1	S.A	
...4	C120	2203-000998	C-CER,CHIP;0.047nF,5%,50V,C0G,1608	1	S.A	
...4	C120	2203-000998	C-CER,CHIP;0.047nF,5%,50V,C0G,1608	1	S.A	
...4	C120	2203-000998	C-CER,CHIP;0.047nF,5%,50V,C0G,1608	1	S.A	
...4	C120	2203-000998	C-CER,CHIP;0.047nF,5%,50V,C0G,1608	1	S.A	
...4	C120	2203-000998	C-CER,CHIP;0.047nF,5%,50V,C0G,1608	1	S.A	
...4	C120	2203-000998	C-CER,CHIP;0.047nF,5%,50V,C0G,1608	1	S.A	
...4	C120	2203-001153	C-CER,CHIP;0.068nF,5%,50V,NP0,1005	1	S.A	
...4	C120	2203-001153	C-CER,CHIP;0.068nF,5%,50V,NP0,1005	1	S.A	
...4	C120	2203-001153	C-CER,CHIP;0.068nF,5%,50V,NP0,1005	1	S.A	
...4	C120	2203-001153	C-CER,CHIP;0.068nF,5%,50V,NP0,1005	1	S.A	
...4	C120	2203-001153	C-CER,CHIP;0.068nF,5%,50V,NP0,1005	1	S.A	
...4	C120	2203-001153	C-CER,CHIP;0.068nF,5%,50V,NP0,1005	1	S.A	
...4	C120	2203-001153	C-CER,CHIP;0.068nF,5%,50V,NP0,1005	1	S.A	
...4	C120	2203-001630	C-CER,CHIP;330nF,+80-20%,16V,Y5V,1608	1	S.A	
...4	C120	2203-001630	C-CER,CHIP;330nF,+80-20%,16V,Y5V,1608	1	S.A	
...4	C120	2203-002398	C-CER,CHIP;22nF,10%,50V,X7R,1608	1	S.A	
...4	C120	2203-002398	C-CER,CHIP;22nF,10%,50V,X7R,1608	1	S.A	
...4	C120	2203-002398	C-CER,CHIP;22nF,10%,50V,X7R,1608	1	S.A	
...4	C120	2203-002398	C-CER,CHIP;22nF,10%,50V,X7R,1608	1	S.A	
...4	C120	2203-002687	C-CER,CHIP;1.2nF,10%,50V,X7R,TP,1005	1	S.A	













## 5. Exploded View &amp; Part List

Level	Location No.	Code No.	Description & Specification	Q'ty	SA/SNA	Remark
....4	C120	2203-006681	C-CER,CHIP;100nF,+80-20%,25V,Y5V,1005	1	S.N.A	
....4	C120	2203-006681	C-CER,CHIP;100nF,+80-20%,25V,Y5V,1005	1	S.N.A	
....4	C120	2203-006681	C-CER,CHIP;100nF,+80-20%,25V,Y5V,1005	1	S.N.A	
....4	C120	2203-006681	C-CER,CHIP;100nF,+80-20%,25V,Y5V,1005	1	S.N.A	
....4	C120	2203-006681	C-CER,CHIP;100nF,+80-20%,25V,Y5V,1005	1	S.N.A	
....4	C120	2203-006681	C-CER,CHIP;100nF,+80-20%,25V,Y5V,1005	1	S.N.A	
....4	C120	2203-006681	C-CER,CHIP;100nF,+80-20%,25V,Y5V,1005	1	S.N.A	
....4	C120	2203-006681	C-CER,CHIP;100nF,+80-20%,25V,Y5V,1005	1	S.N.A	
....4	C120	2203-006681	C-CER,CHIP;100nF,+80-20%,25V,Y5V,1005	1	S.N.A	
....4	C120	2203-006681	C-CER,CHIP;100nF,+80-20%,25V,Y5V,1005	1	S.N.A	
....4	C120	2203-006681	C-CER,CHIP;100nF,+80-20%,25V,Y5V,1005	1	S.N.A	
....4	C120	2203-006681	C-CER,CHIP;100nF,+80-20%,25V,Y5V,1005	1	S.N.A	
....4	C120	2203-006681	C-CER,CHIP;100nF,+80-20%,25V,Y5V,1005	1	S.N.A	
....4	C120	2203-006681	C-CER,CHIP;100nF,+80-20%,25V,Y5V,1005	1	S.N.A	
....4	C120	2203-006681	C-CER,CHIP;100nF,+80-20%,25V,Y5V,1005	1	S.N.A	
....4	C120	2203-006681	C-CER,CHIP;100nF,+80-20%,25V,Y5V,1005	1	S.N.A	
....4	C120	2203-006681	C-CER,CHIP;100nF,+80-20%,25V,Y5V,1005	1	S.N.A	
....4	C120	2203-006681	C-CER,CHIP;100nF,+80-20%,25V,Y5V,1005	1	S.N.A	
....4	C120	2203-006681	C-CER,CHIP;100nF,+80-20%,25V,Y5V,1005	1	S.N.A	
....4	C120	2203-006681	C-CER,CHIP;100nF,+80-20%,25V,Y5V,1005	1	S.N.A	
....4	C120	2203-006681	C-CER,CHIP;100nF,+80-20%,25V,Y5V,1005	1	S.N.A	
....4	C120	2203-006681	C-CER,CHIP;100nF,+80-20%,25V,Y5V,1005	1	S.N.A	
....4	C120	2203-006681	C-CER,CHIP;100nF,+80-20%,25V,Y5V,1005	1	S.N.A	
....4	C120	2203-006681	C-CER,CHIP;100nF,+80-20%,25V,Y5V,1005	1	S.N.A	
....4	C120	2203-006681	C-CER,CHIP;100nF,+80-20%,25V,Y5V,1005	1	S.N.A	
....4	C120	2203-006681	C-CER,CHIP;100nF,+80-20%,25V,Y5V,1005	1	S.N.A	
....4	C120	2203-006681	C-CER,CHIP;100nF,+80-20%,25V,Y5V,1005	1	S.N.A	
....4	C120	2203-006681	C-CER,CHIP;100nF,+80-20%,25V,Y5V,1005	1	S.N.A	
....4	C120	2203-006681	C-CER,CHIP;100nF,+80-20%,25V,Y5V,1005	1	S.N.A	
....4	C120	2203-006681	C-CER,CHIP;100nF,+80-20%,25V,Y5V,1005	1	S.N.A	
....4	C120	2203-006681	C-CER,CHIP;100nF,+80-20%,25V,Y5V,1005	1	S.N.A	
....4	C120	2203-006681	C-CER,CHIP;100nF,+80-20%,25V,Y5V,1005	1	S.N.A	
....4	C120	2203-006681	C-CER,CHIP;100nF,+80-20%,25V,Y5V,1005	1	S.N.A	
....4	C120	2203-006681	C-CER,CHIP;100nF,+80-20%,25V,Y5V,1005	1	S.N.A	
....4	C120	2203-006681	C-CER,CHIP;100nF,+80-20%,25V,Y5V,1005	1	S.N.A	
....4	C120	2203-006681	C-CER,CHIP;100nF,+80-20%,25V,Y5V,1005	1	S.N.A	
....4	C120	2203-006681	C-CER,CHIP;100nF,+80-20%,25V,Y5V,1005	1	S.N.A	
....4	C120	2203-006992	C-CER,CHIP;0.33nF,5%,50V,C0G,1005	1	S.N.A	
....4	C1120	2402-001128	C-AL,SMD;100##F,20%,16V,-,TP,6.3X5.7mm	1	S.A	
....4	C1121	2402-001128	C-AL,SMD;100##F,20%,16V,-,TP,6.3X5.7mm	1	S.A	
....4	C2139	2402-001128	C-AL,SMD;100##F,20%,16V,-,TP,6.3X5.7mm	1	S.A	
....4	C2140	2402-001128	C-AL,SMD;100##F,20%,16V,-,TP,6.3X5.7mm	1	S.A	
....4	C3170	2402-001128	C-AL,SMD;100##F,20%,16V,-,TP,6.3X5.7mm	1	S.A	
....4	C3189	2402-001129	C-AL,SMD;47UF,20%,16V,WT,TP,6.3X5.2MM	1	S.A	
....4	C1163	2402-001210	C-POLYMER AL CHIP;100uF,20%,10V,WT,TP,7.	1	S.A	
....4	C1169	2402-001210	C-POLYMER AL CHIP;100uF,20%,10V,WT,TP,7.	1	S.A	
....4	C5120	2402-001210	C-POLYMER AL CHIP;100uF,20%,10V,WT,TP,7.	1	S.A	
....4	C5355	2402-001210	C-POLYMER AL CHIP;100uF,20%,10V,WT,TP,7.	1	S.A	
....4	C1140	2409-001118	C-POLYMER ,CHIP;47uF,+20,10V,WT,REEL,3.	1	S.A	
....4	C1351	2409-001118	C-POLYMER ,CHIP;47uF,+20,10V,WT,REEL,3.	1	S.A	
....4	C5521	2409-001118	C-POLYMER ,CHIP;47uF,+20,10V,WT,REEL,3.	1	S.A	
....4	C5522	2409-001118	C-POLYMER ,CHIP;47uF,+20,10V,WT,REEL,3.	1	S.A	
....4	T0052	2703-000398	INDUCTOR-SMD;10uH,10%,3225	1	S.A	
....4	T0052	2703-000398	INDUCTOR-SMD;10uH,10%,3225	1	S.A	
....4	T0052	2703-000417	INDUCTOR-SMD;220uH,5%,3225	1	S.A	
....4	T0052	2703-001334	INDUCTOR-SMD;1.5uH,10%,2012	1	S.A	
....4	T0052	2703-001334	INDUCTOR-SMD;1.5uH,10%,2012	1	S.A	
....4	T0052	2703-001334	INDUCTOR-SMD;1.5uH,10%,2012	1	S.A	
....4	T0052	2703-001334	INDUCTOR-SMD;1.5uH,10%,2012	1	S.A	
....4	T0052	2703-001426	INDUCTOR-SMD;680uH,20%,7070	1	S.A	
....4	T0052	2703-002722	INDUCTOR-SMD;22uH,20%,12x12mm	1	S.A	
....4	T0052	2703-002722	INDUCTOR-SMD;22uH,20%,12x12mm	1	S.A	
....4	L2101	2704-000018	INDUCTOR-SMD-ARRAY;15uH,2000mA,2,0.124oh	1	S.N.A	
....4	L2102	2704-000018	INDUCTOR-SMD-ARRAY;15uH,2000mA,2,0.124oh	1	S.N.A	
....4	X202	2801-003326	CRYSTAL-SMD;24MHZ,30PPM,28-ABX,20PF,50OH	1	S.A	
....4	X202	2801-003954	CRYSTAL-SMD;27MHZ,30ppm,28-AAN,16pF,50oh	1	S.A	



## 5. Exploded View &amp; Part List

Level	Location No.	Code No.	Description & Specification	Q'ty	SA/SNA	Remark
....4	T0568	3301-001569	BEAD-SMD;600ohm,2012,1000mA,TP,520ohm/90	1	S.N.A	
....4	T0568	3301-001569	BEAD-SMD;600ohm,2012,1000mA,TP,520ohm/90	1	S.N.A	
....4	T0568	3301-001569	BEAD-SMD;600ohm,2012,1000mA,TP,520ohm/90	1	S.N.A	
....4	T0568	3301-001569	BEAD-SMD;600ohm,2012,1000mA,TP,520ohm/90	1	S.N.A	
....4	T0568	3301-001569	BEAD-SMD;600ohm,2012,1000mA,TP,520ohm/90	1	S.N.A	
....4	T0568	3301-001569	BEAD-SMD;600ohm,2012,1000mA,TP,520ohm/90	1	S.N.A	
....4	T0568	3301-001569	BEAD-SMD;600ohm,2012,1000mA,TP,520ohm/90	1	S.N.A	
....4	T0568	3301-001569	BEAD-SMD;600ohm,2012,1000mA,TP,520ohm/90	1	S.N.A	
....4	T0568	3301-001569	BEAD-SMD;600ohm,2012,1000mA,TP,520ohm/90	1	S.N.A	
....4	T0568	3301-001569	BEAD-SMD;600ohm,2012,1000mA,TP,520ohm/90	1	S.N.A	
....4	T0568	3301-001569	BEAD-SMD;600ohm,2012,1000mA,TP,520ohm/90	1	S.N.A	
....4	T0568	3301-001569	BEAD-SMD;600ohm,2012,1000mA,TP,520ohm/90	1	S.N.A	
....4	T0568	3301-001569	BEAD-SMD;600ohm,2012,1000mA,TP,520ohm/90	1	S.N.A	
....4	T0568	3301-001569	BEAD-SMD;600ohm,2012,1000mA,TP,520ohm/90	1	S.N.A	
....4	JA3102	3701-001367	CONNECTOR-HDMI;19P,2R,FEMALE,SMD,AU	1	S.A	
....4	JA3103	3701-001367	CONNECTOR-HDMI;19P,2R,FEMALE,SMD,AU	1	S.A	
....4	M0018	BN97-02049A	ASSY MICOM;T-PRLPEUMD,N46A,2007.11.26,11	1	S.N.A	
....5	IC115	1107-001415	IC-FLASH MEMORY;29W320D,4Mx8/2Mx16Bit,TS	1	S.N.A	
....4	M0018	BN97-02049B	ASSY MICOM;T-PRLPEUS,N46A,2007.11.26,090	1	S.N.A	
....5	IC520	0903-001552	IC-MICROCONTROLLER;WT61P8-RG480WT,LQFP,4	1	S.A	
....4	IC104	0801-002432	IC-CMOS LOGIC;74LVC244,8BIT BUFFER/DRIVE	1	S.N.A	
....4	IC104	0801-003239	IC-CMOS LOGIC;74LVC1G00,2-input NAND Gat	1	S.A	
....4	IC104	0801-003239	IC-CMOS LOGIC;74LVC1G00,2-input NAND Gat	1	S.A	
....4	C120	2203-007176	C-CER,CHIP;10000nF,10%,16V,X5R,TP,2012 (	1	S.N.A	
....4	C120	2203-007176	C-CER,CHIP;10000nF,10%,16V,X5R,TP,2012 (	1	S.N.A	
....4	C120	2203-007176	C-CER,CHIP;10000nF,10%,16V,X5R,TP,2012 (	1	S.N.A	
....4	C120	2203-007176	C-CER,CHIP;10000nF,10%,16V,X5R,TP,2012 (	1	S.N.A	
....4	C120	2203-007176	C-CER,CHIP;10000nF,10%,16V,X5R,TP,2012 (	1	S.N.A	
....4	C120	2203-007176	C-CER,CHIP;10000nF,10%,16V,X5R,TP,2012 (	1	S.N.A	
....4	C120	2203-007176	C-CER,CHIP;10000nF,10%,16V,X5R,TP,2012 (	1	S.N.A	
....4	C120	2203-007176	C-CER,CHIP;10000nF,10%,16V,X5R,TP,2012 (	1	S.N.A	
....4	C120	2203-007176	C-CER,CHIP;10000nF,10%,16V,X5R,TP,2012 (	1	S.N.A	
....4	C120	2203-007176	C-CER,CHIP;10000nF,10%,16V,X5R,TP,2012 (	1	S.N.A	
....4	C120	2203-007176	C-CER,CHIP;10000nF,10%,16V,X5R,TP,2012 (	1	S.N.A	
....4	R110	2007-000104	R-CHIP;150Kohm,5%,1/10W,TP,1608	1	S.A	
....4	D5101	0403-000584	DIODE-ZENER;VLZ3V6B,3.6/3.845V,500mW,SOD	1	S.N.A	
....4	D3141	0403-000771	DIODE-ZENER;VLZ6V2B,5.96-6.27V,500mW,SOD	1	S.A	
....4	D3156	0403-000771	DIODE-ZENER;VLZ6V2B,5.96-6.27V,500mW,SOD	1	S.A	
....4	D3191	0403-000771	DIODE-ZENER;VLZ6V2B,5.96-6.27V,500mW,SOD	1	S.A	
....4	Q2101	0501-000669	TR-SMALL SIGNAL;KTA1505Y,PNP,150mW,SOT-2	1	S.A	
....4	Q2103	0501-000669	TR-SMALL SIGNAL;KTA1505Y,PNP,150mW,SOT-2	1	S.A	
....4	Q3104	0501-000669	TR-SMALL SIGNAL;KTA1505Y,PNP,150mW,SOT-2	1	S.A	
....4	Q3109	0501-000669	TR-SMALL SIGNAL;KTA1505Y,PNP,150mW,SOT-2	1	S.A	
....4	IC5104	1105-001862	IC-DDR2 SDRAM;K4T56163QI-ZCF7,DDR2 SDRAM	1	S.A	
....4	IC5106	1105-001862	IC-DDR2 SDRAM;K4T56163QI-ZCF7,DDR2 SDRAM	1	S.A	
....4	IC118	1204-002779	IC-VIDEO PROCESS;S4LF122X01,PBGA,208P,17	1	S.A	
....4	R110	2007-000067	R-CHIP;15Kohm,1%,1/10W,TP,1608	1	S.A	
....4	R110	2007-000591	R-CHIP;22ohm,1%,1/10W,TP,1608	1	S.A	
....4	R110	2007-000606	R-CHIP;240ohm,1%,1/10W,TP,1608	1	S.A	
....4	R110	2007-000763	R-CHIP;330ohm,1%,1/10W,TP,1608	1	S.A	
....4	R110	2007-000828	R-CHIP;39Kohm,1%,1/10W,TP,1608	1	S.A	
....4	R110	2007-000999	R-CHIP;510ohm,1%,1/10W,TP,1608	1	S.A	
....4	R110	2007-007297	R-CHIP;110ohm,1%,1/10W,TP,1608	1	S.A	



Level	Location No.	Code No.	Description & Specification	Q'ty	SA/SNA	Remark
...4	C120	2203-002285	C-CER,CHIP;10nF,10%,50V,X7R,1005	1	S.N.A	
...4	C120	2203-002285	C-CER,CHIP;10nF,10%,50V,X7R,1005	1	S.N.A	
...4	C120	2203-002285	C-CER,CHIP;10nF,10%,50V,X7R,1005	1	S.N.A	
...4	C120	2203-002285	C-CER,CHIP;10nF,10%,50V,X7R,1005	1	S.N.A	
...4	C120	2203-002285	C-CER,CHIP;10nF,10%,50V,X7R,1005	1	S.N.A	
...4	C120	2203-002285	C-CER,CHIP;10nF,10%,50V,X7R,1005	1	S.N.A	
...4	C120	2203-002285	C-CER,CHIP;10nF,10%,50V,X7R,1005	1	S.N.A	
...4	C120	2203-002285	C-CER,CHIP;10nF,10%,50V,X7R,1005	1	S.N.A	
...4	C120	2203-002285	C-CER,CHIP;10nF,10%,50V,X7R,1005	1	S.N.A	
...4	C120	2203-002285	C-CER,CHIP;10nF,10%,50V,X7R,1005	1	S.N.A	
...4	C120	2203-002285	C-CER,CHIP;10nF,10%,50V,X7R,1005	1	S.N.A	
...4	C120	2203-002285	C-CER,CHIP;10nF,10%,50V,X7R,1005	1	S.N.A	
...4	C120	2203-002285	C-CER,CHIP;10nF,10%,50V,X7R,1005	1	S.N.A	
...4	C120	2203-002285	C-CER,CHIP;10nF,10%,50V,X7R,1005	1	S.N.A	
...4	C120	2203-002285	C-CER,CHIP;10nF,10%,50V,X7R,1005	1	S.N.A	
...4	C120	2203-002285	C-CER,CHIP;10nF,10%,50V,X7R,1005	1	S.N.A	
...4	C120	2203-002285	C-CER,CHIP;10nF,10%,50V,X7R,1005	1	S.N.A	
...4	C120	2203-002285	C-CER,CHIP;10nF,10%,50V,X7R,1005	1	S.N.A	
...4	C120	2203-002285	C-CER,CHIP;10nF,10%,50V,X7R,1005	1	S.N.A	
...4	C120	2203-002285	C-CER,CHIP;10nF,10%,50V,X7R,1005	1	S.N.A	
...4	C120	2203-002285	C-CER,CHIP;10nF,10%,50V,X7R,1005	1	S.N.A	
...4	C120	2203-002285	C-CER,CHIP;10nF,10%,50V,X7R,1005	1	S.N.A	
...4	C120	2203-002285	C-CER,CHIP;10nF,10%,50V,X7R,1005	1	S.N.A	
...4	C120	2203-002285	C-CER,CHIP;10nF,10%,50V,X7R,1005	1	S.N.A	
...4	C120	2203-002285	C-CER,CHIP;10nF,10%,50V,X7R,1005	1	S.N.A	
...4	C120	2203-002285	C-CER,CHIP;10nF,10%,50V,X7R,1005	1	S.N.A	
...4	C120	2203-002285	C-CER,CHIP;10nF,10%,50V,X7R,1005	1	S.N.A	
...4	C120	2203-002285	C-CER,CHIP;10nF,10%,50V,X7R,1005	1	S.N.A	
...4	C120	2203-006562	C-CER,CHIP;1000nF,10%,10V,X5R,1005	1	S.N.A	
...4	C120	2203-006562	C-CER,CHIP;1000nF,10%,10V,X5R,1005	1	S.N.A	
...4	C120	2203-006562	C-CER,CHIP;1000nF,10%,10V,X5R,1005	1	S.N.A	
...4	C120	2203-006562	C-CER,CHIP;1000nF,10%,10V,X5R,1005	1	S.N.A	
...4	C120	2203-006562	C-CER,CHIP;1000nF,10%,10V,X5R,1005	1	S.N.A	
...4	C120	2203-006562	C-CER,CHIP;1000nF,10%,10V,X5R,1005	1	S.N.A	
...4	C120	2203-006562	C-CER,CHIP;1000nF,10%,10V,X5R,1005	1	S.N.A	
...4	C120	2203-006562	C-CER,CHIP;1000nF,10%,10V,X5R,1005	1	S.N.A	
...4	C120	2203-006562	C-CER,CHIP;1000nF,10%,10V,X5R,1005	1	S.N.A	
...4	C120	2203-006562	C-CER,CHIP;1000nF,10%,10V,X5R,1005	1	S.N.A	
...4	C120	2203-006562	C-CER,CHIP;1000nF,10%,10V,X5R,1005	1	S.N.A	
...4	C120	2203-006562	C-CER,CHIP;1000nF,10%,10V,X5R,1005	1	S.N.A	
...4	C120	2203-006562	C-CER,CHIP;1000nF,10%,10V,X5R,1005	1	S.N.A	
...4	C120	2203-006562	C-CER,CHIP;1000nF,10%,10V,X5R,1005	1	S.N.A	
...4	C120	2203-006562	C-CER,CHIP;1000nF,10%,10V,X5R,1005	1	S.N.A	
...4	C120	2203-006562	C-CER,CHIP;1000nF,10%,10V,X5R,1005	1	S.N.A	
...4	C120	2203-006562	C-CER,CHIP;1000nF,10%,10V,X5R,1005	1	S.N.A	
...4	C120	2203-006562	C-CER,CHIP;1000nF,10%,10V,X5R,1005	1	S.N.A	
...4	C120	2203-006562	C-CER,CHIP;1000nF,10%,10V,X5R,1005	1	S.N.A	
...4	C120	2203-006562	C-CER,CHIP;1000nF,10%,10V,X5R,1005	1	S.N.A	
...4	CN330	3711-006374	HEADER-BOARD TO CABLE;BOX,41P,2R,1.25mm,	1	S.A	
...4	IC012	1203-005218	IC-POSI.ADJUST REG.;AP1086DL,TO-252,3P,6	1	S.A	
...4	R110	2007-000070	R-CHIP;0ohm,5%,1/10W,TP,1608	1	S.A	
...4	R110	2007-000070	R-CHIP;0ohm,5%,1/10W,TP,1608	1	S.A	
...4	R110	2007-000070	R-CHIP;0ohm,5%,1/10W,TP,1608	1	S.A	
...4	R110	2007-000070	R-CHIP;0ohm,5%,1/10W,TP,1608	1	S.A	
...4	R110	2007-000070	R-CHIP;0ohm,5%,1/10W,TP,1608	1	S.A	
...4	R110	2007-000074	R-CHIP;100ohm,5%,1/10W,TP,1608	1	S.A	
...4	R110	2007-007001	R-CHIP;3.9Kohm,5%,1/16W,TP,1005	1	S.A	
...4	C120	2203-000440	C-CER,CHIP;1nF,10%,50V,X7R,1608	1	S.A	
...4	C120	2203-000440	C-CER,CHIP;1nF,10%,50V,X7R,1608	1	S.A	
...4	C6151_OP	2402-001259	C-AL,SMD;220uF,20%,16V,WT,REEL,8X10	1	S.A	
...4	C2160	2402-001273	C-AL,SMD;220uF,20%,35V,WT,REEL,10X10mm	1	S.A	

5. Exploded View & Part List

Level	Location No.	Code No.	Description & Specification	Q'ty	SA/SNA	Remark
...4	IC104	0801-002633	IC-CMOS LOGIC;7WBD3125,2bit BUS SWITCH,S	1	S.A	
...4	IC104	0801-002633	IC-CMOS LOGIC;7WBD3125,2bit BUS SWITCH,S	1	S.A	
...4	IC104	0801-002633	IC-CMOS LOGIC;7WBD3125,2bit BUS SWITCH,S	1	S.A	
...4	IC104	0801-002633	IC-CMOS LOGIC;7WBD3125,2bit BUS SWITCH,S	1	S.A	
...4	R110	2007-002425	R-CHIP;1ohm,5%,1/10W,TP,1608	1	S.A	
...4	R110	2007-002425	R-CHIP;1ohm,5%,1/10W,TP,1608	1	S.A	
...4	R110	2007-002425	R-CHIP;1ohm,5%,1/10W,TP,1608	1	S.A	
...4	R110	2007-002425	R-CHIP;1ohm,5%,1/10W,TP,1608	1	S.A	
...4	R110	2007-002425	R-CHIP;1ohm,5%,1/10W,TP,1608	1	S.A	
...4	R110	2007-002425	R-CHIP;1ohm,5%,1/10W,TP,1608	1	S.A	
...4	R110	2007-002425	R-CHIP;1ohm,5%,1/10W,TP,1608	1	S.A	
...4	C1207	2402-001238	C-AL,SMD;1uF,20%,50V,HR,TP,4.3x4.3x5.2mm	1	S.A	
...4	D0254	0404-001307	DIODE-SCHOTTKY;SSC54,20V,5000mA,DO-214AB	1	S.A	
...4	R110	2007-000033	R-CHIP;0ohm,5%,1/4W,TP,3216	1	S.A	
...4	R110	2007-000033	R-CHIP;0ohm,5%,1/4W,TP,3216	1	S.A	
...4	R110	2007-000033	R-CHIP;0ohm,5%,1/4W,TP,3216	1	S.A	
...4	R110	2007-000033	R-CHIP;0ohm,5%,1/4W,TP,3216	1	S.A	
...4	R110	2007-000312	R-CHIP;10ohm,5%,1/4W,TP,3216	1	S.A	
...4	R110	2007-000312	R-CHIP;10ohm,5%,1/4W,TP,3216	1	S.A	
...4	D2107	0403-000002	DIODE-ZENER;VLZ5V6B,5.45/5.73V,500mW,SOD	1	S.A	
...4	D3115	0403-000002	DIODE-ZENER;VLZ5V6B,5.45/5.73V,500mW,SOD	1	S.A	
...4	D3125	0403-000002	DIODE-ZENER;VLZ5V6B,5.45/5.73V,500mW,SOD	1	S.A	
...4	D3126	0403-000002	DIODE-ZENER;VLZ5V6B,5.45/5.73V,500mW,SOD	1	S.A	
...4	D3129	0403-000002	DIODE-ZENER;VLZ5V6B,5.45/5.73V,500mW,SOD	1	S.A	
...4	D3132	0403-000002	DIODE-ZENER;VLZ5V6B,5.45/5.73V,500mW,SOD	1	S.A	
...4	D3134	0403-000002	DIODE-ZENER;VLZ5V6B,5.45/5.73V,500mW,SOD	1	S.A	
...4	D3137	0403-000002	DIODE-ZENER;VLZ5V6B,5.45/5.73V,500mW,SOD	1	S.A	
...4	D3148	0403-000002	DIODE-ZENER;VLZ5V6B,5.45/5.73V,500mW,SOD	1	S.A	
...4	D3186_NSID	0403-000002	DIODE-ZENER;VLZ5V6B,5.45/5.73V,500mW,SOD	1	S.A	
...4	D3205	0403-000002	DIODE-ZENER;VLZ5V6B,5.45/5.73V,500mW,SOD	1	S.A	
...4	D5103	0403-000002	DIODE-ZENER;VLZ5V6B,5.45/5.73V,500mW,SOD	1	S.A	
...4	T0077	BN41-00974B	PCB MAIN;Amber,FR-4,4,1.0,1.6,192*240,N4	1	S.N.A	
...4	M0018	BN97-02084A	ASSY MICOM;T-PERLDEUC-0010,N50A,2007.12.	1	S.N.A	
....5	IC115	1107-001415	IC-FLASH MEMORY;29W320D,4Mx8/2Mx16Bit,TS	1	S.N.A	
...3	JA333	3722-002690	JACK-PIN;3P,Ni,RED/WHT/YEL,ANGLE	1	S.A	
...3	HDCP	BN97-00688B	ASSY HDCP;MT8202 IC HDCP Key'	1	S.N.A	
...4		BN46-00018A	KEY CODE-CERTIFICATE;(HDCP KEY)PPM42M5S,	1	S.N.A	
...3	JA3202	3722-002681	JACK-SCART;42P,SN,BLK	1	S.A	
...3	T0245	0202-001492	SOLDER-WIRE FLUX;HSE-02 LFM48 SR-34 S,-,	1.25	S.N.A	
...3	T0603	BN63-04510A	SHIELD-PCB MAIN;PEARL32, EO, TOP, SPTE, T0.	1	S.N.A	
...3	T0603	BN63-04512A	SHIELD-PCB MAIN;PEARL32,EO,BOT,SPTE T0.3	1	S.N.A	
...3	SUB09_MTK	BN73-00024E	SILICON/RUBBER-GAPPAD;EDISON 24,SILICON+	1	S.N.A	
...3	SUB10_FBE	BN73-00176B	SILICON/RUBBER-GAPPAD;EDISON 24,SILICON+	1	S.N.A	
...3	M0131	BN63-03549A	GASKET;BORDEAUX PLUS,Conductive Fabric,1	2	S.N.A	
...3	JA333	3722-002360	JACK-PIN;3P,AU,GRN/BLU/RED,STRAIGHT	1	S.A	
...3	JA333	3722-002362	JACK-PIN;2P,Sn,WHT/RED,STRAIGHT	1	S.A	
...3	JA333	3722-002362	JACK-PIN;2P,Sn,WHT/RED,STRAIGHT	1	S.A	
...3	JA333	3722-002362	JACK-PIN;2P,Sn,WHT/RED,STRAIGHT	1	S.A	
0.1	M0003	BN92-03224G	ASSY BOX;37L530,EO(iDTV),P4	1	S.N.A	
..2	M0521	BN69-02293A	BOX-SET,IN;L450-37,CB,C-01,DY-01,AB,W139	1	S.N.A	
..2		BN69-02679A	BOX-SET,OUT;37L550P4,CB,C-03,DW-75,YEL,W	1	S.N.A	

## 5. Exploded View &amp; Part List

Level	Location No.	Code No.	Description & Specification	Q'ty	SA/SNA	Remark
0.1	M0113	BN92-03229A	ASSY P/MATERIAL;37L530,W/W,,,	1	S.N.A	
..2	T0524	6902-000524	BAG PE;HDPE/NITRON,T0.015/T0.5,W1200,L11	1	S.N.A	
..2	T0214	BN74-00008A	TAPE-OPP MASKING;OPP-2,T0.05,W100,L800M,	1.2	S.N.A	
..2	T0081	HA83-00057A	LP-TAPE-CELLULOSE;;HA02-030011,T0,046,W7	1	S.N.A	
..2	T0214	AA61-20285C	HOLDER-BOX;CORAL,PP,BLACK,HB	4	S.N.A	
0.1	M0019	BN92-03261E	ASSY LABEL;LE37A557P2FX*	1	S.N.A	
0.1	M0045	BN92-03267E	ASSY ACCESSORY;LE37A558P3FXXC	1	S.A	
..2	T0268	3903-000145	CBF-POWER CORD;DT,EU,FP3/YES,U(IEC C13-R	1	S.A	
..2		AA68-03242K	MANUAL FLYER-02,SAFETY GUIDE;comm,Samsun	1	S.N.A	
..2		AA68-03575A	MANUAL FLYER-02,REGISTRATION C;XEU,ENG,U	1	S.N.A	
..2		AA68-03575B	MANUAL FLYER-02,REGISTRATION C;XEG,GERMA	1	S.N.A	
..2		AA68-03575C	MANUAL FLYER-02,REGISTRATION C;XEF,FRENC	1	S.N.A	
..2		AA68-03575D	MANUAL FLYER-03,REGISTRATION C;XEC,SPANI	1	S.N.A	
..2		AA68-03575E	MANUAL FLYER-04,REGISTRATION C;XET,ITALY	1	S.N.A	
..2		AA68-03575F	MANUAL FLYER-02,REGISTRATION C;XEN,DUTCH	1	S.N.A	
..2		AA68-03575G	MANUAL FLYER-02,REGISTRATION C;XEP,PORTU	1	S.N.A	
..2	T0074	BN59-00683A	REMOCON;TM-96B,49,EUROPE_DTV-550	1	S.A	
..2		BN63-01798A	CLOTH-CLEAN;RE40**,CLOTH,180,200,RHCM	1	S.N.A	
..2	T0531	BN63-04437A	COVER-BOTTOM;37,40L550,P2,P3,P4,HIPS,-,-	1	S.N.A	
..2	T0175	BN68-00514E	MANUAL FLYER-01,WARRANTY CARD;comm,Samsu	1	S.N.A	
..2	T0511	BN68-01409A	MANUAL USERS;COMM,SAMSUNG,8Language,W.Eu	1	S.N.A	
..2	T0091	HA83-00047A	LP-TAPEACETATE;T0.1MM,W20MM,L200MM	0.1	S.N.A	
0.1		BN91-02024C	ASSY SHIELD-AAD;LE37A558P3FX*,N46A	1	S.N.A	
..2	M0081	6003-000115	SCREW-TAPTITE;BH,+,B,M3,L6,ZPC(BLK),SWRC	6	S.A	
..2	M0081	6003-000115	SCREW-TAPTITE;BH,+,B,M3,L6,ZPC(BLK),SWRC	6	S.A	
..2	M0081	6003-000115	SCREW-TAPTITE;BH,+,B,M3,L6,ZPC(BLK),SWRC	1	S.A	
..2	M0081	6003-001003	SCREW-TAPTITE;BH,+,B,M4,L12,ZPC(BLK),SWR	4	S.N.A	
..2	M0081	6003-001003	SCREW-TAPTITE;BH,+,B,M4,L12,ZPC(BLK),SWR	3	S.N.A	
..2	M0081	6003-001024	SCREW-TAPTITE;RWH,+,-,B,M4,L12,ZPC(WHT),	2	S.A	
..2	M0081	6003-001188	SCREW-TAPTITE;BH,+,-,B,M4,L10,ZPC(WHT),S	6	S.N.A	
..2	M0081	6003-001188	SCREW-TAPTITE;BH,+,-,B,M4,L10,ZPC(WHT),S	2	S.N.A	
..2	M0081	6003-001188	SCREW-TAPTITE;BH,+,-,B,M4,L10,ZPC(WHT),S	2	S.N.A	
..2	M0081	6003-001188	SCREW-TAPTITE;BH,+,-,B,M4,L10,ZPC(WHT),S	1	S.N.A	
..2	M0081	6003-001188	SCREW-TAPTITE;BH,+,-,B,M4,L10,ZPC(WHT),S	2	S.N.A	
..2	M0081	6003-001439	SCREW-TAPTITE;BH,+,-,S,M4,L8,ZPC(WHT),SW	1	S.N.A	
..2	M2893	BH39-00362B	LEAD CONNECTOR;RE32**,UL1007#26,5P,150mm	1	S.A	
..2	M2893	BN39-00802F	LEAD CONNECTOR;LE46S86BDX,UL1007#26,24PI	1	S.A	
..2	M2893	BN39-00886A	LEAD CONNECTOR;LE37M86BDX/XEC,UL1007 #26	1	S.A	
..2	T0764	BN44-00220A	SMPS-LCDTV;MK37P5T,DYREL,AC/DC,171W,AC10	1	S.A	
..2	M0254	BN61-02875E	HOLDER-SIDE AV;40F8,EO,HIPS V0,-,-,BK5	1	S.N.A	
..2	M0115	BN61-02882A	BRACKET-STAND LINK;TULIP,40,SECC,T1.6,-,	1	S.N.A	
..2	M0107	BN63-03039A	SHIELD-COVER;MURANO40,PCM,T0.5,IDTV	1	S.N.A	
..2	M0125	BN96-04817B	ASSY INLET P;LNT4081FX,XAA,250mm,250mm,-	1	S.A	
..2	T0175	BN96-06818B	ASSY SPEAKER P;8ohm,CORAL,L450,10W,4pin,	1	S.A	
..2	T0447	BN96-06880A	ASSY BRACKET P-PANEL;37L550P3,,SECC,,,PE	1	S.N.A	
...3	M0081	6003-000115	SCREW-TAPTITE;BH,+,B,M3,L6,ZPC(BLK),SWRC	6	S.A	
...3	M0081	6003-000115	SCREW-TAPTITE;BH,+,B,M3,L6,ZPC(BLK),SWRC	2	S.A	

5. Exploded View & Part List

Level	Location No.	Code No.	Description & Specification	Q'ty	SA/SNA	Remark
...3	M0131	AA63-01438A	GASKET;Bordeaux,Conductive Fabric,7mm,8m	1	S.N.A	
...3		BN61-02980A	BRACKET-GUIDE MAIN;37 BORDEAUX PLUS,SECC	1	S.N.A	
...3		BN61-03033A	BRACKET-GUIDE POWER;37 BORDEAUX PLUS,SEC	1	S.N.A	
...3		BN61-03034A	BRACKET-GUIDE POWER;37 BORDEAUX PLUS,SEC	1	S.N.A	
...3	M0146	BN61-03712A	BRACKET-PANEL TOP;BRACKET-PANEL-TOP 37,S	1	S.N.A	
...3	T0101	BN61-03841A	BRACKET-WALL;AMBER 37,SECC,T1.2	1	S.N.A	
...3	M0131	BN63-03503A	GASKET;JASMINE,Conductive Fabric,25,8,24	1	S.N.A	
...3	M0131	BN63-03504A	GASKET;JASMINE,Conductive Fabric,25,8,28	1	S.N.A	
...3		BN61-02977B	BRACKET-PANEL BOTTOM;PEARL 37",SECC,T1.2	1	S.N.A	
...3	M0114	BN61-02500A	HOLDER-WIRE;NYLON6.6,NATURAL	3	S.N.A	
..2	M2893	BN39-01046A	LEAD CONNECTOR-LVDS;LE37A556P1F,UL1571#3	1	S.A	



## 5-8. LE40A55\*P Parts List

Level	Location No.	Code No.	Description & Specification	Q'ty	SA/SNA	Remark
		LE40A558P3FXXC	LE40A558P3F,N46A/40AP3-GPR,40,LCD-TV,SPA			
0.1	M0001	BN90-01547F	ASSY COVER FRONT;40L530,EO(iDTV),P3	1	S.N.A	
..2	T0003	BN96-06715E	ASSY COVER P-FRONT;40L550,P2,P3,P4,EO(iD	1	S.N.A	
...3	M0081	6003-001188	SCREW-TAPTITE;BH,+,-,B,M4,L10,ZPC(WHT),S	1	S.N.A	
...3	M0081	6003-001188	SCREW-TAPTITE;BH,+,-,B,M4,L10,ZPC(WHT),S	2	S.N.A	
...3	T0069	AA60-00091P	SPACER-FELT;;FELT,500X10,BLK,T0.5	2	S.N.A	
...3	T0069	AA60-00171L	SPACER-FELT;46L3,FELT,460,T0.5,10	2	S.N.A	
...3	CCM1	BN63-02183E	COVER-SHEET;RhcM,PE Vinyl,T0.05,750mm,20	0.841	S.N.A	
...3	M0112	BN63-04370C	COVER-FRONT;40L550,P2,P3,P4,EO(iDTV),ABS	1	S.N.A	
...4		BN81-00204P	RESIN-HIGH GLOSS;SF-0505,K21294,ABS HB P	1.4	S.N.A	
...3	T0059	BN64-00379A	INDICATOR LED;ROME-II,23,PC,CLEAR	1	S.N.A	
...3	T0061	BN64-00453A	WINDOW-REMOCON;32R71,PC,V0,VIOLET,DIFFUS	1	S.N.A	
...3	T0022	BN64-00755A	KNOB-CONTROL;32L450,ABS,V0,BK07	1	S.N.A	
...4		BH83-00150P	CKD-ABS HB;HF-0680U,K2331	0.037	S.N.A	
...3		BN64-00869A	DECORATION-BOTTOM;40L550,P3,ABS,HB,GR503	1	S.N.A	
...4		BN81-00187A	RESIN;ABS HB GR503,HF-0680U,G4309	0.2	S.N.A	
...3		BN96-06932B	ASSY HOLDER P-BOSS;40L530,HIPS,HB,BK500	1	S.N.A	
...4		BN61-03261N	BOSS-TAPE;AMBER,ACRYL,T1.1,W20.0mm,WHITE	0.7	S.N.A	
...4		BN61-03888B	HOLDER-BOSS BOTTOM;40L530,HIPS,HB,BK500	1	S.N.A	
....5		BN81-00199H	RESIN;HIPS HB,BK500,HF-1690H,K2901	205.7	S.N.A	
...3	M0145	BN96-07269A	ASSY BOARD P-FUNCTION;LN40A450C1D,CT5000	1	S.A	
...3	M0146	BN96-07270G	ASSY BOARD P-POWER & IR;LE32A556P1F,CT50	1	S.A	
0.1	M0216	BN90-01557A	ASSY STAND;40L530	1	S.N.A	
..2	T0081	6002-001294	SCREW-TAPPING;BH,+,,M4,L16,ZPC(BLK)	4	S.A	
..2	M0027	BN96-04754A	ASSY STAND P-BASE;-,,37,40S81,-,,ABS+PMMA,	1	S.A	
...3	T0081	6002-001294	SCREW-TAPPING;BH,+,,M4,L16,ZPC(BLK)	4	S.A	
...3	M0081	6003-001239	SCREW-TAPTITE;FH,+,-,B,M4,L10,ZPC(WHT),S	8	S.A	
...3		BN61-02248A	HOLDER-SWIVEL RING;40R71,ACETAL NATUAL,T	1	S.N.A	
...3		BN61-02883A	BRACKET-STAND BOTTOM;BORDEAUX PLUS,40,SE	1	S.N.A	
...3		BN61-02885A	HOLDER-SWIVEL RING;MURANO40,ACETAL NATUR	1	S.N.A	
...3		BN61-02886A	BRACKET-HINGE SWIVEL;BORDEAUX PLUS,40,SE	1	S.N.A	
...3	T0920	BN61-02985A	GUIDE-STAND;Jasmine40,ABS V0(NT),-,-,-,-	1	S.N.A	
...4		BN61-02981A	BRACKET-SUPPORT STAND;40 BORDEAUX PLUS,S	1	S.N.A	
...4		BN61-03045A	BRACKET-SUPPORT STAND;40 BORDEAUX PLUS,S	1	S.N.A	
...4		BN81-00204R	RESIN;NT-7200,K2901,ABS V0,BK19,-,-,-	0.286	S.N.A	
...3	CCM1	BN63-02183E	COVER-SHEET;RhcM,PE Vinyl,T0.05,750mm,20	0.5	S.N.A	
...3	T0004	BN63-03030A	COVER-STAND BASE;40R81,ABS+PMMA,-,-,-,HB	1	S.N.A	
...4		BN81-00204P	RESIN-HIGH GLOSS;SF-0505,K21294,ABS HB P	0.653	S.N.A	
...3	T0132	BN73-00052A	RUBBER FOOT;ARES 17,CR Rubber Gray,T1.5	4	S.N.A	
0.1	M0002	BN90-01606B	ASSY COVER REAR;40L530,EO(iDTV)	1	S.N.A	
..2	T0081	6002-001294	SCREW-TAPPING;BH,+,,M4,L16,ZPC(BLK)	1	S.A	
..2	T0081	6002-001294	SCREW-TAPPING;BH,+,,M4,L16,ZPC(BLK)	11	S.A	
..2	T0081	6002-001294	SCREW-TAPPING;BH,+,,M4,L16,ZPC(BLK)	2	S.A	
..2	M0013	BN96-06949B	ASSY COVER P-REAR;40L530,EO(iDTV),HIPS,H	1	S.A	
...3	M0081	6003-001188	SCREW-TAPTITE;BH,+,-,B,M4,L10,ZPC(WHT),S	2	S.N.A	
...3	T0101	BN61-03348A	BRACKET-WALL;LCD TV 32,SECC T1.2,-,-,-,-	2	S.N.A	

5. Exploded View & Part List

Level	Location No.	Code No.	Description & Specification	Q'ty	SA/SNA	Remark
...3	M0006	BN63-04373B	COVER-REAR;40L530,EO(iDTV),HIPS,HB,BK500	1	S.N.A	
...4		BN81-00199H	RESIN;HIPS HB,BK500,HF-1690H,K2901	2.571	S.N.A	
...3	T0064	BN65-00002A	CLAMPER CORE;BORDEAUX,LDPE,-,-,BLK,-	1	S.N.A	
...3	T0071	BN64-00806C	INLAY-TERMINAL;46L550P3,EO(iDTV),PS SHEE	1	S.N.A	
0.1	M0017	BN91-02016B	ASSY CHASSIS;LE40A556P1FX/XC,AUO	1	S.N.A	
..2	M0014	BN94-01656B	ASSY PCB MAIN-AUO;LE40A556P1FX,N46A	1	S.A	
...3	T0245	0202-001608	SOLDER-WIRE FLUX;LFC7-107,D0.8,99.3Sn/0.	1.25	S.N.A	
...3	JA3114_NSI	3701-001388	CONNECTOR-HDMI;20P,Phosphor Bronze,ANGLE	1	S.A	
...3	JA3208_OP	3701-001480	CONNECTOR-DSUB;15P,3R,FEMAIL,STAMPED PIN	1	S.A	
...3	CN906	3707-001081	CONNECTOR-OPTICAL;STRAIGHT,SPDIF	1	S.A	
...3	JA7201	3709-001508	CONNECTOR-CARD SLOT;68P,1.27mm,PIN,PCMCIA	1	S.A	
...3	CN330	3711-000058	HEADER-BOARD TO CABLE;BOX,4P,1R,2.5MM,AN	1	S.A	
...3	CN330	3711-004379	HEADER-BOARD TO CABLE;BOX,4P,1R,2mm,STRA	1	S.A	
...3	CN330	3711-004379	HEADER-BOARD TO CABLE;BOX,4P,1R,2mm,STRA	1	S.A	
...3	CN330	3711-004484	HEADER-BOARD TO CABLE;BOX,5P,1R,2mm,STRA	1	S.A	
...3	CN330	3711-004531	HEADER-BOARD TO CABLE;BOX,10P,1R,2mm,ANG	1	S.A	
...3	CN330	3711-004712	HEADER-BOARD TO CABLE;BOX,9P,1R,2mm,STRA	1	S.A	
...3	CN330	3711-005842	HEADER-BOARD TO CABLE;BOX,24P,2R,2MM,STR	1	S.A	
...3	JA330	3722-000143	JACK-PHONE;1P(VER),AG,BLK,ANGLE	1	S.A	
...3	JA330	3722-001061	JACK-PHONE;1P,3.6PI,AG,BLK,N	1	S.A	
...3	JA330	3722-001061	JACK-PHONE;1P,3.6PI,AG,BLK,N	1	S.A	
...3	CN3108_NSI	3722-002275	JACK-DIN;4P,-,SN,BLK,-	1	S.A	
...3	CN3111_NSI	3722-002546	JACK-USB;4P/1C,AU,BLK,ANGLE,A type	1	S.N.A	
...3	JA3202	3722-002681	JACK-SCART;42P,SN,BLK	1	S.A	
...3	JA333	3722-002690	JACK-PIN;3P,Ni,RED/WHT/YEL,ANGLE	1	S.A	
...3	JA333	3722-002691	JACK-PIN;2P,Ni,WHT/RED,STRAIGHT	1	S.A	
...3	JA333	3722-002691	JACK-PIN;2P,Ni,WHT/RED,STRAIGHT	1	S.A	
...3	JA333	3722-002691	JACK-PIN;2P,Ni,WHT/RED,STRAIGHT	1	S.A	
...3	JA333	3722-002703	JACK-PIN;3P,Ni,GRN/BLU/RED,STRAIGHT	1	S.A	
...3	CIS3	BN40-00120A	TUNER;TDHG6-K10A,TDHG6-K10A,DVB-T,181CH,	1	S.A	
...3	HDCP	BN97-00688B	ASSY HDCP;MT8202 IC HDCP Key'	1	S.N.A	
...4		BN46-00018A	KEY CODE-CERTIFICATE;(HDCP KEY)PPM42M5S,	1	S.N.A	
...3	T0174	BN97-02033B	ASSY SMD;LE40A556P1F/*,N46A	1	S.N.A	
...4	SUB05	0202-001477	SOLDER-CREAM;LST309-M,-,D20-45##,96.5Sn/	2.999	S.N.A	
...4	D1104	0401-001056	DIODE-SWITCHING;MMBD4148SE,100V,200mA,SO	1	S.A	
...4	D3101	0401-001056	DIODE-SWITCHING;MMBD4148SE,100V,200mA,SO	1	S.A	
...4	D3102	0401-001056	DIODE-SWITCHING;MMBD4148SE,100V,200mA,SO	1	S.A	
...4	D3103	0401-001056	DIODE-SWITCHING;MMBD4148SE,100V,200mA,SO	1	S.A	
...4	D3104	0401-001056	DIODE-SWITCHING;MMBD4148SE,100V,200mA,SO	1	S.A	
...4	D3105	0401-001056	DIODE-SWITCHING;MMBD4148SE,100V,200mA,SO	1	S.A	
...4	D3106	0401-001056	DIODE-SWITCHING;MMBD4148SE,100V,200mA,SO	1	S.A	
...4	D3108	0401-001056	DIODE-SWITCHING;MMBD4148SE,100V,200mA,SO	1	S.A	
...4	D3109	0401-001056	DIODE-SWITCHING;MMBD4148SE,100V,200mA,SO	1	S.A	
...4	D3144	0401-001056	DIODE-SWITCHING;MMBD4148SE,100V,200mA,SO	1	S.A	
...4	D3146	0401-001056	DIODE-SWITCHING;MMBD4148SE,100V,200mA,SO	1	S.A	
...4	D3147	0401-001056	DIODE-SWITCHING;MMBD4148SE,100V,200mA,SO	1	S.A	
...4	D3149	0401-001056	DIODE-SWITCHING;MMBD4148SE,100V,200mA,SO	1	S.A	
...4	D3150	0401-001056	DIODE-SWITCHING;MMBD4148SE,100V,200mA,SO	1	S.A	
...4	D3151	0401-001056	DIODE-SWITCHING;MMBD4148SE,100V,200mA,SO	1	S.A	
...4	D3152	0401-001056	DIODE-SWITCHING;MMBD4148SE,100V,200mA,SO	1	S.A	

## 5. Exploded View &amp; Part List

Level	Location No.	Code No.	Description & Specification	Q'ty	SA/SNA	Remark
...4	D3153	0401-001056	DIODE-SWITCHING;MMBD4148SE,100V,200mA,SO	1	S.A	
...4	D3154	0401-001056	DIODE-SWITCHING;MMBD4148SE,100V,200mA,SO	1	S.A	
...4	D3155	0401-001056	DIODE-SWITCHING;MMBD4148SE,100V,200mA,SO	1	S.A	
...4	D3158	0401-001056	DIODE-SWITCHING;MMBD4148SE,100V,200mA,SO	1	S.A	
...4	D3159	0401-001056	DIODE-SWITCHING;MMBD4148SE,100V,200mA,SO	1	S.A	
...4	D3161	0401-001056	DIODE-SWITCHING;MMBD4148SE,100V,200mA,SO	1	S.A	
...4	D3162	0401-001056	DIODE-SWITCHING;MMBD4148SE,100V,200mA,SO	1	S.A	
...4	D3163	0401-001056	DIODE-SWITCHING;MMBD4148SE,100V,200mA,SO	1	S.A	
...4	D3165	0401-001056	DIODE-SWITCHING;MMBD4148SE,100V,200mA,SO	1	S.A	
...4	D3166	0401-001056	DIODE-SWITCHING;MMBD4148SE,100V,200mA,SO	1	S.A	
...4	D3168	0401-001056	DIODE-SWITCHING;MMBD4148SE,100V,200mA,SO	1	S.A	
...4	D3170	0401-001056	DIODE-SWITCHING;MMBD4148SE,100V,200mA,SO	1	S.A	
...4	D3173	0401-001056	DIODE-SWITCHING;MMBD4148SE,100V,200mA,SO	1	S.A	
...4	D3195	0401-001056	DIODE-SWITCHING;MMBD4148SE,100V,200mA,SO	1	S.A	
...4	D3196	0401-001056	DIODE-SWITCHING;MMBD4148SE,100V,200mA,SO	1	S.A	
...4	D3197	0401-001056	DIODE-SWITCHING;MMBD4148SE,100V,200mA,SO	1	S.A	
...4	D3198	0401-001056	DIODE-SWITCHING;MMBD4148SE,100V,200mA,SO	1	S.A	
...4	D3200	0401-001056	DIODE-SWITCHING;MMBD4148SE,100V,200mA,SO	1	S.A	
...4	D3201	0401-001056	DIODE-SWITCHING;MMBD4148SE,100V,200mA,SO	1	S.A	
...4	D3202	0401-001056	DIODE-SWITCHING;MMBD4148SE,100V,200mA,SO	1	S.A	
...4	D3203	0401-001056	DIODE-SWITCHING;MMBD4148SE,100V,200mA,SO	1	S.A	
...4	D3204	0401-001056	DIODE-SWITCHING;MMBD4148SE,100V,200mA,SO	1	S.A	
...4	D3206	0401-001056	DIODE-SWITCHING;MMBD4148SE,100V,200mA,SO	1	S.A	
...4	D3207	0401-001056	DIODE-SWITCHING;MMBD4148SE,100V,200mA,SO	1	S.A	
...4	D3254	0401-001056	DIODE-SWITCHING;MMBD4148SE,100V,200mA,SO	1	S.A	
...4	D3255	0401-001056	DIODE-SWITCHING;MMBD4148SE,100V,200mA,SO	1	S.A	
...4	D3256	0401-001056	DIODE-SWITCHING;MMBD4148SE,100V,200mA,SO	1	S.A	
...4	D5501_CEC	0401-001056	DIODE-SWITCHING;MMBD4148SE,100V,200mA,SO	1	S.A	
...4	D2105	0401-001099	DIODE-SWITCHING;1N4148WS,75V,150mA,SOD-3	1	S.A	
...4	D2106	0401-001099	DIODE-SWITCHING;1N4148WS,75V,150mA,SOD-3	1	S.A	
...4	D2201	0401-001099	DIODE-SWITCHING;1N4148WS,75V,150mA,SOD-3	1	S.A	
...4	D3118	0401-001099	DIODE-SWITCHING;1N4148WS,75V,150mA,SOD-3	1	S.A	
...4	D3120	0401-001099	DIODE-SWITCHING;1N4148WS,75V,150mA,SOD-3	1	S.A	
...4	D3123	0401-001099	DIODE-SWITCHING;1N4148WS,75V,150mA,SOD-3	1	S.A	
...4	D5104	0401-001099	DIODE-SWITCHING;1N4148WS,75V,150mA,SOD-3	1	S.A	
...4	D5105	0401-001099	DIODE-SWITCHING;1N4148WS,75V,150mA,SOD-3	1	S.A	
...4	D5201	0401-001099	DIODE-SWITCHING;1N4148WS,75V,150mA,SOD-3	1	S.A	
...4	D0254	0402-000553	DIODE-SCHOTTKY;SS24/B240,40V,2000mA,DO-2	1	S.A	
...4	D0254	0402-000553	DIODE-SCHOTTKY;SS24/B240,40V,2000mA,DO-2	1	S.A	
...4	D1211_NCMO	0402-001098	DIODE-RECTIFIER;SK34,40V,3A,SMC,TP	1	S.A	
...4	D2107	0403-000002	DIODE-ZENER;VLZ5V6B,5.45/5.73V,500mW,SOD	1	S.A	
...4	D3115	0403-000002	DIODE-ZENER;VLZ5V6B,5.45/5.73V,500mW,SOD	1	S.A	
...4	D3125	0403-000002	DIODE-ZENER;VLZ5V6B,5.45/5.73V,500mW,SOD	1	S.A	
...4	D3126	0403-000002	DIODE-ZENER;VLZ5V6B,5.45/5.73V,500mW,SOD	1	S.A	
...4	D3129	0403-000002	DIODE-ZENER;VLZ5V6B,5.45/5.73V,500mW,SOD	1	S.A	
...4	D3132	0403-000002	DIODE-ZENER;VLZ5V6B,5.45/5.73V,500mW,SOD	1	S.A	
...4	D3134	0403-000002	DIODE-ZENER;VLZ5V6B,5.45/5.73V,500mW,SOD	1	S.A	
...4	D3137	0403-000002	DIODE-ZENER;VLZ5V6B,5.45/5.73V,500mW,SOD	1	S.A	
...4	D3148	0403-000002	DIODE-ZENER;VLZ5V6B,5.45/5.73V,500mW,SOD	1	S.A	
...4	D3186_NSID	0403-000002	DIODE-ZENER;VLZ5V6B,5.45/5.73V,500mW,SOD	1	S.A	
...4	D3205	0403-000002	DIODE-ZENER;VLZ5V6B,5.45/5.73V,500mW,SOD	1	S.A	

5. Exploded View & Part List

Level	Location No.	Code No.	Description & Specification	Q'ty	SA/SNA	Remark
...4	D5103	0403-000002	DIODE-ZENER;VLZ5V6B,5.45/5.73V,500mW,SOD	1	S.A	
...4	D5111	0403-000258	DIODE-ZENER;BZX84C5V6,5.2-6V,225mW,SOT-2	1	S.A	
...4	D5101	0403-000584	DIODE-ZENER;VLZ3V6B,3.6/3.845V,500mW,SOD	1	S.N.A	
...4	D3141	0403-000771	DIODE-ZENER;VLZ6V2B,5.96-6.27V,500mW,SOD	1	S.A	
...4	D3156	0403-000771	DIODE-ZENER;VLZ6V2B,5.96-6.27V,500mW,SOD	1	S.A	
...4	D3191	0403-000771	DIODE-ZENER;VLZ6V2B,5.96-6.27V,500mW,SOD	1	S.A	
...4	D3199	0403-001052	DIODE-ZENER;RD8.2MB,7.7-8.7V,200mW,SOT-2	1	S.A	
...4	D1111	0403-001425	DIODE-ZENER;BZX84C33,31-35V,350mW,SOT-23	1	S.A	
...4	D0254	0404-001404	DIODE-SCHOTTKY;BAT721C,40V,200mA,SOT-23,	1	S.A	
...4	D0254	0404-001404	DIODE-SCHOTTKY;BAT721C,40V,200mA,SOT-23,	1	S.A	
...4	D0254	0404-001404	DIODE-SCHOTTKY;BAT721C,40V,200mA,SOT-23,	1	S.A	
...4	D3119	0406-001172	DIODE-TVS;CDS3C30GTH,48/-/50V,SMD	1	S.A	
...4	D3122	0406-001172	DIODE-TVS;CDS3C30GTH,48/-/50V,SMD	1	S.A	
...4	D3138	0406-001172	DIODE-TVS;CDS3C30GTH,48/-/50V,SMD	1	S.A	
...4	D3139	0406-001172	DIODE-TVS;CDS3C30GTH,48/-/50V,SMD	1	S.A	
...4	D3179	0406-001172	DIODE-TVS;CDS3C30GTH,48/-/50V,SMD	1	S.A	
...4	D3180	0406-001172	DIODE-TVS;CDS3C30GTH,48/-/50V,SMD	1	S.A	
...4	D3182_NSID	0406-001172	DIODE-TVS;CDS3C30GTH,48/-/50V,SMD	1	S.A	
...4	D3183_NSID	0406-001172	DIODE-TVS;CDS3C30GTH,48/-/50V,SMD	1	S.A	
...4	D3184_NSID	0406-001172	DIODE-TVS;CDS3C30GTH,48/-/50V,SMD	1	S.A	
...4	D3185_NSID	0406-001172	DIODE-TVS;CDS3C30GTH,48/-/50V,SMD	1	S.A	
...4	D3188_NSID	0406-001172	DIODE-TVS;CDS3C30GTH,48/-/50V,SMD	1	S.A	
...4	D3189_NSID	0406-001172	DIODE-TVS;CDS3C30GTH,48/-/50V,SMD	1	S.A	
...4	D3190_NSID	0406-001172	DIODE-TVS;CDS3C30GTH,48/-/50V,SMD	1	S.A	
...4	D3251	0406-001172	DIODE-TVS;CDS3C30GTH,48/-/50V,SMD	1	S.A	
...4	D3252	0406-001172	DIODE-TVS;CDS3C30GTH,48/-/50V,SMD	1	S.A	
...4	D3208	0406-001181	DIODE-TVS;NUP4201MR6,6/-/-V,500W,TSOP-6	1	S.A	
...4	D2104	0407-000123	DIODE-ARRAY;DAN202K,80V,100mA,CA2-3,SOT-	1	S.A	
...4	D2108	0407-000123	DIODE-ARRAY;DAN202K,80V,100mA,CA2-3,SOT-	1	S.A	
...4	D2110	0407-000123	DIODE-ARRAY;DAN202K,80V,100mA,CA2-3,SOT-	1	S.A	
...4	D7201	0407-000123	DIODE-ARRAY;DAN202K,80V,100mA,CA2-3,SOT-	1	S.A	
...4	D7202	0407-000123	DIODE-ARRAY;DAN202K,80V,100mA,CA2-3,SOT-	1	S.A	
...4	D7203	0407-000123	DIODE-ARRAY;DAN202K,80V,100mA,CA2-3,SOT-	1	S.A	
...4	D7204	0407-000123	DIODE-ARRAY;DAN202K,80V,100mA,CA2-3,SOT-	1	S.A	
...4	D7205	0407-000123	DIODE-ARRAY;DAN202K,80V,100mA,CA2-3,SOT-	1	S.A	
...4	D7206	0407-000123	DIODE-ARRAY;DAN202K,80V,100mA,CA2-3,SOT-	1	S.A	
...4	Q7001	0501-000002	TR-SMALL SIGNAL;KSA812,PNP,150MW,SOT-23,	1	S.A	
...4	Q7002	0501-000002	TR-SMALL SIGNAL;KSA812,PNP,150MW,SOT-23,	1	S.A	
...4	Q5201	0501-000434	TR-SMALL SIGNAL;KTC3875S-GR,NPN,150mW,SO	1	S.A	
...4	Q7402	0501-000434	TR-SMALL SIGNAL;KTC3875S-GR,NPN,150mW,SO	1	S.A	
...4	Q1104	0501-000445	TR-SMALL SIGNAL;KTC3875S-Y,NPN,150mW,SOT	1	S.A	
...4	Q1111	0501-000445	TR-SMALL SIGNAL;KTC3875S-Y,NPN,150mW,SOT	1	S.A	
...4	Q2102	0501-000445	TR-SMALL SIGNAL;KTC3875S-Y,NPN,150mW,SOT	1	S.A	
...4	Q3101	0501-000445	TR-SMALL SIGNAL;KTC3875S-Y,NPN,150mW,SOT	1	S.A	
...4	Q3102	0501-000445	TR-SMALL SIGNAL;KTC3875S-Y,NPN,150mW,SOT	1	S.A	
...4	Q3106	0501-000445	TR-SMALL SIGNAL;KTC3875S-Y,NPN,150mW,SOT	1	S.A	
...4	Q3107	0501-000445	TR-SMALL SIGNAL;KTC3875S-Y,NPN,150mW,SOT	1	S.A	
...4	Q3111	0501-000445	TR-SMALL SIGNAL;KTC3875S-Y,NPN,150mW,SOT	1	S.A	
...4	Q3112	0501-000445	TR-SMALL SIGNAL;KTC3875S-Y,NPN,150mW,SOT	1	S.A	
...4	Q3113	0501-000445	TR-SMALL SIGNAL;KTC3875S-Y,NPN,150mW,SOT	1	S.A	
...4	Q3114	0501-000445	TR-SMALL SIGNAL;KTC3875S-Y,NPN,150mW,SOT	1	S.A	

## 5. Exploded View &amp; Part List

Level	Location No.	Code No.	Description & Specification	Q'ty	SA/SNA	Remark
...4	Q3151_NPN	0501-000445	TR-SMALL SIGNAL;KTC3875S-Y,NPN,150mW,SOT	1	S.A	
...4	Q3152_NPN	0501-000445	TR-SMALL SIGNAL;KTC3875S-Y,NPN,150mW,SOT	1	S.A	
...4	Q5104	0501-000445	TR-SMALL SIGNAL;KTC3875S-Y,NPN,150mW,SOT	1	S.A	
...4	Q5108	0501-000445	TR-SMALL SIGNAL;KTC3875S-Y,NPN,150mW,SOT	1	S.A	
...4	Q5109	0501-000445	TR-SMALL SIGNAL;KTC3875S-Y,NPN,150mW,SOT	1	S.A	
...4	Q5202	0501-000445	TR-SMALL SIGNAL;KTC3875S-Y,NPN,150mW,SOT	1	S.A	
...4	Q6101_DIM	0501-000445	TR-SMALL SIGNAL;KTC3875S-Y,NPN,150mW,SOT	1	S.A	
...4	Q2101	0501-000669	TR-SMALL SIGNAL;KTA1505Y,PNP,150mW,SOT-2	1	S.A	
...4	Q2103	0501-000669	TR-SMALL SIGNAL;KTA1505Y,PNP,150mW,SOT-2	1	S.A	
...4	Q3104	0501-000669	TR-SMALL SIGNAL;KTA1505Y,PNP,150mW,SOT-2	1	S.A	
...4	Q3109	0501-000669	TR-SMALL SIGNAL;KTA1505Y,PNP,150mW,SOT-2	1	S.A	
...4	Q1101_L	0501-002080	TR-SMALL SIGNAL;2SC2412K,NPN,200mW,SC-59	1	S.A	
...4	Q1102_50HZ	0501-002080	TR-SMALL SIGNAL;2SC2412K,NPN,200mW,SC-59	1	S.A	
...4	Q3103	0501-002080	TR-SMALL SIGNAL;2SC2412K,NPN,200mW,SC-59	1	S.A	
...4	Q3105	0501-002080	TR-SMALL SIGNAL;2SC2412K,NPN,200mW,SC-59	1	S.A	
...4	Q3108	0501-002080	TR-SMALL SIGNAL;2SC2412K,NPN,200mW,SC-59	1	S.A	
...4	Q3110	0501-002080	TR-SMALL SIGNAL;2SC2412K,NPN,200mW,SC-59	1	S.A	
...4	Q3153_NPN	0501-002080	TR-SMALL SIGNAL;2SC2412K,NPN,200mW,SC-59	1	S.A	
...4	Q3116	0501-002184	TR-SMALL SIGNAL;KTD1304,NPN,200mW,SOT-23	1	S.A	
...4	Q3117	0501-002184	TR-SMALL SIGNAL;KTD1304,NPN,200mW,SOT-23	1	S.A	
...4	Q409	0505-000110	FET-SILICON;2N7002,N,60V,115mA,7.5ohm,0.	1	S.A	
...4	Q409	0505-000110	FET-SILICON;2N7002,N,60V,115mA,7.5ohm,0.	1	S.A	
...4	Q409	0505-000110	FET-SILICON;2N7002,N,60V,115mA,7.5ohm,0.	1	S.A	
...4	Q409	0505-000110	FET-SILICON;2N7002,N,60V,115mA,7.5ohm,0.	1	S.A	
...4	Q409	0505-000110	FET-SILICON;2N7002,N,60V,115mA,7.5ohm,0.	1	S.A	
...4	Q409	0505-001170	FET-SILICON;SI9933ADY-T1,P,-20V,3.4A,0.0	1	S.A	
...4	IC104	0801-002095	IC-CMOS LOGIC;74LCX245,TRANSCEIVER,TSSOP	1	S.A	
...4	IC104	0801-002172	IC-CMOS LOGIC;74LCX16244,BUFFER/LINE DRI	1	S.A	
...4	IC104	0801-002172	IC-CMOS LOGIC;74LCX16244,BUFFER/LINE DRI	1	S.A	
...4	IC104	0801-002172	IC-CMOS LOGIC;74LCX16244,BUFFER/LINE DRI	1	S.A	
...4	IC104	0801-002432	IC-CMOS LOGIC;74LVC244,8BIT BUFFER/DRIVE	1	S.N.A	
...4	IC104	0801-002630	IC-CMOS LOGIC;74AHCT1G08,2-INPUT AND GAT	1	S.A	
...4	IC104	0801-003239	IC-CMOS LOGIC;74LVC1G00,2-input NAND Gat	1	S.A	
...4	IC104	0801-003239	IC-CMOS LOGIC;74LVC1G00,2-input NAND Gat	1	S.A	
...4	IC5110	1001-000164	IC-ANALOG MULTIPLEX;74HC4052,CMOS,SOP,16	1	S.A	
...4	IC106	1001-001513	IC-VIDEO SWITCH;TMDS351PAG,TQFP,64P,9x9m	1	S.A	
...4	IC5108	1001-001523	IC-ANALOG MULTIPLEX;74HC4052PW,TSSOP,16P	1	S.A	
...4	IC107	1002-001482	IC-D/A CONVERTER;WM8521H9GED/R,16bit,SOI	1	S.A	
...4	IC2102	1002-001509	IC-A/D&D/A CONVERTER;MT8291,24bit,LQFP,4	1	S.A	
...4	IC110	1006-001076	IC-DRIVER/RECEIVER;MAX232ECWE+T,SOP,16P,	1	S.A	
...4	IC112	1103-000129	IC-EEPROM;24C02,2Kbit,256x8Bit,SOP,8P,5x	1	S.A	
...4	IC112	1103-000129	IC-EEPROM;24C02,2Kbit,256x8Bit,SOP,8P,5x	1	S.A	
...4	IC112	1103-000129	IC-EEPROM;24C02,2Kbit,256x8Bit,SOP,8P,5x	1	S.A	
...4	IC112	1103-000129	IC-EEPROM;24C02,2Kbit,256x8Bit,SOP,8P,5x	1	S.A	
...4	IC112	1103-001385	IC-EEPROM;AT24C256,256Kbit,32Kx8,SOP,8P,	1	S.A	
...4	IC112	1103-001410	IC-EEPROM;S-24CS08AFJ-TB-1GE,8Kbit,1Kx8,	1	S.A	
...4	IC113	1105-001712	IC-DRAM;HYB25D256163CE,DDR,256Mbit,16Mx1	1	S.A	
...4	IC5104	1105-001862	IC-DDR2 SDRAM;K4T56163QI-ZCF7,DDR2 SDRAM	1	S.A	
...4	IC5106	1105-001862	IC-DDR2 SDRAM;K4T56163QI-ZCF7,DDR2 SDRAM	1	S.A	
...4	DU410	1201-000166	IC-OP AMP;LM358,SOP,ST,8P,150MIL,DUAL,10	1	S.A	
...4	T0124	1201-002677	IC-POWER AMP;NTP3100,QFN56,56P,8x8mm,DUA	1	S.A	

5. Exploded View & Part List

Level	Location No.	Code No.	Description & Specification	Q'ty	SA/SNA	Remark
...4	T0087	1203-001815	IC-POSI.FIXED REG.;78M09,TO-252,3P,-,PLA	1	S.A	
...4	T0087	1203-002842	IC-POSI.FIXED REG.;AP1117D-33A,TO-252,3P	1	S.A	
...4	T0087	1203-002974	IC-POSI.FIXED REG.;AP1117D-25A,TO-252,3P	1	S.A	
...4	IC012	1203-002995	IC-POSI.ADJUST REG.;AP1117D-A,TO-252,3P,	1	S.A	
...4	IC012	1203-002995	IC-POSI.ADJUST REG.;AP1117D-A,TO-252,3P,	1	S.A	
...4	IC3104	1203-003394	IC-POWER SUPERVISOR;MIC2544-1YM,SOP,8P,4	1	S.A	
...4	IC7206	1203-003394	IC-POWER SUPERVISOR;MIC2544-1YM,SOP,8P,4	1	S.A	
...4	T0087	1203-003696	IC-POSI.FIXED REG.;NCP1117DT18T5G,DPAK,3	1	S.A	
...4	T0087	1203-003696	IC-POSI.FIXED REG.;NCP1117DT18T5G,DPAK,3	1	S.A	
...4	IC5102	1203-004363	IC-VOL. DETECTOR;RT9818C-29PV,SOT-23,3P,	1	S.A	
...4	IC2103	1203-004364	IC-VOL. DETECTOR;RT9818C-42PV,SOT-23,3P,	1	S.A	
...4	IC7402	1203-004364	IC-VOL. DETECTOR;RT9818C-42PV,SOT-23,3P,	1	S.A	
...4	T0087	1203-004816	IC-POSI.FIXED REG.;KIA78D015F,DPAK,3P,6.	1	S.A	
...4	T0170	1203-004868	IC-SWITCH VOL. REG.;MP2363,SOIC,8P,4.9x3	1	S.A	
...4	T0170	1203-004868	IC-SWITCH VOL. REG.;MP2363,SOIC,8P,4.9x3	1	S.A	
...4	IC012	1203-005218	IC-POSI.ADJUST REG.;AP1086DL,TO-252,3P,6	1	S.A	
...4	IC118	1204-002779	IC-VIDEO PROCESS;S4LF122X01,PBGA,208P,17	1	S.A	
...4	IC7001	1204-002861	IC-DECODER;UPD61211GM-104-GAA-A,QFP,216P	1	S.A	
...4	IC118	1204-002869	IC-VIDEO PROCESS;MT8226FJ,BGA,569P,31x31	1	S.A	
...4	D3107	1405-001185	VARISTOR;24Vdc,1.6x0.8x0.36mm,TP	1	S.A	
...4	D3110	1405-001185	VARISTOR;24Vdc,1.6x0.8x0.36mm,TP	1	S.A	
...4	D3113	1405-001185	VARISTOR;24Vdc,1.6x0.8x0.36mm,TP	1	S.A	
...4	D5502	1405-001185	VARISTOR;24Vdc,1.6x0.8x0.36mm,TP	1	S.A	
...4	R110	2007-000029	R-CHIP;0ohm,5%,1/8W,TP,2012	1	S.A	
...4	R110	2007-000029	R-CHIP;0ohm,5%,1/8W,TP,2012	1	S.A	
...4	R110	2007-000040	R-CHIP;150ohm,1%,1/10W,TP,1608	1	S.A	
...4	R110	2007-000052	R-CHIP;10Kohm,1%,1/10W,TP,1608	1	S.A	
...4	R110	2007-000052	R-CHIP;10Kohm,1%,1/10W,TP,1608	1	S.A	
...4	R110	2007-000052	R-CHIP;10Kohm,1%,1/10W,TP,1608	1	S.A	
...4	R110	2007-000052	R-CHIP;10Kohm,1%,1/10W,TP,1608	1	S.A	
...4	R110	2007-000052	R-CHIP;10Kohm,1%,1/10W,TP,1608	1	S.A	
...4	R110	2007-000052	R-CHIP;10Kohm,1%,1/10W,TP,1608	1	S.A	
...4	R110	2007-000052	R-CHIP;10Kohm,1%,1/10W,TP,1608	1	S.A	
...4	R110	2007-000052	R-CHIP;10Kohm,1%,1/10W,TP,1608	1	S.A	
...4	R110	2007-000052	R-CHIP;10Kohm,1%,1/10W,TP,1608	1	S.A	
...4	R110	2007-000052	R-CHIP;10Kohm,1%,1/10W,TP,1608	1	S.A	
...4	R110	2007-000052	R-CHIP;10Kohm,1%,1/10W,TP,1608	1	S.A	
...4	R110	2007-000052	R-CHIP;10Kohm,1%,1/10W,TP,1608	1	S.A	
...4	R110	2007-000052	R-CHIP;10Kohm,1%,1/10W,TP,1608	1	S.A	
...4	R110	2007-000052	R-CHIP;10Kohm,1%,1/10W,TP,1608	1	S.A	
...4	R110	2007-000067	R-CHIP;15Kohm,1%,1/10W,TP,1608	1	S.A	
...4	R110	2007-000074	R-CHIP;100ohm,5%,1/10W,TP,1608	1	S.A	
...4	R110	2007-000074	R-CHIP;100ohm,5%,1/10W,TP,1608	1	S.A	
...4	R110	2007-000074	R-CHIP;100ohm,5%,1/10W,TP,1608	1	S.A	
...4	R110	2007-000074	R-CHIP;100ohm,5%,1/10W,TP,1608	1	S.A	
...4	R110	2007-000074	R-CHIP;100ohm,5%,1/10W,TP,1608	1	S.A	
...4	R110	2007-000074	R-CHIP;100ohm,5%,1/10W,TP,1608	1	S.A	
...4	R110	2007-000074	R-CHIP;100ohm,5%,1/10W,TP,1608	1	S.A	
...4	R110	2007-000078	R-CHIP;1Kohm,5%,1/10W,TP,1608	1	S.A	
...4	R110	2007-000078	R-CHIP;1Kohm,5%,1/10W,TP,1608	1	S.A	
...4	R110	2007-000078	R-CHIP;1Kohm,5%,1/10W,TP,1608	1	S.A	
...4	R110	2007-000078	R-CHIP;1Kohm,5%,1/10W,TP,1608	1	S.A	

















5. Exploded View & Part List

Level	Location No.	Code No.	Description & Specification	Q'ty	SA/SNA	Remark
...4	R110	2007-000174	R-CHIP;47ohm,5%,1/16W,TP,1005	1	S.N.A	
...4	R110	2007-000174	R-CHIP;47ohm,5%,1/16W,TP,1005	1	S.N.A	
...4	R110	2007-000174	R-CHIP;47ohm,5%,1/16W,TP,1005	1	S.N.A	
...4	R110	2007-000174	R-CHIP;47ohm,5%,1/16W,TP,1005	1	S.N.A	
...4	R110	2007-000174	R-CHIP;47ohm,5%,1/16W,TP,1005	1	S.N.A	
...4	R110	2007-000174	R-CHIP;47ohm,5%,1/16W,TP,1005	1	S.N.A	
...4	R110	2007-000174	R-CHIP;47ohm,5%,1/16W,TP,1005	1	S.N.A	
...4	R110	2007-000174	R-CHIP;47ohm,5%,1/16W,TP,1005	1	S.N.A	
...4	R110	2007-000174	R-CHIP;47ohm,5%,1/16W,TP,1005	1	S.N.A	
...4	R110	2007-000174	R-CHIP;47ohm,5%,1/16W,TP,1005	1	S.N.A	
...4	R110	2007-000174	R-CHIP;47ohm,5%,1/16W,TP,1005	1	S.N.A	
...4	R110	2007-000174	R-CHIP;47ohm,5%,1/16W,TP,1005	1	S.N.A	
...4	R110	2007-000174	R-CHIP;47ohm,5%,1/16W,TP,1005	1	S.N.A	
...4	R110	2007-000242	R-CHIP;1.5KOHM,5%,1/16W,TP,1005	1	S.N.A	
...4	R110	2007-000416	R-CHIP;15ohm,5%,1/10W,TP,1608	1	S.A	
...4	R110	2007-000458	R-CHIP;18Kohm,5%,1/10W,TP,1608	1	S.A	
...4	R110	2007-000458	R-CHIP;18Kohm,5%,1/10W,TP,1608	1	S.A	
...4	R110	2007-000539	R-CHIP;200ohm,5%,1/10W,TP,1608	1	S.A	
...4	R110	2007-000539	R-CHIP;200ohm,5%,1/10W,TP,1608	1	S.A	
...4	R110	2007-000539	R-CHIP;200ohm,5%,1/10W,TP,1608	1	S.A	
...4	R110	2007-000539	R-CHIP;200ohm,5%,1/10W,TP,1608	1	S.A	
...4	R110	2007-000570	R-CHIP;220OHM,1%,1/10W,TP,1608	1	S.A	
...4	R110	2007-000583	R-CHIP;22Kohm,1%,1/10W,TP,1608	1	S.A	
...4	R110	2007-000591	R-CHIP;22ohm,1%,1/10W,TP,1608	1	S.A	
...4	R110	2007-000606	R-CHIP;240ohm,1%,1/10W,TP,1608	1	S.A	
...4	R110	2007-000608	R-CHIP;240ohm,5%,1/10W,TP,1608	1	S.A	
...4	R110	2007-000608	R-CHIP;240ohm,5%,1/10W,TP,1608	1	S.A	
...4	R110	2007-000763	R-CHIP;330ohm,1%,1/10W,TP,1608	1	S.A	
...4	R110	2007-000775	R-CHIP;33KOHM,5%,1/16W,TP,1005	1	S.N.A	
...4	R110	2007-000775	R-CHIP;33KOHM,5%,1/16W,TP,1005	1	S.N.A	
...4	R110	2007-000775	R-CHIP;33KOHM,5%,1/16W,TP,1005	1	S.N.A	
...4	R110	2007-000775	R-CHIP;33KOHM,5%,1/16W,TP,1005	1	S.N.A	
...4	R110	2007-000775	R-CHIP;33KOHM,5%,1/16W,TP,1005	1	S.N.A	
...4	R110	2007-000775	R-CHIP;33KOHM,5%,1/16W,TP,1005	1	S.N.A	
...4	R110	2007-000775	R-CHIP;33KOHM,5%,1/16W,TP,1005	1	S.N.A	
...4	R110	2007-000775	R-CHIP;33KOHM,5%,1/16W,TP,1005	1	S.N.A	
...4	R110	2007-000775	R-CHIP;33KOHM,5%,1/16W,TP,1005	1	S.N.A	
...4	R110	2007-000775	R-CHIP;33KOHM,5%,1/16W,TP,1005	1	S.N.A	
...4	R110	2007-000775	R-CHIP;33KOHM,5%,1/16W,TP,1005	1	S.N.A	
...4	R110	2007-000775	R-CHIP;33KOHM,5%,1/16W,TP,1005	1	S.N.A	
...4	R110	2007-000775	R-CHIP;33KOHM,5%,1/16W,TP,1005	1	S.N.A	
...4	R110	2007-000775	R-CHIP;33KOHM,5%,1/16W,TP,1005	1	S.N.A	
...4	R110	2007-000775	R-CHIP;33KOHM,5%,1/16W,TP,1005	1	S.N.A	
...4	R110	2007-000775	R-CHIP;33KOHM,5%,1/16W,TP,1005	1	S.N.A	
...4	R110	2007-000775	R-CHIP;33KOHM,5%,1/16W,TP,1005	1	S.N.A	
...4	R110	2007-000775	R-CHIP;33KOHM,5%,1/16W,TP,1005	1	S.N.A	
...4	R110	2007-000775	R-CHIP;33KOHM,5%,1/16W,TP,1005	1	S.N.A	
...4	R110	2007-000828	R-CHIP;39Kohm,1%,1/10W,TP,1608	1	S.A	
...4	R110	2007-000932	R-CHIP;470OHM,5%,1/16W,TP,1005	1	S.N.A	
...4	R110	2007-000932	R-CHIP;470OHM,5%,1/16W,TP,1005	1	S.N.A	
...4	R110	2007-000932	R-CHIP;470OHM,5%,1/16W,TP,1005	1	S.N.A	







Level	Location No.	Code No.	Description & Specification	Q'ty	SA/SNA	Remark
....4	R110	2007-007306	R-CHIP;100ohm,1%,1/16W,TP,1005	1	S.N.A	
....4	R110	2007-007306	R-CHIP;100ohm,1%,1/16W,TP,1005	1	S.N.A	
....4	R110	2007-007306	R-CHIP;100ohm,1%,1/16W,TP,1005	1	S.N.A	
....4	R110	2007-007306	R-CHIP;100ohm,1%,1/16W,TP,1005	1	S.N.A	
....4	R110	2007-007306	R-CHIP;100ohm,1%,1/16W,TP,1005	1	S.N.A	
....4	R110	2007-007306	R-CHIP;100ohm,1%,1/16W,TP,1005	1	S.N.A	
....4	R110	2007-007306	R-CHIP;100ohm,1%,1/16W,TP,1005	1	S.N.A	
....4	R110	2007-007318	R-CHIP;1Kohm,1%,1/16W,TP,1005	1	S.N.A	
....4	R110	2007-007318	R-CHIP;1Kohm,1%,1/16W,TP,1005	1	S.N.A	
....4	R110	2007-007318	R-CHIP;1Kohm,1%,1/16W,TP,1005	1	S.N.A	
....4	R110	2007-007698	R-CHIP;5.1KOHM,1%,1/16W,TP,1005	1	S.N.A	
....4	R110	2007-007723	R-CHIP;75Kohm,1%,1/10W,TP,1608	1	S.A	
....4	RA5104	2011-000585	R-NETWORK;47ohm,5%,1/16W,L,CHIP,8P,TP,3.	1	S.A	
....4	RA5105	2011-000585	R-NETWORK;47ohm,5%,1/16W,L,CHIP,8P,TP,3.	1	S.A	
....4	RA5106	2011-000585	R-NETWORK;47ohm,5%,1/16W,L,CHIP,8P,TP,3.	1	S.A	
....4	RA5107	2011-000585	R-NETWORK;47ohm,5%,1/16W,L,CHIP,8P,TP,3.	1	S.A	
....4	RA5108	2011-000585	R-NETWORK;47ohm,5%,1/16W,L,CHIP,8P,TP,3.	1	S.A	
....4	RA5109	2011-000585	R-NETWORK;47ohm,5%,1/16W,L,CHIP,8P,TP,3.	1	S.A	
....4	RA3101	2011-000651	R-NETWORK;10ohm,5%,1/16W,L,CHIP,8P,TP,32	1	S.A	
....4	RA3102	2011-000651	R-NETWORK;10ohm,5%,1/16W,L,CHIP,8P,TP,32	1	S.A	
....4	RA3103	2011-000651	R-NETWORK;10ohm,5%,1/16W,L,CHIP,8P,TP,32	1	S.A	
....4	RA3104	2011-000651	R-NETWORK;10ohm,5%,1/16W,L,CHIP,8P,TP,32	1	S.A	
....4	RA3109	2011-000651	R-NETWORK;10ohm,5%,1/16W,L,CHIP,8P,TP,32	1	S.A	
....4	RA3110	2011-000651	R-NETWORK;10ohm,5%,1/16W,L,CHIP,8P,TP,32	1	S.A	
....4	RA3111	2011-000651	R-NETWORK;10ohm,5%,1/16W,L,CHIP,8P,TP,32	1	S.A	
....4	RA3112	2011-000651	R-NETWORK;10ohm,5%,1/16W,L,CHIP,8P,TP,32	1	S.A	
....4	RA3117	2011-000651	R-NETWORK;10ohm,5%,1/16W,L,CHIP,8P,TP,32	1	S.A	
....4	RA3118	2011-000651	R-NETWORK;10ohm,5%,1/16W,L,CHIP,8P,TP,32	1	S.A	
....4	RA5101	2011-000816	R-NETWORK;100ohm,5%,1/16W,L,CHIP,8P,TP,3	1	S.A	
....4	RA7104	2011-000816	R-NETWORK;100ohm,5%,1/16W,L,CHIP,8P,TP,3	1	S.A	
....4	RA2101	2011-000881	R-NETWORK;33ohm,5%,1/16W,L,CHIP,8P,TP,3.	1	S.A	
....4	RA3115	2011-000881	R-NETWORK;33ohm,5%,1/16W,L,CHIP,8P,TP,3.	1	S.A	
....4	RA3116	2011-000881	R-NETWORK;33ohm,5%,1/16W,L,CHIP,8P,TP,3.	1	S.A	
....4	RA5102	2011-000881	R-NETWORK;33ohm,5%,1/16W,L,CHIP,8P,TP,3.	1	S.A	
....4	RA5103	2011-000881	R-NETWORK;33ohm,5%,1/16W,L,CHIP,8P,TP,3.	1	S.A	
....4	RA7103	2011-000881	R-NETWORK;33ohm,5%,1/16W,L,CHIP,8P,TP,3.	1	S.A	
....4	RA7105	2011-000881	R-NETWORK;33ohm,5%,1/16W,L,CHIP,8P,TP,3.	1	S.A	
....4	RA7107	2011-000881	R-NETWORK;33ohm,5%,1/16W,L,CHIP,8P,TP,3.	1	S.A	
....4	RA7108	2011-000881	R-NETWORK;33ohm,5%,1/16W,L,CHIP,8P,TP,3.	1	S.A	
....4	RA7203	2011-000881	R-NETWORK;33ohm,5%,1/16W,L,CHIP,8P,TP,3.	1	S.A	
....4	RA7204	2011-000881	R-NETWORK;33ohm,5%,1/16W,L,CHIP,8P,TP,3.	1	S.A	
....4	R3337_NSID	2011-001001	R-NETWORK;0ohm,5%,1/16W,L,CHIP,8P,TP,3.2	1	S.A	
....4	R3338_NSID	2011-001001	R-NETWORK;0ohm,5%,1/16W,L,CHIP,8P,TP,3.2	1	S.A	
....4	R3339_NSID	2011-001001	R-NETWORK;0ohm,5%,1/16W,L,CHIP,8P,TP,3.2	1	S.A	
....4	RA5243	2011-001001	R-NETWORK;0ohm,5%,1/16W,L,CHIP,8P,TP,3.2	1	S.A	
....4	RA5244	2011-001001	R-NETWORK;0ohm,5%,1/16W,L,CHIP,8P,TP,3.2	1	S.A	
....4	RA5245	2011-001001	R-NETWORK;0ohm,5%,1/16W,L,CHIP,8P,TP,3.2	1	S.A	
....4	RA5246	2011-001001	R-NETWORK;0ohm,5%,1/16W,L,CHIP,8P,TP,3.2	1	S.A	
....4	RA5247	2011-001001	R-NETWORK;0ohm,5%,1/16W,L,CHIP,8P,TP,3.2	1	S.A	
....4	RA6101	2011-001001	R-NETWORK;0ohm,5%,1/16W,L,CHIP,8P,TP,3.2	1	S.A	
....4	RA6169	2011-001001	R-NETWORK;0ohm,5%,1/16W,L,CHIP,8P,TP,3.2	1	S.A	

5. Exploded View & Part List

Level	Location No.	Code No.	Description & Specification	Q'ty	SA/SNA	Remark
...4	RA6170	2011-001001	R-NETWORK;0ohm,5%,1/16W,L,CHIP,8P,TP,3.2	1	S.A	
...4	RA6172	2011-001001	R-NETWORK;0ohm,5%,1/16W,L,CHIP,8P,TP,3.2	1	S.A	
...4	RA6173	2011-001001	R-NETWORK;0ohm,5%,1/16W,L,CHIP,8P,TP,3.2	1	S.A	
...4	RA7009	2011-001011	R-NETWORK;10Kohm,5%,1/16W,L,CHIP,8P,TP,3	1	S.A	
...4	RA7010	2011-001011	R-NETWORK;10Kohm,5%,1/16W,L,CHIP,8P,TP,3	1	S.A	
...4	RA7011	2011-001011	R-NETWORK;10Kohm,5%,1/16W,L,CHIP,8P,TP,3	1	S.A	
...4	RA7012	2011-001011	R-NETWORK;10Kohm,5%,1/16W,L,CHIP,8P,TP,3	1	S.A	
...4	RA7209	2011-001011	R-NETWORK;10Kohm,5%,1/16W,L,CHIP,8P,TP,3	1	S.A	
...4	RA7001	2011-001087	R-NETWORK;75ohm,5%,1/16W,L,CHIP,8P,TP,3.	1	S.A	
...4	RA7002	2011-001087	R-NETWORK;75ohm,5%,1/16W,L,CHIP,8P,TP,3.	1	S.A	
...4	RA7003	2011-001087	R-NETWORK;75ohm,5%,1/16W,L,CHIP,8P,TP,3.	1	S.A	
...4	RA7004	2011-001087	R-NETWORK;75ohm,5%,1/16W,L,CHIP,8P,TP,3.	1	S.A	
...4	RA7005	2011-001087	R-NETWORK;75ohm,5%,1/16W,L,CHIP,8P,TP,3.	1	S.A	
...4	RA7006	2011-001087	R-NETWORK;75ohm,5%,1/16W,L,CHIP,8P,TP,3.	1	S.A	
...4	RA7007	2011-001087	R-NETWORK;75ohm,5%,1/16W,L,CHIP,8P,TP,3.	1	S.A	
...4	RA7008	2011-001087	R-NETWORK;75ohm,5%,1/16W,L,CHIP,8P,TP,3.	1	S.A	
...4	RA7101	2011-001087	R-NETWORK;75ohm,5%,1/16W,L,CHIP,8P,TP,3.	1	S.A	
...4	RA7205	2011-001087	R-NETWORK;75ohm,5%,1/16W,L,CHIP,8P,TP,3.	1	S.A	
...4	RA7210	2011-001087	R-NETWORK;75ohm,5%,1/16W,L,CHIP,8P,TP,3.	1	S.A	
...4	RA2102	2011-001093	R-NETWORK;100ohm,5%,1/16W,L,CHIP,8P,TP,3	1	S.A	
...4	RA2103	2011-001093	R-NETWORK;100ohm,5%,1/16W,L,CHIP,8P,TP,3	1	S.A	
...4	RA7201	2011-001093	R-NETWORK;100ohm,5%,1/16W,L,CHIP,8P,TP,3	1	S.A	
...4	RA7202	2011-001093	R-NETWORK;100ohm,5%,1/16W,L,CHIP,8P,TP,3	1	S.A	
...4	C120	2203-000206	C-CER,CHIP;100nF,10%,50V,X7R,2012	1	S.A	
...4	C120	2203-000233	C-CER,CHIP;0.1nF,5%,50V,C0G,1005	1	S.A	
...4	C120	2203-000233	C-CER,CHIP;0.1nF,5%,50V,C0G,1005	1	S.A	
...4	C120	2203-000233	C-CER,CHIP;0.1nF,5%,50V,C0G,1005	1	S.A	
...4	C120	2203-000233	C-CER,CHIP;0.1nF,5%,50V,C0G,1005	1	S.A	
...4	C120	2203-000233	C-CER,CHIP;0.1nF,5%,50V,C0G,1005	1	S.A	
...4	C120	2203-000233	C-CER,CHIP;0.1nF,5%,50V,C0G,1005	1	S.A	
...4	C120	2203-000233	C-CER,CHIP;0.1nF,5%,50V,C0G,1005	1	S.A	
...4	C120	2203-000233	C-CER,CHIP;0.1nF,5%,50V,C0G,1005	1	S.A	
...4	C120	2203-000233	C-CER,CHIP;0.1nF,5%,50V,C0G,1005	1	S.A	
...4	C120	2203-000233	C-CER,CHIP;0.1nF,5%,50V,C0G,1005	1	S.A	
...4	C120	2203-000257	C-CER,CHIP;10nF,10%,50V,X7R,TP,1608	1	S.A	
...4	C120	2203-000257	C-CER,CHIP;10nF,10%,50V,X7R,TP,1608	1	S.A	
...4	C120	2203-000332	C-CER,CHIP;0.012nF,5%,50V,C0G,1608	1	S.A	
...4	C120	2203-000332	C-CER,CHIP;0.012nF,5%,50V,C0G,1608	1	S.A	
...4	C120	2203-000386	C-CER,CHIP;0.015nF,5%,50V,C0G,1005	1	S.A	
...4	C120	2203-000386	C-CER,CHIP;0.015nF,5%,50V,C0G,1005	1	S.A	
...4	C120	2203-000386	C-CER,CHIP;0.015nF,5%,50V,C0G,1005	1	S.A	
...4	C120	2203-000425	C-CER,CHIP;0.018nF,5%,50V,C0G,1005	1	S.A	
...4	C120	2203-000425	C-CER,CHIP;0.018nF,5%,50V,C0G,1005	1	S.A	
...4	C120	2203-000438	C-CER,CHIP;1nF,10%,50V,X7R,1005	1	S.A	
...4	C120	2203-000438	C-CER,CHIP;1nF,10%,50V,X7R,1005	1	S.A	
...4	C120	2203-000438	C-CER,CHIP;1nF,10%,50V,X7R,1005	1	S.A	
...4	C120	2203-000438	C-CER,CHIP;1nF,10%,50V,X7R,1005	1	S.A	
...4	C120	2203-000438	C-CER,CHIP;1nF,10%,50V,X7R,1005	1	S.A	
...4	C120	2203-000438	C-CER,CHIP;1nF,10%,50V,X7R,1005	1	S.A	
...4	C120	2203-000438	C-CER,CHIP;1nF,10%,50V,X7R,1005	1	S.A	
...4	C120	2203-000438	C-CER,CHIP;1nF,10%,50V,X7R,1005	1	S.A	
...4	C120	2203-000438	C-CER,CHIP;1nF,10%,50V,X7R,1005	1	S.A	

## 5. Exploded View &amp; Part List

Level	Location No.	Code No.	Description & Specification	Q'ty	SA/SNA	Remark
...4	C120	2203-000438	C-CER,CHIP;1nF,10%,50V,X7R,1005	1	S.A	
...4	C120	2203-000438	C-CER,CHIP;1nF,10%,50V,X7R,1005	1	S.A	
...4	C120	2203-000438	C-CER,CHIP;1nF,10%,50V,X7R,1005	1	S.A	
...4	C120	2203-000438	C-CER,CHIP;1nF,10%,50V,X7R,1005	1	S.A	
...4	C120	2203-000438	C-CER,CHIP;1nF,10%,50V,X7R,1005	1	S.A	
...4	C120	2203-000438	C-CER,CHIP;1nF,10%,50V,X7R,1005	1	S.A	
...4	C120	2203-000438	C-CER,CHIP;1nF,10%,50V,X7R,1005	1	S.A	
...4	C120	2203-000438	C-CER,CHIP;1nF,10%,50V,X7R,1005	1	S.A	
...4	C120	2203-000489	C-CER,CHIP;2.2nF,10%,50V,X7R,1005	1	S.A	
...4	C120	2203-000489	C-CER,CHIP;2.2nF,10%,50V,X7R,1005	1	S.A	
...4	C120	2203-000489	C-CER,CHIP;2.2nF,10%,50V,X7R,1005	1	S.A	
...4	C120	2203-000489	C-CER,CHIP;2.2nF,10%,50V,X7R,1005	1	S.A	
...4	C120	2203-000489	C-CER,CHIP;2.2nF,10%,50V,X7R,1005	1	S.A	
...4	C120	2203-000550	C-CER,CHIP;0.02nF,5%,50V,C0G,1005	1	S.N.A	
...4	C120	2203-000550	C-CER,CHIP;0.02nF,5%,50V,C0G,1005	1	S.N.A	
...4	C120	2203-000627	C-CER,CHIP;0.022nF,5%,50V,C0G,1005	1	S.N.A	
...4	C120	2203-000627	C-CER,CHIP;0.022nF,5%,50V,C0G,1005	1	S.N.A	
...4	C120	2203-000627	C-CER,CHIP;0.022nF,5%,50V,C0G,1005	1	S.N.A	
...4	C120	2203-000627	C-CER,CHIP;0.022nF,5%,50V,C0G,1005	1	S.N.A	
...4	C120	2203-000714	C-CER,CHIP;3.3nF,10%,50V,X7R,TP,1005,-	1	S.A	
...4	C120	2203-000714	C-CER,CHIP;3.3nF,10%,50V,X7R,TP,1005,-	1	S.A	
...4	C120	2203-000783	C-CER,CHIP;0.33nF,5%,50V,C0G,1608	1	S.A	
...4	C120	2203-000783	C-CER,CHIP;0.33nF,5%,50V,C0G,1608	1	S.A	
...4	C120	2203-000783	C-CER,CHIP;0.33nF,5%,50V,C0G,1608	1	S.A	
...4	C120	2203-000783	C-CER,CHIP;0.33nF,5%,50V,C0G,1608	1	S.A	
...4	C120	2203-000783	C-CER,CHIP;0.33nF,5%,50V,C0G,1608	1	S.A	
...4	C120	2203-000783	C-CER,CHIP;0.33nF,5%,50V,C0G,1608	1	S.A	
...4	C120	2203-000783	C-CER,CHIP;0.33nF,5%,50V,C0G,1608	1	S.A	
...4	C120	2203-000815	C-CER,CHIP;0.033nF,5%,50V,C0G,1608	1	S.A	
...4	C120	2203-000815	C-CER,CHIP;0.033nF,5%,50V,C0G,1608	1	S.A	
...4	C120	2203-000925	C-CER,CHIP;470nF,+80-20%,50V,Y5V,2012	1	S.A	
...4	C120	2203-000925	C-CER,CHIP;470nF,+80-20%,50V,Y5V,2012	1	S.A	
...4	C120	2203-000975	C-CER,CHIP;47nF,10%,25V,X7R,TP,1608,-	1	S.A	
...4	C120	2203-000975	C-CER,CHIP;47nF,10%,25V,X7R,TP,1608,-	1	S.A	
...4	C120	2203-000975	C-CER,CHIP;47nF,10%,25V,X7R,TP,1608,-	1	S.A	
...4	C120	2203-000975	C-CER,CHIP;47nF,10%,25V,X7R,TP,1608,-	1	S.A	
...4	C120	2203-000975	C-CER,CHIP;47nF,10%,25V,X7R,TP,1608,-	1	S.A	
...4	C120	2203-000975	C-CER,CHIP;47nF,10%,25V,X7R,TP,1608,-	1	S.A	
...4	C120	2203-000975	C-CER,CHIP;47nF,10%,25V,X7R,TP,1608,-	1	S.A	
...4	C120	2203-000975	C-CER,CHIP;47nF,10%,25V,X7R,TP,1608,-	1	S.A	
...4	C120	2203-000998	C-CER,CHIP;0.047nF,5%,50V,C0G,1608	1	S.A	
...4	C120	2203-000998	C-CER,CHIP;0.047nF,5%,50V,C0G,1608	1	S.A	
...4	C120	2203-000998	C-CER,CHIP;0.047nF,5%,50V,C0G,1608	1	S.A	
...4	C120	2203-000998	C-CER,CHIP;0.047nF,5%,50V,C0G,1608	1	S.A	
...4	C120	2203-000998	C-CER,CHIP;0.047nF,5%,50V,C0G,1608	1	S.A	
...4	C120	2203-000998	C-CER,CHIP;0.047nF,5%,50V,C0G,1608	1	S.A	
...4	C120	2203-001153	C-CER,CHIP;0.068nF,5%,50V,NP0,1005	1	S.A	
...4	C120	2203-001153	C-CER,CHIP;0.068nF,5%,50V,NP0,1005	1	S.A	
...4	C120	2203-001153	C-CER,CHIP;0.068nF,5%,50V,NP0,1005	1	S.A	
...4	C120	2203-001153	C-CER,CHIP;0.068nF,5%,50V,NP0,1005	1	S.A	
...4	C120	2203-001153	C-CER,CHIP;0.068nF,5%,50V,NP0,1005	1	S.A	
...4	C120	2203-001153	C-CER,CHIP;0.068nF,5%,50V,NP0,1005	1	S.A	
...4	C120	2203-001153	C-CER,CHIP;0.068nF,5%,50V,NP0,1005	1	S.A	

















## 5. Exploded View &amp; Part List

Level	Location No.	Code No.	Description & Specification	Q'ty	SA/SNA	Remark
...4	C120	2203-006681	C-CER,CHIP;100nF,+80-20%,25V,Y5V,1005	1	S.N.A	
...4	C120	2203-006681	C-CER,CHIP;100nF,+80-20%,25V,Y5V,1005	1	S.N.A	
...4	C120	2203-006681	C-CER,CHIP;100nF,+80-20%,25V,Y5V,1005	1	S.N.A	
...4	C120	2203-006681	C-CER,CHIP;100nF,+80-20%,25V,Y5V,1005	1	S.N.A	
...4	C120	2203-006681	C-CER,CHIP;100nF,+80-20%,25V,Y5V,1005	1	S.N.A	
...4	C120	2203-006681	C-CER,CHIP;100nF,+80-20%,25V,Y5V,1005	1	S.N.A	
...4	C120	2203-006681	C-CER,CHIP;100nF,+80-20%,25V,Y5V,1005	1	S.N.A	
...4	C120	2203-006681	C-CER,CHIP;100nF,+80-20%,25V,Y5V,1005	1	S.N.A	
...4	C120	2203-006681	C-CER,CHIP;100nF,+80-20%,25V,Y5V,1005	1	S.N.A	
...4	C120	2203-006681	C-CER,CHIP;100nF,+80-20%,25V,Y5V,1005	1	S.N.A	
...4	C120	2203-006681	C-CER,CHIP;100nF,+80-20%,25V,Y5V,1005	1	S.N.A	
...4	C120	2203-006681	C-CER,CHIP;100nF,+80-20%,25V,Y5V,1005	1	S.N.A	
...4	C120	2203-006681	C-CER,CHIP;100nF,+80-20%,25V,Y5V,1005	1	S.N.A	
...4	C120	2203-006681	C-CER,CHIP;100nF,+80-20%,25V,Y5V,1005	1	S.N.A	
...4	C120	2203-006681	C-CER,CHIP;100nF,+80-20%,25V,Y5V,1005	1	S.N.A	
...4	C120	2203-006681	C-CER,CHIP;100nF,+80-20%,25V,Y5V,1005	1	S.N.A	
...4	C120	2203-006681	C-CER,CHIP;100nF,+80-20%,25V,Y5V,1005	1	S.N.A	
...4	C120	2203-006681	C-CER,CHIP;100nF,+80-20%,25V,Y5V,1005	1	S.N.A	
...4	C120	2203-006681	C-CER,CHIP;100nF,+80-20%,25V,Y5V,1005	1	S.N.A	
...4	C120	2203-006992	C-CER,CHIP;0.33nF,5%,50V,C0G,1005	1	S.N.A	
...4	C120	2203-007176	C-CER,CHIP;10000nF,10%,16V,X5R,TP,2012 (	1	S.N.A	
...4	C120	2203-007176	C-CER,CHIP;10000nF,10%,16V,X5R,TP,2012 (	1	S.N.A	
...4	C120	2203-007176	C-CER,CHIP;10000nF,10%,16V,X5R,TP,2012 (	1	S.N.A	
...4	C120	2203-007176	C-CER,CHIP;10000nF,10%,16V,X5R,TP,2012 (	1	S.N.A	
...4	C120	2203-007176	C-CER,CHIP;10000nF,10%,16V,X5R,TP,2012 (	1	S.N.A	
...4	C120	2203-007176	C-CER,CHIP;10000nF,10%,16V,X5R,TP,2012 (	1	S.N.A	
...4	C120	2203-007176	C-CER,CHIP;10000nF,10%,16V,X5R,TP,2012 (	1	S.N.A	
...4	C120	2203-007176	C-CER,CHIP;10000nF,10%,16V,X5R,TP,2012 (	1	S.N.A	
...4	C120	2203-007176	C-CER,CHIP;10000nF,10%,16V,X5R,TP,2012 (	1	S.N.A	
...4	C120	2203-007176	C-CER,CHIP;10000nF,10%,16V,X5R,TP,2012 (	1	S.N.A	
...4	C120	2203-007176	C-CER,CHIP;10000nF,10%,16V,X5R,TP,2012 (	1	S.N.A	
...4	C1120	2402-001128	C-AL,SMD;100##F,20%,16V,-,TP,6.3X5.7mm	1	S.A	
...4	C1121	2402-001128	C-AL,SMD;100##F,20%,16V,-,TP,6.3X5.7mm	1	S.A	
...4	C2139	2402-001128	C-AL,SMD;100##F,20%,16V,-,TP,6.3X5.7mm	1	S.A	
...4	C2140	2402-001128	C-AL,SMD;100##F,20%,16V,-,TP,6.3X5.7mm	1	S.A	
...4	C3170	2402-001128	C-AL,SMD;100##F,20%,16V,-,TP,6.3X5.7mm	1	S.A	
...4	C3189	2402-001129	C-AL,SMD;47UF,20%,16V,WT,TP,6.3X5.2MM	1	S.A	
...4	C1163	2402-001210	C-POLYMER AL CHIP;100uF,20%,10V,WT,TP,7.	1	S.A	
...4	C1169	2402-001210	C-POLYMER AL CHIP;100uF,20%,10V,WT,TP,7.	1	S.A	
...4	C5120	2402-001210	C-POLYMER AL CHIP;100uF,20%,10V,WT,TP,7.	1	S.A	
...4	C5355	2402-001210	C-POLYMER AL CHIP;100uF,20%,10V,WT,TP,7.	1	S.A	
...4	C1351	2409-001118	C-POLYMER ,CHIP;47uF,+20,10V,WT,REEL,3.	1	S.A	
...4	T0052	2703-000398	INDUCTOR-SMD;10uH,10%,3225	1	S.A	
...4	T0052	2703-000398	INDUCTOR-SMD;10uH,10%,3225	1	S.A	
...4	T0052	2703-000417	INDUCTOR-SMD;220uH,5%,3225	1	S.A	
...4	T0052	2703-001334	INDUCTOR-SMD;1.5uH,10%,2012	1	S.A	
...4	T0052	2703-001334	INDUCTOR-SMD;1.5uH,10%,2012	1	S.A	
...4	T0052	2703-001334	INDUCTOR-SMD;1.5uH,10%,2012	1	S.A	
...4	T0052	2703-001334	INDUCTOR-SMD;1.5uH,10%,2012	1	S.A	
...4	T0052	2703-001426	INDUCTOR-SMD;680uH,20%,7070	1	S.A	
...4	T0052	2703-002722	INDUCTOR-SMD;22uH,20%,12x12mm	1	S.A	
...4	T0052	2703-002722	INDUCTOR-SMD;22uH,20%,12x12mm	1	S.A	
...4	L2101	2704-000018	INDUCTOR-SMD-ARRAY;15uH,2000mA,2,0.124oh	1	S.N.A	
...4	L2102	2704-000018	INDUCTOR-SMD-ARRAY;15uH,2000mA,2,0.124oh	1	S.N.A	
...4	X202	2801-003326	CRYSTAL-SMD;24MHZ,30PPM,28-ABX,20PF,50OH	1	S.A	
...4	X202	2801-003954	CRYSTAL-SMD;27MHz,30ppm,28-AAN,16pF,50oh	1	S.A	
...4	X202	2801-003954	CRYSTAL-SMD;27MHz,30ppm,28-AAN,16pF,50oh	1	S.A	
...4	F103	2901-001114	FILTER-EMI SMD;25VDC,2.0ADC,-,100nF,3.2x	1	S.A	
...4	F103	2901-001302	FILTER-EMI SMD;20V,0.3A,0pF,2.0x1.2x1.3m	1	S.A	
...4	F103	2901-001302	FILTER-EMI SMD;20V,0.3A,0pF,2.0x1.2x1.3m	1	S.A	



## 5. Exploded View &amp; Part List

Level	Location No.	Code No.	Description & Specification	Q'ty	SA/SNA	Remark
...4	T0568	3301-001569	BEAD-SMD;600ohm,2012,1000mA,TP,520ohm/90	1	S.N.A	
...4	T0568	3301-001569	BEAD-SMD;600ohm,2012,1000mA,TP,520ohm/90	1	S.N.A	
...4	T0568	3301-001569	BEAD-SMD;600ohm,2012,1000mA,TP,520ohm/90	1	S.N.A	
...4	T0568	3301-001569	BEAD-SMD;600ohm,2012,1000mA,TP,520ohm/90	1	S.N.A	
...4	T0568	3301-001569	BEAD-SMD;600ohm,2012,1000mA,TP,520ohm/90	1	S.N.A	
...4	T0568	3301-001569	BEAD-SMD;600ohm,2012,1000mA,TP,520ohm/90	1	S.N.A	
...4	T0568	3301-001569	BEAD-SMD;600ohm,2012,1000mA,TP,520ohm/90	1	S.N.A	
...4	T0568	3301-001569	BEAD-SMD;600ohm,2012,1000mA,TP,520ohm/90	1	S.N.A	
...4	T0568	3301-001569	BEAD-SMD;600ohm,2012,1000mA,TP,520ohm/90	1	S.N.A	
...4	T0568	3301-001569	BEAD-SMD;600ohm,2012,1000mA,TP,520ohm/90	1	S.N.A	
...4	JA3102	3701-001367	CONNECTOR-HDMI;19P,2R,FEMALE,SMD,AU	1	S.A	
...4	JA3103	3701-001367	CONNECTOR-HDMI;19P,2R,FEMALE,SMD,AU	1	S.A	
...4	CN330	3711-005925	HEADER-BOARD TO CABLE;BOX,51P,1R,0.5mm,S	1	S.N.A	
...4	T0077	BN41-00974A	PCB MAIN;Amber,FR-4,4,1.0,192*240,1	1	S.N.A	
...4	M0018	BN97-02049A	ASSY MICOM;T-PRLPEUMD,N46A,2007.11.26,11	1	S.N.A	
....5	IC115	1107-001415	IC-FLASH MEMORY;29W320D,4Mx8/2Mx16Bit,TS	1	S.N.A	
...4	M0018	BN97-02049B	ASSY MICOM;T-PRLPEUS,N46A,2007.11.26,090	1	S.N.A	
....5	IC520	0903-001552	IC-MICROCONTROLLER;WT61P8-RG480WT,LQFP,4	1	S.A	
...4	M0018	BN97-02049C	ASSY MICOM;T-PERLDEUC,N46A,2007.11.26,11	1	S.N.A	
....5	IC115	1107-001415	IC-FLASH MEMORY;29W320D,4Mx8/2Mx16Bit,TS	1	S.N.A	
...4	R110	2007-000070	R-CHIP;0ohm,5%,1/10W,TP,1608	1	S.A	
...4	R110	2007-000070	R-CHIP;0ohm,5%,1/10W,TP,1608	1	S.A	
...4	R110	2007-000070	R-CHIP;0ohm,5%,1/10W,TP,1608	1	S.A	
...4	R110	2007-000070	R-CHIP;0ohm,5%,1/10W,TP,1608	1	S.A	
...4	R110	2007-000070	R-CHIP;0ohm,5%,1/10W,TP,1608	1	S.A	
...4	R110	2007-007001	R-CHIP;3.9KOHM,5%,1/16W,TP,1005	1	S.A	
...4	C120	2203-000440	C-CER,CHIP;1nF,10%,50V,X7R,1608	1	S.A	
...4	C120	2203-000440	C-CER,CHIP;1nF,10%,50V,X7R,1608	1	S.A	
...4	C6151_OP	2402-001259	C-AL,SMD;220uF,20%,16V,WT,REEL,8X10	1	S.A	
...4	C2160	2402-001273	C-AL,SMD;220uF,20%,35V,WT,REEL,10X10mm	1	S.A	
...4	C1140	2409-001118	C-POLYMER ,CHIP;47uF,+20,10V,WT,REEL,3.	1	S.A	
...4	C5521	2409-001118	C-POLYMER ,CHIP;47uF,+20,10V,WT,REEL,3.	1	S.A	
...4	C5522	2409-001118	C-POLYMER ,CHIP;47uF,+20,10V,WT,REEL,3.	1	S.A	
...4	CN330	3711-006374	HEADER-BOARD TO CABLE;BOX,41P,2R,1.25mm,	1	S.A	
...4	IC104	0801-002633	IC-CMOS LOGIC;7WBD3125,2bit BUS SWITCH,S	1	S.A	
...4	IC104	0801-002633	IC-CMOS LOGIC;7WBD3125,2bit BUS SWITCH,S	1	S.A	
...4	IC104	0801-002633	IC-CMOS LOGIC;7WBD3125,2bit BUS SWITCH,S	1	S.A	
...4	IC104	0801-002633	IC-CMOS LOGIC;7WBD3125,2bit BUS SWITCH,S	1	S.A	
...4	R110	2007-002425	R-CHIP;1ohm,5%,1/10W,TP,1608	1	S.A	
...4	R110	2007-002425	R-CHIP;1ohm,5%,1/10W,TP,1608	1	S.A	
...4	R110	2007-002425	R-CHIP;1ohm,5%,1/10W,TP,1608	1	S.A	
...4	R110	2007-002425	R-CHIP;1ohm,5%,1/10W,TP,1608	1	S.A	
...4	R110	2007-002425	R-CHIP;1ohm,5%,1/10W,TP,1608	1	S.A	
...4	R110	2007-002425	R-CHIP;1ohm,5%,1/10W,TP,1608	1	S.A	
...4	C120	2203-006158	C-CER,CHIP;100nF,10%,16V,X7R,1005	1	S.N.A	
...4	C1207	2402-001238	C-AL,SMD;1uF,20%,50V,HR,TP,4.3x4.3x5.2mm	1	S.A	
...3	T0603	BN63-04510A	SHIELD-PCB MAIN;PEARL32, EO, TOP, SPTE, T0.	1	S.N.A	
...3	T0603	BN63-04512A	SHIELD-PCB MAIN;PEARL32,EO,BOT,SPTE T0.3	1	S.N.A	
...3	SUB09_MTK	BN73-00024B	SILICON/RUBBER-GAP PAD;POSEIDON,SILICON,	1	S.N.A	
...3	SUB10_FBE	BN73-00176A	SILICON/RUBBER-GAPPAD;EDISON 24,SILICON+	1	S.A	

5. Exploded View & Part List

Level	Location No.	Code No.	Description & Specification	Q'ty	SA/SNA	Remark
0.1		BN91-02025B	ASSY SHIELD-AAE;LE40A557P7FX/XC	1	S.N.A	
..2	M0081	6003-000115	SCREW-TAPTITE;BH,+,B,M3,L6,ZPC(BLK),SWRC	6	S.A	
..2	M0081	6003-000115	SCREW-TAPTITE;BH,+,B,M3,L6,ZPC(BLK),SWRC	6	S.A	
..2	M0081	6003-000115	SCREW-TAPTITE;BH,+,B,M3,L6,ZPC(BLK),SWRC	1	S.A	
..2	M0081	6003-000337	SCREW-TAPTITE;BH,+,S,M4,L10,ZPC(BLK),SWR	3	S.A	
..2	M0081	6003-000337	SCREW-TAPTITE;BH,+,S,M4,L10,ZPC(BLK),SWR	1	S.A	
..2	M0081	6003-000337	SCREW-TAPTITE;BH,+,S,M4,L10,ZPC(BLK),SWR	1	S.A	
..2	M0081	6003-000337	SCREW-TAPTITE;BH,+,S,M4,L10,ZPC(BLK),SWR	1	S.A	
..2	M0081	6003-000337	SCREW-TAPTITE;BH,+,S,M4,L10,ZPC(BLK),SWR	2	S.A	
..2	M0081	6003-001188	SCREW-TAPTITE;BH,+,-,B,M4,L10,ZPC(WHT),S	2	S.N.A	
..2	M0081	6003-001188	SCREW-TAPTITE;BH,+,-,B,M4,L10,ZPC(WHT),S	2	S.N.A	
..2	M0081	6003-001188	SCREW-TAPTITE;BH,+,-,B,M4,L10,ZPC(WHT),S	1	S.N.A	
..2	M0081	6003-001188	SCREW-TAPTITE;BH,+,-,B,M4,L10,ZPC(WHT),S	2	S.N.A	
..2	M0081	6003-001439	SCREW-TAPTITE;BH,+,-,S,M4,L8,ZPC(WHT),SW	1	S.N.A	
..2	M0081	6006-001096	SCREW-TAPTITE;BH,+,WP,B,M4.0,L12,ZPC(BLK	2	S.N.A	
..2	M2893	BN39-00674A	LEAD CONNECTOR;LNR469DX/XAA,UL1007#26,5P	1	S.A	
..2	M2893	BN39-00802F	LEAD CONNECTOR;LE46S86BDX,UL1007#26,24PI	1	S.A	
..2	M2893	BN39-00851A	LEAD CONNECTOR;LE40M73BD,UL3443 #28,7P,3	1	S.A	
..2	M2893	BN39-01021A	LEAD CONNECTOR;LN46A550P,UL1007#26,2pin,	1	S.A	
..2	M0174	BN44-00199A	IP BOARD;IP-211135,PEARL,15mA,130mA,150H	1	S.A	
..2	M0114	BN61-02500A	HOLDER-WIRE;NYLON6.6,NATURAL	2	S.N.A	
..2	M0254	BN61-02875E	HOLDER-SIDE AV;40F8,EO,HIPS V0,-,-,BK5	1	S.N.A	
...3		BN81-00199H	RESIN;HIPS HB,BK500,HF-1690H,K2901	0.017	S.N.A	
..2	M0115	BN61-02882A	BRACKET-STAND LINK;TULIP,40,SECC,T1.6,-,	1	S.A	
..2	M0146	BN61-03414A	BRACKET-PANEL TOP;PEONY52,SECC T1.2	2	S.N.A	
..2	T0101	BN61-03700A	BRACKET-WALL;L450 40INCH,SECC,T1.0	1	S.N.A	
..2	M0107	BN63-03039A	SHIELD-COVER;MURANO40,PCM,T0.5,IDTV	1	S.N.A	
..2	M0125	BN96-04817B	ASSY INLET P;LNT4081FX,XAA,250mm,250mm,-	1	S.A	
..2	T0175	BN96-06809B	ASSY SPEAKER P;8ohm,L530 40"/46",Down Fi	1	S.A	
..2	T0447	BN96-06960A	ASSY BRACKET P-PANEL;40A450C,SECC,T1.0,C	1	S.N.A	
...3	M0081	6003-001188	SCREW-TAPTITE;BH,+,-,B,M4,L10,ZPC(WHT),S	1	S.N.A	
...3	M0081	6003-001188	SCREW-TAPTITE;BH,+,-,B,M4,L10,ZPC(WHT),S	1	S.N.A	
...3	M0081	6003-001188	SCREW-TAPTITE;BH,+,-,B,M4,L10,ZPC(WHT),S	1	S.N.A	
...3	M0081	6003-001188	SCREW-TAPTITE;BH,+,-,B,M4,L10,ZPC(WHT),S	1	S.N.A	
...3	M0131	AA63-01438A	GASKET;Bordeaux,Conductive Fabric,7mm,8m	1	S.N.A	
...3		BN61-02879A	BRACKET-GUIDE MAIN;TULIP,40,SECC,T1.2,-,	1	S.N.A	
...3		BN61-02880A	BRACKET-GUIDE POWER R;TULIP,40,SECC,T1.2	1	S.N.A	
...3		BN61-02881A	BRACKET-GUIDE POWER L;TULIP,40,SECC,T1.2	1	S.N.A	
...3		BN61-03697A	BRACKET-GUIDE POWER;L450 40INCH,SECC,T1.	1	S.N.A	
...3		BN61-03861A	BRACKET-PANEL BOTTOM;L450 40INCH,SECC,T1	1	S.N.A	
...3	M0131	BN63-03519A	GASKET;Tulip,Conductive Fabric,10,14,300	3	S.N.A	
..2	M0214	BN96-07161J	ASSY CABLE P-FLAT LVDS;LE40A556P1FXXC,FF	1	S.A	
0.1		BN91-02030A	ASSY LCD-AUO;LE40A556P1FX/XC,T400HW02 V1	1	S.N.A	
..2	M0215	BN07-00516A	LCD-PANEL;T400HW02 V1,8bit,40inch,16.7M,	1	S.A	
0.1	M0003	BN92-03225F	ASSY BOX;40L530,EO(iDTV),P3	1	S.N.A	
..2	M0521	BN69-02287A	BOX-SET,IN;L450-40,CB,A1,DY-01,W1463,D75	1	S.N.A	
..2		BN69-02436B	BOX-SET,OUT;L550P3-40,CB,C3,DY-01,W1073,	1	S.N.A	
0.1	M0113	BN92-03230B	ASSY P/MATERIAL;40L530,W/W	1	S.N.A	

## 5. Exploded View &amp; Part List

Level	Location No.	Code No.	Description & Specification	Q'ty	SA/SNA	Remark
..2	T0524	6902-000524	BAG PE;HDPE/NITRON,T0.015/T0.5,W1200,L11	1	S.N.A	
..2	T0003	6902-000604	BAG WRAPPING;LDPE,T0.02,W500,L10000,TRP,	7.5	S.N.A	
..2		6922-000003	BAND PP;PP,T0.8,W18,L1650M,TRP,DA69-9014	4.83	S.N.A	
..2	T0214	AA61-00049B	HOLDER-BOX;DP,AA61-20285A,PP,NTR,V0	2	S.N.A	
..2	T0214	BN74-00008A	TAPE-OPP MASKING;OPP-2,T0.05,W100,L800M,	1.23	S.N.A	
0.1	M0019	BN92-03261F	ASSY LABEL;LE40A557P2FX*	1	S.N.A	
0.1	M0045	BN92-03267E	ASSY ACCESSORY;LE37A558P3FXXC	1	S.N.A	
..2	M0045	BN96-07178A	ASSY ACCESSORY-MANUAL;LE46A556P1FXXC,N46	1	S.A	
...3	T0524	6902-000110	BAG PE;LDPE,T0.05,W250,L400,TRP,28,2	1	S.N.A	
...3	T0210	AA68-03242K	MANUAL FLYER-01,SAFETY GUIDE;comm,Samsun	1	S.N.A	
...3		AA68-03575A	MANUAL FLYER-02,REGISTRATION C;XEU,ENG,U	1	S.N.A	
...3		AA68-03575B	MANUAL FLYER-02,REGISTRATION C;XEG,GERMA	1	S.N.A	
...3		AA68-03575C	MANUAL FLYER-02,REGISTRATION C;XEF,FRENC	1	S.N.A	
...3		AA68-03575D	MANUAL FLYER-03,REGISTRATION C;XEC,SPANI	1	S.N.A	
...3		AA68-03575E	MANUAL FLYER-04,REGISTRATION C;XET,ITALY	1	S.N.A	
...3		AA68-03575F	MANUAL FLYER-02,REGISTRATION C;XEN,DUTCH	1	S.N.A	
...3		AA68-03575G	MANUAL FLYER-02,REGISTRATION C;XEP,PORTU	1	S.N.A	
...3		BN68-00514E	MANUAL FLYER-00,WARRANTY CARD;comm,Samsu	1	S.N.A	
...3	T0511	BN68-01409A	MANUAL USERS;COMM,SAMSUNG,8Language,W.Eu	1	S.N.A	
..2	M0045	BN96-07178G	ASSY ACCESSORY-CABEL;LE37A558P3FXXC	1	S.A	
...3	T0268	3903-000145	CBF-POWER CORD;DT,EU,FP3/YES,U(IEC C13-R	1	S.A	
...3	T0524	6902-000110	BAG PE;LDPE,T0.05,W250,L400,TRP,28,2	1	S.N.A	
...3	T0074	BN59-00683A	REMOCON;TM-96B,49,EUROPE_DTV_550	1	S.A	
...3		BN63-01798A	CLOTH-CLEAN;RE40**,CLOTH,180,200,RHCM	1	S.N.A	
...3	T0531	BN63-04437A	COVER-BOTTOM;37,40L550,P2,P3,P4,HIPS,-,-	1	S.N.A	
...4		BN81-00199H	RESIN;HIPS HB,BK500,HF-1690H,K2901	0.053	S.N.A	

**5-9. LE46A55\*P Parts List**

Level	Location No.	Code No.	Description & Specification	Q'ty	SA/SNA	Remark
0		LE46A558P3FXXC	LE46A558P3F,N46A/46AP3-GPR,46,LCD-TV,SPA	0	S.A	
0.1	M0001	BN90-01548F	ASSY COVER FRONT;46L530,EO(iDTV),P3	1	S.N.A	
..2	T0003	BN96-06928C	ASSY COVER P-FRONT;46L530,P3,EO(iDTV),AB	1	S.A	
...3	M0081	6003-001188	SCREW-TAPTITE;BH,+,-,B,M4,L10,ZPC(WHT),S	1	S.N.A	
...3	M0081	6003-001188	SCREW-TAPTITE;BH,+,-,B,M4,L10,ZPC(WHT),S	2	S.N.A	
...3	T0069	AA60-00171V	SPACER-FELT;BE46PS,FELT,500,T0.35,10	2	S.N.A	
...3	CCM1	BN63-02183E	COVER-SHEET;Rhcm,PE Vinyl,T0.05,750mm,20	0.924	S.N.A	
...3	M0112	BN63-04372C	COVER-FRONT;46L550,P2,P3,P4,EO(iDTV),ABS	1	S.N.A	
....4		BN81-00204P	RESIN-HIGH GLOSS;SF-0505,K21294,ABS HB P	1.65	S.N.A	
...3	T0059	BN64-00379A	INDICATOR LED;ROME-II,23,PC,CLEAR	1	S.N.A	
...3	T0061	BN64-00453A	WINDOW-REMOCON;32R71,PC,V0,VIOLET,DIFFUS	1	S.N.A	
...3	T0022	BN64-00755A	KNOB-CONTROL;32L450,ABS,V0,BK07	1	S.N.A	
....4		BH83-00150P	CKD-ABS HB;HF-0680U,K2331	0.037	S.N.A	
...3		BN64-00868A	DECORATION-BOTTOM;46-L530-3,GARNET,ABS,H	1	S.N.A	
....4		BN81-00187A	RESIN;ABS HB GR503,HF-0680U,G4309	0.2	S.N.A	
...3		BN96-06933B	ASSY HOLDER P-BOSS;46L530,HIPS,HB,BK500	1	S.N.A	
....4		BN61-03261N	BOSS-TAPE;AMBER,ACRYL,T1.1,W20.0mm,WHITE	0.95	S.N.A	
....4		BN61-03890B	HOLDER-BOSS BOTTOM;46L530,HIPS,HB,BK500	1	S.N.A	
....5		BN81-00199H	RESIN;HIPS HB,BK500,HF-1690H,K2901	205.7	S.N.A	
...3	M0145	BN96-07269A	ASSY BOARD P-FUNCTION;LN40A450C1D,CT5000	1	S.A	
...3	M0146	BN96-07270F	ASSY BOARD P-POWER & IR;LE32A656P1F,CT50	1	S.A	
0.1	M0216	BN90-01558A	ASSY STAND;46L530	1	S.N.A	
..2	T0081	6002-001294	SCREW-TAPPING;BH,+,,M4,L16,ZPC(BLK)	4	S.A	
..2	M0027	BN96-06936A	ASSY STAND P-BASE;46,L530,ABS+PMMA,HB,BK	1	S.A	
...3	T0081	6002-001294	SCREW-TAPPING;BH,+,,M4,L16,ZPC(BLK)	4	S.A	
...3	M0081	6003-001239	SCREW-TAPTITE;FH,+,-,B,M4,L10,ZPC(WHT),S	8	S.A	
...3		BN61-02533A	HOLDER-SWIVEL RING;46M7 EO,ACETAL,NATUAL	1	S.N.A	
...3		BN61-02534A	HOLDER-SWIVEL RING;46M7 EO,ACETAL,NATUAL	1	S.N.A	
...3		BN61-02536A	BRACKET-HINGE SWIVEL;46M7 EO,HG,T3.0	1	S.N.A	
...3		BN61-03787A	BRACKET-STAND-BOTTOM;AMBER 46,SECC,T3.0,	1	S.N.A	
...3	T0920	BN61-03889A	GUIDE-STAND;GUIDE-STAND 46 L530,PC,BLK,G	1	S.N.A	
....4		BN81-00204H	RESIN;Trirex,3025G20 BK,ABS+PC G/F 20%,4	0.407	S.N.A	
...3	CCM1	BN63-02183F	COVER-SHEET;Rhcm,PE Vinyl,T0.05,900mm,20	0.45	S.N.A	
...3	T0004	BN63-04276B	COVER-STAND BASE;46AA1,ABS+PMMA,HB,BK23,	1	S.N.A	
....4		BN81-00204P	RESIN-HIGH GLOSS;SF-0505,K21294,ABS HB P	0.764	S.N.A	
...3	T0132	BN73-00052A	RUBBER FOOT;ARES 17,CR Rubber Gray,T1.5	4	S.N.A	
0.1	M0002	BN90-01607B	ASSY COVER REAR;46L530,EO(iDTV)	1	S.N.A	
..2	T0081	6002-001294	SCREW-TAPPING;BH,+,,M4,L16,ZPC(BLK)	14	S.A	
..2	T0081	6002-001294	SCREW-TAPPING;BH,+,,M4,L16,ZPC(BLK)	2	S.A	
..2	C/REAR+H/W	6011-001610	BOLT-ETC;M8,L18,ZPC(BLK),SWRCH18A,WSP,PH	4	S.N.A	
..2	M0013	BN96-06950B	ASSY COVER P-REAR;46L530,EO(iDTV),HIPS,H	1	S.A	
...3	M0006	BN63-04377B	COVER-REAR;46L530,EO(iDTV),HIPS,HB,BK500	1	S.N.A	
....4		BN81-00199H	RESIN;HIPS HB,BK500,HF-1690H,K2901	2.571	S.N.A	
...3	T0071	BN64-00806C	INLAY-TERMINAL;46L550P3,EO(iDTV),PS SHEE	1	S.N.A	
...3	T0064	BN65-00002A	CLAMPER CORE;BORDEAUX,LDPE,-,-,BLK,-	1	S.N.A	



## 5. Exploded View &amp; Part List

Level	Location No.	Code No.	Description & Specification	Q'ty	SA/SNA	Remark
0.1	M0017	BN91-02016C	ASSY CHASSIS;LE46A556P1FX/XC,AUO	1	S.N.A	
..2	M0014	BN94-01656C	ASSY PCB MAIN-AUO;LE46A556P1FX,N46A	1	S.A	
...3	T0245	0202-001608	SOLDER-WIRE FLUX;LFC7-107,D0.8,99.3Sn/0.	1.25	S.N.A	
...3	JA3208_OP	3701-001480	CONNECTOR-DSUB;15P,3R,FEMALE,STAMPED PIN	1	S.A	
...3	CN906	3707-001081	CONNECTOR-OPTICAL;STRAIGHT,SPDIF	1	S.A	
...3	JA7201	3709-001508	CONNECTOR-CARD SLOT;68P,1.27mm,PIN,PCMCIA	1	S.A	
...3	CN330	3711-000058	HEADER-BOARD TO CABLE;BOX,4P,1R,2.5MM,AN	1	S.A	
...3	CN330	3711-004349	HEADER-BOARD TO CABLE;BOX,3P,1R,2mm,STRA	1	S.A	
...3	CN330	3711-004379	HEADER-BOARD TO CABLE;BOX,4P,1R,2mm,STRA	1	S.A	
...3	CN330	3711-004379	HEADER-BOARD TO CABLE;BOX,4P,1R,2mm,STRA	1	S.A	
...3	CN330	3711-004484	HEADER-BOARD TO CABLE;BOX,5P,1R,2mm,STRA	1	S.A	
...3	CN330	3711-004531	HEADER-BOARD TO CABLE;BOX,10P,1R,2mm,ANG	1	S.A	
...3	CN330	3711-004712	HEADER-BOARD TO CABLE;BOX,9P,1R,2mm,STRA	1	S.A	
...3	CN330	3711-005842	HEADER-BOARD TO CABLE;BOX,24P,2R,2MM,STR	1	S.A	
...3	JA330	3722-001061	JACK-PHONE;1P,3.6PI,AG,BLK,N	1	S.A	
...3	JA330	3722-001061	JACK-PHONE;1P,3.6PI,AG,BLK,N	1	S.A	
...3	JA3202	3722-002681	JACK-SCART;42P,SN,BLK	1	S.A	
...3	JA333	3722-002691	JACK-PIN;2P,Ni,WHT/RED,STRAIGHT	1	S.A	
...3	JA333	3722-002691	JACK-PIN;2P,Ni,WHT/RED,STRAIGHT	1	S.A	
...3	JA333	3722-002691	JACK-PIN;2P,Ni,WHT/RED,STRAIGHT	1	S.A	
...3	JA333	3722-002703	JACK-PIN;3P,Ni,GRN/BLU/RED,STRAIGHT	1	S.A	
...3	CIS3	BN40-00120A	TUNER;TDHG6-K10A,TDHG6-K10A,DVB-T,181CH,	1	S.A	
...3	HDCP	BN97-00688B	ASSY HDCP;MT8202 IC HDCP Key'	1	S.N.A	
...4		BN46-00018A	KEY CODE-CERTIFICATE;(HDCP KEY)PPM42M5S,	1	S.N.A	
...3	T0174	BN97-02033C	ASSY SMD;LE46A556P1F/*,N46A	1	S.N.A	
...4	SUB05	0202-001477	SOLDER-CREAM;LST309-M,-,D20-45##,96.5Sn/	2.999	S.N.A	
...4	D1104	0401-001056	DIODE-SWITCHING;MMBD4148SE,100V,200mA,SO	1	S.A	
...4	D3101	0401-001056	DIODE-SWITCHING;MMBD4148SE,100V,200mA,SO	1	S.A	
...4	D3102	0401-001056	DIODE-SWITCHING;MMBD4148SE,100V,200mA,SO	1	S.A	
...4	D3103	0401-001056	DIODE-SWITCHING;MMBD4148SE,100V,200mA,SO	1	S.A	
...4	D3104	0401-001056	DIODE-SWITCHING;MMBD4148SE,100V,200mA,SO	1	S.A	
...4	D3105	0401-001056	DIODE-SWITCHING;MMBD4148SE,100V,200mA,SO	1	S.A	
...4	D3106	0401-001056	DIODE-SWITCHING;MMBD4148SE,100V,200mA,SO	1	S.A	
...4	D3108	0401-001056	DIODE-SWITCHING;MMBD4148SE,100V,200mA,SO	1	S.A	
...4	D3109	0401-001056	DIODE-SWITCHING;MMBD4148SE,100V,200mA,SO	1	S.A	
...4	D3144	0401-001056	DIODE-SWITCHING;MMBD4148SE,100V,200mA,SO	1	S.A	
...4	D3146	0401-001056	DIODE-SWITCHING;MMBD4148SE,100V,200mA,SO	1	S.A	
...4	D3147	0401-001056	DIODE-SWITCHING;MMBD4148SE,100V,200mA,SO	1	S.A	
...4	D3149	0401-001056	DIODE-SWITCHING;MMBD4148SE,100V,200mA,SO	1	S.A	
...4	D3150	0401-001056	DIODE-SWITCHING;MMBD4148SE,100V,200mA,SO	1	S.A	
...4	D3151	0401-001056	DIODE-SWITCHING;MMBD4148SE,100V,200mA,SO	1	S.A	
...4	D3152	0401-001056	DIODE-SWITCHING;MMBD4148SE,100V,200mA,SO	1	S.A	
...4	D3153	0401-001056	DIODE-SWITCHING;MMBD4148SE,100V,200mA,SO	1	S.A	
...4	D3154	0401-001056	DIODE-SWITCHING;MMBD4148SE,100V,200mA,SO	1	S.A	
...4	D3155	0401-001056	DIODE-SWITCHING;MMBD4148SE,100V,200mA,SO	1	S.A	
...4	D3158	0401-001056	DIODE-SWITCHING;MMBD4148SE,100V,200mA,SO	1	S.A	
...4	D3159	0401-001056	DIODE-SWITCHING;MMBD4148SE,100V,200mA,SO	1	S.A	
...4	D3161	0401-001056	DIODE-SWITCHING;MMBD4148SE,100V,200mA,SO	1	S.A	
...4	D3162	0401-001056	DIODE-SWITCHING;MMBD4148SE,100V,200mA,SO	1	S.A	
...4	D3163	0401-001056	DIODE-SWITCHING;MMBD4148SE,100V,200mA,SO	1	S.A	
...4	D3165	0401-001056	DIODE-SWITCHING;MMBD4148SE,100V,200mA,SO	1	S.A	

5. Exploded View & Part List

Level	Location No.	Code No.	Description & Specification	Q'ty	SA/SNA	Remark
...4	D3166	0401-001056	DIODE-SWITCHING;MMBD4148SE,100V,200mA,SO	1	S.A	
...4	D3168	0401-001056	DIODE-SWITCHING;MMBD4148SE,100V,200mA,SO	1	S.A	
...4	D3170	0401-001056	DIODE-SWITCHING;MMBD4148SE,100V,200mA,SO	1	S.A	
...4	D3173	0401-001056	DIODE-SWITCHING;MMBD4148SE,100V,200mA,SO	1	S.A	
...4	D3195	0401-001056	DIODE-SWITCHING;MMBD4148SE,100V,200mA,SO	1	S.A	
...4	D3196	0401-001056	DIODE-SWITCHING;MMBD4148SE,100V,200mA,SO	1	S.A	
...4	D3197	0401-001056	DIODE-SWITCHING;MMBD4148SE,100V,200mA,SO	1	S.A	
...4	D3198	0401-001056	DIODE-SWITCHING;MMBD4148SE,100V,200mA,SO	1	S.A	
...4	D3200	0401-001056	DIODE-SWITCHING;MMBD4148SE,100V,200mA,SO	1	S.A	
...4	D3201	0401-001056	DIODE-SWITCHING;MMBD4148SE,100V,200mA,SO	1	S.A	
...4	D3202	0401-001056	DIODE-SWITCHING;MMBD4148SE,100V,200mA,SO	1	S.A	
...4	D3203	0401-001056	DIODE-SWITCHING;MMBD4148SE,100V,200mA,SO	1	S.A	
...4	D3204	0401-001056	DIODE-SWITCHING;MMBD4148SE,100V,200mA,SO	1	S.A	
...4	D3206	0401-001056	DIODE-SWITCHING;MMBD4148SE,100V,200mA,SO	1	S.A	
...4	D3207	0401-001056	DIODE-SWITCHING;MMBD4148SE,100V,200mA,SO	1	S.A	
...4	D3254	0401-001056	DIODE-SWITCHING;MMBD4148SE,100V,200mA,SO	1	S.A	
...4	D3255	0401-001056	DIODE-SWITCHING;MMBD4148SE,100V,200mA,SO	1	S.A	
...4	D3256	0401-001056	DIODE-SWITCHING;MMBD4148SE,100V,200mA,SO	1	S.A	
...4	D5501_CEC	0401-001056	DIODE-SWITCHING;MMBD4148SE,100V,200mA,SO	1	S.A	
...4	D2105	0401-001099	DIODE-SWITCHING;1N4148WS,75V,150mA,SOD-3	1	S.A	
...4	D2106	0401-001099	DIODE-SWITCHING;1N4148WS,75V,150mA,SOD-3	1	S.A	
...4	D2201	0401-001099	DIODE-SWITCHING;1N4148WS,75V,150mA,SOD-3	1	S.A	
...4	D3118	0401-001099	DIODE-SWITCHING;1N4148WS,75V,150mA,SOD-3	1	S.A	
...4	D3120	0401-001099	DIODE-SWITCHING;1N4148WS,75V,150mA,SOD-3	1	S.A	
...4	D3123	0401-001099	DIODE-SWITCHING;1N4148WS,75V,150mA,SOD-3	1	S.A	
...4	D5104	0401-001099	DIODE-SWITCHING;1N4148WS,75V,150mA,SOD-3	1	S.A	
...4	D5105	0401-001099	DIODE-SWITCHING;1N4148WS,75V,150mA,SOD-3	1	S.A	
...4	D5201	0401-001099	DIODE-SWITCHING;1N4148WS,75V,150mA,SOD-3	1	S.A	
...4	D0254	0402-000553	DIODE-SCHOTTKY;SS24/B240,40V,2000mA,DO-2	1	S.A	
...4	D0254	0402-000553	DIODE-SCHOTTKY;SS24/B240,40V,2000mA,DO-2	1	S.A	
...4	D1211_NCMO	0402-001098	DIODE-RECTIFIER;SK34,40V,3A,SMC,TP	1	S.A	
...4	D2107	0403-000002	DIODE-ZENER;VLZ5V6B,5.45/5.73V,500mW,SOD	1	S.A	
...4	D3115	0403-000002	DIODE-ZENER;VLZ5V6B,5.45/5.73V,500mW,SOD	1	S.A	
...4	D3125	0403-000002	DIODE-ZENER;VLZ5V6B,5.45/5.73V,500mW,SOD	1	S.A	
...4	D3126	0403-000002	DIODE-ZENER;VLZ5V6B,5.45/5.73V,500mW,SOD	1	S.A	
...4	D3129	0403-000002	DIODE-ZENER;VLZ5V6B,5.45/5.73V,500mW,SOD	1	S.A	
...4	D3132	0403-000002	DIODE-ZENER;VLZ5V6B,5.45/5.73V,500mW,SOD	1	S.A	
...4	D3134	0403-000002	DIODE-ZENER;VLZ5V6B,5.45/5.73V,500mW,SOD	1	S.A	
...4	D3137	0403-000002	DIODE-ZENER;VLZ5V6B,5.45/5.73V,500mW,SOD	1	S.A	
...4	D3148	0403-000002	DIODE-ZENER;VLZ5V6B,5.45/5.73V,500mW,SOD	1	S.A	
...4	D3205	0403-000002	DIODE-ZENER;VLZ5V6B,5.45/5.73V,500mW,SOD	1	S.A	
...4	D5103	0403-000002	DIODE-ZENER;VLZ5V6B,5.45/5.73V,500mW,SOD	1	S.A	
...4	D5111	0403-000258	DIODE-ZENER;BZX84C5V6,5.2-6V,225mW,SOT-2	1	S.A	
...4	D5101	0403-000584	DIODE-ZENER;VLZ3V6B,3.6/3.845V,500mW,SOD	1	S.N.A	
...4	D3141	0403-000771	DIODE-ZENER;VLZ6V2B,5.96-6.27V,500mW,SOD	1	S.A	
...4	D3156	0403-000771	DIODE-ZENER;VLZ6V2B,5.96-6.27V,500mW,SOD	1	S.A	
...4	D3191	0403-000771	DIODE-ZENER;VLZ6V2B,5.96-6.27V,500mW,SOD	1	S.A	
...4	D3199	0403-001052	DIODE-ZENER;RD8.2MB,7.7-8.7V,200mW,SOT-2	1	S.A	
...4	D1111	0403-001425	DIODE-ZENER;BZX84C33,31-35V,350mW,SOT-23	1	S.A	
...4	D0254	0404-001404	DIODE-SCHOTTKY;BAT721C,40V,200mA,SOT-23,	1	S.A	
...4	D0254	0404-001404	DIODE-SCHOTTKY;BAT721C,40V,200mA,SOT-23,	1	S.A	

## 5. Exploded View &amp; Part List

Level	Location No.	Code No.	Description & Specification	Q'ty	SA/SNA	Remark
...4	D0254	0404-001404	DIODE-SCHOTTKY;BAT721C,40V,200mA,SOT-23,	1	S.A	
...4	D3119	0406-001172	DIODE-TVS;CDS3C30GTH,48/-/50V,SMD	1	S.A	
...4	D3122	0406-001172	DIODE-TVS;CDS3C30GTH,48/-/50V,SMD	1	S.A	
...4	D3138	0406-001172	DIODE-TVS;CDS3C30GTH,48/-/50V,SMD	1	S.A	
...4	D3139	0406-001172	DIODE-TVS;CDS3C30GTH,48/-/50V,SMD	1	S.A	
...4	D3179	0406-001172	DIODE-TVS;CDS3C30GTH,48/-/50V,SMD	1	S.A	
...4	D3180	0406-001172	DIODE-TVS;CDS3C30GTH,48/-/50V,SMD	1	S.A	
...4	D3251	0406-001172	DIODE-TVS;CDS3C30GTH,48/-/50V,SMD	1	S.A	
...4	D3252	0406-001172	DIODE-TVS;CDS3C30GTH,48/-/50V,SMD	1	S.A	
...4	D3208	0406-001181	DIODE-TVS;NUP4201MR6,6/-/5V,500W,TSOP-6	1	S.A	
...4	D2104	0407-000123	DIODE-ARRAY;DAN202K,80V,100mA,CA2-3,SOT-	1	S.A	
...4	D2108	0407-000123	DIODE-ARRAY;DAN202K,80V,100mA,CA2-3,SOT-	1	S.A	
...4	D2110	0407-000123	DIODE-ARRAY;DAN202K,80V,100mA,CA2-3,SOT-	1	S.A	
...4	D7201	0407-000123	DIODE-ARRAY;DAN202K,80V,100mA,CA2-3,SOT-	1	S.A	
...4	D7202	0407-000123	DIODE-ARRAY;DAN202K,80V,100mA,CA2-3,SOT-	1	S.A	
...4	D7203	0407-000123	DIODE-ARRAY;DAN202K,80V,100mA,CA2-3,SOT-	1	S.A	
...4	D7204	0407-000123	DIODE-ARRAY;DAN202K,80V,100mA,CA2-3,SOT-	1	S.A	
...4	D7205	0407-000123	DIODE-ARRAY;DAN202K,80V,100mA,CA2-3,SOT-	1	S.A	
...4	D7206	0407-000123	DIODE-ARRAY;DAN202K,80V,100mA,CA2-3,SOT-	1	S.A	
...4	Q7001	0501-000002	TR-SMALL SIGNAL;KSA812,PNP,150MW,SOT-23,	1	S.A	
...4	Q7002	0501-000002	TR-SMALL SIGNAL;KSA812,PNP,150MW,SOT-23,	1	S.A	
...4	Q5201	0501-000434	TR-SMALL SIGNAL;KTC3875S-GR,NPN,150mW,SO	1	S.A	
...4	Q7402	0501-000434	TR-SMALL SIGNAL;KTC3875S-GR,NPN,150mW,SO	1	S.A	
...4	Q1104	0501-000445	TR-SMALL SIGNAL;KTC3875S-Y,NPN,150mW,SOT	1	S.A	
...4	Q1111	0501-000445	TR-SMALL SIGNAL;KTC3875S-Y,NPN,150mW,SOT	1	S.A	
...4	Q2102	0501-000445	TR-SMALL SIGNAL;KTC3875S-Y,NPN,150mW,SOT	1	S.A	
...4	Q3101	0501-000445	TR-SMALL SIGNAL;KTC3875S-Y,NPN,150mW,SOT	1	S.A	
...4	Q3102	0501-000445	TR-SMALL SIGNAL;KTC3875S-Y,NPN,150mW,SOT	1	S.A	
...4	Q3106	0501-000445	TR-SMALL SIGNAL;KTC3875S-Y,NPN,150mW,SOT	1	S.A	
...4	Q3107	0501-000445	TR-SMALL SIGNAL;KTC3875S-Y,NPN,150mW,SOT	1	S.A	
...4	Q3111	0501-000445	TR-SMALL SIGNAL;KTC3875S-Y,NPN,150mW,SOT	1	S.A	
...4	Q3112	0501-000445	TR-SMALL SIGNAL;KTC3875S-Y,NPN,150mW,SOT	1	S.A	
...4	Q3113	0501-000445	TR-SMALL SIGNAL;KTC3875S-Y,NPN,150mW,SOT	1	S.A	
...4	Q3114	0501-000445	TR-SMALL SIGNAL;KTC3875S-Y,NPN,150mW,SOT	1	S.A	
...4	Q3151_NPN	0501-000445	TR-SMALL SIGNAL;KTC3875S-Y,NPN,150mW,SOT	1	S.A	
...4	Q3152_NPN	0501-000445	TR-SMALL SIGNAL;KTC3875S-Y,NPN,150mW,SOT	1	S.A	
...4	Q5104	0501-000445	TR-SMALL SIGNAL;KTC3875S-Y,NPN,150mW,SOT	1	S.A	
...4	Q5108	0501-000445	TR-SMALL SIGNAL;KTC3875S-Y,NPN,150mW,SOT	1	S.A	
...4	Q5109	0501-000445	TR-SMALL SIGNAL;KTC3875S-Y,NPN,150mW,SOT	1	S.A	
...4	Q5202	0501-000445	TR-SMALL SIGNAL;KTC3875S-Y,NPN,150mW,SOT	1	S.A	
...4	Q6101_DIM	0501-000445	TR-SMALL SIGNAL;KTC3875S-Y,NPN,150mW,SOT	1	S.A	
...4	Q2101	0501-000669	TR-SMALL SIGNAL;KTA1505Y,PNP,150mW,SOT-2	1	S.A	
...4	Q2103	0501-000669	TR-SMALL SIGNAL;KTA1505Y,PNP,150mW,SOT-2	1	S.A	
...4	Q3104	0501-000669	TR-SMALL SIGNAL;KTA1505Y,PNP,150mW,SOT-2	1	S.A	
...4	Q3109	0501-000669	TR-SMALL SIGNAL;KTA1505Y,PNP,150mW,SOT-2	1	S.A	
...4	Q1101_L	0501-002080	TR-SMALL SIGNAL;2SC2412K,NPN,200mW,SC-59	1	S.A	
...4	Q1102_50HZ	0501-002080	TR-SMALL SIGNAL;2SC2412K,NPN,200mW,SC-59	1	S.A	
...4	Q3103	0501-002080	TR-SMALL SIGNAL;2SC2412K,NPN,200mW,SC-59	1	S.A	
...4	Q3105	0501-002080	TR-SMALL SIGNAL;2SC2412K,NPN,200mW,SC-59	1	S.A	
...4	Q3108	0501-002080	TR-SMALL SIGNAL;2SC2412K,NPN,200mW,SC-59	1	S.A	
...4	Q3110	0501-002080	TR-SMALL SIGNAL;2SC2412K,NPN,200mW,SC-59	1	S.A	

5. Exploded View & Part List

Level	Location No.	Code No.	Description & Specification	Q'ty	SA/SNA	Remark
...4	Q3153_NPN	0501-002080	TR-SMALL SIGNAL;2SC2412K,NPN,200mW,SC-59	1	S.A	
...4	Q409	0505-000110	FET-SILICON;2N7002,N,60V,115mA,7.5ohm,0.	1	S.A	
...4	Q409	0505-000110	FET-SILICON;2N7002,N,60V,115mA,7.5ohm,0.	1	S.A	
...4	Q409	0505-000110	FET-SILICON;2N7002,N,60V,115mA,7.5ohm,0.	1	S.A	
...4	Q409	0505-000110	FET-SILICON;2N7002,N,60V,115mA,7.5ohm,0.	1	S.A	
...4	Q409	0505-000110	FET-SILICON;2N7002,N,60V,115mA,7.5ohm,0.	1	S.A	
...4	Q409	0505-001170	FET-SILICON;SI9933ADY-T1,P,-20V,3.4A,0.0	1	S.A	
...4	IC104	0801-002095	IC-CMOS LOGIC;74LCX245,TRANSCEIVER,TSSOP	1	S.A	
...4	IC104	0801-002172	IC-CMOS LOGIC;74LCX16244,BUFFER/LINE DRI	1	S.A	
...4	IC104	0801-002172	IC-CMOS LOGIC;74LCX16244,BUFFER/LINE DRI	1	S.A	
...4	IC104	0801-002172	IC-CMOS LOGIC;74LCX16244,BUFFER/LINE DRI	1	S.A	
...4	IC104	0801-002432	IC-CMOS LOGIC;74LVC244,8BIT BUFFER/DRIVE	1	S.N.A	
...4	IC104	0801-002630	IC-CMOS LOGIC;74AHCT1G08,2-INPUT AND GAT	1	S.A	
...4	IC104	0801-003239	IC-CMOS LOGIC;74LVC1G00,2-input NAND Gat	1	S.A	
...4	IC104	0801-003239	IC-CMOS LOGIC;74LVC1G00,2-input NAND Gat	1	S.A	
...4	IC5110	1001-000164	IC-ANALOG MULTIPLEX;74HC4052,CMOS,SOP,16	1	S.A	
...4	IC106	1001-001513	IC-VIDEO SWITCH;TMDS351PAG,TQFP,64P,9x9m	1	S.A	
...4	IC5108	1001-001523	IC-ANALOG MULTIPLEX;74HC4052PW,TSSOP,16P	1	S.A	
...4	IC107	1002-001482	IC-D/A CONVERTER;WM8521H9GED/R,16bit,SOI	1	S.A	
...4	IC2102	1002-001509	IC-A/D&D/A CONVERTER;MT8291,24bit,LQFP,4	1	S.A	
...4	IC110	1006-001076	IC-DRIVER/RECEIVER;MAX232ECWE+T,SOP,16P,	1	S.A	
...4	IC112	1103-000129	IC-EEPROM;24C02,2Kbit,256x8Bit,SOP,8P,5x	1	S.A	
...4	IC112	1103-000129	IC-EEPROM;24C02,2Kbit,256x8Bit,SOP,8P,5x	1	S.A	
...4	IC112	1103-000129	IC-EEPROM;24C02,2Kbit,256x8Bit,SOP,8P,5x	1	S.A	
...4	IC112	1103-001385	IC-EEPROM;AT24C256,256Kbit,32Kx8,SOP,8P,	1	S.A	
...4	IC112	1103-001410	IC-EEPROM;S-24CS08AFJ-TB-1GE,8Kbit,1Kx8,	1	S.A	
...4	IC113	1105-001712	IC-DRAM;HYB25D256163CE,DDR,256Mbit,16Mx1	1	S.A	
...4	IC5104	1105-001862	IC-DDR2 SDRAM;K4T56163QI-ZCF7,DDR2 SDRAM	1	S.A	
...4	IC5106	1105-001862	IC-DDR2 SDRAM;K4T56163QI-ZCF7,DDR2 SDRAM	1	S.A	
...4	DU410	1201-000166	IC-OP AMP;LM358,SOP,ST,8P,150MIL,DUAL,10	1	S.A	
...4	T0124	1201-002677	IC-POWER AMP;NTP3100,QFN56,56P,8x8mm,DUA	1	S.A	
...4	T0087	1203-001815	IC-POSI.FIXED REG.;78M09,TO-252,3P,-,PLA	1	S.A	
...4	T0087	1203-002842	IC-POSI.FIXED REG.;AP1117D-33A,TO-252,3P	1	S.A	
...4	T0087	1203-002974	IC-POSI.FIXED REG.;AP1117D-25A,TO-252,3P	1	S.A	
...4	IC012	1203-002995	IC-POSI.ADJUST REG.;AP1117D-A,TO-252,3P,	1	S.A	
...4	IC012	1203-002995	IC-POSI.ADJUST REG.;AP1117D-A,TO-252,3P,	1	S.A	
...4	IC3104	1203-003394	IC-POWER SUPERVISOR;MIC2544-1YM,SOP,8P,4	1	S.A	
...4	IC7206	1203-003394	IC-POWER SUPERVISOR;MIC2544-1YM,SOP,8P,4	1	S.A	
...4	T0087	1203-003696	IC-POSI.FIXED REG.;NCP1117DT18T5G,DPAK,3	1	S.A	
...4	T0087	1203-003696	IC-POSI.FIXED REG.;NCP1117DT18T5G,DPAK,3	1	S.A	
...4	IC5102	1203-004363	IC-VOL. DETECTOR;RT9818C-29PV,SOT-23,3P,	1	S.A	
...4	IC2103	1203-004364	IC-VOL. DETECTOR;RT9818C-42PV,SOT-23,3P,	1	S.A	
...4	IC7402	1203-004364	IC-VOL. DETECTOR;RT9818C-42PV,SOT-23,3P,	1	S.A	
...4	T0087	1203-004816	IC-POSI.FIXED REG.;KIA78D015F,DPAK,3P,6.	1	S.A	
...4	T0170	1203-004868	IC-SWITCH VOL. REG.;MP2363,SOIC,8P,4.9x3	1	S.A	
...4	T0170	1203-004868	IC-SWITCH VOL. REG.;MP2363,SOIC,8P,4.9x3	1	S.A	
...4	IC012	1203-005218	IC-POSI.ADJUST REG.;AP1086DL,TO-252,3P,6	1	S.A	
...4	IC118	1204-002779	IC-VIDEO PROCESS;S4LF122X01,PBGA,208P,17	1	S.A	
...4	IC7001	1204-002861	IC-DECODER;UPD61211GM-104-GAA-A,QFP,216P	1	S.A	
...4	IC118	1204-002869	IC-VIDEO PROCESS;MT8226FJ,BGA,569P,31x31	1	S.A	
...4	D3107	1405-001185	VARISTOR;24Vdc,1.6x0.8x0.36mm,TP	1	S.A	

## 5. Exploded View &amp; Part List

Level	Location No.	Code No.	Description & Specification	Q'ty	SA/SNA	Remark
...4	D3110	1405-001185	VARISTOR;24Vdc,1.6x0.8x0.36mm,TP	1	S.A	
...4	D3113	1405-001185	VARISTOR;24Vdc,1.6x0.8x0.36mm,TP	1	S.A	
...4	D5502	1405-001185	VARISTOR;24Vdc,1.6x0.8x0.36mm,TP	1	S.A	
...4	R110	2007-000029	R-CHIP;0ohm,5%,1/8W,TP,2012	1	S.A	
...4	R110	2007-000029	R-CHIP;0ohm,5%,1/8W,TP,2012	1	S.A	
...4	R110	2007-000033	R-CHIP;0ohm,5%,1/4W,TP,3216	1	S.A	
...4	R110	2007-000033	R-CHIP;0ohm,5%,1/4W,TP,3216	1	S.A	
...4	R110	2007-000040	R-CHIP;150ohm,1%,1/10W,TP,1608	1	S.A	
...4	R110	2007-000052	R-CHIP;10Kohm,1%,1/10W,TP,1608	1	S.A	
...4	R110	2007-000052	R-CHIP;10Kohm,1%,1/10W,TP,1608	1	S.A	
...4	R110	2007-000052	R-CHIP;10Kohm,1%,1/10W,TP,1608	1	S.A	
...4	R110	2007-000052	R-CHIP;10Kohm,1%,1/10W,TP,1608	1	S.A	
...4	R110	2007-000052	R-CHIP;10Kohm,1%,1/10W,TP,1608	1	S.A	
...4	R110	2007-000052	R-CHIP;10Kohm,1%,1/10W,TP,1608	1	S.A	
...4	R110	2007-000052	R-CHIP;10Kohm,1%,1/10W,TP,1608	1	S.A	
...4	R110	2007-000052	R-CHIP;10Kohm,1%,1/10W,TP,1608	1	S.A	
...4	R110	2007-000052	R-CHIP;10Kohm,1%,1/10W,TP,1608	1	S.A	
...4	R110	2007-000052	R-CHIP;10Kohm,1%,1/10W,TP,1608	1	S.A	
...4	R110	2007-000052	R-CHIP;10Kohm,1%,1/10W,TP,1608	1	S.A	
...4	R110	2007-000052	R-CHIP;10Kohm,1%,1/10W,TP,1608	1	S.A	
...4	R110	2007-000067	R-CHIP;15Kohm,1%,1/10W,TP,1608	1	S.A	
...4	R110	2007-000078	R-CHIP;1Kohm,5%,1/10W,TP,1608	1	S.A	
...4	R110	2007-000078	R-CHIP;1Kohm,5%,1/10W,TP,1608	1	S.A	
...4	R110	2007-000078	R-CHIP;1Kohm,5%,1/10W,TP,1608	1	S.A	
...4	R110	2007-000078	R-CHIP;1Kohm,5%,1/10W,TP,1608	1	S.A	
...4	R110	2007-000078	R-CHIP;1Kohm,5%,1/10W,TP,1608	1	S.A	
...4	R110	2007-000078	R-CHIP;1Kohm,5%,1/10W,TP,1608	1	S.A	
...4	R110	2007-000078	R-CHIP;1Kohm,5%,1/10W,TP,1608	1	S.A	
...4	R110	2007-000078	R-CHIP;1Kohm,5%,1/10W,TP,1608	1	S.A	
...4	R110	2007-000078	R-CHIP;1Kohm,5%,1/10W,TP,1608	1	S.A	
...4	R110	2007-000078	R-CHIP;1Kohm,5%,1/10W,TP,1608	1	S.A	
...4	R110	2007-000078	R-CHIP;1Kohm,5%,1/10W,TP,1608	1	S.A	
...4	R110	2007-000078	R-CHIP;1Kohm,5%,1/10W,TP,1608	1	S.A	
...4	R110	2007-000078	R-CHIP;1Kohm,5%,1/10W,TP,1608	1	S.A	
...4	R110	2007-000078	R-CHIP;1Kohm,5%,1/10W,TP,1608	1	S.A	
...4	R110	2007-000078	R-CHIP;1Kohm,5%,1/10W,TP,1608	1	S.A	
...4	R110	2007-000078	R-CHIP;1Kohm,5%,1/10W,TP,1608	1	S.A	
...4	R110	2007-000078	R-CHIP;1Kohm,5%,1/10W,TP,1608	1	S.A	
...4	R110	2007-000078	R-CHIP;1Kohm,5%,1/10W,TP,1608	1	S.A	
...4	R110	2007-000078	R-CHIP;1Kohm,5%,1/10W,TP,1608	1	S.A	
...4	R110	2007-000078	R-CHIP;1Kohm,5%,1/10W,TP,1608	1	S.A	
...4	R110	2007-000078	R-CHIP;1Kohm,5%,1/10W,TP,1608	1	S.A	
...4	R110	2007-000078	R-CHIP;1Kohm,5%,1/10W,TP,1608	1	S.A	
...4	R110	2007-000078	R-CHIP;1Kohm,5%,1/10W,TP,1608	1	S.A	
...4	R110	2007-000078	R-CHIP;1Kohm,5%,1/10W,TP,1608	1	S.A	















5. Exploded View & Part List

Level	Location No.	Code No.	Description & Specification	Q'ty	SA/SNA	Remark
....4	R110	2007-000173	R-CHIP;22ohm,5%,1/16W,TP,1005	1	S.A	
....4	R110	2007-000173	R-CHIP;22ohm,5%,1/16W,TP,1005	1	S.A	
....4	R110	2007-000173	R-CHIP;22ohm,5%,1/16W,TP,1005	1	S.A	
....4	R110	2007-000173	R-CHIP;22ohm,5%,1/16W,TP,1005	1	S.A	
....4	R110	2007-000173	R-CHIP;22ohm,5%,1/16W,TP,1005	1	S.A	
....4	R110	2007-000173	R-CHIP;22ohm,5%,1/16W,TP,1005	1	S.A	
....4	R110	2007-000173	R-CHIP;22ohm,5%,1/16W,TP,1005	1	S.A	
....4	R110	2007-000173	R-CHIP;22ohm,5%,1/16W,TP,1005	1	S.A	
....4	R110	2007-000173	R-CHIP;22ohm,5%,1/16W,TP,1005	1	S.A	
....4	R110	2007-000174	R-CHIP;47ohm,5%,1/16W,TP,1005	1	S.N.A	
....4	R110	2007-000174	R-CHIP;47ohm,5%,1/16W,TP,1005	1	S.N.A	
....4	R110	2007-000174	R-CHIP;47ohm,5%,1/16W,TP,1005	1	S.N.A	
....4	R110	2007-000174	R-CHIP;47ohm,5%,1/16W,TP,1005	1	S.N.A	
....4	R110	2007-000174	R-CHIP;47ohm,5%,1/16W,TP,1005	1	S.N.A	
....4	R110	2007-000174	R-CHIP;47ohm,5%,1/16W,TP,1005	1	S.N.A	
....4	R110	2007-000174	R-CHIP;47ohm,5%,1/16W,TP,1005	1	S.N.A	
....4	R110	2007-000174	R-CHIP;47ohm,5%,1/16W,TP,1005	1	S.N.A	
....4	R110	2007-000174	R-CHIP;47ohm,5%,1/16W,TP,1005	1	S.N.A	
....4	R110	2007-000174	R-CHIP;47ohm,5%,1/16W,TP,1005	1	S.N.A	
....4	R110	2007-000174	R-CHIP;47ohm,5%,1/16W,TP,1005	1	S.N.A	
....4	R110	2007-000174	R-CHIP;47ohm,5%,1/16W,TP,1005	1	S.N.A	
....4	R110	2007-000174	R-CHIP;47ohm,5%,1/16W,TP,1005	1	S.N.A	
....4	R110	2007-000174	R-CHIP;47ohm,5%,1/16W,TP,1005	1	S.N.A	
....4	R110	2007-000174	R-CHIP;47ohm,5%,1/16W,TP,1005	1	S.N.A	
....4	R110	2007-000174	R-CHIP;47ohm,5%,1/16W,TP,1005	1	S.N.A	
....4	R110	2007-000174	R-CHIP;47ohm,5%,1/16W,TP,1005	1	S.N.A	
....4	R110	2007-000174	R-CHIP;47ohm,5%,1/16W,TP,1005	1	S.N.A	
....4	R110	2007-000174	R-CHIP;47ohm,5%,1/16W,TP,1005	1	S.N.A	
....4	R110	2007-000174	R-CHIP;47ohm,5%,1/16W,TP,1005	1	S.N.A	
....4	R110	2007-000174	R-CHIP;47ohm,5%,1/16W,TP,1005	1	S.N.A	
....4	R110	2007-000174	R-CHIP;47ohm,5%,1/16W,TP,1005	1	S.N.A	
....4	R110	2007-000174	R-CHIP;47ohm,5%,1/16W,TP,1005	1	S.N.A	
....4	R110	2007-000174	R-CHIP;47ohm,5%,1/16W,TP,1005	1	S.N.A	
....4	R110	2007-000242	R-CHIP;1.5KOHM,5%,1/16W,TP,1005	1	S.N.A	
....4	R110	2007-000416	R-CHIP;15ohm,5%,1/10W,TP,1608	1	S.A	
....4	R110	2007-000458	R-CHIP;18Kohm,5%,1/10W,TP,1608	1	S.A	
....4	R110	2007-000458	R-CHIP;18Kohm,5%,1/10W,TP,1608	1	S.A	
....4	R110	2007-000539	R-CHIP;200ohm,5%,1/10W,TP,1608	1	S.A	
....4	R110	2007-000539	R-CHIP;200ohm,5%,1/10W,TP,1608	1	S.A	
....4	R110	2007-000539	R-CHIP;200ohm,5%,1/10W,TP,1608	1	S.A	
....4	R110	2007-000539	R-CHIP;200ohm,5%,1/10W,TP,1608	1	S.A	
....4	R110	2007-000570	R-CHIP;220OHM,1%,1/10W,TP,1608	1	S.A	
....4	R110	2007-000583	R-CHIP;22Kohm,1%,1/10W,TP,1608	1	S.A	
....4	R110	2007-000591	R-CHIP;22ohm,1%,1/10W,TP,1608	1	S.A	
....4	R110	2007-000606	R-CHIP;240ohm,1%,1/10W,TP,1608	1	S.A	
....4	R110	2007-000608	R-CHIP;240ohm,5%,1/10W,TP,1608	1	S.A	
....4	R110	2007-000608	R-CHIP;240ohm,5%,1/10W,TP,1608	1	S.A	
....4	R110	2007-000763	R-CHIP;330ohm,1%,1/10W,TP,1608	1	S.A	
....4	R110	2007-000775	R-CHIP;33KOHM,5%,1/16W,TP,1005	1	S.N.A	
....4	R110	2007-000775	R-CHIP;33KOHM,5%,1/16W,TP,1005	1	S.N.A	
....4	R110	2007-000775	R-CHIP;33KOHM,5%,1/16W,TP,1005	1	S.N.A	
....4	R110	2007-000775	R-CHIP;33KOHM,5%,1/16W,TP,1005	1	S.N.A	





## 5. Exploded View &amp; Part List

Level	Location No.	Code No.	Description & Specification	Q'ty	SA/SNA	Remark
....4	R110	2007-001313	R-CHIP;330ohm,5%,1/16W,TP,1005	1	S.N.A	
....4	R110	2007-001325	R-CHIP;3.3Kohm,5%,1/16W,TP,1005	1	S.N.A	
....4	R110	2007-001325	R-CHIP;3.3Kohm,5%,1/16W,TP,1005	1	S.N.A	
....4	R110	2007-001325	R-CHIP;3.3Kohm,5%,1/16W,TP,1005	1	S.N.A	
....4	R110	2007-001325	R-CHIP;3.3Kohm,5%,1/16W,TP,1005	1	S.N.A	
....4	R110	2007-007096	R-CHIP;160ohm,5%,1/16W,TP,1005	1	S.N.A	
....4	R110	2007-007226	R-CHIP;49.9ohm,1%,1/10W,TP,1608	1	S.A	
....4	R110	2007-007297	R-CHIP;110ohm,1%,1/10W,TP,1608	1	S.A	
....4	R110	2007-007297	R-CHIP;110ohm,1%,1/10W,TP,1608	1	S.A	
....4	R110	2007-007306	R-CHIP;100ohm,1%,1/16W,TP,1005	1	S.N.A	
....4	R110	2007-007306	R-CHIP;100ohm,1%,1/16W,TP,1005	1	S.N.A	
....4	R110	2007-007306	R-CHIP;100ohm,1%,1/16W,TP,1005	1	S.N.A	
....4	R110	2007-007306	R-CHIP;100ohm,1%,1/16W,TP,1005	1	S.N.A	
....4	R110	2007-007306	R-CHIP;100ohm,1%,1/16W,TP,1005	1	S.N.A	
....4	R110	2007-007306	R-CHIP;100ohm,1%,1/16W,TP,1005	1	S.N.A	
....4	R110	2007-007306	R-CHIP;100ohm,1%,1/16W,TP,1005	1	S.N.A	
....4	R110	2007-007306	R-CHIP;100ohm,1%,1/16W,TP,1005	1	S.N.A	
....4	R110	2007-007306	R-CHIP;100ohm,1%,1/16W,TP,1005	1	S.N.A	
....4	R110	2007-007318	R-CHIP;1Kohm,1%,1/16W,TP,1005	1	S.N.A	
....4	R110	2007-007318	R-CHIP;1Kohm,1%,1/16W,TP,1005	1	S.N.A	
....4	R110	2007-007318	R-CHIP;1Kohm,1%,1/16W,TP,1005	1	S.N.A	
....4	R110	2007-007698	R-CHIP;5.1KOHM,1%,1/16W,TP,1005	1	S.N.A	
....4	R110	2007-007723	R-CHIP;75Kohm,1%,1/10W,TP,1608	1	S.A	
....4	RA5104	2011-000585	R-NETWORK;47ohm,5%,1/16W,L,CHIP,8P,TP,3.	1	S.A	
....4	RA5105	2011-000585	R-NETWORK;47ohm,5%,1/16W,L,CHIP,8P,TP,3.	1	S.A	
....4	RA5106	2011-000585	R-NETWORK;47ohm,5%,1/16W,L,CHIP,8P,TP,3.	1	S.A	
....4	RA5107	2011-000585	R-NETWORK;47ohm,5%,1/16W,L,CHIP,8P,TP,3.	1	S.A	
....4	RA5108	2011-000585	R-NETWORK;47ohm,5%,1/16W,L,CHIP,8P,TP,3.	1	S.A	
....4	RA5109	2011-000585	R-NETWORK;47ohm,5%,1/16W,L,CHIP,8P,TP,3.	1	S.A	
....4	RA3101	2011-000651	R-NETWORK;10ohm,5%,1/16W,L,CHIP,8P,TP,32	1	S.A	
....4	RA3102	2011-000651	R-NETWORK;10ohm,5%,1/16W,L,CHIP,8P,TP,32	1	S.A	
....4	RA3103	2011-000651	R-NETWORK;10ohm,5%,1/16W,L,CHIP,8P,TP,32	1	S.A	
....4	RA3104	2011-000651	R-NETWORK;10ohm,5%,1/16W,L,CHIP,8P,TP,32	1	S.A	
....4	RA3109	2011-000651	R-NETWORK;10ohm,5%,1/16W,L,CHIP,8P,TP,32	1	S.A	
....4	RA3110	2011-000651	R-NETWORK;10ohm,5%,1/16W,L,CHIP,8P,TP,32	1	S.A	
....4	RA3111	2011-000651	R-NETWORK;10ohm,5%,1/16W,L,CHIP,8P,TP,32	1	S.A	
....4	RA3112	2011-000651	R-NETWORK;10ohm,5%,1/16W,L,CHIP,8P,TP,32	1	S.A	
....4	RA3117	2011-000651	R-NETWORK;10ohm,5%,1/16W,L,CHIP,8P,TP,32	1	S.A	
....4	RA3118	2011-000651	R-NETWORK;10ohm,5%,1/16W,L,CHIP,8P,TP,32	1	S.A	
....4	RA5101	2011-000816	R-NETWORK;100ohm,5%,1/16W,L,CHIP,8P,TP,3	1	S.A	
....4	RA7104	2011-000816	R-NETWORK;100ohm,5%,1/16W,L,CHIP,8P,TP,3	1	S.A	
....4	RA2101	2011-000881	R-NETWORK;33ohm,5%,1/16W,L,CHIP,8P,TP,3.	1	S.A	
....4	RA3115	2011-000881	R-NETWORK;33ohm,5%,1/16W,L,CHIP,8P,TP,3.	1	S.A	
....4	RA3116	2011-000881	R-NETWORK;33ohm,5%,1/16W,L,CHIP,8P,TP,3.	1	S.A	
....4	RA5102	2011-000881	R-NETWORK;33ohm,5%,1/16W,L,CHIP,8P,TP,3.	1	S.A	
....4	RA5103	2011-000881	R-NETWORK;33ohm,5%,1/16W,L,CHIP,8P,TP,3.	1	S.A	
....4	RA7103	2011-000881	R-NETWORK;33ohm,5%,1/16W,L,CHIP,8P,TP,3.	1	S.A	
....4	RA7105	2011-000881	R-NETWORK;33ohm,5%,1/16W,L,CHIP,8P,TP,3.	1	S.A	
....4	RA7107	2011-000881	R-NETWORK;33ohm,5%,1/16W,L,CHIP,8P,TP,3.	1	S.A	
....4	RA7108	2011-000881	R-NETWORK;33ohm,5%,1/16W,L,CHIP,8P,TP,3.	1	S.A	
....4	RA7203	2011-000881	R-NETWORK;33ohm,5%,1/16W,L,CHIP,8P,TP,3.	1	S.A	

5. Exploded View & Part List

Level	Location No.	Code No.	Description & Specification	Q'ty	SA/SNA	Remark
...4	RA7204	2011-000881	R-NETWORK;33ohm,5%,1/16W,L,CHIP,8P,TP,3.	1	S.A	
...4	RA3113_SID	2011-001001	R-NETWORK;0ohm,5%,1/16W,L,CHIP,8P,TP,3.2	1	S.A	
...4	RA3114_SID	2011-001001	R-NETWORK;0ohm,5%,1/16W,L,CHIP,8P,TP,3.2	1	S.A	
...4	RA5243	2011-001001	R-NETWORK;0ohm,5%,1/16W,L,CHIP,8P,TP,3.2	1	S.A	
...4	RA5244	2011-001001	R-NETWORK;0ohm,5%,1/16W,L,CHIP,8P,TP,3.2	1	S.A	
...4	RA5245	2011-001001	R-NETWORK;0ohm,5%,1/16W,L,CHIP,8P,TP,3.2	1	S.A	
...4	RA5246	2011-001001	R-NETWORK;0ohm,5%,1/16W,L,CHIP,8P,TP,3.2	1	S.A	
...4	RA5247	2011-001001	R-NETWORK;0ohm,5%,1/16W,L,CHIP,8P,TP,3.2	1	S.A	
...4	RA6101	2011-001001	R-NETWORK;0ohm,5%,1/16W,L,CHIP,8P,TP,3.2	1	S.A	
...4	RA6169	2011-001001	R-NETWORK;0ohm,5%,1/16W,L,CHIP,8P,TP,3.2	1	S.A	
...4	RA6170	2011-001001	R-NETWORK;0ohm,5%,1/16W,L,CHIP,8P,TP,3.2	1	S.A	
...4	RA6172	2011-001001	R-NETWORK;0ohm,5%,1/16W,L,CHIP,8P,TP,3.2	1	S.A	
...4	RA6173	2011-001001	R-NETWORK;0ohm,5%,1/16W,L,CHIP,8P,TP,3.2	1	S.A	
...4	RA7009	2011-001011	R-NETWORK;10Kohm,5%,1/16W,L,CHIP,8P,TP,3	1	S.A	
...4	RA7010	2011-001011	R-NETWORK;10Kohm,5%,1/16W,L,CHIP,8P,TP,3	1	S.A	
...4	RA7011	2011-001011	R-NETWORK;10Kohm,5%,1/16W,L,CHIP,8P,TP,3	1	S.A	
...4	RA7012	2011-001011	R-NETWORK;10Kohm,5%,1/16W,L,CHIP,8P,TP,3	1	S.A	
...4	RA7209	2011-001011	R-NETWORK;10Kohm,5%,1/16W,L,CHIP,8P,TP,3	1	S.A	
...4	RA7001	2011-001087	R-NETWORK;75ohm,5%,1/16W,L,CHIP,8P,TP,3.	1	S.A	
...4	RA7002	2011-001087	R-NETWORK;75ohm,5%,1/16W,L,CHIP,8P,TP,3.	1	S.A	
...4	RA7003	2011-001087	R-NETWORK;75ohm,5%,1/16W,L,CHIP,8P,TP,3.	1	S.A	
...4	RA7004	2011-001087	R-NETWORK;75ohm,5%,1/16W,L,CHIP,8P,TP,3.	1	S.A	
...4	RA7005	2011-001087	R-NETWORK;75ohm,5%,1/16W,L,CHIP,8P,TP,3.	1	S.A	
...4	RA7006	2011-001087	R-NETWORK;75ohm,5%,1/16W,L,CHIP,8P,TP,3.	1	S.A	
...4	RA7007	2011-001087	R-NETWORK;75ohm,5%,1/16W,L,CHIP,8P,TP,3.	1	S.A	
...4	RA7008	2011-001087	R-NETWORK;75ohm,5%,1/16W,L,CHIP,8P,TP,3.	1	S.A	
...4	RA7101	2011-001087	R-NETWORK;75ohm,5%,1/16W,L,CHIP,8P,TP,3.	1	S.A	
...4	RA7205	2011-001087	R-NETWORK;75ohm,5%,1/16W,L,CHIP,8P,TP,3.	1	S.A	
...4	RA7210	2011-001087	R-NETWORK;75ohm,5%,1/16W,L,CHIP,8P,TP,3.	1	S.A	
...4	RA2102	2011-001093	R-NETWORK;100ohm,5%,1/16W,L,CHIP,8P,TP,3	1	S.A	
...4	RA2103	2011-001093	R-NETWORK;100ohm,5%,1/16W,L,CHIP,8P,TP,3	1	S.A	
...4	RA7201	2011-001093	R-NETWORK;100ohm,5%,1/16W,L,CHIP,8P,TP,3	1	S.A	
...4	RA7202	2011-001093	R-NETWORK;100ohm,5%,1/16W,L,CHIP,8P,TP,3	1	S.A	
...4	C120	2203-000206	C-CER,CHIP;100nF,10%,50V,X7R,2012	1	S.A	
...4	C120	2203-000233	C-CER,CHIP;0.1nF,5%,50V,C0G,1005	1	S.A	
...4	C120	2203-000233	C-CER,CHIP;0.1nF,5%,50V,C0G,1005	1	S.A	
...4	C120	2203-000233	C-CER,CHIP;0.1nF,5%,50V,C0G,1005	1	S.A	
...4	C120	2203-000233	C-CER,CHIP;0.1nF,5%,50V,C0G,1005	1	S.A	
...4	C120	2203-000233	C-CER,CHIP;0.1nF,5%,50V,C0G,1005	1	S.A	
...4	C120	2203-000233	C-CER,CHIP;0.1nF,5%,50V,C0G,1005	1	S.A	
...4	C120	2203-000233	C-CER,CHIP;0.1nF,5%,50V,C0G,1005	1	S.A	
...4	C120	2203-000233	C-CER,CHIP;0.1nF,5%,50V,C0G,1005	1	S.A	
...4	C120	2203-000233	C-CER,CHIP;0.1nF,5%,50V,C0G,1005	1	S.A	
...4	C120	2203-000233	C-CER,CHIP;0.1nF,5%,50V,C0G,1005	1	S.A	
...4	C120	2203-000233	C-CER,CHIP;0.1nF,5%,50V,C0G,1005	1	S.A	
...4	C120	2203-000257	C-CER,CHIP;10nF,10%,50V,X7R,TP,1608	1	S.A	
...4	C120	2203-000257	C-CER,CHIP;10nF,10%,50V,X7R,TP,1608	1	S.A	
...4	C120	2203-000332	C-CER,CHIP;0.012nF,5%,50V,C0G,1608	1	S.A	
...4	C120	2203-000332	C-CER,CHIP;0.012nF,5%,50V,C0G,1608	1	S.A	
...4	C120	2203-000386	C-CER,CHIP;0.015nF,5%,50V,C0G,1005	1	S.A	
...4	C120	2203-000386	C-CER,CHIP;0.015nF,5%,50V,C0G,1005	1	S.A	
...4	C120	2203-000386	C-CER,CHIP;0.015nF,5%,50V,C0G,1005	1	S.A	



## 5. Exploded View &amp; Part List

Level	Location No.	Code No.	Description & Specification	Q'ty	SA/SNA	Remark
...4	C120	2203-000425	C-CER,CHIP;0.018nF,5%,50V,C0G,1005	1	S.A	
...4	C120	2203-000425	C-CER,CHIP;0.018nF,5%,50V,C0G,1005	1	S.A	
...4	C120	2203-000438	C-CER,CHIP;1nF,10%,50V,X7R,1005	1	S.A	
...4	C120	2203-000438	C-CER,CHIP;1nF,10%,50V,X7R,1005	1	S.A	
...4	C120	2203-000438	C-CER,CHIP;1nF,10%,50V,X7R,1005	1	S.A	
...4	C120	2203-000438	C-CER,CHIP;1nF,10%,50V,X7R,1005	1	S.A	
...4	C120	2203-000438	C-CER,CHIP;1nF,10%,50V,X7R,1005	1	S.A	
...4	C120	2203-000438	C-CER,CHIP;1nF,10%,50V,X7R,1005	1	S.A	
...4	C120	2203-000438	C-CER,CHIP;1nF,10%,50V,X7R,1005	1	S.A	
...4	C120	2203-000438	C-CER,CHIP;1nF,10%,50V,X7R,1005	1	S.A	
...4	C120	2203-000438	C-CER,CHIP;1nF,10%,50V,X7R,1005	1	S.A	
...4	C120	2203-000438	C-CER,CHIP;1nF,10%,50V,X7R,1005	1	S.A	
...4	C120	2203-000438	C-CER,CHIP;1nF,10%,50V,X7R,1005	1	S.A	
...4	C120	2203-000438	C-CER,CHIP;1nF,10%,50V,X7R,1005	1	S.A	
...4	C120	2203-000438	C-CER,CHIP;1nF,10%,50V,X7R,1005	1	S.A	
...4	C120	2203-000438	C-CER,CHIP;1nF,10%,50V,X7R,1005	1	S.A	
...4	C120	2203-000438	C-CER,CHIP;1nF,10%,50V,X7R,1005	1	S.A	
...4	C120	2203-000438	C-CER,CHIP;1nF,10%,50V,X7R,1005	1	S.A	
...4	C120	2203-000438	C-CER,CHIP;1nF,10%,50V,X7R,1005	1	S.A	
...4	C120	2203-000438	C-CER,CHIP;1nF,10%,50V,X7R,1005	1	S.A	
...4	C120	2203-000489	C-CER,CHIP;2.2nF,10%,50V,X7R,1005	1	S.A	
...4	C120	2203-000489	C-CER,CHIP;2.2nF,10%,50V,X7R,1005	1	S.A	
...4	C120	2203-000489	C-CER,CHIP;2.2nF,10%,50V,X7R,1005	1	S.A	
...4	C120	2203-000489	C-CER,CHIP;2.2nF,10%,50V,X7R,1005	1	S.A	
...4	C120	2203-000489	C-CER,CHIP;2.2nF,10%,50V,X7R,1005	1	S.A	
...4	C120	2203-000550	C-CER,CHIP;0.02nF,5%,50V,C0G,1005	1	S.N.A	
...4	C120	2203-000550	C-CER,CHIP;0.02nF,5%,50V,C0G,1005	1	S.N.A	
...4	C120	2203-000627	C-CER,CHIP;0.022nF,5%,50V,C0G,1005	1	S.N.A	
...4	C120	2203-000627	C-CER,CHIP;0.022nF,5%,50V,C0G,1005	1	S.N.A	
...4	C120	2203-000627	C-CER,CHIP;0.022nF,5%,50V,C0G,1005	1	S.N.A	
...4	C120	2203-000714	C-CER,CHIP;3.3nF,10%,50V,X7R,TP,1005,-	1	S.A	
...4	C120	2203-000714	C-CER,CHIP;3.3nF,10%,50V,X7R,TP,1005,-	1	S.A	
...4	C120	2203-000783	C-CER,CHIP;0.33nF,5%,50V,C0G,1608	1	S.A	
...4	C120	2203-000783	C-CER,CHIP;0.33nF,5%,50V,C0G,1608	1	S.A	
...4	C120	2203-000783	C-CER,CHIP;0.33nF,5%,50V,C0G,1608	1	S.A	
...4	C120	2203-000783	C-CER,CHIP;0.33nF,5%,50V,C0G,1608	1	S.A	
...4	C120	2203-000815	C-CER,CHIP;0.033nF,5%,50V,C0G,1608	1	S.A	
...4	C120	2203-000815	C-CER,CHIP;0.033nF,5%,50V,C0G,1608	1	S.A	
...4	C120	2203-000925	C-CER,CHIP;470nF,+80-20%,50V,Y5V,2012	1	S.A	
...4	C120	2203-000925	C-CER,CHIP;470nF,+80-20%,50V,Y5V,2012	1	S.A	
...4	C120	2203-000975	C-CER,CHIP;47nF,10%,25V,X7R,TP,1608,-	1	S.A	
...4	C120	2203-000975	C-CER,CHIP;47nF,10%,25V,X7R,TP,1608,-	1	S.A	
...4	C120	2203-000975	C-CER,CHIP;47nF,10%,25V,X7R,TP,1608,-	1	S.A	
...4	C120	2203-000975	C-CER,CHIP;47nF,10%,25V,X7R,TP,1608,-	1	S.A	
...4	C120	2203-000975	C-CER,CHIP;47nF,10%,25V,X7R,TP,1608,-	1	S.A	
...4	C120	2203-000975	C-CER,CHIP;47nF,10%,25V,X7R,TP,1608,-	1	S.A	
...4	C120	2203-000975	C-CER,CHIP;47nF,10%,25V,X7R,TP,1608,-	1	S.A	
...4	C120	2203-000998	C-CER,CHIP;0.047nF,5%,50V,C0G,1608	1	S.A	
...4	C120	2203-000998	C-CER,CHIP;0.047nF,5%,50V,C0G,1608	1	S.A	
...4	C120	2203-000998	C-CER,CHIP;0.047nF,5%,50V,C0G,1608	1	S.A	
...4	C120	2203-000998	C-CER,CHIP;0.047nF,5%,50V,C0G,1608	1	S.A	
...4	C120	2203-000998	C-CER,CHIP;0.047nF,5%,50V,C0G,1608	1	S.A	
...4	C120	2203-001153	C-CER,CHIP;0.068nF,5%,50V,NP0,1005	1	S.A	

















## 5. Exploded View &amp; Part List

Level	Location No.	Code No.	Description & Specification	Q'ty	SA/SNA	Remark
....4	C120	2203-006681	C-CER,CHIP;100nF,+80-20%,25V,Y5V,1005	1	S.N.A	
....4	C120	2203-006681	C-CER,CHIP;100nF,+80-20%,25V,Y5V,1005	1	S.N.A	
....4	C120	2203-006681	C-CER,CHIP;100nF,+80-20%,25V,Y5V,1005	1	S.N.A	
....4	C120	2203-006681	C-CER,CHIP;100nF,+80-20%,25V,Y5V,1005	1	S.N.A	
....4	C120	2203-006681	C-CER,CHIP;100nF,+80-20%,25V,Y5V,1005	1	S.N.A	
....4	C120	2203-006681	C-CER,CHIP;100nF,+80-20%,25V,Y5V,1005	1	S.N.A	
....4	C120	2203-006681	C-CER,CHIP;100nF,+80-20%,25V,Y5V,1005	1	S.N.A	
....4	C120	2203-006681	C-CER,CHIP;100nF,+80-20%,25V,Y5V,1005	1	S.N.A	
....4	C120	2203-006681	C-CER,CHIP;100nF,+80-20%,25V,Y5V,1005	1	S.N.A	
....4	C120	2203-006681	C-CER,CHIP;100nF,+80-20%,25V,Y5V,1005	1	S.N.A	
....4	C120	2203-006681	C-CER,CHIP;100nF,+80-20%,25V,Y5V,1005	1	S.N.A	
....4	C120	2203-006681	C-CER,CHIP;100nF,+80-20%,25V,Y5V,1005	1	S.N.A	
....4	C120	2203-006681	C-CER,CHIP;100nF,+80-20%,25V,Y5V,1005	1	S.N.A	
....4	C120	2203-006681	C-CER,CHIP;100nF,+80-20%,25V,Y5V,1005	1	S.N.A	
....4	C120	2203-006681	C-CER,CHIP;100nF,+80-20%,25V,Y5V,1005	1	S.N.A	
....4	C120	2203-006681	C-CER,CHIP;100nF,+80-20%,25V,Y5V,1005	1	S.N.A	
....4	C120	2203-006681	C-CER,CHIP;100nF,+80-20%,25V,Y5V,1005	1	S.N.A	
....4	C120	2203-006681	C-CER,CHIP;100nF,+80-20%,25V,Y5V,1005	1	S.N.A	
....4	C120	2203-006681	C-CER,CHIP;100nF,+80-20%,25V,Y5V,1005	1	S.N.A	
....4	C120	2203-006681	C-CER,CHIP;100nF,+80-20%,25V,Y5V,1005	1	S.N.A	
....4	C120	2203-006681	C-CER,CHIP;100nF,+80-20%,25V,Y5V,1005	1	S.N.A	
....4	C120	2203-006681	C-CER,CHIP;100nF,+80-20%,25V,Y5V,1005	1	S.N.A	
....4	C120	2203-006681	C-CER,CHIP;100nF,+80-20%,25V,Y5V,1005	1	S.N.A	
....4	C120	2203-006681	C-CER,CHIP;100nF,+80-20%,25V,Y5V,1005	1	S.N.A	
....4	C120	2203-006992	C-CER,CHIP;0.33nF,5%,50V,C0G,1005	1	S.N.A	
....4	C120	2203-007176	C-CER,CHIP;10000nF,10%,16V,X5R,TP,2012 (	1	S.N.A	
....4	C120	2203-007176	C-CER,CHIP;10000nF,10%,16V,X5R,TP,2012 (	1	S.N.A	
....4	C120	2203-007176	C-CER,CHIP;10000nF,10%,16V,X5R,TP,2012 (	1	S.N.A	
....4	C120	2203-007176	C-CER,CHIP;10000nF,10%,16V,X5R,TP,2012 (	1	S.N.A	
....4	C120	2203-007176	C-CER,CHIP;10000nF,10%,16V,X5R,TP,2012 (	1	S.N.A	
....4	C120	2203-007176	C-CER,CHIP;10000nF,10%,16V,X5R,TP,2012 (	1	S.N.A	
....4	C120	2203-007176	C-CER,CHIP;10000nF,10%,16V,X5R,TP,2012 (	1	S.N.A	
....4	C120	2203-007176	C-CER,CHIP;10000nF,10%,16V,X5R,TP,2012 (	1	S.N.A	
....4	C120	2203-007176	C-CER,CHIP;10000nF,10%,16V,X5R,TP,2012 (	1	S.N.A	
....4	C120	2203-007176	C-CER,CHIP;10000nF,10%,16V,X5R,TP,2012 (	1	S.N.A	
....4	C120	2203-007176	C-CER,CHIP;10000nF,10%,16V,X5R,TP,2012 (	1	S.N.A	
....4	C120	2203-007176	C-CER,CHIP;10000nF,10%,16V,X5R,TP,2012 (	1	S.N.A	
....4	C1120	2402-001128	C-AL,SMD;100##F,20%,16V,-,TP,6.3X5.7mm	1	S.A	
....4	C1121	2402-001128	C-AL,SMD;100##F,20%,16V,-,TP,6.3X5.7mm	1	S.A	
....4	C2139	2402-001128	C-AL,SMD;100##F,20%,16V,-,TP,6.3X5.7mm	1	S.A	
....4	C2140	2402-001128	C-AL,SMD;100##F,20%,16V,-,TP,6.3X5.7mm	1	S.A	
....4	C3170	2402-001128	C-AL,SMD;100##F,20%,16V,-,TP,6.3X5.7mm	1	S.A	
....4	C3189	2402-001129	C-AL,SMD;47UF,20%,16V,WT,TP,6.3X5.2MM	1	S.A	
....4	C1163	2402-001210	C-POLYMER AL CHIP;100uF,20%,10V,WT,TP,7.	1	S.A	
....4	C1169	2402-001210	C-POLYMER AL CHIP;100uF,20%,10V,WT,TP,7.	1	S.A	
....4	C5120	2402-001210	C-POLYMER AL CHIP;100uF,20%,10V,WT,TP,7.	1	S.A	
....4	C5355	2402-001210	C-POLYMER AL CHIP;100uF,20%,10V,WT,TP,7.	1	S.A	
....4	C1351	2409-001118	C-POLYMER ,CHIP;47uF,+20,10V,WT,REEL,3.	1	S.A	
....4	T0052	2703-000398	INDUCTOR-SMD;10uH,10%,3225	1	S.A	
....4	T0052	2703-000398	INDUCTOR-SMD;10uH,10%,3225	1	S.A	
....4	T0052	2703-000417	INDUCTOR-SMD;220uH,5%,3225	1	S.A	
....4	T0052	2703-001334	INDUCTOR-SMD;1.5uH,10%,2012	1	S.A	
....4	T0052	2703-001334	INDUCTOR-SMD;1.5uH,10%,2012	1	S.A	
....4	T0052	2703-001334	INDUCTOR-SMD;1.5uH,10%,2012	1	S.A	
....4	T0052	2703-001334	INDUCTOR-SMD;1.5uH,10%,2012	1	S.A	
....4	T0052	2703-001426	INDUCTOR-SMD;680uH,20%,7070	1	S.A	
....4	T0052	2703-002722	INDUCTOR-SMD;22uH,20%,12x12mm	1	S.A	
....4	T0052	2703-002722	INDUCTOR-SMD;22uH,20%,12x12mm	1	S.A	
....4	L2101	2704-000018	INDUCTOR-SMD-ARRAY;15uH,2000mA,2,0.124oh	1	S.N.A	

5. Exploded View & Part List

Level	Location No.	Code No.	Description & Specification	Q'ty	SA/SNA	Remark
...4	L2102	2704-000018	INDUCTOR-SMD-ARRAY;15uH,2000mA,2,0.124oh	1	S.N.A	
...4	X202	2801-003326	CRYSTAL-SMD;24MHZ,30PPM,28-ABX,20PF,50OH	1	S.A	
...4	X202	2801-003954	CRYSTAL-SMD;27MHz,30ppm,28-AAN,16pF,50oh	1	S.A	
...4	X202	2801-003954	CRYSTAL-SMD;27MHz,30ppm,28-AAN,16pF,50oh	1	S.A	
...4	F103	2901-001114	FILTER-EMI SMD;25VDC,2.0ADC,-,100nF,3.2x	1	S.A	
...4	F103	2901-001302	FILTER-EMI SMD;20V,0.3A,0pF,2.0x1.2x1.3m	1	S.A	
...4	F103	2901-001302	FILTER-EMI SMD;20V,0.3A,0pF,2.0x1.2x1.3m	1	S.A	
...4	F103	2901-001302	FILTER-EMI SMD;20V,0.3A,0pF,2.0x1.2x1.3m	1	S.A	
...4	F103	2901-001302	FILTER-EMI SMD;20V,0.3A,0pF,2.0x1.2x1.3m	1	S.A	
...4	T0568	3301-001145	BEAD-SMD;60ohm,4516,TP,70ohm/45MHz,82ohm	1	S.N.A	
...4	T0568	3301-001145	BEAD-SMD;60ohm,4516,TP,70ohm/45MHz,82ohm	1	S.N.A	
...4	T0568	3301-001145	BEAD-SMD;60ohm,4516,TP,70ohm/45MHz,82ohm	1	S.N.A	
...4	T0568	3301-001145	BEAD-SMD;60ohm,4516,TP,70ohm/45MHz,82ohm	1	S.N.A	
...4	T0568	3301-001145	BEAD-SMD;60ohm,4516,TP,70ohm/45MHz,82ohm	1	S.N.A	
...4	T0568	3301-001145	BEAD-SMD;60ohm,4516,TP,70ohm/45MHz,82ohm	1	S.N.A	
...4	T0568	3301-001145	BEAD-SMD;60ohm,4516,TP,70ohm/45MHz,82ohm	1	S.N.A	
...4	T0568	3301-001145	BEAD-SMD;60ohm,4516,TP,70ohm/45MHz,82ohm	1	S.N.A	
...4	T0568	3301-001145	BEAD-SMD;60ohm,4516,TP,70ohm/45MHz,82ohm	1	S.N.A	
...4	T0568	3301-001148	BEAD-SMD;60ohm,1608,TP,-,-	1	S.N.A	
...4	T0568	3301-001148	BEAD-SMD;60ohm,1608,TP,-,-	1	S.N.A	
...4	T0568	3301-001148	BEAD-SMD;60ohm,1608,TP,-,-	1	S.N.A	
...4	T0568	3301-001148	BEAD-SMD;60ohm,1608,TP,-,-	1	S.N.A	
...4	T0568	3301-001148	BEAD-SMD;60ohm,1608,TP,-,-	1	S.N.A	
...4	T0568	3301-001148	BEAD-SMD;60ohm,1608,TP,-,-	1	S.N.A	
...4	T0568	3301-001404	BEAD-SMD;30ohm,2012,TP,15.9OHM/30MHz	1	S.A	
...4	T0568	3301-001404	BEAD-SMD;30ohm,2012,TP,15.9OHM/30MHz	1	S.A	
...4	T0568	3301-001404	BEAD-SMD;30ohm,2012,TP,15.9OHM/30MHz	1	S.A	
...4	T0568	3301-001404	BEAD-SMD;30ohm,2012,TP,15.9OHM/30MHz	1	S.A	
...4	T0568	3301-001404	BEAD-SMD;30ohm,2012,TP,15.9OHM/30MHz	1	S.A	
...4	T0568	3301-001404	BEAD-SMD;30ohm,2012,TP,15.9OHM/30MHz	1	S.A	
...4	T0568	3301-001404	BEAD-SMD;30ohm,2012,TP,15.9OHM/30MHz	1	S.A	
...4	T0568	3301-001404	BEAD-SMD;30ohm,2012,TP,15.9OHM/30MHz	1	S.A	
...4	T0568	3301-001404	BEAD-SMD;30ohm,2012,TP,15.9OHM/30MHz	1	S.A	
...4	T0568	3301-001404	BEAD-SMD;30ohm,2012,TP,15.9OHM/30MHz	1	S.A	
...4	T0568	3301-001404	BEAD-SMD;30ohm,2012,TP,15.9OHM/30MHz	1	S.A	
...4	T0568	3301-001404	BEAD-SMD;30ohm,2012,TP,15.9OHM/30MHz	1	S.A	
...4	T0568	3301-001404	BEAD-SMD;30ohm,2012,TP,15.9OHM/30MHz	1	S.A	
...4	T0568	3301-001404	BEAD-SMD;30ohm,2012,TP,15.9OHM/30MHz	1	S.A	
...4	T0568	3301-001404	BEAD-SMD;30ohm,2012,TP,15.9OHM/30MHz	1	S.A	
...4	T0568	3301-001404	BEAD-SMD;30ohm,2012,TP,15.9OHM/30MHz	1	S.A	
...4	T0568	3301-001404	BEAD-SMD;30ohm,2012,TP,15.9OHM/30MHz	1	S.A	
...4	T0568	3301-001569	BEAD-SMD;600ohm,2012,1000mA,TP,520ohm/90	1	S.N.A	
...4	T0568	3301-001569	BEAD-SMD;600ohm,2012,1000mA,TP,520ohm/90	1	S.N.A	
...4	T0568	3301-001569	BEAD-SMD;600ohm,2012,1000mA,TP,520ohm/90	1	S.N.A	
...4	T0568	3301-001569	BEAD-SMD;600ohm,2012,1000mA,TP,520ohm/90	1	S.N.A	
...4	T0568	3301-001569	BEAD-SMD;600ohm,2012,1000mA,TP,520ohm/90	1	S.N.A	
...4	T0568	3301-001569	BEAD-SMD;600ohm,2012,1000mA,TP,520ohm/90	1	S.N.A	
...4	T0568	3301-001569	BEAD-SMD;600ohm,2012,1000mA,TP,520ohm/90	1	S.N.A	
...4	T0568	3301-001569	BEAD-SMD;600ohm,2012,1000mA,TP,520ohm/90	1	S.N.A	
...4	T0568	3301-001569	BEAD-SMD;600ohm,2012,1000mA,TP,520ohm/90	1	S.N.A	
...4	T0568	3301-001569	BEAD-SMD;600ohm,2012,1000mA,TP,520ohm/90	1	S.N.A	
...4	T0568	3301-001569	BEAD-SMD;600ohm,2012,1000mA,TP,520ohm/90	1	S.N.A	
...4	T0568	3301-001569	BEAD-SMD;600ohm,2012,1000mA,TP,520ohm/90	1	S.N.A	
...4	T0568	3301-001569	BEAD-SMD;600ohm,2012,1000mA,TP,520ohm/90	1	S.N.A	
...4	T0568	3301-001569	BEAD-SMD;600ohm,2012,1000mA,TP,520ohm/90	1	S.N.A	
...4	T0568	3301-001569	BEAD-SMD;600ohm,2012,1000mA,TP,520ohm/90	1	S.N.A	
...4	T0568	3301-001569	BEAD-SMD;600ohm,2012,1000mA,TP,520ohm/90	1	S.N.A	
...4	T0568	3301-001569	BEAD-SMD;600ohm,2012,1000mA,TP,520ohm/90	1	S.N.A	
...4	T0568	3301-001569	BEAD-SMD;600ohm,2012,1000mA,TP,520ohm/90	1	S.N.A	
...4	T0568	3301-001569	BEAD-SMD;600ohm,2012,1000mA,TP,520ohm/90	1	S.N.A	

## 5. Exploded View &amp; Part List

Level	Location No.	Code No.	Description & Specification	Q'ty	SA/SNA	Remark
....4	T0568	3301-001569	BEAD-SMD;600ohm,2012,1000mA,TP,520ohm/90	1	S.N.A	
....4	T0568	3301-001569	BEAD-SMD;600ohm,2012,1000mA,TP,520ohm/90	1	S.N.A	
....4	T0568	3301-001569	BEAD-SMD;600ohm,2012,1000mA,TP,520ohm/90	1	S.N.A	
....4	T0568	3301-001569	BEAD-SMD;600ohm,2012,1000mA,TP,520ohm/90	1	S.N.A	
....4	T0568	3301-001569	BEAD-SMD;600ohm,2012,1000mA,TP,520ohm/90	1	S.N.A	
....4	T0568	3301-001569	BEAD-SMD;600ohm,2012,1000mA,TP,520ohm/90	1	S.N.A	
....4	T0568	3301-001569	BEAD-SMD;600ohm,2012,1000mA,TP,520ohm/90	1	S.N.A	
....4	T0568	3301-001569	BEAD-SMD;600ohm,2012,1000mA,TP,520ohm/90	1	S.N.A	
....4	T0568	3301-001569	BEAD-SMD;600ohm,2012,1000mA,TP,520ohm/90	1	S.N.A	
....4	T0568	3301-001569	BEAD-SMD;600ohm,2012,1000mA,TP,520ohm/90	1	S.N.A	
....4	T0568	3301-001569	BEAD-SMD;600ohm,2012,1000mA,TP,520ohm/90	1	S.N.A	
....4	T0568	3301-001569	BEAD-SMD;600ohm,2012,1000mA,TP,520ohm/90	1	S.N.A	
....4	T0568	3301-001569	BEAD-SMD;600ohm,2012,1000mA,TP,520ohm/90	1	S.N.A	
....4	T0568	3301-001569	BEAD-SMD;600ohm,2012,1000mA,TP,520ohm/90	1	S.N.A	
....4	T0568	3301-001569	BEAD-SMD;600ohm,2012,1000mA,TP,520ohm/90	1	S.N.A	
....4	T0568	3301-001569	BEAD-SMD;600ohm,2012,1000mA,TP,520ohm/90	1	S.N.A	
....4	T0568	3301-001569	BEAD-SMD;600ohm,2012,1000mA,TP,520ohm/90	1	S.N.A	
....4	T0568	3301-001569	BEAD-SMD;600ohm,2012,1000mA,TP,520ohm/90	1	S.N.A	
....4	T0568	3301-001569	BEAD-SMD;600ohm,2012,1000mA,TP,520ohm/90	1	S.N.A	
....4	T0568	3301-001569	BEAD-SMD;600ohm,2012,1000mA,TP,520ohm/90	1	S.N.A	
....4	JA3102	3701-001367	CONNECTOR-HDMI;19P,2R,FEMALE,SMD,AU	1	S.A	
....4	JA3103	3701-001367	CONNECTOR-HDMI;19P,2R,FEMALE,SMD,AU	1	S.A	
....4	CN330	3711-005925	HEADER-BOARD TO CABLE;BOX,51P,1R,0.5mm,S	1	S.N.A	
....4	CN330	3711-006354	HEADER-BOARD TO CABLE;BOX,41P,2R,0.5mm,S	1	S.A	
....4	T0077	BN41-00974A	PCB MAIN;Amber,FR-4,4,1.0,192*240,1	1	S.N.A	
....4	M0018	BN97-02049A	ASSY MICOM;T-PRLPEUMD,N46A,2007.11.26,11	1	S.N.A	
....5	IC115	1107-001415	IC-FLASH MEMORY;29W320D,4Mx8/2Mx16Bit,TS	1	S.N.A	
....4	M0018	BN97-02049B	ASSY MICOM;T-PRLPEUS,N46A,2007.11.26,090	1	S.N.A	
....5	IC520	0903-001552	IC-MICROCONTROLLER;WT61P8-RG480WT,LQFP,4	1	S.A	
....4	M0018	BN97-02049C	ASSY MICOM;T-PERLDEUC,N46A,2007.11.26,11	1	S.N.A	
....5	IC115	1107-001415	IC-FLASH MEMORY;29W320D,4Mx8/2Mx16Bit,TS	1	S.N.A	
....4	Q3116	0501-002184	TR-SMALL SIGNAL;KTD1304,NPN,200mW,SOT-23	1	S.A	
....4	Q3117	0501-002184	TR-SMALL SIGNAL;KTD1304,NPN,200mW,SOT-23	1	S.A	
....4	R110	2007-000070	R-CHIP;0ohm,5%,1/10W,TP,1608	1	S.A	
....4	R110	2007-000070	R-CHIP;0ohm,5%,1/10W,TP,1608	1	S.A	
....4	R110	2007-000070	R-CHIP;0ohm,5%,1/10W,TP,1608	1	S.A	
....4	R110	2007-000070	R-CHIP;0ohm,5%,1/10W,TP,1608	1	S.A	
....4	R110	2007-000070	R-CHIP;0ohm,5%,1/10W,TP,1608	1	S.A	
....4	R110	2007-000074	R-CHIP;100ohm,5%,1/10W,TP,1608	1	S.A	
....4	R110	2007-000074	R-CHIP;100ohm,5%,1/10W,TP,1608	1	S.A	
....4	R110	2007-000074	R-CHIP;100ohm,5%,1/10W,TP,1608	1	S.A	
....4	R110	2007-000074	R-CHIP;100ohm,5%,1/10W,TP,1608	1	S.A	
....4	R110	2007-000074	R-CHIP;100ohm,5%,1/10W,TP,1608	1	S.A	
....4	R110	2007-000074	R-CHIP;100ohm,5%,1/10W,TP,1608	1	S.A	
....4	R110	2007-000074	R-CHIP;100ohm,5%,1/10W,TP,1608	1	S.A	
....4	R110	2007-000074	R-CHIP;100ohm,5%,1/10W,TP,1608	1	S.A	
....4	R110	2007-007001	R-CHIP;3.9KOHM,5%,1/16W,TP,1005	1	S.A	
....4	C6151_OP	2402-001259	C-AL,SMD;220uF,20%,16V,WT,REEL,8X10	1	S.A	
....4	C2160	2402-001273	C-AL,SMD;220uF,20%,35V,WT,REEL,10X10mm	1	S.A	
....4	C1140	2409-001118	C-POLYMER ,CHIP;47uF,+20,10V,WT,REEL,3.	1	S.A	
....4	C5521	2409-001118	C-POLYMER ,CHIP;47uF,+20,10V,WT,REEL,3.	1	S.A	
....4	C5522	2409-001118	C-POLYMER ,CHIP;47uF,+20,10V,WT,REEL,3.	1	S.A	
....4	CN330	3711-006374	HEADER-BOARD TO CABLE;BOX,41P,2R,1.25mm,	1	S.A	

5. Exploded View & Part List

Level	Location No.	Code No.	Description & Specification	Q'ty	SA/SNA	Remark
...4	IC104	0801-002633	IC-CMOS LOGIC;7WBD3125,2bit BUS SWITCH,S	1	S.A	
...4	IC104	0801-002633	IC-CMOS LOGIC;7WBD3125,2bit BUS SWITCH,S	1	S.A	
...4	IC104	0801-002633	IC-CMOS LOGIC;7WBD3125,2bit BUS SWITCH,S	1	S.A	
...4	IC104	0801-002633	IC-CMOS LOGIC;7WBD3125,2bit BUS SWITCH,S	1	S.A	
...4	R110	2007-002425	R-CHIP;1ohm,5%,1/10W,TP,1608	1	S.A	
...4	R110	2007-002425	R-CHIP;1ohm,5%,1/10W,TP,1608	1	S.A	
...4	R110	2007-002425	R-CHIP;1ohm,5%,1/10W,TP,1608	1	S.A	
...4	R110	2007-002425	R-CHIP;1ohm,5%,1/10W,TP,1608	1	S.A	
...4	R110	2007-002425	R-CHIP;1ohm,5%,1/10W,TP,1608	1	S.A	
...4	R110	2007-002425	R-CHIP;1ohm,5%,1/10W,TP,1608	1	S.A	
...4	R110	2007-002425	R-CHIP;1ohm,5%,1/10W,TP,1608	1	S.A	
...4	C120	2203-006158	C-CER,CHIP;100nF,10%,16V,X7R,1005	1	S.N.A	
...4	C1207	2402-001238	C-AL,SMD;1uF,20%,50V,HR,TP,4.3x4.3x5.2mm	1	S.A	
...3	T0603	BN63-04510A	SHIELD-PCB MAIN;PEARL32, EO, TOP, SPTE, T0.	1	S.N.A	
...3	T0603	BN63-04512A	SHIELD-PCB MAIN;PEARL32,EO,BOT,SPTE T0.3	1	S.N.A	
...3	SUB09_MTK	BN73-00024B	SILICON/RUBBER-GAP PAD;POSEIDON,SILICON,	1	S.N.A	
...3	SUB10_FBE	BN73-00176A	SILICON/RUBBER-GAPPAD;EDISON 24,SILICON+	1	S.A	
0.1		BN91-02026B	ASSY SHIELD-AAH;LE46A557P7FX/XC	1	S.N.A	
.2	M0081	6003-000115	SCREW-TAPTITE;BH,+,B,M3,L6,ZPC(BLK),SWRC	6	S.A	
.2	M0081	6003-000115	SCREW-TAPTITE;BH,+,B,M3,L6,ZPC(BLK),SWRC	6	S.A	
.2	M0081	6003-000115	SCREW-TAPTITE;BH,+,B,M3,L6,ZPC(BLK),SWRC	1	S.A	
.2	M0081	6003-000337	SCREW-TAPTITE;BH,+,S,M4,L10,ZPC(BLK),SWR	3	S.A	
.2	M0081	6003-000337	SCREW-TAPTITE;BH,+,S,M4,L10,ZPC(BLK),SWR	1	S.A	
.2	M0081	6003-000337	SCREW-TAPTITE;BH,+,S,M4,L10,ZPC(BLK),SWR	2	S.A	
.2	M0081	6003-000337	SCREW-TAPTITE;BH,+,S,M4,L10,ZPC(BLK),SWR	1	S.A	
.2	M0081	6003-000337	SCREW-TAPTITE;BH,+,S,M4,L10,ZPC(BLK),SWR	5	S.A	
.2	M0081	6003-000337	SCREW-TAPTITE;BH,+,S,M4,L10,ZPC(BLK),SWR	5	S.A	
.2	M0081	6003-000337	SCREW-TAPTITE;BH,+,S,M4,L10,ZPC(BLK),SWR	2	S.A	
.2	M0081	6003-001188	SCREW-TAPTITE;BH,+,-,B,M4,L10,ZPC(WHT),S	6	S.N.A	
.2	M0081	6003-001188	SCREW-TAPTITE;BH,+,-,B,M4,L10,ZPC(WHT),S	2	S.N.A	
.2	M0081	6003-001188	SCREW-TAPTITE;BH,+,-,B,M4,L10,ZPC(WHT),S	1	S.N.A	
.2	M0081	6003-001188	SCREW-TAPTITE;BH,+,-,B,M4,L10,ZPC(WHT),S	4	S.N.A	
.2	M0081	6003-001439	SCREW-TAPTITE;BH,+,-,S,M4,L8,ZPC(WHT),SW	1	S.N.A	
.2	M0081	6006-001096	SCREW-TAPTITE;BH,+,WP,B,M4.0,L12,ZPC(BLK	2	S.N.A	
.2	M0081	6006-001096	SCREW-TAPTITE;BH,+,WP,B,M4.0,L12,ZPC(BLK	2	S.N.A	
.2	M0081	6006-001096	SCREW-TAPTITE;BH,+,WP,B,M4.0,L12,ZPC(BLK	2	S.N.A	
.2	M2893	BN39-00789A	LEAD CONNECTOR;LA46F71BX,UL1007#26,UL100	1	S.A	
.2	M2893	BN39-00802G	LEAD CONNECTOR;SPD-63P71FHD,UL1617#22,24	1	S.A	
.2	M2893	BN39-00830A	LEAD CONNECTOR;LNT4642HX/XAA,UL1061#28,7	1	S.A	
.2	M2893	BN39-00948E	LEAD CONNECTOR;LN52M81BD,UL1061#28,4P,3P	1	S.A	
.2	M2893	BN39-01020A	LEAD CONNECTOR;LN46A550P,UL1007#26,2pin,	1	S.A	
.2	M2893	BN39-01024A	LEAD CONNECTOR;LN46A550P1FXZA,UL1007#26,	1	S.A	
.2	M0174	BN44-00203A	IP BOARD;SIP468A,PEARL,15mA,135mA,150Hz,	1	S.A	
.2	M0114	BN61-02500A	HOLDER-WIRE;NYLON6.6,NATURAL	2	S.N.A	
.2	M0146	BN61-03414A	BRACKET-PANEL TOP;PEONY52,SECC T1.2	4	S.N.A	
.2		BN61-03788B	HOLDER-WALL LEFT;L650,46,HIPS,HB,BK500,L	1	S.N.A	
...3		BN61-02932A	BRACKET-STOPPER NUT;SUM24L	2	S.N.A	
...3		BN81-00199H	RESIN;HIPS HB,BK500,HF-1690H,K2901	0.283	S.N.A	
.2	M0115	BN61-03790A	BRACKET-STAND LINK;AMBER 46,SECC,T1.6,-,	1	S.N.A	
.2		BN61-03864B	HOLDER-WALL RIGHT;L650,46,HIPS,HB,BK500,	1	S.N.A	
...3		BN61-02932A	BRACKET-STOPPER NUT;SUM24L	2	S.N.A	

## 5. Exploded View &amp; Part List

Level	Location No.	Code No.	Description & Specification	Q'ty	SA/SNA	Remark
...3		BN81-00199H	RESIN;HIPS HB,BK500,HF-1690H,K2901	0.282	S.N.A	
..2	M0107	BN63-03039A	SHIELD-COVER;MURANO40,PCM,T0.5,IDTV	1	S.N.A	
..2	M0125	BN96-05490A	ASSY INLET P;LE52M87BDX,XEC,300,300,150m	1	S.A	
..2	M0230	BN96-06678A	ASSY CABLE P-FFC;PEONY 46",FFC,117001-41	1	S.A	
..2	T0175	BN96-06809B	ASSY SPEAKER P;8ohm,L530 40"/46",Down Fi	1	S.A	
..2	T0447	BN96-06885A	ASSY BRACKET P-PANEL;46,L650A,AMBER	1	S.N.A	
...3	M0081	6003-001188	SCREW-TAPTITE;BH,+,-,B,M4,L10,ZPC(WHT),S	1	S.N.A	
...3	M0081	6003-001188	SCREW-TAPTITE;BH,+,-,B,M4,L10,ZPC(WHT),S	1	S.N.A	
...3	M0081	6003-001188	SCREW-TAPTITE;BH,+,-,B,M4,L10,ZPC(WHT),S	2	S.N.A	
...3		BN61-03516A	BRACKET-GUIDE POWER L;46J8 PEONY2,SECC T	1	S.N.A	
...3		BN61-03520A	BRACKET-GUIDE MAIN;46J8 PEONY2,SECC T1.2	1	S.N.A	
...3		BN61-03829A	BRACKET-PANEL BOTTOM;AMBER 46,SECC,T1.6,	1	S.N.A	
...3		BN61-03830A	BRACKET-GUIDE POWER R;AMBER 46,SECC,T1.2	2	S.N.A	
...3	M0131	BN63-03520A	GASKET;Tulip,Conductive Fabric,10,18,300	2	S.N.A	
...3	M0131	BN63-03812A	GASKET;Tulip,Conductive Fabric,10,10,180	1	S.N.A	
..2	M0214	BN96-07161K	ASSY CABLE P-FLAT LVDS;LE46A556P1FXXC,FF	1	S.A	
..2	M0020	BN96-07563A	ASSY BOARD P-SIDE AV;L46A558P3F,SJ08-01-	1	S.N.A	
0.1		BN91-02031A	ASSY LCD-AUO;LE46A556P1FX/XC, T460HW03 V	1	S.N.A	
..2	M0215	BN07-00517A	LCD-PANEL;T460HW03 V1,8bit,46inch,16.7M,	1	S.A	
0.1	M0003	BN92-03226F	ASSY BOX;46L530,EO(iDTV),P3	1	S.N.A	
..2	M0521	BN69-02381A	BOX-SET,IN;L650-46-S,CB,C-01,DY-01,AB,W1	1	S.N.A	
..2		BN69-02430B	BOX-SET,OUT;L550P3-46,CB,C3,DY-01,W1220,	1	S.N.A	
0.1	M0113	BN92-03231B	ASSY P/MATERIAL;46L530,W/W	1	S.N.A	
..2	T0003	6902-000604	BAG WRAPPING;LDPE,T0.02,W500,L10000,TRP,	7.5	S.N.A	
..2	T0524	6902-000684	BAG PE;HDPE/NITRON,T0.015/T0.5,W1400,L14	1	S.N.A	
..2		6922-000013	BAND PP;PP,W18,L2300m,TRP,Roll Diameter	5.1	S.N.A	
..2	T0214	AA61-00049B	HOLDER-BOX;DP,AA61-20285A,PP,NTR,V0	2	S.N.A	
..2	T0214	BN74-00008A	TAPE-OPP MASKING;OPP-2,T0.05,W100,L800M,	1.38	S.N.A	
0.1	M0019	BN92-03261G	ASSY LABEL;LE46A557P2FX*	1	S.N.A	
0.1	M0045	BN92-03267C	ASSY ACCESSORY;LE46A556P1FX/XC,LE52A558P	1	S.N.A	
..2	M0045	BN96-07178A	ASSY ACCESSORY-MANUAL;LE46A556P1FXXC,N46	1	S.A	
...3	T0524	6902-000110	BAG PE;LDPE,T0.05,W250,L400,TRP,28,2	1	S.N.A	
...3	T0210	AA68-03242K	MANUAL FLYER-01,SAFETY GUIDE;comm,Samsun	1	S.N.A	
...3		AA68-03575A	MANUAL FLYER-02,REGISTRATION C;XEU,ENG,U	1	S.N.A	
...3		AA68-03575B	MANUAL FLYER-02,REGISTRATION C;XEG,GERMA	1	S.N.A	
...3		AA68-03575C	MANUAL FLYER-02,REGISTRATION C;XEF,FRENC	1	S.N.A	
...3		AA68-03575D	MANUAL FLYER-03,REGISTRATION C;XEC,SPANI	1	S.N.A	
...3		AA68-03575E	MANUAL FLYER-04,REGISTRATION C;XET,ITALY	1	S.N.A	
...3		AA68-03575F	MANUAL FLYER-02,REGISTRATION C;XEN,DUTCH	1	S.N.A	
...3		AA68-03575G	MANUAL FLYER-02,REGISTRATION C;XEP,PORTU	1	S.N.A	
...3		BN68-00514E	MANUAL FLYER-00,WARRANTY CARD;comm,Samsu	1	S.N.A	
...3	T0511	BN68-01409A	MANUAL USERS;COMM,SAMSUNG,8Language,W.Eu	1	S.N.A	
..2	M0045	BN96-07178B	ASSY ACCESSORY-CABEL;LE46A558P3FXXC,LE52	1	S.A	
...3	T0268	3903-000145	CBF-POWER CORD;DT,EU,FP3/YES,U(IEC C13-R	1	S.A	
...3	T0524	6902-000110	BAG PE;LDPE,T0.05,W250,L400,TRP,28,2	1	S.N.A	
...3	T0074	BN59-00683A	REMOCON;TM-96B,49,EUROPE_DTV-550	1	S.A	

5. Exploded View & Part List

Level	Location No.	Code No.	Description & Specification	Q'ty	SA/SNA	Remark
...3		BN63-01798A	CLOTH-CLEAN;RE40**,CLOTH,180,200,RHCM	1	S.N.A	
...3	T0531	BN63-04374A	COVER-BOTTOM;46,52L550,P2,P3,P4,HIPS,-,-	1	S.N.A	
...4		BN81-00199H	RESIN;HIPS HB,BK500,HF-1690H,K2901	0.062	S.N.A	
.2	T0214	BN74-00008A	TAPE-OPP MASKING;OPP-2,T0.05,W100,L800M,	1.23	S.N.A	

## 5-10. LE52A55\*P Parts List

Level	Location No.	Code No.	Description & Specification	Q'ty	SA/SNA	Remark
0		LE52A558P3FXXC	LE52A558P3F,N46A/52AP3-GPR,52,LCD-TV,SPA	0		
0.1	M0001	BN90-01549F	ASSY COVER FRONT;52L530,EO(iDTV),P3	1	S.N.A	
..2	T0003	BN96-06713B	ASSY COVER P-FRONT;52L550,P3,EO(iDTV),AB	1	S.A	
...3	M0081	6003-001188	SCREW-TAPTITE;BH,+,-,B,M4,L10,ZPC(WHT),S	1	S.N.A	
...3	M0081	6003-001188	SCREW-TAPTITE;BH,+,-,B,M4,L10,ZPC(WHT),S	2	S.N.A	
...3	T0069	AA60-00091J	SPACER-FELT;-,FELT,330X10,-,-,BLK,T0.5,-	2	S.N.A	
...3	T0069	AA60-00091P	SPACER-FELT;FELT,500X10,BLK,T0.5	2	S.N.A	
...3	CCM1	BN63-02183E	COVER-SHEET;Rhcm,PE Vinyl,T0.05,750mm,20	0.994	S.N.A	
...3	M0112	BN63-04375C	COVER-FRONT;52L550,P2,P3,P4,EO(iDTV),ABS	1	S.N.A	
...4		BN81-00204P	RESIN-HIGH GLOSS;SF-0505,K21294,ABS HB P	1.965	S.N.A	
...3	T0059	BN64-00379A	INDICATOR LED;ROME-II,23,PC,CLEAR	1	S.N.A	
...3	T0061	BN64-00453A	WINDOW-REMOCON;32R71,PC,V0,VIOLET,DIFFUS	1	S.N.A	
...3	T0022	BN64-00755A	KNOB-CONTROL;32L450,ABS,V0,BK07	1	S.N.A	
...4		BH83-00150P	CKD-ABS HB;HF-0680U,K2331	0.037	S.N.A	
...3		BN64-00867A	DECORATION-BOTTOM;52L550,P3,ABS,HB,GR503	1	S.N.A	
...4		BN81-00187A	RESIN;ABS HB GR503,HF-0680U,G4309	0.25	S.N.A	
...3		BN96-06934B	ASSY HOLDER P-BOSS;52L530,HIPS,HB,BK500	1	S.N.A	
...4		BN61-03261B	BOSS-TAPE;Tulip,ACRYL,T1.1,W20mm,GRAY,TA	1.05	S.N.A	
...4		BN61-03891B	HOLDER-BOSS BOTTOM;52L530,HIPS,HB,BK500	1	S.N.A	
....5		BN81-00199H	RESIN;HIPS HB,BK500,HF-1690H,K2901	0.27	S.N.A	
...3	M0146	BN96-07270H	ASSY BOARD P-POWER & IR;LE32A556P1F,CT50	1	S.A	
...3	M0145	BN96-07269A	ASSY BOARD P-FUNCTION;LN40A450C1D,CT5000	1	S.A	
					S.A	
0.1	M0216	BN90-01559A	ASSY STAND;52L530	1	S.N.A	
..2	T0081	6002-001294	SCREW-TAPPING;BH,+,,M4,L16,ZPC(BLK)	4	S.A	
..2	M0027	BN96-06937A	ASSY STAND P-BASE;52,L530,ABS+PMMA,HB,BK	1	S.A	
...3	T0081	6002-001294	SCREW-TAPPING;BH,+,,M4,L16,ZPC(BLK)	4	S.A	
...3	M0081	6003-001239	SCREW-TAPTITE;FH,+,-,B,M4,L10,ZPC(WHT),S	8	S.A	
...3		BN61-02533A	HOLDER-SWIVEL RING;46M7 EO,ACETAL,NATUAL	1	S.N.A	
...3		BN61-02534A	HOLDER-SWIVEL RING;46M7 EO,ACETAL,NATUAL	1	S.N.A	
...3		BN61-02536A	BRACKET-HINGE SWIVEL;46M7 EO,HG,T3.0	1	S.N.A	
...3		BN61-03006A	BRACKET-STAND BOTTOM;TULIP46,SECC,T3.0	1	S.N.A	
...3	T0920	BN61-03889A	GUIDE-STAND;GUIDE-STAND 46 L530,PC,BLK,G	1	S.N.A	
...4		BN81-00204H	RESIN;Trirex,3025G20 BK,ABS+PC G/F 20%,4	0.407	S.N.A	
...3	CCM1	BN63-02183F	COVER-SHEET;Rhcm,PE Vinyl,T0.05,900mm,20	0.45	S.N.A	
...3	T0004	BN63-03137A	COVER-STAND BASE;TULIP46,ABS+PMMA,-,-,-,	1	S.N.A	
...4		BN81-00204P	RESIN-HIGH GLOSS;SF-0505,K21294,ABS HB P	0.792	S.N.A	
...3	T0132	BN73-00052A	RUBBER FOOT;ARES 17,CR Rubber Gray,T1.5	4	S.N.A	
					S.A	
0.1	M0002	BN90-01608B	ASSY COVER REAR;52L530,EO(iDTV)	1	S.N.A	
..2	T0081	6002-001294	SCREW-TAPPING;BH,+,,M4,L16,ZPC(BLK)	14	S.A	
..2	T0081	6002-001294	SCREW-TAPPING;BH,+,,M4,L16,ZPC(BLK)	2	S.A	
..2	C/REAR+H/W	6011-001610	BOLT-ETC;M8,L18,ZPC(BLK),SWRCH18A,WSP,PH	4	S.N.A	
..2	M0013	BN96-06951B	ASSY COVER P-REAR;52L530,EO(iDTV),HIPS,H	1	S.A	
...3	M0006	BN63-04379A	COVER-REAR;52L550,P3,EO(iDTV),HIPS,-,-,-	1	S.N.A	
...4		BN81-00199H	RESIN;HIPS HB,BK500,HF-1690H,K2901	5.475	S.N.A	
...3	T0071	BN64-00806C	INLAY-TERMINAL;46L550P3,EO(iDTV),PS SHEE	1	S.N.A	
...3	T0064	BN65-00002A	CLAMPER CORE;BORDEAUX,LDPE,-,-,BLK,-	1	S.N.A	

5. Exploded View & Part List

Level	Location No.	Code No.	Description & Specification	Q'ty	SA/SNA	Remark
					S.A	
0.1	M0017	BN91-02016D	ASSY CHASSIS;LE52A556P1FX/XC,AMLCD	1	S.N.A	
..2	M0014	BN94-01656D	ASSY PCB MAIN-AMLCD;LE52A556P1FX,N46A	1	S.A	
...3	T0245	0202-001608	SOLDER-WIRE FLUX;LFC7-107,D0.8,99.3Sn/0.	1.25	S.N.A	
...3	JA3114_NSI	3701-001388	CONNECTOR-HDMI;20P,Phosphor Bronze,ANGLE	1	S.A	
...3	JA3208_OP	3701-001480	CONNECTOR-DSUB;15P,3R,FEMAIL,STAMPED PIN	1	S.A	
...3	CN906	3707-001081	CONNECTOR-OPTICAL;STRAIGHT,SPDIF	1	S.A	
...3	JA7201	3709-001508	CONNECTOR-CARD SLOT;68P,1.27mm,PIN,PCMCIA	1	S.A	
...3	CN330	3711-000058	HEADER-BOARD TO CABLE;BOX,4P,1R,2.5MM,AN	1	S.A	
...3	CN330	3711-004379	HEADER-BOARD TO CABLE;BOX,4P,1R,2mm,STRA	1	S.A	
...3	CN330	3711-004379	HEADER-BOARD TO CABLE;BOX,4P,1R,2mm,STRA	1	S.A	
...3	CN330	3711-004484	HEADER-BOARD TO CABLE;BOX,5P,1R,2mm,STRA	1	S.A	
...3	CN330	3711-004531	HEADER-BOARD TO CABLE;BOX,10P,1R,2mm,ANG	1	S.A	
...3	CN330	3711-004712	HEADER-BOARD TO CABLE;BOX,9P,1R,2mm,STRA	1	S.A	
...3	CN330	3711-005842	HEADER-BOARD TO CABLE;BOX,24P,2R,2MM,STR	1	S.A	
...3	JA330	3722-000143	JACK-PHONE;1P(VER),AG,BLK,ANGLE	1	S.A	
...3	JA330	3722-001061	JACK-PHONE;1P,3.6PI,AG,BLK,N	1	S.A	
...3	JA330	3722-001061	JACK-PHONE;1P,3.6PI,AG,BLK,N	1	S.A	
...3	CN3108_NSI	3722-002275	JACK-DIN;4P,-,SN,BLK,-	1	S.A	
...3	CN3111_NSI	3722-002546	JACK-USB;4P/1C,AU,BLK,ANGLE,A type	1	S.N.A	
...3	JA3202	3722-002681	JACK-SCART;42P,SN,BLK	1	S.A	
...3	JA333	3722-002690	JACK-PIN;3P,Ni,RED/WHT/YEL,ANGLE	1	S.A	
...3	JA333	3722-002691	JACK-PIN;2P,Ni,WHT/RED,STRAIGHT	1	S.A	
...3	JA333	3722-002691	JACK-PIN;2P,Ni,WHT/RED,STRAIGHT	1	S.A	
...3	JA333	3722-002691	JACK-PIN;2P,Ni,WHT/RED,STRAIGHT	1	S.A	
...3	JA333	3722-002703	JACK-PIN;3P,Ni,GRN/BLU/RED,STRAIGHT	1	S.A	
...3	CIS3	BN40-00120A	TUNER;TDHG6-K10A,TDHG6-K10A,DVB-T,181CH,	1	S.A	
...3	T0603	BN63-04510A	SHIELD-PCB MAIN;PEARL32, EO,TOP,SPTE,T0.	1	S.N.A	
...3	T0603	BN63-04512A	SHIELD-PCB MAIN;PEARL32,EO,BOT,SPTE T0.3	1	S.N.A	
...3	HDCP	BN97-00688B	ASSY HDCP;'MT8202 IC HDCP Key'	1	S.N.A	
....4		BN46-00018A	KEY CODE-CERTIFICATE;(HDCP KEY)PPM42M5S,	1	S.N.A	
...3	T0174	BN97-02033D	ASSY SMD;LE52A556P1F/*,N46A	1	S.N.A	
....4	SUB05	0202-001477	SOLDER-CREAM;LST309-M,-,D20-45##,96.5Sn/	2.999	S.N.A	
....4	D1104	0401-001056	DIODE-SWITCHING;MMBD4148SE,100V,200mA,SO	1	S.A	
....4	D3101	0401-001056	DIODE-SWITCHING;MMBD4148SE,100V,200mA,SO	1	S.A	
....4	D3102	0401-001056	DIODE-SWITCHING;MMBD4148SE,100V,200mA,SO	1	S.A	
....4	D3103	0401-001056	DIODE-SWITCHING;MMBD4148SE,100V,200mA,SO	1	S.A	
....4	D3104	0401-001056	DIODE-SWITCHING;MMBD4148SE,100V,200mA,SO	1	S.A	
....4	D3105	0401-001056	DIODE-SWITCHING;MMBD4148SE,100V,200mA,SO	1	S.A	
....4	D3106	0401-001056	DIODE-SWITCHING;MMBD4148SE,100V,200mA,SO	1	S.A	
....4	D3108	0401-001056	DIODE-SWITCHING;MMBD4148SE,100V,200mA,SO	1	S.A	
....4	D3109	0401-001056	DIODE-SWITCHING;MMBD4148SE,100V,200mA,SO	1	S.A	
....4	D3144	0401-001056	DIODE-SWITCHING;MMBD4148SE,100V,200mA,SO	1	S.A	
....4	D3146	0401-001056	DIODE-SWITCHING;MMBD4148SE,100V,200mA,SO	1	S.A	
....4	D3147	0401-001056	DIODE-SWITCHING;MMBD4148SE,100V,200mA,SO	1	S.A	
....4	D3149	0401-001056	DIODE-SWITCHING;MMBD4148SE,100V,200mA,SO	1	S.A	
....4	D3150	0401-001056	DIODE-SWITCHING;MMBD4148SE,100V,200mA,SO	1	S.A	
....4	D3151	0401-001056	DIODE-SWITCHING;MMBD4148SE,100V,200mA,SO	1	S.A	
....4	D3152	0401-001056	DIODE-SWITCHING;MMBD4148SE,100V,200mA,SO	1	S.A	
....4	D3153	0401-001056	DIODE-SWITCHING;MMBD4148SE,100V,200mA,SO	1	S.A	
....4	D3154	0401-001056	DIODE-SWITCHING;MMBD4148SE,100V,200mA,SO	1	S.A	



Level	Location No.	Code No.	Description & Specification	Q'ty	SA/SNA	Remark
...4	D3155	0401-001056	DIODE-SWITCHING;MMBD4148SE,100V,200mA,SO	1	S.A	
...4	D3158	0401-001056	DIODE-SWITCHING;MMBD4148SE,100V,200mA,SO	1	S.A	
...4	D3159	0401-001056	DIODE-SWITCHING;MMBD4148SE,100V,200mA,SO	1	S.A	
...4	D3161	0401-001056	DIODE-SWITCHING;MMBD4148SE,100V,200mA,SO	1	S.A	
...4	D3162	0401-001056	DIODE-SWITCHING;MMBD4148SE,100V,200mA,SO	1	S.A	
...4	D3163	0401-001056	DIODE-SWITCHING;MMBD4148SE,100V,200mA,SO	1	S.A	
...4	D3165	0401-001056	DIODE-SWITCHING;MMBD4148SE,100V,200mA,SO	1	S.A	
...4	D3166	0401-001056	DIODE-SWITCHING;MMBD4148SE,100V,200mA,SO	1	S.A	
...4	D3168	0401-001056	DIODE-SWITCHING;MMBD4148SE,100V,200mA,SO	1	S.A	
...4	D3170	0401-001056	DIODE-SWITCHING;MMBD4148SE,100V,200mA,SO	1	S.A	
...4	D3173	0401-001056	DIODE-SWITCHING;MMBD4148SE,100V,200mA,SO	1	S.A	
...4	D3195	0401-001056	DIODE-SWITCHING;MMBD4148SE,100V,200mA,SO	1	S.A	
...4	D3196	0401-001056	DIODE-SWITCHING;MMBD4148SE,100V,200mA,SO	1	S.A	
...4	D3197	0401-001056	DIODE-SWITCHING;MMBD4148SE,100V,200mA,SO	1	S.A	
...4	D3198	0401-001056	DIODE-SWITCHING;MMBD4148SE,100V,200mA,SO	1	S.A	
...4	D3200	0401-001056	DIODE-SWITCHING;MMBD4148SE,100V,200mA,SO	1	S.A	
...4	D3201	0401-001056	DIODE-SWITCHING;MMBD4148SE,100V,200mA,SO	1	S.A	
...4	D3202	0401-001056	DIODE-SWITCHING;MMBD4148SE,100V,200mA,SO	1	S.A	
...4	D3203	0401-001056	DIODE-SWITCHING;MMBD4148SE,100V,200mA,SO	1	S.A	
...4	D3204	0401-001056	DIODE-SWITCHING;MMBD4148SE,100V,200mA,SO	1	S.A	
...4	D3206	0401-001056	DIODE-SWITCHING;MMBD4148SE,100V,200mA,SO	1	S.A	
...4	D3207	0401-001056	DIODE-SWITCHING;MMBD4148SE,100V,200mA,SO	1	S.A	
...4	D3254	0401-001056	DIODE-SWITCHING;MMBD4148SE,100V,200mA,SO	1	S.A	
...4	D3255	0401-001056	DIODE-SWITCHING;MMBD4148SE,100V,200mA,SO	1	S.A	
...4	D3256	0401-001056	DIODE-SWITCHING;MMBD4148SE,100V,200mA,SO	1	S.A	
...4	D5501_CEC	0401-001056	DIODE-SWITCHING;MMBD4148SE,100V,200mA,SO	1	S.A	
...4	D2105	0401-001099	DIODE-SWITCHING;1N4148WS,75V,150mA,SOD-3	1	S.A	
...4	D2106	0401-001099	DIODE-SWITCHING;1N4148WS,75V,150mA,SOD-3	1	S.A	
...4	D2201	0401-001099	DIODE-SWITCHING;1N4148WS,75V,150mA,SOD-3	1	S.A	
...4	D3118	0401-001099	DIODE-SWITCHING;1N4148WS,75V,150mA,SOD-3	1	S.A	
...4	D3120	0401-001099	DIODE-SWITCHING;1N4148WS,75V,150mA,SOD-3	1	S.A	
...4	D3123	0401-001099	DIODE-SWITCHING;1N4148WS,75V,150mA,SOD-3	1	S.A	
...4	D5104	0401-001099	DIODE-SWITCHING;1N4148WS,75V,150mA,SOD-3	1	S.A	
...4	D5105	0401-001099	DIODE-SWITCHING;1N4148WS,75V,150mA,SOD-3	1	S.A	
...4	D5201	0401-001099	DIODE-SWITCHING;1N4148WS,75V,150mA,SOD-3	1	S.A	
...4	D0254	0402-000553	DIODE-SCHOTTKY;SS24/B240,40V,2000mA,DO-2	1	S.A	
...4	D0254	0402-000553	DIODE-SCHOTTKY;SS24/B240,40V,2000mA,DO-2	1	S.A	
...4	D1211_NCMO	0402-001098	DIODE-RECTIFIER;SK34,40V,3A,SMC,TP	1	S.A	
...4	D2107	0403-000002	DIODE-ZENER;VLZ5V6B,5.45/5.73V,500mW,SOD	1	S.A	
...4	D3115	0403-000002	DIODE-ZENER;VLZ5V6B,5.45/5.73V,500mW,SOD	1	S.A	
...4	D3125	0403-000002	DIODE-ZENER;VLZ5V6B,5.45/5.73V,500mW,SOD	1	S.A	
...4	D3126	0403-000002	DIODE-ZENER;VLZ5V6B,5.45/5.73V,500mW,SOD	1	S.A	
...4	D3129	0403-000002	DIODE-ZENER;VLZ5V6B,5.45/5.73V,500mW,SOD	1	S.A	
...4	D3132	0403-000002	DIODE-ZENER;VLZ5V6B,5.45/5.73V,500mW,SOD	1	S.A	
...4	D3134	0403-000002	DIODE-ZENER;VLZ5V6B,5.45/5.73V,500mW,SOD	1	S.A	
...4	D3137	0403-000002	DIODE-ZENER;VLZ5V6B,5.45/5.73V,500mW,SOD	1	S.A	
...4	D3148	0403-000002	DIODE-ZENER;VLZ5V6B,5.45/5.73V,500mW,SOD	1	S.A	
...4	D3186_NSID	0403-000002	DIODE-ZENER;VLZ5V6B,5.45/5.73V,500mW,SOD	1	S.A	
...4	D3205	0403-000002	DIODE-ZENER;VLZ5V6B,5.45/5.73V,500mW,SOD	1	S.A	
...4	D5103	0403-000002	DIODE-ZENER;VLZ5V6B,5.45/5.73V,500mW,SOD	1	S.A	
...4	D5111	0403-000258	DIODE-ZENER;BZX84C5V6,5.2-6V,225mW,SOT-2	1	S.A	

5. Exploded View & Part List

Level	Location No.	Code No.	Description & Specification	Q'ty	SA/SNA	Remark
...4	D5101	0403-000584	DIODE-ZENER;VLZ3V6B,3.6/3.845V,500mW,SOD	1	S.N.A	
...4	D3141	0403-000771	DIODE-ZENER;VLZ6V2B,5.96-6.27V,500mW,SOD	1	S.A	
...4	D3156	0403-000771	DIODE-ZENER;VLZ6V2B,5.96-6.27V,500mW,SOD	1	S.A	
...4	D3191	0403-000771	DIODE-ZENER;VLZ6V2B,5.96-6.27V,500mW,SOD	1	S.A	
...4	D3199	0403-001052	DIODE-ZENER;RD8.2MB,7.7-8.7V,200mW,SOT-2	1	S.A	
...4	D1111	0403-001425	DIODE-ZENER;BZX84C33,31-35V,350mW,SOT-23	1	S.A	
...4	D0254	0404-001404	DIODE-SCHOTTKY;BAT721C,40V,200mA,SOT-23,	1	S.A	
...4	D0254	0404-001404	DIODE-SCHOTTKY;BAT721C,40V,200mA,SOT-23,	1	S.A	
...4	D0254	0404-001404	DIODE-SCHOTTKY;BAT721C,40V,200mA,SOT-23,	1	S.A	
...4	D3119	0406-001172	DIODE-TVS;CDS3C30GTH,48/-/50V,SMD	1	S.A	
...4	D3122	0406-001172	DIODE-TVS;CDS3C30GTH,48/-/50V,SMD	1	S.A	
...4	D3138	0406-001172	DIODE-TVS;CDS3C30GTH,48/-/50V,SMD	1	S.A	
...4	D3139	0406-001172	DIODE-TVS;CDS3C30GTH,48/-/50V,SMD	1	S.A	
...4	D3179	0406-001172	DIODE-TVS;CDS3C30GTH,48/-/50V,SMD	1	S.A	
...4	D3180	0406-001172	DIODE-TVS;CDS3C30GTH,48/-/50V,SMD	1	S.A	
...4	D3182_NSID	0406-001172	DIODE-TVS;CDS3C30GTH,48/-/50V,SMD	1	S.A	
...4	D3183_NSID	0406-001172	DIODE-TVS;CDS3C30GTH,48/-/50V,SMD	1	S.A	
...4	D3184_NSID	0406-001172	DIODE-TVS;CDS3C30GTH,48/-/50V,SMD	1	S.A	
...4	D3185_NSID	0406-001172	DIODE-TVS;CDS3C30GTH,48/-/50V,SMD	1	S.A	
...4	D3188_NSID	0406-001172	DIODE-TVS;CDS3C30GTH,48/-/50V,SMD	1	S.A	
...4	D3189_NSID	0406-001172	DIODE-TVS;CDS3C30GTH,48/-/50V,SMD	1	S.A	
...4	D3190_NSID	0406-001172	DIODE-TVS;CDS3C30GTH,48/-/50V,SMD	1	S.A	
...4	D3251	0406-001172	DIODE-TVS;CDS3C30GTH,48/-/50V,SMD	1	S.A	
...4	D3252	0406-001172	DIODE-TVS;CDS3C30GTH,48/-/50V,SMD	1	S.A	
...4	D3208	0406-001181	DIODE-TVS;NUP4201MR6,6/-/50V,500W,TSOP-6	1	S.A	
...4	D2104	0407-000123	DIODE-ARRAY;DAN202K,80V,100mA,CA2-3,SOT-	1	S.A	
...4	D2108	0407-000123	DIODE-ARRAY;DAN202K,80V,100mA,CA2-3,SOT-	1	S.A	
...4	D2110	0407-000123	DIODE-ARRAY;DAN202K,80V,100mA,CA2-3,SOT-	1	S.A	
...4	D7201	0407-000123	DIODE-ARRAY;DAN202K,80V,100mA,CA2-3,SOT-	1	S.A	
...4	D7202	0407-000123	DIODE-ARRAY;DAN202K,80V,100mA,CA2-3,SOT-	1	S.A	
...4	D7203	0407-000123	DIODE-ARRAY;DAN202K,80V,100mA,CA2-3,SOT-	1	S.A	
...4	D7204	0407-000123	DIODE-ARRAY;DAN202K,80V,100mA,CA2-3,SOT-	1	S.A	
...4	D7205	0407-000123	DIODE-ARRAY;DAN202K,80V,100mA,CA2-3,SOT-	1	S.A	
...4	D7206	0407-000123	DIODE-ARRAY;DAN202K,80V,100mA,CA2-3,SOT-	1	S.A	
...4	Q7001	0501-000002	TR-SMALL SIGNAL;KSA812,PNP,150MW,SOT-23,	1	S.A	
...4	Q7002	0501-000002	TR-SMALL SIGNAL;KSA812,PNP,150MW,SOT-23,	1	S.A	
...4	Q5201	0501-000434	TR-SMALL SIGNAL;KTC3875S-GR,NPN,150mW,SO	1	S.A	
...4	Q7402	0501-000434	TR-SMALL SIGNAL;KTC3875S-GR,NPN,150mW,SO	1	S.A	
...4	Q1104	0501-000445	TR-SMALL SIGNAL;KTC3875S-Y,NPN,150mW,SOT	1	S.A	
...4	Q1111	0501-000445	TR-SMALL SIGNAL;KTC3875S-Y,NPN,150mW,SOT	1	S.A	
...4	Q2102	0501-000445	TR-SMALL SIGNAL;KTC3875S-Y,NPN,150mW,SOT	1	S.A	
...4	Q3101	0501-000445	TR-SMALL SIGNAL;KTC3875S-Y,NPN,150mW,SOT	1	S.A	
...4	Q3102	0501-000445	TR-SMALL SIGNAL;KTC3875S-Y,NPN,150mW,SOT	1	S.A	
...4	Q3106	0501-000445	TR-SMALL SIGNAL;KTC3875S-Y,NPN,150mW,SOT	1	S.A	
...4	Q3107	0501-000445	TR-SMALL SIGNAL;KTC3875S-Y,NPN,150mW,SOT	1	S.A	
...4	Q3111	0501-000445	TR-SMALL SIGNAL;KTC3875S-Y,NPN,150mW,SOT	1	S.A	
...4	Q3112	0501-000445	TR-SMALL SIGNAL;KTC3875S-Y,NPN,150mW,SOT	1	S.A	
...4	Q3113	0501-000445	TR-SMALL SIGNAL;KTC3875S-Y,NPN,150mW,SOT	1	S.A	
...4	Q3114	0501-000445	TR-SMALL SIGNAL;KTC3875S-Y,NPN,150mW,SOT	1	S.A	
...4	Q3151_NPN	0501-000445	TR-SMALL SIGNAL;KTC3875S-Y,NPN,150mW,SOT	1	S.A	
...4	Q3152_NPN	0501-000445	TR-SMALL SIGNAL;KTC3875S-Y,NPN,150mW,SOT	1	S.A	

Level	Location No.	Code No.	Description & Specification	Q'ty	SA/SNA	Remark
...4	Q5104	0501-000445	TR-SMALL SIGNAL;KTC3875S-Y,NPN,150mW,SOT	1	S.A	
...4	Q5108	0501-000445	TR-SMALL SIGNAL;KTC3875S-Y,NPN,150mW,SOT	1	S.A	
...4	Q5109	0501-000445	TR-SMALL SIGNAL;KTC3875S-Y,NPN,150mW,SOT	1	S.A	
...4	Q5202	0501-000445	TR-SMALL SIGNAL;KTC3875S-Y,NPN,150mW,SOT	1	S.A	
...4	Q6101_DIM	0501-000445	TR-SMALL SIGNAL;KTC3875S-Y,NPN,150mW,SOT	1	S.A	
...4	Q2101	0501-000669	TR-SMALL SIGNAL;KTA1505Y,PNP,150mW,SOT-2	1	S.A	
...4	Q2103	0501-000669	TR-SMALL SIGNAL;KTA1505Y,PNP,150mW,SOT-2	1	S.A	
...4	Q3104	0501-000669	TR-SMALL SIGNAL;KTA1505Y,PNP,150mW,SOT-2	1	S.A	
...4	Q3109	0501-000669	TR-SMALL SIGNAL;KTA1505Y,PNP,150mW,SOT-2	1	S.A	
...4	Q1101_L	0501-002080	TR-SMALL SIGNAL;2SC2412K,NPN,200mW,SC-59	1	S.A	
...4	Q1102_50HZ	0501-002080	TR-SMALL SIGNAL;2SC2412K,NPN,200mW,SC-59	1	S.A	
...4	Q3103	0501-002080	TR-SMALL SIGNAL;2SC2412K,NPN,200mW,SC-59	1	S.A	
...4	Q3105	0501-002080	TR-SMALL SIGNAL;2SC2412K,NPN,200mW,SC-59	1	S.A	
...4	Q3108	0501-002080	TR-SMALL SIGNAL;2SC2412K,NPN,200mW,SC-59	1	S.A	
...4	Q3110	0501-002080	TR-SMALL SIGNAL;2SC2412K,NPN,200mW,SC-59	1	S.A	
...4	Q3153_NPN	0501-002080	TR-SMALL SIGNAL;2SC2412K,NPN,200mW,SC-59	1	S.A	
...4	Q3116	0501-002184	TR-SMALL SIGNAL;KTD1304,NPN,200mW,SOT-23	1	S.A	
...4	Q3117	0501-002184	TR-SMALL SIGNAL;KTD1304,NPN,200mW,SOT-23	1	S.A	
...4	Q409	0505-000110	FET-SILICON;2N7002,N,60V,115mA,7.5ohm,0.	1	S.A	
...4	Q409	0505-000110	FET-SILICON;2N7002,N,60V,115mA,7.5ohm,0.	1	S.A	
...4	Q409	0505-000110	FET-SILICON;2N7002,N,60V,115mA,7.5ohm,0.	1	S.A	
...4	Q409	0505-000110	FET-SILICON;2N7002,N,60V,115mA,7.5ohm,0.	1	S.A	
...4	Q409	0505-000110	FET-SILICON;2N7002,N,60V,115mA,7.5ohm,0.	1	S.A	
...4	Q409	0505-001170	FET-SILICON;SI9933ADY-T1,P,-20V,3.4A,0.0	1	S.A	
...4	IC104	0801-002095	IC-CMOS LOGIC;74LCX245,TRANSCEIVER,TSSOP	1	S.A	
...4	IC104	0801-002172	IC-CMOS LOGIC;74LCX16244,BUFFER/LINE DRI	1	S.A	
...4	IC104	0801-002172	IC-CMOS LOGIC;74LCX16244,BUFFER/LINE DRI	1	S.A	
...4	IC104	0801-002172	IC-CMOS LOGIC;74LCX16244,BUFFER/LINE DRI	1	S.A	
...4	IC104	0801-002432	IC-CMOS LOGIC;74LVC244,8BIT BUFFER/DRIVE	1	S.N.A	
...4	IC104	0801-002630	IC-CMOS LOGIC;74AHCT1G08,2-INPUT AND GAT	1	S.A	
...4	IC104	0801-003239	IC-CMOS LOGIC;74LVC1G00,2-input NAND Gat	1	S.A	
...4	IC104	0801-003239	IC-CMOS LOGIC;74LVC1G00,2-input NAND Gat	1	S.A	
...4	IC5110	1001-000164	IC-ANALOG MULTIPLEX;74HC4052,CMOS,SOP,16	1	S.A	
...4	IC106	1001-001513	IC-VIDEO SWITCH;TMDS351PAG,TQFP,64P,9x9m	1	S.A	
...4	IC5108	1001-001523	IC-ANALOG MULTIPLEX;74HC4052PW,TSSOP,16P	1	S.A	
...4	IC107	1002-001482	IC-D/A CONVERTER;WM8521H9GED/R,16bit,SOI	1	S.A	
...4	IC2102	1002-001509	IC-A/D&D/A CONVERTER;MT8291,24bit,LQFP,4	1	S.A	
...4	IC110	1006-001076	IC-DRIVER/RECEIVER;MAX232ECWE+T,SOP,16P,	1	S.A	
...4	IC112	1103-000129	IC-EEPROM;24C02,2Kbit,256x8Bit,SOP,8P,5x	1	S.A	
...4	IC112	1103-000129	IC-EEPROM;24C02,2Kbit,256x8Bit,SOP,8P,5x	1	S.A	
...4	IC112	1103-000129	IC-EEPROM;24C02,2Kbit,256x8Bit,SOP,8P,5x	1	S.A	
...4	IC112	1103-000129	IC-EEPROM;24C02,2Kbit,256x8Bit,SOP,8P,5x	1	S.A	
...4	IC112	1103-001385	IC-EEPROM;AT24C256,256Kbit,32Kx8,SOP,8P,	1	S.A	
...4	IC112	1103-001410	IC-EEPROM;S-24CS08AFJ-TB-1GE,8Kbit,1Kx8,	1	S.A	
...4	IC113	1105-001712	IC-DRAM;HYB25D256163CE,DDR,256Mbit,16Mx1	1	S.A	
...4	IC5104	1105-001862	IC-DDR2 SDRAM;K4T56163QI-ZCF7,DDR2 SDRAM	1	S.A	
...4	IC5106	1105-001862	IC-DDR2 SDRAM;K4T56163QI-ZCF7,DDR2 SDRAM	1	S.A	
...4	DU410	1201-000166	IC-OP AMP;LM358,SOP,ST,8P,150MIL,DUAL,10	1	S.A	
...4	T0124	1201-002677	IC-POWER AMP;NTP3100,QFN56,56P,8x8mm,DUA	1	S.A	
...4	T0087	1203-001815	IC-POSI.FIXED REG.;78M09,TO-252,3P,-,PLA	1	S.A	
...4	T0087	1203-002842	IC-POSI.FIXED REG.;AP1117D-33A,TO-252,3P	1	S.A	

5. Exploded View & Part List

Level	Location No.	Code No.	Description & Specification	Q'ty	SA/SNA	Remark
...4	T0087	1203-002974	IC-POSI.FIXED REG.;AP1117D-25A,TO-252,3P	1	S.A	
...4	IC012	1203-002995	IC-POSI.ADJUST REG.;AP1117D-A,TO-252,3P,	1	S.A	
...4	IC012	1203-002995	IC-POSI.ADJUST REG.;AP1117D-A,TO-252,3P,	1	S.A	
...4	IC3104	1203-003394	IC-POWER SUPERVISOR;MIC2544-1YM,SOP,8P,4	1	S.A	
...4	IC7206	1203-003394	IC-POWER SUPERVISOR;MIC2544-1YM,SOP,8P,4	1	S.A	
...4	T0087	1203-003696	IC-POSI.FIXED REG.;NCP1117DT18T5G,DPAK,3	1	S.A	
...4	T0087	1203-003696	IC-POSI.FIXED REG.;NCP1117DT18T5G,DPAK,3	1	S.A	
...4	IC5102	1203-004363	IC-VOL. DETECTOR;RT9818C-29PV,SOT-23,3P,	1	S.A	
...4	IC2103	1203-004364	IC-VOL. DETECTOR;RT9818C-42PV,SOT-23,3P,	1	S.A	
...4	IC7402	1203-004364	IC-VOL. DETECTOR;RT9818C-42PV,SOT-23,3P,	1	S.A	
...4	T0087	1203-004816	IC-POSI.FIXED REG.;KIA78D015F,DPAK,3P,6.	1	S.A	
...4	T0170	1203-004868	IC-SWITCH VOL. REG.;MP2363,SOIC,8P,4.9x3	1	S.A	
...4	T0170	1203-004868	IC-SWITCH VOL. REG.;MP2363,SOIC,8P,4.9x3	1	S.A	
...4	IC012	1203-005218	IC-POSI.ADJUST REG.;AP1086DL,TO-252,3P,6	1	S.A	
...4	IC118	1204-002779	IC-VIDEO PROCESS;S4LF122X01,PBGA,208P,17	1	S.A	
...4	IC7001	1204-002861	IC-DECODER;UPD61211GM-104-GAA-A,QFP,216P	1	S.A	
...4	IC118	1204-002869	IC-VIDEO PROCESS;MT8226FJ,BGA,569P,31x31	1	S.A	
...4	D3107	1405-001185	VARISTOR;24Vdc,1.6x0.8x0.36mm,TP	1	S.A	
...4	D3110	1405-001185	VARISTOR;24Vdc,1.6x0.8x0.36mm,TP	1	S.A	
...4	D3113	1405-001185	VARISTOR;24Vdc,1.6x0.8x0.36mm,TP	1	S.A	
...4	D5502	1405-001185	VARISTOR;24Vdc,1.6x0.8x0.36mm,TP	1	S.A	
...4	R110	2007-000029	R-CHIP;0ohm,5%,1/8W,TP,2012	1	S.A	
...4	R110	2007-000029	R-CHIP;0ohm,5%,1/8W,TP,2012	1	S.A	
...4	R110	2007-000040	R-CHIP;150ohm,1%,1/10W,TP,1608	1	S.A	
...4	R110	2007-000052	R-CHIP;10Kohm,1%,1/10W,TP,1608	1	S.A	
...4	R110	2007-000052	R-CHIP;10Kohm,1%,1/10W,TP,1608	1	S.A	
...4	R110	2007-000052	R-CHIP;10Kohm,1%,1/10W,TP,1608	1	S.A	
...4	R110	2007-000052	R-CHIP;10Kohm,1%,1/10W,TP,1608	1	S.A	
...4	R110	2007-000052	R-CHIP;10Kohm,1%,1/10W,TP,1608	1	S.A	
...4	R110	2007-000052	R-CHIP;10Kohm,1%,1/10W,TP,1608	1	S.A	
...4	R110	2007-000052	R-CHIP;10Kohm,1%,1/10W,TP,1608	1	S.A	
...4	R110	2007-000052	R-CHIP;10Kohm,1%,1/10W,TP,1608	1	S.A	
...4	R110	2007-000052	R-CHIP;10Kohm,1%,1/10W,TP,1608	1	S.A	
...4	R110	2007-000052	R-CHIP;10Kohm,1%,1/10W,TP,1608	1	S.A	
...4	R110	2007-000052	R-CHIP;10Kohm,1%,1/10W,TP,1608	1	S.A	
...4	R110	2007-000052	R-CHIP;10Kohm,1%,1/10W,TP,1608	1	S.A	
...4	R110	2007-000052	R-CHIP;10Kohm,1%,1/10W,TP,1608	1	S.A	
...4	R110	2007-000052	R-CHIP;10Kohm,1%,1/10W,TP,1608	1	S.A	
...4	R110	2007-000052	R-CHIP;10Kohm,1%,1/10W,TP,1608	1	S.A	
...4	R110	2007-000067	R-CHIP;15Kohm,1%,1/10W,TP,1608	1	S.A	
...4	R110	2007-000070	R-CHIP;0ohm,5%,1/10W,TP,1608	1	S.A	
...4	R110	2007-000070	R-CHIP;0ohm,5%,1/10W,TP,1608	1	S.A	
...4	R110	2007-000070	R-CHIP;0ohm,5%,1/10W,TP,1608	1	S.A	
...4	R110	2007-000070	R-CHIP;0ohm,5%,1/10W,TP,1608	1	S.A	
...4	R110	2007-000070	R-CHIP;0ohm,5%,1/10W,TP,1608	1	S.A	
...4	R110	2007-000074	R-CHIP;100ohm,5%,1/10W,TP,1608	1	S.A	
...4	R110	2007-000074	R-CHIP;100ohm,5%,1/10W,TP,1608	1	S.A	
...4	R110	2007-000074	R-CHIP;100ohm,5%,1/10W,TP,1608	1	S.A	
...4	R110	2007-000074	R-CHIP;100ohm,5%,1/10W,TP,1608	1	S.A	
...4	R110	2007-000074	R-CHIP;100ohm,5%,1/10W,TP,1608	1	S.A	
...4	R110	2007-000074	R-CHIP;100ohm,5%,1/10W,TP,1608	1	S.A	
...4	R110	2007-000074	R-CHIP;100ohm,5%,1/10W,TP,1608	1	S.A	
...4	R110	2007-000078	R-CHIP;1Kohm,5%,1/10W,TP,1608	1	S.A	

















5. Exploded View & Part List

Level	Location No.	Code No.	Description & Specification	Q'ty	SA/SNA	Remark
...4	R110	2007-000174	R-CHIP;47ohm,5%,1/16W,TP,1005	1	S.N.A	
...4	R110	2007-000174	R-CHIP;47ohm,5%,1/16W,TP,1005	1	S.N.A	
...4	R110	2007-000174	R-CHIP;47ohm,5%,1/16W,TP,1005	1	S.N.A	
...4	R110	2007-000174	R-CHIP;47ohm,5%,1/16W,TP,1005	1	S.N.A	
...4	R110	2007-000174	R-CHIP;47ohm,5%,1/16W,TP,1005	1	S.N.A	
...4	R110	2007-000174	R-CHIP;47ohm,5%,1/16W,TP,1005	1	S.N.A	
...4	R110	2007-000174	R-CHIP;47ohm,5%,1/16W,TP,1005	1	S.N.A	
...4	R110	2007-000174	R-CHIP;47ohm,5%,1/16W,TP,1005	1	S.N.A	
...4	R110	2007-000174	R-CHIP;47ohm,5%,1/16W,TP,1005	1	S.N.A	
...4	R110	2007-000174	R-CHIP;47ohm,5%,1/16W,TP,1005	1	S.N.A	
...4	R110	2007-000174	R-CHIP;47ohm,5%,1/16W,TP,1005	1	S.N.A	
...4	R110	2007-000174	R-CHIP;47ohm,5%,1/16W,TP,1005	1	S.N.A	
...4	R110	2007-000174	R-CHIP;47ohm,5%,1/16W,TP,1005	1	S.N.A	
...4	R110	2007-000174	R-CHIP;47ohm,5%,1/16W,TP,1005	1	S.N.A	
...4	R110	2007-000174	R-CHIP;47ohm,5%,1/16W,TP,1005	1	S.N.A	
...4	R110	2007-000174	R-CHIP;47ohm,5%,1/16W,TP,1005	1	S.N.A	
...4	R110	2007-000174	R-CHIP;47ohm,5%,1/16W,TP,1005	1	S.N.A	
...4	R110	2007-000242	R-CHIP;1.5KOHM,5%,1/16W,TP,1005	1	S.N.A	
...4	R110	2007-000416	R-CHIP;15ohm,5%,1/10W,TP,1608	1	S.A	
...4	R110	2007-000458	R-CHIP;18Kohm,5%,1/10W,TP,1608	1	S.A	
...4	R110	2007-000458	R-CHIP;18Kohm,5%,1/10W,TP,1608	1	S.A	
...4	R110	2007-000539	R-CHIP;200ohm,5%,1/10W,TP,1608	1	S.A	
...4	R110	2007-000539	R-CHIP;200ohm,5%,1/10W,TP,1608	1	S.A	
...4	R110	2007-000539	R-CHIP;200ohm,5%,1/10W,TP,1608	1	S.A	
...4	R110	2007-000539	R-CHIP;200ohm,5%,1/10W,TP,1608	1	S.A	
...4	R110	2007-000570	R-CHIP;220OHM,1%,1/10W,TP,1608	1	S.A	
...4	R110	2007-000583	R-CHIP;22Kohm,1%,1/10W,TP,1608	1	S.A	
...4	R110	2007-000591	R-CHIP;22ohm,1%,1/10W,TP,1608	1	S.A	
...4	R110	2007-000606	R-CHIP;240ohm,1%,1/10W,TP,1608	1	S.A	
...4	R110	2007-000608	R-CHIP;240ohm,5%,1/10W,TP,1608	1	S.A	
...4	R110	2007-000608	R-CHIP;240ohm,5%,1/10W,TP,1608	1	S.A	
...4	R110	2007-000763	R-CHIP;330ohm,1%,1/10W,TP,1608	1	S.A	
...4	R110	2007-000775	R-CHIP;33KOHM,5%,1/16W,TP,1005	1	S.N.A	
...4	R110	2007-000775	R-CHIP;33KOHM,5%,1/16W,TP,1005	1	S.N.A	
...4	R110	2007-000775	R-CHIP;33KOHM,5%,1/16W,TP,1005	1	S.N.A	
...4	R110	2007-000775	R-CHIP;33KOHM,5%,1/16W,TP,1005	1	S.N.A	
...4	R110	2007-000775	R-CHIP;33KOHM,5%,1/16W,TP,1005	1	S.N.A	
...4	R110	2007-000775	R-CHIP;33KOHM,5%,1/16W,TP,1005	1	S.N.A	
...4	R110	2007-000775	R-CHIP;33KOHM,5%,1/16W,TP,1005	1	S.N.A	
...4	R110	2007-000775	R-CHIP;33KOHM,5%,1/16W,TP,1005	1	S.N.A	
...4	R110	2007-000775	R-CHIP;33KOHM,5%,1/16W,TP,1005	1	S.N.A	
...4	R110	2007-000775	R-CHIP;33KOHM,5%,1/16W,TP,1005	1	S.N.A	
...4	R110	2007-000775	R-CHIP;33KOHM,5%,1/16W,TP,1005	1	S.N.A	
...4	R110	2007-000775	R-CHIP;33KOHM,5%,1/16W,TP,1005	1	S.N.A	
...4	R110	2007-000775	R-CHIP;33KOHM,5%,1/16W,TP,1005	1	S.N.A	
...4	R110	2007-000775	R-CHIP;33KOHM,5%,1/16W,TP,1005	1	S.N.A	
...4	R110	2007-000775	R-CHIP;33KOHM,5%,1/16W,TP,1005	1	S.N.A	
...4	R110	2007-000775	R-CHIP;33KOHM,5%,1/16W,TP,1005	1	S.N.A	
...4	R110	2007-000828	R-CHIP;39Kohm,1%,1/10W,TP,1608	1	S.A	





Level	Location No.	Code No.	Description & Specification	Q'ty	SA/SNA	Remark
....4	R110	2007-007297	R-CHIP;110ohm,1%,1/10W,TP,1608	1	S.A	
....4	R110	2007-007297	R-CHIP;110ohm,1%,1/10W,TP,1608	1	S.A	
....4	R110	2007-007306	R-CHIP;100ohm,1%,1/16W,TP,1005	1	S.N.A	
....4	R110	2007-007306	R-CHIP;100ohm,1%,1/16W,TP,1005	1	S.N.A	
....4	R110	2007-007306	R-CHIP;100ohm,1%,1/16W,TP,1005	1	S.N.A	
....4	R110	2007-007306	R-CHIP;100ohm,1%,1/16W,TP,1005	1	S.N.A	
....4	R110	2007-007306	R-CHIP;100ohm,1%,1/16W,TP,1005	1	S.N.A	
....4	R110	2007-007306	R-CHIP;100ohm,1%,1/16W,TP,1005	1	S.N.A	
....4	R110	2007-007306	R-CHIP;100ohm,1%,1/16W,TP,1005	1	S.N.A	
....4	R110	2007-007306	R-CHIP;100ohm,1%,1/16W,TP,1005	1	S.N.A	
....4	R110	2007-007306	R-CHIP;100ohm,1%,1/16W,TP,1005	1	S.N.A	
....4	R110	2007-007306	R-CHIP;100ohm,1%,1/16W,TP,1005	1	S.N.A	
....4	R110	2007-007318	R-CHIP;1Kohm,1%,1/16W,TP,1005	1	S.N.A	
....4	R110	2007-007318	R-CHIP;1Kohm,1%,1/16W,TP,1005	1	S.N.A	
....4	R110	2007-007318	R-CHIP;1Kohm,1%,1/16W,TP,1005	1	S.N.A	
....4	R110	2007-007698	R-CHIP;5.1KOHM,1%,1/16W,TP,1005	1	S.N.A	
....4	R110	2007-007723	R-CHIP;75Kohm,1%,1/10W,TP,1608	1	S.A	
....4	RA5104	2011-000585	R-NETWORK;47ohm,5%,1/16W,L,CHIP,8P,TP,3.	1	S.A	
....4	RA5105	2011-000585	R-NETWORK;47ohm,5%,1/16W,L,CHIP,8P,TP,3.	1	S.A	
....4	RA5106	2011-000585	R-NETWORK;47ohm,5%,1/16W,L,CHIP,8P,TP,3.	1	S.A	
....4	RA5107	2011-000585	R-NETWORK;47ohm,5%,1/16W,L,CHIP,8P,TP,3.	1	S.A	
....4	RA5108	2011-000585	R-NETWORK;47ohm,5%,1/16W,L,CHIP,8P,TP,3.	1	S.A	
....4	RA5109	2011-000585	R-NETWORK;47ohm,5%,1/16W,L,CHIP,8P,TP,3.	1	S.A	
....4	RA3101	2011-000651	R-NETWORK;10ohm,5%,1/16W,L,CHIP,8P,TP,32	1	S.A	
....4	RA3102	2011-000651	R-NETWORK;10ohm,5%,1/16W,L,CHIP,8P,TP,32	1	S.A	
....4	RA3103	2011-000651	R-NETWORK;10ohm,5%,1/16W,L,CHIP,8P,TP,32	1	S.A	
....4	RA3104	2011-000651	R-NETWORK;10ohm,5%,1/16W,L,CHIP,8P,TP,32	1	S.A	
....4	RA3109	2011-000651	R-NETWORK;10ohm,5%,1/16W,L,CHIP,8P,TP,32	1	S.A	
....4	RA3110	2011-000651	R-NETWORK;10ohm,5%,1/16W,L,CHIP,8P,TP,32	1	S.A	
....4	RA3111	2011-000651	R-NETWORK;10ohm,5%,1/16W,L,CHIP,8P,TP,32	1	S.A	
....4	RA3112	2011-000651	R-NETWORK;10ohm,5%,1/16W,L,CHIP,8P,TP,32	1	S.A	
....4	RA3117	2011-000651	R-NETWORK;10ohm,5%,1/16W,L,CHIP,8P,TP,32	1	S.A	
....4	RA3118	2011-000651	R-NETWORK;10ohm,5%,1/16W,L,CHIP,8P,TP,32	1	S.A	
....4	RA5101	2011-000816	R-NETWORK;100ohm,5%,1/16W,L,CHIP,8P,TP,3	1	S.A	
....4	RA7104	2011-000816	R-NETWORK;100ohm,5%,1/16W,L,CHIP,8P,TP,3	1	S.A	
....4	RA2101	2011-000881	R-NETWORK;33ohm,5%,1/16W,L,CHIP,8P,TP,3.	1	S.A	
....4	RA3115	2011-000881	R-NETWORK;33ohm,5%,1/16W,L,CHIP,8P,TP,3.	1	S.A	
....4	RA3116	2011-000881	R-NETWORK;33ohm,5%,1/16W,L,CHIP,8P,TP,3.	1	S.A	
....4	RA5102	2011-000881	R-NETWORK;33ohm,5%,1/16W,L,CHIP,8P,TP,3.	1	S.A	
....4	RA5103	2011-000881	R-NETWORK;33ohm,5%,1/16W,L,CHIP,8P,TP,3.	1	S.A	
....4	RA7103	2011-000881	R-NETWORK;33ohm,5%,1/16W,L,CHIP,8P,TP,3.	1	S.A	
....4	RA7105	2011-000881	R-NETWORK;33ohm,5%,1/16W,L,CHIP,8P,TP,3.	1	S.A	
....4	RA7107	2011-000881	R-NETWORK;33ohm,5%,1/16W,L,CHIP,8P,TP,3.	1	S.A	
....4	RA7108	2011-000881	R-NETWORK;33ohm,5%,1/16W,L,CHIP,8P,TP,3.	1	S.A	
....4	RA7203	2011-000881	R-NETWORK;33ohm,5%,1/16W,L,CHIP,8P,TP,3.	1	S.A	
....4	RA7204	2011-000881	R-NETWORK;33ohm,5%,1/16W,L,CHIP,8P,TP,3.	1	S.A	
....4	R3337_NSID	2011-001001	R-NETWORK;0ohm,5%,1/16W,L,CHIP,8P,TP,3.2	1	S.A	
....4	R3338_NSID	2011-001001	R-NETWORK;0ohm,5%,1/16W,L,CHIP,8P,TP,3.2	1	S.A	
....4	R3339_NSID	2011-001001	R-NETWORK;0ohm,5%,1/16W,L,CHIP,8P,TP,3.2	1	S.A	
....4	RA5243	2011-001001	R-NETWORK;0ohm,5%,1/16W,L,CHIP,8P,TP,3.2	1	S.A	
....4	RA5244	2011-001001	R-NETWORK;0ohm,5%,1/16W,L,CHIP,8P,TP,3.2	1	S.A	
....4	RA5245	2011-001001	R-NETWORK;0ohm,5%,1/16W,L,CHIP,8P,TP,3.2	1	S.A	

5. Exploded View & Part List

Level	Location No.	Code No.	Description & Specification	Q'ty	SA/SNA	Remark
...4	RA5246	2011-001001	R-NETWORK;0ohm,5%,1/16W,L,CHIP,8P,TP,3.2	1	S.A	
...4	RA5247	2011-001001	R-NETWORK;0ohm,5%,1/16W,L,CHIP,8P,TP,3.2	1	S.A	
...4	RA6101	2011-001001	R-NETWORK;0ohm,5%,1/16W,L,CHIP,8P,TP,3.2	1	S.A	
...4	RA6169	2011-001001	R-NETWORK;0ohm,5%,1/16W,L,CHIP,8P,TP,3.2	1	S.A	
...4	RA6170	2011-001001	R-NETWORK;0ohm,5%,1/16W,L,CHIP,8P,TP,3.2	1	S.A	
...4	RA6172	2011-001001	R-NETWORK;0ohm,5%,1/16W,L,CHIP,8P,TP,3.2	1	S.A	
...4	RA6173	2011-001001	R-NETWORK;0ohm,5%,1/16W,L,CHIP,8P,TP,3.2	1	S.A	
...4	RA7009	2011-001011	R-NETWORK;10Kohm,5%,1/16W,L,CHIP,8P,TP,3	1	S.A	
...4	RA7010	2011-001011	R-NETWORK;10Kohm,5%,1/16W,L,CHIP,8P,TP,3	1	S.A	
...4	RA7011	2011-001011	R-NETWORK;10Kohm,5%,1/16W,L,CHIP,8P,TP,3	1	S.A	
...4	RA7012	2011-001011	R-NETWORK;10Kohm,5%,1/16W,L,CHIP,8P,TP,3	1	S.A	
...4	RA7209	2011-001011	R-NETWORK;10Kohm,5%,1/16W,L,CHIP,8P,TP,3	1	S.A	
...4	RA7001	2011-001087	R-NETWORK;75ohm,5%,1/16W,L,CHIP,8P,TP,3.	1	S.A	
...4	RA7002	2011-001087	R-NETWORK;75ohm,5%,1/16W,L,CHIP,8P,TP,3.	1	S.A	
...4	RA7003	2011-001087	R-NETWORK;75ohm,5%,1/16W,L,CHIP,8P,TP,3.	1	S.A	
...4	RA7004	2011-001087	R-NETWORK;75ohm,5%,1/16W,L,CHIP,8P,TP,3.	1	S.A	
...4	RA7005	2011-001087	R-NETWORK;75ohm,5%,1/16W,L,CHIP,8P,TP,3.	1	S.A	
...4	RA7006	2011-001087	R-NETWORK;75ohm,5%,1/16W,L,CHIP,8P,TP,3.	1	S.A	
...4	RA7007	2011-001087	R-NETWORK;75ohm,5%,1/16W,L,CHIP,8P,TP,3.	1	S.A	
...4	RA7008	2011-001087	R-NETWORK;75ohm,5%,1/16W,L,CHIP,8P,TP,3.	1	S.A	
...4	RA7101	2011-001087	R-NETWORK;75ohm,5%,1/16W,L,CHIP,8P,TP,3.	1	S.A	
...4	RA7205	2011-001087	R-NETWORK;75ohm,5%,1/16W,L,CHIP,8P,TP,3.	1	S.A	
...4	RA7210	2011-001087	R-NETWORK;75ohm,5%,1/16W,L,CHIP,8P,TP,3.	1	S.A	
...4	RA2102	2011-001093	R-NETWORK;100ohm,5%,1/16W,L,CHIP,8P,TP,3	1	S.A	
...4	RA2103	2011-001093	R-NETWORK;100ohm,5%,1/16W,L,CHIP,8P,TP,3	1	S.A	
...4	RA7201	2011-001093	R-NETWORK;100ohm,5%,1/16W,L,CHIP,8P,TP,3	1	S.A	
...4	RA7202	2011-001093	R-NETWORK;100ohm,5%,1/16W,L,CHIP,8P,TP,3	1	S.A	
...4	C120	2203-000206	C-CER,CHIP;100nF,10%,50V,X7R,2012	1	S.A	
...4	C120	2203-000233	C-CER,CHIP;0.1nF,5%,50V,C0G,1005	1	S.A	
...4	C120	2203-000233	C-CER,CHIP;0.1nF,5%,50V,C0G,1005	1	S.A	
...4	C120	2203-000233	C-CER,CHIP;0.1nF,5%,50V,C0G,1005	1	S.A	
...4	C120	2203-000233	C-CER,CHIP;0.1nF,5%,50V,C0G,1005	1	S.A	
...4	C120	2203-000233	C-CER,CHIP;0.1nF,5%,50V,C0G,1005	1	S.A	
...4	C120	2203-000233	C-CER,CHIP;0.1nF,5%,50V,C0G,1005	1	S.A	
...4	C120	2203-000233	C-CER,CHIP;0.1nF,5%,50V,C0G,1005	1	S.A	
...4	C120	2203-000233	C-CER,CHIP;0.1nF,5%,50V,C0G,1005	1	S.A	
...4	C120	2203-000233	C-CER,CHIP;0.1nF,5%,50V,C0G,1005	1	S.A	
...4	C120	2203-000233	C-CER,CHIP;0.1nF,5%,50V,C0G,1005	1	S.A	
...4	C120	2203-000233	C-CER,CHIP;0.1nF,5%,50V,C0G,1005	1	S.A	
...4	C120	2203-000233	C-CER,CHIP;0.1nF,5%,50V,C0G,1005	1	S.A	
...4	C120	2203-000233	C-CER,CHIP;0.1nF,5%,50V,C0G,1005	1	S.A	
...4	C120	2203-000233	C-CER,CHIP;0.1nF,5%,50V,C0G,1005	1	S.A	
...4	C120	2203-000257	C-CER,CHIP;10nF,10%,50V,X7R,TP,1608	1	S.A	
...4	C120	2203-000257	C-CER,CHIP;10nF,10%,50V,X7R,TP,1608	1	S.A	
...4	C120	2203-000332	C-CER,CHIP;0.012nF,5%,50V,C0G,1608	1	S.A	
...4	C120	2203-000332	C-CER,CHIP;0.012nF,5%,50V,C0G,1608	1	S.A	
...4	C120	2203-000386	C-CER,CHIP;0.015nF,5%,50V,C0G,1005	1	S.A	
...4	C120	2203-000386	C-CER,CHIP;0.015nF,5%,50V,C0G,1005	1	S.A	
...4	C120	2203-000386	C-CER,CHIP;0.015nF,5%,50V,C0G,1005	1	S.A	
...4	C120	2203-000425	C-CER,CHIP;0.018nF,5%,50V,C0G,1005	1	S.A	
...4	C120	2203-000425	C-CER,CHIP;0.018nF,5%,50V,C0G,1005	1	S.A	
...4	C120	2203-000438	C-CER,CHIP;1nF,10%,50V,X7R,1005	1	S.A	
...4	C120	2203-000438	C-CER,CHIP;1nF,10%,50V,X7R,1005	1	S.A	
...4	C120	2203-000438	C-CER,CHIP;1nF,10%,50V,X7R,1005	1	S.A	
...4	C120	2203-000438	C-CER,CHIP;1nF,10%,50V,X7R,1005	1	S.A	



## 5. Exploded View &amp; Part List

Level	Location No.	Code No.	Description & Specification	Q'ty	SA/SNA	Remark
...4	C120	2203-000438	C-CER,CHIP;1nF,10%,50V,X7R,1005	1	S.A	
...4	C120	2203-000438	C-CER,CHIP;1nF,10%,50V,X7R,1005	1	S.A	
...4	C120	2203-000438	C-CER,CHIP;1nF,10%,50V,X7R,1005	1	S.A	
...4	C120	2203-000438	C-CER,CHIP;1nF,10%,50V,X7R,1005	1	S.A	
...4	C120	2203-000438	C-CER,CHIP;1nF,10%,50V,X7R,1005	1	S.A	
...4	C120	2203-000438	C-CER,CHIP;1nF,10%,50V,X7R,1005	1	S.A	
...4	C120	2203-000438	C-CER,CHIP;1nF,10%,50V,X7R,1005	1	S.A	
...4	C120	2203-000438	C-CER,CHIP;1nF,10%,50V,X7R,1005	1	S.A	
...4	C120	2203-000438	C-CER,CHIP;1nF,10%,50V,X7R,1005	1	S.A	
...4	C120	2203-000438	C-CER,CHIP;1nF,10%,50V,X7R,1005	1	S.A	
...4	C120	2203-000438	C-CER,CHIP;1nF,10%,50V,X7R,1005	1	S.A	
...4	C120	2203-000438	C-CER,CHIP;1nF,10%,50V,X7R,1005	1	S.A	
...4	C120	2203-000440	C-CER,CHIP;1nF,10%,50V,X7R,1608	1	S.A	
...4	C120	2203-000440	C-CER,CHIP;1nF,10%,50V,X7R,1608	1	S.A	
...4	C120	2203-000489	C-CER,CHIP;2.2nF,10%,50V,X7R,1005	1	S.A	
...4	C120	2203-000489	C-CER,CHIP;2.2nF,10%,50V,X7R,1005	1	S.A	
...4	C120	2203-000489	C-CER,CHIP;2.2nF,10%,50V,X7R,1005	1	S.A	
...4	C120	2203-000489	C-CER,CHIP;2.2nF,10%,50V,X7R,1005	1	S.A	
...4	C120	2203-000489	C-CER,CHIP;2.2nF,10%,50V,X7R,1005	1	S.A	
...4	C120	2203-000550	C-CER,CHIP;0.02nF,5%,50V,C0G,1005	1	S.N.A	
...4	C120	2203-000550	C-CER,CHIP;0.02nF,5%,50V,C0G,1005	1	S.N.A	
...4	C120	2203-000627	C-CER,CHIP;0.022nF,5%,50V,C0G,1005	1	S.N.A	
...4	C120	2203-000627	C-CER,CHIP;0.022nF,5%,50V,C0G,1005	1	S.N.A	
...4	C120	2203-000627	C-CER,CHIP;0.022nF,5%,50V,C0G,1005	1	S.N.A	
...4	C120	2203-000714	C-CER,CHIP;3.3nF,10%,50V,X7R,TP,1005,-	1	S.A	
...4	C120	2203-000714	C-CER,CHIP;3.3nF,10%,50V,X7R,TP,1005,-	1	S.A	
...4	C120	2203-000783	C-CER,CHIP;0.33nF,5%,50V,C0G,1608	1	S.A	
...4	C120	2203-000783	C-CER,CHIP;0.33nF,5%,50V,C0G,1608	1	S.A	
...4	C120	2203-000783	C-CER,CHIP;0.33nF,5%,50V,C0G,1608	1	S.A	
...4	C120	2203-000783	C-CER,CHIP;0.33nF,5%,50V,C0G,1608	1	S.A	
...4	C120	2203-000783	C-CER,CHIP;0.33nF,5%,50V,C0G,1608	1	S.A	
...4	C120	2203-000783	C-CER,CHIP;0.33nF,5%,50V,C0G,1608	1	S.A	
...4	C120	2203-000783	C-CER,CHIP;0.33nF,5%,50V,C0G,1608	1	S.A	
...4	C120	2203-000815	C-CER,CHIP;0.033nF,5%,50V,C0G,1608	1	S.A	
...4	C120	2203-000815	C-CER,CHIP;0.033nF,5%,50V,C0G,1608	1	S.A	
...4	C120	2203-000925	C-CER,CHIP;470nF,+80-20%,50V,Y5V,2012	1	S.A	
...4	C120	2203-000925	C-CER,CHIP;470nF,+80-20%,50V,Y5V,2012	1	S.A	
...4	C120	2203-000975	C-CER,CHIP;47nF,10%,25V,X7R,TP,1608,-	1	S.A	
...4	C120	2203-000975	C-CER,CHIP;47nF,10%,25V,X7R,TP,1608,-	1	S.A	
...4	C120	2203-000975	C-CER,CHIP;47nF,10%,25V,X7R,TP,1608,-	1	S.A	
...4	C120	2203-000975	C-CER,CHIP;47nF,10%,25V,X7R,TP,1608,-	1	S.A	
...4	C120	2203-000975	C-CER,CHIP;47nF,10%,25V,X7R,TP,1608,-	1	S.A	
...4	C120	2203-000975	C-CER,CHIP;47nF,10%,25V,X7R,TP,1608,-	1	S.A	
...4	C120	2203-000975	C-CER,CHIP;47nF,10%,25V,X7R,TP,1608,-	1	S.A	
...4	C120	2203-000975	C-CER,CHIP;47nF,10%,25V,X7R,TP,1608,-	1	S.A	
...4	C120	2203-000998	C-CER,CHIP;0.047nF,5%,50V,C0G,1608	1	S.A	
...4	C120	2203-000998	C-CER,CHIP;0.047nF,5%,50V,C0G,1608	1	S.A	
...4	C120	2203-000998	C-CER,CHIP;0.047nF,5%,50V,C0G,1608	1	S.A	
...4	C120	2203-000998	C-CER,CHIP;0.047nF,5%,50V,C0G,1608	1	S.A	
...4	C120	2203-000998	C-CER,CHIP;0.047nF,5%,50V,C0G,1608	1	S.A	
...4	C120	2203-000998	C-CER,CHIP;0.047nF,5%,50V,C0G,1608	1	S.A	
...4	C120	2203-001153	C-CER,CHIP;0.068nF,5%,50V,NP0,1005	1	S.A	

















## 5. Exploded View &amp; Part List

Level	Location No.	Code No.	Description & Specification	Q'ty	SA/SNA	Remark
...4	C120	2203-006681	C-CER,CHIP;100nF,+80-20%,25V,Y5V,1005	1	S.N.A	
...4	C120	2203-006681	C-CER,CHIP;100nF,+80-20%,25V,Y5V,1005	1	S.N.A	
...4	C120	2203-006681	C-CER,CHIP;100nF,+80-20%,25V,Y5V,1005	1	S.N.A	
...4	C120	2203-006681	C-CER,CHIP;100nF,+80-20%,25V,Y5V,1005	1	S.N.A	
...4	C120	2203-006681	C-CER,CHIP;100nF,+80-20%,25V,Y5V,1005	1	S.N.A	
...4	C120	2203-006681	C-CER,CHIP;100nF,+80-20%,25V,Y5V,1005	1	S.N.A	
...4	C120	2203-006681	C-CER,CHIP;100nF,+80-20%,25V,Y5V,1005	1	S.N.A	
...4	C120	2203-006681	C-CER,CHIP;100nF,+80-20%,25V,Y5V,1005	1	S.N.A	
...4	C120	2203-006681	C-CER,CHIP;100nF,+80-20%,25V,Y5V,1005	1	S.N.A	
...4	C120	2203-006681	C-CER,CHIP;100nF,+80-20%,25V,Y5V,1005	1	S.N.A	
...4	C120	2203-006681	C-CER,CHIP;100nF,+80-20%,25V,Y5V,1005	1	S.N.A	
...4	C120	2203-006681	C-CER,CHIP;100nF,+80-20%,25V,Y5V,1005	1	S.N.A	
...4	C120	2203-006681	C-CER,CHIP;100nF,+80-20%,25V,Y5V,1005	1	S.N.A	
...4	C120	2203-006681	C-CER,CHIP;100nF,+80-20%,25V,Y5V,1005	1	S.N.A	
...4	C120	2203-006681	C-CER,CHIP;100nF,+80-20%,25V,Y5V,1005	1	S.N.A	
...4	C120	2203-006681	C-CER,CHIP;100nF,+80-20%,25V,Y5V,1005	1	S.N.A	
...4	C120	2203-006681	C-CER,CHIP;100nF,+80-20%,25V,Y5V,1005	1	S.N.A	
...4	C120	2203-006681	C-CER,CHIP;100nF,+80-20%,25V,Y5V,1005	1	S.N.A	
...4	C120	2203-006681	C-CER,CHIP;100nF,+80-20%,25V,Y5V,1005	1	S.N.A	
...4	C120	2203-006681	C-CER,CHIP;100nF,+80-20%,25V,Y5V,1005	1	S.N.A	
...4	C120	2203-006681	C-CER,CHIP;100nF,+80-20%,25V,Y5V,1005	1	S.N.A	
...4	C120	2203-006992	C-CER,CHIP;0.33nF,5%,50V,C0G,1005	1	S.N.A	
...4	C120	2203-007176	C-CER,CHIP;10000nF,10%,16V,X5R,TP,2012 (	1	S.N.A	
...4	C120	2203-007176	C-CER,CHIP;10000nF,10%,16V,X5R,TP,2012 (	1	S.N.A	
...4	C120	2203-007176	C-CER,CHIP;10000nF,10%,16V,X5R,TP,2012 (	1	S.N.A	
...4	C120	2203-007176	C-CER,CHIP;10000nF,10%,16V,X5R,TP,2012 (	1	S.N.A	
...4	C120	2203-007176	C-CER,CHIP;10000nF,10%,16V,X5R,TP,2012 (	1	S.N.A	
...4	C120	2203-007176	C-CER,CHIP;10000nF,10%,16V,X5R,TP,2012 (	1	S.N.A	
...4	C120	2203-007176	C-CER,CHIP;10000nF,10%,16V,X5R,TP,2012 (	1	S.N.A	
...4	C120	2203-007176	C-CER,CHIP;10000nF,10%,16V,X5R,TP,2012 (	1	S.N.A	
...4	C120	2203-007176	C-CER,CHIP;10000nF,10%,16V,X5R,TP,2012 (	1	S.N.A	
...4	C120	2203-007176	C-CER,CHIP;10000nF,10%,16V,X5R,TP,2012 (	1	S.N.A	
...4	C120	2203-007176	C-CER,CHIP;10000nF,10%,16V,X5R,TP,2012 (	1	S.N.A	
...4	C1120	2402-001128	C-AL,SMD;100##F,20%,16V,-,TP,6.3X5.7mm	1	S.A	
...4	C1121	2402-001128	C-AL,SMD;100##F,20%,16V,-,TP,6.3X5.7mm	1	S.A	
...4	C2139	2402-001128	C-AL,SMD;100##F,20%,16V,-,TP,6.3X5.7mm	1	S.A	
...4	C2140	2402-001128	C-AL,SMD;100##F,20%,16V,-,TP,6.3X5.7mm	1	S.A	
...4	C3170	2402-001128	C-AL,SMD;100##F,20%,16V,-,TP,6.3X5.7mm	1	S.A	
...4	C3189	2402-001129	C-AL,SMD;47UF,20%,16V,WT,TP,6.3X5.2MM	1	S.A	
...4	C1163	2402-001210	C-POLYMER AL CHIP;100uF,20%,10V,WT,TP,7.	1	S.A	
...4	C1169	2402-001210	C-POLYMER AL CHIP;100uF,20%,10V,WT,TP,7.	1	S.A	
...4	C5120	2402-001210	C-POLYMER AL CHIP;100uF,20%,10V,WT,TP,7.	1	S.A	
...4	C5355	2402-001210	C-POLYMER AL CHIP;100uF,20%,10V,WT,TP,7.	1	S.A	
...4	C6151_OP	2402-001259	C-AL,SMD;220uF,20%,16V,WT,REEL,8X10	1	S.A	
...4	C2160	2402-001273	C-AL,SMD;220uF,20%,35V,WT,REEL,10X10mm	1	S.A	
...4	C1140	2409-001118	C-POLYMER ,CHIP;47uF,+20,10V,WT,REEL,3.	1	S.A	
...4	C1351	2409-001118	C-POLYMER ,CHIP;47uF,+20,10V,WT,REEL,3.	1	S.A	
...4	C5521	2409-001118	C-POLYMER ,CHIP;47uF,+20,10V,WT,REEL,3.	1	S.A	
...4	C5522	2409-001118	C-POLYMER ,CHIP;47uF,+20,10V,WT,REEL,3.	1	S.A	
...4	T0052	2703-000398	INDUCTOR-SMD;10uH,10%,3225	1	S.A	
...4	T0052	2703-000398	INDUCTOR-SMD;10uH,10%,3225	1	S.A	
...4	T0052	2703-000417	INDUCTOR-SMD;220uH,5%,3225	1	S.A	
...4	T0052	2703-001334	INDUCTOR-SMD;1.5uH,10%,2012	1	S.A	
...4	T0052	2703-001334	INDUCTOR-SMD;1.5uH,10%,2012	1	S.A	
...4	T0052	2703-001334	INDUCTOR-SMD;1.5uH,10%,2012	1	S.A	

5. Exploded View & Part List

Level	Location No.	Code No.	Description & Specification	Q'ty	SA/SNA	Remark
...4	T0052	2703-001334	INDUCTOR-SMD;1.5uH,10%,2012	1	S.A	
...4	T0052	2703-001426	INDUCTOR-SMD;680uH,20%,7070	1	S.A	
...4	T0052	2703-002722	INDUCTOR-SMD;22uH,20%,12x12mm	1	S.A	
...4	T0052	2703-002722	INDUCTOR-SMD;22uH,20%,12x12mm	1	S.A	
...4	L2101	2704-000018	INDUCTOR-SMD-ARRAY;15uH,2000mA,2,0.124oh	1	S.N.A	
...4	L2102	2704-000018	INDUCTOR-SMD-ARRAY;15uH,2000mA,2,0.124oh	1	S.N.A	
...4	X202	2801-003326	CRYSTAL-SMD;24MHZ,30PPM,28-ABX,20PF,50OH	1	S.A	
...4	X202	2801-003954	CRYSTAL-SMD;27MHZ,30ppm,28-AAN,16pF,50oh	1	S.A	
...4	X202	2801-003954	CRYSTAL-SMD;27MHZ,30ppm,28-AAN,16pF,50oh	1	S.A	
...4	F103	2901-001114	FILTER-EMI SMD;25VDC,2.0ADC,-,100nF,3.2x	1	S.A	
...4	F103	2901-001302	FILTER-EMI SMD;20V,0.3A,0pF,2.0x1.2x1.3m	1	S.A	
...4	F103	2901-001302	FILTER-EMI SMD;20V,0.3A,0pF,2.0x1.2x1.3m	1	S.A	
...4	F103	2901-001302	FILTER-EMI SMD;20V,0.3A,0pF,2.0x1.2x1.3m	1	S.A	
...4	F103	2901-001302	FILTER-EMI SMD;20V,0.3A,0pF,2.0x1.2x1.3m	1	S.A	
...4	T0568	3301-001145	BEAD-SMD;60ohm,4516,TP,70ohm/45MHz,82ohm	1	S.N.A	
...4	T0568	3301-001145	BEAD-SMD;60ohm,4516,TP,70ohm/45MHz,82ohm	1	S.N.A	
...4	T0568	3301-001145	BEAD-SMD;60ohm,4516,TP,70ohm/45MHz,82ohm	1	S.N.A	
...4	T0568	3301-001145	BEAD-SMD;60ohm,4516,TP,70ohm/45MHz,82ohm	1	S.N.A	
...4	T0568	3301-001145	BEAD-SMD;60ohm,4516,TP,70ohm/45MHz,82ohm	1	S.N.A	
...4	T0568	3301-001145	BEAD-SMD;60ohm,4516,TP,70ohm/45MHz,82ohm	1	S.N.A	
...4	T0568	3301-001145	BEAD-SMD;60ohm,4516,TP,70ohm/45MHz,82ohm	1	S.N.A	
...4	T0568	3301-001145	BEAD-SMD;60ohm,4516,TP,70ohm/45MHz,82ohm	1	S.N.A	
...4	T0568	3301-001148	BEAD-SMD;60ohm,1608,TP,-,-	1	S.N.A	
...4	T0568	3301-001148	BEAD-SMD;60ohm,1608,TP,-,-	1	S.N.A	
...4	T0568	3301-001148	BEAD-SMD;60ohm,1608,TP,-,-	1	S.N.A	
...4	T0568	3301-001404	BEAD-SMD;30ohm,2012,TP,15.9OHM/30MHz	1	S.A	
...4	T0568	3301-001404	BEAD-SMD;30ohm,2012,TP,15.9OHM/30MHz	1	S.A	
...4	T0568	3301-001404	BEAD-SMD;30ohm,2012,TP,15.9OHM/30MHz	1	S.A	
...4	T0568	3301-001404	BEAD-SMD;30ohm,2012,TP,15.9OHM/30MHz	1	S.A	
...4	T0568	3301-001404	BEAD-SMD;30ohm,2012,TP,15.9OHM/30MHz	1	S.A	
...4	T0568	3301-001404	BEAD-SMD;30ohm,2012,TP,15.9OHM/30MHz	1	S.A	
...4	T0568	3301-001404	BEAD-SMD;30ohm,2012,TP,15.9OHM/30MHz	1	S.A	
...4	T0568	3301-001404	BEAD-SMD;30ohm,2012,TP,15.9OHM/30MHz	1	S.A	
...4	T0568	3301-001404	BEAD-SMD;30ohm,2012,TP,15.9OHM/30MHz	1	S.A	
...4	T0568	3301-001404	BEAD-SMD;30ohm,2012,TP,15.9OHM/30MHz	1	S.A	
...4	T0568	3301-001404	BEAD-SMD;30ohm,2012,TP,15.9OHM/30MHz	1	S.A	
...4	T0568	3301-001569	BEAD-SMD;600ohm,2012,1000mA,TP,520ohm/90	1	S.N.A	
...4	T0568	3301-001569	BEAD-SMD;600ohm,2012,1000mA,TP,520ohm/90	1	S.N.A	
...4	T0568	3301-001569	BEAD-SMD;600ohm,2012,1000mA,TP,520ohm/90	1	S.N.A	
...4	T0568	3301-001569	BEAD-SMD;600ohm,2012,1000mA,TP,520ohm/90	1	S.N.A	
...4	T0568	3301-001569	BEAD-SMD;600ohm,2012,1000mA,TP,520ohm/90	1	S.N.A	
...4	T0568	3301-001569	BEAD-SMD;600ohm,2012,1000mA,TP,520ohm/90	1	S.N.A	
...4	T0568	3301-001569	BEAD-SMD;600ohm,2012,1000mA,TP,520ohm/90	1	S.N.A	
...4	T0568	3301-001569	BEAD-SMD;600ohm,2012,1000mA,TP,520ohm/90	1	S.N.A	
...4	T0568	3301-001569	BEAD-SMD;600ohm,2012,1000mA,TP,520ohm/90	1	S.N.A	
...4	T0568	3301-001569	BEAD-SMD;600ohm,2012,1000mA,TP,520ohm/90	1	S.N.A	
...4	T0568	3301-001569	BEAD-SMD;600ohm,2012,1000mA,TP,520ohm/90	1	S.N.A	
...4	T0568	3301-001569	BEAD-SMD;600ohm,2012,1000mA,TP,520ohm/90	1	S.N.A	
...4	T0568	3301-001569	BEAD-SMD;600ohm,2012,1000mA,TP,520ohm/90	1	S.N.A	
...4	T0568	3301-001569	BEAD-SMD;600ohm,2012,1000mA,TP,520ohm/90	1	S.N.A	
...4	T0568	3301-001569	BEAD-SMD;600ohm,2012,1000mA,TP,520ohm/90	1	S.N.A	

## 5. Exploded View &amp; Part List

Level	Location No.	Code No.	Description & Specification	Q'ty	SA/SNA	Remark
...4	T0568	3301-001569	BEAD-SMD;600ohm,2012,1000mA,TP,520ohm/90	1	S.N.A	
...4	T0568	3301-001569	BEAD-SMD;600ohm,2012,1000mA,TP,520ohm/90	1	S.N.A	
...4	T0568	3301-001569	BEAD-SMD;600ohm,2012,1000mA,TP,520ohm/90	1	S.N.A	
...4	T0568	3301-001569	BEAD-SMD;600ohm,2012,1000mA,TP,520ohm/90	1	S.N.A	
...4	T0568	3301-001569	BEAD-SMD;600ohm,2012,1000mA,TP,520ohm/90	1	S.N.A	
...4	T0568	3301-001569	BEAD-SMD;600ohm,2012,1000mA,TP,520ohm/90	1	S.N.A	
...4	T0568	3301-001569	BEAD-SMD;600ohm,2012,1000mA,TP,520ohm/90	1	S.N.A	
...4	T0568	3301-001569	BEAD-SMD;600ohm,2012,1000mA,TP,520ohm/90	1	S.N.A	
...4	T0568	3301-001569	BEAD-SMD;600ohm,2012,1000mA,TP,520ohm/90	1	S.N.A	
...4	T0568	3301-001569	BEAD-SMD;600ohm,2012,1000mA,TP,520ohm/90	1	S.N.A	
...4	T0568	3301-001569	BEAD-SMD;600ohm,2012,1000mA,TP,520ohm/90	1	S.N.A	
...4	T0568	3301-001569	BEAD-SMD;600ohm,2012,1000mA,TP,520ohm/90	1	S.N.A	
...4	T0568	3301-001569	BEAD-SMD;600ohm,2012,1000mA,TP,520ohm/90	1	S.N.A	
...4	T0568	3301-001569	BEAD-SMD;600ohm,2012,1000mA,TP,520ohm/90	1	S.N.A	
...4	T0568	3301-001569	BEAD-SMD;600ohm,2012,1000mA,TP,520ohm/90	1	S.N.A	
...4	T0568	3301-001569	BEAD-SMD;600ohm,2012,1000mA,TP,520ohm/90	1	S.N.A	
...4	T0568	3301-001569	BEAD-SMD;600ohm,2012,1000mA,TP,520ohm/90	1	S.N.A	
...4	T0568	3301-001569	BEAD-SMD;600ohm,2012,1000mA,TP,520ohm/90	1	S.N.A	
...4	T0568	3301-001569	BEAD-SMD;600ohm,2012,1000mA,TP,520ohm/90	1	S.N.A	
...4	T0568	3301-001569	BEAD-SMD;600ohm,2012,1000mA,TP,520ohm/90	1	S.N.A	
...4	T0568	3301-001569	BEAD-SMD;600ohm,2012,1000mA,TP,520ohm/90	1	S.N.A	
...4	JA3102	3701-001367	CONNECTOR-HDMI;19P,2R,FEMALE,SMD,AU	1	S.A	
...4	JA3103	3701-001367	CONNECTOR-HDMI;19P,2R,FEMALE,SMD,AU	1	S.A	
...4	CN330	3711-005925	HEADER-BOARD TO CABLE;BOX,51P,1R,0.5mm,S	1	S.N.A	
...4	CN330	3711-006374	HEADER-BOARD TO CABLE;BOX,41P,2R,1.25mm,	1	S.A	
...4	T0077	BN41-00974A	PCB MAIN;Amber,FR-4,4,1,0,192*240,1	1	S.N.A	
...4	M0018	BN97-02049A	ASSY MICOM;T-PRLPEUMD,N46A,2007.11.26,11	1	S.N.A	
....5	IC115	1107-001415	IC-FLASH MEMORY;29W320D,4Mx8/2Mx16Bit,TS	1	S.N.A	
...4	M0018	BN97-02049B	ASSY MICOM;T-PRLPEUS,N46A,2007.11.26,090	1	S.N.A	
....5	IC520	0903-001552	IC-MICROCONTROLLER;WT61P8-RG480WT,LQFP,4	1	S.A	
...4	M0018	BN97-02049C	ASSY MICOM;T-PERLDEUC,N46A,2007.11.26,11	1	S.N.A	
....5	IC115	1107-001415	IC-FLASH MEMORY;29W320D,4Mx8/2Mx16Bit,TS	1	S.N.A	
...4	IC104	0801-002633	IC-CMOS LOGIC;7WBD3125,2bit BUS SWITCH,S	1	S.A	
...4	IC104	0801-002633	IC-CMOS LOGIC;7WBD3125,2bit BUS SWITCH,S	1	S.A	
...4	IC104	0801-002633	IC-CMOS LOGIC;7WBD3125,2bit BUS SWITCH,S	1	S.A	
...4	IC104	0801-002633	IC-CMOS LOGIC;7WBD3125,2bit BUS SWITCH,S	1	S.A	
...4	R110	2007-002425	R-CHIP;1ohm,5%,1/10W,TP,1608	1	S.A	
...4	R110	2007-002425	R-CHIP;1ohm,5%,1/10W,TP,1608	1	S.A	
...4	R110	2007-002425	R-CHIP;1ohm,5%,1/10W,TP,1608	1	S.A	
...4	R110	2007-002425	R-CHIP;1ohm,5%,1/10W,TP,1608	1	S.A	
...4	R110	2007-002425	R-CHIP;1ohm,5%,1/10W,TP,1608	1	S.A	
...4	R110	2007-002425	R-CHIP;1ohm,5%,1/10W,TP,1608	1	S.A	
...4	R110	2007-002425	R-CHIP;1ohm,5%,1/10W,TP,1608	1	S.A	
...4	C1207	2402-001238	C-AL,SMD;1uF,20%,50V,HR,TP,4.3x4.3x5.2mm	1	S.A	
...3	SUB09_MTK	BN73-00024B	SILICON/RUBBER-GAP PAD;POSEIDON,SILICON,	1	S.N.A	
...3	SUB10_FBE	BN73-00176A	SILICON/RUBBER-GAPPAD;EDISON 24,SILICON+	1	S.A	
0.1		BN91-02027B	ASSY SHIELD-SQH;LE52A557P7FX/XC	1	S.N.A	
..2	M0081	6003-000115	SCREW-TAPTITE;BH,+,B,M3,L6,ZPC(BLK),SWRC	6	S.A	
..2	M0081	6003-000115	SCREW-TAPTITE;BH,+,B,M3,L6,ZPC(BLK),SWRC	6	S.A	
..2	M0081	6003-000115	SCREW-TAPTITE;BH,+,B,M3,L6,ZPC(BLK),SWRC	1	S.A	

5. Exploded View & Part List

Level	Location No.	Code No.	Description & Specification	Q'ty	SA/SNA	Remark
..2	M0081	6003-000337	SCREW-TAPTITE;BH,+,S,M4,L10,ZPC(BLK),SWR	4	S.A	
..2	M0081	6003-000337	SCREW-TAPTITE;BH,+,S,M4,L10,ZPC(BLK),SWR	1	S.A	
..2	M0081	6003-000337	SCREW-TAPTITE;BH,+,S,M4,L10,ZPC(BLK),SWR	1	S.A	
..2	M0081	6003-000337	SCREW-TAPTITE;BH,+,S,M4,L10,ZPC(BLK),SWR	1	S.A	
..2	M0081	6003-000337	SCREW-TAPTITE;BH,+,S,M4,L10,ZPC(BLK),SWR	2	S.A	
..2	M0081	6003-000337	SCREW-TAPTITE;BH,+,S,M4,L10,ZPC(BLK),SWR	5	S.A	
..2	M0081	6003-000337	SCREW-TAPTITE;BH,+,S,M4,L10,ZPC(BLK),SWR	5	S.A	
..2	M0081	6003-001188	SCREW-TAPTITE;BH,+,-,B,M4,L10,ZPC(WHT),S	6	S.N.A	
..2	M0081	6003-001188	SCREW-TAPTITE;BH,+,-,B,M4,L10,ZPC(WHT),S	2	S.N.A	
..2	M0081	6003-001188	SCREW-TAPTITE;BH,+,-,B,M4,L10,ZPC(WHT),S	1	S.N.A	
..2	M0081	6003-001188	SCREW-TAPTITE;BH,+,-,B,M4,L10,ZPC(WHT),S	1	S.N.A	
..2	M0081	6003-001188	SCREW-TAPTITE;BH,+,-,B,M4,L10,ZPC(WHT),S	4	S.N.A	
..2	M0081	6003-001439	SCREW-TAPTITE;BH,+,-,S,M4,L8,ZPC(WHT),SW	1	S.N.A	
..2	M0081	6006-001096	SCREW-TAPTITE;BH,+,WP,B,M4.0,L12,ZPC(BLK	2	S.N.A	
..2	M0081	6006-001096	SCREW-TAPTITE;BH,+,WP,B,M4.0,L12,ZPC(BLK	2	S.N.A	
..2	M0081	6006-001096	SCREW-TAPTITE;BH,+,WP,B,M4.0,L12,ZPC(BLK	2	S.N.A	
..2	M2893	BH39-00362D	LEAD CONNECTOR;BEETHOVEN,UL1007#26,5P,50	1	S.A	
..2	M2893	BN39-00802Q	LEAD CONNECTOR;PS58P96FDX,UL1617#22,24P/	1	S.A	
..2	M2893	BN39-00851A	LEAD CONNECTOR;LE40M73BD,UL3443 #28,7P,3	1	S.A	
..2	M2893	BN39-01019A	LEAD CONNECTOR;LN52A550P,UL1007#26,2pin,	1	S.A	
..2	M2893	BN39-01021A	LEAD CONNECTOR;LN46A550P,UL1007#26,2pin,	1	S.A	
..2	M0174	BN44-00201A	IP BOARD;SIP528A,PEARL,15mA,150mA,150Hz,	1	S.A	
..2	M0114	BN61-02500A	HOLDER-WIRE;NYLON6.6,NATURAL	2	S.N.A	
..2	M0254	BN61-02875E	HOLDER-SIDE AV;40F8,EO,HIPS V0,-,-,BK5	1	S.N.A	
...3		BN81-00199H	RESIN;HIPS HB,BK500,HF-1690H,K2901	0.017	S.N.A	
..2	M0146	BN61-03056A	BRACKET-PANEL TOP;TULIP52,SECC,T1.2	2	S.N.A	
..2		BN61-03788B	HOLDER-WALL LEFT;L650,46,HIPS,HB,BK500,L	1	S.N.A	
...3		BN61-02932A	BRACKET-STOPPER NUT;SUM24L	2	S.N.A	
...3		BN81-00199H	RESIN;HIPS HB,BK500,HF-1690H,K2901	0.283	S.N.A	
..2		BN61-03828A	BRACKET-GUIDE MAIN;AMBER 52,SECC,T1.2,R	1	S.N.A	
..2		BN61-03864B	HOLDER-WALL RIGHT;L650,46,HIPS,HB,BK500,	1	S.N.A	
...3		BN61-02932A	BRACKET-STOPPER NUT;SUM24L	2	S.N.A	
...3		BN81-00199H	RESIN;HIPS HB,BK500,HF-1690H,K2901	0.282	S.N.A	
..2	M0107	BN63-03039A	SHIELD-COVER;MURANO40,PCM,T0.5,IDTV	1	S.N.A	
..2	M0125	BN96-05490A	ASSY INLET P;LE52M87BDX,XEC,300,300,150m	1	S.A	
..2	T0175	BN96-06809C	ASSY SPEAKER P;8ohm,L530 52",Down Firing	1	S.A	
..2	M0214	BN96-07161L	ASSY CABLE P-FLAT LVDS;LE52A556P1FXXC,FF	1	S.A	
..2	T0447	BN96-07390A	ASSY BRACKET P-PANEL;52L550,P2,P3,P4,EO,	1	S.N.A	
...3	M0081	6003-001188	SCREW-TAPTITE;BH,+,-,B,M4,L10,ZPC(WHT),S	1	S.N.A	
...3	M0081	6003-001188	SCREW-TAPTITE;BH,+,-,B,M4,L10,ZPC(WHT),S	2	S.N.A	
...3	M0081	6003-001188	SCREW-TAPTITE;BH,+,-,B,M4,L10,ZPC(WHT),S	1	S.N.A	
...3	M0081	6003-001188	SCREW-TAPTITE;BH,+,-,B,M4,L10,ZPC(WHT),S	1	S.N.A	
...3		BN61-03011A	BRACKET-GUIDE POWER;TULIP46,SECC,T1.2,RI	1	S.N.A	
...3		BN61-03012A	BRACKET-GUIDE POWER;TULIP46,SECC,T1.2,LE	1	S.N.A	
...3	M0115	BN61-03790A	BRACKET-STAND LINK;AMBER 46,SECC,T1.6,-,	1	S.N.A	
...3		BN61-03827A	BRACKET-GUIDE MAIN;AMBER 52,SECC,T1.2,L	1	S.N.A	
...3	M0131	BN63-02870A	GASKET;LNS4096D,Conductive Fabric,26mm,1	1	S.N.A	
...3	M0131	BN63-03520A	GASKET;Tulip,Conductive Fabric,10,18,300	1	S.N.A	
...3		BN61-03057A	BRACKET-PANEL BOTTOM;TULIP52,SECC,T1.2	1	S.N.A	
0.1		BN91-02032A	ASSY LCD-AUO;LE52A556P1FX/XC,LTF520HB01,	1	S.N.A	

## 5. Exploded View &amp; Part List

Level	Location No.	Code No.	Description & Specification	Q'ty	SA/SNA	Remark
..2	M0215	BN07-00522A	LCD-PANEL;LTF520HB01,8bit,52inch,1.67M,1	1	S.A	
0.1	M0003	BN92-03227F	ASSY BOX;52L530,EO(iDTV),P3	1	S.N.A	
..2	M0521	BN69-02444A	BOX-SET,IN;L530-52,CB,C-01,DY-01,AB,W176	1	S.N.A	
..2		BN69-02445B	BOX-SET,OUT;L550P3-52,CB,C-03,DY-01,AB,W	1	S.N.A	
0.1	M0113	BN92-03232B	ASSY P/MATERIAL;52L530,W/W	1	S.N.A	
..2	T0524	6902-000426	BAG PE;HDPE/NITRON,T0.015/T0.5,W1600,L14	1	S.N.A	
..2	T0003	6902-000604	BAG WRAPPING;LDPE,T0.02,W500,L10000,TRP,	6	S.N.A	
..2		6922-000003	BAND PP;PP,T0.8,W18,L1650M,TRP,DA69-9014	5.74	S.N.A	
..2	T0214	AA61-00049B	HOLDER-BOX;DP,AA61-20285A,PP,NTR,V0	2	S.N.A	
..2	T0214	BN74-00008A	TAPE-OPP MASKING;OPP-2,T0.05,W100,L800M,	1.53	S.N.A	
0.1	M0019	BN92-03261J	ASSY LABEL;LE32A557P2FX*	1	S.N.A	
0.1	M0045	BN92-03267C	ASSY ACCESSORY;LE46A556P1FX/XC,LE52A558P	1	S.N.A	
..2	M0045	BN96-07178A	ASSY ACCESSORY-MANUAL;LE46A556P1FXXC,N46	1	S.A	
...3	T0524	6902-000110	BAG PE;LDPE,T0.05,W250,L400,TRP,28,2	1	S.N.A	
...3	T0210	AA68-03242K	MANUAL FLYER-01,SAFETY GUIDE;comm,Samsun	1	S.N.A	
...3		AA68-03575A	MANUAL FLYER-02,REGISTRATION C;XEU,ENG,U	1	S.N.A	
...3		AA68-03575B	MANUAL FLYER-02,REGISTRATION C;XEG,GERMA	1	S.N.A	
...3		AA68-03575C	MANUAL FLYER-02,REGISTRATION C;XEF,FRENC	1	S.N.A	
...3		AA68-03575D	MANUAL FLYER-03,REGISTRATION C;XEC,SPANI	1	S.N.A	
...3		AA68-03575E	MANUAL FLYER-04,REGISTRATION C;XET,ITALY	1	S.N.A	
...3		AA68-03575F	MANUAL FLYER-02,REGISTRATION C;XEN,DUTCH	1	S.N.A	
...3		AA68-03575G	MANUAL FLYER-02,REGISTRATION C;XEP,PORTU	1	S.N.A	
...3		BN68-00514E	MANUAL FLYER-00,WARRANTY CARD;comm,Samsu	1	S.N.A	
...3	T0511	BN68-01409A	MANUAL USERS;COMM,SAMSUNG,8Language,W.Eu	1	S.N.A	
..2	M0045	BN96-07178B	ASSY ACCESSORY-CABEL;LE46A558P3FXXC,LE52	1	S.A	
...3	T0268	3903-000145	CBF-POWER CORD;DT,EU,FP3/YES,U(IEC C13-R	1	S.A	
...3	T0524	6902-000110	BAG PE;LDPE,T0.05,W250,L400,TRP,28,2	1	S.N.A	
...3	T0074	BN59-00683A	REMOCON;TM-96B,49,EUROPE_DTV-550	1	S.A	
...3		BN63-01798A	CLOTH-CLEAN;RE40**,CLOTH,180,200,RHCM	1	S.N.A	
...3	T0531	BN63-04374A	COVER-BOTTOM;46,52L550,P2,P3,P4,HIPS,-,-	1	S.N.A	
...4		BN81-00199H	RESIN;HIPS HB,BK500,HF-1690H,K2901	0.062	S.N.A	

## **Memo**