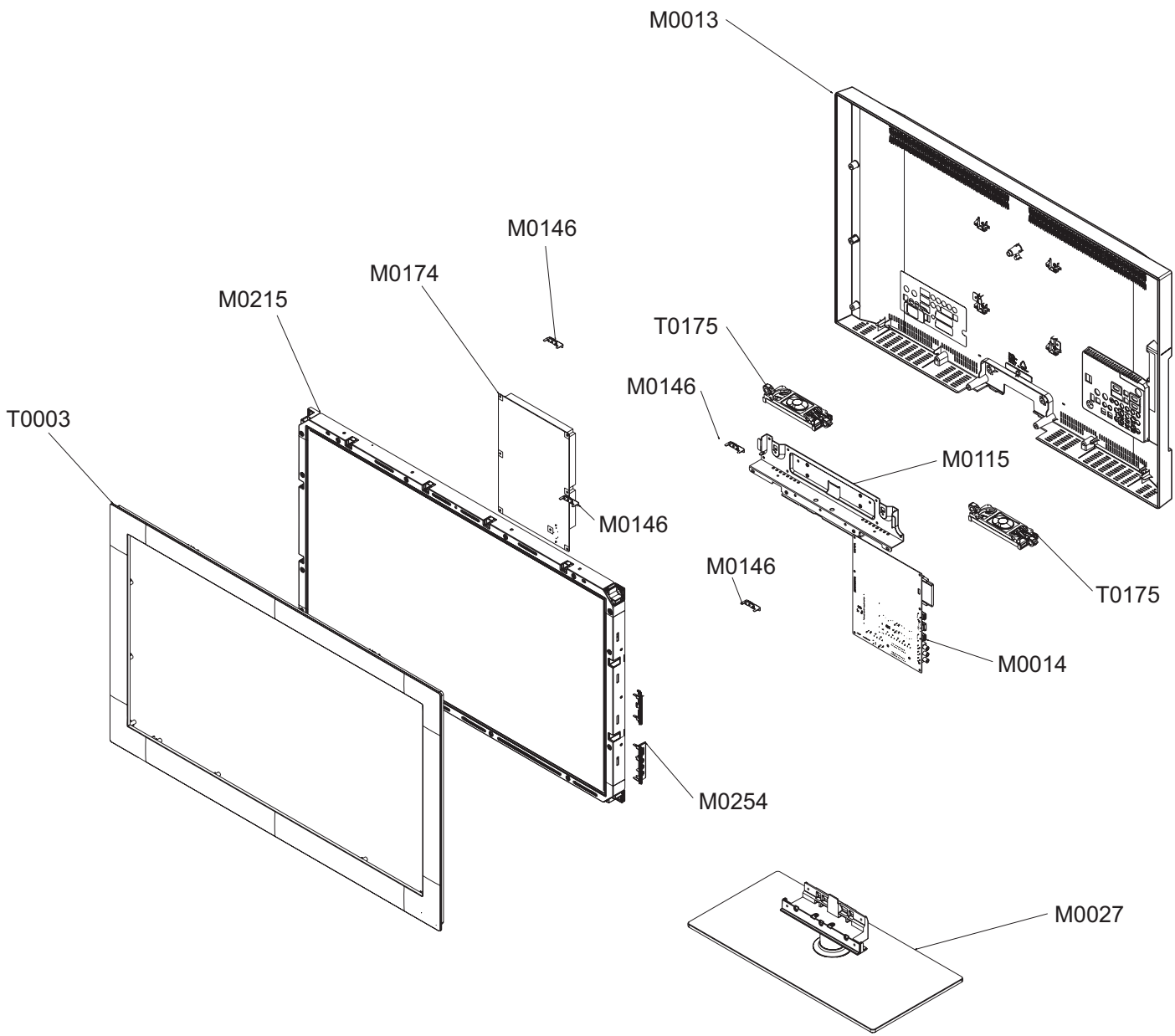


5-2. LE37B55* Exploded View



5-2-1. LE37B55* Parts List

Location No.	Code No.	Description & Specification	Q'ty	S.A/S.N.A	Remark
T0003	BN96-10332B	ASSY COVER P-FRONT;LB550-4 37,EO,PC(CLR)	1	S.A	
M0215	BN07-00643A	LCD-PANEL;T370HW02 VC	1	S.A	
T0175	BN96-09463C	ASSY SPEAKER P;8ohm,4pin,10W,R:250/ L:60	1	S.A	
M0115	BN61-04777A	BRACKET-STAND LINK;40,LB550(EO),SECC	1	S.N.A	
M0146	BN61-04370A	BRACKET-PANEL SIDE;L850,SECC,T1.2	2	S.N.A	
M0174	BN44-00262A	IP BOARD;PSIV181E01A,H37F1_9SS,0.1mA,10m	1	S.A	
M0014	BN94-02668H	ASSY PCB MAIN-AUO;LE37B550A5WX*	1	S.A	
M0254	BN61-04801C	HOLDER-SIDE AV;EO,HIPS,HB,BK500,1USB,1HD	1	S.N.A	
M0013	BN96-10343A	ASSY COVER P-REAR;LB550-3 37,EO,HIPS,HB,	1	S.A	
M0027	BN96-10342B	ASSY STAND P-BASE;LB550-4 37,40,TEMPERED	1	S.A	