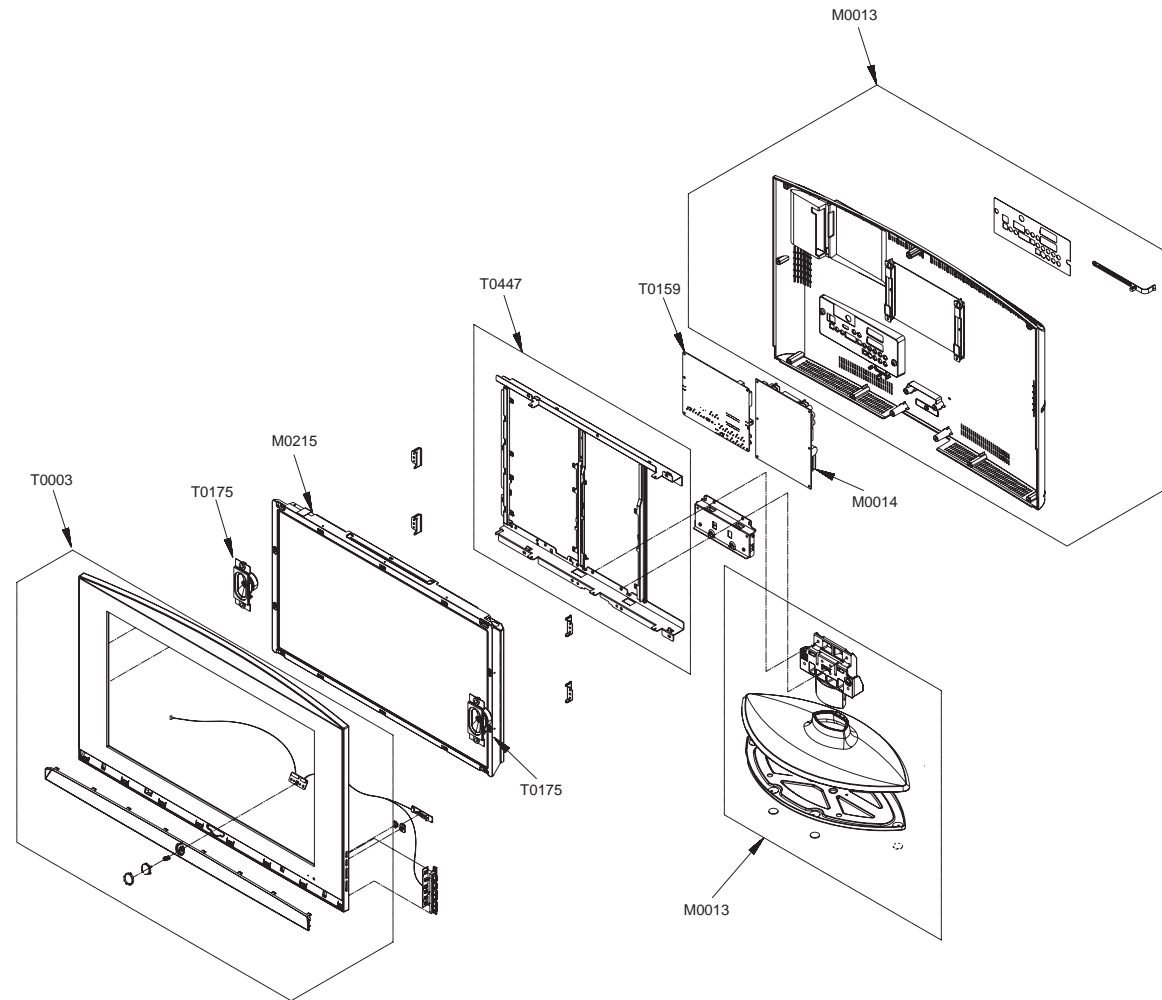


5 Exploded View and Parts List

- You can search for updated part codes through ITSELF web site.
URL : <http://itself.sec.samsung.co.kr/>

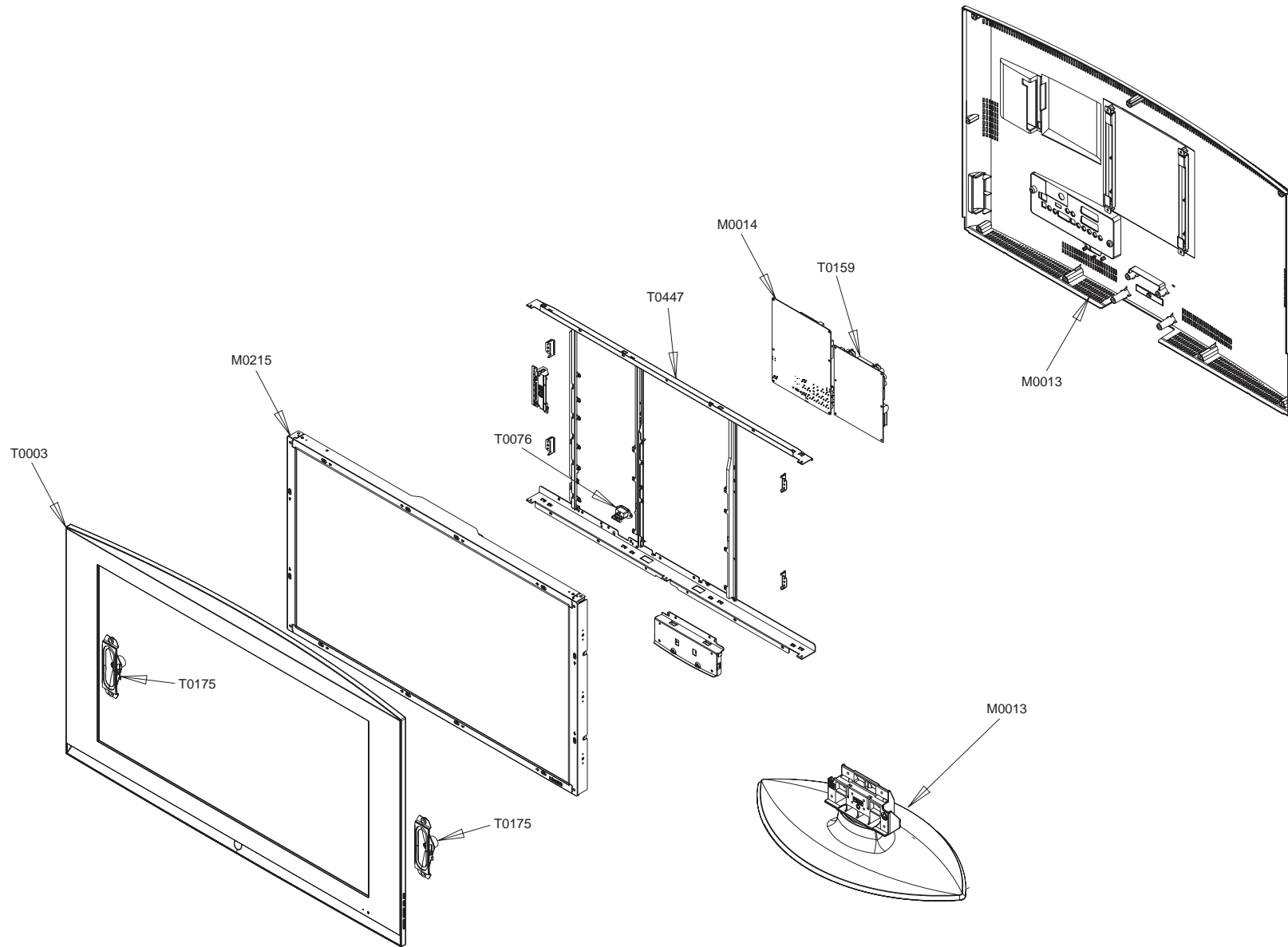
5-1 LE27S71B Exploded View



5-2 LE27S71B Parts list

Location	Code.No	Item & Specification	Q'ty	SA/SNA	Remark
T0003	BN96-03836A	ASSY COVER P-FRONT;27T70,EO,ABS+PMMA,HB,	1	SA	
T0175	BN96-03279A	ASSY SPEAKER P;16ohm,Sonoma 26,Left,5W,N	1	SA	
T0175	BN96-03280A	ASSY SPEAKER P;16ohm,Sonoma 26,Right,5W,	1	SA	
M0215	BN07-00136A	LCD-PANEL;V270B1-L01,Torino,8BIT,638.5*3	1	SA	
T0447	BN96-03944A	ASSY BRACKET P-PANEL;SONOMA,27EO,READY,S	1	SNA	
M0014	BN94-01032A	ASSY PCB MAIN;LE27S71BX	1	SA	
T0159	BN96-03058A	ASSY PCB P-SMPS;Bordeaux 26 PFC,LE26R71B	1	SA	
M0013	BN96-03837A	ASSY COVER P-REAR;27T71,EO,HIPS,HB,BK500	1	SA	
M0013	BN96-03945A	ASSY STAND P-BASE;SONOMA,27,ABS+PMMA,HB,	1	SA	

5-3 LE32S71B Exploded View

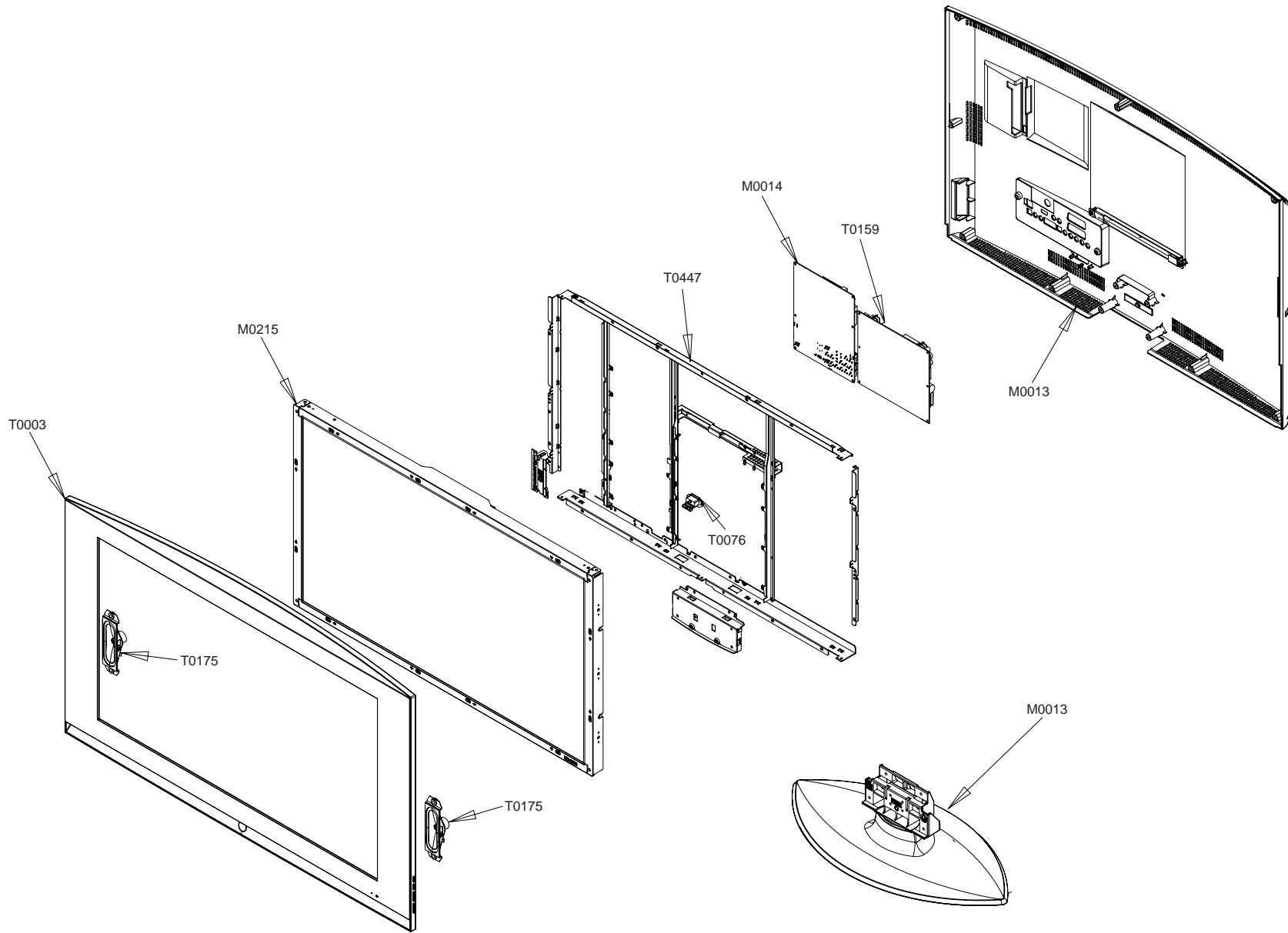


5 Exploded View & Parts List

5-4 LE32S71B Parts list

Location	Code.No	Item & Specification	Q'ty	SA/SNA	Remark
T0003	BN96-03628C	ASSY COVER P-FRONT;32T70,EO,-,ABS+PMMA,B	1	SA	
T0175	BN96-03247A	ASSY SPEAKER P;8ohm,Sonoma 32,Left,10W,N	1	SA	
T0175	BN96-03248A	ASSY SPEAKER P;8ohm,Sonoma 32,Right,10W,	1	SA	
M0215	BN07-00247A	LCD-PANEL;LTA320WT-L14,-,8BIT,760*450*50	1	SA	
T0447	BN96-02999A	ASSY BRACKET P-PANEL;BORDEAUX,32,AMLCD,S	1	SNA	
T0076	BN39-00615D	CBF HARNESS;BORDEAUX,1617#22,3P,1P,RING,	1	SA	
M0014	BN94-01031B	ASSY PCB MAIN;LE32S71BX	1	SA	
T0159	BN96-03775A	ASSY PCB P-SMPS;FreeVoltage SMPS,LA32R71	1	SA	
M0013	BN96-03838A	ASSY COVER P-REAR;32T71,EO,HIPS,HB,BK500	1	SA	
M0013	BN96-03698A	ASSY STAND P-BASE;32T70,ABS+PMMA,HB,BK23	1	SA	

5-5 LE37S71B Exploded View

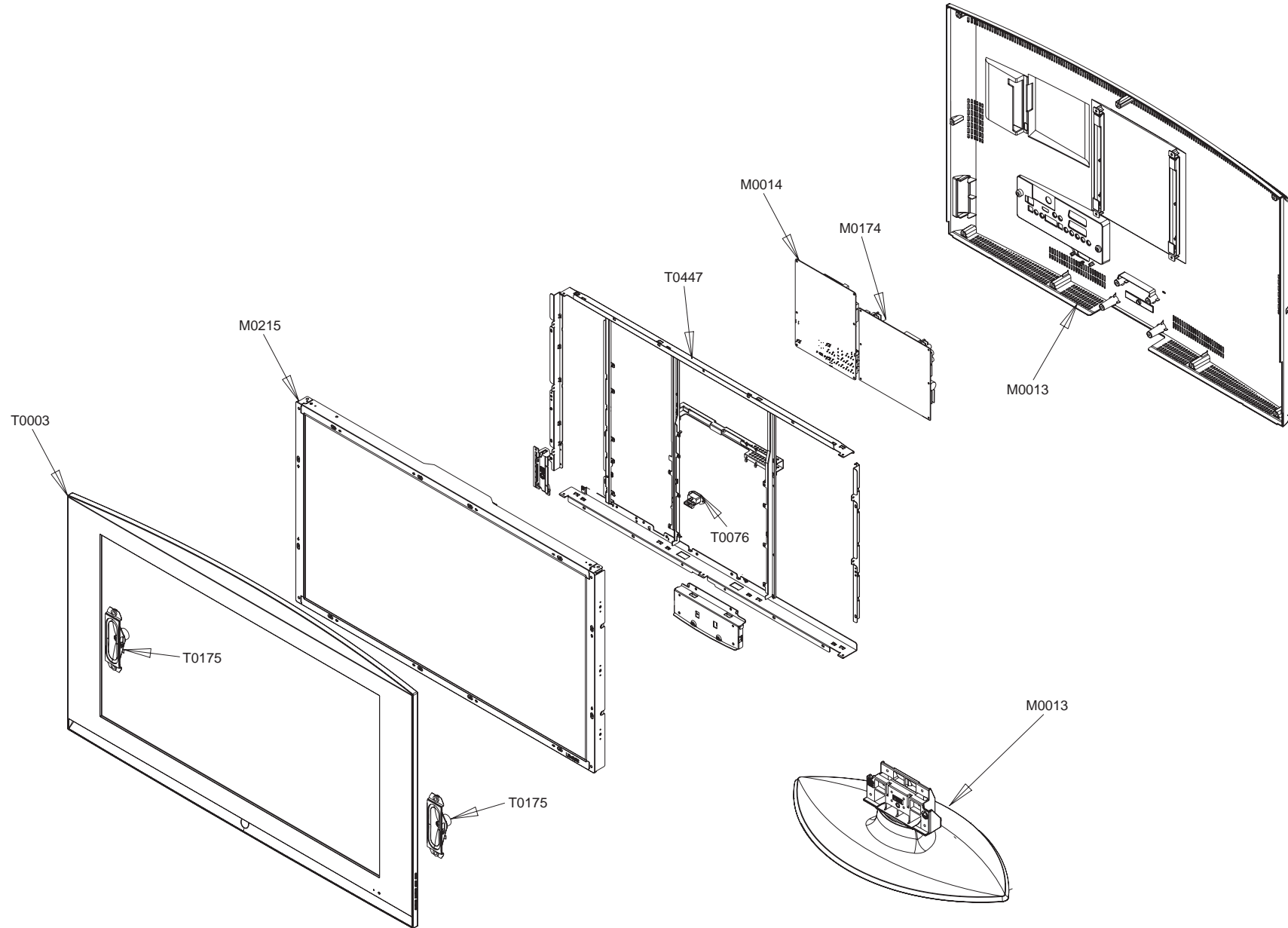


5 Exploded View & Parts List

5-6 LE37S71B Parts list

Location	Code.No	Item & Specification	Q'ty	SA/SNA	Remark
T0003	BN96-04044A	ASSY COVER P-FRONT;37S71,EO,ABS+PMMA,HB,	1	SA	
T0175	BN96-03247A	ASSY SPEAKER P;8ohm,Sonoma 32,Left,10W,N	1	SA	
T0175	BN96-03248A	ASSY SPEAKER P;8ohm,Sonoma 32,Right,10W,	1	SA	
M0215	BN07-00255A	LCD-PANEL;T370XW01,8bit,877.0*514.6*54.7	1	SA	
T0447	BN96-03253A	ASSY BRACKET P-PANEL;BORDEAUX-2,37,AUO,S	1	SNA	
T0076	BN39-00615D	CBF HARNESS;BORDEAUX,1617#22,3P,1P,RING,	1	SA	
M0014	BN94-01041A	ASSY PCB MAIN;LE37S71BX*	1	SA	
T0159	BN96-03050A	ASSY PCB P-SMPS;Bordeaux 37 PFC,LE37R71B	1	SA	
M0013	BN96-04045A	ASSY COVER P-REAR;37S71,EO,HIPS,HB,BK500	1	SA	
M0013	BN96-03697A	ASSY STAND P-BASE;SONOMA40,ABS+PMMA,HB,B	1	SA	

5-7 LE40S71B Exploded View



5 Exploded View & Parts List

5-8 LE40S71B Parts list

Location	Code.No	Item & Specification	Q'ty	SA/SNA	Remark
T0003	BN96-03394C	ASSY COVER P-FRONT;40T70,EO,ABS+PMMA,HB,	1	SA	
T0175	BN96-03247A	ASSY SPEAKER P;8ohm,Sonoma 32,Left,10W,N	1	SA	
T0175	BN96-03248A	ASSY SPEAKER P;8ohm,Sonoma 32,Right,10W,	1	SA	
M0215	BN07-00264A	LCD-PANEL;LTA400WT-L01,8bit,952*551*51.0	1	SA	
T0447	BN96-03528B	ASSY BRACKET P-PANEL;SONOMA,40EO,READY,S	1	SNA	
T0076	BN39-00615D	CBF HARNESS;BORDEAUX,1617#22,3P,1P,RING,	1	SA	
M0014	BN94-01033A	ASSY PCB MAIN;LE40S71BX	1	SA	
M0174	BN44-00134C	IP BOARD;PSIV230601A,40*BORDEAUX,2.0-3.0	1	SA	
M0013	BN96-03839A	ASSY COVER P-REAR;40T71,EO,HIPS,HB,BK500	1	SA	
M0013	BN96-03697A	ASSY STAND P-BASE;40T70,ABS+PMMA,HB,BK23	1	SA	