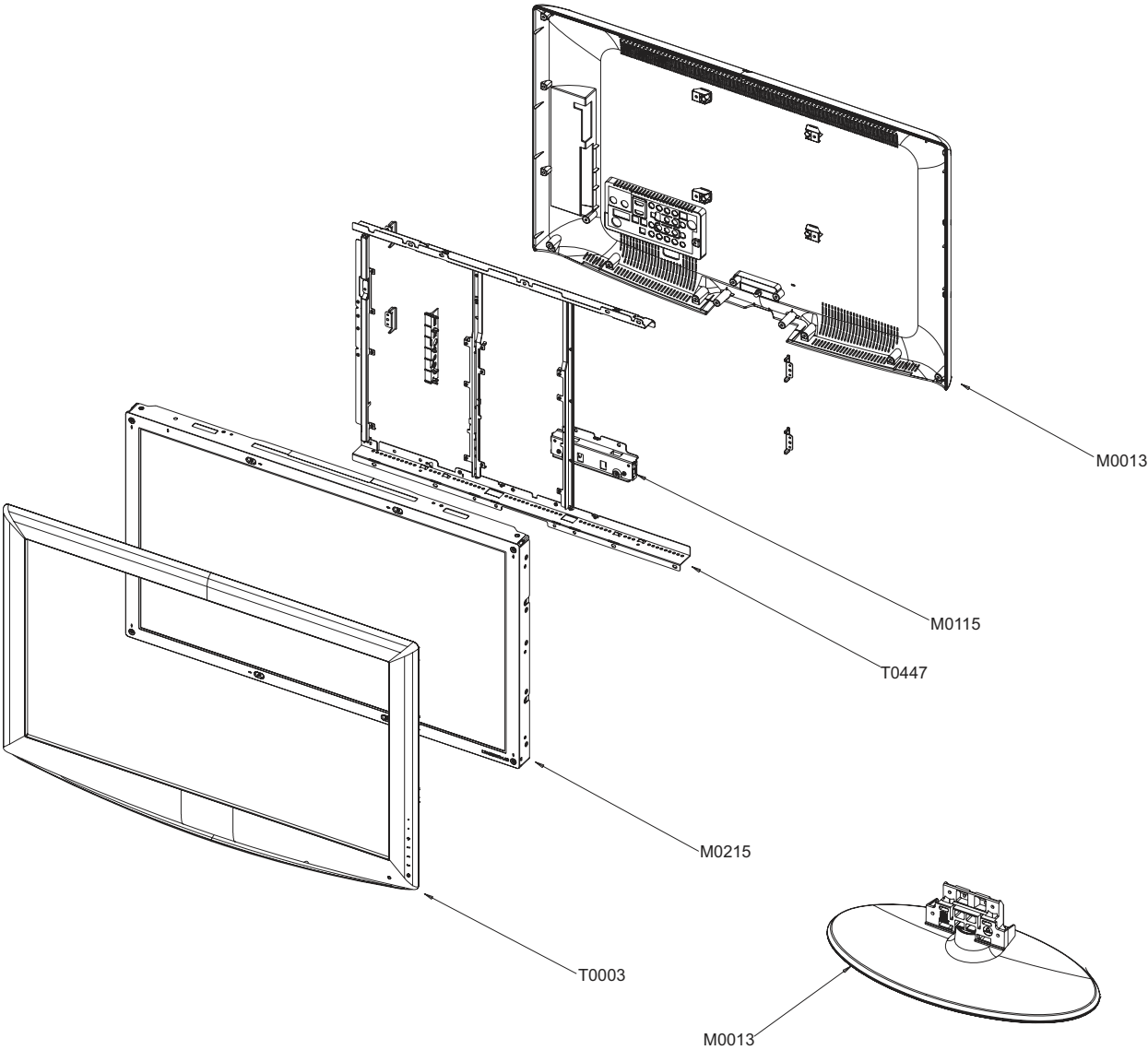


5-5 LE32R88BD Exploded View



5-6 LE32R88BD Parts list

Location	Code.No	Item & Specification	Q'ty	SA/SNA	Remark
T0003	BN96-04658U	ASSY COVER P-FRONT;32R88,EO(IDTV),ABS+PM	1	S.N.A	
T0175	BN96-04768B	ASSY SPEAKER P;8ohm,4pin,10W,150/650,Bor	1	S.A	
M0215	BN07-00385A	LCD-PANEL;LTA320WT-L07,8bit,32inch,16.7M	1	S.A	
T0447	BN96-04681A	ASSY BRACKET P-PANEL;32R81,-,-,-,AM,CM	1	S.N.A	
M0115	BN61-02965A	BRACKET-STAND LINK;32 BORDEAUX PLUS,SECC	1	S.N.A	
M0014	BN94-01327A	ASSY PCB MAIN-AMLCD;LE32R86BDX*	1	S.A	
M0013	BN96-04662A	ASSY STAND P-BASE;32R81,M81,SWIVEL,-,ABS	1	S.A	
M0013	BN96-04671A	ASSY COVER P-REAR;32R81,EO(IDTV),-,ABS+P	1	S.A	