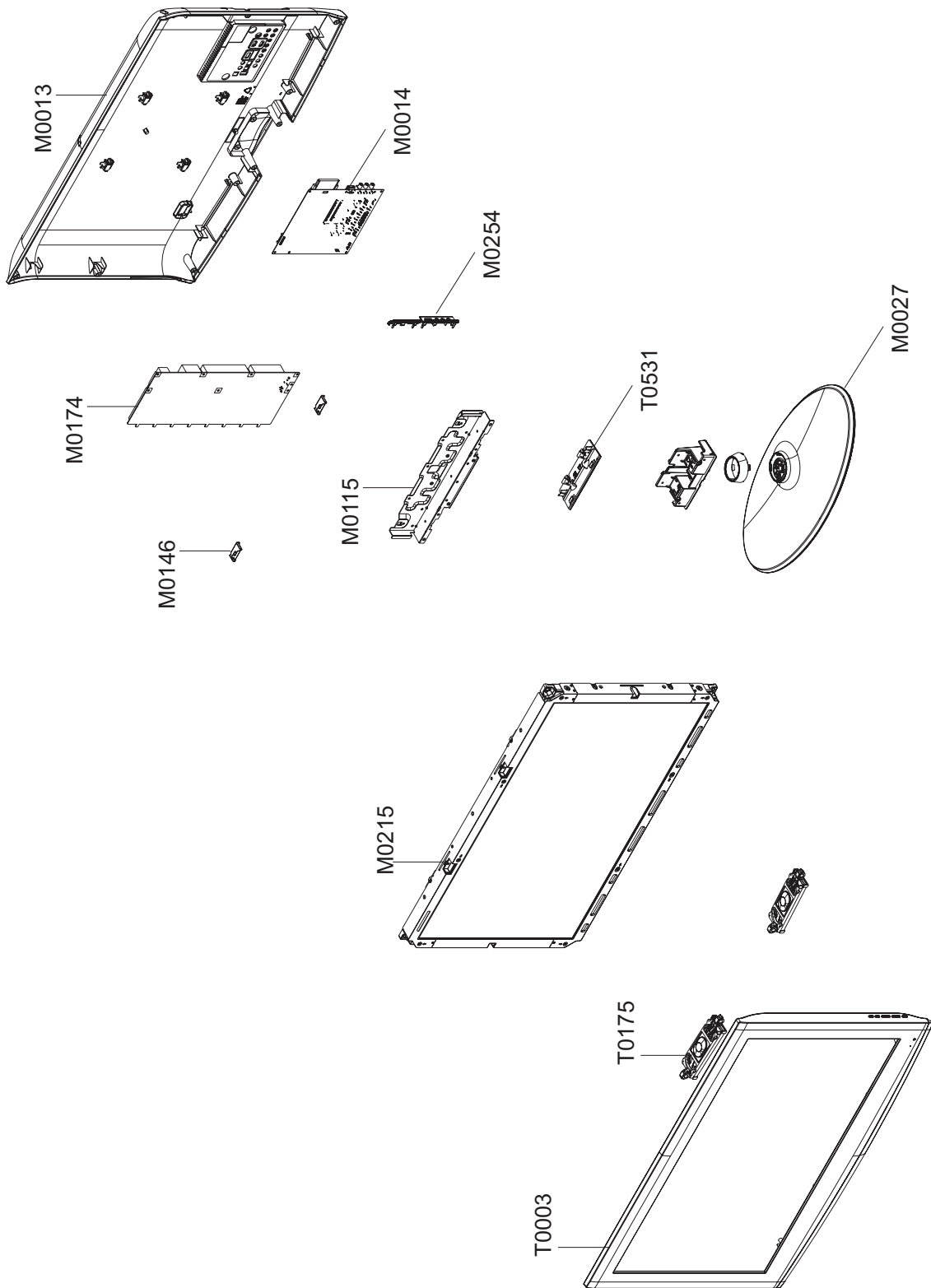


### 5-4. LE32B45\*\*\* Exploded View



**5-4-1. LE32B45\*\*\* Parts List**

Location No.	Code No.	Description & Specification	Q'ty	S.A/S.N.A	Remark
T0003	BN96-10019B	ASSY COVER P-FRONT;LB450 32,EO,ABS+PMMA,	1	S.A	
M0013	BN96-10027A	ASSY COVER P-REAR;LB450 32,EO,HIPS,HB,BK	1	S.A	
M0215	BN07-00674A	LCD-PANEL;LTF320AP03	1	S.A	
M0174	BN44-00260C	IP BOARD;FSP118_3PI01,H32HD_9FS,0.12mA,1	1	S.A	
M0146	BN61-04980A	BRACKET-PANEL TOP;B550-3 32,SECC,T1.2	2	S.N.A	
M0014	BN94-02690C	ASSY PCB MAIN;LE32B450C4WXXC	1	S.A	
M0254	BN61-04799A	HOLDER-SIDE AV;B450/B530,HIPS,HB,BK500,1	1	S.N.A	
T0175	BN96-09463A	ASSY SPEAKER P;8ohm,4pin,10W,R:200 / L:4	1	S.A	
T0531	BN63-05326B	COVER-BOTTOM;LB450 32,HIPS,HB,BK500	1	S.A	
M0115	BN61-04820A	BRACKET-STAND LINK;B650-32,SECC,T1.2	1	S.N.A	
M0027	BN96-06464A	ASSY STAND P-BASE;32L450,,ABS+PMMA,HB,BK	1	S.A	