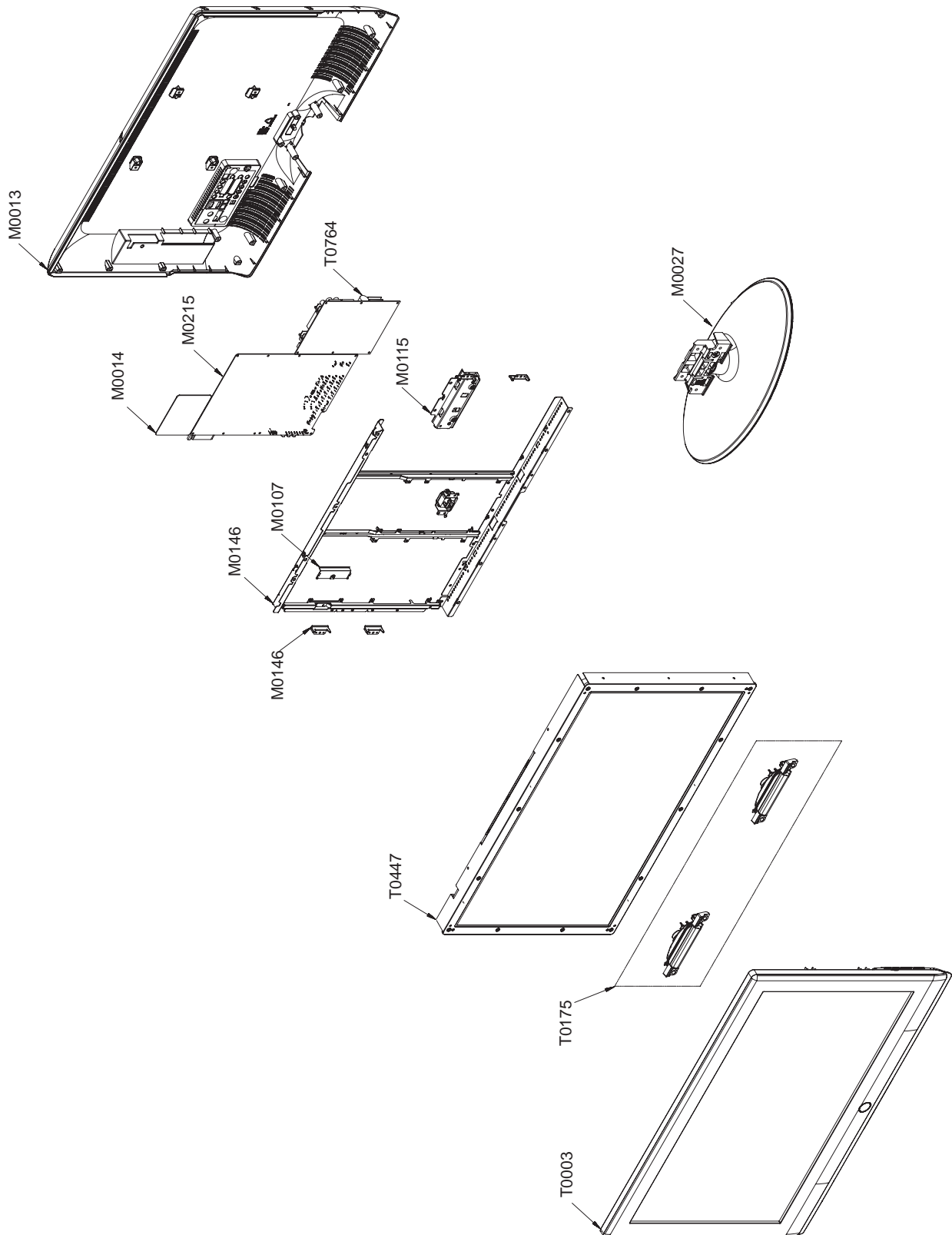


5. Exploded View & Part List

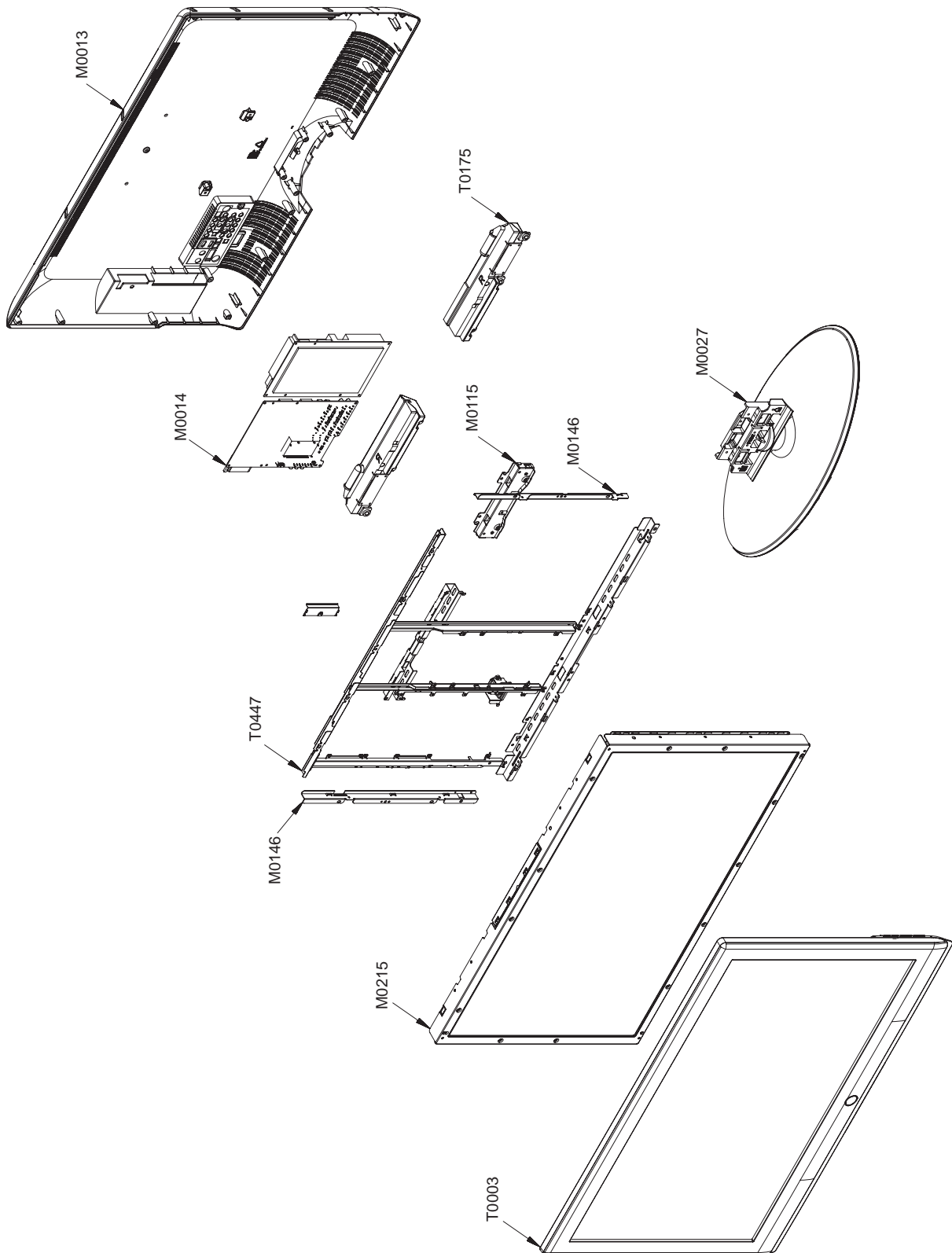
5-1. LE32A43*T** Exploded View



5-1-2. LE32A43*T Parts List**

Location No.	Code No.	Description & Specification	Q'ty	S.A/S.N.A	Remark
T0003	BN96-05318F	ASSY COVER P-FRONT;32,L430,EO(IDTV),ABS+	1	S.A	
M0215	BN07-00534A	LCD-PANEL;V315B1-L01 C4	1	S.A	
T0175	BN96-04773B	ASSY SPEAKER P;8ohm,4pin,Horn Type,10W,3	1	S.N.A	
T0447	BN96-05757A	ASSY BRACKET P-PANEL;-;32M81,-,-,-,-,SMP	1	S.N.A	
M0014	BN94-01680C	ASSY PCB MAIN-AUO;LE32A436T1DXXC,N51A	1	S.A	
M0107	BN63-04528A	SHIELD-COVER;450 EO,SPT,E,T0.3,PAL NORMA	1	S.N.A	
M0146	BN61-02970A	BRACKET-PANEL TOP;32 BORDEAUX PLUS,SECC,	1	S.N.A	
M0115	BN61-02965A	BRACKET-STAND LINK;32 BORDEAUX PLUS,SECC	1	S.A	
M0013	BN96-07501A	ASSY COVER P-REAR;32,L430,EO(IDTV),,HIPS	1	S.A	
M0027	BN96-04662B	ASSY STAND P-BASE;-;32R8,-,ABS+PMMA,BK23	1	S.A	

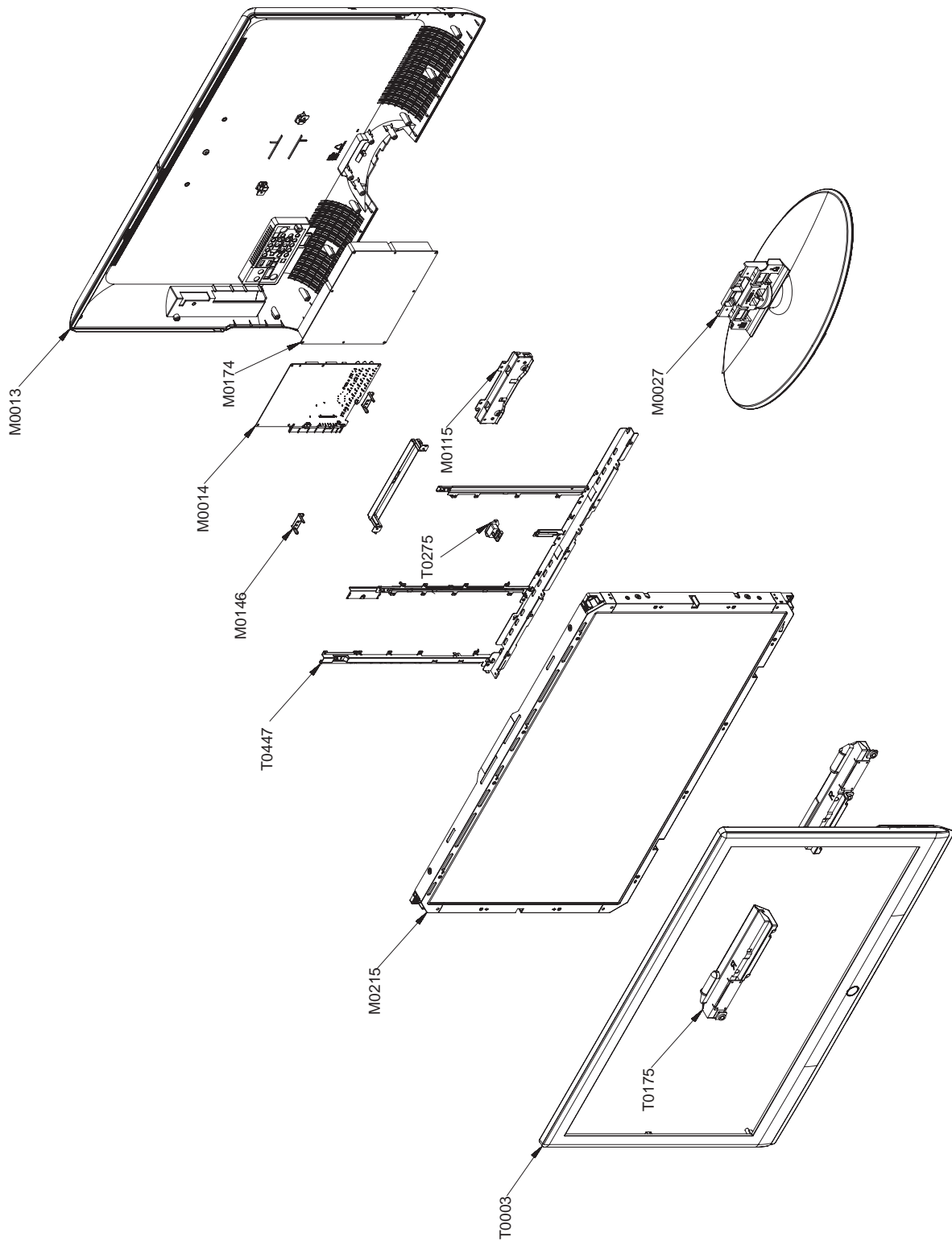
5-2. LE37A43*T** Exploded View



5-2-1. LE37A43*T Parts List**

Location No.	Code No.	Description & Specification	Q'ty	S.A/S.N.A	Remark
T0003	BN96-04637D	ASSY COVER P-FRONT;37L430,EO(IDTV),ABS+P	1	S.A	
M0215	BN07-00513A	LCD-PANEL;T370XW02 VC	1	S.A	
T0175	BN96-04771A	ASSY SPEAKER P;8ohm,4pin,Enclosure Type,	1	S.A	
T0447	BN96-04680C	ASSY BRACKET P-PANEL;-;37M87,AUO,NT,PAL,	1	S.N.A	
M0115	BN61-02882A	BRACKET-STAND LINK;TULIP,40,SECC,T1.6,-,	1	S.A	
M0146	BN61-02971A	BRACKET-PANEL TOP;37 BORDEAUX PLUS,SECC,	1	S.N.A	
M0014	BN94-01680B	ASSY PCB MAIN-AUO;LE37A436T1DXXC,N51A	1	S.A	
M0027	BN96-04640A	ASSY STAND P-BASE;-;37,40M81,-,ABS+PMMA,	1	S.A	
M0013	BN96-07500A	ASSY COVER P-REAR;37,L430,EO(IDTV),,HIPS	1	S.A	

5-3. LE40A43*T** Exploded View



5-3-1. LE40A43*T Parts List**

Location No.	Code No.	Description & Specification	Q'ty	S.A/S.N.A	Remark
T0003	BN96-04643P	ASSY COVER P-FRONT;40,L430,EO(IDTV),ABS+	1	S.A	
M0215	BN07-00523A	LCD-PANEL;T400XW01 V5	1	S.A	
T0175	BN96-04771A	ASSY SPEAKER P;8ohm,4pin,Enclosure Type,	1	S.A	
T0447	BN96-06960A	ASSY BRACKET P-PANEL;40A450C,SECC,T1.0,C	1	S.N.A	
M0115	BN61-02882A	BRACKET-STAND LINK;TULIP,40,SECC,T1.6,-,	1	S.A	
M0174	BN44-00197A	IP BOARD;SIP408A,PEARL,15mA,130mA,150Hz,	1	S.A	
M0146	BN61-02887A	BRACKET-PANEL TOP;TULIP,40,SECC,T1.2,-,-	2	S.N.A	
M0027	BN96-04640A	ASSY STAND P-BASE;- ,37,40M81,-,ABS+PMMA,	1	S.A	
M0013	BN96-06256A	ASSY COVER P-REAR;40L430,EO(iDTV),HIPS,H	1	S.A	

5-4. LE32A43*T** Parts List

Level	Location No.	Code No.	Description & Specification	Q'ty	SA/SNA	Remark
		LE32A437T2DXXC	LE32A437T2D,N51A/32M80-GTN,32,LCD-TV,SPA			
0.1	M0216	BN90-01149A	ASSY STAND;32R81,M81,SWIVEL,-,-,-,-	1	S.N.A	
..2	M0027	BN96-04662B	ASSY STAND P-BASE;- ,32R8,-,ABS+PMMA,BK23	1	S.A	
...3	T0524	6902-000241	BAG PE;NITRON/HDPE,T0.5/T0.012,W600,L600	1	S.N.A	
...3	M0027	BN96-04662A	ASSY STAND P-BASE;- ,32R81,M81,SWIVEL,-,A	1	S.A	
....4	T0081	6002-001294	SCREW-TAPPING;BH,+,,M4,L16,ZPC(BLK)	4	S.A	
....4	M0081	6003-001239	SCREW-TAPTITE;FH,+,-,B,M4,L10,ZPC(WHT),S	4	S.A	
....4		BN61-02232A	HOLDER-SWIVEL RING;32R71,ACETAL NATUAL,N	1	S.N.A	
....4		BN61-02233A	HOLDER-SWIVEL RING;32R71,ACETAL NATUAL,N	1	S.N.A	
....4		BN61-02236A	BRACKET-HINGE SWIVEL;BORDEAUX 32,SECC,T1	1	S.N.A	
....4		BN61-02942A	BRACKET-STAND BOTTOM;32,BORDEAUX PLUS,SE	1	S.N.A	
....4	T0920	BN61-02943A	GUIDE-STAND;32R81,ABS,V0(NT),-,-,-,BK500	1	S.N.A	
....5		BN61-02967A	BRACKET-SUPPORT STAND;32 BORDEAUX PLUS,S	1	S.N.A	
....5	T0514	BN61-03046A	BRACKET-SUPPORT;32 BORDEAUX PLUS,SECC,2.	1	S.N.A	
....5		BN81-00204R	RESIN;NT-7200,K2901,ABS V0,BK19,-,-,-	0.185	S.N.A	
....4	CCM1	BN63-02183D	COVER-SHEET;Rhcm,PE Vinyl,T0.05,680mm,20	0.4	S.N.A	
....4	T0004	BN63-03102A	COVER-STAND BASE;32R81,ABS+PMMA,-,-,-,HB	1	S.N.A	
....5		BN81-00204P	RESIN-HIGH GLOSS;SF-0505,K21294,ABS HB P	0.424	S.N.A	
....4	M0126	BN73-00052C	RUBBER-FOOT;LCD TV,CR RUBBER,T2.0 DIA19,	4	S.N.A	
0.1	M0001	BN90-01613C	ASSY COVER FRONT;32,L430,EO(IDTV),DECO S	1	S.N.A	
..2	T0175	BN96-04773B	ASSY SPEAKER P;8ohm,4pin,Horn Type,10W,3	1	S.A	
..2	T0003	BN96-05318F	ASSY COVER P-FRONT;32,L430,EO(IDTV),ABS+	1	S.A	
...3	M0081	6003-000275	SCREW-TAPTITE;BH,+,-,B,M3,L10,ZPC(BLK),S	3	S.N.A	
...3	M0081	6003-001188	SCREW-TAPTITE;BH,+,-,B,M4,L10,ZPC(WHT),S	2	S.A	
...3	T0069	AA60-00091J	SPACER-FELT;- ,FELT,330X10,-,-,BLK,T0.5,-	2	S.N.A	
...3	T0069	AA60-00091R	SPACER-FELT;FELT,250X10,,BLK,T0.5,,	2	S.N.A	
...3	CCM1	BN63-02183E	COVER-SHEET;Rhcm,PE Vinyl,T0.05,750mm,20	0.691	S.N.A	
...3		BN63-03035F	COVER-DECORATION LEFT;40,L430,ABS,HB,IV-	1	S.N.A	
...3		BN63-03036F	COVER-DECORATION RIGHT;40,L430,ABS,HB,IV	1	S.N.A	
...3	M0112	BN63-03190A	COVER-FRONT;32M81,EO(IDTV),ABS+PMMA,-,-,	1	S.N.A	
....4		BN81-00204P	RESIN-HIGH GLOSS;SF-0505,K21294,ABS HB P	0.891	S.N.A	
...3	T0022	BN64-00550D	KNOB CONTROL;40,L430,ABS,HB,IV-16,SV-012	1	S.N.A	
...3	M0146	BN96-04884B	ASSY BOARD P-POWER & IR;LNT3242HX/XAA,CT	1	S.A	
...3	M0145	BN96-04901A	ASSY BOARD P-FUNCTION;LNT3771FD,CT5000-4	1	S.A	
...3	M0025	BN96-05319D	ASSY DECORATION P;32,L430,ABS,HB,IV-16,S	1	S.N.A	
....4	T0060	BN61-01655A	SPRING ETC;STS-304 SUS,D8,L12,T0.5	1	S.N.A	
....4		BN61-03261A	BOSS-TAPE;Tulip,ACRYL,T1.1,W12mm,GRAY,TA	0.048	S.N.A	
....4		BN61-03261C	BOSS-TAPE;Tulip,ACRYL,T1.1,W24mm,GRAY,TA	0.7	S.N.A	
....4	T0056	BN63-03191D	COVER-DECORATION;32,L430,ABS,HB,IV-16,SV	1	S.N.A	
....5		BN81-00112A	RESIN-C/F;ABS-HB,GR70,HF-0680U,G6757	0.223	S.N.A	
....4	T0056	BN63-03230A	COVER-DECORATION;32M81,ABS+PMMA,-,-,-,HB	1	S.N.A	
....5		BN81-00204P	RESIN-HIGH GLOSS;SF-0505,K21294,ABS HB P	0.015	S.N.A	
....4	T0059	BN64-00366A	INDICATOR LED;ROME-I,PC,CLEAR,ALL MODEL	1	S.N.A	
....4	T0023	BN64-00548A	KNOB POWER;TULIP40,PC VIOLET,V0	1	S.N.A	
....4	T0054	BN64-00549A	KNOB-DECORATION;40M81,ABS,-,-,-,HB,IV-16	1	S.N.A	

5. Exploded View & Part List

Level	Location No.	Code No.	Description & Specification	Q'ty	SA/SNA	Remark
0.1	M0002	BN90-01615A	ASSY COVER REAR;32,L430,EO(IDTV),TANZANI	1	S.N.A	
..2	T0081	6002-001294	SCREW-TAPPING;BH,+,,M4,L16,ZPC(BLK)	2	S.A	
..2	T0081	6002-001294	SCREW-TAPPING;BH,+,,M4,L16,ZPC(BLK)	13	S.A	
..2	M0013	BN96-07501A	ASSY COVER P-REAR;32,L430,EO(IDTV),,HIPS	1	S.A	
...3	M0081	6003-001188	SCREW-TAPTITE;BH,+,-,B,M4,L10,ZPC(WHT),S	4	S.A	
...3	T0101	BN61-03348A	BRACKET-WALL;LCD TV 32,SECC T1.2,-,-,-,-	4	S.N.A	
...3	M0006	BN63-04423A	COVER-REAR;32,L430,EO(IDTV),HIPS,-,-,-,H	1	S.N.A	
...4		BN81-00199H	RESIN;HIPS HB,BK500,HF-1690H,K2901	2.861	S.N.A	
...3	T0071	BN64-00819A	INLAY-TERMINAL;L330/L430,EO(IDTV),PS SHE	1	S.N.A	
...3	T0064	BN65-00002A	CLAMPER CORE;BORDEAUX,LDPE,-,-,BLK,-	1	S.N.A	
0.1	M0017	BN91-02062C	ASSY CHASSIS;LE32A436T1DXXC,N51A	1	S.N.A	
..2	M0014	BN94-01680C	ASSY PCB MAIN-CMO;LE32A436T1DXXC,N51A	1	S.A	
...3	T0245	0202-001608	SOLDER-WIRE FLUX;LFC7-107,D0.8,99.3Sn/0.	0.25	S.N.A	
...3	JA3003_3H	3701-001388	CONNECTOR-HDMI;20P,Phosphor Bronze,ANGLE	1	S.A	
...3	JA3004	3701-001480	CONNECTOR-DSUB;15P,3R,FEMAIL,STAMPED PIN	1	S.A	
...3	CN906	3707-001081	CONNECTOR-OPTICAL;STRAIGHT,SPDIF	1	S.A	
...3	CN330	3711-000058	HEADER-BOARD TO CABLE;BOX,4P,1R,2.5MM,AN	1	S.A	
...3	CN330	3711-004484	HEADER-BOARD TO CABLE;BOX,5P,1R,2mm,STRA	1	S.A	
...3	CN330	3711-004531	HEADER-BOARD TO CABLE;BOX,10P,1R,2mm,ANG	1	S.A	
...3	CN330	3711-005842	HEADER-BOARD TO CABLE;BOX,24P,2R,2MM,STR	1	S.A	
...3	JA330	3722-001061	JACK-PHONE;1P,3.6PI,AG,BLK,N	1	S.A	
...3	JA330	3722-001061	JACK-PHONE;1P,3.6PI,AG,BLK,N	1	S.A	
...3	CN3214_SV	3722-002275	JACK-DIN;4P,-,SN,BLK,-	1	S.A	
...3	JA3204_SH	3722-002680	JACK-EAR PHONE;6P,NiSn,BLK,ANGLE	1	S.A	
...3	JA3201	3722-002681	JACK-SCART;42P,SN,BLK	1	S.A	
...3	JA333	3722-002690	JACK-PIN;3P,Ni,RED/WHT/YEL,ANGLE	1	S.A	
...3	JA333	3722-002691	JACK-PIN;2P,Ni,WHT/RED,STRAIGHT	1	S.A	
...3	JA333	3722-002691	JACK-PIN;2P,Ni,WHT/RED,STRAIGHT	1	S.A	
...3	JA333	3722-002691	JACK-PIN;2P,Ni,WHT/RED,STRAIGHT	1	S.A	
...3	JA333	3722-002703	JACK-PIN;3P,Ni,GRN/BLU/RED,STRAIGHT	1	S.A	
...3	CIS3	BN40-00120A	TUNER;TDHG6-K10A,TDHG6-K10A,DVB-T,181CH,	1	S.A	
...3	HDCP	BN97-00688A	ASSY HDCP;BN46-00018A,PS-42V6S,D73A,GENE	1	S.N.A	
...4		BN46-00018A	KEY CODE-CERTIFICATE;(HDCP KEY)PPM42M5S,	1	S.N.A	
...3	T0174	BN97-02074C	ASSY SMD;LE32A436T1DXXC,N51A	1	S.N.A	
...4	SUB05	0202-001477	SOLDER-CREAM;LST309-M,-,D20-45##,96.5Sn/	3.137	S.N.A	
...4	D2001	0401-000133	DIODE-SWITCHING;RLS4148,75V,150mA,LL-34,	1	S.A	
...4	D2002	0401-000133	DIODE-SWITCHING;RLS4148,75V,150mA,LL-34,	1	S.A	
...4	D2003	0401-000133	DIODE-SWITCHING;RLS4148,75V,150mA,LL-34,	1	S.A	
...4	D2009	0401-000133	DIODE-SWITCHING;RLS4148,75V,150mA,LL-34,	1	S.A	
...4	D2012	0401-000133	DIODE-SWITCHING;RLS4148,75V,150mA,LL-34,	1	S.A	
...4	D2015	0401-000133	DIODE-SWITCHING;RLS4148,75V,150mA,LL-34,	1	S.A	
...4	D1004	0401-001056	DIODE-SWITCHING;MMBD4148SE,100V,200mA,SO	1	S.A	
...4	D3003	0401-001056	DIODE-SWITCHING;MMBD4148SE,100V,200mA,SO	1	S.A	
...4	D3004	0401-001056	DIODE-SWITCHING;MMBD4148SE,100V,200mA,SO	1	S.A	
...4	D3006	0401-001056	DIODE-SWITCHING;MMBD4148SE,100V,200mA,SO	1	S.A	
...4	D3007	0401-001056	DIODE-SWITCHING;MMBD4148SE,100V,200mA,SO	1	S.A	
...4	D3008	0401-001056	DIODE-SWITCHING;MMBD4148SE,100V,200mA,SO	1	S.A	
...4	D3009	0401-001056	DIODE-SWITCHING;MMBD4148SE,100V,200mA,SO	1	S.A	
...4	D3010	0401-001056	DIODE-SWITCHING;MMBD4148SE,100V,200mA,SO	1	S.A	
...4	D3011	0401-001056	DIODE-SWITCHING;MMBD4148SE,100V,200mA,SO	1	S.A	

5. Exploded View & Part List

Level	Location No.	Code No.	Description & Specification	Q'ty	SA/SNA	Remark
...4	D3012	0401-001056	DIODE-SWITCHING;MMBD4148SE,100V,200mA,SO	1	S.A	
...4	D3013	0401-001056	DIODE-SWITCHING;MMBD4148SE,100V,200mA,SO	1	S.A	
...4	D3016	0401-001056	DIODE-SWITCHING;MMBD4148SE,100V,200mA,SO	1	S.A	
...4	D3017	0401-001056	DIODE-SWITCHING;MMBD4148SE,100V,200mA,SO	1	S.A	
...4	D3019	0401-001056	DIODE-SWITCHING;MMBD4148SE,100V,200mA,SO	1	S.A	
...4	D3021	0401-001056	DIODE-SWITCHING;MMBD4148SE,100V,200mA,SO	1	S.A	
...4	D3022	0401-001056	DIODE-SWITCHING;MMBD4148SE,100V,200mA,SO	1	S.A	
...4	D3023	0401-001056	DIODE-SWITCHING;MMBD4148SE,100V,200mA,SO	1	S.A	
...4	D3024	0401-001056	DIODE-SWITCHING;MMBD4148SE,100V,200mA,SO	1	S.A	
...4	D3025	0401-001056	DIODE-SWITCHING;MMBD4148SE,100V,200mA,SO	1	S.A	
...4	D3026	0401-001056	DIODE-SWITCHING;MMBD4148SE,100V,200mA,SO	1	S.A	
...4	D3027	0401-001056	DIODE-SWITCHING;MMBD4148SE,100V,200mA,SO	1	S.A	
...4	D3030_3H	0401-001056	DIODE-SWITCHING;MMBD4148SE,100V,200mA,SO	1	S.A	
...4	D3031_3H	0401-001056	DIODE-SWITCHING;MMBD4148SE,100V,200mA,SO	1	S.A	
...4	D3034_3H	0401-001056	DIODE-SWITCHING;MMBD4148SE,100V,200mA,SO	1	S.A	
...4	D3035_3H	0401-001056	DIODE-SWITCHING;MMBD4148SE,100V,200mA,SO	1	S.A	
...4	D3036_3H	0401-001056	DIODE-SWITCHING;MMBD4148SE,100V,200mA,SO	1	S.A	
...4	D3037_3H	0401-001056	DIODE-SWITCHING;MMBD4148SE,100V,200mA,SO	1	S.A	
...4	D3038_3H	0401-001056	DIODE-SWITCHING;MMBD4148SE,100V,200mA,SO	1	S.A	
...4	D3039_3H	0401-001056	DIODE-SWITCHING;MMBD4148SE,100V,200mA,SO	1	S.A	
...4	D3040_3H	0401-001056	DIODE-SWITCHING;MMBD4148SE,100V,200mA,SO	1	S.A	
...4	D3041_3H	0401-001056	DIODE-SWITCHING;MMBD4148SE,100V,200mA,SO	1	S.A	
...4	D3045	0401-001056	DIODE-SWITCHING;MMBD4148SE,100V,200mA,SO	1	S.A	
...4	D3046	0401-001056	DIODE-SWITCHING;MMBD4148SE,100V,200mA,SO	1	S.A	
...4	D3047	0401-001056	DIODE-SWITCHING;MMBD4148SE,100V,200mA,SO	1	S.A	
...4	D3061	0401-001056	DIODE-SWITCHING;MMBD4148SE,100V,200mA,SO	1	S.A	
...4	D3062	0401-001056	DIODE-SWITCHING;MMBD4148SE,100V,200mA,SO	1	S.A	
...4	D3064	0401-001056	DIODE-SWITCHING;MMBD4148SE,100V,200mA,SO	1	S.A	
...4	D3066	0401-001056	DIODE-SWITCHING;MMBD4148SE,100V,200mA,SO	1	S.A	
...4	D3078	0401-001056	DIODE-SWITCHING;MMBD4148SE,100V,200mA,SO	1	S.A	
...4	D3202	0401-001056	DIODE-SWITCHING;MMBD4148SE,100V,200mA,SO	1	S.A	
...4	D3203	0401-001056	DIODE-SWITCHING;MMBD4148SE,100V,200mA,SO	1	S.A	
...4	D3204	0401-001056	DIODE-SWITCHING;MMBD4148SE,100V,200mA,SO	1	S.A	
...4	D3205	0401-001056	DIODE-SWITCHING;MMBD4148SE,100V,200mA,SO	1	S.A	
...4	D3206	0401-001056	DIODE-SWITCHING;MMBD4148SE,100V,200mA,SO	1	S.A	
...4	D3207	0401-001056	DIODE-SWITCHING;MMBD4148SE,100V,200mA,SO	1	S.A	
...4	D3217	0401-001056	DIODE-SWITCHING;MMBD4148SE,100V,200mA,SO	1	S.A	
...4	D3218	0401-001056	DIODE-SWITCHING;MMBD4148SE,100V,200mA,SO	1	S.A	
...4	D3219	0401-001056	DIODE-SWITCHING;MMBD4148SE,100V,200mA,SO	1	S.A	
...4	D3230_SA	0401-001056	DIODE-SWITCHING;MMBD4148SE,100V,200mA,SO	1	S.A	
...4	D3236_SH	0401-001056	DIODE-SWITCHING;MMBD4148SE,100V,200mA,SO	1	S.A	
...4	D1002	0401-001099	DIODE-SWITCHING;1N4148WS,75V,150mA,SOD-3	1	S.A	
...4	D2019	0401-001099	DIODE-SWITCHING;1N4148WS,75V,150mA,SOD-3	1	S.A	
...4	D3063	0401-001099	DIODE-SWITCHING;1N4148WS,75V,150mA,SOD-3	1	S.A	
...4	D3065	0401-001099	DIODE-SWITCHING;1N4148WS,75V,150mA,SOD-3	1	S.A	
...4	D3067	0401-001099	DIODE-SWITCHING;1N4148WS,75V,150mA,SOD-3	1	S.A	
...4	D3077	0401-001099	DIODE-SWITCHING;1N4148WS,75V,150mA,SOD-3	1	S.A	
...4	D3079	0401-001099	DIODE-SWITCHING;1N4148WS,75V,150mA,SOD-3	1	S.A	
...4	D3080_3H	0401-001099	DIODE-SWITCHING;1N4148WS,75V,150mA,SOD-3	1	S.A	
...4	D3244_SH	0401-001099	DIODE-SWITCHING;1N4148WS,75V,150mA,SOD-3	1	S.A	
...4	D2008	0403-000002	DIODE-ZENER;VLZ5V6B,5.45/5.73V,500mW,SOD	1	S.A	

5. Exploded View & Part List

Level	Location No.	Code No.	Description & Specification	Q'ty	SA/SNA	Remark
...4	D3020	0403-000002	DIODE-ZENER;VLZ5V6B,5.45/5.73V,500mW,SOD	1	S.A	
...4	D3033_3H	0403-000002	DIODE-ZENER;VLZ5V6B,5.45/5.73V,500mW,SOD	1	S.A	
...4	D3048	0403-000002	DIODE-ZENER;VLZ5V6B,5.45/5.73V,500mW,SOD	1	S.A	
...4	D3049	0403-000002	DIODE-ZENER;VLZ5V6B,5.45/5.73V,500mW,SOD	1	S.A	
...4	D3050	0403-000002	DIODE-ZENER;VLZ5V6B,5.45/5.73V,500mW,SOD	1	S.A	
...4	D3051	0403-000002	DIODE-ZENER;VLZ5V6B,5.45/5.73V,500mW,SOD	1	S.A	
...4	D3052	0403-000002	DIODE-ZENER;VLZ5V6B,5.45/5.73V,500mW,SOD	1	S.A	
...4	D3074	0403-000002	DIODE-ZENER;VLZ5V6B,5.45/5.73V,500mW,SOD	1	S.A	
...4	D5001	0403-000002	DIODE-ZENER;VLZ5V6B,5.45/5.73V,500mW,SOD	1	S.A	
...4	D3070	0403-000258	DIODE-ZENER;BZX84C5V6,5.2-6V,225mW,SOT-2	1	S.A	
...4	D3216	0403-000607	DIODE-ZENER;VLZ16C,15.69/16.51V,500mW,SO	1	S.A	
...4	D3229	0403-000607	DIODE-ZENER;VLZ16C,15.69/16.51V,500mW,SO	1	S.A	
...4	D3002	0403-000771	DIODE-ZENER;VLZ6V2B,5.96-6.27V,500mW,SOD	1	S.A	
...4	D3015	0403-000771	DIODE-ZENER;VLZ6V2B,5.96-6.27V,500mW,SOD	1	S.A	
...4	D3029_3H	0403-000771	DIODE-ZENER;VLZ6V2B,5.96-6.27V,500mW,SOD	1	S.A	
...4	D3042	0403-000771	DIODE-ZENER;VLZ6V2B,5.96-6.27V,500mW,SOD	1	S.A	
...4	D5002	0403-000771	DIODE-ZENER;VLZ6V2B,5.96-6.27V,500mW,SOD	1	S.A	
...4	D3001	0403-001052	DIODE-ZENER;RD8.2MB,7.7-8.7V,200mW,SOT-2	1	S.A	
...4	D3014	0403-001052	DIODE-ZENER;RD8.2MB,7.7-8.7V,200mW,SOT-2	1	S.A	
...4	D3028_3H	0403-001052	DIODE-ZENER;RD8.2MB,7.7-8.7V,200mW,SOT-2	1	S.A	
...4	D3208_SV	0403-001052	DIODE-ZENER;RD8.2MB,7.7-8.7V,200mW,SOT-2	1	S.A	
...4	D5201	0403-001052	DIODE-ZENER;RD8.2MB,7.7-8.7V,200mW,SOT-2	1	S.A	
...4	D1005	0403-001425	DIODE-ZENER;BZX84C33,31-35V,350mW,SOT-23	1	S.A	
...4	D0254	0404-001271	DIODE-SCHOTTKY;SSA34,40V,3000mA,SMA,TP	1	S.A	
...4	D3053	0406-001172	DIODE-TVS;CDS3C30GTH,48/-/50V,SMD	1	S.A	
...4	D3054	0406-001172	DIODE-TVS;CDS3C30GTH,48/-/50V,SMD	1	S.A	
...4	D3055	0406-001172	DIODE-TVS;CDS3C30GTH,48/-/50V,SMD	1	S.A	
...4	D3056	0406-001172	DIODE-TVS;CDS3C30GTH,48/-/50V,SMD	1	S.A	
...4	D3057	0406-001172	DIODE-TVS;CDS3C30GTH,48/-/50V,SMD	1	S.A	
...4	D3058	0406-001172	DIODE-TVS;CDS3C30GTH,48/-/50V,SMD	1	S.A	
...4	D3068	0406-001172	DIODE-TVS;CDS3C30GTH,48/-/50V,SMD	1	S.A	
...4	D3069	0406-001172	DIODE-TVS;CDS3C30GTH,48/-/50V,SMD	1	S.A	
...4	D3212	0406-001172	DIODE-TVS;CDS3C30GTH,48/-/50V,SMD	1	S.A	
...4	D3213	0406-001172	DIODE-TVS;CDS3C30GTH,48/-/50V,SMD	1	S.A	
...4	D3214	0406-001172	DIODE-TVS;CDS3C30GTH,48/-/50V,SMD	1	S.A	
...4	D3215	0406-001172	DIODE-TVS;CDS3C30GTH,48/-/50V,SMD	1	S.A	
...4	D3220	0406-001172	DIODE-TVS;CDS3C30GTH,48/-/50V,SMD	1	S.A	
...4	D3221	0406-001172	DIODE-TVS;CDS3C30GTH,48/-/50V,SMD	1	S.A	
...4	D3222	0406-001172	DIODE-TVS;CDS3C30GTH,48/-/50V,SMD	1	S.A	
...4	D3223	0406-001172	DIODE-TVS;CDS3C30GTH,48/-/50V,SMD	1	S.A	
...4	D3224	0406-001172	DIODE-TVS;CDS3C30GTH,48/-/50V,SMD	1	S.A	
...4	D3225	0406-001172	DIODE-TVS;CDS3C30GTH,48/-/50V,SMD	1	S.A	
...4	D3226	0406-001172	DIODE-TVS;CDS3C30GTH,48/-/50V,SMD	1	S.A	
...4	D3227	0406-001172	DIODE-TVS;CDS3C30GTH,48/-/50V,SMD	1	S.A	
...4	D3228	0406-001172	DIODE-TVS;CDS3C30GTH,48/-/50V,SMD	1	S.A	
...4	D3231_SA	0406-001172	DIODE-TVS;CDS3C30GTH,48/-/50V,SMD	1	S.A	
...4	D3232_SA	0406-001172	DIODE-TVS;CDS3C30GTH,48/-/50V,SMD	1	S.A	
...4	D3233_SA	0406-001172	DIODE-TVS;CDS3C30GTH,48/-/50V,SMD	1	S.A	
...4	D3237_SH	0406-001172	DIODE-TVS;CDS3C30GTH,48/-/50V,SMD	1	S.A	
...4	D3238_SH	0406-001172	DIODE-TVS;CDS3C30GTH,48/-/50V,SMD	1	S.A	
...4	D3239_SV	0406-001172	DIODE-TVS;CDS3C30GTH,48/-/50V,SMD	1	S.A	

5. Exploded View & Part List

Level	Location No.	Code No.	Description & Specification	Q'ty	SA/SNA	Remark
...4	D3240_SV	0406-001172	DIODE-TVS;CDS3C30GTH,48/-/50V,SMD	1	S.A	
...4	D2013	0407-000123	DIODE-ARRAY;DAN202K,80V,100mA,CA2-3,SOT-	1	S.A	
...4	D3071	0407-000123	DIODE-ARRAY;DAN202K,80V,100mA,CA2-3,SOT-	1	S.A	
...4	D3072	0407-000123	DIODE-ARRAY;DAN202K,80V,100mA,CA2-3,SOT-	1	S.A	
...4	D7201	0407-000123	DIODE-ARRAY;DAN202K,80V,100mA,CA2-3,SOT-	1	S.A	
...4	D7202	0407-000123	DIODE-ARRAY;DAN202K,80V,100mA,CA2-3,SOT-	1	S.A	
...4	D7203	0407-000123	DIODE-ARRAY;DAN202K,80V,100mA,CA2-3,SOT-	1	S.A	
...4	D7204	0407-000123	DIODE-ARRAY;DAN202K,80V,100mA,CA2-3,SOT-	1	S.A	
...4	D7205	0407-000123	DIODE-ARRAY;DAN202K,80V,100mA,CA2-3,SOT-	1	S.A	
...4	D7206	0407-000123	DIODE-ARRAY;DAN202K,80V,100mA,CA2-3,SOT-	1	S.A	
...4	Q7001	0501-000002	TR-SMALL SIGNAL;KSA812,PNP,150MW,SOT-23,	1	S.A	
...4	Q7002	0501-000002	TR-SMALL SIGNAL;KSA812,PNP,150MW,SOT-23,	1	S.A	
...4	Q7402	0501-000434	TR-SMALL SIGNAL;KTC3875S-GR,NPN,150mW,SO	1	S.A	
...4	Q1001	0501-000445	TR-SMALL SIGNAL;KTC3875S-Y,NPN,150mW,SOT	1	S.A	
...4	Q1002_L	0501-000445	TR-SMALL SIGNAL;KTC3875S-Y,NPN,150mW,SOT	1	S.A	
...4	Q2001	0501-000445	TR-SMALL SIGNAL;KTC3875S-Y,NPN,150mW,SOT	1	S.A	
...4	Q2002	0501-000445	TR-SMALL SIGNAL;KTC3875S-Y,NPN,150mW,SOT	1	S.A	
...4	Q2003	0501-000445	TR-SMALL SIGNAL;KTC3875S-Y,NPN,150mW,SOT	1	S.A	
...4	Q2004	0501-000445	TR-SMALL SIGNAL;KTC3875S-Y,NPN,150mW,SOT	1	S.A	
...4	Q2007	0501-000445	TR-SMALL SIGNAL;KTC3875S-Y,NPN,150mW,SOT	1	S.A	
...4	Q2008	0501-000445	TR-SMALL SIGNAL;KTC3875S-Y,NPN,150mW,SOT	1	S.A	
...4	Q2009	0501-000445	TR-SMALL SIGNAL;KTC3875S-Y,NPN,150mW,SOT	1	S.A	
...4	Q3006	0501-000445	TR-SMALL SIGNAL;KTC3875S-Y,NPN,150mW,SOT	1	S.A	
...4	Q3007	0501-000445	TR-SMALL SIGNAL;KTC3875S-Y,NPN,150mW,SOT	1	S.A	
...4	Q3207	0501-000445	TR-SMALL SIGNAL;KTC3875S-Y,NPN,150mW,SOT	1	S.A	
...4	Q3208	0501-000445	TR-SMALL SIGNAL;KTC3875S-Y,NPN,150mW,SOT	1	S.A	
...4	Q5002	0501-000445	TR-SMALL SIGNAL;KTC3875S-Y,NPN,150mW,SOT	1	S.A	
...4	Q5201	0501-000445	TR-SMALL SIGNAL;KTC3875S-Y,NPN,150mW,SOT	1	S.A	
...4	Q5202	0501-000445	TR-SMALL SIGNAL;KTC3875S-Y,NPN,150mW,SOT	1	S.A	
...4	Q6003_L	0501-000445	TR-SMALL SIGNAL;KTC3875S-Y,NPN,150mW,SOT	1	S.A	
...4	Q2005	0501-000669	TR-SMALL SIGNAL;KTA1505Y,PNP,150mW,SOT-2	1	S.A	
...4	Q2006	0501-000669	TR-SMALL SIGNAL;KTA1505Y,PNP,150mW,SOT-2	1	S.A	
...4	Q3202	0501-000669	TR-SMALL SIGNAL;KTA1505Y,PNP,150mW,SOT-2	1	S.A	
...4	Q3205	0501-000669	TR-SMALL SIGNAL;KTA1505Y,PNP,150mW,SOT-2	1	S.A	
...4	Q1004_L	0501-002080	TR-SMALL SIGNAL;2SC2412K,NPN,200mW,SC-59	1	S.A	
...4	Q3201	0501-002080	TR-SMALL SIGNAL;2SC2412K,NPN,200mW,SC-59	1	S.A	
...4	Q3203	0501-002080	TR-SMALL SIGNAL;2SC2412K,NPN,200mW,SC-59	1	S.A	
...4	Q3204	0501-002080	TR-SMALL SIGNAL;2SC2412K,NPN,200mW,SC-59	1	S.A	
...4	Q3206	0501-002080	TR-SMALL SIGNAL;2SC2412K,NPN,200mW,SC-59	1	S.A	
...4	Q409	0505-000110	FET-SILICON;2N7002,N,60V,115mA,7.5ohm,0.	1	S.A	
...4	Q409	0505-000110	FET-SILICON;2N7002,N,60V,115mA,7.5ohm,0.	1	S.A	
...4	Q409	0505-000110	FET-SILICON;2N7002,N,60V,115mA,7.5ohm,0.	1	S.A	
...4	Q409	0505-000110	FET-SILICON;2N7002,N,60V,115mA,7.5ohm,0.	1	S.A	
...4	Q409	0505-000110	FET-SILICON;2N7002,N,60V,115mA,7.5ohm,0.	1	S.A	
...4	Q409	0505-000110	FET-SILICON;2N7002,N,60V,115mA,7.5ohm,0.	1	S.A	
...4	Q409	0505-000110	FET-SILICON;2N7002,N,60V,115mA,7.5ohm,0.	1	S.A	
...4	Q409	0505-000110	FET-SILICON;2N7002,N,60V,115mA,7.5ohm,0.	1	S.A	
...4	Q409	0505-000110	FET-SILICON;2N7002,N,60V,115mA,7.5ohm,0.	1	S.A	
...4	Q409	0505-000110	FET-SILICON;2N7002,N,60V,115mA,7.5ohm,0.	1	S.A	
...4	Q409	0505-000110	FET-SILICON;2N7002,N,60V,115mA,7.5ohm,0.	1	S.A	
...4	Q409	0505-000110	FET-SILICON;2N7002,N,60V,115mA,7.5ohm,0.	1	S.A	
...4	Q409	0505-001165	FET-SILICON;SI3443BDV,P,-20V,+4.4A,65mo	1	S.A	

5. Exploded View & Part List

Level	Location No.	Code No.	Description & Specification	Q'ty	SA/SNA	Remark
...4	Q409	0505-001170	FET-SILICON;SI9933ADY-T1,P,-20V,3.4A,0.0	1	S.A	
...4	IC104	0801-002095	IC-CMOS LOGIC;74LCX245,TRANSCEIVER,TSSOP	1	S.A	
...4	IC104	0801-002172	IC-CMOS LOGIC;74LCX16244,BUFFER/LINE DRI	1	S.A	
...4	IC104	0801-002172	IC-CMOS LOGIC;74LCX16244,BUFFER/LINE DRI	1	S.A	
...4	IC104	0801-002172	IC-CMOS LOGIC;74LCX16244,BUFFER/LINE DRI	1	S.A	
...4	IC104	0801-002432	IC-CMOS LOGIC;74LVC244,8BIT BUFFER/DRIVE	1	S.N.A	
...4	IC104	0801-002630	IC-CMOS LOGIC;74AHCT1G08,2-INPUT AND GAT	1	S.A	
...4	IC104	0801-003239	IC-CMOS LOGIC;74LVC1G00,2-input NAND Gat	1	S.A	
...4	IC104	0801-003239	IC-CMOS LOGIC;74LVC1G00,2-input NAND Gat	1	S.A	
...4	IC2002	1001-000164	IC-ANALOG MULTIPLEX;74HC4052,CMOS,SOP,16	1	S.A	
...4	IC5203	1001-000164	IC-ANALOG MULTIPLEX;74HC4052,CMOS,SOP,16	1	S.A	
...4	IC106	1001-001082	IC-VIDEO SWITCH;BA7657F,-,SOP,24P,300MIL	1	S.A	
...4	IC3011	1001-001109	IC-ANALOG SWITCH;FST3125M,BUS SWITCH & C	1	S.A	
...4	IC106	1001-001440	IC-VIDEO SWITCH;SiI9185CTU,QFP,80P,3.3V,	1	S.A	
...4	IC107	1002-001482	IC-D/A CONVERTER;WM8521H9GED/R,16bit,SOI	1	S.A	
...4	IC110	1006-001076	IC-DRIVER/RECEIVER;MAX232ECWE+T,SOP,16P,	1	S.A	
...4	IC112	1103-000129	IC-EEPROM;24C02,2Kbit,256x8Bit,SOP,8P,5x	1	S.A	
...4	IC112	1103-000129	IC-EEPROM;24C02,2Kbit,256x8Bit,SOP,8P,5x	1	S.A	
...4	IC112	1103-000129	IC-EEPROM;24C02,2Kbit,256x8Bit,SOP,8P,5x	1	S.A	
...4	IC112	1103-000129	IC-EEPROM;24C02,2Kbit,256x8Bit,SOP,8P,5x	1	S.A	
...4	IC112	1103-001385	IC-EEPROM;AT24C256,256Kbit,32Kx8,SOP,8P,	1	S.A	
...4	IC112	1103-001410	IC-EEPROM;S-24CS08AFJ-TB-1GE,8Kbit,1Kx8,	1	S.A	
...4	IC113	1105-001712	IC-DRAM;HYB25D256163CE,DDR,256Mbit,16Mx1	1	S.A	
...4	IC5201	1105-001838	IC-DDR SDRAM;EM6A9160TS0A-5G,DDR SDRAM,1	1	S.A	
...4	DU410	1201-000166	IC-OP AMP;LM358,SOP,ST,8P,150MIL,DUAL,10	1	S.A	
...4	DU410	1201-000541	IC-OP AMP;062,SOP,8P,153MIL,DUAL,6V/mV,P	1	S.A	
...4	DU410	1201-000541	IC-OP AMP;062,SOP,8P,153MIL,DUAL,6V/mV,P	1	S.A	
...4	T0085	1201-002487	IC-AUDIO AMP;MAX9728A,QFN,12P,3x3mm,DUAL	1	S.A	
...4	T0124	1201-002677	IC-POWER AMP;NTP3100,QFN56,56P,8x8mm,DUA	1	S.A	
...4	T0087	1203-001815	IC-POSI.FIXED REG.;78M09,TO-252,3P,-,PLA	1	S.A	
...4	T0087	1203-002842	IC-POSI.FIXED REG.;AP1117D-33A,TO-252,3P	1	S.A	
...4	T0087	1203-002974	IC-POSI.FIXED REG.;AP1117D-25A,TO-252,3P	1	S.A	
...4	IC012	1203-002995	IC-POSI.ADJUST REG.;AP1117D-A,TO-252,3P,	1	S.A	
...4	IC012	1203-002995	IC-POSI.ADJUST REG.;AP1117D-A,TO-252,3P,	1	S.A	
...4	IC012	1203-002995	IC-POSI.ADJUST REG.;AP1117D-A,TO-252,3P,	1	S.A	
...4	IC012	1203-002995	IC-POSI.ADJUST REG.;AP1117D-A,TO-252,3P,	1	S.A	
...4	T0170	1203-003059	IC-SWITCH VOL. REG.;MP1583,SOIC,8P,4.9x3	1	S.A	
...4	IC7206	1203-003394	IC-POWER SUPERVISOR;MIC2544-1YM,SOP,8P,4	1	S.A	
...4	T0087	1203-003696	IC-POSI.FIXED REG.;NCP1117DT18T5G,DPAK,3	1	S.A	
...4	IC5002	1203-004363	IC-VOL. DETECTOR;RT9818C-29PV,SOT-23,3P,	1	S.A	
...4	IC2005	1203-004364	IC-VOL. DETECTOR;RT9818C-42PV,SOT-23,3P,	1	S.A	
...4	IC6003_L26	1203-004364	IC-VOL. DETECTOR;RT9818C-42PV,SOT-23,3P,	1	S.A	
...4	IC7402	1203-004364	IC-VOL. DETECTOR;RT9818C-42PV,SOT-23,3P,	1	S.A	
...4	T0087	1203-004816	IC-POSI.FIXED REG.;KIA78D015F,DPAK,3P,6.	1	S.A	
...4	IC118	1204-002779	IC-VIDEO PROCESS;S4LF122X01,PBGA,208P,17	1	S.A	
...4	IC7001	1204-002861	IC-DECODER;UPD61211GM-104-GAA-A,QFP,216P	1	S.A	
...4	IC109	1205-003432	IC-LCD CONTROLLER;SEMS01,LQFP,256P,30x30	1	S.A	
...4	IC3012	1405-001185	VARISTOR;24Vdc,1.6x0.8x0.36mm,TP	1	S.A	
...4	IC3013	1405-001185	VARISTOR;24Vdc,1.6x0.8x0.36mm,TP	1	S.A	
...4	IC3014_3H	1405-001185	VARISTOR;24Vdc,1.6x0.8x0.36mm,TP	1	S.A	
...4	R110	2007-000060	R-CHIP;100Kohm,1%,1/10W,TP,1608	1	S.A	

5. Exploded View & Part List

Level	Location No.	Code No.	Description & Specification	Q'ty	SA/SNA	Remark
...4	R110	2007-007136	R-CHIP;4.7Kohm,1%,1/16W,TP,1005	1	S.N.A	
...4	R110	2007-007142	R-CHIP;10Kohm,1%,1/16W,TP,1005	1	S.N.A	
...4	R110	2007-007142	R-CHIP;10Kohm,1%,1/16W,TP,1005	1	S.N.A	
...4	R110	2007-007142	R-CHIP;10Kohm,1%,1/16W,TP,1005	1	S.N.A	
...4	R110	2007-007142	R-CHIP;10Kohm,1%,1/16W,TP,1005	1	S.N.A	
...4	R110	2007-007142	R-CHIP;10Kohm,1%,1/16W,TP,1005	1	S.N.A	
...4	R110	2007-007142	R-CHIP;10Kohm,1%,1/16W,TP,1005	1	S.N.A	
...4	R110	2007-007142	R-CHIP;10Kohm,1%,1/16W,TP,1005	1	S.N.A	
...4	R110	2007-007142	R-CHIP;10Kohm,1%,1/16W,TP,1005	1	S.N.A	
...4	R110	2007-007142	R-CHIP;10Kohm,1%,1/16W,TP,1005	1	S.N.A	
...4	R110	2007-007142	R-CHIP;10Kohm,1%,1/16W,TP,1005	1	S.N.A	
...4	R110	2007-007142	R-CHIP;10Kohm,1%,1/16W,TP,1005	1	S.N.A	
...4	R110	2007-007142	R-CHIP;10Kohm,1%,1/16W,TP,1005	1	S.N.A	
...4	R110	2007-007142	R-CHIP;10Kohm,1%,1/16W,TP,1005	1	S.N.A	
...4	R110	2007-007307	R-CHIP;150ohm,1%,1/16W,TP,1005	1	S.N.A	
...4	R110	2007-007319	R-CHIP;390ohm,1%,1/16W,TP,1005	1	S.N.A	
...4	R110	2007-007334	R-CHIP;200Kohm,1%,1/16W,TP,1005	1	S.N.A	
...4	R110	2007-007334	R-CHIP;200Kohm,1%,1/16W,TP,1005	1	S.N.A	
...4	R110	2007-007334	R-CHIP;200Kohm,1%,1/16W,TP,1005	1	S.N.A	
...4	R110	2007-007791	R-CHIP;9.1Kohm,1%,1/16W,TP,1005	1	S.N.A	
...4	R110	2007-007791	R-CHIP;9.1Kohm,1%,1/16W,TP,1005	1	S.N.A	
...4	R110	2007-008429	R-CHIP;499ohm,1%,1/16W,TP,1005	1	S.N.A	
...4	R110	2007-008649	R-CHIP;220ohm,1%,1/16W,TP,1005	1	S.N.A	
...4	RA5012	2011-000585	R-NETWORK;47ohm,5%,1/16W,L,CHIP,8P,TP,3.	1	S.A	
...4	RA5013	2011-000585	R-NETWORK;47ohm,5%,1/16W,L,CHIP,8P,TP,3.	1	S.A	
...4	RA5014	2011-000585	R-NETWORK;47ohm,5%,1/16W,L,CHIP,8P,TP,3.	1	S.A	
...4	RA6007_L	2011-000686	R-NETWORK;56ohm,5%,1/16W,L,CHIP,8P,TP,3.	1	S.A	
...4	RA5021	2011-000881	R-NETWORK;33ohm,5%,1/16W,L,CHIP,8P,TP,3.	1	S.A	
...4	RA5022	2011-000881	R-NETWORK;33ohm,5%,1/16W,L,CHIP,8P,TP,3.	1	S.A	
...4	RA5023	2011-000881	R-NETWORK;33ohm,5%,1/16W,L,CHIP,8P,TP,3.	1	S.A	
...4	RA5201	2011-000881	R-NETWORK;33ohm,5%,1/16W,L,CHIP,8P,TP,3.	1	S.A	
...4	RA5202	2011-000881	R-NETWORK;33ohm,5%,1/16W,L,CHIP,8P,TP,3.	1	S.A	
...4	RA5203	2011-000881	R-NETWORK;33ohm,5%,1/16W,L,CHIP,8P,TP,3.	1	S.A	
...4	RA5204	2011-000881	R-NETWORK;33ohm,5%,1/16W,L,CHIP,8P,TP,3.	1	S.A	
...4	RA5205	2011-000881	R-NETWORK;33ohm,5%,1/16W,L,CHIP,8P,TP,3.	1	S.A	
...4	RA7203	2011-000881	R-NETWORK;33ohm,5%,1/16W,L,CHIP,8P,TP,3.	1	S.A	
...4	RA7204	2011-000881	R-NETWORK;33ohm,5%,1/16W,L,CHIP,8P,TP,3.	1	S.A	
...4	RA5006	2011-001001	R-NETWORK;0ohm,5%,1/16W,L,CHIP,8P,TP,3.2	1	S.A	
...4	RA6004_FBE	2011-001001	R-NETWORK;0ohm,5%,1/16W,L,CHIP,8P,TP,3.2	1	S.A	
...4	RA6005_FBE	2011-001001	R-NETWORK;0ohm,5%,1/16W,L,CHIP,8P,TP,3.2	1	S.A	
...4	RA6006_FBE	2011-001001	R-NETWORK;0ohm,5%,1/16W,L,CHIP,8P,TP,3.2	1	S.A	
...4	RA5001	2011-001011	R-NETWORK;10Kohm,5%,1/16W,L,CHIP,8P,TP,3	1	S.A	
...4	RA5002	2011-001011	R-NETWORK;10Kohm,5%,1/16W,L,CHIP,8P,TP,3	1	S.A	
...4	RA5003	2011-001011	R-NETWORK;10Kohm,5%,1/16W,L,CHIP,8P,TP,3	1	S.A	
...4	RA5004	2011-001011	R-NETWORK;10Kohm,5%,1/16W,L,CHIP,8P,TP,3	1	S.A	
...4	RA5015	2011-001011	R-NETWORK;10Kohm,5%,1/16W,L,CHIP,8P,TP,3	1	S.A	
...4	RA5025	2011-001011	R-NETWORK;10Kohm,5%,1/16W,L,CHIP,8P,TP,3	1	S.A	
...4	RA5030	2011-001011	R-NETWORK;10Kohm,5%,1/16W,L,CHIP,8P,TP,3	1	S.A	
...4	RA5031	2011-001011	R-NETWORK;10Kohm,5%,1/16W,L,CHIP,8P,TP,3	1	S.A	
...4	RA5034	2011-001011	R-NETWORK;10Kohm,5%,1/16W,L,CHIP,8P,TP,3	1	S.A	
...4	RA7009	2011-001011	R-NETWORK;10Kohm,5%,1/16W,L,CHIP,8P,TP,3	1	S.A	
...4	RA7010	2011-001011	R-NETWORK;10Kohm,5%,1/16W,L,CHIP,8P,TP,3	1	S.A	

5. Exploded View & Part List

Level	Location No.	Code No.	Description & Specification	Q'ty	SA/SNA	Remark
...4	C120	2203-006842	C-CER,CHIP;0.47nF,5%,50V,C0G,1005	1	S.N.A	
...4	C120	2203-006992	C-CER,CHIP;0.33nF,5%,50V,C0G,1005	1	S.N.A	
...4	C120	2203-006992	C-CER,CHIP;0.33nF,5%,50V,C0G,1005	1	S.N.A	
...4	C120	2203-006992	C-CER,CHIP;0.33nF,5%,50V,C0G,1005	1	S.N.A	
...4	C120	2203-006992	C-CER,CHIP;0.33nF,5%,50V,C0G,1005	1	S.N.A	
...4	C120	2203-006992	C-CER,CHIP;0.33nF,5%,50V,C0G,1005	1	S.N.A	
...4	C120	2203-006992	C-CER,CHIP;0.33nF,5%,50V,C0G,1005	1	S.N.A	
...4	C120	2203-006992	C-CER,CHIP;0.33nF,5%,50V,C0G,1005	1	S.N.A	
...4	C120	2203-006992	C-CER,CHIP;0.33nF,5%,50V,C0G,1005	1	S.N.A	
...4	C120	2203-006992	C-CER,CHIP;0.33nF,5%,50V,C0G,1005	1	S.N.A	
...4	C120	2203-006992	C-CER,CHIP;0.33nF,5%,50V,C0G,1005	1	S.N.A	
...4	C120	2203-007176	C-CER,CHIP;10000nF,10%,16V,X5R,TP,2012 (1	S.N.A	
...4	C120	2203-007176	C-CER,CHIP;10000nF,10%,16V,X5R,TP,2012 (1	S.N.A	
...4	C120	2203-007176	C-CER,CHIP;10000nF,10%,16V,X5R,TP,2012 (1	S.N.A	
...4	C120	2203-007176	C-CER,CHIP;10000nF,10%,16V,X5R,TP,2012 (1	S.N.A	
...4	C120	2203-007176	C-CER,CHIP;10000nF,10%,16V,X5R,TP,2012 (1	S.N.A	
...4	C120	2203-007176	C-CER,CHIP;10000nF,10%,16V,X5R,TP,2012 (1	S.N.A	
...4	C120	2203-007176	C-CER,CHIP;10000nF,10%,16V,X5R,TP,2012 (1	S.N.A	
...4	C120	2203-007176	C-CER,CHIP;10000nF,10%,16V,X5R,TP,2012 (1	S.N.A	
...4	C120	2203-007176	C-CER,CHIP;10000nF,10%,16V,X5R,TP,2012 (1	S.N.A	
...4	C120	2203-007176	C-CER,CHIP;10000nF,10%,16V,X5R,TP,2012 (1	S.N.A	
...4	C120	2203-007176	C-CER,CHIP;10000nF,10%,16V,X5R,TP,2012 (1	S.N.A	
...4	C120	2203-007176	C-CER,CHIP;10000nF,10%,16V,X5R,TP,2012 (1	S.N.A	
...4	C120	2203-007176	C-CER,CHIP;10000nF,10%,16V,X5R,TP,2012 (1	S.N.A	
...4	C120	2203-007176	C-CER,CHIP;10000nF,10%,16V,X5R,TP,2012 (1	S.N.A	
...4	C1015	2402-001128	C-AL,SMD;100##F,20%,16V,-,TP,6.3X5.7mm	1	S.A	
...4	C6044_CMO_	2402-001128	C-AL,SMD;100##F,20%,16V,-,TP,6.3X5.7mm	1	S.A	
...4	C6045_CMO_	2402-001128	C-AL,SMD;100##F,20%,16V,-,TP,6.3X5.7mm	1	S.A	
...4	C3056	2402-001129	C-AL,SMD;47UF,20%,16V,WT,TP,6.3X5.2MM	1	S.A	
...4	C1025	2402-001238	C-AL,SMD;1uF,20%,50V,HR,TP,4.3x4.3x5.2mm	1	S.A	
...4	C1005	2402-001257	C-AL,SMD;470uF,20%,16V,-,TP,8.3*10	1	S.A	
...4	C1039	2402-001257	C-AL,SMD;470uF,20%,16V,-,TP,8.3*10	1	S.A	
...4	C1010	2402-001259	C-AL,SMD;220uF,20%,16V,WT,REEL,8X10	1	S.A	
...4	T0052	2703-000398	INDUCTOR-SMD;10uH,10%,3225	1	S.A	
...4	T0052	2703-000398	INDUCTOR-SMD;10uH,10%,3225	1	S.A	
...4	T0052	2703-000398	INDUCTOR-SMD;10uH,10%,3225	1	S.A	
...4	T0052	2703-000398	INDUCTOR-SMD;10uH,10%,3225	1	S.A	
...4	T0052	2703-000398	INDUCTOR-SMD;10uH,10%,3225	1	S.A	
...4	T0052	2703-000398	INDUCTOR-SMD;10uH,10%,3225	1	S.A	
...4	T0052	2703-000398	INDUCTOR-SMD;10uH,10%,3225	1	S.A	
...4	T0052	2703-000398	INDUCTOR-SMD;10uH,10%,3225	1	S.A	
...4	T0052	2703-000417	INDUCTOR-SMD;220uH,5%,3225	1	S.A	
...4	T0052	2703-001334	INDUCTOR-SMD;1.5uH,10%,2012	1	S.A	
...4	T0052	2703-001334	INDUCTOR-SMD;1.5uH,10%,2012	1	S.A	
...4	T0052	2703-001334	INDUCTOR-SMD;1.5uH,10%,2012	1	S.A	
...4	T0052	2703-001334	INDUCTOR-SMD;1.5uH,10%,2012	1	S.A	
...4	T0052	2703-001426	INDUCTOR-SMD;680uH,20%,7070	1	S.A	
...4	T0052	2703-001778	INDUCTOR-SMD;3.3uH,20%,3225	1	S.A	
...4	T0052	2703-002722	INDUCTOR-SMD;22uH,20%,12x12mm	1	S.A	
...4	L2001	2704-000018	INDUCTOR-SMD-ARRAY;15uH,2000mA,2,0.124oh	1	S.N.A	
...4	L2002	2704-000018	INDUCTOR-SMD-ARRAY;15uH,2000mA,2,0.124oh	1	S.N.A	
...4	X202	2801-003667	CRYSTAL-SMD;14.31818MHZ,30ppm,28-AAN,16p	1	S.A	

5. Exploded View & Part List

Level	Location No.	Code No.	Description & Specification	Q'ty	SA/SNA	Remark
...4	X202	2801-003954	CRYSTAL-SMD;27MHz,30ppm,28-AAN,16pF,50oh	1	S.A	
...4	F103	2901-001114	FILTER-EMI SMD;25VDC,2.0ADC,-,100nF,3.2x	1	S.A	
...4	F103	2901-001506	FILTER-EMI SMD;5V,0.13A,0pF,2x1x0.5mm,TP	1	S.A	
...4	F103	2901-001506	FILTER-EMI SMD;5V,0.13A,0pF,2x1x0.5mm,TP	1	S.A	
...4	T0568	3301-000314	BEAD-SMD;120ohm,1.6x0.8x0.8mm,-,-,-	1	S.N.A	
...4	T0568	3301-000314	BEAD-SMD;120ohm,1.6x0.8x0.8mm,-,-,-	1	S.N.A	
...4	T0568	3301-001145	BEAD-SMD;60ohm,4516,TP,70ohm/45MHz,82ohm	1	S.N.A	
...4	T0568	3301-001145	BEAD-SMD;60ohm,4516,TP,70ohm/45MHz,82ohm	1	S.N.A	
...4	T0568	3301-001145	BEAD-SMD;60ohm,4516,TP,70ohm/45MHz,82ohm	1	S.N.A	
...4	T0568	3301-001145	BEAD-SMD;60ohm,4516,TP,70ohm/45MHz,82ohm	1	S.N.A	
...4	T0568	3301-001145	BEAD-SMD;60ohm,4516,TP,70ohm/45MHz,82ohm	1	S.N.A	
...4	T0568	3301-001145	BEAD-SMD;60ohm,4516,TP,70ohm/45MHz,82ohm	1	S.N.A	
...4	T0568	3301-001148	BEAD-SMD;60ohm,1608,TP,-,-	1	S.N.A	
...4	T0568	3301-001148	BEAD-SMD;60ohm,1608,TP,-,-	1	S.N.A	
...4	T0568	3301-001148	BEAD-SMD;60ohm,1608,TP,-,-	1	S.N.A	
...4	T0568	3301-001163	BEAD-SMD;80ohm,2012,TP,-,192ohm/867MHz	1	S.N.A	
...4	T0568	3301-001163	BEAD-SMD;80ohm,2012,TP,-,192ohm/867MHz	1	S.N.A	
...4	T0568	3301-001163	BEAD-SMD;80ohm,2012,TP,-,192ohm/867MHz	1	S.N.A	
...4	T0568	3301-001163	BEAD-SMD;80ohm,2012,TP,-,192ohm/867MHz	1	S.N.A	
...4	T0568	3301-001163	BEAD-SMD;80ohm,2012,TP,-,192ohm/867MHz	1	S.N.A	
...4	T0568	3301-001163	BEAD-SMD;80ohm,2012,TP,-,192ohm/867MHz	1	S.N.A	
...4	T0568	3301-001163	BEAD-SMD;80ohm,2012,TP,-,192ohm/867MHz	1	S.N.A	
...4	T0568	3301-001163	BEAD-SMD;80ohm,2012,TP,-,192ohm/867MHz	1	S.N.A	
...4	T0568	3301-001236	BEAD-SMD;60ohm,1608,-,-,-	1	S.N.A	
...4	T0568	3301-001236	BEAD-SMD;60ohm,1608,-,-,-	1	S.N.A	
...4	T0568	3301-001236	BEAD-SMD;60ohm,1608,-,-,-	1	S.N.A	
...4	T0568	3301-001278	BEAD-SMD;120ohm,1608,200mA,TP,169ohm/174	1	S.N.A	
...4	T0568	3301-001278	BEAD-SMD;120ohm,1608,200mA,TP,169ohm/174	1	S.N.A	
...4	T0568	3301-001324	BEAD-SMD;15ohm,2012,600mA,TP,,0.1ohm	1	S.A	
...4	T0568	3301-001324	BEAD-SMD;15ohm,2012,600mA,TP,,0.1ohm	1	S.A	
...4	T0568	3301-001324	BEAD-SMD;15ohm,2012,600mA,TP,,0.1ohm	1	S.A	
...4	T0568	3301-001324	BEAD-SMD;15ohm,2012,600mA,TP,,0.1ohm	1	S.A	
...4	T0568	3301-001324	BEAD-SMD;15ohm,2012,600mA,TP,,0.1ohm	1	S.A	
...4	T0568	3301-001324	BEAD-SMD;15ohm,2012,600mA,TP,,0.1ohm	1	S.A	
...4	T0568	3301-001324	BEAD-SMD;15ohm,2012,600mA,TP,,0.1ohm	1	S.A	
...4	T0568	3301-001324	BEAD-SMD;15ohm,2012,600mA,TP,,0.1ohm	1	S.A	
...4	T0568	3301-001324	BEAD-SMD;15ohm,2012,600mA,TP,,0.1ohm	1	S.A	
...4	T0568	3301-001324	BEAD-SMD;15ohm,2012,600mA,TP,,0.1ohm	1	S.A	
...4	T0568	3301-001324	BEAD-SMD;15ohm,2012,600mA,TP,,0.1ohm	1	S.A	
...4	T0568	3301-001324	BEAD-SMD;15ohm,2012,600mA,TP,,0.1ohm	1	S.A	
...4	T0568	3301-001404	BEAD-SMD;30ohm,2012,TP,15.9OHM/30MHz	1	S.A	
...4	T0568	3301-001404	BEAD-SMD;30ohm,2012,TP,15.9OHM/30MHz	1	S.A	
...4	T0568	3301-001404	BEAD-SMD;30ohm,2012,TP,15.9OHM/30MHz	1	S.A	
...4	T0568	3301-001404	BEAD-SMD;30ohm,2012,TP,15.9OHM/30MHz	1	S.A	
...4	T0568	3301-001404	BEAD-SMD;30ohm,2012,TP,15.9OHM/30MHz	1	S.A	
...4	T0568	3301-001404	BEAD-SMD;30ohm,2012,TP,15.9OHM/30MHz	1	S.A	
...4	T0568	3301-001404	BEAD-SMD;30ohm,2012,TP,15.9OHM/30MHz	1	S.A	
...4	T0568	3301-001404	BEAD-SMD;30ohm,2012,TP,15.9OHM/30MHz	1	S.A	
...4	T0568	3301-001404	BEAD-SMD;30ohm,2012,TP,15.9OHM/30MHz	1	S.A	
...4	T0568	3301-001404	BEAD-SMD;30ohm,2012,TP,15.9OHM/30MHz	1	S.A	

5. Exploded View & Part List

Level	Location No.	Code No.	Description & Specification	Q'ty	SA/SNA	Remark
....4	T0568	3301-001404	BEAD-SMD;30ohm,2012,TP,15.9OHM/30MHz	1	S.A	
....4	T0568	3301-001569	BEAD-SMD;600ohm,2012,1000mA,TP,520ohm/90	1	S.N.A	
....4	T0568	3301-001569	BEAD-SMD;600ohm,2012,1000mA,TP,520ohm/90	1	S.N.A	
....4	T0568	3301-001569	BEAD-SMD;600ohm,2012,1000mA,TP,520ohm/90	1	S.N.A	
....4	JA3001	3701-001367	CONNECTOR-HDMI;19P,2R,FEMALE,SMD,AU	1	S.A	
....4	JA3002	3701-001367	CONNECTOR-HDMI;19P,2R,FEMALE,SMD,AU	1	S.A	
....4	CN6001_L	3708-001150	CONNECTOR-FPC/FFC/PIC;30P,1mm,SMD-A,SN,Y	1	S.A	
....4	T0077	BN41-00980A	PCB MAIN;Coral iDTV Normal,FR-4,4,1.6T,1	1	S.N.A	
....4	M0018	BN97-02084A	ASSY MICOM;T-PERLDEUC-0010,N50A,2007.12.	1	S.N.A	
....5	IC115	1107-001415	IC-FLASH MEMORY;29W320D,4Mx8/2Mx16Bit,TS	1	S.N.A	
....4	M0018	BN97-02084B	ASSY MICOM;T-CRL32PEUMD-1006.0,N50A,2007	1	S.N.A	
....5	IC115	1107-001709	IC-FLASH MEMORY;MX25L1605A,16Mbit,2Mx8,S	1	S.N.A	
....4	R110	2007-000155	R-CHIP;27Kohm,5%,1/16W,TP,1005	1	S.A	
....4	R110	2007-007306	R-CHIP;100ohm,1%,1/16W,TP,1005	1	S.N.A	
....4	R110	2007-007306	R-CHIP;100ohm,1%,1/16W,TP,1005	1	S.N.A	
....4	R110	2007-007306	R-CHIP;100ohm,1%,1/16W,TP,1005	1	S.N.A	
....4	R110	2007-007306	R-CHIP;100ohm,1%,1/16W,TP,1005	1	S.N.A	
....4	R110	2007-007306	R-CHIP;100ohm,1%,1/16W,TP,1005	1	S.N.A	
....4	R110	2007-007469	R-CHIP;110ohm,1%,1/16W,TP,1005	1	S.N.A	
....4	C120	2203-000585	C-CER,CHIP;0.22nF,10%,50V,X7R,1005	1	S.A	
....4	C120	2203-006708	C-CER,CHIP;4700nF,+80-20%,10V,Y5V,1608	1	S.A	
....4	C120	2203-006708	C-CER,CHIP;4700nF,+80-20%,10V,Y5V,1608	1	S.A	
....4	C120	2203-006708	C-CER,CHIP;4700nF,+80-20%,10V,Y5V,1608	1	S.A	
....4	C2014	2402-001330	C-AL,SMD;330uF,20%,25V,TP,10x10mm	1	S.N.A	
....4	G101	3301-000316	CORE-FERRITE BEAD;120ohm,2012,TP,-,-	1	S.N.A	
....4	G101	3301-000316	CORE-FERRITE BEAD;120ohm,2012,TP,-,-	1	S.N.A	
....4	G101	3301-000316	CORE-FERRITE BEAD;120ohm,2012,TP,-,-	1	S.N.A	
....4	R110	2007-000139	R-CHIP;220ohm,5%,1/16W,TP,1005	1	S.N.A	
....4	R110	2007-002425	R-CHIP;1ohm,5%,1/10W,TP,1608	1	S.A	
....4	R110	2007-002425	R-CHIP;1ohm,5%,1/10W,TP,1608	1	S.A	
....4	R110	2007-002425	R-CHIP;1ohm,5%,1/10W,TP,1608	1	S.A	
....4	R110	2007-002425	R-CHIP;1ohm,5%,1/10W,TP,1608	1	S.A	
....4	R110	2007-002425	R-CHIP;1ohm,5%,1/10W,TP,1608	1	S.A	
....4	R110	2007-002425	R-CHIP;1ohm,5%,1/10W,TP,1608	1	S.A	
....4	R110	2007-002425	R-CHIP;1ohm,5%,1/10W,TP,1608	1	S.A	
....4	R110	2007-002425	R-CHIP;1ohm,5%,1/10W,TP,1608	1	S.A	
....4	R110	2007-002796	R-CHIP;510ohm,5%,1/16W,TP,1005	1	S.A	
....4	R110	2007-007141	R-CHIP;240ohm,5%,1/16W,TP,1005	1	S.N.A	
....4	T0568	3301-001412	BEAD-SMD;60ohm,2012,800mA,TP,65ohm/110MH	1	S.N.A	
....4	IC104	0801-002633	IC-CMOS LOGIC;7WBD3125,2bit BUS SWITCH,S	1	S.A	
....4	IC104	0801-002633	IC-CMOS LOGIC;7WBD3125,2bit BUS SWITCH,S	1	S.A	
....4	IC104	0801-002633	IC-CMOS LOGIC;7WBD3125,2bit BUS SWITCH,S	1	S.A	
....4	IC104	0801-002633	IC-CMOS LOGIC;7WBD3125,2bit BUS SWITCH,S	1	S.A	
....4	C120	2203-006141	C-CER,CHIP;1000nF,10%,16V,X5R,1608	1	S.A	
....4	D1001	0402-001098	DIODE-RECTIFIER;SK34,40V,3A,SMC,TP	1	S.A	
...3	M0107	BN63-04528A	SHIELD-COVER;450 EO,SPT,TO.3,PAL NORMA	1	S.N.A	
...3	JA7201	3709-001508	CONNECTOR-CARD SLOT;68P,1.27mm,PIN,PCMC	1	S.A	
0.1	M0112	BN91-02131A	ASSY SHIELD;LE32A436T1DXXC	1	S.N.A	
..2	M0081	6003-000115	SCREW-TAPTITE;BH,+,B,M3,L6,ZPC(BLK),SWRC	6	S.A	
..2	M0081	6003-000115	SCREW-TAPTITE;BH,+,B,M3,L6,ZPC(BLK),SWRC	1	S.A	

5. Exploded View & Part List

Level	Location No.	Code No.	Description & Specification	Q'ty	SA/SNA	Remark
..2	M0081	6003-000115	SCREW-TAPTITE;BH,+,B,M3,L6,ZPC(BLK),SWRC	4	S.A	
..2	M0081	6003-000337	SCREW-TAPTITE;BH,+,S,M4,L10,ZPC(BLK),SWR	4	S.A	
..2	M0081	6003-001188	SCREW-TAPTITE;BH,+,B,M4,L10,ZPC(WHT),S	2	S.A	
..2	M0081	6003-001188	SCREW-TAPTITE;BH,+,B,M4,L10,ZPC(WHT),S	2	S.A	
..2	M0081	6003-001188	SCREW-TAPTITE;BH,+,B,M4,L10,ZPC(WHT),S	8	S.A	
..2	M0081	6003-001439	SCREW-TAPTITE;BH,+,S,M4,L8,ZPC(WHT),SW	1	S.N.A	
..2	M2893	BH39-00362G	LEAD CONNECTOR;SONOMA,UL1007#26,5PIN,100	1	S.A	
..2	T0076	BN39-00615D	CBF HARNESS;BORDEAUX,1617#22,3P,1P,RING,	1	S.A	
..2	M2893	BN39-00802A	LEAD CONNECTOR;LE32R86BDX,UL1007#26,UL/C	1	S.A	
..2	M2893	BN39-00849G	LEAD CONNECTOR;LE26A450,UL1007 #26,14P,2	1	S.A	
..2	M0114	BN61-02500A	HOLDER-WIRE;NYLON6.6,NATURAL	2	S.N.A	
..2	M0254	BN61-02952K	HOLDER-SIDE AV;32S81,EO(HOTEL),HIPS,V0,-	1	S.N.A	
...3		BN81-00199H	RESIN;HIPS HB,BK500,HF-1690H,K2901	17.3	S.N.A	
..2	M0115	BN61-02965A	BRACKET-STAND LINK;32 BORDEAUX PLUS,SECC	1	S.N.A	
..2	M0146	BN61-03265A	BRACKET-PANEL SIDE;JASMINE,SECC 1.2,AMLC	4	S.N.A	
..2	M0107	BN63-03039A	SHIELD-COVER;MURANO40,PCM,T0.5,IDTV	1	S.N.A	
..2	M0230	BN96-07158N	ASSY CABLE P-FFC;CORAL,FFC CABLE,240mm,3	1	S.A	
..2	T0447	BN96-05757B	ASSY BRACKET P-PANEL;32M81,EO,L430(TANZA	1	S.N.A	
...3	M0081	6003-000115	SCREW-TAPTITE;BH,+,B,M3,L6,ZPC(BLK),SWRC	6	S.A	
...3	M0131	AA63-01437A	GASKET;Bordeaux,Conductive Fabric,20mm,9	1	S.N.A	
...3	M0131	AA63-01438A	GASKET;Bordeaux,Conductive Fabric,7mm,8m	1	S.N.A	
...3		BN61-02200A	BRACKET-GUIDE POWER L;Bordeaux 32,SECC,T	1	S.N.A	
...3	M0146	BN61-02970A	BRACKET-PANEL TOP;32 BORDEAUX PLUS,SECC,	1	S.N.A	
...3		BN61-02974A	BRACKET-PANEL BOTTOM;32 BORDEAUX PLUS,SE	1	S.N.A	
...3		BN61-03364A	BRACKET-GUIDE MAIN;TULIP32,SECC,T1.2,FRC	1	S.N.A	
...3		BN61-03365A	BRACKET-GUIDE POWER R;TULIP32,RIGHT SECC	1	S.N.A	
...3	M0131	BN63-02950A	GASKET;LE32M73BDX,Conductive Fabric,300m	1	S.N.A	
..2	T0764	BN44-00192B	SMPS-LCDTV;MK32P3,DYREL,AC/DC,180W,AC100	1	S.A	
0.1	T0852	BN91-02217A	ASSY LCD-CMO;LE32A436T1DXXC	1	S.N.A	
..2	M0215	BN07-00534A	LCD-PANEL;V315B1-L01 C4	1	S.A	
0.1	M0045	BN92-03325C	ASSY ACCESSORY;LE32A436T1DXXC	1	S.N.A	
..2	M0045	BN96-07320A	ASSY ACCESSORY-MANUAL;LE40A436T1DXXC	1	S.A	
...3	T0524	6902-000110	BAG PE;LDPE,T0.05,W250,L400,TRP,28,2	1	S.N.A	
...3		AA68-03242K	MANUAL FLYER-02,SAFETY GUIDE;comm,Samsun	1	S.N.A	
...3		AA68-03575A	MANUAL FLYER-02,REGISTRATION C;XEU,ENG,U	1	S.N.A	
...3		AA68-03575B	MANUAL FLYER-02,REGISTRATION C;XEG,GERMA	1	S.N.A	
...3		AA68-03575C	MANUAL FLYER-02,REGISTRATION C;XEF,FRENC	1	S.N.A	
...3		AA68-03575D	MANUAL FLYER-03,REGISTRATION C;XEC,SPANI	1	S.N.A	
...3		AA68-03575E	MANUAL FLYER-04,REGISTRATION C;XET,ITALY	1	S.N.A	
...3		AA68-03575F	MANUAL FLYER-02,REGISTRATION C;XEN,DUTCH	1	S.N.A	
...3		AA68-03575G	MANUAL FLYER-02,REGISTRATION C;XEP,PORTU	1	S.N.A	
...3	T0175	BN68-00514E	MANUAL FLYER-01,WARRANTY CARD;comm,Samsu	1	S.N.A	
...3	T0511	BN68-01464A	MANUAL USERS;COMM,SAMSUNG,8Langs,W.Europ	1	S.N.A	
..2	M0045	BN96-07320D	ASSY ACCESSORY-CABLE;LE32A436T1DXXC	1	S.A	
...3	T0268	3903-000145	CBF-POWER CORD;DT,EU,FP3/YES,U(IEC C13-R	1	S.A	
...3	T0524	6902-000110	BAG PE;LDPE,T0.05,W250,L400,TRP,28,2	1	S.N.A	
...3	T0074	BN59-00684A	REMOCON;TM-96B,49,EUROPE_DTV-450	1	S.A	
...3		BN63-01798A	CLOTH-CLEAN;RE40**,CLOTH,180,200,RHCM	1	S.N.A	
...3	T0531	BN63-03103A	COVER-BOTTOM;32R81,M81,HIPS,-,-,HB,-,B	1	S.N.A	

5. Exploded View & Part List

Level	Location No.	Code No.	Description & Specification	Q'ty	SA/SNA	Remark
....4		BN81-00199H	RESIN;HIPS HB,BK500,HF-1690H,K2901	0.036	S.N.A	
...3		BN96-01800A	ASSY ACCESSORY-SCREW ZIPPER;ROME32,-,-,-	1	S.N.A	
....4	T0081	6002-001294	SCREW-TAPPING;BH,+,,M4,L16,ZPC(BLK)	4	S.A	
....4	ACCESSORY	6902-000683	BAG ZIPPER;LDPE,T0.05,W60,L60,TRP,-,-,2-	1	S.N.A	
0.1	M0019	BN92-03328F	ASSY LABEL;LE32A437T2DXXC	1	S.N.A	
0.1	M0003	BN92-03386D	ASSY BOX;32,L430,EO(SILVER),TANZANITE	1	S.N.A	
..2		BN69-02663C	BOX-01,SET;32L430,CB,A-01,DW-75,YEL,W896	1	S.N.A	
0.1	M0113	BN92-03388A	ASSY P/MATERIAL;32,L430,TANZANITE	1	S.N.A	
..2	T0524	6902-000519	BAG PE;HDPE/NITRON(DOUBLE),T0.015/T0.05(1	S.N.A	
..2	T0003	6902-000604	BAG WRAPPING;LDPE,T0.02,W500,L10000,TRP,	5.59	S.N.A	
..2	T0214	BN74-00008A	TAPE-OPP MASKING;OPP-2,T0.05,W100,L800M,	2.1	S.N.A	

5-5. LE37A43*T** Parts List

Level	Location No.	Code No.	Description & Specification	Q'ty	SA/SNA	Remark
		LE37A436T1DXXC	LE37A436T1D,N51A/37M80-GTN,37,LCD-TV,SPA			
0.1	M0216	BN90-01168A	ASSY STAND;37,40M81,-,ABS+PMMA,HB,BK23,H	1	S.N.A	
..2	T0081	6002-001294	SCREW-TAPPING;BH,+,M4,L16,ZPC(BLK)	4	S.A	
..2	M0027	BN96-04640A	ASSY STAND P-BASE;- ,37,40M81,-,ABS+PMMA,	1	S.A	
...3	T0081	6002-001294	SCREW-TAPPING;BH,+,M4,L16,ZPC(BLK)	4	S.A	
...3	M0081	6003-001239	SCREW-TAPTITE;FH,+,B,M4,L10,ZPC(WHT),S	8	S.A	
...3		BN61-02248A	HOLDER-SWIVEL RING;40R71,ACETAL NATUAL,T	1	S.N.A	
...3		BN61-02883A	BRACKET-STAND BOTTOM;BORDEAUX PLUS,40,SE	1	S.N.A	
...3		BN61-02886A	BRACKET-HINGE SWIVEL;BORDEAUX PLUS,40,SE	1	S.N.A	
...3	CCM1	BN63-02183D	COVER-SHEET;Rhcm,PE Vinyl,T0.05,680mm,20	1	S.N.A	
...3	T0004	BN63-03030A	COVER-STAND BASE;40R81,ABS+PMMA,-,-,HB	1	S.N.A	
...3	T0132	BN73-00052A	RUBBER FOOT;ARES 17,CR Rubber Gray,T1.5	4	S.N.A	
...3	T0920	BN61-02877A	GUIDE-STAND;TULIP,40,ABS,V0(NT),-,-,-,	1	S.N.A	
...3		BN61-02885A	HOLDER-SWIVEL RING;MURANO40,ACETAL NATUR	1	S.N.A	
...3	GUIDE	BN61-02981A	BRACKET-SUPPORT STAND;40 BORDEAUX PLUS,S	1	S.N.A	
...3	GUIDE	BN61-03045A	BRACKET-SUPPORT STAND;40 BORDEAUX PLUS,S	1	S.N.A	
0.1	M0001	BN90-01612A	ASSY COVER FRONT;37,L430,EO(IDTV),TANZAN	1	S.N.A	
..2	T0003	BN96-04637D	ASSY COVER P-FRONT;37L430,EO(iDTV),ABS+P	1	S.A	
...3	M0081	6003-000275	SCREW-TAPTITE;BH,+,B,M3,L10,ZPC(BLK),S	2	S.N.A	
...3	M0081	6003-001188	SCREW-TAPTITE;BH,+,B,M4,L10,ZPC(WHT),S	2	S.N.A	
...3	T0069	AA60-00091J	SPACER-FELT;- ,FELT,330X10,-,-,BLK,T0.5,-	2	S.N.A	
...3	T0069	AA60-00171V	SPACER-FELT;BE46PS,FELT,500,T0.35,10	2	S.N.A	
...3		BN63-01925A	FELT-VIBRATION;42D5,FELT,T0.35,10,370	4	S.N.A	
...3	CCM1	BN63-02183D	COVER-SHEET;Rhcm,PE Vinyl,T0.05,680mm,20	0.992	S.N.A	
...3		BN63-03035E	COVER-DECORATION LEFT;40L430,ABS,HB,BLK,	1	S.N.A	
...3		BN63-03036E	COVER-DECORATION RIGHT;40L430,ABS,HB,BLK	1	S.N.A	
...3	M0112	BN63-03186C	COVER-FRONT;37L430,EO(iDTV),ABS+PMMA,-,-	1	S.N.A	
...3	T0022	BN64-00550C	KNOB CONTROL;40L430,ABS,HB,BLK,BKN-1576	1	S.N.A	
...3	M0025	BN96-04639C	ASSY DECORATION P;37,L430,EO(IDTV),ABS,H	1	S.N.A	
...4	T0060	BN61-01655A	SPRING ETC;STS-304 SUS,D8,L12,T0.5	1	S.N.A	
...4		BN61-03261C	BOSS-TAPE;Tulip,ACRYL,T1.1,W24mm,GRAY,TA	0.72	S.N.A	
...4	T0056	BN63-03037A	COVER-DECORATION;40M81,ABS+PMMA,-,-,HB	1	S.N.A	
...4	T0056	BN63-03187C	COVER-DECORATION;37,L430,EO(IDTV),ABS,-,	1	S.N.A	
...4	T0059	BN64-00366A	INDICATOR LED;ROME-I,PC,CLEAR,ALL MODEL	1	S.N.A	
...4	T0023	BN64-00548A	KNOB POWER;TULIP40,PC VIOLET,V0	1	S.N.A	
...4	T0054	BN64-00549A	KNOB-DECORATION;40M81,ABS,-,-,HB,IV-16	1	S.N.A	
...3	M0146	BN96-04884C	ASSY BOARD P-POWER & IR;LNT4042HX/XAA,CT	1	S.A	
...3	M0145	BN96-04901A	ASSY BOARD P-FUNCTION;LNT3771FD,CT5000-4	1	S.A	
..2	T0175	BN96-04771A	ASSY SPEAKER P;8ohm,4pin,Enclosure Type,	1	S.A	
0.1	M0002	BN90-01614A	ASSY COVER REAR;37,L430,EO(IDTV),TANZANI	1	S.N.A	
..2	T0081	6002-001294	SCREW-TAPPING;BH,+,M4,L16,ZPC(BLK)	2	S.A	
..2	T0081	6002-001294	SCREW-TAPPING;BH,+,M4,L16,ZPC(BLK)	1	S.A	
..2	T0081	6002-001294	SCREW-TAPPING;BH,+,M4,L16,ZPC(BLK)	14	S.A	
..2	M0013	BN96-07500A	ASSY COVER P-REAR;37,L430,EO(IDTV),,HIPS	1	S.A	
...3	M0081	6003-001188	SCREW-TAPTITE;BH,+,B,M4,L10,ZPC(WHT),S	2	S.N.A	
...3	T0101	BN61-03348A	BRACKET-WALL;LCD TV 32,SECC T1.2,-,-,-	2	S.N.A	

5. Exploded View & Part List

Level	Location No.	Code No.	Description & Specification	Q'ty	SA/SNA	Remark
...3	M0006	BN63-04424A	COVER-REAR;37,L430,EO(IDTV),HIPS,-,-,-,H	1	S.N.A	
...3	T0071	BN64-00819A	INLAY-TERMINAL;L330/L430,EO(IDTV),PS SHE	1	S.N.A	
...3	T0064	BN65-00002A	CLAMPER CORE;BORDEAUX,LDPE,-,-,BLK,-	1	S.N.A	
0.1	M0017	BN91-02062B	ASSY CHASSIS;LE37A436T1DXXC,N51A	1	S.N.A	
.2	M0014	BN94-01680B	ASSY PCB MAIN-AUO;LE37A436T1DXXC,N51A	1	S.A	
...3	T0245	0202-001608	SOLDER-WIRE FLUX;LFC7-107,D0.8,99.3Sn/0.	0.25	S.N.A	
...3	JA3003_3H	3701-001388	CONNECTOR-HDMI;20P,Phosphor Bronze,ANGLE	1	S.A	
...3	JA3004	3701-001480	CONNECTOR-DSUB;15P,3R,FEMAIL,STAMPED PIN	1	S.A	
...3	CN906	3707-001081	CONNECTOR-OPTICAL;STRAIGHT,SPDIF	1	S.A	
...3	CN330	3711-000058	HEADER-BOARD TO CABLE;BOX,4P,1R,2.5MM,AN	1	S.A	
...3	CN330	3711-004379	HEADER-BOARD TO CABLE;BOX,4P,1R,2mm,STRA	1	S.A	
...3	CN330	3711-004484	HEADER-BOARD TO CABLE;BOX,5P,1R,2mm,STRA	1	S.A	
...3	CN330	3711-004484	HEADER-BOARD TO CABLE;BOX,5P,1R,2mm,STRA	1	S.A	
...3	CN330	3711-004531	HEADER-BOARD TO CABLE;BOX,10P,1R,2mm,ANG	1	S.A	
...3	CN330	3711-004712	HEADER-BOARD TO CABLE;BOX,9P,1R,2mm,STRA	1	S.A	
...3	CN330	3711-005842	HEADER-BOARD TO CABLE;BOX,24P,2R,2MM,STR	1	S.A	
...3	JA330	3722-001061	JACK-PHONE;1P,3.6PI,AG,BLK,N	1	S.A	
...3	JA330	3722-001061	JACK-PHONE;1P,3.6PI,AG,BLK,N	1	S.A	
...3	CN3214_SV	3722-002275	JACK-DIN;4P,-,SN,BLK,-	1	S.A	
...3	JA3204_SH	3722-002680	JACK-EAR PHONE;6P,NiSn,BLK,ANGLE	1	S.A	
...3	JA3201	3722-002681	JACK-SCART;42P,SN,BLK	1	S.A	
...3	JA333	3722-002690	JACK-PIN;3P,Ni,RED/WHT/YEL,ANGLE	1	S.A	
...3	JA333	3722-002691	JACK-PIN;2P,Ni,WHT/RED,STRAIGHT	1	S.A	
...3	JA333	3722-002691	JACK-PIN;2P,Ni,WHT/RED,STRAIGHT	1	S.A	
...3	JA333	3722-002691	JACK-PIN;2P,Ni,WHT/RED,STRAIGHT	1	S.A	
...3	JA333	3722-002703	JACK-PIN;3P,Ni,GRN/BLU/RED,STRAIGHT	1	S.A	
...3	CIS3	BN40-00120A	TUNER;TDHG6-K10A,TDHG6-K10A,DVB-T,181CH,	1	S.A	
...3	HDCP	BN97-00688A	ASSY HDCP;BN46-00018A,PS-42V6S,D73A,GENE	1	S.N.A	
...4		BN46-00018A	KEY CODE-CERTIFICATE;(HDCP KEY)PPM42M5S,	1	S.N.A	
...3	T0174	BN97-02074B	ASSY SMD;LE37A436T1DXXC,N51A,AUO	1	S.N.A	
...4	SUB05	0202-001477	SOLDER-CREAM;LST309-M,-,D20-45##,96.5Sn/	3.137	S.N.A	
...4	D2001	0401-000133	DIODE-SWITCHING;RLS4148,75V,150mA,LL-34,	1	S.A	
...4	D2002	0401-000133	DIODE-SWITCHING;RLS4148,75V,150mA,LL-34,	1	S.A	
...4	D2003	0401-000133	DIODE-SWITCHING;RLS4148,75V,150mA,LL-34,	1	S.A	
...4	D2009	0401-000133	DIODE-SWITCHING;RLS4148,75V,150mA,LL-34,	1	S.A	
...4	D2012	0401-000133	DIODE-SWITCHING;RLS4148,75V,150mA,LL-34,	1	S.A	
...4	D2015	0401-000133	DIODE-SWITCHING;RLS4148,75V,150mA,LL-34,	1	S.A	
...4	D1004	0401-001056	DIODE-SWITCHING;MMBD4148SE,100V,200mA,SO	1	S.A	
...4	D3003	0401-001056	DIODE-SWITCHING;MMBD4148SE,100V,200mA,SO	1	S.A	
...4	D3004	0401-001056	DIODE-SWITCHING;MMBD4148SE,100V,200mA,SO	1	S.A	
...4	D3006	0401-001056	DIODE-SWITCHING;MMBD4148SE,100V,200mA,SO	1	S.A	
...4	D3007	0401-001056	DIODE-SWITCHING;MMBD4148SE,100V,200mA,SO	1	S.A	
...4	D3008	0401-001056	DIODE-SWITCHING;MMBD4148SE,100V,200mA,SO	1	S.A	
...4	D3009	0401-001056	DIODE-SWITCHING;MMBD4148SE,100V,200mA,SO	1	S.A	
...4	D3010	0401-001056	DIODE-SWITCHING;MMBD4148SE,100V,200mA,SO	1	S.A	
...4	D3011	0401-001056	DIODE-SWITCHING;MMBD4148SE,100V,200mA,SO	1	S.A	
...4	D3012	0401-001056	DIODE-SWITCHING;MMBD4148SE,100V,200mA,SO	1	S.A	
...4	D3013	0401-001056	DIODE-SWITCHING;MMBD4148SE,100V,200mA,SO	1	S.A	
...4	D3016	0401-001056	DIODE-SWITCHING;MMBD4148SE,100V,200mA,SO	1	S.A	
...4	D3017	0401-001056	DIODE-SWITCHING;MMBD4148SE,100V,200mA,SO	1	S.A	

5. Exploded View & Part List

Level	Location No.	Code No.	Description & Specification	Q'ty	SA/SNA	Remark
...4	D3019	0401-001056	DIODE-SWITCHING;MMBD4148SE,100V,200mA,SO	1	S.A	
...4	D3021	0401-001056	DIODE-SWITCHING;MMBD4148SE,100V,200mA,SO	1	S.A	
...4	D3022	0401-001056	DIODE-SWITCHING;MMBD4148SE,100V,200mA,SO	1	S.A	
...4	D3023	0401-001056	DIODE-SWITCHING;MMBD4148SE,100V,200mA,SO	1	S.A	
...4	D3024	0401-001056	DIODE-SWITCHING;MMBD4148SE,100V,200mA,SO	1	S.A	
...4	D3025	0401-001056	DIODE-SWITCHING;MMBD4148SE,100V,200mA,SO	1	S.A	
...4	D3026	0401-001056	DIODE-SWITCHING;MMBD4148SE,100V,200mA,SO	1	S.A	
...4	D3027	0401-001056	DIODE-SWITCHING;MMBD4148SE,100V,200mA,SO	1	S.A	
...4	D3030_3H	0401-001056	DIODE-SWITCHING;MMBD4148SE,100V,200mA,SO	1	S.A	
...4	D3031_3H	0401-001056	DIODE-SWITCHING;MMBD4148SE,100V,200mA,SO	1	S.A	
...4	D3034_3H	0401-001056	DIODE-SWITCHING;MMBD4148SE,100V,200mA,SO	1	S.A	
...4	D3035_3H	0401-001056	DIODE-SWITCHING;MMBD4148SE,100V,200mA,SO	1	S.A	
...4	D3036_3H	0401-001056	DIODE-SWITCHING;MMBD4148SE,100V,200mA,SO	1	S.A	
...4	D3037_3H	0401-001056	DIODE-SWITCHING;MMBD4148SE,100V,200mA,SO	1	S.A	
...4	D3038_3H	0401-001056	DIODE-SWITCHING;MMBD4148SE,100V,200mA,SO	1	S.A	
...4	D3039_3H	0401-001056	DIODE-SWITCHING;MMBD4148SE,100V,200mA,SO	1	S.A	
...4	D3040_3H	0401-001056	DIODE-SWITCHING;MMBD4148SE,100V,200mA,SO	1	S.A	
...4	D3041_3H	0401-001056	DIODE-SWITCHING;MMBD4148SE,100V,200mA,SO	1	S.A	
...4	D3045	0401-001056	DIODE-SWITCHING;MMBD4148SE,100V,200mA,SO	1	S.A	
...4	D3046	0401-001056	DIODE-SWITCHING;MMBD4148SE,100V,200mA,SO	1	S.A	
...4	D3047	0401-001056	DIODE-SWITCHING;MMBD4148SE,100V,200mA,SO	1	S.A	
...4	D3061	0401-001056	DIODE-SWITCHING;MMBD4148SE,100V,200mA,SO	1	S.A	
...4	D3062	0401-001056	DIODE-SWITCHING;MMBD4148SE,100V,200mA,SO	1	S.A	
...4	D3064	0401-001056	DIODE-SWITCHING;MMBD4148SE,100V,200mA,SO	1	S.A	
...4	D3066	0401-001056	DIODE-SWITCHING;MMBD4148SE,100V,200mA,SO	1	S.A	
...4	D3078	0401-001056	DIODE-SWITCHING;MMBD4148SE,100V,200mA,SO	1	S.A	
...4	D3202	0401-001056	DIODE-SWITCHING;MMBD4148SE,100V,200mA,SO	1	S.A	
...4	D3203	0401-001056	DIODE-SWITCHING;MMBD4148SE,100V,200mA,SO	1	S.A	
...4	D3204	0401-001056	DIODE-SWITCHING;MMBD4148SE,100V,200mA,SO	1	S.A	
...4	D3205	0401-001056	DIODE-SWITCHING;MMBD4148SE,100V,200mA,SO	1	S.A	
...4	D3206	0401-001056	DIODE-SWITCHING;MMBD4148SE,100V,200mA,SO	1	S.A	
...4	D3207	0401-001056	DIODE-SWITCHING;MMBD4148SE,100V,200mA,SO	1	S.A	
...4	D3217	0401-001056	DIODE-SWITCHING;MMBD4148SE,100V,200mA,SO	1	S.A	
...4	D3218	0401-001056	DIODE-SWITCHING;MMBD4148SE,100V,200mA,SO	1	S.A	
...4	D3219	0401-001056	DIODE-SWITCHING;MMBD4148SE,100V,200mA,SO	1	S.A	
...4	D3230_SA	0401-001056	DIODE-SWITCHING;MMBD4148SE,100V,200mA,SO	1	S.A	
...4	D3236_SH	0401-001056	DIODE-SWITCHING;MMBD4148SE,100V,200mA,SO	1	S.A	
...4	D1002	0401-001099	DIODE-SWITCHING;1N4148WS,75V,150mA,SOD-3	1	S.A	
...4	D2019	0401-001099	DIODE-SWITCHING;1N4148WS,75V,150mA,SOD-3	1	S.A	
...4	D3063	0401-001099	DIODE-SWITCHING;1N4148WS,75V,150mA,SOD-3	1	S.A	
...4	D3065	0401-001099	DIODE-SWITCHING;1N4148WS,75V,150mA,SOD-3	1	S.A	
...4	D3067	0401-001099	DIODE-SWITCHING;1N4148WS,75V,150mA,SOD-3	1	S.A	
...4	D3244_SH	0401-001099	DIODE-SWITCHING;1N4148WS,75V,150mA,SOD-3	1	S.A	
...4	D0254	0402-001019	DIODE-SCHOTTKY;MBRS340,40V,3000mA,DO-214	1	S.A	
...4	D2008	0403-000002	DIODE-ZENER;VLZ5V6B,5.45/5.73V,500mW,SOD	1	S.A	
...4	D3020	0403-000002	DIODE-ZENER;VLZ5V6B,5.45/5.73V,500mW,SOD	1	S.A	
...4	D3033_3H	0403-000002	DIODE-ZENER;VLZ5V6B,5.45/5.73V,500mW,SOD	1	S.A	
...4	D3048	0403-000002	DIODE-ZENER;VLZ5V6B,5.45/5.73V,500mW,SOD	1	S.A	
...4	D3049	0403-000002	DIODE-ZENER;VLZ5V6B,5.45/5.73V,500mW,SOD	1	S.A	
...4	D3050	0403-000002	DIODE-ZENER;VLZ5V6B,5.45/5.73V,500mW,SOD	1	S.A	
...4	D3051	0403-000002	DIODE-ZENER;VLZ5V6B,5.45/5.73V,500mW,SOD	1	S.A	

5. Exploded View & Part List

Level	Location No.	Code No.	Description & Specification	Q'ty	SA/SNA	Remark
...4	D3052	0403-000002	DIODE-ZENER;VLZ5V6B,5.45/5.73V,500mW,SOD	1	S.A	
...4	D3074	0403-000002	DIODE-ZENER;VLZ5V6B,5.45/5.73V,500mW,SOD	1	S.A	
...4	D5001	0403-000002	DIODE-ZENER;VLZ5V6B,5.45/5.73V,500mW,SOD	1	S.A	
...4	D3070	0403-000258	DIODE-ZENER;BZX84C5V6,5.2-6V,225mW,SOT-2	1	S.A	
...4	D3216	0403-000607	DIODE-ZENER;VLZ16C,15.69/16.51V,500mW,SO	1	S.A	
...4	D3229	0403-000607	DIODE-ZENER;VLZ16C,15.69/16.51V,500mW,SO	1	S.A	
...4	D3002	0403-000771	DIODE-ZENER;VLZ6V2B,5.96-6.27V,500mW,SOD	1	S.A	
...4	D3015	0403-000771	DIODE-ZENER;VLZ6V2B,5.96-6.27V,500mW,SOD	1	S.A	
...4	D3029_3H	0403-000771	DIODE-ZENER;VLZ6V2B,5.96-6.27V,500mW,SOD	1	S.A	
...4	D3042	0403-000771	DIODE-ZENER;VLZ6V2B,5.96-6.27V,500mW,SOD	1	S.A	
...4	D3001	0403-001052	DIODE-ZENER;RD8.2MB,7.7-8.7V,200mW,SOT-2	1	S.A	
...4	D3014	0403-001052	DIODE-ZENER;RD8.2MB,7.7-8.7V,200mW,SOT-2	1	S.A	
...4	D3028_3H	0403-001052	DIODE-ZENER;RD8.2MB,7.7-8.7V,200mW,SOT-2	1	S.A	
...4	D3208_SV	0403-001052	DIODE-ZENER;RD8.2MB,7.7-8.7V,200mW,SOT-2	1	S.A	
...4	D5201	0403-001052	DIODE-ZENER;RD8.2MB,7.7-8.7V,200mW,SOT-2	1	S.A	
...4	D1005	0403-001425	DIODE-ZENER;BZX84C33,31-35V,350mW,SOT-23	1	S.A	
...4	D0254	0404-001271	DIODE-SCHOTTKY;SSA34,40V,3000mA,SMA,TP	1	S.A	
...4	D3053	0406-001172	DIODE-TVS;CDS3C30GTH,48/-/50V,SMD	1	S.A	
...4	D3054	0406-001172	DIODE-TVS;CDS3C30GTH,48/-/50V,SMD	1	S.A	
...4	D3055	0406-001172	DIODE-TVS;CDS3C30GTH,48/-/50V,SMD	1	S.A	
...4	D3056	0406-001172	DIODE-TVS;CDS3C30GTH,48/-/50V,SMD	1	S.A	
...4	D3057	0406-001172	DIODE-TVS;CDS3C30GTH,48/-/50V,SMD	1	S.A	
...4	D3058	0406-001172	DIODE-TVS;CDS3C30GTH,48/-/50V,SMD	1	S.A	
...4	D3068	0406-001172	DIODE-TVS;CDS3C30GTH,48/-/50V,SMD	1	S.A	
...4	D3069	0406-001172	DIODE-TVS;CDS3C30GTH,48/-/50V,SMD	1	S.A	
...4	D3212	0406-001172	DIODE-TVS;CDS3C30GTH,48/-/50V,SMD	1	S.A	
...4	D3213	0406-001172	DIODE-TVS;CDS3C30GTH,48/-/50V,SMD	1	S.A	
...4	D3214	0406-001172	DIODE-TVS;CDS3C30GTH,48/-/50V,SMD	1	S.A	
...4	D3215	0406-001172	DIODE-TVS;CDS3C30GTH,48/-/50V,SMD	1	S.A	
...4	D3220	0406-001172	DIODE-TVS;CDS3C30GTH,48/-/50V,SMD	1	S.A	
...4	D3221	0406-001172	DIODE-TVS;CDS3C30GTH,48/-/50V,SMD	1	S.A	
...4	D3222	0406-001172	DIODE-TVS;CDS3C30GTH,48/-/50V,SMD	1	S.A	
...4	D3223	0406-001172	DIODE-TVS;CDS3C30GTH,48/-/50V,SMD	1	S.A	
...4	D3224	0406-001172	DIODE-TVS;CDS3C30GTH,48/-/50V,SMD	1	S.A	
...4	D3225	0406-001172	DIODE-TVS;CDS3C30GTH,48/-/50V,SMD	1	S.A	
...4	D3226	0406-001172	DIODE-TVS;CDS3C30GTH,48/-/50V,SMD	1	S.A	
...4	D3227	0406-001172	DIODE-TVS;CDS3C30GTH,48/-/50V,SMD	1	S.A	
...4	D3228	0406-001172	DIODE-TVS;CDS3C30GTH,48/-/50V,SMD	1	S.A	
...4	D3231_SA	0406-001172	DIODE-TVS;CDS3C30GTH,48/-/50V,SMD	1	S.A	
...4	D3232_SA	0406-001172	DIODE-TVS;CDS3C30GTH,48/-/50V,SMD	1	S.A	
...4	D3233_SA	0406-001172	DIODE-TVS;CDS3C30GTH,48/-/50V,SMD	1	S.A	
...4	D3237_SH	0406-001172	DIODE-TVS;CDS3C30GTH,48/-/50V,SMD	1	S.A	
...4	D3238_SH	0406-001172	DIODE-TVS;CDS3C30GTH,48/-/50V,SMD	1	S.A	
...4	D3239_SV	0406-001172	DIODE-TVS;CDS3C30GTH,48/-/50V,SMD	1	S.A	
...4	D3240_SV	0406-001172	DIODE-TVS;CDS3C30GTH,48/-/50V,SMD	1	S.A	
...4	D2013	0407-000123	DIODE-ARRAY;DAN202K,80V,100mA,CA2-3,SOT-	1	S.A	
...4	D3071	0407-000123	DIODE-ARRAY;DAN202K,80V,100mA,CA2-3,SOT-	1	S.A	
...4	D3072	0407-000123	DIODE-ARRAY;DAN202K,80V,100mA,CA2-3,SOT-	1	S.A	
...4	D7201	0407-000123	DIODE-ARRAY;DAN202K,80V,100mA,CA2-3,SOT-	1	S.A	
...4	D7202	0407-000123	DIODE-ARRAY;DAN202K,80V,100mA,CA2-3,SOT-	1	S.A	
...4	D7203	0407-000123	DIODE-ARRAY;DAN202K,80V,100mA,CA2-3,SOT-	1	S.A	

5. Exploded View & Part List

Level	Location No.	Code No.	Description & Specification	Q'ty	SA/SNA	Remark
....4	D7204	0407-000123	DIODE-ARRAY;DAN202K,80V,100mA,CA2-3,SOT-	1	S.A	
....4	D7205	0407-000123	DIODE-ARRAY;DAN202K,80V,100mA,CA2-3,SOT-	1	S.A	
....4	D7206	0407-000123	DIODE-ARRAY;DAN202K,80V,100mA,CA2-3,SOT-	1	S.A	
....4	Q7001	0501-000002	TR-SMALL SIGNAL;KSA812,PNP,150MW,SOT-23,	1	S.A	
....4	Q7002	0501-000002	TR-SMALL SIGNAL;KSA812,PNP,150MW,SOT-23,	1	S.A	
....4	Q7402	0501-000434	TR-SMALL SIGNAL;KTC3875S-GR,NPN,150mW,SO	1	S.A	
....4	Q1001	0501-000445	TR-SMALL SIGNAL;KTC3875S-Y,NPN,150mW,SOT	1	S.A	
....4	Q1002_L	0501-000445	TR-SMALL SIGNAL;KTC3875S-Y,NPN,150mW,SOT	1	S.A	
....4	Q2001	0501-000445	TR-SMALL SIGNAL;KTC3875S-Y,NPN,150mW,SOT	1	S.A	
....4	Q2002	0501-000445	TR-SMALL SIGNAL;KTC3875S-Y,NPN,150mW,SOT	1	S.A	
....4	Q2003	0501-000445	TR-SMALL SIGNAL;KTC3875S-Y,NPN,150mW,SOT	1	S.A	
....4	Q2004	0501-000445	TR-SMALL SIGNAL;KTC3875S-Y,NPN,150mW,SOT	1	S.A	
....4	Q2007	0501-000445	TR-SMALL SIGNAL;KTC3875S-Y,NPN,150mW,SOT	1	S.A	
....4	Q2008	0501-000445	TR-SMALL SIGNAL;KTC3875S-Y,NPN,150mW,SOT	1	S.A	
....4	Q2009	0501-000445	TR-SMALL SIGNAL;KTC3875S-Y,NPN,150mW,SOT	1	S.A	
....4	Q3006	0501-000445	TR-SMALL SIGNAL;KTC3875S-Y,NPN,150mW,SOT	1	S.A	
....4	Q3007	0501-000445	TR-SMALL SIGNAL;KTC3875S-Y,NPN,150mW,SOT	1	S.A	
....4	Q3207	0501-000445	TR-SMALL SIGNAL;KTC3875S-Y,NPN,150mW,SOT	1	S.A	
....4	Q3208	0501-000445	TR-SMALL SIGNAL;KTC3875S-Y,NPN,150mW,SOT	1	S.A	
....4	Q5002	0501-000445	TR-SMALL SIGNAL;KTC3875S-Y,NPN,150mW,SOT	1	S.A	
....4	Q5201	0501-000445	TR-SMALL SIGNAL;KTC3875S-Y,NPN,150mW,SOT	1	S.A	
....4	Q5202	0501-000445	TR-SMALL SIGNAL;KTC3875S-Y,NPN,150mW,SOT	1	S.A	
....4	Q6003_L	0501-000445	TR-SMALL SIGNAL;KTC3875S-Y,NPN,150mW,SOT	1	S.A	
....4	Q2005	0501-000669	TR-SMALL SIGNAL;KTA1505Y,PNP,150mW,SOT-2	1	S.A	
....4	Q2006	0501-000669	TR-SMALL SIGNAL;KTA1505Y,PNP,150mW,SOT-2	1	S.A	
....4	Q3202	0501-000669	TR-SMALL SIGNAL;KTA1505Y,PNP,150mW,SOT-2	1	S.A	
....4	Q3205	0501-000669	TR-SMALL SIGNAL;KTA1505Y,PNP,150mW,SOT-2	1	S.A	
....4	Q1004_L	0501-002080	TR-SMALL SIGNAL;2SC2412K,NPN,200mW,SC-59	1	S.A	
....4	Q3201	0501-002080	TR-SMALL SIGNAL;2SC2412K,NPN,200mW,SC-59	1	S.A	
....4	Q3203	0501-002080	TR-SMALL SIGNAL;2SC2412K,NPN,200mW,SC-59	1	S.A	
....4	Q3204	0501-002080	TR-SMALL SIGNAL;2SC2412K,NPN,200mW,SC-59	1	S.A	
....4	Q3206	0501-002080	TR-SMALL SIGNAL;2SC2412K,NPN,200mW,SC-59	1	S.A	
....4	Q409	0505-000110	FET-SILICON;2N7002,N,60V,115mA,7.5ohm,0.	1	S.A	
....4	Q409	0505-000110	FET-SILICON;2N7002,N,60V,115mA,7.5ohm,0.	1	S.A	
....4	Q409	0505-000110	FET-SILICON;2N7002,N,60V,115mA,7.5ohm,0.	1	S.A	
....4	Q409	0505-000110	FET-SILICON;2N7002,N,60V,115mA,7.5ohm,0.	1	S.A	
....4	Q409	0505-000110	FET-SILICON;2N7002,N,60V,115mA,7.5ohm,0.	1	S.A	
....4	Q409	0505-000110	FET-SILICON;2N7002,N,60V,115mA,7.5ohm,0.	1	S.A	
....4	Q409	0505-000110	FET-SILICON;2N7002,N,60V,115mA,7.5ohm,0.	1	S.A	
....4	Q409	0505-000110	FET-SILICON;2N7002,N,60V,115mA,7.5ohm,0.	1	S.A	
....4	Q409	0505-000110	FET-SILICON;2N7002,N,60V,115mA,7.5ohm,0.	1	S.A	
....4	Q409	0505-000110	FET-SILICON;2N7002,N,60V,115mA,7.5ohm,0.	1	S.A	
....4	Q409	0505-000110	FET-SILICON;2N7002,N,60V,115mA,7.5ohm,0.	1	S.A	
....4	Q409	0505-000110	FET-SILICON;2N7002,N,60V,115mA,7.5ohm,0.	1	S.A	
....4	Q409	0505-001165	FET-SILICON;SI3443BDV,P,-20V,+4.4A,65mo	1	S.A	
....4	Q409	0505-001170	FET-SILICON;SI9933ADY-T1,P,-20V,3.4A,0.0	1	S.A	
....4	IC104	0801-002095	IC-CMOS LOGIC;74LCX245,TRANSCEIVER,TSSOP	1	S.A	
....4	IC104	0801-002172	IC-CMOS LOGIC;74LCX16244,BUFFER/LINE DRI	1	S.A	
....4	IC104	0801-002172	IC-CMOS LOGIC;74LCX16244,BUFFER/LINE DRI	1	S.A	
....4	IC104	0801-002172	IC-CMOS LOGIC;74LCX16244,BUFFER/LINE DRI	1	S.A	
....4	IC104	0801-002432	IC-CMOS LOGIC;74LVC244,8BIT BUFFER/DRIVE	1	S.N.A	
....4	IC104	0801-002630	IC-CMOS LOGIC;74AHCT1G08,2-INPUT AND GAT	1	S.A	

5. Exploded View & Part List

Level	Location No.	Code No.	Description & Specification	Q'ty	SA/SNA	Remark
...4	IC104	0801-003239	IC-CMOS LOGIC;74LVC1G00,2-input NAND Gat	1	S.A	
...4	IC104	0801-003239	IC-CMOS LOGIC;74LVC1G00,2-input NAND Gat	1	S.A	
...4	IC2002	1001-000164	IC-ANALOG MULTIPLEX;74HC4052,CMOS,SOP,16	1	S.A	
...4	IC5203	1001-000164	IC-ANALOG MULTIPLEX;74HC4052,CMOS,SOP,16	1	S.A	
...4	IC106	1001-001082	IC-VIDEO SWITCH;BA7657F,-,SOP,24P,300MIL	1	S.A	
...4	IC3011	1001-001109	IC-ANALOG SWITCH;FST3125M,BUS SWITCH & C	1	S.A	
...4	IC106	1001-001440	IC-VIDEO SWITCH;SiI9185CTU,QFP,80P,3.3V,	1	S.A	
...4	IC107	1002-001482	IC-D/A CONVERTER;WM8521H9GED/R,16bit,SOI	1	S.A	
...4	IC110	1006-001076	IC-DRIVER/RECEIVER;MAX232ECWE+T,SOP,16P,	1	S.A	
...4	IC112	1103-000129	IC-EEPROM;24C02,2Kbit,256x8Bit,SOP,8P,5x	1	S.A	
...4	IC112	1103-000129	IC-EEPROM;24C02,2Kbit,256x8Bit,SOP,8P,5x	1	S.A	
...4	IC112	1103-000129	IC-EEPROM;24C02,2Kbit,256x8Bit,SOP,8P,5x	1	S.A	
...4	IC112	1103-000129	IC-EEPROM;24C02,2Kbit,256x8Bit,SOP,8P,5x	1	S.A	
...4	IC112	1103-001385	IC-EEPROM;AT24C256,256Kbit,32Kx8,SOP,8P,	1	S.A	
...4	IC112	1103-001410	IC-EEPROM;S-24CS08AFJ-TB-1GE,8Kbit,1Kx8,	1	S.A	
...4	IC113	1105-001712	IC-DRAM;HYB25D256163CE,DDR,256Mbit,16Mx1	1	S.A	
...4	IC5201	1105-001838	IC-DDR SDRAM;EM6A9160TS0A-5G,DDR SDRAM,1	1	S.A	
...4	DU410	1201-000166	IC-OP AMP;LM358,SOP,ST,8P,150MIL,DUAL,10	1	S.A	
...4	DU410	1201-000541	IC-OP AMP;062,SOP,8P,153MIL,DUAL,6V/mV,P	1	S.A	
...4	DU410	1201-000541	IC-OP AMP;062,SOP,8P,153MIL,DUAL,6V/mV,P	1	S.A	
...4	T0085	1201-002487	IC-AUDIO AMP;MAX9728A,QFN,12P,3x3mm,DUAL	1	S.A	
...4	T0124	1201-002677	IC-POWER AMP;NTP3100,QFN56,56P,8x8mm,DUA	1	S.A	
...4	T0087	1203-001815	IC-POSI.FIXED REG.;78M09,TO-252,3P,-,PLA	1	S.A	
...4	T0087	1203-002842	IC-POSI.FIXED REG.;AP1117D-33A,TO-252,3P	1	S.A	
...4	T0087	1203-002974	IC-POSI.FIXED REG.;AP1117D-25A,TO-252,3P	1	S.A	
...4	IC012	1203-002995	IC-POSI.ADJUST REG.;AP1117D-A,TO-252,3P,	1	S.A	
...4	IC012	1203-002995	IC-POSI.ADJUST REG.;AP1117D-A,TO-252,3P,	1	S.A	
...4	IC012	1203-002995	IC-POSI.ADJUST REG.;AP1117D-A,TO-252,3P,	1	S.A	
...4	IC012	1203-002995	IC-POSI.ADJUST REG.;AP1117D-A,TO-252,3P,	1	S.A	
...4	IC012	1203-002995	IC-POSI.ADJUST REG.;AP1117D-A,TO-252,3P,	1	S.A	
...4	T0170	1203-003059	IC-SWITCH VOL. REG.;MP1583,SOIC,8P,4.9x3	1	S.A	
...4	IC7206	1203-003394	IC-POWER SUPERVISOR;MIC2544-1YM,SOP,8P,4	1	S.A	
...4	T0087	1203-003696	IC-POSI.FIXED REG.;NCP1117DT18T5G,DPAK,3	1	S.A	
...4	IC5002	1203-004363	IC-VOL. DETECTOR;RT9818C-29PV,SOT-23,3P,	1	S.A	
...4	IC2005	1203-004364	IC-VOL. DETECTOR;RT9818C-42PV,SOT-23,3P,	1	S.A	
...4	IC7402	1203-004364	IC-VOL. DETECTOR;RT9818C-42PV,SOT-23,3P,	1	S.A	
...4	T0087	1203-004816	IC-POSI.FIXED REG.;KIA78D015F,DPAK,3P,6.	1	S.A	
...4	IC118	1204-002779	IC-VIDEO PROCESS;S4LF122X01,PBGA,208P,17	1	S.A	
...4	IC7001	1204-002861	IC-DECODER;UPD61211GM-104-GAA-A,QFP,216P	1	S.A	
...4	IC5250	1205-003201	IC-BUS SWITCH;TC7WB125FK,SSOP,8P,2x2.3mm	1	S.A	
...4	IC5251	1205-003201	IC-BUS SWITCH;TC7WB125FK,SSOP,8P,2x2.3mm	1	S.A	
...4	IC5252	1205-003201	IC-BUS SWITCH;TC7WB125FK,SSOP,8P,2x2.3mm	1	S.A	
...4	IC5253	1205-003201	IC-BUS SWITCH;TC7WB125FK,SSOP,8P,2x2.3mm	1	S.A	
...4	IC109	1205-003432	IC-LCD CONTROLLER;SEMS01,LQFP,256P,30x30	1	S.A	
...4	IC3012	1405-001185	VARISTOR;24Vdc,1.6x0.8x0.36mm,TP	1	S.A	
...4	IC3013	1405-001185	VARISTOR;24Vdc,1.6x0.8x0.36mm,TP	1	S.A	
...4	IC3014_3H	1405-001185	VARISTOR;24Vdc,1.6x0.8x0.36mm,TP	1	S.A	
...4	R110	2007-000060	R-CHIP;100Kohm,1%,1/10W,TP,1608	1	S.A	
...4	R110	2007-000066	R-CHIP;20Kohm,1%,1/10W,TP,1608	1	S.A	
...4	R110	2007-000067	R-CHIP;15Kohm,1%,1/10W,TP,1608	1	S.A	
...4	R110	2007-000133	R-CHIP;330Kohm,5%,1/10W,TP,1608	1	S.A	
...4	R110	2007-000137	R-CHIP;2KOHM,5%,1/16W,TP,1005	1	S.N.A	

5. Exploded View & Part List

Level	Location No.	Code No.	Description & Specification	Q'ty	SA/SNA	Remark
...4	R110	2007-007142	R-CHIP;10Kohm,1%,1/16W,TP,1005	1	S.N.A	
...4	R110	2007-007142	R-CHIP;10Kohm,1%,1/16W,TP,1005	1	S.N.A	
...4	R110	2007-007142	R-CHIP;10Kohm,1%,1/16W,TP,1005	1	S.N.A	
...4	R110	2007-007142	R-CHIP;10Kohm,1%,1/16W,TP,1005	1	S.N.A	
...4	R110	2007-007142	R-CHIP;10Kohm,1%,1/16W,TP,1005	1	S.N.A	
...4	R110	2007-007307	R-CHIP;150ohm,1%,1/16W,TP,1005	1	S.N.A	
...4	R110	2007-007319	R-CHIP;390OHM,1%,1/16W,TP,1005	1	S.N.A	
...4	R110	2007-007334	R-CHIP;200Kohm,1%,1/16W,TP,1005	1	S.N.A	
...4	R110	2007-007334	R-CHIP;200Kohm,1%,1/16W,TP,1005	1	S.N.A	
...4	R110	2007-007334	R-CHIP;200Kohm,1%,1/16W,TP,1005	1	S.N.A	
...4	R110	2007-007791	R-CHIP;9.1KOHM,1%,1/16W,TP,1005	1	S.N.A	
...4	R110	2007-007791	R-CHIP;9.1KOHM,1%,1/16W,TP,1005	1	S.N.A	
...4	R110	2007-008429	R-CHIP;499ohm,1%,1/16W,TP,1005	1	S.N.A	
...4	R110	2007-008649	R-CHIP;220ohm,1%,1/16W,TP,1005	1	S.N.A	
...4	RA5009	2011-000585	R-NETWORK;47ohm,5%,1/16W,L,CHIP,8P,TP,3.	1	S.A	
...4	RA5010	2011-000585	R-NETWORK;47ohm,5%,1/16W,L,CHIP,8P,TP,3.	1	S.A	
...4	RA5011	2011-000585	R-NETWORK;47ohm,5%,1/16W,L,CHIP,8P,TP,3.	1	S.A	
...4	RA5012	2011-000585	R-NETWORK;47ohm,5%,1/16W,L,CHIP,8P,TP,3.	1	S.A	
...4	RA5013	2011-000585	R-NETWORK;47ohm,5%,1/16W,L,CHIP,8P,TP,3.	1	S.A	
...4	RA5014	2011-000585	R-NETWORK;47ohm,5%,1/16W,L,CHIP,8P,TP,3.	1	S.A	
...4	RA6007_L	2011-000686	R-NETWORK;56ohm,5%,1/16W,L,CHIP,8P,TP,3.	1	S.A	
...4	RA5021	2011-000881	R-NETWORK;33ohm,5%,1/16W,L,CHIP,8P,TP,3.	1	S.A	
...4	RA5022	2011-000881	R-NETWORK;33ohm,5%,1/16W,L,CHIP,8P,TP,3.	1	S.A	
...4	RA5023	2011-000881	R-NETWORK;33ohm,5%,1/16W,L,CHIP,8P,TP,3.	1	S.A	
...4	RA5201	2011-000881	R-NETWORK;33ohm,5%,1/16W,L,CHIP,8P,TP,3.	1	S.A	
...4	RA5202	2011-000881	R-NETWORK;33ohm,5%,1/16W,L,CHIP,8P,TP,3.	1	S.A	
...4	RA5203	2011-000881	R-NETWORK;33ohm,5%,1/16W,L,CHIP,8P,TP,3.	1	S.A	
...4	RA5204	2011-000881	R-NETWORK;33ohm,5%,1/16W,L,CHIP,8P,TP,3.	1	S.A	
...4	RA5205	2011-000881	R-NETWORK;33ohm,5%,1/16W,L,CHIP,8P,TP,3.	1	S.A	
...4	RA7203	2011-000881	R-NETWORK;33ohm,5%,1/16W,L,CHIP,8P,TP,3.	1	S.A	
...4	RA7204	2011-000881	R-NETWORK;33ohm,5%,1/16W,L,CHIP,8P,TP,3.	1	S.A	
...4	RA5006	2011-001001	R-NETWORK;0ohm,5%,1/16W,L,CHIP,8P,TP,3.2	1	S.A	
...4	RA6004_FBE	2011-001001	R-NETWORK;0ohm,5%,1/16W,L,CHIP,8P,TP,3.2	1	S.A	
...4	RA6005_FBE	2011-001001	R-NETWORK;0ohm,5%,1/16W,L,CHIP,8P,TP,3.2	1	S.A	
...4	RA6006_FBE	2011-001001	R-NETWORK;0ohm,5%,1/16W,L,CHIP,8P,TP,3.2	1	S.A	
...4	RA5001	2011-001011	R-NETWORK;10Kohm,5%,1/16W,L,CHIP,8P,TP,3	1	S.A	
...4	RA5002	2011-001011	R-NETWORK;10Kohm,5%,1/16W,L,CHIP,8P,TP,3	1	S.A	
...4	RA5003	2011-001011	R-NETWORK;10Kohm,5%,1/16W,L,CHIP,8P,TP,3	1	S.A	
...4	RA5004	2011-001011	R-NETWORK;10Kohm,5%,1/16W,L,CHIP,8P,TP,3	1	S.A	
...4	RA5015	2011-001011	R-NETWORK;10Kohm,5%,1/16W,L,CHIP,8P,TP,3	1	S.A	
...4	RA5025	2011-001011	R-NETWORK;10Kohm,5%,1/16W,L,CHIP,8P,TP,3	1	S.A	
...4	RA5030	2011-001011	R-NETWORK;10Kohm,5%,1/16W,L,CHIP,8P,TP,3	1	S.A	
...4	RA5031	2011-001011	R-NETWORK;10Kohm,5%,1/16W,L,CHIP,8P,TP,3	1	S.A	
...4	RA5034	2011-001011	R-NETWORK;10Kohm,5%,1/16W,L,CHIP,8P,TP,3	1	S.A	
...4	RA7009	2011-001011	R-NETWORK;10Kohm,5%,1/16W,L,CHIP,8P,TP,3	1	S.A	
...4	RA7010	2011-001011	R-NETWORK;10Kohm,5%,1/16W,L,CHIP,8P,TP,3	1	S.A	
...4	RA7011	2011-001011	R-NETWORK;10Kohm,5%,1/16W,L,CHIP,8P,TP,3	1	S.A	
...4	RA7012	2011-001011	R-NETWORK;10Kohm,5%,1/16W,L,CHIP,8P,TP,3	1	S.A	
...4	RA7209	2011-001011	R-NETWORK;10Kohm,5%,1/16W,L,CHIP,8P,TP,3	1	S.A	
...4	RA7001	2011-001087	R-NETWORK;75ohm,5%,1/16W,L,CHIP,8P,TP,3.	1	S.A	
...4	RA7002	2011-001087	R-NETWORK;75ohm,5%,1/16W,L,CHIP,8P,TP,3.	1	S.A	

Level	Location No.	Code No.	Description & Specification	Q'ty	SA/SNA	Remark
....4	C120	2203-001153	C-CER,CHIP;0.068nF,5%,50V,NP0,1005	1	S.A	
....4	C120	2203-001153	C-CER,CHIP;0.068nF,5%,50V,NP0,1005	1	S.A	
....4	C120	2203-001630	C-CER,CHIP;330nF,+80-20%,16V,Y5V,1608	1	S.A	
....4	C120	2203-001630	C-CER,CHIP;330nF,+80-20%,16V,Y5V,1608	1	S.A	
....4	C120	2203-001630	C-CER,CHIP;330nF,+80-20%,16V,Y5V,1608	1	S.A	
....4	C120	2203-002398	C-CER,CHIP;22nF,10%,50V,X7R,1608	1	S.A	
....4	C120	2203-002398	C-CER,CHIP;22nF,10%,50V,X7R,1608	1	S.A	
....4	C120	2203-002398	C-CER,CHIP;22nF,10%,50V,X7R,1608	1	S.A	
....4	C120	2203-002398	C-CER,CHIP;22nF,10%,50V,X7R,1608	1	S.A	
....4	C120	2203-002525	C-CER,CHIP;0.56nF,10%,50V,X7R,TP,1005	1	S.N.A	
....4	C120	2203-002525	C-CER,CHIP;0.56nF,10%,50V,X7R,TP,1005	1	S.N.A	
....4	C120	2203-002525	C-CER,CHIP;0.56nF,10%,50V,X7R,TP,1005	1	S.N.A	
....4	C120	2203-002525	C-CER,CHIP;0.56nF,10%,50V,X7R,TP,1005	1	S.N.A	
....4	C120	2203-002525	C-CER,CHIP;0.56nF,10%,50V,X7R,TP,1005	1	S.N.A	
....4	C120	2203-002525	C-CER,CHIP;0.56nF,10%,50V,X7R,TP,1005	1	S.N.A	
....4	C120	2203-002525	C-CER,CHIP;0.56nF,10%,50V,X7R,TP,1005	1	S.N.A	
....4	C120	2203-002525	C-CER,CHIP;0.56nF,10%,50V,X7R,TP,1005	1	S.N.A	
....4	C120	2203-002525	C-CER,CHIP;0.56nF,10%,50V,X7R,TP,1005	1	S.N.A	
....4	C120	2203-002525	C-CER,CHIP;0.56nF,10%,50V,X7R,TP,1005	1	S.N.A	
....4	C120	2203-002525	C-CER,CHIP;0.56nF,10%,50V,X7R,TP,1005	1	S.N.A	
....4	C120	2203-002525	C-CER,CHIP;0.56nF,10%,50V,X7R,TP,1005	1	S.N.A	
....4	C120	2203-002525	C-CER,CHIP;0.56nF,10%,50V,X7R,TP,1005	1	S.N.A	
....4	C120	2203-002525	C-CER,CHIP;0.56nF,10%,50V,X7R,TP,1005	1	S.N.A	
....4	C120	2203-002525	C-CER,CHIP;0.56nF,10%,50V,X7R,TP,1005	1	S.N.A	
....4	C120	2203-002525	C-CER,CHIP;0.56nF,10%,50V,X7R,TP,1005	1	S.N.A	
....4	C120	2203-002687	C-CER,CHIP;1.2nF,10%,50V,X7R,TP,1005	1	S.A	
....4	C120	2203-002687	C-CER,CHIP;1.2nF,10%,50V,X7R,TP,1005	1	S.A	
....4	C120	2203-002687	C-CER,CHIP;1.2nF,10%,50V,X7R,TP,1005	1	S.A	
....4	C120	2203-005065	C-CER,CHIP;1000nF,+80-20%,10V,Y5V,1608	1	S.A	
....4	C120	2203-005065	C-CER,CHIP;1000nF,+80-20%,10V,Y5V,1608	1	S.A	
....4	C120	2203-005065	C-CER,CHIP;1000nF,+80-20%,10V,Y5V,1608	1	S.A	
....4	C120	2203-005065	C-CER,CHIP;1000nF,+80-20%,10V,Y5V,1608	1	S.A	
....4	C120	2203-005065	C-CER,CHIP;1000nF,+80-20%,10V,Y5V,1608	1	S.A	
....4	C120	2203-005065	C-CER,CHIP;1000nF,+80-20%,10V,Y5V,1608	1	S.A	
....4	C120	2203-005249	C-CER,CHIP;100nF,10%,50V,X7R,1608	1	S.A	
....4	C120	2203-005249	C-CER,CHIP;100nF,10%,50V,X7R,1608	1	S.A	
....4	C120	2203-005249	C-CER,CHIP;100nF,10%,50V,X7R,1608	1	S.A	
....4	C120	2203-005249	C-CER,CHIP;100nF,10%,50V,X7R,1608	1	S.A	
....4	C120	2203-005249	C-CER,CHIP;100nF,10%,50V,X7R,1608	1	S.A	
....4	C120	2203-005249	C-CER,CHIP;100nF,10%,50V,X7R,1608	1	S.A	
....4	C120	2203-005249	C-CER,CHIP;100nF,10%,50V,X7R,1608	1	S.A	
....4	C120	2203-005249	C-CER,CHIP;100nF,10%,50V,X7R,1608	1	S.A	
....4	C120	2203-005249	C-CER,CHIP;100nF,10%,50V,X7R,1608	1	S.A	
....4	C120	2203-005249	C-CER,CHIP;100nF,10%,50V,X7R,1608	1	S.A	
....4	C120	2203-005249	C-CER,CHIP;100nF,10%,50V,X7R,1608	1	S.A	
....4	C120	2203-005249	C-CER,CHIP;100nF,10%,50V,X7R,1608	1	S.A	
....4	C120	2203-005261	C-CER,CHIP;1000nF,10%,25V,X7R,3216	1	S.A	
....4	C120	2203-005384	C-CER,CHIP;4700nF,+80-20%,10V,Y5V,2012	1	S.A	
....4	C120	2203-005384	C-CER,CHIP;4700nF,+80-20%,10V,Y5V,2012	1	S.A	
....4	C120	2203-005384	C-CER,CHIP;4700nF,+80-20%,10V,Y5V,2012	1	S.A	
....4	C120	2203-005384	C-CER,CHIP;4700nF,+80-20%,10V,Y5V,2012	1	S.A	

5. Exploded View & Part List

Level	Location No.	Code No.	Description & Specification	Q'ty	SA/SNA	Remark
...4	C120	2203-006992	C-CER,CHIP;0.33nF,5%,50V,C0G,1005	1	S.N.A	
...4	C120	2203-006992	C-CER,CHIP;0.33nF,5%,50V,C0G,1005	1	S.N.A	
...4	C120	2203-006992	C-CER,CHIP;0.33nF,5%,50V,C0G,1005	1	S.N.A	
...4	C120	2203-006992	C-CER,CHIP;0.33nF,5%,50V,C0G,1005	1	S.N.A	
...4	C120	2203-006992	C-CER,CHIP;0.33nF,5%,50V,C0G,1005	1	S.N.A	
...4	C120	2203-006992	C-CER,CHIP;0.33nF,5%,50V,C0G,1005	1	S.N.A	
...4	C120	2203-006992	C-CER,CHIP;0.33nF,5%,50V,C0G,1005	1	S.N.A	
...4	C120	2203-007176	C-CER,CHIP;10000nF,10%,16V,X5R,TP,2012 (1	S.N.A	
...4	C120	2203-007176	C-CER,CHIP;10000nF,10%,16V,X5R,TP,2012 (1	S.N.A	
...4	C120	2203-007176	C-CER,CHIP;10000nF,10%,16V,X5R,TP,2012 (1	S.N.A	
...4	C120	2203-007176	C-CER,CHIP;10000nF,10%,16V,X5R,TP,2012 (1	S.N.A	
...4	C120	2203-007176	C-CER,CHIP;10000nF,10%,16V,X5R,TP,2012 (1	S.N.A	
...4	C120	2203-007176	C-CER,CHIP;10000nF,10%,16V,X5R,TP,2012 (1	S.N.A	
...4	C120	2203-007176	C-CER,CHIP;10000nF,10%,16V,X5R,TP,2012 (1	S.N.A	
...4	C120	2203-007176	C-CER,CHIP;10000nF,10%,16V,X5R,TP,2012 (1	S.N.A	
...4	C120	2203-007176	C-CER,CHIP;10000nF,10%,16V,X5R,TP,2012 (1	S.N.A	
...4	C120	2203-007176	C-CER,CHIP;10000nF,10%,16V,X5R,TP,2012 (1	S.N.A	
...4	C120	2203-007176	C-CER,CHIP;10000nF,10%,16V,X5R,TP,2012 (1	S.N.A	
...4	C120	2203-007176	C-CER,CHIP;10000nF,10%,16V,X5R,TP,2012 (1	S.N.A	
...4	C120	2203-007176	C-CER,CHIP;10000nF,10%,16V,X5R,TP,2012 (1	S.N.A	
...4	C1015	2402-001128	C-AL,SMD;100##F,20%,16V,-,TP,6.3X5.7mm	1	S.A	
...4	C6044_CMO_	2402-001128	C-AL,SMD;100##F,20%,16V,-,TP,6.3X5.7mm	1	S.A	
...4	C6045_CMO_	2402-001128	C-AL,SMD;100##F,20%,16V,-,TP,6.3X5.7mm	1	S.A	
...4	C3056	2402-001129	C-AL,SMD;47UF,20%,16V,WT,TP,6.3X5.2MM	1	S.A	
...4	C1025	2402-001238	C-AL,SMD;1uF,20%,50V,HR,TP,4.3x4.3x5.2mm	1	S.A	
...4	C1005	2402-001257	C-AL,SMD;470uF,20%,16V,-,TP,8.3*10	1	S.A	
...4	C1039	2402-001257	C-AL,SMD;470uF,20%,16V,-,TP,8.3*10	1	S.A	
...4	C1010	2402-001259	C-AL,SMD;220uF,20%,16V,WT,REEL,8X10	1	S.A	
...4	T0052	2703-000398	INDUCTOR-SMD;10uH,10%,3225	1	S.A	
...4	T0052	2703-000398	INDUCTOR-SMD;10uH,10%,3225	1	S.A	
...4	T0052	2703-000398	INDUCTOR-SMD;10uH,10%,3225	1	S.A	
...4	T0052	2703-000398	INDUCTOR-SMD;10uH,10%,3225	1	S.A	
...4	T0052	2703-000398	INDUCTOR-SMD;10uH,10%,3225	1	S.A	
...4	T0052	2703-000398	INDUCTOR-SMD;10uH,10%,3225	1	S.A	
...4	T0052	2703-000398	INDUCTOR-SMD;10uH,10%,3225	1	S.A	
...4	T0052	2703-000398	INDUCTOR-SMD;10uH,10%,3225	1	S.A	
...4	T0052	2703-000398	INDUCTOR-SMD;10uH,10%,3225	1	S.A	
...4	T0052	2703-000417	INDUCTOR-SMD;220uH,5%,3225	1	S.A	
...4	T0052	2703-001334	INDUCTOR-SMD;1.5uH,10%,2012	1	S.A	
...4	T0052	2703-001334	INDUCTOR-SMD;1.5uH,10%,2012	1	S.A	
...4	T0052	2703-001334	INDUCTOR-SMD;1.5uH,10%,2012	1	S.A	
...4	T0052	2703-001334	INDUCTOR-SMD;1.5uH,10%,2012	1	S.A	
...4	T0052	2703-001426	INDUCTOR-SMD;680uH,20%,7070	1	S.A	
...4	T0052	2703-001778	INDUCTOR-SMD;3.3uH,20%,3225	1	S.A	
...4	T0052	2703-002722	INDUCTOR-SMD;22uH,20%,12x12mm	1	S.A	
...4	L2001	2704-000018	INDUCTOR-SMD-ARRAY;15uH,2000mA,2,0.124oh	1	S.N.A	
...4	L2002	2704-000018	INDUCTOR-SMD-ARRAY;15uH,2000mA,2,0.124oh	1	S.N.A	
...4	X202	2801-003667	CRYSTAL-SMD;14.31818MHz,30ppm,28-AAN,16p	1	S.A	
...4	X202	2801-003954	CRYSTAL-SMD;27MHz,30ppm,28-AAN,16pF,50oh	1	S.A	
...4	F103	2901-001114	FILTER-EMI SMD;25VDC,2.0ADC,-,100nF,3.2x	1	S.A	
...4	F103	2901-001506	FILTER-EMI SMD;5V,0.13A,0pF,2x1x0.5mm,TP	1	S.A	
...4	F103	2901-001506	FILTER-EMI SMD;5V,0.13A,0pF,2x1x0.5mm,TP	1	S.A	
...4	T0568	3301-000314	BEAD-SMD;120ohm,1.6x0.8x0.8mm,-,-,-	1	S.N.A	

5. Exploded View & Part List

Level	Location No.	Code No.	Description & Specification	Q'ty	SA/SNA	Remark
....4	T0568	3301-000314	BEAD-SMD;120ohm,1.6x0.8x0.8mm,-,-,-	1	S.N.A	
....4	T0568	3301-001145	BEAD-SMD;60ohm,4516,TP,70ohm/45MHz,82ohm	1	S.N.A	
....4	T0568	3301-001145	BEAD-SMD;60ohm,4516,TP,70ohm/45MHz,82ohm	1	S.N.A	
....4	T0568	3301-001145	BEAD-SMD;60ohm,4516,TP,70ohm/45MHz,82ohm	1	S.N.A	
....4	T0568	3301-001145	BEAD-SMD;60ohm,4516,TP,70ohm/45MHz,82ohm	1	S.N.A	
....4	T0568	3301-001145	BEAD-SMD;60ohm,4516,TP,70ohm/45MHz,82ohm	1	S.N.A	
....4	T0568	3301-001145	BEAD-SMD;60ohm,4516,TP,70ohm/45MHz,82ohm	1	S.N.A	
....4	T0568	3301-001148	BEAD-SMD;60ohm,1608,TP,-,-	1	S.N.A	
....4	T0568	3301-001148	BEAD-SMD;60ohm,1608,TP,-,-	1	S.N.A	
....4	T0568	3301-001148	BEAD-SMD;60ohm,1608,TP,-,-	1	S.N.A	
....4	T0568	3301-001163	BEAD-SMD;80ohm,2012,TP,-,192ohm/867MHz	1	S.N.A	
....4	T0568	3301-001163	BEAD-SMD;80ohm,2012,TP,-,192ohm/867MHz	1	S.N.A	
....4	T0568	3301-001163	BEAD-SMD;80ohm,2012,TP,-,192ohm/867MHz	1	S.N.A	
....4	T0568	3301-001163	BEAD-SMD;80ohm,2012,TP,-,192ohm/867MHz	1	S.N.A	
....4	T0568	3301-001163	BEAD-SMD;80ohm,2012,TP,-,192ohm/867MHz	1	S.N.A	
....4	T0568	3301-001163	BEAD-SMD;80ohm,2012,TP,-,192ohm/867MHz	1	S.N.A	
....4	T0568	3301-001163	BEAD-SMD;80ohm,2012,TP,-,192ohm/867MHz	1	S.N.A	
....4	T0568	3301-001163	BEAD-SMD;80ohm,2012,TP,-,192ohm/867MHz	1	S.N.A	
....4	T0568	3301-001163	BEAD-SMD;80ohm,2012,TP,-,192ohm/867MHz	1	S.N.A	
....4	T0568	3301-001236	BEAD-SMD;60ohm,1608,-,-,-	1	S.N.A	
....4	T0568	3301-001236	BEAD-SMD;60ohm,1608,-,-,-	1	S.N.A	
....4	T0568	3301-001236	BEAD-SMD;60ohm,1608,-,-,-	1	S.N.A	
....4	T0568	3301-001278	BEAD-SMD;120ohm,1608,200mA,TP,169ohm/174	1	S.N.A	
....4	T0568	3301-001278	BEAD-SMD;120ohm,1608,200mA,TP,169ohm/174	1	S.N.A	
....4	T0568	3301-001324	BEAD-SMD;15ohm,2012,600mA,TP,,0.1ohm	1	S.A	
....4	T0568	3301-001324	BEAD-SMD;15ohm,2012,600mA,TP,,0.1ohm	1	S.A	
....4	T0568	3301-001324	BEAD-SMD;15ohm,2012,600mA,TP,,0.1ohm	1	S.A	
....4	T0568	3301-001324	BEAD-SMD;15ohm,2012,600mA,TP,,0.1ohm	1	S.A	
....4	T0568	3301-001324	BEAD-SMD;15ohm,2012,600mA,TP,,0.1ohm	1	S.A	
....4	T0568	3301-001324	BEAD-SMD;15ohm,2012,600mA,TP,,0.1ohm	1	S.A	
....4	T0568	3301-001324	BEAD-SMD;15ohm,2012,600mA,TP,,0.1ohm	1	S.A	
....4	T0568	3301-001324	BEAD-SMD;15ohm,2012,600mA,TP,,0.1ohm	1	S.A	
....4	T0568	3301-001324	BEAD-SMD;15ohm,2012,600mA,TP,,0.1ohm	1	S.A	
....4	T0568	3301-001324	BEAD-SMD;15ohm,2012,600mA,TP,,0.1ohm	1	S.A	
....4	T0568	3301-001393	BEAD-SMD;60ohm,3216,1500mA,TP,41ohm/40MH	1	S.N.A	
....4	T0568	3301-001404	BEAD-SMD;30ohm,2012,TP,15.9OHM/30MHz	1	S.A	
....4	T0568	3301-001404	BEAD-SMD;30ohm,2012,TP,15.9OHM/30MHz	1	S.A	
....4	T0568	3301-001404	BEAD-SMD;30ohm,2012,TP,15.9OHM/30MHz	1	S.A	
....4	T0568	3301-001404	BEAD-SMD;30ohm,2012,TP,15.9OHM/30MHz	1	S.A	
....4	T0568	3301-001404	BEAD-SMD;30ohm,2012,TP,15.9OHM/30MHz	1	S.A	
....4	T0568	3301-001404	BEAD-SMD;30ohm,2012,TP,15.9OHM/30MHz	1	S.A	
....4	T0568	3301-001404	BEAD-SMD;30ohm,2012,TP,15.9OHM/30MHz	1	S.A	
....4	T0568	3301-001404	BEAD-SMD;30ohm,2012,TP,15.9OHM/30MHz	1	S.A	
....4	T0568	3301-001404	BEAD-SMD;30ohm,2012,TP,15.9OHM/30MHz	1	S.A	
....4	T0568	3301-001404	BEAD-SMD;30ohm,2012,TP,15.9OHM/30MHz	1	S.A	
....4	T0568	3301-001569	BEAD-SMD;600ohm,2012,1000mA,TP,520ohm/90	1	S.N.A	
....4	T0568	3301-001569	BEAD-SMD;600ohm,2012,1000mA,TP,520ohm/90	1	S.N.A	
....4	T0568	3301-001569	BEAD-SMD;600ohm,2012,1000mA,TP,520ohm/90	1	S.N.A	
....4	JA3001	3701-001367	CONNECTOR-HDMI;19P,2R,FEMALE,SMD,AU	1	S.A	
....4	JA3002	3701-001367	CONNECTOR-HDMI;19P,2R,FEMALE,SMD,AU	1	S.A	
....4	CN6001_L	3708-001150	CONNECTOR-FPC/FFC/PIC;30P,1mm,SMD-A,SN,Y	1	S.A	
....4	T0077	BN41-00980A	PCB MAIN;Coral iDTV Normal,FR-4,4,1.6T,1	1	S.N.A	

5. Exploded View & Part List

Level	Location No.	Code No.	Description & Specification	Q'ty	SA/SNA	Remark
...4	M0018	BN97-02084A	ASSY MICOM;T-PERLDEUC-0010,N50A,2007.12.	1	S.N.A	
....5	IC115	1107-001415	IC-FLASH MEMORY;29W320D,4Mx8/2Mx16Bit,TS	1	S.N.A	
...4	M0018	BN97-02084B	ASSY MICOM;T-CRL32PEUMD-0008.0,N50A,2007	1	S.N.A	
....5	IC115	1107-001709	IC-FLASH MEMORY;MX25L1605A,16Mbit,2Mx8,S	1	S.A	
...4	R110	2007-007306	R-CHIP;100ohm,1%,1/16W,TP,1005	1	S.N.A	
...4	R110	2007-007306	R-CHIP;100ohm,1%,1/16W,TP,1005	1	S.N.A	
...4	R110	2007-007469	R-CHIP;110ohm,1%,1/16W,TP,1005	1	S.N.A	
...4	C120	2203-000585	C-CER,CHIP;0.22nF,10%,50V,X7R,1005	1	S.A	
...4	C120	2203-006708	C-CER,CHIP;4700nF,+80-20%,10V,Y5V,1608	1	S.A	
...4	C120	2203-006708	C-CER,CHIP;4700nF,+80-20%,10V,Y5V,1608	1	S.A	
...4	C120	2203-006708	C-CER,CHIP;4700nF,+80-20%,10V,Y5V,1608	1	S.A	
...4	C2014	2402-001330	C-AL,SMD;330uF,20%,25V,TP,10x10mm	1	S.N.A	
...4	G101	3301-000316	CORE-FERRITE BEAD;120ohm,2012,TP,-,-	1	S.N.A	
...4	G101	3301-000316	CORE-FERRITE BEAD;120ohm,2012,TP,-,-	1	S.N.A	
...4	G101	3301-000316	CORE-FERRITE BEAD;120ohm,2012,TP,-,-	1	S.N.A	
...3	M0107	BN63-04528A	SHIELD-COVER;450 EO,SPT,E,T0.3,PAL NORMA	1	S.N.A	
...3	JA7201	3709-001508	CONNECTOR-CARD SLOT;68P,1.27mm,PIN,PCMCIA	1	S.A	
0.1	M0112	BN91-02132A	ASSY SHIELD;LE37A436T1DXXC	1	S.N.A	
.2	M0081	6003-000115	SCREW-TAPTITE;BH,+,B,M3,L6,ZPC(BLK),SWRC	6	S.A	
.2	M0081	6003-000115	SCREW-TAPTITE;BH,+,B,M3,L6,ZPC(BLK),SWRC	4	S.A	
.2	M0081	6003-000115	SCREW-TAPTITE;BH,+,B,M3,L6,ZPC(BLK),SWRC	1	S.A	
.2	M0081	6003-000337	SCREW-TAPTITE;BH,+,S,M4,L10,ZPC(BLK),SWR	6	S.A	
.2	M0081	6003-001188	SCREW-TAPTITE;BH,+,-,B,M4,L10,ZPC(WHT),S	2	S.N.A	
.2	M0081	6003-001188	SCREW-TAPTITE;BH,+,-,B,M4,L10,ZPC(WHT),S	2	S.N.A	
.2	M0081	6003-001188	SCREW-TAPTITE;BH,+,-,B,M4,L10,ZPC(WHT),S	8	S.N.A	
.2	M0081	6003-001188	SCREW-TAPTITE;BH,+,-,B,M4,L10,ZPC(WHT),S	2	S.N.A	
.2	M0081	6003-001439	SCREW-TAPTITE;BH,+,-,S,M4,L8,ZPC(WHT),SW	1	S.N.A	
.2	M2893	BN39-00674A	LEAD CONNECTOR;LNR469DX/XAA,UL1007#26,5P	1	S.A	
.2	M2893	BN39-00802F	LEAD CONNECTOR;LE46S86BDX,UL1007#26,24PI	1	S.A	
.2	M2893	BN39-00886A	LEAD CONNECTOR;LE37M86BDX/XEC,UL1007 #26	1	S.A	
.2	T0764	BN44-00220A	SMPS-LCDTV;MK37P5T,DYREL,AC/DC,171W,AC10	1	S.A	
.2	M0146	BN61-02241A	BRACKET-PANEL SIDE;Bordeaux 37,SECC,T1.2	1	S.N.A	
.2	M0146	BN61-02242A	BRACKET-PANEL SIDE;Bordeaux 37,SECC,T1.2	1	S.N.A	
.2	M0114	BN61-02500A	HOLDER-WIRE;NYLON6.6,NATURAL	4	S.N.A	
.2	M0115	BN61-02882A	BRACKET-STAND LINK;TULIP,40,SECC,T1.6,-,	1	S.A	
.2	M0254	BN61-02952K	HOLDER-SIDE AV;32S81,EO(HOTEL),HIPS,V0,-	1	S.N.A	
.2		BN61-03020A	BRACKET-GUIDE SOCKET;07 COMMON,SECC,T1.2	1	S.N.A	
.2	M0107	BN63-03039A	SHIELD-COVER;MURANO40,PCM,T0.5,IDTV	1	S.N.A	
.2	T0447	BN96-04680C	ASSY BRACKET P-PANEL;-,-,37M87,AUO,NT,PAL,	1	S.N.A	
...3	M0081	6003-000115	SCREW-TAPTITE;BH,+,B,M3,L6,ZPC(BLK),SWRC	6	S.A	
...3	M0081	6003-000115	SCREW-TAPTITE;BH,+,B,M3,L6,ZPC(BLK),SWRC	2	S.A	
...3	M0131	BN63-03370A	GASKET;LE37M86BDX,Conductive Fabric,10,7	1	S.N.A	
...3	M0131	BN63-03371A	GASKET;LE37M86BDX,Conductive Fabric,10,2	1	S.N.A	
...3	M0131	BN63-03507A	GASKET;LE37M87BDX,Conductive Fabric,10,2	1	S.N.A	
...3	M0131	BN63-03554A	GASKET;LE37M87BDX,Conductive Fabric,9,4,	1	S.N.A	
...3	T0101	BN61-02968A	BRACKET-WALL;40 BORDEAUX PLUS,SECC,T1.2,	1	S.N.A	
...3	M0146	BN61-02971A	BRACKET-PANEL TOP;37 BORDEAUX PLUS,SECC,	1	S.N.A	
...3		BN61-02977A	BRACKET-PANEL BOTTOM;37 BORDEAUX PLUS,SE	1	S.N.A	
...3		BN61-02980A	BRACKET-GUIDE MAIN;37 BORDEAUX PLUS,SECC	1	S.N.A	
...3		BN61-03033A	BRACKET-GUIDE POWER;37 BORDEAUX PLUS,SEC	1	S.N.A	

5. Exploded View & Part List

Level	Location No.	Code No.	Description & Specification	Q'ty	SA/SNA	Remark
...3		BN61-03034A	BRACKET-GUIDE POWER;37 BORDEAUX PLUS,SEC	1	S.N.A	
...3	M0114	BN61-02500A	HOLDER-WIRE;NYLON6.6,NATURAL	2	S.N.A	
..2	M0125	BN96-04817B	ASSY INLET P;LNT4081FX,XAA,250mm,250mm,-	1	S.A	
..2	M0214	BN96-07158Q	ASSY CABLE P-FLAT;Tanzanite,FFC CABLE,28	1	S.A	
0.1		BN91-02217B	ASSY LCD-AUO;LE37A436T1DXXC	1	S.N.A	
..2	M0215	BN07-00513A	LCD-PANEL;T370XW02 VC,8bit,37inch,16.7M,	1	S.A	
0.1	M0045	BN92-03325B	ASSY ACCESSORY;LE37A436T1DXXC	1	S.N.A	
..2	M0045	BN96-07320A	ASSY ACCESSORY-MANUAL;LE40A436T1DXXC	1	S.A	
...3	T0210	AA68-03242K	MANUAL FLYER-01,SAFETY GUIDE;comm,Samsun	1	S.N.A	
...3		AA68-03575A	MANUAL FLYER-02,REGISTRATION C;XEU,ENG,U	1	S.N.A	
...3		AA68-03575B	MANUAL FLYER-02,REGISTRATION C;XEG,GERMA	1	S.N.A	
...3		AA68-03575C	MANUAL FLYER-02,REGISTRATION C;XEF,FRENC	1	S.N.A	
...3		AA68-03575D	MANUAL FLYER-03,REGISTRATION C;XEC,SPANI	1	S.N.A	
...3		AA68-03575E	MANUAL FLYER-04,REGISTRATION C;XET,ITALY	1	S.N.A	
...3		AA68-03575F	MANUAL FLYER-02,REGISTRATION C;XEN,DUTCH	1	S.N.A	
...3		AA68-03575G	MANUAL FLYER-02,REGISTRATION C;XEP,PORTU	1	S.N.A	
...3		BN68-00514E	MANUAL FLYER-00,WARRANTY CARD;comm,Samsu	1	S.N.A	
...3	T0511	BN68-01464A	MANUAL USERS;COMM,SAMSUNG,8Langs,W.Europ	1	S.N.A	
...3	T0091	HA83-00047A	LP-TAPEACETATE;T0.1MM,W20MM,L200MM	0.05	S.N.A	
..2	M0045	BN96-07320C	ASSY ACCESSORY-CABEL;LE37A436T1DXXC	1	S.A	
...3	T0268	3903-000145	CBF-POWER CORD;DT,EU,FP3/YES,U(IEC C13-R	1	S.A	
...3	T0074	BN59-00684A	REMOCON;TM-96B,49,EUROPE_DTV-450	1	S.A	
...3		BN63-01798A	CLOTH-CLEAN;RE40**,CLOTH,180,200,RHCM	1	S.N.A	
...3	T0531	BN63-03031B	COVER-BOTTOM;37,40M81,HIPS,HB,BK500	1	S.N.A	
...3	T0091	HA83-00047A	LP-TAPEACETATE;T0.1MM,W20MM,L200MM	0.05	S.N.A	
0.1	M0019	BN92-03328B	ASSY LABEL;LE37A436T1DXXC	1	S.N.A	
0.1	M0003	BN92-03385A	ASSY BOX;37,L430,EO,TANZANITE	1	S.N.A	
..2	M0521	BN69-01731A	BOX-SET,IN;37M8,CB,C-01,DY-01,AB,W1401,D	1	S.N.A	
..2		BN69-02499A	BOX-SET,OUT;37M8,CB,DY-01,AB,YEL,C3,L430	1	S.N.A	
0.1	M0113	BN92-03387A	ASSY P/MATERIAL;37,L430,TANZANITE	1	S.N.A	
..2	T0524	6902-000524	BAG PE;HDPE/NITRON,T0.015/T0.5,W1200,L11	1	S.N.A	
..2	T0214	AA61-00049B	HOLDER-BOX;DP,AA61-20285A,PP,NTR,V0	2	S.N.A	
..2	T0214	BN74-00008A	TAPE-OPP MASKING;OPP-2,T0.05,W100,L800M,	1.2	S.N.A	
..2	T0081	HA83-00057A	LP-TAPE-CELLULOSE;,HA02-030011,T0,046,W7	0.4	S.N.A	
..2		BN69-02498A	BOX-SET;32M8,CB,DY-01,A,YEL,A1,L430-EURO	1	S.N.A	

5-6. LE40A43*T Parts List**

Level	Location No.	Code No.	Description & Specification	Q'ty	SA/SNA	Remark
		LE40A437T2DXXC	LE40A437T2D,N51A/40M80-GTN,40,LCD-TV,SPA			
0.1	M0001	BN90-01587C	ASSY COVER FRONT;40,L430,EO(IDTV),DECO S	1	S.N.A	
..2	T0003	BN96-04643P	ASSY COVER P-FRONT;40,L430,EO(IDTV),ABS+	1	S.A	
...3	M0081	6003-001188	SCREW-TAPTITE;BH,+,-,B,M4,L10,ZPC(WHT),S	2	S.A	
...3	T0069	AA60-00171E	SPACER-FELT;43L2,FELT,300,T0.5,5	2	S.N.A	
...3		BN63-01151A	FELT-NON WOVEN;MM17NS,-,T0.5,393,10,BLK,	4	S.N.A	
...3	CCM1	BN63-02183E	COVER-SHEET;Rhcm,PE Vinyl,T0.05,750mm,20	0.8	S.N.A	
...3	M0112	BN63-03001J	COVER-FRONT;40L430,EO(iDTV),ABS+PMMA,HB,	1	S.N.A	
....4		BN81-00204P	RESIN-HIGH GLOSS;SF-0505,K21294,ABS HB P	137.400	S.N.A	
...3		BN63-03035F	COVER-DECORATION LEFT;40,L430,ABS,HB,IV-	1	S.N.A	
...3		BN63-03036F	COVER-DECORATION RIGHT;40,L430,ABS,HB,IV	1	S.N.A	
...3	T0022	BN64-00550D	KNOB CONTROL;40,L430,ABS,HB,IV-16,SV-012	1	S.N.A	
...3	M0025	BN96-04642G	ASSY DECORATION P;40,L430,ABS,HB,IV-16,S	1	S.N.A	
....4	T0060	BN61-01655A	SPRING ETC;STS-304 SUS,D8,L12,T0.5	1	S.N.A	
....4		BN61-03261C	BOSS-TAPE;Tulip,ACRYL,T1.1,W24mm,GRAY,TA	0.8	S.N.A	
....4	T0056	BN63-03005F	COVER-DECORATION;40,L430,ABS,HB,IV-16,SV	1	S.N.A	
....5		BN81-00112A	RESIN-C/F;ABS-HB,GR70,HF-0680U,G6757	0.285	S.N.A	
....4	T0056	BN63-03037A	COVER-DECORATION;40M81,ABS+PMMA,-,-,-,HB	1	S.N.A	
....5		BN81-00204P	RESIN-HIGH GLOSS;SF-0505,K21294,ABS HB P	0.025	S.N.A	
....4	T0059	BN64-00366A	INDICATOR LED;ROME-I,PC,CLEAR,ALL MODEL	1	S.N.A	
....4	T0023	BN64-00548A	KNOB POWER;TULIP40,PC VIOLET,V0	1	S.N.A	
....4	T0054	BN64-00549A	KNOB-DECORATION;40M81,ABS,-,-,-,HB,IV-16	1	S.N.A	
...3	M0146	BN96-04884C	ASSY BOARD P-POWER & IR;LNT4042HX/XAA,CT	1	S.A	
...3	M0145	BN96-04901A	ASSY BOARD P-FUNCTION;LNT3771FD,CT5000-4	1	S.A	
..2	T0175	BN96-04771A	ASSY SPEAKER P;8ohm,4pin,Enclosure Type,	1	S.A	
0.1	M0002	BN90-01588A	ASSY COVER REAR;40L430	1	S.N.A	
..2	T0081	6002-001294	SCREW-TAPPING;BH,+,,M4,L16,ZPC(BLK)	1	S.A	
..2	T0081	6002-001294	SCREW-TAPPING;BH,+,,M4,L16,ZPC(BLK)	13	S.A	
..2	T0081	6002-001294	SCREW-TAPPING;BH,+,,M4,L16,ZPC(BLK)	2	S.A	
..2	M0013	BN96-06256A	ASSY COVER P-REAR;40L430,EO(iDTV),HIPS,H	1	S.A	
...3	M0081	6003-001188	SCREW-TAPTITE;BH,+,-,B,M4,L10,ZPC(WHT),S	2	S.A	
...3	T0101	BN61-03348A	BRACKET-WALL;LCD TV 32,SECC T1.2,-,-,-,-	2	S.N.A	
...3	M0006	BN63-04425A	COVER-REAR;40,L430,EO(IDTV),HIPS,-,-,-,H	1	S.N.A	
....4		BN81-00199H	RESIN;HIPS HB,BK500,HF-1690H,K2901	2.861	S.N.A	
...3	T0071	BN64-00819A	INLAY-TERMINAL;L330/L430,EO(IDTV),PS SHE	1	S.N.A	
...3	T0064	BN65-00002A	CLAMPER CORE;BORDEAUX,LDPE,-,-,BLK,-	1	S.N.A	
0.1	M0216	BN90-01589A	ASSY STAND;40L430	1	S.N.A	
..2	T0081	6002-001294	SCREW-TAPPING;BH,+,,M4,L16,ZPC(BLK)	4	S.A	
..2	M0027	BN96-04640A	ASSY STAND P-BASE;- ,37,40M81,-,ABS+PMMA,	1	S.A	
...3	T0081	6002-001294	SCREW-TAPPING;BH,+,,M4,L16,ZPC(BLK)	4	S.A	
...3	M0081	6003-001239	SCREW-TAPTITE;FH,+,-,B,M4,L10,ZPC(WHT),S	8	S.A	
...3		BN61-02248A	HOLDER-SWIVEL RING;40R71,ACETAL NATUAL,T	1	S.N.A	
...3	T0920	BN61-02877A	GUIDE-STAND;TULIP,40,ABS,V0(NT),-,-,-,-,	1	S.N.A	
....4		BN61-02981A	BRACKET-SUPPORT STAND;40 BORDEAUX PLUS,S	1	S.N.A	
....4		BN61-03045A	BRACKET-SUPPORT STAND;40 BORDEAUX PLUS,S	1	S.N.A	
....4		BN81-00204R	RESIN;NT-7200,K2901,ABS V0,BK19,-,-,-	0.3	S.N.A	

5. Exploded View & Part List

Level	Location No.	Code No.	Description & Specification	Q'ty	SA/SNA	Remark
...3		BN61-02883A	BRACKET-STAND BOTTOM;BORDEAUX PLUS,40,SE	1	S.N.A	
...3		BN61-02885A	HOLDER-SWIVEL RING;MURANO40,ACETAL NATUR	1	S.N.A	
...3		BN61-02886A	BRACKET-HINGE SWIVEL;BORDEAUX PLUS,40,SE	1	S.N.A	
...3	CCM1	BN63-02183E	COVER-SHEET;Rhcm,PE Vinyl,T0.05,750mm,20	0.5	S.N.A	
...3	T0004	BN63-03030A	COVER-STAND BASE;40R81,ABS+PMMA,-,-,HB	1	S.N.A	
...4		BN81-00204P	RESIN-HIGH GLOSS;SF-0505,K21294,ABS HB P	0.653	S.N.A	
...3	M0126	BN73-00052C	RUBBER-FOOT;LCD TV,CR RUBBER,T2.0 DIA19,	4	S.N.A	
0.1		BN91-01985C	ASSY LCD-AMLCD;LN40A450C1DXZA,LTF400AA01	1	S.N.A	
..2	M0215	BN07-00523A	LCD-PANEL;LTF400AA01	1	S.A	
0.1	M0017	BN91-02062J	ASSY CHASSIS;LE40A436T1DXXC AMLCD	1	S.N.A	
..2		BN94-01680L	ASSY PCB MAIN-SQH;LE40A436T1DXXC	1	S.A	
...3	T0245	0202-001608	SOLDER-WIRE FLUX;LFC7-107,D0.8,99.3Sn/0.	0.25	S.N.A	
...3	JA3003_3H	3701-001388	CONNECTOR-HDMI;20P,Phosphor Bronze,ANGLE	1	S.A	
...3	JA3004	3701-001480	CONNECTOR-DSUB;15P,3R,FEMAIL,STAMPED PIN	1	S.A	
...3	CN906	3707-001081	CONNECTOR-OPTICAL;STRAIGHT,SPDIF	1	S.A	
...3	JA7201	3709-001508	CONNECTOR-CARD SLOT;68P,1.27mm,PIN,PCMC	1	S.A	
...3	CN330	3711-000058	HEADER-BOARD TO CABLE;BOX,4P,1R,2.5MM,AN	1	S.A	
...3	CN330	3711-004484	HEADER-BOARD TO CABLE;BOX,5P,1R,2mm,STRA	1	S.A	
...3	CN330	3711-004531	HEADER-BOARD TO CABLE;BOX,10P,1R,2mm,ANG	1	S.A	
...3	CN330	3711-005842	HEADER-BOARD TO CABLE;BOX,24P,2R,2MM,STR	1	S.A	
...3	JA330	3722-001061	JACK-PHONE;1P,3.6PI,AG,BLK,N	1	S.A	
...3	JA330	3722-001061	JACK-PHONE;1P,3.6PI,AG,BLK,N	1	S.A	
...3	CN3214_SV	3722-002275	JACK-DIN;4P,-,SN,BLK,-	1	S.A	
...3	JA3204_SH	3722-002680	JACK-EAR PHONE;6P,NiSn,BLK,ANGLE	1	S.A	
...3	JA3201	3722-002681	JACK-SCART;42P,SN,BLK	1	S.A	
...3	JA333	3722-002690	JACK-PIN;3P,Ni,RED/WHT/YEL,ANGLE	1	S.A	
...3	JA333	3722-002691	JACK-PIN;2P,Ni,WHT/RED,STRAIGHT	1	S.A	
...3	JA333	3722-002691	JACK-PIN;2P,Ni,WHT/RED,STRAIGHT	1	S.A	
...3	JA333	3722-002691	JACK-PIN;2P,Ni,WHT/RED,STRAIGHT	1	S.A	
...3	JA333	3722-002703	JACK-PIN;3P,Ni,GRN/BLU/RED,STRAIGHT	1	S.A	
...3	M0107	BN63-04528A	SHIELD-COVER;450 EO,SPT,TO.3,PAL NORMA	1	S.N.A	
...3	HDCP	BN97-00688A	ASSY HDCP;BN46-00018A,PS-42V6S,D73A,GENE	1	S.N.A	
...4		BN46-00018A	KEY CODE-CERTIFICATE;(HDCP KEY)PPM42M5S,	1	S.N.A	
...3	T0174	BN97-02074J	ASSY SMD;LE40A436T1DXXC AMLCD	1	S.N.A	
...4	SUB05	0202-001477	SOLDER-CREAM;LST309-M,-,D20-45##,96.5Sn/	3.137	S.N.A	
...4	D2001	0401-000133	DIODE-SWITCHING;RLS4148,75V,150mA,LL-34,	1	S.A	
...4	D2002	0401-000133	DIODE-SWITCHING;RLS4148,75V,150mA,LL-34,	1	S.A	
...4	D2003	0401-000133	DIODE-SWITCHING;RLS4148,75V,150mA,LL-34,	1	S.A	
...4	D2009	0401-000133	DIODE-SWITCHING;RLS4148,75V,150mA,LL-34,	1	S.A	
...4	D2012	0401-000133	DIODE-SWITCHING;RLS4148,75V,150mA,LL-34,	1	S.A	
...4	D2015	0401-000133	DIODE-SWITCHING;RLS4148,75V,150mA,LL-34,	1	S.A	
...4	D1004	0401-001056	DIODE-SWITCHING;MMBD4148SE,100V,200mA,SO	1	S.A	
...4	D3003	0401-001056	DIODE-SWITCHING;MMBD4148SE,100V,200mA,SO	1	S.A	
...4	D3004	0401-001056	DIODE-SWITCHING;MMBD4148SE,100V,200mA,SO	1	S.A	
...4	D3006	0401-001056	DIODE-SWITCHING;MMBD4148SE,100V,200mA,SO	1	S.A	
...4	D3007	0401-001056	DIODE-SWITCHING;MMBD4148SE,100V,200mA,SO	1	S.A	
...4	D3008	0401-001056	DIODE-SWITCHING;MMBD4148SE,100V,200mA,SO	1	S.A	
...4	D3009	0401-001056	DIODE-SWITCHING;MMBD4148SE,100V,200mA,SO	1	S.A	
...4	D3010	0401-001056	DIODE-SWITCHING;MMBD4148SE,100V,200mA,SO	1	S.A	

5. Exploded View & Part List

Level	Location No.	Code No.	Description & Specification	Q'ty	SA/SNA	Remark
...4	D3011	0401-001056	DIODE-SWITCHING;MMBD4148SE,100V,200mA,SO	1	S.A	
...4	D3012	0401-001056	DIODE-SWITCHING;MMBD4148SE,100V,200mA,SO	1	S.A	
...4	D3013	0401-001056	DIODE-SWITCHING;MMBD4148SE,100V,200mA,SO	1	S.A	
...4	D3016	0401-001056	DIODE-SWITCHING;MMBD4148SE,100V,200mA,SO	1	S.A	
...4	D3017	0401-001056	DIODE-SWITCHING;MMBD4148SE,100V,200mA,SO	1	S.A	
...4	D3019	0401-001056	DIODE-SWITCHING;MMBD4148SE,100V,200mA,SO	1	S.A	
...4	D3021	0401-001056	DIODE-SWITCHING;MMBD4148SE,100V,200mA,SO	1	S.A	
...4	D3022	0401-001056	DIODE-SWITCHING;MMBD4148SE,100V,200mA,SO	1	S.A	
...4	D3023	0401-001056	DIODE-SWITCHING;MMBD4148SE,100V,200mA,SO	1	S.A	
...4	D3024	0401-001056	DIODE-SWITCHING;MMBD4148SE,100V,200mA,SO	1	S.A	
...4	D3025	0401-001056	DIODE-SWITCHING;MMBD4148SE,100V,200mA,SO	1	S.A	
...4	D3026	0401-001056	DIODE-SWITCHING;MMBD4148SE,100V,200mA,SO	1	S.A	
...4	D3027	0401-001056	DIODE-SWITCHING;MMBD4148SE,100V,200mA,SO	1	S.A	
...4	D3030_3H	0401-001056	DIODE-SWITCHING;MMBD4148SE,100V,200mA,SO	1	S.A	
...4	D3031_3H	0401-001056	DIODE-SWITCHING;MMBD4148SE,100V,200mA,SO	1	S.A	
...4	D3034_3H	0401-001056	DIODE-SWITCHING;MMBD4148SE,100V,200mA,SO	1	S.A	
...4	D3035_3H	0401-001056	DIODE-SWITCHING;MMBD4148SE,100V,200mA,SO	1	S.A	
...4	D3036_3H	0401-001056	DIODE-SWITCHING;MMBD4148SE,100V,200mA,SO	1	S.A	
...4	D3037_3H	0401-001056	DIODE-SWITCHING;MMBD4148SE,100V,200mA,SO	1	S.A	
...4	D3038_3H	0401-001056	DIODE-SWITCHING;MMBD4148SE,100V,200mA,SO	1	S.A	
...4	D3039_3H	0401-001056	DIODE-SWITCHING;MMBD4148SE,100V,200mA,SO	1	S.A	
...4	D3040_3H	0401-001056	DIODE-SWITCHING;MMBD4148SE,100V,200mA,SO	1	S.A	
...4	D3041_3H	0401-001056	DIODE-SWITCHING;MMBD4148SE,100V,200mA,SO	1	S.A	
...4	D3045	0401-001056	DIODE-SWITCHING;MMBD4148SE,100V,200mA,SO	1	S.A	
...4	D3046	0401-001056	DIODE-SWITCHING;MMBD4148SE,100V,200mA,SO	1	S.A	
...4	D3047	0401-001056	DIODE-SWITCHING;MMBD4148SE,100V,200mA,SO	1	S.A	
...4	D3061	0401-001056	DIODE-SWITCHING;MMBD4148SE,100V,200mA,SO	1	S.A	
...4	D3062	0401-001056	DIODE-SWITCHING;MMBD4148SE,100V,200mA,SO	1	S.A	
...4	D3064	0401-001056	DIODE-SWITCHING;MMBD4148SE,100V,200mA,SO	1	S.A	
...4	D3066	0401-001056	DIODE-SWITCHING;MMBD4148SE,100V,200mA,SO	1	S.A	
...4	D3078	0401-001056	DIODE-SWITCHING;MMBD4148SE,100V,200mA,SO	1	S.A	
...4	D3202	0401-001056	DIODE-SWITCHING;MMBD4148SE,100V,200mA,SO	1	S.A	
...4	D3203	0401-001056	DIODE-SWITCHING;MMBD4148SE,100V,200mA,SO	1	S.A	
...4	D3204	0401-001056	DIODE-SWITCHING;MMBD4148SE,100V,200mA,SO	1	S.A	
...4	D3205	0401-001056	DIODE-SWITCHING;MMBD4148SE,100V,200mA,SO	1	S.A	
...4	D3206	0401-001056	DIODE-SWITCHING;MMBD4148SE,100V,200mA,SO	1	S.A	
...4	D3217	0401-001056	DIODE-SWITCHING;MMBD4148SE,100V,200mA,SO	1	S.A	
...4	D3218	0401-001056	DIODE-SWITCHING;MMBD4148SE,100V,200mA,SO	1	S.A	
...4	D3219	0401-001056	DIODE-SWITCHING;MMBD4148SE,100V,200mA,SO	1	S.A	
...4	D3230_SA	0401-001056	DIODE-SWITCHING;MMBD4148SE,100V,200mA,SO	1	S.A	
...4	D3236_SH	0401-001056	DIODE-SWITCHING;MMBD4148SE,100V,200mA,SO	1	S.A	
...4	D1002	0401-001099	DIODE-SWITCHING;1N4148WS,75V,150mA,SOD-3	1	S.A	
...4	D2019	0401-001099	DIODE-SWITCHING;1N4148WS,75V,150mA,SOD-3	1	S.A	
...4	D3063	0401-001099	DIODE-SWITCHING;1N4148WS,75V,150mA,SOD-3	1	S.A	
...4	D3065	0401-001099	DIODE-SWITCHING;1N4148WS,75V,150mA,SOD-3	1	S.A	
...4	D3067	0401-001099	DIODE-SWITCHING;1N4148WS,75V,150mA,SOD-3	1	S.A	
...4	D3077	0401-001099	DIODE-SWITCHING;1N4148WS,75V,150mA,SOD-3	1	S.A	
...4	D3079	0401-001099	DIODE-SWITCHING;1N4148WS,75V,150mA,SOD-3	1	S.A	
...4	D3080_3H	0401-001099	DIODE-SWITCHING;1N4148WS,75V,150mA,SOD-3	1	S.A	
...4	D3244_SH	0401-001099	DIODE-SWITCHING;1N4148WS,75V,150mA,SOD-3	1	S.A	
...4	D1001	0402-001098	DIODE-RECTIFIER;SK34,40V,3A,SMC,TP	1	S.A	

5. Exploded View & Part List

Level	Location No.	Code No.	Description & Specification	Q'ty	SA/SNA	Remark
...4	D1098_40_L	0402-001098	DIODE-RECTIFIER;SK34,40V,3A,SMC,TP	1	S.A	
...4	D2008	0403-000002	DIODE-ZENER;VLZ5V6B,5.45/5.73V,500mW,SOD	1	S.A	
...4	D3020	0403-000002	DIODE-ZENER;VLZ5V6B,5.45/5.73V,500mW,SOD	1	S.A	
...4	D3033_3H	0403-000002	DIODE-ZENER;VLZ5V6B,5.45/5.73V,500mW,SOD	1	S.A	
...4	D3048	0403-000002	DIODE-ZENER;VLZ5V6B,5.45/5.73V,500mW,SOD	1	S.A	
...4	D3049	0403-000002	DIODE-ZENER;VLZ5V6B,5.45/5.73V,500mW,SOD	1	S.A	
...4	D3050	0403-000002	DIODE-ZENER;VLZ5V6B,5.45/5.73V,500mW,SOD	1	S.A	
...4	D3051	0403-000002	DIODE-ZENER;VLZ5V6B,5.45/5.73V,500mW,SOD	1	S.A	
...4	D3052	0403-000002	DIODE-ZENER;VLZ5V6B,5.45/5.73V,500mW,SOD	1	S.A	
...4	D3074	0403-000002	DIODE-ZENER;VLZ5V6B,5.45/5.73V,500mW,SOD	1	S.A	
...4	D5001	0403-000002	DIODE-ZENER;VLZ5V6B,5.45/5.73V,500mW,SOD	1	S.A	
...4	D3070	0403-000258	DIODE-ZENER;BZX84C5V6,5.2-6V,225mW,SOT-2	1	S.A	
...4	D3216	0403-000607	DIODE-ZENER;VLZ16C,15.69/16.51V,500mW,SO	1	S.A	
...4	D3229	0403-000607	DIODE-ZENER;VLZ16C,15.69/16.51V,500mW,SO	1	S.A	
...4	D3002	0403-000771	DIODE-ZENER;VLZ6V2B,5.96-6.27V,500mW,SOD	1	S.A	
...4	D3015	0403-000771	DIODE-ZENER;VLZ6V2B,5.96-6.27V,500mW,SOD	1	S.A	
...4	D3029_3H	0403-000771	DIODE-ZENER;VLZ6V2B,5.96-6.27V,500mW,SOD	1	S.A	
...4	D3042	0403-000771	DIODE-ZENER;VLZ6V2B,5.96-6.27V,500mW,SOD	1	S.A	
...4	D5002	0403-000771	DIODE-ZENER;VLZ6V2B,5.96-6.27V,500mW,SOD	1	S.A	
...4	D3001	0403-001052	DIODE-ZENER;RD8.2MB,7.7-8.7V,200mW,SOT-2	1	S.A	
...4	D3014	0403-001052	DIODE-ZENER;RD8.2MB,7.7-8.7V,200mW,SOT-2	1	S.A	
...4	D3028_3H	0403-001052	DIODE-ZENER;RD8.2MB,7.7-8.7V,200mW,SOT-2	1	S.A	
...4	D3208_SV	0403-001052	DIODE-ZENER;RD8.2MB,7.7-8.7V,200mW,SOT-2	1	S.A	
...4	D5201	0403-001052	DIODE-ZENER;RD8.2MB,7.7-8.7V,200mW,SOT-2	1	S.A	
...4	D1005	0403-001425	DIODE-ZENER;BZX84C33,31-35V,350mW,SOT-23	1	S.A	
...4	D0254	0404-001271	DIODE-SCHOTTKY;SSA34,40V,3000mA,SMA,TP	1	S.A	
...4	D3053	0406-001172	DIODE-TVS;CDS3C30GTH,48/-/50V,SMD	1	S.A	
...4	D3054	0406-001172	DIODE-TVS;CDS3C30GTH,48/-/50V,SMD	1	S.A	
...4	D3055	0406-001172	DIODE-TVS;CDS3C30GTH,48/-/50V,SMD	1	S.A	
...4	D3056	0406-001172	DIODE-TVS;CDS3C30GTH,48/-/50V,SMD	1	S.A	
...4	D3057	0406-001172	DIODE-TVS;CDS3C30GTH,48/-/50V,SMD	1	S.A	
...4	D3058	0406-001172	DIODE-TVS;CDS3C30GTH,48/-/50V,SMD	1	S.A	
...4	D3068	0406-001172	DIODE-TVS;CDS3C30GTH,48/-/50V,SMD	1	S.A	
...4	D3069	0406-001172	DIODE-TVS;CDS3C30GTH,48/-/50V,SMD	1	S.A	
...4	D3212	0406-001172	DIODE-TVS;CDS3C30GTH,48/-/50V,SMD	1	S.A	
...4	D3213	0406-001172	DIODE-TVS;CDS3C30GTH,48/-/50V,SMD	1	S.A	
...4	D3214	0406-001172	DIODE-TVS;CDS3C30GTH,48/-/50V,SMD	1	S.A	
...4	D3215	0406-001172	DIODE-TVS;CDS3C30GTH,48/-/50V,SMD	1	S.A	
...4	D3220	0406-001172	DIODE-TVS;CDS3C30GTH,48/-/50V,SMD	1	S.A	
...4	D3221	0406-001172	DIODE-TVS;CDS3C30GTH,48/-/50V,SMD	1	S.A	
...4	D3222	0406-001172	DIODE-TVS;CDS3C30GTH,48/-/50V,SMD	1	S.A	
...4	D3223	0406-001172	DIODE-TVS;CDS3C30GTH,48/-/50V,SMD	1	S.A	
...4	D3224	0406-001172	DIODE-TVS;CDS3C30GTH,48/-/50V,SMD	1	S.A	
...4	D3225	0406-001172	DIODE-TVS;CDS3C30GTH,48/-/50V,SMD	1	S.A	
...4	D3226	0406-001172	DIODE-TVS;CDS3C30GTH,48/-/50V,SMD	1	S.A	
...4	D3227	0406-001172	DIODE-TVS;CDS3C30GTH,48/-/50V,SMD	1	S.A	
...4	D3228	0406-001172	DIODE-TVS;CDS3C30GTH,48/-/50V,SMD	1	S.A	
...4	D3231_SA	0406-001172	DIODE-TVS;CDS3C30GTH,48/-/50V,SMD	1	S.A	
...4	D3232_SA	0406-001172	DIODE-TVS;CDS3C30GTH,48/-/50V,SMD	1	S.A	
...4	D3233_SA	0406-001172	DIODE-TVS;CDS3C30GTH,48/-/50V,SMD	1	S.A	
...4	D3237_SH	0406-001172	DIODE-TVS;CDS3C30GTH,48/-/50V,SMD	1	S.A	

5. Exploded View & Part List

Level	Location No.	Code No.	Description & Specification	Q'ty	SA/SNA	Remark
....4	D3238_SH	0406-001172	DIODE-TVS;CDS3C30GTH,48/-/50V,SMD	1	S.A	
....4	D3239_SV	0406-001172	DIODE-TVS;CDS3C30GTH,48/-/50V,SMD	1	S.A	
....4	D3240_SV	0406-001172	DIODE-TVS;CDS3C30GTH,48/-/50V,SMD	1	S.A	
....4	D2013	0407-000123	DIODE-ARRAY;DAN202K,80V,100mA,CA2-3,SOT-	1	S.A	
....4	D3071	0407-000123	DIODE-ARRAY;DAN202K,80V,100mA,CA2-3,SOT-	1	S.A	
....4	D3072	0407-000123	DIODE-ARRAY;DAN202K,80V,100mA,CA2-3,SOT-	1	S.A	
....4	D7201	0407-000123	DIODE-ARRAY;DAN202K,80V,100mA,CA2-3,SOT-	1	S.A	
....4	D7202	0407-000123	DIODE-ARRAY;DAN202K,80V,100mA,CA2-3,SOT-	1	S.A	
....4	D7203	0407-000123	DIODE-ARRAY;DAN202K,80V,100mA,CA2-3,SOT-	1	S.A	
....4	D7204	0407-000123	DIODE-ARRAY;DAN202K,80V,100mA,CA2-3,SOT-	1	S.A	
....4	D7205	0407-000123	DIODE-ARRAY;DAN202K,80V,100mA,CA2-3,SOT-	1	S.A	
....4	D7206	0407-000123	DIODE-ARRAY;DAN202K,80V,100mA,CA2-3,SOT-	1	S.A	
....4	Q7001	0501-000002	TR-SMALL SIGNAL;KSA812,PNP,150MW,SOT-23,	1	S.A	
....4	Q7002	0501-000002	TR-SMALL SIGNAL;KSA812,PNP,150MW,SOT-23,	1	S.A	
....4	Q7402	0501-000434	TR-SMALL SIGNAL;KTC3875S-GR,NPN,150mW,SO	1	S.A	
....4	Q1001	0501-000445	TR-SMALL SIGNAL;KTC3875S-Y,NPN,150mW,SOT	1	S.A	
....4	Q1002_L	0501-000445	TR-SMALL SIGNAL;KTC3875S-Y,NPN,150mW,SOT	1	S.A	
....4	Q2001	0501-000445	TR-SMALL SIGNAL;KTC3875S-Y,NPN,150mW,SOT	1	S.A	
....4	Q2002	0501-000445	TR-SMALL SIGNAL;KTC3875S-Y,NPN,150mW,SOT	1	S.A	
....4	Q2003	0501-000445	TR-SMALL SIGNAL;KTC3875S-Y,NPN,150mW,SOT	1	S.A	
....4	Q2004	0501-000445	TR-SMALL SIGNAL;KTC3875S-Y,NPN,150mW,SOT	1	S.A	
....4	Q2007	0501-000445	TR-SMALL SIGNAL;KTC3875S-Y,NPN,150mW,SOT	1	S.A	
....4	Q2008	0501-000445	TR-SMALL SIGNAL;KTC3875S-Y,NPN,150mW,SOT	1	S.A	
....4	Q2009	0501-000445	TR-SMALL SIGNAL;KTC3875S-Y,NPN,150mW,SOT	1	S.A	
....4	Q3006	0501-000445	TR-SMALL SIGNAL;KTC3875S-Y,NPN,150mW,SOT	1	S.A	
....4	Q3007	0501-000445	TR-SMALL SIGNAL;KTC3875S-Y,NPN,150mW,SOT	1	S.A	
....4	Q3207	0501-000445	TR-SMALL SIGNAL;KTC3875S-Y,NPN,150mW,SOT	1	S.A	
....4	Q3208	0501-000445	TR-SMALL SIGNAL;KTC3875S-Y,NPN,150mW,SOT	1	S.A	
....4	Q5002	0501-000445	TR-SMALL SIGNAL;KTC3875S-Y,NPN,150mW,SOT	1	S.A	
....4	Q5201	0501-000445	TR-SMALL SIGNAL;KTC3875S-Y,NPN,150mW,SOT	1	S.A	
....4	Q5202	0501-000445	TR-SMALL SIGNAL;KTC3875S-Y,NPN,150mW,SOT	1	S.A	
....4	Q6003_L	0501-000445	TR-SMALL SIGNAL;KTC3875S-Y,NPN,150mW,SOT	1	S.A	
....4	Q2005	0501-000669	TR-SMALL SIGNAL;KTA1505Y,PNP,150mW,SOT-2	1	S.A	
....4	Q2006	0501-000669	TR-SMALL SIGNAL;KTA1505Y,PNP,150mW,SOT-2	1	S.A	
....4	Q3202	0501-000669	TR-SMALL SIGNAL;KTA1505Y,PNP,150mW,SOT-2	1	S.A	
....4	Q3205	0501-000669	TR-SMALL SIGNAL;KTA1505Y,PNP,150mW,SOT-2	1	S.A	
....4	Q1004_L	0501-002080	TR-SMALL SIGNAL;2SC2412K,NPN,200mW,SC-59	1	S.A	
....4	Q3201	0501-002080	TR-SMALL SIGNAL;2SC2412K,NPN,200mW,SC-59	1	S.A	
....4	Q3203	0501-002080	TR-SMALL SIGNAL;2SC2412K,NPN,200mW,SC-59	1	S.A	
....4	Q3204	0501-002080	TR-SMALL SIGNAL;2SC2412K,NPN,200mW,SC-59	1	S.A	
....4	Q3206	0501-002080	TR-SMALL SIGNAL;2SC2412K,NPN,200mW,SC-59	1	S.A	
....4	Q6004_40_L	0501-002080	TR-SMALL SIGNAL;2SC2412K,NPN,200mW,SC-59	1	S.A	
....4	Q409	0505-000110	FET-SILICON;2N7002,N,60V,115mA,7.5ohm,0.	1	S.A	
....4	Q409	0505-000110	FET-SILICON;2N7002,N,60V,115mA,7.5ohm,0.	1	S.A	
....4	Q409	0505-000110	FET-SILICON;2N7002,N,60V,115mA,7.5ohm,0.	1	S.A	
....4	Q409	0505-000110	FET-SILICON;2N7002,N,60V,115mA,7.5ohm,0.	1	S.A	
....4	Q409	0505-000110	FET-SILICON;2N7002,N,60V,115mA,7.5ohm,0.	1	S.A	
....4	Q409	0505-000110	FET-SILICON;2N7002,N,60V,115mA,7.5ohm,0.	1	S.A	
....4	Q409	0505-000110	FET-SILICON;2N7002,N,60V,115mA,7.5ohm,0.	1	S.A	
....4	Q409	0505-000110	FET-SILICON;2N7002,N,60V,115mA,7.5ohm,0.	1	S.A	
....4	Q409	0505-000110	FET-SILICON;2N7002,N,60V,115mA,7.5ohm,0.	1	S.A	
....4	Q409	0505-000110	FET-SILICON;2N7002,N,60V,115mA,7.5ohm,0.	1	S.A	

Level	Location No.	Code No.	Description & Specification	Q'ty	SA/SNA	Remark
...4	Q409	0505-000110	FET-SILICON;2N7002,N,60V,115mA,7.5ohm,0.	1	S.A	
...4	Q409	0505-001165	FET-SILICON;SI3443BDV,P,-20V,+4.4A,65mo	1	S.A	
...4	Q409	0505-001170	FET-SILICON;SI9933ADY-T1,P,-20V,3.4A,0.0	1	S.A	
...4	IC104	0801-002095	IC-CMOS LOGIC;74LCX245,TRANSCEIVER,TSSOP	1	S.A	
...4	IC104	0801-002172	IC-CMOS LOGIC;74LCX16244,BUFFER/LINE DRI	1	S.A	
...4	IC104	0801-002172	IC-CMOS LOGIC;74LCX16244,BUFFER/LINE DRI	1	S.A	
...4	IC104	0801-002172	IC-CMOS LOGIC;74LCX16244,BUFFER/LINE DRI	1	S.A	
...4	IC104	0801-002432	IC-CMOS LOGIC;74LVC244,8BIT BUFFER/DRIVE	1	S.N.A	
...4	IC104	0801-002630	IC-CMOS LOGIC;74AHCT1G08,2-INPUT AND GAT	1	S.A	
...4	IC104	0801-002633	IC-CMOS LOGIC;7WBD3125,2bit BUS SWITCH,S	1	S.A	
...4	IC104	0801-002633	IC-CMOS LOGIC;7WBD3125,2bit BUS SWITCH,S	1	S.A	
...4	IC104	0801-002633	IC-CMOS LOGIC;7WBD3125,2bit BUS SWITCH,S	1	S.A	
...4	IC104	0801-002633	IC-CMOS LOGIC;7WBD3125,2bit BUS SWITCH,S	1	S.A	
...4	IC104	0801-003239	IC-CMOS LOGIC;74LVC1G00,2-input NAND Gat	1	S.A	
...4	IC104	0801-003239	IC-CMOS LOGIC;74LVC1G00,2-input NAND Gat	1	S.A	
...4	IC2002	1001-000164	IC-ANALOG MULTIPLEX;74HC4052,CMOS,SOP,16	1	S.A	
...4	IC5203	1001-000164	IC-ANALOG MULTIPLEX;74HC4052,CMOS,SOP,16	1	S.A	
...4	IC106	1001-001082	IC-VIDEO SWITCH;BA7657F,-,SOP,24P,300MIL	1	S.A	
...4	IC3011	1001-001109	IC-ANALOG SWITCH;FST3125M,BUS SWITCH & C	1	S.A	
...4	IC106	1001-001440	IC-VIDEO SWITCH;SiI9185CTU,QFP,80P,3.3V,	1	S.A	
...4	IC107	1002-001482	IC-D/A CONVERTER;WM8521H9GED/R,16bit,SOI	1	S.A	
...4	IC110	1006-001076	IC-DRIVER/RECEIVER;MAX232ECWE+T,SOP,16P,	1	S.A	
...4	IC112	1103-000129	IC-EEPROM;24C02,2Kbit,256x8Bit,SOP,8P,5x	1	S.A	
...4	IC112	1103-000129	IC-EEPROM;24C02,2Kbit,256x8Bit,SOP,8P,5x	1	S.A	
...4	IC112	1103-000129	IC-EEPROM;24C02,2Kbit,256x8Bit,SOP,8P,5x	1	S.A	
...4	IC112	1103-000129	IC-EEPROM;24C02,2Kbit,256x8Bit,SOP,8P,5x	1	S.A	
...4	IC112	1103-001385	IC-EEPROM;AT24C256,256Kbit,32Kx8,SOP,8P,	1	S.A	
...4	IC112	1103-001410	IC-EEPROM;S-24CS08AFJ-TB-1GE,8Kbit,1Kx8,	1	S.A	
...4	IC113	1105-001712	IC-DRAM;HYB25D256163CE,DDR,256Mbit,16Mx1	1	S.A	
...4	IC5201	1105-001838	IC-DDR SDRAM;EM6A9160TS0A-5G,DDR SDRAM,1	1	S.A	
...4	DU410	1201-000166	IC-OP AMP;LM358,SOP,ST,8P,150MIL,DUAL,10	1	S.A	
...4	DU410	1201-000541	IC-OP AMP;062,SOP,8P,153MIL,DUAL,6V/mV,P	1	S.A	
...4	DU410	1201-000541	IC-OP AMP;062,SOP,8P,153MIL,DUAL,6V/mV,P	1	S.A	
...4	T0085	1201-002487	IC-AUDIO AMP;MAX9728A,QFN,12P,3x3mm,DUAL	1	S.A	
...4	T0124	1201-002677	IC-POWER AMP;NTP3100,QFN56,56P,8x8mm,DUA	1	S.A	
...4	T0087	1203-001815	IC-POSI.FIXED REG.;78M09,TO-252,3P,-,PLA	1	S.A	
...4	T0087	1203-002842	IC-POSI.FIXED REG.;AP1117D-33A,TO-252,3P	1	S.A	
...4	T0087	1203-002974	IC-POSI.FIXED REG.;AP1117D-25A,TO-252,3P	1	S.A	
...4	IC012	1203-002995	IC-POSI.ADJUST REG.;AP1117D-A,TO-252,3P,	1	S.A	
...4	IC012	1203-002995	IC-POSI.ADJUST REG.;AP1117D-A,TO-252,3P,	1	S.A	
...4	IC012	1203-002995	IC-POSI.ADJUST REG.;AP1117D-A,TO-252,3P,	1	S.A	
...4	IC012	1203-002995	IC-POSI.ADJUST REG.;AP1117D-A,TO-252,3P,	1	S.A	
...4	T0170	1203-003059	IC-SWITCH VOL. REG.;MP1583,SOIC,8P,4.9x3	1	S.A	
...4	IC7206	1203-003394	IC-POWER SUPERVISOR;MIC2544-1YM,SOP,8P,4	1	S.A	
...4	T0087	1203-003696	IC-POSI.FIXED REG.;NCP1117DT18T5G,DPAK,3	1	S.A	
...4	IC5002	1203-004363	IC-VOL. DETECTOR;RT9818C-29PV,SOT-23,3P,	1	S.A	
...4	IC2005	1203-004364	IC-VOL. DETECTOR;RT9818C-42PV,SOT-23,3P,	1	S.A	
...4	IC7402	1203-004364	IC-VOL. DETECTOR;RT9818C-42PV,SOT-23,3P,	1	S.A	
...4	T0087	1203-004816	IC-POSI.FIXED REG.;KIA78D015F,DPAK,3P,6.	1	S.A	
...4	IC118	1204-002779	IC-VIDEO PROCESS;S4LF122X01,PBGA,208P,17	1	S.A	
...4	IC7001	1204-002861	IC-DECODER;UPD61211GM-104-GAA-A,QFP,216P	1	S.A	

5. Exploded View & Part List

Level	Location No.	Code No.	Description & Specification	Q'ty	SA/SNA	Remark
...4	IC109	1205-003432	IC-LCD CONTROLLER;SEMS01,LQFP,256P,30x30	1	S.A	
...4	IC3012	1405-001185	VARISTOR;24Vdc,1.6x0.8x0.36mm,TP	1	S.A	
...4	IC3013	1405-001185	VARISTOR;24Vdc,1.6x0.8x0.36mm,TP	1	S.A	
...4	IC3014_3H	1405-001185	VARISTOR;24Vdc,1.6x0.8x0.36mm,TP	1	S.A	
...4	R110	2007-000060	R-CHIP;100Kohm,1%,1/10W,TP,1608	1	S.A	
...4	R110	2007-000066	R-CHIP;20Kohm,1%,1/10W,TP,1608	1	S.A	
...4	R110	2007-000067	R-CHIP;15Kohm,1%,1/10W,TP,1608	1	S.A	
...4	R110	2007-000133	R-CHIP;330Kohm,5%,1/10W,TP,1608	1	S.A	
...4	R110	2007-000137	R-CHIP;2Kohm,5%,1/16W,TP,1005	1	S.N.A	
...4	R110	2007-000137	R-CHIP;2Kohm,5%,1/16W,TP,1005	1	S.N.A	
...4	R110	2007-000137	R-CHIP;2Kohm,5%,1/16W,TP,1005	1	S.N.A	
...4	R110	2007-000137	R-CHIP;2Kohm,5%,1/16W,TP,1005	1	S.N.A	
...4	R110	2007-000137	R-CHIP;2Kohm,5%,1/16W,TP,1005	1	S.N.A	
...4	R110	2007-000137	R-CHIP;2Kohm,5%,1/16W,TP,1005	1	S.N.A	
...4	R110	2007-000137	R-CHIP;2Kohm,5%,1/16W,TP,1005	1	S.N.A	
...4	R110	2007-000138	R-CHIP;100ohm,5%,1/16W,TP,1005	1	S.N.A	
...4	R110	2007-000138	R-CHIP;100ohm,5%,1/16W,TP,1005	1	S.N.A	
...4	R110	2007-000138	R-CHIP;100ohm,5%,1/16W,TP,1005	1	S.N.A	
...4	R110	2007-000138	R-CHIP;100ohm,5%,1/16W,TP,1005	1	S.N.A	
...4	R110	2007-000138	R-CHIP;100ohm,5%,1/16W,TP,1005	1	S.N.A	
...4	R110	2007-000138	R-CHIP;100ohm,5%,1/16W,TP,1005	1	S.N.A	
...4	R110	2007-000138	R-CHIP;100ohm,5%,1/16W,TP,1005	1	S.N.A	
...4	R110	2007-000138	R-CHIP;100ohm,5%,1/16W,TP,1005	1	S.N.A	
...4	R110	2007-000138	R-CHIP;100ohm,5%,1/16W,TP,1005	1	S.N.A	
...4	R110	2007-000138	R-CHIP;100ohm,5%,1/16W,TP,1005	1	S.N.A	
...4	R110	2007-000138	R-CHIP;100ohm,5%,1/16W,TP,1005	1	S.N.A	
...4	R110	2007-000138	R-CHIP;100ohm,5%,1/16W,TP,1005	1	S.N.A	
...4	R110	2007-000138	R-CHIP;100ohm,5%,1/16W,TP,1005	1	S.N.A	
...4	R110	2007-000138	R-CHIP;100ohm,5%,1/16W,TP,1005	1	S.N.A	
...4	R110	2007-000138	R-CHIP;100ohm,5%,1/16W,TP,1005	1	S.N.A	
...4	R110	2007-000138	R-CHIP;100ohm,5%,1/16W,TP,1005	1	S.N.A	
...4	R110	2007-000138	R-CHIP;100ohm,5%,1/16W,TP,1005	1	S.N.A	
...4	R110	2007-000138	R-CHIP;100ohm,5%,1/16W,TP,1005	1	S.N.A	
...4	R110	2007-000138	R-CHIP;100ohm,5%,1/16W,TP,1005	1	S.N.A	
...4	R110	2007-000138	R-CHIP;100ohm,5%,1/16W,TP,1005	1	S.N.A	
...4	R110	2007-000138	R-CHIP;100ohm,5%,1/16W,TP,1005	1	S.N.A	
...4	R110	2007-000138	R-CHIP;100ohm,5%,1/16W,TP,1005	1	S.N.A	
...4	R110	2007-000138	R-CHIP;100ohm,5%,1/16W,TP,1005	1	S.N.A	
...4	R110	2007-000138	R-CHIP;100ohm,5%,1/16W,TP,1005	1	S.N.A	
...4	R110	2007-000138	R-CHIP;100ohm,5%,1/16W,TP,1005	1	S.N.A	
...4	R110	2007-000138	R-CHIP;100ohm,5%,1/16W,TP,1005	1	S.N.A	
...4	R110	2007-000138	R-CHIP;100ohm,5%,1/16W,TP,1005	1	S.N.A	
...4	R110	2007-000138	R-CHIP;100ohm,5%,1/16W,TP,1005	1	S.N.A	
...4	R110	2007-000138	R-CHIP;100ohm,5%,1/16W,TP,1005	1	S.N.A	
...4	R110	2007-000138	R-CHIP;100ohm,5%,1/16W,TP,1005	1	S.N.A	
...4	R110	2007-000138	R-CHIP;100ohm,5%,1/16W,TP,1005	1	S.N.A	
...4	R110	2007-000138	R-CHIP;100ohm,5%,1/16W,TP,1005	1	S.N.A	
...4	R110	2007-000138	R-CHIP;100ohm,5%,1/16W,TP,1005	1	S.N.A	

5. Exploded View & Part List

Level	Location No.	Code No.	Description & Specification	Q'ty	SA/SNA	Remark
...4	R110	2007-000174	R-CHIP;47ohm,5%,1/16W,TP,1005	1	S.N.A	
...4	R110	2007-000174	R-CHIP;47ohm,5%,1/16W,TP,1005	1	S.N.A	
...4	R110	2007-000242	R-CHIP;1.5Kohm,5%,1/16W,TP,1005	1	S.N.A	
...4	R110	2007-000775	R-CHIP;33Kohm,5%,1/16W,TP,1005	1	S.N.A	
...4	R110	2007-000775	R-CHIP;33Kohm,5%,1/16W,TP,1005	1	S.N.A	
...4	R110	2007-000775	R-CHIP;33Kohm,5%,1/16W,TP,1005	1	S.N.A	
...4	R110	2007-000775	R-CHIP;33Kohm,5%,1/16W,TP,1005	1	S.N.A	
...4	R110	2007-000775	R-CHIP;33Kohm,5%,1/16W,TP,1005	1	S.N.A	
...4	R110	2007-000775	R-CHIP;33Kohm,5%,1/16W,TP,1005	1	S.N.A	
...4	R110	2007-000831	R-CHIP;39Kohm,5%,1/16W,TP,1005	1	S.A	
...4	R110	2007-000831	R-CHIP;39Kohm,5%,1/16W,TP,1005	1	S.A	
...4	R110	2007-000831	R-CHIP;39Kohm,5%,1/16W,TP,1005	1	S.A	
...4	R110	2007-000932	R-CHIP;470ohm,5%,1/16W,TP,1005	1	S.N.A	
...4	R110	2007-000932	R-CHIP;470ohm,5%,1/16W,TP,1005	1	S.N.A	
...4	R110	2007-000932	R-CHIP;470ohm,5%,1/16W,TP,1005	1	S.N.A	
...4	R110	2007-000932	R-CHIP;470ohm,5%,1/16W,TP,1005	1	S.N.A	
...4	R110	2007-000932	R-CHIP;470ohm,5%,1/16W,TP,1005	1	S.N.A	
...4	R110	2007-000932	R-CHIP;470ohm,5%,1/16W,TP,1005	1	S.N.A	
...4	R110	2007-000932	R-CHIP;470ohm,5%,1/16W,TP,1005	1	S.N.A	
...4	R110	2007-000932	R-CHIP;470ohm,5%,1/16W,TP,1005	1	S.N.A	
...4	R110	2007-000932	R-CHIP;470ohm,5%,1/16W,TP,1005	1	S.N.A	
...4	R110	2007-000932	R-CHIP;470ohm,5%,1/16W,TP,1005	1	S.N.A	
...4	R110	2007-000932	R-CHIP;470ohm,5%,1/16W,TP,1005	1	S.N.A	
...4	R110	2007-000932	R-CHIP;470ohm,5%,1/16W,TP,1005	1	S.N.A	
...4	R110	2007-000932	R-CHIP;470ohm,5%,1/16W,TP,1005	1	S.N.A	
...4	R110	2007-000950	R-CHIP;47ohm,5%,1/4W,TP,3216	1	S.A	
...4	R110	2007-000950	R-CHIP;47ohm,5%,1/4W,TP,3216	1	S.A	
...4	R110	2007-000950	R-CHIP;47ohm,5%,1/4W,TP,3216	1	S.A	
...4	R110	2007-000950	R-CHIP;47ohm,5%,1/4W,TP,3216	1	S.A	
...4	R110	2007-000950	R-CHIP;47ohm,5%,1/4W,TP,3216	1	S.A	
...4	R110	2007-000950	R-CHIP;47ohm,5%,1/4W,TP,3216	1	S.A	
...4	R110	2007-000950	R-CHIP;47ohm,5%,1/4W,TP,3216	1	S.A	
...4	R110	2007-000950	R-CHIP;47ohm,5%,1/4W,TP,3216	1	S.A	
...4	R110	2007-000950	R-CHIP;47ohm,5%,1/4W,TP,3216	1	S.A	
...4	R110	2007-000950	R-CHIP;47ohm,5%,1/4W,TP,3216	1	S.A	
...4	R110	2007-000979	R-CHIP;5.6Kohm,1%,1/10W,TP,1608	1	S.A	
...4	R110	2007-001044	R-CHIP;56ohm,5%,1/10W,TP,1608	1	S.A	
...4	R110	2007-001044	R-CHIP;56ohm,5%,1/10W,TP,1608	1	S.A	
...4	R110	2007-001044	R-CHIP;56ohm,5%,1/10W,TP,1608	1	S.A	
...4	R110	2007-001044	R-CHIP;56ohm,5%,1/10W,TP,1608	1	S.A	
...4	R110	2007-001044	R-CHIP;56ohm,5%,1/10W,TP,1608	1	S.A	
...4	R110	2007-001167	R-CHIP;75ohm,5%,1/10W,TP,1608	1	S.A	
...4	R110	2007-001167	R-CHIP;75ohm,5%,1/10W,TP,1608	1	S.A	
...4	R110	2007-001167	R-CHIP;75ohm,5%,1/10W,TP,1608	1	S.A	
...4	R110	2007-001167	R-CHIP;75ohm,5%,1/10W,TP,1608	1	S.A	
...4	R110	2007-001167	R-CHIP;75ohm,5%,1/10W,TP,1608	1	S.A	
...4	R110	2007-001167	R-CHIP;75ohm,5%,1/10W,TP,1608	1	S.A	

5. Exploded View & Part List

Level	Location No.	Code No.	Description & Specification	Q'ty	SA/SNA	Remark
....4	R110	2007-001333	R-CHIP;18Kohm,5%,1/16W,TP,1005	1	S.N.A	
....4	R110	2007-001333	R-CHIP;18Kohm,5%,1/16W,TP,1005	1	S.N.A	
....4	R110	2007-002425	R-CHIP;1ohm,5%,1/10W,TP,1608	1	S.A	
....4	R110	2007-002425	R-CHIP;1ohm,5%,1/10W,TP,1608	1	S.A	
....4	R110	2007-002425	R-CHIP;1ohm,5%,1/10W,TP,1608	1	S.A	
....4	R110	2007-002425	R-CHIP;1ohm,5%,1/10W,TP,1608	1	S.A	
....4	R110	2007-002425	R-CHIP;1ohm,5%,1/10W,TP,1608	1	S.A	
....4	R110	2007-002425	R-CHIP;1ohm,5%,1/10W,TP,1608	1	S.A	
....4	R110	2007-002425	R-CHIP;1ohm,5%,1/10W,TP,1608	1	S.A	
....4	R110	2007-002425	R-CHIP;1ohm,5%,1/10W,TP,1608	1	S.A	
....4	R110	2007-002796	R-CHIP;510ohm,5%,1/16W,TP,1005	1	S.A	
....4	R110	2007-007107	R-CHIP;100Kohm,1%,1/16W,TP,1005	1	S.N.A	
....4	R110	2007-007136	R-CHIP;4.7Kohm,1%,1/16W,TP,1005	1	S.N.A	
....4	R110	2007-007141	R-CHIP;240ohm,5%,1/16W,TP,1005	1	S.N.A	
....4	R110	2007-007142	R-CHIP;10Kohm,1%,1/16W,TP,1005	1	S.N.A	
....4	R110	2007-007142	R-CHIP;10Kohm,1%,1/16W,TP,1005	1	S.N.A	
....4	R110	2007-007142	R-CHIP;10Kohm,1%,1/16W,TP,1005	1	S.N.A	
....4	R110	2007-007142	R-CHIP;10Kohm,1%,1/16W,TP,1005	1	S.N.A	
....4	R110	2007-007142	R-CHIP;10Kohm,1%,1/16W,TP,1005	1	S.N.A	
....4	R110	2007-007142	R-CHIP;10Kohm,1%,1/16W,TP,1005	1	S.N.A	
....4	R110	2007-007142	R-CHIP;10Kohm,1%,1/16W,TP,1005	1	S.N.A	
....4	R110	2007-007142	R-CHIP;10Kohm,1%,1/16W,TP,1005	1	S.N.A	
....4	R110	2007-007142	R-CHIP;10Kohm,1%,1/16W,TP,1005	1	S.N.A	
....4	R110	2007-007142	R-CHIP;10Kohm,1%,1/16W,TP,1005	1	S.N.A	
....4	R110	2007-007142	R-CHIP;10Kohm,1%,1/16W,TP,1005	1	S.N.A	
....4	R110	2007-007142	R-CHIP;10Kohm,1%,1/16W,TP,1005	1	S.N.A	
....4	R110	2007-007306	R-CHIP;100ohm,1%,1/16W,TP,1005	1	S.N.A	
....4	R110	2007-007306	R-CHIP;100ohm,1%,1/16W,TP,1005	1	S.N.A	
....4	R110	2007-007306	R-CHIP;100ohm,1%,1/16W,TP,1005	1	S.N.A	
....4	R110	2007-007306	R-CHIP;100ohm,1%,1/16W,TP,1005	1	S.N.A	
....4	R110	2007-007307	R-CHIP;150ohm,1%,1/16W,TP,1005	1	S.N.A	
....4	R110	2007-007319	R-CHIP;390ohm,1%,1/16W,TP,1005	1	S.N.A	
....4	R110	2007-007334	R-CHIP;200Kohm,1%,1/16W,TP,1005	1	S.N.A	
....4	R110	2007-007334	R-CHIP;200Kohm,1%,1/16W,TP,1005	1	S.N.A	
....4	R110	2007-007334	R-CHIP;200Kohm,1%,1/16W,TP,1005	1	S.N.A	
....4	R110	2007-007469	R-CHIP;110ohm,1%,1/16W,TP,1005	1	S.N.A	
....4	R110	2007-007791	R-CHIP;9.1Kohm,1%,1/16W,TP,1005	1	S.N.A	
....4	R110	2007-007791	R-CHIP;9.1Kohm,1%,1/16W,TP,1005	1	S.N.A	
....4	R110	2007-008429	R-CHIP;499ohm,1%,1/16W,TP,1005	1	S.N.A	
....4	R110	2007-008649	R-CHIP;220ohm,1%,1/16W,TP,1005	1	S.N.A	
....4	RA5012	2011-000585	R-NETWORK;47ohm,5%,1/16W,L,CHIP,8P,TP,3.	1	S.A	
....4	RA5013	2011-000585	R-NETWORK;47ohm,5%,1/16W,L,CHIP,8P,TP,3.	1	S.A	
....4	RA5014	2011-000585	R-NETWORK;47ohm,5%,1/16W,L,CHIP,8P,TP,3.	1	S.A	
....4	RA6007_L	2011-000686	R-NETWORK;56ohm,5%,1/16W,L,CHIP,8P,TP,3.	1	S.A	
....4	RA5021	2011-000881	R-NETWORK;33ohm,5%,1/16W,L,CHIP,8P,TP,3.	1	S.A	
....4	RA5022	2011-000881	R-NETWORK;33ohm,5%,1/16W,L,CHIP,8P,TP,3.	1	S.A	
....4	RA5023	2011-000881	R-NETWORK;33ohm,5%,1/16W,L,CHIP,8P,TP,3.	1	S.A	
....4	RA5201	2011-000881	R-NETWORK;33ohm,5%,1/16W,L,CHIP,8P,TP,3.	1	S.A	
....4	RA5202	2011-000881	R-NETWORK;33ohm,5%,1/16W,L,CHIP,8P,TP,3.	1	S.A	
....4	RA5203	2011-000881	R-NETWORK;33ohm,5%,1/16W,L,CHIP,8P,TP,3.	1	S.A	

5. Exploded View & Part List

Level	Location No.	Code No.	Description & Specification	Q'ty	SA/SNA	Remark
...4	RA5204	2011-000881	R-NETWORK;33ohm,5%,1/16W,L,CHIP,8P,TP,3.	1	S.A	
...4	RA5205	2011-000881	R-NETWORK;33ohm,5%,1/16W,L,CHIP,8P,TP,3.	1	S.A	
...4	RA7203	2011-000881	R-NETWORK;33ohm,5%,1/16W,L,CHIP,8P,TP,3.	1	S.A	
...4	RA7204	2011-000881	R-NETWORK;33ohm,5%,1/16W,L,CHIP,8P,TP,3.	1	S.A	
...4	RA5006	2011-001001	R-NETWORK;0ohm,5%,1/16W,L,CHIP,8P,TP,3.2	1	S.A	
...4	RA6004_FBE	2011-001001	R-NETWORK;0ohm,5%,1/16W,L,CHIP,8P,TP,3.2	1	S.A	
...4	RA6005_FBE	2011-001001	R-NETWORK;0ohm,5%,1/16W,L,CHIP,8P,TP,3.2	1	S.A	
...4	RA6006_FBE	2011-001001	R-NETWORK;0ohm,5%,1/16W,L,CHIP,8P,TP,3.2	1	S.A	
...4	RA5001	2011-001011	R-NETWORK;10Kohm,5%,1/16W,L,CHIP,8P,TP,3	1	S.A	
...4	RA5002	2011-001011	R-NETWORK;10Kohm,5%,1/16W,L,CHIP,8P,TP,3	1	S.A	
...4	RA5003	2011-001011	R-NETWORK;10Kohm,5%,1/16W,L,CHIP,8P,TP,3	1	S.A	
...4	RA5004	2011-001011	R-NETWORK;10Kohm,5%,1/16W,L,CHIP,8P,TP,3	1	S.A	
...4	RA5015	2011-001011	R-NETWORK;10Kohm,5%,1/16W,L,CHIP,8P,TP,3	1	S.A	
...4	RA5025	2011-001011	R-NETWORK;10Kohm,5%,1/16W,L,CHIP,8P,TP,3	1	S.A	
...4	RA5030	2011-001011	R-NETWORK;10Kohm,5%,1/16W,L,CHIP,8P,TP,3	1	S.A	
...4	RA5031	2011-001011	R-NETWORK;10Kohm,5%,1/16W,L,CHIP,8P,TP,3	1	S.A	
...4	RA5034	2011-001011	R-NETWORK;10Kohm,5%,1/16W,L,CHIP,8P,TP,3	1	S.A	
...4	RA7009	2011-001011	R-NETWORK;10Kohm,5%,1/16W,L,CHIP,8P,TP,3	1	S.A	
...4	RA7010	2011-001011	R-NETWORK;10Kohm,5%,1/16W,L,CHIP,8P,TP,3	1	S.A	
...4	RA7011	2011-001011	R-NETWORK;10Kohm,5%,1/16W,L,CHIP,8P,TP,3	1	S.A	
...4	RA7012	2011-001011	R-NETWORK;10Kohm,5%,1/16W,L,CHIP,8P,TP,3	1	S.A	
...4	RA7209	2011-001011	R-NETWORK;10Kohm,5%,1/16W,L,CHIP,8P,TP,3	1	S.A	
...4	RA7001	2011-001087	R-NETWORK;75ohm,5%,1/16W,L,CHIP,8P,TP,3.	1	S.A	
...4	RA7002	2011-001087	R-NETWORK;75ohm,5%,1/16W,L,CHIP,8P,TP,3.	1	S.A	
...4	RA7003	2011-001087	R-NETWORK;75ohm,5%,1/16W,L,CHIP,8P,TP,3.	1	S.A	
...4	RA7004	2011-001087	R-NETWORK;75ohm,5%,1/16W,L,CHIP,8P,TP,3.	1	S.A	
...4	RA7005	2011-001087	R-NETWORK;75ohm,5%,1/16W,L,CHIP,8P,TP,3.	1	S.A	
...4	RA7006	2011-001087	R-NETWORK;75ohm,5%,1/16W,L,CHIP,8P,TP,3.	1	S.A	
...4	RA7007	2011-001087	R-NETWORK;75ohm,5%,1/16W,L,CHIP,8P,TP,3.	1	S.A	
...4	RA7008	2011-001087	R-NETWORK;75ohm,5%,1/16W,L,CHIP,8P,TP,3.	1	S.A	
...4	RA7205	2011-001087	R-NETWORK;75ohm,5%,1/16W,L,CHIP,8P,TP,3.	1	S.A	
...4	RA7210	2011-001087	R-NETWORK;75ohm,5%,1/16W,L,CHIP,8P,TP,3.	1	S.A	
...4	RA5005	2011-001093	R-NETWORK;100ohm,5%,1/16W,L,CHIP,8P,TP,3	1	S.A	
...4	RA5007	2011-001093	R-NETWORK;100ohm,5%,1/16W,L,CHIP,8P,TP,3	1	S.A	
...4	RA5008	2011-001093	R-NETWORK;100ohm,5%,1/16W,L,CHIP,8P,TP,3	1	S.A	
...4	RA5016	2011-001093	R-NETWORK;100ohm,5%,1/16W,L,CHIP,8P,TP,3	1	S.A	
...4	RA5017	2011-001093	R-NETWORK;100ohm,5%,1/16W,L,CHIP,8P,TP,3	1	S.A	
...4	RA5018	2011-001093	R-NETWORK;100ohm,5%,1/16W,L,CHIP,8P,TP,3	1	S.A	
...4	RA5019	2011-001093	R-NETWORK;100ohm,5%,1/16W,L,CHIP,8P,TP,3	1	S.A	
...4	RA5020	2011-001093	R-NETWORK;100ohm,5%,1/16W,L,CHIP,8P,TP,3	1	S.A	
...4	RA5026	2011-001093	R-NETWORK;100ohm,5%,1/16W,L,CHIP,8P,TP,3	1	S.A	
...4	RA5027	2011-001093	R-NETWORK;100ohm,5%,1/16W,L,CHIP,8P,TP,3	1	S.A	
...4	RA5028	2011-001093	R-NETWORK;100ohm,5%,1/16W,L,CHIP,8P,TP,3	1	S.A	
...4	RA5029	2011-001093	R-NETWORK;100ohm,5%,1/16W,L,CHIP,8P,TP,3	1	S.A	
...4	RA5032	2011-001093	R-NETWORK;100ohm,5%,1/16W,L,CHIP,8P,TP,3	1	S.A	
...4	RA5033	2011-001093	R-NETWORK;100ohm,5%,1/16W,L,CHIP,8P,TP,3	1	S.A	
...4	RA7201	2011-001093	R-NETWORK;100ohm,5%,1/16W,L,CHIP,8P,TP,3	1	S.A	
...4	RA7202	2011-001093	R-NETWORK;100ohm,5%,1/16W,L,CHIP,8P,TP,3	1	S.A	
...4	C120	2203-000233	C-CER,CHIP;0.1nF,5%,50V,C0G,1005	1	S.A	
...4	C120	2203-000233	C-CER,CHIP;0.1nF,5%,50V,C0G,1005	1	S.A	
...4	C120	2203-000233	C-CER,CHIP;0.1nF,5%,50V,C0G,1005	1	S.A	

5. Exploded View & Part List

Level	Location No.	Code No.	Description & Specification	Q'ty	SA/SNA	Remark
...4	C120	2203-000489	C-CER,CHIP;2.2nF,10%,50V,X7R,1005	1	S.A	
...4	C120	2203-000489	C-CER,CHIP;2.2nF,10%,50V,X7R,1005	1	S.A	
...4	C120	2203-000489	C-CER,CHIP;2.2nF,10%,50V,X7R,1005	1	S.A	
...4	C120	2203-000489	C-CER,CHIP;2.2nF,10%,50V,X7R,1005	1	S.A	
...4	C120	2203-000489	C-CER,CHIP;2.2nF,10%,50V,X7R,1005	1	S.A	
...4	C120	2203-000489	C-CER,CHIP;2.2nF,10%,50V,X7R,1005	1	S.A	
...4	C120	2203-000489	C-CER,CHIP;2.2nF,10%,50V,X7R,1005	1	S.A	
...4	C120	2203-000489	C-CER,CHIP;2.2nF,10%,50V,X7R,1005	1	S.A	
...4	C120	2203-000585	C-CER,CHIP;0.22nF,10%,50V,X7R,1005	1	S.A	
...4	C120	2203-000627	C-CER,CHIP;0.022nF,5%,50V,C0G,1005	1	S.N.A	
...4	C120	2203-000627	C-CER,CHIP;0.022nF,5%,50V,C0G,1005	1	S.N.A	
...4	C120	2203-000627	C-CER,CHIP;0.022nF,5%,50V,C0G,1005	1	S.N.A	
...4	C120	2203-000627	C-CER,CHIP;0.022nF,5%,50V,C0G,1005	1	S.N.A	
...4	C120	2203-000627	C-CER,CHIP;0.022nF,5%,50V,C0G,1005	1	S.N.A	
...4	C120	2203-000627	C-CER,CHIP;0.022nF,5%,50V,C0G,1005	1	S.N.A	
...4	C120	2203-000627	C-CER,CHIP;0.022nF,5%,50V,C0G,1005	1	S.N.A	
...4	C120	2203-000815	C-CER,CHIP;0.033nF,5%,50V,C0G,1608	1	S.A	
...4	C120	2203-000815	C-CER,CHIP;0.033nF,5%,50V,C0G,1608	1	S.A	
...4	C120	2203-000815	C-CER,CHIP;0.033nF,5%,50V,C0G,1608	1	S.A	
...4	C120	2203-000815	C-CER,CHIP;0.033nF,5%,50V,C0G,1608	1	S.A	
...4	C120	2203-000925	C-CER,CHIP;470nF,+80-20%,50V,Y5V,2012	1	S.A	
...4	C120	2203-000925	C-CER,CHIP;470nF,+80-20%,50V,Y5V,2012	1	S.A	
...4	C120	2203-000925	C-CER,CHIP;470nF,+80-20%,50V,Y5V,2012	1	S.A	
...4	C120	2203-000975	C-CER,CHIP;47nF,10%,25V,X7R,TP,1608,-	1	S.A	
...4	C120	2203-001153	C-CER,CHIP;0.068nF,5%,50V,NP0,1005	1	S.A	
...4	C120	2203-001153	C-CER,CHIP;0.068nF,5%,50V,NP0,1005	1	S.A	
...4	C120	2203-001153	C-CER,CHIP;0.068nF,5%,50V,NP0,1005	1	S.A	
...4	C120	2203-001153	C-CER,CHIP;0.068nF,5%,50V,NP0,1005	1	S.A	
...4	C120	2203-001630	C-CER,CHIP;330nF,+80-20%,16V,Y5V,1608	1	S.A	
...4	C120	2203-001630	C-CER,CHIP;330nF,+80-20%,16V,Y5V,1608	1	S.A	
...4	C120	2203-001630	C-CER,CHIP;330nF,+80-20%,16V,Y5V,1608	1	S.A	
...4	C120	2203-002398	C-CER,CHIP;22nF,10%,50V,X7R,1608	1	S.A	
...4	C120	2203-002398	C-CER,CHIP;22nF,10%,50V,X7R,1608	1	S.A	
...4	C120	2203-002398	C-CER,CHIP;22nF,10%,50V,X7R,1608	1	S.A	
...4	C120	2203-002398	C-CER,CHIP;22nF,10%,50V,X7R,1608	1	S.A	
...4	C120	2203-002525	C-CER,CHIP;0.56nF,10%,50V,X7R,TP,1005	1	S.N.A	
...4	C120	2203-002525	C-CER,CHIP;0.56nF,10%,50V,X7R,TP,1005	1	S.N.A	
...4	C120	2203-002525	C-CER,CHIP;0.56nF,10%,50V,X7R,TP,1005	1	S.N.A	
...4	C120	2203-002525	C-CER,CHIP;0.56nF,10%,50V,X7R,TP,1005	1	S.N.A	
...4	C120	2203-002525	C-CER,CHIP;0.56nF,10%,50V,X7R,TP,1005	1	S.N.A	
...4	C120	2203-002525	C-CER,CHIP;0.56nF,10%,50V,X7R,TP,1005	1	S.N.A	
...4	C120	2203-002525	C-CER,CHIP;0.56nF,10%,50V,X7R,TP,1005	1	S.N.A	
...4	C120	2203-002525	C-CER,CHIP;0.56nF,10%,50V,X7R,TP,1005	1	S.N.A	
...4	C120	2203-002525	C-CER,CHIP;0.56nF,10%,50V,X7R,TP,1005	1	S.N.A	
...4	C120	2203-002525	C-CER,CHIP;0.56nF,10%,50V,X7R,TP,1005	1	S.N.A	
...4	C120	2203-002525	C-CER,CHIP;0.56nF,10%,50V,X7R,TP,1005	1	S.N.A	
...4	C120	2203-002525	C-CER,CHIP;0.56nF,10%,50V,X7R,TP,1005	1	S.N.A	
...4	C120	2203-002525	C-CER,CHIP;0.56nF,10%,50V,X7R,TP,1005	1	S.N.A	
...4	C120	2203-002525	C-CER,CHIP;0.56nF,10%,50V,X7R,TP,1005	1	S.N.A	
...4	C120	2203-002525	C-CER,CHIP;0.56nF,10%,50V,X7R,TP,1005	1	S.N.A	
...4	C120	2203-002525	C-CER,CHIP;0.56nF,10%,50V,X7R,TP,1005	1	S.N.A	
...4	C120	2203-002525	C-CER,CHIP;0.56nF,10%,50V,X7R,TP,1005	1	S.N.A	
...4	C120	2203-002687	C-CER,CHIP;1.2nF,10%,50V,X7R,TP,1005	1	S.A	
...4	C120	2203-002687	C-CER,CHIP;1.2nF,10%,50V,X7R,TP,1005	1	S.A	

5. Exploded View & Part List

Level	Location No.	Code No.	Description & Specification	Q'ty	SA/SNA	Remark
....4	C120	2203-006681	C-CER,CHIP;100nF,+80-20%,25V,Y5V,1005	1	S.N.A	
....4	C120	2203-006681	C-CER,CHIP;100nF,+80-20%,25V,Y5V,1005	1	S.N.A	
....4	C120	2203-006681	C-CER,CHIP;100nF,+80-20%,25V,Y5V,1005	1	S.N.A	
....4	C120	2203-006681	C-CER,CHIP;100nF,+80-20%,25V,Y5V,1005	1	S.N.A	
....4	C120	2203-006681	C-CER,CHIP;100nF,+80-20%,25V,Y5V,1005	1	S.N.A	
....4	C120	2203-006681	C-CER,CHIP;100nF,+80-20%,25V,Y5V,1005	1	S.N.A	
....4	C120	2203-006681	C-CER,CHIP;100nF,+80-20%,25V,Y5V,1005	1	S.N.A	
....4	C120	2203-006681	C-CER,CHIP;100nF,+80-20%,25V,Y5V,1005	1	S.N.A	
....4	C120	2203-006681	C-CER,CHIP;100nF,+80-20%,25V,Y5V,1005	1	S.N.A	
....4	C120	2203-006681	C-CER,CHIP;100nF,+80-20%,25V,Y5V,1005	1	S.N.A	
....4	C120	2203-006681	C-CER,CHIP;100nF,+80-20%,25V,Y5V,1005	1	S.N.A	
....4	C120	2203-006681	C-CER,CHIP;100nF,+80-20%,25V,Y5V,1005	1	S.N.A	
....4	C120	2203-006681	C-CER,CHIP;100nF,+80-20%,25V,Y5V,1005	1	S.N.A	
....4	C120	2203-006681	C-CER,CHIP;100nF,+80-20%,25V,Y5V,1005	1	S.N.A	
....4	C120	2203-006681	C-CER,CHIP;100nF,+80-20%,25V,Y5V,1005	1	S.N.A	
....4	C120	2203-006681	C-CER,CHIP;100nF,+80-20%,25V,Y5V,1005	1	S.N.A	
....4	C120	2203-006681	C-CER,CHIP;100nF,+80-20%,25V,Y5V,1005	1	S.N.A	
....4	C120	2203-006681	C-CER,CHIP;100nF,+80-20%,25V,Y5V,1005	1	S.N.A	
....4	C120	2203-006681	C-CER,CHIP;100nF,+80-20%,25V,Y5V,1005	1	S.N.A	
....4	C120	2203-006681	C-CER,CHIP;100nF,+80-20%,25V,Y5V,1005	1	S.N.A	
....4	C120	2203-006681	C-CER,CHIP;100nF,+80-20%,25V,Y5V,1005	1	S.N.A	
....4	C120	2203-006681	C-CER,CHIP;100nF,+80-20%,25V,Y5V,1005	1	S.N.A	
....4	C120	2203-006708	C-CER,CHIP;4700nF,+80-20%,10V,Y5V,1608	1	S.A	
....4	C120	2203-006708	C-CER,CHIP;4700nF,+80-20%,10V,Y5V,1608	1	S.A	
....4	C120	2203-006708	C-CER,CHIP;4700nF,+80-20%,10V,Y5V,1608	1	S.A	
....4	C120	2203-006842	C-CER,CHIP;0.47nF,5%,50V,C0G,1005	1	S.N.A	
....4	C120	2203-006992	C-CER,CHIP;0.33nF,5%,50V,C0G,1005	1	S.N.A	
....4	C120	2203-006992	C-CER,CHIP;0.33nF,5%,50V,C0G,1005	1	S.N.A	
....4	C120	2203-006992	C-CER,CHIP;0.33nF,5%,50V,C0G,1005	1	S.N.A	
....4	C120	2203-006992	C-CER,CHIP;0.33nF,5%,50V,C0G,1005	1	S.N.A	
....4	C120	2203-006992	C-CER,CHIP;0.33nF,5%,50V,C0G,1005	1	S.N.A	
....4	C120	2203-006992	C-CER,CHIP;0.33nF,5%,50V,C0G,1005	1	S.N.A	
....4	C120	2203-006992	C-CER,CHIP;0.33nF,5%,50V,C0G,1005	1	S.N.A	
....4	C120	2203-006992	C-CER,CHIP;0.33nF,5%,50V,C0G,1005	1	S.N.A	
....4	C120	2203-006992	C-CER,CHIP;0.33nF,5%,50V,C0G,1005	1	S.N.A	
....4	C120	2203-007176	C-CER,CHIP;10000nF,10%,16V,X5R,TP,2012 (1	S.N.A	
....4	C120	2203-007176	C-CER,CHIP;10000nF,10%,16V,X5R,TP,2012 (1	S.N.A	
....4	C120	2203-007176	C-CER,CHIP;10000nF,10%,16V,X5R,TP,2012 (1	S.N.A	
....4	C120	2203-007176	C-CER,CHIP;10000nF,10%,16V,X5R,TP,2012 (1	S.N.A	
....4	C120	2203-007176	C-CER,CHIP;10000nF,10%,16V,X5R,TP,2012 (1	S.N.A	
....4	C120	2203-007176	C-CER,CHIP;10000nF,10%,16V,X5R,TP,2012 (1	S.N.A	
....4	C120	2203-007176	C-CER,CHIP;10000nF,10%,16V,X5R,TP,2012 (1	S.N.A	
....4	C120	2203-007176	C-CER,CHIP;10000nF,10%,16V,X5R,TP,2012 (1	S.N.A	
....4	C120	2203-007176	C-CER,CHIP;10000nF,10%,16V,X5R,TP,2012 (1	S.N.A	
....4	C120	2203-007176	C-CER,CHIP;10000nF,10%,16V,X5R,TP,2012 (1	S.N.A	
....4	C120	2203-007176	C-CER,CHIP;10000nF,10%,16V,X5R,TP,2012 (1	S.N.A	
....4	C120	2203-007176	C-CER,CHIP;10000nF,10%,16V,X5R,TP,2012 (1	S.N.A	
....4	C120	2203-007176	C-CER,CHIP;10000nF,10%,16V,X5R,TP,2012 (1	S.N.A	
....4	C120	2203-007176	C-CER,CHIP;10000nF,10%,16V,X5R,TP,2012 (1	S.N.A	
....4	C1015	2402-001128	C-AL,SMD;100##F,20%,16V,-,TP,6.3X5.7mm	1	S.A	
....4	C3056	2402-001129	C-AL,SMD;47UF,20%,16V,WT,TP,6.3X5.2MM	1	S.A	
....4	C1025	2402-001238	C-AL,SMD;1uF,20%,50V,HR,TP,4.3x4.3x5.2mm	1	S.A	
....4	C1005	2402-001257	C-AL,SMD;470uF,20%,16V,-,TP,8.3*10	1	S.A	

5. Exploded View & Part List

Level	Location No.	Code No.	Description & Specification	Q'ty	SA/SNA	Remark
...4	C1039	2402-001257	C-AL,SMD;470uF,20%,16V,-,TP,8.3*10	1	S.A	
...4	C1010	2402-001259	C-AL,SMD;220uF,20%,16V,WT,REEL,8X10	1	S.A	
...4	C2014	2402-001330	C-AL,SMD;330uF,20%,25V,TP,10x10mm	1	S.N.A	
...4	T0052	2703-000398	INDUCTOR-SMD;10uH,10%,3225	1	S.A	
...4	T0052	2703-000398	INDUCTOR-SMD;10uH,10%,3225	1	S.A	
...4	T0052	2703-000398	INDUCTOR-SMD;10uH,10%,3225	1	S.A	
...4	T0052	2703-000398	INDUCTOR-SMD;10uH,10%,3225	1	S.A	
...4	T0052	2703-000398	INDUCTOR-SMD;10uH,10%,3225	1	S.A	
...4	T0052	2703-000398	INDUCTOR-SMD;10uH,10%,3225	1	S.A	
...4	T0052	2703-000398	INDUCTOR-SMD;10uH,10%,3225	1	S.A	
...4	T0052	2703-000398	INDUCTOR-SMD;10uH,10%,3225	1	S.A	
...4	T0052	2703-000398	INDUCTOR-SMD;10uH,10%,3225	1	S.A	
...4	T0052	2703-000398	INDUCTOR-SMD;10uH,10%,3225	1	S.A	
...4	T0052	2703-000417	INDUCTOR-SMD;220uH,5%,3225	1	S.A	
...4	T0052	2703-001334	INDUCTOR-SMD;1.5uH,10%,2012	1	S.A	
...4	T0052	2703-001334	INDUCTOR-SMD;1.5uH,10%,2012	1	S.A	
...4	T0052	2703-001334	INDUCTOR-SMD;1.5uH,10%,2012	1	S.A	
...4	T0052	2703-001334	INDUCTOR-SMD;1.5uH,10%,2012	1	S.A	
...4	T0052	2703-001426	INDUCTOR-SMD;680uH,20%,7070	1	S.A	
...4	T0052	2703-001778	INDUCTOR-SMD;3.3uH,20%,3225	1	S.A	
...4	T0052	2703-002722	INDUCTOR-SMD;22uH,20%,12x12mm	1	S.A	
...4	L2001	2704-000018	INDUCTOR-SMD-ARRAY;15uH,2000mA,2,0.124oh	1	S.N.A	
...4	L2002	2704-000018	INDUCTOR-SMD-ARRAY;15uH,2000mA,2,0.124oh	1	S.N.A	
...4	X202	2801-003667	CRYSTAL-SMD;14.31818MHz,30ppm,28-AAN,16p	1	S.A	
...4	X202	2801-003954	CRYSTAL-SMD;27MHz,30ppm,28-AAN,16pF,50oh	1	S.A	
...4	F103	2901-001114	FILTER-EMI SMD;25VDC,2.0ADC,-,100nF,3.2x	1	S.A	
...4	F103	2901-001506	FILTER-EMI SMD;5V,0.13A,0pF,2x1x0.5mm,TP	1	S.A	
...4	F103	2901-001506	FILTER-EMI SMD;5V,0.13A,0pF,2x1x0.5mm,TP	1	S.A	
...4	T0568	3301-000314	BEAD-SMD;120ohm,1.6x0.8x0.8mm,-,-,-	1	S.N.A	
...4	T0568	3301-000314	BEAD-SMD;120ohm,1.6x0.8x0.8mm,-,-,-	1	S.N.A	
...4	G101	3301-000316	CORE-FERRITE BEAD;120ohm,2012,TP,-,-	1	S.N.A	
...4	G101	3301-000316	CORE-FERRITE BEAD;120ohm,2012,TP,-,-	1	S.N.A	
...4	G101	3301-000316	CORE-FERRITE BEAD;120ohm,2012,TP,-,-	1	S.N.A	
...4	T0568	3301-001145	BEAD-SMD;60ohm,4516,TP,70ohm/45MHz,82ohm	1	S.N.A	
...4	T0568	3301-001145	BEAD-SMD;60ohm,4516,TP,70ohm/45MHz,82ohm	1	S.N.A	
...4	T0568	3301-001145	BEAD-SMD;60ohm,4516,TP,70ohm/45MHz,82ohm	1	S.N.A	
...4	T0568	3301-001145	BEAD-SMD;60ohm,4516,TP,70ohm/45MHz,82ohm	1	S.N.A	
...4	T0568	3301-001145	BEAD-SMD;60ohm,4516,TP,70ohm/45MHz,82ohm	1	S.N.A	
...4	T0568	3301-001145	BEAD-SMD;60ohm,4516,TP,70ohm/45MHz,82ohm	1	S.N.A	
...4	T0568	3301-001148	BEAD-SMD;60ohm,1608,TP,-,-	1	S.N.A	
...4	T0568	3301-001148	BEAD-SMD;60ohm,1608,TP,-,-	1	S.N.A	
...4	T0568	3301-001148	BEAD-SMD;60ohm,1608,TP,-,-	1	S.N.A	
...4	T0568	3301-001163	BEAD-SMD;80ohm,2012,TP,-,192ohm/867MHz	1	S.N.A	
...4	T0568	3301-001163	BEAD-SMD;80ohm,2012,TP,-,192ohm/867MHz	1	S.N.A	
...4	T0568	3301-001163	BEAD-SMD;80ohm,2012,TP,-,192ohm/867MHz	1	S.N.A	
...4	T0568	3301-001163	BEAD-SMD;80ohm,2012,TP,-,192ohm/867MHz	1	S.N.A	
...4	T0568	3301-001163	BEAD-SMD;80ohm,2012,TP,-,192ohm/867MHz	1	S.N.A	
...4	T0568	3301-001163	BEAD-SMD;80ohm,2012,TP,-,192ohm/867MHz	1	S.N.A	
...4	T0568	3301-001163	BEAD-SMD;80ohm,2012,TP,-,192ohm/867MHz	1	S.N.A	
...4	T0568	3301-001163	BEAD-SMD;80ohm,2012,TP,-,192ohm/867MHz	1	S.N.A	
...4	T0568	3301-001236	BEAD-SMD;60ohm,1608,-,-,-	1	S.N.A	
...4	T0568	3301-001236	BEAD-SMD;60ohm,1608,-,-,-	1	S.N.A	

Level	Location No.	Code No.	Description & Specification	Q'ty	SA/SNA	Remark
...4	T0568	3301-001236	BEAD-SMD;60ohm,1608,-,-,-	1	S.N.A	
...4	T0568	3301-001278	BEAD-SMD;120ohm,1608,200mA,TP,169ohm/174	1	S.N.A	
...4	T0568	3301-001278	BEAD-SMD;120ohm,1608,200mA,TP,169ohm/174	1	S.N.A	
...4	T0568	3301-001324	BEAD-SMD;15ohm,2012,600mA,TP,,0.1ohm	1	S.A	
...4	T0568	3301-001324	BEAD-SMD;15ohm,2012,600mA,TP,,0.1ohm	1	S.A	
...4	T0568	3301-001324	BEAD-SMD;15ohm,2012,600mA,TP,,0.1ohm	1	S.A	
...4	T0568	3301-001324	BEAD-SMD;15ohm,2012,600mA,TP,,0.1ohm	1	S.A	
...4	T0568	3301-001324	BEAD-SMD;15ohm,2012,600mA,TP,,0.1ohm	1	S.A	
...4	T0568	3301-001324	BEAD-SMD;15ohm,2012,600mA,TP,,0.1ohm	1	S.A	
...4	T0568	3301-001324	BEAD-SMD;15ohm,2012,600mA,TP,,0.1ohm	1	S.A	
...4	T0568	3301-001324	BEAD-SMD;15ohm,2012,600mA,TP,,0.1ohm	1	S.A	
...4	T0568	3301-001324	BEAD-SMD;15ohm,2012,600mA,TP,,0.1ohm	1	S.A	
...4	T0568	3301-001324	BEAD-SMD;15ohm,2012,600mA,TP,,0.1ohm	1	S.A	
...4	T0568	3301-001393	BEAD-SMD;60ohm,3216,1500mA,TP,41ohm/40MH	1	S.N.A	
...4	T0568	3301-001404	BEAD-SMD;30ohm,2012,TP,15.9OHM/30MHz	1	S.A	
...4	T0568	3301-001404	BEAD-SMD;30ohm,2012,TP,15.9OHM/30MHz	1	S.A	
...4	T0568	3301-001404	BEAD-SMD;30ohm,2012,TP,15.9OHM/30MHz	1	S.A	
...4	T0568	3301-001404	BEAD-SMD;30ohm,2012,TP,15.9OHM/30MHz	1	S.A	
...4	T0568	3301-001404	BEAD-SMD;30ohm,2012,TP,15.9OHM/30MHz	1	S.A	
...4	T0568	3301-001404	BEAD-SMD;30ohm,2012,TP,15.9OHM/30MHz	1	S.A	
...4	T0568	3301-001404	BEAD-SMD;30ohm,2012,TP,15.9OHM/30MHz	1	S.A	
...4	T0568	3301-001404	BEAD-SMD;30ohm,2012,TP,15.9OHM/30MHz	1	S.A	
...4	T0568	3301-001404	BEAD-SMD;30ohm,2012,TP,15.9OHM/30MHz	1	S.A	
...4	T0568	3301-001404	BEAD-SMD;30ohm,2012,TP,15.9OHM/30MHz	1	S.A	
...4	T0568	3301-001404	BEAD-SMD;30ohm,2012,TP,15.9OHM/30MHz	1	S.A	
...4	T0568	3301-001412	BEAD-SMD;60ohm,2012,800mA,TP,65ohm/110MH	1	S.N.A	
...4	T0568	3301-001569	BEAD-SMD;600ohm,2012,1000mA,TP,520ohm/90	1	S.N.A	
...4	T0568	3301-001569	BEAD-SMD;600ohm,2012,1000mA,TP,520ohm/90	1	S.N.A	
...4	T0568	3301-001569	BEAD-SMD;600ohm,2012,1000mA,TP,520ohm/90	1	S.N.A	
...4	JA3001	3701-001367	CONNECTOR-HDMI;19P,2R,FEMALE,SMD,AU	1	S.A	
...4	JA3002	3701-001367	CONNECTOR-HDMI;19P,2R,FEMALE,SMD,AU	1	S.A	
...4	CN6001_L	3708-001150	CONNECTOR-FPC/FFC/PIC;30P,1mm,SMD-A,SN,Y	1	S.A	
...4	T0077	BN41-00980B	PCB MAIN;Coral iDTV Normal,FR-4,4,1.6T,1	1	S.N.A	
...4	M0018	BN97-02084A	ASSY MICOM;T-PERLDEUC-0010,N50A,2007.12.	1	S.N.A	
....5	IC115	1107-001415	IC-FLASH MEMORY;29W320D,4Mx8/2Mx16Bit,TS	1	S.N.A	
...4	M0018	BN97-02084B	ASSY MICOM;T-CRL32PEUMD-1006.0,N50A,2007	1	S.N.A	
....5	IC115	1107-001709	IC-FLASH MEMORY;MX25L1605A,16Mbit,2Mx8,S	1	S.N.A	
...3	CIS3	BN40-00124A	TUNER;DNOS403SH071A(S),DNOS403SH071A(S),	1	S.A	
0.1		BN91-02106A	ASSY SHIELD-AQE;AAH-LE40A436T1DXXC	1	S.N.A	
..2	M0081	6003-000115	SCREW-TAPTITE;BH,+ ,B,M3,L6,ZPC(BLK),SWRC	6	S.A	
..2	M0081	6003-000115	SCREW-TAPTITE;BH,+ ,B,M3,L6,ZPC(BLK),SWRC	6	S.A	
..2	M0081	6003-000115	SCREW-TAPTITE;BH,+ ,B,M3,L6,ZPC(BLK),SWRC	1	S.A	
..2	M0081	6003-000337	SCREW-TAPTITE;BH,+ ,S,M4,L10,ZPC(BLK),SWR	4	S.A	
..2	M0081	6003-000337	SCREW-TAPTITE;BH,+ ,S,M4,L10,ZPC(BLK),SWR	1	S.A	
..2	M0081	6003-000337	SCREW-TAPTITE;BH,+ ,S,M4,L10,ZPC(BLK),SWR	1	S.A	
..2	M0081	6003-000337	SCREW-TAPTITE;BH,+ ,S,M4,L10,ZPC(BLK),SWR	1	S.A	
..2	M0081	6003-000337	SCREW-TAPTITE;BH,+ ,S,M4,L10,ZPC(BLK),SWR	2	S.A	
..2	M0081	6003-001188	SCREW-TAPTITE;BH,+ ,-,B,M4,L10,ZPC(WHT),S	5	S.A	
..2	M0081	6003-001188	SCREW-TAPTITE;BH,+ ,-,B,M4,L10,ZPC(WHT),S	2	S.A	

5. Exploded View & Part List

Level	Location No.	Code No.	Description & Specification	Q'ty	SA/SNA	Remark
.2	M0081	6003-001188	SCREW-TAPTITE;BH,+,-,B,M4,L10,ZPC(WHT),S	2	S.A	
.2	M0081	6003-001188	SCREW-TAPTITE;BH,+,-,B,M4,L10,ZPC(WHT),S	2	S.A	
.2	M0081	6003-001439	SCREW-TAPTITE;BH,+,-,S,M4,L8,ZPC(WHT),SW	1	S.N.A	
.2	M2893	BN39-00674A	LEAD CONNECTOR;LNR469DX/XAA,UL1007#26,5P	1	S.A	
.2	M2893	BN39-00802F	LEAD CONNECTOR;LE46S86BDX,UL1007#26,24PI	1	S.A	
.2	M2893	BN39-00830C	LEAD CONNECTOR;LN40A450C1D,UL3443 #28,7P	1	S.A	
.2	M2893	BN39-01021A	LEAD CONNECTOR;LN46A550P,UL1007#26,2pin,	1	S.A	
.2	M0174	BN44-00197A	IP BOARD;SIP408A,PEARL,15mA,130mA,150Hz,	1	S.A	
.2	M0115	BN61-02882A	BRACKET-STAND LINK;TULIP,40,SECC,T1.6,-,	1	S.N.A	
.2	M0146	BN61-02887A	BRACKET-PANEL TOP;TULIP,40,SECC,T1.2,-,-	2	S.N.A	
.2	M0254	BN61-02952K	HOLDER-SIDE AV;32S81,EO(HOTEL),HIPS,V0,-	1	S.N.A	
...3		BN81-00199H	RESIN;HIPS HB,BK500,HF-1690H,K2901	17.3	S.N.A	
.2	T0101	BN61-03965A	BRACKET-WALL;L430 40INCH,SECC,T1.2	1	S.N.A	
.2	M0107	BN63-03039A	SHIELD-COVER;MURANO40,PCM,T0.5,IDTV	1	S.N.A	
.2	M0125	BN96-04938B	ASSY INLET P;UL1617#22,250/250mm	1	S.A	
.2	T0447	BN96-06960A	ASSY BRACKET P-PANEL;40A450C,SECC,T1.0,C	1	S.N.A	
...3	M0081	6003-001188	SCREW-TAPTITE;BH,+,-,B,M4,L10,ZPC(WHT),S	1	S.A	
...3	M0081	6003-001188	SCREW-TAPTITE;BH,+,-,B,M4,L10,ZPC(WHT),S	1	S.A	
...3	M0081	6003-001188	SCREW-TAPTITE;BH,+,-,B,M4,L10,ZPC(WHT),S	2	S.A	
...3	M0131	AA63-01438A	GASKET;Bordeaux,Conductive Fabric,7mm,8m	1	S.N.A	
...3		BN61-02879A	BRACKET-GUIDE MAIN;TULIP,40,SECC,T1.2,-,	1	S.N.A	
...3		BN61-02880A	BRACKET-GUIDE POWER R;TULIP,40,SECC,T1.2	1	S.N.A	
...3		BN61-02881A	BRACKET-GUIDE POWER L;TULIP,40,SECC,T1.2	1	S.N.A	
...3		BN61-03697A	BRACKET-GUIDE POWER R;L450 40INCH,SECC,T	1	S.N.A	
...3		BN61-03861A	BRACKET-PANEL BOTTOM;L450 40INCH,SECC,T1	1	S.N.A	
...3	M0131	BN63-03519A	GASKET;Tulip,Conductive Fabric,10,14,300	3	S.N.A	
.2	M0214	BN96-07158P	ASSY CABLE P-FLAT;CORAL,FFC CABLE,420mm,	1	S.A	
.2	M0114	BP61-01088A	HOLDER-WIRE;SVP-42L6,NYLON	2	S.N.A	
.2	M0114	BN61-02500A	HOLDER-WIRE;NYLON6.6,NATURAL	1	S.N.A	
0.1	M0045	BN92-03325B	ASSY ACCESSORY;LE37A436T1DXXC	1	S.N.A	
.2	M0045	BN96-07320A	ASSY ACCESSORY-MANUAL;LE40A436T1DXXC	1	S.A	
...3	T0524	6902-000110	BAG PE;LDPE,T0.05,W250,L400,TRP,28,2	1	S.N.A	
...3		AA68-03242K	MANUAL FLYER-02,SAFETY GUIDE;comm,Samsun	1	S.N.A	
...3		AA68-03575A	MANUAL FLYER-02,REGISTRATION C;XEU,ENG,U	1	S.N.A	
...3		AA68-03575B	MANUAL FLYER-02,REGISTRATION C;XEG,GERMA	1	S.N.A	
...3		AA68-03575C	MANUAL FLYER-02,REGISTRATION C;XEF,FRENC	1	S.N.A	
...3		AA68-03575D	MANUAL FLYER-03,REGISTRATION C;XEC,SPANI	1	S.N.A	
...3		AA68-03575E	MANUAL FLYER-04,REGISTRATION C;XET,ITALY	1	S.N.A	
...3		AA68-03575F	MANUAL FLYER-02,REGISTRATION C;XEN,DUTCH	1	S.N.A	
...3		AA68-03575G	MANUAL FLYER-02,REGISTRATION C;XEP,PORTU	1	S.N.A	
...3	T0175	BN68-00514E	MANUAL FLYER-01,WARRANTY CARD;comm,Samsu	1	S.N.A	
...3	T0511	BN68-01464A	MANUAL USERS;COMM,SAMSUNG,8Langs,W.Europ	1	S.N.A	
.2	M0045	BN96-07320C	ASSY ACCESSORY-CABLE;LE37A436T1DXXC	1	S.A	
...3	T0268	3903-000145	CBF-POWER CORD;DT,EU,FP3/YES,U(IEC C13-R	1	S.A	
...3	T0524	6902-000110	BAG PE;LDPE,T0.05,W250,L400,TRP,28,2	1	S.N.A	
...3	T0074	BN59-00684A	REMOCON;TM-96B,49,EUROPE_DTV-450	1	S.A	
...3		BN63-01798A	CLOTH-CLEAN;RE40**,CLOTH,180,200,RHCM	1	S.N.A	
...3	T0531	BN63-03031B	COVER-BOTTOM;37,40M81,HIPS,HB,BK500	1	S.N.A	
...4		BN81-00199H	RESIN;HIPS HB,BK500,HF-1690H,K2901	61.6	S.N.A	

5. Exploded View & Part List

Level	Location No.	Code No.	Description & Specification	Q'ty	SA/SNA	Remark
0.1	M0003	BN92-03326A	ASSY BOX;40L430,EO(iDTV)	1	S.N.A	
..2	M0521	BN69-01706A	BOX-SET,IN;40M8,CB,C1,DY-01,W1456,D760,9	1	S.N.A	
..2		BN69-02665A	BOX-SET,OUT;40L430,CB,C-03,DW-75,YEL,W10	1	S.N.A	
0.1	M0113	BN92-03327A	ASSY P/MATERIAL;40L430	1	S.N.A	
..2	T0524	6902-000524	BAG PE;HDPE/NITRON,T0.015/T0.5,W1200,L11	1	S.N.A	
..2	T0003	6902-000604	BAG WRAPPING;LDPE,T0.02,W500,L10000,TRP,	7.8	S.N.A	
..2		6922-000003	BAND PP;PP,T0.8,W18,L1650M,TRP,DA69-9014	4.85	S.N.A	
..2	T0214	BN74-00008A	TAPE-OPP MASKING;OPP-2,T0.05,W100,L800M,	1.22	S.N.A	
..2	T0214	AA61-20285C	HOLDER-BOX;CORAL,PP,BLACK,HB	2	S.N.A	
0.1	M0019	BN92-03328D	ASSY LABEL;LE40A437T2DXXC	1	S.N.A	