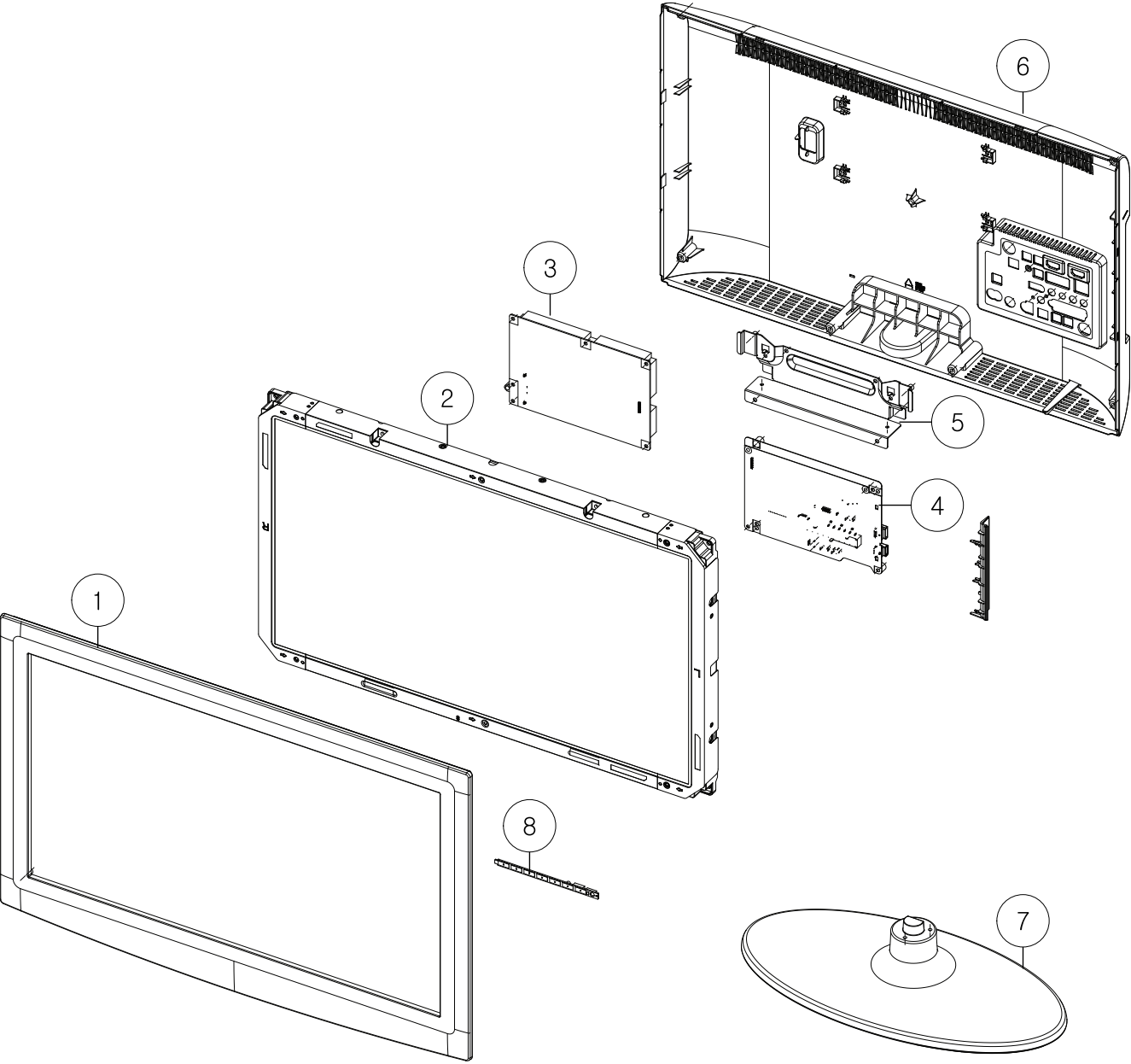


1. Exploded View & Part List

Exploded View



Parts List

No.	Parent	Lvl.	Loc.	Material Code	Description & Specification	SNA	Qty.
1	BN90-03248B	2	F001A	BN96-16967B	ASSY COVER P-FRONT; LD450,26,EO,PC+PC,V2,	SA	1
2	BN91-06832A	2	PANEL	BN07-00967A	LCD-PANEL; T260XW04 V8,AU26X48,8bit,26 in	SA	1
3	BN91-06838A	2	P001A	BN44-00438C	AC VSS(I)-TV; I2632F1_BDY,I2632F1_BDY,63k	SA	1
4	BN91-06820A	2	M0014	BN94-04605G	ASSY PCB MAIN; LD450/550 26",BN97-05383A,	SA	1
5	BN91-06838A	2	SB05A	BN96-16984A	ASSY BRACKET P-STAND LINK; LD450,26,SECC,	SNA	1
6	BN90-03269D	2	R001A	BN96-16976D	ASSY COVER P-REAR; LD450,26,EO,HIPS,V0,BK	SA	1
7	BN90-03267A	2	SB04A	BN96-16989A	ASSY STAND P-BASE; LD400/450,26,PC/ABS,V0	SA	1
8	BN96-16967B	3	FB21A	BN96-17614B	ASSY BOARD P-TOUCH FUNCTION & IR; LN26D450,	SA	1

2. Electrical Parts List

Level	Loc.	Part Code	Description & Specification	Qty.	SA/SNA
			LE26D450G1WXZG (AO01)		
1		BN90-03248B	ASSY COVER FRONT;LD450,26,EO	1	SNA
.2	SP01A	BN96-12871C	ASSY SPEAKER P;6ohm,4pin,5W,L380/R160	1	SA
.2	F001A	BN96-16967B	ASSY COVER P-FRONT;LD450,26,EO,PC+PC,V2,	1	SA
..3	CB11P	BN61-07248A	BRACKET-SUPPORT PCB;LD550,SK-5,T0.5,Plat	1	SA
..3	CCM1	BN63-05199P	COVER-SHEET;AMBER,PE,T0.08,W1000,200M,CL	0	SNA
..3	F001	BN63-07695B	COVER-FRONT;LD450,26,EO,PC+PC,V2,TP0010+	1	SNA
..3		BN81-02422A	A/S-ADHESIVE;TECNOMELT,Q9268H,WHT	0	SNA
..3	FB21A	BN96-17614B	ASSY BOARD P-TOUCH FUNCTION & IR;LN26D450,	1	SA
1	S001A	BN90-03267A	ASSY STAND;LD450,26,EO	1	SNA
.2	SB04A	BN96-16989A	ASSY STAND P-BASE;LD400/450,26,PC/ABS,V0	1	SA
..3	CCM1	BN63-02183D	COVER-SHEET;Rhcm,PE Vinyl,T0.05,680mm,20	1	SNA
..3		BN63-07915A	COVER-STAND BASE;LD450,26,PC/ABS,V0,BK00	1	SNA
..3		BN73-00332A	RUBBER-FOOT;UD4000 27,RUBBER,19*19,T3.0,	4	SNA
1	R001A	BN90-03269D	ASSY COVER REAR;LD450,26,EO	1	SNA
.2	T0081	6002-001294	SCREW-TAPPING;BH,+,,M4,L16,ZPC(BLK)	7	SA
.2	R001A	BN96-16976D	ASSY COVER P-REAR;LD450,26,EO,HIPS,V0,BK	1	SA
..3		BN60-00162C	SPACER-FOAM;FOAM,50000mm,Dark Gray,0.5T,	1	SNA
..3	CB20	BN61-07464A	BRACKET-WALL;LD400 LD450 19" 22" 26",SEC	4	SNA
..3	R001	BN63-07697A	COVER-REAR;LD450,26,HIPS,V0,BK0020	1	SNA
..3	T0071	BN64-01655A	INLAY-TERMINAL;LD450 26",PS SHEET,T0.5,H	1	SNA
..3	T0139	BN65-00002A	CLAMPER CORE;BORDEAUX,LDPE,BLK	1	SNA
1	M0017	BN91-06820A	ASSY CHASSIS;AOD-LE26D450G1WXXC	1	SNA
.2	M0014	BN94-04605G	ASSY PCB MAIN;LD450/550 26",BN97-05383A,	1	SA
..3		0202-001463	SOLDER-WIRE;LFC2-W3.0,-,D3,99.79Sn/0.2Cu	2	SNA
..3	CIS2	0202-001522	SOLDER-WIRE FLUX;LFA3-107,D1.2,96.5Sn/3A	0	SNA
..3		0204-002607	FLUX;DF-234U,13%,14KG,Gravity 0.82	2	SNA
..3		BN97-00688A	ASSY HDCP;BN46-00018A,PS-42V6S,D73A,GENE	1	SNA
...4		BN46-00018A	KEY CODE-CERTIFICATE;(HDCP KEY)PPM42M5S,	1	SNA
..3		BN97-05365A	ASSY DRM-CI PLUS;BN46-00063A,UN4D X5,X6,	1	SNA
...4		BN46-00063A	KEY CODE-CI PLUS;X5/X6,TCTC,SERIAL CODIN	1	SNA
..3		BN97-05496C	ASSY SMD;LE26D450G1WXXC,BN94-04605G	1	SNA
...4		0202-001477	SOLDER-CREAM;LST309-M,D20~45um,96.5Sn/3A	3	SNA
..4	DS01A	0401-001056	DIODE-SWITCHING;MMBD4148SE,100V,200mA,SO	3	SA
...4		0403-001180	DIODE-ZENER;BZX84C6V2,5.8-6.6V,350mW,SOT	1	SA
...4		0403-001783	DIODE-ZENER;BZB84-C6V2,5.8/6.6V,300mW,SO	3	SNA
...4		0403-001785	DIODE-ZENER;NZH5V1B,4.94/5.2V,500mW,SOD-	1	SA
...4		0403-001797	DIODE-ZENER;NZH3V0B,2.85/3.15V,500mW,SOD	1	SNA

Exploded Views and Parts List

Level	Loc.	Part Code	Description & Specification	Qty.	SA/SNA
...4	D0254	0404-001404	DIODE-SCHOTTKY;BAT721C,40V,200mA,SOT-23,	3	SA
...4	T0139	0406-001200	DIODE-TVS;RCLAMP0504F,6/-V,150W,SC-70	1	SA
...4	SD3	0407-000114	DIODE-SWITCHING;KDS184,80V,100mA,SOT-23,	1	SNA
...4	KQ1	0501-000279	TR-SMALL SIGNAL;KSA1182-Y,PNP,150mW,SOT-	1	SA
...4	Q101	0501-000445	TR-SMALL SIGNAL;KTC3875S-Y,NPN,150mW,SOT	10	SA
...4	CEQ2	0505-000110	FET-SILICON;2N7002,N,60V,115mA,7.5ohm,0.	2	SA
...4	Q409	0505-002572	FET-SILICON;AO4801AL,P,-30V,-5.6A,0.075o	1	SA
...4	IC104	0801-002630	IC-CMOS LOGIC;74AHCT1G08,2-INPUT AND GAT	1	SA
...4	ND51C2	0801-002780	IC-CMOS LOGIC;74LVC1G17,SCHMITT-TRIGGER	1	SA
...4	IC104	0801-003330	IC-CMOS LOGIC;Octal buffer,DQFN,20P,4.5x	2	SA
...4	IC104	0802-001012	IC-CMOS LOGIC;74LCX245,TRANSCEIVER,DQFN,	1	SNA
...4	IC112	1103-001310	IC-EEPROM;24LC02B,256X8BIT,SOIC,8P,3.91X	4	SA
...4		1103-001487	IC-EEPROM;AT24C256C-SSHL-T,256Kbit,32Kx8	1	SA
...4		1105-002194	IC-DDR3 SDRAM;K4B1G1646G-BCH9,DDR3 SDRAM	2	SA
...4		1201-003153	IC-POWER AMP;NTP-7411S,MLF,48P,7x7mm,DUA	1	SA
...4		1201-003183	IC-AUDIO AMP;DRV612,HTSSOP,14P,5x4.4mm,D	1	SA
...4	T0087	1203-001815	IC-POSI.FIXED REG.;78M09,TO-252,3P,PLAST	1	SA
...4	T0087	1203-002835	IC-POSI.FIXED REG.;7805,3P,6.6x6.1mm,PLA	1	SA
...4	T0087	1203-002898	IC-POSI.FIXED REG.;G950T45R,T0-252,3P,6.	1	SA
...4		1203-004364	IC-VOL. DETECTOR;RT9818C-42PV,SOT-23,3P,	1	SA
...4		1203-006017	IC-VOL. DETECTOR;RT9824GJ8,TSOT23,8P,2.9	1	SA
...4	IC012	1203-006138	IC-POSI.ADJUST REG.;AP1117DGZ-13-89,TO-2	1	SA
...4		1203-006142	IC-DC/DC CONVERTER;BD8924G,5P,2.9x1.6x1.	1	SA
...4		1203-006337	IC-POSI.FIXED REG.;G9091-330T11U,SOT-23-	1	SA
...4		1203-006619	IC-DC/DC CONVERTER;AOZ1033AI,SO-8,8P,4.9	1	SA
...4		1203-006684	IC-DC/DC CONVERTER;TPS54327DDAR,HSOP8,8P	1	SNA
...4		1204-003240	IC-DECODER;SEMS20-LF,HSBGA,572P,20x20mm,	1	SNA
...4		1205-003201	IC-BUS SWITCH;TC7WB125FK,SSOP,8P,2x2.3mm	1	SA
...4		1205-003479	IC-SWITCH;TPS2051BDBVR,SOT-23,5P,2.9x1.6	1	SA
...4		1205-003733	IC-SWITCH;AP2191MPG-13,MSOP-8L-EP,8P,2.9	1	SA
...4		1405-001271	VARISTOR;20Vdc,5A,1.0x0.5x0.6mm,TP	6	SA
...4	MR604	2007-000137	R-CHIP;2Kohm,5%,1/16W,TP,1005	8	SNA
...4	R105	2007-000138	R-CHIP;100ohm,5%,1/16W,TP,1005	28	SA
...4	AR49	2007-000140	R-CHIP;1Kohm,5%,1/16W,TP,1005	2	SNA
...4	MR306	2007-000141	R-CHIP;2.2Kohm,5%,1/16W,TP,1005	2	SNA
...4	AVR73	2007-000142	R-CHIP;2.7Kohm,5%,1/16W,TP,1005	1	SA
...4	R319	2007-000143	R-CHIP;4.7Kohm,5%,1/16W,TP,1005	40	SNA
...4	R104	2007-000148	R-CHIP;10Kohm,5%,1/16W,TP,1005	35	SA
...4	MR36	2007-000153	R-CHIP;22Kohm,5%,1/16W,TP,1005	6	SNA
...4	RZ07	2007-000156	R-CHIP;30Kohm,5%,1/16W,TP,1005	3	SA

Level	Loc.	Part Code	Description & Specification	Qty.	SA/SNA
...4	MR13	2007-000157	R-CHIP;47Kohm,5%,1/16W,TP,1005	9	SNA
...4		2007-000160	R-CHIP;68Kohm,5%,1/16W,TP,1005	2	SA
...4	DR39	2007-000162	R-CHIP;100Kohm,5%,1/16W,TP,1005	4	SNA
...4	MR16	2007-000168	R-CHIP;470Kohm,5%,1/16W,TP,1005	1	SA
...4	R509	2007-000170	R-CHIP;1Mohm,5%,1/16W,TP,1005	1	SNA
...4	R111	2007-000171	R-CHIP;0ohm,5%,1/16W,TP,1005	7	SNA
...4	HDR17	2007-000172	R-CHIP;10ohm,5%,1/16W,TP,1005	2	SNA
...4	R338	2007-000173	R-CHIP;22ohm,5%,1/16W,TP,1005	10	SNA
...4	UR23	2007-000174	R-CHIP;47ohm,5%,1/16W,TP,1005	2	SNA
...4	MR17	2007-000566	R-CHIP;220Kohm,5%,1/16W,TP,1005	1	SNA
...4	R726	2007-000695	R-CHIP;3.3ohm,5%,1/10W,TP,1608	4	SNA
...4	R124	2007-000775	R-CHIP;33Kohm,5%,1/16W,TP,1005	2	SNA
...4	R2007	2007-000803	R-CHIP;36Kohm,1%,1/10W,TP,1608	1	SA
...4	HR10	2007-000962	R-CHIP;5.1Kohm,1%,1/10W,TP,1608	1	SA
...4	S1G0843	2007-001125	R-CHIP;68Kohm,1%,1/10W,TP,1608	1	SA
...4		2007-001168	R-CHIP;75ohm,5%,1/4W,TP,3216	2	SA
...4		2007-001285	R-CHIP;5.6ohm,5%,1/16W,TP,1005	2	SA
...4	OTR1	2007-001292	R-CHIP;33ohm,5%,1/16W,TP,1005	21	SNA
...4	DR43	2007-001298	R-CHIP;51ohm,5%,1/16W,TP,1005	2	SNA
...4	DR1	2007-001301	R-CHIP;68ohm,5%,1/16W,TP,1005	10	SA
...4	R16	2007-001313	R-CHIP;330ohm,5%,1/16W,TP,1005	2	SNA
...4	R326	2007-001325	R-CHIP;3.3Kohm,5%,1/16W,TP,1005	1	SNA
...4		2007-001333	R-CHIP;18Kohm,5%,1/16W,TP,1005	6	SNA
...4	PR24	2007-002970	R-CHIP;56ohm,5%,1/16W,TP,1005	4	SA
...4	HDR8	2007-007095	R-CHIP;390ohm,5%,1/16W,TP,1005	1	SA
...4		2007-007138	R-CHIP;27Kohm,1%,1/16W,TP,1005	2	SA
...4	DR4	2007-007142	R-CHIP;10Kohm,1%,1/16W,TP,1005	13	SNA
...4		2007-007156	R-CHIP;1ohm,5%,1/16W,TP,1005	7	SNA
...4		2007-007311	R-CHIP;22Kohm,1%,1/16W,TP,1005	1	SA
...4		2007-007318	R-CHIP;1Kohm,1%,1/16W,TP,1005	20	SNA
...4		2007-007463	R-CHIP;1.1Kohm,1%,1/16W,TP,1005	1	SA
...4		2007-007517	R-CHIP;240ohm,1%,1/16W,TP,1005	2	SNA
...4		2007-007766	R-CHIP;2Kohm,1%,1/16W,TP,1005	2	SNA
...4	MR11	2007-008015	R-CHIP;75ohm,1%,1/16W,TP,1005	11	SA
...4		2007-008649	R-CHIP;220ohm,1%,1/16W,TP,1005	1	SNA
...4	DRP29	2011-000515	R-NETWORK;4.7Kohm,5%,1/16W,L,CHIP,8P,TP,	1	SA
...4	ZRN10	2011-001261	R-NETWORK;33ohm,5%,1/16W,L,CHIP,8P,TP,2.	6	SA
...4	DAR09	2011-001262	R-NETWORK;22ohm,5%,1/16W,L,CHIP,8P,TP,2.	31	SA
...4		2011-001264	R-NETWORK;10ohm,5%,1/16W,L,CHIP,8P,TP,2.	4	SNA
...4	HRP2	2011-001344	R-NETWORK;100ohm,5%,1/16W,L,CHIP,8P,TP,2	2	SA

Exploded Views and Parts List

Level	Loc.	Part Code	Description & Specification	Qty.	SA/SNA
...4		2011-001449	R-NETWORK;22ohm,5%,1/16W,L,4P,TP,1010	4	SA
...4		2011-001587	R-NETWORK;100ohm,5%,1/16W,L,CHIP-V,4P,TP	1	SNA
...4	PC43	2203-000233	C-CER,CHIP;0.1nF,5%,50V,C0G,TP,1005	7	SA
...4	MC9	2203-000359	C-CER,CHIP;0.15nF,5%,50V,C0G,TP,1005,0.5	1	SA
...4	DC1	2203-000386	C-CER,CHIP;0.015nF,5%,50V,C0G,TP,1005	2	SA
...4	C254	2203-000438	C-CER,CHIP;1nF,10%,50V,X7R,TP,1005	11	SA
...4	C507	2203-000489	C-CER,CHIP;2.2nF,10%,50V,X7R,TP,1005	5	SA
...4	AD480	2203-000530	C-CER,CHIP;2.7nF,10%,50V,X7R,TP,1005,-	1	SNA
...4	V1233	2203-000575	C-CER,CHIP;220nF,10%,25V,X7R,TP,2012	6	SNA
...4	AD480	2203-000714	C-CER,CHIP;3.3nF,10%,50V,X7R,TP,1005,-	6	SA
...4	DC25	2203-000812	C-CER,CHIP;0.033nF,5%,50V,C0G,TP,1005	6	SA
...4	AD480	2203-000995	C-CER,CHIP;0.047nF,5%,50V,C0G,TP,1005	2	SA
...4	AD480	2203-001412	C-CER,CHIP;0.03nF,5%,50V,NP0,TP,1005	2	SNA
...4	AD480	2203-001428	C-CER,CHIP;470nF,10%,50V,X7R,TP,2012	2	SNA
...4	AD480	2203-002285	C-CER,CHIP;10nF,10%,50V,X7R,TP,1005	10	SNA
...4	AD480	2203-002525	C-CER,CHIP;0.56nF,10%,50V,X7R,TP,1005	6	SNA
...4	AC2	2203-002711	C-CER,CHIP;100nF,10%,25V,X7R,TP,1608	1	SA
...4	AAC1	2203-005249	C-CER,CHIP;100nF,10%,50V,X7R,TP,1608	6	SNA
...4	AD480	2203-005344	C-CER,CHIP;22nF,10%,25V,X7R,TP,1005,0.5T	1	SNA
...4	AD480	2203-005393	C-CER,CHIP;0.005nF,0.1pF,50V,NP0,TP,1005	1	SNA
...4	VC37	2203-006048	C-CER,CHIP;100nF,10%,10V,X7R,TP,1005	100	SA
...4	AD480	2203-006126	C-CER,CHIP;47nF,10%,16V,X7R,TP,1005	21	SNA
...4	JC10	2203-006324	C-CER,CHIP;2200nF,10%,10V,X5R,1608	8	SA
...4	AD480	2203-006336	C-CER,CHIP;10000nF,10%,25V,X5R,TP,3216	1	SA
...4	C802	2203-006348	C-CER,CHIP;1000nF,10%,25V,X5R,TP,1608	1	SA
...4	C125	2203-006361	C-CER,CHIP;10000nF,10%,10V,X5R,TP,2012	18	SC
...4	C234	2203-006378	C-CER,CHIP;4700nF,10%,6.3V,X5R,TP,1608	1	SNA
...4	HE4	2203-006474	C-CER,CHIP;22000nF,20%,6.3V,X5R,2012	10	SA
...4	HDC11	2203-006562	C-CER,CHIP;1000nF,10%,10V,X5R,TP,1005	15	SNA
...4	AD480	2203-006824	C-CER,CHIP;4700nF,10%,10V,X5R,1608	1	SNA
...4	C23	2203-006890	C-CER,CHIP;10000nF,20%,6.3V,X5R,1608	18	SA
...4	AD480	2203-006992	C-CER,CHIP;0.33nF,5%,50V,C0G,TP,1005	2	SNA
...4	AD480	2203-007176	C-CER,CHIP;10000nF,10%,16V,X5R,TP,2012	6	SNA
...4	AD480	2203-007230	C-CER,CHIP;47000nF,20%,6.3V,X5R,TP,2012,	2	SNA
...4	T0052	2703-000158	INDUCTOR-SMD;1uH,10%,2012	2	SA
...4	T0052	2703-002238	INDUCTOR-SMD;1UH,5%,2012	2	SNA
...4	T0052	2703-003149	INDUCTOR-SMD;2.2uH,20%,5050	1	SA
...4		2703-003407	INDUCTOR-SMD;120nH,5%,1608	1	SA
...4	T0052	2703-003790	INDUCTOR-SMD;4.7uH,20%,8080	1	SA
...4		2703-003890	INDUCTOR-SMD;47uH,10%,3225	1	SA

Level	Loc.	Part Code	Description & Specification	Qty.	SA/SNA
...4		2703-003930	INDUCTOR-SMD;4.7uH,20%,5050	4	SA
...4	X202	2801-003326	CRYSTAL-SMD;24MHz,30ppm,28-ABX,20pF,50oh	1	SA
...4	X202	2801-003948	CRYSTAL-SMD;12MHz,30ppm,28-AAN,12pF,60oh	1	SA
...4	F103	2901-001506	FILTER-EMI SMD;5V,0.13A,0pF,2x1x0.5mm,TP	2	SA
...4	DR32	3301-000314	BEAD-SMD;120ohm,1.6x0.8x0.8mm,-,-,-	7	SNA
...4	T0568	3301-001526	BEAD-SMD;10ohm,1.6x0.8x0.8mm,1000mA,TP,,	3	SNA
...4	T0568	3301-002039	BEAD-SMD;26ohm,1608,TP	33	SA
...4		3701-001591	CONNECTOR-HDMI;19P,2ROW,FEMALE,SMD-S,AU	1	SA
...4		3701-001693	CONNECTOR-HDMI;19P,2ROW,FEMALE,SMD-A	1	SA
...4		3701-001746	CONNECTOR-DSUB;15P,3ROW,FEMALE,STRAIGHT	1	SA
...4		3707-001106	CONNECTOR-OPTICAL;STRAIGHT W/L,SPDIF	1	SA
...4	AC510	3708-001150	CONNECTOR-FPC/FFC/PIC;30P,1mm,SMD-A,SN,Y	1	SA
...4		3709-001670	CONNECTOR-CARD SLOT;68P,1.27mm,STMAP,AU,	1	SA
...4	HB01A	3711-005601	HEADER-BOARD TO CABLE;BOX,8P,1R,2mm,SMD-	1	SA
...4		3711-007585	CONNECTOR-HEADER;BOX,4P,1R,2.5mm,ANGLE-D	1	SA
...4		3711-007741	CONNECTOR-HEADER;BOX,14P,2R,2.0mm,ANGLE,	1	SA
...4		3722-003191	JACK-PIN;J/B 5P + Scart 21P,NI+SN,RD/WH/	1	SA
...4		3722-003225	JACK-USB;4P/1C,Au,BLK,SMD-A(DIP),A	1	SA
...4		3722-003226	JACK-PHONE;7P/1C,SN,BLK	2	SA
...4	ET01	BN40-00220A	TUNER;DTM-8B/125S,DTM-8B/125S,DVB-T Half	1	SA
...4		BN41-01603B	PCB MAIN;FR-4,4,1.2T,192*195	1	SNA
...4		BN97-05303A	ASSY MICOM;SubMicomEU_XXXX,U66A,61P805,0	1	SNA
....5		0903-001718	IC-MICROCONTROLLER;61P805-RG480WT,LQFP,4	1	SNA
...4		BN97-05383A	ASSY MICOM;T-MST4DEUC-XXXX,U57A,2010.11.	1	SNA
....5		1107-001990	IC-NAND FLASH;KFG1GN6W2D-HIB6,1Gbit,64Mx	1	SA
....5		BN46-00051D	S/W-E-MANUAL;COM,DVB-EU4,X5,8Langs	1	SNA
....5		BN46-00060A	S/W MICOM;T-MST4DEUC,EU,Eng/Swe/Dan/Nor/	1	SNA
..3	T0066	BP62-00017A	HEAT SINK-ES;SP-50L2HX,A6063S,T2.0,26.2,	1	SNA
1		BN91-06832A	ASSY LCD-AUO;BN07-00824A	1	SNA
.2	PANEL	BN07-00967A	LCD-PANEL;T260XW04 V8,AU26X48,8bit,26 in	1	SA
1		BN91-06838A	ASSY SHIELD;LE26D450G1WXXC,AOD	1	SNA
.2	T0081	6001-002284	SCREW-MACHINE;BH,+,M4,L8,ZPC(WHT),SWRCH1	11	SA
.2	EC13	BN39-01448A	LEAD CONNECTOR;LN32D550,Lead Connector A	1	SA
.2	EC13	BN39-01449E	LEAD CONNECTOR;LN26D450,Lead Connector A	1	SA
.2	P001A	BN44-00438C	AC VSS(I)-TV;I2632F1_BDY,I2632F1_BDY,63k	1	SA
.2		BN61-07299A	HOLDER-SIDE, AV;LD450,26/32,EO,HIPS,BK00	1	SNA
.2	M0230	BN96-12469D	ASSY CABLE P-FFC;LA26C450,FFC,1mm PITCH,	1	SA
.2	SB05A	BN96-16984A	ASSY BRACKET P-STAND LINK;LD450,26,SECC,	1	SNA
..3		BN60-00162Y	SPACER-FOAM;FOAM,50000mm,Dark Gray,0.35T	0	SNA
..3		BN61-02429K	STUD-PEM;PNB,M3.8,D7,L14.9,ZPC(SIL),SUM2	4	SNA

Exploded Views and Parts List

Level	Loc.	Part Code	Description & Specification	Qty.	SA/SNA
..3		BN61-05281A	HOLDER-CLAMP;LCD,NYLON 66,WHT	2	SNA
..3	CB18	BN61-07104A	BRACKET-STAND LINK;SECC,1.2,LD450 26"	1	SNA
1		BN92-07823A	ASSY P/MATERIAL;LD450,26	1	SNA
.2		6902-001116	BAG ROLL;HDPE/HDPE/NITRON,T0.5,W600,L175	2	SNA
.2	M040	6922-000013	BAND PP;PP,W18,L2300/L2900,TRP	1	SNA
.2		BH69-40383L	PACKING INNER-00,PAD;COMM,CB,1200,900,YE	1	SNA
.2		BN63-07496A	COVER-PALLET FOIL;LB530,PE,T0.05,2000,20	1	SNA
.2		BN63-07517F	COVER-SHEET NITRON;UE22C4000P,PE,T3.0,12	1	SNA
.2		BN69-03934A	WRAP STRETCH FILM;All,HDPE,0.012,500,300	3	SNA
.2		BN69-05444A	PALLET-WOODEN;UE22C4000P,WOOD-OTH,1250,9	1	SNA
.2		BN69-05501A	PAD PACKING-EDGE;CB,T5,W80x80,L2100,YEL,	1	SNA
.2		BN69-05632A	CUSHION-SET;LD450 26,EPS	1	SNA
.2		BN74-00008D	TAPE-OPP MASKING;OPP,T0.05,W75,L800M,CLR	2	SNA
.2		BN81-02321A	BAG-AIR;LIGHT FLEX PLASTIK,PE WHITE,L120	1	SNA
1		BN92-07825E	ASSY BOX;LD450,26,EO	1	SNA
.2		BH68-00662A	LABEL BOX-00;ALL MODEL,MOJO 90G,60,110,W	1	SNA
.2		BN69-05948F	BOX-SET;26LD450,CB,A1,SW2,YEL,W843,D143,	1	SNA
1	ACCE1	BN92-07992M	ASSY ACCESSORY;LE19D450G1WXZG	1	SNA
.2	ACCE4	BN96-18413G	ASSY ACCESSORY-MANUAL;LE19D450G1WXZG,22,	1	SNA
..3		6902-000476	BAG PE;LDPE,T0.03,W250,L350,TRP,Recycle,	1	SNA
..3		BN68-00514K	MANUAL FLYER-WARRANTY CARD;comm,Samsung,	1	SNA
..3		BN68-03019A	LEAFLET-SAFETY GUIDE;ALL,SAMSUNG,28LENGS	1	SNA
..3		BN68-03390C	MANUAL FLYER-01,STAND GUIDE;L450(19~26),	1	SNA
..3		BN68-03394C	MANUAL USERS;LD450,Samsung,4Langs,ZG/ZT,	1	SNA
.2	ACCE2	BN96-18415A	ASSY ACCESSORY-CABLE;LE26D450G1WXXC	1	SNA
..3	T0268	3903-000603	CBF-POWER CORD;DT,CEE,LP-21L,250V,2.5A,B	1	SA
..3	T0120	4301-000121	BATTERY-MN;1.5V,R03,10.5x44.5m,HOLDER,7.	2	SNA
..3	T0081	6002-001294	SCREW-TAPPING;BH,+,,M4,L16,ZPC(BLK)	3	SA
..3	T0524	6902-000341	BAG PE;LDPE,T0.05,L90,W70,TRP,,,PE MARK	1	SNA
..3		6902-001340	BAG PE;LDPE,T0.05,W250,L350,TRP,RECYCLE	1	SNA
..3	REMO2	AA59-00484A	REMOCON;TM950,48,3V,EUROPE_iDTV,580,570,	1	SA
..3	M9889	BN63-01798B	CLOTH-CLEAN;cloth,180,200,sea blue,ToC	1	SNA
1		BN92-08421C	ASSY LABEL;LN22D450G1FX*	1	SNA
.2	CCM1	BN68-01176A	LABEL RATING;W/W,SS,PET POLYESTER,T0.05,	1	SNA