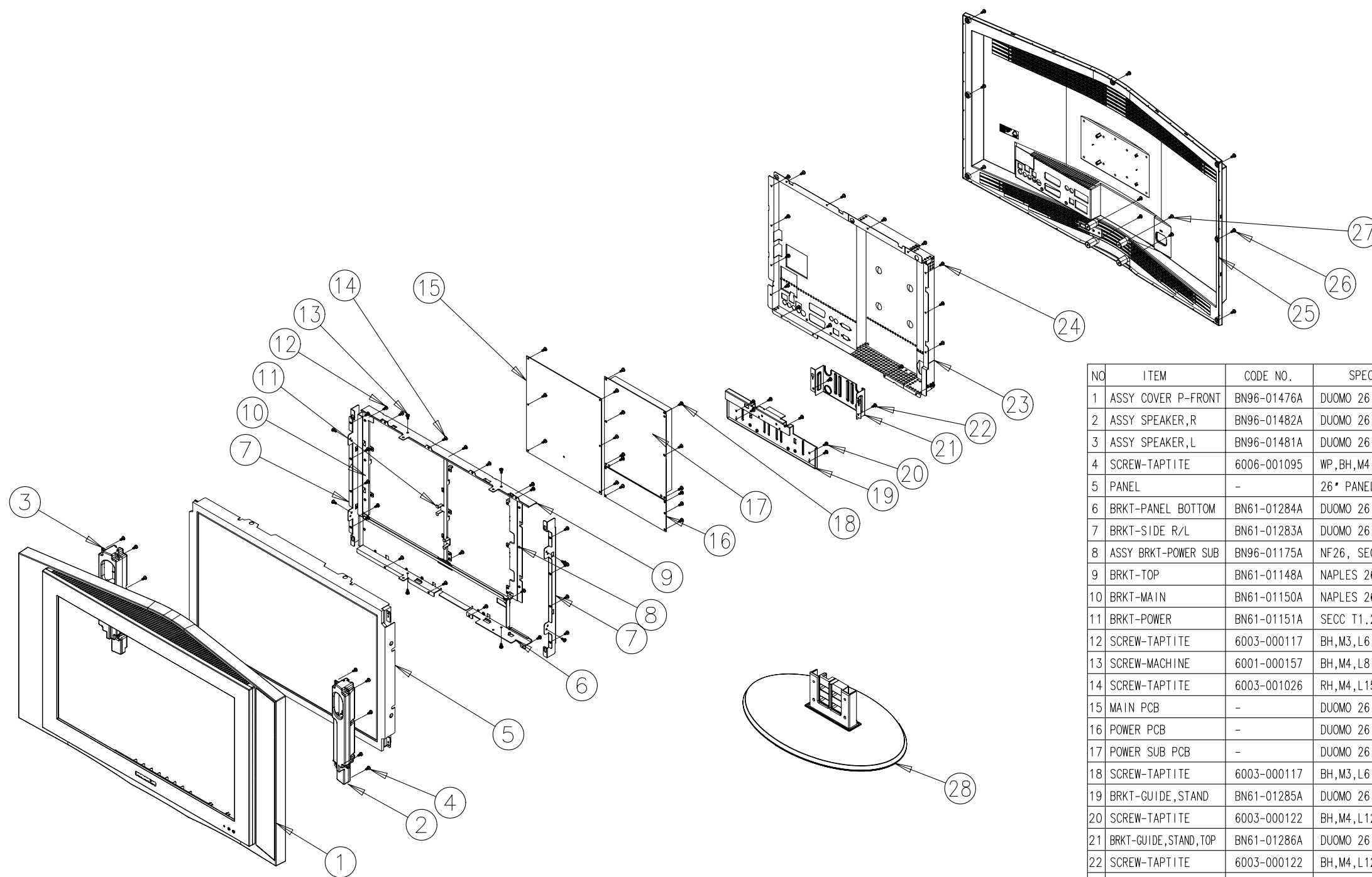


6 Exploded View and Parts List

* You can search for updated part codes through ITSELF web site.

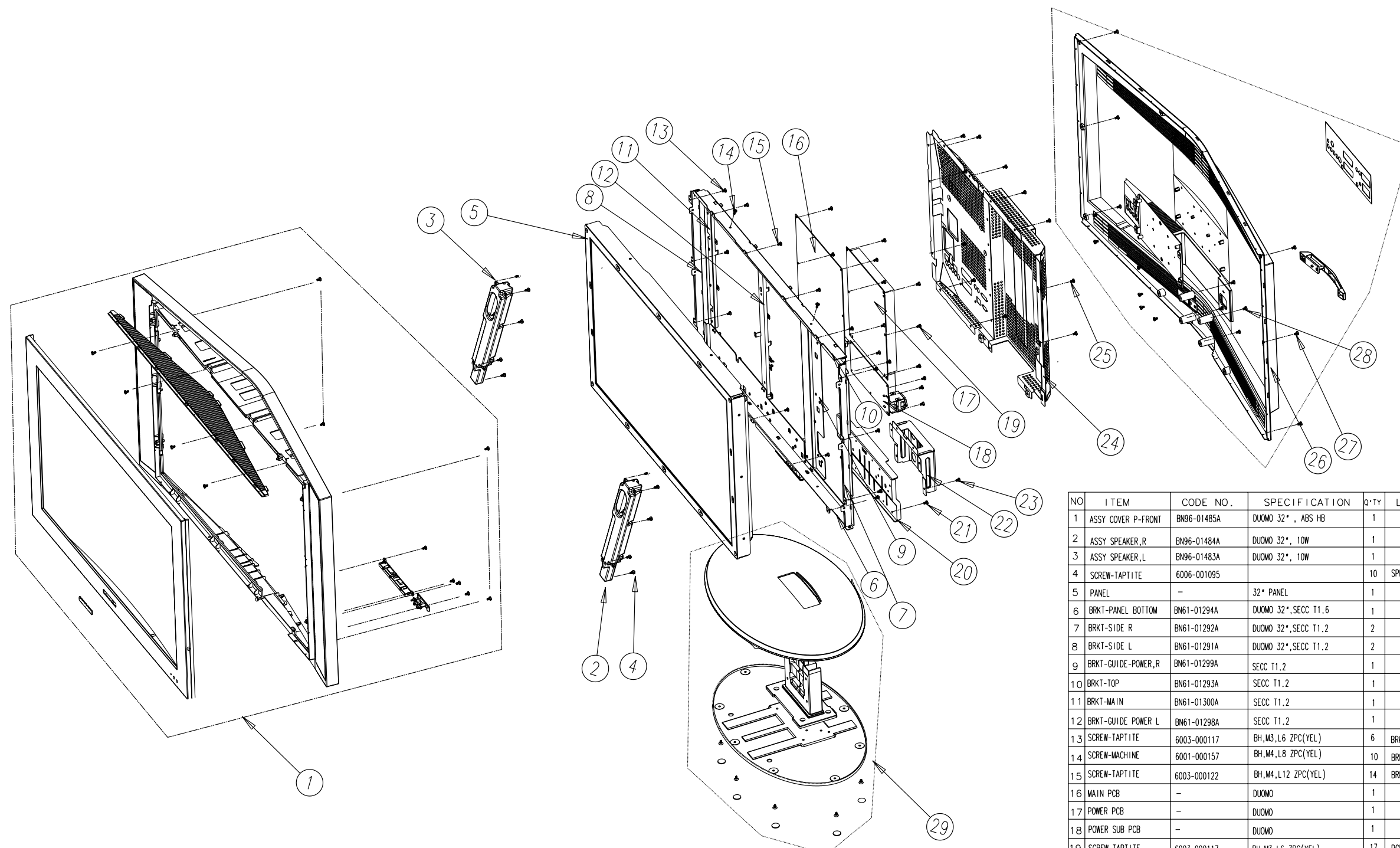
URL : <http://itself.sec.samsung.co.kr/>

6-1 LE26A41B



NO	ITEM	CODE NO.	SPECIFICATION	Q'TY	LOCATION	REMARK
1	ASSY COVER P-FRONT	BN96-01476A	DUOMO 26", ABS HB	1		SA
2	ASSY SPEAKER,R	BN96-01482A	DUOMO 26", 5W	1		SA
3	ASSY SPEAKER,L	BN96-01481A	DUOMO 26", 5W	1		SA
4	SCREW-TAPTITE	6006-001095	WP,BH,M4,L12	10	SPK+MIDDLE	SA
5	PANEL	-	26" PANEL	1		SA
6	BRKT-PANEL BOTTOM	BN61-01284A	DUOMO 26", SECC T1.0	1		SNA
7	BRKT-SIDE R/L	BN61-01283A	DUOMO 26", SECC T1.0	2		SNA
8	ASSY BRKT-POWER SUB	BN96-01175A	NF26, SECC T1.2	1		SNA
9	BRKT-TOP	BN61-01148A	NAPLES 26" SECC T1.2	1		SNA
10	BRKT-MAIN	BN61-01150A	NAPLES 26" SECC T1.2	1		SNA
11	BRKT-POWER	BN61-01151A	SECC T1.2	1		SNA
12	SCREW-TAPTITE	6003-000117	BH,M3,L6	6	BRKT+BRKT	SA
13	SCREW-MACHINE	6001-000157	BH,M4,L8	8	BRKT+PANEL	SA
14	SCREW-TAPTITE	6003-001026	RH,M4,L15,BLK	16	BRKT+MIDDLE	SA
15	MAIN PCB	-	DUOMO 26"	1		SA
16	POWER PCB	-	DUOMO 26"	1		SA
17	POWER SUB PCB	-	DUOMO 26"	1		SA
18	SCREW-TAPTITE	6003-000117	BH,M3,L6	17	PCB+BRKT	SA
19	BRKT-GUIDE,STAND	BN61-01285A	DUOMO 26", SECC T1.6	1		SNA
20	SCREW-TAPTITE	6003-000122	BH,M4,L12,YEL	6	B/GUIDE+MIDDLE	SA
21	BRKT-GUIDE,STAND,TOP	BN61-01286A	DUOMO 26", SECC T1.0	1		SNA
22	SCREW-TAPTITE	6003-000122	BH,M4,L12,YEL	2	GUIDE,TOP+B/GUIDE	SA
23	ASSY SHIELD-PCB	BN96-01129A	NA26, SECC T0.5	1		SA
24	SCREW-TAPTITE	6003-000117	BH,M3,L6	15	SHIELD+BRKT	SNA
25	ASSY COVER-REAR	BN96-01477A	DUOMO 26", ABS HB	1		SA
26	SCREW-TAPTITE	6003-001323	BH,M4,L12,N1 PLT	1	REAR+C/MIDDLE	SA
27	SCREW-TAPTITE	6003-000009	BH,M4,L16,YEL	4	SET+STAND	SA
28	ASSY STAND	BN96-01478A	DUOMO 26", ABS HB	1		SA

6-2 LE32A41B



NO	ITEM	CODE NO.	SPECIFICATION	Q'TY	LOCATION	REMARK
1	ASSY COVER P-FRONT	BN96-01485A	DUOMO 32" , ABS HB	1		SA
2	ASSY SPEAKER,R	BN96-01484A	DUOMO 32" , 10W	1		SA
3	ASSY SPEAKER,L	BN96-01483A	DUOMO 32" , 10W	1		SA
4	SCREW-TAPTITE	6006-001095		10	SPK+MIDDLE	SA
5	PANEL	-	32" PANEL	1		SA
6	BRKT-PANEL BOTTOM	BN61-01294A	DUOMO 32" ,SECC T1.6	1		SNA
7	BRKT-SIDE R	BN61-01292A	DUOMO 32" ,SECC T1.2	2		SNA
8	BRKT-SIDE L	BN61-01291A	DUOMO 32" ,SECC T1.2	2		SNA
9	BRKT-GUIDE-POWER,R	BN61-01299A	SECC T1.2	1		SNA
10	BRKT-TOP	BN61-01293A	SECC T1.2	1		SNA
11	BRKT-MAIN	BN61-01300A	SECC T1.2	1		SNA
12	BRKT-GUIDE POWER L	BN61-01298A	SECC T1.2	1		SNA
13	SCREW-TAPTITE	6003-000117	BH,M3,L6 ZPC(YEL)	6	BRKT+BRKT	SNA
14	SCREW-MACHINE	6001-000157	BH,M4,L8 ZPC(YEL)	10	BRKT+PANEL	SA
15	SCREW-TAPTITE	6003-000122	BH,M4,L12 ZPC(YEL)	14	BRKT+MIDDLE	SA
16	MAIN PCB	-	DUOMO	1		SA
17	POWER PCB	-	DUOMO	1		SA
18	POWER SUB PCB	-	DUOMO	1		SA
19	SCREW-TAPTITE	6003-000117	BH,M3,L6 ZPC(YEL)	17	PCB+BRKT	SA
20	BRKT-GUIDE,STAND,BTM	BN61-01296A	DUOMO 32" ,SECC T2.0	1		SNA
21	SCREW-TAPTITE	6003-000122	BH,M4,L12 ZPC(YEL)	7	B/GUIDE+MIDDLE	SA
22	BRKT-GUIDE,STAND,TOP	BN61-01295A	DUOMO 32" ,SECC T1.0	1		SNA
23	SCREW-TAPTITE	6003-000122	BH,M4,L12 ZPC(YEL)	6	GUIDE, TOP+B/GUIDE	SA
24	ASSY SHIELD-PCB	BN96-01611A	SECC T1.0	1		SNA
25	SCREW-TAPTITE	6003-000117	BH,M3,L6 ZPC(YEL)	11	SHIELD+BRKT	SA
26	ASSY COVER-REAR	BN96-01486A	DUOMO 32" ,HIPS HB	1		SA
27	SCREW-TAPTITE	6003-001324	BH,M4,L16,N1 PLT	12	REAR+C/MIDDLE	SA
28	SCREW-TAPTITE	6003-000009	BH,M4,L16,ZPC(YEL)	4	SET+STAND	SA
29	ASSY STAND	BN96-01487A	DUOMO 32" ,ABS HB	1		SA