

SHARP PARTS GUIDE

No. S30E940LE810E



LCD COLOUR TELEVISION

LC-40LE810E

LC-46LE810E

LC-40LX810E

MODELS LC-46LX810E

CONTENTS

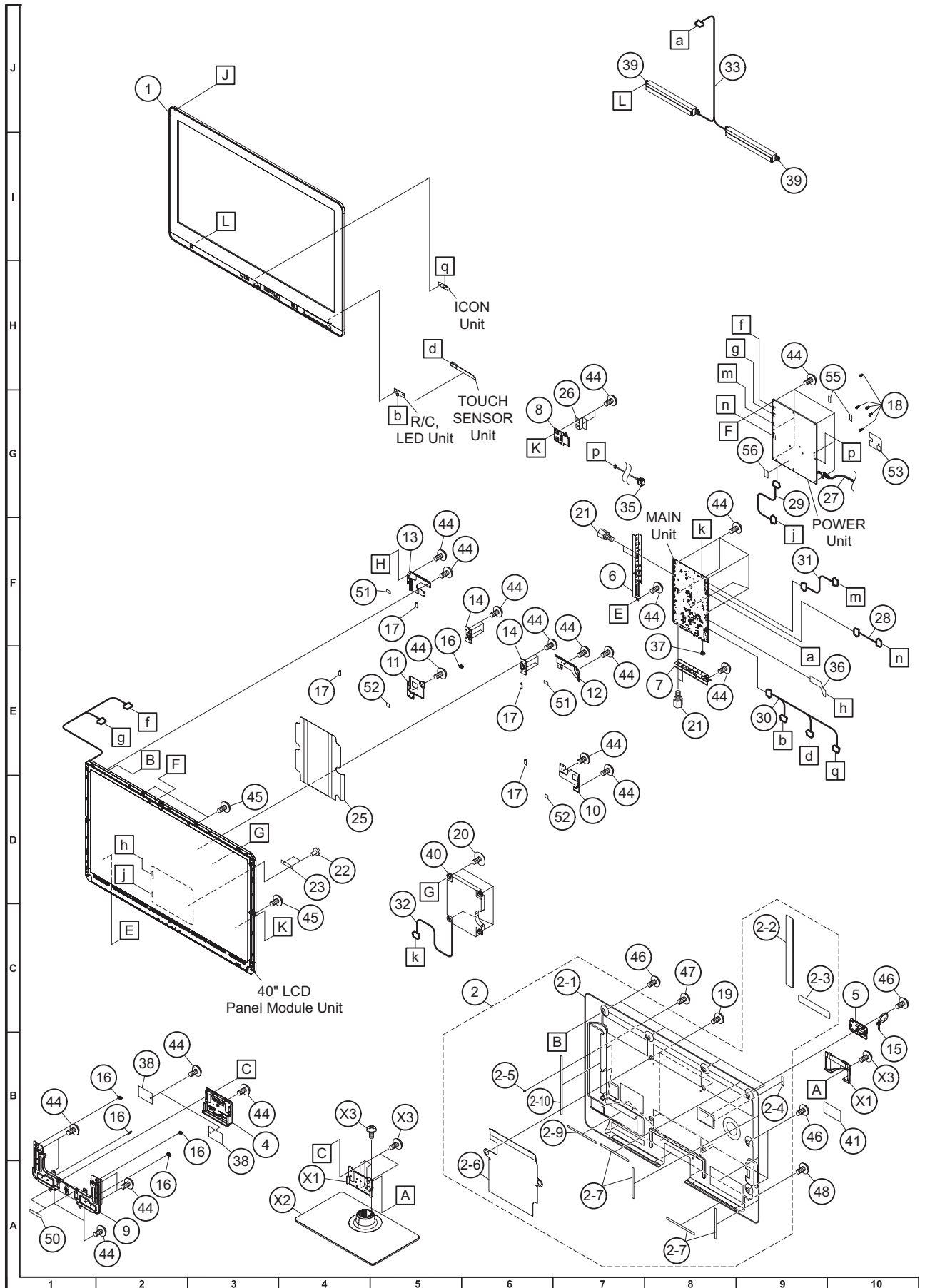
- | | |
|---|---|
| [1] PRINTED WIRING BOARD ASSEMBLIES | [5] SUPPLIED ACCESSORIES |
| [2] LCD PANEL MODULE | [6] PACKING PARTS
(NOT REPLACEMENT ITEM)
(LC-40LE810E/LX810E) |
| [3] CABINET PARTS
(LC-40LE810E/LX810E) | [7] PACKING PARTS
(NOT REPLACEMENT ITEM)
(LC-46LE810E/LX810E) |
| [4] CABINET PARTS
(LC-46LE810E/LX810E) | [8] SERVICE JIGS
(USE FOR SERVICING) |

Parts marked with "▲" are important for maintaining the safety of the set. Be sure to replace these parts with specified ones for maintaining the safety and performance of the set.

LC-40/46LE810E, LC-40/46LX810E

NO.	PARTS CODE	PRICE RANK	NEW MARK	PART DELIVERY	DESCRIPTION
[1] PRINTED WIRING BOARD ASSEMBLIES					
N	DKEYDF455FM03	CD	N	P	MAIN Unit
N	DUNTKF494FM02	AP	N	P	R/C, LED Unit
N	DUNTKF493FM03	AP	N	P	ICON Unit
N	RUNTKA692WJQZ		N	P	TOUCH SENSOR Unit
N	RUNTKA685WJQZ	BS	N	P	POWER Unit (LC-40LE810E/LX810E)
N	RUNTKA686WJQZ	BT	N	P	POWER Unit (LC-46LE810E/LX810E)
N	RUNTK4512TPZC	CA	N	P	LCD CONTROL Unit
N	RUNTK4462TPZZ	BG	N	P	LED PWB Unit, x4 (LC-40LE810E/LX810E)
N	RUNTK4461TPZZ	BK	N	P	LED PWB Unit, x4 (LC-46LE810E/LX810E)
[2] LCD PANEL MODULE					
N	R1LK400D3LWF2Y	DM	N	P	40" LCD Panel Module Unit (LC-40LE810E/LX810E)
N	R1LK460D3LWA2Y	DT	N	P	46" LCD Panel Module Unit (LC-46LE810E/LX810E)

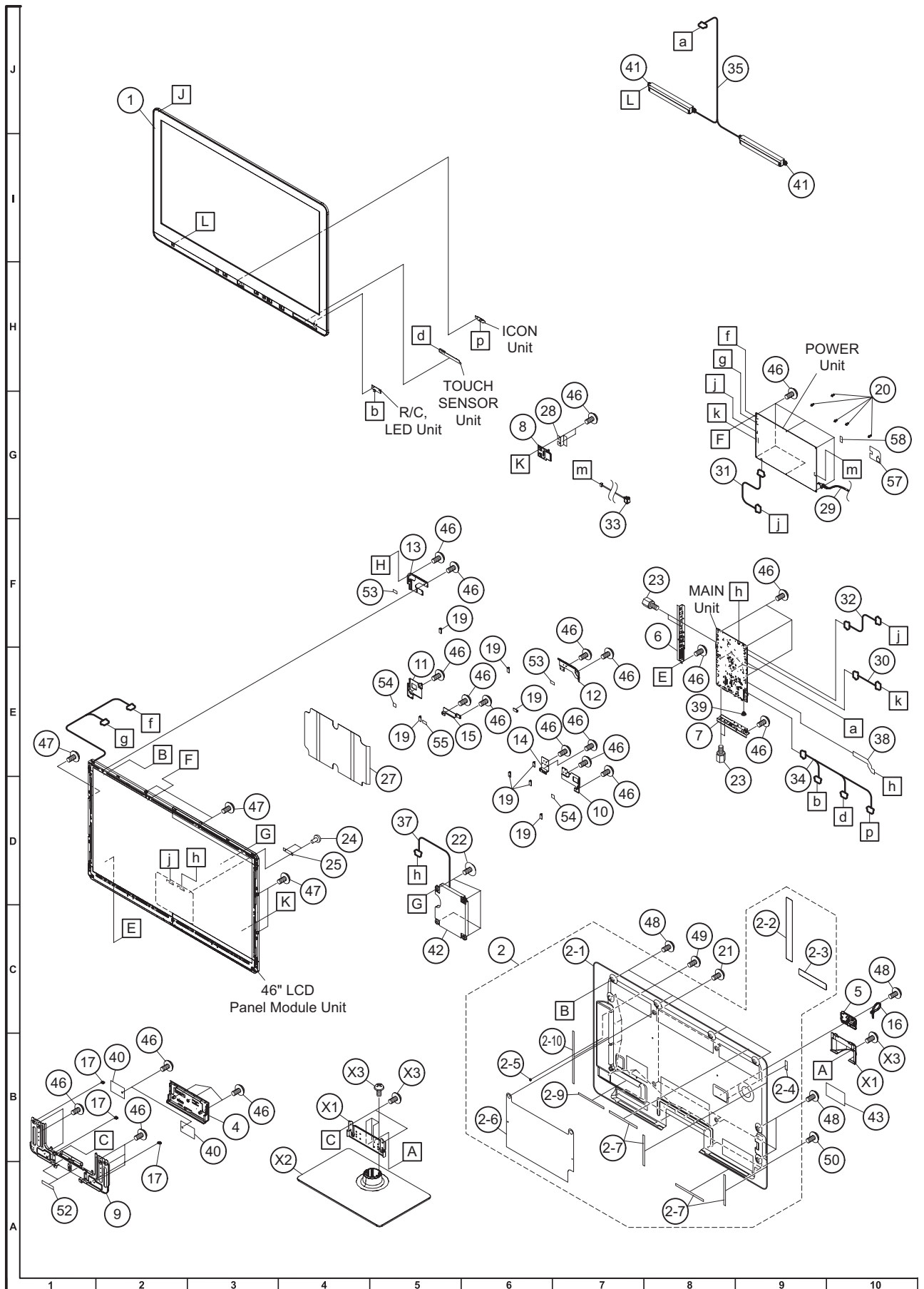
[3] CABINET PARTS (LC-40LE810E/LX810E)



LC-40/46LE810E, LC-40/46LX810E

NO.	PARTS CODE	PRICE RANK	NEW MARK	PART DELIVERY	DESCRIPTION	
[3] CABINET PARTS (LC-40LE810E/LX810E)						
1	CCABAC527WJ11	BU	N	P	Front Cabinet Ass'y (LC-40LE810E)	
1	CCABAC527WJ13		N	P	Front Cabinet Ass'y (LC-40LX810E)	
2	CCABBB698WJ12	BQ	N	P	Rear Cabinet Ass'y	
2-1	Not available	-	N	-	Rear Cabinet	
2-2	Not available	-	N	-	Terminal Label (Side)	
2-3	Not available	-	N	-	Terminal Label (Bottom)	
2-4	Not available	-	N	-	Himeron	
2-5	Not available	-	N	-	Spacer	
2-6	Not available	-	N	-	Insulation Sheet	
2-7	Not available	-	N	-	Himeron, x4	
2-9	Not available	-	N	-	Himeron	
2-10	Not available	-	N	-	Himeron	
4	GCOVAD696WJ1A	AG	N	P	Stand Cover	
5	GCOVAD699WJ1A	AD	N	P	AC Cord Cover	
6	GCOVAD710WJSA	AL	N	P	Terminal Angle (Side)	
7	GCOVAD707WJSA	AK	N	P	Terminal Angle (Bottom)	
8	GCOVAD709WJ1A	AF	N	P	ECO Switch Cover	
9	LANGKC719WJM1	BC	N	P	Stand Angle	
10	LANGKC743WJFW	AG	N	P	LCD Angle (Bottom-L)	
11	LANGKC744WJFW	AG	N	P	LCD Angle (Bottom-R)	
12	LANGKC745WJFW	AF	N	P	LCD Angle (Top-L)	
13	LANGKC746WJFW	AF	N	P	LCD Angle (Top-R)	
14	LANGKC775WJM1	AK	N	P	VESA Angle, x2	
15	LHLDKA011WJKZ	AC	N	P	AC Cord Band	
16	LHLDDWA143WJKZ	AC		J	Wire Holder, x5	
17	LHLDDWA294WJUJ	AC		J	Wire Holder, x4	
18	LHLDDZA587WJKZ	AC		J	Spacer, x5	
19	LX-BZA170WJF9	AB	N	P	Screw (for VESA/Rear Cabinet Ass'y), x4	
20	LX-BZA364WJF7	AA	N	P	Screw (for Woofer), x4	
21	NSFTZA362WJFW	AA	N	P	Shaft (for PWB/Angle), x4	
22	PCLiCA004WJKZ	AC		J	Nylon Rivet, x2	
23	PMLT-A636WJZZ	AE	N	P	Gasket	
25	PZETKA548WJKZ	AT	N	P	Insulation Sheet (Power)	
26	PZETKA556WJKZ	AE	N	P	Insulation Sheet (ECO)	
△	27	QACCKA052WJPZ	AN	N	P	AC Cord
	28	QCNW-K976WJQZ	AG	N	P	Connecting Cord (PD)
	29	QCNW-K977WJQZ	AE	N	P	Connecting Cord (PL)
	30	QCNW-K551WJQZ	AU	N	P	Connecting Cord (RA)
	31	QCNW-K978WJQZ	AF	N	P	Connecting Cord (LB)
	32	QCNW-K553WJQZ	AH	N	P	Connecting Cord (SB)
	33	QCNW-K554WJQZ	AK	N	P	Connecting Cord (SP)
△	35	QCNW-K556WJQZ	AV	N	P	Connecting Cord (AS)
	36	QCNW-K576WJQZ	AT	N	P	Connecting Cord (LW)
	37	QEARZ0057CEFW	AB		J	Earth Spring
	38	QEARZA186WJZZ	AF	N	P	Conductive Tape, x2
	39	RSP-ZA456WJZZ	AX	N	P	Speaker (L/R), x2
	40	RSP-ZA458WJZZ	BA	N	P	Speaker (Woofer)
	41	TLABNC117WJZZ	AA	N	P	Model Label
	44	XBPS730P06WS0	AA		J	Screw (for PWB/Angle/LCD/Cabinet), x39
	45	XBPS730P10WS0	AA		J	Screw (for Panel Angle), x3
	46	XBPS830P06WS0	AA		J	Screw (for Rear Cabinet Ass'y), x13
	47	XBPS830P14WS0	AA	N	P	Screw (for Rear Cabinet Ass'y)
	48	XEBS840P10000	AF	N	J	Screw (for Speaker), x4
	50	PSPA ZC492WJKZ	AB	N	P	Spacer, x2
	51	PSPAGA889WJKZ	AF	N	P	Spacer, x2
	52	PSPAGA891WJKZ	AE	N	P	Spacer, x2
	53	PZETKA563WJKZ	AF	N	P	Insulation Sheet (AC)
	55	PCUSGA142WJKZ	AG	N	P	Rubber Bush, x2
	56	PSPA ZC494WJKZ	AG	N	P	Cooling Sheet

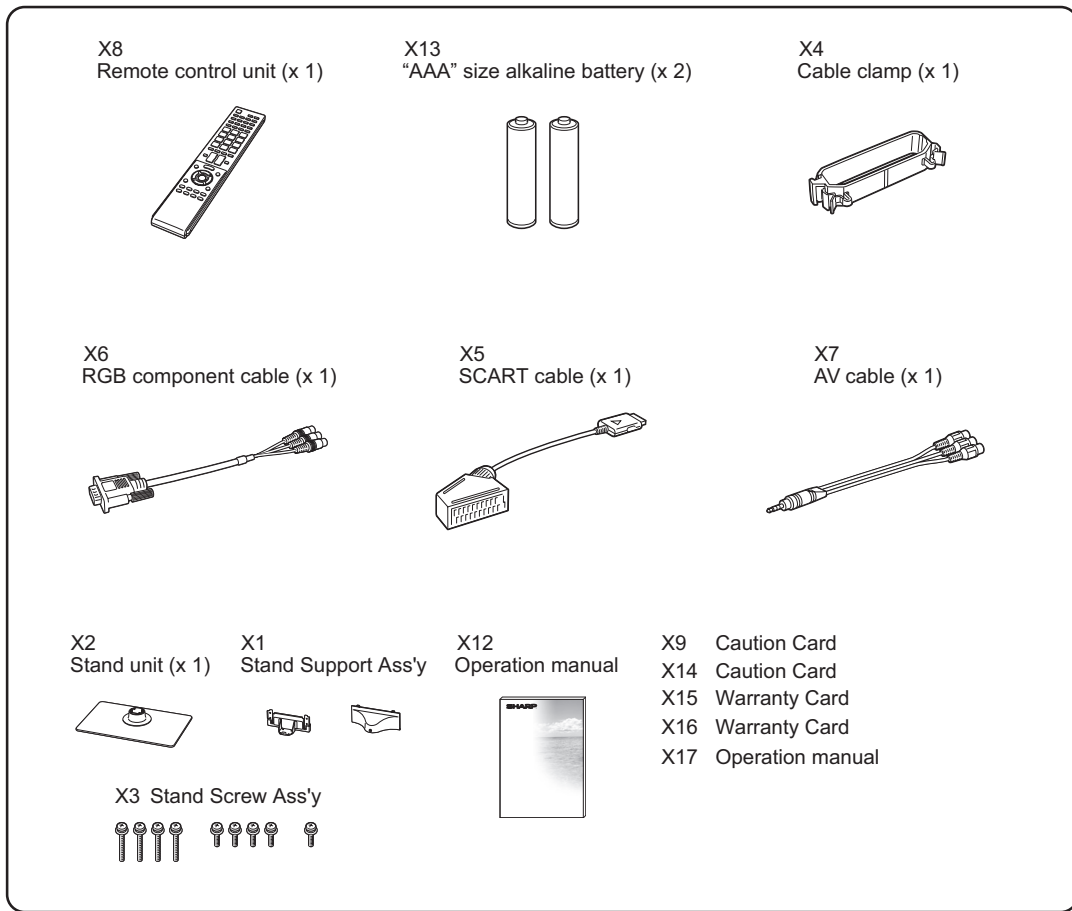
[4] CABINET PARTS (LC-46LE810E/LX810E)



LC-40/46LE810E, LC-40/46LX810E

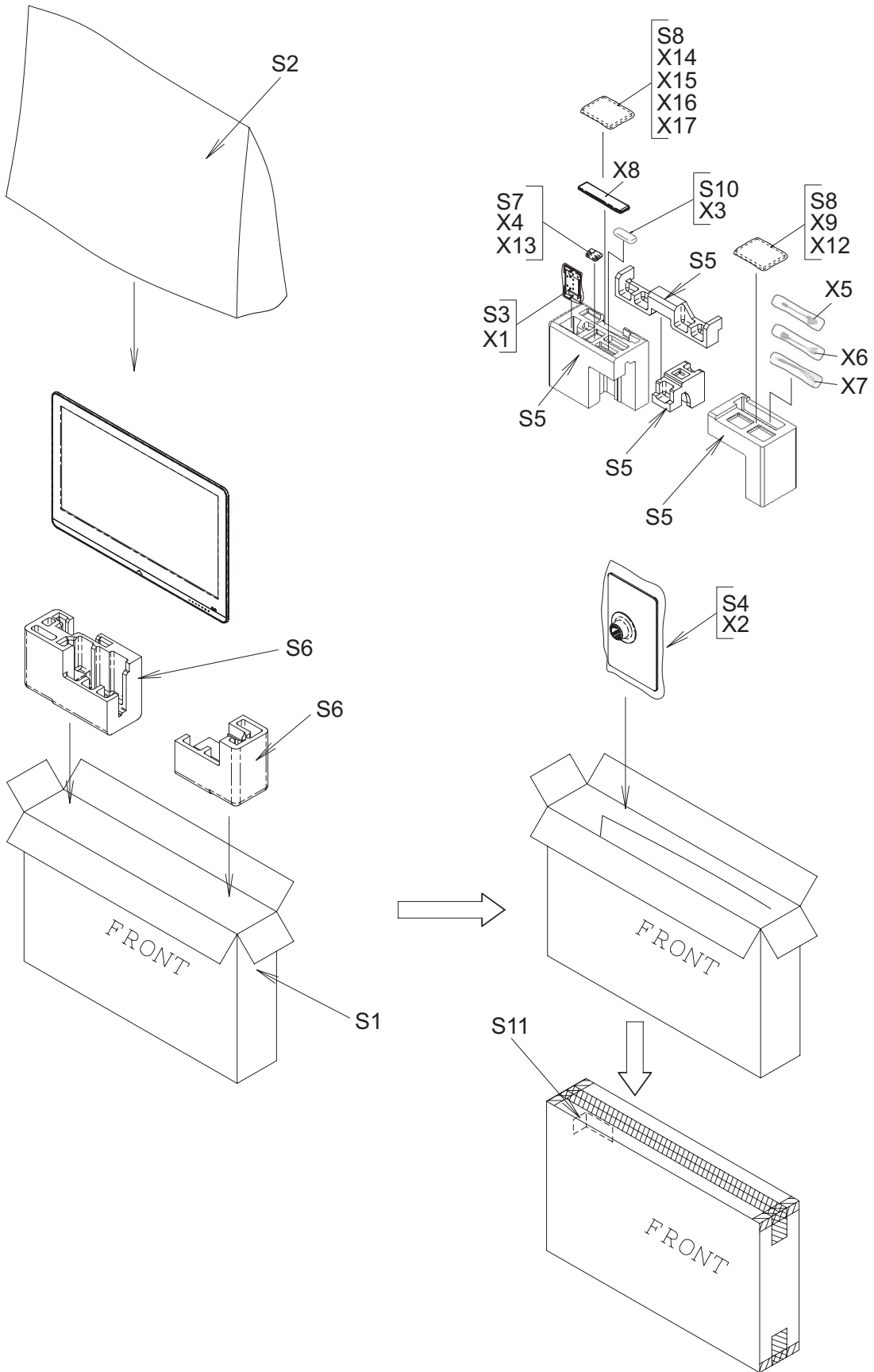
NO.	PARTS CODE	PRICE RANK	NEW MARK	PART DELIVERY	DESCRIPTION
[4] CABINET PARTS (LC-46LE810E/LX810E)					
1	CCABAC528WJ11	BW	N	P	Front Cabinet Ass'y (LC-46LE810E)
1	CCABAC528WJ13		N	P	Front Cabinet Ass'y (LC-46LX810E)
2	CCABBB699WE12		N	P	Rear Cabinet Ass'y
2-1	Not available	-	N	-	Rear Cabinet
2-2	Not available	-	N	-	Terminal Label (Side)
2-3	Not available	-	N	-	Terminal Label (Bottom)
2-4	Not available	-	N	-	Himeron
2-5	Not available	-	N	-	Spacer
2-6	Not available	-	N	-	Insulation Sheet
2-7	Not available	-	N	-	Himeron, x4
2-9	Not available	-	N	-	Himeron
2-10	Not available	-	N	-	Himeron
4	GCOVAD697WJ1A	AK	N	P	Stand Cover
5	GCOVAD699WJ1A	AD	N	P	AC Cord Cover
6	GCOVAD710WJSA	AL	N	P	Terminal Angle (Side)
7	GCOVAD707WJSA	AK	N	P	Terminal Angle (Bottom)
8	GCOVAD709WJ1A	AF	N	P	ECO Switch Cover
9	LANGKC720WJFW	AW	N	P	Stand Angle
10	LANGKC743WJFW	AG	N	P	LCD Angle (Bottom-L)
11	LANGKC744WJFW	AG	N	P	LCD Angle (Bottom-R)
12	LANGKC745WJFW	AF	N	P	LCD Angle (Top-L)
13	LANGKC746WJFW	AF	N	P	LCD Angle (Top-R)
14	LANGKC747WJFW	AE	N	P	LCD Angle (B-C-A)
15	LANGKC811WJFW	AD	N	P	LCD Angle (B-C-B)
16	LHLDKA011WJKZ	AC	N	P	AC Cord Band
17	LHLDWA143WJKZ	AC		J	Wire Holder, x3
19	LHLDWA294WJUJ	AC		J	Wire Holder, x8
20	LHLDZA587WJKZ	AC		J	Spacer, x5
21	LX-BZA170WJF9	AB	N	P	Screw (for VESA/Rear Cabinet Ass'y), x4
22	LX-BZA364WJF7	AA	N	P	Screw (for Woofer), x4
23	NSFTZA362WJFW	AA	N	P	Shaft (for PWB/Angle), x4
24	PCLICA004WJKZ	AC		J	Nylon Rivet, x2
25	PMLT-A636WJZZ	AE	N	P	Gasket
27	PZETKA541WJKZ	AW	N	P	Insulation Sheet (Power)
28	PZETKA556WJKZ	AE	N	P	Insulation Sheet (ECO)
29	QACCKA052WJPZ	AN	N	P	AC Cord
30	QCNW-K976WJQZ	AG	N	P	Connecting Cord (PD)
31	QCNW-K977WJQZ	AE	N	P	Connecting Cord (PL)
32	QCNW-K978WJQZ	AF	N	P	Connecting Cord (LB)
33	QCNW-K556WJQZ	AV	N	P	Connecting Cord (AS)
34	QCNW-K572WJQZ	AV	N	P	Connecting Cord (RA)
35	QCNW-K559WJQZ	AK	N	P	Connecting Cord (SP)
37	QCNW-K570WJQZ	AG	N	P	Connecting Cord (SB)
38	QCNW-K577WJQZ	AU	N	P	Connecting Cord (LW)
39	QEARZ0057CEFW	AB		J	Earth Spring
40	QEARZA186WJZZ	AF	N	P	Conductive Tape, x2
41	RSP-ZA456WJZZ	AX	N	P	Speaker (L/R), x2
42	RSP-ZA458WJZZ	BA	N	P	Speaker (Woofer)
43	TLABNC117WJZZ	AA	N	P	Model Label
46	XBPS730P06WS0	AA		J	Screw (for PWB/Angle/LCD/Cabinet), x37
47	XBPS730P10WS0	AA		J	Screw (for Panel Angle), x5
48	XBPS830P06WS0	AA		J	Screw (for Rear Cabinet Ass'y), x17
49	XBPS830P14WS0	AA	N	P	Screw (for Rear Cabinet Ass'y)
50	XEBS840P10000	AF	N	J	Screw (for Speaker/Rear Cabinet Ass'y), x4
52	PSPAZC492WJKZ	AB	N	P	Spacer, x2
53	PSPAGA889WJKZ	AF	N	P	Spacer, x2
54	PSPAGA891WJKZ	AE	N	P	Spacer, x2
55	PSPAGA892WJKZ	AE	N	P	Spacer
57	PZETKA563WJKZ	AF	N	P	Insulation Sheet (AC)
58	PCUSGA142WJKZ	AG	N	P	Rubber Bush

[5] SUPPLIED ACCESSORIES



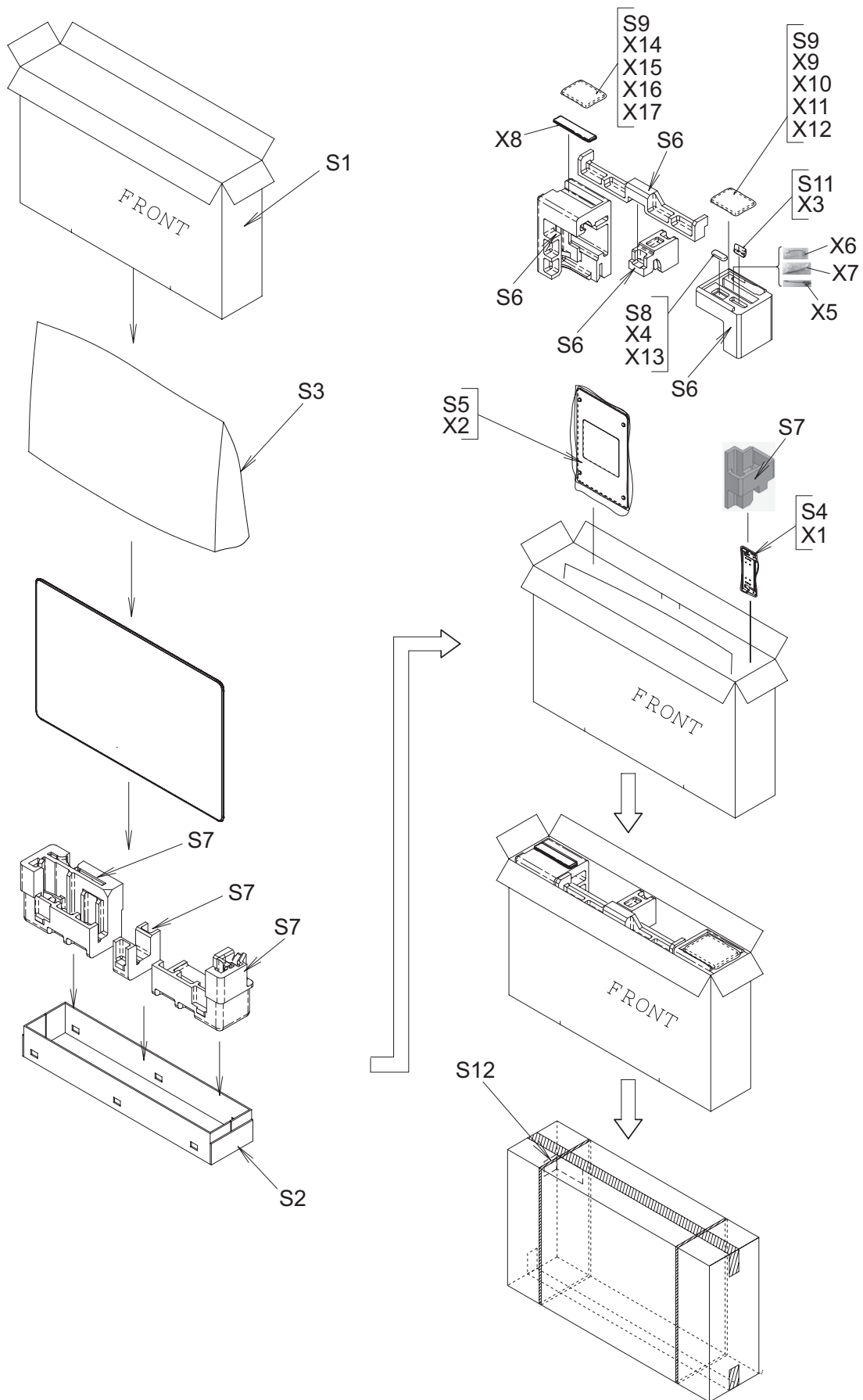
NO.	PARTS CODE	PRICE RANK	NEW MARK	PART DELIVERY	DESCRIPTION
[5] SUPPLIED ACCESSORIES					
X1	CANGKC707WJ01	AY	N	P	Stand Support Ass'y (LC-40LE810E/LX810E)
X1	CANGKC708WJ01	AY	N	P	Stand Support Ass'y (LC-46LE810E/LX810E)
X2	CDAi-A653WJ01	BH	N	P	Stand Unit (LC-40LE810E)
X2	CDAi-A653WJ04	N	N	P	Stand Unit (LC-40LX810E)
X2	CDAi-A654WJ02	BM	N	P	Stand Unit (LC-46LE810E)
X2	CDAi-A654WJ04	N	N	P	Stand Unit (LC-46LX810E)
X3	CX-BZA363WJ01	AF	N	P	Stand Screw Ass'y
X4	LHLDWA298WJKA	AD	N	J	Cable Clamp
X5	QCNWGA158WJPZ	AU	N	P	SCART Cable
X6	QCNWGA159WJPZ	AN	N	P	RGB Component Cable
X7	QCNWGA160WJPZ	AM	N	P	AV Cable
X8	RRMCGA857WJSA	AY	N	P	Remote Control Unit
X9	TCAUZA421WJN1	AA	N	P	Caution Card
X12	TiNS-E540WJN1	AT	N	P	Operation Manual
X13	Not available	-	-	-	"AAA" size alkaline battery, x2
X14	TCAUSA034WJZZ	AA	N	P	Caution Card
X15	TGAN-B078WJZZ	AC	N	P	Warranty Card
X16	TGAN-B079WJZZ	AB	N	P	Warranty Card
X17	TiNS-E541WJN1	AV	N	P	Operation Manual

[6] PACKING PARTS (NOT REPLACEMENT ITEM) (LC-40LE810E/LX810E)



NO.	PARTS CODE	PRICE RANK	NEW MARK	PART DELIVERY	DESCRIPTION
[6] PACKING PARTS (NOT REPLACEMENT ITEM) (LC-40LE810E/LX810E)					
S1	SPAKCF674WJZZ	-	N	-	Packing Case (LC-40LE810E)
S1	SPAKCF753WJZZ	-	N	-	Packing Case (LC-40LX810E)
S2	SPAKPB475WJZZ	-	N	-	Wrapping Paper
S3	SPAKPB526WJZZ	-	N	-	Wrapping Paper, x2
S4	SPAKPB528WJZZ	-	N	-	Wrapping Paper (LC-40LE810E)
S4	SPAKPB561WJZZ	-	N	-	Wrapping Paper (LC-40LX810E)
S5	SPAKXC920WJZZ	-	N	-	Packing Add. (Top)
S6	SPAKXC925WJZZ	-	N	-	Packing Add. (Bottom)
S7	SSAKAA009WJZZ	-	N	-	Polyethylene Bag
S8	SSAKAA111WJZZ	-	N	-	Polyethylene Bag, x2
S10	SSAKKA008WJZZ	-	N	-	Polyethylene Bag
S11	TLABM5584BMZZ	-	N	-	Case No. Label

[7] PACKING PARTS (NOT REPLACEMENT ITEM) (LC-46LE810E/LX810E)



NO.	PARTS CODE	PRICE RANK	NEW MARK	PART DELIVERY	DESCRIPTION
[7] PACKING PARTS (NOT REPLACEMENT ITEM) (LC-46LE810E/LX810E)					
S1	SPAKCF675WJZZ	-	N	-	Packing Case (Top) (LC-46LE810E)
S1	SPAKCF754WJZZ	-	N	-	Packing Case (Top) (LC-46LX810E)
S2	SPAKCF496WJZZ	-	N	-	Packing Case (Bottom)
S3	SPAKPB477WJZZ	-	N	-	Wrapping Paper
S4	SPAKPB527WJZZ	-	N	-	Wrapping Paper, x2
S5	SPAKPB529WJZZ	-	N	-	Wrapping Paper (LC-46LE810E)
S5	SPAKPB562WJZZ	-	N	-	Wrapping Paper (LC-46LX810E)
S6	SPAKXC921WJZZ	-	N	-	Packing Add. (Top)
S7	SPAKXC926WJZZ	-	N	-	Packing Add. (Bottom)
S8	SSAKAA009WJZZ	-	N	-	Polyethylene Bag
S9	SSAKAA111WJZZ	-	N	-	Polyethylene Bag, x2
S11	SSAKKA008WJZZ	-	N	-	Polyethylene Bag
S12	TLABM5584BMZZ	-	N	-	Case No. Label
[8] SERVICE JIGS (USE FOR SERVICING)					
N	QCNW-G616WJQZ	BK		J	Main Unit to LCD Control Unit (LW)
N	QCNW-G625WJQZ	AP		J	Main Unit to Power Unit (PL)
N	QCNW-H184WJQZ	AX		J	Main Unit to Power Unit (PD)
N	QCNW-H185WJQZ	AV		J	Main Unit to Power (LED Drive) Unit (LB)
N	QCNW-K594WJQZ		N	J	Main Unit to R/C, LED Unit (RA)
N	QCNW-K595WJQZ		N	J	Main Unit to Speaker (SP)
N	QCNW-K597WJQZ		N	J	Main Unit to Woofer (SB)

SHARP

COPYRIGHT © 2010 BY SHARP CORPORATION

ALL RIGHTS RESERVED.

No Part of this publication may be reproduced, stored in a retrieval system, or transmitted in any form or by any means, electronic, mechanical, photocopying, recording, or otherwise, without prior written permission of the publisher.