

PARTS LISTING

REPLACEMENT PARTS

Replacement parts which have special safety characteristics are identified in this manual. Electrical components having such features are identified by Δ in the Replacement Parts Listing.

The use of a substitute replacement part which does not have the same safety characteristics as the factory recommended is not permitted.

Replacement parts not shown in this service manual may create shock fire, or other hazards.

HOW TO ORDER REPLACEMENT PARTS

To have your order completed promptly and correctly please supply the following information.

- | | |
|-----------------|----------------|
| 1. MODEL NUMBER | 2. REF. NO. |
| 3. PART NO. | 4. DESCRIPTION |
| 5. CODE | 6. QUANTITY |

MARK *SPARE PARTS DELIVERY SECTION

REF No.	PARTS	DESCRIPTION	* SN CODE	EX CODE
LCD PANEL				
NOTE : THE PARTS HERE SHOWN ARE SUPPLIED AS AN ASSEMBLY BUT NOT INDEPENDENTLY				
	R1LK315T3LZ4BZ32V	LCD Panel Module Unit (LC-32GA9E)	R	
	R1LK370T3LZ5BX37V	LCD Panel Module Unit (LC-37GA9E)	R	
PRINTED WIRING BOARDS				
	DUNTKD603FM04MAIN	Unit	R	
	DUNTKD604FM04AV	Unit	R	
	DUNTKD605FM01POWER	Unit (LC-32GA9E)	R	
	DUNTKD605FM03POWER	Unit (LC-37GA9E)	R	
	DUNTKD606FMV0KEY	Unit	R	
	DUNTKD607FMV0R/C	LED Unit	R	
	CKTKD608FM02TUNER	PWB + TUNER	SASBD	
DUNTKD603FM04 MAIN Unit				
INTEGRATED CIRCUITS				
	IC1701VHIBU4239G+1YBU4239G-TR		R	
	IC1702VHIPQ20WZ11-1YPQ20WZ1U		RAFAF	
	IC1703VHIPQ20WZ11-1YPQ20WZ1U		RAFAF	
	IC1706VHIMP1410ES-1YMP1410ES-LF-Z		RAPAP	
	IC1707VHIPQ20WZ11-1YPQ20WZ1U		RAFAF	
	IC1708VHIMP1410ES-1YMP1410ES-LF-Z		RAPAP	
	IC1710RHIXB716WJZZQI.C.		R	
	IC1901VHIS24LC2BINDES24LC02B-I/5N		R	
	IC1905VHSI9021+1QSI9021CTU		RBCBC	
	IC2301VHISL83220-1YISL83220ECVZ		RAQAQ	
	IC2303RHIXB731WJZZSBR24C21F-E2		R	
	IC2701VHTVHC153T-1YTC74VHC153FT		RAEAE	
	IC2702VHIMM1507XN-1YMM1507XNRE		RADAD	
	IC2704VHICD4052BP-1YCD4052BPWR		RADAD	
	IC3001VHIBR24L64F-1YBR24L64F-WE2		RAKAK	
	IC3002RHIXB624WJZZQI.C.		R	
	IC3003RHIXB664WJZZYI.C.		R	
	IC3005VHIBU4215G+1YBU4215G-TR		R	
	IC3301RHIXB064WJN1QIC FRQ9429 MQFP144-4		R	
TRANSISTORS				
	IC1704VSSSM6J51TU-1YSSM6J51TU		R	
	IC1705VSSSM6J51TU-1YSSM6J51TU		R	
	Q1701VS2SC3928AR-1Y2SC3928AR		RABAB	
	Q1702VS2SA1530ARS1Y2SA1530ARS		RACAC	
	Q1703VS2SC3928AR-1Y2SC3928AR		RABAB	
	Q1704VS2SC3928AR-1Y2SC3928AR		RABAB	
	Q1901VS2SK536///-1Y2SK536		RAEAE	
	Q1903VS2SK536///-1Y2SK536		RAEAE	
	Q1905VSDTC144EE-1YDTC144EE		RAAAA	
	Q1907VSDTC144EE-1YDTC144EE		RAAAA	

REF No.	PARTS	DESCRIPTION	* SN CODE	EX CODE
	Q1909VSDTC144EE-1YDTC144EE		RAAAA	
	Q2701VS3LN01S///-1Y3LN01S		RACAC	
	Q2702VS3LN01S///-1Y3LN01S		RACAC	
	Q2703VS2SC3928AR-1Y2SC3928AR		RABAB	
	Q2704VS2SC3928AR-1Y2SC3928AR		RABAB	
	Q2705VS2SC3928AR-1Y2SC3928AR		RABAB	
	Q2706VS2SC3928AR-1Y2SC3928AR		RABAB	
	Q2707VSDTC144EE-1YDTC144EE		RAAAA	
	Q2708VSDTC144EE-1YDTC144EE		RAAAA	
	Q3003VS3LN01S///-1Y3LN01S		RACAC	
	Q3004VS3LN01S///-1Y3LN01S		RACAC	
DIODES				
	D1701RHIX1232CEZZYZener	Diode, 3.3V	RABAB	
	D1702RHIX0487CEZZYZener	Diode, 2.0V	RACAC	
	D1703VHDHSU119///-1YHSU119		RABAB	
	D1704VHDSFPA73//2EYSFPA73		RADAD	
	D1705VHDHSU119///-1YHSU119		RABAB	
	D1706VHDHSU119///-1YHSU119		RABAB	
	D1707RHIX0487CEZZYZener	Diode, 2.0V	RACAC	
	D1708VHDSFPA73//2EYSFPA73		RADAD	
	D1901VHDAN202KI-1YDAN202K		RABAB	
	D1903VHD1SS355//1Y1SS355		RABAB	
	D1905VHD1SS355//1Y1SS355		RABAB	
	D2301RHIX1271CEZZYZener	Diode, 12V	RABAB	
	D2302RHIX1271CEZZYZener	Diode, 12V	RABAB	
	D2303RHIX1271CEZZYZener	Diode, 12V	RABAB	
	D2304RHIX1271CEZZYZener	Diode, 12V	RABAB	
	D2305RHIX1247CEZZYZener	Diode, 5.6V	RABAB	
	D2306RHIX1247CEZZYZener	Diode, 5.6V	RABAB	
	D2307RHIX1247CEZZYZener	Diode, 5.6V	RABAB	
	D2308RHIX1247CEZZYZener	Diode, 5.6V	RABAB	
	D2309VHDAN202KI-1YDAN202K		RABAB	
	D2310VHD1SS226//1Y1SS226		RACAC	
	D2311VHD1SS226//1Y1SS226		RACAC	
	D2312VHD1SS226//1Y1SS226		RACAC	
	D2313RHIX1247CEZZYZener	Diode, 5.6V	RABAB	
PACKAGED CIRCUITS				
	TH3002VHMM1103J03-1YThermistor		RACAC	
	X1901RCRSCA108WJZZY	Crystal, 28.322MHz	RAFAF	
	X3001RCRSC0012CEZZYZ	Crystal, 20.25MHz	RAHAH	
COILS AND FILTERS				
	FL2301RFLN0003TAZZY	Filter	RADAD	
	FL2302RFLN0003TAZZY	Filter	RADAD	
	FL2303RFLN0003TAZZY	Filter	RADAD	
	L1701RCILPA213WJZZY	Coil, 15uH	RAGAG	
	L1702RCILPA213WJZZY	Coil, 15uH	RAGAG	
	L1901RCILFA134WJZZY	Coil	RAFAF	
	L1902RCILFA134WJZZY	Coil	RAFAF	
	L1903RCILFA134WJZZY	Coil	RAFAF	
	L1904RCILFA134WJZZY	Coil	RAFAF	
	L2301RCILFA071WJZZY	Coil	RADAD	
	L2302RCILFA071WJZZY	Coil	RADAD	
	L2303RCILFA071WJZZY	Coil	RADAD	
	L2304RCILFA071WJZZY	Coil	RADAD	
	L2305RCILFA071WJZZY	Coil	RADAD	
CAPACITORS				
	C1702VCKYCY1EF104ZY	Ceramic 0.1 25V	RAAAA	
	C1706RC-KZA070WJZZY	Ceramic 22 6.3V	RADAD	
	C1715VCEASX1VN226MY	Electrolytic 22 35V	RACAC	
	C1716VCEASX1CN226MY	Electrolytic 22 16V	RACAC	
	C1717VCKYCY1HB272KY	Ceramic 2700p 50V	RAAAA	
	C1718VCKYCY1EF104ZY	Ceramic 0.1 25V	RAAAA	
	C1720VCEASX1CN226MY	Electrolytic 22 16V	RACAC	

REF No.PARTS	DESCRIPTION	* SN CODE	EX CODE
DUNTKD603FM04			
MAIN Unit (Continued)			
C1721VCAAPD1AJ686MYE	Electrolytic 68 10V	RAEAE	
C1723RC-KZA073WJZZY	Ceramic 10 16V	RADAD	
C1724RC-KZA073WJZZY	Ceramic 10 16V	RADAD	
C1726RC-KZA070WJZZY	Ceramic 22 6.3V	RADAD	
C1730VCKYCY1HB272KY	Ceramic 270p 50V	RAAAA	
C1733VCEASX1CN226MYE	Electrolytic 22 16V	RACAC	
C1734VCKYCY1EF104ZY	Ceramic 0.1 25V	RAAAA	
C1735VCAAPD1AJ686MYE	Electrolytic 68 10V	RAEAE	
C1737RC-KZA073WJZZY	Ceramic 10 16V	RADAD	
C1738RC-KZA073WJZZY	Ceramic 10 16V	RADAD	
C1739VCKYCY1EF104ZY	Ceramic 0.1 25V	RAAAA	
C1740VCKYCY1EF104ZY	Ceramic 0.1 25V	RAAAA	
C1741VCKYCY1EF104ZY	Ceramic 0.1 25V	RAAAA	
C1742VCKYCY1EF104ZY	Ceramic 0.1 25V	RAAAA	
C1744VCCCCY1HH101JY	Ceramic 100p 50V	RAAAA	
C1745VCCCY1HH101JY	Ceramic 100p 50V	RAAAA	
C1903VCKYCY1EF104ZY	Ceramic 0.1 25V	RAAAA	
C1910RC-KZA073WJZZY	Ceramic 10 16V	RADAD	
C1912VCKYCY1HB102KY	Ceramic 1000p 50V	RAAAA	
C1913VCKYCY1HB102KY	Ceramic 1000p 50V	RAAAA	
C1916VCKYCY1HB102KY	Ceramic 1000p 50V	RAAAA	
C1917VCKYCY1HB102KY	Ceramic 1000p 50V	RAAAA	
C1918RC-KZA073WJZZY	Ceramic 10 16V	RADAD	
C1919RC-KZA073WJZZY	Ceramic 10 16V	RADAD	
C1921RC-KZA073WJZZY	Ceramic 10 16V	RADAD	
C1923VCKYCY1HB102KY	Ceramic 1000p 50V	RAAAA	
C1924VCKYCY1HB102KY	Ceramic 1000p 50V	RAAAA	
C1927VCKYCY1HB102KY	Ceramic 1000p 50V	RAAAA	
C1928VCKYCY1HB103KY	Ceramic 0.01 50V	RAAAA	
C1929VCCCCY1HH120JY	Ceramic 12p 50V	RAAAA	
C1930VCKYCY1HB102KY	Ceramic 1000p 50V	RAAAA	
C1931RC-KZA073WJZZY	Ceramic 10 16V	RADAD	
C1934VCCCCY1HH120JY	Ceramic 12p 50V	RAAAA	
C1935RC-KZA073WJZZY	Ceramic 10 16V	RADAD	
C1936VCKYCY1HB102KY	Ceramic 1000p 50V	RAAAA	
C1941VCKYCY1HB102KY	Ceramic 1000p 50V	RAAAA	
C1943VCKYCY1HB102KY	Ceramic 1000p 50V	RAAAA	
C1946VCKYCY1HB102KY	Ceramic 1000p 50V	RAAAA	
C1947VCKYCY1EF104ZY	Ceramic 0.1 25V	RAAAA	
C1948VCKYCY1HB102KY	Ceramic 1000p 50V	RAAAA	
C1953VCKYCY1EF104ZY	Ceramic 0.1 25V	RAAAA	
C1955VCKYCY1HB102KY	Ceramic 1000p 50V	RAAAA	
C1956VCKYCY1HB102KY	Ceramic 1000p 50V	RAAAA	
C1959VCKYCY1EF104ZY	Ceramic 0.1 25V	RAAAA	
C1960VCKYCY1HB102KY	Ceramic 1000p 50V	RAAAA	
C1965VCKYCY1HB102KY	Ceramic 1000p 50V	RAAAA	
C1967VCKYCY1HB102KY	Ceramic 1000p 50V	RAAAA	
C1968VCKYCY1HB102KY	Ceramic 1000p 50V	RAAAA	
C1969VCKYCY1HB102KY	Ceramic 1000p 50V	RAAAA	
C1971VCKYCY1HB102KY	Ceramic 1000p 50V	RAAAA	
C1973VCKYCY1HB102KY	Ceramic 1000p 50V	RAAAA	
C1974VCKYCY1HB102KY	Ceramic 1000p 50V	RAAAA	
C1975VCKYCY1HB102KY	Ceramic 1000p 50V	RAAAA	
C2301VCKYCY1EF104ZY	Ceramic 0.1 25V	RAAAA	
C2302VCKYCY1EF104ZY	Ceramic 0.1 25V	RAAAA	
C2303VCKYCY1EF104ZY	Ceramic 0.1 25V	RAAAA	
C2304VCKYCY1EF104ZY	Ceramic 0.1 25V	RAAAA	
C2305VCKYCY1EF104ZY	Ceramic 0.1 25V	RAAAA	
C2306VCEASX1CN106MYE	Electrolytic 10 16V	RACAC	
C2307VCKYCY1EF104ZY	Ceramic 0.1 25V	RAAAA	
C2308VCKYCY1HB104KY	Ceramic 0.1 50V	RAAAA	
C2309VCKYCY1HB104KY	Ceramic 0.1 50V	RAAAA	
C2310VCKYCY1HB104KY	Ceramic 0.1 50V	RAAAA	
C2311RC-KZA214WJZZY	Ceramic 22 6.3V	RADAD	

REF No.PARTS	DESCRIPTION	* SN CODE	EX CODE
C2312VCKYCY1EF104ZY	Ceramic 0.1 25V	RAAAA	
C2313RC-KZA214WJZZY	Ceramic 22 6.3V	RADAD	
C2701VCKYCY1EF104ZY	Ceramic 0.1 25V	RAAAA	
C2702VCCCCY1HH101JY	Ceramic 100p 50V	RAAAA	
C2703VCCCCY1HH101JY	Ceramic 100p 50V	RAAAA	
C2704VCCCCY1HH101JY	Ceramic 100p 50V	RAAAA	
C2705VCCCCY1HH101JY	Ceramic 100p 50V	RAAAA	
C2706VCEASX1HN105MYE	Electrolytic 1 50V	RABAB	
C2707VCEASX1HN105MYE	Electrolytic 1 50V	RABAB	
C2708VCEASX1HN105MYE	Electrolytic 1 50V	RABAB	
C2709VCEASX1HN105MYE	Electrolytic 1 50V	RABAB	
C2710VCKYCY1EB104KY	Ceramic 0.1 25V	RABAB	
C2712VCKYCY1EF104ZY	Ceramic 0.1 25V	RAAAA	
C2714VCEASX1CN106MYE	Electrolytic 10 16V	RACAC	
C2715VCKYCY1EF104ZY	Ceramic 0.1 25V	RAAAA	
C2718VCKYCY1CF105ZY	Ceramic 1 16V	RAAAA	
C2719VCKYCY1CF105ZY	Ceramic 1 16V	RAAAA	
C2722VCKYCY1EF104ZY	Ceramic 0.1 25V	RAAAA	
C2723VCKYCY1EF104ZY	Ceramic 0.1 25V	RAAAA	
C2724VCKYCY1EF104ZY	Ceramic 0.1 25V	RAAAA	
C2725VCKYCY1HB221KY	Ceramic 220p 50V	RAAAA	
C2726VCKYCY1EB104KY	Ceramic 0.1 25V	RABAB	
C2729VCKYCY1HB104KY	Ceramic 0.1 50V	RAAAA	
C3001VCKYCY1EF104ZY	Ceramic 0.1 25V	RAAAA	
C3002RC-KZA073WJZZY	Ceramic 10 16V	RADAD	
C3003VCKYCY1EF104ZY	Ceramic 0.1 25V	RAAAA	
C3004RC-KZA073WJZZY	Ceramic 10 16V	RADAD	
C3005RC-KZA073WJZZY	Ceramic 10 16V	RADAD	
C3006RC-KZA073WJZZY	Ceramic 10 16V	RADAD	
C3007VCKYCY1EF104ZY	Ceramic 0.1 25V	RAAAA	
C3008VCKYCY1EF104ZY	Ceramic 0.1 25V	RAAAA	
C3009VCKYCY1EF104ZY	Ceramic 0.1 25V	RAAAA	
C3010RC-KZA073WJZZY	Ceramic 10 16V	RADAD	
C3011VCKYCY1EF104ZY	Ceramic 0.1 25V	RAAAA	
C3012VCKYCY1EF104ZY	Ceramic 0.1 25V	RAAAA	
C3013VCKYCY1EF104ZY	Ceramic 0.1 25V	RAAAA	
C3014VCKYCY1HB104KY	Ceramic 0.1 50V	RAAAA	
C3015VCKYCY1EF104ZY	Ceramic 0.1 25V	RAAAA	
C3016VCKYCY1HB104KY	Ceramic 0.1 50V	RAAAA	
C3017RC-KZA073WJZZY	Ceramic 10 16V	RADAD	
C3018VCKYCY1EF104ZY	Ceramic 0.1 25V	RAAAA	
C3019VCKYCY1EF104ZY	Ceramic 0.1 25V	RAAAA	
C3020VCKYCY1HB104KY	Ceramic 0.1 50V	RAAAA	
C3021VCCCCY1HH560JY	Ceramic 56p 50V	RABAB	
C3022RC-KZA073WJZZY	Ceramic 10 16V	RADAD	
C3023VCKYCY1EF104ZY	Ceramic 0.1 25V	RAAAA	
C3024VCKYCY1EF104ZY	Ceramic 0.1 25V	RAAAA	
C3025VCKYCY1EF104ZY	Ceramic 0.1 25V	RAAAA	
C3027RC-KZA073WJZZY	Ceramic 10 16V	RADAD	
C3028VCKYCY1EF104ZY	Ceramic 0.1 25V	RAAAA	
C3029RC-KZA073WJZZY	Ceramic 10 16V	RADAD	
C3030VCKYCY1EF104ZY	Ceramic 0.1 25V	RAAAA	
C3031RC-KZA073WJZZY	Ceramic 10 16V	RADAD	
C3032VCKYCY1EF104ZY	Ceramic 0.1 25V	RAAAA	
C3033VCKYCY1EF104ZY	Ceramic 0.1 25V	RAAAA	
C3034VCCCCY1HH220JY	Ceramic 22p 50V	RAAAA	
C3035RC-KZA073WJZZY	Ceramic 10 16V	RADAD	
C3036RC-KZA073WJZZY	Ceramic 10 16V	RADAD	
C3037VCKYCY1EF104ZY	Ceramic 0.1 25V	RAAAA	
C3038VCKYCY1EF104ZY	Ceramic 0.1 25V	RAAAA	
C3039VCCCCY1HH220JY	Ceramic 22p 50V	RAAAA	
C3040RC-KZA073WJZZY	Ceramic 10 16V	RADAD	
C3041RC-KZA073WJZZY	Ceramic 10 16V	RADAD	
C3042VCKYCY1EF104ZY	Ceramic 0.1 25V	RAAAA	
C3044VCKYCY1HB103KY	Ceramic 0.01 50V	RAAAA	
C3045VCKYCY1HB103KY	Ceramic 0.01 50V	RAAAA	
C3046VCEAEA1CW106MELEC	C 10UF 20% 16V	R	

REF No.PARTS	DESCRIPTION	* SN CODE	EX CODE	REF No.PARTS	DESCRIPTION	* SN CODE	EX CODE
DUNTKD603FM04				R1914VR\$-CJ1JF100JYMetal Oxide 10 1/16W		RAAAA	
MAIN Unit (Continued)				R1917VR\$-CY1JF103JYMetal Oxide 10k 1/16W		RAAAA	
C3338VC\$EASX0JN476MYElectrolytic 47 6.3V		RACAC		R1919VR\$-CY1JF100JYMetal Oxide 10 1/16W		RAAAA	
C3340VC\$EASX0JN476MYElectrolytic 47 6.3V		RACAC		R1920VR\$-CH1JF100JYMetal Oxide 10 1/16W		RAAAA	
RESISTORS				R1921VR\$-CH1JF100JYMetal Oxide 10 1/16W		RAAAA	
R1701VR\$-CY1JF562JYMetal Oxide 5.6k 1/16W		RAAAA		R1922VR\$-CH1JF100JYMetal Oxide 10 1/16W		RAAAA	
R1702VR\$-CY1JF103JYMetal Oxide 10k 1/16W		RAAAA		R1923VR\$-CH1JF100JYMetal Oxide 10 1/16W		RAAAA	
R1703VR\$-TW2ED561JYMetal Oxide 560 1/4W		RAAAA		R1924VR\$-CH1JF100JYMetal Oxide 10 1/16W		RAAAA	
R1704VR\$-CY1JF000JYMetal Oxide 0 1/16W		RAAAA		R1925VR\$-CH1JF100JYMetal Oxide 10 1/16W		RAAAA	
R1705VR\$-CY1JF000JYMetal Oxide 0 1/16W		RAAAA		R1926VR\$-CY1JF472JYMetal Oxide 4.7k 1/16W		RAAAA	
R1706VR\$-CY1JF333JYMetal Oxide 33k 1/16W		RAAAA		R1927VR\$-CH1JF100JYMetal Oxide 10 1/16W		RAAAA	
R1707VR\$-CY1JF000JYMetal Oxide 0 1/16W		RAAAA		R1928VR\$-CY1JF223JYMetal Oxide 22k 1/16W		RAAAA	
R1709VR\$-CY1JF103JYMetal Oxide 10k 1/16W		RAAAA		R1929VR\$-CY1JF472JYMetal Oxide 4.7k 1/16W		RAAAA	
R1713VR\$-CY1JF562JYMetal Oxide 5.6k 1/16W		RAAAA		R1930VR\$-CY1JF910FYMetal Oxide 91 1/16W		RAAAA	
R1714VR\$-CY1JF000JYMetal Oxide 0 1/16W		RAAAA		R1931VR\$-CY1JF910FYMetal Oxide 91 1/16W		RAAAA	
R1715VR\$-CY1JF470JYMetal Oxide 47 1/16W		RAAAA		R1932VR\$-CY1JF105JYMetal Oxide 1M 1/16W		RAAAA	
R1716VR\$-CY1JF562JYMetal Oxide 5.6k 1/16W		RAAAA		R1933VR\$-CY1JF152JYMetal Oxide 1.5k 1/16W		RAAAA	
R1717VR\$-CY1JF470JYMetal Oxide 47 1/16W		RAAAA		R1934VR\$-CJ1JF101JYMetal Oxide 100 1/16W		RAAAA	
R1718VR\$-CY1JF470JYMetal Oxide 47 1/16W		RAAAA		R1935VR\$-CY1JF330JYMetal Oxide 33 1/16W		RAAAA	
R1719VR\$-CY1JF622FYMetal Oxide 6.2k 1/16W		RAAAA		R1936VR\$-CY1JF330JYMetal Oxide 33 1/16W		RAAAA	
R1720VR\$-CY1JF103JYMetal Oxide 10k 1/16W		RAAAA		R1937VR\$-CY1JF103JYMetal Oxide 10k 1/16W		RAAAA	
R1721VR\$-CY1JF562FYMetal Oxide 5.6k 1/16W		RAAAA		R2301VR\$-CY1JF000JYMetal Oxide 0 1/16W		RAAAA	
R1722VR\$-CY1JF103JYMetal Oxide 10k 1/16W		RAAAA		R2302VR\$-CH1JF103JYMetal Oxide 10k 1/16W		RAAAA	
R1723VR\$-CY1JF622FYMetal Oxide 6.2k 1/16W		RAAAA		R2305VR\$-CH1JF103JYMetal Oxide 10k 1/16W		RAAAA	
R1724VR\$-CY1JF101JYMetal Oxide 100 1/16W		RAAAA		R2307VR\$-CJ1JF101JYMetal Oxide 100 1/16W		RAAAA	
R1726VR\$-CY1JF511FYMetal Oxide 510 1/16W		RAAAA		R2309VR\$-CY1JF472JYMetal Oxide 4.7k 1/16W		RAAAA	
R1727VR\$-CY1JF332JYMetal Oxide 3.3k 1/16W		RAAAA		R2313VR\$-CY1JF100JYMetal Oxide 10 1/16W		RAAAA	
R1728VR\$-CY1JF332JYMetal Oxide 3.3k 1/16W		RAAAA		R2314VR\$-CY1JF103JYMetal Oxide 10k 1/16W		RAAAA	
R1729VR\$-CY1JF202FYMetal Oxide 2k 1/16W		RAAAA		R2315VR\$-CJ1JF101JYMetal Oxide 100 1/16W		RAAAA	
R1730VR\$-CY1JF470JYMetal Oxide 47 1/16W		RAAAA		R2321VR\$-CY1JF000JYMetal Oxide 0 1/16W		RAAAA	
R1731VR\$-CY1JF102JYMetal Oxide 1k 1/16W		RAAAA		R2322VR\$-TW2ED750JYMetal Oxide 75 1/4W		RAAAA	
R1732VR\$-CY1JF202FYMetal Oxide 2k 1/16W		RAAAA		R2324VR\$-TW2ED750JYMetal Oxide 75 1/4W		RAAAA	
R1733VR\$-CY1JF101JYMetal Oxide 100 1/16W		RAAAA		R2325VR\$-TW2ED750JYMetal Oxide 75 1/4W		RAAAA	
R1734VR\$-CY1JF222FYMetal Oxide 2.2k 1/16W		RAAAA		R2326VR\$-CY1JF102JYMetal Oxide 1k 1/16W		RAAAA	
R1735VR\$-CY1JF202FYMetal Oxide 2k 1/16W		RAAAA		R2329VR\$-CY1JF103JYMetal Oxide 10k 1/16W		RAAAA	
R1736VR\$-CY1JF102JYMetal Oxide 1k 1/16W		RAAAA		R2332VR\$-CY1JF473JYMetal Oxide 47k 1/16W		RAAAA	
R1737VR\$-CY1JF562JYMetal Oxide 5.6k 1/16W		RAAAA		R2333VR\$-CH1JF101JYMetal Oxide 100 1/16W		RAAAA	
R1739VR\$-TW2HF1R0JYMetal Oxide 1 1/2W		RAAAA		R2334VR\$-CY1JF103FYMetal Oxide 10k 1/16W		RAAAA	
R1740VR\$-TW2HF1R0JYMetal Oxide 1 1/2W		RAAAA		R2335VR\$-CY1JF102JYMetal Oxide 1k 1/16W		RAAAA	
R1741VR\$-TW2HF1R0JYMetal Oxide 1 1/2W		RAAAA		R2339VR\$-CY1JF102FYMetal Oxide 1k 1/16W		RAAAA	
R1742VR\$-TW2HF1R0JYMetal Oxide 1 1/2W		RAAAA		R2341VR\$-CY1JF393FYMetal Oxide 39k 1/16W		RAAAA	
R1743VR\$-CY1JF101JYMetal Oxide 100 1/16W		RAAAA		R2342VR\$-CJ1JF103JYMetal Oxide 10k 1/16W		RAAAA	
R1744VR\$-CY1JF562FYMetal Oxide 5.6k 1/16W		RAAAA		R2343VR\$-CY1JF102FYMetal Oxide 1k 1/16W		RAAAA	
R1745VR\$-CY1JF132JYMetal Oxide 1.3k 1/16W		RAGAG		R2702VR\$-CJ1JF101JYMetal Oxide 100 1/16W		RAAAA	
R1746VR\$-CY1JF202JYMetal Oxide 2k 1/16W		RAAAA		R2703VR\$-CJ1JF473JYMetal Oxide 47k 1/16W		RABAB	
R1747VR\$-CY1JF511FYMetal Oxide 510 1/16W		RAAAA		R2704VR\$-CJ1JF103JYMetal Oxide 10k 1/16W		RAAAA	
R1748VR\$-CY1JF202FYMetal Oxide 2k 1/16W		RAAAA		R2706VR\$-CJ1JF224JYMetal Oxide 220k 1/16W		R	
R1752VR\$-CY1JF470JYMetal Oxide 47 1/16W		RAAAA		R2707VR\$-CJ1JF224JYMetal Oxide 220k 1/16W		R	
R1753VR\$-CY1JF622FYMetal Oxide 6.2k 1/16W		RAAAA		R2708VR\$-CH1JF104JYMetal Oxide 100k 1/16W		RAAAA	
R1754VR\$-CY1JF622FYMetal Oxide 6.2k 1/16W		RAAAA		R2709VR\$-CH1JF104JYMetal Oxide 100k 1/16W		RAAAA	
R1755VR\$-CY1JF562JYMetal Oxide 5.6k 1/16W		RAAAA		R2710VR\$-CJ1JF103JYMetal Oxide 10k 1/16W		RAAAA	
R1757VR\$-TW2HF1R0JYMetal Oxide 1 1/2W		RAAAA		R2711VR\$-CJ1JF103JYMetal Oxide 10k 1/16W		RAAAA	
R1758VR\$-TW2HF1R0JYMetal Oxide 1 1/2W		RAAAA		R2712VR\$-CJ1JF472JYMetal Oxide 4.7k 1/16W		RAAAA	
R1759VR\$-TW2HF1R0JYMetal Oxide 1 1/2W		RAAAA		R2713VR\$-CJ1JF472JYMetal Oxide 4.7k 1/16W		RAAAA	
R1760VR\$-TW2HF1R0JYMetal Oxide 1 1/2W		RAAAA		R2714VR\$-CY1JF101JYMetal Oxide 100 1/16W		RAAAA	
R1761VR\$-CY1JF101JYMetal Oxide 100 1/16W		RAAAA		R2716VR\$-CJ1JF103JYMetal Oxide 10k 1/16W		RAAAA	
R1762VR\$-CY1JF220JYMetal Oxide 22 1/16W		RAAAA		R2718VR\$-CY1JF000JYMetal Oxide 0 1/16W		RAAAA	
R1763VR\$-CY1JF220JYMetal Oxide 22 1/16W		RAAAA		R2722VR\$-CY1JF000JYMetal Oxide 0 1/16W		RAAAA	
R1764VR\$-CY1JF220JYMetal Oxide 22 1/16W		RAAAA		R3002VR\$-CY1JF220JYMetal Oxide 22 1/16W		RAAAA	
R1901VR\$-CY1JF272JYMetal Oxide 2.7k 1/16W		RAAAA		R3003VR\$-CY1JF103JYMetal Oxide 10k 1/16W		RAAAA	
R1903VR\$-CY1JF152JYMetal Oxide 1.5k 1/16W		RAAAA		R3004VR\$-CJ1JF101JYMetal Oxide 100 1/16W		RAAAA	
R1906VR\$-CY1JF473JYMetal Oxide 47k 1/16W		RAAAA		R3005VR\$-CJ1JF472JYMetal Oxide 4.7k 1/16W		RAAAA	
R1908VR\$-CY1JF103JYMetal Oxide 10k 1/16W		RAAAA		R3006VR\$-CY1JF472JYMetal Oxide 4.7k 1/16W		RAAAA	
R1911VR\$-CJ1JF474JYMetal Oxide 470k 1/16W		R		R3007VR\$-CY1JF622JYMetal Oxide 6.2k 1/16W		RAAAA	
R1913VR\$-CJ1JF473JYMetal Oxide 47k 1/16W		RABAB		R3008VR\$-CJ1JF472JYMetal Oxide 4.7k 1/16W		RAAAA	
				R3009VR\$-CJ1JF101JYMetal Oxide 100 1/16W		RAAAA	

REF No.PARTS	DESCRIPTION	* SN CODE	EX CODE
DUNTKD603FM04			
MAIN Unit (Continued)			
R3010VRS-CY1JF472JYMetal Oxide 4.7k 1/16W		RAAAA	
R3012VRS-CY1JF103JYMetal Oxide 10k 1/16W		RAAAA	
R3013VRS-CY1JF103JYMetal Oxide 10k 1/16W		RAAAA	
R3306VRS-CY1JF220JYMetal Oxide 22 1/16W		RAAAA	
R3307VRS-CY1JF220JYMetal Oxide 22 1/16W		RAAAA	
R3308VRS-CY1JF220JYMetal Oxide 22 1/16W		RAAAA	
RJ3017VRS-CY1JF472JYMetal Oxide 4.7k 1/16W		RAAAA	
MISCELLANEOUS PARTS			
FB1701RBLN-0250TAZZYFerrite Beads		RACAC	
FB1702RBLN-0250TAZZYFerrite Beads		RACAC	
FB1901RBLN-0060TAZZYFerrite Beads		RABAB	
FB1903RBLN-0060TAZZYFerrite Beads		RABAB	
FB1904RBLN-0060TAZZYFerrite Beads		RABAB	
FB1905RBLN-0060TAZZYFerrite Beads		RABAB	
FB1906RBLN-0060TAZZYFerrite Beads		RABAB	
FB1907RBLN-0210TAZZYFerrite Beads		RABAB	
FB1908RBLN-0060TAZZYFerrite Beads		RABAB	
FB1909RBLN-0210TAZZYFerrite Beads		RABAB	
FB2301RBLN-0061TAZZYFerrite Beads		RADAD	
FB2302RBLN-0061TAZZYFerrite Beads		RADAD	
FB2303RBLN-0210TAZZYFerrite Beads		RABAB	
FB2304RBLN-0210TAZZYFerrite Beads		RABAB	
FB2305RBLN-0061TAZZYFerrite Beads		RADAD	
FB2306RBLN-0061TAZZYFerrite Beads		RADAD	
FB2307RBLN-0061TAZZYFerrite Beads		RADAD	
FB2308RBLN-0061TAZZYFerrite Beads		RADAD	
FB2309RBLN-0061TAZZYFerrite Beads		RADAD	
FB2310RBLN-0210TAZZYFerrite Beads		RABAB	
FB2701RBLN-0254TAZZYFerrite Beads		RABAB	
FB2702RBLN-0254TAZZYFerrite Beads		RABAB	
FB2703RBLN-0254TAZZYFerrite Beads		RABAB	
FB2704RBLN-0061TAZZYFerrite Beads		RADAD	
FB2705RBLN-0061TAZZYFerrite Beads		RADAD	
FB2706RBLN-0061TAZZYFerrite Beads		RADAD	
FB2707RBLN-0061TAZZYFerrite Beads		RADAD	
FB2708RBLN-0061TAZZYFerrite Beads		RADAD	
FB2709RBLN-0061TAZZYFerrite Beads		RADAD	
FB2710RBLN-0061TAZZYFerrite Beads		RADAD	
FB2711RBLN-0061TAZZYFerrite Beads		RADAD	
FB2712RBLN-0254TAZZYFerrite Beads		RABAB	
FB2715RBLN-0210TAZZYFerrite Beads		RABAB	
FB3001RBLN-0254TAZZYFerrite Beads		RABAB	
FB3002RBLN-0254TAZZYFerrite Beads		RABAB	
FB3003RBLN-0254TAZZYFerrite Beads		RABAB	
FB3004RBLN-0254TAZZYFerrite Beads		RABAB	
FB3005RBLN-0254TAZZYFerrite Beads		RABAB	
FB3006RBLN-0254TAZZYFerrite Beads		RABAB	
FB3007RBLN-0254TAZZYFerrite Beads		RABAB	
FB3008RBLN-0254TAZZYFerrite Beads		RABAB	
FB3009RBLN-0254TAZZYFerrite Beads		RABAB	
FB3010RBLN-0254TAZZYFerrite Beads		RABAB	
FB3011RBLN-0254TAZZYFerrite Beads		RABAB	
FB3012RBLN-0254TAZZYFerrite Beads		RABAB	
FB3013RBLN-0254TAZZYFerrite Beads		RABAB	
FB3014RBLN-0254TAZZYFerrite Beads		RABAB	
FB3015RBLN-0254TAZZYFerrite Beads		RABAB	
FB3016RBLN-0254TAZZYFerrite Beads		RABAB	
FB3307RBLN-0061TAZZYFerrite Beads		RADAD	
FB3308RBLN-0061TAZZYFerrite Beads		RADAD	
J2701QJAKEA073WJZZJack, 3pin (HDMI INPUT)		RADAD	
J2702QJAKEA073WJZZJack, 3pin (RGB input)		RADAD	
LUG1701QLUGHA006WJZZYLug		RACAC	
LUG1702QLUGHA006WJZZYLug		RACAC	

REF No.PARTS	DESCRIPTION	* SN CODE	EX CODE
LUG1703QLUGHA006WJZZYLug		RACAC	
LUG1704QLUGHA006WJZZYLug		RACAC	
LUG1705QLUGZA002WJZZYLug		RACAC	
LUG1706QLUGZA002WJZZYLug		RACAC	
LUG1707QLUGZA002WJZZYLug		RACAC	
LUG1708QLUGZA002WJZZYLug		RACAC	
LUG1709QLUGZA002WJZZYLug		RACAC	
P1701QPLGNA342WJZZYPlug, 8pin (LB)		RADAD	
P1702QPLGN1075TAZZYPlug		RADAD	
P2301QPLGNA341WJZZYPlug, 7pin (SH)		RADAD	
P2302QPLGNA337WJZZYPlug, 3pin (KM) (to KEY)		RACAC	
P2303QPLGNA344WJZZYPlug, 10pin (RA) (to LED/IR/OPC)		RADAD	
P2305QPLGNA493WJZZYPlug, 32pin (LV)		RAMAM	
P2306QPLGN0566FJZZYPlug, 3pin		RAEAE	
SC1701QCNCAWA251WJZZYConnector, 23pin (to POWER)		RAHAH	
SC1702QCNCAWA248WJZZYConnector, 9pin (to POWER)		RADAD	
SC1901QSOCZA117WJZZYSocket, 23pin		R	
SC2301QSOCDA036WJZZYSocket, 12pin		RAFAF	
SC2303QSOCNA229WJZZYSocket, 17pin		RAHAH	
SC2702QCNCAWA251WJZZYConnector, 23pin (to AV)		RAHAH	
SC2703QCNCAWA251WJZZYConnector, 23pin (to AV)		RAHAH	
SC2704QCNCAWA251WJZZYConnector, 23pin (to AV)		RAHAH	
SC2705QCNCAWA010WJZZYConnector, 15pin (to TUNER)		RAEAE	
PSLDMAR876WJFWShield		R	
DUNTKD604FM04			
AV Unit			
INTEGRATED CIRCUITS			
IC301VHITDA8931T-1Y1.C.		R	
IC302VHITDA8931T-1Y1.C.		R	
IC303VHINJM4558M-1YNNM1506XNRE		RADAD	
IC1101VHIMM1506XN-1YMM1506XNRE		RADAD	
IC1102VHIMM1506XN-1YMM1506XNRE		RADAD	
IC1201VHIMM1507XN-1YMM1507XNRE		RADAD	
TRANSISTORS			
Q301VS2SC3928AR-1Y2SC3928AR		RABAB	
Q302VS2SC3928AR-1Y2SC3928AR		RABAB	
Q303VSDTC314TK-1YDTC314TK		RACAC	
Q304VSDTC314TK-1YDTC314TK		RACAC	
Q305VS2SC3928AR-1Y2SC3928AR		RABAB	
Q306VS2SC3928AR-1Y2SC3928AR		RABAB	
Q307VS2SA1530AR-1Y2SA1530AR		RABAB	
Q1101VSDTC314TK-1YDTC314TK		RACAC	
Q1102VSDTC314TK-1YDTC314TK		RACAC	
Q1103VS2SA1530AR-1Y2SA1530AR		RABAB	
Q1104VS2SA1530AR-1Y2SA1530AR		RABAB	
Q1105VSDTC314TK-1YDTC314TK		RACAC	
Q1106VSDTC314TK-1YDTC314TK		RACAC	
Q1107VS2SA1530AR-1Y2SA1530AR		RABAB	
Q1108VS2SA1530AR-1Y2SA1530AR		RABAB	
Q1201VS2SA1530AR-1Y2SA1530AR		RABAB	
Q1202VS2SA1530AR-1Y2SA1530AR		RABAB	
Q1203VSDTC314TK-1YDTC314TK		RACAC	
Q1204VSDTC314TK-1YDTC314TK		RACAC	
DIODES			
D301RH-EXA092WJZZYZener Diode, 12V		RABAB	
D302RH-EXA092WJZZYZener Diode, 12V		RABAB	
D303RH-EXA092WJZZYZener Diode, 12V		RABAB	
D304RH-EXA092WJZZYZener Diode, 12V		RABAB	
D305RH-EXA089WJZZYZener Diode, 4.3V		RABAB	
D306VHD1SS390+-1Y1SS390		RABAB	
D307VHD1SS390+-1Y1SS390		RABAB	
D308VHD1SS390+-1Y1SS390		RABAB	
D309VHD1SS390+-1Y1SS390		RABAB	
D310VHD1SS390+-1Y1SS390		RABAB	

REF No.PARTS	DESCRIPTION	* SN CODE	EX CODE	REF No.PARTS	DESCRIPTION	* SN CODE	EX CODE
DUNTKD604FM04 AV Unit (Continued)							
D311RH-EXA103WJZZY	Zener Diode	R		C317VCCCY1HH330JY	Ceramic 33p 50V	R	AAAA
D312RH-EXA103WJZZY	Zener Diode	R		C318VCCCY1HH470JY	Ceramic 47p 50V	R	AAAA
D313RH-EX1393CEZZY	Zener Diode	R	BAB	C319VCCCY1HH470JY	Ceramic 47p 50V	R	AAAA
D314RH-EXA101WJZZY	Zener Diode	R	BAB	C320VCEASX1HN225MYE	Electrolytic 2.2 50V	R	BAB
D315RH-EXA101WJZZY	Zener Diode	R	BAB	C321VCEASX1HN225MYE	Electrolytic 2.2 50V	R	BAB
D316RH-EXA101WJZZY	Zener Diode	R	BAB	C322VCKYCY1HF224ZY	Ceramic 0.22 50V	R	AAAA
D317RH-EXA101WJZZY	Zener Diode	R	BAB	C323VCKYCY1HF224ZY	Ceramic 0.22 50V	R	AAAA
D1101RH-EXA094WJZZY	Zener Diode	R	BAB	C324VCEASX1HN106MYE	Electrolytic 10 50V	R	CAC
D1102RH-EXA088WJZZY	Zener Diode, 10V	R		C325VCEASX1HN106MYE	Electrolytic 10 50V	R	CAC
D1103RH-EXA088WJZZY	Zener Diode, 10V	R		C326VCKYCY1HB153KY	Ceramic 0.015 50V	R	AAAA
D1104RH-EXA094WJZZY	Zener Diode	R	BAB	C327VCKYCY1HB153KY	Ceramic 0.015 50V	R	AAAA
D1105RH-EXA093WJZZY	Zener Diode, 13V	R	BAB	C328VCEASX1HN225MYE	Electrolytic 2.2 50V	R	BAB
D1106RH-EX1393CEZZY	Zener Diode	R	BAB	C329VCEASX1HN225MYE	Electrolytic 2.2 50V	R	BAB
D1107RH-EX1393CEZZY	Zener Diode	R	BAB	C330VCEA0A1VW477M+	Electrolytic 470 35V	R	BAB
D1108RH-EXA093WJZZY	Zener Diode, 13V	R	BAB	C331VCEA0A1VW477M+	Electrolytic 470 35V	R	BAB
D1109RH-EX1398CEZZY	Zener Diode	R	BAB	C332VCKYCY1HB221KY	Ceramic 220p 50V	R	AAAA
D1110RH-EX1398CEZZY	Zener Diode	R	BAB	C333VCKYCY1HB221KY	Ceramic 220p 50V	R	AAAA
D1111RH-EX1398CEZZY	Zener Diode	R	BAB	C334VCKYCY1HB221KY	Ceramic 220p 50V	R	AAAA
D1112RH-EX1398CEZZY	Zener Diode	R	BAB	C335VCKYCY1HB221KY	Ceramic 220p 50V	R	AAAA
D1113RH-EX1393CEZZY	Zener Diode	R	BAB	C336VCEASX1HN105MYE	Electrolytic 1 50V	R	BAB
D1114RH-EX1393CEZZY	Zener Diode	R	BAB	C337VCEASX1HN105MYE	Electrolytic 1 50V	R	BAB
D1115RH-EX1393CEZZY	Zener Diode	R	BAB	C338RC-EZA513WJZZ	470 50V	R	
D1116RH-EX1393CEZZY	Zener Diode	R	BAB	C339RC-EZA513WJZZ	470 50V	R	
D1117RH-EX1393CEZZY	Zener Diode	R	BAB	C340VCKYTV1EB224KY	Ceramic 0.22 25V	R	AAAA
D1118RH-EXA088WJZZY	Zener Diode	R		C341VCKYTV1EB224KY	Ceramic 0.22 25V	R	AAAA
D1119RH-EXA088WJZZY	Zener Diode	R		C342VCFYFA1HA334J+	0.33 50V	R	BAB
D1120RH-EXA088WJZZY	Zener Diode	R		C343VCFYFA1HA334J+	0.33 50V	R	BAB
D1121RH-EXA088WJZZY	Zener Diode	R		C344VCEASX1HN105MYE	Electrolytic 1 50V	R	BAB
D1122RH-EXA088WJZZY	Zener Diode	R		C345VCEASX1HN105MYE	Electrolytic 1 50V	R	BAB
D1123RH-EXA088WJZZY	Zener Diode	R		C346VCEASX1HN105MYE	Electrolytic 1 50V	R	BAB
D1201RH-EX1239CEZZY	Zener Diode	R	BAB	C347VCEASX1HN105MYE	Electrolytic 1 50V	R	BAB
COILS AND FILTERS							
FL1101RFLN0017TAZZY	Filter	R	CAC	C348VCEASX1VN226MYE	Electrolytic 22 35V	R	CAC
FL1102RFLN0017TAZZY	Filter	R	CAC	C349VCEASX1VN226MYE	Electrolytic 22 35V	R	CAC
FL1103RFLN0017TAZZY	Filter	R	CAC	C350VCKYCY1HB102KY	Ceramic 1000p 50V	R	AAAA
FL1104RFLN0017TAZZY	Filter	R	CAC	C351VCKYCY1HB102KY	Ceramic 1000p 50V	R	AAAA
FL1105RFLN0017TAZZY	Filter	R	CAC	C352VCKYCY1HB102KY	Ceramic 1000p 50V	R	AAAA
FL1106RFLN0017TAZZY	Filter	R	CAC	C353VCKYCY1HB102KY	Ceramic 1000p 50V	R	AAAA
FL1107RFLN0017TAZZY	Filter	R	CAC	C354VCKYCY1HB102KY	Ceramic 1000p 50V	R	AAAA
FL1108RFLN0017TAZZY	Filter	R	CAC	C355VCKYCY1HB102KY	Ceramic 1000p 50V	R	AAAA
FL1109RFLN0017TAZZY	Filter	R	CAC	C356VCEASY1HN476MYE	Electrolytic 47 50V	R	DAD
FL1110RFLN0017TAZZY	Filter	R	CAC	C357VCEASY1HN476MYE	Electrolytic 47 50V	R	DAD
FL1211RFLN0017TAZZY	Filter	R	CAC	C358VCEASX1HN106MYE	Electrolytic 10 50V	R	CAC
FL1212RFLN0017TAZZY	Filter	R	CAC	C359VCEASX1HN106MYE	Electrolytic 10 50V	R	CAC
L301RCILPA386WJZZ	Coil, 47uH	R		C360VCEASY1CN476MYE	Electrolytic 47 16V	R	CAC
L302RCILPA386WJZZ	Coil, 47uH	R		C361RC-KZA073WJZZY	Ceramic 10 16V	R	DAD
CAPACITORS							
C301VCKYCY1CB273KY	Ceramic 0.027 16V	R	BAB	C362VCKYTV1EB224KY	Ceramic 0.22 25V	R	AAAA
C302VCKYCY1CB273KY	Ceramic 0.027 16V	R	BAB	C363VCKYTV1EB224KY	Ceramic 0.22 25V	R	AAAA
C303VCKYCY1HF224ZY	Ceramic 0.22 50V	R	AAAA	C364VCEASY1CN477MYE	Electrolytic 470 16V	R	DAD
C304VCKYCY1HF224ZY	Ceramic 0.22 50V	R	AAAA	C365VCKYCY1HB222KY	Ceramic 2200p 50V	R	AAAA
C305VCKYCY1HB104KY	Ceramic 0.1 50V	R	AAAA	C366VCKYCY1HB222KY	Ceramic 2200p 50V	R	AAAA
C306VCEASX1HN225MYE	Electrolytic 2.2 50V	R	BAB	C1101VCKYTV1EB104KY	Ceramic 0.1 25V	R	BAB
C307VCEASX1HN225MYE	Electrolytic 2.2 50V	R	BAB	C1102VCKYTV1EB104KY	Ceramic 0.1 25V	R	BAB
C308VCKYCY1HB104KY	Ceramic 0.1 50V	R	AAAA	C1103VCKYTV1EB104KY	Ceramic 0.1 25V	R	BAB
C309VCKYCY1HB222KY	Ceramic 2200p 50V	R	AAAA	C1104VCCCY1HH101JY	Ceramic 100p 50V	R	AAAA
C310VCKYCY1HB222KY	Ceramic 2200p 50V	R	AAAA	C1105VCKYTV1EB104KY	Ceramic 0.1 25V	R	BAB
C311VCEASX1CN226MYE	Electrolytic 22 16V	R	CAC	C1106VCKYTV1EB104KY	Ceramic 0.1 25V	R	BAB
C312VCKYCY1HB222KY	Ceramic 2200p 50V	R	AAAA	C1107VCKYTV1EB104KY	Ceramic 0.1 25V	R	BAB
C313VCKYCY1HB222KY	Ceramic 2200p 50V	R	AAAA	C1108VCCCY1HH101JY	Ceramic 100p 50V	R	AAAA
C314VCKYCY1HB153KY	Ceramic 0.015 50V	R	AAAA	C1109RC-KZA073WJZZY	Ceramic 10 16V	R	DAD
C315VCKYCY1HB153KY	Ceramic 0.015 50V	R	AAAA	C1110RC-KZA073WJZZY	Ceramic 10 16V	R	DAD
C316VCCCY1HH330JY	Ceramic 33p 50V	R	AAAA	C1114VCKYCY1HB221KY	Ceramic 220p 50V	R	AAAA
				C1116VCKYCY1HB221KY	Ceramic 220p 50V	R	AAAA
				C1119VCKYCY1HB102KY	Ceramic 1000p 50V	R	AAAA
				C1120VCKYCY1HB102KY	Ceramic 1000p 50V	R	AAAA
				C1121VCKYTV1CB105KY	Ceramic 1 16V	R	CAC
				C1122VCKYCY1HB331KY	Ceramic 330p 50V	R	AAAA

REF No.PARTS	DESCRIPTION	* SN CODE	EX CODE
DUNTKD604FM04 AV Unit (Continued)			
C1123VCKYCY1HB331KYCeramic 330p 50V		RAAAA	
C1124VCKYTV1CB105KYCeramic 1 16V		RACAC	
C1125VCKYCY1HB471KYCeramic 470p 50V		RAAAA	
C1126VCKYCY1HB471KYCeramic 470p 50V		RAAAA	
C1130VCEASY1CN477MYElectrolytic 470 16V		RADAD	
C1131VCKYCY1HF103ZYCeramic 0.01 50V		RAAAA	
C1132RC-KZA073WJZZYCeramic 10 16V		RADAD	
C1133RC-KZA073WJZZYCeramic 10 16V		RADAD	
C1134VCKYCY1HB102KYCeramic 1000p 50V		RAAAA	
C1135VCKYCY1HB102KYCeramic 1000p 50V		RAAAA	
C1136RC-KZA073WJZZYCeramic 10 16V		RADAD	
C1137RC-KZA073WJZZYCeramic 10 16V		RADAD	
C1138VCKYTV1CB105KYCeramic 1 16V		RACAC	
C1139VCKYCY1HB331KYCeramic 330p 50V		RAAAA	
C1140VCKYCY1HB331KYCeramic 330p 50V		RAAAA	
C1142VCKYTV1CB105KYCeramic 1 16V		RACAC	
C1143VCKYCY1HB471KYCeramic 470p 50V		RAAAA	
C1144VCKYCY1HB471KYCeramic 470p 50V		RAAAA	
C1145RC-KZA073WJZZYCeramic 10 16V		RADAD	
C1146RC-KZA073WJZZYCeramic 10 16V		RADAD	
C1147VCKYCY1EF104ZYCeramic 0.1 25V		RAAAA	
C1148RC-KZA073WJZZYCeramic 10 16V		RADAD	
C1157RC-KZA073WJZZYCeramic 10 16V		RADAD	
C1158RC-KZA073WJZZYCeramic 10 16V		RADAD	
C1159VCKYCY1HF103ZYCeramic 0.01 50V		RAAAA	
C1160VCKYCY1EF104ZYCeramic 0.1 25V		RAAAA	
C1161RC-KZA073WJZZYCeramic 10 16V		RADAD	
C1162VCEASY1CN477MYElectrolytic 470 16V		RADAD	
C1201VCKYCY1HB102KYCeramic 1000p 50V		RAAAA	
C1202VCKYCY1HF103ZYCeramic 0.01 50V		RAAAA	
C1203VCCCY1HH101JYCeramic 100p 50V		RAAAA	
C1204VCCCY1HH100DYCeramic 10p 50V		RAAAA	
C1205RC-KZA073WJZZYCeramic 10 16V		RADAD	
C1206VCCCY1HH101JYCeramic 100p 50V		RAAAA	
C1207VCCCY1HH100DYCeramic 10p 50V		RAAAA	
C1208RC-KZA073WJZZYCeramic 10 16V		RADAD	
C1210VCCCY1HH101JYCeramic 100p 50V		RAAAA	
C1211VCKYCY1HB102KYCeramic 1000p 50V		RAAAA	
C1212VCKYTV1CB105KYCeramic 1 16V		RACAC	
C1216VCCCY1HH101JYCeramic 100p 50V		RAAAA	
C1217VCKYCY1HB102KYCeramic 1000p 50V		RAAAA	
C1218VCKYTV1CB105KYCeramic 1 16V		RACAC	
C1219VCEASY1CN476MYElectrolytic 47 16V		RACAC	
C1220RC-KZA073WJZZYCeramic 10 16V		RADAD	
C1221RC-KZA073WJZZYCeramic 10 16V		RADAD	
C1222RC-KZA073WJZZYCeramic 10 16V		RADAD	
C1223RC-KZA073WJZZYCeramic 10 16V		RADAD	
C1224VCCCY1HH101JYCeramic 100p 50V		RAAAA	
C1225VCCCY1HH101JYCeramic 100p 50V		RAAAA	
C1252VCKYTV1CB105KYCeramic 1 16V		RACAC	
C1253VCKYCY1EF104ZYCeramic 0.1 25V		RAAAA	
RESISTORS			
R301VRS-CJ1JF102JYMetal Oxide 1k 1/16W		RAAAA	
R302VRS-CJ1JF472JYMetal Oxide 4.7k 1/16W		RAAAA	
R304VRS-CY1JF222JYMetal Oxide 2.2k 1/16W		RAAAA	
R305VRS-CY1JF222JYMetal Oxide 2.2k 1/16W		RAAAA	
R306VRS-CJ1JF472JYMetal Oxide 4.7k 1/16W		RAAAA	
R307VRS-CJ1JF104JYMetal Oxide 100k 1/16W		RAAAA	
R308VRS-CY1JF473JYMetal Oxide 47k 1/16W		RAAAA	
R309VRS-CY1JF473JYMetal Oxide 47k 1/16W		RAAAA	
R310VRS-CY1JF102JYMetal Oxide 1k 1/16W		RAAAA	
R311VRS-CY1JF102JYMetal Oxide 1k 1/16W		RAAAA	
R312VRS-CY1JF102JYMetal Oxide 1k 1/16W		RAAAA	

REF No.PARTS	DESCRIPTION	* SN CODE	EX CODE
R313VRS-CY1JF102JYMetal Oxide 1k 1/16W		RAAAA	
R314VRS-CY1JF392JYMetal Oxide 3.9k 1/16W		RAAAA	
R315VRS-CY1JF474JYMetal Oxide 470k 1/16W		RAAAA	
R316VRS-CY1JF392JYMetal Oxide 3.9k 1/16W		RAAAA	
R317VRS-CY1JF474JYMetal Oxide 470k 1/16W		RAAAA	
R318VRS-TW2HF820JYMetal Oxide 82 1/2W		R	
R319VRS-CY1JF122JYMetal Oxide 1.2k 1/16W		RAAAA	
R320VRS-CY1JF122JYMetal Oxide 1.2k 1/16W		RAAAA	
R321VRS-CY1JF103JYMetal Oxide 10k 1/16W		RAAAA	
R322VRS-CY1JF103JYMetal Oxide 10k 1/16W		RAAAA	
R323VRS-CY1JF473JYMetal Oxide 47k 1/16W		RAAAA	
R324VRS-CY1JF473JYMetal Oxide 47k 1/16W		RAAAA	
R325VRS-CY1JF332JYMetal Oxide 3.3k 1/16W		RAAAA	
R326VRS-CY1JF332JYMetal Oxide 3.3k 1/16W		RAAAA	
R327VRS-CJ1JF103JYMetal Oxide 10k 1/16W		RAAAA	
R328VRS-CJ1JF392JYMetal Oxide 3.9k 1/16W		RAAAA	
R329VRS-CY1JF682JYMetal Oxide 6.8k 1/16W		RAAAA	
R330VRS-CY1JF222JYMetal Oxide 2.2k 1/16W		RAAAA	
R331VRS-CY1JF222JYMetal Oxide 2.2k 1/16W		RAAAA	
R332VRS-CY1JF102JYMetal Oxide 1k 1/16W		RAAAA	
R333VRS-CJ1JF103JYMetal Oxide 10k 1/16W		RAAAA	
R334VRS-CY1JF682JYMetal Oxide 6.8k 1/16W		RAAAA	
R335VRS-TW2ED100JYMetal Oxide 10 1/4W		RAAAA	
R336VRS-TW2ED100JYMetal Oxide 10 1/4W		RAAAA	
R337VRS-TW2ED100JYMetal Oxide 10 1/4W		RAAAA	
R338VRS-TW2ED100JYMetal Oxide 10 1/4W		RAAAA	
R339VRS-TW2ED220JYMetal Oxide 22 1/4W		RABAB	
R340VRS-TW2ED220JYMetal Oxide 22 1/4W		RABAB	
R341VRS-CJ1JF103JYMetal Oxide 10k 1/16W		RAAAA	
R342VRS-CJ1JF332JYMetal Oxide 3.3k 1/16W		RAAAA	
R343VRS-TW2ED000JYMetal Oxide 0 1/4W		RABAB	
R344VRS-CJ1JF103JYMetal Oxide 10k 1/16W		RAAAA	
R345VRS-CJ1JF103JYMetal Oxide 10k 1/16W		RAAAA	
R346VRS-CY1JF560JYMetal Oxide 56 1/16W		RAAAA	
R347VRS-CY1JF560JYMetal Oxide 56 1/16W		RAAAA	
R348VRS-CJ1JF222JYMetal Oxide 2.2k 1/16W		RAAAA	
R349VRS-CY1JF101JYMetal Oxide 100 1/16W		RAAAA	
R350VRS-CY1JF101JYMetal Oxide 100 1/16W		RAAAA	
R351VRS-CY1JF103JYMetal Oxide 10k 1/16W		RAAAA	
R352VRS-CY1JF103JYMetal Oxide 10k 1/16W		RAAAA	
R353VRS-CY1JF102JYMetal Oxide 1k 1/16W		RAAAA	
R354VRS-CY1JF102JYMetal Oxide 1k 1/16W		RAAAA	
R355VRS-TW2ED27JYMetal Oxide 2.7 1/4W		R	
R356VRS-CY1JF103JYMetal Oxide 10k 1/16W		RAAAA	
R358VRS-CY1JF000JYMetal Oxide 0 1/16W		RAAAA	
R360VRS-CY1JF472JYMetal Oxide 4.7k 1/16W		RAAAA	
R361VRS-CY1JF101JYMetal Oxide 100 1/16W		RAAAA	
R1101VRS-CY1JF153FYMetal Oxide 15k 1/16W		RAAAA	
R1102VRS-CY1JF153FYMetal Oxide 15k 1/16W		RAAAA	
R1103VRS-CY1JF393FYMetal Oxide 39k 1/16W		RAAAA	
R1104VRS-CY1JF000JYMetal Oxide 0 1/16W		RAAAA	
R1105VRS-CY1JF000JYMetal Oxide 0 1/16W		RAAAA	
R1106VRS-CY1JF000JYMetal Oxide 0 1/16W		RAAAA	
R1107VRS-TV1JD221JYMetal Oxide 220 1/16W		RAAAA	
R1108VRS-CY1JF393FYMetal Oxide 39k 1/16W		RAAAA	
R1109VRS-TV1JD221JYMetal Oxide 220 1/16W		RAAAA	
R1110VRS-CY1JF000JYMetal Oxide 0 1/16W		RAAAA	
R1111VRS-TW2ED680JYMetal Oxide 68 1/4W		RAAAA	
R1112VRS-TW2ED680JYMetal Oxide 68 1/4W		RAAAA	
R1113VRS-TW2ED750JYMetal Oxide 75 1/4W		RAAAA	
R1114VRS-TW2ED750JYMetal Oxide 75 1/4W		RAAAA	
R1115VRS-CY1JF000JYMetal Oxide 0 1/16W		RAAAA	
R1116VRS-TW2ED750JYMetal Oxide 75 1/4W		RAAAA	
R1117VRS-TW2ED750JYMetal Oxide 75 1/4W		RAAAA	
R1118VRS-TW2ED750JYMetal Oxide 75 1/4W		RAAAA	
R1119VRS-CY1JF101JYMetal Oxide 100 1/16W		RAAAA	

REF No.PARTS	DESCRIPTION	* SN CODE	EX CODE
DUNTKD604FM04 AV Unit (Continued)			
R1120VRS-CY1JF000JYMetal Oxide 0 1/16W		RAAAA	
R1121VRS-TW2ED750JYMetal Oxide 75 1/4W		RAAAA	
R1123VRS-TW2ED750JYMetal Oxide 75 1/4W		RAAAA	
R1125VRS-TW2ED750JYMetal Oxide 75 1/4W		RAAAA	
R1126VRS-CY1JF000JYMetal Oxide 0 1/16W		RAAAA	
R1127VRS-TW2ED750JYMetal Oxide 75 1/4W		RAAAA	
R1128VRS-CY1JF101JYMetal Oxide 100 1/16W		RAAAA	
R1129VRS-TW2ED750JYMetal Oxide 75 1/4W		RAAAA	
R1130VRS-CY1JF000JYMetal Oxide 0 1/16W		RAAAA	
R1131VRS-CY1JF221JYMetal Oxide 220 1/16W		RAAAA	
R1134VRS-CY1JF102JYMetal Oxide 1k 1/16W		RAAAA	
R1137VRS-CY1JF000JYMetal Oxide 0 1/16W		RAAAA	
R1138VRS-CY1JF000JYMetal Oxide 0 1/16W		RAAAA	
R1139VRS-CJ1JF101JYMetal Oxide 100 1/16W		RAAAA	
R1140VRS-CJ1JF331JYMetal Oxide 330 1/16W		RAAAA	
R1141VRS-CY1JF564JYMetal Oxide 560k 1/16W		RAAAA	
R1142VRS-CY1JF564JYMetal Oxide 560k 1/16W		RAAAA	
R1143VRS-CJ1JF272JYMetal Oxide 2.7k 1/16W		RAAAA	
R1144VRS-CY1JF102JYMetal Oxide 1k 1/16W		RAAAA	
R1145VRS-CY1JF102JYMetal Oxide 1k 1/16W		RAAAA	
R1146VRS-TV1JD221JYMetal Oxide 220 1/16W		RAAAA	
R1147VRS-CY1JF102JYMetal Oxide 1k 1/16W		RAAAA	
R1148VRS-TV1JD221JYMetal Oxide 220 1/16W		RAAAA	
R1152VRS-CJ1JF101JYMetal Oxide 100 1/16W		RAAAA	
R1155VRS-CJ1JF331JYMetal Oxide 330 1/16W		RAAAA	
R1156VRS-CY1JF564JYMetal Oxide 560k 1/16W		RAAAA	
R1157VRS-CY1JF564JYMetal Oxide 560k 1/16W		RAAAA	
R1158VRS-CJ1JF272JYMetal Oxide 2.7k 1/16W		RAAAA	
R1159VRS-CY1JF102JYMetal Oxide 1k 1/16W		RAAAA	
R1160VRS-CY1JF102JYMetal Oxide 1k 1/16W		RAAAA	
R1161VRS-CY1JF221JYMetal Oxide 220 1/16W		RAAAA	
R1177VRS-CY1JF102JYMetal Oxide 1k 1/16W		RAAAA	
R1179VRS-CY1JF102JYMetal Oxide 1k 1/16W		RAAAA	
R1201VRS-CY1JF101JYMetal Oxide 100 1/16W		RAAAA	
R1202VRS-CY1JF392JYMetal Oxide 3.9k 1/16W		RAAAA	
R1203VRS-CY1JF682JYMetal Oxide 6.8k 1/16W		RAAAA	
R1204VRS-CY1JF750JYMetal Oxide 75 1/16W		RAAAA	
R1206VRS-TW2ED750JYMetal Oxide 75 1/4W		RAAAA	
R1209VRS-TW2ED750JYMetal Oxide 75 1/4W		RAAAA	
R1210VRS-CY1JF102JYMetal Oxide 1k 1/16W		RAAAA	
R1211VRS-CY1JF102JYMetal Oxide 1k 1/16W		RAAAA	
R1212VRS-CY1JF104JYMetal Oxide 100k 1/16W		RAAAA	
R1213VRS-CY1JF102JYMetal Oxide 1k 1/16W		RAAAA	
R1214VRS-CY1JF102JYMetal Oxide 1k 1/16W		RAAAA	
R1215VRS-CY1JF104JYMetal Oxide 100k 1/16W		RAAAA	
R1216VRS-CY1JF271JYMetal Oxide 270 1/16W		RAAAA	
R1217VRS-CY1JF331JYMetal Oxide 330 1/16W		RAAAA	
R1218VRS-CY1JF272JYMetal Oxide 2.7k 1/16W		RAAAA	
R1219VRS-CY1JF271JYMetal Oxide 270 1/16W		RAAAA	
R1221VRS-CY1JF331JYMetal Oxide 330 1/16W		RAAAA	
R1222VRS-CY1JF272JYMetal Oxide 2.7k 1/16W		RAAAA	
R1224VRS-CY1JF564JYMetal Oxide 560k 1/16W		RAAAA	
R1225VRS-CY1JF564JYMetal Oxide 560k 1/16W		RAAAA	
R1226VRS-CY1JF102JYMetal Oxide 1k 1/16W		RAAAA	
R1227VRS-CY1JF102JYMetal Oxide 1k 1/16W		RAAAA	
R1228VRS-CY1JF000JYMetal Oxide 0 1/16W		RAAAA	
MISCELLANEOUS PARTS			
FB1101RBLN-0062TAZZYFerrite Beads		RABAB	
FB1102RBLN-0062TAZZYFerrite Beads		RABAB	
FB1103RBLN-0077TAZZYFerrite Beads		RABAB	
FB1104RBLN-0077TAZZYFerrite Beads		RABAB	
FB1105RBLN-0051TAZZYFerrite Beads		RACAC	
FB1106RBLN-0062TAZZYFerrite Beads		RABAB	

REF No.PARTS	DESCRIPTION	* SN CODE	EX CODE
FB1107RBLN-0051TAZZYFerrite Beads		RACAC	
FB1108RBLN-0062TAZZYFerrite Beads		RABAB	
FB1109RBLN-0062TAZZYFerrite Beads		RABAB	
FB1110RBLN-0062TAZZYFerrite Beads		RABAB	
FB1111RBLN-0051TAZZYFerrite Beads		RACAC	
FB1112RBLN-0051TAZZYFerrite Beads		RACAC	
FB1201RBLN-0051TAZZYFerrite Beads		RACAC	
FB1202RBLN-0051TAZZYFerrite Beads		RACAC	
FB1203RBLN-0062TAZZYFerrite Beads		RABAB	
FB1204RBLN-0062TAZZYFerrite Beads		RABAB	
FB1213RBLN-0210TAZZYFerrite Beads		RABAB	
FB1218RBLN-0254TAZZYFerrite Beads		RABAB	
J1101QSQCZA116WJZSocket, 42pin		R	
J1201QJAKZA033WJZJack, 16pin (INPUT3)		R	
J1301QJAKJA007WJZJack 7pin (HEAD PHONE OUT)		RADAD	
LUG301QLUGHA009WJZZYlug		RACAC	
LUG302QLUGHA009WJZZYlug		RACAC	
LUG303QLUGHA009WJZZYlug		RACAC	
LUG304QLUGHA009WJZZYlug		RACAC	
P301QPLGNA173WJZZYPlug, 4pin (SP)		RADAD	
P1101QCNCMA250WJZZConnector, 23pin (to MAIN2)		RAEAE	
P1102QCNCMA250WJZZConnector, 23pin (to MAIN2)		RAEAE	
P1201QCNCMA250WJZZConnector, 23pin (to MAIN2)		RAEAE	
SC301QSQCZ0738CEZSocket, 7pin (to POWER)		RAEAE	
DUNTKD605FM01/03 (LC-32/37GA9E) POWER Unit			
INTEGRATED CIRCUITS			
IC704VHIMR4030+-1MR4030-7/101		R	
IC705VHIMR4020+-1MR4020-7/101		R	
IC706VHITA76431R-1YTA76431FR(TE12)		R	
IC707VHITA76431R-1YTA76431FR(TE12)		R	
IC708VHINJM2904M-1YNJM2904M		RAEAE	
IC709VHINJM2903M-1YNJM2903M		R	
TRANSISTORS			
Q702VS2SC3928AR-1Y2SC3928AR		RABAB	
Q704VS2SC3928AR-1Y2SC3928AR		RABAB	
Q708VS2SC3928AR-1Y2SC3928AR		RABAB	
Q710VS2SC3928AR-1Y2SC3928AR		RABAB	
Q712VS2SC3928AR-1Y2SC3928AR		RABAB	
Q713VS2SC3928AR-1Y2SC3928AR		RABAB	
Q721VS2SC3928AR-1Y2SC3928AR		RABAB	
Q726VS2SC3928AR-1Y2SC3928AR		RABAB	
Q729VS2SD2185R+1Y2SD2185R		R	
DIODES			
D701RH-DX0477CEZDX0477CE		RAFAF	
D707VHD1SS355/-1Y1SS355		RABAB	
D714RH-EX1398CEZZYener Diode, 8.2V		RABAB	
D715VHDD1FL20UJ-1YD1FL20U		RACAC	
D716VHJU05NU44+1YU05NU44		R	
D717VHDD1FL20UJ-1YD1FL20U		RACAC	
D718RH-EXA091WJZZYener Diode, 11V		RABAB	
D720VHJU05NU44+1YU05NU44		R	
D721RH-EXA096WJZZYener Diode, 18V		RABAB	
D722VHD1SS355/-1Y1SS355		RABAB	
D724VHDD1FL20UJ-1YD1FL20U		RACAC	
D725VHDD1FL20UJ-1YD1FL20U		RACAC	
D726VHDD1FL20UJ-1YD1FL20U		RACAC	
D728VHEST03D170-1Zener Diode		R	
D729VHEST03D170-1Zener Diode		R	
D730RH-FXA003WJZZPC123Y82		RADAD	
D731RH-FXA003WJZZPC123Y82		RADAD	
D732RH-FXA003WJZZPC123Y82		RADAD	

REF No.PARTS	DESCRIPTION	* SN CODE	EX CODE
DUNTKD605FM01/03 (LC-32/37GA9E)			
POWER Unit (Continued)			
D733RH-FXA003WJZPC123Y82		RADAD	
D734RH-FXA003WJZPC123Y82		RADAD	
D735VHDSF6L20U+1SF6L20U+1		RAGAG	
D736RH-DXA080WJZZRH-DXA080WJ		R	
D737RH-DXA081WJZZRH-DXA081WJ		R	
D738RH-DXA088WJZZYRH-DXA088WJ		R	
D739RH-DXA085WJZZRH-DXA085WJ		R	
D741RH-EX1398CEZZYZener Diode, 8.2V		RABAB	
D742VHDJSS355/-1Y1SS355		RABAB	
D746RH-EXA102WJZZYZener Diode, 33V		R	
D747VHDJSS355/-1Y1SS355		RABAB	
D748RH-EXA094WJZZYZener Diode, 15V		RABAB	
D749RH-EX1400CEZZYZener Diode, 10V		RABAB	
D751RH-EX1398CEZZYZener Diode, 8.2V		RABAB	
D752VHDJSS355/-1Y1SS355		RABAB	
D753RH-EXA094WJZZYZener Diode, 15V		RABAB	
D754RH-EXA101WJZZYZener Diode, 30V		RABAB	
D755VHDJSS355/-1Y1SS355		RABAB	
D756RH-EXA101WJZZYZener Diode, 30V		RABAB	
D757VHDJSS355/-1Y1SS355		RABAB	
D759RH-EXA101WJZZYZener Diode, 30V		RABAB	
D761VHDJ1FL20U/-1YD1FL20U		RACAC	
D762VHEST03D170-1Zener Diode		R	
D763RH-EX1394CEZZYZener Diode		RABAB	
D765VHDJSS355/-1Y1SS355		RABAB	
D767VHDJSS355/-1Y1SS355		RABAB	
D771VHEST03D-82-1Zener Diode		R	
D772RH-EXA102WJZZYZener Diode, 33V		R	
D773VHDJSS355/-1Y1SS355		RABAB	
D774VHDJSS355/-1Y1SS355		RABAB	
D775VHDJSS355/-1Y1SS355		RABAB	
D776RH-EX1234CEZZYZener Diode, 3.6V		RAEAE	
D777VHDJ05NU44+1YU05NU44		R	
D778VHDJ05NU44+1YU05NU44		R	
D779VHDJSS355/-1Y1SS355		RABAB	
D780RH-EX1015GEZZYZener Diode		RADAD	
D781RH-EX1015GEZZYZener Diode		RADAD	
D782RH-EXA359WJZZYZener Diode		R	
D783RH-EXA359WJZZYZener Diode		R	
Q723RH-TXA037WJZZYTXA037WJ		R	
Q724RH-TXA037WJZZYTXA037WJ		R	
Q730RH-TXA026WJZZYTXA026WJ		R	
Q731RH-TXA026WJZZYTXA026WJ		R	
T701RH-HXA033WJZZThermistor		R	
V701RH-VXA071WJQZVaristor		R	
V702RH-VXA071WJQZVaristor		R	
COILS AND TRANSFORMERS			
L701RCILFA211WJZZCoil(LC-32GA9E)		R	
L701RCILFA211WJZZCoil(LC-37GA9E)		R	
L702RCILF0024PEZZCoil(LC-32GA9E)		RANAN	
L702RCILF0024PEZZCoil(LC-37GA9E)		RANAN	
L753RCILPA642WJZZCoil		R	
T701RTRNWA230WJZZTransformer		R	
T702RTRNWA231WJZZTransformer (LC-32GA9E/LC-37GA9E)		R	
T703RTRNQA022WJZZCHOKE Transformer (LC-32GA9E)		R	
T703RTRNQA023WJZZCHOKE Transformer (LC-37GA9E)		R	
CAPACITORS			
C704RC-FZA026WJZZ 0.47 275V		RAEAE	
C705RC-EZA985WJZZ(LC-32GA9E) 220 400V		R	

REF No.PARTS	DESCRIPTION	* SN CODE	EX CODE
C705RC-EZA986WJZZ(LC-37GA9E) 270		R	
C706RC-EZA985WJZZ(LC-32GA9E) 220		R	
C706RC-EZA986WJZZ(LC-37GA9E) 270		R	
C708RC-KZ0105GEZZCeramic 2200p 250V		RADAD	
C709RC-KZ0105GEZZCeramic 2200p 250V		RADAD	
C712RC-FZA026WJZZ 0.47 275V		RAEAE	
C713VCKYCY1HB104KYCeramic 0.1 50V		RAAAA	
C716VCKYCY1HB104KYCeramic 0.1 50V		RAAAA	
C717VCKYCY1HB104KYCeramic 0.1 50V		RAAAA	
C720VCKYCY1HB104KYCeramic 0.1 50V		RAAAA	
C722VCCCY1HH470JYCeramic 47p 50V		RAAAA	
C723RC-EZA489WJZZ+ 47 35V		R	
C725RC-KZA304WJZZCeramic 470 2kV		R	
C726VCCCY1HH101JYCeramic 100p 50V		RAAAA	
C728VCKYCY1HB332KYCeramic 3300p 50V		RAAAA	
C730VCKYCY1HB104KYCeramic 0.1 50V		RAAAA	
C732VCKYCY1HB104KYCeramic 0.1 50V		RAAAA	
C733VCKYCY1HB222KYCeramic 2200p 50V		RAAAA	
C734RC-KZA304WJZZCeramic 470p 2kV		R	
C735RC-EZA489WJZZ+ 47 35V		R	
C736RC-EZA489WJZZ+ 47 35V		R	
C739VCCCY1HH102JYCeramic 1000p 50V		RABAB	
C740RC-KZ0105GEZZCeramic 2200p 250V		RADAD	
C741RC-KZ0105GEZZCeramic 2200p 250V		RADAD	
C742RC-KZ0105GEZZCeramic 2200p 250V		RADAD	
C743RC-EZA513WJZZ 470 50V		R	
C744RC-EZA499WJZZ 1200 35V		R	
C745VCKYCY1HB472KYCeramic 4700p 50V		RAAAA	
C749VCKYTV1HB683KYCeramic 0.068 50V		R	
C751RC-EZA499WJZZ 1200 35V		R	
C752RC-EZA452WJZZ 2200 10V		R	
C753VCKYTV1HB683KYCeramic 0.068 50V		R	
C754RC-EZA510WJZZ 220 50V		R	
C755RC-EZA499WJZZ 1200 35V		R	
C756RC-EZA452WJZZ 2200 10V		R	
C757RC-EZA480WJZZ 680 25V		RADAD	
C758RC-EZA490WJZZ+ 100 35V		R	
C762RC-EZA513WJZZ 470 50V		R	
C763VCKYCY1HB104KYCeramic 0.1 50V		RAAAA	
C764VCKYCY1HB104KYCeramic 0.1 50V		RAAAA	
C765VCKYCY1HB104KYCeramic 0.1 50V		RAAAA	
C767RC-EZA510WJZZ 220 50V		R	
C768RC-EZA452WJZZ 2200 10V		R	
C771VCKYCY1HB272KYCeramic 2700p 50V		RAAAA	
C772VCKYCY1HB104KYCeramic 0.1 50V		RAAAA	
C774VCKYCY1CB104KYCeramic 0.1 16V		RABAB	
C776RC-KZA213WJZZYCeramic 4.7 25V		RACAC	
C777RC-KZ0105GEZZCeramic 2200p 250V		RADAD	
C778RC-KZ0105GEZZCeramic 2200p 250V		RADAD	
C781RC-KZ0105GEZZCeramic 2200p 250V (LC-32GA9E)		RADAD	
C781VCFYAA2JA103KPP FILM C 10NF 10% 630V (LC-37GA9E)R			
C782RC-KZ0105GEZZCeramic 2200p 250V (LC-32GA9E)		RADAD	
C782VCFYAA2JA103KPP FILM C 10NF 10% 630V (LC-37GA9E)R			
C782RC-KZ0029CEZZCeramic 0,01 250V		RACAC	
C783RC-KZA213WJZZYCeramic 4.7 25V		RACAC	
C789VCKYCY1HB104KYCeramic 0.1 50V		RAAAA	
C790VCKYCY1HB104KYCeramic 0.1 50V		RAAAA	
C792VCKYCY1AB105KYCeramic 1 10V		RABAB	
C793VCKYCY1CB104KYCeramic 0.1 16V		RABAB	
C794RC-KZA388WJZZYCeramic 10 6.3V		RACAC	
C795VCKYCY1AB105KYCeramic 1 10V		RABAB	
C796VCKYCY1AB105KYCeramic 1 10V		RABAB	
C798VCKYCY1CB104KYCeramic 0.1 16V		RABAB	
C799VCKYCY1CB104KYCeramic 0.1 16V		RABAB	
C800VCKYCY1CB104KYCeramic 0.1 16V		RABAB	
C801VCKYCY1CB104KYCeramic 0.1 16V		RABAB	
C804VCKYCY1CB104KYCeramic 0.1 16V		RABAB	

REF No.	PARTS	DESCRIPTION	* SN CODE	EX CODE
DUNKD605FM01/03 (LC-32/37GA9E)				
POWER Unit (Continued)				
RESISTORS				
R701RR	HZ0008GEZZY	Resistor	R	
R702RR	HZ0008GEZZY	Resistor	R	
R727VRS	TV1JD563JY	Metal Oxide 56k 1/16W	R	RAAAA
R730VRS	TQ2EF124FY	Metal Oxide 120k 1/4W	R	
R731VRS	TQ2EF124FY	Metal Oxide 120k 1/4W	R	
R732VRS	TQ2EF124FY	Metal Oxide 120k 1/4W	R	
R740VRS	TV1JD564JY	Metal Oxide 560k 1/16W	R	RAAAA
R741VRS	TV1JD103JY	Metal Oxide 10k 1/16W	R	RAAAA
R742VRS	TV1JD103JY	Metal Oxide 10k 1/16W	R	RAAAA
R743VRS	CY1JF224JY	Metal Oxide 220k 1/16W	R	RAAAA
R745VRS	TV1JD912JY	Metal Oxide 9.1k 1/16W	R	
R746VRS	TV1JD103JY	Metal Oxide 10k 1/16W	R	RAAAA
R747VRS	TV1JD752FY	Metal Oxide 7.5k 1/16W (LC-32GA9E/LC-37GA9E)R	R	
R748VRS	TV1JD103JY	Metal Oxide 10k 1/16W	R	RAAAA
R751VRN	VV3DBR10J	Metal Film 0.1 2W (LC-32GA9E/LC-37GA9E)RABAB	R	
R752VRS	TV1JD000JY	Metal Oxide 0 1/16W	R	RAAAA
R753VRS	TV1JD133JY	Metal Oxide 13k 1/16W	R	
R755VRS	TV1JD203FY	Metal Oxide 20k 1/16W	R	
R756VRS	TV1JD183FY	Metal Oxide 18k 1/16W	R	
R757VRS	TV1JD103JY	Metal Oxide 10k 1/16W	R	RAAAA
R758VRS	TV1JD564JY	Metal Oxide 560k 1/16W	R	RAAAA
R759VRS	TV1JD103JY	Metal Oxide 10k 1/16W	R	RAAAA
R760VRN	VV3DBR15J	Metal Film 0.15 2W	R	RABAB
R761VRS	TV1JD103JY	Metal Oxide 10k 1/16W	R	RAAAA
R764VRS	TV1JD103JY	Metal Oxide 10k 1/16W	R	RAAAA
R765VRS	TV1JD103JY	Metal Oxide 10k 1/16W	R	RAAAA
R766VRS	TV1JD103JY	Metal Oxide 10k 1/16W	R	RAAAA
R767VRS	TQ2EF391JY	Metal Oxide 390 1/4W	R	
R770VRS	TQ2BD000JY	Metal Oxide 0 1/8W	R	RAAAA
R773VRS	TV1JD103JY	Metal Oxide 10k 1/16W	R	RAAAA
R774VRS	TV1JD103JY	Metal Oxide 10k 1/16W	R	RAAAA
R775VRS	TV1JD153FY	Metal Oxide 15k 1/16W	R	RAAAA
R776VRS	TV1JD102JY	Metal Oxide 1k 1/16W	R	RAAAA
R777VRS	TV1JD242FY	Metal Oxide 2.4k 1/16W	R	
R778VRS	TV1JD242FY	Metal Oxide 2.4k 1/16W	R	
R779VRS	TV1JD103JY	Metal Oxide 10k 1/16W	R	RAAAA
R780VRS	TV1JD682JY	Metal Oxide 6.8k 1/16W	R	RAAAA
R781VRS	TV1JD242FY	Metal Oxide 2.4k 1/16W	R	
R782VRS	TV1JD102JY	Metal Oxide 1k 1/16W	R	RAAAA
R783VRS	TV1JD223JY	Metal Oxide 22k 1/16W	R	RAAAA
R784VRS	TV1JD242JY	Metal Oxide 2.4k 1/16W	R	
R785VRS	TV1JD103JY	Metal Oxide 10k 1/16W	R	RAAAA
R787VRS	TV1JD103JY	Metal Oxide 10k 1/16W	R	RAAAA
R788VRS	TV1JD202FY	Metal Oxide 2k 1/16W	R	
R789VRS	TV1JD681FY	Metal Oxide 680 1/16W	R	RAAAA
R791VRS	TV1JD103JY	Metal Oxide 10k 1/16W	R	RAAAA
R792VRS	TV1JD272JY	Metal Oxide 2.7k 1/16W	R	RAAAA
R793VRS	TV1JD103JY	Metal Oxide 10k 1/16W	R	RAAAA
R794VRS	TV1JD821FY	Metal Oxide 820 1/16W	R	
R795VRS	TV1JD203FY	Metal Oxide 20k 1/16W	R	
R796VRS	TV1JD272JY	Metal Oxide 2.7k 1/16W	R	RAAAA
R801VRS	CY1JF122JY	Metal Oxide 1.2k 1/16W	R	RAAAA
R805VRS	TV1JD224JY	Metal Oxide 220k 1/16W	R	
R809VRS	CY1JF122JY	Metal Oxide 1.2k 1/16W	R	RAAAA
R812VRS	CY1JF122JY	Metal Oxide 1.2k 1/16W	R	RAAAA
R817VRS	TQ2EF122JY	Metal Oxide 1.2k 1/4W	R	RAAAA
R820VRS	CY1JF122JY	Metal Oxide 1.2k 1/16W	R	RAAAA
R823VRS	TV1JD103JY	Metal Oxide 10k 1/16W	R	RAAAA
R824VRS	TQ2EF332JY	Metal Oxide 3.3k 1/4W	R	
R825VRS	TV1JD103JY	Metal Oxide 10k 1/16W	R	RAAAA
R828VRS	TQ2EF220JY	Metal Oxide 22 1/4W	R	RAAAA

REF No.	PARTS	DESCRIPTION	* SN CODE	EX CODE
R831VRS	TV1JD103JY	Metal Oxide 10k 1/16W	R	RAAAA
R833VRS	TQ2EF223FY	Metal Oxide 22k 1/4W	R	
R834VRS	TV1JD103JY	Metal Oxide 10k 1/16W	R	RAAAA
R835VRS	TQ2BD000JY	Metal Oxide 0 1/8W	R	RAAAA
R836VRS	TV1JD103JY	Metal Oxide 10k 1/16W	R	RAAAA
R851VRS	TQ2EF221JY	Metal Oxide 220 1/4W	R	RAAAA
R852VRS	TQ2EF221JY	Metal Oxide 220 1/4W	R	RAAAA
R854VRS	VV3DB102JY	Metal Oxide 1k 2W	R	RAAAA
R857VRS	TQ2BD000JY	Metal Oxide 0 1/8W	R	RAAAA
R858VRS	TV1JD272JY	Metal Oxide 2.7k 1/16W	R	RAAAA
R859VRS	CY1JF123JY	Metal Oxide 12k 1/16W	R	RAAAA
R860VRS	CY1JF472JY	Metal Oxide 4.7k 1/16W	R	RAAAA
R861VRS	CY1JF272JY	Metal Oxide 2.7k 1/16W	R	RAAAA
R862VRS	CY1JF272JY	Metal Oxide 2.7k 1/16W	R	RAAAA
R863VRS	CY1JF472JY	Metal Oxide 4.7k 1/16W	R	RAAAA
R864VRS	CY1JF333JY	Metal Oxide 33k 1/16W	R	RAAAA
R865VRS	CY1JF333JY	Metal Oxide 33k 1/16W	R	RAAAA
R866VRS	CY1JF473JY	Metal Oxide 47k 1/16W	R	RAAAA
R867VRS	CY1JF123JY	Metal Oxide 12k 1/16W	R	RAAAA
R868VRS	CY1JF122JY	Metal Oxide 1.2k 1/16W	R	RAAAA
R869VRS	CY1JF332JY	Metal Oxide 3.3k 1/16W	R	RAAAA
R870VRS	CY1JF222JY	Metal Oxide 2.2k 1/16W	R	RAAAA
R871VRS	CY1JF122JY	Metal Oxide 1.2k 1/16W	R	RAAAA
R872VRS	CY1JF472JY	Metal Oxide 4.7k 1/16W	R	RAAAA
R873VRS	CY1JF122JY	Metal Oxide 1.2k 1/16W	R	RAAAA
R877VRS	TQ2EF124FY	Metal Oxide 120k 1/4W	R	
R878VRS	TQ2EF124FY	Metal Oxide 120k 1/4W	R	
RJ1VRS	CY1JF000JY	Metal Oxide 0 1/16W	R	RAAAA
RJ2VRS	CY1JF000JY	Metal Oxide 0 1/16W	R	RAAAA
RJ3VRS	CY1JF000JY	Metal Oxide 0 1/16W	R	RAAAA
MISCELLANEOUS PARTS				
E701LAN	GQA027WJFW	Fixing Metal, AC-INLET	R	
R701QFS	ZA007WJZZ	Fuse, AC250V	R	RACAC
LUG701Q	LUGHA002WJZZ	Lug	R	RABAB
LUG702Q	LUGHA002WJZZ	Lug	R	RABAB
LUG703Q	LUGHA002WJZZ	Lug	R	RABAB
LUG704Q	LUGHA002WJZZ	Lug	R	RABAB
P701QCNC	MA250WJZZ	Connector, 23pin (to MAIN6)	R	RAEAE
P702QCNC	MA247WJZZ	Connector, 9pin (to MAIN6)	R	RADAD
P703QPL	GZ0738CEZZ	Plug, 7pin (to AV)	R	RACAC
P704QPL	GA053WJZZ	Plug, 14pin (LA) (to INVERTER)	R	
RDA701PR	DARA323WJFW	Heat Sink (for D701)	R	
RDA702PR	DARA306WJFW	Heat Sink (for IC705)	R	
RDA703PR	DARA307WJFW	Heat Sink (LC-32GA9E)	R	
RDA703PR	DARA340WJFW	Heat Sink (LC-37GA9E)	R	
RDA704PR	DARA308WJFW	Heat Sink (for D737)	R	
RDA705PR	DARA309WJFW	Heat Sink (for D736)	R	
RDA706PR	DARA334WJFW	Heat Sink (LC-37GA9E)	R	
R701RRLY	DA008WJZZ	Relay	R	RAGAG
SC701QSO	CA008WJZZ	Socket, 2pin	R	
LCHSMA275	WJZZ	Chassis	R	
LHLDW1033	CEKZ	Holder (LC-37GA9E)	R	RAAAA
LHLDW1123	GEZZ	Holder	R	RABAB
LHLDW1205	CEZZ	Holder	R	RACAC
LHLDWA055	WKZ	Holder	R	RACAC
LHLDWA137	WJZZ	Holder	R	
LX-BZ3049	GEF7	Screw	R	RAAAA
LX-BZ3049	GEF7	Screw	R	RAAAA
LX-BZ3049	GEF7	Screw	R	RAAAA
LX-BZ3049	GEF7	Screw	R	RAAAA
LX-BZ3049	GEF7	Screw	R	RAAAA
LX-BZ3049	GEF7	Screw	R	RAAAA
LX-BZA044	WJFU	Screw	R	RAAAA
PMLT-A315	WJZZ	Absorber (LC-32GA9E)	R	
PMLT-A316	WJZZ	Absorber (LC-32GA9E)	R	

REF No.	PARTS	DESCRIPTION	*	SN CODE	EX CODE
DUNTKD605FM01/03 (LC-32/37GA9E)					
POWER Unit (Continued)					
	QCNW-E232WJQZ	Connecting Cord (LC-32GA9E)	R		
	QCNW-E234WJQZ	Connecting Cord	R		
	QCNW-E235WJQZ	Connecting Cord (LC-32GA9E)	R		
	QCNW-E399WJQZ	Connecting Cord (LC-32GA9E)	R		
	QCNW-E412WJQZ	Connecting Cord (LC-37GA9E)	R		
	QCNW-E415WJQZ	Connecting Cord (LC-37GA9E)	R		
	QCNW-E419WJQZ	Connecting Cord (LC-37GA9E)	R		
	QEARPA212WJFWG	Ground-Part	R		
	RCORFA023WJZZ	Cofe	RAKAK		
	XBPS830P06000	Screw	RAAAA		
	XBSSN30P06000	Screw (LC-37GA9E)	RAAAA		
	XEBS930P08000	Screw	RAAAA		
	XJPS730P08WS0	Screw	RAAAA		
DUNTKD606FMV0					
KEY Unit					
DIODE					
	D151RH-EX0641GEZZY	Zener Diode	RAAAA		
RESISTORS					
	R151VRD-RA2BE182JY	Carbon 1.8k 1/8W	RAAAA		
	R152VRD-RA2BE431JY	Carbon 430 1/8W	R		
	R153VRD-RA2BE822JY	Carbon 8.2k 1/8W	RAAAA		
	R155VRD-RA2BE432JY	Carbon 4.3k 1/8W	R		
	R156VRD-RA2BE911JY	Carbon 910 1/8W	R		
SWITCHES					
	S151QSW-K0003AJZZ	+Switch, CH-UP	RABAB		
	S152QSW-K0003AJZZ	+Switch, CH-DOWN	RABAB		
	S153QSW-K0003AJZZ	+Switch, MENU	RABAB		
	S154QSW-K0003AJZZ	+Switch, VOL-UP	RABAB		
	S155QSW-K0003AJZZ	+Switch, VOL-DOWN	RABAB		
	S156QSW-PA020WJZZ	Switch,	R		
MISCELLANEOUS PART					
	P153QPL-GNA057WJZZ	Plug, 3pin (KM) (to MAIN5)	RABAB		
DUNTKD607FMV0					
R/C, LED Unit					
INTEGRATED CIRCUITS					
	IC101VHI-TPS8501YTPS850		RAAGAG		
DIODE					
	D101RH-EXA092WJZZY	Zener Diode, 12V	RABAB		
	D102RH-PX0202TAZZYGR1102W-330-TR		RACAC		
	D103RH-PX0210TAZZYBRPG1211C-TR		RACAC		
	D104RH-PX0419CEZZY	PhotoDiode	RACAC		
CAPACITORS					
	C101VCEASY1CN107MYE	Electrolytic 100 16V	RACAC		
	C102VCKYTV1CF225ZY	Ceramic 2.2 16V	RABAB		
	C104VCEASX1CN106MYE	Electrolytic 10 16V	RACAC		
	C105VCKYCY1HF103ZY	Ceramic 0.01 50V	RAAAA		
RESISTORS					
	R101VRS-CY1JF101JYM	Metal Oxide 100 1/16W	RAAAA		
	R108VRS-CY1JF271JYM	Metal Oxide 270 1/16W	RAAAA		
	R109VRS-CY1JF122JYM	Metal Oxide 1.2k 1/16W	RAAAA		
	R112VRS-CY1JF471JYM	Metal Oxide 470 1/16W	RAAAA		
	R114VRS-CY1JF821JYM	Metal Oxide 820 1/16W	RAAAA		
MISCELLANEOUS PARTS					
	P101QPL-GNA344WJZZY	Plug, 10pin (RA) (to MAIN5)	RADAD		
	RMC101RRMCAU053WJZZ	Remote Receiver	R		
	SLD101PSLDM4646CEFWS	Shield	RADAD		

REF No.	PARTS	DESCRIPTION	*	SN CODE	EX CODE
DUNTKD608FM02					
TUNER Unit					
TUNER					
	TU201RTUNQA021WJZZ	Tuner	SAHAT		
INTEGRATED CIRCUIT					
	IC201VHI-TDA9886+-1YTD	A9886	R		
TRANSISTORS					
	Q201VS2SC2735/1EY2SC2735		RACAC		
	Q202VS2SC2735/1EY2SC2735		RACAC		
	Q203VS2SC3928AR-1Y2SC3928AR		RABAB		
	Q204VS2SA1530AR-1Y2SA1530AR		RABAB		
DIODES					
	D201VHD1SS390+-1Y1SS390		RABAB		
	D202RH-EX0677GEZZY	Zener Diode, 33V	RACAC		
	D203VHD1SS390+-1Y1SS390		RABAB		
	D204VHD1SS390+-1Y1SS390		RABAB		
	D205VHD1SS390+-1Y1SS390		RABAB		
	D206VHD1SS390+-1Y1SS390		RABAB		
PACKAGED CIRCUIT					
	X201RCR-5AA029WJZZ	Crystal	RAFAF		
COILS AND FILTERS					
	FL201RFILC0278BMZZ	Filter	RAMAM		
	FL202RFILC0294BMZZ	Filter	R		
	L201VPCNN1R2JR58NY	Peaking, 1.2uH	RABAB		
	L202VPCNN1R2JR58NY	Peaking, 1.2uH	RABAB		
	L203VP-MK100J0000+Peaking, 10uH		R		
	L204VP-MK120J0000+Peaking, 1.2uH		R		
	L205VPCNN330J4R2NY	Peaking, 33uH	R		
CAPACITORS					
	C201VCE5KA1AM336M+ 33 10V		R		
	C202VCCCCY1HH220JY	Ceramic 22p 50V	RAAAA		
	C203VCCCCY1HH220JY	Ceramic 22p 50V	RAAAA		
	C204VCE5KA1CM477M+ 470 16V		RADAD		
	C205VCKYCY1HF103ZY	Ceramic 0.01 50V	RAAAA		
	C206VCE5KA1CM107M+ 10 16V		RACAC		
	C207VCE5KA1HM106M+ 10 50V		R		
	C208VCKYCY1HF103ZY	Ceramic 0.01 50V	RAAAA		
	C209VCKYCY1HF103ZY	Ceramic 0.01 50V	RAAAA		
	C210VCKYCY1HF103ZY	Ceramic 0.01 50V	RAAAA		
	C211VCKYCY1HF103ZY	Ceramic 0.01 50V	RAAAA		
	C212VCKYCY1HF103ZY	Ceramic 0.01 50V	RAAAA		
	C213VCKYCY1HF103ZY	Ceramic 0.01 50V	RAAAA		
	C214VCKYCY1HF103ZY	Ceramic 0.01 50V	RAAAA		
	C215VCKYCY1HF103ZY	Ceramic 0.01 50V	RAAAA		
	C216VCKYCY1HF103ZY	Ceramic 0.01 50V	RAAAA		
	C217VCE5KA1HM106M+ 10 50V		R		
	C218VCKYCY1HB103KY	Ceramic 0.01 50V	RAAAA		
	C219VCKYCY1EF104ZY	Ceramic 0.1 25V	RAAAA		
	C220VCKYCY1HF103ZY	Ceramic 0.01 50V	RAAAA		
	C221VCE5KA1CM107M+ 10 16V		RACAC		
	C222VCKYCY1EF104ZY	Ceramic 0.1 25V	RAAAA		
	C223VCCCCY1HH391JY	Ceramic 390p 50V	RABAB		
	C224VCKYTV1CB224KY	Ceramic 0.22 16V	RABAB		
	C225VCKYCY1HB152KY	Ceramic 150p 50V	RAAAA		
	C226VCE5KA1AM227M+ 220 10V		RADAD		
	C227VCKYCY1HF103ZY	Ceramic 0.01 50V	RAAAA		
	C228VCKYTV1CB474KY	Ceramic 0.47 16V	RACAC		
	C229VCCCCY1HH120JY	Ceramic 12p 50V	RAAAA		
	C230VCE5KA1HM106M+ 10 50V		R		
	C231VCKYCY1HF103ZY	Ceramic 0.01 50V	RAAAA		
	C232VCCCCY1HH330JY	Ceramic 33p 50V	RAAAA		

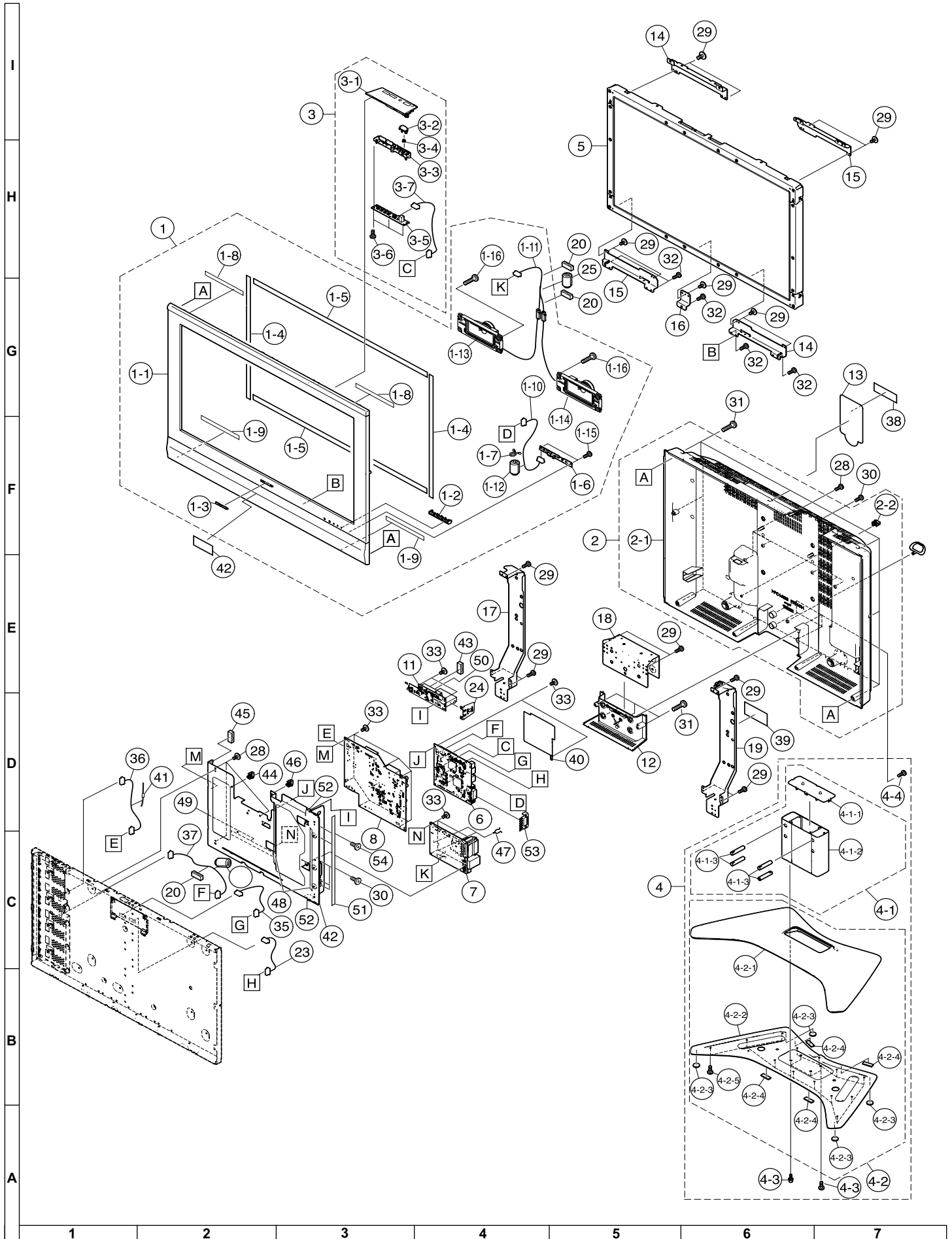
REF No.	PARTS	DESCRIPTION	* SN CODE	EX CODE
C233VCK	CY1HB102KY	Ceramic 100p 50V	RAAAA	
C234VCK	CY1EF104ZY	Ceramic 0.1 25V	RAAAA	
C235VCK	CY1HB103KY	Ceramic 0.01 50V	RAAAA	
RESISTORS				
R201VRS	CY1JF104JY	Metal Oxide 10k 1/16W	RAAAA	
R202VRS	CY1JF681JY	Metal Oxide 680 1/16W	RAAAA	
R203VRS	CY1JF683JY	Metal Oxide 68k 1/16W	RAAAA	
R204VRS	CY1JF123JY	Metal Oxide 12k 1/16W	RAAAA	
R205VRS	CY1JF473JY	Metal Oxide 47k 1/16W	RAAAA	
R206VRS	CY1JF000JY	Metal Oxide 0 1/16W	RAAAA	
R207VRS	CY1JF470JY	Metal Oxide 47 1/16W	RAAAA	
R208VRS	CY1JF470JY	Metal Oxide 47 1/16W	RAAAA	
R209VRS	CY1JF123JY	Metal Oxide 12k 1/16W	RAAAA	
R210VRS	CY1JF680JY	Metal Oxide 68 1/16W	RAAAA	
R211VRS	CY1JF680JY	Metal Oxide 68 1/16W	RAAAA	
R212VRS	CY1JF101JY	Metal Oxide 10 1/16W	RAAAA	
R213VRS	CY1JF101JY	Metal Oxide 10 1/16W	RAAAA	
R214VRS	CY1JF820JY	Metal Oxide 82 1/16W	RAAAA	
R215VRS	CY1JF122JY	Metal Oxide 1.2k 1/16W	RAAAA	
R216VRS	CY1JF122JY	Metal Oxide 1.2k 1/16W	RAAAA	
R217VRS	CY1JF122JY	Metal Oxide 1.2k 1/16W	RAAAA	
R218VRS	CY1JF821JY	Metal Oxide 820 1/16W	RAAAA	
R219VRS	CY1JF222JY	Metal Oxide 2.2k 1/16W	RAAAA	
R220VRS	CY1JF392JY	Metal Oxide 3.9k 1/16W	RAAAA	
R221VRS	CY1JF392JY	Metal Oxide 3.9k 1/16W	RAAAA	
R223VRS	CY1JF562JY	Metal Oxide 5.6k 1/16W	RAAAA	
R224VRS	CY1JF562JY	Metal Oxide 5.6k 1/16W	RAAAA	
R226VRS	CY1JF103JY	Metal Oxide 10k 1/16W	RAAAA	
R227VRS	CY1JF103JY	Metal Oxide 10k 1/16W	RAAAA	
R228VRS	CY1JF223JY	Metal Oxide 22k 1/16W	RAAAA	
R229VRS	CY1JF223JY	Metal Oxide 22k 1/16W	RAAAA	
R230VRS	CY1JF562JY	Metal Oxide 5.6k 1/16W	RAAAA	
R231VRS	TQ2BD330JY	Metal Oxide 33 1/8W	RAAAA	
R232VRS	CY1JF331JY	Metal Oxide 330 1/16W	RAAAA	
R233VRS	CY1JF821JY	Metal Oxide 820 1/16W	RAAAA	
R234VRS	CY1JF271JY	Metal Oxide 270 1/16W	RAAAA	
R235VRS	CY1JF101JY	Metal Oxide 10 1/16W	RAAAA	
R236VRS	CY1JF101JY	Metal Oxide 10 1/16W	RAAAA	
R237VRS	CY1JF331JY	Metal Oxide 330 1/16W	RAAAA	
R238VRS	CY1JF151JY	Metal Oxide 150 1/16W	RAAAA	
R239VRS	CY1JF101JY	Metal Oxide 10 1/16W	RAAAA	
R240VRS	CY1JF331JY	Metal Oxide 330 1/16W	RAAAA	
R241VRS	CY1JF103JY	Metal Oxide 10k 1/16W	RAAAA	
R242VRS	CY1JF392JY	Metal Oxide 3.9k 1/16W	RAAAA	
R243VRS	CY1JF101JY	Metal Oxide 10 1/16W	RAAAA	
R244VRS	CY1JF221JY	Metal Oxide 220 1/16W	RAAAA	
R245VRS	TW2ED561JY	Metal Oxide 560 1/4W	RAAAA	
R246VRS	CY1JF680JY	Metal Oxide 68 1/16W	RAAAA	
RJ1VRS	CY1JF000JY	Metal Oxide 0 1/16W	RAAAA	
RJ2VRS	CY1JF000JY	Metal Oxide 0 1/16W	RAAAA	
RJ3VRS	CY1JF000JY	Metal Oxide 0 1/16W	RAAAA	
RJ4VRS	CY1JF000JY	Metal Oxide 0 1/16W	RAAAA	
RJ5VRS	CY1JF000JY	Metal Oxide 0 1/16W	RAAAA	
MISCELLANEOUS PARTS				
FB201RBLN	0210TAZZY	Ferrite Beads	RABAB	
FB202RBLN	0065CEZZY	Ferrite Beads	RACAC	
LUG201QLUGHA	002WJZZ	Lug	RABAB	
LUG202QLUGHA	002WJZZ	Lug	RABAB	
LUG203QLUGHA	002WJZZ	Lug	RABAB	
P201QCNCMA	012WJZZ	Connector, 15pin (to MAIN2)	RADAD	
	PSLDM	A898WJFWShield	R	
	LHLDW	1072GEZZHolder	RAAAA	
	RCORFA	039WJZZFERRITE E04FG441312-T	--	
	RCORFA	048WJZZFERRITE E04FG521312	--	

CABINET AND MECHANICAL PARTS LISTING
(LC-32GA9E/K/F/I/R)

REF No.	PARTS DESCRIPTION	*SN CODEX CODE
1CCABAB237WJ01KS-CAB-A LC32GA9E		SBCBT
1-1	Not Available Front Cabinet	--
1-2GCOVAB478WJSALED Cover		S-
1-3HBDGBA056WJSB SHARP BADGE		S-
1-4PSPAHA607WJZZMask Spacer, x2		S-
1-5PSPAHA608WJZZMask Spacer, x2		S-
1-6DUNTKD607FMVOR/C,LED Unit		R
1-7LHLDW1033PEZZWire Holder		S-
1-8PSPAHA786WJZZSpacer, x2		S-
1-9PSPAHA790WJZZSpacer, x2		S-
1-10QCNW/E233WJQZConnecting Cord (RA)		S-
1-11QCNW/E420WJQZWIRE ACNWC3760-01A (SP)S--		--
1-12RCORF0103CEZZCore for RA Wire		S-
1-13VSP3007PA014ASPEAKER		S-
1-15XEBS930P08000Screw, x2		S-
1-16XEBSN40P10000SCREW		S-
1-17QCNW/A548WJZZWIRE E07S406100		S-
1-18PSPAHA791WJZZSPACER 150x4,5		S-
1-19PSPAHA794WJZZSPACER 380x2,5		S-
1-20PSPAHA798WJZZSPACER 10x10		S-
1-21PSPA7B055WJZZSP NET SPACER		S-
1-22PSPA7B091WJZZSP SPACER		S-
1-23PSPA7B094WJZZSP WIRE SPACER		S-
1-24RCORF/A023WJZZFERRITE E04SR13052A		S-
1-26PSPAHA787WJZZSPACER 45x4,5		S-
1-27PSPAHA788WJZZSPACER 70x4,5		S-
1-28PSPAHA789WJZZSPACER 440x4,5		S-
1-29HPNC-A109WJASPEAKER PUNCHING		S-
2CCABBA715WJ01KS-CAB-B LC32G*9E		SAXBL
2-1	Not Available Rear Cabinet	--
2-2LHLDWA055WJKZWIRE Holder for AC-code		S-
2-3PSPAHA826WJZZSPACER 165x12x0,35		S-
2-4PSPAHA872WJZZSPACER 75x12 MM		S-
2-5PSPAHA879WJZZSPACER 190x12 MM		S-
2-6PSPAHA876WJZZSPACER 15x12 MM		S-
2-7PSPAHA873WJZZSPACER 250x12 MM		S-
2-8GCOVAB522WJKABOTTOM COVER		S-
2-9PSPAHA876WJZZSPACER 15x12 MM		S-
3CCOVAB480WJ01Top Cover Ass'y		SAKAW
3-1	Not Available Top Cover	--
3-2JBTN-A324WJKA Power Button		S-
3-3JBTN-A325WJKA Operation Button		S-
3-4MSPRCA068WJFW Power Button Spring		S-
3-5DUNTKD606FMV0KEY Unit		R
3-6XEBS930P08000Screw, x3		S-
3-7QCNW-E232WJQZConnecting Cord (KM)		R
4CDAI-A246WJ05KS-STAND BASE		SAXBL
4-1GDAI-A244WJSBSTAND SUPPORT		S-
4-1-1GCOVAB483WJSASupport Cover		S-
4-1-2GDAI-A244WJSBSTAND SUPPORT		S-
4-1-3HDECQA600WJKAScrew Guide, x4		S-
4-2CDAI-A246WJ03Stand Base Ass'y		S-
4-2-1GDAI-A246WJKBSStand Base Cover		S-
4-2-2LANGKA635WJZZBase Angle		S-
4-2-3PSPA7A949WJZZLEG Cushion A, x4		S-
4-2-4PSPA7A950WJZZLEG Cushion B, x4		S-
4-2-5XEBS740P10000Screw, x10		S-
4-3LX-BZA146WJF7Screw, x4		S-
4-4LX-BZA147WJF8Screw, x4		S-

REF No.	PARTS DESCRIPTION	*SN CODEX CODE
5R1LK315T3LZ4BZ32V LCD Panel Module Unit		R
6DUNTKD603FM04MAIN Unit		R
7DUNTKD604FM04AV Unit		R
8DUNTKD605FM01POWER Unit		R
11CKITKD608FM02TUNER PWB + TUNER		SASBD
12GCOVAB488WJKABottom Cover		SACAK
13HINDPB551WJSAMODEL INDICATOR (LC-32GA9I)S--		--
13HINDPB546WJSAModel Label (LC-32GA9I)		S-
13HINDPB547WJSAModel Label (LC-32GA9R)		S-
14LANGKA638WJFWLCD Angle A, x2		S-
15LANGKA639WJFWLCD Angle B, x2		S-
16LANGKA672WJFWLCD Angle C		S-
17LANGTA263WJFWCenter Angle L		S-
18LANGTA266WJFWStand Angle		S-
19LANGTA267WJFWCenter Angle R		S-
20LHLDW1173CEZZHolder, x3		S-
23QCNW-E237WJZConnecting Cord (LV)		S-
24QEARZA096WJFWTuner Earth Plate		S-
25RCORF0103CEZZCore for SP Wire		S-
28XBBS930P06000Screw, x10		S-
29XBPS730P06WS0Screw, x17		S-
30XEBS930P08000Screw, x3		S-
31XEBS940P16000Screw, x12		S-
32XEBSN40P10000Screw, x5		S-
33XJPS730P08WS0Screw, x14		S-
35QCNW-E234WJQZConnecting Cord (SH)		R
36QCNW-E235WJQZConnecting Cord (LA)		R
37QCNW-E399WJQZConnecting Cord (LB)		R
38	Not Available No. Label	--
39PFLT-A054WJZZEMC Sheet		S-
40PSLDMAB76WJFWMain Shield		R
41LHLDW1033CE00Holder		S-
42TLABZB033WJZZPOP Label		S-
43LCHSMA275WJZZChassis Plate		S-
44LHLDW1072GEZZHolder		S-
45LHLDW1164CEZZHolder		S-
46LHLDW1205CEZZHolder, x2		S-
47LHLDWA055WJKZHolder		S-
48LHLDWA137WJKZHolder, x2		S-
49PMLT-A315WJZZGasket, x2		S-
50PMLT-A316WJZZGasket		S-
51PSLDMAB98WJFWShield		S-
52PSPAHA796WJZZSpacer		S-
53PSPAHA797WJZZSpacer		S-
54QEARPA212WJFWEarth Plate		S-
55XBPS830P06000Screw		S-

CABINET AND MECHANICAL PARTS (LC-32GA9E)

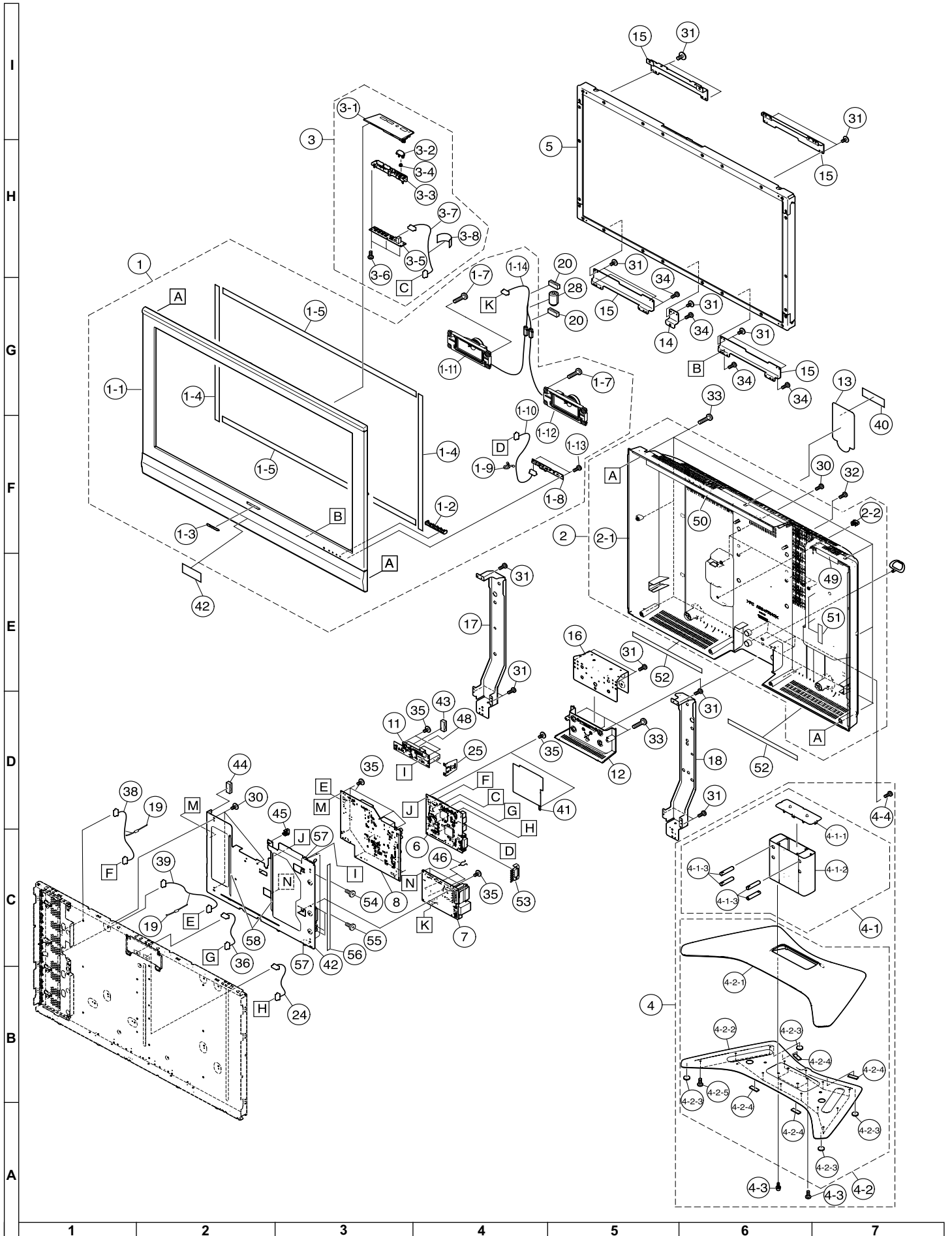


CABINET AND MECHANICAL PARTS LISTING
(LC-37GA9E/K/F/I/R)

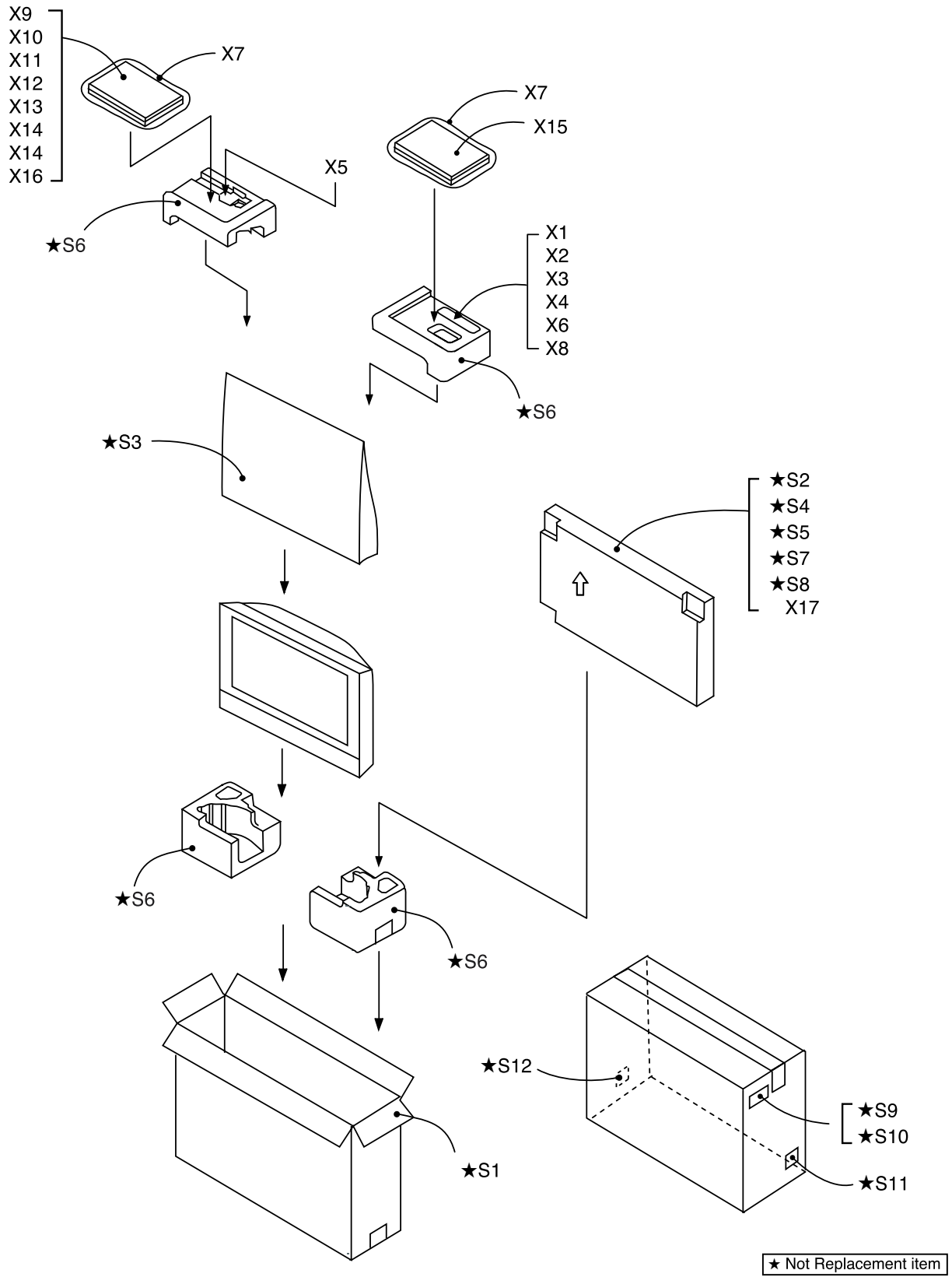
REF No.	PARTSDESCRIPTION	*SN CODEEX CODE
1CCABAB238WJ01KS-CAB-A LC37GA9E		SBCBT
1-1	Not AvailableFront Cabinet	--
1-2	GCOVAB478WJSALED Cover	S--
1-3	HBDGBA060WJSBSharp BADGE	S--
1-4	PSPAHA671WJZMask Spacer, x2	S--
1-5	PSPAHA692WJZMask Spacer, x2	S--
1-8	DUNTKD607FMVOR/C,LED Unit	R
1-9	LHLDW1033CE00Holder	S--
1-10	QCWN-E413WJQZConnecting Cord (RA)	S--
1-11	VSP3007PA014ASPEAKER	S--
1-13	XEBS930P08000Screw	S--
1-14	QCWN-E420WJQZWIRE ACNWC3760-01A (SP)S--	S--
1-15	QCWN-A548WJZZWIRE E07S406100	S--
1-16	PSPAHA788WJZZSPACER 70x4,5	
1-17	PSPAHA791WJZZSPACER 150x4,5	
1-18	PSPAHA792WJZZSPACER	
1-19	PSPAHA793WJZZSPACER	
1-20	PSPAHA795WJZZSPACER	
1-21	PSPAHA798WJZZSPACER 10x10	
1-22	PSPAZB056WJZZSPACER	
1-23	PSPAZB091WJZZSP SPACER	
1-24	PSPAZB094WJZZSP WIRE SPACER	
1-25	PSPAHA787WJZZSPACER 45x4,5	S--
1-26	PSPAHA786WJZZSPACER 120x4,5	S--
1-27	HPNC-A110WJASPEAKER PUNCHING	S--
2CCABBA716WJ01KS-CAB-B LC37GA9E		S--
2-1	Not AvailableRear Cabinet	--
2-2	LHLDWA055WJKZWire Holder for AC-code	S--
2-3	PSPAHA874WJZZSPACER 95x12 MM	S--
2-4	PSPAHA875WJZZSPACER 275x12 MM	S--
3CCOVAB480WJ01Top Cover Ass'y		SAKAW
3-1	Not AvailableTop Cover	--
3-2	JBTN-A324WJKAPower Button	S--
3-3	JBTN-A325WJKAOperation Button	S--
3-4	MSPRCA068WJFWPower Button Spring	S--
3-5	DUNTKD606FMV0KEY Unit	R
3-6	XEBS930P08000Screw, x3	S--
3-7	QCWN-E412WJQZConnecting Cord (KM)	R
3-8	PSHEFA018WJZZSheet	S--
4CDAI-A246WJ05KS-STAND BASE		SAXBL
4-1	CDAI-A244WJ02WS-STAND SUPPORT	S--
4-1-1	GCOVAB483WJASupport Cover	S--
4-1-2	CDAI-A244WJ02WS-STAND SUPPORT	S--
4-1-3	HDECQA600WJKAScrew Guide, x4	S--
4-2	CDAI-A246WJ03Stand Base Ass'y	S--
4-2-1	GDAl-A246WJKBStand Base Cover	S--
4-2-2	LANGKA635WJZZBase Angle	S--
4-2-3	PSPAZA949WJZZLEG Cushion A, x4	S--
4-2-4	PSPAZA950WJZZLEG Cushion B, x4	S--
4-2-5	XEBS740P10000Screw, x10	S--
4-3	LX-BZA146WJF7Screw, x4	S--
4-4	LX-BZA147WJF8Screw, x4	S--
5R1LK370T3LZ5BX37V LCD Panel Module Unit		R
6DUNTKD603FM05MAIN Unit		R
7DUNTKD604FM04AV Unit		R
8DUNTKD605FM03POWER Unit		R
11CKITKD608FM02TUNER PWB + TUNER		SASBD

REF No.	PARTSDESCRIPTION	*SN CODEEX CODE
12	GCOVAB522WJKABOTTOM COVER	SACAK
13	HINDPB554WJSAModel Label (LC-37GA9E/K/F)S--	--
13	HINDPB549WJSAModel Label (LC-37GA9I)	S--
13	HINDPB550WJSAModel Label (LC-37GA9R)	S--
14	LANGKA672WJFWLCD Angle C	S--
15	LANGKA675WJFWLCD Angle, x4	S--
16	LANGTA266WJFWStand Angle	S--
17	LANGTA268WJFWCenter Angle L	S--
18	LANGTA269WJFWCenter Angle R	S--
19	LHLDW1123GEZZHOLDER WIRE	S--
20	LHLDW1173CEZZHolder, x2	S--
24	QCWN-E237WJQZConnecting Cord (LV)	--
25	QEARZA096WJFWTuner Earth Plate	S--
28	RORF0103CEZZFERRITE E04SR170780	S--
29	RORFA023WJZZCore	S--
30	XBS930P06000Screw, x10	S--
31	XBPS730P06W50Screw, x17	S--
32	XBS930P08000Screw, x3	S--
33	XBS940P16000Screw, x12	S--
34	XBSN40P10000Screw, x5	S--
35	JPS730P08W50Screw, x2	S--
36	QCWN-E234WJQZConnecting Cord (SH)	R
38	QCWN-E415WJQZConnecting Cord (LA)	R
39	QCWN-E419WJQZConnecting Cord (LB)	R
40	Not AvailableNo. Label	--
41	PSLDMAB876WJFWMain Shield	R
42	LABZB051WJZZPOP LABEL	S--
43	CHSMA275WJZZChassis Plate	S--
44	LHLDW1072GEZZHolder	S--
45	LHLDW1205CEZZHolder,x2	S--
46	LHLDWA055WJKZHolder	S--
47	LHLDWA137WJKZHolder,x2	S--
49	PSLDMAB98WJZZShield	S--
52	PSPAHA826WJZZSpacer,x2	S--
54	QEARPA212WJFWEarth Plate	S--
55	XBPS830P06000Screw, x10	S--
56	XBS930P08000Screw, x3	S--
57	PSPAHA796WJZZspacer	S--
58	PSPAHA797WJZZspacer, x2	S--
59	PMLT-A315WJZZGasket, x2	S--

CABINET AND MECHANICAL PARTS (LC-37GA9E)



PACKING OF THE SET



SUPPLIED ACCESSORIES PARTS LISTING

REF No.	PARTSDESCRIPTION	*SN CODE	EX CODE
X1	LHLDW0110CESDCable Clamp	S---	
X2	LHLDWA083WJ00 Cable tie	S---	
⚠ X3	QACCKA007WJPZAC Cord (GA9E/F/I/R)	SADAM	
⚠ X3	QACCB021WJPZAC Cord (GA9K)	S---	
⚠ X3	QACCB054WJPZAC Cord (GA9K)	S---	
X4	QCNWGA075WJPZ3 RCA to 15-pin D-sub adapter	SAFAR	
X5	RRMCGA455WJSAR/C RRS1002-5704E	SAHAV	
X6	SSAKAA009WJZZ Polyethylene Bag	S---	
X7	SSAKAA010WJZZ Polyethylene Bag	S---	
X8	RCDRFA020WJZZ Core (for AC Cord)	S---	
X9	TCAUZA223WJZZ Caution Card	S---	
X10	TGAN-A077WJZZ Warranty Card (GA9R)	S---	
X10	TGAN-A342WJZZ Warranty Card (GA9K)	S---	
X11	TGAN-A512WJZZ AQUOS Care Plan (GA9K)	S---	
X12	SSAKAA010WJZZ Polyethylene Bag	S---	
X13	TINS-C167WJZZOWNERS MANUAL (SWEDISH)	SAHAV	
X14	TINS-C166WJZZOWNERS MANUAL (ENGLISH)	SAHAV	
X15	TINS-C168WJZZOWNERS MANUAL (POLISH)	SAGAS	
X16	TINS-C156WJZZ Operation Manual (RUSSIAN...) (GA9R) S---		
X17	UKOGLA001WJZZ Stand unit	S---	

PACKING PARTS LISTING

LC-32/37GA9E/K/F/I/R

S	DESCRIPTION	EX CODE
S1	SPAKCC363WJZZPACKING CASE LC32GA9E	----
S1	SPAKCC364WJZZPACKING CASE LC37GA9E	----
S2	SPAKFA916WJZZPacking Material	----
S3	SPAKPA382WJZZWrapping Paper(LC-32GA9)S	----
S3	SPAKPA338WJZZWrapping Paper(LC-37GA9)S	----
S4	SPAKPA601WJZZWrapping Paper	S----
S5	SPAKPA602WJZZWrapping Paper	S----
S6	SPAKXA921WJZZPACK-AD	S----
S6	SPAKXA922WJZZPACK-AD	S----
S7	SPAKXB006WJZZPACK-AD	S----
S8	SSAKHA020WJZZPolyethylene Bag	S----
S9	TLABKA002WJZZCase No. Label	S----
S10	TLABN0134BMZZSEES No. Label, x2	S----
S11	TLABSA050WJZZGreen Dot Label (LC-32/37GA9F)S	----
S12	TLABSA053WJZZGost Label(LC-32/37GA9R)S	----

**SERVICE JIGS
(USE FOR SERVICING)**

REF No.	PARTSDESCRIPTION	*SN CODE	EX CODE
EXTENSION CABLES			
	QCNW-E542WJZZ23pins Board to Board	J	
	QCNW-E543WJZZ9pins Board to Board	J	
	QCNW-E544WJZZ15pins Board to Board	J	
	QCNW-E546WJZZ7pins Board to Board	J	
	QCNW-C222WJZZExtension Cable 80pin FFC l-1000mm (Qty=2)J		AWAW
SOFTWARE UPGRADING JIG			
1	CKIT-0004WJV0P55 VCTP SOFT UPDATING WITH WIRE 20 TO 3SBCBT		
1.1	QPWBX0004WJZZP55 I2C INTERFACE PWB	S---	
1.2	QCNWGA100WJZZWIRE 20 TO 3 PIN SOFT UPDATING P55	SAMAY	
	2QCNWGA015WJPZCable adaptor (DB9 male to mini-Din 9 pin male)SAGAS		