

# PARTS LISTING

## REPLACEMENT PARTS

Replacement parts which have special safety characteristics are identified in this manual. Electrical components having such features are identified by  $\Delta$  in the Replacement Parts Listing.

The use of a substitute replacement part which does not have the same safety characteristics as the factory recommended is not permitted.

Replacement parts not shown in this service manual may create shock fire, or other hazards.

### HOW TO ORDER REPLACEMENT PARTS

To have your order completed promptly and correctly please supply the following information.

- |                 |                |
|-----------------|----------------|
| 1. MODEL NUMBER | 2. REF. NO.    |
| 3. PART NO.     | 4. DESCRIPTION |
| 5. CODE         | 6. QUANTITY    |

MARK #: SPARE PARTS DELIVERY SECTION

REF No.	PARTS	DESCRIPTION	* SN CODE	EX CODE
<b>LCD PANEL</b>				
NOTE : THE PARTS HERE SHOWN ARE SUPPLIED AS AN ASSEMBLY BUT NOT INDEPENDENTLY				
	R1LK255P3LZ10Z	26V LCD Panel Module Unit (LC-26P55E)	R	
	R1LK315P3LZ10Z	32V LCD Panel Module Unit (LC-32P55E)	R	
	R1LK370P3LZ10Z	37V LCD Panel Module Unit (LC-37P55E)	R	
<b>PRINTED WIRING BOARDS</b>				
	DUNTKD603FM01	MAIN Unit	R	
	DUNTKD604FM01	AV Unit	R	
	DUNTKD605FM01	POWER Unit (LC-32P55E)	R	
	DUNTKD605FM02	POWER Unit (LC-26P55E)	R	
	DUNTKD605FM03	POWER Unit (LC-37P55E)	R	
	DUNTKD606FMV0	KEY Unit	R	
	DUNTKD607FMV0	R/C,LED Unit	R	
	CKITKD608FM02	TUNER Unit	S	AS BD
<b>DUNTKD603FM01 MAIN Unit</b>				
<b>INTEGRATED CIRCUITS</b>				
IC1701	VHIBU4239G+1Y	BU4239G-TR	R	
IC1702	VHIPQ20WZ11-1Y	PQ20WZ1U	R	AF AF
IC1703	VHIPQ20WZ11-1Y	PQ20WZ1U	R	AF AF
IC1706	VHIMP1410ES-1Y	MP1410ES-LF-Z	R	AP AP
IC1707	VHIPQ20WZ11-1Y	PQ20WZ1U	R	AF AF
IC1708	VHIMP1410ES-1Y	MP1410ES-LF-Z	R	AP AP
IC1710	RH-iXB716WJZZQ	I.C.	R	
IC1901	VH24LC2BINDEX	24LC02B-I/SN	R	
IC1905	VHisi9021+1Q	SIL9021CTU	R	BC BC
IC2301	VHISL83220-1Y	ISL83220ECVZ	R	AQ AQ
IC2303	RH-iXB731WJZZS	BR24C21F-E2	R	
IC2701	VHITVHC153T-1Y	TC74VHC153FT	R	AE AE
IC2702	VHIMM1507XN-1Y	MM1507XNRE	R	AD AD
IC2704	VHICD4052BP-1Y	CD4052BPWR	R	AD AD
IC3001	VHIBR24L64F-1Y	BR24L64F-WE2	R	AK AK
IC3002	RH-iXB624WJZZQ	I.C.	R	
IC3003	RH-iXB664WJZZY	I.C.	R	
IC3005	VHIBU4215G+1Y	BU4215G-TR	R	
<b>TRANSISTORS</b>				
IC1704	VSSSM6J51TU-1Y	SSM6J51TU	R	
IC1705	VSSSM6J51TU-1Y	SSM6J51TU	R	
Q1701	VS2SC3928AR-1Y	2SC3928AR	R	AB AB
Q1702	VS2SA1530ARS1Y	2SA1530ARS	R	AC AC
Q1703	VS2SC3928AR-1Y	2SC3928AR	R	AB AB
Q1704	VS2SC3928AR-1Y	2SC3928AR	R	AB AB
Q1901	VS2SK536//I-1Y	2SK536	R	AE AE
Q1903	VS2SK536//I-1Y	2SK536	R	AE AE
Q1905	VSDTC144EEI-1Y	DTC144EE	R	AA AA
Q1907	VSDTC144EEI-1Y	DTC144EE	R	AA AA

REF No.	PARTS	DESCRIPTION	* SN CODE	EX CODE
Q1909	VSDTC144EEI-1Y	DTC144EE	R	AA AA
Q2701	VS3LN01S//I-1Y	3LN01S	R	AC AC
Q2702	VS3LN01S//I-1Y	3LN01S	R	AC AC
Q2703	VS2SC3928AR-1Y	2SC3928AR	R	AB AB
Q2704	VS2SC3928AR-1Y	2SC3928AR	R	AB AB
Q2705	VS2SC3928AR-1Y	2SC3928AR	R	AB AB
Q2706	VS2SC3928AR-1Y	2SC3928AR	R	AB AB
Q2707	VSDTC144EEI-1Y	DTC144EE	R	AA AA
Q2708	VSDTC144EEI-1Y	DTC144EE	R	AA AA
Q3003	VS3LN01S//I-1Y	3LN01S	R	AC AC
Q3004	VS3LN01S//I-1Y	3LN01S	R	AC AC
<b>DIODES</b>				
D1701	RH-EX1232CEZZY	Zener Diode, 3.3V	R	AB AB
D1702	RH-EX0487CEZZY	Zener Diode, 2.0V	R	AC AC
D1703	VHDSU119//I-1Y	HSU119	R	AB AB
D1704	VHDSFPA73//2EY	SFPA73	R	AD AD
D1705	VHDSU119//I-1Y	HSU119	R	AB AB
D1706	VHDSU119//I-1Y	HSU119	R	AB AB
D1707	RH-EX0487CEZZY	Zener Diode, 2.0V	R	AC AC
D1708	VHDSFPA73//2EY	SFPA73	R	AD AD
D1901	VHDDAN202K-1Y	DAN202K	R	AB AB
D1903	VHD1SS355//I-1Y	1SS355	R	AB AB
D1905	VHD1SS355//I-1Y	1SS355	R	AB AB
D2301	RH-EX1271CEZZY	Zener Diode, 12V	R	AB AB
D2302	RH-EX1271CEZZY	Zener Diode, 12V	R	AB AB
D2303	RH-EX1271CEZZY	Zener Diode, 12V	R	AB AB
D2304	RH-EX1271CEZZY	Zener Diode, 12V	R	AB AB
D2305	RH-EX1247CEZZY	Zener Diode, 5.6V	R	AB AB
D2306	RH-EX1247CEZZY	Zener Diode, 5.6V	R	AB AB
D2307	RH-EX1247CEZZY	Zener Diode, 5.6V	R	AB AB
D2308	RH-EX1247CEZZY	Zener Diode, 5.6V	R	AB AB
D2309	VHDDAN202K-1Y	DAN202K	R	AB AB
D2310	VHD1SS226//I-1Y	1SS226	R	AC AC
D2311	VHD1SS226//I-1Y	1SS226	R	AC AC
D2312	VHD1SS226//I-1Y	1SS226	R	AC AC
D2313	RH-EX1247CEZZY	Zener Diode, 5.6V	R	AB AB
<b>PACKAGED CIRCUITS</b>				
TH3002	VHHM1103J03-1Y	Thermistor	R	AC AC
X1901	RCRSCA108WJZZY	Crystal, 28.322MHz	R	AF AF
X3001	RCRSC0012CEZZY	Crystal, 20.25MHz	R	AH AH
<b>COILS AND FILTERS</b>				
FL2301	RFILN0003TAZZY	Filter	R	AD AD
FL2302	RFILN0003TAZZY	Filter	R	AD AD
FL2303	RFILN0003TAZZY	Filter	R	AD AD
L1701	RCILPA213WJZZY	Coil, 15uH	R	AG AG
L1702	RCILPA213WJZZY	Coil, 15uH	R	AG AG
L1901	RCILFA134WJZZY	Coil	R	AF AF
L1902	RCILFA134WJZZY	Coil	R	AF AF
L1903	RCILFA134WJZZY	Coil	R	AF AF
L1904	RCILFA134WJZZY	Coil	R	AF AF
L2301	RCILFA071WJZZY	Coil	R	AD AD
L2302	RCILFA071WJZZY	Coil	R	AD AD
L2303	RCILFA071WJZZY	Coil	R	AD AD
L2304	RCILFA071WJZZY	Coil	R	AD AD
L2305	RCILFA071WJZZY	Coil	R	AD AD
<b>CAPACITORS</b>				
C1702	VCKYCY1EF104ZY	Ceramic 0.1 25V	R	AA AA
C1706	RC-KZA070WJZZY	Ceramic 22 6.3V	R	AD AD
C1715	VCEASX1VN226MY	Electrolytic 22 35V	R	AC AC
C1716	VCEASX1CN226MY	Electrolytic 22 16V	R	AC AC
C1717	VCKYCY1HB272KY	Ceramic 2700p 50V	R	AA AA
C1718	VCKYCY1EF104ZY	Ceramic 0.1 25V	R	AA AA
C1720	VCEASX1CN226MY	Electrolytic 22 16V	R	AC AC

REF No.	PARTS	DESCRIPTION	* SN CODE	EX CODE
<b>DUNTKD603FM01</b>				
<b>MAIN Unit (Continued)</b>				
C1721	VCAAPD1AJ686MY	Electrolytic 68 10V	R AE	AE
C1723	RC-KZA073WJZZY	Ceramic 10 16V	R AD	AD
C1724	RC-KZA073WJZZY	Ceramic 10 16V	R AD	AD
C1726	RC-KZA070WJZZY	Ceramic 22 6.3V	R AD	AD
C1730	VCKYCY1HB272KY	Ceramic 270p 50V	R AA	AA
C1733	VCEASX1CN226MY	Electrolytic 22 16V	R AC	AC
C1734	VCKYCY1EF104ZY	Ceramic 0.1 25V	R AA	AA
C1735	VCAAPD1AJ686MY	Electrolytic 68 10V	R AE	AE
C1737	RC-KZA073WJZZY	Ceramic 10 16V	R AD	AD
C1738	RC-KZA073WJZZY	Ceramic 10 16V	R AD	AD
C1739	VCKYCY1EF104ZY	Ceramic 0.1 25V	R AA	AA
C1740	VCKYCY1EF104ZY	Ceramic 0.1 25V	R AA	AA
C1741	VCKYCY1EF104ZY	Ceramic 0.1 25V	R AA	AA
C1742	VCKYCY1EF104ZY	Ceramic 0.1 25V	R AA	AA
C1744	VCCCCY1HH101JY	Ceramic 100p 50V	R AA	AA
C1745	VCCCCY1HH101JY	Ceramic 100p 50V	R AA	AA
C1903	VCKYCY1EF104ZY	Ceramic 0.1 25V	R AA	AA
C1910	RC-KZA073WJZZY	Ceramic 10 16V	R AD	AD
C1912	VCKYCY1HB102KY	Ceramic 1000p 50V	R AA	AA
C1913	VCKYCY1HB102KY	Ceramic 1000p 50V	R AA	AA
C1916	VCKYCY1HB102KY	Ceramic 1000p 50V	R AA	AA
C1917	VCKYCY1HB102KY	Ceramic 1000p 50V	R AA	AA
C1918	RC-KZA073WJZZY	Ceramic 10 16V	R AD	AD
C1919	RC-KZA073WJZZY	Ceramic 10 16V	R AD	AD
C1921	RC-KZA073WJZZY	Ceramic 10 16V	R AD	AD
C1923	VCKYCY1HB102KY	Ceramic 1000p 50V	R AA	AA
C1924	VCKYCY1HB102KY	Ceramic 1000p 50V	R AA	AA
C1927	VCKYCY1HB102KY	Ceramic 1000p 50V	R AA	AA
C1928	VCKYCY1HB103KY	Ceramic 0.01 50V	R AA	AA
C1929	VCCCCY1HH120JY	Ceramic 12p 50V	R AA	AA
C1930	VCKYCY1HB102KY	Ceramic 1000p 50V	R AA	AA
C1931	RC-KZA073WJZZY	Ceramic 10 16V	R AD	AD
C1934	VCCCCY1HH120JY	Ceramic 12p 50V	R AA	AA
C1935	RC-KZA073WJZZY	Ceramic 10 16V	R AD	AD
C1936	VCKYCY1HB102KY	Ceramic 1000p 50V	R AA	AA
C1941	VCKYCY1HB102KY	Ceramic 1000p 50V	R AA	AA
C1943	VCKYCY1HB102KY	Ceramic 1000p 50V	R AA	AA
C1946	VCKYCY1HB102KY	Ceramic 1000p 50V	R AA	AA
C1947	VCKYCY1EF104ZY	Ceramic 0.1 25V	R AA	AA
C1948	VCKYCY1HB102KY	Ceramic 1000p 50V	R AA	AA
C1953	VCKYCY1EF104ZY	Ceramic 0.1 25V	R AA	AA
C1955	VCKYCY1HB102KY	Ceramic 1000p 50V	R AA	AA
C1956	VCKYCY1HB102KY	Ceramic 1000p 50V	R AA	AA
C1959	VCKYCY1EF104ZY	Ceramic 0.1 25V	R AA	AA
C1960	VCKYCY1HB102KY	Ceramic 1000p 50V	R AA	AA
C1965	VCKYCY1HB102KY	Ceramic 1000p 50V	R AA	AA
C1967	VCKYCY1HB102KY	Ceramic 1000p 50V	R AA	AA
C1968	VCKYCY1HB102KY	Ceramic 1000p 50V	R AA	AA
C1969	VCKYCY1HB102KY	Ceramic 1000p 50V	R AA	AA
C1971	VCKYCY1HB102KY	Ceramic 1000p 50V	R AA	AA
C1973	VCKYCY1HB102KY	Ceramic 1000p 50V	R AA	AA
C1974	VCKYCY1HB102KY	Ceramic 1000p 50V	R AA	AA
C1975	VCKYCY1HB102KY	Ceramic 1000p 50V	R AA	AA
C2301	VCKYCY1EF104ZY	Ceramic 0.1 25V	R AA	AA
C2302	VCKYCY1EF104ZY	Ceramic 0.1 25V	R AA	AA
C2303	VCKYCY1EF104ZY	Ceramic 0.1 25V	R AA	AA
C2304	VCKYCY1EF104ZY	Ceramic 0.1 25V	R AA	AA
C2305	VCKYCY1EF104ZY	Ceramic 0.1 25V	R AA	AA
C2306	VCEASX1CN106MY	Electrolytic 10 16V	R AC	AC
C2307	VCKYCY1EF104ZY	Ceramic 0.1 25V	R AA	AA
C2308	VCKYCY1HB104KY	Ceramic 0.1 50V	R AA	AA
C2309	VCKYCY1HB104KY	Ceramic 0.1 50V	R AA	AA
C2310	VCKYCY1HB104KY	Ceramic 0.1 50V	R AA	AA
C2311	RC-KZA214WJZZY	Ceramic 22 6.3V	R AD	AD

REF No.	PARTS	DESCRIPTION	* SN CODE	EX CODE
C2312	VCKYCY1EF104ZY	Ceramic 0.1 25V	R AA	AA
C2313	RC-KZA214WJZZY	Ceramic 22 6.3V	R AD	AD
C2701	VCKYCY1EF104ZY	Ceramic 0.1 25V	R AA	AA
C2702	VCCCCY1HH101JY	Ceramic 100p 50V	R AA	AA
C2703	VCCCCY1HH101JY	Ceramic 100p 50V	R AA	AA
C2704	VCCCCY1HH101JY	Ceramic 100p 50V	R AA	AA
C2705	VCCCCY1HH101JY	Ceramic 100p 50V	R AA	AA
C2706	VCEASX1HN105MY	Electrolytic 1 50V	R AB	AB
C2707	VCEASX1HN105MY	Electrolytic 1 50V	R AB	AB
C2708	VCEASX1HN105MY	Electrolytic 1 50V	R AB	AB
C2709	VCEASX1HN105MY	Electrolytic 1 50V	R AB	AB
C2710	VCKYTV1EB104KY	Ceramic 0.1 25V	R AB	AB
C2712	VCKYCY1EF104ZY	Ceramic 0.1 25V	R AA	AA
C2714	VCEASX1CN106MY	Electrolytic 10 16V	R AC	AC
C2715	VCKYCY1EF104ZY	Ceramic 0.1 25V	R AA	AA
C2718	VCKYCY1CF105ZY	Ceramic 1 16V	R AA	AA
C2719	VCKYCY1CF105ZY	Ceramic 1 16V	R AA	AA
C2722	VCKYCY1EF104ZY	Ceramic 0.1 25V	R AA	AA
C2723	VCKYCY1EF104ZY	Ceramic 0.1 25V	R AA	AA
C2724	VCKYCY1EF104ZY	Ceramic 0.1 25V	R AA	AA
C2725	VCKYCY1HB221KY	Ceramic 220p 50V	R AA	AA
C2726	VCKYTV1EB104KY	Ceramic 0.1 25V	R AB	AB
C2729	VCKYCY1HB104KY	Ceramic 0.1 50V	R AA	AA
C3001	VCKYCY1EF104ZY	Ceramic 0.1 25V	R AA	AA
C3002	RC-KZA073WJZZY	Ceramic 10 16V	R AD	AD
C3003	VCKYCY1EF104ZY	Ceramic 0.1 25V	R AA	AA
C3004	RC-KZA073WJZZY	Ceramic 10 16V	R AD	AD
C3005	RC-KZA073WJZZY	Ceramic 10 16V	R AD	AD
C3006	RC-KZA073WJZZY	Ceramic 10 16V	R AD	AD
C3007	VCKYCY1EF104ZY	Ceramic 0.1 25V	R AA	AA
C3008	VCKYCY1EF104ZY	Ceramic 0.1 25V	R AA	AA
C3009	VCKYCY1EF104ZY	Ceramic 0.1 25V	R AA	AA
C3010	RC-KZA073WJZZY	Ceramic 10 16V	R AD	AD
C3011	VCKYCY1EF104ZY	Ceramic 0.1 25V	R AA	AA
C3012	VCKYCY1EF104ZY	Ceramic 0.1 25V	R AA	AA
C3013	VCKYCY1EF104ZY	Ceramic 0.1 25V	R AA	AA
C3014	VCKYCY1HB104KY	Ceramic 0.1 50V	R AA	AA
C3015	VCKYCY1EF104ZY	Ceramic 0.1 25V	R AA	AA
C3016	VCKYCY1HB104KY	Ceramic 0.1 50V	R AA	AA
C3017	RC-KZA073WJZZY	Ceramic 10 16V	R AD	AD
C3018	VCKYCY1EF104ZY	Ceramic 0.1 25V	R AA	AA
C3019	VCKYCY1EF104ZY	Ceramic 0.1 25V	R AA	AA
C3020	VCKYCY1HB104KY	Ceramic 0.1 50V	R AA	AA
C3021	VCCCCY1HH560JY	Ceramic 56p 50V	R AB	AB
C3022	RC-KZA073WJZZY	Ceramic 10 16V	R AD	AD
C3023	VCKYCY1EF104ZY	Ceramic 0.1 25V	R AA	AA
C3024	VCKYCY1EF104ZY	Ceramic 0.1 25V	R AA	AA
C3025	VCKYCY1EF104ZY	Ceramic 0.1 25V	R AA	AA
C3027	RC-KZA073WJZZY	Ceramic 10 16V	R AD	AD
C3028	VCKYCY1EF104ZY	Ceramic 0.1 25V	R AA	AA
C3029	RC-KZA073WJZZY	Ceramic 10 16V	R AD	AD
C3030	VCKYCY1EF104ZY	Ceramic 0.1 25V	R AA	AA
C3031	RC-KZA073WJZZY	Ceramic 10 16V	R AD	AD
C3032	VCKYCY1EF104ZY	Ceramic 0.1 25V	R AA	AA
C3033	VCKYCY1EF104ZY	Ceramic 0.1 25V	R AA	AA
C3034	VCCCCY1HH220JY	Ceramic 22p 50V	R AA	AA
C3035	RC-KZA073WJZZY	Ceramic 10 16V	R AD	AD
C3036	RC-KZA073WJZZY	Ceramic 10 16V	R AD	AD
C3037	VCKYCY1EF104ZY	Ceramic 0.1 25V	R AA	AA
C3038	VCKYCY1EF104ZY	Ceramic 0.1 25V	R AA	AA
C3039	VCCCCY1HH220JY	Ceramic 22p 50V	R AA	AA
C3040	RC-KZA073WJZZY	Ceramic 10 16V	R AD	AD
C3041	RC-KZA073WJZZY	Ceramic 10 16V	R AD	AD
C3042	VCKYCY1EF104ZY	Ceramic 0.1 25V	R AA	AA
C3044	VCKYCY1HB103KY	Ceramic 0.01 50V	R AA	AA
C3045	VCKYCY1HB103KY	Ceramic 0.01 50V	R AA	AA
C3046	VCEAEA1CW106M	ELEC C 10UF 20% 16V	R	

REF No.	PARTS	DESCRIPTION	* SN CODE	EX CODE	REF No.	PARTS	DESCRIPTION	* SN CODE	EX CODE
<b>DUNTKD603FM01</b>					R1914	VRS-CJ1JF100JY	Metal Oxide 10 1/16W	R	AA AA
<b>MAIN Unit (Continued)</b>					R1917	VRS-CY1JF103JY	Metal Oxide 10k 1/16W	R	AA AA
C3338	VCEASX0JN476MY	Electrolytic 47 6.3V	R	AC AC	R1919	VRS-CY1JF100JY	Metal Oxide 10 1/16W	R	AA AA
C3340	VCEASX0JN476MY	Electrolytic 47 6.3V	R	AC AC	R1920	VRS-CH1JF100JY	Metal Oxide 10 1/16W	R	AA AA
<b>RESISTORS</b>					R1921	VRS-CH1JF100JY	Metal Oxide 10 1/16W	R	AA AA
R1701	VRS-CY1JF562JY	Metal Oxide 5.6k 1/16W	R	AA AA	R1922	VRS-CH1JF100JY	Metal Oxide 10 1/16W	R	AA AA
R1702	VRS-CY1JF103JY	Metal Oxide 10k 1/16W	R	AA AA	R1923	VRS-CH1JF100JY	Metal Oxide 10 1/16W	R	AA AA
R1703	VRS-TW2ED561JY	Metal Oxide 560 1/4W	R	AA AA	R1924	VRS-CH1JF100JY	Metal Oxide 10 1/16W	R	AA AA
R1704	VRS-CY1JF000JY	Metal Oxide 0 1/16W	R	AA AA	R1925	VRS-CH1JF100JY	Metal Oxide 10 1/16W	R	AA AA
R1705	VRS-CY1JF000JY	Metal Oxide 0 1/16W	R	AA AA	R1926	VRS-CY1JF472JY	Metal Oxide 4.7k 1/16W	R	AA AA
R1706	VRS-CY1JF333JY	Metal Oxide 33k 1/16W	R	AA AA	R1927	VRS-CH1JF100JY	Metal Oxide 10 1/16W	R	AA AA
R1707	VRS-CY1JF000JY	Metal Oxide 0 1/16W	R	AA AA	R1928	VRS-CY1JF223JY	Metal Oxide 22k 1/16W	R	AA AA
R1709	VRS-CY1JF103JY	Metal Oxide 10k 1/16W	R	AA AA	R1929	VRS-CY1JF472JY	Metal Oxide 4.7k 1/16W	R	AA AA
R1713	VRS-CY1JF562JY	Metal Oxide 5.6k 1/16W	R	AA AA	R1930	VRS-CY1JF910FY	Metal Oxide 91 1/16W	R	AA AA
R1714	VRS-CY1JF000JY	Metal Oxide 0 1/16W	R	AA AA	R1931	VRS-CY1JF910FY	Metal Oxide 91 1/16W	R	AA AA
R1715	VRS-CY1JF470JY	Metal Oxide 47 1/16W	R	AA AA	R1932	VRS-CY1JF105JY	Metal Oxide 1M 1/16W	R	AA AA
R1716	VRS-CY1JF562JY	Metal Oxide 5.6k 1/16W	R	AA AA	R1933	VRS-CY1JF152JY	Metal Oxide 1.5k 1/16W	R	AA AA
R1717	VRS-CY1JF470JY	Metal Oxide 47 1/16W	R	AA AA	R1934	VRS-CJ1JF101JY	Metal Oxide 100 1/16W	R	AA AA
R1718	VRS-CY1JF470JY	Metal Oxide 47 1/16W	R	AA AA	R1935	VRS-CY1JF330JY	Metal Oxide 33 1/16W	R	AA AA
R1719	VRS-CY1JF622FY	Metal Oxide 6.2k 1/16W	R	AA AA	R1936	VRS-CY1JF330JY	Metal Oxide 33 1/16W	R	AA AA
R1720	VRS-CY1JF103JY	Metal Oxide 10k 1/16W	R	AA AA	R1937	VRS-CY1JF103JY	Metal Oxide 10k 1/16W	R	AA AA
R1721	VRS-CY1JF562FY	Metal Oxide 5.6k 1/16W	R	AA AA	R2301	VRS-CY1JF000JY	Metal Oxide 0 1/16W	R	AA AA
R1722	VRS-CY1JF103JY	Metal Oxide 10k 1/16W	R	AA AA	R2302	VRS-CH1JF103JY	Metal Oxide 10k 1/16W	R	AA AA
R1723	VRS-CY1JF622FY	Metal Oxide 6.2k 1/16W	R	AA AA	R2305	VRS-CH1JF103JY	Metal Oxide 10k 1/16W	R	AA AA
R1724	VRS-CY1JF101JY	Metal Oxide 100 1/16W	R	AA AA	R2307	VRS-CJ1JF101JY	Metal Oxide 100 1/16W	R	AA AA
R1726	VRS-CY1JF511FY	Metal Oxide 510 1/16W	R	AA AA	R2309	VRS-CY1JF472JY	Metal Oxide 4.7k 1/16W	R	AA AA
R1727	VRS-CY1JF332JY	Metal Oxide 3.3k 1/16W	R	AA AA	R2313	VRS-CY1JF100JY	Metal Oxide 10 1/16W	R	AA AA
R1728	VRS-CY1JF332JY	Metal Oxide 3.3k 1/16W	R	AA AA	R2314	VRS-CY1JF103JY	Metal Oxide 10k 1/16W	R	AA AA
R1729	VRS-CY1JF202FY	Metal Oxide 2k 1/16W	R	AA AA	R2315	VRS-CJ1JF101JY	Metal Oxide 100 1/16W	R	AA AA
R1730	VRS-CY1JF470JY	Metal Oxide 47 1/16W	R	AA AA	R2321	VRS-CY1JF000JY	Metal Oxide 0 1/16W	R	AA AA
R1731	VRS-CY1JF102JY	Metal Oxide 1k 1/16W	R	AA AA	R2322	VRS-TW2ED750JY	Metal Oxide 75 1/4W	R	AA AA
R1732	VRS-CY1JF202FY	Metal Oxide 2k 1/16W	R	AA AA	R2324	VRS-TW2ED750JY	Metal Oxide 75 1/4W	R	AA AA
R1733	VRS-CY1JF101JY	Metal Oxide 100 1/16W	R	AA AA	R2325	VRS-TW2ED750JY	Metal Oxide 75 1/4W	R	AA AA
R1734	VRS-CY1JF222FY	Metal Oxide 2.2k 1/16W	R	AA AA	R2326	VRS-CY1JF102JY	Metal Oxide 1k 1/16W	R	AA AA
R1735	VRS-CY1JF202FY	Metal Oxide 2k 1/16W	R	AA AA	R2329	VRS-CY1JF103JY	Metal Oxide 10k 1/16W	R	AA AA
R1736	VRS-CY1JF102JY	Metal Oxide 1k 1/16W	R	AA AA	R2332	VRS-CY1JF473JY	Metal Oxide 47k 1/16W	R	AA AA
R1737	VRS-CY1JF562JY	Metal Oxide 5.6k 1/16W	R	AA AA	R2333	VRS-CH1JF101JY	Metal Oxide 100 1/16W	R	AA AA
R1739	VRS-TW2HF1R0JY	Metal Oxide 1 1/2W	R	AA AA	R2334	VRS-CY1JF103FY	Metal Oxide 10k 1/16W	R	AA AA
R1740	VRS-TW2HF1R0JY	Metal Oxide 1 1/2W	R	AA AA	R2335	VRS-CY1JF102JY	Metal Oxide 1k 1/16W	R	AA AA
R1741	VRS-TW2HF1R0JY	Metal Oxide 1 1/2W	R	AA AA	R2339	VRS-CY1JF102FY	Metal Oxide 1k 1/16W	R	AA AA
R1742	VRS-TW2HF1R0JY	Metal Oxide 1 1/2W	R	AA AA	R2341	VRS-CY1JF393FY	Metal Oxide 39k 1/16W	R	AA AA
R1743	VRS-CY1JF101JY	Metal Oxide 100 1/16W	R	AA AA	R2342	VRS-CY1JF103JY	Metal Oxide 10k 1/16W	R	AA AA
R1744	VRS-CY1JF562FY	Metal Oxide 5.6k 1/16W	R	AA AA	R2343	VRS-CY1JF102FY	Metal Oxide 1k 1/16W	R	AA AA
R1745	VRS-CY1JF132JY	Metal Oxide 1.3k 1/16W	R	AG AG	R2702	VRS-CJ1JF101JY	Metal Oxide 100 1/16W	R	AA AA
R1746	VRS-CY1JF202JY	Metal Oxide 2k 1/16W	R	AA AA	R2703	VRS-CJ1JF473JY	Metal Oxide 47k 1/16W	R	AB AB
R1747	VRS-CY1JF511FY	Metal Oxide 510 1/16W	R	AA AA	R2704	VRS-CJ1JF103JY	Metal Oxide 10k 1/16W	R	AA AA
R1748	VRS-CY1JF202FY	Metal Oxide 2k 1/16W	R	AA AA	R2706	VRS-CJ1JF224JY	Metal Oxide 220k 1/16W	R	
R1752	VRS-CY1JF470JY	Metal Oxide 47 1/16W	R	AA AA	R2707	VRS-CJ1JF224JY	Metal Oxide 220k 1/16W	R	
R1753	VRS-CY1JF622FY	Metal Oxide 6.2k 1/16W	R	AA AA	R2708	VRS-CH1JF104JY	Metal Oxide 100k 1/16W	R	AA AA
R1754	VRS-CY1JF622FY	Metal Oxide 6.2k 1/16W	R	AA AA	R2709	VRS-CH1JF104JY	Metal Oxide 100k 1/16W	R	AA AA
R1755	VRS-CY1JF562JY	Metal Oxide 5.6k 1/16W	R	AA AA	R2710	VRS-CJ1JF103JY	Metal Oxide 10k 1/16W	R	AA AA
R1757	VRS-TW2HF1R0JY	Metal Oxide 1 1/2W	R	AA AA	R2711	VRS-CJ1JF103JY	Metal Oxide 10k 1/16W	R	AA AA
R1758	VRS-TW2HF1R0JY	Metal Oxide 1 1/2W	R	AA AA	R2712	VRS-CJ1JF472JY	Metal Oxide 4.7k 1/16W	R	AA AA
R1759	VRS-TW2HF1R0JY	Metal Oxide 1 1/2W	R	AA AA	R2713	VRS-CJ1JF472JY	Metal Oxide 4.7k 1/16W	R	AA AA
R1760	VRS-TW2HF1R0JY	Metal Oxide 1 1/2W	R	AA AA	R2714	VRS-CY1JF101JY	Metal Oxide 100 1/16W	R	AA AA
R1761	VRS-CY1JF101JY	Metal Oxide 100 1/16W	R	AA AA	R2716	VRS-CJ1JF103JY	Metal Oxide 10k 1/16W	R	AA AA
R1762	VRS-CY1JF220JY	Metal Oxide 22 1/16W	R	AA AA	R2718	VRS-CY1JF000JY	Metal Oxide 0 1/16W	R	AA AA
R1763	VRS-CY1JF220JY	Metal Oxide 22 1/16W	R	AA AA	R2722	VRS-CY1JF000JY	Metal Oxide 0 1/16W	R	AA AA
R1764	VRS-CY1JF220JY	Metal Oxide 22 1/16W	R	AA AA	R3002	VRS-CY1JF220JY	Metal Oxide 22 1/16W	R	AA AA
R1901	VRS-CY1JF272JY	Metal Oxide 2.7k 1/16W	R	AA AA	R3003	VRS-CY1JF103JY	Metal Oxide 10k 1/16W	R	AA AA
R1903	VRS-CY1JF152JY	Metal Oxide 1.5k 1/16W	R	AA AA	R3004	VRS-CJ1JF101JY	Metal Oxide 100 1/16W	R	AA AA
R1906	VRS-CY1JF473JY	Metal Oxide 47k 1/16W	R	AA AA	R3005	VRS-CJ1JF472JY	Metal Oxide 4.7k 1/16W	R	AA AA
R1908	VRS-CY1JF103JY	Metal Oxide 10k 1/16W	R	AA AA	R3006	VRS-CY1JF472JY	Metal Oxide 4.7k 1/16W	R	AA AA
R1911	VRS-CJ1JF474JY	Metal Oxide 470k 1/16W	R		R3007	VRS-CY1JF622JY	Metal Oxide 6.2k 1/16W	R	AA AA
R1913	VRS-CJ1JF473JY	Metal Oxide 47k 1/16W	R	AB AB	R3008	VRS-CJ1JF472JY	Metal Oxide 4.7k 1/16W	R	AA AA
					R3009	VRS-CJ1JF101JY	Metal Oxide 100 1/16W	R	AA AA

REF No.	PARTS	DESCRIPTION	* SN CODE	EX CODE
<b>DUNTKD603FM01</b>				
<b>MAIN Unit (Continued)</b>				
R3010	VRS-CY1JF472JY	Metal Oxide 4.7k 1/16W	R AA	AA
R3012	VRS-CY1JF103JY	Metal Oxide 10k 1/16W	R AA	AA
R3013	VRS-CY1JF103JY	Metal Oxide 10k 1/16W	R AA	AA
R3306	VRS-CY1JF220JY	Metal Oxide 22 1/16W	R AA	AA
R3307	VRS-CY1JF220JY	Metal Oxide 22 1/16W	R AA	AA
R3308	VRS-CY1JF220JY	Metal Oxide 22 1/16W	R AA	AA
RJ3017	VRS-CY1JF472JY	Metal Oxide 4.7k 1/16W	R AA	AA
<b>MISCELLANEOUS PARTS</b>				
FB1701	RBLN-0250TAZZY	Ferrite Beads	R AC	AC
FB1702	RBLN-0250TAZZY	Ferrite Beads	R AC	AC
FB1901	RBLN-0060TAZZY	Ferrite Beads	R AB	AB
FB1903	RBLN-0060TAZZY	Ferrite Beads	R AB	AB
FB1904	RBLN-0060TAZZY	Ferrite Beads	R AB	AB
FB1905	RBLN-0060TAZZY	Ferrite Beads	R AB	AB
FB1906	RBLN-0060TAZZY	Ferrite Beads	R AB	AB
FB1907	RBLN-0210TAZZY	Ferrite Beads	R AB	AB
FB1908	RBLN-0060TAZZY	Ferrite Beads	R AB	AB
FB1909	RBLN-0210TAZZY	Ferrite Beads	R AB	AB
FB2301	RBLN-0061TAZZY	Ferrite Beads	R AD	AD
FB2302	RBLN-0061TAZZY	Ferrite Beads	R AD	AD
FB2303	RBLN-0210TAZZY	Ferrite Beads	R AB	AB
FB2304	RBLN-0210TAZZY	Ferrite Beads	R AB	AB
FB2305	RBLN-0061TAZZY	Ferrite Beads	R AD	AD
FB2306	RBLN-0061TAZZY	Ferrite Beads	R AD	AD
FB2307	RBLN-0061TAZZY	Ferrite Beads	R AD	AD
FB2308	RBLN-0061TAZZY	Ferrite Beads	R AD	AD
FB2309	RBLN-0061TAZZY	Ferrite Beads	R AD	AD
FB2310	RBLN-0210TAZZY	Ferrite Beads	R AB	AB
FB2701	RBLN-0254TAZZY	Ferrite Beads	R AB	AB
FB2702	RBLN-0254TAZZY	Ferrite Beads	R AB	AB
FB2703	RBLN-0254TAZZY	Ferrite Beads	R AB	AB
FB2704	RBLN-0061TAZZY	Ferrite Beads	R AD	AD
FB2705	RBLN-0061TAZZY	Ferrite Beads	R AD	AD
FB2706	RBLN-0061TAZZY	Ferrite Beads	R AD	AD
FB2707	RBLN-0061TAZZY	Ferrite Beads	R AD	AD
FB2708	RBLN-0061TAZZY	Ferrite Beads	R AD	AD
FB2709	RBLN-0061TAZZY	Ferrite Beads	R AD	AD
FB2710	RBLN-0061TAZZY	Ferrite Beads	R AD	AD
FB2711	RBLN-0061TAZZY	Ferrite Beads	R AD	AD
FB2712	RBLN-0254TAZZY	Ferrite Beads	R AB	AB
FB2715	RBLN-0210TAZZY	Ferrite Beads	R AB	AB
FB3001	RBLN-0254TAZZY	Ferrite Beads	R AB	AB
FB3002	RBLN-0254TAZZY	Ferrite Beads	R AB	AB
FB3003	RBLN-0254TAZZY	Ferrite Beads	R AB	AB
FB3004	RBLN-0254TAZZY	Ferrite Beads	R AB	AB
FB3005	RBLN-0254TAZZY	Ferrite Beads	R AB	AB
FB3006	RBLN-0254TAZZY	Ferrite Beads	R AB	AB
FB3007	RBLN-0254TAZZY	Ferrite Beads	R AB	AB
FB3008	RBLN-0254TAZZY	Ferrite Beads	R AB	AB
FB3009	RBLN-0254TAZZY	Ferrite Beads	R AB	AB
FB3010	RBLN-0254TAZZY	Ferrite Beads	R AB	AB
FB3011	RBLN-0254TAZZY	Ferrite Beads	R AB	AB
FB3012	RBLN-0254TAZZY	Ferrite Beads	R AB	AB
FB3013	RBLN-0254TAZZY	Ferrite Beads	R AB	AB
FB3014	RBLN-0254TAZZY	Ferrite Beads	R AB	AB
FB3015	RBLN-0254TAZZY	Ferrite Beads	R AB	AB
FB3016	RBLN-0254TAZZY	Ferrite Beads	R AB	AB
FB3307	RBLN-0061TAZZY	Ferrite Beads	R AD	AD
FB3308	RBLN-0061TAZZY	Ferrite Beads	R AD	AD
J2701	QJAKEA073WJZZ	Jack, 3pin (HDMI INPUT)	R AD	AD
J2702	QJAKEA073WJZZ	Jack, 3pin (RGB input)	R AD	AD
LUG1701	QLUGHA006WJZZY	Lug	R AC	AC
LUG1702	QLUGHA006WJZZY	Lug	R AC	AC

REF No.	PARTS	DESCRIPTION	* SN CODE	EX CODE
LUG1703	QLUGHA006WJZZY	Lug	R AC	AC
LUG1704	QLUGHA006WJZZY	Lug	R AC	AC
LUG1705	QLUGZA002WJZZY	Lug	R AC	AC
LUG1706	QLUGZA002WJZZY	Lug	R AC	AC
LUG1707	QLUGZA002WJZZY	Lug	R AC	AC
LUG1708	QLUGZA002WJZZY	Lug	R AC	AC
LUG1709	QLUGZA002WJZZY	Lug	R AC	AC
P1701	QPLGNA342WJZZY	Plug, 8pin (LB)	R AD	AD
P1702	QPLGN1075TAZZY	Plug	R AD	AD
P2301	QPLGNA341WJZZY	Plug, 7pin (SH)	R AD	AD
P2302	QPLGNA337WJZZY	Plug, 3pin (KM) (to KEY)	R AC	AC
P2303	QPLGNA344WJZZY	Plug, 10pin (RA) (to LED/IR/OPC)	R AD	AD
P2305	QPLGNA493WJZZY	Plug, 32pin (LV)	R AM	AM
P2306	QPLGN0565FJZZY	Plug, 3pin	R AE	AE
SC1701	QCNCWA251WJZZY	Connector, 23pin (to POWER)	R AH	AH
SC1702	QCNCWA248WJZZY	Connector, 9pin (to POWER)	R AD	AD
SC1901	QSOCZA117WJZZQ	Socket, 23pin	R	
SC2301	QSOCDA036WJZZ	Socket, 12pin	R AF	AF
SC2303	QSOCNA229WJZZ	Socket, 17pin	R AH	AH
SC2702	QCNCWA251WJZZY	Connector, 23pin (to AV)	R AH	AH
SC2703	QCNCWA251WJZZY	Connector, 23pin (to AV)	R AH	AH
SC2704	QCNCWA251WJZZY	Connector, 23pin (to AV)	R AH	AH
SC2705	QCNCWA010WJZZY	Connector, 15pin (to TUNER)	R AE	AE
	PSLDMA876WJFW	Shield	R	
<b>DUNTKD604FM01</b>				
<b>AV Unit</b>				
<b>INTEGRATED CIRCUITS</b>				
IC301	VHITDA8931T-1Y	I.C.	R	
IC302	VHITDA8931T-1Y	I.C.	R	
IC303	VHINJM4558M-1Y	NJM4558M	R AD	AD
IC1101	VHIMM1506XN-1Y	MM1506XNRE	R AD	AD
IC1102	VHIMM1506XN-1Y	MM1506XNRE	R AD	AD
IC1201	VHIMM1507XN-1Y	MM1507XNRE	R AD	AD
<b>TRANSISTORS</b>				
Q301	VS2SC3928AR-1Y	2SC3928AR	R AB	AB
Q302	VS2SC3928AR-1Y	2SC3928AR	R AB	AB
Q303	VSDTC314TK-1Y	DTC314TK	R AC	AC
Q304	VSDTC314TK-1Y	DTC314TK	R AC	AC
Q305	VS2SC3928AR-1Y	2SC3928AR	R AB	AB
Q306	VS2SC3928AR-1Y	2SC3928AR	R AB	AB
Q307	VS2SA1530AR-1Y	2SA1530AR	R AB	AB
Q1101	VSDTC314TK-1Y	DTC314TK	R AC	AC
Q1102	VSDTC314TK-1Y	DTC314TK	R AC	AC
Q1103	VS2SA1530AR-1Y	2SA1530AR	R AB	AB
Q1104	VS2SA1530AR-1Y	2SA1530AR	R AB	AB
Q1105	VSDTC314TK-1Y	DTC314TK	R AC	AC
Q1106	VSDTC314TK-1Y	DTC314TK	R AC	AC
Q1107	VS2SA1530AR-1Y	2SA1530AR	R AB	AB
Q1108	VS2SA1530AR-1Y	2SA1530AR	R AB	AB
Q1201	VS2SA1530AR-1Y	2SA1530AR	R AB	AB
Q1202	VS2SA1530AR-1Y	2SA1530AR	R AB	AB
Q1203	VSDTC314TK-1Y	DTC314TK	R AC	AC
Q1204	VSDTC314TK-1Y	DTC314TK	R AC	AC
<b>DIODES</b>				
D301	RH-EXA092WJZZY	Zener Diode, 12V	R AB	AB
D302	RH-EXA092WJZZY	Zener Diode, 12V	R AB	AB
D303	RH-EXA092WJZZY	Zener Diode, 12V	R AB	AB
D304	RH-EXA092WJZZY	Zener Diode, 12V	R AB	AB
D305	RH-EXA092WJZZY	Zener Diode, 4.3V	R AB	AB
D306	VHD1SS390+-1Y	1SS390	R AB	AB
D307	VHD1SS390+-1Y	1SS390	R AB	AB
D308	VHD1SS390+-1Y	1SS390	R AB	AB
D309	VHD1SS390+-1Y	1SS390	R AB	AB
D310	VHD1SS390+-1Y	1SS390	R AB	AB

REF No.	PARTS	DESCRIPTION	* SN CODE	EX CODE	REF No.	PARTS	DESCRIPTION	* SN CODE	EX CODE
<b>DUNTKD604FM01</b>									
<b>AV Unit (Continued)</b>									
D311	RH-EXA103WJZZY	Zener Diode	R		C317	VCCCCY1HH330JY	Ceramic 33p 50V	R	AA AA
D312	RH-EXA103WJZZY	Zener Diode	R		C318	VCCCCY1HH470JY	Ceramic 47p 50V	R	AA AA
D313	RH-EX1393CEZZY	Zener Diode	R	AB AB	C319	VCCCCY1HH470JY	Ceramic 47p 50V	R	AA AA
D314	RH-EXA101WJZZY	Zener Diode	R	AB AB	C320	VCEASX1HN225MY	Electrolytic 2.2 50V	R	AB AB
D315	RH-EXA101WJZZY	Zener Diode	R	AB AB	C321	VCEASX1HN225MY	Electrolytic 2.2 50V	R	AB AB
D316	RH-EXA101WJZZY	Zener Diode	R	AB AB	C322	VCKYCY1HF224ZY	Ceramic 0.22 50V	R	AA AA
D317	RH-EXA101WJZZY	Zener Diode	R	AB AB	C323	VCKYCY1HF224ZY	Ceramic 0.22 50V	R	AA AA
D1101	RH-EXA094WJZZY	Zener Diode	R	AB AB	C324	VCEASX1HN106MY	Electrolytic 10 50V	R	AC AC
D1102	RH-EXA088WJZZY	Zener Diode, 10V	R		C325	VCEASX1HN106MY	Electrolytic 10 50V	R	AC AC
D1103	RH-EXA088WJZZY	Zener Diode, 10V	R		C326	VCKYCY1HB153KY	Ceramic 0.015 50V	R	AA AA
D1104	RH-EXA094WJZZY	Zener Diode	R	AB AB	C327	VCKYCY1HB153KY	Ceramic 0.015 50V	R	AA AA
D1105	RH-EXA093WJZZY	Zener Diode, 13V	R	AB AB	C328	VCEASX1HN225MY	Electrolytic 2.2 50V	R	AB AB
D1106	RH-EX1393CEZZY	Zener Diode	R	AB AB	C329	VCEASX1HN225MY	Electrolytic 2.2 50V	R	AB AB
D1107	RH-EX1393CEZZY	Zener Diode	R	AB AB	C330	VCEA0A1VW477M+	Electrolytic 470 35V	R	AB AB
D1108	RH-EXA093WJZZY	Zener Diode, 13V	R	AB AB	C331	VCEA0A1VW477M+	Electrolytic 470 35V	R	AB AB
D1109	RH-EX1398CEZZY	Zener Diode	R	AB AB	C332	VCKYCY1HB221KY	Ceramic 220p 50V	R	AA AA
D1110	RH-EX1398CEZZY	Zener Diode	R	AB AB	C333	VCKYCY1HB221KY	Ceramic 220p 50V	R	AA AA
D1111	RH-EX1398CEZZY	Zener Diode	R	AB AB	C334	VCKYCY1HB221KY	Ceramic 220p 50V	R	AA AA
D1112	RH-EX1398CEZZY	Zener Diode	R	AB AB	C335	VCKYCY1HB221KY	Ceramic 220p 50V	R	AA AA
D1113	RH-EX1393CEZZY	Zener Diode	R	AB AB	C336	VCEASX1HN105MY	Electrolytic 1 50V	R	AB AB
D1114	RH-EX1393CEZZY	Zener Diode	R	AB AB	C337	VCEASX1HN105MY	Electrolytic 1 50V	R	AB AB
D1115	RH-EX1393CEZZY	Zener Diode	R	AB AB	C338	RC-EZA513WJZZ	470 50V	R	
D1116	RH-EX1393CEZZY	Zener Diode	R	AB AB	C339	RC-EZA513WJZZ	470 50V	R	
D1117	RH-EX1393CEZZY	Zener Diode	R	AB AB	C340	VCKYTV1EB224KY	Ceramic 0.22 25V	R	AA AA
D1118	RH-EXA088WJZZY	Zener Diode	R		C341	VCKYTV1EB224KY	Ceramic 0.22 25V	R	AA AA
D1119	RH-EXA088WJZZY	Zener Diode	R		C342	VCFYFA1HA334J+	0.33 50V	R	AB AB
D1120	RH-EXA088WJZZY	Zener Diode	R		C343	VCFYFA1HA334J+	0.33 50V	R	AB AB
D1121	RH-EXA088WJZZY	Zener Diode	R		C344	VCEASX1HN105MY	Electrolytic 1 50V	R	AB AB
D1122	RH-EXA088WJZZY	Zener Diode	R		C345	VCEASX1HN105MY	Electrolytic 1 50V	R	AB AB
D1123	RH-EXA088WJZZY	Zener Diode	R		C346	VCEASX1HN105MY	Electrolytic 1 50V	R	AB AB
D1201	RH-EX1239CEZZY	Zener Diode	R	AB AB	C347	VCEASX1HN105MY	Electrolytic 1 50V	R	AB AB
<b>COILS AND FILTERS</b>									
FL1101	RFILN0017TAZZY	Filter	R	AC AC	C348	VCEASX1VN226MY	Electrolytic 22 35V	R	AC AC
FL1102	RFILN0017TAZZY	Filter	R	AC AC	C349	VCEASX1VN226MY	Electrolytic 22 35V	R	AC AC
FL1103	RFILN0017TAZZY	Filter	R	AC AC	C350	VCKYCY1HB102KY	Ceramic 1000p 50V	R	AA AA
FL1104	RFILN0017TAZZY	Filter	R	AC AC	C351	VCKYCY1HB102KY	Ceramic 1000p 50V	R	AA AA
FL1105	RFILN0017TAZZY	Filter	R	AC AC	C352	VCKYCY1HB102KY	Ceramic 1000p 50V	R	AA AA
FL1106	RFILN0017TAZZY	Filter	R	AC AC	C353	VCKYCY1HB102KY	Ceramic 1000p 50V	R	AA AA
FL1107	RFILN0017TAZZY	Filter	R	AC AC	C354	VCKYCY1HB102KY	Ceramic 1000p 50V	R	AA AA
FL1108	RFILN0017TAZZY	Filter	R	AC AC	C355	VCKYCY1HB102KY	Ceramic 1000p 50V	R	AA AA
FL1109	RFILN0017TAZZY	Filter	R	AC AC	C356	VCEASY1HN476MY	Electrolytic 47 50V	R	AD AD
FL1110	RFILN0017TAZZY	Filter	R	AC AC	C357	VCEASY1HN476MY	Electrolytic 47 50V	R	AD AD
FL1211	RFILN0017TAZZY	Filter	R	AC AC	C358	VCEASX1HN106MY	Electrolytic 10 50V	R	AC AC
FL1212	RFILN0017TAZZY	Filter	R	AC AC	C359	VCEASX1HN106MY	Electrolytic 10 50V	R	AC AC
L301	RCILPA386WJZZ	Coil, 47uH	R		C360	VCEASY1CN476MY	Electrolytic 47 16V	R	AC AC
L302	RCILPA386WJZZ	Coil, 47uH	R		C361	RC-KZA073WJZZY	Ceramic 10 16V	R	AD AD
<b>CAPACITORS</b>									
C301	VCKYCY1CB273KY	Ceramic 0.027 16V	R	AB AB	C362	VCKYTV1EB224KY	Ceramic 0.22 25V	R	AA AA
C302	VCKYCY1CB273KY	Ceramic 0.027 16V	R	AB AB	C363	VCKYTV1EB224KY	Ceramic 0.22 25V	R	AA AA
C303	VCKYCY1HF224ZY	Ceramic 0.22 50V	R	AA AA	C364	VCEASY1CN477MY	Electrolytic 470 16V	R	AD AD
C304	VCKYCY1HF224ZY	Ceramic 0.22 50V	R	AA AA	C365	VCKYCY1HB222KY	Ceramic 2200p 50V	R	AA AA
C305	VCKYCY1HB104KY	Ceramic 0.1 50V	R	AA AA	C366	VCKYCY1HB222KY	Ceramic 2200p 50V	R	AA AA
C306	VCEASX1HN225MY	Electrolytic 2.2 50V	R	AB AB	C1101	VCKYTV1EB104KY	Ceramic 0.1 25V	R	AB AB
C307	VCEASX1HN225MY	Electrolytic 2.2 50V	R	AB AB	C1102	VCKYTV1EB104KY	Ceramic 0.1 25V	R	AB AB
C308	VCKYCY1HB104KY	Ceramic 0.1 50V	R	AA AA	C1103	VCKYTV1EB104KY	Ceramic 0.1 25V	R	AB AB
C309	VCKYCY1HB222KY	Ceramic 2200p 50V	R	AA AA	C1104	VCCCCY1HH101JY	Ceramic 100p 50V	R	AA AA
C310	VCKYCY1HB222KY	Ceramic 2200p 50V	R	AA AA	C1105	VCKYTV1EB104KY	Ceramic 0.1 25V	R	AB AB
C311	VCEASX1CN226MY	Electrolytic 22 16V	R	AC AC	C1106	VCKYTV1EB104KY	Ceramic 0.1 25V	R	AB AB
C312	VCKYCY1HB222KY	Ceramic 2200p 50V	R	AA AA	C1107	VCKYTV1EB104KY	Ceramic 0.1 25V	R	AB AB
C313	VCKYCY1HB222KY	Ceramic 2200p 50V	R	AA AA	C1108	VCCCCY1HH101JY	Ceramic 100p 50V	R	AA AA
C314	VCKYCY1HB153KY	Ceramic 0.015 50V	R	AA AA	C1109	RC-KZA073WJZZY	Ceramic 10 16V	R	AD AD
C315	VCKYCY1HB153KY	Ceramic 0.015 50V	R	AA AA	C1110	RC-KZA073WJZZY	Ceramic 10 16V	R	AD AD
C316	VCCCCY1HH330JY	Ceramic 33p 50V	R	AA AA	C1111	VCKYCY1HB221KY	Ceramic 220p 50V	R	AA AA
					C1112	VCKYCY1HB221KY	Ceramic 220p 50V	R	AA AA
					C1113	VCKYCY1HB102KY	Ceramic 1000p 50V	R	AA AA
					C1114	VCKYCY1HB102KY	Ceramic 1000p 50V	R	AA AA
					C1115	VCKYCY1HB102KY	Ceramic 1000p 50V	R	AA AA
					C1116	VCKYCY1HB102KY	Ceramic 1000p 50V	R	AA AA
					C1117	VCKYCY1HB102KY	Ceramic 1000p 50V	R	AA AA
					C1118	VCKYCY1HB102KY	Ceramic 1000p 50V	R	AA AA
					C1119	VCKYCY1HB102KY	Ceramic 1000p 50V	R	AA AA
					C1120	VCKYCY1HB102KY	Ceramic 1000p 50V	R	AA AA
					C1121	VCKYTV1CB105KY	Ceramic 1 16V	R	AC AC
					C1122	VCKYCY1HB331KY	Ceramic 330p 50V	R	AA AA

REF No.	PARTS	DESCRIPTION	* SN CODE	EX CODE
<b>DUNTKD604FM01</b>				
<b>AV Unit (Continued)</b>				
C1123	VCKYCY1HB331KY	Ceramic 330p 50V	R AA	AA
C1124	VCKYTV1CB105KY	Ceramic 1 16V	R AC	AC
C1125	VCKYCY1HB471KY	Ceramic 470p 50V	R AA	AA
C1126	VCKYCY1HB471KY	Ceramic 470p 50V	R AA	AA
C1130	VCEASY1CN477MY	Electrolytic 470 16V	R AD	AD
C1131	VCKYCY1HF103ZY	Ceramic 0.01 50V	R AA	AA
C1132	RC-KZA073WJZZY	Ceramic 10 16V	R AD	AD
C1133	RC-KZA073WJZZY	Ceramic 10 16V	R AD	AD
C1134	VCKYCY1HB102KY	Ceramic 1000p 50V	R AA	AA
C1135	VCKYCY1HB102KY	Ceramic 1000p 50V	R AA	AA
C1136	RC-KZA073WJZZY	Ceramic 10 16V	R AD	AD
C1137	RC-KZA073WJZZY	Ceramic 10 16V	R AD	AD
C1138	VCKYTV1CB105KY	Ceramic 1 16V	R AC	AC
C1139	VCKYCY1HB331KY	Ceramic 330p 50V	R AA	AA
C1140	VCKYCY1HB331KY	Ceramic 330p 50V	R AA	AA
C1142	VCKYTV1CB105KY	Ceramic 1 16V	R AC	AC
C1143	VCKYCY1HB471KY	Ceramic 470p 50V	R AA	AA
C1144	VCKYCY1HB471KY	Ceramic 470p 50V	R AA	AA
C1145	RC-KZA073WJZZY	Ceramic 10 16V	R AD	AD
C1146	RC-KZA073WJZZY	Ceramic 10 16V	R AD	AD
C1147	VCKYCY1EF104ZY	Ceramic 0.1 25V	R AA	AA
C1148	RC-KZA073WJZZY	Ceramic 10 16V	R AD	AD
C1157	RC-KZA073WJZZY	Ceramic 10 16V	R AD	AD
C1158	RC-KZA073WJZZY	Ceramic 10 16V	R AD	AD
C1159	VCKYCY1HF103ZY	Ceramic 0.01 50V	R AA	AA
C1160	VCKYCY1EF104ZY	Ceramic 0.1 25V	R AA	AA
C1161	RC-KZA073WJZZY	Ceramic 10 16V	R AD	AD
C1162	VCEASY1CN477MY	Electrolytic 470 16V	R AD	AD
C1201	VCKYCY1HB102KY	Ceramic 1000p 50V	R AA	AA
C1202	VCKYCY1HF103ZY	Ceramic 0.01 50V	R AA	AA
C1203	VCCCCY1HH101JY	Ceramic 100p 50V	R AA	AA
C1204	VCCCCY1HH100DY	Ceramic 10p 50V	R AA	AA
C1205	RC-KZA073WJZZY	Ceramic 10 16V	R AD	AD
C1206	VCCCCY1HH101JY	Ceramic 100p 50V	R AA	AA
C1207	VCCCCY1HH100DY	Ceramic 10p 50V	R AA	AA
C1208	RC-KZA073WJZZY	Ceramic 10 16V	R AD	AD
C1210	VCCCCY1HH101JY	Ceramic 100p 50V	R AA	AA
C1211	VCKYCY1HB102KY	Ceramic 1000p 50V	R AA	AA
C1212	VCKYTV1CB105KY	Ceramic 1 16V	R AC	AC
C1216	VCCCCY1HH101JY	Ceramic 100p 50V	R AA	AA
C1217	VCKYCY1HB102KY	Ceramic 1000p 50V	R AA	AA
C1218	VCKYTV1CB105KY	Ceramic 1 16V	R AC	AC
C1219	VCEASY1CN476MY	Electrolytic 47 16V	R AC	AC
C1220	RC-KZA073WJZZY	Ceramic 10 16V	R AD	AD
C1221	RC-KZA073WJZZY	Ceramic 10 16V	R AD	AD
C1222	RC-KZA073WJZZY	Ceramic 10 16V	R AD	AD
C1223	RC-KZA073WJZZY	Ceramic 10 16V	R AD	AD
C1224	VCCCCY1HH101JY	Ceramic 100p 50V	R AA	AA
C1225	VCCCCY1HH101JY	Ceramic 100p 50V	R AA	AA
C1252	VCKYTV1CB105KY	Ceramic 1 16V	R AC	AC
C1253	VCKYCY1EF104ZY	Ceramic 0.1 25V	R AA	AA
<b>RESISTORS</b>				
R301	VRS-CJ1JF102JY	Metal Oxide 1k 1/16W	R AA	AA
R302	VRS-CJ1JF472JY	Metal Oxide 4.7k 1/16W	R AA	AA
R304	VRS-CY1JF222JY	Metal Oxide 2.2k 1/16W	R AA	AA
R305	VRS-CY1JF222JY	Metal Oxide 2.2k 1/16W	R AA	AA
R306	VRS-CJ1JF472JY	Metal Oxide 4.7k 1/16W	R AA	AA
R307	VRS-CJ1JF104JY	Metal Oxide 100k 1/16W	R AA	AA
R308	VRS-CY1JF473JY	Metal Oxide 47k 1/16W	R AA	AA
R309	VRS-CY1JF473JY	Metal Oxide 47k 1/16W	R AA	AA
R310	VRS-CY1JF102JY	Metal Oxide 1k 1/16W	R AA	AA
R311	VRS-CY1JF102JY	Metal Oxide 1k 1/16W	R AA	AA
R312	VRS-CY1JF102JY	Metal Oxide 1k 1/16W	R AA	AA

REF No.	PARTS	DESCRIPTION	* SN CODE	EX CODE
R313	VRS-CY1JF102JY	Metal Oxide 1k 1/16W	R AA	AA
R314	VRS-CY1JF392JY	Metal Oxide 3.9k 1/16W	R AA	AA
R315	VRS-CY1JF474JY	Metal Oxide 470k 1/16W	R AA	AA
R316	VRS-CY1JF392JY	Metal Oxide 3.9k 1/16W	R AA	AA
R317	VRS-CY1JF474JY	Metal Oxide 470k 1/16W	R AA	AA
R318	VRS-TW2HF820JY	Metal Oxide 82 1/2W	R	
R319	VRS-CY1JF122JY	Metal Oxide 1.2k 1/16W	R AA	AA
R320	VRS-CY1JF122JY	Metal Oxide 1.2k 1/16W	R AA	AA
R321	VRS-CY1JF103JY	Metal Oxide 10k 1/16W	R AA	AA
R322	VRS-CY1JF103JY	Metal Oxide 10k 1/16W	R AA	AA
R323	VRS-CY1JF473JY	Metal Oxide 47k 1/16W	R AA	AA
R324	VRS-CY1JF473JY	Metal Oxide 47k 1/16W	R AA	AA
R325	VRS-CY1JF332JY	Metal Oxide 3.3k 1/16W	R AA	AA
R326	VRS-CY1JF332JY	Metal Oxide 3.3k 1/16W	R AA	AA
R327	VRS-CJ1JF103JY	Metal Oxide 10k 1/16W	R AA	AA
R328	VRS-CJ1JF392JY	Metal Oxide 3.9k 1/16W	R AA	AA
R329	VRS-CY1JF682JY	Metal Oxide 6.8k 1/16W	R AA	AA
R330	VRS-CY1JF222JY	Metal Oxide 2.2k 1/16W	R AA	AA
R331	VRS-CY1JF222JY	Metal Oxide 2.2k 1/16W	R AA	AA
R332	VRS-CY1JF102JY	Metal Oxide 1k 1/16W	R AA	AA
R333	VRS-CJ1JF103JY	Metal Oxide 10k 1/16W	R AA	AA
R334	VRS-CY1JF682JY	Metal Oxide 6.8k 1/16W	R AA	AA
R335	VRS-TW2ED100JY	Metal Oxide 10 1/4W	R AA	AA
R336	VRS-TW2ED100JY	Metal Oxide 10 1/4W	R AA	AA
R337	VRS-TW2ED100JY	Metal Oxide 10 1/4W	R AA	AA
R338	VRS-TW2ED100JY	Metal Oxide 10 1/4W	R AA	AA
R339	VRS-TW2ED220JY	Metal Oxide 22 1/4W	R AB	AB
R340	VRS-TW2ED220JY	Metal Oxide 22 1/4W	R AB	AB
R341	VRS-CJ1JF103JY	Metal Oxide 10k 1/16W	R AA	AA
R342	VRS-CJ1JF332JY	Metal Oxide 3.3k 1/16W	R AA	AA
R343	VRS-TW2ED000JY	Metal Oxide 0 1/4W	R AB	AB
R344	VRS-CJ1JF103JY	Metal Oxide 10k 1/16W	R AA	AA
R345	VRS-CJ1JF103JY	Metal Oxide 10k 1/16W	R AA	AA
R346	VRS-CY1JF560JY	Metal Oxide 56 1/16W	R AA	AA
R347	VRS-CY1JF560JY	Metal Oxide 56 1/16W	R AA	AA
R348	VRS-CJ1JF222JY	Metal Oxide 2.2k 1/16W	R AA	AA
R349	VRS-CY1JF101JY	Metal Oxide 100 1/16W	R AA	AA
R350	VRS-CY1JF101JY	Metal Oxide 100 1/16W	R AA	AA
R351	VRS-CY1JF103JY	Metal Oxide 10k 1/16W	R AA	AA
R352	VRS-CY1JF103JY	Metal Oxide 10k 1/16W	R AA	AA
R353	VRS-CY1JF102JY	Metal Oxide 1k 1/16W	R AA	AA
R354	VRS-CY1JF102JY	Metal Oxide 1k 1/16W	R AA	AA
R355	VRS-TW2ED2R7JY	Metal Oxide 2.7 1/4W	R	
R356	VRS-CY1JF103JY	Metal Oxide 10k 1/16W	R AA	AA
R358	VRS-CY1JF000JY	Metal Oxide 0 1/16W	R AA	AA
R360	VRS-CY1JF472JY	Metal Oxide 4.7k 1/16W	R AA	AA
R361	VRS-CY1JF101JY	Metal Oxide 100 1/16W	R AA	AA
R1101	VRS-CY1JF153FY	Metal Oxide 15k 1/16W	R AA	AA
R1102	VRS-CY1JF153FY	Metal Oxide 15k 1/16W	R AA	AA
R1103	VRS-CY1JF393FY	Metal Oxide 39k 1/16W	R AA	AA
R1104	VRS-CY1JF000JY	Metal Oxide 0 1/16W	R AA	AA
R1105	VRS-CY1JF000JY	Metal Oxide 0 1/16W	R AA	AA
R1106	VRS-CY1JF000JY	Metal Oxide 0 1/16W	R AA	AA
R1107	VRS-TV1JD221JY	Metal Oxide 220 1/16W	R AA	AA
R1108	VRS-CY1JF393FY	Metal Oxide 39k 1/16W	R AA	AA
R1109	VRS-TV1JD221JY	Metal Oxide 220 1/16W	R AA	AA
R1110	VRS-CY1JF000JY	Metal Oxide 0 1/16W	R AA	AA
R1111	VRS-TW2ED680JY	Metal Oxide 68 1/4W	R AA	AA
R1112	VRS-TW2ED680JY	Metal Oxide 68 1/4W	R AA	AA
R1113	VRS-TW2ED750JY	Metal Oxide 75 1/4W	R AA	AA
R1114	VRS-TW2ED750JY	Metal Oxide 75 1/4W	R AA	AA
R1115	VRS-CY1JF000JY	Metal Oxide 0 1/16W	R AA	AA
R1116	VRS-TW2ED750JY	Metal Oxide 75 1/4W	R AA	AA
R1117	VRS-TW2ED750JY	Metal Oxide 75 1/4W	R AA	AA
R1118	VRS-TW2ED750JY	Metal Oxide 75 1/4W	R AA	AA
R1119	VRS-CY1JF101JY	Metal Oxide 100 1/16W	R AA	AA

REF No.	PARTS	DESCRIPTION	* SN CODE	EX CODE	REF No.	PARTS	DESCRIPTION	* SN CODE	EX CODE
<b>DUNTKD604FM01</b>									
<b>AV Unit (Continued)</b>									
R1120	VRS-CY1JF000JY	Metal Oxide 0 1/16W	R AA	AA	FB1107	RBLN-0051TAZZY	Ferrite Beads	R AC	AC
R1121	VRS-TW2ED750JY	Metal Oxide 75 1/4W	R AA	AA	FB1108	RBLN-0062TAZZY	Ferrite Beads	R AB	AB
R1123	VRS-TW2ED750JY	Metal Oxide 75 1/4W	R AA	AA	FB1109	RBLN-0062TAZZY	Ferrite Beads	R AB	AB
R1125	VRS-TW2ED750JY	Metal Oxide 75 1/4W	R AA	AA	FB1110	RBLN-0062TAZZY	Ferrite Beads	R AB	AB
R1126	VRS-CY1JF000JY	Metal Oxide 0 1/16W	R AA	AA	FB1111	RBLN-0051TAZZY	Ferrite Beads	R AC	AC
R1127	VRS-TW2ED750JY	Metal Oxide 75 1/4W	R AA	AA	FB1112	RBLN-0051TAZZY	Ferrite Beads	R AC	AC
R1128	VRS-CY1JF101JY	Metal Oxide 100 1/16W	R AA	AA	FB1201	RBLN-0051TAZZY	Ferrite Beads	R AC	AC
R1129	VRS-TW2ED750JY	Metal Oxide 75 1/4W	R AA	AA	FB1202	RBLN-0051TAZZY	Ferrite Beads	R AC	AC
R1130	VRS-CY1JF000JY	Metal Oxide 0 1/16W	R AA	AA	FB1203	RBLN-0062TAZZY	Ferrite Beads	R AB	AB
R1131	VRS-CY1JF221JY	Metal Oxide 220 1/16W	R AA	AA	FB1204	RBLN-0062TAZZY	Ferrite Beads	R AB	AB
R1134	VRS-CY1JF102JY	Metal Oxide 1k 1/16W	R AA	AA	FB1213	RBLN-0210TAZZY	Ferrite Beads	R AB	AB
R1137	VRS-CY1JF000JY	Metal Oxide 0 1/16W	R AA	AA	FB1218	RBLN-0254TAZZY	Ferrite Beads	R AB	AB
R1138	VRS-CY1JF000JY	Metal Oxide 0 1/16W	R AA	AA	J1101	QSOCZA116WJZZ	Socket, 42pin	R	
R1139	VRS-CJ1JF101JY	Metal Oxide 100 1/16W	R AA	AA	J1201	QJAKZA033WJZZ	Jack, 16pin (INPUT3)	R	
R1140	VRS-CJ1JF331JY	Metal Oxide 330 1/16W	R AA	AA	J1301	QJAKJA007WJZZ	Jack 7pin (HEAD PHONE OUT)	R AD	AD
R1141	VRS-CY1JF564JY	Metal Oxide 560k 1/16W	R AA	AA	LUG301	QLUGHA009WJZZY	Lug	R AC	AC
R1142	VRS-CY1JF564JY	Metal Oxide 560k 1/16W	R AA	AA	LUG302	QLUGHA009WJZZY	Lug	R AC	AC
R1143	VRS-CJ1JF272JY	Metal Oxide 2.7k 1/16W	R AA	AA	LUG303	QLUGHA009WJZZY	Lug	R AC	AC
R1144	VRS-CY1JF102JY	Metal Oxide 1k 1/16W	R AA	AA	LUG304	QLUGHA009WJZZY	Lug	R AC	AC
R1145	VRS-CY1JF102JY	Metal Oxide 1k 1/16W	R AA	AA	P301	QPLGNA173WJZZY	Plug, 4pin (SP)	R AD	AD
R1146	VRS-TV1JD221JY	Metal Oxide 220 1/16W	R AA	AA	P1101	QCNCMA250WJZZ	Connector, 23pin (to MAIN2)	R AE	AE
R1147	VRS-CY1JF102JY	Metal Oxide 1k 1/16W	R AA	AA	P1102	QCNCMA250WJZZ	Connector, 23pin (to MAIN2)	R AE	AE
R1148	VRS-TV1JD221JY	Metal Oxide 220 1/16W	R AA	AA	P1201	QCNCMA250WJZZ	Connector, 23pin (to MAIN2)	R AE	AE
R1152	VRS-CJ1JF101JY	Metal Oxide 100 1/16W	R AA	AA	SC301	QSOCZ0738CEZZ	Socket, 7pin (to POWER)	R AE	AE
R1155	VRS-CJ1JF331JY	Metal Oxide 330 1/16W	R AA	AA	<b>DUNTKD605FM01/02/03 (LC-26/32/37P55E)</b>				
R1156	VRS-CY1JF564JY	Metal Oxide 560k 1/16W	R AA	AA	<b>POWER Unit</b>				
R1157	VRS-CY1JF564JY	Metal Oxide 560k 1/16W	R AA	AA	<b>INTEGRATED CIRCUITS</b>				
R1158	VRS-CJ1JF272JY	Metal Oxide 2.7k 1/16W	R AA	AA	IC704	VHiMR4020+-+1	MR4020-7101 (LC-26P55E)	R	
R1159	VRS-CY1JF102JY	Metal Oxide 1k 1/16W	R AA	AA	IC704	VHiMR4030+-+1	MR4030-7101 (LC-32P55E/LC-37P55E)	R	
R1160	VRS-CY1JF102JY	Metal Oxide 1k 1/16W	R AA	AA	IC705	VHiMR4020+-+1	MR4020-7101	R	
R1161	VRS-CY1JF221JY	Metal Oxide 220 1/16W	R AA	AA	IC706	VHiTA76431R-1Y	TA76431FR/TE12	R	
R1177	VRS-CY1JF102JY	Metal Oxide 1k 1/16W	R AA	AA	IC707	VHiTA76431R-1Y	TA76431FR/TE12	R	
R1179	VRS-CY1JF102JY	Metal Oxide 1k 1/16W	R AA	AA	IC708	VHiNJM2904M-1Y	NJM2904M	R AE	AE
R1201	VRS-CY1JF101JY	Metal Oxide 100 1/16W	R AA	AA	IC709	VHiNJM2903M-1Y	NJM2903M	R	
R1202	VRS-CY1JF392JY	Metal Oxide 3.9k 1/16W	R AA	AA	<b>TRANSISTORS</b>				
R1203	VRS-CY1JF682JY	Metal Oxide 6.8k 1/16W	R AA	AA	Q702	VS2SC3928AR-1Y	2SC3928AR	R AB	AB
R1204	VRS-CY1JF750JY	Metal Oxide 75 1/16W	R AA	AA	Q704	VS2SC3928AR-1Y	2SC3928AR	R AB	AB
R1206	VRS-TW2ED750JY	Metal Oxide 75 1/4W	R AA	AA	Q708	VS2SC3928AR-1Y	2SC3928AR	R AB	AB
R1209	VRS-TW2ED750JY	Metal Oxide 75 1/4W	R AA	AA	Q710	VS2SC3928AR-1Y	2SC3928AR	R AB	AB
R1210	VRS-CY1JF102JY	Metal Oxide 1k 1/16W	R AA	AA	Q712	VS2SC3928AR-1Y	2SC3928AR	R AB	AB
R1211	VRS-CY1JF102JY	Metal Oxide 1k 1/16W	R AA	AA	Q713	VS2SC3928AR-1Y	2SC3928AR	R AB	AB
R1212	VRS-CY1JF104JY	Metal Oxide 100k 1/16W	R AA	AA	Q721	VS2SC3928AR-1Y	2SC3928AR	R AB	AB
R1213	VRS-CY1JF102JY	Metal Oxide 1k 1/16W	R AA	AA	Q726	VS2SC3928AR-1Y	2SC3928AR	R AB	AB
R1214	VRS-CY1JF102JY	Metal Oxide 1k 1/16W	R AA	AA	Q729	VS2SD2185R+1Y	2SD2185R	R	
R1215	VRS-CY1JF104JY	Metal Oxide 100k 1/16W	R AA	AA	<b>DIODES</b>				
R1216	VRS-CY1JF271JY	Metal Oxide 270 1/16W	R AA	AA	△ D701	RH-DX0477CEZZ	DX0477CE	R AF	AF
R1217	VRS-CY1JF331JY	Metal Oxide 330 1/16W	R AA	AA	D707	VHD1SS355/-1Y	1SS355	R AB	AB
R1218	VRS-CY1JF272JY	Metal Oxide 2.7k 1/16W	R AA	AA	D714	RH-EX1396CEZZY	Zener Diode (LC-26P55E)	R AB	AB
R1219	VRS-CY1JF271JY	Metal Oxide 270 1/16W	R AA	AA	D714	RH-EX1398CEZZY	Zener Diode, 8.2V (LC-32P55E/LC-37P55E)	R AB	AB
R1221	VRS-CY1JF331JY	Metal Oxide 330 1/16W	R AA	AA	D715	VHDD1FL20U/-1Y	D1FL20U	R AC	AC
R1222	VRS-CY1JF272JY	Metal Oxide 2.7k 1/16W	R AA	AA	D716	VHDD1FL20U/-1Y	D1FL20U	R AC	AC
R1224	VRS-CY1JF564JY	Metal Oxide 560k 1/16W	R AA	AA	D717	VHDD1FL20U/-1Y	D1FL20U	R AC	AC
R1225	VRS-CY1JF564JY	Metal Oxide 560k 1/16W	R AA	AA	D718	RH-EXA091WJZZY	Zener Diode, 11V	R AB	AB
R1226	VRS-CY1JF102JY	Metal Oxide 1k 1/16W	R AA	AA	D720	VHDD1FL20U/-1Y	D1FL20U	R AC	AC
R1227	VRS-CY1JF102JY	Metal Oxide 1k 1/16W	R AA	AA	D721	RH-EXA096WJZZY	Zener Diode, 18V	R AB	AB
R1228	VRS-CY1JF000JY	Metal Oxide 0 1/16W	R AA	AA	D722	VHD1SS355/-1Y	1SS355	R AB	AB
<b>MISCELLANEOUS PARTS</b>					D724	VHDD1FL20U/-1Y	D1FL20U	R AC	AC
FB1101	RBLN-0062TAZZY	Ferrite Beads	R AB	AB	D725	VHDD1FL20U/-1Y	D1FL20U	R AC	AC
FB1102	RBLN-0062TAZZY	Ferrite Beads	R AB	AB	D726	VHDD1FL20U/-1Y	D1FL20U	R AC	AC
FB1103	RBLN-0077TAZZY	Ferrite Beads	R AB	AB	D728	VHEST03D170-1	Zener Diode	R	
FB1104	RBLN-0077TAZZY	Ferrite Beads	R AB	AB	D729	VHEST03D170-1	Zener Diode	R	
FB1105	RBLN-0051TAZZY	Ferrite Beads	R AC	AC	△ D730	RH-FXA003WJZZ	PC123Y82	R AD	AD
FB1106	RBLN-0062TAZZY	Ferrite Beads	R AB	AB	△ D731	RH-FXA003WJZZ	PC123Y82	R AD	AD
					△ D732	RH-FXA003WJZZ	PC123Y82	R AD	AD

REF No.	PARTS	DESCRIPTION	* SN CODE	EX CODE
<b>DUNTKD605FM01/02/03 (LC-26/32/37P55E)</b>				
<b>POWER Unit (Continued)</b>				
△	D733	RH-FXA003WJZZ	PC123Y82	R AD AD
△	D734	RH-FXA003WJZZ	PC123Y82	R AD AD
	D735	VHDSF6L20U+1	SF6L20U+1	R AG AG
	D736	RH-DXA080WJZZ	RH-DXA080WJ	R
	D737	RH-DXA081WJZZ	RH-DXA081WJ	R
	D738	RH-DXA088WJZZ	RH-DXA088WJ	R
	D739	RH-DXA085WJZZ	RH-DXA085WJ	R
	D741	RH-EX1398CEZZY	Zener Diode, 8.2V	R AB AB
	D742	VHD1SS355/-1Y	1SS355	R AB AB
	D746	RH-EXA102WJZZY	Zener Diode, 33V	R
	D747	VHD1SS355/-1Y	1SS355	R AB AB
	D748	RH-EXA094WJZZY	Zener Diode, 15V	R AB AB
	D749	RH-EX1400CEZZY	Zener Diode, 10V	R AB AB
	D751	RH-EX1398CEZZY	Zener Diode, 8.2V	R AB AB
	D752	VHD1SS355/-1Y	1SS355	R AB AB
	D753	RH-EXA094WJZZY	Zener Diode, 15V	R AB AB
	D754	RH-EXA101WJZZY	Zener Diode, 30V	R AB AB
	D755	VHD1SS355/-1Y	1SS355	R AB AB
	D756	RH-EXA101WJZZY	Zener Diode, 30V	R AB AB
	D757	VHD1SS355/-1Y	1SS355	R AB AB
	D759	RH-EXA101WJZZY	Zener Diode, 30V	R AB AB
	D761	VHDD1FL20U-1Y	D1FL20U	R AC AC
	D762	VHEST03D170-1	Zener Diode	R
	D763	RH-EX1394CEZZY	Zener Diode	R AB AB
	D765	VHD1SS355/-1Y	1SS355	R AB AB
	D767	VHD1SS355/-1Y	1SS355	R AB AB
	D771	VHEST03D-82-1	Zener Diode	R
	D772	RH-EXA102WJZZY	Zener Diode, 33V	R
	D773	VHD1SS355/-1Y	1SS355	R AB AB
	D774	VHD1SS355/-1Y	1SS355	R AB AB
	D775	VHD1SS355/-1Y	1SS355	R AB AB
	D776	RH-EX1234CEZZY	Zener Diode, 3.6V	R AE AE
	D777	VHDO05NU44+1Y	U05NU44	R
	D778	VHDO05NU44+1Y	U05NU44	R
	D779	VHD1SS355/-1Y	1SS355	R AB AB
	D780	RH-EX1015GEZZY	Zener Diode	R AD AD
	D781	RH-EX1015GEZZY	Zener Diode	R AD AD
	D782	RH-EXA359WJZZY	Zener Diode	R
	D783	RH-EXA359WJZZY	Zener Diode	R
	Q723	RH-TXA037WJZZY	TXA037WJ	R
	Q724	RH-TXA037WJZZY	TXA037WJ	R
	Q730	RH-TXA026WJZZY	TXA026WJ	R
	Q731	RH-TXA026WJZZY	TXA026WJ	R
△	TH701	RH-HXA033WJZZ	Thermistor	R
△	VA701	RH-VXA071WJQZ	Varistor	R
△	VA702	RH-VXA071WJQZ	Varistor	R
<b>COILS AND TRANSFORMERS</b>				
△	L701	RCILFA209WJZZ	Coil(LC-26P55E)	R
△	L701	RCILFA211WJZZ	Coil(LC-32P55E)	R
△	L701	RCILFA213WJZZ	Coil(LC-37P55E)	R
△	L702	RCILF0024PEZZ	Coil(LC-32P55E)	R AN AN
△	L702	RCILF0025PEZZ	Coil(LC-37P55E)	R AK AK
△	L702	RCILFA036WJZZ	Coil(LC-26P55E)	R
	L753	RCILPA642WJZZ	Coil	R
△	T701	RTRNWA230WJZZ	Transformer	R
△	T702	RTRNWA231WJZZ	Transformer (LC-32P55E/LC-37P55E)	R
△	T702	RTRNWA232WJZZ	Transformer (LC-26P55E)	R
△	T703	RTRNCA021WJZZ	CHOKE Transformer (LC-26P55E)	R
△	T703	RTRNCA022WJZZ	CHOKE Transformer (LC-32P55E)	R
△	T703	RTRNCA023WJZZ	CHOKE Transformer (LC-37P55E)	R
<b>CAPACITORS</b>				
△	C704	RC-FZA026WJZZ	0.47 275V	R AE AE
	C705	RC-EZA985WJZZ	(LC-32P55E) 220 400V	R

REF No.	PARTS	DESCRIPTION	* SN CODE	EX CODE
	C705	RC-EZA986WJZZ	(LC-37P55E) 270	R
	C706	RC-EZA985WJZZ	(LC-32P55E) 220	R
	C706	RC-EZA986WJZZ	(LC-37P55E) 270	R
	C707	RC-EZA979WJZZ	(LC-26P55E) 330	R
△	C708	RC-KZ0105GEZZ	Ceramic 2200p 250V	R AD AD
△	C709	RC-KZ0105GEZZ	Ceramic 2200p 250V	R AD AD
△	C712	RC-FZA026WJZZ	0.47 275V	R AE AE
	C713	VCKYCY1HB104KY	Ceramic 0.1 50V	R AA AA
	C716	VCKYCY1HB104KY	Ceramic 0.1 50V	R AA AA
	C717	VCKYCY1HB104KY	Ceramic 0.1 50V	R AA AA
	C720	VCKYCY1HB104KY	Ceramic 0.1 50V	R AA AA
	C722	VCCCCY1HH470JY	Ceramic 47p 50V	R AA AA
	C723	RC-EZA489WJZZ+	47 35V	R
	C725	RC-KZA304WJZZ	Ceramic 470 2kV	R
	C726	VCCCCY1HH101JY	Ceramic 100p 50V	R AA AA
	C728	VCKYCY1HB332KY	Ceramic 3300p 50V	R AA AA
	C730	VCKYCY1HB104KY	Ceramic 0.1 50V	R AA AA
	C732	VCKYCY1HB104KY	Ceramic 0.1 50V	R AA AA
	C733	VCKYCY1HB222KY	Ceramic 2200p 50V	R AA AA
	C734	RC-KZA304WJZZ	Ceramic 470p 2kV	R
	C735	RC-EZA489WJZZ+	47 35V	R
	C736	RC-EZA489WJZZ+	47 35V	R
	C739	VCCCCY1HH102JY	Ceramic 1000p 50V	R AB AB
△	C740	RC-KZ0105GEZZ	Ceramic 2200p 250V	R AD AD
△	C741	RC-KZ0105GEZZ	Ceramic 2200p 250V	R AD AD
△	C742	RC-KZ0105GEZZ	Ceramic 2200p 250V	R AD AD
	C743	RC-EZA513WJZZ	470 50V	R
	C744	RC-EZA499WJZZ	1200 35V	R
	C745	VCKYCY1HB472KY	Ceramic 4700p 50V	R AA AA
	C749	VCKYTV1HB683KY	Ceramic 0.068 50V	R
	C751	RC-EZA499WJZZ	1200 35V	R
	C752	RC-EZA452WJZZ	2200 10V	R
	C753	VCKYTV1HB683KY	Ceramic 0.068 50V	R
	C754	RC-EZA510WJZZ	220 50V	R
	C755	RC-EZA499WJZZ	1200 35V	R
	C756	RC-EZA452WJZZ	2200 10V	R
	C757	RC-EZA480WJZZ	680 25V	R AD AD
	C758	RC-EZA490WJZZ+	100 35V	R
	C762	RC-EZA513WJZZ	470 50V	R
	C763	VCKYCY1HB104KY	Ceramic 0.1 50V	R AA AA
	C764	VCKYCY1HB104KY	Ceramic 0.1 50V	R AA AA
	C765	VCKYCY1HB104KY	Ceramic 0.1 50V	R AA AA
	C767	RC-EZA510WJZZ	220 50V	R
	C768	RC-EZA452WJZZ	2200 10V	R
	C771	VCKYCY1HB272KY	Ceramic 2700p 50V	R AA AA
	C772	VCKYCY1HB104KY	Ceramic 0.1 50V	R AA AA
	C774	VCKYCY1CB104KY	Ceramic 0.1 16V	R AB AB
	C776	RC-KZA213WJZZY	Ceramic 4.7 25V	R AC AC
△	C777	RC-KZ0105GEZZ	Ceramic 2200p 250V	R AD AD
△	C778	RC-KZ0105GEZZ	Ceramic 2200p 250V	R AD AD
	C781	RC-KZ0105GEZZ	Ceramic 2200p 250V (LC-26P55E/LC-32P55E)	R AD AD
	C781	VCFYAA2JA103K	PP FILM C 10NF 10% 630V (LC-37P55E)	R
	C782	RC-KZ0105GEZZ	Ceramic 2200p 250V (LC-26P55E/LC-32P55E)	R AD AD
	C782	VCFYAA2JA103K	PP FILM C 10NF 10% 630V (LC-37P55E)	R
	C782	RC-KZ0029CEZZ	Ceramic 0.01 250V	R AC AC
	C783	RC-KZA213WJZZY	Ceramic 4.7 25V	R AC AC
	C789	VCKYCY1HB104KY	Ceramic 0.1 50V	R AA AA
	C790	VCKYCY1HB104KY	Ceramic 0.1 50V	R AA AA
	C792	VCKYCY1AB105KY	Ceramic 1 10V	R AB AB
	C793	VCKYCY1CB104KY	Ceramic 0.1 16V	R AB AB
	C794	RC-KZA388WJZZY	Ceramic 10 6.3V	R AC AC
	C795	VCKYCY1AB105KY	Ceramic 1 10V	R AB AB
	C796	VCKYCY1AB105KY	Ceramic 1 10V	R AB AB
	C798	VCKYCY1CB104KY	Ceramic 0.1 16V	R AB AB
	C799	VCKYCY1CB104KY	Ceramic 0.1 16V	R AB AB
	C800	VCKYCY1CB104KY	Ceramic 0.1 16V	R AB AB
	C801	VCKYCY1CB104KY	Ceramic 0.1 16V	R AB AB
	C804	VCKYCY1CB104KY	Ceramic 0.1 16V	R AB AB



REF No.	PARTS	DESCRIPTION	* SN CODE	EX CODE	REF No.	PARTS	DESCRIPTION	* SN CODE	EX CODE
<b>DUNTKD605FM01/02/03 (LC-26/32/37P55E)</b>									
<b>POWER Unit (Continued)</b>									
<b>RESISTORS</b>									
△ R701	RR-HZ0008GEZZY	Resistor	R		R831	VRS-TV1JD103JY	Metal Oxide 10k 1/16W	R	AA AA
△ R702	RR-HZ0008GEZZY	Resistor	R		R833	VRS-TQ2EF223FY	Metal Oxide 22k 1/4W	R	
R727	VRS-TV1JD563JY	Metal Oxide 56k 1/16W	R	AA AA	R834	VRS-TV1JD103JY	Metal Oxide 10k 1/16W	R	AA AA
R730	VRS-TQ2EF124FY	Metal Oxide 120k 1/4W	R		R835	VRS-TQ2BD000JY	Metal Oxide 0 1/8W	R	AA AA
R731	VRS-TQ2EF124FY	Metal Oxide 120k 1/4W	R		R836	VRS-TV1JD103JY	Metal Oxide 10k 1/16W	R	AA AA
R732	VRS-TQ2EF124FY	Metal Oxide 120k 1/4W	R		R851	VRS-TQ2EF221JY	Metal Oxide 220 1/4W	R	AA AA
R740	VRS-TV1JD564JY	Metal Oxide 560k 1/16W	R	AA AA	R852	VRS-TQ2EF221JY	Metal Oxide 220 1/4W	R	AA AA
R741	VRS-TV1JD103JY	Metal Oxide 10k 1/16W	R	AA AA	R854	VRS-VV3DB102J	Metal Oxide 1k 2W	R	AA AA
R742	VRS-TV1JD103JY	Metal Oxide 10k 1/16W	R	AA AA	R856	VRS-TV1JD183FY	Metal Oxide 18k 1/16W (LC-26P55E)	R	
R743	VRS-CY1JF224JY	Metal Oxide 220k 1/16W	R	AA AA	R857	VRS-TQ2BD000JY	Metal Oxide 0 1/8W	R	AA AA
R745	VRS-TV1JD912JY	Metal Oxide 9.1k 1/16W	R		R858	VRS-TV1JD272JY	Metal Oxide 2.7k 1/16W	R	AA AA
R746	VRS-TV1JD103JY	Metal Oxide 10k 1/16W	R	AA AA	R859	VRS-CY1JF123JY	Metal Oxide 12k 1/16W	R	AA AA
R747	VRS-TV1JD103FY	Metal Oxide 10k 1/16W (LC-26P55E)	R	AA AA	R860	VRS-CY1JF472JY	Metal Oxide 4.7k 1/16W	R	AA AA
R747	VRS-TV1JD752FY	Metal Oxide 7.5k 1/16W (LC-32P55E/LC-37P55E)	R		R861	VRS-CY1JF272JY	Metal Oxide 2.7k 1/16W	R	AA AA
R748	VRS-TV1JD103JY	Metal Oxide 10k 1/16W	R	AA AA	R862	VRS-CY1JF272JY	Metal Oxide 2.7k 1/16W	R	AA AA
R751	VRN-VV3DBR10J	Metal Film 0.1 2W (LC-32P55E/LC-37P55E)	R	AB AB	R863	VRS-CY1JF472JY	Metal Oxide 4.7k 1/16W	R	AA AA
R751	VRN-VV3DBR15J	Metal Film 0.15 2W (LC-26P55E)	R	AB AB	R864	VRS-CY1JF333JY	Metal Oxide 33k 1/16W	R	AA AA
R752	VRS-TV1JD000JY	Metal Oxide 0 1/16W	R	AA AA	R865	VRS-CY1JF333JY	Metal Oxide 33k 1/16W	R	AA AA
R753	VRS-TV1JD133JY	Metal Oxide 13k 1/16W	R		R866	VRS-CY1JF473JY	Metal Oxide 47k 1/16W	R	AA AA
R755	VRS-TV1JD203FY	Metal Oxide 20k 1/16W	R		R867	VRS-CY1JF123JY	Metal Oxide 12k 1/16W	R	AA AA
R756	VRS-TV1JD183FY	Metal Oxide 18k 1/16W	R		R868	VRS-CY1JF122JY	Metal Oxide 1.2k 1/16W	R	AA AA
R757	VRS-TV1JD103JY	Metal Oxide 10k 1/16W	R	AA AA	R869	VRS-CY1JF332JY	Metal Oxide 3.3k 1/16W	R	AA AA
R758	VRS-TV1JD564JY	Metal Oxide 560k 1/16W	R	AA AA	R870	VRS-CY1JF222JY	Metal Oxide 2.2k 1/16W	R	AA AA
R759	VRS-TV1JD103JY	Metal Oxide 10k 1/16W	R	AA AA	R871	VRS-CY1JF122JY	Metal Oxide 1.2k 1/16W	R	AA AA
R760	VRN-VV3DBR15J	Metal Film 0.15 2W	R	AB AB	R872	VRS-CY1JF472JY	Metal Oxide 4.7k 1/16W	R	AA AA
R761	VRS-TV1JD103JY	Metal Oxide 10k 1/16W	R	AA AA	R873	VRS-CY1JF122JY	Metal Oxide 1.2k 1/16W	R	AA AA
R764	VRS-TV1JD103JY	Metal Oxide 10k 1/16W	R	AA AA	R877	VRS-TQ2EF124FY	Metal Oxide 120k 1/4W	R	
R765	VRS-TV1JD103JY	Metal Oxide 10k 1/16W	R	AA AA	R878	VRS-TQ2EF124FY	Metal Oxide 120k 1/4W	R	
R766	VRS-TV1JD103JY	Metal Oxide 10k 1/16W	R	AA AA	RJ1	VRS-CY1JF000JY	Metal Oxide 0 1/16W	R	AA AA
R767	VRS-TQ2EF391JY	Metal Oxide 390 1/4W	R		RJ2	VRS-CY1JF000JY	Metal Oxide 0 1/16W	R	AA AA
R770	VRS-TQ2BD000JY	Metal Oxide 0 1/8W	R	AA AA	RJ3	VRS-CY1JF000JY	Metal Oxide 0 1/16W	R	AA AA
R773	VRS-TV1JD103JY	Metal Oxide 10k 1/16W	R	AA AA	<b>MISCELLANEOUS PARTS</b>				
R774	VRS-TV1JD103JY	Metal Oxide 10k 1/16W	R	AA AA	E701	LANGQA027WJFW	FixingMetal, AC-INLET	R	
R775	VRS-TV1JD153FY	Metal Oxide 15k 1/16W	R	AA AA	△ F701	QFS-ZA007WJZZ	Fuse, AC250V	R	AC AC
R776	VRS-TV1JD102JY	Metal Oxide 1k 1/16W	R	AA AA	LUG701	QLUGHA002WJZZ	Lug	R	AB AB
R777	VRS-TV1JD242FY	Metal Oxide 2.4k 1/16W	R		LUG702	QLUGHA002WJZZ	Lug	R	AB AB
R778	VRS-TV1JD242FY	Metal Oxide 2.4k 1/16W	R		LUG703	QLUGHA002WJZZ	Lug	R	AB AB
R779	VRS-TV1JD103JY	Metal Oxide 10k 1/16W	R	AA AA	LUG704	QLUGHA002WJZZ	Lug	R	AB AB
R780	VRS-TV1JD682JY	Metal Oxide 6.8k 1/16W	R	AA AA	P701	QCNCMA250WJZZ	Connector, 23pin (to MAIN6)	R	AE AE
R781	VRS-TV1JD242FY	Metal Oxide 2.4k 1/16W	R		P702	QCNCMA247WJZZ	Connector, 9pin (to MAIN6)	R	AD AD
R782	VRS-TV1JD102JY	Metal Oxide 1k 1/16W	R	AA AA	P703	QPLGZ0738CEZZ	Plug, 7pin (to AV)	R	AC AC
R783	VRS-TV1JD223JY	Metal Oxide 22k 1/16W	R	AA AA	P704	QPLGNA053WJZZ	Plug, 14pin (LA) (to INVERTER)	R	
R784	VRS-TV1JD242JY	Metal Oxide 2.4k 1/16W	R		RDA701	PRDARA323WJFW	Heat Sink (for D701)	R	
R785	VRS-TV1JD103JY	Metal Oxide 10k 1/16W	R	AA AA	RDA702	PRDARA306WJFW	Heat Sink (for IC705)	R	
R787	VRS-TV1JD103JY	Metal Oxide 10k 1/16W	R	AA AA	RDA703	PRDARA307WJFW	Heat Sink (LC-32P55E/LC-26P55E)	R	
R788	VRS-TV1JD202FY	Metal Oxide 2k 1/16W	R		RDA703	PRDARA340WJFW	Heat Sink (LC-37P55E)	R	
R789	VRS-TV1JD681FY	Metal Oxide 680 1/16W	R	AA AA	RDA704	PRDARA308WJFW	Heat Sink (for D737)	R	
R791	VRS-TV1JD103JY	Metal Oxide 10k 1/16W	R	AA AA	RDA705	PRDARA309WJFW	Heat Sink (for D736)	R	
R792	VRS-TV1JD272JY	Metal Oxide 2.7k 1/16W	R	AA AA	RDA706	PRDARA334WJFW	Heat Sink (LC-37P55E)	R	
R793	VRS-TV1JD103JY	Metal Oxide 10k 1/16W	R	AA AA	△ RY701	RRLYDA008WJZZ	Relay	R	AG AG
R794	VRS-TV1JD821FY	Metal Oxide 820 1/16W	R		△ SC701	QSOCAA008WJZZ	Socket, 2pin	R	
R795	VRS-TV1JD203FY	Metal Oxide 20k 1/16W	R			LCHSMA275WJZZ	Chassis	R	
R796	VRS-TV1JD272JY	Metal Oxide 2.7k 1/16W	R	AA AA		LHLDW1033CEKZ	Holder (LC-37P55E)	R	AA AA
R801	VRS-CY1JF122JY	Metal Oxide 1.2k 1/16W	R	AA AA		LHLDW1123GEZZ	Holder	R	AB AB
R805	VRS-TV1JD224JY	Metal Oxide 220k 1/16W	R			LHLDW1205CEZZ	Holder	R	AC AC
R809	VRS-CY1JF122JY	Metal Oxide 1.2k 1/16W	R	AA AA		LHLDWA055WJKZ	Holder	R	AC AC
R812	VRS-CY1JF122JY	Metal Oxide 1.2k 1/16W	R	AA AA		LHLDWA137WJZZ	Holder	R	
R817	VRS-TQ2EF122JY	Metal Oxide 1.2k 1/4W	R	AA AA		LX-BZ3049GEF7	Screw	R	AA AA
R820	VRS-CY1JF122JY	Metal Oxide 1.2k 1/16W	R	AA AA		LX-BZ3049GEF7	Screw	R	AA AA
R823	VRS-TV1JD103JY	Metal Oxide 10k 1/16W	R	AA AA		LX-BZ3049GEF7	Screw	R	AA AA
R824	VRS-TQ2EF332JY	Metal Oxide 3.3k 1/4W	R			LX-BZ3049GEF7	Screw	R	AA AA
R825	VRS-TV1JD103JY	Metal Oxide 10k 1/16W	R	AA AA		LX-BZA044WJFU	Screw	R	AA AA
R828	VRS-TQ2EF220JY	Metal Oxide 22 1/4W	R	AA AA		PMLT-A315WJZZ	Absorber (LC-32P55E)	R	
						PMLT-A316WJZZ	Absorber (LC-32P55E)	R	

REF No.	PARTS	DESCRIPTION	* SN CODE	EX CODE
<b>DUNTKD605FM01/02/03 (LC-26/32/37P55E)</b>				
<b>POWER Unit (Continued)</b>				
	QCNW-E232WJQZ	Connecting Cord (LC-32P55E/LC-26P55E)	R	
	QCNW-E234WJQZ	Connecting Cord	R	
	QCNW-E235WJQZ	Connecting Cord (LC-32P55E)	R	
	QCNW-E399WJQZ	Connecting Cord (LC-32P55E)	R	
	QCNW-E405WJQZ	Connecting Cord (LC-26P55E)	R	
	QCNW-E409WJQZ	Connecting Cord (LC-26P55E)	R	
	QCNW-E412WJQZ	Connecting Cord (LC-37P55E)	R	
	QCNW-E415WJQZ	Connecting Cord (LC-37P55E)	R	
	QCNW-E419WJQZ	Connecting Cord (LC-37P55E)	R	
	QEARPA212WJFW	Ground-Part	R	
	RCORFA023WJZZ	Core	R	AK AK
	XBPS830P06000	Screw	R	AA AA
	XBSSN30P06000	Screw (LC-37P55E)	R	AA AA
	XEBS930P08000	Screw	R	AA AA
	XJPS730P08WS0	Screw	R	AA AA
<b>DUNTKD606FMV0</b>				
<b>KEY Unit</b>				
<b>DIODE</b>				
D151	RH-EX0641GEZZY	Zener Diode	R	AA AA
<b>RESISTORS</b>				
R151	VRD-RA2BE182JY	Carbon 1.8k 1/8W	R	AA AA
R152	VRD-RA2BE431JY	Carbon 430 1/8W	R	
R153	VRD-RA2BE822JY	Carbon 8.2k 1/8W	R	AA AA
R155	VRD-RA2BE432JY	Carbon 4.3k 1/8W	R	
R156	VRD-RA2BE911JY	Carbon 910 1/8W	R	
<b>SWITCHES</b>				
S151	QSW-K0003AJZZ+	Switch, CH-UP	R	AB AB
S152	QSW-K0003AJZZ+	Switch, CH-DOWN	R	AB AB
S153	QSW-K0003AJZZ+	Switch, MENU	R	AB AB
S154	QSW-K0003AJZZ+	Switch, VOL-UP	R	AB AB
S155	QSW-K0003AJZZ+	Switch, VOL-DOWN	R	AB AB
S156	QSW-PA020WJZZ	Switch,	R	
<b>MISCELLANEOUS PART</b>				
P153	QPLGNA057WJZZ	Plug, 3pin (KM) (to MAIN5)	R	AB AB
<b>DUNTKD607FMV0</b>				
<b>R/C, LED Unit</b>				
<b>INTEGRATED CIRCUITS</b>				
IC101	VHITPS8501Y	TPS850	R	AG AG
<b>DIODE</b>				
D101	RH-EXA092WJZZY	Zener Diode, 12V	R	AB AB
D102	RH-PX0202TAZZY	GR1102W-330-TR	R	AC AC
D103	RH-PX0210TAZZY	BRPG1211C-TR	R	AC AC
D104	RH-PX0419CEZZY	PhotoDiode	R	AC AC
<b>CAPACITORS</b>				
C101	VCEASY1CN107MY	Electrolytic 100 16V	R	AC AC
C102	VCKYTV1CF225ZY	Ceramic 2.2 16V	R	AB AB
C104	VCEASX1CN106MY	Electrolytic 10 16V	R	AC AC
C105	VCKYCY1HF103ZY	Ceramic 0.01 50V	R	AA AA
<b>RESISTORS</b>				
R101	VRS-CY1JF101JY	Metal Oxide 100 1/16W	R	AA AA
R108	VRS-CY1JF271JY	Metal Oxide 270 1/16W	R	AA AA
R109	VRS-CY1JF122JY	Metal Oxide 1.2k 1/16W	R	AA AA
R112	VRS-CY1JF471JY	Metal Oxide 470 1/16W	R	AA AA
R114	VRS-CY1JF821JY	Metal Oxide 820 1/16W	R	AA AA
<b>MISCELLANEOUS PARTS</b>				
P101	QPLGNA344WJZZY	Plug, 10pin (RA) (to MAIN5)	R	AD AD
RMC101	RRMCUA053WJZZ	Remote Receiver	R	
SLD101	PSLDM4646CEFW	Shield	R	AD AD

REF No.	PARTS	DESCRIPTION	* SN CODE	EX CODE
<b>DUNTKD608FM02</b>				
<b>TUNER Unit</b>				
<b>TUNER</b>				
▲ TU201	RTUNQA021WJZZ	Tuner	S	AH AT
<b>INTEGRATED CIRCUIT</b>				
IC201	VHITDA9886+-1Y	TDA9886	R	
<b>TRANSISTORS</b>				
Q201	VS2SC2735//1EY	2SC2735	R	AC AC
Q202	VS2SC2735//1EY	2SC2735	R	AC AC
Q203	VS2SC3928AR-1Y	2SC3928AR	R	AB AB
Q204	VS2SA1530AR-1Y	2SA1530AR	R	AB AB
<b>DIODES</b>				
D201	VHD1SS390+-1Y	1SS390	R	AB AB
D202	RH-EX0677GEZZY	Zener Diode, 33V	R	AC AC
D203	VHD1SS390+-1Y	1SS390	R	AB AB
D204	VHD1SS390+-1Y	1SS390	R	AB AB
D205	VHD1SS390+-1Y	1SS390	R	AB AB
D206	VHD1SS390+-1Y	1SS390	R	AB AB
<b>PACKAGED CIRCUIT</b>				
X201	RCRCAA029WJZZ	Crystal	R	AF AF
<b>COILS AND FILTERS</b>				
FL201	RFILC0278BMZZ	Filter	R	AM AM
FL202	RFILC0294BMZZ	Filter	R	
L201	VPCNN1R2JR58NY	Peaking, 1.2μH	R	AB AB
L202	VPCNN1R2JR58NY	Peaking, 1.2μH	R	AB AB
L203	VP-MK100J0000+	Peaking, 10μH	R	
L204	VP-MK120J0000+	Peaking, 1.2μH	R	
L205	VPCNN330J4R2NY	Peaking, 33μH	R	
<b>CAPACITORS</b>				
C201	VCESKA1AM336M+	33 10V	R	
C202	VCCCCY1HH220JY	Ceramic 22p 50V	R	AA AA
C203	VCCCCY1HH220JY	Ceramic 22p 50V	R	AA AA
C204	VCESKA1CM477M+	470 16V	R	AD AD
C205	VCKYCY1HF103ZY	Ceramic 0.01 50V	R	AA AA
C206	VCESKA1CM107M+	10 16V	R	AC AC
C207	VCESKA1HM106M+	10 50V	R	
C208	VCKYCY1HF103ZY	Ceramic 0.01 50V	R	AA AA
C209	VCKYCY1HF103ZY	Ceramic 0.01 50V	R	AA AA
C210	VCKYCY1HF103ZY	Ceramic 0.01 50V	R	AA AA
C211	VCKYCY1HF103ZY	Ceramic 0.01 50V	R	AA AA
C212	VCKYCY1HF103ZY	Ceramic 0.01 50V	R	AA AA
C213	VCKYCY1HF103ZY	Ceramic 0.01 50V	R	AA AA
C214	VCKYCY1HF103ZY	Ceramic 0.01 50V	R	AA AA
C215	VCKYCY1HF103ZY	Ceramic 0.01 50V	R	AA AA
C216	VCKYCY1HF103ZY	Ceramic 0.01 50V	R	AA AA
C217	VCESKA1HM106M+	10 50V	R	
C218	VCKYCY1HB103KY	Ceramic 0.01 50V	R	AA AA
C219	VCKYCY1EF104ZY	Ceramic 0.1 25V	R	AA AA
C220	VCKYCY1HF103ZY	Ceramic 0.01 50V	R	AA AA
C221	VCESKA1CM107M+	10 16V	R	AC AC
C222	VCKYCY1EF104ZY	Ceramic 0.1 25V	R	AA AA
C223	VCCCCY1HH391JY	Ceramic 390p 50V	R	AB AB
C224	VCKYTV1CB224KY	Ceramic 0.22 16V	R	AB AB
C225	VCKYCY1HB152KY	Ceramic 150p 50V	R	AA AA
C226	VCESKA1AM227M+	220 10V	R	AD AD
C227	VCKYCY1HF103ZY	Ceramic 0.01 50V	R	AA AA
C228	VCKYTV1CB474KY	Ceramic 0.47 16V	R	AC AC
C229	VCCCCY1HH120JY	Ceramic 12p 50V	R	AA AA
C230	VCESKA1HM106M+	10 50V	R	
C231	VCKYCY1HF103ZY	Ceramic 0.01 50V	R	AA AA
C232	VCCCCY1HH330JY	Ceramic 33p 50V	R	AA AA

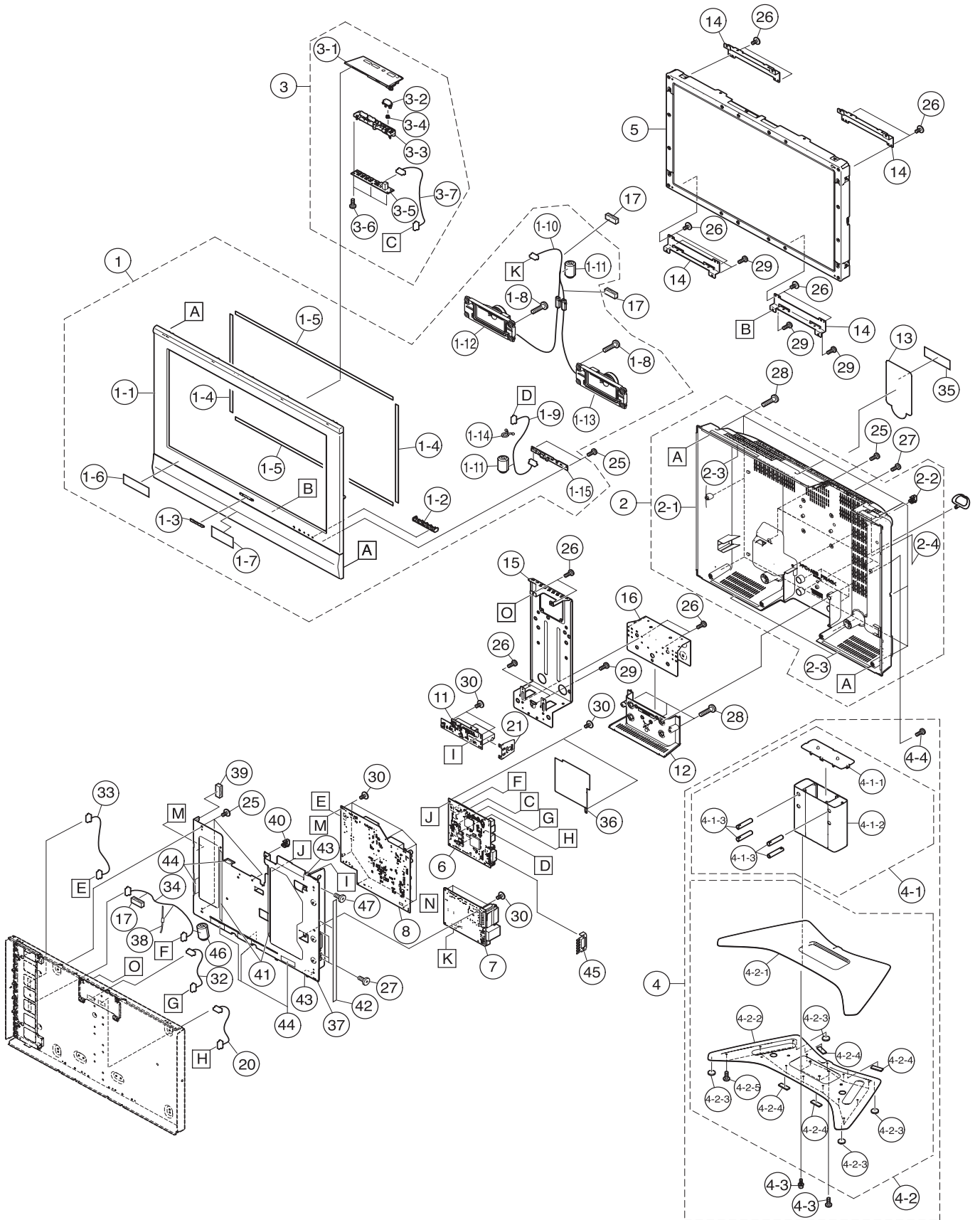
REF No.	PARTS	DESCRIPTION	* SN CODE	EX CODE
C233	VCKYCY1HB102KY	Ceramic 100p 50V	R AA	AA
C234	VCKYCY1EF104ZY	Ceramic 0.1 25V	R AA	AA
C235	VCKYCY1HB103KY	Ceramic 0.01 50V	R AA	AA
<b>RESISTORS</b>				
R201	VRS-CY1JF104JY	Metal Oxide 10k 1/16W	R AA	AA
R202	VRS-CY1JF681JY	Metal Oxide 680 1/16W	R AA	AA
R203	VRS-CY1JF683JY	Metal Oxide 68k 1/16W	R AA	AA
R204	VRS-CY1JF123JY	Metal Oxide 12k 1/16W	R AA	AA
R205	VRS-CY1JF473JY	Metal Oxide 47k 1/16W	R AA	AA
R206	VRS-CY1JF000JY	Metal Oxide 0 1/16W	R AA	AA
R207	VRS-CY1JF470JY	Metal Oxide 47 1/16W	R AA	AA
R208	VRS-CY1JF470JY	Metal Oxide 47 1/16W	R AA	AA
R209	VRS-CY1JF123JY	Metal Oxide 12k 1/16W	R AA	AA
R210	VRS-CY1JF680JY	Metal Oxide 68 1/16W	R AA	AA
R211	VRS-CY1JF680JY	Metal Oxide 68 1/16W	R AA	AA
R212	VRS-CY1JF101JY	Metal Oxide 10 1/16W	R AA	AA
R213	VRS-CY1JF101JY	Metal Oxide 10 1/16W	R AA	AA
R214	VRS-CY1JF820JY	Metal Oxide 82 1/16W	R AA	AA
R215	VRS-CY1JF122JY	Metal Oxide 1.2k 1/16W	R AA	AA
R216	VRS-CY1JF122JY	Metal Oxide 1.2k 1/16W	R AA	AA
R217	VRS-CY1JF122JY	Metal Oxide 1.2k 1/16W	R AA	AA
R218	VRS-CY1JF821JY	Metal Oxide 820 1/16W	R AA	AA
R219	VRS-CY1JF222JY	Metal Oxide 2.2k 1/16W	R AA	AA
R220	VRS-CY1JF392JY	Metal Oxide 3.9k 1/16W	R AA	AA
R221	VRS-CY1JF392JY	Metal Oxide 3.9k 1/16W	R AA	AA
R223	VRS-CY1JF562JY	Metal Oxide 5.6k 1/16W	R AA	AA
R224	VRS-CY1JF562JY	Metal Oxide 5.6k 1/16W	R AA	AA
R226	VRS-CY1JF103JY	Metal Oxide 10k 1/16W	R AA	AA
R227	VRS-CY1JF103JY	Metal Oxide 10k 1/16W	R AA	AA
R228	VRS-CY1JF223JY	Metal Oxide 22k 1/16W	R AA	AA
R229	VRS-CY1JF223JY	Metal Oxide 22k 1/16W	R AA	AA
R230	VRS-CY1JF562JY	Metal Oxide 5.6k 1/16W	R AA	AA
R231	VRS-TQ2BD330JY	Metal Oxide 33 1/8W	R AA	AA
R232	VRS-CY1JF331JY	Metal Oxide 330 1/16W	R AA	AA
R233	VRS-CY1JF821JY	Metal Oxide 820 1/16W	R AA	AA
R234	VRS-CY1JF271JY	Metal Oxide 270 1/16W	R AA	AA
R235	VRS-CY1JF101JY	Metal Oxide 10 1/16W	R AA	AA
R236	VRS-CY1JF101JY	Metal Oxide 10 1/16W	R AA	AA
R237	VRS-CY1JF331JY	Metal Oxide 330 1/16W	R AA	AA
R238	VRS-CY1JF151JY	Metal Oxide 150 1/16W	R AA	AA
R239	VRS-CY1JF101JY	Metal Oxide 10 1/16W	R AA	AA
R240	VRS-CY1JF331JY	Metal Oxide 330 1/16W	R AA	AA
R241	VRS-CY1JF103JY	Metal Oxide 10k 1/16W	R AA	AA
R242	VRS-CY1JF392JY	Metal Oxide 3.9k 1/16W	R AA	AA
R243	VRS-CY1JF101JY	Metal Oxide 10 1/16W	R AA	AA
R244	VRS-CY1JF221JY	Metal Oxide 220 1/16W	R AA	AA
R245	VRS-TW2ED561JY	Metal Oxide 560 1/4W	R AA	AA
R246	VRS-CY1JF680JY	Metal Oxide 68 1/16W	R AA	AA
RJ1	VRS-CY1JF000JY	Metal Oxide 0 1/16W	R AA	AA
RJ2	VRS-CY1JF000JY	Metal Oxide 0 1/16W	R AA	AA
RJ3	VRS-CY1JF000JY	Metal Oxide 0 1/16W	R AA	AA
RJ4	VRS-CY1JF000JY	Metal Oxide 0 1/16W	R AA	AA
RJ5	VRS-CY1JF000JY	Metal Oxide 0 1/16W	R AA	AA
<b>MISCELLANEOUS PARTS</b>				
FB201	RBLN-0210TAZZY	Ferrite Beads	R AB	AB
FB202	RBLN-0065CEZZY	Ferrite Beads	R AC	AC
LUG201	QLUGHA002WJZZ	Lug	R AB	AB
LUG202	QLUGHA002WJZZ	Lug	R AB	AB
LUG203	QLUGHA002WJZZ	Lug	R AB	AB
P201	QCNCMA012WJZZ	Connector, 15pin (to MAIN2)	R AD	AD
	PSLDMA898WJFW	Shield	R	
	LHLDW1072GEZZ	Holder	R AA	AA

**CABINET AND MECHANICAL PARTS LISTING**  
**(LC-26P55E/K/F//R)**

REF No.	PARTS	DESCRIPTION	* SN CODE	EX CODE
1	CCABAB234WJ01	Front Cabinet Ass'y	S AX	BL
1-1	Not Available	Front Cabinet	- -	-
1-2	GCOVAB478WJSA	LED Cover	S --	--
1-3	HBDGBA056WJSA	Badge, SHARP	S --	--
1-4	PSPAHA700WJZZ	Mask Spacer, x2	S --	--
1-5	PSPAHA701WJZZ	Mask Spacer, x2	S --	--
1-7	TLABZB033WJZZ	POP Label	S --	--
1-8	LX-HZA003WJFN	Screw, x2	S -	-
1-9	QCNW-E403WJQZ	Connecting Cord (RA)	S --	--
1-10	QCNW-E406WJQZ	Connecting Cord (SP)	S --	--
1-11	RCORFA023WJZZ	Core for LED Wire	S AC	AG
1-12	RSP-ZA157WJZZ	SPEAKER 00S-LPE55 8 OHM 15W	S AH	AU
1-13	RSP-ZA158WJZZ	SPEAKER 00S-RPE55 8 OHM 15W	S AH	AU
1-14	LHLDW1033PEZZ	Wire Tie	S AD	AD
1-15	DUNTKD607FMV0	R/C,LED Unit	R	
2	CCABBA712WJ01	Rear Cabinet Ass'y	S AV	BG
2-1	Not Available	Rear Cabinet	- -	-
2-2	LHLDWA055WJKZ	Wire Holder for AC-code	S --	--
2-3	PSPAHA837WJZZ	Spacer, x3	S -	-
2-4	PSPAHA838WJZZ	Spacer	S -	-
3	CCOVAB480WJ01	Top Cover Ass'y	S AK	AW
3-1	Not Available	Top Cover	- -	-
3-2	JBTN-A524WJKA	Power Button	S --	--
3-3	JBTN-A525WJKA	Operation Button	S --	--
3-4	MSPRCA068WJFW	Power Button Spring	S --	--
3-5	DUNTKD606FMV0	KEY Unit	R	
3-6	XEBS930P08000	Screw	S AA	AA
3-7	QCNW-E232WJQZ	Connecting Cord (KM)	R	
4	CDAi-A245WJ02	Stand Ass'y	S AV	BH
4-1	CDAi-A243WJ01	Stand Support Ass'y	S --	--
4-1-1	GCOVAB490WJSA	Support Cover	S --	--
4-1-2	GDAi-A243WJSA	Stand Support	S --	--
4-1-3	HDECQA603WJKA	Screw Guide, x4	S --	--
4-2	CDAi-A245WJ01	Stand Base Ass'y	S --	--
4-2-1	GDAi-A245WJKA	Stand Base Cover	S --	--
4-2-2	LANGKA634WJZZ	Base Angle	S --	--
4-2-3	PSPAZA999WJZZ	LEG Cushion A, x4	S --	--
4-2-4	PSPAQB001WJZZ	LEG Cushion B, x4	S --	--
4-2-5	XEBS740P10000	Screw, x10	S --	--
4-3	LX-BZA146WJF7	Screw, x4	S --	--
4-4	LX-BZA147WJF8	Screw, x4	S --	--
5	R1LK255P3LZ10Z	26V LCD Panel Module Unit	R	
6	DUNTKD603FM01	MAIN Unit	R	
7	DUNTKD604FM01	AV Unit	R	
8	DUNTKD605FM02	POWER Unit	R	
11	CKITKD608FM02	TUNER Unit	S AS	BD
12	GCOVAB488WJKA	Bottom Cover	S AC	AK
13	HINDPB542WJSA	Model Label (LC-26P55E/K/F)	S --	--
13	HINDPB543WJSA	Model Label (LC-26P55I)	S --	--
13	HINDPB544WJSA	Model Label (LC-26P55R)	S --	--
13	HINDPB674WJSA	Model Label (LC-26P55R_VESTEL)	S --	--

REF No.	PARTS	DESCRIPTION	* SN CODE	EX CODE
14	LANGKA640WJFW	LCD Angle, x4	S --	--
15	LANGTA265WJFW	Center Angle	S --	--
16	LANGTA266WJFW	Stand Angle	S --	--
17	LHLDW1173CEZZ	Holder, x3	S AA	AD
20	QCNW-E237WJPZ	Connecting Cord (LV)	S --	--
21	QEARZA096WJFW	Tuner Earth Plate	S --	--
25	XBBS930P06000	Screw, x8	S --	--
26	XBPS730P06WS0	Screw, x14	S --	--
27	XEBS930P08000	Screw, x3	S --	--
28	XEBS940P16000	Screw, x13	S --	--
29	XEBSN40P10000	Screw, x5	S --	--
30	XJPS730P08WS0	Screw, x12	S --	--
32	QCNW-E234WJQZ	Connecting Cord (SH)	R	
33	QCNW-E405WJQZ	Connecting Cord (LA)	R	
34	QCNW-E409WJQZ	Connecting Cord (LB)	R	
35	Not Available	No. Label	- -	-
36	PSLDMA876WJFW	Main Shield	R	
37	LCHSMA275WJZZ	Chassis Plate	S -	-
38	LHLDW1033PEZZ	Wire Tie	S -	-
39	LHLDW1205CEZZ	Holder,x2	S -	-
40	LHLDWA055WJKZ	Holder	S AA	AB
41	PMLT-A315WJZZ	Gasket,x2	S -	-
42	PSPAHA796WJZZ	Spacer	S -	-
43	PSPAHA797WJZZ	Spacer,x2	S -	-
44	PSPAHA822WJZZ	Spacer,x6	S -	-
45	QEARPA212WJFW	Earth Plate	S -	-
46	RCORFA023WJZZ	Core	S AC	AG
47	XEPS830P06000	Screw	S -	-

# CABINET AND MECHANICAL PARTS (LC-26P55E)

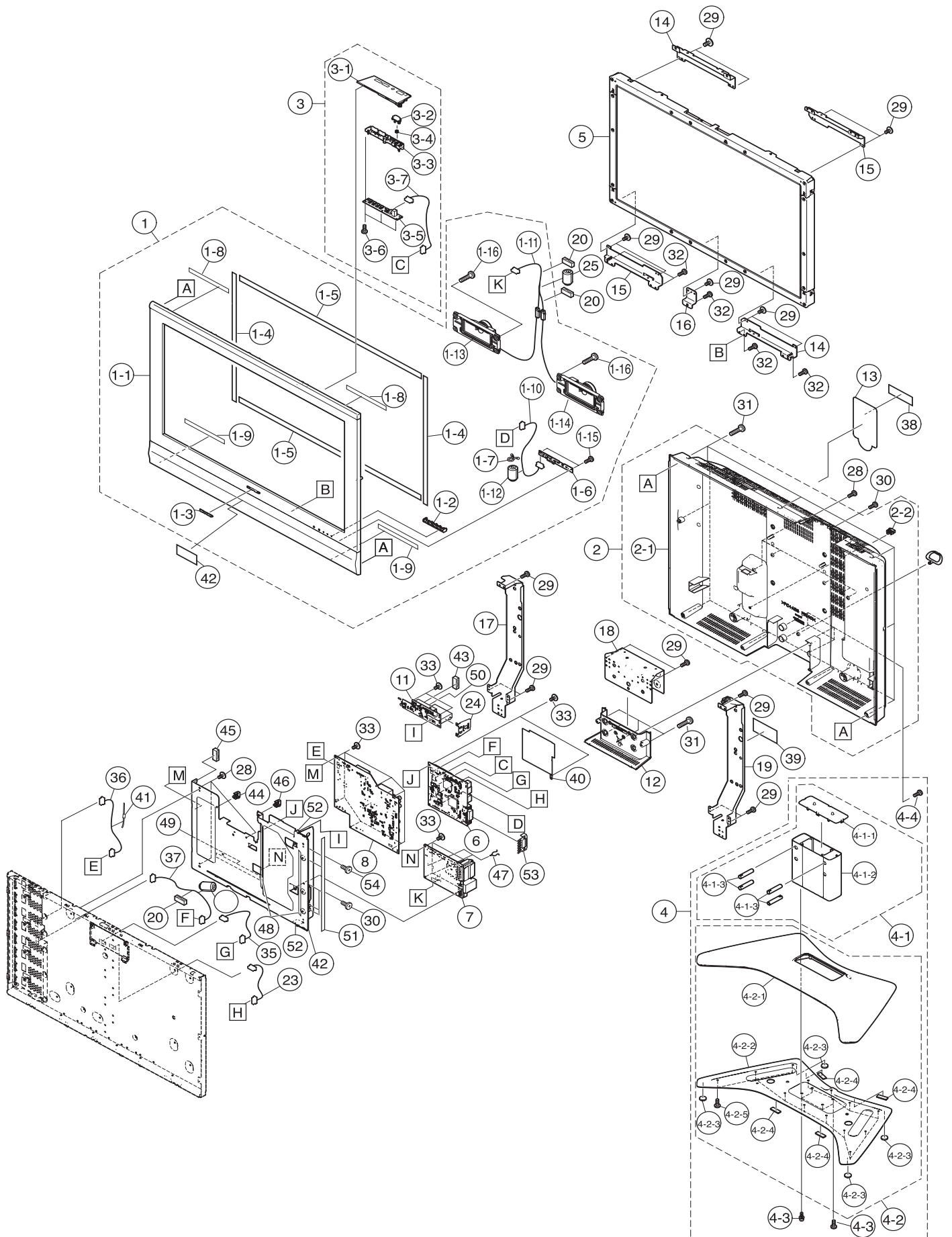


**CABINET AND MECHANICAL PARTS LISTING**  
**(LC-32P55E/K/F/I/R)**

REF No.	PARTS	DESCRIPTION	*	SN CODE	EX CODE
1	CCABAB235WJ01	Front Cabinet Ass'y	S	AZ	BP
1-1	Not Available	Front Cabinet	-	-	-
1-2	GCOVAB478WJSA	LED Cover	S	--	--
1-3	HBDBA056WJSA	Badge, SHARP	S	--	--
1-4	PSPAHA607WJZZ	Mask Spacer, x2	S	--	--
1-5	PSPAHA608WJZZ	Mask Spacer, x2	S	--	--
1-6	DUNTKD607FMV0	R/C.LED Unit	R		
1-7	LHLDW1033PEZZ	Wire Holder	S	-	-
1-8	PSPAHA786WJZZ	Spacer, x2	S	-	-
1-9	PSPAHA790WJZZ	Spacer, x2	S	-	-
1-10	QCNW-E233WJQZ	Connecting Cord (RA)	S	--	--
1-11	QCNW-E236WJQZ	Connecting Cord (SP)	S	--	--
1-12	RCORF0103CEZZ	Core for RA Wire	S	--	--
1-13	RSP-ZA157WJZZ	SPEAKER 00S-LPE55 8 OHM 15W	S	AH	AU
1-14	RSP-ZA158WJZZ	SPEAKER 00S-RPE55 8 OHM 15W	S	AH	AU
1-15	XEBS930P08000	Screw, x2	S	--	--
1-16	LX-HZA003WJFN	Screw, x2	S	-	-
2	CCABBA713WJ01	Rear Cabinet Ass'y	S	AZ	BN
2-1	Not Available	Rear Cabinet	-	-	-
2-2	LHLDWA055WJKZ	Wire Holder for AC-code	S	--	--
3	CCOVAB480WJ01	Top Cover Ass'y	S	AK	AW
3-1	Not Available	Top Cover	-	-	-
3-2	JBTN-A524WJKA	Power Button	S	--	--
3-3	JBTN-A525WJKA	Operation Button	S	--	--
3-4	MSPRCA068WJFW	Power Button Spring	S	--	--
3-5	DUNTKD606FMV0	KEY Unit	R		
3-6	XEBS930P08000	Screw, x3	S	--	--
3-7	QCNW-E232WJQZ	Connecting Cord (KM)	R		
4	CDAl-A246WJ04	Stand Ass'y	S	AX	BL
4-1	CDAl-A247WJ01	Stand Support Ass'y	S	--	--
4-1-1	GCOVAB483WJSA	Support Cover	S	--	--
4-1-2	GDAI-A247WJSA	Stand Support	S	--	--
4-1-3	HDECA600WJKA	Screw Guide, x4	S	--	--
4-2	CDAl-A246WJ03	Stand Base Ass'y	S	--	--
4-2-1	GDAI-A246WJKB	Stand Base Cover	S	--	--
4-2-2	LANGKA635WJZZ	Base Angle	S	--	--
4-2-3	PSPAZA949WJZZ	LEG Cushion A, x4	S	--	--
4-2-4	PSPAZA950WJZZ	LEG Cushion B, x4	S	--	--
4-2-5	XEBS740P10000	Screw, x10	S	--	--
4-3	LX-BZA146WJF7	Screw, x4	S	--	--
4-4	LX-BZA147WJF8	Screw, x4	S	--	--
5	R1LK315P3LZ10Z	32V LCD Panel Module Unit	R		
6	DUNTKD603FM01	MAIN Unit	R		
7	DUNTKD604FM01	AV Unit	R		
8	DUNTKD605FM01	POWER Unit	R		
11	CKITKD608FM02	TUNER Unit	S	AS	BD
12	GCOVAB488WJKA	Bottom Cover	S	AC	AK
13	HiNDPB545WJSA	Model Label (LC-32P55E/K/F)	S	--	--
13	HiNDPB546WJSA	Model Label (LC-32P55I)	S	--	--
13	HiNDPB547WJSA	Model Label (LC-32P55R)	S	--	--
13	HiNDPB675WJSA	Model Label (LC-32P55R_VESTEL)	S	--	--
14	LANGKA638WJFW	LCD Angle A, x2	S	--	--
15	LANGKA639WJFW	LCD Angle B, x2	S	--	--
16	LANGKA672WJFW	LCD Angle C	S	--	--
17	LANGTA263WJFW	Center Angle L	S	--	--
18	LANGTA266WJFW	Stand Angle	S	--	--
19	LANGTA267WJFW	Center Angle R	S	--	--
20	LHLDW1173CEZZ	Holder, x3	S	--	--
23	QCNW-E237WJPZ	Connecting Cord (LV)	S	--	--

REF No.	PARTS	DESCRIPTION	*	SN CODE	EX CODE
24	QEARZA096WJFW	Tuner Earth Plate	S	--	--
25	RCORF0103CEZZ	Core for SP Wire	S	--	--
28	XBBS930P06000	Screw, x10	S	--	--
29	XBPS730P06WS0	Screw, x17	S	--	--
30	XEBS930P08000	Screw, x3	S	--	--
31	XEBS940P16000	Screw, x12	S	--	--
32	XEBSN40P10000	Screw, x5	S	--	--
33	XJPS730P08WS0	Screw, x14	S	--	--
35	QCNW-E234WJQZ	Connecting Cord (SH)	R		
36	QCNW-E235WJQZ	Connecting Cord (LA)	R		
37	QCNW-E399WJQZ	Connecting Cord (LB)	R		
38	Not Available	No. Label	-	-	-
39	PFLT-A054WJZZ	EMC Sheet	S	-	-
40	PSLDM876WJFW	Main Shield	R		
41	LHLDW1033CE00	Holder	S	-	-
42	TLABZB033WJZZ	POP Label	S	--	--
43	LCHSMA275WJZZ	Chassis Plate	S	--	--
44	LHLDW1072GEZZ	Holder	S	--	--
45	LHLDW1164CEZZ	Holder	S	--	--
46	LHLDW1205CEZZ	Holder,x2	S	--	--
47	LHLDWA055WJKZ	Holder	S	--	--
48	LHLDWA137WJKZ	Holder,x2	S	--	--
49	PMLT-A315WJZZ	Gasket,x2	S	--	--
50	PMLT-A316WJZZ	Gasket	S	--	--
51	PSLDM898WJFW	Shield	S	--	--
52	PSPAHA796WJZZ	Spacer	S	--	--
53	PSPAHA797WJZZ	Spacer	S	--	--
54	QEARPA212WJFW	Earth Plate	S	--	--
55	XBPS830P06000	Screw	S	--	--

### CABINET AND MECHANICAL PARTS (LC-32P55E)



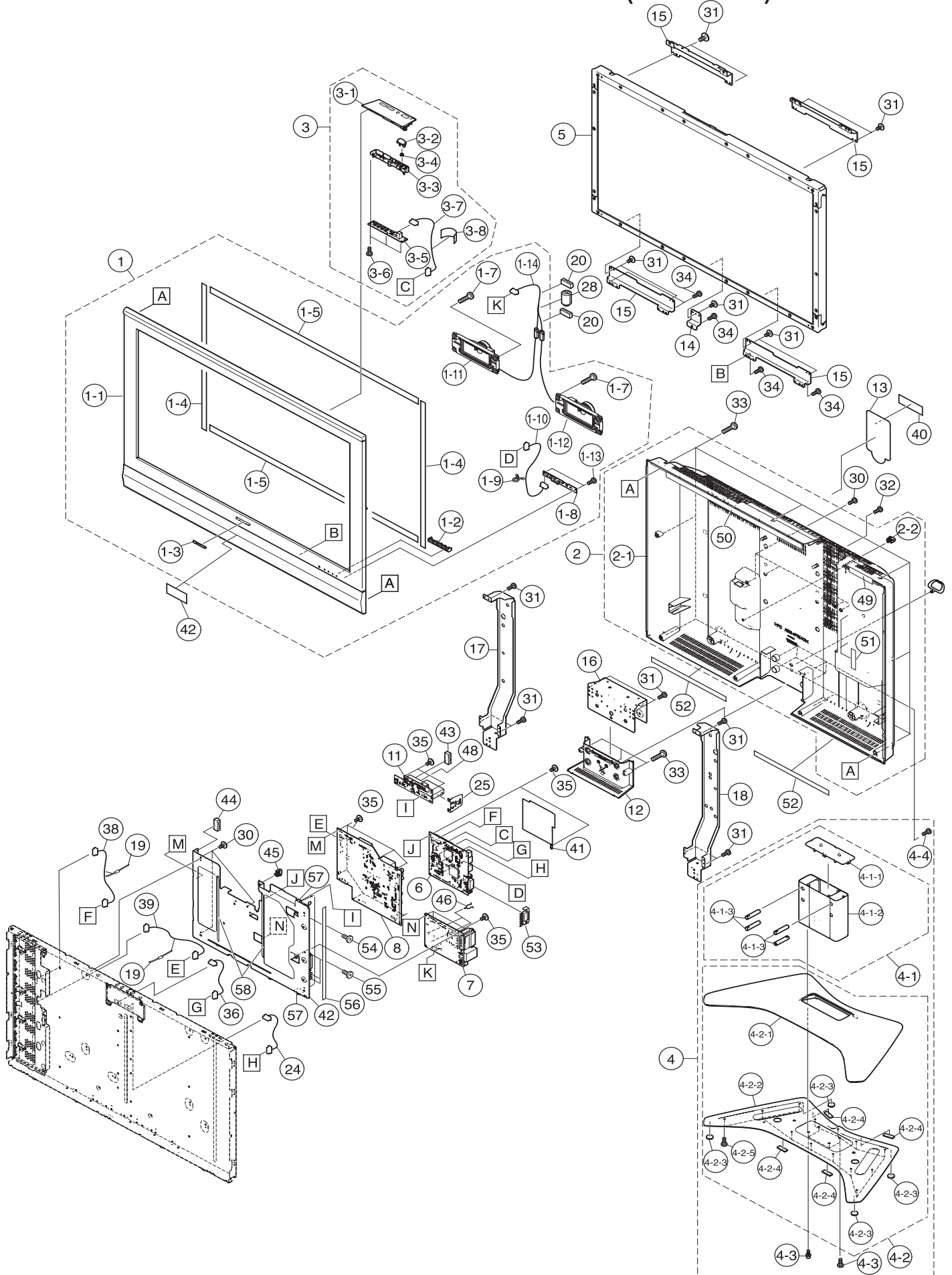
**CABINET AND MECHANICAL PARTS LISTING**  
**(LC-37P55E/K/F/I/R)**

REF No.	PARTS	DESCRIPTION	*	SN CODE	EX CODE
1	CCABAB236WJ01	Front Cabinet Ass'y	S	BA	BQ
1-1	Not Available	Front Cabinet	-	-	-
1-2	GCOVAB478WJSA	LED Cover	S	--	--
1-3	HBDGBA060WJSA	Badge, SHARP	S	--	--
1-4	PSPAHA671WJZZ	Mask Spacer, x2	S	--	--
1-5	PSPAHA692WJZZ	Mask Spacer, x2	S	--	--
1-7	LX-HZA003WJFN	Screw, x2	S	-	-
1-8	DUNTKD607FMV0	R/C,LED Unit	R		
1-9	LHLDW1033CE00	Holder	S	AA	AA
1-10	QCNW-E413WJQZ	Connecting Cord (RA)	S	--	--
1-11	RSP-ZA157WJZZ	SPEAKER 00S-LPE55 8 OHM 15W	S	AH	AU
1-12	RSP-ZA158WJZZ	SPEAKER 00S-RPE55 8 OHM 15W	S	AH	AU
1-13	XEBS930P08000	Screw	S	--	--
1-14	QCNW-E416WJQZ	Connecting Cord (SP)	S	--	--
2	CCABBA714WJ01	Rear Cabinet Ass'y	S	AY	BM
2-1	Not Available	Rear Cabinet	-	-	-
2-2	LHLDWA055WJKZ	Wire Holder for AC-code	S	--	--
3	CCOVAB480WJ01	Top Cover Ass'y	S	AK	AW
3-1	Not Available	Top Cover	-	-	-
3-2	JBTN-A524WJKA	Power Button	S	--	--
3-3	JBTN-A525WJKA	Operation Button	S	--	--
3-4	MSPRCA068WJFW	Power Button Spring	S	--	--
3-5	DUNTKD606FMV0	KEY Unit	R		
3-6	XEBS930P08000	Screw, x3	S	--	--
3-7	QCNW-E412WJQZ	Connecting Cord (KM)	R		
3-8	PSHEFA018WJZZ	Sheet	S	AA	AA
4	CDAi-A246WJ04	Stand Ass'y	S	AX	BL
4-1	CDAi-A247WJ01	Stand Support Ass'y	S	--	--
4-1-1	GCOVAB483WJSA	Support Cover	S	--	--
4-1-2	GDAi-A247WJSA	Stand Support	S	--	--
4-1-3	HDECQA600WJKA	Screw Guide, x4	S	--	--
4-2	CDAi-A246WJ03	Stand Base Ass'y	S	--	--
4-2-1	GDAi-A246WJKB	Stand Base Cover	S	--	--
4-2-2	LANGKA635WJZZ	Base Angle	S	--	--
4-2-3	PSPAZA949WJZZ	LEG Cushion A, x4	S	--	--
4-2-4	PSPAZA950WJZZ	LEG Cushion B, x4	S	--	--
4-2-5	XEBS740P10000	Screw, x10	S	--	--
4-3	LX-BZA146WJF7	Screw, x4	S	--	--
4-4	LX-BZA147WJF8	Screw, x4	S	--	--
5	R1LK370P3LZ10Z	37V LCD Panel Module Unit	R		
6	DUNTKD603FM01	MAIN Unit	R		
7	DUNTKD604FM01	AV Unit	R		
8	DUNTKD605FM03	POWER Unit	R		
11	CKITKD608FM02	TUNER Unit	S	AS	BD
12	GCOVAB488WJKA	Bottom Cover	S	AC	AK
13	HINDPB548WJSA	Model Label (LC-37P55E/K/F)	S	--	--
13	HINDPB549WJSA	Model Label (LC-37P55I)	S	-	-
13	HINDPB550WJSA	Model Label (LC-37P55R)	S	-	-
14	LANGKA672WJFW	LCD Angle C	S	--	--
15	LANGKA675WJFW	LCD Angle, x4	S	--	--
16	LANGTA266WJFW	Stand Angle	S	--	--
17	LANGTA268WJFW	Center Angle L	S	--	--
18	LANGTA269WJFW	Center Angle R	S	--	--
19	LHLDW1033CE00	Holder	S	--	--
20	LHLDW1173CEZZ	Holder, x2	S	--	--
24	QCNW-E237WJPZ	Connecting Cord (LV)	S	--	--
25	QEARZA096WJFW	Tuner Earth Plate	S	--	--
28	RCORF0103CEZZ	Core for SP Wire	S	--	--
29	RCORFA023WJZZ	Core	S	--	--
30	XBBS930P06000	Screw, x10	S	--	--
31	XBPS730P06WS0	Screw, x17	S	--	--

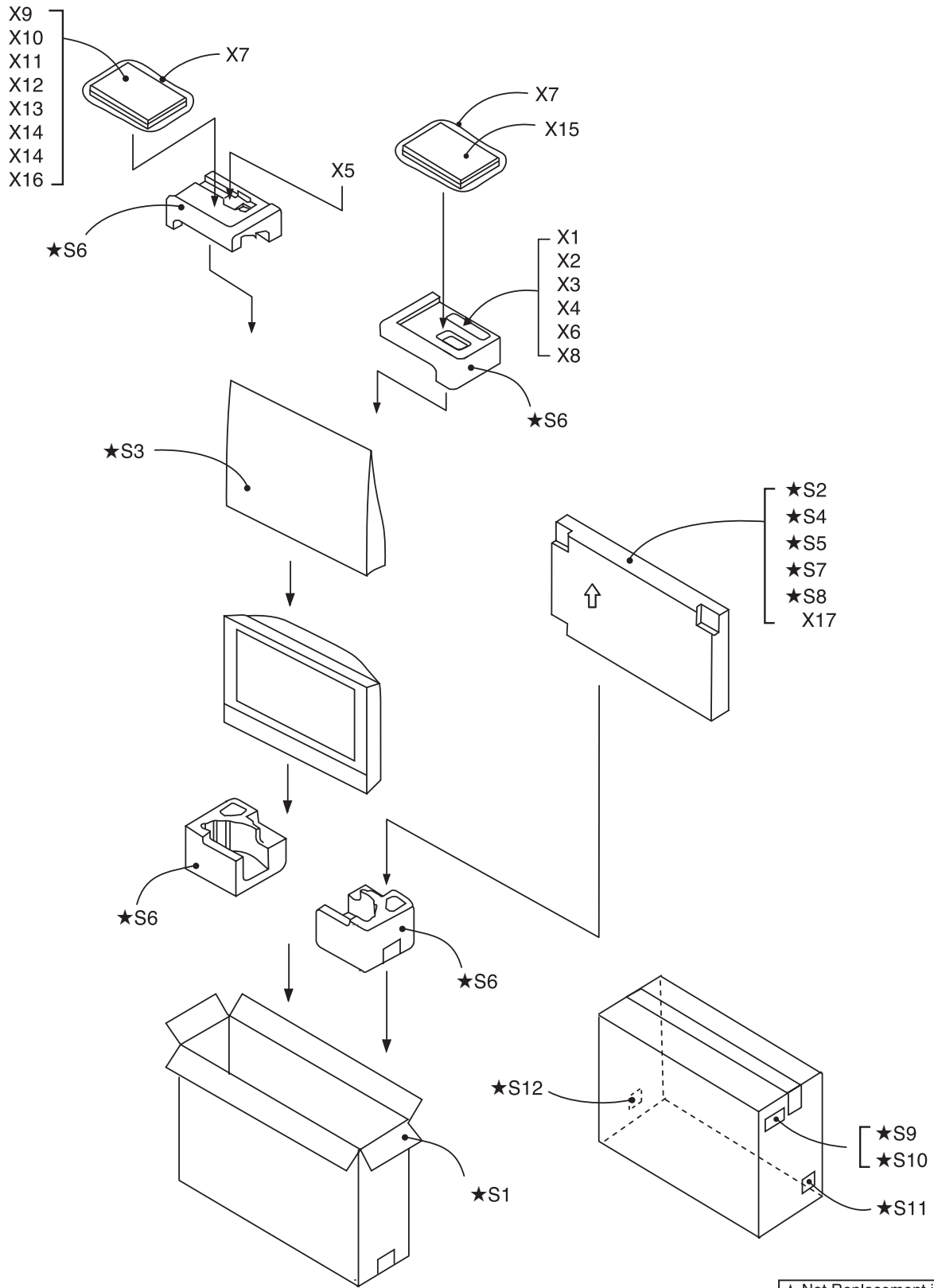
REF No.	PARTS	DESCRIPTION	*	SN CODE	EX CODE
32	XEBS930P08000	Screw, x3	S	--	--
33	XEBS940P16000	Screw, x12	S	--	--
34	XEBSN40P10000	Screw, x5	S	--	--
35	XJPS730P08WS0	Screw, x2	S	--	--
36	QCNW-E234WJQZ	Connecting Cord (SH)	R		
38	QCNW-E415WJQZ	Connecting Cord (LA)	R		
39	QCNW-E419WJQZ	Connecting Cord (LB)	R		
40	Not Available	No. Label	-	-	-
41	PSLDMA876WJFW	Main Shield	R		
42	TLABZB033WJZZ	POP Label	S	-	-
43	LCHSMA275WJZZ	Chassis Plate	S	-	-
44	LHLDW1072GEZZ	Holder	S	-	-
45	LHLDW1205CEZZ	Holder,x2	S	-	-
46	LHLDWA055WJKZ	Holder	S	--	--
47	LHLDWA137WJKZ	Holder,x2	S	-	-
49	PSLDMA898WJZZ	Shield	S	-	-
50	PSPAHA823WJZZ	Spacer	S	-	-
51	PSPAHA824WJZZ	Spacer	S	-	-
52	PSPAHA826WJZZ	Spacer,x2	S	-	-
53	PSPAHA834WJZZ	Spacer,x2	S	-	-
54	QEARPA212WJFW	Earth Plate	S	-	-
55	XBPS830P06000	Screw, x10	S	-	-
56	XEBS930P08000	Screw, x3	S	-	-
57	PSPAHA796WJZZ	Spacer	S	-	-
58	PSPAHA797WJZZ	Spacer, x2	S	-	-
59	PMLT-A315WJZZ	Gasket, x2	S	-	-



# CABINET AND MECHANICAL PARTS (LC-37P55E)



## PACKING OF THE SET



**SUPPLIED ACCESSORIES PARTS LISTING**

REF No.	PARTS	DESCRIPTION	* SN CODE	EX CODE
X1	LHLDW0110CESD	Cable Clamp	S AB	AE
X2	LHLDWA083WJ00	Cable tie	S AA	AC
X3	QACCKA007WJPZ	AC Cord (P55E/F//R)	S AD	AM
X3	QACCCA021WJPZ	AC Cord (P55K)	S -	-
X3	QACCCA054WJPZ	AC Cord (P55K)	S --	--
X4	QCNWGA075WJPZ	3 RCA to 15-pin D-sub adapter	S AF	AR
X5	RRMCGA387WJSA	Remote control unit	S AK	AW
X6	SSAKAA009WJZZ	Polyethylene Bag	S AA	AA
X7	SSAKAA010WJZZ	Polyethylene Bag	S AA	AA
X8	RCORFA020WJZZ	Core (for AC Cord)	S AF	AQ
X9	TCAUZA223WJZZ	Caution Card	S AA	AB
X10	TGAN-A077WJZZ	Warranty Card (P55R)	S AA	AD
X10	TGAN-A342WJZZ	Warranty Card (P55K)	S AB	AF
X11	TGAN-A512WJZZ	AQUOS Care Plan (P55K)	S AA	AD
X12	SSAKAA010WJZZ	Polyethylene Bag	S AA	AA
X13	TINS-C152WJZZ	Operation Manual (ENGLISH...) (P55E/K/F//I)	S AF	AR
X14	TINS-C153WJZZ	Operation Manual (SWEDISH...) (P55E/F)	S AF	AR
X15	TINS-C154WJZZ	Operation Manual (POLISH...) (P55E)	S AE	AN
X16	TINS-C156WJZZ	Operation Manual (RUSSIAN...) (P55R)	S --	--
X17	UKOGLA002WJZZ	Stand unit (LC-26P55)	S --	--
X17	UKOGLA001WJZZ	Stand unit (LC-32/37P55)	S --	--

**SERVICE JIGS  
(USE FOR SERVICING)**

REF No.	PARTS	DESCRIPTION	* SN CODE	EX CODE
<b>EXTENSION CABLES</b>				
	QCNW-E542WJZZ	23pins Board to Board	J	
	QCNW-E543WJZZ	9pins Board to Board	J	
	QCNW-E544WJZZ	15pins Board to Board	J	
	QCNW-E546WJZZ	7pins Board to Board	J	
<b>SOFTWARE UPGRADING JIG</b>				
1	CKIT-0004WJV0	P55 VCTP SOFT UPDATING WITH WIRE 20 TO 3	S BC	BT
1.1	QPWBX0004WJZZ	P55 I2C INTERFACE PWB	S --	--
1.2	QCNWGA100WJZZ	WIRE 20 TO 3 PIN SOFT UPDATING P55	S AM	AY
2	QCNWGA015WJPZ	Cable adaptor (DB9 male to mini-Din 9 pin male)	S AG	AS

**PACKING PARTS LISTING**

REF No.	PARTS	DESCRIPTION	* SN CODE	EX CODE
<b>LC-26P55E/K/F//R</b>				
S1	SPAKCC360WJZZ	Packing Case	S AL	AX
S2	SPAKFA915WJZZ	Packing Material	S --	--
S3	SPAKPA396WJZZ	Wrapping Paper	S AD	AK
S4	SPAKPA599WJZZ	Wrapping Paper	S --	--
S5	SPAKPA600WJZZ	Wrapping Paper	S --	--
S6	SPAKXA918WJZZ	Packing Add.	S --	--
S7	SPAKXA925WJZZ	Packing Add.	S --	--
S8	SSAKHA021WJZZ	Polyethylene Bag	S --	--
S9	TLABKA002WJZZ	Case No. Label	S AA	AA
S10	TLABN0134BMZZ	SEES No. Label, x2	S AA	AA
S12	TLABSA053WJZZ	Gost Label(LC-26P55R)	S AA	AA
<b>LC-32/37P55E/K/F//R</b>				
S1	SPAKCC361WJZZ	Packing Case(LC-32P55)	S AM	AY
S1	SPAKCC362WJZZ	Packing Case(LC-37P55)	S AP	BA
S2	SPAKFA916WJZZ	Packing Material	S --	--
S3	SPAKPA382WJZZ	Wrapping Paper(LC-32P55)	S AD	AK
S3	SPAKPA338WJZZ	Wrapping Paper(LC-37P55)	S AE	AN
S4	SPAKPA601WJZZ	Wrapping Paper	S --	--
S5	SPAKPA602WJZZ	Wrapping Paper	S --	--
S6	SPAKXA919WJZZ	Packing Add.(LC-32P55)	S AK	AW
S6	SPAKXA920WJZZ	Packing Add.(LC-37P55)	S AM	AX
S7	SPAKXA937WJZZ	Packing Add.	S --	--
S8	SSAKHA020WJZZ	Polyethylene Bag	S --	--
S9	TLABKA002WJZZ	Case No. Label	S AA	AA
S10	TLABN0134BMZZ	SEES No. Label, x2	S AA	AA
S11	TLABSA050WJZZ	Green Dot Label (LC-32/37P55F)	S AA	AA
S12	TLABSA053WJZZ	Gost Label(LC-32/37P55R)	S AA	AA