

PARTS LISTING

REPLACEMENT PARTS

Replacement parts which have special safety characteristics are identified in this manual. Electrical components having such features are identified by Δ in the Replacement Parts Listing.

The use of a substitute replacement part which does not have the same safety characteristics as the factory recommended is not permitted.

Replacement parts not shown in this service manual may create shock fire, or other hazards.

HOW TO ORDER REPLACEMENT PARTS

To have your order completed promptly and correctly please supply the following information.

- | | |
|-----------------|----------------|
| 1. MODEL NUMBER | 2. REF. NO. |
| 3. PART NO. | 4. DESCRIPTION |
| 5. CODE | 6. QUANTITY |

MARK *: SPARE PARTS DELIVERY SECTION

REF No.	PARTS	DESCRIPTION	*	SN CODE	EX CODE
LCD PANEL					
NOTE : THE PARTS HERE SHOWN ARE SUPPLIED AS AN ASSEMBLY BUT NOT INDEPENDENTLY					
	R1LK315T3LF15	32" LCD Panel Module Unit	R		
	R1LK370T3LZ5BX	37" LCD Panel Module Unit	R	EZ	EZ
PRINTED WIRING BOARDS					
	DUNTKD890FM06	MAIN Unit (LC-32GD8E/RU, LC-32BT8E/RU)	R		
	DUNTKD890FM07	MAIN Unit (LC-37GD8E/RU, LC-37BT8E/RU)	R		
	DUNTKD604FM10	AV Unit	R		
	DUNTKD605FM14	POWER Unit (LC-32GD8E/RU, LC-32BT8E/RU)	R		
	DUNTKD605FM03	POWER Unit (LC-37GD8E/RU, LC-37BT8E/RU)	R		
	DUNTKD606FMV0	KEY Unit	R		
	DUNTKD607FMV0	R/C,LED Unit	R		
	CKITKD609FM01	DIGITAL TUNER Unit	S	AY	BN
	DUNTKD628FM01	DIGITAL Unit	R		
DUNTKD890FM06 (LC-32GD8E/RU,LC-32BT8E/RU)					
DUNTKD890FM07 (LC-37GD8E/RU,LC-37BT8E/RU)					
MAIN Unit					
INTEGRATED CIRCUITS					
IC1701	VHIBU4239G+-1Y	BU4239G-TR	D	AE	AE
IC1702	VHIPQ20WZ11-1Y	PQ20WZ1UJ00H	D	AF	AF
IC1703	VHIPQ20WZ11-1Y	PQ20WZ1UJ00H	D	AF	AF
IC1704	VSSSM6J51TU-1Y	SSM6J51TU(TE85L,F)	D	AF	AF
IC1705	VSSSM6J51TU-1Y	SSM6J51TU(TE85L,F)	D	AF	AF
IC1706	VHIMP1410ES-1Y	MP1410ES-LF-Z	D	AP	AP
IC1707	VHIPQ20WZ11-1Y	PQ20WZ1UJ00H	D	AF	AF
IC1708	VHIMP1410ES-1Y	MP1410ES-LF-Z	D	AP	AP
IC1709	VSSSM6J51TU-1Y	SSM6J51TU(TE85L,F)	D	AF	AF
IC1710	RH-IXB823WJZZQ	EPM240T100C5N	D	AR	AR
IC1711	VHIPQ1R50//1Y	PQ1R50J0000H	D	AF	AF
IC1901	VHI24LC2BIN-1Y	24LC02BT-I/5N	D	AF	AF
IC1905	VHISI9021+-1Q	SI9021CTU	D	BC	BC
IC2301	VHISL83220-1Y	ISL83220ECVZ-T	D	AQ	AQ
IC2303	VHIBR24C21F-1Y	BR24C21F-E2	D	AG	AG
IC2701	VHITVHC153T-1Y	TC74VHC153FT(EL,M)	D	AE	AE
IC2702	VHIMM1507XN-1Y	MM1507XNRE	D	AD	AD
IC2704	VHICD4052BP-1Y	CD4052BPWR	D	AD	AD
IC2705	VHIMM1507XN-1Y	MM1507XNRE	D	AD	AD
IC3001	VHIBR24L64F-1Y	BR24L64F-WE2	D	AK	AK
IC3002	RH-IXB624WJN1Q	VCT6973	D		
IC3003	RH-IXB664WJZZY	PIC16F913-I/SS-G-GW902T	D	AY	AY
IC3005	VHIBU4215G+-1Y	BU4215G-TR	D	AE	AE
TRANSISTORS					
Q1703	VS2SC3928AR-1Y	2SC3928AR	D	AB	AB
Q1704	VS2SC3928AR-1Y	2SC3928AR	D	AB	AB
Q1705	VS2SA1530AR-1Y	2SA1530AR	D	AB	AB

REF No.	PARTS	DESCRIPTION	*	SN CODE	EX CODE
Q1901	VS2SK536//1-Y	2SK536	D	AE	AE
Q1903	VS2SK536//1-Y	2SK536	D	AE	AE
Q1905	VS2TC144EE/-1Y	DTC144EE	D	AA	AA
Q1907	VS2TC144EE/-1Y	DTC144EE	D	AA	AA
Q1909	VS2TC144EE/-1Y	DTC144EE	D	AA	AA
Q2702	VS3LN01S//1-Y	3LN01S	D	AC	AC
Q2703	VS2SC3928AR-1Y	2SC3928AR	D	AB	AB
Q2704	VS2SC3928AR-1Y	2SC3928AR	D	AB	AB
Q2705	VS2SC3928AR-1Y	2SC3928AR	D	AB	AB
Q2706	VS2SC3928AR-1Y	2SC3928AR	D	AB	AB
Q2707	VS2TC144EE/-1Y	DTC144EE	D	AA	AA
Q2708	VS2TC144EE/-1Y	DTC144EE	D	AA	AA
Q2709	VS3LN01S//1-Y	3LN01S	D	AC	AC
Q2710	VS3LN01S//1-Y	3LN01S	D	AC	AC
Q3003	VS3LN01S//1-Y	3LN01S	D	AC	AC
Q3004	VS3LN01S//1-Y	3LN01S	D	AC	AC
DIODES					
D1702	RH-EX0487CEZZY	HZM2.0NBTL-E	D	AC	AC
D1703	VHDHSU119//1-Y	HSU119TRF-E	D	AB	AB
D1704	VHDSFPA73//2EY	SFPA-73VL	D	AD	AD
D1705	VHDHSU119//1-Y	HSU119TRF-E	D	AB	AB
D1706	VHDHSU119//1-Y	HSU119TRF-E	D	AB	AB
D1707	RH-EX0487CEZZY	HZM2.0NBTL-E	D	AC	AC
D1708	VHDSFPA73//2EY	SFPA-73VL	D	AD	AD
D1901	VHDDAN202K/-1Y	DAN202KT146	D	AB	AB
D1903	VHD1SS355//1-Y	1SS355E-17	D	AB	AB
D1905	VHD1SS355//1-Y	1SS355E-17	D	AB	AB
D2301	RH-EX1271CEZZY	Zener Diode, 12V	D	AB	AB
D2302	RH-EX1271CEZZY	Zener Diode, 12V	D	AB	AB
D2303	RH-EX1271CEZZY	Zener Diode, 12V	D	AB	AB
D2304	RH-EX1271CEZZY	Zener Diode, 12V	D	AB	AB
D2305	RH-EX1247CEZZY	Zener Diode, 5.6V	D	AB	AB
D2306	RH-EX1247CEZZY	Zener Diode, 5.6V	D	AB	AB
D2307	RH-EX1247CEZZY	Zener Diode, 5.6V	D	AB	AB
D2308	RH-EX1247CEZZY	Zener Diode, 5.6V	D	AB	AB
D2309	VHDDAN202K/-1Y	DAN202KT146	D	AB	AB
D2310	VHD1SS226//1-Y	1SS226(T5L,F,T)	D	AC	AC
D2311	VHD1SS226//1-Y	1SS226(T5L,F,T)	D	AC	AC
D2312	VHD1SS226//1-Y	1SS226(T5L,F,T)	D	AC	AC
D2313	RH-EX1247CEZZY	ZENER DIODE, 5.6V	D	AB	AB
PACKAGED CIRCUITS					
TH3002	VHMM1103J03-1Y	Thermistor	D	AC	AC
X1901	RCRSCA108WJZZY	Crystal	D	AF	AF
X3001	RCRSC0012CEZZY	Crystal	D	AH	AH
COILS AND FILTERS					
FL2301	RFILN0003TAZZY	Filter	D	AD	AD
FL2302	RFILN0003TAZZY	Filter	D	AD	AD
FL2303	RFILN0003TAZZY	Filter	D	AD	AD
L1701	RCILPA213WJZZY	Coil	D	AG	AG
L1702	RCILPA213WJZZY	Coil	D	AG	AG
L1901	RCILFA134WJZZY	Coil	D	AF	AF
L1902	RCILFA134WJZZY	Coil	D	AF	AF
L1903	RCILFA134WJZZY	Coil	D	AF	AF
L1904	RCILFA134WJZZY	Coil	D	AF	AF
L2301	RCILFA071WJZZY	Coil	D	AD	AD
L2302	RCILFA071WJZZY	Coil	D	AD	AD
L2303	RCILFA071WJZZY	Coil	D	AD	AD
L2304	RCILFA071WJZZY	Coil	D	AD	AD
L2305	RCILFA071WJZZY	Coil	D	AD	AD
L2701	VPCUN1R3MR12NY	Peaking 1.5µH	D		
CAPACITORS					
C1702	VCKYCY1EF104ZY	0.1 25V Ceramic	D	AA	AA
C1706	RC-KZA070WJZZY	22 6.3V Ceramic	D	AD	AD
C1711	VCKYCY1HB103KY	0.01 50V Ceramic	D	AA	AA
C1715	VCEASX1VN226MY	22 35V Electrolytic	D	AC	AC

REF No.	PARTS	DESCRIPTION	* SN CODE	EX CODE
DUNTKD890FM06/07 (LC-32GD8, LC-32BT8 / (LC-37GD8, LC-37BT8)				
MAIN Unit (Continued)				
C1716	VCEASX1CN226MY	22 16V Electrolytic	D AC	AC
C1717	VCKYCY1HB272KY	2700p 50V Ceramic	D AA	AA
C1718	VCKYCY1EF104ZY	0.1 25V Ceramic	D AA	AA
C1720	VCEASX1CN226MY	22 16V Electrolytic	D AC	AC
C1721	VCAAPD1AJ686MY	68 10V Electrolytic	D AE	AE
C1723	RC-KZA073WJZZY	10 16V Ceramic	D AD	AD
C1724	RC-KZA073WJZZY	10 16V Ceramic	D AD	AD
C1726	RC-KZA070WJZZY	22 6.3V Ceramic	D AD	AD
C1730	VCKYCY1HB272KY	2700p 50V Ceramic	D AA	AA
C1733	VCEASX1CN226MY	22 16V Electrolytic	D AC	AC
C1734	VCKYCY1EF104ZY	0.1 25V Ceramic	D AA	AA
C1735	VCAAPD1AJ686MY	68 10V Electrolytic	D AE	AE
C1737	RC-KZA073WJZZY	10 16V Ceramic	D AD	AD
C1738	RC-KZA073WJZZY	10 16V Ceramic	D AD	AD
C1739	VCKYCY1EF104ZY	0.1 25V Ceramic	D AA	AA
C1740	VCCCCY1HH101JY	100p 50V Ceramic	D AA	AA
C1741	VCKYCY1HB102KY	1000p 50V Ceramic	D AA	AA
C1742	VCKYCY1EF104ZY	0.1 25V Ceramic	D AA	AA
C1744	VCCCCY1HH101JY	100p 50V Ceramic	D AA	AA
C1745	VCCCCY1HH101JY	100p 50V Ceramic	D AA	AA
C1746	VCCCCY1HH101JY	1000p 50V Ceramic	D AB	AB
C1747	VCCCCY1HH101JY	1SS390TE61	D AA	AA
		(LC-37GD8E/RU, LC-37BT8E/RU)		
C1748	VCCCCY1HH101JY	1SS390TE61	D AA	AA
		(LC-37GD8E/RU, LC-37BT8E/RU)		
C1749	VCKYCY1HB221KY	1SS390TE61	D AA	AA
		(LC-37GD8E/RU, LC-37BT8E/RU)		
C1750	VCCCCY1HH101JY	1SS390TE61	D AA	AA
		(LC-37GD8E/RU, LC-37BT8E/RU)		
C1751	VCCCCY1HH101JY	1SS390TE61	D AA	AA
		(LC-37GD8E/RU, LC-37BT8E/RU)		
C1752	VCCCCY1HH101JY	1SS390TE61	D AA	AA
		(LC-37GD8E/RU, LC-37BT8E/RU)		
C1753	VCKYCY1EF104ZY	0.1 25V Ceramic	D AA	AA
C1754	VCKYCY1EF104ZY	0.1 25V Ceramic	D AA	AA
C1755	VCEASX1CN106MY	10 16V Electrolytic	D AC	AC
C1756	VCEASX1CN106MY	10 16V Electrolytic	D AC	AC
C1757	VCKYCY1EF104ZY	0.1 25V Ceramic	D AA	AA
C1758	VCKYCY1EF104ZY	0.1 25V Ceramic	D AA	AA
C1901	VCEASY1CN476MY	47 16V Electrolytic	D AC	AC
C1903	VCKYCY1EF104ZY	0.1 25V Ceramic	D AA	AA
C1906	VCKYCY1EF104ZY	0.1 25V Ceramic	D AA	AA
C1910	RC-KZA073WJZZY	10 16V Ceramic	D AD	AD
C1912	VCKYCY1HB102KY	1000p 50V Ceramic	D AA	AA
C1913	VCKYCY1HB102KY	1000p 50V Ceramic	D AA	AA
C1916	VCKYCY1HB102KY	1000p 50V Ceramic	D AA	AA
C1917	VCKYCY1HB102KY	1000p 50V Ceramic	D AA	AA
C1918	RC-KZA073WJZZY	10 16V Ceramic	D AD	AD
C1919	RC-KZA073WJZZY	10 16V Ceramic	D AD	AD
C1921	RC-KZA073WJZZY	10 16V Ceramic	D AD	AD
C1923	VCKYCY1HB102KY	1000p 50V Ceramic	D AA	AA
C1924	VCKYCY1HB102KY	1000p 50V Ceramic	D AA	AA
C1927	VCKYCY1HB102KY	1000p 50V Ceramic	D AA	AA
C1928	VCKYCY1HB103KY	0.01 50V Ceramic	D AA	AA
C1929	VCCCCY1HH120JY	12p 50V Ceramic	D AA	AA
C1930	VCKYCY1HB102KY	1000p 50V Ceramic	D AA	AA
C1931	RC-KZA073WJZZY	10 16V Ceramic	D AD	AD
C1934	VCCCCY1HH120JY	12p 50V Ceramic	D AA	AA
C1935	RC-KZA073WJZZY	10 16V Ceramic	D AD	AD
C1936	VCKYCY1HB102KY	1000p 50V Ceramic	D AA	AA
C1941	VCKYCY1HB102KY	1000p 50V Ceramic	D AA	AA
C1943	VCKYCY1HB102KY	1000p 50V Ceramic	D AA	AA

REF No.	PARTS	DESCRIPTION	* SN CODE	EX CODE
C1946	VCKYCY1HB102KY	1000p 50V Ceramic	D AA	AA
C1947	VCKYCY1EF104ZY	0.1 25V Ceramic	D AA	AA
C1948	VCKYCY1HB102KY	1000p 50V Ceramic	D AA	AA
C1953	VCKYCY1EF104ZY	0.1 25V Ceramic	D AA	AA
C1955	VCKYCY1HB102KY	1000p 50V Ceramic	D AA	AA
C1956	VCKYCY1HB102KY	1000p 50V Ceramic	D AA	AA
C1959	VCKYCY1EF104ZY	0.1 25V Ceramic	D AA	AA
C1960	VCKYCY1HB102KY	1000p 50V Ceramic	D AA	AA
C1965	VCKYCY1HB102KY	1000p 50V Ceramic	D AA	AA
C1967	VCKYCY1HB102KY	1000p 50V Ceramic	D AA	AA
C1968	VCKYCY1HB102KY	1000p 50V Ceramic	D AA	AA
C1969	VCKYCY1HB102KY	1000p 50V Ceramic	D AA	AA
C1971	VCKYCY1HB102KY	1000p 50V Ceramic	D AA	AA
C1973	VCKYCY1HB102KY	1000p 50V Ceramic	D AA	AA
C1974	VCKYCY1HB102KY	1000p 50V Ceramic	D AA	AA
C1975	VCKYCY1HB102KY	1000p 50V Ceramic	D AA	AA
C2301	VCKYCY1EF104ZY	0.1 25V Ceramic	D AA	AA
C2302	VCKYCY1EF104ZY	0.1 25V Ceramic	D AA	AA
C2303	VCKYCY1EF104ZY	0.1 25V Ceramic	D AA	AA
C2304	VCKYCY1EF104ZY	0.1 25V Ceramic	D AA	AA
C2305	VCKYCY1EF104ZY	0.1 25V Ceramic	D AA	AA
C2306	VCEASX1CN106MY	10 16V Electrolytic	D AC	AC
C2307	VCKYCY1EF104ZY	0.1 25V Ceramic	D AA	AA
C2308	VCKYCY1HB104KY	0.1 50V Ceramic	D AA	AA
C2309	VCKYCY1HB104KY	0.1 50V Ceramic	D AA	AA
C2310	VCKYCY1HB104KY	0.1 50V Ceramic	D AA	AA
C2312	VCKYCY1EF104ZY	0.1 25V Ceramic	D AA	AA
C2318	VCCCCY1HH101JY	100p 50V Ceramic	D AA	AA
C2701	VCKYCY1EF104ZY	0.1 25V Ceramic	D AA	AA
C2702	VCCCCY1HH101JY	100p 50V Ceramic	D AA	AA
C2703	VCCCCY1HH101JY	100p 50V Ceramic	D AA	AA
C2704	VCCCCY1HH101JY	100p 50V Ceramic	D AA	AA
C2705	VCCCCY1HH101JY	100p 50V Ceramic	D AA	AA
C2706	VCEASX1HN105MY	1 50V Electrolytic	D AB	AB
C2707	VCEASX1HN105MY	1 50V Electrolytic	D AB	AB
C2708	VCEASX1HN105MY	1 50V Electrolytic	D AB	AB
C2709	VCEASX1HN105MY	1 50V Electrolytic	D AB	AB
C2710	VCKYTV1EB104KY	0.1 25V Ceramic	D AB	AB
C2711	VCKYCY1CF105ZY	1 16V Ceramic	D AA	AA
C2712	VCKYCY1EF104ZY	0.1 25V Ceramic	D AA	AA
C2714	VCEASX1CN106MY	10 16V Electrolytic	D AC	AC
C2715	VCKYCY1EF104ZY	0.1 25V Ceramic	D AA	AA
C2718	VCKYCY1CF105ZY	1 16V Ceramic	D AA	AA
C2719	VCKYCY1CF105ZY	1 16V Ceramic	D AA	AA
C2722	VCKYCY1EF104ZY	0.1 25V Ceramic	D AA	AA
C2723	VCKYCY1EF104ZY	0.1 25V Ceramic	D AA	AA
C2724	VCKYCY1EF104ZY	0.1 25V Ceramic	D AA	AA
C2725	VCKYCY1HB221KY	220p 50V Ceramic	D AA	AA
C2726	VCKYTV1EB104KY	0.1 25V Ceramic	D AB	AB
C2727	VCKYCY1EF104ZY	0.1 25V Ceramic	D AA	AA
C2728	VCKYCY1CF105ZY	1 16V Ceramic	D AA	AA
C2729	VCKYCY1HB104KY	0.1 50V Ceramic	D AA	AA
C2730	RC-KZA073WJZZY	10 16V Ceramic	D AD	AD
C2731	VCKYTV1HB103KY	0.01 50V Ceramic	D AA	AA
C2732	VCKYTV1HB103KY	0.01 50V Ceramic	D AA	AA
C3001	VCKYCY1EF104ZY	0.1 25V Ceramic	D AA	AA
C3002	RC-KZA073WJZZY	10 16V Ceramic	D AD	AD
C3003	VCKYCY1EF104ZY	0.1 25V Ceramic	D AA	AA
C3004	RC-KZA073WJZZY	10 16V Ceramic	D AD	AD
C3005	RC-KZA073WJZZY	10 16V Ceramic	D AD	AD
C3006	RC-KZA073WJZZY	10 16V Ceramic	D AD	AD
C3007	VCKYCY1EF104ZY	0.1 25V Ceramic	D AA	AA
C3008	VCKYCY1EF104ZY	0.1 25V Ceramic	D AA	AA
C3009	VCKYCY1EF104ZY	0.1 25V Ceramic	D AA	AA

REF No.	PARTS	DESCRIPTION	* SN CODE	EX CODE
C3010	RC-KZA073WJZZY	10 16V Ceramic	D AD	AD
C3011	VCKYCY1EF104ZY	0.1 25V Ceramic	D AA	AA
C3012	VCKYCY1EF104ZY	0.1 25V Ceramic	D AA	AA
C3013	VCKYCY1EF104ZY	0.1 25V Ceramic	D AA	AA
C3014	VCKYCY1HB104KY	0.1 50V Ceramic	D AA	AA
C3015	VCKYCY1EF104ZY	0.1 25V Ceramic	D AA	AA
C3016	VCKYCY1HB104KY	0.1 50V Ceramic	D AA	AA
C3017	RC-KZA073WJZZY	10 16V Ceramic	D AD	AD
C3018	VCKYCY1EF104ZY	0.1 25V Ceramic	D AA	AA
C3019	VCKYCY1EF104ZY	0.1 25V Ceramic	D AA	AA
C3020	VCKYCY1HB104KY	0.1 50V Ceramic	D AA	AA
C3021	VCCCCY1HH560JY	56p 50V Ceramic	D AB	AB
C3022	RC-KZA073WJZZY	10 16V Ceramic	D AD	AD
C3023	VCKYCY1EF104ZY	0.1 25V Ceramic	D AA	AA
C3024	VCKYCY1EF104ZY	0.1 25V Ceramic	D AA	AA
C3025	VCKYCY1EF104ZY	0.1 25V Ceramic	D AA	AA
C3027	RC-KZA073WJZZY	10 16V Ceramic	D AD	AD
C3028	VCKYCY1EF104ZY	0.1 25V Ceramic	D AA	AA
C3029	RC-KZA073WJZZY	10 16V Ceramic	D AD	AD
C3030	VCKYCY1EF104ZY	0.1 25V Ceramic	D AA	AA
C3031	RC-KZA073WJZZY	10 16V Ceramic	D AD	AD
C3032	VCKYCY1EF104ZY	0.1 25V Ceramic	D AA	AA
C3033	VCKYCY1EF104ZY	0.1 25V Ceramic	D AA	AA
C3034	VCCCCY1HH150JY	15p 50V Ceramic	D AA	AA
C3035	RC-KZA073WJZZY	10 16V Ceramic	D AD	AD
C3036	RC-KZA073WJZZY	10 16V Ceramic	D AD	AD
C3037	VCKYCY1EF104ZY	0.1 25V Ceramic	D AA	AA
C3038	VCKYCY1EF104ZY	0.1 25V Ceramic	D AA	AA
C3039	VCCCCY1HH180JY	18p 50V Ceramic	D AA	AA
C3040	RC-KZA073WJZZY	10 16V Ceramic	D AD	AD
C3041	RC-KZA073WJZZY	10 16V Ceramic	D AD	AD
C3042	VCKYCY1EF104ZY	0.1 25V Ceramic	D AA	AA
C3044	VCKYCY1HB103KY	0.01 50V Ceramic	D AA	AA
C3045	VCKYCY1HB103KY	0.01 50V Ceramic	D AA	AA
C3046	RC-KZA073WJZZY	10 16V Ceramic	D AD	AD
C3048	VCEASX0JN476MY	47 6.3V Electrolytic	D AC	AC
C3049	VCKYCY1HB102KY	1000p 50V Ceramic	D AA	AA
C3338	VCEASX0JN476MY	47 6.3V Electrolytic	D AC	AC
C3340	VCEASX0JN476MY	47 6.3V Electrolytic	D AC	AC
RESISTORS				
R1704	VRS-CY1JF000JY	0 1/16W Metal Oxide	D AA	AA
R1705	VRS-CY1JF000JY	0 1/16W Metal Oxide	D AA	AA
R1707	VRS-CY1JF000JY	0 1/16W Metal Oxide	D AA	AA
R1709	VRS-CY1JF103JY	10k 1/16W Metal Oxide	D AA	AA
R1711	VRS-CY1JF103JY	10k 1/16W Metal Oxide	D AA	AA
R1712	VRS-CY1JF103JY	10k 1/16W Metal Oxide	D AA	AA
R1713	VRS-CY1JF562JY	5.6k 1/16W Metal Oxide	D AA	AA
R1714	VRS-CY1JF000JY	0 1/16W Metal Oxide	D AA	AA
R1715	VRS-CY1JF470JY	1SS390TE61 (LC-37GD8E/RU, LC-37BT8E/RU)	D AA	AA
R1716	VRS-CY1JF562JY	5.6k 1/16W Metal Oxide	D AA	AA
R1717	VRS-CY1JF000JY	0 1/16W Metal Oxide (LC-32GD8E/RU, LC-32BT8E/RU)	D AA	AA
R1717	VRS-CY1JF470JY	1SS390TE61 (LC-37GD8E/RU, LC-37BT8E/RU)	D AA	AA
R1718	VRS-CY1JF470JY	1SS390TE61 (LC-37GD8E/RU, LC-37BT8E/RU)	D AA	AA
R1719	VRS-CY1JF622FY	6.2k 1/16W Metal Oxide	D AA	AA
R1720	VRS-CY1JF103JY	10k 1/16W Metal Oxide	D AA	AA
R1721	VRS-CY1JF562FY	5.6k 1/16W Metal Oxide	D AA	AA
R1722	VRS-CY1JF103JY	10k 1/16W Metal Oxide	D AA	AA
R1723	VRS-CY1JF622FY	6.2k 1/16W Metal Oxide	D AA	AA
R1724	VRS-CY1JF101JY	100 1/16W Metal Oxide	D AA	AA
R1726	VRS-CY1JF511FY	510 1/16W Metal Oxide	D AA	AA
R1727	VRS-CY1JF332JY	3.3k 1/16W Metal Oxide	D AA	AA

REF No.	PARTS	DESCRIPTION	* SN CODE	EX CODE
R1728	VRS-CY1JF332JY	3.3k 1/16W Metal Oxide	D AA	AA
R1729	VRS-CY1JF202FY	2.0k 1/16W Metal Oxide	D AA	AA
R1730	VRS-CY1JF470JY	1SS390TE61 (LC-37GD8E/RU, LC-37BT8E/RU)	D AA	AA
R1731	VRS-CY1JF102JY	1SS390TE61 (LC-37GD8E/RU, LC-37BT8E/RU)	D AA	AA
R1732	VRS-CY1JF202FY	2.0k 1/16W Metal Oxide	D AA	AA
R1733	VRS-CY1JF101JY	100 1/16W Metal Oxide	D AA	AA
R1734	VRS-CY1JF222FY	2.2k 1/16W Metal Oxide	D AA	AA
R1735	VRS-CY1JF202FY	2.0k 1/16W Metal Oxide	D AA	AA
R1736	VRS-CY1JF102JY	1SS390TE61 (LC-37GD8E/RU, LC-37BT8E/RU)	D AA	AA
R1737	VRS-CY1JF562JY	5.6k 1/16W Metal Oxide	D AA	AA
R1739	VRS-TW2HF1R0JY	1 1/2W Metal Oxide	D AA	AA
R1740	VRS-TW2HF1R0JY	1 1/2W Metal Oxide	D AA	AA
R1741	VRS-TW2HF1R0JY	1 1/2W Metal Oxide	D AA	AA
R1742	VRS-TW2HF1R0JY	1 1/2W Metal Oxide	D AA	AA
R1743	VRS-CY1JF101JY	100 1/16W Metal Oxide	D AA	AA
R1744	VRS-CY1JF562FY	5.6k 1/16W Metal Oxide	D AA	AA
R1745	VRS-CY1JF132JY	1.3k 1/16W Metal Oxide	D AG	AG
R1746	VRS-CY1JF202JY	2.0k 1/16W Metal Oxide	D AA	AA
R1747	VRS-CY1JF511FY	510 1/16W Metal Oxide	D AA	AA
R1748	VRS-CY1JF202FY	2.0k 1/16W Metal Oxide	D AA	AA
R1752	VRS-CY1JF470JY	47 1/16W Metal Oxide	D AA	AA
R1753	VRS-CY1JF622FY	6.2k 1/16W Metal Oxide	D AA	AA
R1754	VRS-CY1JF622FY	6.2k 1/16W Metal Oxide	D AA	AA
R1755	VRS-CY1JF562JY	5.6k 1/16W Metal Oxide	D AA	AA
R1756	VRS-CY1JF104JY	100k 1/16W Metal Oxide	D AA	AA
R1757	VRS-TW2HF1R0JY	1 1/2W Metal Oxide	D AA	AA
R1758	VRS-TW2HF1R0JY	1 1/2W Metal Oxide	D AA	AA
R1759	VRS-TW2HF1R0JY	1 1/2W Metal Oxide	D AA	AA
R1760	VRS-TW2HF1R0JY	1 1/2W Metal Oxide	D AA	AA
R1761	VRS-CY1JF101JY	100 1/16W Metal Oxide	D AA	AA
R1762	VRS-CY1JF220JY	22 1/16W Metal Oxide	D AA	AA
R1763	VRS-CY1JF220JY	22 1/16W Metal Oxide	D AA	AA
R1764	VRS-CY1JF220JY	22 1/16W Metal Oxide	D AA	AA
R1767	VRS-CY1JF103JY	10k 1/16W Metal Oxide	D AA	AA
R1768	VRS-CY1JF103JY	10k 1/16W Metal Oxide	D AA	AA
R1769	VRS-CY1JF103JY	10k 1/16W Metal Oxide	D AA	AA
R1770	VRS-CY1JF103JY	10k 1/16W Metal Oxide	D AA	AA
R1771	VRS-CY1JF101JY	100 1/16W Metal Oxide	D AA	AA
R1772	VRS-CY1JF103JY	10k 1/16W Metal Oxide	D AA	AA
R1773	VRS-CY1JF000JY	0 1/16W Metal Oxide (LC-32GD8E/RU, LC-32BT8E/RU)	D AA	AA
R1774	VRS-CY1JF470JY	47 1/16W Metal Oxide (LC-32GD8E/RU, LC-32BT8E/RU)	D AA	AA
R1775	VRS-CY1JF103JY	10k 1/16W Metal Oxide (LC-32GD8E/RU, LC-32BT8E/RU)	D AA	AA
R1901	VRS-CY1JF272JY	2.7k 1/16W Metal Oxide	D AA	AA
R1903	VRS-CY1JF152JY	1.5k 1/16W Metal Oxide	D AA	AA
R1906	VRS-CY1JF473JY	47k 1/16W Metal Oxide	D AA	AA
R1908	VRS-CY1JF103JY	10k 1/16W Metal Oxide	D AA	AA
R1911	VRS-CJ1JF474JY	470k 1/16W Metal Oxide	D AA	AA
R1913	VRS-CJ1JF473JY	47k 1/16W Metal Oxide	D AB	AB
R1914	VRS-CJ1JF100JY	10 1/16W Metal Oxide	D AA	AA
R1917	VRS-CY1JF103JY	10k 1/16W Metal Oxide	D AA	AA
R1919	VRS-CY1JF100JY	10 1/16W Metal Oxide	D AA	AA
R1920	VRS-CH1JF100JY	10 1/16W Metal Oxide	D AA	AA
R1921	VRS-CH1JF100JY	10 1/16W Metal Oxide	D AA	AA
R1922	VRS-CH1JF100JY	10 1/16W Metal Oxide	D AA	AA
R1923	VRS-CH1JF100JY	10 1/16W Metal Oxide	D AA	AA
R1924	VRS-CH1JF100JY	10 1/16W Metal Oxide	D AA	AA
R1925	VRS-CH1JF100JY	10 1/16W Metal Oxide	D AA	AA
R1926	VRS-CY1JF472JY	4.7k 1/16W Metal Oxide	D AA	AA
R1927	VRS-CH1JF100JY	10 1/16W Metal Oxide	D AA	AA
R1928	VRS-CY1JF223JY	22k 1/16W Metal Oxide	D AA	AA
R1929	VRS-CY1JF472JY	4.7k 1/16W Metal Oxide	D AA	AA
R1930	VRS-CY1JF910FY	91 1/16W Metal Oxide	D AA	AA

REF No.	PARTS	DESCRIPTION	* SN CODE	EX CODE
DUNTKD890FM06/07 (LC-32GD8, LC-32BT8 / (LC-37GD8, LC-37BT8)				
MAIN Unit (Continued)				
R1931	VRS-CY1JF910FY	91 1/16W Metal Oxide	D AA	AA
R1932	VRS-CY1JF105JY	1M 1/16W Metal Oxide	D AA	AA
R1933	VRS-CY1JF152JY	1.5k 1/16W Metal Oxide	D AA	AA
R1934	VRS-CJ1JF101JY	100 1/16W Metal Oxide	D AA	AA
R1935	VRS-CY1JF330JY	33 1/16W Metal Oxide	D AA	AA
R1936	VRS-CY1JF330JY	33 1/16W Metal Oxide	D AA	AA
R1937	VRS-CY1JF103JY	10k 1/16W Metal Oxide	D AA	AA
R2301	VRS-CY1JF000JY	0 1/16W Metal Oxide	D AA	AA
R2302	VRS-CH1JF103JY	10k 1/16W Metal Oxide	D AA	AA
R2303	VRS-CY1JF000JY	0 1/16W Metal Oxide	D AA	AA
		(LC-32GD8E/RU, LC-32BT8E/RU)		
R2305	VRS-CH1JF103JY	10k 1/16W Metal Oxide	D AA	AA
R2307	VRS-CJ1JF101JY	100 1/16W Metal Oxide	D AA	AA
R2309	VRS-CY1JF472JY	4.7k 1/16W Metal Oxide	D AA	AA
R2313	VRS-CY1JF100JY	10 1/16W Metal Oxide	D AA	AA
R2314	VRS-CY1JF103JY	10k 1/16W Metal Oxide	D AA	AA
R2315	VRS-CJ1JF101JY	100 1/16W Metal Oxide	D AA	AA
R2321	VRS-CY1JF000JY	0 1/16W Metal Oxide	D AA	AA
R2322	VRS-TW2ED750JY	75 1/4W Metal Oxide	D AA	AA
R2324	VRS-TW2ED750JY	75 1/4W Metal Oxide	D AA	AA
R2325	VRS-TW2ED750JY	75 1/4W Metal Oxide	D AA	AA
R2326	VRS-CY1JF102JY	1k 1/16W Metal Oxide	D AA	AA
R2329	VRS-CY1JF103JY	10k 1/16W Metal Oxide	D AA	AA
R2332	VRS-CY1JF473JY	47k 1/16W Metal Oxide	D AA	AA
R2333	VRS-CH1JF101JY	100 1/16W Metal Oxide	D AA	AA
R2334	VRS-CY1JF103FY	10k 1/16W Metal Oxide	D AA	AA
R2335	VRS-CY1JF102JY	1k 1/16W Metal Oxide	D AA	AA
R2339	VRS-CY1JF102FY	1k 1/16W Metal Oxide	D AA	AA
R2341	VRS-CY1JF393FY	39k 1/16W Metal Oxide	D AA	AA
R2342	VRS-CY1JF103JY	10k 1/16W Metal Oxide	D AA	AA
R2343	VRS-CY1JF102FY	1k 1/16W Metal Oxide	D AA	AA
R2701	VRS-CY1JF103JY	10k 1/16W Metal Oxide	D AA	AA
R2702	VRS-CJ1JF101JY	100 1/16W Metal Oxide	D AA	AA
R2703	VRS-CJ1JF473JY	47k 1/16W Metal Oxide	D AB	AB
R2704	VRS-CJ1JF103JY	10k 1/16W Metal Oxide	D AA	AA
R2705	VRS-CY1JF103JY	10k 1/16W Metal Oxide	D AA	AA
R2706	VRS-CJ1JF224JY	220k 1/16W Metal Oxide	D AA	AA
R2707	VRS-CJ1JF224JY	220k 1/16W Metal Oxide	D AA	AA
R2708	VRS-CH1JF104JY	100k 1/16W Metal Oxide	D AA	AA
R2709	VRS-CH1JF104JY	100k 1/16W Metal Oxide	D AA	AA
R2710	VRS-CJ1JF103JY	10k 1/16W Metal Oxide	D AA	AA
R2711	VRS-CJ1JF103JY	10k 1/16W Metal Oxide	D AA	AA
R2712	VRS-CJ1JF472JY	4.7k 1/16W Metal Oxide	D AA	AA
R2713	VRS-CJ1JF472JY	4.7k 1/16W Metal Oxide	D AA	AA
R2714	VRS-CY1JF101JY	100 1/16W Metal Oxide	D AA	AA
R2715	VRS-CY1JF102JY	1k 1/16W Metal Oxide	D AA	AA
R2716	VRS-CJ1JF103JY	10k 1/16W Metal Oxide	D AA	AA
R2717	VRS-CY1JF101JY	100 1/16W Metal Oxide	D AA	AA
R2719	VRS-CY1JF102JY	1k 1/16W Metal Oxide	D AA	AA
R2720	VRS-CY1JF104JY	100k 1/16W Metal Oxide	D AA	AA
R2721	VRS-CY1JF104JY	100k 1/16W Metal Oxide	D AA	AA
R2722	VRS-CY1JF101JY	100 1/16W Metal Oxide	D AA	AA
R2723	VRS-CY1JF47JY	4.7 1/16W Metal Oxide	D AA	AA
R2724	VRS-CY1JF000JY	0 1/16W Metal Oxide	D AA	AA
R3001	VRS-CY1JF102JY	1k 1/16W Metal Oxide	D AA	AA
R3002	VRS-CY1JF220JY	22 1/16W Metal Oxide	D AA	AA
R3003	VRS-CY1JF103JY	10k 1/16W Metal Oxide	D AA	AA
R3004	VRS-CJ1JF101JY	100 1/16W Metal Oxide	D AA	AA
R3005	VRS-CJ1JF472JY	4.7k 1/16W Metal Oxide	D AA	AA
R3006	VRS-CY1JF472JY	4.7k 1/16W Metal Oxide	D AA	AA
R3007	VRS-CY1JF622JY	6.2k 1/16W Metal Oxide	D AA	AA
R3008	VRS-CJ1JF472JY	4.7k 1/16W Metal Oxide	D AA	AA
R3009	VRS-CJ1JF101JY	100 1/16W Metal Oxide	D AA	AA
R3010	VRS-CY1JF472JY	4.7k 1/16W Metal Oxide	D AA	AA
R3012	VRS-CY1JF103JY	10k 1/16W Metal Oxide	D AA	AA
R3013	VRS-CY1JF103JY	10k 1/16W Metal Oxide	D AA	AA

REF No.	PARTS	DESCRIPTION	* SN CODE	EX CODE
R3014	VRS-CY1JF472JY	4.7k 1/16W Metal Oxide	D AA	AA
R3017	VRS-CY1JF390JY	39 1/16W Metal Oxide	D AA	AA
R3018	VRS-CY1JF000JY	0 1/16W Metal Oxide	D AA	AA
R3306	VRS-CY1JF220JY	22 1/16W Metal Oxide	D AA	AA
R3307	VRS-CY1JF220JY	22 1/16W Metal Oxide	D AA	AA
R3308	VRS-CY1JF220JY	22 1/16W Metal Oxide	D AA	AA
FERRITE BEAD				
FB1701	RBLN-0250TAZZY	1SS390TE61	D AC	AC
FB1702	RBLN-0250TAZZY	1SS390TE61	D AC	AC
FB1901	RBLN-0060TAZZY	1SS390TE61	D AB	AB
FB1903	RBLN-0060TAZZY	1SS390TE61	D AB	AB
FB1904	RBLN-0060TAZZY	1SS390TE61	D AB	AB
FB1905	RBLN-0060TAZZY	1SS390TE61	D AB	AB
FB1906	RBLN-0060TAZZY	Ferrite Bead	D AB	AB
FB1907	RBLN-0210TAZZY	Ferrite Bead	D AB	AB
FB1908	RBLN-0060TAZZY	Ferrite Bead	D AB	AB
FB1909	RBLN-0210TAZZY	Ferrite Bead	D AB	AB
FB2301	RBLN-0061TAZZY	Ferrite Bead	D AD	AD
FB2302	RBLN-0061TAZZY	Ferrite Bead	D AD	AD
FB2303	VRS-TV2BDR56JY	0.56 1/8W Metal Oxide	D	
FB2304	VRS-TV2BDR56JY	0.56 1/8W Metal Oxide	D	
FB2305	RBLN-0061TAZZY	Ferrite Bead	D AD	AD
FB2306	RBLN-0061TAZZY	Ferrite Bead	D AD	AD
FB2307	RBLN-0061TAZZY	Ferrite Bead	D AD	AD
FB2308	RBLN-0061TAZZY	Ferrite Bead	D AD	AD
FB2309	RBLN-0061TAZZY	Ferrite Bead	D AD	AD
FB2310	RBLN-0210TAZZY	Ferrite Bead	D AB	AB
FB2702	RBLN-0254TAZZY	Ferrite Bead	D AB	AB
FB2703	RBLN-0254TAZZY	Ferrite Bead	D AB	AB
FB2704	RBLN-0061TAZZY	Ferrite Bead	D AD	AD
FB2705	RBLN-0061TAZZY	Ferrite Bead	D AD	AD
FB2706	RBLN-0061TAZZY	Ferrite Bead	D AD	AD
FB2707	RBLN-0061TAZZY	Ferrite Bead	D AD	AD
FB2708	RBLN-0061TAZZY	Ferrite Bead	D AD	AD
FB2709	RBLN-0061TAZZY	Ferrite Bead	D AD	AD
FB2710	RBLN-0061TAZZY	Ferrite Bead	D AD	AD
FB2711	RBLN-0061TAZZY	Ferrite Bead	D AD	AD
FB2713	RBLN-0254TAZZY	Ferrite Bead	D AB	AB
FB2714	RBLN-0254TAZZY	Ferrite Bead	D AB	AB
FB2715	RBLN-0210TAZZY	Ferrite Bead	D AB	AB
FB3001	RBLN-0254TAZZY	Ferrite Bead	D AB	AB
FB3002	RBLN-0254TAZZY	Ferrite Bead	D AB	AB
FB3003	RBLN-0254TAZZY	Ferrite Bead	D AB	AB
FB3004	RBLN-0254TAZZY	Ferrite Bead	D AB	AB
FB3005	RBLN-0254TAZZY	Ferrite Bead	D AB	AB
FB3006	RBLN-0254TAZZY	Ferrite Bead	D AB	AB
FB3007	RBLN-0254TAZZY	Ferrite Bead	D AB	AB
FB3008	RBLN-0254TAZZY	Ferrite Bead	D AB	AB
FB3009	RBLN-0254TAZZY	Ferrite Bead	D AB	AB
FB3010	RBLN-0254TAZZY	Ferrite Bead	D AB	AB
FB3011	RBLN-0254TAZZY	Ferrite Bead	D AB	AB
FB3012	RBLN-0254TAZZY	Ferrite Bead	D AB	AB
FB3013	RBLN-0254TAZZY	Ferrite Bead	D AB	AB
FB3014	RBLN-0254TAZZY	Ferrite Bead	D AB	AB
FB3015	RBLN-0254TAZZY	Ferrite Bead	D AB	AB
FB3016	RBLN-0254TAZZY	Ferrite Bead	D AB	AB
FB3018	RBLN-0254TAZZY	Ferrite Bead	D AB	AB
FB3307	RBLN-0061TAZZY	Ferrite Bead	D AD	AD
FB3308	RBLN-0061TAZZY	Ferrite Bead	D AD	AD
MISCELLANEOUS PARTS				
J2701	QJAKEA073WJZZ	Audio Terminal	D AD	AD
J2702	QJAKEA073WJZZ	Audio Terminal	D AD	AD
LUG1701	QLUGHA006WJZZY	Lug	D AC	AC

REF No.	PARTS	DESCRIPTION	* SN CODE	EX CODE	REF No.	PARTS	DESCRIPTION	* SN CODE	EX CODE
LUG1702	QLUGHA006WJZZY	Lug	D AC	AC	D311	RH-EXA103WJZZY	Zener Diode	R	
LUG1703	QLUGHA006WJZZY	Lug	D AC	AC	D312	RH-EXA103WJZZY	Zener Diode	R	
LUG1704	QLUGHA006WJZZY	Lug	D AC	AC	D313	RH-EX1393CEZZY	Zener Diode	R AB	AB
P1701	QPLGNA342WJZZY	Plug, 8-pin(LB)	D AD	AD	D314	RH-EXA101WJZZY	Zener Diode	R AB	AB
		(LC-37GD8E/RU, LC-37BT8E/RU)			D315	RH-EXA101WJZZY	Zener Diode	R AB	AB
P1702	QPLGN1075TAZZY	Plug, 10-pin	D AD	AD	D316	RH-EXA101WJZZY	Zener Diode	R AB	AB
P2301	QPLGNA341WJZZY	Plug, 7-pin(SH)	D AD	AD	D317	RH-EXA101WJZZY	Zener Diode	R AB	AB
P2302	QPLGNA337WJZZY	Plug, 3-pin(KM)	D AC	AC	D1101	RH-EXA094WJZZY	Zener Diode	R AB	AB
P2303	QPLGNA344WJZZY	Plug, 10-pin(RA)	D AD	AD	D1102	RH-EXA088WJZZY	Zener Diode, 10V	R	
P2305	QPLGNA493WJZZY	Plug, 32-pin(LV)	D AM	AM	D1103	RH-EXA088WJZZY	Zener Diode, 10V	R	
P2306	QPLGN0565FJZZY	Plug, 3-pin	D AE	AE	D1104	RH-EXA094WJZZY	Zener Diode	R AB	AB
P2702	QCNCMA202WJZZY	Connector, 60-pin	D AK	AK	D1105	RH-EXA093WJZZY	Zener Diode, 13V	R AB	AB
SC1701	QCNCWA251WJZZY	Connector, 23-pin	D AH	AH	D1106	RH-EX1393CEZZY	Zener Diode	R AB	AB
SC1702	QCNCWA248WJZZY	Connector, 9-pin	D AD	AD	D1107	RH-EX1393CEZZY	Zener Diode	R AB	AB
SC1901	QSOCZA117WJZZQ	EXT5/HDMI Terminal	D AK	AK	D1108	RH-EXA093WJZZY	Zener Diode, 13V	R AB	AB
SC2301	QSOCDA036WJZZ	PC-INPUT(RS-232C) Terminal	D AF	AF	D1109	RH-EX1398CEZZY	Zener Diode	R AB	AB
SC2303	QSOCNA229WJZZ	EXT4/D-SUB-15 Terminal	D AH	AH	D1110	RH-EX1398CEZZY	Zener Diode	R AB	AB
SC2702	QCNCWA251WJZZY	Connector, 23-pin	D AH	AH	D1111	RH-EX1398CEZZY	Zener Diode	R AB	AB
SC2703	QCNCWA251WJZZY	Connector, 23-pin	D AH	AH	D1112	RH-EX1398CEZZY	Zener Diode	R AB	AB
SC2704	QCNCWA251WJZZY	Connector, 23-pin	D AH	AH	D1113	RH-EX1393CEZZY	Zener Diode	R AB	AB
SC2705	QCNCWA010WJZZY	Connector, 15-pin	D AE	AE	D1114	RH-EX1393CEZZY	Zener Diode	R AB	AB
SC2707	QCNCWA251WJZZY	Connector, 23-pin	D AH	AH	D1115	RH-EX1393CEZZY	Zener Diode	R AB	AB
DUNTKD604FM10 AV Unit					D1116	RH-EX1393CEZZY	Zener Diode	R AB	AB
INTEGRATED CIRCUITS					D1117	RH-EX1393CEZZY	Zener Diode	R AB	AB
IC704	VHIMR4030++-1	MR4030-7101	R AR	AR	D1118	RH-EXA088WJZZY	Zener Diode	R	
IC705	VHIMR4020++-1	MR4020-7101	R AQ	AQ	D1119	RH-EXA088WJZZY	Zener Diode	R	
IC706	VHITA76431R-1Y	TA76431FR(TE12L,F)	R AE	AE	D1120	RH-EXA088WJZZY	Zener Diode	R	
IC707	VHITA76431R-1Y	TA76431FR(TE12L,F)	R AE	AE	D1121	RH-EXA088WJZZY	Zener Diode	R	
IC708	VHINJM2904M-1Y	NJM2904M-TE1	R AE	AE	D1122	RH-EXA088WJZZY	Zener Diode	R	
IC709	VHINJM2903M-1Y	NJM2903M-TE1	R AE	AE	D1123	RH-EXA088WJZZY	Zener Diode	R	
TRANSISTORS					D1201	RH-EX1239CEZZY	Zener Diode	R AB	AB
Q301	VS2SC3928AR-1Y	2SC3928AR	R AB	AB	COILS AND FILTERS				
Q302	VS2SC3928AR-1Y	2SC3928AR	R AB	AB	FL1101	RFILN0017TAZZY	Filter	R AC	AC
Q303	VSDTC314TKI-1Y	DTC314TK	R AC	AC	FL1102	RFILN0017TAZZY	Filter	R AC	AC
Q304	VSDTC314TKI-1Y	DTC314TK	R AC	AC	FL1103	RFILN0017TAZZY	Filter	R AC	AC
Q305	VS2SC3928AR-1Y	2SC3928AR	R AB	AB	FL1104	RFILN0017TAZZY	Filter	R AC	AC
Q306	VS2SC3928AR-1Y	2SC3928AR	R AB	AB	FL1105	RFILN0017TAZZY	Filter	R AC	AC
Q307	VS2SA1530AR-1Y	2SA1530AR	R AB	AB	FL1106	RFILN0017TAZZY	Filter	R AC	AC
Q1101	VSDTC314TKI-1Y	DTC314TK	R AC	AC	FL1107	RFILN0017TAZZY	Filter	R AC	AC
Q1102	VSDTC314TKI-1Y	DTC314TK	R AC	AC	FL1108	RFILN0017TAZZY	Filter	R AC	AC
Q1103	VS2SA1530AR-1Y	2SA1530AR	R AB	AB	FL1109	RFILN0017TAZZY	Filter	R AC	AC
Q1104	VS2SA1530AR-1Y	2SA1530AR	R AB	AB	FL1110	RFILN0017TAZZY	Filter	R AC	AC
Q1105	VSDTC314TKI-1Y	DTC314TK	R AC	AC	FL1211	RFILN0017TAZZY	Filter	R AC	AC
Q1106	VSDTC314TKI-1Y	DTC314TK	R AC	AC	FL1212	RFILN0017TAZZY	Filter	R AC	AC
Q1107	VS2SA1530AR-1Y	2SA1530AR	R AB	AB	L301	RCILPA386WJZZ	Coil, 47uH	R	
Q1108	VS2SA1530AR-1Y	2SA1530AR	R AB	AB	L302	RCILPA386WJZZ	Coil, 47uH	R	
Q1201	VS2SA1530AR-1Y	2SA1530AR	R AB	AB	CAPACITORS				
Q1202	VS2SA1530AR-1Y	2SA1530AR	R AB	AB	C301	VCKYCY1CB273KY	Ceramic 0.027 16V	R AB	AB
Q1203	VSDTC314TKI-1Y	DTC314TK	R AC	AC	C302	VCKYCY1CB273KY	Ceramic 0.027 16V	R AB	AB
Q1204	VSDTC314TKI-1Y	DTC314TK	R AC	AC	C303	VCKYCY1HF224ZY	Ceramic 0.22 50V	R AA	AA
DIODES					C304	VCKYCY1HF224ZY	Ceramic 0.22 50V	R AA	AA
D301	RH-EXA092WJZZY	Zener Diode, 12V	R AB	AB	C305	VCKYCY1HB104KY	Ceramic 0.1 50V	R AA	AA
D302	RH-EXA092WJZZY	Zener Diode, 12V	R AB	AB	C306	VCEASX1HN225MY	Electrolytic 2.2 50V	R AB	AB
D303	RH-EXA092WJZZY	Zener Diode, 12V	R AB	AB	C307	VCEASX1HN225MY	Electrolytic 2.2 50V	R AB	AB
D304	RH-EXA092WJZZY	Zener Diode, 12V	R AB	AB	C308	VCKYCY1HB104KY	Ceramic 0.1 50V	R AA	AA
D305	RH-EXA089WJZZY	Zener Diode, 4.3V	R AB	AB	C309	VCKYCY1HB222KY	Ceramic 2200p 50V	R AA	AA
D306	VHD1SS390++-1Y	1SS390	R AB	AB	C310	VCKYCY1HB222KY	Ceramic 2200p 50V	R AA	AA
D307	VHD1SS390++-1Y	1SS390	R AB	AB	C311	VCEASX1CN226MY	Electrolytic 22 16V	R AC	AC
D308	VHD1SS390++-1Y	1SS390	R AB	AB	C312	VCKYCY1HB222KY	Ceramic 2200p 50V	R AA	AA
D309	VHD1SS390++-1Y	1SS390	R AB	AB	C313	VCKYCY1HB222KY	Ceramic 2200p 50V	R AA	AA
D310	VHD1SS390++-1Y	1SS390	R AB	AB	C314	VCKYCY1HB153KY	Ceramic 0.015 50V	R AA	AA
					C315	VCKYCY1HB153KY	Ceramic 0.015 50V	R AA	AA
					C316	VCCCY1HH330JY	Ceramic 33p 50V	R AA	AA

REF No.	PARTS	DESCRIPTION	* SN CODE	EX CODE
DUNTKD604FM10 AV Unit (Continued)				
C317	VCCCY1HH330JY	Ceramic 33p 50V	R AA	AA
C318	VCCCY1HH470JY	Ceramic 47p 50V	R AA	AA
C319	VCCCY1HH470JY	Ceramic 47p 50V	R AA	AA
C320	VCEAS1HN225MY	Electrolytic 2.2 50V	R AB	AB
C321	VCEAS1HN225MY	Electrolytic 2.2 50V	R AB	AB
C322	VCKYCY1HF224ZY	Ceramic 0.22 50V	R AA	AA
C323	VCKYCY1HF224ZY	Ceramic 0.22 50V	R AA	AA
C324	VCEAS1HN106MY	Electrolytic 10 50V	R AC	AC
C325	VCEAS1HN106MY	Electrolytic 10 50V	R AC	AC
C326	VCKYCY1HB153KY	Ceramic 0.015 50V	R AA	AA
C327	VCKYCY1HB153KY	Ceramic 0.015 50V	R AA	AA
C328	VCEAS1HN225MY	Electrolytic 2.2 50V	R AB	AB
C329	VCEAS1HN225MY	Electrolytic 2.2 50V	R AB	AB
C330	VCEA0A1VW477M+	Electrolytic 470 35V	R AB	AB
C331	VCEA0A1VW477M+	Electrolytic 470 35V	R AB	AB
C332	VCKYCY1HB221KY	Ceramic 220p 50V	R AA	AA
C333	VCKYCY1HB221KY	Ceramic 220p 50V	R AA	AA
C334	VCKYCY1HB221KY	Ceramic 220p 50V	R AA	AA
C335	VCKYCY1HB221KY	Ceramic 220p 50V	R AA	AA
C336	VCEAS1HN105MY	Electrolytic 1 50V	R AB	AB
C337	VCEAS1HN105MY	Electrolytic 1 50V	R AB	AB
C338	RC-EZA513WJZZ	470 50V	R	
C339	RC-EZA513WJZZ	470 50V	R	
C340	VCKYTV1EB224KY	Ceramic 0.22 25V	R AA	AA
C341	VCKYTV1EB224KY	Ceramic 0.22 25V	R AA	AA
C342	VCFFA1HA334J+	0.33 50V	R AB	AB
C343	VCFFA1HA334J+	0.33 50V	R AB	AB
C344	VCEAS1HN105MY	Electrolytic 1 50V	R AB	AB
C345	VCEAS1HN105MY	Electrolytic 1 50V	R AB	AB
C346	VCEAS1HN105MY	Electrolytic 1 50V	R AB	AB
C347	VCEAS1HN105MY	Electrolytic 1 50V	R AB	AB
C348	VCEAS1VN226MY	Electrolytic 22 35V	R AC	AC
C349	VCEAS1VN226MY	Electrolytic 22 35V	R AC	AC
C350	VCKYCY1HB102KY	Ceramic 1000p 50V	R AA	AA
C351	VCKYCY1HB102KY	Ceramic 1000p 50V	R AA	AA
C352	VCKYCY1HB102KY	Ceramic 1000p 50V	R AA	AA
C353	VCKYCY1HB102KY	Ceramic 1000p 50V	R AA	AA
C354	VCKYCY1HB102KY	Ceramic 1000p 50V	R AA	AA
C355	VCKYCY1HB102KY	Ceramic 1000p 50V	R AA	AA
C356	VCEAS1HN476MY	Electrolytic 47 50V	R AD	AD
C357	VCEAS1HN476MY	Electrolytic 47 50V	R AD	AD
C358	VCEAS1HN106MY	Electrolytic 10 50V	R AC	AC
C359	VCEAS1HN106MY	Electrolytic 10 50V	R AC	AC
C360	VCEAS1CN476MY	Electrolytic 47 16V	R AC	AC
C361	RC-KZA073WJZZ	Ceramic 10 16V	R AD	AD
C362	VCKYTV1EB224KY	Ceramic 0.22 25V	R AA	AA
C363	VCKYTV1EB224KY	Ceramic 0.22 25V	R AA	AA
C364	VCEAS1CN477MY	Electrolytic 470 16V	R AD	AD
C365	VCKYCY1HB222KY	Ceramic 2200p 50V	R AA	AA
C366	VCKYCY1HB222KY	Ceramic 2200p 50V	R AA	AA
C1101	VCKYTV1EB104KY	Ceramic 0.1 25V	R AB	AB
C1102	VCKYTV1EB104KY	Ceramic 0.1 25V	R AB	AB
C1103	VCKYTV1EB104KY	Ceramic 0.1 25V	R AB	AB
C1104	VCCCY1HH101JY	Ceramic 100p 50V	R AA	AA
C1105	VCKYTV1EB104KY	Ceramic 0.1 25V	R AB	AB
C1106	VCKYTV1EB104KY	Ceramic 0.1 25V	R AB	AB
C1107	VCKYTV1EB104KY	Ceramic 0.1 25V	R AB	AB
C1108	VCCCY1HH101JY	Ceramic 100p 50V	R AA	AA
C1109	RC-KZA073WJZZ	Ceramic 10 16V	R AD	AD
C1110	RC-KZA073WJZZ	Ceramic 10 16V	R AD	AD
C1114	VCKYCY1HB221KY	Ceramic 220p 50V	R AA	AA
C1116	VCKYCY1HB221KY	Ceramic 220p 50V	R AA	AA

REF No.	PARTS	DESCRIPTION	* SN CODE	EX CODE
C1119	VCKYCY1HB102KY	Ceramic 1000p 50V	R AA	AA
C1120	VCKYCY1HB102KY	Ceramic 1000p 50V	R AA	AA
C1121	VCKYTV1CB105KY	Ceramic 1 16V	R AC	AC
C1122	VCKYCY1HB331KY	Ceramic 330p 50V	R AA	AA
C1123	VCKYCY1HB331KY	Ceramic 330p 50V	R AA	AA
C1124	VCKYTV1CB105KY	Ceramic 1 16V	R AC	AC
C1125	VCKYCY1HB471KY	Ceramic 470p 50V	R AA	AA
C1126	VCKYCY1HB471KY	Ceramic 470p 50V	R AA	AA
C1130	VCEAS1CN477MY	Electrolytic 470 16V	R AD	AD
C1131	VCKYCY1HF103ZY	Ceramic 0.01 50V	R AA	AA
C1132	RC-KZA073WJZZ	Ceramic 10 16V	R AD	AD
C1133	RC-KZA073WJZZ	Ceramic 10 16V	R AD	AD
C1134	VCKYCY1HB102KY	Ceramic 1000p 50V	R AA	AA
C1135	VCKYCY1HB102KY	Ceramic 1000p 50V	R AA	AA
C1136	RC-KZA073WJZZ	Ceramic 10 16V	R AD	AD
C1137	RC-KZA073WJZZ	Ceramic 10 16V	R AD	AD
C1138	VCKYTV1CB105KY	Ceramic 1 16V	R AC	AC
C1139	VCKYCY1HB331KY	Ceramic 330p 50V	R AA	AA
C1140	VCKYCY1HB331KY	Ceramic 330p 50V	R AA	AA
C1142	VCKYTV1CB105KY	Ceramic 1 16V	R AC	AC
C1143	VCKYCY1HB471KY	Ceramic 470p 50V	R AA	AA
C1144	VCKYCY1HB471KY	Ceramic 470p 50V	R AA	AA
C1145	RC-KZA073WJZZ	Ceramic 10 16V	R AD	AD
C1146	RC-KZA073WJZZ	Ceramic 10 16V	R AD	AD
C1147	VCKYCY1EF104ZY	Ceramic 0.1 25V	R AA	AA
C1148	RC-KZA073WJZZ	Ceramic 10 16V	R AD	AD
C1157	RC-KZA073WJZZ	Ceramic 10 16V	R AD	AD
C1158	RC-KZA073WJZZ	Ceramic 10 16V	R AD	AD
C1159	VCKYCY1HF103ZY	Ceramic 0.01 50V	R AA	AA
C1160	VCKYCY1EF104ZY	Ceramic 0.1 25V	R AA	AA
C1161	RC-KZA073WJZZ	Ceramic 10 16V	R AD	AD
C1162	VCEAS1CN477MY	Electrolytic 470 16V	R AD	AD
C1201	VCKYCY1HB102KY	Ceramic 1000p 50V	R AA	AA
C1202	VCKYCY1HF103ZY	Ceramic 0.01 50V	R AA	AA
C1203	VCCCY1HH101JY	Ceramic 100p 50V	R AA	AA
C1204	VCCCY1HH100DY	Ceramic 10p 50V	R AA	AA
C1205	RC-KZA073WJZZ	Ceramic 10 16V	R AD	AD
C1206	VCCCY1HH101JY	Ceramic 100p 50V	R AA	AA
C1207	VCCCY1HH100DY	Ceramic 10p 50V	R AA	AA
C1208	RC-KZA073WJZZ	Ceramic 10 16V	R AD	AD
C1210	VCCCY1HH101JY	Ceramic 100p 50V	R AA	AA
C1211	VCKYCY1HB102KY	Ceramic 1000p 50V	R AA	AA
C1212	VCKYTV1CB105KY	Ceramic 1 16V	R AC	AC
C1216	VCCCY1HH101JY	Ceramic 100p 50V	R AA	AA
C1217	VCKYCY1HB102KY	Ceramic 1000p 50V	R AA	AA
C1218	VCKYTV1CB105KY	Ceramic 1 16V	R AC	AC
C1219	VCEAS1CN476MY	Electrolytic 47 16V	R AC	AC
C1220	RC-KZA073WJZZ	Ceramic 10 16V	R AD	AD
C1221	RC-KZA073WJZZ	Ceramic 10 16V	R AD	AD
C1222	RC-KZA073WJZZ	Ceramic 10 16V	R AD	AD
C1223	RC-KZA073WJZZ	Ceramic 10 16V	R AD	AD
C1224	VCCCY1HH101JY	Ceramic 100p 50V	R AA	AA
C1225	VCCCY1HH101JY	Ceramic 100p 50V	R AA	AA
C1252	VCKYTV1CB105KY	Ceramic 1 16V	R AC	AC
C1253	VCKYCY1EF104ZY	Ceramic 0.1 25V	R AA	AA
RESISTORS				
R301	VRS-CJ1JF102JY	Metal Oxide 1k 1/16W	R AA	AA
R302	VRS-CJ1JF472JY	Metal Oxide 4.7k 1/16W	R AA	AA
R304	VRS-CY1JF222JY	Metal Oxide 2.2k 1/16W	R AA	AA
R305	VRS-CY1JF222JY	Metal Oxide 2.2k 1/16W	R AA	AA
R306	VRS-CJ1JF472JY	Metal Oxide 4.7k 1/16W	R AA	AA
R307	VRS-CJ1JF104JY	Metal Oxide 100k 1/16W	R AA	AA
R308	VRS-CY1JF473JY	Metal Oxide 47k 1/16W	R AA	AA

REF No.	PARTS	DESCRIPTION	* SN CODE	EX CODE	REF No.	PARTS	DESCRIPTION	* SN CODE	EX CODE
R309	VRS-CY1JF473JY	Metal Oxide 47k 1/16W	R AA	AA	R1114	VRS-TW2ED750JY	Metal Oxide 75 1/4W	R AA	AA
R310	VRS-CY1JF102JY	Metal Oxide 1k 1/16W	R AA	AA	R1115	VRS-CY1JF000JY	Metal Oxide 0 1/16W	R AA	AA
R311	VRS-CY1JF102JY	Metal Oxide 1k 1/16W	R AA	AA	R1116	VRS-TW2ED750JY	Metal Oxide 75 1/4W	R AA	AA
R312	VRS-CY1JF102JY	Metal Oxide 1k 1/16W	R AA	AA	R1117	VRS-TW2ED750JY	Metal Oxide 75 1/4W	R AA	AA
R313	VRS-CY1JF102JY	Metal Oxide 1k 1/16W	R AA	AA	R1118	VRS-TW2ED750JY	Metal Oxide 75 1/4W	R AA	AA
R314	VRS-CY1JF392JY	Metal Oxide 3.9k 1/16W	R AA	AA	R1119	VRS-CY1JF101JY	Metal Oxide 100 1/16W	R AA	AA
R315	VRS-CY1JF474JY	Metal Oxide 470k 1/16W	R AA	AA	R1120	VRS-CY1JF000JY	Metal Oxide 0 1/16W	R AA	AA
R316	VRS-CY1JF392JY	Metal Oxide 3.9k 1/16W	R AA	AA	R1121	VRS-TW2ED750JY	Metal Oxide 75 1/4W	R AA	AA
R317	VRS-CY1JF474JY	Metal Oxide 470k 1/16W	R AA	AA	R1122	VRS-TW2ED750JY	Metal Oxide 75 1/4W	R AA	AA
R318	VRS-TW2HF820JY	Metal Oxide 82 1/2W	R		R1123	VRS-TW2ED750JY	Metal Oxide 75 1/4W	R AA	AA
R319	VRS-CY1JF122JY	Metal Oxide 1.2k 1/16W	R AA	AA	R1125	VRS-TW2ED750JY	Metal Oxide 75 1/4W	R AA	AA
R320	VRS-CY1JF122JY	Metal Oxide 1.2k 1/16W	R AA	AA	R1126	VRS-CY1JF000JY	Metal Oxide 0 1/16W	R AA	AA
R321	VRS-CY1JF103JY	Metal Oxide 10k 1/16W	R AA	AA	R1127	VRS-TW2ED750JY	Metal Oxide 75 1/4W	R AA	AA
R322	VRS-CY1JF103JY	Metal Oxide 10k 1/16W	R AA	AA	R1128	VRS-CY1JF101JY	Metal Oxide 100 1/16W	R AA	AA
R323	VRS-CY1JF473JY	Metal Oxide 47k 1/16W	R AA	AA	R1129	VRS-TW2ED750JY	Metal Oxide 75 1/4W	R AA	AA
R324	VRS-CY1JF473JY	Metal Oxide 47k 1/16W	R AA	AA	R1130	VRS-CY1JF000JY	Metal Oxide 0 1/16W	R AA	AA
R325	VRS-CY1JF332JY	Metal Oxide 3.3k 1/16W	R AA	AA	R1131	VRS-CY1JF221JY	Metal Oxide 220 1/16W	R AA	AA
R326	VRS-CY1JF332JY	Metal Oxide 3.3k 1/16W	R AA	AA	R1134	VRS-CY1JF102JY	Metal Oxide 1k 1/16W	R AA	AA
R327	VRS-CJ1JF103JY	Metal Oxide 10k 1/16W	R AA	AA	R1137	VRS-CY1JF000JY	Metal Oxide 0 1/16W	R AA	AA
R328	VRS-CJ1JF392JY	Metal Oxide 3.9k 1/16W	R AA	AA	R1138	VRS-CY1JF000JY	Metal Oxide 0 1/16W	R AA	AA
R329	VRS-CY1JF682JY	Metal Oxide 6.8k 1/16W	R AA	AA	R1139	VRS-CJ1JF101JY	Metal Oxide 100 1/16W	R AA	AA
R330	VRS-CY1JF222JY	Metal Oxide 2.2k 1/16W	R AA	AA	R1140	VRS-CY1JF331JY	Metal Oxide 330 1/16W	R AA	AA
R331	VRS-CY1JF222JY	Metal Oxide 2.2k 1/16W	R AA	AA	R1141	VRS-CY1JF564JY	Metal Oxide 560k 1/16W	R AA	AA
R332	VRS-CY1JF102JY	Metal Oxide 1k 1/16W	R AA	AA	R1142	VRS-CY1JF564JY	Metal Oxide 560k 1/16W	R AA	AA
R333	VRS-CJ1JF103JY	Metal Oxide 10k 1/16W	R AA	AA	R1143	VRS-CJ1JF272JY	Metal Oxide 2.7k 1/16W	R AA	AA
R334	VRS-CY1JF682JY	Metal Oxide 6.8k 1/16W	R AA	AA	R1144	VRS-CY1JF102JY	Metal Oxide 1k 1/16W	R AA	AA
R335	VRS-TW2ED100JY	Metal Oxide 10 1/4W	R AA	AA	R1145	VRS-CY1JF102JY	Metal Oxide 1k 1/16W	R AA	AA
R336	VRS-TW2ED100JY	Metal Oxide 10 1/4W	R AA	AA	R1146	VRS-TV1JD221JY	Metal Oxide 220 1/16W	R AA	AA
R337	VRS-TW2ED100JY	Metal Oxide 10 1/4W	R AA	AA	R1147	VRS-CY1JF102JY	Metal Oxide 1k 1/16W	R AA	AA
R338	VRS-TW2ED100JY	Metal Oxide 10 1/4W	R AA	AA	R1148	VRS-TV1JD221JY	Metal Oxide 220 1/16W	R AA	AA
R339	VRS-TW2ED220JY	Metal Oxide 22 1/4W	R AB	AB	R1152	VRS-CJ1JF101JY	Metal Oxide 100 1/16W	R AA	AA
R340	VRS-TW2ED220JY	Metal Oxide 22 1/4W	R AB	AB	R1155	VRS-CJ1JF331JY	Metal Oxide 330 1/16W	R AA	AA
R341	VRS-CJ1JF103JY	Metal Oxide 10k 1/16W	R AA	AA	R1156	VRS-CY1JF564JY	Metal Oxide 560k 1/16W	R AA	AA
R342	VRS-CJ1JF332JY	Metal Oxide 3.3k 1/16W	R AA	AA	R1157	VRS-CY1JF564JY	Metal Oxide 560k 1/16W	R AA	AA
R343	VRS-TW2ED000JY	Metal Oxide 0 1/4W	R AB	AB	R1158	VRS-CJ1JF272JY	Metal Oxide 2.7k 1/16W	R AA	AA
R344	VRS-CJ1JF103JY	Metal Oxide 10k 1/16W	R AA	AA	R1159	VRS-CY1JF102JY	Metal Oxide 1k 1/16W	R AA	AA
R345	VRS-CJ1JF103JY	Metal Oxide 10k 1/16W	R AA	AA	R1160	VRS-CY1JF102JY	Metal Oxide 1k 1/16W	R AA	AA
R346	VRS-CY1JF560JY	Metal Oxide 56 1/16W	R AA	AA	R1161	VRS-CY1JF221JY	Metal Oxide 220 1/16W	R AA	AA
R347	VRS-CY1JF560JY	Metal Oxide 56 1/16W	R AA	AA	R1177	VRS-CY1JF102JY	Metal Oxide 1k 1/16W	R AA	AA
R348	VRS-CJ1JF222JY	Metal Oxide 2.2k 1/16W	R AA	AA	R1179	VRS-CY1JF102JY	Metal Oxide 1k 1/16W	R AA	AA
R349	VRS-CY1JF101JY	Metal Oxide 100 1/16W	R AA	AA	R1201	VRS-CY1JF101JY	Metal Oxide 100 1/16W	R AA	AA
R350	VRS-CY1JF101JY	Metal Oxide 100 1/16W	R AA	AA	R1202	VRS-CY1JF392JY	Metal Oxide 3.9k 1/16W	R AA	AA
R351	VRS-CY1JF103JY	Metal Oxide 10k 1/16W	R AA	AA	R1203	VRS-CY1JF682JY	Metal Oxide 6.8k 1/16W	R AA	AA
R352	VRS-CY1JF103JY	Metal Oxide 10k 1/16W	R AA	AA	R1204	VRS-CY1JF750JY	Metal Oxide 75 1/16W	R AA	AA
R353	VRS-CY1JF102JY	Metal Oxide 1k 1/16W	R AA	AA	R1206	VRS-TW2ED750JY	Metal Oxide 75 1/4W	R AA	AA
R354	VRS-CY1JF102JY	Metal Oxide 1k 1/16W	R AA	AA	R1209	VRS-TW2ED750JY	Metal Oxide 75 1/4W	R AA	AA
R355	VRS-TW2ED2R7JY	Metal Oxide 2.7 1/4W	R		R1210	VRS-CY1JF102JY	Metal Oxide 1k 1/16W	R AA	AA
R356	VRS-CY1JF103JY	Metal Oxide 10k 1/16W	R AA	AA	R1211	VRS-CY1JF102JY	Metal Oxide 1k 1/16W	R AA	AA
R358	VRS-CY1JF000JY	Metal Oxide 0 1/16W	R AA	AA	R1212	VRS-CY1JF104JY	Metal Oxide 100k 1/16W	R AA	AA
R360	VRS-CY1JF472JY	Metal Oxide 4.7k 1/16W	R AA	AA	R1213	VRS-CY1JF102JY	Metal Oxide 1k 1/16W	R AA	AA
R361	VRS-CY1JF101JY	Metal Oxide 100 1/16W	R AA	AA	R1214	VRS-CY1JF102JY	Metal Oxide 1k 1/16W	R AA	AA
R1101	VRS-CY1JF153FY	Metal Oxide 15k 1/16W	R AA	AA	R1215	VRS-CY1JF104JY	Metal Oxide 100k 1/16W	R AA	AA
R1102	VRS-CY1JF153FY	Metal Oxide 15k 1/16W	R AA	AA	R1216	VRS-CY1JF271JY	Metal Oxide 270 1/16W	R AA	AA
R1103	VRS-CY1JF393FY	Metal Oxide 39k 1/16W	R AA	AA	R1217	VRS-CY1JF331JY	Metal Oxide 330 1/16W	R AA	AA
R1104	VRS-CY1JF000JY	Metal Oxide 0 1/16W	R AA	AA	R1218	VRS-CY1JF272JY	Metal Oxide 2.7k 1/16W	R AA	AA
R1105	VRS-CY1JF000JY	Metal Oxide 0 1/16W	R AA	AA	R1219	VRS-CY1JF271JY	Metal Oxide 270 1/16W	R AA	AA
R1106	VRS-CY1JF000JY	Metal Oxide 0 1/16W	R AA	AA	R1221	VRS-CY1JF331JY	Metal Oxide 330 1/16W	R AA	AA
R1107	VRS-TV1JD221JY	Metal Oxide 220 1/16W	R AA	AA	R1222	VRS-CY1JF272JY	Metal Oxide 2.7k 1/16W	R AA	AA
R1108	VRS-CY1JF393FY	Metal Oxide 39k 1/16W	R AA	AA	R1224	VRS-CY1JF564JY	Metal Oxide 560k 1/16W	R AA	AA
R1109	VRS-TV1JD221JY	Metal Oxide 220 1/16W	R AA	AA	R1225	VRS-CY1JF564JY	Metal Oxide 560k 1/16W	R AA	AA
R1110	VRS-CY1JF000JY	Metal Oxide 0 1/16W	R AA	AA	R1226	VRS-CY1JF102JY	Metal Oxide 1k 1/16W	R AA	AA
R1111	VRS-TW2ED680JY	Metal Oxide 68 1/4W	R AA	AA	R1227	VRS-CY1JF102JY	Metal Oxide 1k 1/16W	R AA	AA
R1112	VRS-TW2ED680JY	Metal Oxide 68 1/4W	R AA	AA	R1228	VRS-CY1JF000JY	Metal Oxide 0 1/16W	R AA	AA
R1113	VRS-TW2ED750JY	Metal Oxide 75 1/4W	R AA	AA					

REF No.	PARTS	DESCRIPTION	* SN CODE	EX CODE
DUNTKD604FM10 AV Unit (Continued)				
MISCELLANEOUS PARTS				
FB1101	RBLN-0062TAZZY	Ferrite Beads	R AB	AB
FB1102	RBLN-0062TAZZY	Ferrite Beads	R AB	AB
FB1103	RBLN-0077TAZZY	Ferrite Beads	R AB	AB
FB1104	RBLN-0077TAZZY	Ferrite Beads	R AB	AB
FB1105	RBLN-0051TAZZY	Ferrite Beads	R AC	AC
FB1106	RBLN-0062TAZZY	Ferrite Beads	R AB	AB
FB1107	RBLN-0051TAZZY	Ferrite Beads	R AC	AC
FB1108	RBLN-0062TAZZY	Ferrite Beads	R AB	AB
FB1109	RBLN-0062TAZZY	Ferrite Beads	R AB	AB
FB1110	RBLN-0062TAZZY	Ferrite Beads	R AB	AB
FB1111	RBLN-0051TAZZY	Ferrite Beads	R AC	AC
FB1112	RBLN-0051TAZZY	Ferrite Beads	R AC	AC
FB1201	RBLN-0051TAZZY	Ferrite Beads	R AC	AC
FB1202	RBLN-0051TAZZY	Ferrite Beads	R AC	AC
FB1203	RBLN-0062TAZZY	Ferrite Beads	R AB	AB
FB1204	RBLN-0062TAZZY	Ferrite Beads	R AB	AB
FB1213	RBLN-0210TAZZY	Ferrite Beads	R AB	AB
FB1218	RBLN-0254TAZZY	Ferrite Beads	R AB	AB
J1101	QSOCZA116WJZZ	Socket, 42pin	R	
J1201	QJAKZA033WJZZ	Jack, 16pin (INPUT3)	R	
J1301	QJAKJA007WJZZ	Jack 7pin (HEAD PHONE OUT)	R AD	AD
LUG301	QLUGHA009WJZZY	Lug	R AC	AC
LUG302	QLUGHA009WJZZY	Lug	R AC	AC
LUG303	QLUGHA009WJZZY	Lug	R AC	AC
LUG304	QLUGHA009WJZZY	Lug	R AC	AC
P301	QPLGNA173WJZZY	Plug, 4pin (SP)	R AD	AD
P1101	QCNCMA250WJZZ	Connector, 23pin (to MAIN2)	R AE	AE
P1102	QCNCMA250WJZZ	Connector, 23pin (to MAIN2)	R AE	AE
P1201	QCNCMA250WJZZ	Connector, 23pin (to MAIN2)	R AE	AE
SC301	QSOCZ0738CEZZ	Socket, 7pin (to POWER)	R AE	AE
DUNTKD605FM14/03 (LC-32GD8, LC-32BT8 / (LC-37GD8, LC-37BT8) POWER Unit				
INTEGRATED CIRCUITS				
IC704	VHIMR4030++-1	MR4030-7101	R	
IC705	VHIMR4020++-1	MR4020-7101	R	
IC706	VHITA76431R-1Y	TA76431FR(TE12)	R	
IC707	VHITA76431R-1Y	TA76431FR(TE12)	R	
IC708	VHINJM2904M-1Y	NJM2904M	R AE	AE
IC709	VHINJM2903M-1Y	NJM2903M	R	
TRANSISTORS				
Q702	VS2SC3928AR-1Y	2SC3928AR	R AB	AB
Q704	VS2SC3928AR-1Y	2SC3928AR	R AB	AB
Q708	VS2SC3928AR-1Y	2SC3928AR	R AB	AB
Q710	VS2SC3928AR-1Y	2SC3928AR	R AB	AB
Q712	VS2SC3928AR-1Y	2SC3928AR	R AB	AB
Q713	VS2SC3928AR-1Y	2SC3928AR	R AB	AB
Q721	VS2SC3928AR-1Y	2SC3928AR	R AB	AB
Q723	RH-TXA037WJZZY	TXA037WJ	R AE	AE
Q724	RH-TXA037WJZZY	TXA038WJ	R AE	AE
Q726	VS2SC3928AR-1Y	2SC3928AR	R AB	AB
Q729	VS2SD2185R+-1Y	2SD2185R	R AF	AF
Q730	RH-TXA026WJZZY	TXA026WJ	R AD	AD
Q731	RH-TXA026WJZZY	TXA027WJ	R AD	AD
DIODES				
△ D701	RH-DX0477CEZZ	D5SB60	R AF	AF
D707	VHD1SS355/-1Y	1SS355TE-17	R AB	AB
D714	RH-EX1398CEZZY	UDZSTE-178.2B	R AB	AB

REF No.	PARTS	DESCRIPTION	* SN CODE	EX CODE
D715	VHDD1FL20U/-1Y	D1FL20U	R AC	AC
D716	VHUU05NU44+-1Y	U05NU44(TE12L,Q)	R AE	AE
D717	VHDD1FL20U/-1Y	D1FL20U	R AC	AC
D718	RH-EXA091WJZZY	UDZSTE-1711B	R AB	AB
D720	VHUU05NU44+-1Y	U05NU44(TE12L,Q)	R AE	AE
D721	RH-EXA096WJZZY	UDZSTE-1718B	R AB	AB
D722	VHD1SS355/-1Y	1SS355TE-17	R AB	AB
D724	VHDD1FL20U/-1Y	D1FL20U	R AC	AC
D725	VHDD1FL20U/-1Y	D1FL20U	R AC	AC
D726	VHDD1FL20U/-1Y	D1FL20U	R AC	AC
D728	VHEST03D170-1	ZENER DIODE	R AG	AG
D729	VHEST03D170-1	ZENER DIODE	R AG	AG
△ D730	RH-FXA003WJZZ	PC123Y82	R AD	AD
△ D731	RH-FXA003WJZZ	PC123Y82	R AD	AD
△ D732	RH-FXA003WJZZ	PC123Y82	R AD	AD
△ D733	RH-FXA003WJZZ	PC123Y82	R AD	AD
△ D734	RH-FXA003WJZZ	PC123Y82	R AD	AD
D735	VHDSF6L20U+-1	SF6L20U	R AG	AG
D736	RH-DXA080WJZZ	SF20JC10-7100	R AK	AK
D737	RH-DXA081WJZZ	D15SCA4M-7000	R AH	AH
D738	RH-DXA088WJZZY	D1FL40-5063	R AD	AD
D739	RH-DXA085WJZZ	D5S9M-7000	R AK	AK
D741	RH-EX1398CEZZY	UDZSTE-178.2B	R AB	AB
D742	VHD1SS355/-1Y	1SS355TE-17	R AB	AB
D746	RH-EXA102WJZZY	UDZSTE-1733B	R AB	AB
D747	VHD1SS355/-1Y	1SS355TE-17	R AB	AB
D748	RH-EXA094WJZZY	UDZSTE-1715B	R AB	AB
D749	RH-EX1400CEZZY	UDZSTE-1710B	R AB	AB
D751	RH-EX1398CEZZY	UDZSTE-178.2B	R AB	AB
D752	VHD1SS355/-1Y	1SS355TE-17	R AB	AB
D753	RH-EXA094WJZZY	UDZSTE-1715B	R AB	AB
D754	RH-EXA101WJZZY	UDZSTE-1730B	R AB	AB
D755	VHD1SS355/-1Y	1SS355TE-17	R AB	AB
D756	RH-EXA101WJZZY	UDZSTE-1730B	R AB	AB
D757	VHD1SS355/-1Y	1SS355TE-17	R AB	AB
D759	RH-EXA101WJZZY	UDZSTE-1730B	R AB	AB
D761	VHDD1FL20U/-1Y	D1FL20U	R AC	AC
D762	VHEST03D170-1	ZENER DIODE	R AG	AG
D763	RH-EX1394CEZZY	ZENER DIODE, 5.6V	R AB	AB
D765	VHD1SS355/-1Y	1SS355TE-17	R AB	AB
D767	VHD1SS355/-1Y	1SS355TE-17	R AB	AB
D771	VHEST03D-82-1	ZENER DIODE	R AG	AG
D772	RH-EXA102WJZZY	UDZSTE-1733B	R AB	AB
D773	VHD1SS355/-1Y	1SS355TE-17	R AB	AB
D774	VHD1SS355/-1Y	1SS355TE-17	R AB	AB
D775	VHD1SS355/-1Y	1SS355TE-17	R AB	AB
D776	RH-EX1234CEZZY	ZENER DIODE, 3.6V	R AE	AE
D777	VHUU05NU44+-1Y	U05NU44(TE12L,Q)	R AE	AE
D778	VHUU05NU44+-1Y	U05NU44(TE12L,Q)	R AE	AE
D779	VHD1SS355/-1Y	1SS355TE-17	R AB	AB
D780	RH-EX1015GEZZY	PTZTE2516B	R AD	AD
D781	RH-EX1015GEZZY	PTZTE2516B	R AD	AD
D782	RH-EXA359WJZZY	ZENER DIODE, 33V	R AE	AE
D783	RH-EXA359WJZZY	ZENER DIODE, 33V	R AE	AE
THERMISTOR				
△ TH701	RH-HXA033WJZZ	Thermistor	R AG	AG
VARIATOR				
△ VA701	RH-VXA071WJQZ	ERZV10D471CS	R AD	AD
△ VA702	RH-VXA071WJQZ	ERZV10D471CS	R AD	AD
COILS AND TRANSFORMERS				
△ L701	RCILFA211WJZZ	Coil	R AG	AG
△ L702	RCILF0024PEZZ	Coil	R AN	AN

REF No.	PARTS	DESCRIPTION	* SN CODE	EX CODE	REF No.	PARTS	DESCRIPTION	* SN CODE	EX CODE		
L753	RCILPA642WJZZ	Coil	R	AE	AE	DUNTKD605FM14/03 (LC-32GD8, LC-32BT8 / (LC-37GD8, LC-37BT8) POWER Unit (Continued)					
△ T701	RTRNWA230WJZZ	Transformer	R	AP	AP						
△ T702	RTRNWA231WJZZ	Transformer	R	AR	AR	C781	VCFYAA2JA103K+	0.01 630V Capacitor	R	AC	AC
△ T703	RTRNCA022WJZZ	Choke Transformer	R	AW	AW	C782	VCFYAA2JA103K+	0.01 630V Capacitor	R	AC	AC
		(LC-32GD8E/RU, LC-32BT8E/RU)				C783	RC-KZA213WJZZY	4.7 25V Ceramic	R	AC	AC
△ T703	RTRNCA023WJZZ	Choke Transformer	R	AW	AW	C789	VCKYCY1HB104KY	0.1 50V Ceramic	R	AA	AA
		(LC-37GD8E/RU, LC-37BT8E/RU)				C790	VCKYCY1HB104KY	0.1 50V Ceramic	R	AA	AA
						C792	VCKYCY1AB105KY	1 10V Ceramic	R	AB	AB
CAPACITORS											
△ C704	RC-FZA026WJZZ	0.47 275V Film	R	AE	AE	C793	VCKYCY1CB104KY	0.1 16V Ceramic	R	AB	AB
C705	RC-EZA985WJZZ	Capacitor	R	AR	AR	C794	RC-KZA388WJZZY	10 6.3V Ceramic	R	AC	AC
		(LC-32GD8E/RU, LC-32BT8E/RU)				C795	VCKYCY1AB105KY	1 10V Ceramic	R	AB	AB
C705	RC-EZA986WJZZ	1SS390TE61	R	AT	AT	C796	VCKYCY1AB105KY	1 10V Ceramic	R	AB	AB
		(LC-37GD8E/RU, LC-37BT8E/RU)				C798	VCKYCY1CB104KY	0.1 16V Ceramic	R	AB	AB
C706	RC-EZA985WJZZ	Capacitor	R	AR	AR	C799	VCKYCY1CB104KY	0.1 16V Ceramic	R	AB	AB
		(LC-32GD8E/RU, LC-32BT8E/RU)				C800	VCKYCY1CB104KY	0.1 16V Ceramic	R	AB	AB
C706	RC-EZA986WJZZ	1SS390TE61	R	AT	AT	C801	VCKYCY1CB104KY	0.1 16V Ceramic	R	AB	AB
		(LC-37GD8E/RU, LC-37BT8E/RU)				C804	VCKYCY1CB104KY	0.1 16V Ceramic	R	AB	AB
△ C708	RC-KZ0105GEZZ	2200p 250V Ceramic	R	AD	AD	RESISTORS					
△ C709	RC-KZ0105GEZZ	2200p 250V Ceramic	R	AD	AD	△ R701	RR-HZ0008GEZZY	Resistor	R	AE	AE
△ C712	RC-FZA026WJZZ	0.47 275V Film	R	AE	AE	△ R702	RR-HZ0008GEZZY	Resistor	R	AE	AE
C713	RC-KZA388WJZZY	10 6.3V Ceramic	R	AC	AC	R727	VRS-TV1JD563JY	56k 1/10W Metal Oxide	R	AA	AA
C716	VCKYCY1HB104KY	0.1 50V Ceramic	R	AA	AA	R730	VRS-TQ2EF124FY	120k 1/4W Metal Oxide	R	AA	AA
C717	VCKYCY1HB104KY	0.1 50V Ceramic	R	AA	AA	R731	VRS-TQ2EF124FY	120k 1/4W Metal Oxide	R	AA	AA
C720	VCKYCY1HB104KY	0.1 50V Ceramic	R	AA	AA	R732	VRS-TQ2EF124FY	120k 1/4W Metal Oxide	R	AA	AA
C722	VCCCCY1HH470JY	47p 50V Ceramic	R	AA	AA	R740	VRS-TV1JD564JY	560k 1/10W Metal Oxide	R	AA	AA
C723	RC-EZA489WJZZ+	47 35V Electrolytic	R	AC	AC	R741	VRS-TV1JD103JY	10k 1/10W Metal Oxide	R	AA	AA
C725	RC-KZA304WJZZ	470p 2KV Ceramic	R	AD	AD	R742	VRS-TV1JD103JY	10k 1/10W Metal Oxide	R	AA	AA
C726	VCCCCY1HH101JY	100p 50V Ceramic	R	AA	AA	R743	VRS-CY1JF224JY	220k 1/16W Metal Oxide	R	AA	AA
C728	VCKYCY1HB332KY	3300p 50V Ceramic	R	AA	AA	R745	VRS-TV1JD912JY	9.1k 1/10W Metal Oxide	R	AA	AA
C730	VCKYCY1HB104KY	0.1 50V Ceramic	R	AA	AA	R746	VRS-TV1JD103JY	10k 1/10W Metal Oxide	R	AA	AA
C732	VCKYCY1HB104KY	0.1 50V Ceramic	R	AA	AA	R747	VRS-TV1JD103FY	10k 1/10W Metal Oxide	R	AA	AA
C733	VCKYCY1HB222KY	2200p 50V Ceramic	R	AA	AA	R748	VRS-TV1JD103JY	10k 1/10W Metal Oxide	R	AA	AA
C734	RC-KZA304WJZZ	470p 2KV Ceramic	R	AD	AD	R751	VRN-VV3DBR10J	0.1 2W Metal Film	R	AB	AB
C735	RC-EZA489WJZZ+	47 35V Electrolytic	R	AC	AC	R752	VRS-TV1JD000JY	0 1/10W Metal Oxide	R	AA	AA
C736	RC-EZA489WJZZ+	47 35V Electrolytic	R	AC	AC	R753	VRS-TV1JD133JY	13k 1/10W Metal Oxide	R	AA	AA
C739	VCCCCY1HH102JY	1000p 50V Ceramic	R	AB	AB	R755	VRS-TV1JD203FY	20k 1/10W Metal Oxide	R	AA	AA
△ C740	RC-KZ0105GEZZ	2200p 250V Ceramic	R	AD	AD	R756	VRS-TV1JD183FY	18k 1/10W Metal Oxide	R	AA	AA
△ C741	RC-KZ0105GEZZ	2200p 250V Ceramic	R	AD	AD	R757	VRS-TV1JD103JY	10k 1/10W Metal Oxide	R	AA	AA
△ C742	RC-KZ0105GEZZ	2200p 250V Ceramic	R	AD	AD	R758	VRS-TV1JD564JY	560k 1/10W Metal Oxide	R	AA	AA
C743	RC-EZA513WJZZ	470 50V Electrolytic	R	AH	AH	R759	VRS-TV1JD103JY	10k 1/10W Metal Oxide	R	AA	AA
C744	RC-EZA499WJZZ	330 25V Electrolytic	R	AH	AH	R760	VRN-VV3DBR15J	0.15 2W Metal Film	R	AB	AB
C745	VCKYCY1HB472KY	4700p 50V Ceramic	R	AA	AA	R761	VRS-TV1JD103JY	10k 1/10W Metal Oxide	R	AA	AA
C749	VCKYTV1HB683KY	0.068 50V Ceramic	R	AB	AB	R764	VRS-TV1JD103JY	10k 1/10W Metal Oxide	R	AA	AA
C751	RC-EZA499WJZZ	330 25V Electrolytic	R	AH	AH	R765	VRS-TV1JD104JY	100k 1/10W Metal Oxide	R	AA	AA
C752	RC-EZA452WJZZ	2200 10V Electrolytic	R	AG	AG	R766	VRS-TV1JD103JY	10k 1/10W Metal Oxide	R	AA	AA
C753	VCKYTV1HB683KY	0.068 50V Ceramic	R	AB	AB	R767	VRS-TQ2EF391JY	390 1/4W Metal Oxide	R	AA	AA
C754	RC-EZA510WJZZ	220 50V Electrolytic	R	AF	AF	R770	VRS-TQ2BD000JY	0 1/8W Metal Oxide	R	AA	AA
C755	RC-EZA499WJZZ	330 25V Electrolytic	R	AH	AH	R773	VRS-TV1JD103JY	10k 1/10W Metal Oxide	R	AA	AA
C756	RC-EZA452WJZZ	2200 10V Electrolytic	R	AG	AG	R774	VRS-TV1JD103JY	10k 1/10W Metal Oxide	R	AA	AA
C757	RC-EZA480WJZZ	680 25V Electrolytic	R	AD	AD	R775	VRS-TV1JD153FY	15k 1/10W Metal Oxide	R	AA	AA
C758	RC-EZA490WJZZ+	100 35V Electrolytic	R	AD	AD	R776	VRS-TV1JD102JY	1k 1/10W Metal Oxide	R	AA	AA
C762	RC-EZA513WJZZ	470 50V Electrolytic	R	AH	AH	R777	VRS-TV1JD242FY	2.4k 1/10W Metal Oxide	R	AA	AA
C763	VCKYCY1HB104KY	0.1 50V Ceramic	R	AA	AA	R778	VRS-TV1JD242FY	2.4k 1/10W Metal Oxide	R	AA	AA
C764	VCKYCY1HB104KY	0.1 50V Ceramic	R	AA	AA	R779	VRS-TV1JD103JY	10k 1/10W Metal Oxide	R	AA	AA
C765	VCKYCY1HB104KY	0.1 50V Ceramic	R	AA	AA	R780	VRS-TV1JD682JY	6.8k 1/10W Metal Oxide	R	AA	AA
C767	RC-EZA510WJZZ	220 50V Electrolytic	R	AF	AF	R781	VRS-TV1JD242FY	2.4k 1/10W Metal Oxide	R	AA	AA
C768	RC-EZA452WJZZ	2200 10V Electrolytic	R	AG	AG	R782	VRS-TV1JD102JY	1k 1/10W Metal Oxide	R	AA	AA
C771	VCKYCY1HB272KY	2700p 50V Ceramic	R	AA	AA	R783	VRS-TV1JD223JY	22k 1/10W Metal Oxide	R	AA	AA
C772	VCKYCY1HB104KY	0.1 50V Ceramic	R	AA	AA	R784	VRS-TV1JD242JY	2.4k 1/10W Metal Oxide	R	AA	AA
C774	VCKYCY1CB104KY	0.1 16V Ceramic	R	AB	AB	R785	VRS-TV1JD103JY	10k 1/10W Metal Oxide	R	AA	AA
C776	RC-KZA213WJZZY	4.7 25V Ceramic	R	AC	AC	R787	VRS-TV1JD103JY	10k 1/10W Metal Oxide	R	AA	AA
△ C777	RC-KZ0105GEZZ	2200p 250V Ceramic	R	AD	AD	R788	VRS-TV1JD202FY	2.0k 1/10W Metal Oxide	R	AA	AA
△ C778	RC-KZ0105GEZZ	2200p 250V Ceramic	R	AD	AD	R789	VRS-TV1JD681FY	680 1/10W Metal Oxide	R	AA	AA

REF No.	PARTS	DESCRIPTION	* SN CODE	EX CODE
R791	VRS-TV1JD103JY	10k 1/10W Metal Oxide	R AA	AA
R792	VRS-TV1JD272JY	2.7k 1/10W Metal Oxide	R AA	AA
R793	VRS-TV1JD103JY	10k 1/10W Metal Oxide	R AA	AA
R794	VRS-TV1JD821FY	820 1/10W Metal Oxide	R AA	AA
R795	VRS-TV1JD203FY	20k 1/10W Metal Oxide	R AA	AA
R796	VRS-TV1JD272JY	2.7k 1/10W Metal Oxide	R AA	AA
R797	VRS-TV1JD104FY	100k 1/10W Metal Oxide	R AA	AA
R801	VRS-CY1JF122JY	1.2k 1/16W Metal Oxide	R AA	AA
R805	VRS-TV1JD224JY	220k 1/10W Metal Oxide	R AA	AA
R809	VRS-CY1JF122JY	1.2k 1/16W Metal Oxide	R AA	AA
R812	VRS-CY1JF122JY	1.2k 1/16W Metal Oxide	R AA	AA
R817	VRS-TQ2EF122JY	1.2k 1/4W Metal Oxide	R AA	AA
R820	VRS-CY1JF122JY	1.2k 1/16W Metal Oxide	R AA	AA
R823	VRS-TV1JD103JY	10k 1/10W Metal Oxide	R AA	AA
R824	VRS-TQ2EF332JY	3.3k 1/4W Metal Oxide	R AA	AA
R825	VRS-TV1JD103JY	10k 1/10W Metal Oxide	R AA	AA
R828	VRS-TQ2EF220JY	22 1/4W Metal Oxide	R AA	AA
R831	VRS-TV1JD103JY	10k 1/10W Metal Oxide	R AA	AA
R833	VRS-TQ2EF223FY	22k 1/4W Metal Oxide	R AA	AA
R834	VRS-TV1JD103JY	10k 1/10W Metal Oxide	R AA	AA
R835	VRS-TQ2BD000JY	0 1/8W Metal Oxide	R AA	AA
R836	VRS-TV1JD103JY	10k 1/10W Metal Oxide	R AA	AA
R851	VRS-TQ2EF221JY	220 1/4W Metal Oxide	R AA	AA
R852	VRS-TQ2EF221JY	220 1/4W Metal Oxide	R AA	AA
R854	VRS-VV3DB102J	1k 2W Metal Oxide	R AA	AA
R857	VRS-TQ2BD000JY	0 1/8W Metal Oxide	R AA	AA
R858	VRS-TV1JD272JY	2.7k 1/10W Metal Oxide	R AA	AA
R859	VRS-CY1JF123JY	12k 1/16W Metal Oxide	R AA	AA
R860	VRS-CY1JF472JY	4.7k 1/16W Metal Oxide	R AA	AA
R861	VRS-CY1JF272JY	2.7k 1/16W Metal Oxide	R AA	AA
R862	VRS-CY1JF272JY	2.7k 1/16W Metal Oxide	R AA	AA
R863	VRS-CY1JF472JY	4.7k 1/16W Metal Oxide	R AA	AA
R864	VRS-CY1JF333JY	33k 1/16W Metal Oxide	R AA	AA
R865	VRS-CY1JF333JY	33k 1/16W Metal Oxide	R AA	AA
R866	VRS-CY1JF473JY	47k 1/16W Metal Oxide	R AA	AA
R867	VRS-CY1JF123JY	12k 1/16W Metal Oxide	R AA	AA
R868	VRS-CY1JF122JY	1.2k 1/16W Metal Oxide	R AA	AA
R869	VRS-CY1JF332JY	3.3k 1/16W Metal Oxide	R AA	AA
R870	VRS-CY1JF222JY	2.2k 1/16W Metal Oxide	R AA	AA
R871	VRS-CY1JF122JY	1.2k 1/16W Metal Oxide	R AA	AA
R872	VRS-CY1JF472JY	4.7k 1/16W Metal Oxide	R AA	AA
R873	VRS-CY1JF122JY	1.2k 1/16W Metal Oxide	R AA	AA
R877	VRS-TQ2EF124FY	120k 1/4W Metal Oxide	R AA	AA
R878	VRS-TQ2EF124FY	120k 1/4W Metal Oxide	R AA	AA
MISCELLANEOUS PARTS				
F701	QFS-ZA007WJZZ	Fuse, 4A/250V	R AC	AC
RY701	RRLYDA008WJZZ	Relay	R AG	AG
SC701	QSOCAA008WJZZ	AC INPUT Terminal	R AE	AE
LUG701	QLUGHA002WJZZ	Lug	R AB	AB
LUG702	QLUGHA002WJZZ	Lug	R AB	AB
LUG703	QLUGHA002WJZZ	Lug	R AB	AB
LUG704	QLUGHA002WJZZ	Lug	R AB	AB
P701	QCNCMA250WJZZ	Connector, 23-pin	R AE	AE
P702	QCNCMA247WJZZ	Connector, 9-pin	R AD	AD
P703	QPLGZ0738CEZZ	Plug, 7-pin	R AC	AC
P704	QPLGNA053WJZZ	Plug, 14-pin(LA)	R AF	AF
E701	LANGQA027WJFW	Fixing Metal	R AE	AE
RDA701	PRDARA323WJFW	Heat Sink	R AG	AG
RDA702	PRDARA306WJFW	Heat Sink	R AG	AG
RDA703	PRDARA307WJFW	Heat Sink	R AK	AK
		(LC-32GD8E/RU, LC-32BT8E/RU)		
RDA703	PRDARA340WJFW	Heat Sink	R AL	AL
		(LC-37GD8E/RU, LC-37BT8E/RU)		

REF No.	PARTS	DESCRIPTION	* SN CODE	EX CODE
RDA704	PRDARA308WJFW	Heat Sink	R AH	AH
RDA705	PRDARA309WJFW	Heat Sink	R AH	AH
RDA706	PRDARA334WJFW	1SS390TE61	R AF	AF
		(LC-37GD8E/RU, LC-37BT8E/RU)		
RJ1	VRS-CY1JF000JY	0 1/16W Metal Oxide	R AA	AA
RJ2	VRS-CY1JF000JY	0 1/16W Metal Oxide	R AA	AA
RJ3	VRS-CY1JF000JY	0 1/16W Metal Oxide	R AA	AA
RJ4	VRS-CY1JF000JY	0 1/16W Metal Oxide	R AA	AA
	LX-BZ3049GEF7	Screw, x7	R AA	AA
	LX-BZA165WJZZ	Screw	R	
	XBSSN30P06000	Screw	R AA	AA
		(LC-37GD8E/RU, LC-37BT8E/RU)		
DUNTKD606FMV0				
KEY Unit				
DIODE				
D151	RH-EX0641GEZZY	Zener Diode	R AA	AA
RESISTORS				
R151	VRD-RA2BE182JY	Carbon 1.8k 1/8W	R AA	AA
R152	VRD-RA2BE431JY	Carbon 430 1/8W	R	
R153	VRD-RA2BE822JY	Carbon 8.2k 1/8W	R AA	AA
R155	VRD-RA2BE432JY	Carbon 4.3k 1/8W	R	
R156	VRD-RA2BE911JY	Carbon 910 1/8W	R	
SWITCHES				
S151	QSW-K0003AJZZ+	Switch, CH-UP	R AB	AB
S152	QSW-K0003AJZZ+	Switch, CH-DOWN	R AB	AB
S153	QSW-K0003AJZZ+	Switch, MENU	R AB	AB
S154	QSW-K0003AJZZ+	Switch, VOL-UP	R AB	AB
S155	QSW-K0003AJZZ+	Switch, VOL-DOWN	R AB	AB
S156	QSW-PA020WJZZ	Switch,	R	
MISCELLANEOUS PART				
P153	QPLGNA057WJZZ	Plug, 3pin (KM) (to MAIN5)	R AB	AB
DUNTKD607FMV0				
R/C, LED Unit				
INTEGRATED CIRCUITS				
IC101	VH1TPS8501Y	TPS850	R AG	AG
DIODE				
D101	RH-EXA092WJZZY	Zener Diode, 12V	R AB	AB
D102	RH-PX0202TAZZY	GR1102W-330-TR	R AC	AC
D103	RH-PX0210TAZZY	BRPG1211C-TR	R AC	AC
D104	RH-PX0419CEZZY	PhotoDiode	R AC	AC
CAPACITORS				
C101	VCEASY1CN107MY	Electrolytic 100 16V	R AC	AC
C102	VCKYTV1CF225ZY	Ceramic 2.2 16V	R AB	AB
C104	VCEASX1CN106MY	Electrolytic 10 16V	R AC	AC
C105	VCKYCY1HF103ZY	Ceramic 0.01 50V	R AA	AA
RESISTORS				
R101	VRS-CY1JF101JY	Metal Oxide 100 1/16W	R AA	AA
R108	VRS-CY1JF271JY	Metal Oxide 270 1/16W	R AA	AA
R109	VRS-CY1JF122JY	Metal Oxide 1.2k 1/16W	R AA	AA
R112	VRS-CY1JF471JY	Metal Oxide 470 1/16W	R AA	AA
R114	VRS-CY1JF821JY	Metal Oxide 820 1/16W	R AA	AA
MISCELLANEOUS PARTS				
P101	QPLGNA344WJZZY	Plug, 10pin (RA) (to MAIN5)	R AD	AD
RMC101	RRMCUA053WJZZ	Remote Receiver	R	
SLD101	PSLDM4646CEFW	Shield	R AD	AD

REF No.	PARTS	DESCRIPTION	* SN CODE	EX CODE
CKITKD609FM01				
DIGITAL TUNER Unit				
TUNER				
TU201	RTUNQA033WJZZ	Tuner	S	AN AZ
INTEGRATED CIRCUITS				
IC201	VHITDA9886+-1Y	TDA9886	R	
IC202	RH-IB682WJZZQ	STV0360C	R	
IC203	VHISN2G53CT-1Y	SN74AHC2G53HDC	R	AE AE
IC204	VHILV4053AT-1Y	SN74LV4053APWR	R	AE AE
IC205	VHIPQ1M185M-1Y	PQ1M185M2SPQ	R	AD AD
IC206	VHIMM3033E+-1Y	MM3033EURE	R	
IC207	VSSSM6J51TU-1Y	SSM6J51TU	R	
TRANSISTORS				
IC201	VHITDA9886+-1Y	TDA9886	R	
IC202	RH-IB682WJZZQ	STV0360C	R	
IC203	VHISN2G53CT-1Y	SN74AHC2G53HDC	R	AE AE
IC204	VHILV4053AT-1Y	SN74LV4053APWR	R	AE AE
IC205	VHIPQ1M185M-1Y	PQ1M185M2SPQ	R	AD AD
IC206	VHIMM3033E+-1Y	MM3033EURE	R	
IC207	VSSSM6J51TU-1Y	SSM6J51TU	R	
DIODES				
D201	VHD1SS390+-1Y	1SS390	R	AB AB
D203	VHD1SS390+-1Y	1SS390	R	AB AB
D204	VHD1SS390+-1Y	1SS390	R	AB AB
D205	VHD1SS390+-1Y	1SS390	R	AB AB
D206	VHD1SS390+-1Y	1SS390	R	AB AB
D207	VHD1SS390+-1Y	1SS390	R	AB AB
PACKAGED CIRCUITS				
X201	RCRSAA029WJZZ	Crystal	R	AF AF
X202	RCRSCA039WJZZY	Crystal AG	R	
COILS AND FILTERS				
FL201	RFILC0278BMZZ	Filter	R	AM AM
FL202	RFILC0294BMZZ	Filter	R	
L203	VPCNN100J1R6NY	Peaking, 10µH	R	AB AB
L204	VPCNN120J1R9NY	Peaking, 12µH	R	
L205	VPCNN330J4R2NY	Peaking, 33µH	R	
L206	VPCUN1R5MR12NY	Peaking, 1.5µH	R	
L207	VPCNN2R2JR77NY	Peaking, 2.2µH	R	
L208	VPCNN2R2JR77NY	Peaking, 2.2µH	R	
L209	VPCNN2R2JR77NY	Peaking, 2.2µH	R	
L210	VPCNN2R2JR77NY	Peaking, 2.2µH	R	
L212	VPD9MR18JR21NY	Peaking, 0.18µH	R	
L213	VPCKM330J3R9NY	Peaking, 33µH	R	AB AB
CAPACITORS				
C201	VCEASX1AN336MY	33 10V Electrolytic	R	AC AC
C202	VCCCCY1HH220JY	22p 50V Ceramic	R	AA AA
C203	VCCCCY1HH220JY	22p 50V Ceramic	R	AA AA
C204	VCEASX1CN477MY	470 16V Electrolytic	R	AE AE
C205	VCKYCY1HF103ZY	0.01 50V Ceramic	R	AA AA
C206	VCEASX1CN107MY	100 16V Electrolytic	R	AC AC
C207	VCKYCY1HF103ZY	0.01 50V Ceramic	R	AA AA
C215	VCKYCY1HF103ZY	0.01 50V Ceramic	R	AA AA
C216	VCKYCY1HF103ZY	0.01 50V Ceramic	R	AA AA
C217	VCEASX1HN106MY	10 50V Electrolytic	R	AC AC
C218	VCKYCY1HB103KY	0.01 50V Ceramic	R	AA AA
C219	VCKYCY1EF104ZY	0.1 25V Ceramic	R	AA AA
C220	VCKYCY1HF103ZY	0.01 50V Ceramic	R	AA AA
C221	VCEASX1CN107MY	100 16V Electrolytic	R	AC AC
C222	VCKYCY1EF104ZY	0.1 25V Ceramic	R	AA AA

REF No.	PARTS	DESCRIPTION	* SN CODE	EX CODE
CKITKD609FM01				
DIGITAL TUNER Unit (Continued)				
C223	VCCCCY1HH391JY	390p 50V Ceramic	R	AB AB
C224	VCKYTV1CB224KY	0.22 16V Ceramic	R	AB AB
C225	VCKYCY1HB152KY	1500p 50V Ceramic	R	AA AA
C226	VCEASX1AN227MY	220 10V Electrolytic	R	AD AD
C227	VCKYCY1HF103ZY	0.01 50V Ceramic	R	AA AA
C228	VCKYTV1CB474KY	0.47 16V Ceramic	R	AC AC
C229	VCCCCY1HH120JY	12p 50V Ceramic	R	AA AA
C230	VCEASX1HN106MY	10 50V Electrolytic	R	AC AC
C231	VCKYCY1HF103ZY	0.01 50V Ceramic	R	AA AA
C232	VCCCCY1HH330JY	33p 50V Ceramic	R	AA AA
C233	VCKYCY1HB102KY	1000p 50V Ceramic	R	AA AA
C234	VCKYCY1EF104ZY	0.1 25V Ceramic	R	AA AA
C235	VCCCCY1HH150JY	15p 50V Ceramic	R	AA AA
C236	VCKYCY1HF103ZY	0.01 50V Ceramic	R	AA AA
C237	VCEASX1HN225MY	2.2 50V Electrolytic	R	AB AB
C241	VCEASX1AN336MY	33 10V Electrolytic	R	AC AC
C242	VCEASX1CN106MY	10 16V Electrolytic	R	AC AC
C243	VCKYCY1EF104ZY	0.1 25V Ceramic	R	AA AA
C244	VCEASX0JN226MY	22 6.3V Electrolytic	R	AB AB
C245	VCKYCY1EF104ZY	0.1 25V Ceramic	R	AA AA
C246	VCEASX1CN106MY	10 16V Electrolytic	R	AC AC
C247	VCEASX1CN106MY	10 16V Electrolytic	R	AC AC
C248	VCKYCY1HF103ZY	0.01 50V Ceramic	R	AA AA
C249	VCEASX1CN106MY	10 16V Electrolytic	R	AC AC
C250	VCKYCY1HF103ZY	0.01 50V Ceramic	R	AA AA
C251	VCKYCY1HF103ZY	0.01 50V Ceramic	R	AA AA
C252	VCEASX1CN106MY	10 16V Electrolytic	R	AC AC
C253	VCKYCY1HF103ZY	0.01 50V Ceramic	R	AA AA
C254	VCKYCY1HF103ZY	0.01 50V Ceramic	R	AA AA
C255	VCKYCY1EF104ZY	0.1 25V Ceramic	R	AA AA
C256	VCKYCY1EF104ZY	0.1 25V Ceramic	R	AA AA
C257	VCKYCY1HB103KY	0.01 50V Ceramic	R	AA AA
C258	VCKYCY1HB103KY	0.01 50V Ceramic	R	AA AA
C259	VCCCCY1HH2R0CY	2.0p 50V Ceramic	R	AA AA
C260	VCCCCY1HH150JY	15p 50V Ceramic	R	AA AA
C261	VCEASX1CN106MY	10 16V Electrolytic	R	AC AC
C262	VCKYCY1EF104ZY	0.1 25V Ceramic	R	AA AA
C263	VCKYCY1EF104ZY	0.1 25V Ceramic	R	AA AA
C266	VCKYCY1HF103ZY	0.01 50V Ceramic	R	AA AA
C267	VCKYCY1HF103ZY	0.01 50V Ceramic	R	AA AA
C268	VCKYCY1EB104KY	0.1 25V Ceramic	R	AB AB
C269	VCKYCY1EB104KY	0.1 25V Ceramic	R	AB AB
C270	VCAAPD0J227MY	220 6.3V Electrolytic	R	AF AF
C271	VCKYCY1HF103ZY	0.01 50V Ceramic	R	AA AA
C272	VCKYCY1HB102KY	1000p 50V Ceramic	R	AA AA
C273	VCAAPD0J227MY	220 6.3V Electrolytic	R	AF AF
C274	VCKYCY1EF104ZY	0.1 25V Ceramic	R	AA AA
C275	VCKYCY1EF104ZY	0.1 25V Ceramic	R	AA AA
C276	VCKYCY1HB103KY	0.01 50V Ceramic	R	AA AA
C279	RC-KZA073WJZZY	10 16V Ceramic	R	
RESISTORS				
R201	VRS-CY1JF104JY	100k 1/16W Metal Oxide	R	AA AA
R202	VRS-CY1JF681JY	680 1/16W Metal Oxide	R	AA AA
R203	VRS-CY1JF683JY	68k 1/16W Metal Oxide	R	AA AA
R204	VRS-CY1JF123JY	12k 1/16W Metal Oxide	R	AA AA
R205	VRS-CY1JF473JY	47k 1/16W Metal Oxide	R	AA AA
R206	VRS-CY1JF000JY	0 1/16W Metal Oxide	R	AA AA
R207	VRS-CY1JF470JY	47 1/16W Metal Oxide	R	AA AA
R208	VRS-CY1JF470JY	47 1/16W Metal Oxide	R	AA AA
R209	VRS-CY1JF123JY	12k 1/16W Metal Oxide	R	AA AA
R219	VRS-CY1JF222JY	2.2k 1/16W Metal Oxide	R	AA AA

REF No.	PARTS	DESCRIPTION	* SN CODE	EX CODE
R223	VRS-CY1JF562JY	5.6k 1/16W Metal Oxide	R AA	AA
R224	VRS-CY1JF562JY	5.6k 1/16W Metal Oxide	R AA	AA
R226	VRS-CY1JF103JY	10k 1/16W Metal Oxide	R AA	AA
R227	VRS-CY1JF103JY	10k 1/16W Metal Oxide	R AA	AA
R228	VRS-CY1JF223JY	22k 1/16W Metal Oxide	R AA	AA
R229	VRS-CY1JF223JY	22k 1/16W Metal Oxide	R AA	AA
R230	VRS-CY1JF562JY	5.6k 1/16W Metal Oxide	R AA	AA
R231	VRS-TQ2BD330JY	33 1/8W Metal Oxide	R AA	AA
R232	VRS-CY1JF331JY	330 1/16W Metal Oxide	R AA	AA
R233	VRS-CY1JF821JY	820 1/16W Metal Oxide	R AA	AA
R234	VRS-CY1JF271JY	270 1/16W Metal Oxide	R AA	AA
R235	VRS-CY1JF101JY	100 1/16W Metal Oxide	R AA	AA
R236	VRS-CY1JF101JY	100 1/16W Metal Oxide	R AA	AA
R237	VRS-CY1JF331JY	330 1/16W Metal Oxide	R AA	AA
R238	VRS-CY1JF151JY	150 1/16W Metal Oxide	R AA	AA
R239	VRS-CY1JF101JY	100 1/16W Metal Oxide	R AA	AA
R240	VRS-CY1JF331JY	330 1/16W Metal Oxide	R AA	AA
R241	VRS-CY1JF103JY	10k 1/16W Metal Oxide	R AA	AA
R242	VRS-CY1JF392JY	3.9k 1/16W Metal Oxide	R AA	AA
R243	VRS-CY1JF101JY	100 1/16W Metal Oxide	R AA	AA
R244	VRS-CY1JF221JY	220 1/16W Metal Oxide	R AA	AA
R245	VRS-CH1JF103JY	10k 1/16W Metal Oxide	R AA	AA
R246	VRS-CY1JF681JY	680 1/16W Metal Oxide	R AA	AA
R247	VRS-CY1JF000JY	0 1/16W Metal Oxide	R AA	AA
R248	VRS-CY1JF153JY	15k 1/16W Metal Oxide	R AA	AA
R251	VRS-CY1JF332JY	3.3k 1/16W Metal Oxide	R AA	AA
R255	VRS-CY1JF470JY	47 1/16W Metal Oxide	R AA	AA
R256	VRS-CY1JF470JY	47 1/16W Metal Oxide	R AA	AA
R259	VRS-CY1JF151JY	150 1/16W Metal Oxide	R AA	AA
R263	VRS-CY1JF472JY	4.7k 1/16W Metal Oxide	R AA	AA
R264	VRS-CY1JF101JY	100 1/16W Metal Oxide	R AA	AA
R265	VRS-CY1JF101JY	100 1/16W Metal Oxide	R AA	AA
R266	VRS-CY1JF000JY	0 1/16W Metal Oxide	R AA	AA
R267	VRS-CY1JF000JY	0 1/16W Metal Oxide	R AA	AA
R268	VRS-CY1JF000JY	0 1/16W Metal Oxide	R AA	AA
R269	VRS-CY1JF000JY	0 1/16W Metal Oxide	R AA	AA
R270	VRS-CY1JF514JY	510k 1/16W Metal Oxide	R AA	AA
R271	VRS-CY1JF102JY	1k 1/16W Metal Oxide	R AA	AA
R272	VRS-CH1JF000JY	0 1/16W Metal Oxide	R AA	AA
R273	VRS-CH1JF000JY	0 1/16W Metal Oxide	R AA	AA
R274	VRS-CY1JF000JY	0 1/16W Metal Oxide	R AA	AA
R275	VRS-TW2HF2R7JY	2.7 1/2W Metal Oxide	R	
R276	VRS-TW2HF2R7JY	2.7 1/2W Metal Oxide	R	
R281	VRS-CY1JF000JY	0 1/16W Metal Oxide	R AA	AA
R282	VRS-CY1JF000JY	0 1/16W Metal Oxide	R AA	AA
R283	VRS-CY1JF000JY	0 1/16W Metal Oxide	R AA	AA
R284	VRS-CY1JF103JY	10k 1/16W Metal Oxide	R AA	AA
R285	VRS-CY1JF103JY	10k 1/16W Metal Oxide	R AA	AA
R288	VRS-CY1JF000JY	0 1/16W Metal Oxide	R AA	AA
R289	VRS-CY1JF103JY	10k 1/16W Metal Oxide	R AA	AA
R290	VRS-CY1JF181JY	180 1/16W Metal Oxide	R AA	AA
R291	VRS-CY1JF332JY	3.3k 1/16W Metal Oxide	R AA	AA
R292	VRS-CY1JF332JY	3.3k 1/16W Metal Oxide	R AA	AA
MISCELLANEOUS PARTS				
P202	QCNCMA250WJZZ	Connector	R AE	AE
	LHLDW1072GEZZ	Holder	R AA	AA
SLD201	PSLDMA898WJFW	Shield	R	
DUNTKD628FM01 DIGITAL Unit				
INTEGRATED CIRCUITS				
IC4001	RH-iXB680WJZZQ	ST15516AUCL	R	
IC4002	VHISN1G08DC-1Y	SN74AHC1G08HDC	R AD	AD
IC4003	VHIBU4228G+-1Y	BU4228G-TR	R	

REF No.	PARTS	DESCRIPTION	* SN CODE	EX CODE
IC4005	VHISN1GU04C-1Y	SN74AHC1GU04DC	R AD	AD
IC4201	RH-IXB076WJZZQ	K4S641632H-UC7	R BB	BB
IC4202	RH-IXB076WJZZQ	K4S641632H-UC7	R BB	BB
IC4203	RH-IXB681WJZZQ	M29W160ET70N6E	R	
IC4204	VHIBR24L64F-1Y	BR24L64F-WE2	R AK	AK
IC4401	VHITCLX245-2Y	TC74LCX245FS	R	
IC4402	VHILVC573AP-1Y	SN74LVC573APWR	R AF	AF
IC4403	VHISN1G08DC-1Y	SN74AHC1G08HDC	R AD	AD
IC4404	VHILCX244MT-1Y	74LCX244 AE	R	
IC4405	VHILVC573AP-1Y	SN74LVC573APWR	R AF	AF
IC4406	VHISN1G32DC-1Y	SN74AHC1G32HDC	R AD	AD
IC4407	VHISN1G32DC-1Y	SN74AHC1G32HDC	R AD	AD
IC4408	VHISN1G02DC-1Y	SN74AHC1G02HDC	R AD	AD
IC4604	VHITSH73CPT-1Y	TSH73CPT	R	
IC4701	VHIMP1583+-1Y	MP1583DN-LF-Z	R AH	AH
IC4704	VHIPQ018ENA-1Y	PQ018ENA1ZPH	R	
TRANSISTORS				
IC4702	VSSSM6J51TU-1Y	SSM6J51TU	R	
Q4001	VS2SC3928AR-1Y	2SC3928AR	R AB	AB
Q4002	VS2SC3928AR-1Y	2SC3928AR	R AB	AB
Q4201	VS2SA1530AR-1Y	2SA1530AR	R AB	AB
Q4601	VS2SC3928AR-1Y	2SC3928AR	R AB	AB
Q4602	VS2SC3928AR-1Y	2SC3928AR	R AB	AB
Q4603	VS2SC3928AR-1Y	2SC3928AR	R AB	AB
Q4604	VS2SC3928AR-1Y	2SC3928AR	R AB	AB
Q4605	VS2SC3928AR-1Y	2SC3928AR	R AB	AB
Q4606	VS2SC3928AR-1Y	2SC3928AR	R AB	AB
Q4607	VS2SC3928AR-1Y	2SC3928AR	R AB	AB
Q4701	VSDTC144EEI-1Y	DTC144EE	R AA	AA
Q4702	VSDTC144EEI-1Y	DTC144EE	R AA	AA
Q4703	VS2SC3928AR-1Y	2SC3928AR	R AB	AB
DIODES AND LEADS				
D4701	RH-EX1234CEZZY	Zener Diode, 3.6V	R AE	AE
D4702	VHDSFPA73I/2EY	SFPA73	R AD	AD
D4703	VHDSHU119I/-1Y	HSU119	R AB	AB
Q4401	RH-TXA026WJZZY	TXA026WJ	R	
PACKAGED CIRCUITS				
X4001	RCRSC0032TAZZY	Crystal	R AG	AG
X4002	RCRUAA075WJZZY		R	
COILS				
L4601	VPD9M100J1R7NY	Peaking, 10µH	R AC	AC
L4603	VPD9M5R6J1R6NY	Peaking, 5.6µH	R AB	AB
L4604	VPD9M5R6J1R6NY	Peaking, 5.6µH	R AB	AB
L4605	VPD9M5R6J1R6NY	Peaking, 5.6µH	R AB	AB
L4701	RCILPA214WJZZY	Coil	R AG	AG
CAPACITORS				
C4001	VCEASX1HN105MY	1 50V Electrolytic	R AB	AB
C4002	VCKYCY1HB103KY	0.01 50V Ceramic	R AA	AA
C4003	VCKYCY1EF104ZY	0.1 25V Ceramic	R AA	AA
C4004	VCKYCY1EF104ZY	0.1 25V Ceramic	R AA	AA
C4005	VCKYCY1HB103KY	0.01 50V Ceramic	R AA	AA
C4006	VCCCCY1HH180JY	18p 50V Ceramic	R AA	AA
C4007	VCCCCY1HH150JY	15p 50V Ceramic	R AA	AA
C4008	VCEASX1CN106MY	10 16V Electrolytic	R AC	AC
C4009	VCKYCY1HB103KY	0.01 50V Ceramic	R AA	AA
C4010	VCKYCY1EF104ZY	0.1 25V Ceramic	R AA	AA
C4011	VCKYCY1EF104ZY	0.1 25V Ceramic	R AA	AA
C4012	VCKYCY1EF104ZY	0.1 25V Ceramic	R AA	AA
C4013	VCKYCY1HB103KY	0.01 50V Ceramic	R AA	AA
C4014	VCKYCY1EF104ZY	0.1 25V Ceramic	R AA	AA

REF No.	PARTS	DESCRIPTION	* SN CODE	EX CODE	REF No.	PARTS	DESCRIPTION	* SN CODE	EX CODE
C4015	VCKYCY1EF104ZY	0.1 25V Ceramic	R AA	AA	DUNTKD628FM01 DIGITAL Unit (Continued)				
C4016	VCKYCY1HB103KY	0.01 50V Ceramic	R AA	AA					
C4018	VCKYCY1EF104ZY	0.1 25V Ceramic	R AA	AA	C4635	VCEASX1CN106MY	10 16V Electrolytic	R AC	AC
C4019	VCEASX1CN106MY	10 16V Electrolytic	R AC	AC	C4636	VCKYCY1HB104KY	0.1 50V Ceramic	R AA	AA
C4020	VCKYCY1EF104ZY	0.1 25V Ceramic	R AA	AA	C4637	VCKYCY1HB104KY	0.1 50V Ceramic	R AA	AA
C4021	VCKYCY1EF104ZY	0.1 25V Ceramic	R AA	AA	C4638	VCKYCY1HB104KY	0.1 50V Ceramic	R AA	AA
C4022	VCKYCY1EF104ZY	0.1 25V Ceramic	R AA	AA	C4639	VCEASX1CN106MY	10 16V Electrolytic	R AC	AC
C4023	VCKYCY1EF104ZY	0.1 25V Ceramic	R AA	AA	C4640	VCEASX1CN106MY	10 16V Electrolytic	R AC	AC
C4024	VCKYCY1EF104ZY	0.1 25V Ceramic	R AA	AA	C4641	VCEASX1CN106MY	10 16V Electrolytic	R AC	AC
C4025	VCKYCY1EF104ZY	0.1 25V Ceramic	R AA	AA	C4701	RC-KZA070WJZZY	22 6.3V Ceramic	R AD	AD
C4026	VCKYCY1EF104ZY	0.1 25V Ceramic	R AA	AA	C4702	VCKYTV1CB105KY	1 16V Ceramic	R	
C4027	VCKYCY1EF104ZY	0.1 25V Ceramic	R AA	AA	C4703	VCKYCY1EF104ZY	0.1 25V Ceramic	R AA	AA
C4028	VCKYCY1EF104ZY	0.1 25V Ceramic	R AA	AA	C4705	VCKYCY1HB152KY	1500p 50V Ceramic	R AA	AA
C4029	VCKYCY1HB103KY	0.01 50V Ceramic	R AA	AA	C4706	VCKYCY1EF104ZY	0.1 25V Ceramic	R AA	AA
C4030	VCEASX0JN476MY	47 6.3V Electrolytic	R AC	AC	C4707	VCAAPD1AJ686MY	68 10V Electrolytic	R AE	AE
C4031	VCKYCY1EF104ZY	0.1 25V Ceramic	R AA	AA	C4708	VCKYCY1EF104ZY	0.1 25V Ceramic	R AA	AA
C4032	VCEASX1CN106MY	10 16V Electrolytic	R AC	AC	C4709	RC-KZA073WJZZY	10 16V Ceramic	R	
C4033	VCKYCY1EF104ZY	0.1 25V Ceramic	R AA	AA	C4710	VCEASX1CN476MY	47 16V Electrolytic	R AC	AC
C4201	VCEASX1CN106MY	10 16V Electrolytic	R AC	AC	C4711	RC-KZA073WJZZY	10 16V Ceramic	R	
C4202	VCKYCY1EF104ZY	0.1 25V Ceramic	R AA	AA	C4713	VCKYCY1EF104ZY	0.1 25V Ceramic	R AA	AA
C4203	VCEASX1CN106MY	10 16V Electrolytic	R AC	AC	C4714	VCKYCY1EF104ZY	0.1 25V Ceramic	R AA	AA
C4204	VCKYCY1HB103KY	0.01 50V Ceramic	R AA	AA	C4715	VCEASX0JN476MY	47 6.3V Electrolytic	R AC	AC
C4205	VCKYCY1EF104ZY	0.1 25V Ceramic	R AA	AA	C4716	VCKYCY1EF104ZY	0.1 25V Ceramic	R AA	AA
C4206	VCKYCY1HB103KY	0.01 50V Ceramic	R AA	AA	C4717	VCEASX0JN226MY	22 6.3V Electrolytic	R AB	AB
C4207	VCKYCY1EF104ZY	0.1 25V Ceramic	R AA	AA	RESISTORS				
C4209	VCKYCY1EF104ZY	0.1 25V Ceramic	R AA	AA	R4001	VRS-CY1JF000JY	0 1/16W Metal Oxide	R AA	AA
C4401	VCEASX1CN106MY	10 16V Electrolytic	R AC	AC	R4002	VRS-CY1JF201FY	200 1/16W Metal Oxide	R AA	AA
C4402	VCKYCY1EF104ZY	0.1 25V Ceramic	R AA	AA	R4003	VRS-CY1JF103JY	10k 1/16W Metal Oxide	R AA	AA
C4403	VCKYCY1EF104ZY	0.1 25V Ceramic	R AA	AA	R4004	VRS-CY1JF000JY	0 1/16W Metal Oxide	R AA	AA
C4404	VCKYCY1EF104ZY	0.1 25V Ceramic	R AA	AA	R4005	VRS-CY1JF103JY	10k 1/16W Metal Oxide	R AA	AA
C4405	VCKYCY1EF104ZY	0.1 25V Ceramic	R AA	AA	R4006	VRS-CY1JF103JY	10k 1/16W Metal Oxide	R AA	AA
C4406	VCKYCY1EF104ZY	0.1 25V Ceramic	R AA	AA	R4007	VRS-CY1JF103JY	10k 1/16W Metal Oxide	R AA	AA
C4407	VCKYCY1EF104ZY	0.1 25V Ceramic	R AA	AA	R4008	VRS-CY1JF103JY	10k 1/16W Metal Oxide	R AA	AA
C4408	VCKYCY1EF104ZY	0.1 25V Ceramic	R AA	AA	R4009	VRS-CY1JF104JY	100k 1/16W Metal Oxide	R AA	AA
C4409	VCKYCY1EF104ZY	0.1 25V Ceramic	R AA	AA	R4010	VRS-CY1JF000JY	0 1/16W Metal Oxide	R AA	AA
C4411	VCKYCY1EF104ZY	0.1 25V Ceramic	R AA	AA	R4011	VRS-CY1JF103JY	10k 1/16W Metal Oxide	R AA	AA
C4412	VCEASX1CN106MY	10 16V Electrolytic	R AC	AC	R4012	VRS-CY1JF103JY	10k 1/16W Metal Oxide	R AA	AA
C4420	VCAAPD1AJ686MY	68 10V Electrolytic	R AE	AE	R4013	VRS-CY1JF103JY	10k 1/16W Metal Oxide	R AA	AA
C4606	VCEASX1CN106MY	10 16V Electrolytic	R AC	AC	R4015	VRS-CY1JF103JY	10k 1/16W Metal Oxide	R AA	AA
C4607	VCCCCY1HH470JY	47p 50V Ceramic	R AA	AA	R4016	VRS-CY1JF101JY	100 1/16W Metal Oxide	R AA	AA
C4608	VCCCCY1HH100DY	10p 50V Ceramic	R AA	AA	R4017	VRS-CY1JF103JY	10k 1/16W Metal Oxide	R AA	AA
C4610	VCCCCY1HH470JY	47p 50V Ceramic	R AA	AA	R4018	VRS-CY1JF000JY	0 1/16W Metal Oxide	R AA	AA
C4611	VCCCCY1HH330JY	33p 50V Ceramic	R AA	AA	R4019	VRS-CY1JF000JY	0 1/16W Metal Oxide	R AA	AA
C4612	VCCCCY1HH330JY	33p 50V Ceramic	R AA	AA	R4020	VRS-CY1JF472JY	4.7k 1/16W Metal Oxide	R AA	AA
C4613	VCCCCY1HH330JY	33p 50V Ceramic	R AA	AA	R4021	VRS-CY1JF222JY	2.2k 1/16W Metal Oxide	R AA	AA
C4614	VCCCCY1HH6R0DY	6.0p 50V Ceramic	R AA	AA	R4024	VRS-CY1JF000JY	0 1/16W Metal Oxide	R AA	AA
C4615	VCCCCY1HH6R0DY	6.0p 50V Ceramic	R AA	AA	R4025	VRS-CY1JF000JY	0 1/16W Metal Oxide	R AA	AA
C4616	VCCCCY1HH6R0DY	6.0p 50V Ceramic	R AA	AA	R4026	VRS-CY1JF103JY	10k 1/16W Metal Oxide	R AA	AA
C4617	VCCCCY1HH820JY	82p 50V Ceramic	R AA	AA	R4027	VRS-CH1JF000JY	0 1/16W Metal Oxide	R AA	AA
C4618	VCCCCY1HH820JY	82p 50V Ceramic	R AA	AA	R4028	VRS-CY1JF103JY	10k 1/16W Metal Oxide	R AA	AA
C4619	VCCCCY1HH820JY	82p 50V Ceramic	R AA	AA	R4029	VRS-CY1JF330JY	33 1/16W Metal Oxide	R AA	AA
C4621	VCKYCY1EF104ZY	0.1 25V Ceramic	R AA	AA	R4030	VRS-CH1JF470JY	47 1/16W Metal Oxide	R AA	AA
C4622	RC-KZA073WJZZY	10 16V Ceramic	R		R4031	VRS-CH1JF470JY	47 1/16W Metal Oxide	R AA	AA
C4623	VCEASX1CN106MY	10 16V Electrolytic	R AC	AC	R4032	VRS-CY1JF103JY	10k 1/16W Metal Oxide	R AA	AA
C4624	VCKYCY1EF104ZY	0.1 25V Ceramic	R AA	AA	R4035	VRS-CY1JF103JY	10k 1/16W Metal Oxide	R AA	AA
C4625	VCEASX1CN106MY	10 16V Electrolytic	R AC	AC	R4036	VRS-CH1JF103JY	10k 1/16W Metal Oxide	R AA	AA
C4626	VCKYCY1EF104ZY	0.1 25V Ceramic	R AA	AA	R4037	VRS-CY1JF103JY	10k 1/16W Metal Oxide	R AA	AA
C4627	VCKYCY1HB332KY	3300p 50V Ceramic	R AA	AA	R4038	VRS-CY1JF101JY	100 1/16W Metal Oxide	R AA	AA
C4628	VCKYCY1HB332KY	3300p 50V Ceramic	R AA	AA	R4039	VRS-CY1JF101JY	100 1/16W Metal Oxide	R AA	AA
C4629	VCKYCY1EF104ZY	0.1 25V Ceramic	R AA	AA	R4190	VRS-CY1JF101JY	100 1/16W Metal Oxide	R AA	AA
C4632	VCKYCY1HB332KY	3300p 50V Ceramic	R AA	AA	R4191	VRS-CY1JF101JY	100 1/16W Metal Oxide	R AA	AA
C4633	VCKYCY1HB332KY	3300p 50V Ceramic	R AA	AA	R4192	VRS-CY1JF101JY	100 1/16W Metal Oxide	R AA	AA
C4634	VCEASX1CN106MY	10 16V Electrolytic	R AC	AC	R4193	VRS-CY1JF101JY	100 1/16W Metal Oxide	R AA	AA

REF No.	PARTS	DESCRIPTION	* SN CODE	EX CODE
R4649	VRS-CY1JF470JY	47 1/16W Metal Oxide	R AA	AA
R4650	VRS-CY1JF470JY	47 1/16W Metal Oxide	R AA	AA
R4651	VRS-CY1JF183JY	18k 1/16W Metal Oxide	R AA	AA
R4652	VRS-CY1JF183JY	18k 1/16W Metal Oxide	R AA	AA
R4657	VRS-CY1JF101JY	100 1/16W Metal Oxide	R AA	AA
R4658	VRS-CY1JF101JY	100 1/16W Metal Oxide	R AA	AA
R4659	VRS-CY1JF331FY	330 1/16W Metal Oxide	R AA	AA
R4660	VRS-CY1JF473JY	47k 1/16W Metal Oxide	R AA	AA
R4661	VRS-CY1JF473JY	47k 1/16W Metal Oxide	R AA	AA
R4662	VRS-CY1JF271FY	270 1/16W Metal Oxide	R AA	AA
R4663	VRS-CY1JF271FY	270 1/16W Metal Oxide	R AA	AA
R4664	VRS-CY1JF271FY	270 1/16W Metal Oxide	R AA	AA
R4665	VRS-CY1JF161FY	160 1/16W Metal Oxide	R AA	AA
R4666	VRS-CY1JF103JY	10k 1/16W Metal Oxide	R AA	AA
R4667	VRS-CY1JF161FY	160 1/16W Metal Oxide	R AA	AA
R4668	VRS-CY1JF103JY	10k 1/16W Metal Oxide	R AA	AA
R4669	VRS-CY1JF161FY	160 1/16W Metal Oxide	R AA	AA
R4670	VRS-CY1JF103JY	10k 1/16W Metal Oxide	R AA	AA
R4672	VRS-CY1JF103JY	10k 1/16W Metal Oxide	R AA	AA
R4673	VRS-CY1JF103JY	10k 1/16W Metal Oxide	R AA	AA
R4674	VRS-CY1JF000JY	0 1/16W Metal Oxide	R AA	AA
R4675	VRS-CY1JF470JY	47 1/16W Metal Oxide	R AA	AA
R4701	VRS-CY1JF474FY	470k 1/16W Metal Oxide	R AA	AA
R4702	VRS-CY1JF273FY	27k 1/16W Metal Oxide	R AA	AA
R4703	VRS-CY1JF153FY	15k 1/16W Metal Oxide	R AA	AA
R4704	VRS-CY1JF582JY	5.6k 1/16W Metal Oxide	R AA	AA
R4705	VRS-CY1JF103JY	10k 1/16W Metal Oxide	R AA	AA
R4706	VRS-CY1JF103JY	10k 1/16W Metal Oxide	R AA	AA
R4707	VRS-CY1JF103JY	10k 1/16W Metal Oxide	R AA	AA
R4708	VRS-CY1JF332JY	3.3k 1/16W Metal Oxide	R AA	AA
R4709	VRS-TX2HF000JY	0 1/2W Metal Oxide	R AB	AB
R4710	VRS-CY1JF101JY	100 1/16W Metal Oxide	R AA	AA
R4711	VRS-TX2HF000JY	0 1/2W Metal Oxide	R AB	AB
R4712	VRS-CY1JF103JY	10k 1/16W Metal Oxide	R AA	AA
R4713	VRS-TX2HF1R0JY	1 1/2W Metal Oxide	R AB	AB
R4715	VRS-TX2HF000JY	0 1/2W Metal Oxide	R AB	AB
R4716	VRS-TX2HF000JY	0 1/2W Metal Oxide	R AB	AB
R4717	VRS-CY1JF101JY	100 1/16W Metal Oxide	R AA	AA
MISCELLANEOUS PARTS				
CN4190	QPLGNA524WJZZ	Plug	R	
FB4001	RBLN-A215WJZZY	Ferrite Beads	R AB	AB
FB4002	RBLN-A215WJZZY	Ferrite Beads	R AB	AB
FB4003	RBLN-A215WJZZY	Ferrite Beads	R AB	AB
FB4004	RBLN-A215WJZZY	Ferrite Beads	R AB	AB
FB4005	RBLN-A215WJZZY	Ferrite Beads	R AB	AB
FB4006	RBLN-A215WJZZY	Ferrite Beads	R AB	AB
FB4007	RBLN-A215WJZZY	Ferrite Beads	R AB	AB
FB4008	RBLN-A303WJZZY	Ferrite Beads	R AB	AB
FB4009	RBLN-A303WJZZY	Ferrite Beads	R AB	AB
FB4201	RBLN-A215WJZZY	Ferrite Beads	R AB	AB
FB4202	RBLN-A215WJZZY	Ferrite Beads	R AB	AB
FB4401	RBLN-A215WJZZY	Ferrite Beads	R AB	AB
FB4402	RBLN-A215WJZZY	Ferrite Beads	R AB	AB
FB4601	RBLN-A215WJZZY	Ferrite Beads	R AB	AB
FB4602	RBLN-A215WJZZY	Ferrite Beads	R AB	AB
FB4603	RBLN-A215WJZZY	Ferrite Beads	R AB	AB
FB4701	RBLN-0250TAZZY	Ferrite Beads	R AC	AC
LUG4601	QLUGHA009WJZZY	Lug	R AC	AC
LUG4602	QLUGHA006WJZZY	Lug	R AC	AC
LUG4603	QLUGHA006WJZZY	Lug	R AC	AC
LUG4604	QLUGHA009WJZZY	Lug	R AC	AC
P4001	QPLGN0463TAZZY	Plug	R AC	AC
P4003	QPLGN0463TAZZY	Plug	R AC	AC

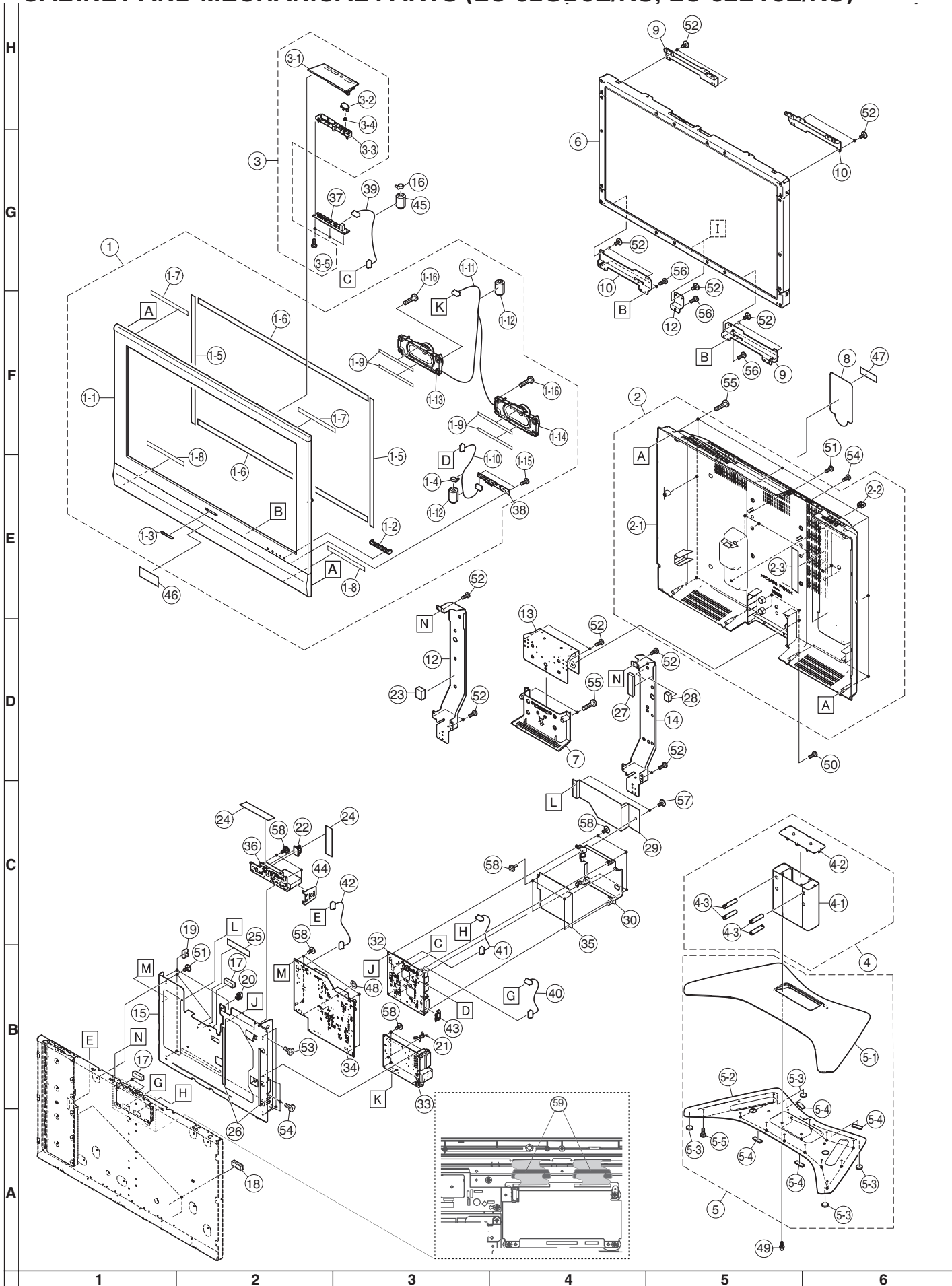
REF No.	PARTS	DESCRIPTION	* SN CODE	EX CODE
SC4601	QCNCWA202WJZZY	Connector	R AK	AK
SC4602	QSOCNA003WJZZY	Socket	R AM	AM
	LCHSMA283WJZZ	Chassis	R	
	LHLDW1033CE00	Holder, LB	R AA	AA
	LHLDW1123GEZZ	Wire Holder, CONTROL	R AB	AB
	LHLDW1205CEZZ	Wire Holder, CHASSIS TRAY	R AC	AC
	LHLDWA055WJKZ	Wire Holder, CHASSIS TRAY	R AC	AC
	LHLDWA137WJZZ	Wire Holder, LED	R	
	PMLT-A255WJZZ	Absorber	R AD	AD
	PMLT-A314WJZZ	Absorber	R	
	PSLDMA943WJFW	DIGTAL Shield	R	
	QCNCMA199WJSA	Connector	R	
	QCNCW-E232WJQZ	Connecting Cord (KM) (LC-32GD9E)	R	
	QCNCW-E609WJQZ	Connecting Cord (SH)	R	
	QCNCW-E235WJQZ	Connecting Cord (LA) (LC-32GD9E)	R	
	QCNCW-E399WJQZ	Connecting Cord (LB) (LC-32GD9E)	R	
	QCNCW-E412WJQZ	Connecting Cord (KM) (LC-37GD9E)	R	
	QCNCW-E415WJQZ	Connecting Cord (LA) (LC-37GD9E)	R	
	QCNCW-E419WJQZ	Connecting Cord (LB) (LC-37GD9E)	R	
	QEARPA212WJFW	Ground-Part	R	
	RCORFA023WJZZ	Core, for LB Wire	R AK	AK
	XBPS830P06000	Screw, for HDMI	R AA	AA
	XBPSN20P14JS0	Screw, x4 for Card Slot	R	
	XEBS930P08000	Screw, x3	R AA	AA
	XJPS730P08WS0	Screw, x14 for PWB,SLD	R AA	AA
	XNESN20-16000	Nut, x4 for Card Slot Nut	R AA	AA

CABINET AND MECHANICAL PARTS LISTING
(LC-32GD8E/RU, LC-32BT8E/RU)

REF No.	PARTS	DESCRIPTION	*	SN CODE	EX CODE
1	CCABAB441WJ01	Cabinet A Ass'y (LC32-GD8E/RU)	S	--	--
1	CCABAB441WJ02	Cabinet A Ass'y (LC32-BT8E/RU)	S	--	--
1_1	Not Available	Cabinet A	-	--	--
1_2	GCOVAB478WJSA	R/C LED Cover	S	--	--
1_3	HBDBGBA056WJSA	Badge, "SHARP"	S	--	--
1_4	LHLDW1033PEZZ	Wire Holder, x1	R	AA	AA
1_5	PSPAHA607WJZZ	Mask Spacer, x2	S	--	--
1_6	PSPAHA608WJZZ	Mask Spacer, x2	S	--	--
1_7	PSPAHA786WJZZ	Spacer, x2	S	--	--
1_8	PSPAHA790WJZZ	Spacer, x2	S	--	--
1_9	PSPAHA790WJZZ	Spacer, x4	S	--	--
1_10	QCENW-E233WJQZ	Connecting Cord	S	--	--
1_11	QCENW-E800WJQZ	Connecting Cord	S	--	--
1_12	RCORF0103CEZZ	Ferrite Core, x2	R	AK	AK
1_13	RSP-ZA184WJN1	Speaker, (L)	S	--	--
1_14	RSP-ZA184WJN2	Speaker, (R)	S	--	--
1_15	XEBS930P08000	Screw, x2	R	AA	AA
1_16	LX-HZA003WJFN	Screw, x2	R	AC	AC
2	CCABBA861WJ01	Cabinet B Ass'y	S	AW	BK
2_1	Not Available	Cabinet B	-	--	--
2_2	LHLDWA055WJKZ	Wire Holder, x1	R	AC	AC
3	CCOVAB480WJ01	Top Cover Ass'y	S	--	--
3_1	Not Available	Top Cover	-	--	--
3_2	JBTN-A524WJKA	Power Button	S	--	--
3_3	JBTN-A525WJKA	Operation Button	S	--	--
3_4	MSPRCA068WJFW	Spring, for Power Button	S	--	--
3_5	XEBS930P08000	Screw, x2	R	AA	AA
4	CDAI-A290WJ01	Stand Support Ass'y (LC32-GD8E/RU)	S	--	--
4	CDAI-A290WJ03	Stand Support Ass'y (LC32-BT8E/RU)	S	--	--
4_1	Not Available	Stand Support	-	--	--
4_2	GDAI-A290WJSA	Support Cover (LC32-GD)	S	--	--
4_2	GDAI-A290WJSC	Support Cover (LC32-BT)	S	--	--
4_3	HDECQA600WJKA	Decoration Cover, x4	S	--	--
5	CDAI-A287WJ01	Stand Base Ass'y (LC32-GD8E/RU)	S	--	--
5	CDAI-A287WJ05	Stand Base Ass'y (LC32-BT8E/RU)	S	--	--
5_1	Not Available	Base Cover	-	--	--
5_2	LANGKA748WJZZ	Base Angle	S	--	--
5_3	PSPAZA949WJZZ	Leg Cushion A, x4	S	--	--
5_4	PSPAZA950WJZZ	Leg Cushion B, x4	S	--	--
5_5	XEBS740P10000	Screw, x10	S	--	--
6	R1LK315T3LF15	32" LCD Panel Module	R		
7	GCOVAB488WJKA	Stand Cover	S	--	--
8	HINDPB760WJSA	Model Label (LC32-GD8EE/EK/EF)	S	--	--
8	HINDPB761WJSA	Model Label (LC32-GD8EI)	S	--	--
8	HINDPB762WJSA	Model Label (LC32-GD8RU)	S	--	--
8	HINDPB791WJSA	Model Label (LC32-BT8EE/EK/EF)	S	--	--
8	HINDPB792WJSA	Model Label (LC32-BT8EI)	S	--	--
8	HINDPB793WJSA	Model Label (LC32-BT8RU)	S	--	--
9	LANGKA638WJFW	LCD Angle-A, x2	S	--	--
10	LANGKA639WJFW	LCD Angle-B, x2	S	--	--
11	LANGKA672WJFW	LCD Angle-C, x1	S	--	--
12	LANGTA263WJFW	Center Angle (L)	S	--	--
13	LANGTA266WJFW	Stand Angle	S	--	--
14	LANGTA267WJFW	Center Angle (R)	S	--	--
15	LCHSMA324WJZZ	Chassis Tray	R	--	--
16	LHLDW1033CE00	Wire Holder, x1	R	AA	AA
17	LHLDW1123GEZZ	Wire Holder, x1	R	AB	AB
18	LHLDW1173CEZZ	Wire Holder, x2	R	AD	AD
19	LHLDW1205CEZZ	Wire Holder, x2	R	AC	AC
20	LHLDWA055WJKZ	Wire Holder, x1	R	AC	AC
21	LHLDWA137WJZZ	Wire Holder, x2	R	AB	AB

REF No.	PARTS	DESCRIPTION	*	SN CODE	EX CODE
22	LHLDW1072GEZZ	Wire Holder, x1	R	AA	AA
23	PCUSGA009WJKZ	Cushion Spacer, x1	S	--	--
24	PFLT-A004WJZZ	Felt Sheet, x4	R	AE	AE
25	PMLT-A255WJZZ	Spacer, x1	R	AD	AD
26	PMLT-A315WJZZ	Spacer, x2	R	AP	AP
27	PSLDMA584WJZZ	Shield, x1	R	AE	AE
28	PSLDMA770WJZZ	Shield, x1	S	--	--
29	PSLDMA877WJFW	Control PWB Shield, x1	S	--	--
30	PSLDMA943WJFW	Digital PWB Shield, x1	S	--	--
31	PSPAHA902WJZZ	Spacer, x2	S	--	--
32	DUNTKD890FM06	Main Unit	-	--	--
33	DUNTKD604FM10	AV Unit	-	--	--
34	DUNTKD605FM01	Power Unit	-	--	--
35	DUNTKD628FM01	Digital Unit	-	--	--
36	CKITKD609FM01	DIGITAL TUNER Unit	S	AY	BN
37	DUNTKD606FMV0	Operation Unit	-	--	--
38	DUNTKD607FMV0	R/C, LED Unit	-	--	--
39	QCENW-E232WJQZ	Connecting Cord	R	AG	AG
40	QCENW-E234WJQZ	Connecting Cord	R	AH	AH
41	QCENW-E237WJPZ	Connecting Cord	S	--	--
42	QCENW-E799WJQZ	Connecting Cord	R		
43	QEARPA212WJFW	Ground Part	R	AE	AE
44	QEARZA096WJFW	Ground Part	R		
45	RCORFA023WJZZ	Ferrite Core, x1	R	AK	AK
46	TLABZB122WJZZ	POP Label	S	--	--
47	Not Available	Serial No Label	-	--	--
48	LX-WZA042WJZZ	Washer, x1	S	--	--
49	LX-BZA146WJF7	Screw, x4	S	--	--
50	LX-BZA147WJF7	Screw, x4	S	--	--
51	XBBS930P06000	Screw, x10	R	AA	AA
52	XBPS730P06WS0	Screw, x17	R	AA	AA
53	XBPS830P06000	Screw, x1	R	AA	AA
54	XEBS930P08000	Screw, x4	S	--	--
55	XEBS940P16000	Screw, x11	R	AB	AB
56	XEBSN40P10000	Screw, x5	R	AB	AB
57	XJPS730P04WS0	Screw, x2	S	--	--
58	XJPS730P08WS0	Screw, x19	R	AA	AA
59	RCORFA064WJZZ	FPC Wire Ferrite Core, x2	D		

CABINET AND MECHANICAL PARTS (LC-32GD8E/RU, LC-32BT8E/RU)

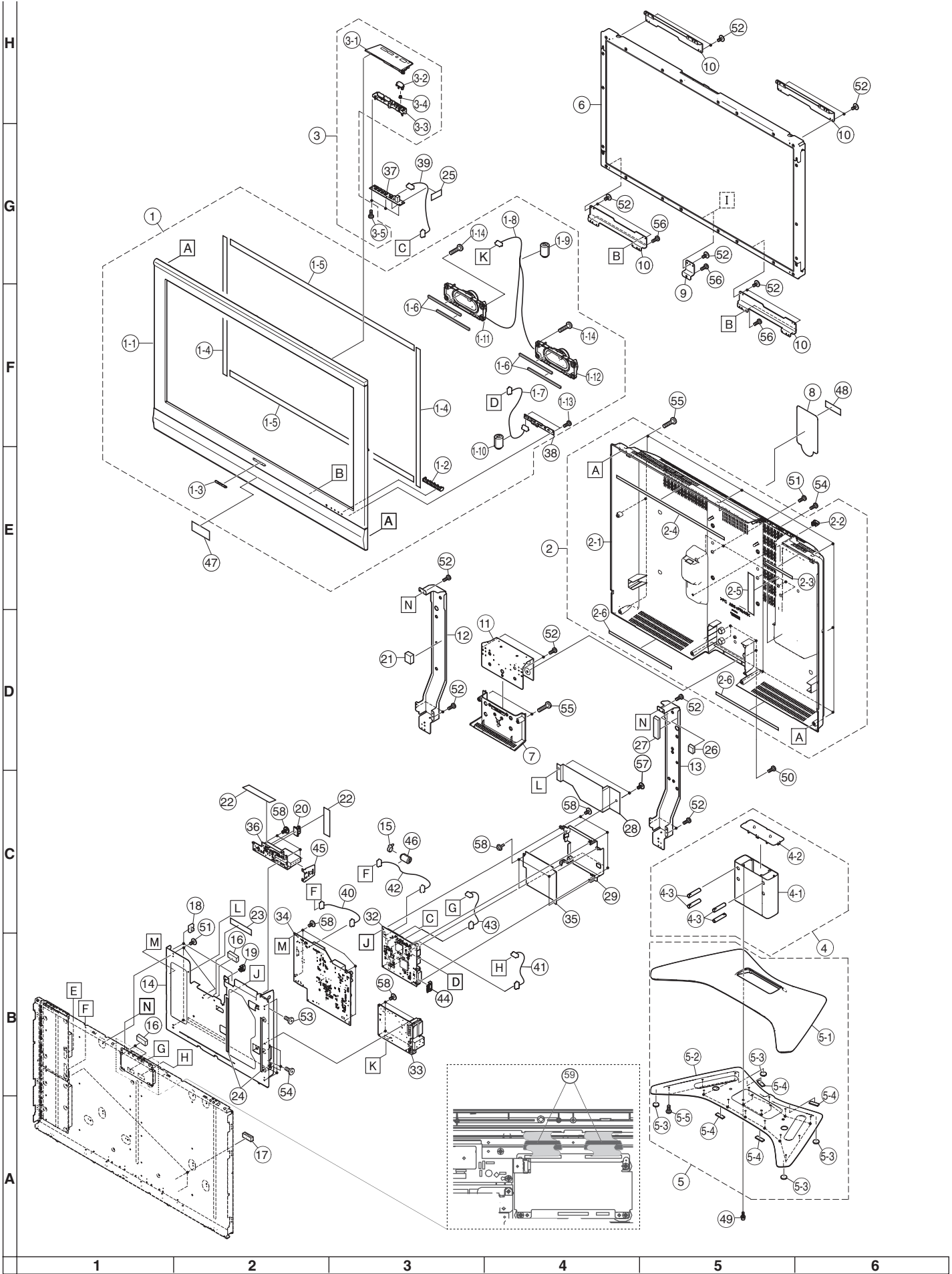


CABINET AND MECHANICAL PARTS LISTING
(LC-37GD8E/RU, LC-37BT8E/RU)

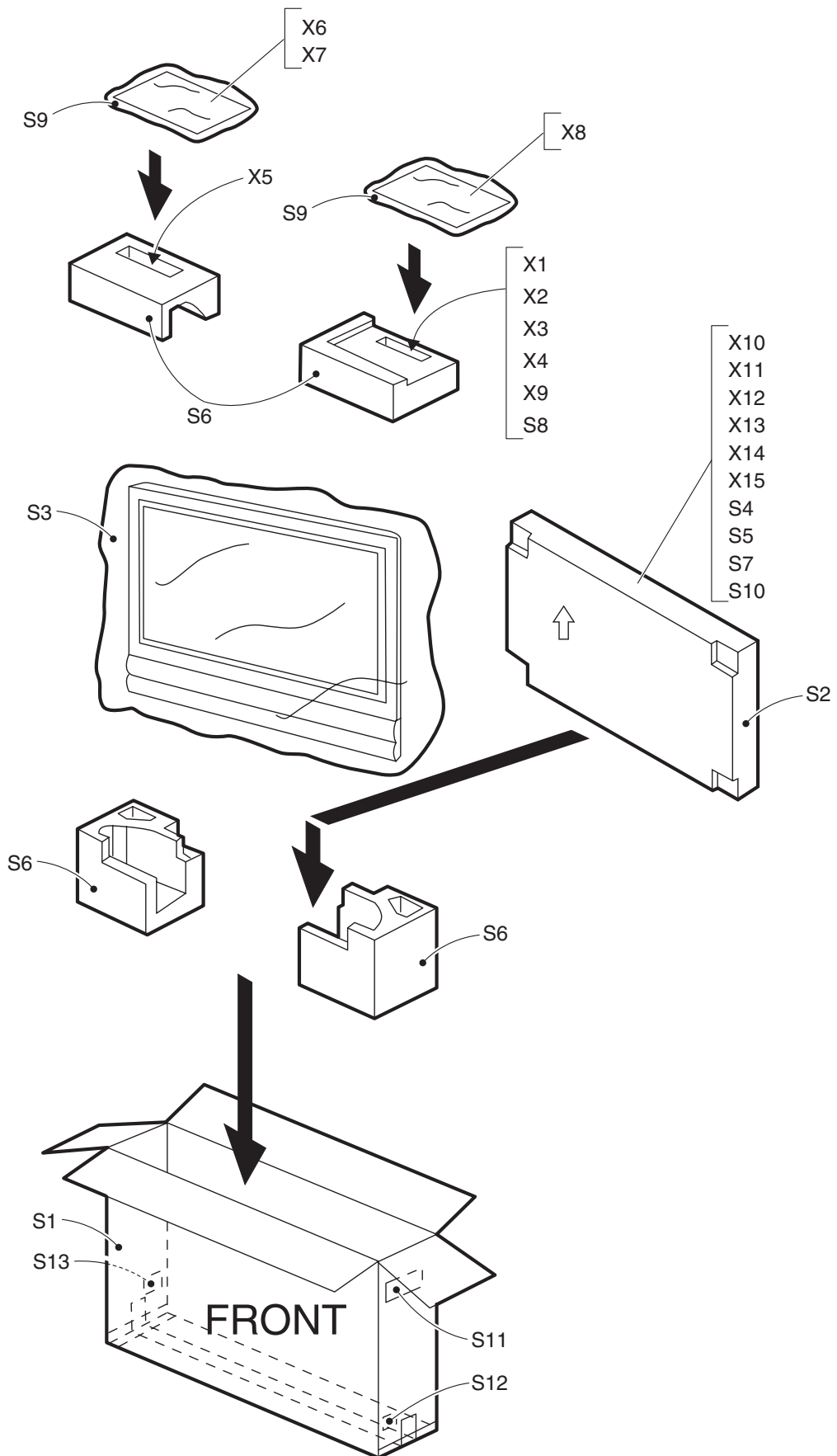
REF No.	PARTS	DESCRIPTION	*	SN CODE	EX CODE
1	CCABAB443WJ01	Cabinet A Ass'y (LC-37GD8E/RU)	S	--	--
1	CCABAB443WJ02	Cabinet A Ass'y (LC-37BT8E/RU)	S	--	--
1_1	Not Available	Cabinet A	-	-	-
1_2	GCOVAB478WJSA	R/C, LED Cover	S	--	--
1_3	HBDGBA060WJSA	Badge, "SHARP"	S	--	--
1_4	LX-HZA003WJFN	Screw, x2	S	--	--
1_5	PSPAHA858WJZZ	Mask Spacer, x2	S	--	--
1_6	PSPAHA859WJZZ	Mask Spacer, x2	S	--	--
1_7	PSPAQB211WJZZ	Spacer for Speaker, x4	S	--	--
1_8	QCNW-E413WJQZ	Connecting Cord	S	--	--
1_9	QCNW-E801WJQZ	Connecting Cord	S	--	--
1_10	RCORF0103CEZZ	Ferrite Core, x1	R	AK	AK
1_11	RCORFA023WJZZ	Ferrite Core, x2	R	AK	AK
1_12	RSP-ZA184WJN1	Speaker-L	S	--	--
1_13	RSP-ZA184WJN2	Speaker-R	S	--	--
1-14	XEBS930P08000	Screw, x2	R	AA	AA
2	CCABBA714WJ01	Cabinet B Ass'y	S	AY	BM
2_1	Not Available	Cabinet B	-	-	-
2_2	LHLDWA055WJKZ	Wire Holder, x1	R	AC	AC
2_3	PSPAHA823WJZZ	Spacer-A, x1	S	--	--
2_4	PSPAHA824WJZZ	Spacer-B, x1	S	--	--
2_5	PSPAHA834WJZZ	Spacer-C, x2	S	--	--
2_6	PSPAHA826WJZZ	Spacer-D, x2	S	--	--
3	CCOVAB480WJ01	Top Cover Ass'y	S	--	--
3_1	Not Available	Top Cover	-	-	-
3_2	JBTN-A524WJKA	Power Button	S	--	--
3_3	JBTN-A525WJKA	Operation Button	S	--	--
3_4	MSPRCA068WJFW	Spring, for Power Button	S	--	--
3_5	XEBS930P08000	Screw, x3	R	AA	AA
4	CDAI-A290WJ01	Stand Support Ass'y (LC-37GD8E/RU)	S	--	--
4	CDAI-A290WJ03	Stand Support Ass'y (LC-37BT8E/RU)	S	--	--
4_1	Not Available	Stand Support	-	-	-
4_2	GDAI-A290WJSA	Support Cover (LC-37GD8E/RU)	S	--	--
4_2	GDAI-A290WJSC	Support Cover (LC-37BT8E/RU)	S	--	--
4_3	HDECQA600WJKA	Decoration Cover, x4	S	--	--
5	CDAI-A301WJ01	Stand Base Ass'y (LC-37GD8E/RU)	S	--	--
5	CDAI-A301WJ03	Stand Base Ass'y (LC-37BT8E/RU)	S	--	--
5_1	Not Available	Stand Base Cover	-	-	-
5_2	LANGKA635WJZZ	Base Angle	S	--	--
5_3	PSPAZA949WJZZ	Leg Cushion A, x4	S	--	--
5_4	PSPAZA950WJZZ	Leg Cushion B, x4	S	--	--
5_5	XEBS740P10000	Screw, x10	S	--	--
6	R1LK370T3LZ5BX	37" LCD Panel Module	R	EZ	EZ
7	GCOVAB488WJKA	Stand Cover	S	--	--
8	HINDPB763WJSA	Model Label (LC-37GD8EE/EK/EF)	S	--	--
8	HINDPB764WJSA	Model Label (LC-37GD8EI)	S	--	--
8	HINDPB765WJSA	Model Label (LC-37GD8RU)	S	--	--
8	HINDPB794WJSA	Model Label (LC-37BT8EE/EK/EF)	S	--	--
8	HINDPB795WJSA	Model Label (LC-37BT8EI)	S	--	--
8	HINDPB796WJSA	Model Label (LC-37BT8RU)	S	--	--
9	LANGKA672WJFW	LCD Angle C, x1	S	--	--
10	LANGKA675WJFW	LCD Angle, x4	S	--	--
11	LANGTA266WJFW	Stand Angle	S	--	--
12	LANGTA268WJFW	Center Angle (L)	S	--	--
13	LANGTA269WJFW	Center Angle (R)	S	--	--
14	LCHSMA324WJZZ	Chassis Tray	R	--	--
15	LHLDW1033CE00	Wire Holder, x1	R	--	--
16	LHLDW1123GEZZ	Wire Holder, x3	R	AB	AB

REF No.	PARTS	DESCRIPTION	*	SN CODE	EX CODE
17	LHLDW1173CEZZ	Wire Holder, x3	R	AD	AD
18	LHLDW1205CEZZ	Wire Holder, x2	R	AC	AC
19	LHLDWA055WJKZ	Wire Holder, x1	R	AC	AC
20	LHLDW1072GEZZ	Wire Holder, x1	R	--	--
21	PCUSGA009WJKZ	Cushion Spacer			
22	PFLT-A004WJZZ	Felt Sheet, x2	R	AE	AE
23	PMLT-A255WJZZ	Spacer, x1	R	AD	AD
24	PMLT-A315WJZZ	Spacer, x2	R	AP	AP
25	PSHEFA018WJZZ	Sheet, x1	S	--	--
26	PSLDMA770WJZZ	Shield, x1	S	--	--
27	PSLDMA584WJZZ	Shield, x1	R	AE	AE
28	PSLDMA877WJFW	Control PWB Shield	S	--	--
29	PSLDMA943WJFW	Digital PWB Shield	S	--	--
30	PSLDMA840WJZZ	Shield, x1	R	AD	AD
31	PSPAHA902WJZZ	Spacer, x2	S	--	--
32	DUNTKD890FM07	Main Unit	-	-	-
33	DUNTKD604FM10	AV Unit	-	-	-
34	DUNTKD605FM03	Power Unit	-	-	-
35	DUNTKD628FM01	Digital Unit	-	-	-
36	CKITKD609FM01	DIGITAL TUNER Unit	S	AY	BN
37	DUNTKD606FMV0	Operation Unit	-	-	-
38	DUNTKD607FMV0	R/C LED Unit	-	-	-
39	QCNW-E412WJQZ	Connecting Cord	R	AG	AG
40	QCNW-E415WJQZ	Connecting Cord	R	AP	AP
41	QCNW-E237WJZ	Connecting Cord	S	--	--
42	QCNW-E419WJQZ	Connecting Cord	R	AM	AM
43	QCNW-E609WJQZ	Connecting Cord	R	AH	AH
44	QEARPA212WJFW	Grounding Part	R	AE	AE
45	QEARZA096WJFW	Grounding Part	S	--	--
46	RCORF0103CEZZ	Ferrite Core, x2	S	AK	AK
47	TLABZB122WJZZ	POP Label	S	--	--
48	Not Available	Serial No Label	-	-	-
49	LX-BZA146WJF7	Screw, x4	S	--	--
50	LX-BZA147WJF7	Screw, x4	S	--	--
51	XBBS930P06000	Screw, x10	R	AA	AA
52	XBPS730P06WS0	Screw, x17	R	AA	AA
53	XBPS830P06000	Screw, x1	R	AA	AA
54	XEBS930P08000	Screw, x4	S	AA	AA
55	XEBS940P16000	Screw, x11	R	AB	AB
56	XEBSN40P10000	Screw, x5	R	AB	AB
57	XJPS730P04WS0	Screw, x2	S	--	--
58	XJPS730P08WS0	Screw, x4	R	AA	AA
59	RCORFA064WJZZ	FPC Wire Ferrite Core, x2	D	--	--

CABINET AND MECHANICAL PARTS (LC-37GD8E/RU, LC-37BT8E/RU)



PACKING OF THE SET



PACKING PARTS LISTING					
REF No.	PARTS	DESCRIPTION	*	SN CODE	EX CODE
S1	SPAKCC720WJZZ	Packing Case (LC-32GD8EE/EK/EF/EI)	-	-	-
S1	SPAKCC795WJZZ	Packing Case (LC-32GD8RU)	-	-	-
S1	SPAKCC756WJZZ	Packing Case (LC-32BT8EE/EK/EF/EI)	-	-	-
S1	SPAKCC759WJZZ	Packing Case (LC-32BT8RU)	-	-	-
S1	SPAKCC721WJZZ	Packing Case (LC-37GD8EE/EK/EF/EI)	-	-	-
S1	SPAKCC796WJZZ	Packing Case (LC-37GD8RU)	-	-	-
S1	SPAKCC757WJZZ	Packing Case (LC-37BT8EE/EK/EF/EI)	-	-	-
S1	SPAKCC760WJZZ	Packing Case (LC-37BT8RU)	-	-	-
S2	SPAKFB018WJZZ	Packing Case (Stand) (LC-32GD8E/RU, LC-32BT8E/RU)	-	-	-
S2	SPAKFA916WJZZ	Packing Case (Stand) (LC-37GD8E/RU, LC-37BT8E/RU)	-	-	-
S3	SPAKPA382WJZZ	Wrapping Paper (LC-32GD8E/RU, LC-32BT8E/RU)	-	-	-
S3	SPAKPA338WJZZ	Wrapping Paper (LC-37GD8E/RU, LC-37BT8E/RU)	-	-	-
S4	SPAKPA601WJZZ	Wrapping Paper (Stand) (LC-37GD8E/RU, LC-37BT8E/RU)	-	-	-
S5	SPAKPA602WJZZ	Wrapping Paper (Stand) (LC-37GD8E/RU, LC-37BT8E/RU)	-	-	-
S4	SPAKPA684WJZZ	Wrapping Paper (Stand) (LC-32GD8E/RU, LC-32BT8E/RU)	-	-	-
S5	SPAKPA685WJZZ	Wrapping Paper (Stand) (LC-32GD8E/RU, LC-32BT8E/RU)	-	-	-
S6	SPAKXA919WJZZ	Buffer Material (LC-32GD8E/RU, LC-32BT8E/RU)	-	-	-
S6	SPAKXA920WJZZ	Buffer Material (LC-37GD8E/RU, LC-37BT8E/RU)	-	-	-
S7	SPAKFB019WJZZ	Buffer Material (Stand) (LC-32GD8E/RU)	-	-	-
S7	SPAKFB027WJZZ	Buffer Material (Stand) (LC-32BT8E/RU)	-	-	-
S7	SPAKFB043WJZZ	Buffer Material (Stand) (LC-37GD8E/RU)	-	-	-
S7	SPAKFB029WJZZ	Buffer Material (Stand) (LC-37BT8E/RU)	-	-	-
S8	SSAKAA009WJZZ	Polyethylene Bag	-	-	-
S9	SSAKAA010WJZZ	Polyethylene Bag, x2	-	-	-
S10	SSAKHA020WJZZ	Polyethylene Bag (Stand)	-	-	-
S11	TLABKA002WJZZ	No. Label	-	-	-
S12	TLABSA050WJZZ	Green Dot Label (LC-32/37GD8E(F), LC-32/37BT8E(F))	-	-	-

SUPPLIED ACCESSORIES PARTS LISTING					
REF No.	PARTS	DESCRIPTION	*	SN CODE	EX CODE
X1	LHLDW0110CESB	Cable Clamp	S	--	--
X2	LHLDWA083WJ00	Cable Tie	S	--	--
△ X3	QACCA073WJPZ	AC Cord (LC-32/37GD8EK, LC-32/37BT8EK)	S	--	--
△ X3	QACCA021WJPZ	AC Cord (LC-32/37GD8EE/EF/EI/RU, LC-32/37BT8EE/EF/EI/RU)	S	--	--
X4	QCNWGA075WJPZ	3 RCA to 15-pin D-sub Adapter	S	--	--
X5	RRMCGA472WJSA	Remote Control Unit (LC-32/37GD8E/RU)	S	--	--
X5	RRMCGA490WJSA	Remote Control Unit (LC-32/37BT8E/RU)	S	--	--
X6	TGAN-A077WJZZ	Guarantee card (LC-32/37GD8RU, LC-32/37BT8RU)	S	--	--
X6	TGAN-A342WJZZ	Guarantee card (LC-32/37GD8EK, LC-32/37BT8EK)	S	--	--
X6	TGAN-A512WJZZ	Guarantee card (LC-32/37GD8EK, LC-32/37BT8EK)	S	--	--
X7	TINS-C483WJZZ	Operation Manual (LC-32/37GD8EE/EK/EF/EI, LC-32/37BT8EE/EK/EF/EI)	S	AK	AW
X7	TINS-C484WJZZ	Operation Manual (LC-32/37GD8EE/EF, LC-32/37BT8EE/EF)	S	AK	AW
X8	TINS-C485WJZZ	Operation Manual (LC-32/37GD8EE, LC-32/37BT8EE)	S	AH	AT
X7	TINS-C486WJZZ	Operation Manual (LC-32/37GD8RU, LC-32/37BT8RU)	S	AD	AL
X9	Not Available	"AAA" size Battery, x2	-	-	-
X10	CDAI-A290WJ01	Stand Support (LC-32/37GD8E/RU)	S	--	--
X10	CDAI-A290WJ03	Stand Support (LC-32/37BT8E/RU)	S	--	--
X11	CDAI-A287WJ01	Stand Base (LC-32GD8E/RU)	S	--	--
X11	CDAI-A287WJ05	Stand Base (LC-32BT8E/RU)	S	--	--
X11	CDAI-A301WJ01	Stand Base (LC-37GD8E/RU)	S	--	--
X11	CDAI-A301WJ03	Stand Base (LC-37BT8E/RU)	S	--	--
X12	LX-BZA146WJF7	Screw, x4	S	--	--
X13	LX-BZA147WJF7	Screw, x4	S	--	--
X14	TCAUZA229WJZZ	Caution Sheet (LC-37BT8E/RU)	S	--	--
X15	UKOGLA001WJZZ	Tool For Stand	S	--	--

SERVICE JIGS (USE FOR SERVICING)					
REF No.	PARTS	DESCRIPTION	*	SN CODE	EX CODE
EXTENSION CABLES					
	QCNW-E542WJZZ	23pins Board to Board	J		
	QCNW-E543WJZZ	9pins Board to Board	J		
	QCNW-E544WJZZ	15pins Board to Board	J		
	QCNW-E546WJZZ	7pins Board to Board	J		
	QCNWKA011WJZZ	Extension Cable for Digital Unit	S	AW	BH
SOFTWARE UPGRADING JIG					
1	CKIT-0004WJV0	P55 VCTP SOFT UPDATING WITH WIRE 20 TO 3	S	BC	BT
1.1	QPWBX0004WJZZ	P55 I2C INTERFACE PWB (NOT AVAILABLE)	-	-	-
1.2	QCNWGA100WJZZ	WIRE 20 TO 3 PIN SOFT UPDATING P55	S	AM	AY
2	QCNWGA015WJPZ	Cable adaptor (DB9 male to mini-Din 9 pin male)	S	AG	AS
3	QCNWKA012WJZZ	P70 Digital Board Software Updating Jig	S	AZ	BP