

PARTS LISTING

REPLACEMENT PARTS

Replacement parts which have special safety characteristics are identified in this manual. Electrical components having such features are identified by Δ in the Replacement Parts Listing.

The use of a substitute replacement part which does not have the same safety characteristics as the factory recommended is not permitted. Replacement parts not shown in this service manual may create shock fire, or other hazards.

HOW TO ORDER REPLACEMENT PARTS

To have your order completed promptly and correctly please supply the following information.

1. MODEL NUMBER
2. REF. NO.
3. PART NO.
4. DESCRIPTION
5. CODE
6. QUANTITY

MARK #: SPARE PARTS DELIVERY SECTION

REF No.	PARTS	DESCRIPTION	* SN CODE	EX CODE
---------	-------	-------------	-----------	---------

LCD PANEL

NOTE : THE PARTS HERE SHOWN ARE SUPPLIED AS AN ASSEMBLY BUT NOT INDEPENDENTLY

	R1LK315T3LA57Y	PANEL 32" WXGA SMPLE LK315T3LA57	S	CC	CQ
--	----------------	----------------------------------	---	----	----

PRINTED WIRING BOARDS

	DSETUF261WE01	MAIN/LED UNIT	S	AV	BG
	DUNTKE266FM01	KEY UNIT	S	AB	AG
Δ	RDENCA366WJQZ	POWER SUPPLY	S	BC	BT

DUNTKF261FM01

MAIN Unit

INTEGRATED CIRCUITS

IC 0201	RH-IXC868WJZZQ	IC COFDM MSB1220 LQFP 48	S	AF	AQ
IC 0202	RH-IXC881WJZZY	IC APL1117-33VC-TRG	S	AA	AB
IC 0203	VHIBA50BOWP-1Y	IC BA50BCOWFP-E2	S	AA	AD
IC 0204	RH-IXC889WJZZY	IC LR1118L-12-AA3-A-R SOT-223	S	AA	AC
IC 0301	VHINJM3414V-1Y	IC NJM3414AV-TE1	S	AA	AD
IC 0302	VSIMH23T110-1Y	TRT IMH23T110	S	AA	AA
IC 0303	VHINJM3414V-1Y	IC NJM3414AV-TE1	S	AA	AD
IC 0304	VSIMH23T110-1Y	TRT IMH23T110	S	AA	AA
IC 0305	VHINC7SZ04P-1Y	IC NC7SZ04P5X	S	AA	AA
IC 0306	RH-IXC867WJQZQ	IC MSH9000-LF AUDIO OUT MSTAR QFN40	S	AD	AM
IC 0307	VSIMH23T110-1Y	TRT IMH23T110	S	AA	AA
IC 0308	VHINJM3414V-1Y	IC NJM3414AV-TE1	S	AA	AD
IC 0309	VHIBH3544F+-1Y	IC BH3544F-E2	S	AA	AC
IC 0701	RH-IXC913WJZZY	ICBA50DD0WHFP HPR5 ROHM	S	AB	AF
IC 0702	RH-IXC882WJZZY	IC APL1084-33GG-TRG	S	AA	AC
IC 0703	VHILV5893M+-1Y	IC LV5893M-TE-L-E	S	AA	AD
IC 0704	RH-IXC881WJZZY	IC APL1117-33VC-TRG	S	AA	AB
IC 0705	RH-IXC883WJZZY	IC AP1084K18L13 TO-263AB	S	AA	AD
IC 0706	VHINJ78L08U-1Y	IC NJM78L08UA(Te1)	S	AA	AC
IC 1001	RH-IXC869WJQZQ	IC MSD3303GF-LF-T1 VIDEO-AUDIO PROCESSOR	S	AT	BE
IC 1002	RH-IXC505WJQZQ	IC K4T51163QG-HCF7	S	AE	AM
IC 1003	RH-IXC505WJQZQ	IC K4T51163QG-HCF7	S	AE	AM
IC 1006	RH-IXD043WJZZY	RH-IXC986WJZZY AND DATA LC32DH500E_HDCP_KEY	S	AG	AT
IC 1007	RH-IXD044WJZZY	RH-IXC870WJZZY AND DATA LC32DH500E_MERGE_V1_23	S	AN	AZ
IC 1901	RH-IXD041WJZZY	VHM24C02W61EY AND DATA LC32DH500E_HDMI_1_EDID	S	AG	AR
IC 1902	RH-IXD042WJZZY	VHM24C02W61EY AND DATA LC32DH500E_HDMI_2_EDID	S	AG	AR
IC 4402	VHIAHC1G32V-1Y	IC 74AHC1G32GV_125	S	AA	AA
IC 4403	VHILCX126FT-1Y	IC TC74LCX126FT	S	AA	AB
IC 8101	RH-IXC975WJZZY	IC TPS2553DBVT-1	S	AB	AF

REF No.	PARTS	DESCRIPTION	* SN CODE	EX CODE
TRANSISTORS				
Q 0003	VS2SA1530AR-1Y	TRT SA1530A-T12-1R MITSUBISHI	S	AA
Q 0005	VS2SA1530AR-1Y	TRT SA1530A-T12-1R MITSUBISHI	S	AA
Q 0006	VS2SA1530AR-1Y	TRT SA1530A-T12-1R MITSUBISHI	S	AA
Q 0007	VS2SC3928AR-1Y	TRT 2SC3928AR-T12-1R MITSUBISHI	S	AA
Q 0008	VS2SC3928AR-1Y	TRT 2SC3928AR-T12-1R MITSUBISHI	S	AA
Q 0009	VS2SC3928AR-1Y	TRT 2SC3928AR-T12-1R MITSUBISHI	S	AA
Q 0013	VS2SC3928AR-1Y	TRT 2SC3928AR-T12-1R MITSUBISHI	S	AA
Q 0014	VS2SC3928AR-1Y	TRT 2SC3928AR-T12-1R MITSUBISHI	S	AA
Q 0016	VS2SC3928AR-1Y	TRT 2SC3928AR-T12-1R MITSUBISHI	S	AA
Q 0017	VS2SC3928AR-1Y	TRT 2SC3928AR-T12-1R MITSUBISHI	S	AA
Q 0018	VS2SC3928AR-1Y	TRT 2SC3928AR-T12-1R MITSUBISHI	S	AA
Q 0021	VSRTRO20P02-1Y	TRT RTR020P02TL	S	AA
Q 0022	VS2SC3928AR-1Y	TRT 2SC3928AR-T12-1R MITSUBISHI	S	AA
Q 0029	VS2SA1530AR-1Y	TRT SA1530A-T12-1R MITSUBISHI	S	AA
Q 0088	VS2SC3928AR-1Y	TRT 2SC3928AR-T12-1R MITSUBISHI	S	AA
Q 0114	VS2SC3928AR-1Y	TRT 2SC3928AR-T12-1R MITSUBISHI	S	AA
Q 0117	VSRRO25P03-1Y	TRT RSR025P03TL	S	AA
Q 0118	VS2SC3928AR-1Y	TRT 2SC3928AR-T12-1R MITSUBISHI	S	AA
Q 0119	VS2SC3928AR-1Y	TRT 2SC3928AR-T12-1R MITSUBISHI	S	AA
Q 0201	VSRT1N441U-1Y	TRT RT1N441U-T111-1	S	AA
Q 0202	VSRT1N441U-1Y	TRT RT1N441U-T111-1	S	AA
Q 0203	VSRT1N441U-1Y	TRT RT1N441U-T111-1	S	AA
Q 0701	VSRSS040P03-1Y	TRT RSS040P03TB	S	AA
DIODES				
D 0001	VHDSMAB33L+-1Y	DIODE SMAB33L-RTK/P	S	AA
D 0006	VHDDAN217U+-1Y	DIODE DAN217T106	S	AA
D 0007	RH-EXA523WJZZY	ZENER DIODE MAZ8056GML	S	AA
D 0008	RH-EXA675WJZZY	ZENER DIODE CDS2C16GTH ESD 16V 0402	S	AA
D 0009	RH-EXA675WJZZY	ZENER DIODE CDS2C16GTH ESD 16V 0402	S	AA
D 0010	RH-EXA675WJZZY	ZENER DIODE CDS2C16GTH ESD 16V 0402	S	AA
D 0011	RH-EXA675WJZZY	ZENER DIODE CDS2C16GTH ESD 16V 0402	S	AA
D 0012	RH-EXA675WJZZY	ZENER DIODE CDS2C16GTH ESD 16V 0402	S	AA
D 0013	RH-EXA675WJZZY	ZENER DIODE CDS2C16GTH ESD 16V 0402	S	AA
D 0014	RH-EXA675WJZZY	ZENER DIODE CDS2C16GTH ESD 16V 0402	S	AA
D 0015	RH-EXA675WJZZY	ZENER DIODE CDS2C16GTH ESD 16V 0402	S	AA
D 0016	RH-EXA675WJZZY	ZENER DIODE CDS2C16GTH ESD 16V 0402	S	AA
D 0028	VHDRB425D/-1Y	DIODE RB425DT146	S	AA
D 0029	RH-EXA523WJZZY	ZENER DIODE MAZ8056GML	S	AA
D 0034	RH-EXA523WJZZY	ZENER DIODE MAZ8056GML	S	AA
D 0035	RH-EXA523WJZZY	ZENER DIODE MAZ8056GML	S	AA
D 0036	VHDRB425D/-1Y	DIODE RB425DT146	S	AA
D 0043	RH-EXA523WJZZY	ZENER DIODE MAZ8056GML	S	AA
D 0044	RH-EXA523WJZZY	ZENER DIODE MAZ8056GML	S	AA
D 0077	RH-EXA675WJZZY	ZENER DIODE CDS2C16GTH ESD 16V 0402	S	AA
D 0078	RH-EXA675WJZZY	ZENER DIODE CDS2C16GTH ESD 16V 0402	S	AA
D 0079	RH-EXA675WJZZY	ZENER DIODE CDS2C16GTH ESD 16V 0402	S	AA
D 0080	RH-EXA675WJZZY	ZENER DIODE CDS2C16GTH ESD 16V 0402	S	AA
D 0081	RH-EXA675WJZZY	ZENER DIODE CDS2C16GTH ESD 16V 0402	S	AA
D 0082	RH-EXA675WJZZY	ZENER DIODE CDS2C16GTH ESD 16V 0402	S	AA
D 0085	RH-EXA675WJZZY	ZENER DIODE CDS2C16GTH ESD 16V 0402	S	AA
D 0117	RH-EXA523WJZZY	ZENER DIODE MAZ8056GML	S	AA
D 0701	VHDMA111G+-1Y	DIODE MA2J1110GL	S	AA
PACKAGED CIRCUITS				
X 0201	RCRSCA224WJZZY	CRYSTAL AT-41CD2-24.000MHz_20_N_NDK	S	AA
X 1001	RCRSCA225WJZZY	CRYSTAL AT-41CD2-12.000MHz_20_N_NDK	S	AA

REF No.	PARTS	DESCRIPTION	* SN CODE	EX CODE
COILS AND FILTERS				
L 0001	RBLN-0209TAZZY	BALUNE BLM21PG600SN1D	S AA	AA
L 0002	RBLN-0209TAZZY	BALUNE BLM21PG600SN1D	S AA	AA
L 0003	RBLN-0209TAZZY	BALUNE BLM21PG600SN1D	S AA	AA
L 0004	RCILPA762WJQZY	COIL NR8040T330M 33UH 20%	S AA	AB
L 0006	RBLN-0209TAZZY	BALUNE BLM21PG600SN1D	S AA	AA
L 0008	RBLN-0209TAZZY	BALUNE BLM21PG600SN1D	S AA	AA
L 0009	RBLN-0209TAZZY	BALUNE BLM21PG600SN1D	S AA	AA
L 0010	RBLN-0209TAZZY	BALUNE BLM21PG600SN1D	S AA	AA
L 0011	RBLN-0209TAZZY	BALUNE BLM21PG600SN1D	S AA	AA
L 0012	RBLN-0209TAZZY	BALUNE BLM21PG600SN1D	S AA	AA
L 0013	RBLN-0209TAZZY	BALUNE BLM21PG600SN1D	S AA	AA
L 0014	RBLN-0209TAZZY	BALUNE BLM21PG600SN1D	S AA	AA
L 0015	RBLN-0209TAZZY	BALUNE BLM21PG600SN1D	S AA	AA
L 0018	RBLN-0209TAZZY	BALUNE BLM21PG600SN1D	S AA	AA
L 0019	RBLN-0209TAZZY	BALUNE BLM21PG600SN1D	S AA	AA
L 0020	VRS-TV1JD000JY	RES 2125 0 OHM 5% 1/10W SMD	S AA	AA
L 0021	VRS-CY1JF000JY	RES 0603 0 OHM 5% 1/10W SMD	S AA	AA
L 0022	RBLN-0210TAZZY	BALUNE BLM21PG221SN1D	S AA	AA
L 0026	RCILPA899WJZZY	COIL NR6045T220M 22UH 20%	S AA	AB
L 0027	RCILPA899WJZZY	COIL NR6045T220M 22UH 20%	S AA	AB
L 0028	RCILPA899WJZZY	COIL NR6045T220M 22UH 20%	S AA	AB
L 0029	RCILPA899WJZZY	COIL NR6045T220M 22UH 20%	S AA	AB
L 0036	RBLN-0209TAZZY	BALUNE BLM21PG600SN1D	S AA	AA
L 0051	RBLN-0209TAZZY	BALUNE BLM21PG600SN1D	S AA	AA
L 0052	RBLN-0209TAZZY	BALUNE BLM21PG600SN1D	S AA	AA
L 0061	RBLN-0209TAZZY	BALUNE BLM21PG600SN1D	S AA	AA
L 0067	RBLN-0209TAZZY	BALUNE BLM21PG600SN1D	S AA	AA
L 0068	RBLN-0209TAZZY	BALUNE BLM21PG600SN1D	S AA	AA
L 0071	RBLN-0253TAZZY	FERRITE BLM18PG121SND1D	S AA	AA
L 0072	RBLN-0209TAZZY	BALUNE BLM21PG600SN1D	S AA	AA
L 0073	RBLN-0209TAZZY	BALUNE BLM21PG600SN1D	S AA	AA
L 0074	RBLN-0209TAZZY	BALUNE BLM21PG600SN1D	S AA	AA
L 0078	RBLN-0209TAZZY	BALUNE BLM21PG600SN1D	S AA	AA
L 0079	RBLN-0209TAZZY	BALUNE BLM21PG600SN1D	S AA	AA
L 0081	RBLN-0253TAZZY	FERRITE BLM18PG121SND1D	S AA	AA
L 0096	VRS-CY1JF000JY	RES 0603 0 OHM 5% 1/10W SMD	S AA	AA
L 0098	VRS-CY1JF000JY	RES 0603 0 OHM 5% 1/10W SMD	S AA	AA
L 0125	RBLN-0210TAZZY	BALUNE BLM21PG221SN1D	S AA	AA
TUNER				
TU 0201	RTUDAA019WJQZ	TUNER	S AP	BA
CAPACITORS				
C 0002	VCEAPF1CN106MY	ELEC C 10UF 20% 16V	S AA	AA
C 0003	VCKYCZ1CF104ZY	CAPACITOR 100NF 16V 20%	S AA	AA
C 0004	VCEAPF1CN106MY	ELEC C 10UF 20% 16V	S AA	AA
C 0005	VCEASK1CN227MY	ELEC C 220UF 20% 16V MVY16VC220MF80	S AA	AB
C 0006	VCKYCZ1CF104ZY	CAPACITOR 100NF 16V 20%	S AA	AA
C 0007	VCKYCZ1CF104ZY	CAPACITOR 100NF 16V 20%	S AA	AA
C 0008	VCKYCZ1CF104ZY	CAPACITOR 100NF 16V 20%	S AA	AA
C 0009	VCKYCY0JB105KY	CAPACITOR GRM39B 105K 6.3 (1608)SMD	S AA	AA
C 0010	VCKYCZ1CF104ZY	CAPACITOR 100NF 16V 20%	S AA	AA
C 0012	VCKYCZ1CF104ZY	CAPACITOR 100NF 16V 20%	S AA	AA
C 0013	VCKYCY0JB105KY	CAPACITOR GRM39B 105K 6.3 (1608)SMD	S AA	AA
C 0014	VCKYCZ1CF104ZY	CAPACITOR 100NF 16V 20%	S AA	AA
C 0015	VCKYCZ1CB223KY	CAPACITOR 22NF 16V 10%	S AA	AA
C 0016	VCKYCZ1CB682KY	CAPACITOR 6.8NF 16V 10%	S AA	AA
C 0017	VCKYCZ1CB103KY	CAPACITOR 10NF 16V 10%	S AA	AA

REF No.	PARTS	DESCRIPTION	* SN CODE	EX CODE
C 0018	VCEAPF1CN106MY	ELEC C 10UF 20% 16V	S AA	AA
C 0019	VCEASK0JN107MY	ELEC C 100UF 6,3V MVL6,3VC100MF60E1	S AA	AB
C 0020	VCEAPF1CN106MY	ELEC C 10UF 20% 16V	S AA	AA
C 0021	VCEASK0JN107MY	ELEC C 100UF 6,3V MVL6,3VC100MF60E1	S AA	AB
C 0022	VCKYCZ1CF104ZY	CAPACITOR 100NF 16V 20%	S AA	AA
C 0023	VCKYCZ1CF104ZY	CAPACITOR 100NF 16V 20%	S AA	AA
C 0024	VCCCCZ1HH200JY	C CERAM 20PF 50V 5%	S AA	AA
C 0025	VCCCCZ1HH200JY	C CERAM 20PF 50V 5%	S AA	AA
C 0026	RC-KZA115WJZZY	CERAM C 2,2UF 10V GRM188B31A225KE33D	S AA	AA
C 0027	RC-KZA115WJZZY	CERAM C 2,2UF 10V GRM188B31A225KE33D	S AA	AA
C 0028	RC-KZA115WJZZY	CERAM C 2,2UF 10V GRM188B31A225KE33D	S AA	AA
C 0029	RC-KZA115WJZZY	CERAM C 2,2UF 10V GRM188B31A225KE33D	S AA	AA
C 0030	VCAAPE1AJ127MY	ELEC C 120UF 20% 10V LOW ESR	S AA	AC
C 0034	VCKYCZ1CF104ZY	CAPACITOR 100NF 16V 20%	S AA	AA
C 0035	VCKYCZ1CB153KY	CAPACITOR 15NF 16V 10%	S AA	AA
C 0036	VCKYCZ1CF104ZY	CAPACITOR 100NF 16V 20%	S AA	AA
C 0037	VCKYCZ1CF104ZY	CAPACITOR 100NF 16V 20%	S AA	AA
C 0038	VCKYCZ1CB473KY	CAPACITOR 47NF 16V 10%	S AA	AA
C 0039	VCKYCZ1CB473KY	CAPACITOR 47NF 16V 10%	S AA	AA
C 0040	VCKYCZ1CB473KY	CAPACITOR 47NF 16V 10%	S AA	AA
C 0043	VCEASK0JN107MY	ELEC C 100UF 6,3V MVL6,3VC100MF60E1	S AA	AB
C 0046	VCKYCZ1CF104ZY	CAPACITOR 100NF 16V 20%	S AA	AA
C 0048	VCKYCZ1CF104ZY	CAPACITOR 100NF 16V 20%	S AA	AA
C 0049	VCKYCZ1CF104ZY	CAPACITOR 100NF 16V 20%	S AA	AA
C 0051	VCKYCZ1CF104ZY	CAPACITOR 100NF 16V 20%	S AA	AA
C 0052	VCKYCZ1CF104ZY	CAPACITOR 100NF 16V 20%	S AA	AA
C 0053	VCKYCZ1CF104ZY	CAPACITOR 100NF 16V 20%	S AA	AA
C 0054	VCKYCZ1CF104ZY	CAPACITOR 100NF 16V 20%	S AA	AA
C 0055	VCKYCZ1CF104ZY	CAPACITOR 100NF 16V 20%	S AA	AA
C 0057	VCKYCZ1CB153KY	CAPACITOR 15NF 16V 10%	S AA	AA
C 0058	VCKYCZ1CB153KY	CAPACITOR 15NF 16V 10%	S AA	AA
C 0059	RC-KZA237WJZZY	CERAM C EMK212BJ106KGFT 10UF 16V 10%	S AA	AA
C 0061	VCKYCZ1CF104ZY	CAPACITOR 100NF 16V 20%	S AA	AA
C 0062	VCKYCZ1CF104ZY	CAPACITOR 100NF 16V 20%	S AA	AA
C 0064	VCKYCZ1CB153KY	CAPACITOR 15NF 16V 10%	S AA	AA
C 0065	VCKYCZ1CB473KY	CAPACITOR 47NF 16V 10%	S AA	AA
C 0066	VCKYCZ1CB473KY	CAPACITOR 47NF 16V 10%	S AA	AA
C 0067	VCKYCZ1CB473KY	CAPACITOR 47NF 16V 10%	S AA	AA
C 0068	RC-KZA237WJZZY	CERAM C EMK212BJ106KGFT 10UF 16V 10%	S AA	AA
C 0070	VCKYCZ1CB473KY	CAPACITOR 47NF 16V 10%	S AA	AA
C 0071	VCKYCZ1CF104ZY	CAPACITOR 100NF 16V 20%	S AA	AA
C 0072	VCKYCZ1CF104ZY	CAPACITOR 100NF 16V 20%	S AA	AA
C 0073	VCKYCZ1CF104ZY	CAPACITOR 100NF 16V 20%	S AA	AA
C 0074	VCKYCZ1CF104ZY	CAPACITOR 100NF 16V 20%	S AA	AA
C 0080	VCKYCZ1CB473KY	CAPACITOR 47NF 16V 10%	S AA	AA
C 0081	VCKYCZ1CB473KY	CAPACITOR 47NF 16V 10%	S AA	AA
C 0082	VCKYCZ1CF104ZY	CAPACITOR 100NF 16V 20%	S AA	AA
C 0084	VCKYCZ1CB473KY	CAPACITOR 47NF 16V 10%	S AA	AA
C 0085	RC-KZA115WJZZY	CERAM C 2,2UF 10V GRM188B31A225KE33D	S AA	AA
C 0086	VCKYCZ1CF104ZY	CAPACITOR 100NF 16V 20%	S AA	AA
C 0087	VCKYCZ1CF104ZY	CAPACITOR 100NF 16V 20%	S AA	AA
C 0088	VCKYCZ1HB102KY	CAPACITOR 1NF 50V 10%	S AA	AA
C 0089	RC-KZA237WJZZY	CERAM C EMK212BJ106KGFT 10UF 16V 10%	S AA	AA
C 0090	VCKYCZ1CB153KY	CAPACITOR 15NF 16V 10%	S AA	AA
C 0091	VCEASK1CN476MY	ELEC C 47UF 16V MVL16VC47MF60E1	S AA	AA
C 0092	VCKYCZ1CF104ZY	CAPACITOR 100NF 16V 20%	S AA	AA
C 0093	VCKYCZ1CB473KY	CAPACITOR 47NF 16V 10%	S AA	AA
C 0094	VCKYCZ1CB473KY	CAPACITOR 47NF 16V 10%	S AA	AA

REF No.	PARTS	DESCRIPTION	* SN CODE	EX CODE	REF No.	PARTS	DESCRIPTION	* SN CODE	EX CODE
C 0095	VCKYCZ1CF104ZY	CAPACITOR 100NF 16V 20%	S AA	AA	C 0174	VCKYCZ1CF104ZY	CAPACITOR 100NF 16V 20%	S AA	AA
C 0096	RC-KZA237WJZZY	CERAM C EMK212BJ106KGFT 10UF 16V 10%	S AA	AA	C 0175	VCKYCZ1CF104ZY	CAPACITOR 100NF 16V 20%	S AA	AA
C 0098	RC-KZA237WJZZY	CERAM C EMK212BJ106KGFT 10UF 16V 10%	S AA	AA	C 0176	VCKYCZ1HB102KY	CAPACITOR 1NF 50V 10%	S AA	AA
C 0099	VCKYCZ1CF104ZY	CAPACITOR 100NF 16V 20%	S AA	AA	C 0177	VCKYCZ1CF104ZY	CAPACITOR 100NF 16V 20%	S AA	AA
C 0100	RC-KZA115WJZZY	CERAM C 2,2UF 10V GRM188B31A225KE33D	S AA	AA	C 0180	VCCCCZ1HH470JY	C CERAM 47PF 50V 5%	S AA	AA
C 0101	VCKYCZ1CF104ZY	CAPACITOR 100NF 16V 20%	S AA	AA	C 0181	VCKYCZ1HB472KY	CAPACITOR 4,7NF 50V 10%	S AA	AA
C 0102	VCKYCZ1CF104ZY	CAPACITOR 100NF 16V 20%	S AA	AA	C 0182	VCKYCZ1HB472KY	CAPACITOR 4,7NF 50V 10%	S AA	AA
C 0103	VCKYCZ1CF104ZY	CAPACITOR 100NF 16V 20%	S AA	AA	C 0183	VCKYCZ1CF104ZY	CAPACITOR 100NF 16V 20%	S AA	AA
C 0104	VCKYCZ1CF104ZY	CAPACITOR 100NF 16V 20%	S AA	AA	C 0184	VCKYCZ1CF104ZY	CAPACITOR 100NF 16V 20%	S AA	AA
C 0105	VCKYCZ1CB153KY	CAPACITOR 15NF 16V 10%	S AA	AA	C 0185	RC-KZA115WJZZY	CERAM C 2,2UF 10V GRM188B31A225KE33D	S AA	AA
C 0111	RC-KZA237WJZZY	CERAM C EMK212BJ106KGFT 10UF 16V 10%	S AA	AA	C 0186	RC-KZA115WJZZY	CERAM C 2,2UF 10V GRM188B31A225KE33D	S AA	AA
C 0112	VCKYCZ1CF104ZY	CAPACITOR 100NF 16V 20%	S AA	AA	C 0187	VCCCCZ1HH561JY	C CERAM 560PF 50V 5%	S AA	AA
C 0113	VCKYCY0JB105KY	CAPACITOR GRM39B 105K 6.3 (1608)SMD	S AA	AA	C 0188	VCCCCZ1HH561JY	C CERAM 560PF 50V 5%	S AA	AA
C 0114	VCKYCY1AB475KN	CAPACITOR GRM39B 475K 10 (1608)SMD	S AA	AA	C 0189	VCCCCZ1HH331JY	C CERAM 330PF 50V 5%	S AA	AA
C 0115	RC-KZA237WJZZY	CERAM C EMK212BJ106KGFT 10UF 16V 10%	S AA	AA	C 0190	VCCCCZ1HH331JY	C CERAM 330PF 50V 5%	S AA	AA
C 0116	VCKYCZ1CF104ZY	CAPACITOR 100NF 16V 20%	S AA	AA	C 0191	VCCCCZ1HH470JY	C CERAM 47PF 50V 5%	S AA	AA
C 0117	VCEASX0JN107MY	ELEC C 100UF 6,3V MVL6,3VC100MF60E1	S AA	AB	C 0192	VCCCCZ1HH470JY	C CERAM 47PF 50V 5%	S AA	AA
C 0118	VCKYCZ1CF104ZY	CAPACITOR 100NF 16V 20%	S AA	AA	C 0193	VCKYCZ1HB472KY	CAPACITOR 4,7NF 50V 10%	S AA	AA
C 0119	VCKYCZ1CF104ZY	CAPACITOR 100NF 16V 20%	S AA	AA	C 0194	VCKYCZ1HB472KY	CAPACITOR 4,7NF 50V 10%	S AA	AA
C 0120	VCKYCZ1HB102KY	CAPACITOR 1NF 50V 10%	S AA	AA	C 0195	RC-KZA237WJZZY	CERAM C EMK212BJ106KGFT 10UF 16V 10%	S AA	AA
C 0121	VCKYCZ1CF104ZY	CAPACITOR 100NF 16V 20%	S AA	AA	C 0196	RC-KZA237WJZZY	CERAM C EMK212BJ106KGFT 10UF 16V 10%	S AA	AA
C 0124	VCKYCZ1CF104ZY	CAPACITOR 100NF 16V 20%	S AA	AA	C 0197	VCAAPE0JJ107MY	ELEC C 100UF 20% 6,3V 6SVP100M	S AA	AC
C 0125	VCKYCZ1CF104ZY	CAPACITOR 100NF 16V 20%	S AA	AA	C 0198	RC-KZA237WJZZY	CERAM C EMK212BJ106KGFT 10UF 16V 10%	S AA	AA
C 0126	VCKYCZ1CF104ZY	CAPACITOR 100NF 16V 20%	S AA	AA	C 0203	VCCCCZ1HH331JY	C CERAM 330PF 50V 5%	S AA	AA
C 0127	RC-KZA115WJZZY	CERAM C 2,2UF 10V GRM188B31A225KE33D	S AA	AA	C 0204	VCCCCZ1HH331JY	C CERAM 330PF 50V 5%	S AA	AA
C 0128	VCKYCZ1CF104ZY	CAPACITOR 100NF 16V 20%	S AA	AA	C 0205	VCCCCZ1HH561JY	C CERAM 560PF 50V 5%	S AA	AA
C 0131	VCKYCZ1CF104ZY	CAPACITOR 100NF 16V 20%	S AA	AA	C 0206	VCCCCZ1HH561JY	C CERAM 560PF 50V 5%	S AA	AA
C 0133	VCKYCZ1CF104ZY	CAPACITOR 100NF 16V 20%	S AA	AA	C 0207	VCKYCZ1EF104ZY	CAPACITOR 100NF 25V 20%	S AA	AA
C 0134	VCKYCZ1CF104ZY	CAPACITOR 100NF 16V 20%	S AA	AA	C 0208	VCKYCZ1EF104ZY	CAPACITOR 100NF 25V 20%	S AA	AA
C 0136	VCKYCZ1CF104ZY	CAPACITOR 100NF 16V 20%	S AA	AA	C 0210	VCCCCZ1HH470JY	C CERAM 47PF 50V 5%	S AA	AA
C 0139	VCKYCZ1CF104ZY	CAPACITOR 100NF 16V 20%	S AA	AA	C 0211	VCKYCZ1CF104ZY	CAPACITOR 100NF 16V 20%	S AA	AA
C 0140	VCKYCZ1CF104ZY	CAPACITOR 100NF 16V 20%	S AA	AA	C 0217	VCKYTV1EB224KY	CERAM C 220NF 25V 10%	S AA	AA
C 0141	VCKYCZ1CF104ZY	CAPACITOR 100NF 16V 20%	S AA	AA	C 0218	VCKYTV1EB224KY	CERAM C 220NF 25V 10%	S AA	AA
C 0142	VCKYCZ1CF104ZY	CAPACITOR 100NF 16V 20%	S AA	AA	C 0220	VCKYCZ1EF104ZY	CAPACITOR 100NF 25V 20%	S AA	AA
C 0144	VCKYCZ1CF104ZY	CAPACITOR 100NF 16V 20%	S AA	AA	C 0221	VCKYCY1CB224KY	CAPACITOR GRM39B 224K 16 (1608)SMD	S AA	AA
C 0145	VCKYCZ1CF104ZY	CAPACITOR 100NF 16V 20%	S AA	AA	C 0223	VCKYCY1CB224KY	CAPACITOR GRM39B 224K 16 (1608)SMD	S AA	AA
C 0146	RC-KZA237WJZZY	CERAM C EMK212BJ106KGFT 10UF 16V 10%	S AA	AA	C 0224	VCKYCY1CB105KN	CAPACITOR 1uF 16V GRM188B31C105KA92D	S AA	AA
C 0147	VCKYCZ1CF104ZY	CAPACITOR 100NF 16V 20%	S AA	AA	C 0225	VCEASK1CN227MY	ELEC C 220UF 20% 16V MVY16VC220MF80	S AA	AB
C 0149	VCKYCZ1CF104ZY	CAPACITOR 100NF 16V 20%	S AA	AA	C 0248	VCCCCZ1HH331JY	C CERAM 330PF 50V 5%	S AA	AA
C 0150	VCKYCZ1CF104ZY	CAPACITOR 100NF 16V 20%	S AA	AA	C 0249	VCCCCZ1HH561JY	C CERAM 560PF 50V 5%	S AA	AA
C 0151	VCKYCZ1CF104ZY	CAPACITOR 100NF 16V 20%	S AA	AA	C 0252	VCCCCZ1HH561JY	C CERAM 560PF 50V 5%	S AA	AA
C 0153	VCKYCZ1CF104ZY	CAPACITOR 100NF 16V 20%	S AA	AA	C 0253	VCCCCZ1HH331JY	C CERAM 330PF 50V 5%	S AA	AA
C 0154	VCKYCZ1CF104ZY	CAPACITOR 100NF 16V 20%	S AA	AA	C 0261	VCKYCZ1CF104ZY	CAPACITOR 100NF 16V 20%	S AA	AA
C 0155	VCKYCZ1CF104ZY	CAPACITOR 100NF 16V 20%	S AA	AA	C 0262	VCKYCZ1CF104ZY	CAPACITOR 100NF 16V 20%	S AA	AA
C 0156	VCKYCZ1HB102KY	CAPACITOR 1NF 50V 10%	S AA	AA	C 0263	VCKYCZ1EF104ZY	CAPACITOR 100NF 25V 20%	S AA	AA
C 0157	VCKYCZ1CF104ZY	CAPACITOR 100NF 16V 20%	S AA	AA	C 0265	RC-KZA237WJZZY	CERAM C EMK212BJ106KGFT 10UF 16V 10%	S AA	AA
C 0159	VCKYCZ1CF104ZY	CAPACITOR 100NF 16V 20%	S AA	AA	C 0312	VCKYCZ1CF104ZY	CAPACITOR 100NF 16V 20%	S AA	AA
C 0161	VCKYCZ1CF104ZY	CAPACITOR 100NF 16V 20%	S AA	AA	C 0313	RC-KZA237WJZZY	CERAM C EMK212BJ106KGFT 10UF 16V 10%	S AA	AA
C 0162	VCKYCZ1CF104ZY	CAPACITOR 100NF 16V 20%	S AA	AA	C 0319	VCKYCZ1CF104ZY	CAPACITOR 100NF 16V 20%	S AA	AA
C 0163	VCKYCZ1CF104ZY	CAPACITOR 100NF 16V 20%	S AA	AA	C 0320	VCKYCZ1CF104ZY	CAPACITOR 100NF 16V 20%	S AA	AA
C 0165	VCKYCZ1CF104ZY	CAPACITOR 100NF 16V 20%	S AA	AA	C 0323	VCKYCZ1CF104ZY	CAPACITOR 100NF 16V 20%	S AA	AA
C 0166	RC-KZA237WJZZY	CERAM C EMK212BJ106KGFT 10UF 16V 10%	S AA	AA	C 0324	VCKYCY0JB105KY	CAPACITOR GRM39B 105K 6.3 (1608)SMD	S AA	AA
C 0167	VCKYCZ1CF104ZY	CAPACITOR 100NF 16V 20%	S AA	AA	C 0325	VCKYCY0JB105KY	CAPACITOR GRM39B 105K 6.3 (1608)SMD	S AA	AA
C 0169	VCKYCZ1CF104ZY	CAPACITOR 100NF 16V 20%	S AA	AA	C 0326	RC-KZA069WJZZY	CERAM C 4,7UF 10V GRM21BB31A475KA74L	S AA	AA
C 0170	VCKYCZ1CF104ZY	CAPACITOR 100NF 16V 20%	S AA	AA	C 0327	VCKYCZ1CF104ZY	CAPACITOR 100NF 16V 20%	S AA	AA
C 0171	VCKYCZ1CF104ZY	CAPACITOR 100NF 16V 20%	S AA	AA	C 0330	VCKYCZ1CF104ZY	CAPACITOR 100NF 16V 20%	S AA	AA
C 0172	VCKYCZ1CF104ZY	CAPACITOR 100NF 16V 20%	S AA	AA	C 0331	VCCCCZ1HH101JY	S. CHIP CAP 100PF 50V 5%	S AA	AA
C 0173	VCKYCZ1CF104ZY	CAPACITOR 100NF 16V 20%	S AA	AA	C 0332	VCKYCZ1CF104ZY	CAPACITOR 100NF 16V 20%	S AA	AA

REF No.	PARTS	DESCRIPTION	* SN CODE	EX CODE	REF No.	PARTS	DESCRIPTION	* SN CODE	EX CODE
C 0336	VCCCCZ1HH220JY	C CERAM 22PF 50V 5%	S AA	AA	C 0430	RC-KZA237WJZZY	CERAM C EMK212BJ106KGFT 10UF 16V 10%	S AA	AA
C 0337	VCKYCZ1CB103KY	CAPACITOR 10NF 16V 10%	S AA	AA	C 0431	VCKYCZ1CF104ZY	CAPACITOR 100NF 16V 20%	S AA	AA
C 0338	VCKYCZ1CF104ZY	CAPACITOR 100NF 16V 20%	S AA	AA	C 0432	VCKYCZ1CF104ZY	CAPACITOR 100NF 16V 20%	S AA	AA
C 0339	VCAAPE0JJ107MY	ELEC C 100UF 20% 6,3V 6SVP100M	S AA	AC	C 0650	VCKYCZ1CB473KY	CAPACITOR 47NF 16V 10%	S AA	AA
C 0340	VCAAPE0JJ107MY	ELEC C 100UF 20% 6,3V 6SVP100M	S AA	AC	C 0651	VCKYCZ1CB473KY	CAPACITOR 47NF 16V 10%	S AA	AA
C 0341	VRS-CZ1JF121JY	RES 0402 120 OHM 5% 1/16W SMD	S AA	AA	C 0701	RC-KZA114WJZZY	CERAM C 1UF 25V GRM188B31E105AK75D	S AA	AA
C 0342	VCEASX0JN107MY	ELEC C 100UF 6,3V MVL6,3VC100MF60E1	S AA	AB	C 0702	RC-KZA114WJZZY	CERAM C 1UF 25V GRM188B31E105AK75D	S AA	AA
C 0354	VCCCCZ1HH470JY	C CERAM 47PF 50V 5%	S AA	AA	C 0703	VCAAPE0JJ107MY	ELEC C 100UF 20% 6,3V 6SVP100M	S AA	AC
C 0355	VCCCCZ1HH470JY	C CERAM 47PF 50V 5%	S AA	AA	C 0737	VCCCCZ1HH220JY	C CERAM 22PF 50V 5%	S AA	AA
C 0356	VCKYCZ1CB473KY	CAPACITOR 47NF 16V 10%	S AA	AA	C 0739	VCCCCZ1HH220JY	C CERAM 22PF 50V 5%	S AA	AA
C 0357	VCKYCZ1CB473KY	CAPACITOR 47NF 16V 10%	S AA	AA	C 0740	VCCCCZ1HH220JY	C CERAM 22PF 50V 5%	S AA	AA
C 0359	VCKYCZ1CF104ZY	CAPACITOR 100NF 16V 20%	S AA	AA	C 0741	VCCCCZ1HH220JY	C CERAM 22PF 50V 5%	S AA	AA
C 0360	VCKYCZ1CF104ZY	CAPACITOR 100NF 16V 20%	S AA	AA	C 0761	VCKYCZ1CB105KN	CAPACITOR 1uF 16V GRM188B31C105KA92D	S AA	AA
C 0361	VCEASX1CN476MY	ELEC C 47UF 16V MVL16VC47MF60E1	S AA	AA	C 0763	VCKYCZ1CB105KN	CAPACITOR 1uF 16V GRM188B31C105KA92D	S AA	AA
C 0362	VCEASX1CN476MY	ELEC C 47UF 16V MVL16VC47MF60E1	S AA	AA	C 0801	RC-KZA237WJZZY	CERAM C EMK212BJ106KGFT 10UF 16V 10%	S AA	AA
C 0363	VCKYCZ1EF104ZY	CAPACITOR 100NF 25V 20%	S AA	AA	C 0802	RC-KZA237WJZZY	CERAM C EMK212BJ106KGFT 10UF 16V 10%	S AA	AA
C 0364	VCKYCZ1CF104ZY	CAPACITOR 100NF 16V 20%	S AA	AA	C 0803	VCCCCZ1HH331JY	C CERAM 330PF 50V 5%	S AA	AA
C 0365	VCKYCZ1CF104ZY	CAPACITOR 100NF 16V 20%	S AA	AA	C 0804	VCCCCZ1HH331JY	C CERAM 330PF 50V 5%	S AA	AA
C 0367	VCKYCZ1CF104ZY	CAPACITOR 100NF 16V 20%	S AA	AA	C 0902	VCCCCZ1HH331JY	C CERAM 330PF 50V 5%	S AA	AA
C 0368	VCKYCZ1EF104ZY	CAPACITOR 100NF 25V 20%	S AA	AA	C 0905	RC-KZA115WJZZY	CERAM C 2,2UF 10V GRM188B31A225KE33D	S AA	AA
C 0369	VCEASX0JN107MY	ELEC C 100UF 6,3V MVL6,3VC100MF60E1	S AA	AB	C 0906	VCCCCZ1HH561JY	C CERAM 560PF 50V 5%	S AA	AA
C 0370	RC-KZA115WJZZY	CERAM C 2,2UF 10V GRM188B31A225KE33D	S AA	AA	C 0907	VCCCCZ1HH561JY	C CERAM 560PF 50V 5%	S AA	AA
C 0371	VCKYCZ1CF104ZY	CAPACITOR 100NF 16V 20%	S AA	AA	C 0908	RC-KZA115WJZZY	CERAM C 2,2UF 10V GRM188B31A225KE33D	S AA	AA
C 0372	VCKYCZ1CF104ZY	CAPACITOR 100NF 16V 20%	S AA	AA	C 0909	VCCCCZ1HH331JY	C CERAM 330PF 50V 5%	S AA	AA
C 0374	VCEASX1CN476MY	ELEC C 47UF 16V MVL16VC47MF60E1	S AA	AA	C 0910	VCKYCZ1CF104ZY	CAPACITOR 100NF 16V 20%	S AA	AA
C 0375	VCKYCZ1EF104ZY	CAPACITOR 100NF 25V 20%	S AA	AA	C 1114	VCKYTV1EB224KY	CERAM C 220NF 25V 10%	S AA	AA
C 0376	VCKYCZ1EF104ZY	CAPACITOR 100NF 25V 20%	S AA	AA	C 1133	VCKYCZ1EF104ZY	CAPACITOR 100NF 25V 20%	S AA	AA
C 0377	VCEASX1CN476MY	ELEC C 47UF 16V MVL16VC47MF60E1	S AA	AA	C 1134	VCEASK1CN227MY	ELEC C 220UF 20% 16V MVY16VC220MF80	S AA	AB
C 0381	VCEASX1CN476MY	ELEC C 47UF 16V MVL16VC47MF60E1	S AA	AA	C 1135	VCKYTV1EB224KY	CERAM C 220NF 25V 10%	S AA	AA
C 0382	VCKYCZ1EF104ZY	CAPACITOR 100NF 25V 20%	S AA	AA	C 1327	RC-KZA115WJZZY	CERAM C 2,2UF 10V GRM188B31A225KE33D	S AA	AA
C 0383	VCKYCZ1EF104ZY	CAPACITOR 100NF 25V 20%	S AA	AA	C 1328	VCKYCZ1CF104ZY	CAPACITOR 100NF 16V 20%	S AA	AA
C 0384	VCEASX1CN476MY	ELEC C 47UF 16V MVL16VC47MF60E1	S AA	AA	C 1329	VCCCCZ1HH101JY	S. CHIP CAP 100PF 50V 5%	S AA	AA
C 0387	VCKYCZ1EF104ZY	CAPACITOR 100NF 25V 20%	S AA	AA	C 2301	VCKYCZ1CF104ZY	CAPACITOR 100NF 16V 20%	S AA	AA
C 0389	RC-KZA237WJZZY	CERAM C EMK212BJ106KGFT 10UF 16V 10%	S AA	AA	C 2302	VCCCCZ1HH220JY	C CERAM 22PF 50V 5%	S AA	AA
C 0390	VCKYCZ1CF104ZY	CAPACITOR 100NF 16V 20%	S AA	AA	C 2303	VCKYCZ1CF104ZY	CAPACITOR 100NF 16V 20%	S AA	AA
C 0391	VCKYCZ1EF104ZY	CAPACITOR 100NF 25V 20%	S AA	AA	C 2861	VCKYCZ1HB222KY	CAPACITOR 2,2NF 50V 10%	S AA	AA
C 0392	VCKYCZ1CB223KY	CAPACITOR 22NF 16V 10%	S AA	AA	C 3396	VCKYCZ1EF104ZY	CAPACITOR 100NF 25V 20%	S AA	AA
C 0393	VCKYCZ1EF104ZY	CAPACITOR 100NF 25V 20%	S AA	AA	C 3397	VCKYCY0JB105KY	CAPACITOR GRM39B 105K 6.3 (1608)SMD	S AA	AA
C 0394	VCCCCZ1HH220JY	C CERAM 22PF 50V 5%	S AA	AA	C 3398	RC-KZA237WJZZY	CERAM C EMK212BJ106KGFT 10UF 16V 10%	S AA	AA
C 0395	VCCCCZ1HH220JY	C CERAM 22PF 50V 5%	S AA	AA	C 3399	VCEASK1CN227MY	ELEC C 220UF 20% 16V MVY16VC220MF80	S AA	AB
C 0399	VCCCCZ1HH330JY	S. CHIP CAP 33PF 50V 5%	S AA	AA	C 3401	RC-KZA115WJZZY	CERAM C 2,2UF 10V GRM188B31A225KE33D	S AA	AA
C 0401	VCKYCZ1EF104ZY	CAPACITOR 100NF 25V 20%	S AA	AA	C 3402	VCKYCZ1CB224KY	CAPACITOR GRM39B 224K 16 (1608)SMD	S AA	AA
C 0405	VCKYCZ1EF104ZY	CAPACITOR 100NF 25V 20%	S AA	AA	C 3403	VCKYCZ1CB224KY	CAPACITOR GRM39B 224K 16 (1608)SMD	S AA	AA
C 0406	VCKYCZ1EF104ZY	CAPACITOR 100NF 25V 20%	S AA	AA	C 3404	VCCCCZ1HH330JY	S. CHIP CAP 33PF 50V 5%	S AA	AA
C 0409	VCCCCZ1HH330JY	S. CHIP CAP 33PF 50V 5%	S AA	AA	C 3405	VCCCCZ1HH470JY	C CERAM 47PF 50V 5%	S AA	AA
C 0410	RC-KZA237WJZZY	CERAM C EMK212BJ106KGFT 10UF 16V 10%	S AA	AA	C 3406	RC-KZA237WJZZY	CERAM C EMK212BJ106KGFT 10UF 16V 10%	S AA	AA
C 0413	VCKYCZ1CF104ZY	CAPACITOR 100NF 16V 20%	S AA	AA	C 3407	VCCCCZ1HH470JY	C CERAM 47PF 50V 5%	S AA	AA
C 0415	VCKYCZ1EF104ZY	CAPACITOR 100NF 25V 20%	S AA	AA	C 3408	VCCCCZ1HH330JY	S. CHIP CAP 33PF 50V 5%	S AA	AA
C 0416	VCKYCZ1CF104ZY	CAPACITOR 100NF 16V 20%	S AA	AA	C 3409	RC-KZA237WJZZY	CERAM C EMK212BJ106KGFT 10UF 16V 10%	S AA	AA
C 0417	VCKYCZ1EF104ZY	CAPACITOR 100NF 25V 20%	S AA	AA	C 3410	VCKYCY0JB105KY	CAPACITOR GRM39B 105K 6.3 (1608)SMD	S AA	AA
C 0418	VCKYCZ1EF104ZY	CAPACITOR 100NF 25V 20%	S AA	AA	C 3411	RC-KZA237WJZZY	CERAM C EMK212BJ106KGFT 10UF 16V 10%	S AA	AA
C 0420	VCKYCZ1EF104ZY	CAPACITOR 100NF 25V 20%	S AA	AA	C 3412	VCKYCZ1HB222KY	CAPACITOR 2,2NF 50V 10%	S AA	AA
C 0422	VCKYCZ1CF104ZY	CAPACITOR 100NF 16V 20%	S AA	AA	C 3414	RC-KZA237WJZZY	CERAM C EMK212BJ106KGFT 10UF 16V 10%	S AA	AA
C 0424	VCCCCZ1HH271JY	C CERAM 270PF 50V 5%	S AA	AA	C 3416	RC-KZA237WJZZY	CERAM C EMK212BJ106KGFT 10UF 16V 10%	S AA	AA
C 0426	VCKYCY1CB224KY	CAPACITOR GRM39B 224K 16 (1608)SMD	S AA	AA	C 3417	VCCCCZ1HH470JY	C CERAM 47PF 50V 5%	S AA	AA
C 0427	VCKYCZ1CF104ZY	CAPACITOR 100NF 16V 20%	S AA	AA	C 3418	VCCCCZ1HH330JY	S. CHIP CAP 33PF 50V 5%	S AA	AA
C 0428	VCKYCZ1CB103KY	CAPACITOR 10NF 16V 10%	S AA	AA	C 3419	VCKYCY1CB105KN	CAPACITOR 1uF 16V GRM188B31C105KA92D	S AA	AA
C 0429	VCKYCY1CB224KY	CAPACITOR GRM39B 224K 16 (1608)SMD	S AA	AA	C 3420	RC-KZA237WJZZY	CERAM C EMK212BJ106KGFT 10UF 16V 10%	S AA	AA

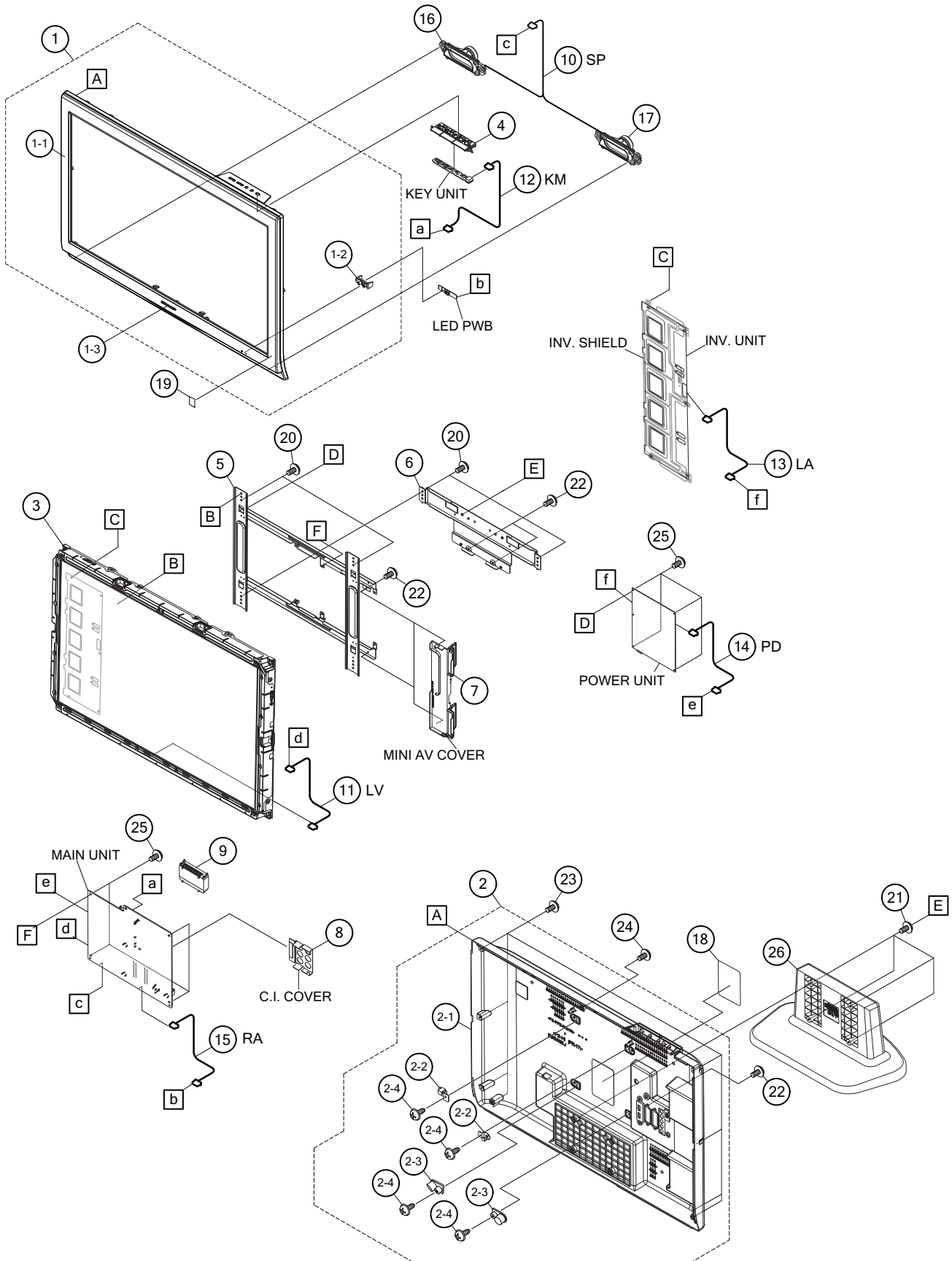
REF No.	PARTS	DESCRIPTION	* SN CODE	EX CODE	REF No.	PARTS	DESCRIPTION	* SN CODE	EX CODE
C 3422	RC-KZA237WJZZY	CERAM C EMK212B1106KGFT 10UF 16V 10%	S AA	AA	R 0055	VRS-CY1JF102FY	CHIP RESISTOR 1% 1K	S AA	AA
C 3423	VCCCCZ1HH470JY	C CERAM 47PF 50V 5%	S AA	AA	R 0056	VRS-CZ1JF103JY	RES 0402 10KOHM 5% 1/16W SMD	S AA	AA
C 3424	VCCCCZ1HH330JY	S. CHIP CAP 33PF 50V 5%	S AA	AA	R 0057	VRS-CY1JF102FY	CHIP RESISTOR 1% 1K	S AA	AA
C 3425	VCKYCY1CB105KN	CAPACITOR 1uF 16V GRM188B31C105KA92D	S AA	AA	R 0058	VRS-CZ1JF223JY	RES 0402 22KOHM 5% 1/16W SMD	S AA	AA
C 3426	RC-KZA237WJZZY	CERAM C EMK212B1106KGFT 10UF 16V 10%	S AA	AA	R 0059	VRS-CZ1JF000JY	RES 0402 0 OHM 5% 1/16W SMD	S AA	AA
C 3428	RC-KZA237WJZZY	CERAM C EMK212B1106KGFT 10UF 16V 10%	S AA	AA	R 0060	VRS-CZ1JF101JY	RES 0402 100 OHM 5% 1/16W SMD	S AA	AA
C 3429	VCCCCZ1HH470JY	C CERAM 47PF 50V 5%	S AA	AA	R 0061	VRS-CZ1JF223JY	RES 0402 22KOHM 5% 1/16W SMD	S AA	AA
C 3430	VCCCCZ1HH330JY	S. CHIP CAP 33PF 50V 5%	S AA	AA	R 0063	VRS-CZ1JF102JY	RES 0402 1KOHM 5% 1/16W SMD	S AA	AA
C 3431	VCKYCY1CB105KN	CAPACITOR 1uF 16V GRM188B31C105KA92D	S AA	AA	R 0065	VRS-CZ1JF102JY	RES 0402 1KOHM 5% 1/16W SMD	S AA	AA
C 3432	RC-KZA237WJZZY	CERAM C EMK212B1106KGFT 10UF 16V 10%	S AA	AA	R 0068	VRS-CY1JF103JY	RES 0603 10KOHM 5% 1/10W SMD	S AA	AA
C 3434	RC-KZA237WJZZY	CERAM C EMK212B1106KGFT 10UF 16V 10%	S AA	AA	R 0073	VRS-CY1JF102JY	RES 0603 1KOHM 5% 1/10W SMD	S AA	AA
C 3435	VCCCCZ1HH470JY	C CERAM 47PF 50V 5%	S AA	AA	R 0076	VRS-CY1JF101JY	RES 0603 100 OHM 5% 1/10W SMD	S AA	AA
C 3436	VCCCCZ1HH330JY	S. CHIP CAP 33PF 50V 5%	S AA	AA	R 0079	VRS-CY1JF103JY	RES 0603 10KOHM 5% 1/10W SMD	S AA	AA
C 3437	VCKYCY1CB105KN	CAPACITOR 1uF 16V GRM188B31C105KA92D	S AA	AA	R 0080	VRS-CZ1JF103JY	RES 0402 10KOHM 5% 1/16W SMD	S AA	AA
C 3438	RC-KZA114WJZZY	CERAM C 1UF 25V GRM188B31E105AK75D	S AA	AA	R 0082	VRS-CZ1JF103JY	RES 0402 10KOHM 5% 1/16W SMD	S AA	AA
C 3439	RC-KZA114WJZZY	CERAM C 1UF 25V GRM188B31E105AK75D	S AA	AA	R 0084	VRS-CZ1JF103JY	RES 0402 10KOHM 5% 1/16W SMD	S AA	AA
C 3440	VCEASK1CN27MY	ELEC C 220UF 20% 16V MVY16VC220MF80	S AA	AB	R 0085	VRS-CZ1JF000JY	RES 0402 0 OHM 5% 1/16W SMD	S AA	AA
RESISTORS					R 0086	VRS-CZ1JF000JY	RES 0402 0 OHM 5% 1/16W SMD	S AA	AA
R 0004	VRS-CY1JF104JY	RES 0603 100KOHM 5% 1/10W SMD	S AA	AA	R 0087	VRS-CZ1JF000JY	RES 0402 0 OHM 5% 1/16W SMD	S AA	AA
R 0006	VRS-CY1JF000JY	RES 0603 0 OHM 5% 1/10W SMD	S AA	AA	R 0088	VRS-CZ1JF000JY	RES 0402 0 OHM 5% 1/16W SMD	S AA	AA
R 0007	VRS-CY1JF122FY	RES 0603 1,2KOHM 1% 1/10W SMD	S AA	AA	R 0090	VRS-CZ1JF000JY	RES 0402 0 OHM 5% 1/16W SMD	S AA	AA
R 0008	VRS-CY1JF202FY	RES 0603 2KOHM 1% 1/10W SMD	S AA	AA	R 0091	VRS-CZ1JF000JY	RES 0402 0 OHM 5% 1/16W SMD	S AA	AA
R 0009	VRS-CY1JF103JY	RES 0603 10KOHM 5% 1/10W SMD	S AA	AA	R 0092	VRS-CZ1JF103JY	RES 0402 10KOHM 5% 1/16W SMD	S AA	AA
R 0010	VRS-CY1JF103JY	RES 0603 10KOHM 5% 1/10W SMD	S AA	AA	R 0094	VRS-CZ1JF000JY	RES 0402 0 OHM 5% 1/16W SMD	S AA	AA
R 0011	VRS-CY1JF121JY	SURFACE MOUNT CHIP RESISTOR 120 OHM	S AA	AA	R 0095	VRS-CZ1JF000JY	RES 0402 0 OHM 5% 1/16W SMD	S AA	AA
R 0012	VRS-CY1JF222JY	RES 0603 2,2KOHM 5% 1/10W SMD	S AA	AA	R 0096	VRS-CZ1JF000JY	RES 0402 0 OHM 5% 1/16W SMD	S AA	AA
R 0013	VRS-CY1JF101JY	RES 0603 100 OHM 5% 1/10W SMD	S AA	AA	R 0098	VRS-CZ1JF000JY	RES 0402 0 OHM 5% 1/16W SMD	S AA	AA
R 0014	VRS-CZ1JF102JY	RES 0402 1KOHM 5% 1/16W SMD	S AA	AA	R 0100	VRS-CZ1JF000JY	RES 0402 0 OHM 5% 1/16W SMD	S AA	AA
R 0015	VRS-CZ1JF101JY	RES 0402 100 OHM 5% 1/16W SMD	S AA	AA	R 0101	VRS-CY1JF333JY	RES 0603 33KOHM 5% 1/10W SMD	S AA	AA
R 0016	VRS-CY1JF103JY	RES 0603 10KOHM 5% 1/10W SMD	S AA	AA	R 0102	VRS-CY1JF333JY	RES 0603 33KOHM 5% 1/10W SMD	S AA	AA
R 0020	VRS-CY1JF000JY	RES 0603 0 OHM 5% 1/10W SMD	S AA	AA	R 0103	VRS-CZ1JF103JY	RES 0402 10KOHM 5% 1/16W SMD	S AA	AA
R 0021	VRS-CY1JF105JY	RES 0603 1MOHM 5% 1/10W SMD	S AA	AA	R 0104	VRS-CZ1JF103JY	RES 0402 10KOHM 5% 1/16W SMD	S AA	AA
R 0022	VRS-CY1JF000JY	RES 0603 0 OHM 5% 1/10W SMD	S AA	AA	R 0105	VRS-CZ1JF101JY	RES 0402 100 OHM 5% 1/16W SMD	S AA	AA
R 0023	VRS-CY1JF000JY	RES 0603 0 OHM 5% 1/10W SMD	S AA	AA	R 0107	VRS-CZ1JF103JY	RES 0402 10KOHM 5% 1/16W SMD	S AA	AA
R 0024	VRS-CZ1JF101JY	RES 0402 100 OHM 5% 1/16W SMD	S AA	AA	R 0109	VRS-CZ1JF000JY	RES 0402 0 OHM 5% 1/16W SMD	S AA	AA
R 0025	VRS-CZ1JF223JY	RES 0402 22KOHM 5% 1/16W SMD	S AA	AA	R 0110	VRS-CY1JF333JY	RES 0603 33KOHM 5% 1/10W SMD	S AA	AA
R 0026	VRS-CZ1JF101JY	RES 0402 100 OHM 5% 1/16W SMD	S AA	AA	R 0111	VRS-CZ1JF000JY	RES 0402 0 OHM 5% 1/16W SMD	S AA	AA
R 0027	VRS-CZ1JF223JY	RES 0402 22KOHM 5% 1/16W SMD	S AA	AA	R 0112	VRS-CY1JF472JY	RES 0603 4,7KOHM 5% 1/10W SMD	S AA	AA
R 0028	VRS-CZ1JF101JY	RES 0402 100 OHM 5% 1/16W SMD	S AA	AA	R 0113	VRS-CY1JF472JY	RES 0603 4,7KOHM 5% 1/10W SMD	S AA	AA
R 0029	VRS-CZ1JF223JY	RES 0402 22KOHM 5% 1/16W SMD	S AA	AA	R 0114	VRS-CY1JF101JY	RES 0603 100 OHM 5% 1/10W SMD	S AA	AA
R 0030	VRS-CZ1JF101JY	RES 0402 100 OHM 5% 1/16W SMD	S AA	AA	R 0115	VRS-CY1JF101JY	RES 0603 100 OHM 5% 1/10W SMD	S AA	AA
R 0031	VRS-CY1JF391FY	RES 0603 390 OHM 1% 1/10W SMD	S AA	AA	R 0116	VRS-CZ1JF000JY	RES 0402 0 OHM 5% 1/16W SMD	S AA	AA
R 0032	VRS-CZ1JF223JY	RES 0402 22KOHM 5% 1/16W SMD	S AA	AA	R 0120	VRS-CY1JF472JY	RES 0603 4,7KOHM 5% 1/10W SMD	S AA	AA
R 0033	VRS-CZ1JF470JY	RES 0402 47 OHM 5% 1/16W SMD	S AA	AA	R 0121	VRS-CZ1JF472JY	RES 0402 4,7KOHM 5% 1/16W SMD	S AA	AA
R 0034	VRS-CZ1JF470JY	RES 0402 47 OHM 5% 1/16W SMD	S AA	AA	R 0122	VRS-CZ1JF102JY	RES 0402 1KOHM 5% 1/16W SMD	S AA	AA
R 0035	VRS-CZ1JF470JY	RES 0402 47 OHM 5% 1/16W SMD	S AA	AA	R 0133	VRS-CZ1JF560JY	RES 0402 56 OHM 5% 1/16W SMD	S AA	AA
R 0036	VRS-CZ1JF470JY	RES 0402 47 OHM 5% 1/16W SMD	S AA	AA	R 0134	VRS-CZ1JF560JY	RES 0402 56 OHM 5% 1/16W SMD	S AA	AA
R 0037	VRS-CZ1JF470JY	RES 0402 47 OHM 5% 1/16W SMD	S AA	AA	R 0135	VRS-CZ1JF560JY	RES 0402 56 OHM 5% 1/16W SMD	S AA	AA
R 0038	VRS-CZ1JF470JY	RES 0402 47 OHM 5% 1/16W SMD	S AA	AA	R 0136	VRS-CZ1JF560JY	RES 0402 56 OHM 5% 1/16W SMD	S AA	AA
R 0039	VRS-CZ1JF470JY	RES 0402 47 OHM 5% 1/16W SMD	S AA	AA	R 0137	VRS-CY1JF102FY	CHIP RESISTOR 1% 1K	S AA	AA
R 0044	VRS-CZ1JF470JY	RES 0402 47 OHM 5% 1/16W SMD	S AA	AA	R 0138	VRS-CZ1JF560JY	RES 0402 56 OHM 5% 1/16W SMD	S AA	AA
R 0045	VRS-CZ1JF470JY	RES 0402 47 OHM 5% 1/16W SMD	S AA	AA	R 0139	VRS-CZ1JF560JY	RES 0402 56 OHM 5% 1/16W SMD	S AA	AA
R 0046	VRS-CZ1JF470JY	RES 0402 47 OHM 5% 1/16W SMD	S AA	AA	R 0140	VRS-CY1JF102FY	CHIP RESISTOR 1% 1K	S AA	AA
R 0047	VRS-CZ1JF471JY	RES 0402 470 OHM 5% 1/16W SMD	S AA	AA	R 0141	VRS-CZ1JF220JY	RES 0402 22 OHM 5% 1/16W SMD	S AA	AA
R 0049	VRS-CZ1JF470JY	RES 0402 47 OHM 5% 1/16W SMD	S AA	AA	R 0142	VRS-CZ1JF220JY	RES 0402 22 OHM 5% 1/16W SMD	S AA	AA
R 0050	VRS-CZ1JF470JY	RES 0402 47 OHM 5% 1/16W SMD	S AA	AA	R 0143	VRS-CZ1JF560JY	RES 0402 56 OHM 5% 1/16W SMD	S AA	AA
R 0053	VRS-CY1JF330JY	RES 0603 33 OHM 5% 1/10W SMD	S AA	AA	R 0144	VRS-CZ1JF560JY	RES 0402 56 OHM 5% 1/16W SMD	S AA	AA
R 0054	VRK-SB1FF330JY	RES 33 OHM 5% 1/32W SMD	S AA	AA	R 0145	VRS-CZ1JF560JY	RES 0402 56 OHM 5% 1/16W SMD	S AA	AA

REF No.	PARTS	DESCRIPTION	* SN CODE	EX CODE	REF No.	PARTS	DESCRIPTION	* SN CODE	EX CODE
R 0357	VRS-CZ1JF220JY	RES 0402 22 OHM 5% 1/16W SMD	S AA	AA	R 0545	VRS-CZ1JF331JY	RES 0402 330 OHM 5% 1/16W SMD	S AA	AA
R 0358	VRS-CZ1JF220JY	RES 0402 22 OHM 5% 1/16W SMD	S AA	AA	R 0546	VRS-CZ1JF392JY	RES 0402 3,9KOHM 5% 1/16W SMD	S AA	AA
R 0359	VRS-TW2HPR56JY	RES LCR1/4R15J 0,56 OHM 5% 1/2W SMD	S AA	AA	R 0547	VRS-CZ1JF151JY	RES 0402 150 OHM 5% 1/16W SMD	S AA	AA
R 0360	VRS-TW2HPR56JY	RES LCR1/4R15J 0,56 OHM 5% 1/2W SMD	S AA	AA	R 0551	VRS-CZ1JF103JY	RES 0402 10KOHM 5% 1/16W SMD	S AA	AA
R 0361	VRS-CZ1JF103JY	RES 0402 10KOHM 5% 1/16W SMD	S AA	AA	R 0554	VRS-CZ1JF102JY	RES 0402 1KOHM 5% 1/16W SMD	S AA	AA
R 0362	VRS-CZ1JF101JY	RES 0402 100 OHM 5% 1/16W SMD	S AA	AA	R 0555	VRK-SB1FF560JY	RES 56 OHM 5% 1/32W SMD	S AA	AA
R 0363	VRK-SB1FF220JY	RES 22 OHM 5% 1/32W SMD	S AA	AA	R 0556	VRK-SB1FF560JY	RES 56 OHM 5% 1/32W SMD	S AA	AA
R 0364	VRK-SB1FF220JY	RES 22 OHM 5% 1/32W SMD	S AA	AA	R 0620	VRS-CZ1JF750JY	RES 0402 75 OHM 5% 1/16W SMD	S AA	AA
R 0391	VRS-CZ1JF103JY	RES 0402 10KOHM 5% 1/16W SMD	S AA	AA	R 0658	VRS-CZ1JF822JY	RES 0402 8,2KOHM 5% 1/16W SMD	S AA	AA
R 0394	VRS-CZ1JF103JY	RES 0402 10KOHM 5% 1/16W SMD	S AA	AA	R 0700	VRS-CY1JF750JY	S CHIP RESISTOR 75 OHM	S AA	AA
R 0395	VRS-CZ1JF223FY	RES 0402 22KOHM 1% 1/16W SMD	S AA	AA	R 0701	VRS-CZ1JF470JY	RES 0402 47 OHM 5% 1/16W SMD	S AA	AA
R 0397	VRS-CZ1JF103JY	RES 0402 10KOHM 5% 1/16W SMD	S AA	AA	R 0702	VRS-CZ1JF103JY	RES 0402 10KOHM 5% 1/16W SMD	S AA	AA
R 0407	VRS-CZ1JF000JY	RES 0402 0 OHM 5% 1/16W SMD	S AA	AA	R 0703	VRS-CZ1JF103JY	RES 0402 10KOHM 5% 1/16W SMD	S AA	AA
R 0409	VRS-CY1JF000JY	RES 0603 0 OHM 5% 1/10W SMD	S AA	AA	R 0814	VRS-CY1JF680JY	RES 0603 68 OHM 5% 1/10W SMD	S AA	AA
R 0410	VRS-CY1JF000JY	RES 0603 0 OHM 5% 1/10W SMD	S AA	AA	R 0815	VRS-CY1JF221JY	RES 0603 220 OHM 5% 1/10W SMD	S AA	AA
R 0414	VRS-CZ1JF103JY	RES 0402 10KOHM 5% 1/16W SMD	S AA	AA	R 0816	VRS-CY1JF750JY	S CHIP RESISTOR 75 OHM	S AA	AA
R 0415	VRS-CZ1JF103JY	RES 0402 10KOHM 5% 1/16W SMD	S AA	AA	R 0817	VRS-CY1JF683JY	RES 0603 68KOHM 5% 1/10W SMD	S AA	AA
R 0417	VRS-CY1JF103JY	RES 0603 10KOHM 5% 1/10W SMD	S AA	AA	R 0818	VRS-CY1JF273JY	S. CHIP RES. 27-OHM TAPED	S AA	AA
R 0418	VRS-CZ1JF103JY	RES 0402 10KOHM 5% 1/16W SMD	S AA	AA	R 0819	VRS-CY1JF471JY	RES 0603 470 OHM 5% 1/10W SMD	S AA	AA
R 0419	VRS-CY1JF100JY	RES 0603 10 OHM 5% 1/10W SMD	S AA	AA	R 0905	VRS-CY1JF103JY	RES 0603 10KOHM 5% 1/10W SMD	S AA	AA
R 0420	VRS-CY1JF472JY	RES 0603 4,7KOHM 5% 1/10W SMD	S AA	AA	R 0910	VRS-CY1JF123JY	RES 0603 12KOHM 5% 1/10W SMD	S AA	AA
R 0421	VRS-CY1JF472JY	RES 0603 4,7KOHM 5% 1/10W SMD	S AA	AA	R 0911	VRS-CY1JF103JY	RES 0603 10KOHM 5% 1/10W SMD	S AA	AA
R 0422	VRS-CY1JF472JY	RES 0603 4,7KOHM 5% 1/10W SMD	S AA	AA	R 0912	VRS-CY1JF123JY	RES 0603 12KOHM 5% 1/10W SMD	S AA	AA
R 0423	VRS-CY1JF220JY	RES 0603 22 OHM 5% 1/10W SMD	S AA	AA	R 1001	VRK-SB1FF330JY	RES 33 OHM 5% 1/32W SMD	S AA	AA
R 0424	VRS-CY1JF103JY	RES 0603 10KOHM 5% 1/10W SMD	S AA	AA	R 1002	VRK-SB1FF330JY	RES 33 OHM 5% 1/32W SMD	S AA	AA
R 0425	VRS-CZ1JF220JY	RES 0402 22 OHM 5% 1/16W SMD	S AA	AA	R 1003	VRK-SB1FF330JY	RES 33 OHM 5% 1/32W SMD	S AA	AA
R 0426	VRS-CY1JF473JY	RES 0603 47KOHM 5% 1/10W SMD	S AA	AA	R 1004	VRK-SB1FF330JY	RES 33 OHM 5% 1/32W SMD	S AA	AA
R 0427	VRS-CY1JF472JY	RES 0603 4,7KOHM 5% 1/10W SMD	S AA	AA	R 1005	VRK-SB1FF330JY	RES 33 OHM 5% 1/32W SMD	S AA	AA
R 0447	VRS-CZ1JF102JY	RES 0402 1KOHM 5% 1/16W SMD	S AA	AA	R 1006	VRK-SB1FF330JY	RES 33 OHM 5% 1/32W SMD	S AA	AA
R 0448	VRS-CZ1JF152JY	RES 0402 1,5KOHM 5% 1/16W SMD	S AA	AA	R 1007	VRK-SB1FF330JY	RES 33 OHM 5% 1/32W SMD	S AA	AA
R 0450	VRS-CZ1JF470JY	RES 0402 47 OHM 5% 1/16W SMD	S AA	AA	R 1008	VRK-SB1FF330JY	RES 33 OHM 5% 1/32W SMD	S AA	AA
R 0452	VRS-CZ1JF470JY	RES 0402 47 OHM 5% 1/16W SMD	S AA	AA	R 1009	VRK-SB1FF560JY	RES 56 OHM 5% 1/32W SMD	S AA	AA
R 0453	VRS-CZ1JF470JY	RES 0402 47 OHM 5% 1/16W SMD	S AA	AA	R 1010	VRK-SB1FF560JY	RES 56 OHM 5% 1/32W SMD	S AA	AA
R 0455	VRS-CZ1JF470JY	RES 0402 47 OHM 5% 1/16W SMD	S AA	AA	R 1011	VRK-SB1FF560JY	RES 56 OHM 5% 1/32W SMD	S AA	AA
R 0482	VRS-CZ1JF221JY	RES 0402 220 OHM 5% 1/16W SMD	S AA	AA	R 1012	VRK-SB1FF560JY	RES 56 OHM 5% 1/32W SMD	S AA	AA
R 0484	VRS-CZ1JF221JY	RES 0402 220 OHM 5% 1/16W SMD	S AA	AA	R 1013	VRK-SB1FF560JY	RES 56 OHM 5% 1/32W SMD	S AA	AA
R 0485	VRS-CZ1JF472JY	RES 0402 4,7KOHM 5% 1/16W SMD	S AA	AA	R 1014	VRK-SB1FF560JY	RES 56 OHM 5% 1/32W SMD	S AA	AA
R 0486	VRS-CZ1JF472JY	RES 0402 4,7KOHM 5% 1/16W SMD	S AA	AA	R 1015	VRK-SB1FF560JY	RES 56 OHM 5% 1/32W SMD	S AA	AA
R 0487	VRS-CZ1JF470JY	RES 0402 47 OHM 5% 1/16W SMD	S AA	AA	R 1016	VRK-SB1FF560JY	RES 56 OHM 5% 1/32W SMD	S AA	AA
R 0498	VRS-CY1JF472JY	RES 0603 4,7KOHM 5% 1/10W SMD	S AA	AA	R 1017	VRK-SB1FF560JY	RES 56 OHM 5% 1/32W SMD	S AA	AA
R 0500	VRS-CY1JF472JY	RES 0603 4,7KOHM 5% 1/10W SMD	S AA	AA	R 1018	VRK-SB1FF560JY	RES 56 OHM 5% 1/32W SMD	S AA	AA
R 0501	VRS-CY1JF102JY	RES 0603 1KOHM 5% 1/10W SMD	S AA	AA	R 1019	VRK-SB1FF560JY	RES 56 OHM 5% 1/32W SMD	S AA	AA
R 0502	VRS-CY1JF101JY	RES 0603 100 OHM 5% 1/10W SMD	S AA	AA	R 1020	VRK-SB1FF560JY	RES 56 OHM 5% 1/32W SMD	S AA	AA
R 0503	VRS-CY1JF103JY	RES 0603 10KOHM 5% 1/10W SMD	S AA	AA	R 1021	VRK-SB1FF560JY	RES 56 OHM 5% 1/32W SMD	S AA	AA
R 0504	VRS-CY1JF101JY	RES 0603 100 OHM 5% 1/10W SMD	S AA	AA	R 1022	VRK-SB1FF560JY	RES 56 OHM 5% 1/32W SMD	S AA	AA
R 0505	VRS-CY1JF101JY	RES 0603 100 OHM 5% 1/10W SMD	S AA	AA	R 1109	VRS-CZ1JF103JY	RES 0402 10KOHM 5% 1/16W SMD	S AA	AA
R 0509	VRS-CY1JF103JY	RES 0603 10KOHM 5% 1/10W SMD	S AA	AA	R 1123	VRS-CZ1JF103JY	RES 0402 10KOHM 5% 1/16W SMD	S AA	AA
R 0522	VRS-CZ1JF000JY	RES 0402 0 OHM 5% 1/16W SMD	S AA	AA	R 1127	VRS-CY1JF103JY	RES 0603 10KOHM 5% 1/10W SMD	S AA	AA
R 0530	VRS-CZ1JF620JY	RES 0402 62 OHM 5% 1/16W SMD	S AA	AA	R 1174	VRS-CZ1JF102JY	RES 0402 1KOHM 5% 1/16W SMD	S AA	AA
R 0534	VRS-CZ1JF470JY	RES 0402 47 OHM 5% 1/16W SMD	S AA	AA	R 1228	VRS-CY1JF103JY	RES 0603 10KOHM 5% 1/10W SMD	S AA	AA
R 0535	VRS-CY1JF220JY	RES 0603 22 OHM 5% 1/10W SMD	S AA	AA	R 1318	VRS-CY1JF472JY	RES 0603 4,7KOHM 5% 1/10W SMD	S AA	AA
R 0536	VRS-CY1JF220JY	RES 0603 22 OHM 5% 1/10W SMD	S AA	AA	R 1514	VRS-CY1JF220JY	RES 0603 22 OHM 5% 1/10W SMD	S AA	AA
R 0537	VRS-CY1JF202JY	RES 0603 2KOHM 5% 1/10W SMD	S AA	AA	R 1517	VRS-CY1JF000JY	RES 0603 0 OHM 5% 1/10W SMD	S AA	AA
R 0538	VRS-CY1JF202JY	RES 0603 2KOHM 5% 1/10W SMD	S AA	AA	R 1525	VRS-CY1JF220JY	RES 0603 22 OHM 5% 1/10W SMD	S AA	AA
R 0540	VRS-CZ1JF470JY	RES 0402 47 OHM 5% 1/16W SMD	S AA	AA	R 1526	VRK-SB1FF220JY	RES 22 OHM 5% 1/32W SMD	S AA	AA
R 0542	VRS-CZ1JF470JY	RES 0402 47 OHM 5% 1/16W SMD	S AA	AA	R 1527	VRK-SB1FF220JY	RES 22 OHM 5% 1/32W SMD	S AA	AA
R 0543	VRS-CZ1JF331JY	RES 0402 330 OHM 5% 1/16W SMD	S AA	AA	R 1543	VRS-CZ1JF000JY	RES 0402 0 OHM 5% 1/16W SMD	S AA	AA
R 0544	VRS-CZ1JF103JY	RES 0402 10KOHM 5% 1/16W SMD	S AA	AA	R 1544	VRS-CZ1JF000JY	RES 0402 0 OHM 5% 1/16W SMD	S AA	AA

REF No.	PARTS	DESCRIPTION	* SN CODE	EX CODE
R 1547	VRS-CZ1JF000JY	RES 0402 0 OHM 5% 1/16W SMD	S AA	AA
R 1548	VRS-CZ1JF000JY	RES 0402 0 OHM 5% 1/16W SMD	S AA	AA
R 2081	VRS-CZ1JF151JY	RES 0402 150 OHM 5% 1/16W SMD	S AA	AA
R 2082	VRS-CZ1JF151JY	RES 0402 150 OHM 5% 1/16W SMD	S AA	AA
R 2314	VRS-CZ1JF103JY	RES 0402 10KOHM 5% 1/16W SMD	S AA	AA
R 2315	VRS-CZ1JF103JY	RES 0402 10KOHM 5% 1/16W SMD	S AA	AA
R 8133	VRS-CY1JF472JY	RES 0603 4,7KOHM 5% 1/10W SMD	S AA	AA
R 8134	VRS-CY1JF472JY	RES 0603 4,7KOHM 5% 1/10W SMD	S AA	AA
R 8136	VRS-CZ1JF221JY	RES 0402 220 OHM 5% 1/16W SMD	S AA	AA
R 8137	VRS-CZ1JF822JY	RES 0402 8,2KOHM 5% 1/16W SMD	S AA	AA
R 8138	VRS-CY1JF100JY	RES 0603 10 OHM 5% 1/10W SMD	S AA	AA
R 8139	VRS-CY1JF100JY	RES 0603 10 OHM 5% 1/10W SMD	S AA	AA
R 8140	VRS-CY1JF100JY	RES 0603 10 OHM 5% 1/10W SMD	S AA	AA
R 8141	VRS-CY1JF273JY	S. CHIP RES. 27-OHM TAPED	S AA	AA
R 8142	VRS-CZ1JF221JY	RES 0402 220 OHM 5% 1/16W SMD	S AA	AA
R 8143	VRS-CZ1JF101JY	RES 0402 100 OHM 5% 1/16W SMD	S AA	AA
R 8144	VRS-CZ1JF101JY	RES 0402 100 OHM 5% 1/16W SMD	S AA	AA
R 8145	VRS-CZ1JF333JY	RES 0402 33KOHM 5% 1/16W SMD	S AA	AA
R 8146	VRS-CZ1JF103JY	RES 0402 10KOHM 5% 1/16W SMD	S AA	AA
R 8147	VRS-CZ1JF333JY	RES 0402 33KOHM 5% 1/16W SMD	S AA	AA
R 8148	VRS-CZ1JF103JY	RES 0402 10KOHM 5% 1/16W SMD	S AA	AA
R 8149	VRS-CZ1JF473JY	RES 0402 47KOHM 5% 1/16W SMD	S AA	AA
R 8150	VRS-CY1JF104JY	RES 0603 100KOHM 5% 1/10W SMD	S AA	AA
R 8151	VRS-CZ1JF104JY	RES 0402 100KOHM 5% 1/16W SMD	S AA	AA
R 8152	VRS-CZ1JF104JY	RES 0402 100KOHM 5% 1/16W SMD	S AA	AA
R 8153	VRS-CZ1JF104JY	RES 0402 100KOHM 5% 1/16W SMD	S AA	AA
R 8154	VRS-CZ1JF471JY	RES 0402 470 OHM 5% 1/16W SMD	S AA	AA
R 8155	VRS-CZ1JF333JY	RES 0402 33KOHM 5% 1/16W SMD	S AA	AA
R 8156	VRS-CZ1JF103JY	RES 0402 10KOHM 5% 1/16W SMD	S AA	AA
R 8157	VRS-CZ1JF103JY	RES 0402 10KOHM 5% 1/16W SMD	S AA	AA
R 8158	VRS-CZ1JF103JY	RES 0402 10KOHM 5% 1/16W SMD	S AA	AA
R 8159	VRS-CZ1JF103JY	RES 0402 10KOHM 5% 1/16W SMD	S AA	AA
R 8160	VRS-CZ1JF104JY	RES 0402 100KOHM 5% 1/16W SMD	S AA	AA
R 8161	VRS-CZ1JF471JY	RES 0402 470 OHM 5% 1/16W SMD	S AA	AA
R 8162	VRS-CZ1JF333JY	RES 0402 33KOHM 5% 1/16W SMD	S AA	AA
R 8163	VRS-CZ1JF103JY	RES 0402 10KOHM 5% 1/16W SMD	S AA	AA
R 8164	VRS-CY1JF104JY	RES 0603 100KOHM 5% 1/10W SMD	S AA	AA
R 8166	VRS-CZ1JF104JY	RES 0402 100KOHM 5% 1/16W SMD	S AA	AA
R 8167	VRS-CZ1JF471JY	RES 0402 470 OHM 5% 1/16W SMD	S AA	AA
R 8168	VRS-CZ1JF333JY	RES 0402 33KOHM 5% 1/16W SMD	S AA	AA
R 8169	VRS-CZ1JF103JY	RES 0402 10KOHM 5% 1/16W SMD	S AA	AA
R 8170	VRS-CZ1JF103JY	RES 0402 10KOHM 5% 1/16W SMD	S AA	AA
R 8171	VRS-CZ1JF103JY	RES 0402 10KOHM 5% 1/16W SMD	S AA	AA
R 8173	VRS-CZ1JF104JY	RES 0402 100KOHM 5% 1/16W SMD	S AA	AA
R 8174	VRS-CZ1JF471JY	RES 0402 470 OHM 5% 1/16W SMD	S AA	AA
R 8175	VRS-CZ1JF333JY	RES 0402 33KOHM 5% 1/16W SMD	S AA	AA
R 8176	VRS-CZ1JF103JY	RES 0402 10KOHM 5% 1/16W SMD	S AA	AA
R 8178	VRS-CZ1JF104JY	RES 0402 100KOHM 5% 1/16W SMD	S AA	AA
R 8179	VRS-CZ1JF104JY	RES 0402 100KOHM 5% 1/16W SMD	S AA	AA
R 8180	VRS-CY1JF101JY	RES 0603 100 OHM 5% 1/10W SMD	S AA	AA
R 8181	VRS-CY1JF101JY	RES 0603 100 OHM 5% 1/10W SMD	S AA	AA
R 8182	VRS-CY1JF101JY	RES 0603 100 OHM 5% 1/10W SMD	S AA	AA
R 8183	VRS-CY1JF101JY	RES 0603 100 OHM 5% 1/10W SMD	S AA	AA
R 8184	VRS-CZ1JF104JY	RES 0402 100KOHM 5% 1/16W SMD	S AA	AA
MISCELLANEOUS PARTS				
FB 0001	VRS-TV1JD000JY	RES 2125 0 OHM 5% 1/10W SMD	S AA	AA
FB 0010	VRS-CY1JF000JY	RES 0603 0 OHM 5% 1/10W SMD	S AA	AA
FB 0011	VRS-CY1JF000JY	RES 0603 0 OHM 5% 1/10W SMD	S AA	AA

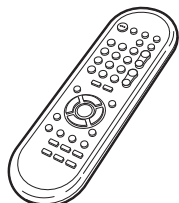
REF No.	PARTS	DESCRIPTION	* SN CODE	EX CODE
FB 0012	VRS-CY1JF000JY	RES 0603 0 OHM 5% 1/10W SMD	S AA	AA
FB 0013	VRS-CY1JF000JY	RES 0603 0 OHM 5% 1/10W SMD	S AA	AA
FB 0301	RBLN-0210TAZZY	BALUNE BLM21PG221SN1D	S AA	AA
FB 1501	RBLN-A022WJZZY	BALUNE BLM18BB121SN1D	S AA	AA
FB 1502	RBLN-A022WJZZY	BALUNE BLM18BB121SN1D	S AA	AA
FB 1503	RBLN-A022WJZZY	BALUNE BLM18BB121SN1D	S AA	AA
J 1003	QJAKJ0008GEZZ	HEADPHONE JACK YKB21-5157V	S AA	AB
J 1301	QJAKJA014WJZZ	JACK HEADPHONE PJ-364H	S AA	AC
J 1305	QJAKEA086WJ00	JACK RCA-101H(BK)	S AA	AA
J 1401	QJAKKA007WJZZ	JACK RCA-512HAT-00A-03	S AB	AE
J 4001	QJAKJ0008GEZZ	HEADPHONE JACK YKB21-5157V	S AA	AB
J 8101	QSOCZA153WJQZ	CONNECTOR USB CSS5004-1F01F	S AB	AD
LUG1701	QLUGHA006WJZZY	METALLIC LUG SD01138-21	S AA	AA
LUG1702	QLUGHA006WJZZY	METALLIC LUG SD01138-21	S AA	AA
LUG1703	QLUGHA006WJZZY	METALLIC LUG SD01138-21	S AA	AA
LUG1704	QLUGHA006WJZZY	METALLIC LUG SD01138-21	S AA	AA
P 1701	QPLGN0185FJZZY	CONNECTOR S13B-PH-SM4-TB	S AA	AC
P 2301	QPLGN0563TAZZY	CONNECTOR 53261-0590	S AA	AB
P 2701	QPLGNA160WJZZY	CONNECTOR SM04B-PASS-TBT(LF)	S AA	AB
P 3071	QPLGNA324WJZZY	CONNECTOR SM04B-GHS-(FL)(SN)	S AA	AB
SC 1101	QSOCZA161WJZZ	SCART RGB-11H	S AA	AD
SC 1102	QSOCZA161WJZZ	SCART RGB-11H	S AA	AD
SC 1901	QSOCZA173WJQZY	CONNECTOR HDMI CSS5019-1P01FSZ	S AB	AE
SC 1902	QSOCZA173WJQZY	CONNECTOR HDMI CSS5019-1P01FSZ	S AB	AE
SC 4401	QCNCMA340WJSA	C.I.CARD SLOTICMG68H-DS111NF(LF)(SN)JST	S AD	AL
SC 8201	QPLGNA493WJZZY	CONNECTOR FI-X30SSL-HF-2500	S AC	AG
DUNTKE262FM01				
LED Unit				
DIODES				
DUND 5103	RH-PX0421CEZZY	LED DIODO CL-165HR/YG-D-A1 CITIZEN	S AA	AB
CAPACITORS				
C 5102	VCKYTV1CF225ZY	CERAM C 2,2UF 16V 2125SMD	S AA	AA
RESISTORS				
R 5101	VRS-CY1JF101JY	RES 0603 100 OHM 5% 1/10W SMD	S AA	AA
R 5108	VRS-CY1JF151JY	RES 0603 150 OHM 5% 1/10W SMD	S AA	AA
R 5109	VRS-CY1JF681JY	RES 0603 680 OHM 5% 1/10W SMD	S AA	AA
MISCELLANEOUS PARTS				
P 5101	QPLGN0563TAZZY	CONNECTOR 53261-0590	S AA	AB
RMC5101	RRMCUA053WJZZ	REMOTE CONTROL	S AA	AD
SLD5101	PSLDPA076WJFW	SHIELD CASE	S AA	AA
DUNTKE266FM01				
KEY Unit				
	DUNTKE266FM01	KEY UNIT	S AB	AG
RDENCA366WJQZ				
POWER Unit				
△	RDENCA366WJQZ	POWER SUPPLY	S AV	BG

CABINET AND MECHANICAL PARTS

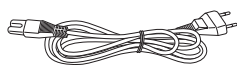


Supplied accessories

Remote control unit
(× 1)



AC cord (× 1)



Product shape varies in
some countries.

• “AA” size zinc-carbon battery (× 2)

• Operation manual

CABINET AND MECHANICAL PARTS LISTING

REF No.	PARTS	DESCRIPTION	*	SN CODE	EX CODE
1	CCABAC354WJ01	KS-CAB-A LC32	S	AR	BC
1-1	GCABAC354WJ1A	Cabinet	S	--	--
1-2	HDECQB287WJ1A	Cover Led	S	--	--
1-3	HBDGBA070WJSA	SHARP Badge	S	AB	AE
2	CCABBB561WJ01	KS-CAB-B LC32	S	AS	BC
2-1	GCABBB561WJ1A	Rear Cabinet	S	--	--
2-2	LANGKB882WJFW	Angle	S	AA	AB
2-3	LHLDZA929WJZZ	Holder	S	AA	AD
2-4	XEBS730P08000	Screw	S	AA	AA
3	R1LK315T3LA57Y	Panel 32" WXGA SMPL LK315T3LA57	S	CC	CW
4	JBTN-A718WJ1A	Control Button 0158007180	S	AB	AE
5	CANGKC311WJ01	KS-Angle	S	AH	AU
6	CANGKC315WJ01	KS-Stand Angle	S	AF	AQ
7	GCOVAD649WJ1A	TERMINAL COVER	S	AC	AH
8	GCOVAD468WJSA	CI COVER	S	AA	AD
9	RTUDAA019WJQZ	Tuner.	S	AP	BA
10	QCNW-K098WJQZ	Twisted Wire (SP)	S	AB	AF
11	QCNW-K156WJPZ	Coaxial wire (LV) (Control-Main)	S	AH	AU
12	QCNW-G660WJQZ	Twisted Wire (KM) ACNWC5799-01A	S	AA	AD
13	QCNW-J655WJZZ	Wire (LA) (Inver-Power).	S	AC	AG
14	QCNW-K097WJZZ	Wire (PD) (Power-Main)	S	AB	AF
15	QCNW-K109WJQZ	Led unit wire (RA).	S	AA	AD
16	RSP-ZA355WJZZ	Speaker (L).	S	AE	AP
17	RSP-ZA356WJZZ	Speaker (R).	S	AE	AN
18	TLABZB310WJZZ	Model Label.	S	AA	AA
19	TLABZB406WJZZ	ECO Label on A_Cab (Except Russian models).	S	AA	AB
20	XBBS740P06000	Screw, x4 (Fix Bracket set and Stand Bracket set).	S	AA	AA
21	XBBS940P10000	Screw, x4 (Fix Stand LCD).	S	AA	AA
22	XEBS730P08000	Screw, x5 (Fix terminals area, Stand Bracket to A_cab and AV cover).	S	AA	AA
23	XEBS740P16000	Screw, x8 (Fix A_Cab).	S	AA	AA
24	XEBS930P14000	Screw, x1 (Fix A_Cab upper central area).	S	AA	AA
25	XHPS730P06WS0	Screw, x8 (Fix PWB's).	S	AA	AA
26	CDAI-A589WJ1A	Stand Ass'y LC- 32DH500E.	S	AM	AX

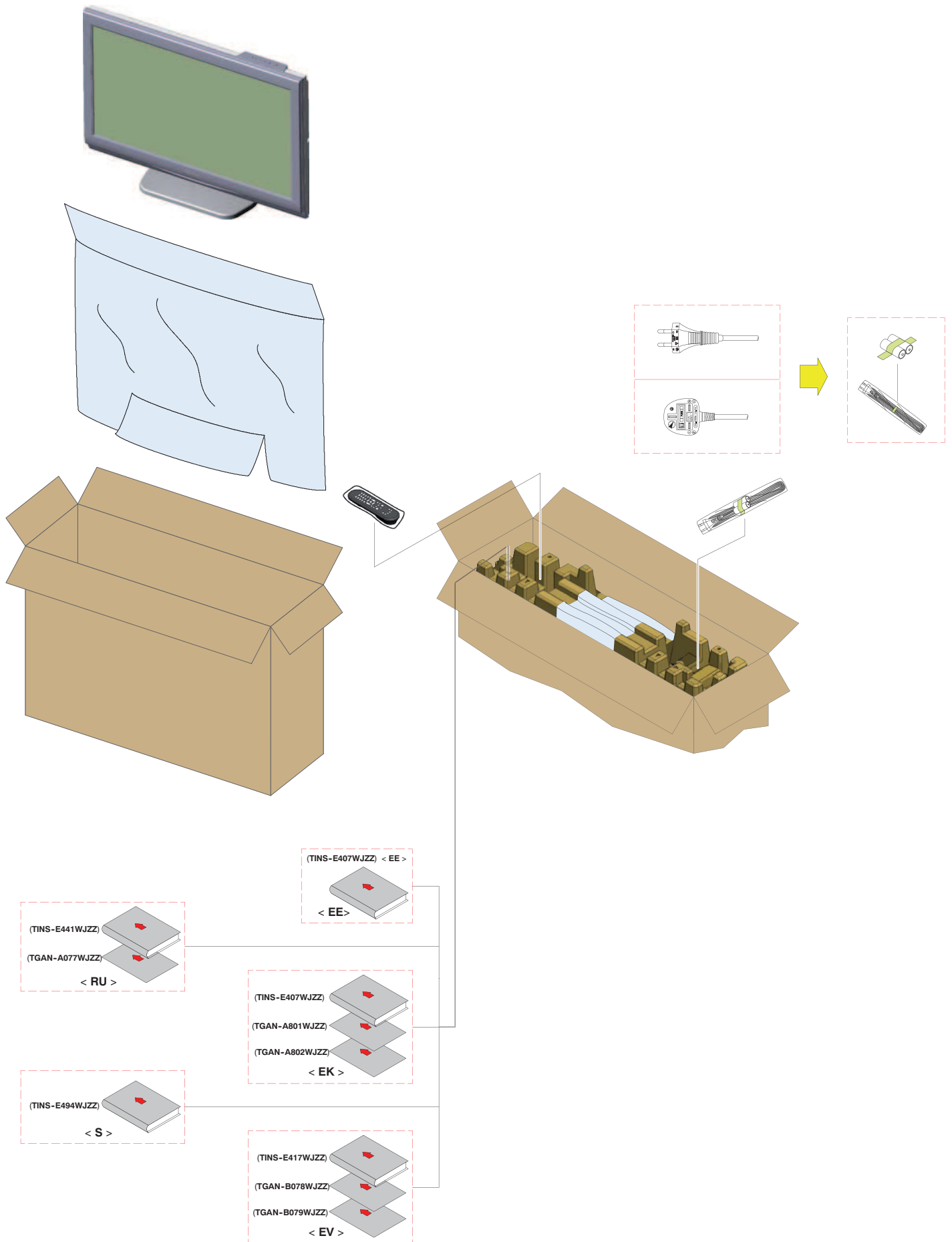
ACCESSORIES PARTS LISTING

REF No.	PARTS	DESCRIPTION	*	SN CODE	EX CODE
△	QACCKA047WJPZ	AC-Cord (except U.K. and Eire)	S	AC	AH
△	QACCBA054WJPZ	AC-Cord (for U.K. and Eire)	S	AB	AM
	TINS-E407WJZZ	Owners Manual (for Europe except East Europe)	S	AC	AK
	TINS-E417WJZZ	Owners Manual (for East Europe)	S	AE	AP
	TINS-E441WJZZ	Owners Manual (for Russia)	S	AB	AF
	TINS-E494WJZZ	Owners Manual (for Northern Europe)	S	AB	AF
	TGAN-A077WJZZ	Warranty card (for Russia)	S	AA	AD
	TGAN-A801WJZZ	Warranty card (for U.K. and Eire)	S	AA	AD
	TGAN-A802WJZZ	Warranty card AQUOS CA (for U.K. and Eire)	S	AA	AD
	TGAN-B078WJZZ	Warranty card (for East Europe)	S	AA	AC
	TGAN-B079WJZZ	Warranty card (for East Europe)	S	AA	AC
	TLABZC443WJZZ	POP LABEL (Except Russia)	S	AB	AE
	TLABZC444WJZZ	POP LABEL (for Russia)	S	AB	AF
	UBATUA023WJZZ	Battery R6UWC/2SKD x2	S	AA	AC
	RRMCGA608WJSA	R/C YKF204-004	S	AE	AN

PACKING PARTS LISTING

REF No.	PARTS	DESCRIPTION	*	SN CODE	EX CODE
	SPAKCF015WJZZ	Packing Case	S	AF	AR
	SPAKPB384WJ1A	HOSO-PP	S	AD	AM
	SPAKXC585WJZZ	Pack-AD	S	AE	AN

PACKING OF THE SET



Notes:

SHARP®

COPYRIGHT © 2009 BY SHARP CORPORATION

ALL RIGHTS RESERVED

No part of this publication may be reproduced, stored in a retrieval system, or transmitted in any form or by any means, electronic, mechanical, photocopying, recording, or otherwise, without prior written permission of the publisher.

SHARP CORPORATION
AV System Group

SHARP ELECTRONICA ESPAÑA S.A.
Service Manual Group
Engineering Dept.
C/ Sena, 2-10
08174 Sant Cugat del Vallès
Barcelona
Spain