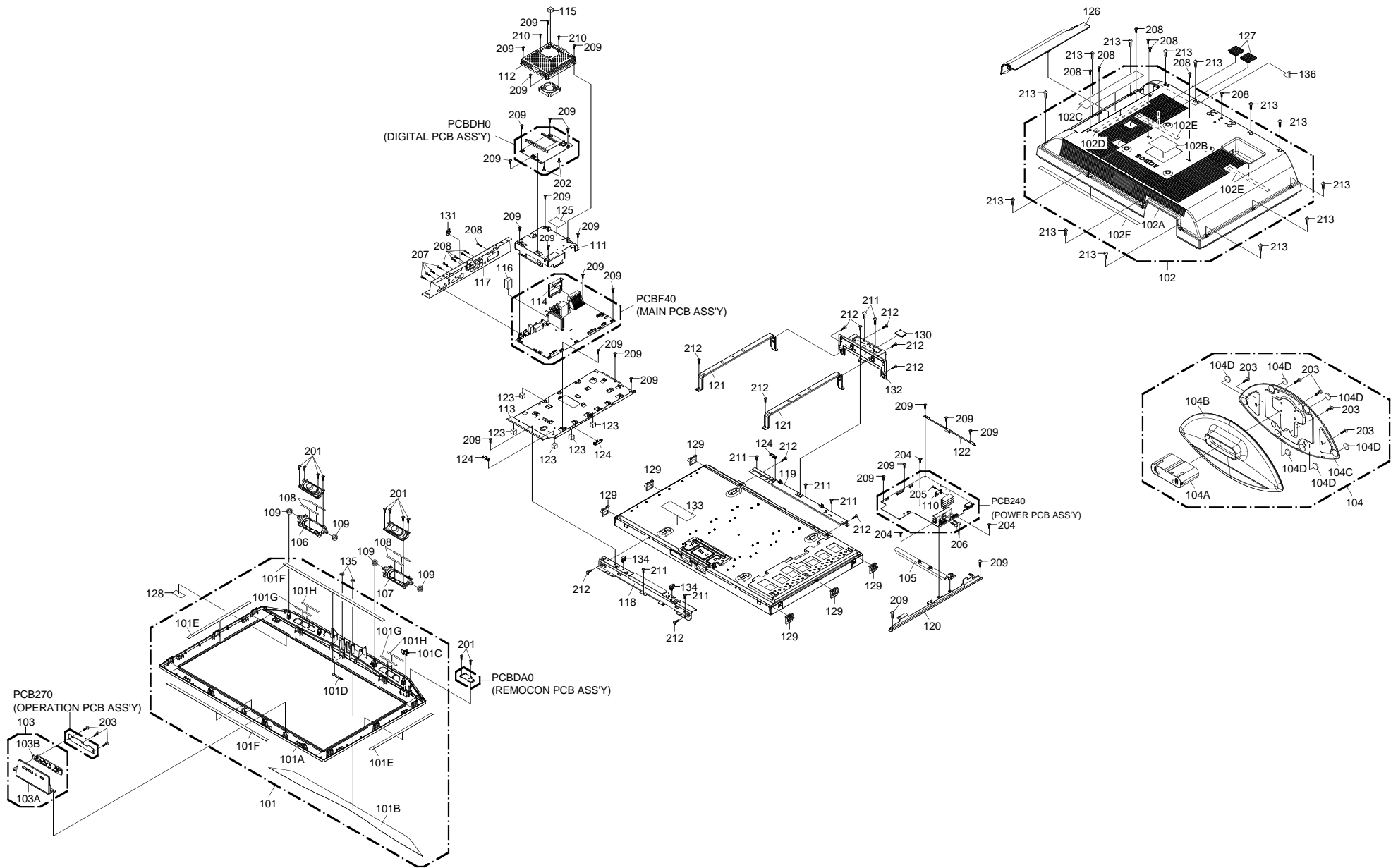
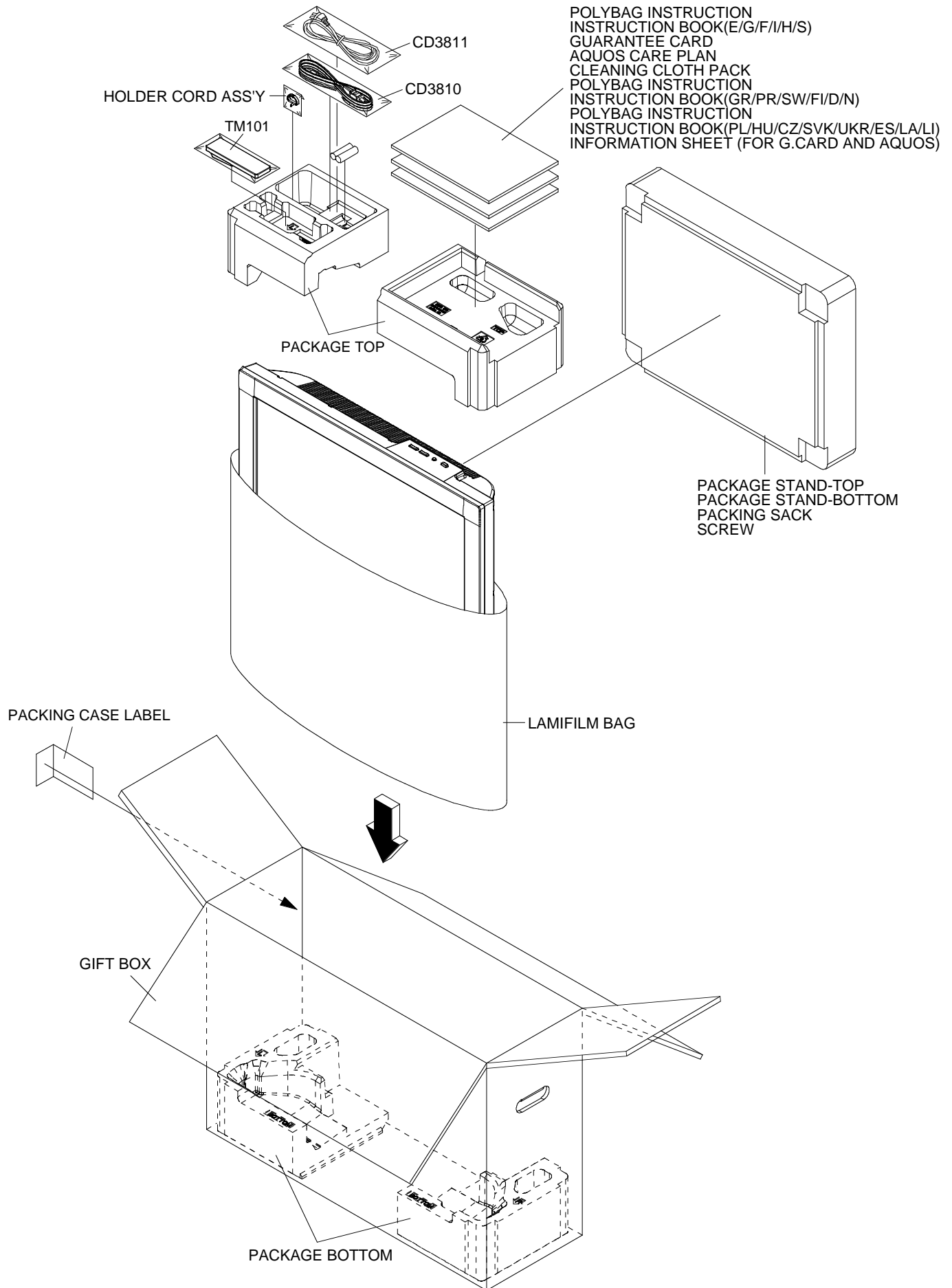


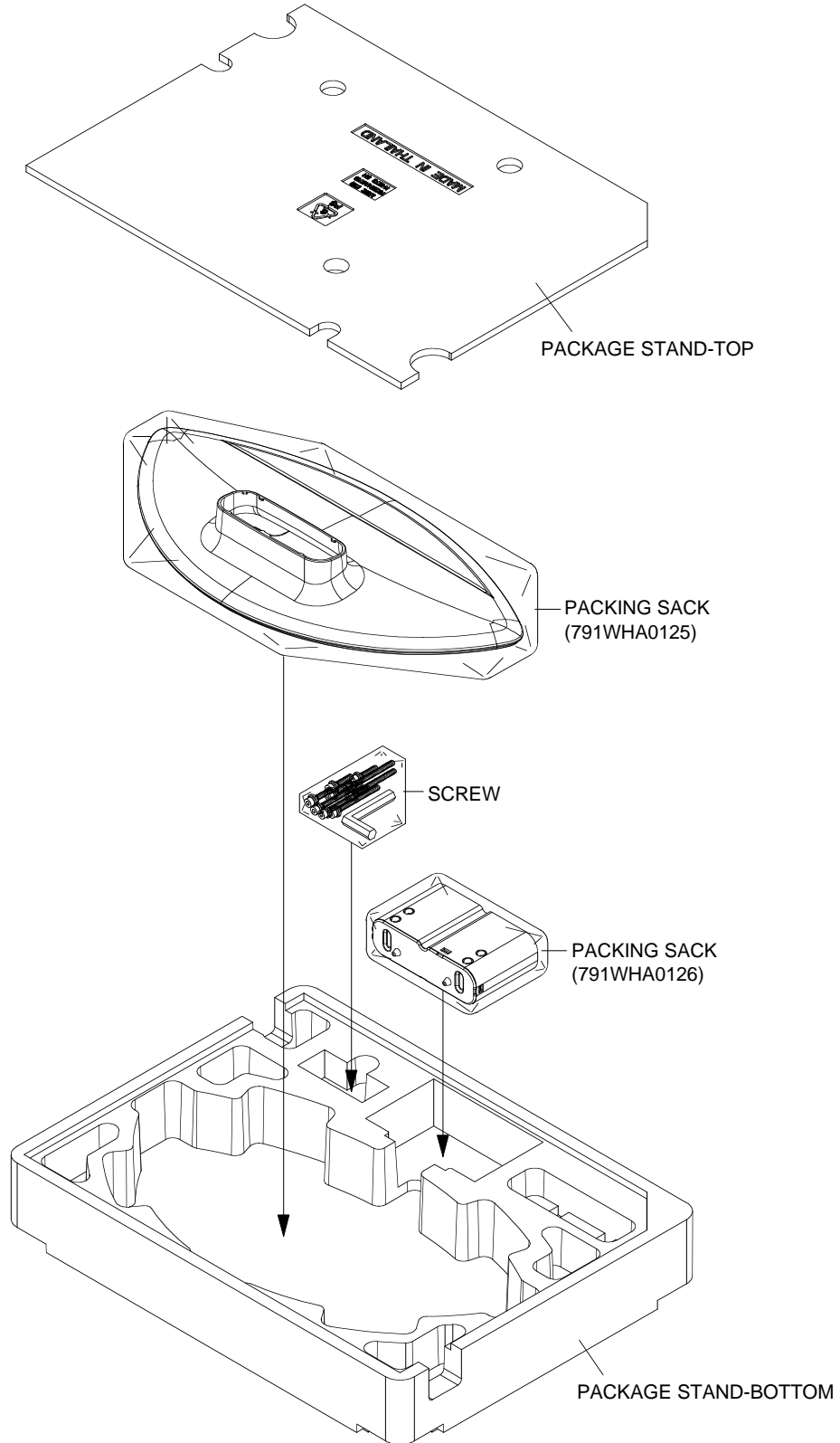
# MECHANICAL EXPLODED VIEW



# MECHANICAL EXPLODED VIEW (PACKING DIAGRAM)



# MECHANICAL EXPLODED VIEW (PACKING DIAGRAM)



## MECHANICAL REPLACEMENT PARTS LIST

REF. NO.	PART NO.	DESCRIPTION	CODE
101	9JD7A7010298A	FRONT CABI ASS'Y	
101A	9JD701WPA1495	CABINET FRONT	
101B	9JD702WNB0002	SHEET SPEAKER	
101C	9JD713WPA0415	GLASS LED	
101D	9JD7235270040	BADGE BRAND	
101E	9JD800WQ0A092	FELT SHEET	
101F	9JD800WQ00102	FELT SHEET	9x730xT0.5
101G	9JD800WQ00127	FELT SHEET	
101H	9JD800WQ00132	FELT SHEET	
102	9JD7A7020132A	BACK CABI ASS'Y	
102A	9JD702WPA1295	CABINET BACK	
102B	9JD7225270046	SHEET RATING	
102C	9JD7230008382	SHEET JACK	
102D	9JD800WFA0124	CUSHION	90x14xT1
102E	9JD800WQ0A108	FELT SHEET	
102F	9JD800WQ00114	FELT SHEET	
103	9JD7A7110024A	PLATE BUTTON ASS'Y	
103A	9JD711WPD0732	PLATE BUTTON	
103B	9JD735WPB0371	BUTTON FRAME	
104	9JD7A7040042A	STAND ASS'Y	
104A	9JD7A7640006A	FRAME STAND ASS'Y	
104B	9JD704WPA0078	STAND	
104C	9JD761WSA0465	ANGLE STAND	
104D	9JD800WFA0120	CUSHION LEG	
105	9JD7A7050006A	HOLDER PCB ASS'Y	
106	9JD761WPA0473	HOLDER SPEAKER-L	
107	9JD761WPA0474	HOLDER SPEAKER-R	
108	9JD800WQ00127	FELT SHEET	
109	9JD800WR00084	DAMPER SPEAKER	
110	9JD761WSA0459	SHIELD IC	
111	9JD752WSA0653	SHIELD SCALER	
112	9JD752WSA0677	SHIELD DIGITAL	
113	9JD761WSA0504	ANGLE PCB-2	
114	9JD761WSA0432	SHIELD 21PIN	
115	9JD8965TS1010	CUSHION	65TS10-10(10x10x25)
116	9JD8965TS2010	CUSHION	W8/H20/L10
117	9JD761WSB0060	PLATE JACK	
118	9JD761WSA0467	ANGLE LCD TOP	
119	9JD761WSA0468	ANGLE LCD BOTTOM	
120	9JD761WSA0469	ANGLE PCB-1	
121	9JD761WSA0472	ANGLE MAIN	
122	9JD761WSA0538	ANGLE PCB-3	
123	9JD8965TS1210	CUSHION	W10/H12/L10
124	9JD899RFC21V0	HOLDER CORD	
125	9JD7250000607	SHEET PE	
126	9JD702WPA1296	COVER BACK	
127	9JD706WPA0029	COVER CONNECTOR	
128	9JD7230008367	POP LABEL	
129	9JD761WPA0476	HOLDER PANEL	
130	9JD761WPA0477	COVER HINGE	
131	9JD761WPA0489	COVER TUNER	
132	9JD761WSA0466	ANGLE HINGE	
133	9JD800WQ00134	FELT SHEET	40x60xT0.5
134	9JD899RLWC2SV	HOLDER WIRE	
135	9JD800WB0A007	FIBER WASHER	
136	9JD800JFA0048	CUSHION	

## MECHANICAL REPLACEMENT PARTS LIST

REF. NO.	PART NO.	DESCRIPTION	CODE
201	9JD8110630A0U	SCREW TAP TITE(P) BRAZIER	3x10
202	9JD8102220A0U	SCREW,BIND	M2x10
203	9JD811063080U	SCREW TAP TITE(P) BRAZIER	3x8
204	9JD8171130A0U	SCREW TAP TITE(B) WASHER12	3x10
205	9JD810763080U	SCREW TAP TITE(S) BRAZIER	3x8
206	9JD8109130A0U	SCREW TAP TITE(B) WH7	3x10
207	9JD810213080S	SCREW PAN	M3x8
208	9JD810923080S	SCREW TAP TITE(B) BIND	3x8
209	9JD810923080U	SCREW TAP TITE(B) BIND	3x8
210	9JD811022680U	SCREW TAP TITE(P) BIND	2.6x8
211	9JD8117540A0U	SCREW TAPPING(B0) TRUSS	4x10
212	9JD810A14080U	SCREW WASHER(A)	M4x8
213	9JD8110230B5S	SCREW TAP TITE(P) BIND	3x25
214	9JD8110K3080U	SCREW TAP TITE(P) LAMI HEAD	3x8
---	9JD7235270054	PACKING CASE LABEL	
---	9JD791WHA0125	PACKING SACK	
---	9JD791WHA0126	PACKING SACK	
---	9JD791WHAA018	LAMIFILM BAG	
---	9JD792PHA0009	PACKAGE TOP	
---	9JD792PHA0010	PACKAGE BOTTOM	
---	9JD792WHA0716	PACKAGE STAND TOP	
---	9JD792WHA0717	PACKAGE STAND BOTTOM	
---	9JD793PCD0007	GIFT BOX	
---	9JD7A7360001A	HOLDER CORD ASS'Y	
---	9JD89001122A2	SCREW	
---	9JD890CCOR002	CLEANING CLOTH PACK	
---	9JD J32A0101A	INSTRUCTION BOOK(E/G/F/I/H/S)	
---	9JD J32A0102A	GUARANTEE CARD	
---	9JD J32A0110A	INSTRUCTION BOOK(GR/PR/SW/FI/D/N)	
---	9JD J32A0111A	INST BOOK(PL/HU/CZ/SVK/UKR/ES/LA/LI)	
---	9JD J32A0119A	AQUOS CARE PLAN	
---	9JD J32A0129A	INFORMATION SHEET(FOR G.CARD AND AQUOS)	
---	9JD JA4PD100	POLYBAG,INSTRUCTION	
---	9JD JA4PD400	POLYBAG,INSTRUCTION	

# ELECTRIC REPLACEMENT PARTS LIST

REF. NO.	PART NO.	DESCRIPTION	CODE
<b>REMOCON PCB ASS'Y</b>			
*** PCB ***			
PCBDA0	9JDA32A01EDA0L	REMOCON PCB ASS'Y	CEF275A
*** DIODES ***			
D2201	9JD0021E9Q010	LED	LTL-1BEFJ-002A
*** CONNECTORS ***			
CD4301	9JD06CU256201	CORD CONNECTOR	CU256201
CP2201	9JD069S250639	CONNECTOR PCB SIDE	A2001WR2-5P
*** OTHERS ***			
OS2201	9JD077A033001	REMOTE RECEIVER	ROM-V338TAO
<b>DIGITAL PCB ASS'Y</b>			
*** PCB ***			
PCBDH0	9JDA32A01EDH0L	DIGITAL PCB ASS'Y	CEF243A
*** DIODES ***			
D2402	9JDDD7R20S300	DIODE SCHOTTKY BARRIER	ER RB520S-30-TE61
D6401	9JDDD7R20S300	DIODE SCHOTTKY BARRIER	ER RB520S-30-TE61
D6402	9JDDD7R20S300	DIODE SCHOTTKY BARRIER	ER RB520S-30-TE61
D6403	9JDD28R1QS040	DIODE	EC31QS04-TE12L
	9JDD4CRSK34A0	DIODE SCHOTTKY	SK34A
D6404	9JDD28R1QS040	DIODE	EC31QS04-TE12L
	9JDD4CRSK34A0	DIODE SCHOTTKY	SK34A
D6405	9JDD28R1QS040	DIODE	EC31QS04-TE12L
	9JDD4CRSK34A0	DIODE SCHOTTKY	SK34A
D6406	9JDD28R1QS040	DIODE	EC31QS04-TE12L
	9JDD4CRSK34A0	DIODE SCHOTTKY	SK34A
D6407	9JDDD7R20S300	DIODE SCHOTTKY BARRIER	RB520S-30-TE61
D6408	9JDD28R1QS040	DIODE	EC31QS04-TE12L
	9JDD4CRSK34A0	DIODE SCHOTTKY	SK34A
D6409	9JDDD7R20S300	DIODE SCHOTTKY BARRIER	RB520S-30-TE61
D6410	9JDD28R1QS040	DIODE	EC31QS04-TE12L
	9JDD4CRSK34A0	DIODE SCHOTTKY	SK34A
D6411	9JDDD7R20S300	DIODE SCHOTTKY BARRIER	RB520S-30-TE61
D6412	9JDDD7R20S300	DIODE SCHOTTKY BARRIER	RB520S-30-TE61
D6413	9JDD28R1QS040	DIODE	EC31QS04-TE12L
	9JDD4CRSK34A0	DIODE SCHOTTKY	SK34A
*** ICS ***			
IC2401	9JDI5PK051050	IC	STM5105ALB
IC2402	9JDI9UF032310	IC	PST3231NR
IC2403	9JDICLJ022ET5	IC	HY5DU561622ETP-D43
IC2404	9JDS32A01EF01	MEMORY DATA	SST39VF1601-70-4C-EKE
IC2409	9JDI5PJ0064W0	IC	M24C64WMN6TP
IC3001	9JDI55F045FT0	IC	TC74LCX245FT(EL)
IC3002	9JDI55J0X2440	IC	TC74LCX244FT(EL,K)
IC3003	9JDI55J0X2440	IC	TC74LCX244FT(EL,K)
IC3004	9JDI55J0X2440	IC	TC74LCX244FT(EL,K)
IC3005	9JDI55J0X2440	IC	TC74LCX244FT(EL,K)
IC3006	9JDI55J0CX020	IC	TC74LCX02FT(EL)
IC3007	9JDI55F0125F0	IC	TC7SH125FU(TE85L,F
IC4001	9JDI5PK003620	IC	STV0362
△ IC6401	9JDI07F078200	IC	BD7820FP-E2
△ IC6402	9JDI07F078200	IC	BD7820FP-E2
△ IC6403	9JDI07F078200	IC	BD7820FP-E2
△ IC6404	9JDI07F078200	IC	BD7820FP-E2
△ IC6405	9JDI07F078200	IC	BD7820FP-E2
IC6406	9JDI0WF0H73C0	IC	TSH73CDT
△ IC6407	9JDI07F078200	IC	BD7820FP-E2

# ELECTRIC REPLACEMENT PARTS LIST

## \*\*\* TRANSISTORS \*\*\*

Q2401	9JDTAAA1504SY	TRANSISTOR SILICON	KTA1504S_Y_RTK
Q3002	9JDTCAA3875SY	TRANSISTOR SILICON	KTC3875S_Y_RTK
Q3003	9JDTCAA3875SY	TRANSISTOR SILICON	KTC3875S_Y_RTK
Q3004	9JDTAAA01664Y	TRANSISTOR SILICON	KTA1664-Y-RTF/P

## \*\*\* COILS \*\*\*

B2402	9JD024HC56005	CORE,BEADS	FCM1608CF-600T06
B2403	9JD024HC56005	CORE,BEADS	FCM1608CF-600T06
B2404	9JD024HC56005	CORE,BEADS	FCM1608CF-600T06
B2405	9JD024HC56005	CORE,BEADS	FCM1608CF-600T06
B2406	9JD024HC56005	CORE,BEADS	FCM1608CF-600T06
B3001	9JD024HC56005	CORE,BEADS	FCM1608CF-600T06
B3002	9JD024HC56005	CORE,BEADS	FCM1608CF-600T06
B4001	9JD024HC56005	CORE,BEADS	FCM1608CF-600T06
B4002	9JD024HC56005	CORE,BEADS	FCM1608CF-600T06
B4003	9JD024HC56005	CORE,BEADS	FCM1608CF-600T06
B6401	9JD024HC51023	CORE,BEADS	FCM1608KF-102T02
B6402	9JD024HC51023	CORE,BEADS	FCM1608KF-102T02
B6403	9JD024HC56005	CORE,BEADS	FCM1608CF-600T06
B6404	9JD024HC51023	CORE,BEADS	FCM1608KF-102T02
B6405	9JD024HC51023	CORE,BEADS	FCM1608KF-102T02
B6406	9JD024HC51023	CORE,BEADS	FCM1608KF-102T02
B6407	9JD024HC51023	CORE,BEADS	FCM1608KF-102T02
B6408	9JD024HC51023	CORE,BEADS	FCM1608KF-102T02
B6409	9JD024HC51023	CORE,BEADS	FCM1608KF-102T02
B6410	9JD024HC51023	CORE,BEADS	FCM1608KF-102T02
B6411	9JD024HC51023	CORE,BEADS	FCM1608KF-102T02

L2401	9JD0216SD2R2J	COIL	2.2 UH
L2402	9JD0216SD2R2J	COIL	2.2 UH
L2403	9JD0216SD2R2J	COIL	2.2 UH
L2404	9JD0216SD2R2J	COIL	2.2 UH
L3001	9JD0216SD2R2J	COIL	2.2 UH
L3002	9JD0216SD2R2J	COIL	2.2 UH
L4001	9JD0216SD2R2J	COIL	2.2 UH
L4002	9JD0216SD2R2J	COIL	2.2 UH
L4004	9JD0216SD2R2J	COIL	2.2 UH
L6401	9JD0216SD100J	COIL	10 UH
L6406	9JD0216SD2R2J	COIL	2.2 UH
L6408	9JD0216SD8R2J	COIL	8.2 UH
L6409	9JD0216SD4R7J	COIL	4.7 UH
L6410	9JD0216SD4R7J	COIL	4.7 UH

## \*\*\* JACKS \*\*\*

CP3002	9JD063M800002	HOLDER,IC	30_5027_000_102_000+
--------	---------------	-----------	----------------------

## \*\*\* CONNECTORS \*\*\*

CP2401	9JD069S250679	CONNECTOR PCB SIDE	A2006WR0-2X5P
CP2402	9JD069S250629	CONNECTOR PCB SIDE	A2001WV2-5P
CP3001	9JD069EN68020	CONNECTOR PCB SIDE	36_5027_068_130_831+
CP6401	9JD06972UT018	CONNECTOR PCB SIDE	125622330K3

## \*\*\* CRYSTAL & CERAMIC OSCILLATORS \*\*\*

X2401	9JD100GT02720	CRYSTAL	B27000C005
X4001	9JD100GT02720	CRYSTAL	B27000C005

## \*\*\* NETWORKS \*\*\*

NR2401	9JD110P4560M5	R,NETWORK	4D02WGJ0560TCE
NR2402	9JD110P4560M5	R,NETWORK	4D02WGJ0560TCE
NR2403	9JD110P4560M5	R,NETWORK	4D02WGJ0560TCE
NR2404	9JD110P4560M5	R,NETWORK	4D02WGJ0560TCE
NR2405	9JD110P4560M5	R,NETWORK	4D02WGJ0560TCE
NR2406	9JD110P4560M5	R,NETWORK	4D02WGJ0560TCE
NR2407	9JD110P4560M5	R,NETWORK	4D02WGJ0560TCE
NR2408	9JD110P4000M5	R,NETWORK	4D02WGJ0000TCE
NR2409	9JD110P4000M5	R,NETWORK	4D02WGJ0000TCE
NR2410	9JD110P4000M5	R,NETWORK	4D02WGJ0000TCE
NR2411	9JD110P4000M5	R,NETWORK	4D02WGJ0000TCE

# ELECTRIC REPLACEMENT PARTS LIST

NR2412	9JD110P4000M5	R,NETWORK	4D02WGJ0000TCE
NR2413	9JD110P4000M5	R,NETWORK	4D02WGJ0000TCE
NR2414	9JD110P4000M5	R,NETWORK	4D02WGJ0000TCE
NR2415	9JD110P4000M5	R,NETWORK	4D02WGJ0000TCE
NR2416	9JD110P4000M5	R,NETWORK	4D02WGJ0000TCE
NR2417	9JD110P4000M5	R,NETWORK	4D02WGJ0000TCE
NR2418	9JD110P4470M5	R,NETWORK	4D02WGJ0470TCE
NR2419	9JD110P4470M5	R,NETWORK	4D02WGJ0470TCE
NR2420	9JD110P4560M5	R,NETWORK	4D02WGJ0560TCE
NR2421	9JD110P4560M5	R,NETWORK	4D02WGJ0560TCE
NR2422	9JD110P4560M5	R,NETWORK	4D02WGJ0560TCE
NR3001	9JD110P4470M5	R,NETWORK	4D02WGJ0470TCE
NR3002	9JD110P4470M5	R,NETWORK	4D02WGJ0470TCE
NR3003	9JD110P4470M5	R,NETWORK	4D02WGJ0470TCE
NR3004	9JD110P4470M5	R,NETWORK	4D02WGJ0470TCE
NR3005	9JD110P4470M5	R,NETWORK	4D02WGJ0470TCE
NR3006	9JD110P4470M5	R,NETWORK	4D02WGJ0470TCE
NR3007	9JD110P4470M5	R,NETWORK	4D02WGJ0470TCE
NR3008	9JD110P4470M5	R,NETWORK	4D02WGJ0470TCE
NR3009	9JD110P4470M5	R,NETWORK	4D02WGJ0470TCE
NR3010	9JD110P4470M5	R,NETWORK	4D02WGJ0470TCE
NR3011	9JD110P4470M5	R,NETWORK	4D02WGJ0470TCE
NR3012	9JD110P4470M5	R,NETWORK	4D02WGJ0470TCE

\*\*\* OTHERS \*\*\*

SH2401	9JD126D000044	TERMINAL PIN	YQ-36	or
	9JD126R000038	TERMINAL PIN	TP00370-21	
SH2402	9JD126D000044	TERMINAL PIN	YQ-36	or
	9JD126R000038	TERMINAL PIN	TP00370-21	
SH2403	9JD126D000044	TERMINAL PIN	YQ-36	or
	9JD126R000038	TERMINAL PIN	TP00370-21	
SH2404	9JD126D000044	TERMINAL PIN	YQ-36	or
	9JD126R000038	TERMINAL PIN	TP00370-21	

### MAIN PCB ASS'Y

\*\*\* PCB \*\*\*

PCBF40	9JDA32A01EF40L	MAIN PCB ASS'Y	CMF111A
--------	----------------	----------------	---------

\*\*\* RESISTORS \*\*\*

△ R3808	9JDR65584470J	R,FUSE	47 OHM 1/4W
---------	---------------	--------	-------------

\*\*\* CAPACITORS \*\*\*

C376	9JDE7EYF3102M	CE	1000 UF 25V	or
	9JDE61FF3102D	CE	1000 UF 25V	
C384	9JDE7EYF3102M	CE	1000 UF 25V	or
	9JDE61FF3102D	CE	1000 UF 25V	
C3201	9JDE7EYF2222M	CE	2200 UF 16V	

\*\*\* DIODES \*\*\*

D101	9JDDE7RB1202B	DIODE ZENER	UDZS12B TE-177
D102	9JDDE7RB1202B	DIODE ZENER	UDZS12B TE-177
D103	9JDDE7RB1202B	DIODE ZENER	UDZS12B TE-177
D104	9JDDE7RB1202B	DIODE ZENER	UDZS12B TE-177
D105	9JDDE7RB5R62B	DIODE ZENER	UDZS5.6B TE-17
D107	9JDDD7R20S300	DIODE SCHOTTKY BARRIER	RB520S-30-TE61
D108	9JDDE7RB5R62B	DIODE ZENER	UDZS5.6B TE-17
D301	9JDD28R11FS20	DIODE	EC11FS2-TE12L
D802	9JDDE7RB5R62B	DIODE ZENER	UDZS5.6B TE-17
D803	9JDDE7RB5R62B	DIODE ZENER	UDZS5.6B TE-17
D804	9JDDD7R20S300	DIODE SCHOTTKY BARRIER	RB520S-30-TE61
D805	9JDDD7R20S300	DIODE SCHOTTKY BARRIER	RB520S-30-TE61
D806	9JDDE7RB5R62B	DIODE ZENER	UDZS5.6B TE-17
D807	9JDDE7RB5R62B	DIODE ZENER	UDZS5.6B TE-17
D808	9JDDE7RB5R62B	DIODE ZENER	UDZS5.6B TE-17
D809	9JDDE7RB5R62B	DIODE ZENER	UDZS5.6B TE-17
D810	9JDDE7RB5R62B	DIODE ZENER	UDZS5.6B TE-17
D811	9JDDE7RB5R62B	DIODE ZENER	UDZS5.6B TE-17
D812	9JDDE7RB5R62B	DIODE ZENER	UDZS5.6B TE-17
D813	9JDDE7RB5R62B	DIODE ZENER	UDZS5.6B TE-17



# ELECTRIC REPLACEMENT PARTS LIST

D814	9JDDE7RB5R62B	DIODE ZENER	UDZS5.6B TE-17	
D818	9JDDE7RB5R62B	DIODE ZENER	UDZS5.6B TE-17	
D3201	9JDDD7RB051L0	DIODE SCHOTTKY	RB051L-40_TE25	
D3202	9JDD28R1QS040	DIODE	EC31QS04-TE12L	or
	9JDD4CRSK34A0	DIODE SCHOTTKY	SK34A	
D3204	9JDD28R1QS040	DIODE	EC31QS04-TE12L	or
	9JDD4CRSK34A0	DIODE SCHOTTKY	SK34A	
D3205	9JDD28R1QS040	DIODE	EC31QS04-TE12L	or
	9JDD4CRSK34A0	DIODE SCHOTTKY	SK34A	
D3209	9JDD28R1QS040	DIODE	EC31QS04-TE12L	or
	9JDD4CRSK34A0	DIODE SCHOTTKY	SK34A	
D3210	9JDD28R1QS040	DIODE	EC31QS04-TE12L	or
	9JDD4CRSK34A0	DIODE SCHOTTKY	SK34A	
D3600	9JDDD7R60L400	DIODE SCHOTTKY	RB160L-40-TE25	
D3601	9JDD77R1A1R10	DIODE VARISTA	AVRL161A1R1NT	
D3602	9JDDE7RB5R62B	DIODE ZENER	UDZS5.6B TE-17	
D3603	9JDD77R1A1R10	DIODE VARISTA	AVRL161A1R1NT	
D3604	9JDDD7R60L400	DIODE SCHOTTKY	RB160L-40-TE25	
D3605	9JDDD7R60L400	DIODE SCHOTTKY	RB160L-40-TE25	
D3626	9JDD77R1A1R10	DIODE VARISTA	AVRL161A1R1NT	
D3627	9JDD77R1A1R10	DIODE VARISTA	AVRL161A1R1NT	
D3628	9JDD28R1QS040	DIODE	EC31QS04-TE12L	or
	9JDD4CRSK34A0	DIODE SCHOTTKY	SK34A	
D3629	9JDD28R1QS040	DIODE	EC31QS04-TE12L	or
	9JDD4CRSK34A0	DIODE SCHOTTKY	SK34A	
D3630	9JDDE7RB5R62B	DIODE ZENER	UDZS5.6B TE-17	
D3804	9JDD4AT01H3E0	DIODE RECTIFIER	1H3-E	
D4209	9JDDE7RB6R82B	DIODE ZENER	UDZS6.8B TE-17	
D4210	9JDDE7RB4R72B	DIODE ZENER	UDZS4.7B TE-17	
D4211	9JDDE7RB4R72B	DIODE ZENER	UDZS4.7B TE-17	
D4212	9JDDE7RB1202B	DIODE ZENER	UDZS12B TE-177	
D4213	9JDDE7RB1202B	DIODE ZENER	UDZS12B TE-177	
D4214	9JDDE7RB1202B	DIODE ZENER	UDZS12B TE-177	
D4215	9JDDE7RB1202B	DIODE ZENER	UDZS12B TE-177	
D4216	9JDDE7RB6R82B	DIODE ZENER	UDZS6.8B TE-17	
D4217	9JDDE7RB6R82B	DIODE ZENER	UDZS6.8B TE-17	
D4218	9JDDE7RB6R82B	DIODE ZENER	UDZS6.8B TE-17	
D4219	9JDDE7RB6R82B	DIODE ZENER	UDZS6.8B TE-17	
D4220	9JDDE7RB6R82B	DIODE ZENER	UDZS6.8B TE-17	
D4221	9JDDGERMA1110	DIODE SILICON	MA111-(TX)	or
	9JDDD7R0S3550	DIODE SILICON	1SS355 TE-17	
D4222	9JDDE7RB1202B	DIODE ZENER	UDZS12B TE-177	
D4223	9JDDE7RB1202B	DIODE ZENER	UDZS12B TE-177	
D4235	9JDDE7RB1202B	DIODE ZENER	UDZS12B TE-177	
D4236	9JDDE7RB1202B	DIODE ZENER	UDZS12B TE-177	
D4237	9JDDE7RB1202B	DIODE ZENER	UDZS12B TE-177	
D4238	9JDDE7RB1202B	DIODE ZENER	UDZS12B TE-177	
D4239	9JDDE7RB1202B	DIODE ZENER	UDZS12B TE-177	
D4240	9JDDE7RB1202B	DIODE ZENER	UDZS12B TE-177	
D4241	9JDDD7R0S3550	DIODE SILICON	1SS355 TE-17	
D4242	9JDDD7R0S3550	DIODE SILICON	1SS355 TE-17	
D4243	9JDDD7R0S3550	DIODE SILICON	1SS355 TE-17	
D4244	9JDDD7R0S3550	DIODE SILICON	1SS355 TE-17	
D4245	9JDDD7R0S3550	DIODE SILICON	1SS355 TE-17	
D4246	9JDDD7R0S3550	DIODE SILICON	1SS355 TE-17	
D4247	9JDDE7RB1202B	DIODE ZENER	UDZS12B TE-177	
D4248	9JDDE7RB1202B	DIODE ZENER	UDZS12B TE-177	
D4249	9JDDE7RB1202B	DIODE ZENER	UDZS12B TE-177	
D4250	9JDDE7RB1202B	DIODE ZENER	UDZS12B TE-177	
D4251	9JDDE7RB1202B	DIODE ZENER	UDZS12B TE-177	
D4252	9JDDE7RB1202B	DIODE ZENER	UDZS12B TE-177	
D4253	9JDDE7RB1202B	DIODE ZENER	UDZS12B TE-177	
D4254	9JDDD7R0S3550	DIODE SILICON	1SS355 TE-17	
D4255	9JDDD7R0S3550	DIODE SILICON	1SS355 TE-17	
D4256	9JDDD7R0S3550	DIODE SILICON	1SS355 TE-17	
D4257	9JDDD7R0S3550	DIODE SILICON	1SS355 TE-17	
D4258	9JDDD7R0S3550	DIODE SILICON	1SS355 TE-17	
D4259	9JDDD7R0S3550	DIODE SILICON	1SS355 TE-17	
D4303	9JDDE7RB5R62B	DIODE ZENER	UDZS5.6B TE-17	
D4304	9JDDE7RB5R62B	DIODE ZENER	UDZS5.6B TE-17	
D4305	9JDD1VT001330	DIODE,SILICON	1SS133T-77	
D4310	9JDDD7R60M400	DIODE SCHOTTKY BARRIER	RB160M-40-TR	
D4311	9JDDD7R60M400	DIODE SCHOTTKY BARRIER	RB160M-40-TR	
D4313	9JDDE7RB5R62B	DIODE ZENER	UDZS5.6B TE-17	
D6001	9JDD1VT001330	DIODE,SILICON	1SS133T-77	

# ELECTRIC REPLACEMENT PARTS LIST

## \*\*\* ICS \*\*\*

IC101	9JDS32A01EM01	MEMORY DATA	R5F21244SNFP
IC102	9JDICMF032200	IC	ISL83220ECVZ-T
IC105	9JDI9UF032290	IC	PST3229NR
IC300	9JDI0QJP21510	IC	NJM2151AV(Te1)
△ IC301	9JDI0KJP89320	IC	TDA8932T
IC801	9JDS32A01EE03	MEMORY DATA	M24256-BWMN6TP
IC802	9JDI9UF032290	IC	PST3229NR
IC803	9JDS32A01EM02	MEMORY DATA	VCT6973G-FA-B3-000
△ IC3201	9JDI07F0C0WF0	IC	BA00BC0WFP-E2
△ IC3202	9JDI1LF010150	IC	AL1015
△ IC3203	9JDI07F078200	IC	BD7820FP-E2
△ IC3204	9JDI07F078200	IC	BD7820FP-E2
△ IC3205	9JDI1KF98D050	IC	KIA78D05F
△ IC3601	9JDI07F078200	IC	BD7820FP-E2
IC3605	9JDIG1F090250	IC	SI9025CTU
IC3606	9JDS32A01EE01	MEMORY DATA	BR24L02F-WE2
IC3609	9JDS32A01EE02	MEMORY DATA	BR24L02F-WE2
△ IC3801	9JDI07F0C0WF0	IC	BA00BC0WFP-E2
IC4201	9JDI0UF015020	IC	MM1502XNRE
IC4202	9JDI0UF015010	IC	MM1501XNRE
IC4203	9JDI0UF015010	IC	MM1501XNRE
IC4204	9JDI0QF025840	IC	NJM2584AM(Te1)
IC4205	9JDI0QF025840	IC	NJM2584AM(Te1)
IC4206	9JDI0UF015010	IC	MM1501XNRE
IC4301	9JDS32A01EE04	MEMORY DATA	24LCS22AT-I/SN
IC4303	9JDI0QF02534V	IC	NJM2534V(Te2)
IC4304	9JDI0QF02534V	IC	NJM2534V(Te2)
IC6001	9JDI0CJ040530	IC	SN74LV4053APWR

## \*\*\* TRANSISTORS \*\*\*

Q101	9JDT2AA5132E0	FET	KTK5132E-RTK/P
Q102	9JDT2AA5132E0	FET	KTK5132E-RTK/P
Q300	9JDTNAAB05003	COMPOUND TRANSISTOR	KRC102SRTK
Q301	9JDTNAAB05003	COMPOUND TRANSISTOR	KRC102SRTK
Q302	9JDTAAA1504SY	TRANSISTOR SILICON	KTA1504S_Y_RTK
Q303	9JDTCAA3875SY	TRANSISTOR SILICON	KTC3875S_Y_RTK
Q304	9JDTCAA3875SY	TRANSISTOR SILICON	KTC3875S_Y_RTK
Q305	9JDTCAA3875SY	TRANSISTOR SILICON	KTC3875S_Y_RTK
Q321	9JDTPAAA05001	COMPOUND TRANSISTOR	KRA101SRTK
Q3200	9JDT77J011320	TRANSISTOR SILICON	2SB1132T100(Q,R)
Q3201	9JDTNAAB05003	COMPOUND TRANSISTOR	KRC102SRTK
△ Q3202	9JDT3M000044	COMPOUND TRANSISTOR	CPH6312-TL-E
Q3205	9JDTAAA01664Y	TRANSISTOR SILICON	KTA1664-Y-RTF/P
Q3206	9JDTNAAB05003	COMPOUND TRANSISTOR	KRC102SRTK
Q3601	9JDTCAA3875SY	TRANSISTOR SILICON	KTC3875S_Y_RTK
Q3602	9JDTCAA3875SY	TRANSISTOR SILICON	KTC3875S_Y_RTK
Q3603	9JDT2AA5132E0	FET	KTK5132E-RTK/P
Q3604	9JDT2AA5132E0	FET	KTK5132E-RTK/P
Q3605	9JDT2AA5132E0	FET	KTK5132E-RTK/P
Q3615	9JDT2AA5132E0	FET	KTK5132E-RTK/P
Q3616	9JDT2AA5132E0	FET	KTK5132E-RTK/P
Q3617	9JDT2AA5132E0	FET	KTK5132E-RTK/P
Q3618	9JDT2AA5132E0	FET	KTK5132E-RTK/P
Q3801	9JDTCAA3875SY	TRANSISTOR SILICON	KTC3875S_Y_RTK
Q3802	9JDTAAA01664Y	TRANSISTOR SILICON	KTA1664-Y-RTF/P
Q3803	9JDTCAA3875SY	TRANSISTOR SILICON	KTC3875S_Y_RTK
Q3804	9JDTNAAB05003	COMPOUND TRANSISTOR	KRC102SRTK
Q3805	9JDTAAA1504SY	TRANSISTOR SILICON	KTA1504S_Y_RTK
Q3806	9JDTAAT01281Y	TRANSISTOR SILICON	KTA1281_Y
Q3807	9JDTNAAB05003	COMPOUND TRANSISTOR	KRC102SRTK
Q4201	9JDTAAA1504SY	TRANSISTOR SILICON	KTA1504S_Y_RTK
Q4203	9JDTAAA1504SY	TRANSISTOR SILICON	KTA1504S_Y_RTK
Q4204	9JDTCAA3875SY	TRANSISTOR SILICON	KTC3875S_Y_RTK
Q4205	9JDTCAA3875SY	TRANSISTOR SILICON	KTC3875S_Y_RTK
Q4207	9JDTCAA3875SY	TRANSISTOR SILICON	KTC3875S_Y_RTK
Q4208	9JDTCAA3875SY	TRANSISTOR SILICON	KTC3875S_Y_RTK
Q4209	9JDTCAA3875SY	TRANSISTOR SILICON	KTC3875S_Y_RTK
Q4210	9JDTCAA3875SY	TRANSISTOR SILICON	KTC3875S_Y_RTK
Q4214	9JDTAAA1504SY	TRANSISTOR SILICON	KTA1504S_Y_RTK
Q4216	9JDTCAA3875SY	TRANSISTOR SILICON	KTC3875S_Y_RTK
Q4217	9JDTPAAC05002	COMPOUND TRANSISTOR	KRA103SRTK

# ELECTRIC REPLACEMENT PARTS LIST

Q4218	9JDTNAAB05003	COMPOUND TRANSISTOR	KRC102SRTK
Q4221	9JDTAAA1504SY	TRANSISTOR SILICON	KTA1504S_Y_RTK
Q4222	9JDTAAA1504SY	TRANSISTOR SILICON	KTA1504S_Y_RTK
Q4223	9JDTAAA1504SY	TRANSISTOR SILICON	KTA1504S_Y_RTK
Q4224	9JDTCAA3875SY	TRANSISTOR SILICON	KTC3875S_Y_RTK
Q4303	9JDTCAA3875SY	TRANSISTOR SILICON	KTC3875S_Y_RTK
Q4304	9JDTCAA3875SY	TRANSISTOR SILICON	KTC3875S_Y_RTK
Q4305	9JDTPAAB05001	COMPOUND TRANSISTOR	KRA102SRTK
Q4306	9JDTCAA3875SY	TRANSISTOR SILICON	KTC3875S_Y_RTK
Q4307	9JDTCAA3875SY	TRANSISTOR SILICON	KTC3875S_Y_RTK
Q4308	9JDTPAAB05001	COMPOUND TRANSISTOR	KRA102SRTK
Q4309	9JDTNAAB05003	COMPOUND TRANSISTOR	KRC102SRTK
Q4310	9JDTNAAC05002	COMPOUND TRANSISTOR	KRC103SRTK
Q6001	9JDT2AA5132E0	FET	KTK5132E-RTK/P
Q6002	9JDT2AA5132E0	FET	KTK5132E-RTK/P
Q6005	9JDTNAAB05003	COMPOUND TRANSISTOR	KRC102SRTK

\*\*\* COILS \*\*\*

B101	9JD024HC51023	CORE,BEADS	FCM1608KF-102T02	
B102	9JD024HC51023	CORE,BEADS	FCM1608KF-102T02	
B301	9JD024HT03564	CORE,BEADS	W4BRH3.5X6X1.0	
B302	9JD024HT03564	CORE,BEADS	W4BRH3.5X6X1.0	
B303	9JD024HT03564	CORE,BEADS	W4BRH3.5X6X1.0	
B304	9JD024HT03564	CORE,BEADS	W4BRH3.5X6X1.0	
B305	9JD024HC51816	CORE,BEADS	FCM1608KF-181T20	
B306	9JD024HT03564	CORE,BEADS	W4BRH3.5X6X1.0	
B307	9JD024HT03564	CORE,BEADS	W4BRH3.5X6X1.0	
B801	9JD024HC51816	CORE,BEADS	FCM1608KF-181T20	
B802	9JD024HC51816	CORE,BEADS	FCM1608KF-181T20	
B803	9JD024HC51816	CORE,BEADS	FCM1608KF-181T20	
B804	9JD024HC51816	CORE,BEADS	FCM1608KF-181T20	
B805	9JD024HC51816	CORE,BEADS	FCM1608KF-181T20	
B806	9JD024HC51816	CORE,BEADS	FCM1608KF-181T20	
B807	9JD024HC51816	CORE,BEADS	FCM1608KF-181T20	
B808	9JD024HC51816	CORE,BEADS	FCM1608KF-181T20	
B809	9JD024HC51816	CORE,BEADS	FCM1608KF-181T20	
B810	9JD024HC51816	CORE,BEADS	FCM1608KF-181T20	
B811	9JD024HC51816	CORE,BEADS	FCM1608KF-181T20	
B812	9JD024HC51816	CORE,BEADS	FCM1608KF-181T20	
B813	9JD024HC51816	CORE,BEADS	FCM1608KF-181T20	
B817	9JD024HC56005	CORE,BEADS	FCM1608CF-600T06	
B818	9JD024HC51816	CORE,BEADS	FCM1608KF-181T20	
B819	9JD024HC51816	CORE,BEADS	FCM1608KF-181T20	
B3201	9JD024HC51216	CORE,BEADS	FCM1608KF-121T20	
B3601	9JD024HC51816	CORE,BEADS	FCM1608KF-181T20	
B3602	9JD024HC51816	CORE,BEADS	FCM1608KF-181T20	
B3603	9JD024HC51816	CORE,BEADS	FCM1608KF-181T20	
B3604	9JD024HC51816	CORE,BEADS	FCM1608KF-181T20	
B3605	9JD024HC56005	CORE,BEADS	FCM1608CF-600T06	
B3606	9JD024HC51023	CORE,BEADS	FCM1608KF-102T02	
B3608	9JD024HC51023	CORE,BEADS	FCM1608KF-102T02	
B3609	9JD024HC51816	CORE,BEADS	FCM1608KF-181T20	
B3610	9JD024HC51816	CORE,BEADS	FCM1608KF-181T20	
B3613	9JD024HC51816	CORE,BEADS	FCM1608KF-181T20	
B3801	9JD024HT03564	CORE,BEADS	W4BRH3.5X6X1.0	
B4200	9JD024HC56005	CORE,BEADS	FCM1608CF-600T06	
B4203	9JD024HC56013	CORE,BEADS	FCM1608KF-601T02	
B4204	9JD024HC56013	CORE,BEADS	FCM1608KF-601T02	
B4205	9JD024HC56005	CORE,BEADS	FCM1608CF-600T06	
B4206	9JD024HC56005	CORE,BEADS	FCM1608CF-600T06	
B4207	9JD024HC56005	CORE,BEADS	FCM1608CF-600T06	
B4208	9JD024HC56005	CORE,BEADS	FCM1608CF-600T06	
B4209	9JD024HT03563	CORE,BEADS	W4BRH3.5X6X1.0X2	
B4210	9JD024HT03563	CORE,BEADS	W4BRH3.5X6X1.0X2	
B4211	9JD024HT03563	CORE,BEADS	W4BRH3.5X6X1.0X2	
B4212	9JD024HT03563	CORE,BEADS	W4BRH3.5X6X1.0X2	
B4213	9JD024HT03563	CORE,BEADS	W4BRH3.5X6X1.0X2	
B4214	9JD024HC56005	CORE,BEADS	FCM1608CF-600T06	
B4215	9JD024HC53306	CORE,BEADS	FCM1608KF-330T50	or
	9JD024AC5330J	CORE,BEADS	BLM18PG330SN1D	
B4216	9JD024HC53306	CORE,BEADS	FCM1608KF-330T50	or
	9JD024AC5330J	CORE,BEADS	BLM18PG330SN1D	
B4220	9JD024HC53306	CORE,BEADS	FCM1608KF-330T50	or
	9JD024AC5330J	CORE,BEADS	BLM18PG330SN1D	

# ELECTRIC REPLACEMENT PARTS LIST

B4221	9JD024HC53306	CORE,BEADS	HCB1608KF-330T50	or
	9JD024AC5330J	CORE,BEADS	BLM18PG330SN1D	
B4222	9JD024HC53306	CORE,BEADS	HCB1608KF-330T50	or
	9JD024AC5330J	CORE,BEADS	BLM18PG330SN1D	
B4223	9JD024HC53306	CORE,BEADS	HCB1608KF-330T50	
B4224	9JD024HC53306	CORE,BEADS	HCB1608KF-330T50	
B4226	9JD024HC53306	CORE,BEADS	HCB1608KF-330T50	
B4227	9JD024HC53306	CORE,BEADS	HCB1608KF-330T50	
B4228	9JD024NC51021	CORE,BEADS	EBMS160808A102_RDC45	
B4229	9JD024NC51021	CORE,BEADS	EBMS160808A102_RDC45	
B4301	9JD024NC51021	CORE,BEADS	EBMS160808A102_RDC45	
B4302	9JD024NC51021	CORE,BEADS	EBMS160808A102_RDC45	
B4303	9JD024HC56005	CORE,BEADS	FCM1608CF-600T06	
B4304	9JD024HC56005	CORE,BEADS	FCM1608CF-600T06	
B4305	9JD024HC56005	CORE,BEADS	FCM1608CF-600T06	
B4306	9JD024HC51816	CORE,BEADS	HCB1608KF-181T20	
B4307	9JD024HC51816	CORE,BEADS	HCB1608KF-181T20	
B4309	9JD024HC51816	CORE,BEADS	HCB1608KF-181T20	
B4310	9JD024HC56005	CORE,BEADS	FCM1608CF-600T06	
B4311	9JD024HC56005	CORE,BEADS	FCM1608CF-600T06	
B4314	9JD024NC51021	CORE,BEADS	EBMS160808A102_RDC45	
B4315	9JD024NC51021	CORE,BEADS	EBMS160808A102_RDC45	
B4317	9JD024HC51816	CORE,BEADS	HCB1608KF-181T20	
B4318	9JD024HC51816	CORE,BEADS	HCB1608KF-181T20	
B4323	9JD024HC56005	CORE,BEADS	FCM1608CF-600T06	
B4324	9JD024HC51816	CORE,BEADS	HCB1608KF-181T20	
B4325	9JD024HC51816	CORE,BEADS	HCB1608KF-181T20	
B4327	9JD024NC51021	CORE,BEADS	EBMS160808A102_RDC45	
B4328	9JD024NC51021	CORE,BEADS	EBMS160808A102_RDC45	
B6001	9JD024HC56013	CORE,BEADS	FCM1608KF-601T02	
B6003	9JD024HT03563	CORE,BEADS	W4BRH3.5X6X1.0X2	
B7201	9JD024HC51816	CORE,BEADS	HCB1608KF-181T20	
L103	9JD0216SD220J	COIL	22 UH	
L104	9JD0216SD220J	COIL	22 UH	
L300	9JD021U0L220M	COIL	22 UH	or
	9JD02130G220M	COIL	22 UH	
L302	9JD021U0L220M	COIL	22 UH	or
	9JD02130G220M	COIL	22 UH	
L3201	9JD02167E220K	COIL	22 UH	
L3202	9JD021U0L330M	COIL	33 UH	or
	9JD02130G330M	COIL	33 UH	
L3203	9JD02167E220K	COIL	22 UH	
L3601	9JD02D6000068	COIL CHOKE	ACM2012D-900-2P-T00	
L3602	9JD02D6000068	COIL CHOKE	ACM2012D-900-2P-T00	
L3603	9JD02D6000068	COIL CHOKE	ACM2012D-900-2P-T00	
L3604	9JD02D6000068	COIL CHOKE	ACM2012D-900-2P-T00	
L3605	9JD02D6000068	COIL CHOKE	ACM2012D-900-2P-T00	
L3606	9JD02D6000068	COIL CHOKE	ACM2012D-900-2P-T00	
L3607	9JD02D6000068	COIL CHOKE	ACM2012D-900-2P-T00	
L3608	9JD02D6000068	COIL CHOKE	ACM2012D-900-2P-T00	
L4202	9JD021LA6220J	COIL	22 UH	
L4203	9JD021LA6220J	COIL	22 UH	
L4204	9JD021LA6220J	COIL	22 UH	
L4205	9JD021LA6220J	COIL	22 UH	
L4206	9JD021LA6220J	COIL	22 UH	
L4207	9JD021LA6220J	COIL	22 UH	
L4208	9JD021LA6220J	COIL	22 UH	
L4209	9JD0216MA220K	COIL	22 UH	
L4210	9JD0216MA220K	COIL	22 UH	
L4211	9JD021LA6220J	COIL	22 UH	
L4212	9JD021LA6220J	COIL	22 UH	
L4213	9JD021LA6100J	COIL	10 UH	
L4214	9JD021LA6470J	COIL	47 UH	
L4215	9JD0216S81R5M	COIL	1.5 UH	
L4216	9JD0216S81R5M	COIL	1.5 UH	
L4217	9JD021LA6100J	COIL	10 UH	
L4218	9JD0216S81R5M	COIL	1.5 UH	
L4219	9JD021LA6470J	COIL	47 UH	
L4221	9JD021LA6470J	COIL	47 UH	
L4223	9JD021LA6470J	COIL	47 UH	
L4224	9JD0216S91R5M	COIL	1.5 UH	
L4225	9JD021LA6100J	COIL	10 UH	
L4226	9JD021LA6470J	COIL	47 UH	
L4227	9JD021LA6220J	COIL	22 UH	

# ELECTRIC REPLACEMENT PARTS LIST

L4230	9JD0216MA220K	COIL	22 UH
L4231	9JD0216MA220K	COIL	22 UH
L4232	9JD0216S91R5M	COIL	1.5 UH
L4233	9JD021LA6470J	COIL	47 UH
L4305	9JD0216SD220J	COIL	22 UH
L4306	9JD0216SD220J	COIL	22 UH
*** JACKS ***			
CP102	9JD063W100053	JACK	MD24-95V-EC
J4202	9JD060K431033	RCA JACK	AV2-57A03-01
J4203	9JD060R411054	RCA JACK	RCA-349-00D-01
J4204	9JD063Y000089	JACK PLATE	RCA/DIN-501A-00B-03
J4205	9JD060J131021	HEADPHONE JACK	MSJ-035-08D_PC(O87)
J4206	9JD063D000077	SOCKET,21PIN	MRC-021V-27_PC
J4301	9JD060J151001	HEADPHONE JACK	MS J-035-39D_B_PC_LF(O87)
*** CONNECTORS ***			
CP101	9JD069S260629	CONNECTOR PCB SIDE	A2001WV2-6P
CP301	9JD069S140419	CONNECTOR PCB SIDE	A2502WV2-4P
CP802	9JD069S260629	CONNECTOR PCB SIDE	A2001WV2-6P
CP3400	9JD069S220629	CONNECTOR PCB SIDE	A2001WV2-2P
CP3601	9JD0694YJ3018	CONNECTOR PCB SIDE	1903015-3
CP3603	9JD0694YJ3018	CONNECTOR PCB SIDE	1903015-3
CP3801	9JD06977NM020	CONNECTOR PCB SIDE	127301123K2
CP3802	9JD069779M020	CONNECTOR PCB SIDE	127301109K2
CP4301	9JD069S250629	CONNECTOR PCB SIDE	A2001WV2-5P
CP4305	9JD069S240639	CONNECTOR PCB SIDE	A2001WR2-4P
CP6001	9JD06972UM018	CONNECTOR PCB SIDE	TKC-W30P-P1
*** CRYSTAL & CERAMIC OSCILLATORS ***			
X101	9JD100GT01615	CRYSTAL	B16000E007
X801	9JD100DT02007	CRYSTAL	DSX840GA
X3602	9JD100DT02801	CRYSTAL	SMD-49
*** NETWORKS ***			
NR801	9JD110P4470M4	R,NETWORK	4D03WVGJ0470T5E
NR802	9JD110P4470M4	R,NETWORK	4D03WVGJ0470T5E
NR3601	9JD110P4330M4	R,NETWORK	4D03WVGJ0330T5E
NR3602	9JD110P4330M4	R,NETWORK	4D03WVGJ0330T5E
NR3603	9JD110P4330M4	R,NETWORK	4D03WVGJ0330T5E
NR3604	9JD110P4330M4	R,NETWORK	4D03WVGJ0330T5E
NR3605	9JD110P4330M4	R,NETWORK	4D03WVGJ0330T5E
NR3606	9JD110P4330M4	R,NETWORK	4D03WVGJ0330T5E
*** OTHERS ***			
CP4302	9JD06G2S21501	CONNECTOR PCB SIDE	D229FD015G107BY
CP7201	9JD06G3VWT01A	CONNECTOR PCB SIDE	20389-Y30E
SH4301	9JD126D000044	TERMINAL PIN	YQ-36
SH4302	9JD126D000044	TERMINAL PIN	YQ-36
SH4303	9JD126D000044	TERMINAL PIN	YQ-36
SH4304	9JD126D000044	TERMINAL PIN	YQ-36
SH4305	9JD126D000044	TERMINAL PIN	YQ-36
SH4306	9JD126D000044	TERMINAL PIN	YQ-36
SH4307	9JD126D000044	TERMINAL PIN	YQ-36
<b>POWER PCB ASS'Y</b>			
*** PCB ***			
PCB240	9JDA32A01E240L	POWER PCB ASS'Y	CEF273A
*** RESISTORS ***			
△ R403	9JDR3X28BR22J	R,METAL OXIDE	0.22 OHM 3W
△ R404	9JDR31X1155J	RC	1.5M OHM 1W
△ R406	9JDR3K681S22J	R,METAL OXIDE	0.022 OHM 1W
△ R412	9JDR63881R22J	R,FUSE	0.22 OHM 1W
△ R416	9JDR655842R2J	R,FUSE	2.2 OHM 1/4W

# ELECTRIC REPLACEMENT PARTS LIST

△ R466	9JDR5X2AD151J	R,CEMENT	150 OHM 5W	
△ R494	9JDR3K78A681J	R,METAL OXIDE	680 OHM 2W	
△ R497	9JDR65581010J	R,FUSE	OHM 1W	or
	9JDR63881010J	R,FUSE	1 OHM 1W	
△ R533	9JDR3X28B473J	R,METAL OXIDE	47K OHM 3W	

### \*\*\* CAPACITORS \*\*\*

△ C402	9JDP2122B334M	CMP	0.33 UF 275V ECQUL	
△ C405	9JDE71LHH331D	CE	330 UF 400V	or
	9JDE77CHH331M	CE	330 UF 400V	
△ C406	9JD CD39E0M13M	CC	0.001 UF 250V	
C422	9JDE7EY78101D	CE	100 UF 100V	
△ C423	9JDP4NAE6823H	CMPP	0.082 UF 800V	
△ C424	9JDE8E6FH220M	CE	22 UF 400V	
△ C427	9JD CD39B0MQ2K	CC	470 PF 250V	
△ C433	9JDE7EYF4471M	CE	470 UF 35V	
△ C434	9JDE7EYF4122M	CE	1200 UF 35V	
△ C435	9JDE7EYF3102M	CE	1000 UF 25V	
△ C436	9JD CD39E0M13M	CC	0.001 UF 250V	
△ C438	9JDE7EYF4122M	CE	1200 UF 35V	
△ C440	9JDE7EYF0222M	CE	2200 UF 6.3V	
△ C441	9JDE7ESU5100M	CE	10 UF 50V	
△ C444	9JDE7ESU0221M	CE	220 UF 6.3V	
△ C448	9JDP2122B104M	CMP	0.1 UF 275V ECQUL	
C449	9JDE7EYF2102M	CE	1000 UF 16V	
C453	9JDE7EYF2102M	CE	1000 UF 16V	
△ C463	9JD CD39B0MQ2K	CC	470 PF 250V	
△ C475	9JDP4NAE6823H	CMPP	0.082 UF 800V	

### \*\*\* DIODES \*\*\*

D401	9JDD4AT01H3E0	DIODE RECTIFIER	1H3-E	
△ D404	9JDD6C047110A	DIODE VARISTA	ENE471D-10A	
D406	9JDD28R1QS040	DIODE	EC31QS04-TE12L	
D407	9JDD28R1QS040	DIODE	EC31QS04-TE12L	or
	9JDD4CRSK34A0	DIODE SCHOTTKY	SK34A	
△ D408	9JDD2Z05SB800	DIODE,BRIDGE	D5SB80	
D411	9JDDGERMA1110	DIODE SILICON	MA111-(TX)	or
	9JDDD7R0S3550	DIODE SILICON	1SS355 TE-17	
D412	9JDD97U03R91B	DIODE,ZENER	MTZJ3.9B T-77	
D413	9JDDGERMA1110	DIODE SILICON	MA111-(TX)	or
	9JDDD7R0S3550	DIODE SILICON	1SS355 TE-17	
D414	9JDDGERMA1110	DIODE SILICON	MA111-(TX)	or
	9JDDD7R0S3550	DIODE SILICON	1SS355 TE-17	
D415	9JDDE7RB3R92B	DIODE ZENER	UDZS3.9B TE-17	
D416	9JDD97U02001B	DIODE,ZENER	MTZJ20B T-77	
D419	9JDDD7R0S3550	DIODE SILICON	1SS355 TE-17	
D420	9JDDD7R0S3550	DIODE SILICON	1SS355 TE-17	
D421	9JDDGERMA1110	DIODE SILICON	MA111-(TX)	or
	9JDDD7R0S3550	DIODE SILICON	1SS355 TE-17	
D422	9JDDD7R60M900	DIODE SCHOTTKY BARRIER	RB160M-90TR	
D423	9JDDGERMA1110	DIODE SILICON	MA111-(TX)	or
	9JDDD7R0S3550	DIODE SILICON	1SS355 TE-17	
D424	9JDD4AT01H3E0	DIODE RECTIFIER	1H3-E	
△ D425	9JDD2WTRM11C0	DIODE SILICON	RM11C-EIC	
D426	9JDD1VT001330	DIODE,SILICON	1SS133T-77	
△ D427	9JDD2WTRM11C0	DIODE SILICON	RM11C-EIC	
D428	9JDDGERMA1110	DIODE SILICON	MA111-(TX)	or
	9JDDD7R0S3550	DIODE SILICON	1SS355 TE-17	
D429	9JDDGERMA1110	DIODE SILICON	MA111-(TX)	or
	9JDDD7R0S3550	DIODE SILICON	1SS355 TE-17	
△ D430	9JDD2WTRM11C0	DIODE SILICON	RM11C-EIC	
△ D431	9JDD2WTRM11C0	DIODE SILICON	RM11C-EIC	
D432	9JDD2BE0RU3B0	DIODE SILICON	RU3B LF-A5	
D433	9JDD4AT01H3E0	DIODE RECTIFIER	1H3-E	
△ D435	9JDD2CFC91020	DIODE SCHOTTKY	ERC91-02J11SC	
△ D436	9JDD2CA2C10R0	DIODE SCHOTTKY BARRIER	YG862C10R	
△ D437	9JDD2CA2C10R0	DIODE SCHOTTKY BARRIER	YG862C10R	
D438	9JDDGERMA1110	DIODE SILICON	MA111-(TX)	or
	9JDDD7R0S3550	DIODE SILICON	1SS355 TE-17	
D439	9JDD97U03001B	DIODE,ZENER	MTZJ30B T-77	
△ D440	9JDD2CA2C10R0	DIODE SCHOTTKY BARRIER	YG862C10R	
△ D442	9JDD4AT01H3E0	DIODE RECTIFIER	1H3-E	
△ D443	9JDD2CA2C10R0	DIODE SCHOTTKY BARRIER	YG862C10R	

# ELECTRIC REPLACEMENT PARTS LIST

D445	9JDD97U02401B	DIODE,ZENER	MTZJ24B T-77
D446	9JDD1VT001330	DIODE,SILICON	1SS133T-77
D447	9JDD1VT001330	DIODE,SILICON	1SS133T-77
D449	9JDD1VT001330	DIODE,SILICON	1SS133T-77
D450	9JDD97U03R31B	DIODE,ZENER	MTZJ3.3B T-77
D453	9JDD97U05R11B	DIODE,ZENER	MTZJ5.1B T-77
D456	9JDD1VT001330	DIODE,SILICON	1SS133T-77
D457	9JDD2LXSR2400	DIODE SCHOTTKY	SR240-F
D459	9JDD97U02201B	DIODE ZENER	MTZJ22B T-77
D460	9JDD4AT01H3E0	DIODE RECTIFIER	1H3-E
D461	9JDD97U01101B	DIODE,ZENER	MTZJ11B T-77
D462	9JDD2LXSR2400	DIODE SCHOTTKY	SR240-F
*** ICS ***			
△ IC401	9JDI2GT050600	IC	MP2A5060
△ IC402	9JDI5SD0P2F40	IC	MIP2F4
△ IC403	9JDI1KJ9A431A	IC	KIA431A-AT
△ IC404	9JDI1KJ9A431A	IC	KIA431A-AT
△ IC406	9JDI1LF010150	IC	AL1015
△ IC407	9JDI03T057790	IC	LA5779-E
△ IC408	9JD000220002W	PHOTO COUPLER	PS2561AL1-1-V(W)
△ IC409	9JD000220002W	PHOTO COUPLER	PS2561AL1-1-V(W)
△ IC410	9JD000220002W	PHOTO COUPLER	PS2561AL1-1-V(W)
*** TRANSISTORS ***			
Q401	9JDTCAT03209Y	TRANSISTOR SILICON	KTC3209_Y-AT
Q402	9JDTCAA3875SY	TRANSISTOR SILICON	KTC3875S_Y_RTK
Q403	9JDTCAA3875SY	TRANSISTOR SILICON	KTC3875S_Y_RTK
Q404	9JDTCAA3875SY	TRANSISTOR SILICON	KTC3875S_Y_RTK
△ Q405	9JDTCAT03209Y	TRANSISTOR SILICON	KTC3209_Y-AT
△ Q406	9JDTCAA3875SY	TRANSISTOR SILICON	KTC3875S_Y_RTK
△ Q407	9JDTAAT01281Y	TRANSISTOR SILICON	KTA1281_Y
Q408	9JDTCAA3875SY	TRANSISTOR SILICON	KTC3875S_Y_RTK
Q409	9JDTCAA3875SY	TRANSISTOR SILICON	KTC3875S_Y_RTK
△ Q410	9JDTJ7M50P030	FET	RSS050P03_TB
Q411	9JDTNAAB05003	COMPOUND TRANSISTOR	KRC102SRTK
Q412	9JDTCAA3875SY	TRANSISTOR SILICON	KTC3875S_Y_RTK
Q415	9JDTAAA1504SY	TRANSISTOR SILICON	KTA1504S_Y_RTK
Q416	9JDTAAA1504SY	TRANSISTOR SILICON	KTA1504S_Y_RTK
Q417	9JDTAAT01241Y	TRANSISTOR SILICON	KTA1241_Y-AT
Q418	9JDTNAAA05001	COMPOUND TRANSISTOR	KRC101S-RTK
Q420	9JDTCAA3875SY	TRANSISTOR SILICON	KTC3875S_Y_RTK
Q421	9JDTAAT01281Y	TRANSISTOR SILICON	KTA1281_Y
△ Q422	9JDTBA0011510	TRANSISTOR SILICON	KTB1151
Q423	9JDTCAA3875SY	TRANSISTOR SILICON	KTC3875S_Y_RTK
Q424	9JDTNAAB05003	COMPOUND TRANSISTOR	KRC102SRTK
Q425	9JDTNAAB05003	COMPOUND TRANSISTOR	KRC102SRTK
Q431	9JDTNAAA05001	COMPOUND TRANSISTOR	KRC101S-RTK
Q432	9JDTAAT01241Y	TRANSISTOR SILICON	KTA1241_Y-AT
△ Q433	9JDTCAA3875SY	TRANSISTOR SILICON	KTC3875S_Y_RTK
△ Q434	9JDT25F035630	FET	2SK3563(ORION_Q)
*** COILS ***			
B401	9JD024HT03553	CORE,BEADS	W5RH3.5X5X1.0
B402	9JD024HC51816	CORE,BEADS	HCB1608KF-181T20
B403	9JD024HC51816	CORE,BEADS	HCB1608KF-181T20
B404	9JD024HT03553	CORE,BEADS	W5RH3.5X5X1.0
△ L401	9JD029X000135	COIL,LINE FILTER	SS30V-R150270
△ L402	9JD029X000135	COIL,LINE FILTER	SS30V-R150270
△ L403	9JD02F1000001	COIL CHOKE	DBE-688
L405	9JD02167E220K	COIL	22 UH
L408	9JD021U0L470M	COIL	47 UH
L409	9JD02130G330M	COIL	33 UH
L413	9JD02167E100K	COIL	10 UH
L415	9JD02167E220K	COIL	22 UH
*** TRANSFORMERS ***			
△ T401	9JD0487420014	TRANSFORMER,SWITCHING	87420014
△ T402	9JD0481190074	TRANSFORMER,SWITCHING	81190074

# ELECTRIC REPLACEMENT PARTS LIST

\*\*\* JACKS \*\*\*

△ J401	9JD064Q2A0001	JACK,AC	CCT2302-0711
--------	---------------	---------	--------------

\*\*\* CONNECTORS \*\*\*

CD403	9JD06CU2E1301	CORD CONNECTOR	CU2E1301
CP401	9JD069D01001A	CONNECTOR PCB SIDE	003P-2100
CP405	9JD069D01001A	CONNECTOR PCB SIDE	003P-2100
CP406	9JD069S2E0639	CONNECTOR PCB SIDE	A2001WR2-14P
CP408	9JD069D01001A	CONNECTOR PCB SIDE	003P-2100
CP411	9JD06977N001B	CONNECTOR PCB SIDE	TWG-P23P-B1
CP412	9JD069779001B	CONNECTOR PCB SIDE	TWG-P09P-B1
CP413	9JD069D01001A	CONNECTOR PCB SIDE	003P-2100

\*\*\* FUSES \*\*\*

△ F401	9JD080NT05004	FUZE	50T050H
△ F404	9JD0835C01603	MICRO FUZE	20N_1600FS
FH401	9JD06710T0009	HOLDER,FUZE	EYF-52BCY
FH402	9JD06710T0009	HOLDER,FUZE	EYF-52BCY

\*\*\* RELAYS \*\*\*

△ RY401	9JD0560V50119	RELAY	ALKS329 A60
---------	---------------	-------	-------------

\*\*\* THERMISTOR \*\*\*

△ TH401	9JDDSQ0VE4R0L	THERMISTOR	4D2-18LCS
---------	---------------	------------	-----------

\*\*\* OTHERS \*\*\*

EL2401	9JD124116281A	EYE LET	XRY16X28BD
EL2402	9JD124120301A	EYE LET	XRY20X30BD
SH401	9JD126D000044	TERMINAL PIN	YQ-36
SH402	9JD126D000044	TERMINAL PIN	YQ-36
SH403	9JD126D000044	TERMINAL PIN	YQ-36
SH404	9JD126D000044	TERMINAL PIN	YQ-36
SH405	9JD126D000044	TERMINAL PIN	YQ-36
SH408	9JD126D000044	TERMINAL PIN	YQ-36
SH409	9JD126D000044	TERMINAL PIN	YQ-36

**OPERATION PCB ASS'Y**

\*\*\* PCB \*\*\*

PCB270	9JDA32A01E270L	OPERATION PCB ASS'Y	CEF274A
--------	----------------	---------------------	---------

\*\*\* SWITCHES \*\*\*

SW2201	9JD0504101T34	SWITCH,TACT	EVQ21505R
SW2202	9JD0504101T34	SWITCH,TACT	EVQ21505R
SW2203	9JD0504101T34	SWITCH,TACT	EVQ21505R
SW2204	9JD0504101T34	SWITCH,TACT	EVQ21505R
SW2205	9JD0504101T34	SWITCH,TACT	EVQ21505R
SW2206	9JD0504101T34	SWITCH,TACT	EVQ21505R

\*\*\* CONNECTORS \*\*\*

CD4302	9JD06CU244003	CORD CONNECTOR	CU244003
CP2203	9JD069S240639	CONNECTOR PCB SIDE	A2001WR2-4P

**AND OTHERS**

\*\*\* COILS \*\*\*

TR7201	9JD02AS6513C1	CORE FERRITE	E04FG441312-TX3
TR7202	9JD02AS6513C1	CORE FERRITE	E04FG441312-TX3

\*\*\* CONNECTORS \*\*\*

CD302	9JD06CU144202	CORD CONNECTOR	CU144202
CD7204	9JD06CHRU2206	CORD CONNECTOR	CHRU2206



# ELECTRIC REPLACEMENT PARTS LIST

\*\*\* TUNER \*\*\*

△ TU6002	9JD0164Y03002	DIGITAL TUNER	TDTG-S156D
----------	---------------	---------------	------------

\*\*\* AC CORD \*\*\*

△ CD3810	9JD120Q155804	CORD AC	P205-1324-4
△ CD3811	9JD120D145801	CORD SET AC	4K6G-431-00K

\*\*\* OTHERS \*\*\*

BT001	9JD141L003010	BATTERY,MANGAN	R6P(AR)XICI
BT002	9JD141L003010	BATTERY,MANGAN	R6P(AR)XICI
△ M3400	9JD1519Y55L01	FAN MOTOR	2004KL-04W-B30-M09
△ SP301	9JD070Y056003	SPEAKER	S0412F03
△ SP302	9JD070Y056003	SPEAKER	S0412F03
TM101	9JD076B0MU030	TRANSMITTER	ETR0088-010240
V2301	9JD09E4132019	LCD	LK315T3LZ5CZ

RESISTOR

RC..... CARBON RESISTOR

CAPACITORS

CC..... CERAMIC CAPACITOR  
 CE..... ALUMI ELECTROLYTIC CAPACITOR  
 CP..... POLYESTER CAPACITOR  
 CPP..... POLYPROPYLENE CAPACITOR  
 CPL..... PLASTIC CAPACITOR  
 CMP..... METAL POLYESTER CAPACITOR  
 CMPL..... METAL PLASTIC CAPACITOR  
 CMPP..... METAL POLYPROPYLENE CAPACITOR