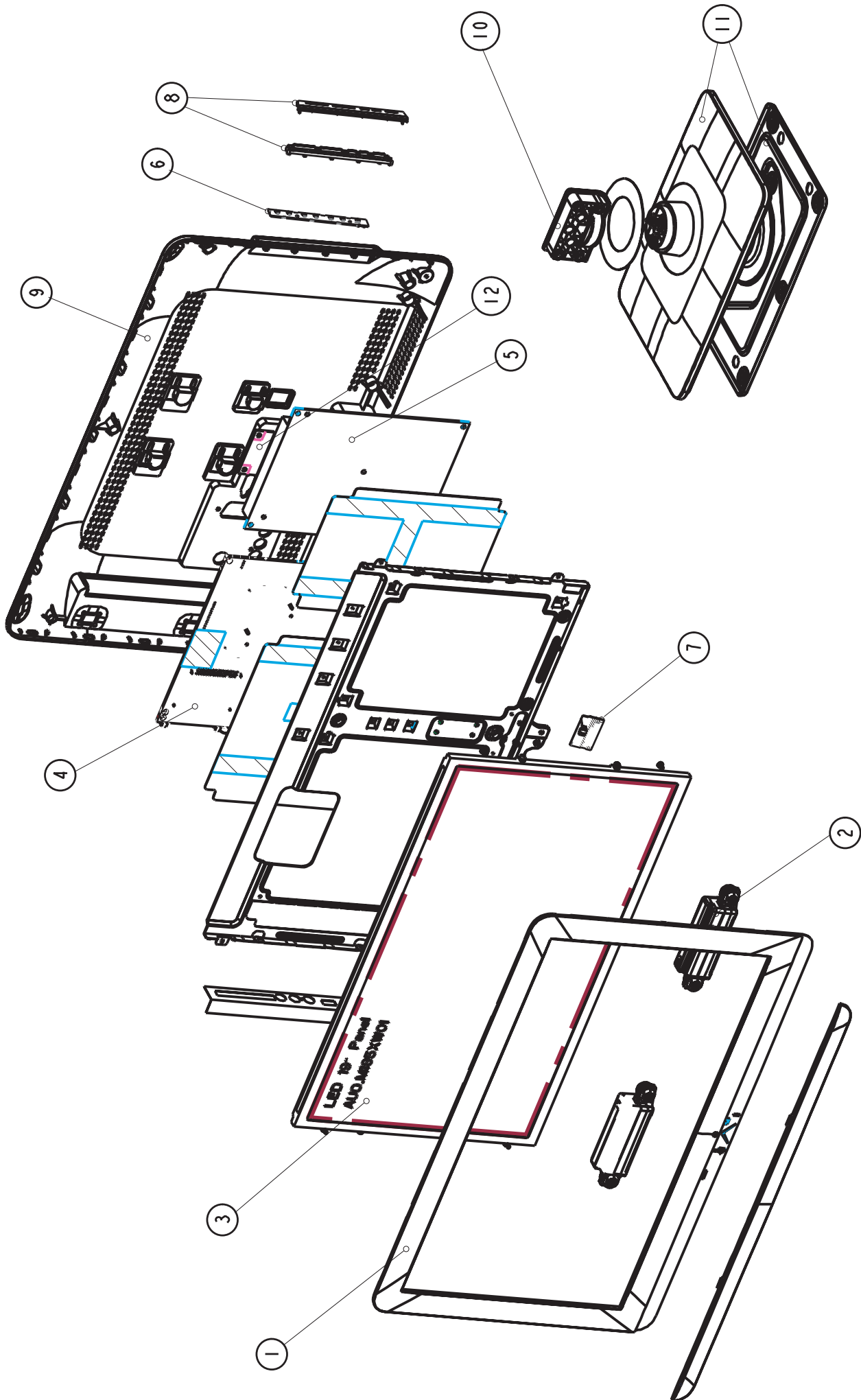
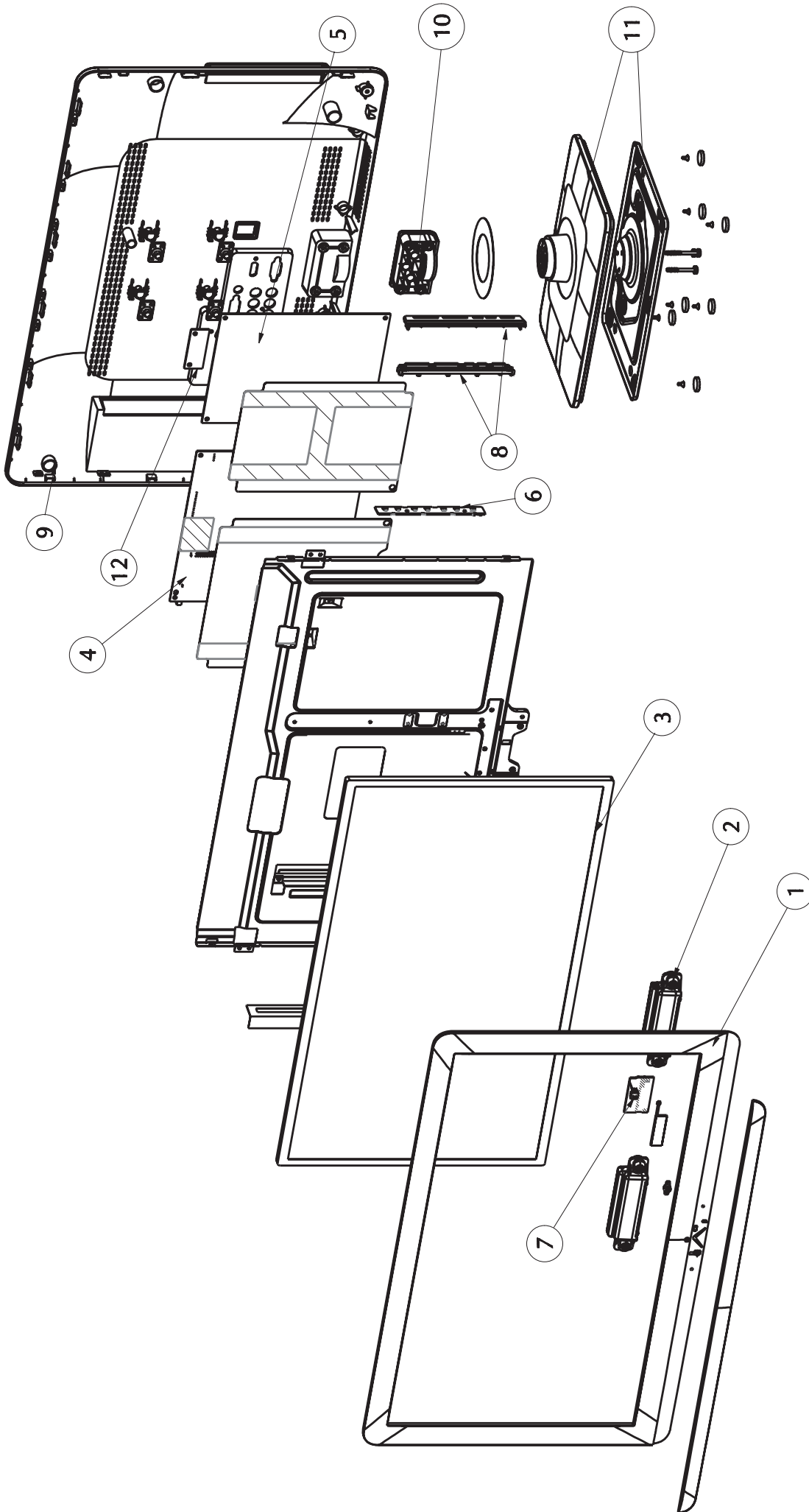


[2] CABINET PARTS(LC-19LE320)



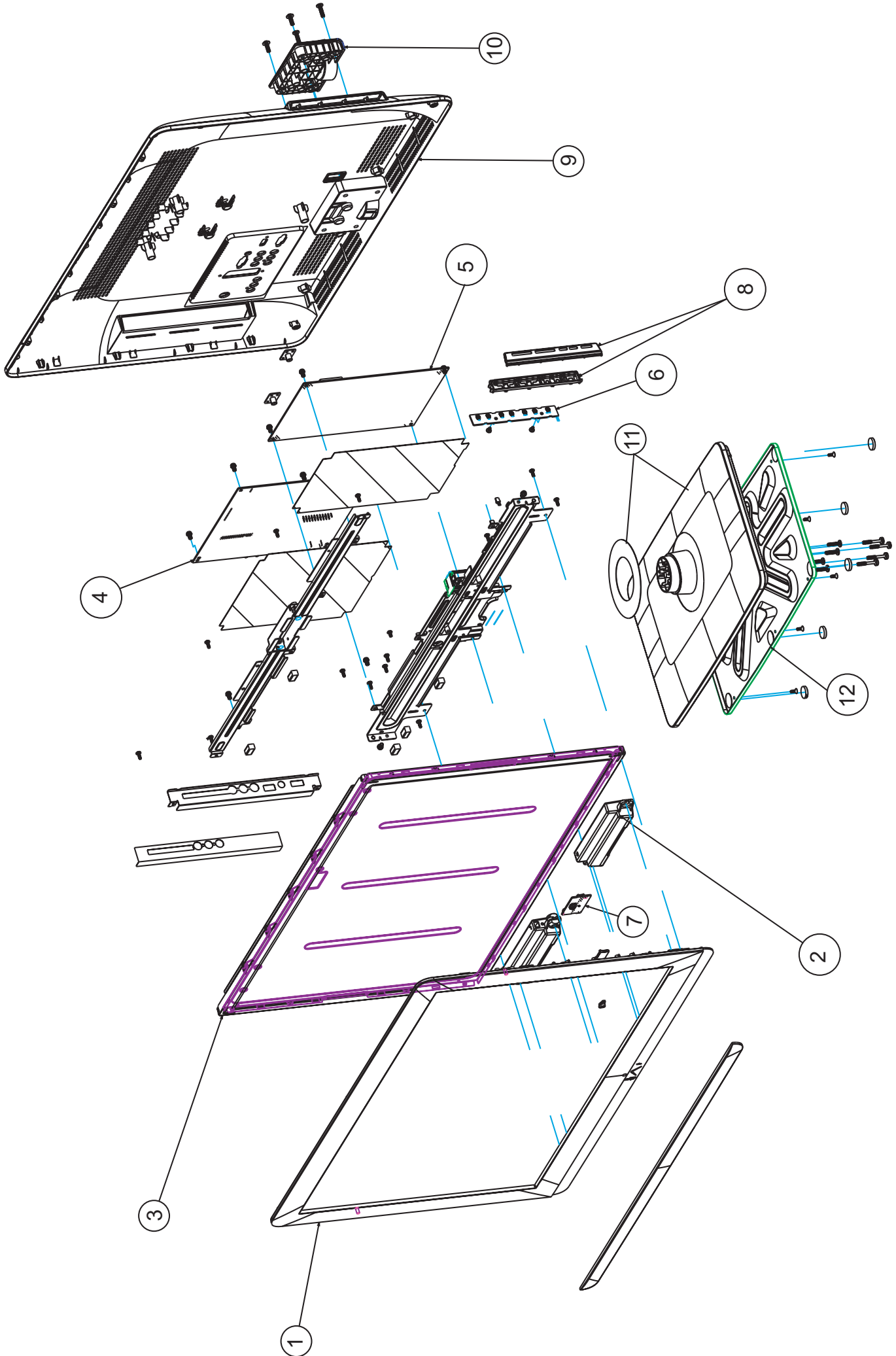
NO.	PARTS CODE	Sharp Code	DESCRIPTION
<b>CABINET PARTS(LC-19LE320E(AUO))</b>			
1	705TZA34126	9JR7050000218	BEZEL ASSY
2	078G035A 10 M	9JR7800000024	SPEAKER 16 OHM 3.5W 80X23 230/290
3	750GLU185X1634M0BQ	9JR7500000029	PANEL M185XW01 V60B SH
4	CBPFA4ABP7	9JR9900000081	MAIN PCB ASSY(NUTUNE TUNER)
5	ADTVA3615PA4	9JR9900000079	POWER PCB ASSY
6	KEPFAPA1	9JR9900000060	KEY PCB ASSY
7	IRPFAPA4	9JR9900000059	IR PCB ASSY
8	705TZA3461A	9JR7050000146	KEY COVER ASSY
9	705TZA34127	9JR7050000219	REAR COVER ASSY
10	P34T0452PAT 1T0100	9JR3400000011	BASE_NECK
11	705TZA3463A	9JR7050000148	BASE ASSY
12	PTPFAPA5	9JR9900000068	Interface PCB Assy

CABINET PARTS(LC-22LE320)



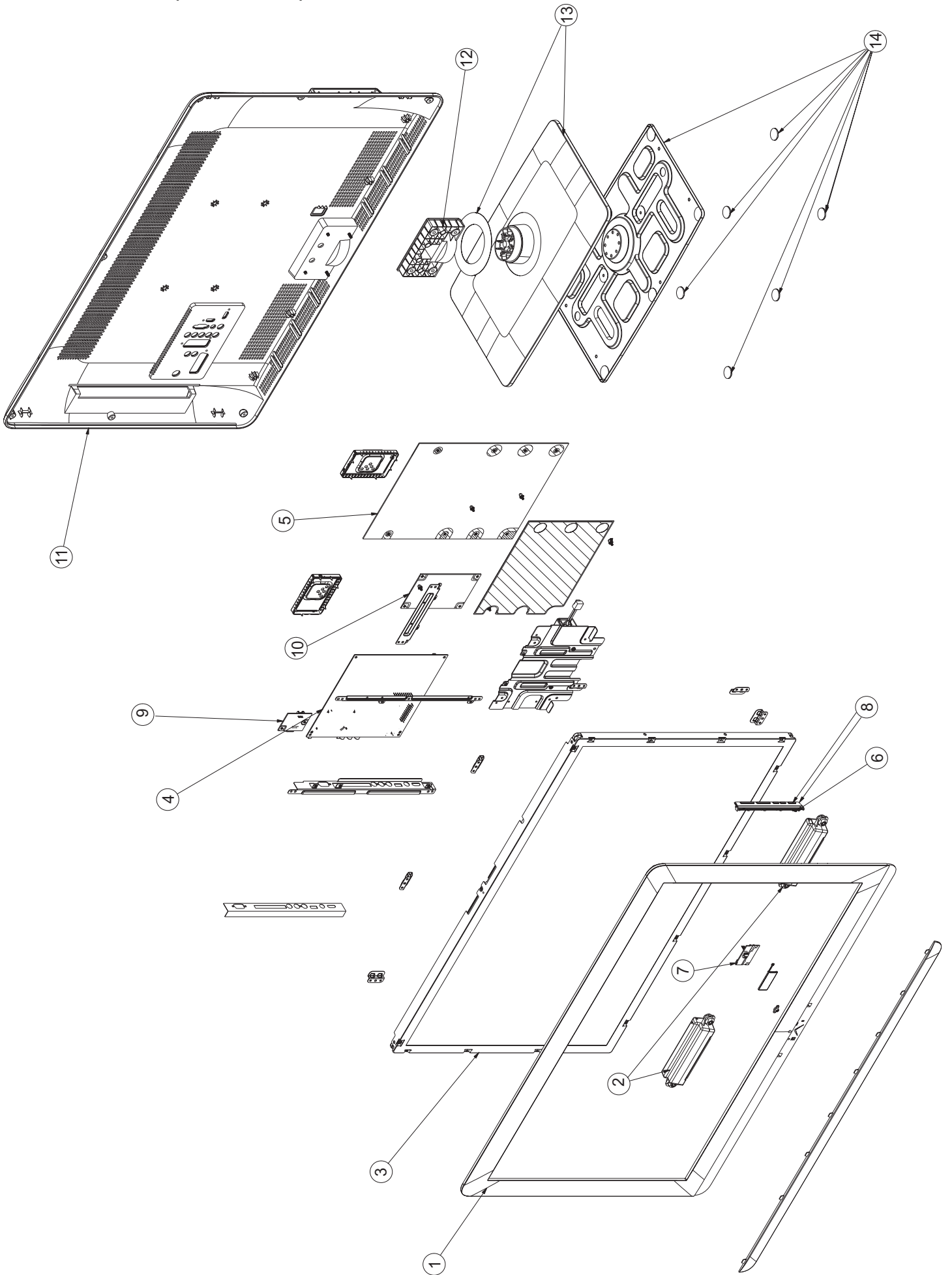
NO.	PARTS CODE	Sharp Code	DESCRIPTION
<b>CABINET PARTS(LC-22LE320E(AUO))</b>			
1	705TZA3460A	9JR7050000145	BEZEL ASSY
2	078G035A 7 M	9JR7800000014	SPEAKER 16 OHM 3.5W 290/260mm 80X23mm
3	750GLU215H1611N000	9JR7500000027	PANEL M215HW01 V600 TW AUO
4	CBPFA4ABP1	9JR9900000058	MAIN PCB ASSY
5	ADTVA3615PA1	9JR9900000057	POWER PCB ASSY
6	KEPFAPA1	9JR9900000060	KEY PCB ASSY
7	IRPFAPA4	9JR9900000059	IR PCB ASSY
8	705TZA3461A	9JR7050000146	KEY COVER ASSY
9	705TZA3462A	9JR7050000147	REAR COVER ASSY
10	P34T0452PAT 1T0100	9JR3400000011	BASE_NECK
11	705TZA3463A	9JR7050000148	BASE ASSY
12	PTPFAPA1	9JR9900000067	Interface PCB Assy

CABINET PARTS(LC-26LE320)



NO.	PARTS CODE	Sharp Code	DESCRIPTION
<b>CABINET PARTS(LC-26LE320E(AUO))</b>			
1	705TZA34010	9JR7050000193	BEZEL ASSY
2	078G055A 9 Y	9JR7800000019	SPEAKER 16 OHM 5.5W 125X30mm 350/260mm
3	750TVU260W6111N000	9JR7500000032	PANEL T260XW06 V1 TW AUO
4	CBPFA4ABP2	9JR9900000071	MAIN PCB ASSY(Nutune TUNER)
5	ADTVA2432PA1	9JR9900000069	POWER PCB ASSY
6	KEPFAPA1	9JR9900000060	KEY PCB ASSY
7	IRPFAPA4	9JR9900000059	IR PCB ASSY
8	705TZA3461A	9JR7050000146	KEY COVER ASSY
9	705TZA34012	9JR7050000194	REAR COVER ASSY
10	P34T0460PAT 1T0100	9JR3400000013	BASE_NECK
11	705TZA34013	9JR7050000195	BASE COVER ASSY
12	705TZA1518A	9JR7050000188	BASE PLATE ASSY

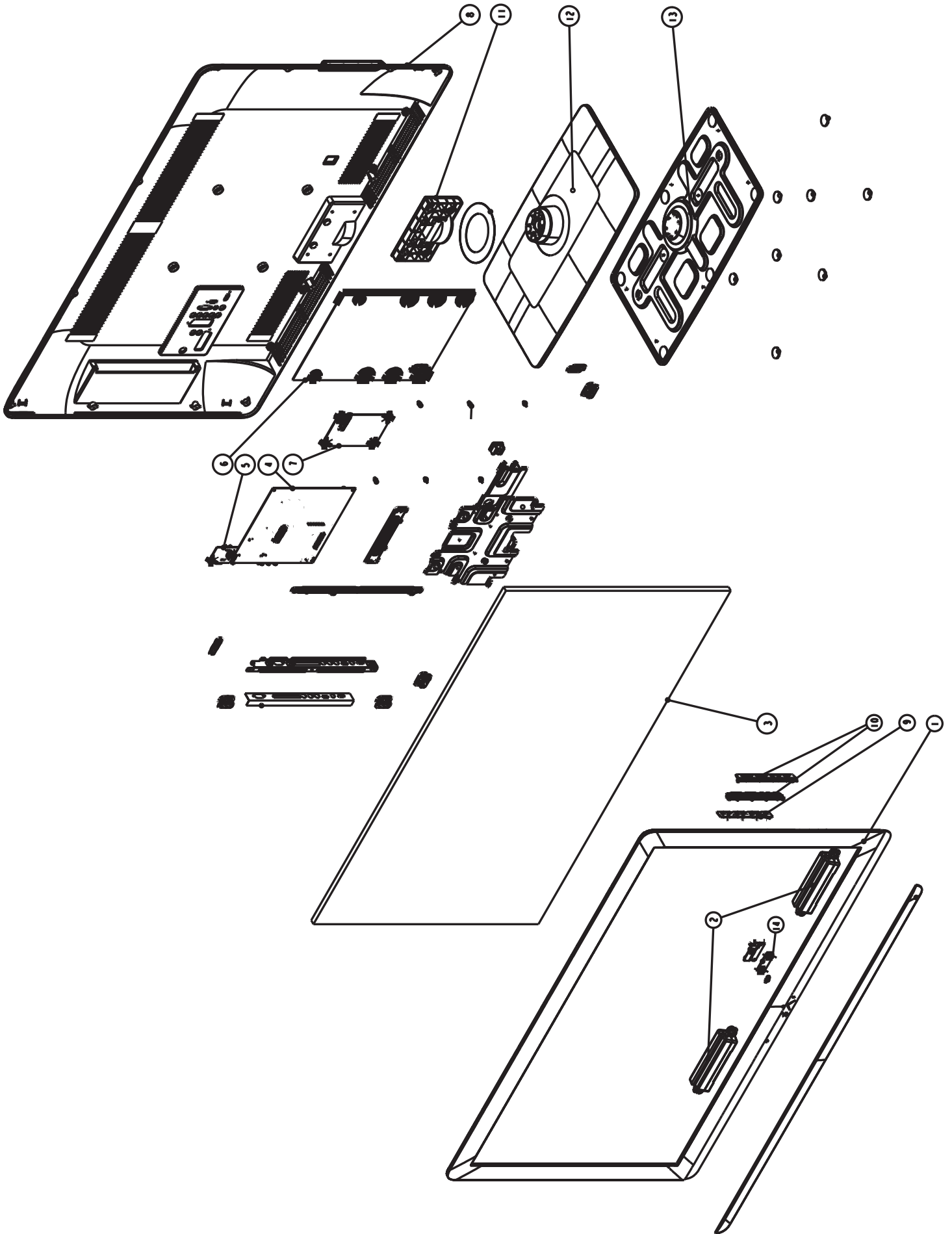
CABINET PARTS(LC-32LE320)



NO.	PARTS CODE	Sharp Code	DESCRIPTION
<b>CABINET PARTS(LC-32LE320E(AUO))</b>			
1	705TZA34074	9JR7050000196	BEZEL ASSY
2	078G120A 18 M	9JR7800000020	SPEAKER 16 12W 130X30 550/350
3	750TVU315W5111N000	9JR7500000033	PANEL T315HW05 V1 TW AUO
4	CBPFA4ABP5	9JR9900000074	MAIN PCB ASSY(LG TUNER)
5	ADTVA6060PA1	9JR9900000070	POWER PCB ASSY
6	KEPFAPA1	9JR9900000060	KEY PCB ASSY
7	IRPFAPA4	9JR9900000059	IR PCB ASSY
8	705TZA3461A	9JR7050000146	KEY COVER ASSY
9	PTPFAPA3	9JR9900000076	RS232 PCB ASSY
10	PTPFAPA2	9JR9900000075	MEMC PCB ASSY
11	P34T0463PAT 1T0100	9JR3400000014	REAR_COVER_EU
12	P34T0465PAT 1T0100	9JR3400000015	BASE_NECK
13	705TZA34075	9JR7050000197	BASE COVER ASSY
14	705TZA1528A	9JR7050000190	BASE BRACKET ASSY

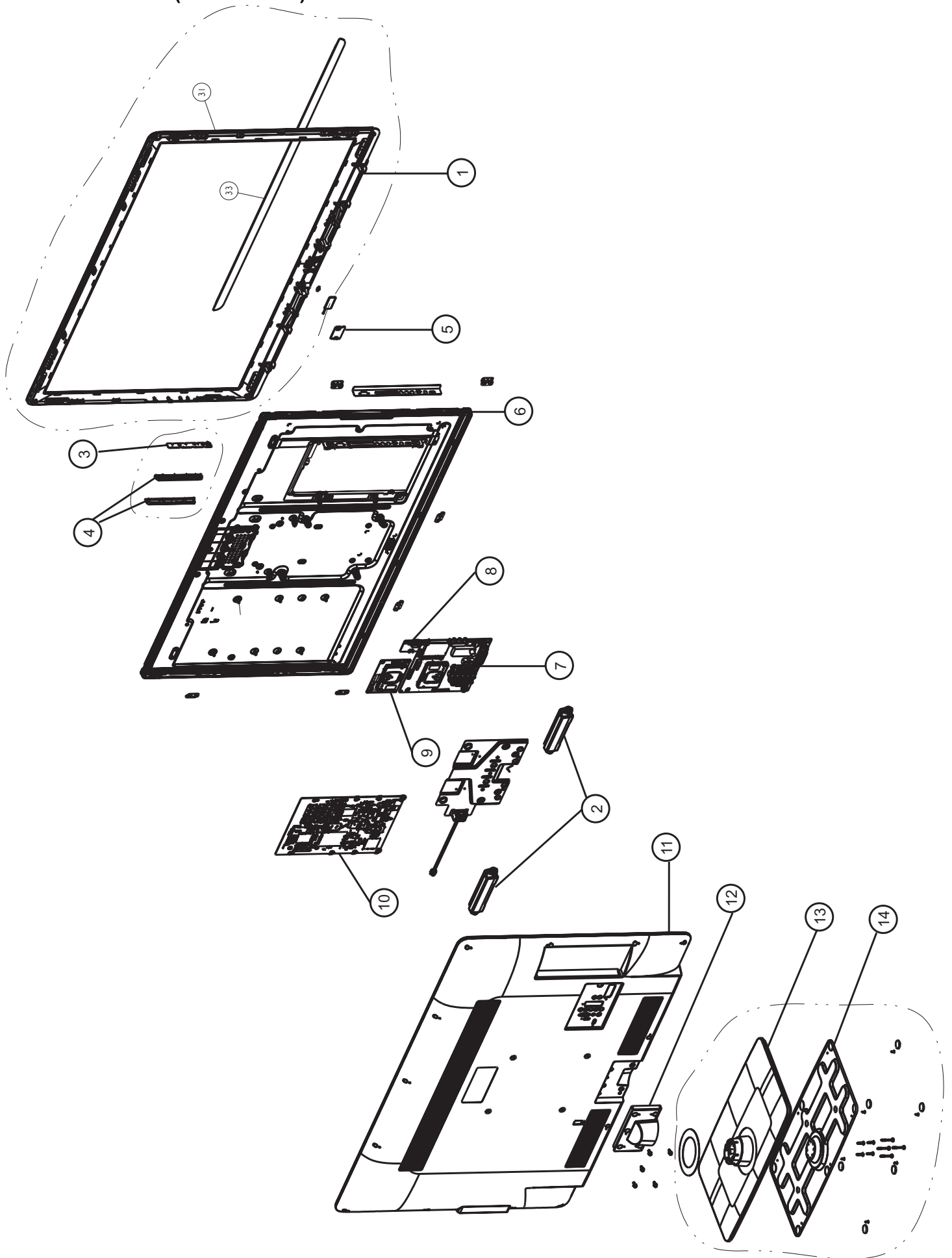


CABINET PARTS(LC-37LE320)



NO.	PARTS CODE	Sharp Code	DESCRIPTION
<b>CABINET PARTS(LC-37LE320E(AUO))</b>			
1	705TZA34168	9JR7050000260	BEZEL ASSY
2	078G120A 24 Y	9JR7800000028	SPEAKER 16 OHM 12W 600/320mm 130X30mm
3	750TVU370H4111N000	9JR7500000043	PANEL T370HW04 V1 TW AUO
4	CBPFA4ABP9	9JR9900000094	MAIN PCB ASSY(Nutune TUNER)
5	PTPFAPA3	9JR9900000076	RS232 PCB ASSY
6	ADTV7078PA1	9JR9900000091	POWER PCB ASSY
7	PTPFAPA2	9JR9900000075	MEMC PCB ASSY
8	P34T0473PAT 1T0100	9JR3400000022	REAR_COVER
9	KEPFAPA1	9JR9900000060	KEY PCB ASSY
10	705TZA3461A	9JR7050000146	KEY COVER ASSY
11	P34T0475PAT 1T0100	9JR3400000023	BASE_NECK
12	705TZA34167	9JR7050000259	BASE COVER ASSY
13	P15T0722101		BRACKET_BASE
14	IRPFAPA4	9JR9900000059	IR PCB ASSY

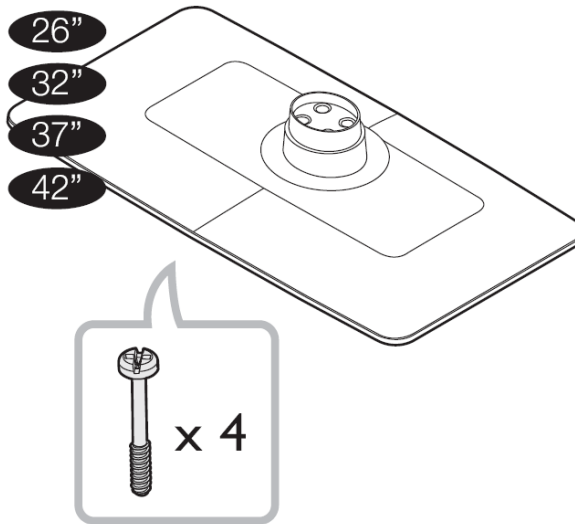
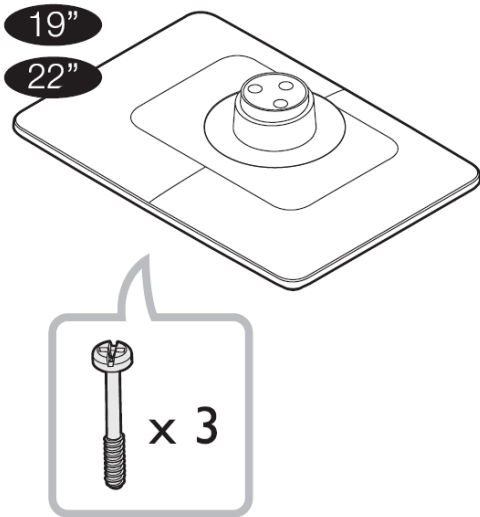
CABINET PARTS(LC-42LE320)



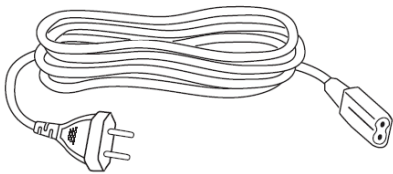
NO.	PARTS CODE	Sharp Code	DESCRIPTION
<b>CABINET PARTS(LC-42LE320E(AUO))</b>			
1	705TZA34177	9JR7050000261	BEZEL ASSY
2	078G120A 25 M	9JR7800000029	SPEAKER 16 OHM 12W 700/400mm 130X30mm
3	KEPFAPA1	9JR9900000060	KEY PCB ASSY
4	705TZA3461A	9JR7050000146	KEY COVER ASSY
5	IRPFAPA4	9JR9900000059	IR PCB ASSY
6	750TVU420H7111N000	9JR7500000044	PANEL T420HW07 V1 TW AUO
7	CBPFA4ABPB	9JR9900000096	MAIN PCB ASSY(Nutune TUNER)
8	PTPFAPA3	9JR9900000076	RS232 PCB ASSY
9	PTPFAPA2	9JR9900000075	MEMC PCB ASSY
10	ADTVA8885PA1	9JR9900000092	POWER PCB ASSY
11	P34T0468PAT 1T0100	9JR3400000020	REAR_COVER
12	P34T0470PAT 1T0100	9JR3400000021	BASE_NECK_EU
13	705TZA34178	9JR7050000262	BASE COVER ASSY
14	P15T0737101	9JR1500000036	BRACKET_BASE

### [3] SUPPLIED ACCESSORIES

#### Stand unit and screws



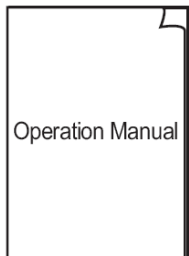
AC cord (x1)  
Product shape varies  
in some countries



Remote control (x1)  
AAA battery (x2)



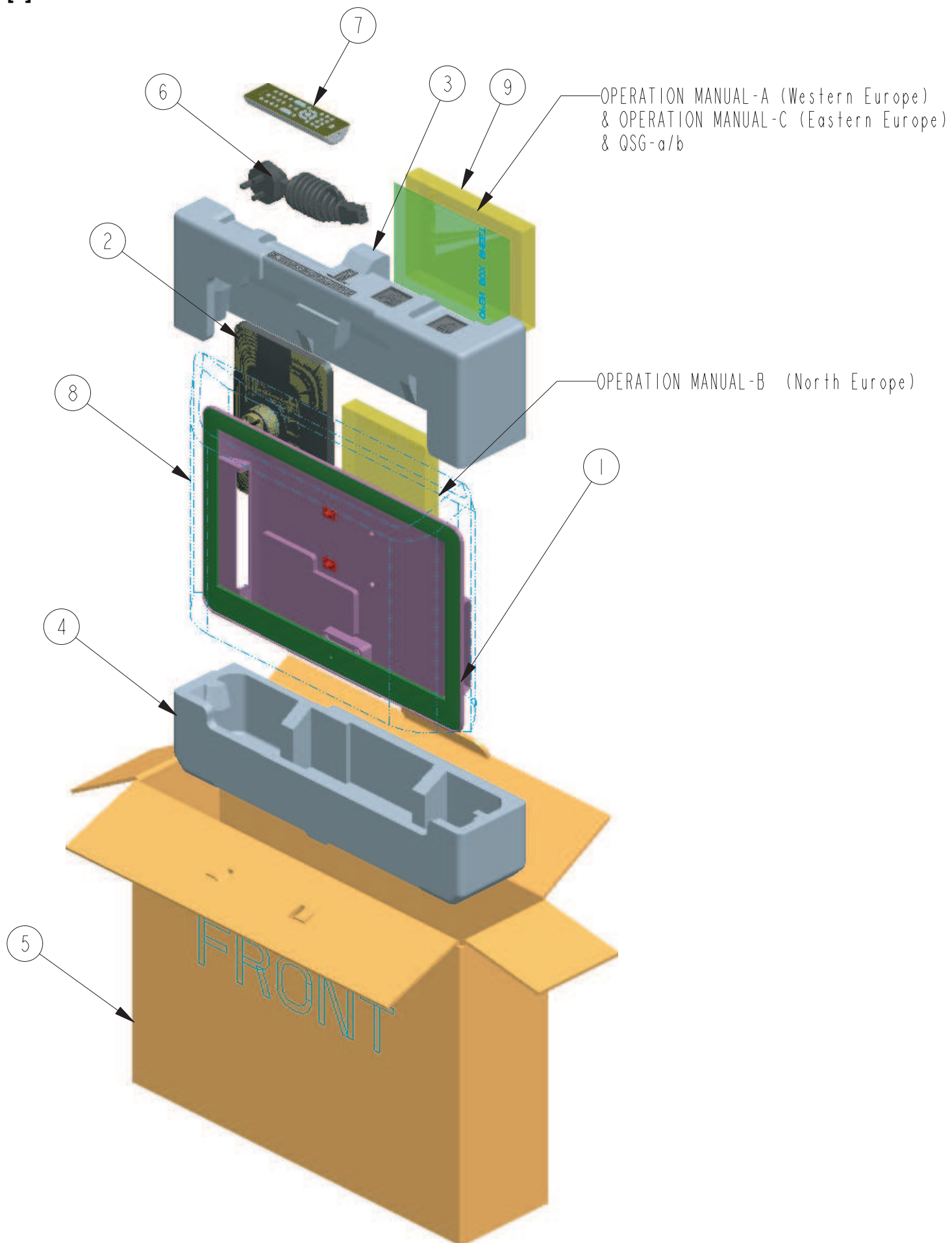
Operation Manual



Quick Setup Guide

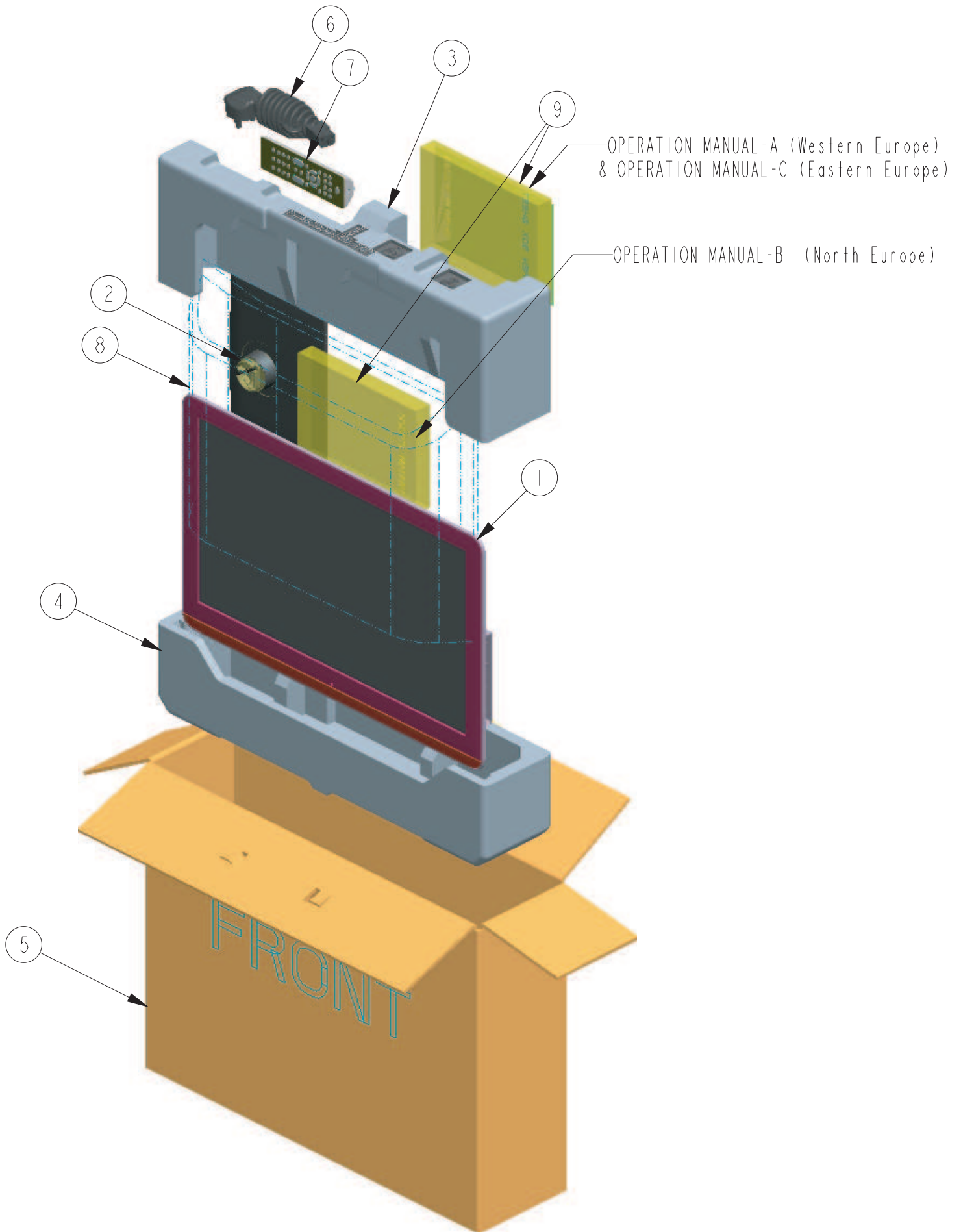


**[4] 19" PACKING PARTS**



NO.	PARTS CODE	Sharp Code	DESCRIPTION
<b>[2] PACKING PARTS (LC-19LE320E(AUO))</b>			
1			SET BODY
2	705TZA3463A	9JR7050000148	BASE ASSY
3	P44G9022101	9JR4400000064	CUSHION_TOP
4	P44G9022201	9JR4400000065	CUSHION_BTM
5	P44G9022843 2A	9JR4400000080	CARTON
6	089G204A15NLS1	9JR8900000009	POWER CORD 1.5M PE8C5Z1B90A-04B
7	098GRABD2NESPJ	9JR9800000005	REMOTE CONTROL RC-SHARP-420 FOR SHARP
8	P45G 46026	9JR4500000010	PE BAG(560X450-0.72mm)
9	705TZA4106B	9JR7050000198	DFU ASSY(Western Europe)(Eastern Europe)
9	705TZA4107A	9JR7050000150	DFU ASSY(North Europe)

**[4] 22" PACKING PARTS**



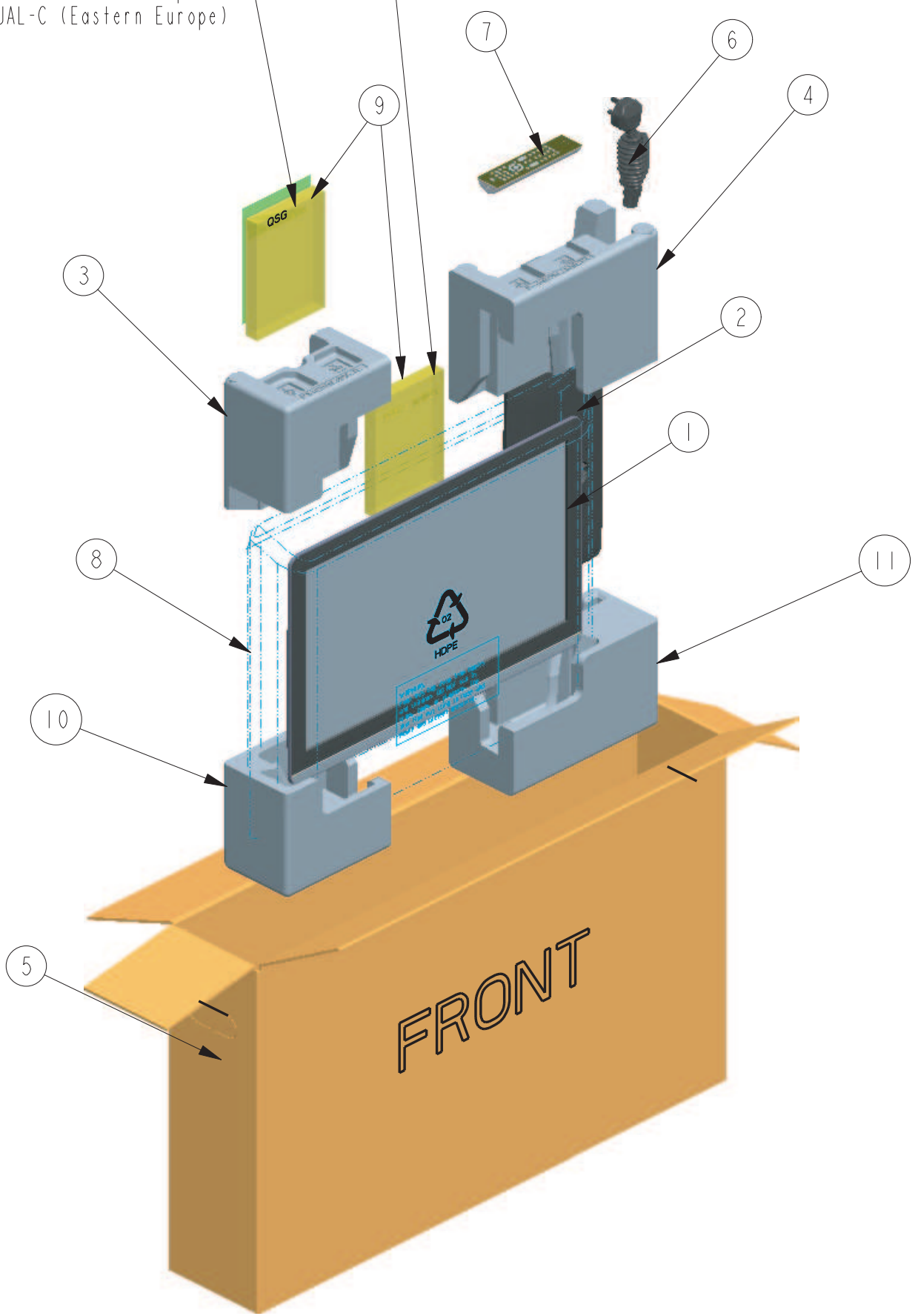


NO.	PARTS CODE	Sharp Code	DESCRIPTION
<b>[2] PACKING PARTS (LC-22LE320E(AUO))</b>			
1			SET BODY
2	705TZA3463A	9JR7050000148	BASE ASSY
3	P44GC004101	9JR4400000061	CUSHION_TOP
4	P44GC004201	9JR4400000062	CUSHION_BTM
5	P44GC004843 2A	9JR4400000063	CARTON
6	089G204A15NLS1	9JR8900000009	POWER CORD 1.5M PE8C5Z1B90A-04B
7	098GRABD2NESPJ	9JR9800000005	REMOTE CONTROL RC-SHARP-420 FOR SHARP
8	Q45T 99609 78	9JR4500000012	EPE COVER FOR MONITOR
9	705TZA4106A	9JR7050000149	DFU ASSY(Western Europe)(Eastern Europe)
9	705TZA4107A	9JR7050000150	DFU ASSY(North Europe)

**26" PACKING PARTS**

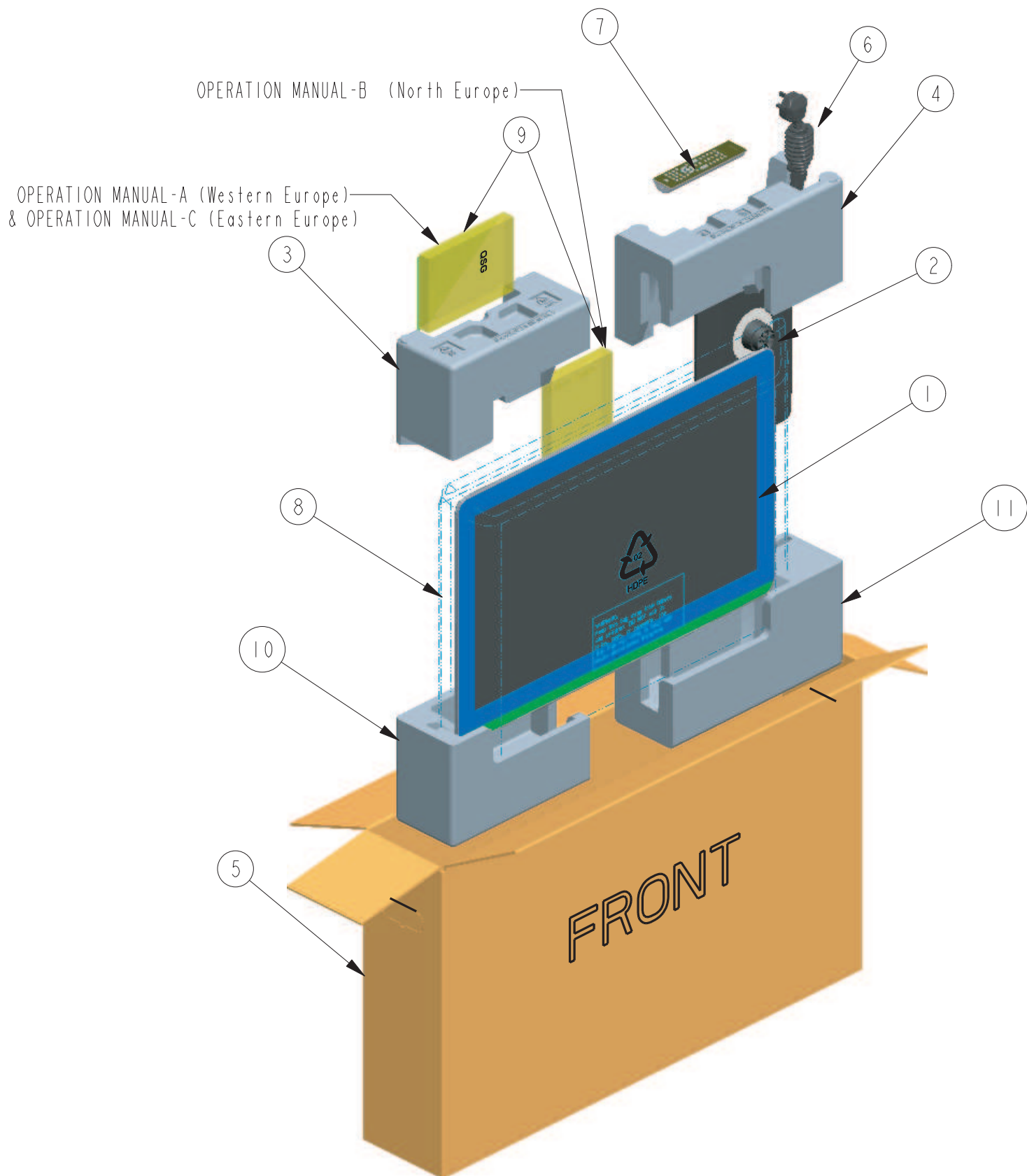
OPERATION MANUAL-B (North Europe)

OPERATION MANUAL-A (Western Europe)  
& OPERATION MANUAL-C (Eastern Europe)  
& QSG-a/b



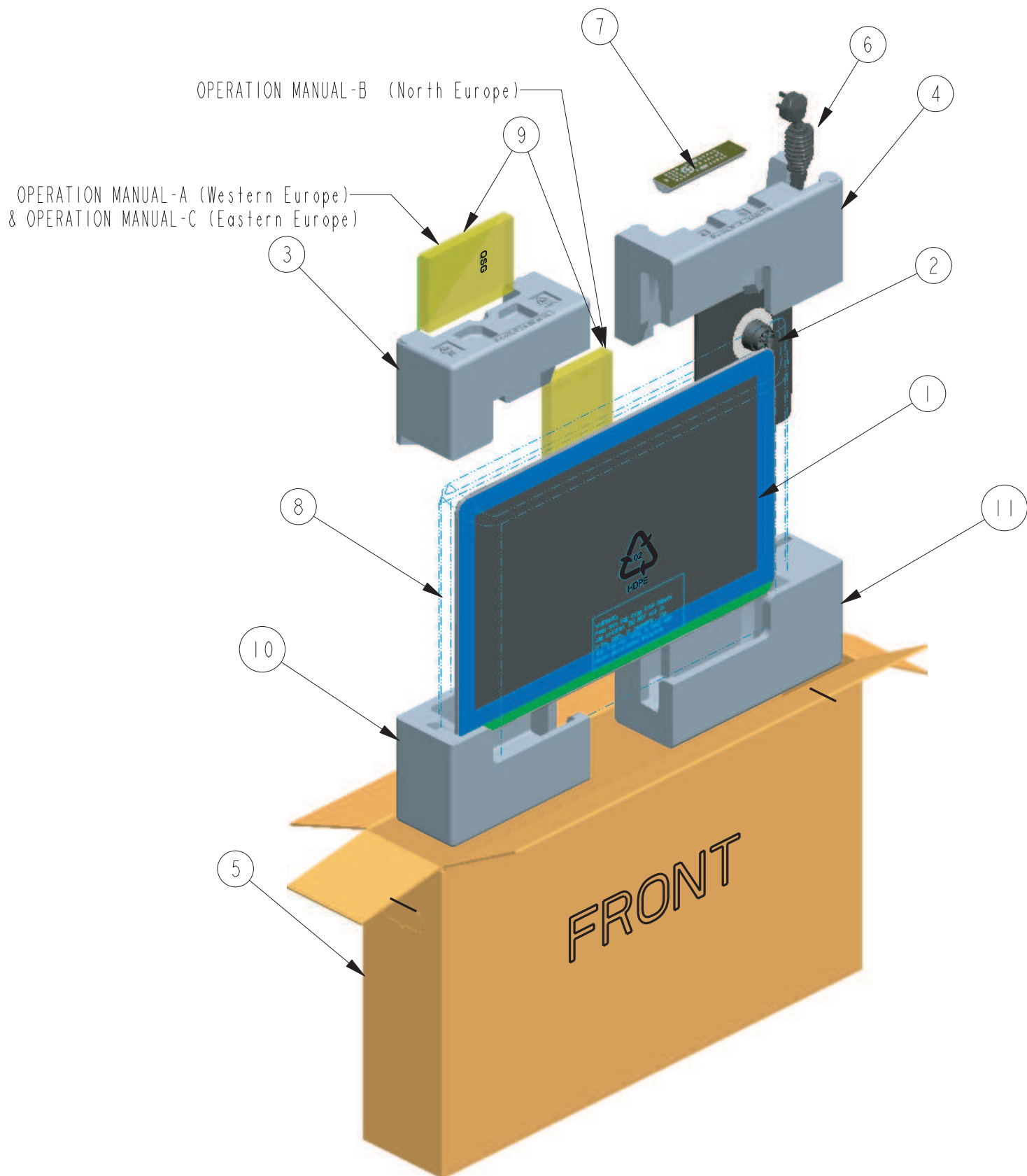
NO.	PARTS CODE	Sharp Code	DESCRIPTION
<b>[2] PACKING PARTS (LC-26LE320E(AUO))</b>			
1			SET BODY
2	705TZA34013	9JR7050000195	BASE COVER ASSY
2	705TZA1518A	9JR7050000188	BASE PLATE ASSY
3	P44GE018101	9JR4400000069	CUSHION_TL
4	P44GE018201	9JR4400000070	CUSHION_TR
5	705TZA4404A	9JR7050000199	Carton Assy
6	089G204A15NLS1	9JR8900000009	POWER CORD 1.5M PE8C5Z1B90A-04B
7	098GRABD2NESPJ	9JR9800000005	REMOTE CONTROL RC-SHARP-420 FOR SHARP
8	P45T 46025	9JR4500000007	PE BAG(800X650-0.72mm)
9	705TZA4106A	9JR7050000149	DFU ASSY(Western Europe)(Eastern Europe)
9	705TZA4107A	9JR7050000150	DFU ASSY(North Europe)
10	P44GE018301	9JR4400000071	CUSHION_BL
11	P44GE018401	9JR4400000072	CUSHION_BR

**32" PACKING PARTS**



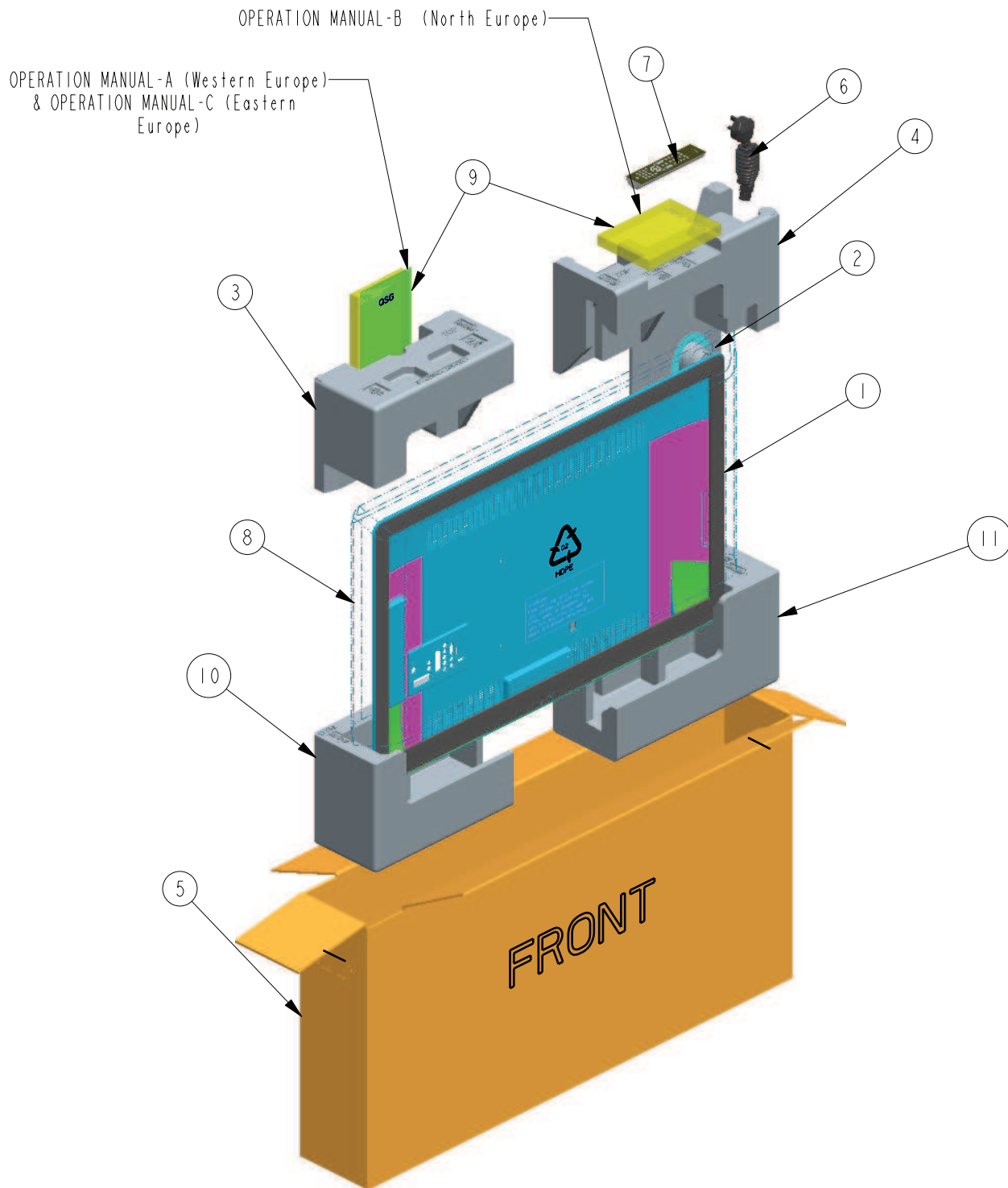
NO.	PARTS CODE	Sharp Code	DESCRIPTION
<b>[2] PACKING PARTS (LC-32LE320E(AUO))</b>			
1			SET BODY
2	705TZA34075	9JR7050000197	BASE COVER ASSY
2	705TZA1528A	9JR7050000190	BASE BRACKET ASSY
3	P44GJ024101	9JR4400000074	CUSHION_TL
4	P44GJ024201	9JR4400000075	CUSHION_TR
5	P44GJ024843 2A	9JR4400000078	CARTON
6	089G204A15NLS1	9JR8900000009	POWER CORD 1.5M PE8C5Z1B90A-04B
7	098GRABD2NESPJ	9JR9800000005	REMOTE CONTROL RC-SHARP-420 FOR SHARP
8	P45T 46024	9JR4500000006	PE BAG(950X735x0.72mm)
9	705TZA4106B	9JR7050000198	DFU ASSY(Western Europe)(Eastern Europe)
9	705TZA4107A	9JR7050000150	DFU ASSY(North Europe)
10	P44GJ024301	9JR4400000076	CUSHION_BL
11	P44GJ024401	9JR4400000077	CUSHION_BR

**37" PACKING PARTS**



NO.	PARTS CODE	Sharp Code	DESCRIPTION
<b>[2] PACKING PARTS (LC-37LE320E(AUO))</b>			
1			SET BODY
2	705TZA34167	9JR7050000259	BASE COVER ASSY
2	P15T0722101	9JR1500000037	BRACKET_BASE
2	P12T 61036	9JR1200000008	RUBBER PAD ( \$ 20X2t)
3	P44GL012101	9JR4400000089	CUSHION_TL
4	P44GL012201	9JR4400000090	CUSHION_TR
5	P44GL012843 1A	9JR4400000093	CARTON
6	089G204A15NLS1	9JR8900000009	POWER CORD 1.5M PE8C5Z1B90A-04B
7	098GRABD2NESPJ	9JR9800000005	REMOTE CONTROL RC-SHARP-420 FOR SHARP
8	P45G9901001	9JR4500000015	PE bag(520*740)
9	705TZA4106C	9JR7050000267	DFU ASSY(Western Europe)(Eastern Europe)
9	705TZA4107A	9JR7050000150	DFU ASSY(North Europe)
10	P44GL012301	9JR4400000091	CUSHION_BL
11	P44GL012401	9JR4400000092	CUSHION_BR

**42" PACKING PARTS**





NO.	PARTS CODE	Sharp Code	DESCRIPTION
<b>[2] PACKING PARTS (LC-42LE320E(AUO))</b>			
1			SET BODY
2	705TZA34178	9JR7050000262	BASE COVER ASSY
2	P15T0737101	9JR1500000036	BRACKET_BASE
2	P12T 61036	9JR1200000008	RUBBER PAD ( φ 20X2t)
3	P44GN024101	9JR4400000094	CUSHION_TL
4	P44GN024201	9JR4400000095	CUSHION_TR
5	P44GN024843 2A	9JR4400000098	CARTON
6	089G204A15NLS1	9JR8900000009	POWER CORD 1.5M PE8C5Z1B90A-04B
7	098GRABD2NESPJ	9JR9800000005	REMOTE CONTROL RC-SHARP-420 FOR SHARP
8	P45T 46023	9JR4500000008	PE BAG(1200X1000x0.72mm)
9	705TZA4106C	9JR7050000267	DFU ASSY(Western Europe)(Eastern Europe)
9	705TZA4107A	9JR7050000150	DFU ASSY(North Europe)
10	P44GN024301	9JR4400000096	CUSHION_BL
11	P44GN024401	9JR4400000097	CUSHION_BR

# SHARP

**COPYRIGHT © 2010 BY SHARP CORPORATION**

**ALL RIGHTS RESERVED.**

No Part of this publication may be reproduced, stored in a retrieval system, or transmitted in any form or by any means, electronic, mechanical, photocopying, recording, or otherwise, without prior written permission of the publisher.

SHARP CORPORATION  
SHARP ELECTRONICS(Europe) GmbH  
Sonnistraße 3, D-20097 Hamburg