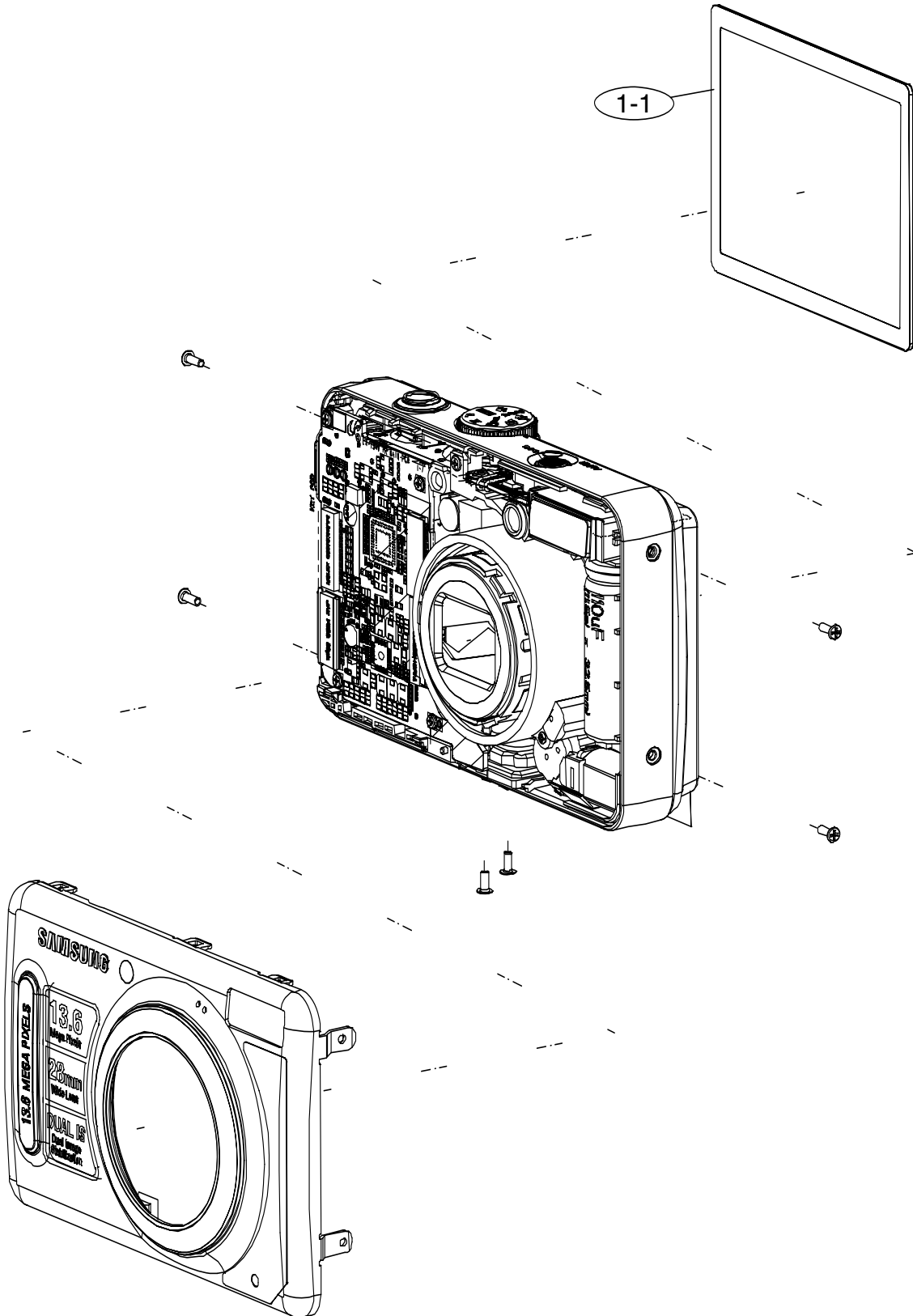


III . EXPLODED VIEW AND PART LIST

1. MAIN ASSEMBLY

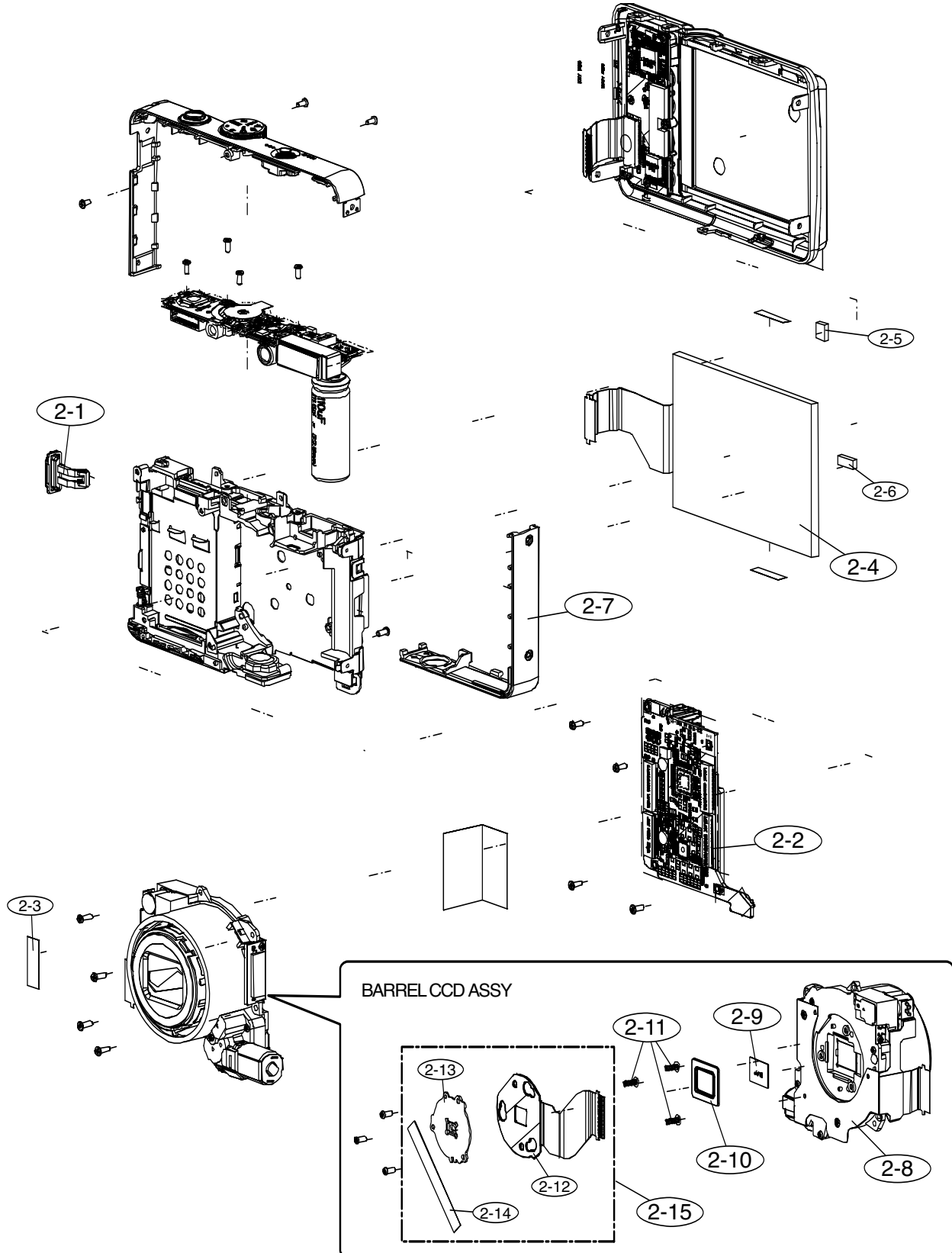


▶ PARTS LIST

Fig.No	Parts No.	Parts Name	Q'ty	Available Parts	Remarks
1-1	AD64-02378A	LCD_WINDOW	1	0	

III . EXPLODED VIEW AND PART LIST

2. BODY ASSEMBLY

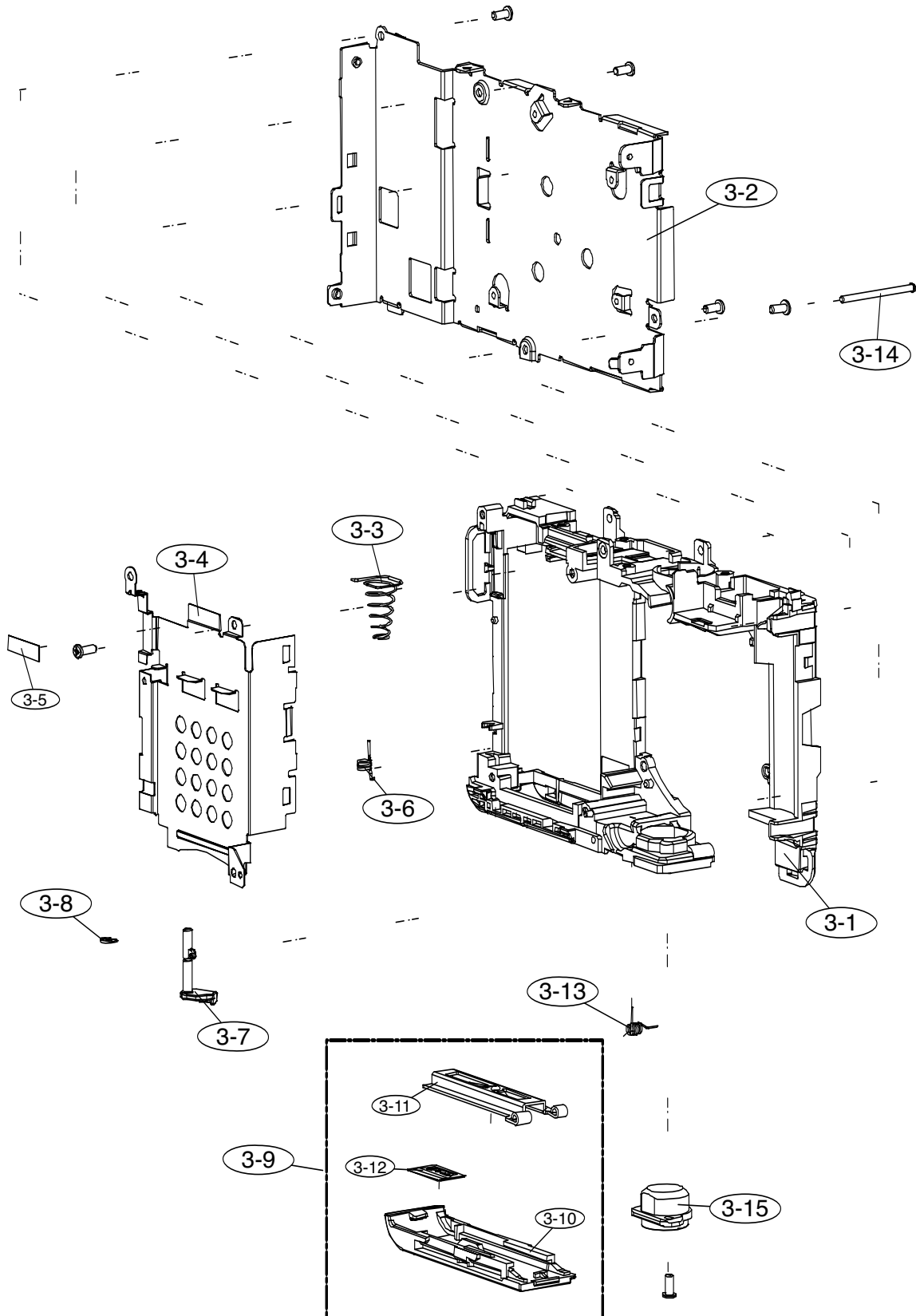


► PARTS LIST

Fig.No	Parts No.	Parts Name	Q'ty	Available Parts	Remarks
2-1	AD63-03274A	COVER CONNECTOR	1	O	
2-2	AD92-00647A	PCB ASSY-MAIN	1	O	
2-3	AD63-03416A	SHEET KEY PCB 2	1	X	
2-4	AD07-00091A	LCD MODULE	1	O	
2-5	AD63-03480A	CUSHION BACK 1	1	X	
2-6	AD63-03481A	CUSHION BACK 2	1	X	
2-7	AD63-03278A	COVER MIDDLE SIDE	1	O	
2-8	AD97-16155A	BARREL ASSY	1	O	
2-9	AD63-01247A	CUSHION-IR CUT FILTE	1	O	
2-10	AD73-00299A	RUBBER CCD SEALING	1	O	
2-11	6107-001483	CCD ADJUST SPRING	1	O	
2-12	AD92-00653A	SMD FPCB ASSY CCD	1	X	
2-13	AD61-03761A	PLATE CCD	1	X	
2-14	AD63-03473A	SHEET EMI CCD FPCB	1	X	
2-15	AD92-00645A	FPCB ASSY CCD	1	O	

III . EXPLODED VIEW AND PART LIST

3. CHAMBER ASSEMBLY

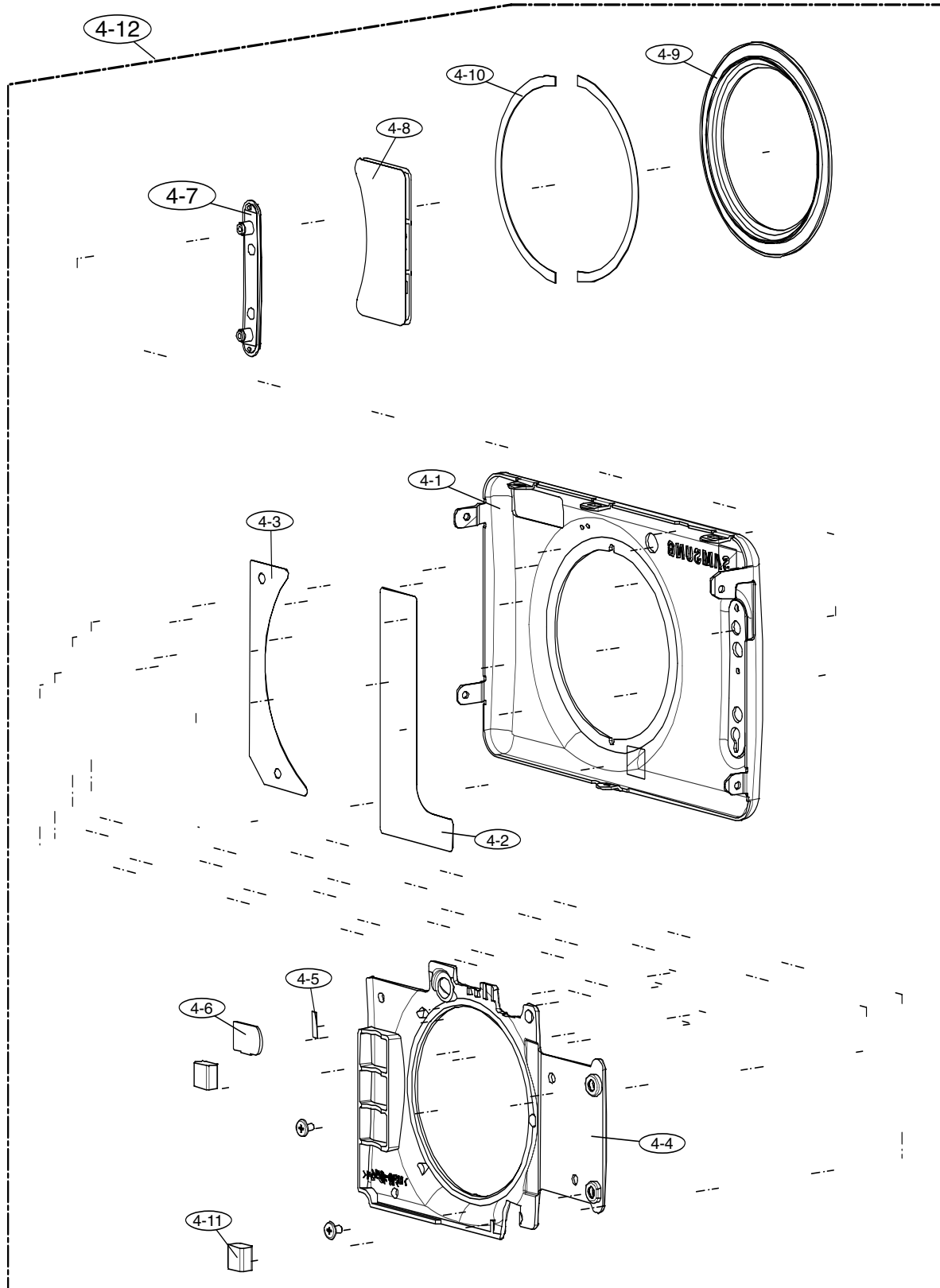


► PARTS LIST

Fig.No	Parts No.	Parts Name	Q'ty	Available Parts	Remarks
3-1	AD62-00088A	CHAMBER BODY	1	O	
3-2	AD61-03781A	FRAME MAIN	1	O	
3-3	6107-001556	SPRING-CS(BATTERY PUSH SPRING)	1	O	
3-4	AD61-03782A	PLATE BATTERY TOP	1	O	
3-5	AD63-03461A	SHEET TOP PLATE	1	X	
3-6	6107-001525	SPRING TS(BATTERY LOCK LEVER)	1	O	
3-7	AD66-00613A	LEVER BATTERY LOCK	1	O	
3-8	6044-001137	E-RING	1	O	
3-9	AD97-16190A	COVER ASSY BATTERY	1	O	
3-10	AD63-03279A	COVER BATTERY	1	X	
3-11	AD68-03199A	LABEL BATTERY	1	X	
3-12	AD61-03786A	PLATE BATTERY COVER	1	X	
3-13	6107-001549	SPRING TS(BATTERY COVER OPEN)	1	O	
3-14	AD61-03784A	HINGE-BATTERY COVER	1	O	
3-15	AD61-03780A	HOLDER TRIPOD	1	O	

III . EXPLODED VIEW AND PART LIST

4. FRONT COVER ASSEMBLY

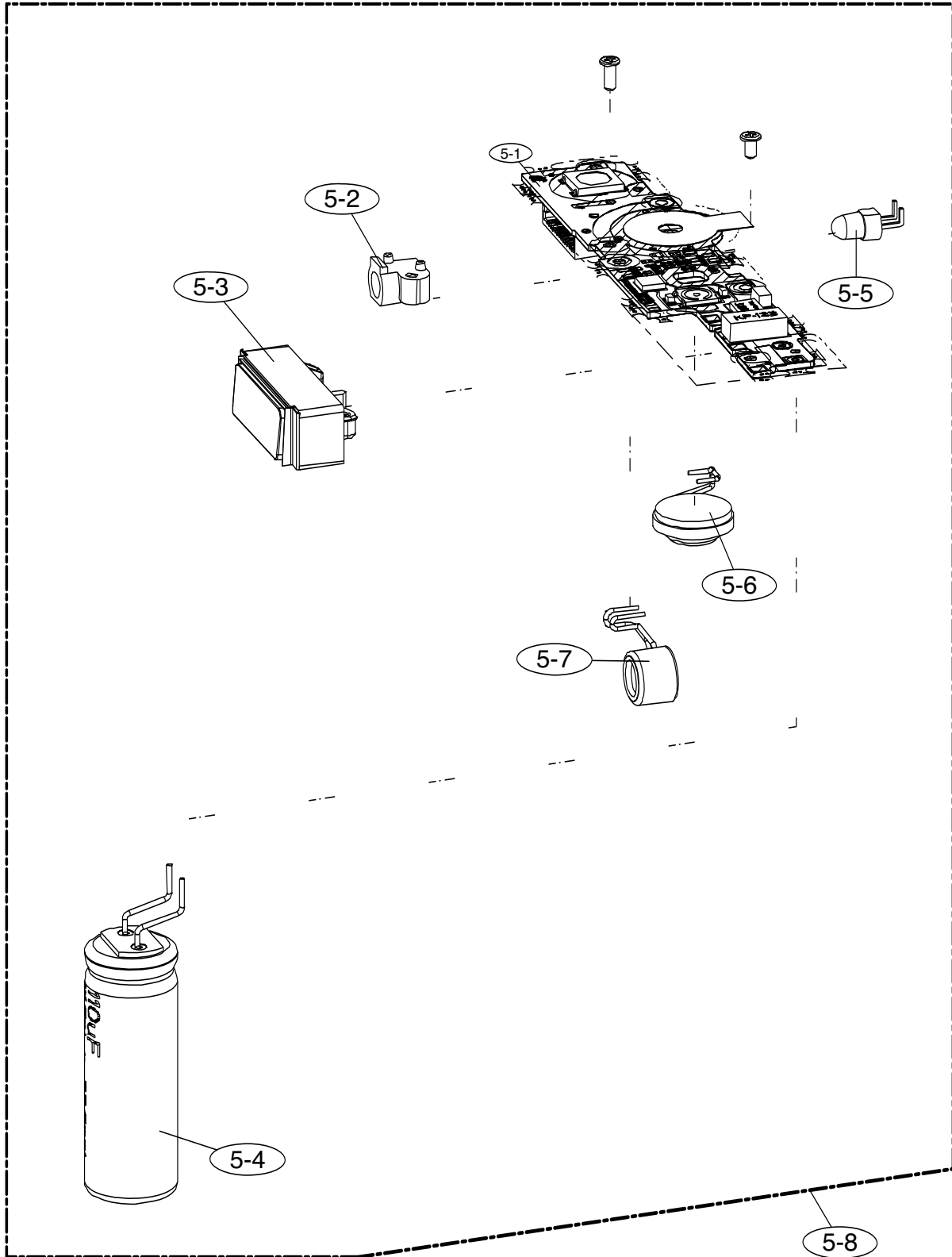


► PARTS LIST

Fig.No	Parts No.	Parts Name	Q'ty	Available Parts	Remarks
4-1	AD63-03280A	FRONT_COVER-L4_134W	1	X	
4-2	AD63-03302A	SHEET-FRONT INNER INSUL	1	X	
4-3	AD63-03290A	T/SHEET-COVER 2	1	X	
4-4	AD63-01825A	COVER FRONT INNER	1	X	
4-5	AD63-03437A	T/SHEET AF LED WINDOW	1	X	
4-6	AD64-02375A	WINDOW LED-AF	1	X	
4-7	AD63-03276A	GRIP DECO	1	O	
4-8	AD68-03238A	LABEL PRODUCT	1	X	
4-9	AD64-02380A	DECORATION-FRONT RING	1	X	
4-10	AD63-02473A	T/SHEET-FRONT DECO	2	X	
4-11	AD63-03472A	CUSHION SHIELD FOAM MAIN	2	X	
4-12	AD97-16196A	FRONT COVER ASSY_VLUU L310	1	O	SILVER
	AD97-16197A	FRONT COVER ASSY_SAMSUNG L310	1	O	SILVER
	AD97-16198A	FRONT COVER ASSY_藍調 L310	1	O	SILVER
	AD97-16199A	FRONT COVER ASSY_SAMSUNG SL310	1	O	SILVER
	AD97-16265A	FRONT COVER ASSY_VLUU L310	1	O	BLACK
	AD97-16266A	FRONT COVER ASSY_SAMSUNG L310	1	O	BLACK
	AD97-16267A	FRONT COVER ASSY_藍調 L310	1	O	BLACK
	AD97-16268A	FRONT COVER ASSY_SAMSUNG SL310	1	O	BLACK
	AD97-16269A	FRONT COVER ASSY_VLUU L310	1	O	BROWN
	AD97-16270A	FRONT COVER ASSY_SAMSUNG L310	1	O	BROWN
	AD97-16271A	FRONT COVER ASSY_藍調 L310	1	O	BROWN
	AD97-16272A	FRONT COVER ASSY_SAMSUNG SL310	1	O	BROWN
	AD97-16273A	FRONT COVER ASSY_VLUU L310	1	O	PINK
	AD97-16274A	FRONT COVER ASSY_SAMSUNG L310	1	O	PINK
	AD97-16275A	FRONT COVER ASSY_藍調 L310	1	O	PINK
AD97-16276A	FRONT COVER ASSY_SAMSUNG SL310	1	O	PINK	

III . EXPLODED VIEW AND PART LIST

5. TOP PCB ASSEMBLY

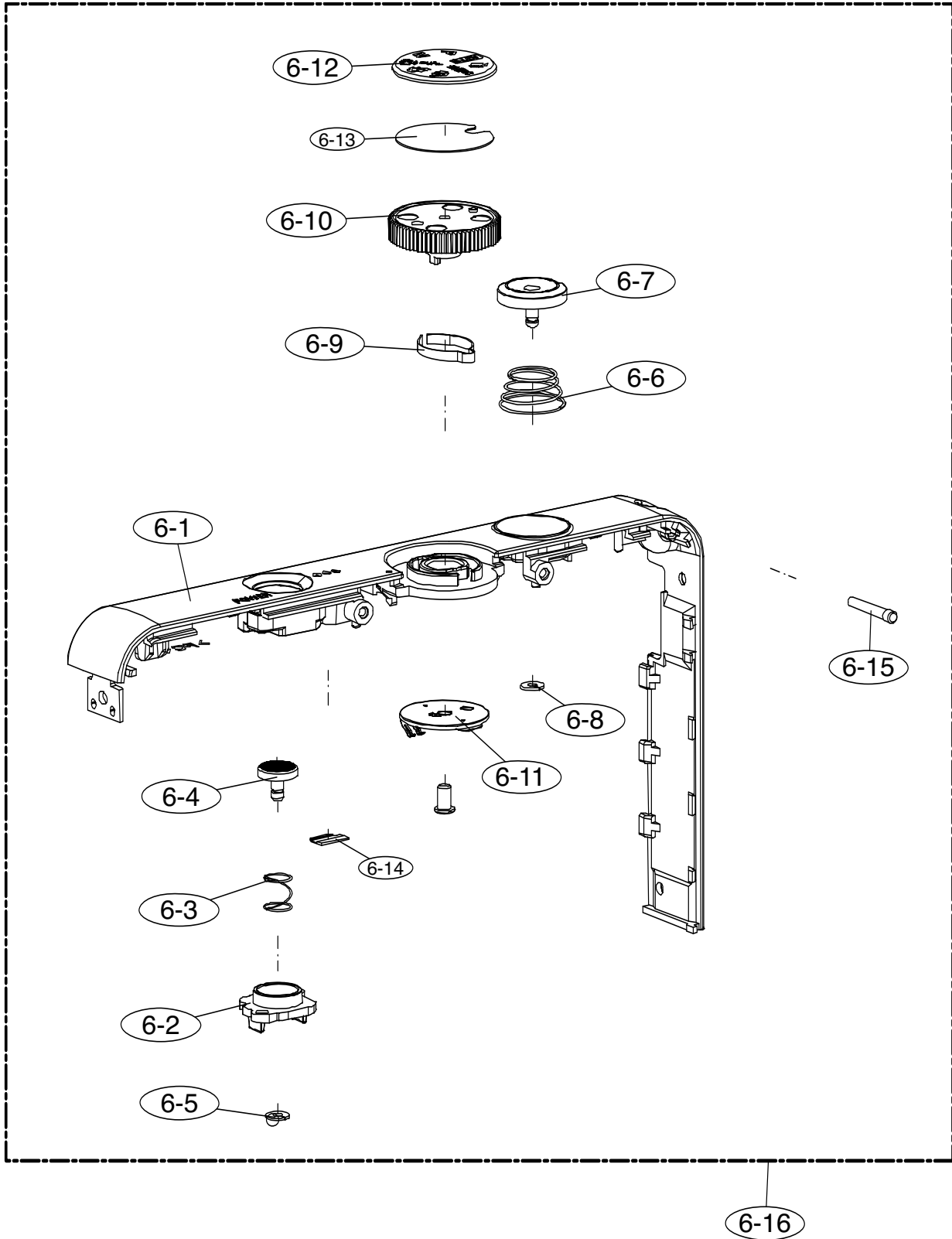


► PARTS LIST

Fig.No	Parts No.	Parts Name	Q'ty	Available Parts	Remarks
5-1	AD92-00651A	SMD PCB ASSY-TOP	1	X	
5-2	AD61-03778A	HOLDER AF LED	1	O	
5-3	AD97-16191A	FLASH MODULE ASS'Y	1	O	
5-4	2401-004416	MAIN CONDENSOR	1	O	
5-5	0601-002515	AF LCD TLOE50T	1	O	
5-6	3001-002423	SPEAKER	1	O	
5-7	3003-001134	MIC-CONDENSOR	1	O	
5-8	AD92-00648A	TOP PCB ASSY	1	O	

III . EXPLODED VIEW AND PART LIST

6. MIDDLE COVER ASSEMBLY

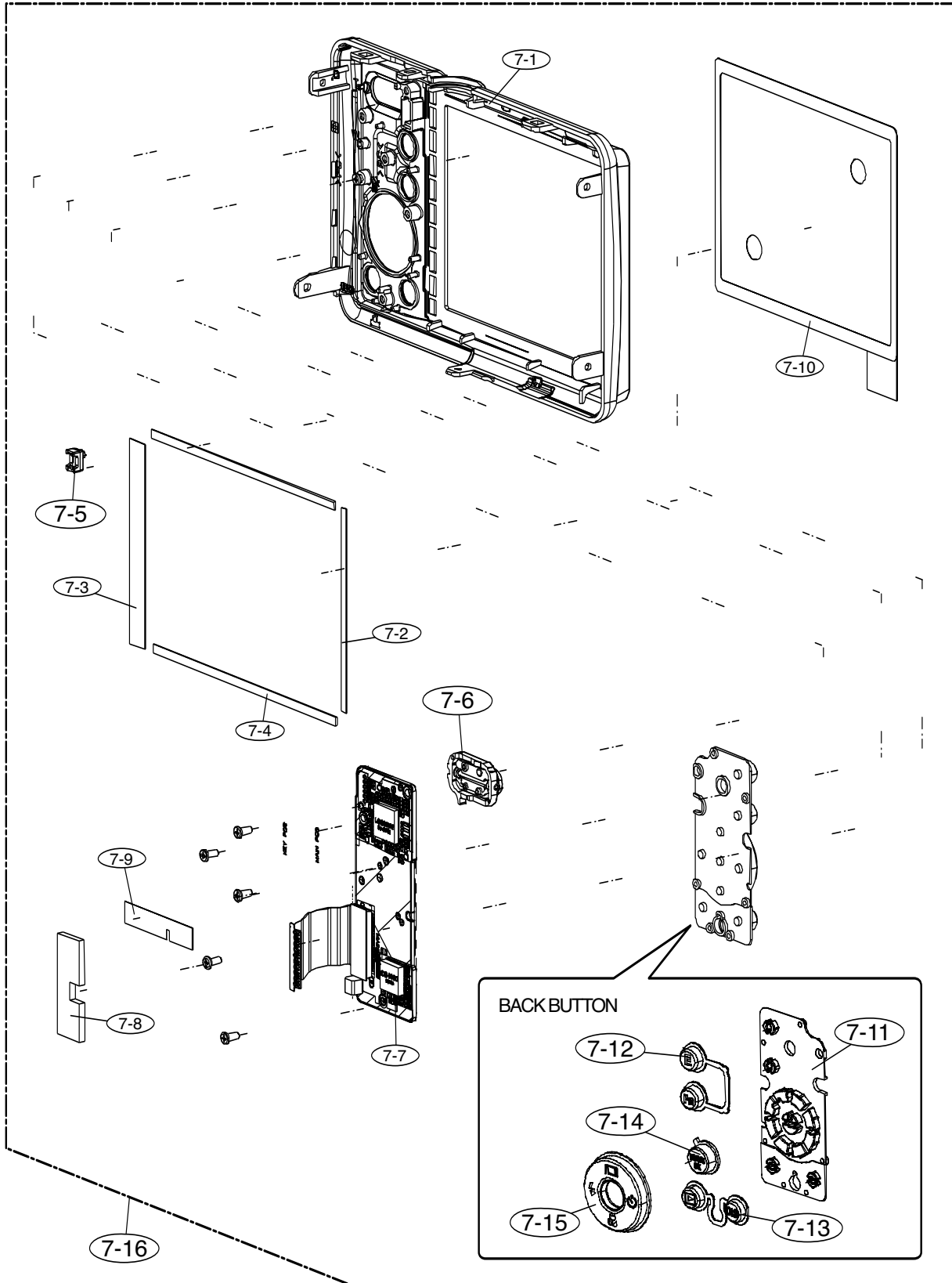


► PARTS LIST

Fig.No	Parts No.	Parts Name	Q'ty	Available Parts	Remarks
6-1	AD63-03277A	COVER MIDDLE	1	O	
6-2	AD64-02376A	WINDOW LED POWER	1	O	
6-3	6107-001439	POWER BUTTON SPRING	1	O	
6-4	AD64-02131A	POWER BUTTON	1	O	
6-5	6031-001628	WASHER-PLAIN	1	O	
6-6	6107-001555	SPRING TS(RELEASE BUTTON)	1	O	
6-7	AD64-02377A	BUTTON RELEASE	1	O	
6-8	6031-001628	WASHER-PLAIN	1	O	
6-9	AD61-03205A	MODE CLICK PLATE	1	O	
6-10	AD64-02415A	KNOB MODE DIAL	1	O	
6-11	AD97-14371A	MODE COTACT ASSY	1	O	
6-12	AD67-00968A	CAP KNOB MODE DIAL	1	O	
6-13	AD63-02493A	MODE DIAL CAP TAPE	1	X	
6-14	AD63-03304A	SHEET SPEAKER	1	X	
6-15	AD61-03783A	HINGE STRAP	1	O	
6-16	AD97-16192A	COVER ASSY-MIDDLE	1	O	

III . EXPLODED VIEW AND PART LIST

7. BACK COVER ASSEMBLY

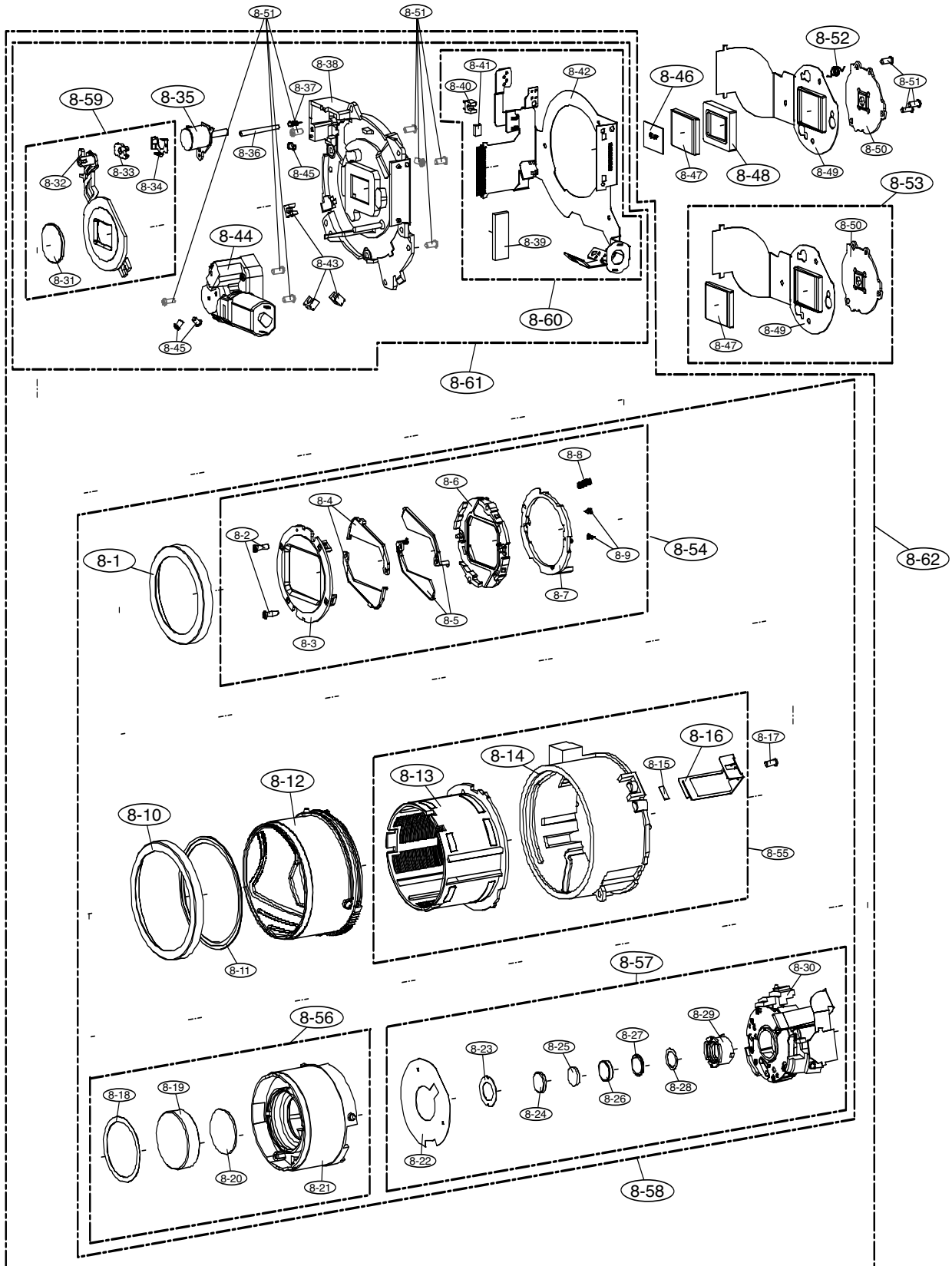


► PARTS LIST

Fig.No	Parts No.	Parts Name	Q'ty	Available Parts	Remarks
7-1	AD63-03275A	BACK_COVER	1	X	
7-2	AD63-03308A	CUSHION LCD 1	1	X	
7-3	AD63-03309A	CUSHION LCD 2	1	X	
7-4	AD63-03310A	CUSHION LCD 3	1	X	
7-5	AD64-02379A	WINDOW REAR ACCESS	1	O	
7-6	AD97-16195A	ASSY ZOOM BUTON	1	O	
7-7	AD92-00649A	PCB ASSY KEY	1	O	
7-8	AD63-03482A	CUSHION BACK 3	1	X	
7-9	AD63-03474A	SHEET BACK COVER	1	X	
7-10	AD63-03288A	T/SHEET LCD WINDOW	1	X	
7-11	AD73-00297A	RUBBER BACK BUTTON	1	O	
7-12	AD64-02384A	BUTTON FUNCTION 1	1	O	
7-13	AD64-02385A	BUTTON FUNCTION 2	1	O	
7-14	AD64-02382A	BUTTON OK	1	O	
7-15	AD64-02383A	BUTTON NAVI	1	O	
7-16	AD97-16193A	BACK COVER ASSY	1	O	SILVER
	AD97-16262A	BACK COVER ASSY	1	O	BLACK
	AD97-16263A	BACK COVER ASSY	1	O	BROWN
	AD97-16264A	BACK COVER ASSY	1	O	PINK

III . EXPLODED VIEW AND PART LIST

8. BARREL ASSEMBLY



► PARTS LIST

Fig.No	Parts No.	Parts Name	Q'ty	Available Parts	Remarks
8-1	AD64-02394A	DECO RING-FRONT	1	O	
8-2	6002-001418	BARRIER SCREW_A-SZA8518	2	X	
8-3	AD64-02291A	PANEL FRONT	1	X	
8-4	AD63-02965A	BARRIER-C	2	X	
8-5	AD63-02964A	BARRIER-A	2	X	
8-6	AD61-03698A	BASE-BARRIER	1	X	
8-7	AD66-00594A	LEVER-BARRIER	1	X	
8-8	6107-001512	SPRING-ES	1	X	
8-9	6107-001508	SPRING-TS	2	X	
8-10	AD64-02395A	DECO RING-CAM	1	O	
8-11	AD63-02957A	T/SHEET-CAM	1	X	
8-12	AD67-00844A	BARREL-CAM	1	O	
8-13	AD67-00843A	BARREL-GUIDE	1	O	
8-14	AD67-00842A	BARREL-OUTER_GUIDE	1	O	
8-15	AD63-02532A	BOND TAPE-C	1	X	
8-16	AD61-03686A	GUIDE-SHUTTER_FPCB	1	O	
8-17	6003-001643	SCREW_1430_TAPTITE	1	X	
8-18	AD63-02955A	T/SHEET-1ST_SHIELD	1	X	
8-19	AD67-00853A	LENS ASP LENS-G1	1	X	
8-20	AD67-00856A	LENS SP LENS-G2	1	X	

III . EXPLODED VIEW AND PART LIST

▶ PARTS LIST

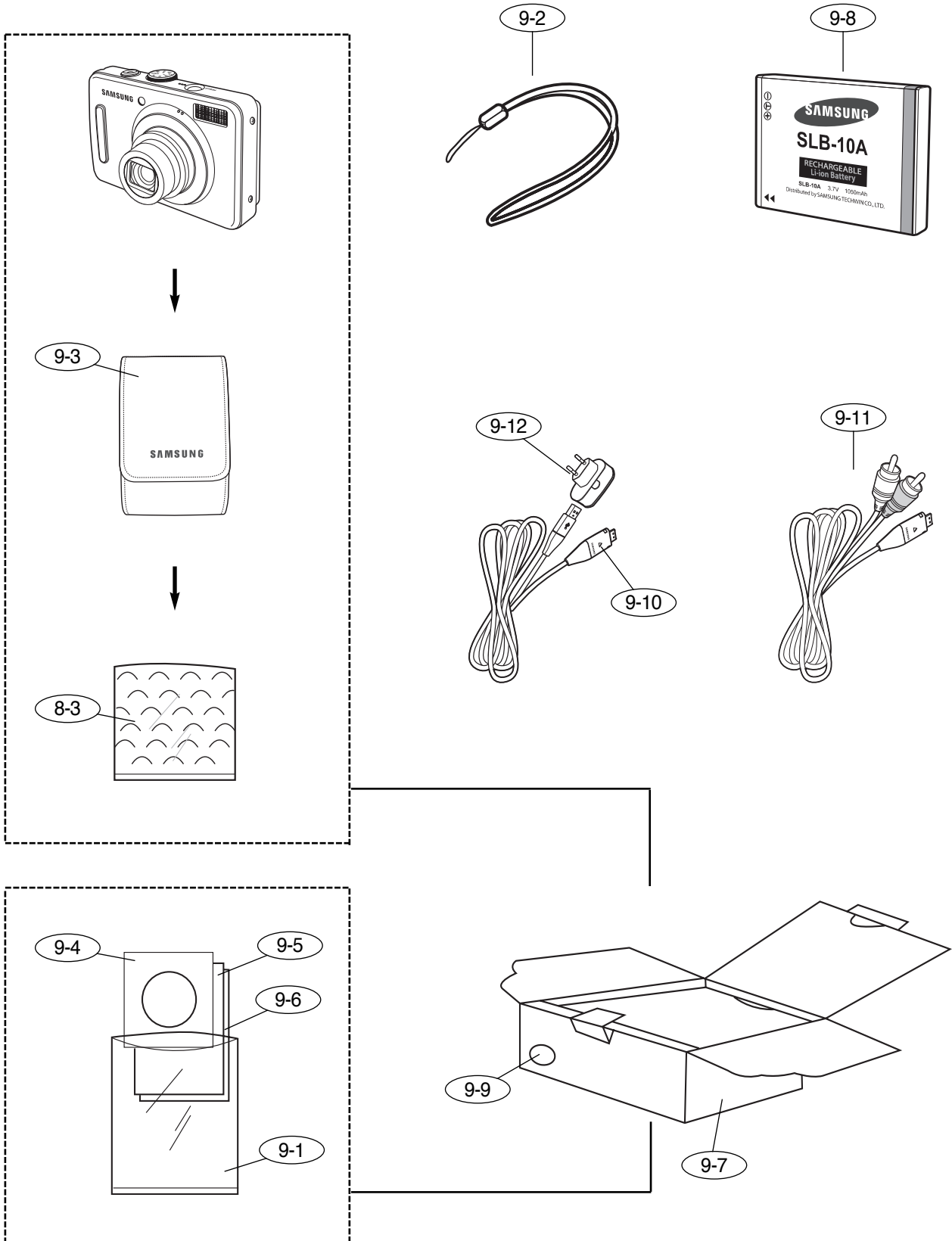
Fig.No	Parts No.	Parts Name	Q'ty	Available Parts	Remarks
8-21	AD67-00840A	BARREL-ZOOM_RING	1	X	
8-22	AD63-03020A	T/SHEET-SHUTTER	1	X	
8-23	AD63-02956A	T/SHEET-2ND_SHIELD_A	1	X	
8-24	AD67-00854A	LENS ASP LENS-G3	1	X	
8-25	AD67-00857A	LENS SP LENS-G4	1	X	
8-26	AD67-00858A	LENS SP LENS-G5	1	X	
8-27	AD67-00859A	LENS SP LENS-G6	1	X	
8-28	AD63-02970A	T/SHEET-2ND_SHIELD_B	1	X	
8-29	AD67-00846A	BARREL-2ND	1	X	
8-30	AD97-15550A	SHUTTER ASSY-OIS	1	X	
8-31	AD67-00855A	LENS ASP LENS-G7	1	X	
8-32	AD67-00845C	BARREL-3RD	1	X	
8-33	AD61-03802A	CLIP-AF	1	X	
8-34	AD61-03699A	HOLDER-AF_CLIP	1	X	
8-35	AD97-15564A	MOTOR ASSY-AF	1	O	
8-36	AD66-00593A	SHAFT-AF	1	X	
8-37	6107-001513	SPRING-ES	1	X	
8-38	AD67-00841C	BASE LENS	1	X	
8-39	3708-002493	CONNECTOR_NV2_104W_OPS_16PIN	1	X	
8-40	0604-001302	PHOTO-INTERRUPTER	1	X	
8-41	1103-000187	EEPROM-TH103	1	X	

► PARTS LIST

Fig.No	Parts No.	Parts Name	Q'ty	Available Parts	Remarks
8-42	AD41-01205A	FPC-MAIN	1	X	BLACK
8-43	0604-001376	PHOTO_INTERRUPTER_L4	3	X	
8-44	AD97-15547A	ZOOM MODULE ASSY	1	O	
8-45	6003-001632	SCREW	3	X	
8-46	AD63-01247A	IR_CUT_FILTER	1	O	
8-47	0605-001150	CCD	1	X	
8-48	AD73-00299A	RUBBER_CCD_SEALING	1	O	
8-49	AD41-01208A	FPC_CCD	1	X	
8-50	AD61-03761A	PLATE_CCD	1	X	
8-51	6003-001697	SCREW B	8	X	
8-52	6107-001483	SPRING	3	O	
8-53	AD92-00645A	PCB ASSY-CCD	1	O	
8-54	AD97-15546A	SUB BARREL ASSY-BARRIER	1	O	
8-55	AD97-16158A	SUB BARREL ASSY-CAM	1	X	
8-56	AD97-15526A	SUB BARREL ASSY-ZOOM_RING	1	O	
8-57	AD97-15527A	SUB BARREL ASSY-2ND	1	O	
8-58	AD97-16156A	SUB BARREL ASSY	1	O	
8-59	AD97-15528A	SUB BARREL ASSY-3RD	1	O	
8-60	AD97-16111A	FPCB ASSY-MAIN	1	O	
8-61	AD97-16157A	SUB BARREL ASSY-LENS_BASE	1	O	
8-62	AD97-16155A	BARREL ASSY	1	O	

III . EXPLODED VIEW AND PART LIST

9. PACKING ITEM



► PARTS LIST

Fig.No	Parts No.	Parts Name	Q'ty	Available Parts	Remarks
9-1	6902-000924	PE BAG (FOR CAMERA)	1	O	
	6902-000921	PE BAG (FOR ACCESSORY)	1	O	
9-2	AD63-02596A	STRAP_KENOX_S730_SILVER	1	O	
	AD63-02604A	STRAP_KENOX_S860_BLACK	1	O	
9-3	AD69-01815A	POUCH_L310W_SILVER	1	O	
	AD69-01816A	POUCH_L310W_BLACK	1	O	
9-4	AD46-00195A	SAMSUNG_CD_L310W	1	O	
	AD46-00196A	Samsung_CD_SL310W_USA	1	O	
9-5	AD68-03139A	U_VLUU_L310W	1	O	
	AD68-03140A	U_LANDIAO L310W_CHI	1	O	
	AD68-03141A	USER_MANUAL_L310W_EUR1	1	O	
	AD68-03142A	U_L310W_EUR2	1	O	
	AD68-03143A	U_L310W_ASIA	1	O	
	AD68-03144A	U_L310W_AMERICA	1	O	
	AD68-03145A	U_SL310W_AMERICA_USA	1	O	
	AD68-03146A	U_L310W_EUR3	1	O	

III . EXPLODED VIEW AND PART LIST

► PARTS LIST

Fig.No	Parts No.	Parts Name	Q'ty	Available Parts	Remarks
9-6	6801-001642	WARRANTY CARD_KOREA	1	O	
	6801-001646	WARRANTY CARD_EXP	1	O	
	6801-001658	WARRANTY CARD_2 YEARS	1	O	
	6801-001650	WARRANTY CARD_RUS(3 YEARS)	1	O	
	6801-001675	WARRANTY CARD_TSOE(CHINA)_PRODUCT	1	O	
	6801-001663	A/S M_U_CHI(TSOE)	1	O	
	6801-001647	CARD_PRODUCT(Mexico)	1	O	
	6801-001656	WARRANTY CARD_IRAN	1	O	
	6801-001659	WARRANTY CARD_TURKEY	1	O	
	6801-001660	SERVICE_CENTER_TURKEY	1	O	
	6801-001662	WARRANTY_CARD_Argentina	1	O	
	6801-001664	LOCAL_WARRANTY_CARD_INDIA	1	O	
	6801-001665	LOCAL_WARRANTY CARD_ITALIA	1	O	
	AD68-02558A	PRC_CARD_RUSSIA	1	O	
	6801-001681	WARRANTY CARD_CANADA	1	O	
	6801-001564	WARRANTY_CARD_Vietnam	1	O	

► PARTS LIST

Fig.No	Parts No.	Parts Name	Q'ty	Available Parts	Remarks
9-7	AD69-01809A	GT_BOX_VLUU_L310W	1	O	
	AD69-01810A	GT_BOX_L310W_CHI	1	O	
	AD69-01811A	GT_BOX_L310W_EXP_AUS_BIG	1	O	
	AD69-01812A	GT_BOX_L310W_EXP_AUS_SMALL	1	O	
	AD69-01813A	GT_BOX_SL310W_USA	1	O	
	AD69-01814A	GT_BOX_L310W_CAN	1	O	
9-8	4302-001221	LITHIUM-ION_SLB-10A	1	O	
9-9	AD81-01565A	GT_COLOR_STICKER_L70_Silver	1	O	
	AD81-01535A	COLOR STICKER_Digimax S500_BLACK	1	O	
	AD81-01572A	COLOR STICKER_Digimax S730_PINK	1	O	
	AD68-02947A	GT_COLOR STICKER_I100_Brown	1	O	
9-10	AD39-00147A	20PIN_USB_Cable_SUC-C3	1	O	
9-11	AD39-00146A	20PIN_AV_CABLE_SCC-AV20	1	O	
9-12	AD44-00129A	AC_ADAPTOR_4.2V (SAC-47)_KOR	1	O	
	AD44-00133A	AC_ADAPTOR_4.2V (SAC-47)_EXP	1	O	
	AD44-00131A	AC_ADAPTOR_4.2V (SAC-47)_USA	1	O	
	AD44-00130A	AC_ADAPTOR_4.2V (SAC-47)_UK	1	O	
	AD44-00135A	AC_ADAPTOR_4.2V (SAC-47)_AUS	1	O	
	AD44-00134A	AC_ADAPTOR_4.2V (SAC-47)_CHI_TSOE	1	O	
	AD44-00132A	AC_ADAPTOR_4.2V (SAC-47)_ARG	1	O	