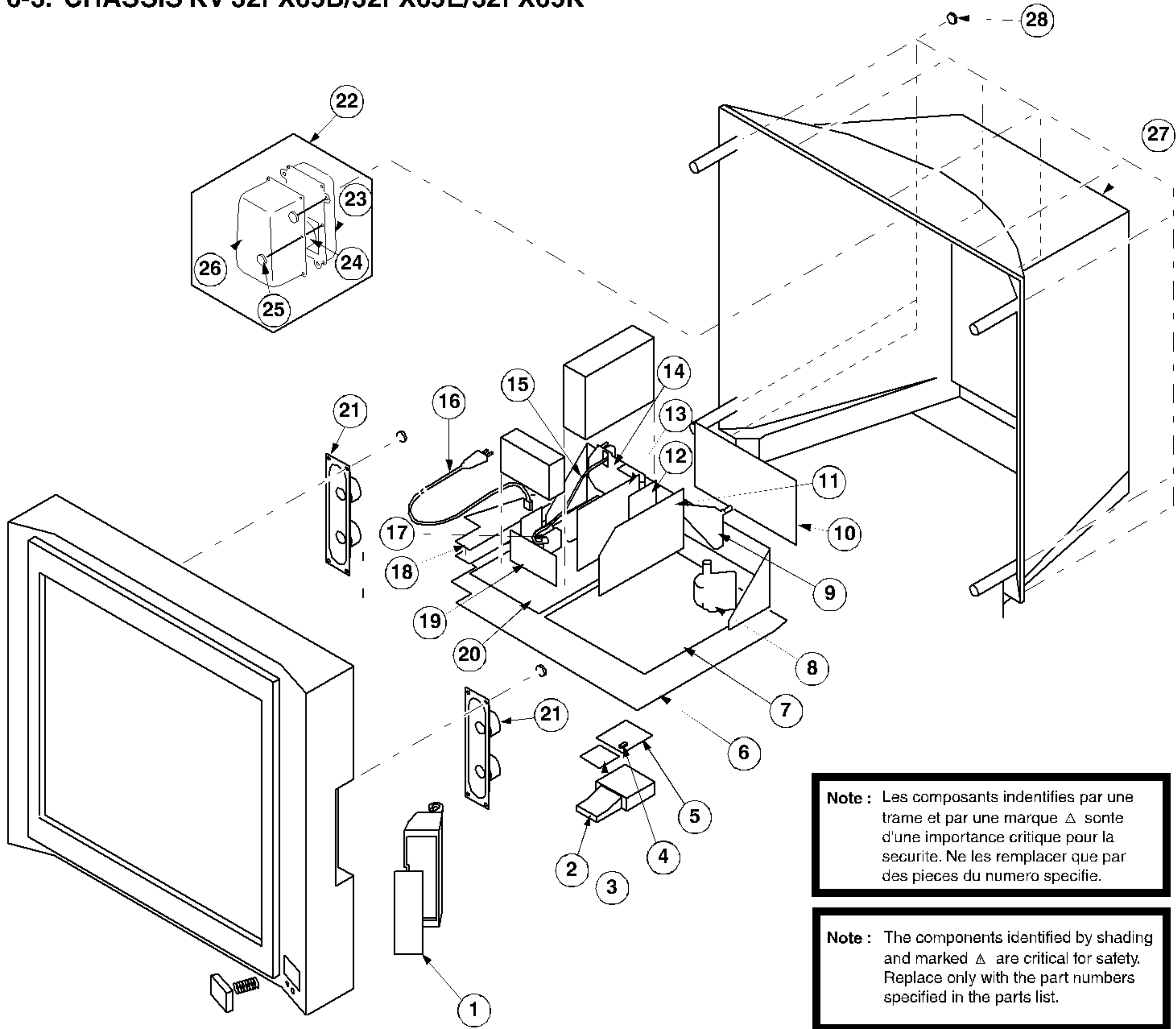


### 6-3. CHASSIS KV 32FX65B/32FX65E/32FX65K



**Note :** Les composants indentifiés par une trame et par une marque  $\Delta$  sont d'une importance critique pour la securite. Ne les remplacer que par des pieces du numero specifie.

**Note :** The components identified by shading and marked  $\Delta$  are critical for safety. Replace only with the part numbers specified in the parts list.

REF. NO.	PART.NO	DESCRIPTION	REMARK	REF. NO.	PART.NO	DESCRIPTION	REMARK
1	*A-1646-218-A	H7 BOARD, COMPLETE		16	$\Delta$ 1-792-389-11	CORD, POWER	
2	*4-205-724-01	F4, H7 BRACKET		17	1-693-340-11	TUNER/VIF (FR) (KV-32FX65B)	
3	*A-1646-217-A	H8 BOARD, COMPLETE			1-693-338-11	TUNER/VIF (AEP) (KV-32FX65E/32FX65K)	
4	$\Delta$ 1-571-433-21	SWITCH, PUSH (AC POWER)		18	*A-1624-086-A	F1 BOARD, COMPLETE	
5	*A-1624-089-A	F4 BOARD, COMPLETE		19	*A-1634-057-A	M1 BOARD, COMPLETE	
6	*4-205-196-02	MAIN BRACKET		20	*A-1632-916-A	A BOARD, COMPLETE (KV-32FX65B)	
7	*A-1640-399-A	D BOARD, COMPLETE			*A-1632-917-A	A BOARD, COMPLETE (KV-32FX65E/32FX65K)	
8	$\Delta$ 1-453-340-21	TRANSFORMER ASSY, FLYBACK (NX4522/U214)		21	1-529-899-11	SPEAKER (24X4.2CM)	
9	*4-204-476-04	BRACKET, J1		22	*A-1678-191-A	WOOFER ASSY (SP) 23-26	
10	*A-1651-137-A	J BOARD, COMPLETE		23	*4-204-775-01	BAFFLE, WOOFER	
11	*A-1640-322-A	D1 BOARD, COMPLETE		24	1-529-417-11	SPEAKER (8CM)	
12	*A-1640-381-A	E BOARD, COMPLETE		25	7-685-663-71	SCREW +BVTP 4X16 TYPE 2 IT-3	
13	*A-1620-133-A	B1 BOARD, COMPLETE		26	*4-204-776-01	BOX, WOOFER	
14	*4-204-477-04	BRACKET, J2		27	4-205-540-01	REAR COVER	
15	1-790-082-11	CABLE, RF		28	7-685-663-79	SCREW +BVTP 4X16 TYPE 2 IT-3	