

SECTION 6 EXPLODED VIEWS

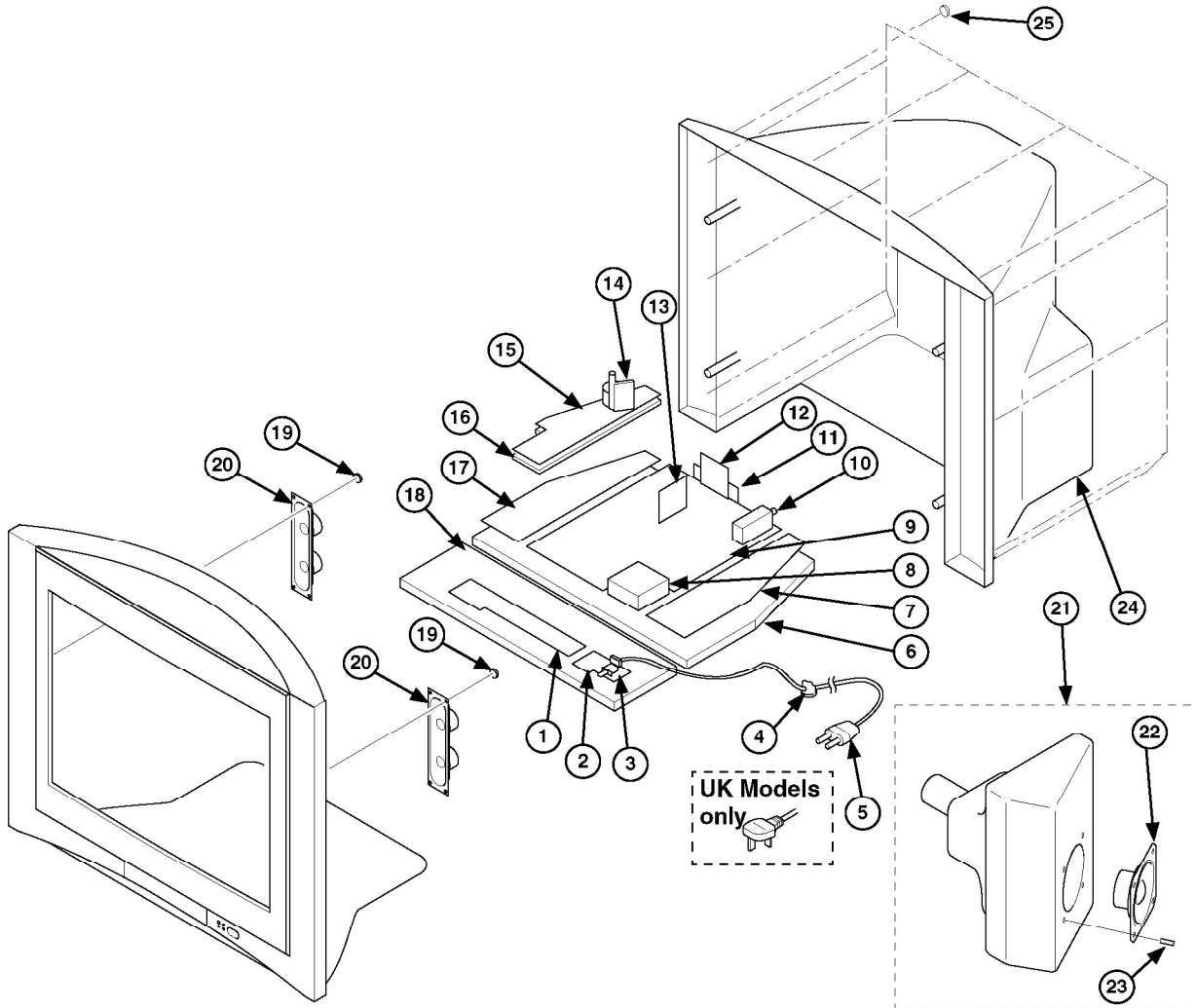
NOTE :

- Items with no part number and no description are not stocked because they are seldom required for routine service.
- The construction parts of an assembled part are indicated with a collation number in the remarks column.
- Items marked “*” are not stocked since they are seldom required for routine service. Some delay should be anticipated when ordering these items.

Note : Les composants identifiés par une trame et par une marque Δ sont d'une importance critique pour la sécurité. Ne les remplacer que par des pièces du numéro spécifié.

Note : The components identified by shading and marked Δ are critical for safety. Replace only with the part numbers specified in the parts list.

6-1. CHASSIS



REF.NO.	PART.NO	DESCRIPTION	REMARK	REF.NO.	PART.NO	DESCRIPTION	REMARK
1	*A-1405-609-A	H1 BOARD COMPLETE		14	Δ 1-453-378-21	TRANSFORMER ASSY, FLYBACK (NX-6020//Z214)	
2	*A-1405-611-A	F1 BOARD, COMPLETE					(KV-28FQ86)
3	Δ 1-571-433-21	SWITCH, PUSH (AC POWER)			Δ 1-453-444-21	TRANSFORMER ASSY, FLYBACK (NX-6020//Z2B4)	
4	*4-202-531-01	AC CORD LOCK (SC)					(KV-32FQ86)
5	Δ *1-783-083-11	CORD, POWER (WITH FILTER)		15	*A-1302-547-A	D2 BOARD, COMPLETE KV-28FQ86	
6	*4-095-739-02	BRACKET, MAIN			*A-1302-549-A	D2 BOARD, COMPLETE KV-32FQ86	
7	A-1302-963-A	G BOARD, COMPLETE		16	*4-095-738-01	BRACKET, D2	
8	1-456-510-11	COIL, CHOKE 48.5MMH		17	*A-1302-964-A	D BOARD, COMPLETE KV-28FQ86	
9	*A-1302-961-A	A BOARD, COMPLETE (KV-28FQ86B KV-32FQ86B)			*A-1302-971-A	D BOARD, COMPLETE KV-32FQ86	
	*A-1302-962-A	A BOARD, COMPLETE (KV-28FQ86E KV-32FQ86E/K)		18	*4-093-898-11	BRACKET, H	
	*A-1302-972-A	A BOARD, COMPLETE (KV-32FQ86U)		19	4-058-870-01	SCREW (4x16)W(+)P TAPPING	
10	8-598-529-10	FRONTEND BTF-EU611 (KV-32FQ86U)		20	1-529-408-11	SPEAKER (4.2x24CM)	
	8-598-533-10	FRONTEND BTF-EC411 (KV-28FQ86E, KV-32FQ86E/K)		21	*A-1603-084-A	WOOFER COMPLETE ASSY	22-23
	8-598-535-20	FRONTEND BTF-EF411 (KV-28FQ86B, KV-32FQ86B)		22	1-529-417-11	SPEAKER (8CM)	
11	*4-100-801-01	SUPPORTER, J		23	7-685-663-71	SCREW +BVTP 4x16 TYPE2 IT-3	
12	*A-1405-623-A	J BOARD, COMPLETE		24	4-093-829-11	REAR COVER (KV-28FQ86)	
13	*A-1302-965-A	B BOARD, COMPLETE			4-093-896-31	REAR COVER (KV-32FQ86)	
				25	7-685-648-79	SCREW +BVTP 3x12 TYPE2 IT-3	