

SECTION 6 EXPLODED VIEWS

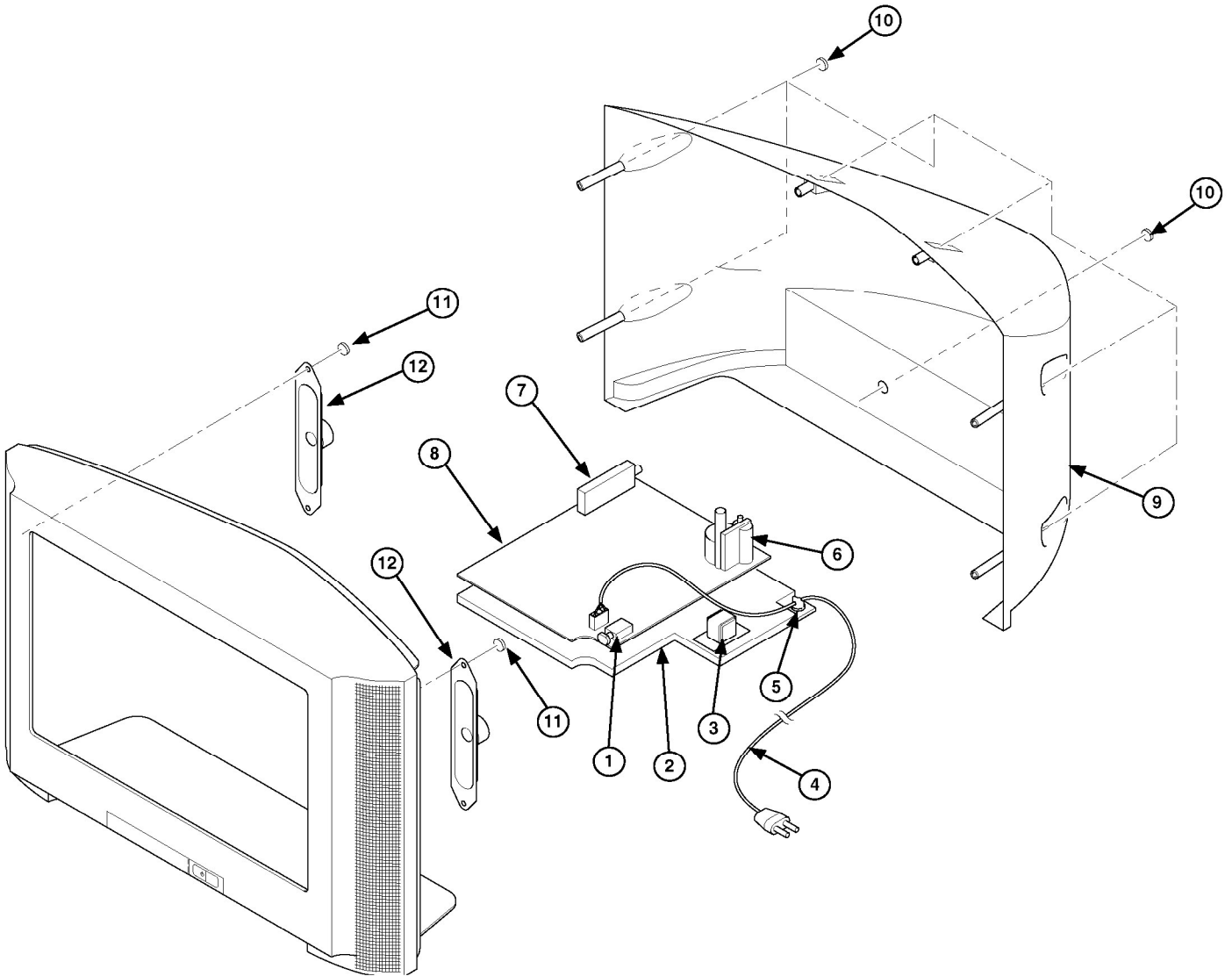
NOTE :

- Items with no part number and no description are not stocked because they are seldom required for routine service.
- The construction parts of an assembled part are indicated with a collation number in the remarks column.
- Items marked “*” are not stocked since they are seldom required for routine service. Some delay should be anticipated when ordering these items.

6-1. CHASSIS

Note : Les composants indentifiés par une trame et par une marque Δ sont d'une importance critique pour la sécurité. Ne les remplacer que par des pièces du numéro spécifié.

Note : The components identified by shading and marked Δ are critical for safety. Replace only with the part numbers specified in the parts list.



REF.NO.	PART.NO	DESCRIPTION	REMARK	REF.NO.	PART.NO	DESCRIPTION	REMARK
1	△ 1-571-433-21	SWITCH, PUSH (AC POWER)		8	*A-1302-816-A	A BOARD, COMPLETE (KV-29CL11B)	
2	*4-093-663-01	BRACKET, MAIN			*A-1302-794-A	A BOARD, COMPLETE (KV-29CL11E/29CL11K)	
3	△ 1-424-733-11	COIL, PFC CHOKE 65MMH		9	X-4042-303-2	REAR COVER ASSY	
4	△ 1-823-715-11	CORD, POWER		10	7-685-663-71	SCREW +BVTP 4X16 TYPE2 IT-3	
5	*4-202-531-01	AC CORD LOCK (SC)		11	4-058-870-01	SCREW, (4X16) W(+) P TAPPING	
6	△ 1-453-372-21	TRANSFORMER ASSY, FLYBACK (NX-4521//Z214)		12	1-529-988-11	SPEAKER (4.2X24CM)	
7	8-598-535-20	FRONTEND BTF-EF411 (KV-29CL11B)					
	8-598-533-10	FRONTEND BTF-EC411 (KV-29CL11E/29CL11K)					