

SECTION 6 EXPLODED VIEWS

Note : Les composants identifiés par une trame et par une marque Δ sont d'une importance critique pour la sécurité. Ne les remplacer que par des pièces du numéro spécifié.

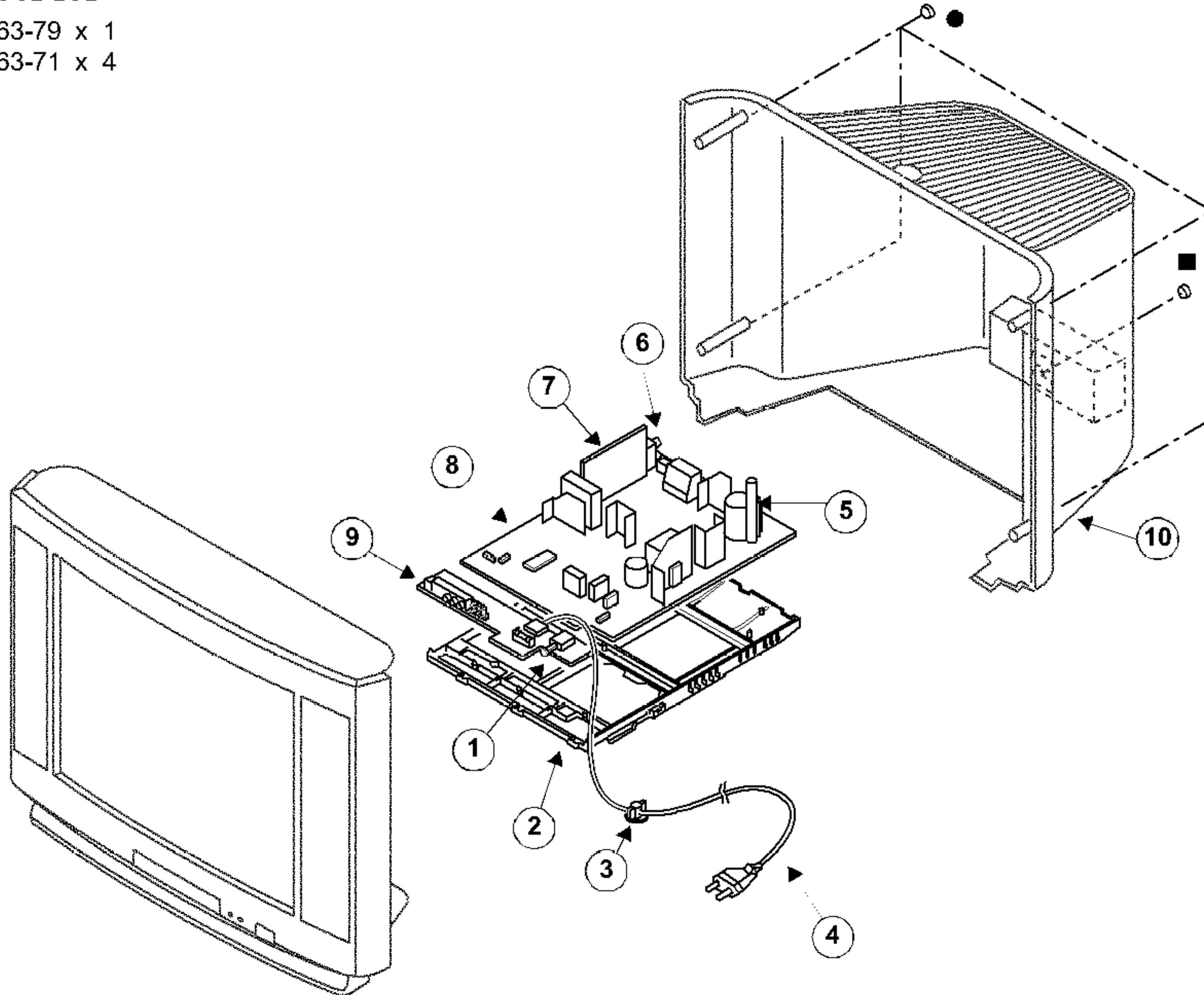
Note : The components identified by shading and marked Δ are critical for safety. Replace only with the part numbers specified in the parts list.

NOTE :

- Items with no part number and no description are not stocked because they are seldom required for routine service.
- The construction parts of an assembled part are indicated with a collation number in the remarks column.
- Items marked “* * “ are not stocked since they are seldom required for routine service. Some delay should be anticipated when ordering these items.

6-1. CHASSIS

- 7-685-663-79 x 1
- 7-685-663-71 x 4



REF. NO.	PART.NO	DESCRIPTION	REMARK	REF. NO.	PART.NO	DESCRIPTION	REMARK
1	Δ 1-571-433-21	SWITCH, PUSH (AC POWER)		8	*A-1632-750-A	A BOARD, COMPLETE (KV-25C5A)	
2	*4-202-998-01	BRACKET, MAIN			*A-1632-748-A	A BOARD, COMPLETE (KV-25C5B)	
3	Δ *4-202-531-01	AC CORD LOCK (SC)			*A-1632-746-A	A BOARD, COMPLETE (KV-25C5D)	
4	Δ 1-765-286-11	CORD, POWER			*A-1632-747-A	A BOARD, COMPLETE (KV-25C5E)	
5	Δ 1-453-264-11	TRANSFORMER ASSY, FLYBACK (NX-1680/U2B4)			*A-1632-752-A	A BOARD, COMPLETE (KV-25C5K)	
	1-453-265-11	TRANSFORMER ASSY, FLYBACK (NX-1681/U2B4)			*A-1632-753-A	A BOARD, COMPLETE (KV-25C5R)	
		(KV-25C5A/25C5B/25C5D/25C5E/25C5K/25C5R)			*A-1632-721-A	A BOARD, COMPLETE (KV-29C5A)	
		(KV-29C5A/29C5B/29C5D/29C5E/29C5K/29C5R)			*A-1632-716-A	A BOARD, COMPLETE (KV-29C5B)	
6	8-598-361-01	TUNER (BTP-AC402) (KV-25C5A/25C5D/25C5R/29C5A/29C5D/29C5R)			*A-1632-715-A	A BOARD, COMPLETE (KV-29C5D)	
	1-693-418-11	TUNER (TELE9-001A) (KV-25C5B/25C5D/29C5B/29C5D)			*A-1632-720-A	A BOARD, COMPLETE (KV-29C5E)	
	8-598-432-00	TUNER (BTP-AC411) (KV-25C5E/25C5K/29C5E/29C5K)			*A-1632-759-A	A BOARD, COMPLETE (KV-29C5K)	
7	*A-1652-053-A	S1 BOARD, COMPLETE (KV-25C5A/25C5D/25C5R/29C5A/29C5D/29C5R)		9	*A-1646-161-A	H1 BOARD, COMPLETE	
	*A-1652-056-A	S1 BOARD, COMPLETE (KV-25C5B/29C5B)		10	4-202-986-11	COVER REAR (KV-25C5A/25C5B/25C5D/25C5E/25C5K/25C5R)	
	*A-1652-052-A	S1 BOARD, COMPLETE (KV-25C5E/25C5K/29C5E/29C5K)			4-202-993-11	COVER REAR (KV-29C5A/29C5B/29C5D/29C5E/29C5K/29C5R)	