

**DAEWOO**

# Service Manual

Microwave Oven

Model : KOR-634R0S  
KOR-638R0S



DAEWOO ELECTRONICS CO., LTD.  
<http://svc.dwe.co.kr>

# **PRECAUTIONS TO BE OBSERVED BEFORE AND DURING SERVICING TO AVOID POSSIBLE EXPOSURE TO EXCESSIVE MICROWAVE ENERGY**

- (a) Do not operate or allow the oven to be operated with the door open.
- (b) Make the following safety checks on all ovens to be serviced before activating the magnetron or other microwave source, and make repairs as necessary: (1) Interlock operation, (2) Proper door closing, (3) Seal and sealing surfaces (arcing, wear, and other damage), (4) Damage to or loosening of hinges and latches, (5) Evidence of dropping or abuse.
- (c) Before turning on power to the microwave oven for any service test or inspection within the microwave generating compartments, check the magnetron, wave guide or transmission line, and cavity for proper alignment, integrity, and connections.
- (d) Any defective or misadjusted components in the interlock, monitor, door seal, and microwave generation and transmission systems shall be repaired, replaced, or adjusted by procedures described in this manual before the oven is released to the owner.
- (e) A microwave leakage check to verify compliance with the Federal performance standard should be performed on each oven prior to release to the owner.

## **TABLE OF CONTENTS**

<b>SAFETY AND PRECAUTIONS .....</b>	<b>2</b>
1. FOR SAFE OPERATION.....	2
2. FOR SAFE SERVICE PROCEDURES.....	2
<b>SPECIFICATIONS .....</b>	<b>3</b>
<b>EXTERNAL VIEW.....</b>	<b>4</b>
1. OUTER DIMENSION.....	4
2. FEATURE DIAGRAM .....	5
3. CONTROL PANEL .....	6
<b>INSTALLATION.....</b>	<b>8</b>
<b>OPERATIONS AND FUNCTIONS.....</b>	<b>9</b>
<b>DISASSEMBLY AND ASSEMBLY.....</b>	<b>10</b>
<b>INTERLOCK MECHANISM AND ADJUSTMENT.....</b>	<b>19</b>
<b>TROUBLE SHOOTING GUIDE .....</b>	<b>20</b>
<b>MEASUREMENT AND TEST .....</b>	<b>24</b>
1. MEASUREMENT OF THE MICROWAVE POWER OUTPUT.....	24
2. MICROWAVE RADIATION TEST .....	25
3. COMPONENT TEST PROCEDURE .....	26
<b>WIRING DIAGRAM.....</b>	<b>27</b>
<b>PRINTED CIRCUIT BOARD.....</b>	<b>28</b>
1. CIRCUIT CHECK PROCEDURE.....	28
2. PCB CIRCUIT DIAGRAM.....	31
3. P.C.B. LOCATION NO.....	32
<b>EXPLODED VIEW AND PARTS LIST.....</b>	<b>33</b>
1. DOOR ASSEMBLY.....	33
2. CONTROL PANEL ASSEMBLY .....	33
3. TOTAL ASSEMBLY.....	33

# SAFETY AND PRECAUTIONS

---

## 1. FOR SAFE OPERATION

Damage that allows the microwave energy (that cooks or heats the food) to escape will result in poor cooking and may cause serious bodily injury to the operator.

IF ANY OF THE FOLLOWING CONDITIONS EXIST, OPERATOR MUST NOT USE THE APPLIANCE.

(Only a trained service personnel should make repairs.)

- (1) A broken door hinge.
- (2) A broken door viewing screen.
- (3) A broken front panel, oven cavity.
- (4) A loosened door lock.
- (5) A broken door lock.

The door gasket plate and oven cavity surface should be kept clean.

No grease, soil or spatter should be allowed to build up on these surfaces or inside the oven.

DO NOT ATTEMPT TO OPERATE THIS APPLIANCE WITH THE DOOR OPEN.

The microwave oven has concealed switches to make sure the power is turned off when the door is opened.

Do not attempt to defeat them.

DO NOT ATTEMPT TO SERVICE THIS APPLIANCE UNTIL YOU HAVE READ THIS SERVICE MANUAL.

## 2. FOR SAFE SERVICE PROCEDURES

1. If the oven is operative prior to servicing, a microwave emission check should be performed prior to servicing the oven.
2. If any certified oven unit is found to servicing, a microwave emission check should be performed prior to servicing the oven.
  - (a) inform the manufacturer, importer or assembler,
  - (b) repair the unit at no cost to the owner,
  - (c) attempt to ascertain the cause of the excessive leakage,
  - (d) tell the owner of the unit not to use the unit until the oven has been brought into compliance.
3. If the oven operates with the door open, the service person should tell the user not to operate the oven and contact the manufacturer and CDRH immediately.

### IMPORTANT

The wire in this mains lead coloured in accordance with the following code.

Green-and-yellow : Earth  
Blue : Neutral  
Brown : Live

As the colours of the wires in the mains lead of this appliance may not correspond with the coloured markings identifying the terminals in your plug, proceed as follows.

The wire which is coloured green-and-yellow must be connected to the terminal in the plug which is marked with the letter E, earth symbol or coloured green-and-yellow.

The wire which is coloured blue must be connected to the terminal which is marked with the letter N or coloured black.

The wire which is coloured brown must be connected to the terminal which is marked with the letter L or coloured red.

### NOTE :

The oven is designed for counter-top use only.

# **SPECIFICATIONS**

---

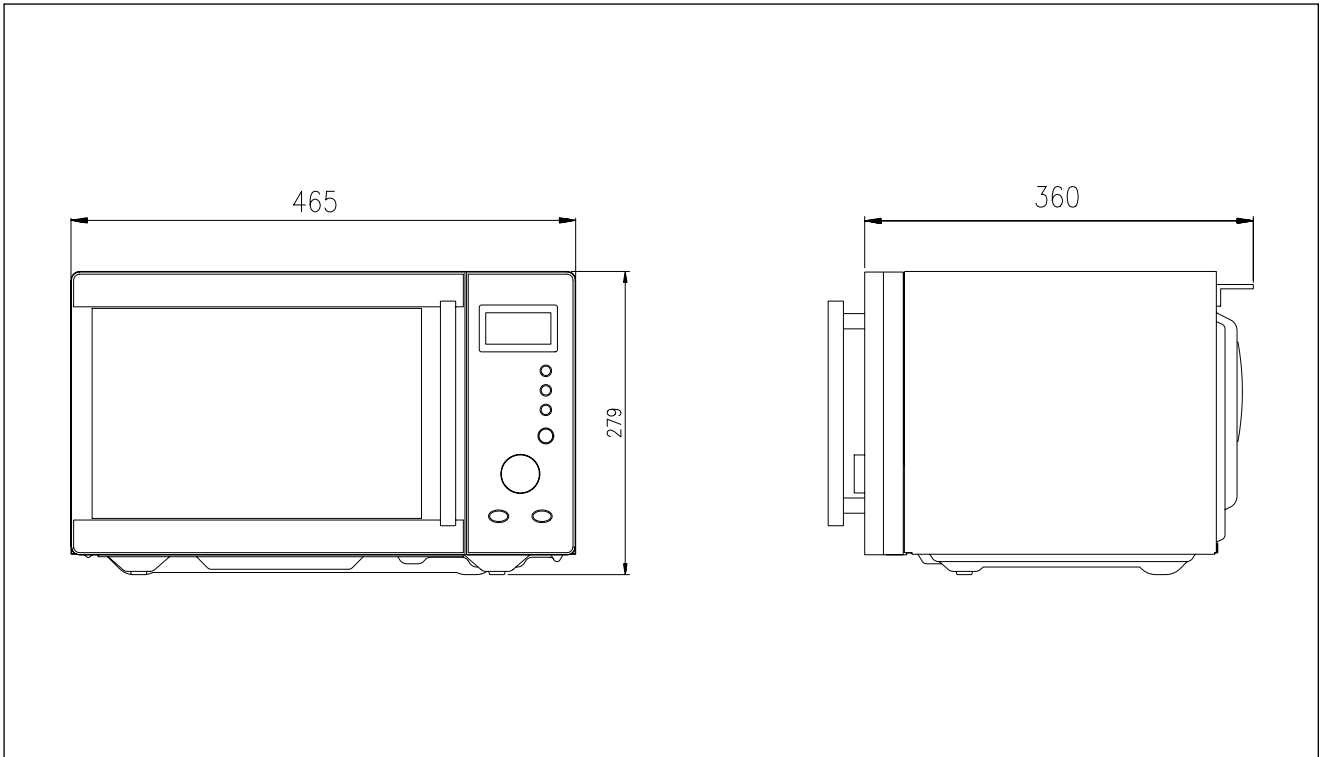
MODEL	<b>KOR-634R0S, KOR-638R0S</b>
POWER SUPPLY	230V~50Hz, SINGLE PHASE WITH EARTHING
POWER CONSUMPTION MICROWAVE	1,200 W
MICROWAVE ENERGY OUTPUT	800W
MICROWAVE FREQUENCY	2450MHz
OUTSIDE DIMENSIONS (W X H X D)	465 x 279 x 360 mm (18.3 x 11.0 x 14.2 in)
CAVITY DIMENSIONS (W X H X D)	290 x 220 x 306 mm (11.4 x 8.7 x 12.0 in.)
NET WEIGHT	Approx. 13 kg (28.7 lbs.)
TIMER	59 min.
FUNCTION SELECTIONS	MICROWAVE
POWER SELECTIONS	5 LEVELS
CAVITY VOLUME	0.7 Cu. Ft.

*\* SPECIFICATIONS ARE SUBJECT TO CHANGE WITHOUT NOTICE.*

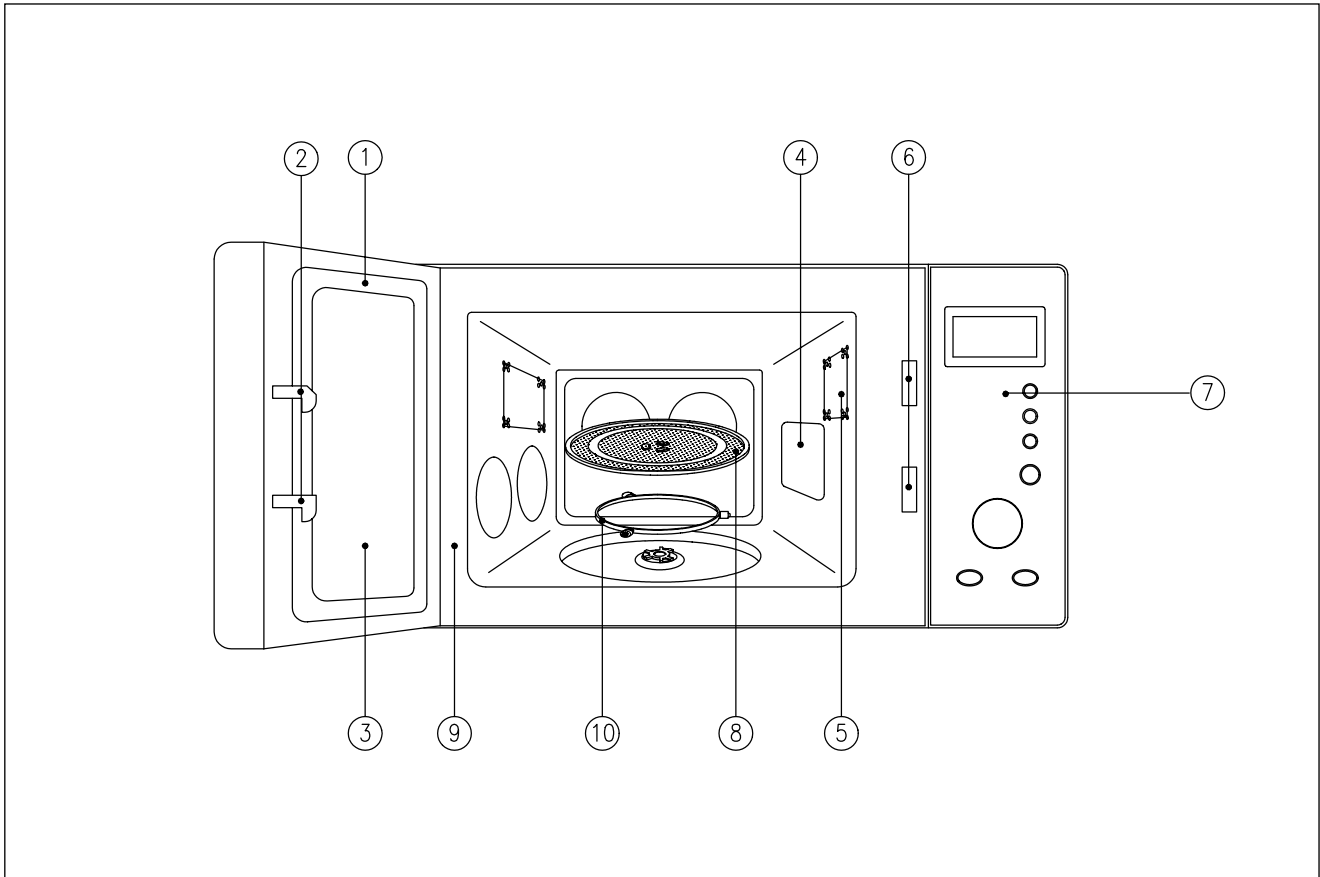
# EXTERNAL VIEW

---

## 1. OUTER DIMENSION



## 2. FEATURE DIAGRAM



**1. DOOR SEAL**

Door seal maintains the microwave within the oven cavity and prevents microwave leakage.

**2. DOOR HOOK**

When the door is closed, it will automatically lock shut. If door is opened while oven is operating, magnetron tube will immediately stop operating.

**3. DOOR SCREEN**

Allows viewing of food. Microwave cannot pass through perforations in screen.

**4. SPATTER SHIELD**

Protects the microwave outlet from splashes of cooking foods.

**5. OVEN LAMP**

Automatically turns on during oven operating.

**6. SAFETY INTERLOCK SYSTEM**

**7. CONTROL PANEL**

**8. GLASS COOKING TRAY**

Made of special heat resistant glass. The tray must always be in proper position before operating. Do not cook food directly on the tray.

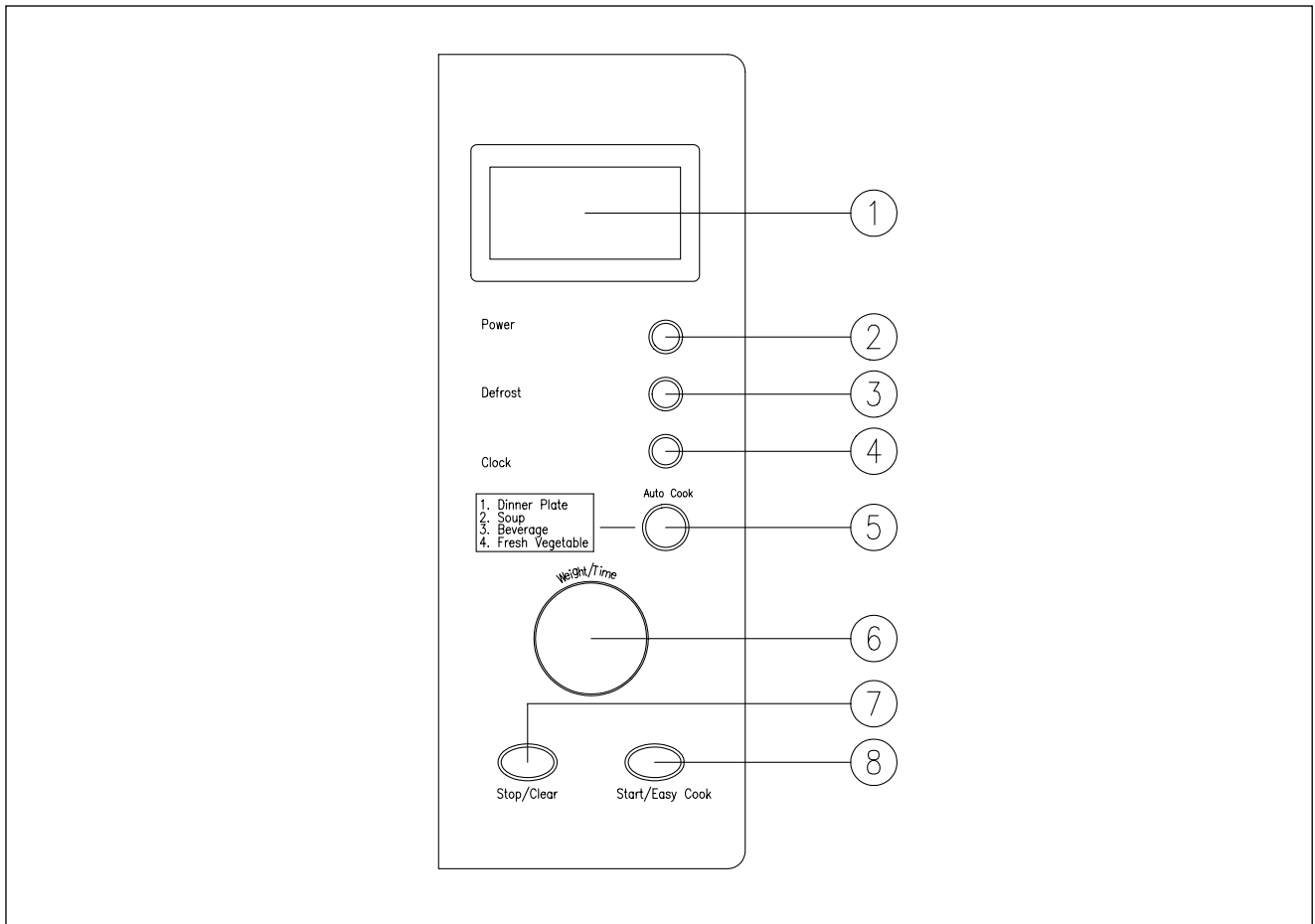
**9. OVEN FRONT PLATE**

**10. ROLLER GUIDE**

Supports the glass cooling tray.

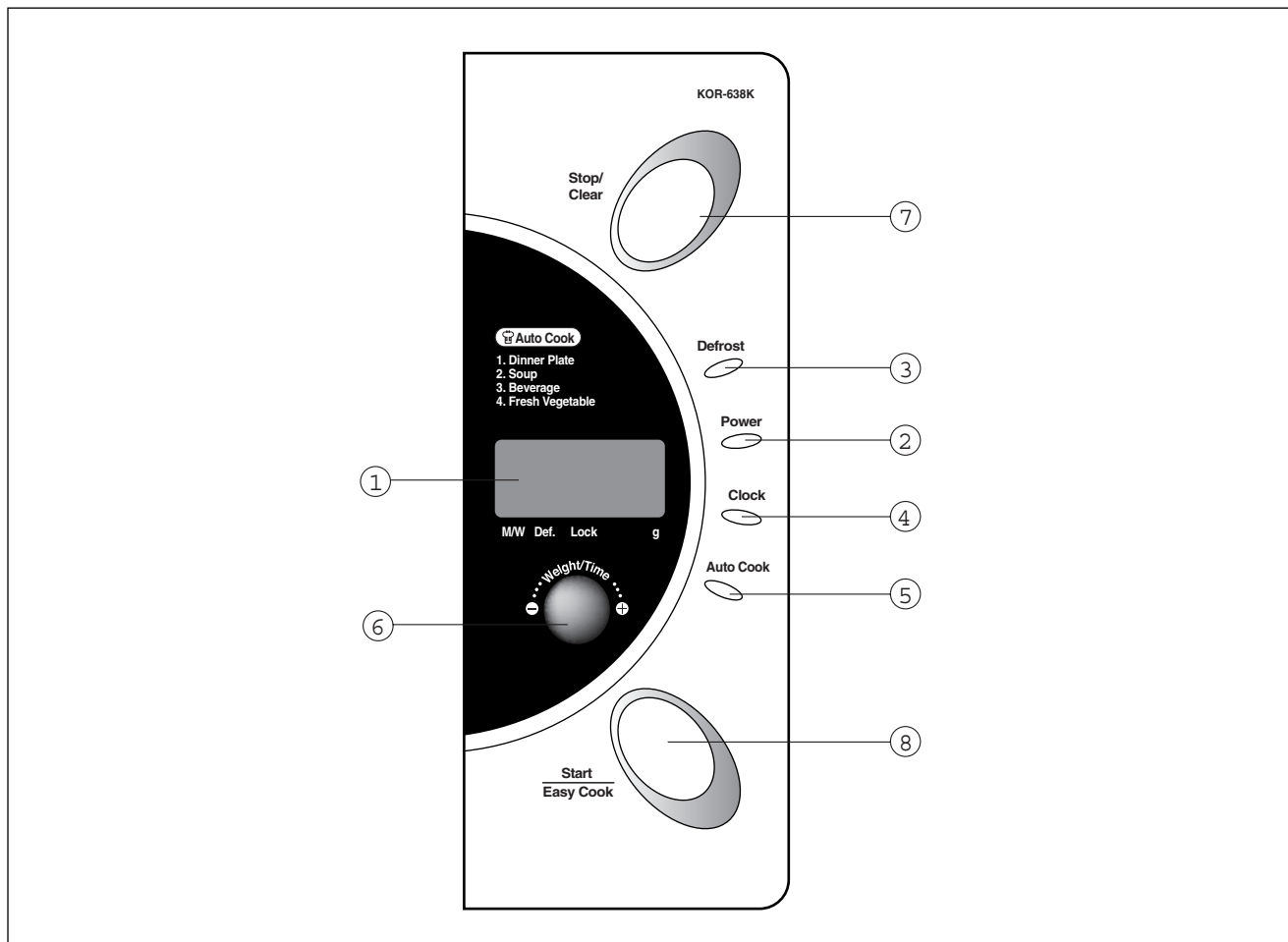
### 3. CONTROL PANEL

• KOR-634R



1. **Display** — Cooking time, power level, indicators and present time are displayed.
2. **Power** — Used to set power level.
3. **Defrost** — Used to defrost by weight or time.
4. **Clock** — Used to set clock.
5. **Auto cook** — Used to using a program or to reheat.
6. **Dial knob** — Used to set time and weight.
7. **Stop/Clear** — Used to stop the oven operation or to erase all entries.
8. **Start/Easy cook** — Used to start the oven operation and also increase the reheat time by 30 seconds.

• KOR-638R



1. **Display** — Cooking time, power level, indicators and present time are displayed.
2. **Power** — Used to set power level.
3. **Defrost** — Used to defrost by weight or time.
4. **Clock** — Used to set clock.
5. **Auto cook** — Used to using a program or to reheat.
6. **Dial knob** — Used to set time and weight.
7. **Stop/Clear** — Used to stop the oven operation or to erase all entries.
8. **Start/Easy cook** — Used to start the oven operation and also increase the reheat time by 30 seconds.



# INSTALLATION

---

## 1. Steady, flat location

This microwave oven should be set on a steady, flat surface.

This microwave oven is designed for counter top use only.

## 2. Leave space behind and side

All air vents should be kept a clearance. If all vents are covered during operation, the oven may overheat and, eventually, cause oven failure.

## 3. Away from Radio and TV sets

Poor television reception and radio interference may result if the oven is located close to a TV, Radio, antenna or feeder and so on.

## 4. Away from heating appliances and water taps

Keep the oven away from hot air, steam or splash when choosing a place to position it, or the insulation might be adversely affected and breakdowns occur.

## 5. Power supply

➤ Check your local power source.

This microwave oven requires a current of approximately 6 amperes, 230Volts, 50Hz grounded outlet.

➤ Power supply cord is about 0.8 meters long.

➤ The voltage used must be the same as specified on this oven. Using a higher voltage may result in a fire or other accident causing oven damage. Using low voltage will cause slow cooking, We are not responsible for damage resulting from use of this oven with a voltage of ampere fuse other than those specified.

➤ This appliance is supplied with cable of special type, which, if samaged, must be repaired with cable of same type. Such a cable can be purchased from DAEWOO and must be installed by a Qualified Person.

## 6. Examine the oven after unpacking for any damage such as:

A misaligned door, broken door or a dent in cavity.

If any of the above are visible, DO NOT INSTALL, and notify dealer immediately.

## 7. Do not operate the oven if it is colder than room temperature

(This may occur during delivery in cold weather.) Allow oven to become room temperature before operating.

## EARTHING INSTRUCTIONS

This appliance must be earthed. In the event of an electrical short circuit, earthing reduces the risk of the electric shock by providing an escape wire for the electric current. This appliance is equipped with a cord having a earthing wire with a earthing plug. The plug must be plugged into an outlet that is properly installed ant earthed.

### WARNING

Improper use of the earthing plug can result in a risk of electric shock. Consult a qualified electrician or serviceman if the earthing instructions are not completely understood, or if doubt exists as to whether the appliance is properly earthed, and either: If it is necessary to use an extension cord, use only a 3-wire extension cord that has a 3-blade earthing plug, and a 3-slot receptacle that will accpt the plug on the appliance. The marked rating of the extension cord should be equal to or greater than the electrical rating of the appliance, or Do not use an extension cord.

# OPERATIONS AND FUNCTIONS

---

1. Connect the main lead to an electrical outlet.
2. After placing the food in a suitable container, open the oven door and put it on the glass tray. The glass tray must always be in place during cooking.
3. Close the door securely.
4. When the oven door is opened, the light turns off.
5. The oven door can be opened at any time during operation by touching the door release button on the control panel.  
The oven will automatically shut off. To restart the oven, close the door and then touch START.
6. Each time a pad is touched, a BEEP will sound to acknowledge the touch.
7. The oven automatically cook on full power unless set to a lower power level.
8. The display will show : 0 when the oven is plugged in.
9. Time clock returns to the present time when the cooking time ends.
10. When the STOP/CLEAR pad is touched during the oven operation, the oven stops cooking and all information retained.  
To erase all information (except the present time), touch the STOP/CLEAR pad once more. If the oven door is opened during the oven operation, all information is retained.
11. If the START pad is touched and the oven does not operate, check the area between the door and door is closed securely. The oven will not start cooking under the door is completely closed or the program has been reset.

Make sure the oven is properly installed and plugged into the electrical outlet.

## Wattage output chart

The power level is set by pressing the POWER pad. The chart shows the display, the power level and the percentage of power.

Touch POWER button	Power level (Display)	Approximate Percentage of Power
Once	P-HI	100%
3 times	P-80	80%
5 times	P-60	60%
7 times	P-40	40%
9 times	P-20	20%

# DISASSEMBLY AND ASSEMBLY

## Cautions to be observed when trouble shooting.

Unlike many other appliances, the microwave oven is high-voltage, high-current equipment.

It is completely safety during normal operation.

However, carelessness in servicing the oven can result in an electric shock or possible danger from a short circuit.

You are asked to observe the following precautions carefully.

1. Always remove the power plug from the outlet before servicing.
2. Use an insulated screwdriver and ware rubber gloves when servicing the high voltage side.
3. Discharge the high voltage capacitor before touching any oven components or wiring.

(1) Check the grounding.

Do not operate on a 2-wire extension cord.

The microwave oven is designed to be used with grounded.

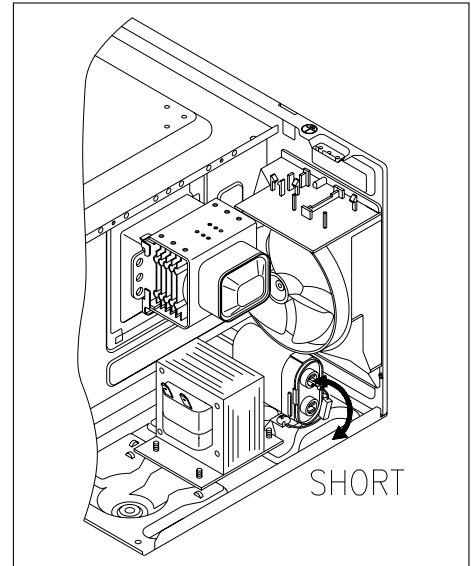
It is imperative, therefore, to make sure it is grounded properly before beginning repair work.

(2) Warning about the electric charge in the high voltage capacitor.

For about 30 seconds after the operation stopped and electric charge remains in the high voltage capacitor.

When replacing or checking parts, short between oven chassis and the negative high terminal of the high voltage capacitor, by using a properly insulated screwdriver to discharge.

4. When the 12A fuse is blown out due to the operation of the monitor switch; replace primary interlock switch, secondary interlock switch and interlock monitor switch.
5. After repair or replacement of parts, make sure that the screws are properly tightened, and all electrical connections are tightened.
6. Do not operate without cabinet.

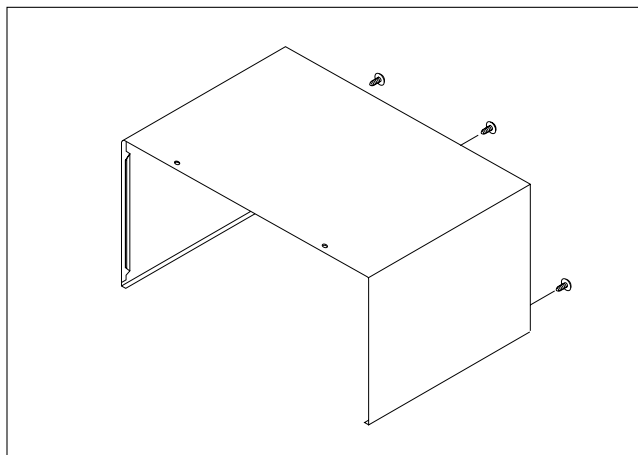


**CAUTION** : Service personnel should remove their watches whenever working close to or replacing the magnetron.

**CAUTION** : When servicing the appliance, need a care of touching or replacing high potential parts because of electrical shock or exposing microwave. These parts are as follows - HV Transformer, Magnetron, HV Capacitor, HV Diode, HV fuse.

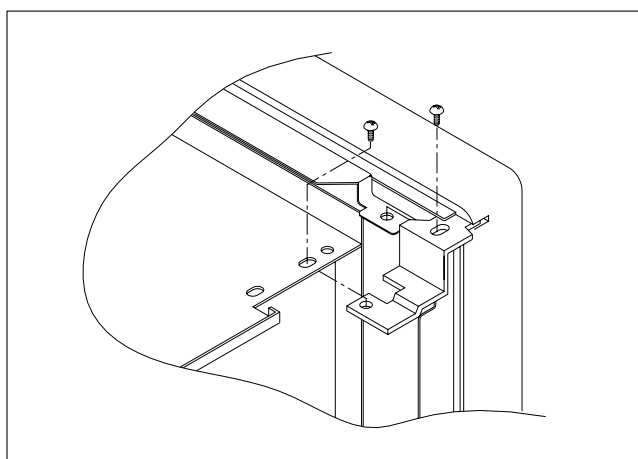
## 1. To remove cabinet

- 1) Remove three screws on cabinet back.
- 2) Push the cabinet backward.



## 2. To remove door assembly

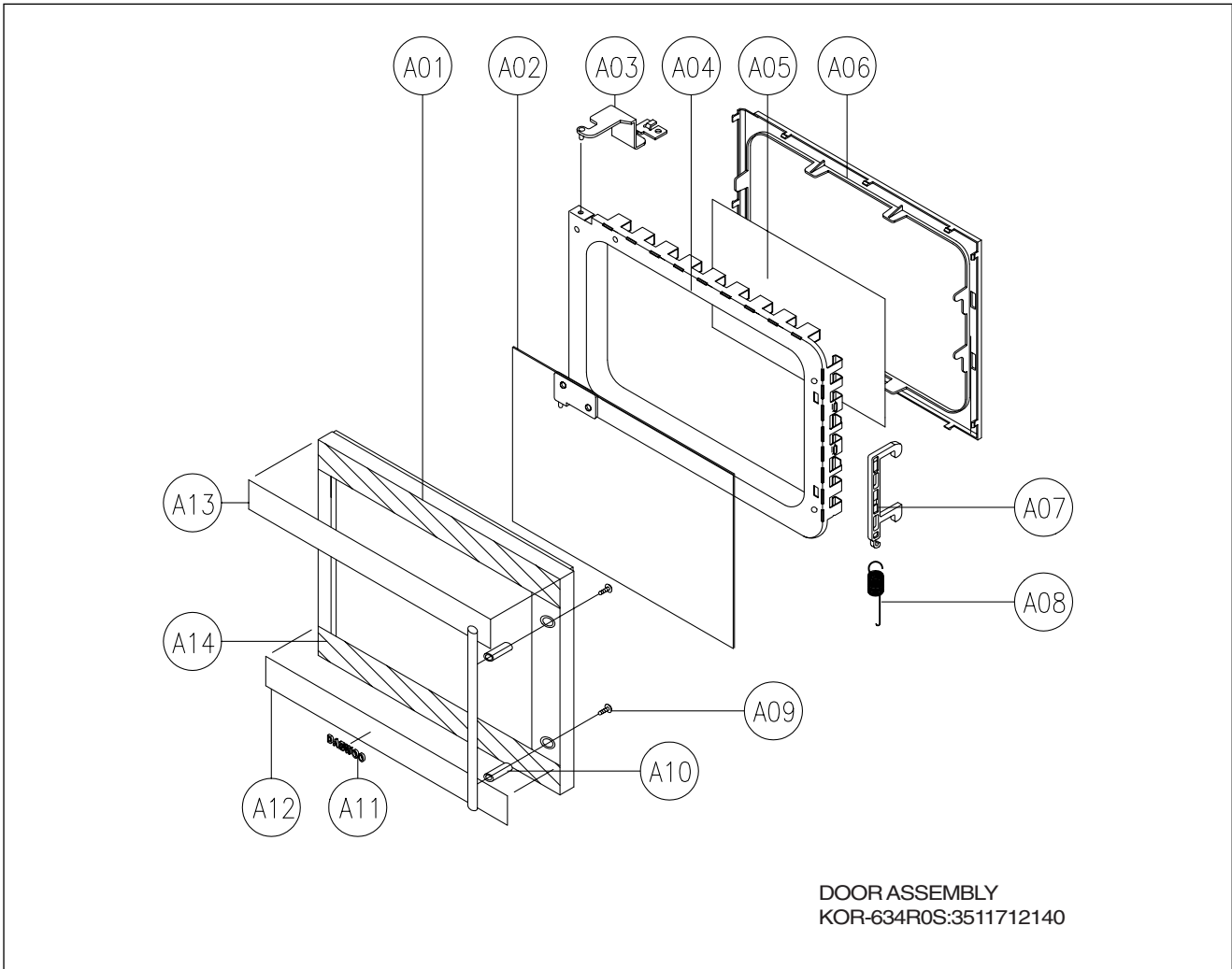
- 1) Remove two screws which secure the stopper hinge top.
- 2) Remove the door assembly from top plate of cavity.
- 3) Reverse the above for reassembly.



**NOTE :** After replacing the door assembly, perform a check of correct alignment with the hinge and cavity front plate.

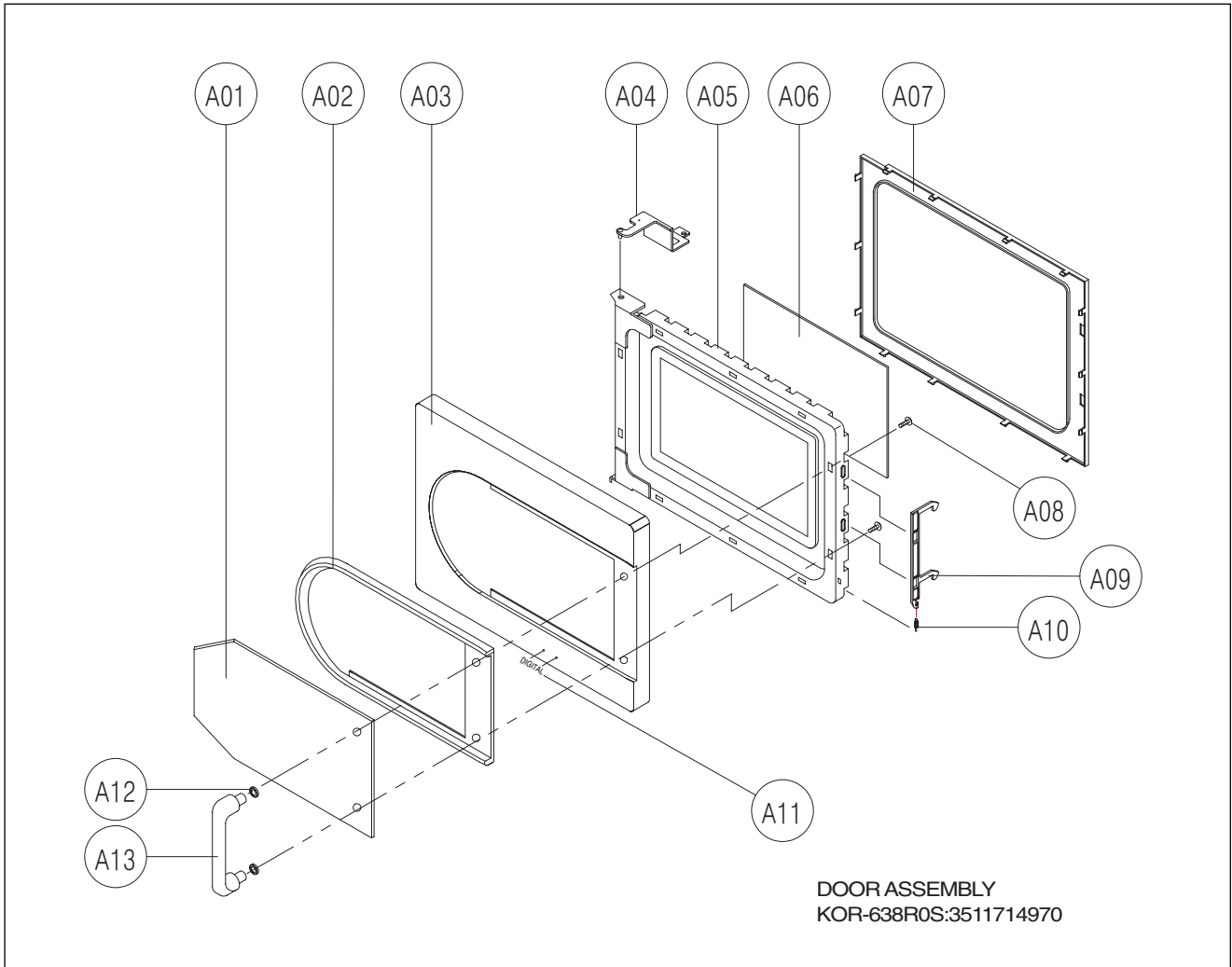
### 3. To remove door parts.

• KOR-634R



REF NO.	PART CODE	PART NAME	DESCRIPTION	Q TY	REMARK
A01	3512203850	FRAME DOOR	ABS XR-401, H-2938	1	
A02	3517005620	BARRIER-SCREEN*O	TEMP GLASS T3.2	1	
A03	3515204100	STOPPER HINGE*T AS	KOR-63150S	1	
A04	3511706120	DOOR PAINTING AS	KOR-634R0S	1	
A05	3517002800	BARRIER-SCREEN*I	PE 0.1T	1	
A06	3512300200	GASKET DOOR	PP	1	
A07	3513100730	HOOK	POM BLACK	1	
A08	3515101310	SPRING HOOK	HSW-3	1	
A09	7001503311	SCREW MACHINE	PAN 5X33 MFZN	2	
A10	3512603210	HANDLE DOOR	STEEL NI + CR	1	
A11	3511601500	DECORATOR LOGO	AL T1.5	1	
A12	3511604610	DECORATOR DOOR*U	STS T0.6	1	
A13	3511604600	DECORATOR DOOR*T	STS T0.6	1	
A14	3516003940	SPECIAL DOUBLE TAPE	SI-161 T0.15 27MM	1	

• KOR-638R

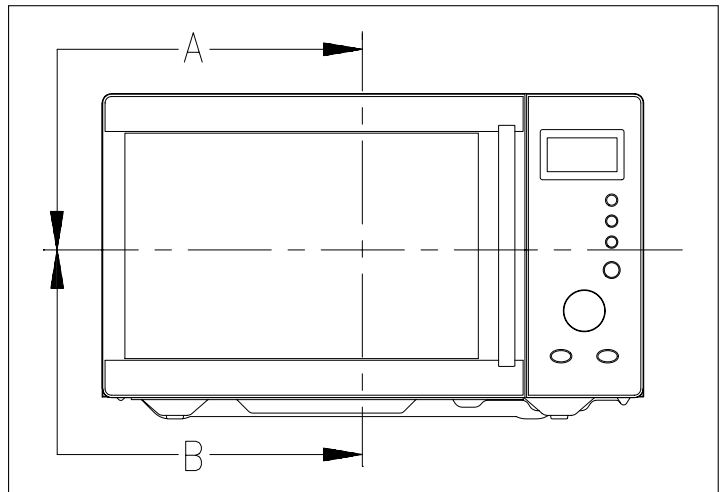


REF. NO	PART CODE	PART NAME	DESCRIPTION	Q'ty	REMARK
A01	3517005680	BARRIER-SCREEN*O	PMMA T1.5	1	
A02	3511603810	DECORATOR DOOR	ABS SG-175 SG-0760D	1	
A03	3512205260	FRAME DOOR	ABS SG-175 SG-0760D	1	
A04	3515204110	STOPPER HINGE*T AS	KOR-636T1S	1	
A05	3511706120	DOOR PAINTING AS	KOR-634R0S	1	
A06	3517002800	BARRIER-SCREEN *I	PE T0.1	1	
A07	3512300210	GASKET DOOR	PP	1	
A08	7122401211	SCREW TAPPING	T2S TRS 4*12 MFZN	2	
A09	3513100730	HOOK	POM BLACK	1	
A10	3515101320	SPRING HOOK	HSW-3	1	
A11	3511601500	DECORATOR LOGO	AL T1.5	1	
A12	3511607300	DECORATOR HANDLE	ABS SG-175 SG-0760D	2	
A13	3512604110	HANDLE DOOR	MP-0160	1	

- (1) Remove the gasket door from door weld as.
- (2) Remove the barrier screen inner from weld as.
- (3) Remove the door frame from door weld as.
- (4) Remove the stopper hinge top from door weld as.
- (5) Remove the spring and the hook.
- (6) Remove the barrier screen outer from door frame.
- (7) Reverse the above steps for reassembly.

#### 4. Method to reduce the gap between the door seal and the oven front surface.

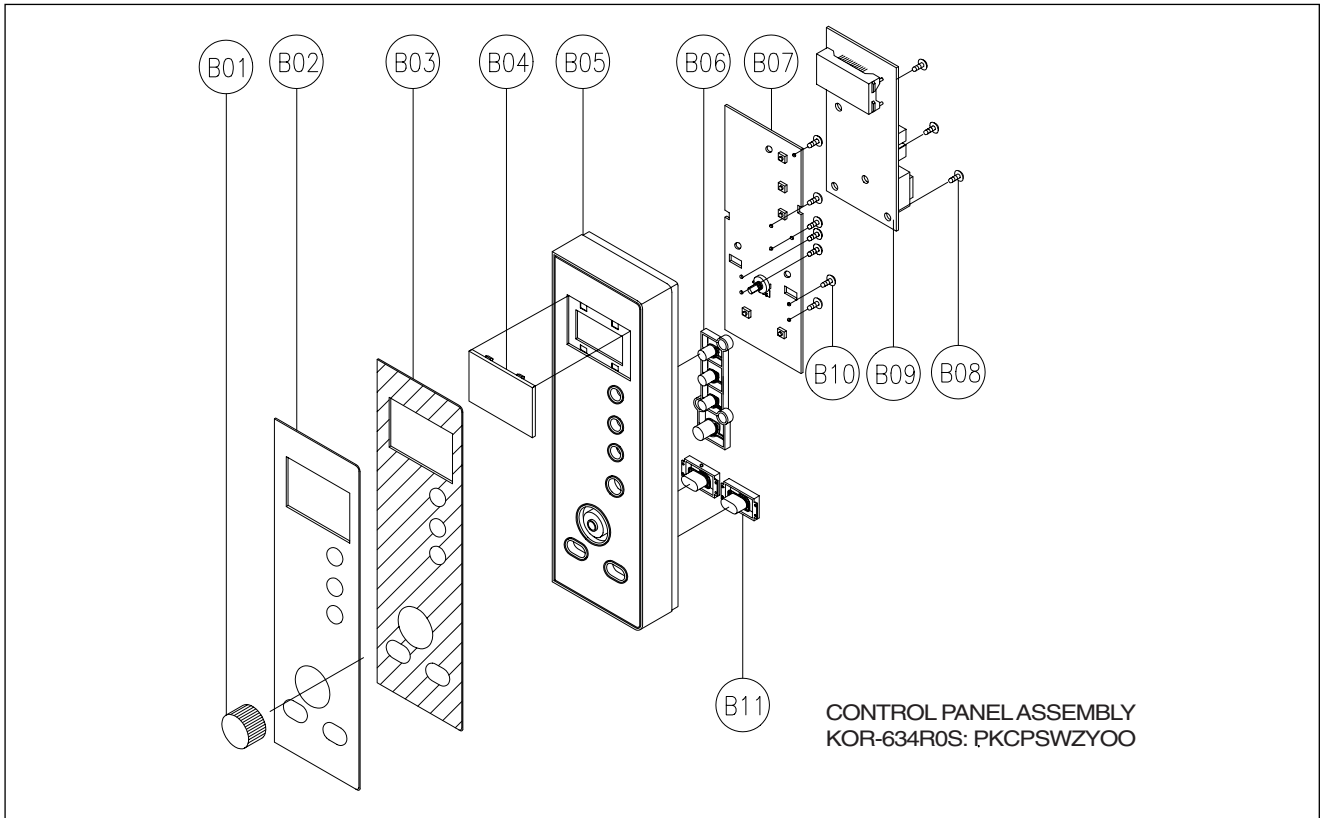
- (1) To reduce gap located on part A  
¥Loosen two screws on stopper hinge top,  
and then push the door to contact the door  
seal to oven front surface.  
¥ Tighten two screws.
- (2) To reduce gap located on part B  
¥Loosen two screws on stopper hinge under,  
and then push the door to contact the door  
seal to oven front surface.  
¥ Tighten two screws.



**NOTE :** A small gap may be acceptable if the microwave leakage does not exceed 4mW/cm<sup>2</sup>.

## 5. To remove control panel parts.

• KOR-634R

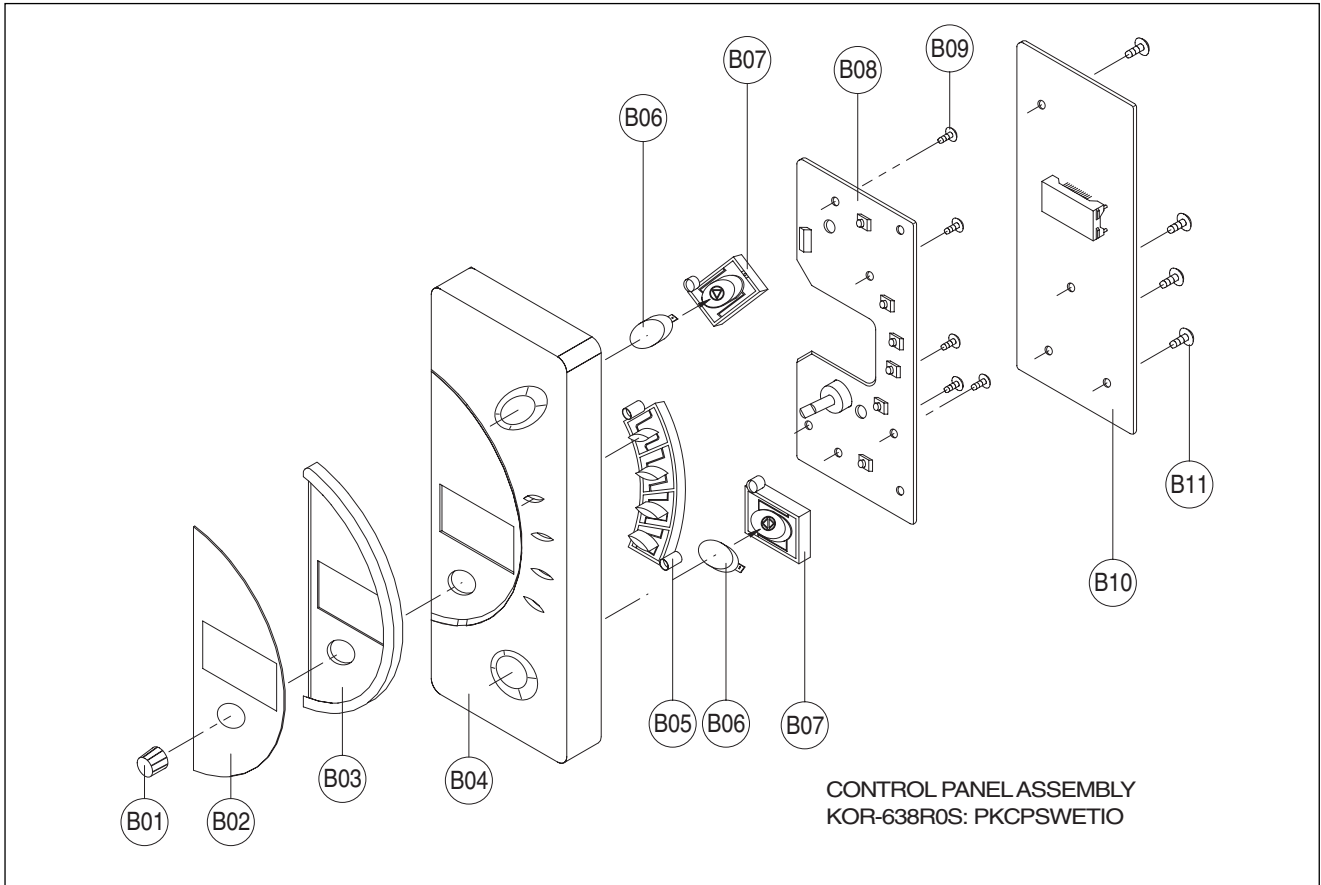


REF NO.	PART CODE	PART NAME	DESCRIPTION	Q TY	REMARK
B01	3513404620	KNOB VOLUME	ABS XR-401, H-2938	1	
B02	3511604510	DECORATOR C-PANEL	STS T0.6	1	
B03	3516003910	SPECIAL DOUBLE TAPE	SI-161 T0.15	1	
B04	3515501530	WINDOW DISPLAY	PMMA T2.0	1	
B05	3516721460	CONTROL PANEL	ABS XR-401, H-2938	1	
B06	3516907430	BUTTON FUNCTION	ABS XR-401, COATING	1	
B07	PKBPMSZY00	SUB PCB AS	KOR-634R0S	1	
B08	7121401611	SCREW TAPPING	T2S PAN 4X16 MFZN	3	
B09	PKMPMSZY00	MAIN PCB AS	KOR-634R0S	1	
B10	7621301011	SCREW TAPPING	T2S TRS 4X12 MFZN	8	
B11	3516906320	BUTTON FUNCTION	ABS XR-401, COATING	2	

- 1) Remove the screw which secure the control panel, push up two snap fits and draw forward the control panel assembly.
- 2) Remove screws which secure the PCB assembly to control panel.
- 3) Disconnect membrane tail from the connector of the PCB assembly.
- 4) Detach the function buttons and knob from the control panel.
- 5) Reverse the above steps for reassembly.



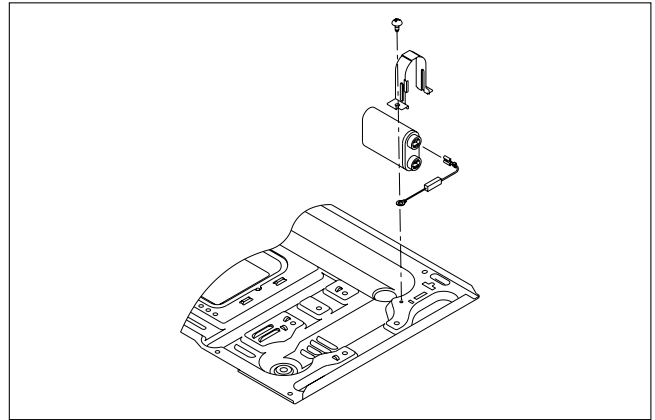
• KOR-638R



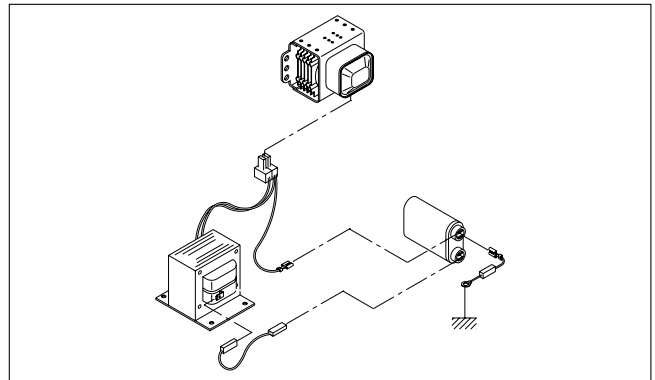
REF NO.	PART CODE	PART NAME	DESCRIPTION	Q TY	REMARK
B01	3513405280	KNOB VOLUME	ABS SG-175, SG-0760D	1	
B02	3515501570	WINDOW DISPLAY	KOR-638K	1	
B03	3511604580	DECORATOR C-PANEL	ABS SG-175, SG-0760D	1	
B04	3516726220	CONTROL PANEL	ABS SG-175, SG-0760D	1	
B05	3516909800	BUTTON FUNCTION-B	ABS SG-175, SG-0760D	1	
B06	3511607500	DECORATOR BUTTON	PC	2	
B07	3516907590	BUTTON FUNCTION-A	ABS SG-175, SG-0760D	2	
B08	PKBPMSET00	PCB BUTTON AS	KOR-638K	1	
B09	7621301011	SCREW TAPPING	T2 PAN 3X10 PW MFZN	5	
B10	PKMPMSET00	PCB MAIN AS	KOR-638K	1	
B11	7122401211	SCREW TAPPING	T2S TRS 4X12 MFZN	4	

## 6. To remove high voltage capacitor.

- 1) Remove a screw which secure the grounding ring terminal of the H.V. diode and the capacitor holder.
- 2) Remove the H.V. diode from the capacitor holder.
- 3) Reverse the above steps for reassembly.

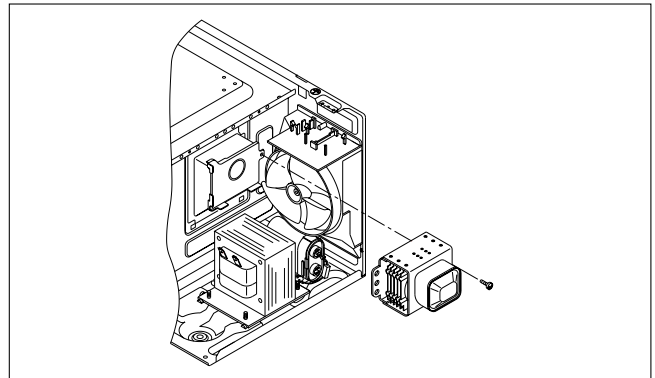


## ◆ High voltage circuit wiring

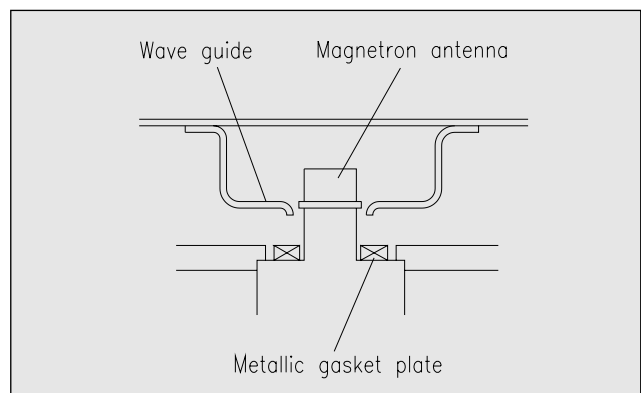
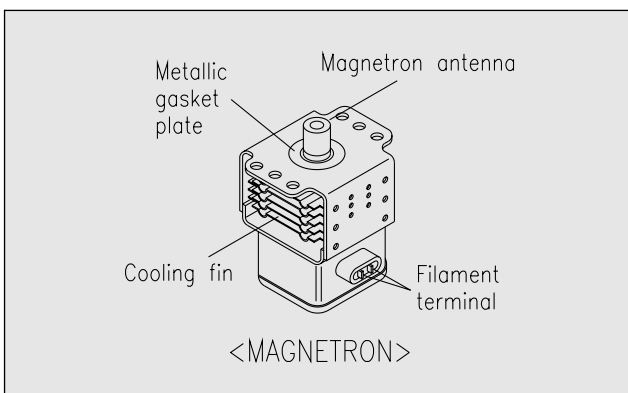


## 7. To remove magnetron.

- 1) Remove a screw which secure the magnetron.
- 2) Remove the magnetron.
- 3) Reverse the above steps for reassembly.

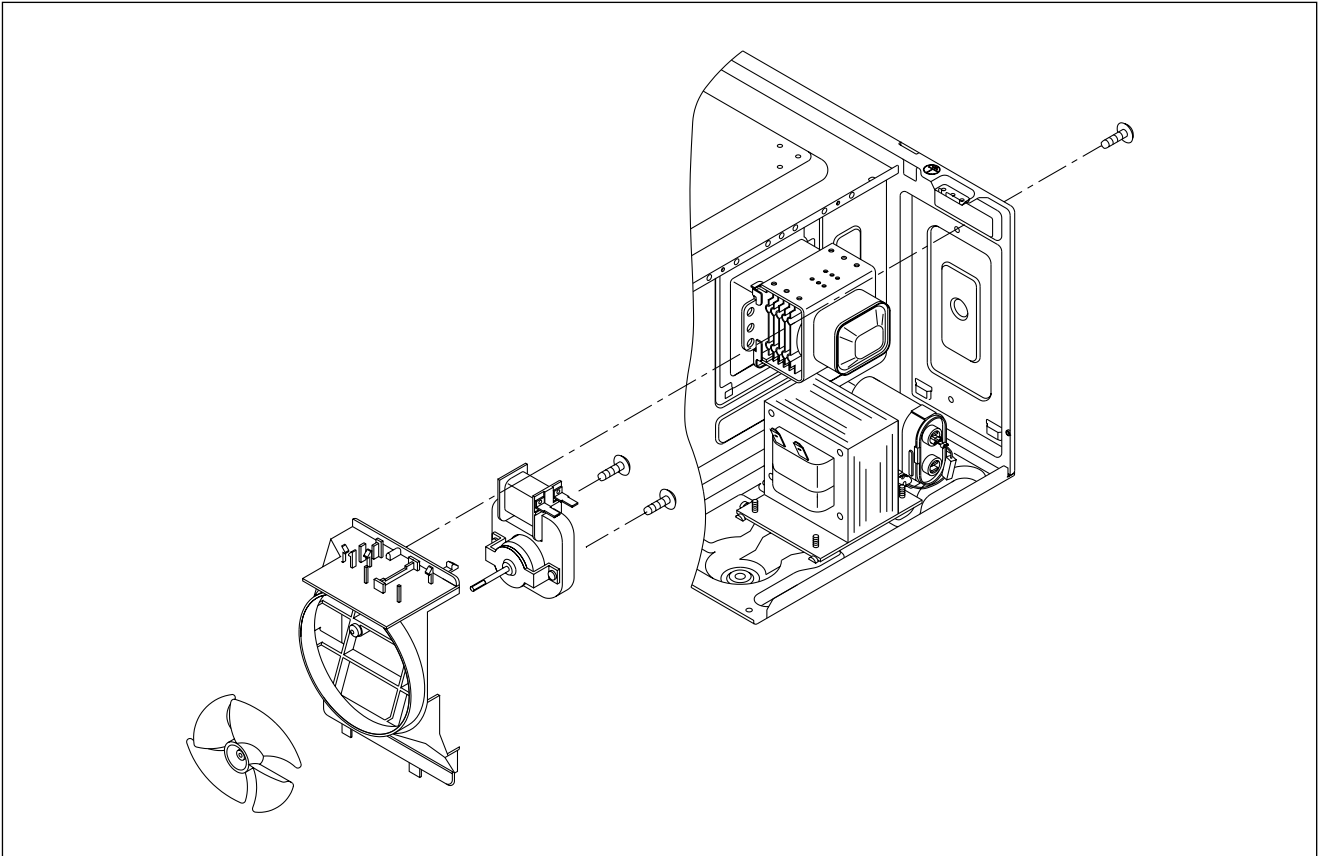


**NOTE :** Never install the magnetron without the metallic gasket plate which is packed with each magnetron to prevent microwave leakage. Whenever repair work is carried out on magnetron, check the microwave leakage. It shall not exceed  $4\text{mW}/\text{cm}^2$  for a fully assembled oven with door normally closed.



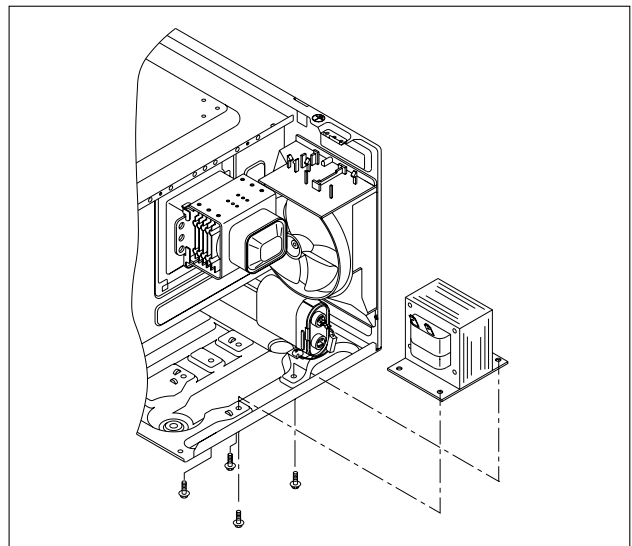
## 8. To remove wind guide assembly.

- 1) Remove a screw which secure the wind guide assembly.
- 2) Draw forward the wind guide assembly.
- 3) Pull the fan from the motor shaft.
- 4) Remove two screws which secure the motor shaded pole.
- 5) Remove the motor shaded pole.
- 6) Reverse the above steps for reassembly.



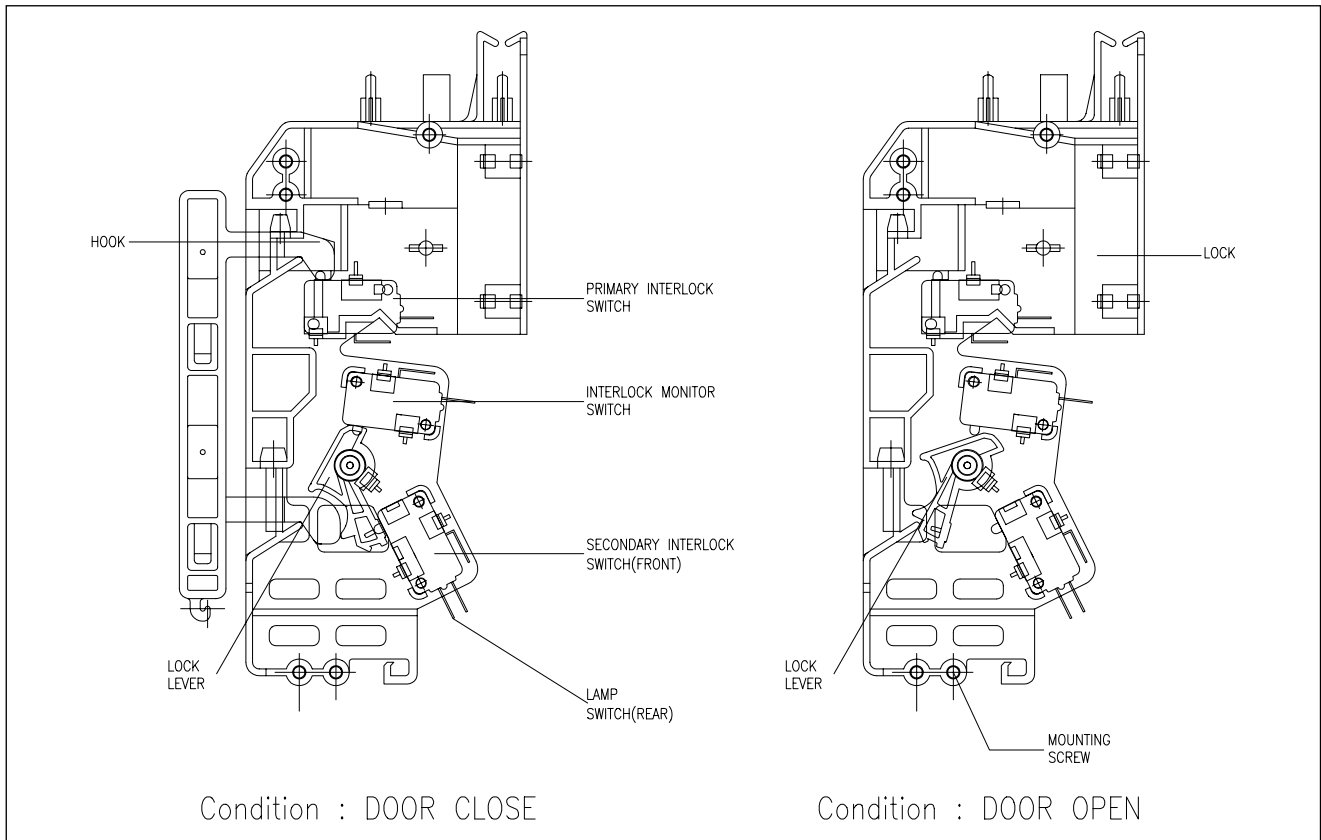
## 9. To remove H.V.transformer.

- 1) Remove four screws holding the H.V.transformer.
- 2) Remove the H.V.transformer.
- 3) Reverse the above steps for reassembly.



# INTERLOCK MECHANISM AND ADJUSTMENT

The door lock mechanism is a device which has been specially designed to completely eliminate microwave radiation when the door is opened during operation, and thus to perfectly prevent the danger resulting from the leakage of microwave.



## (1) Primary interlock switch

When the door is closed, the hook locks the oven door. If the door is not closed properly, the oven will not operate.

When the door is closed, the hook pushes the button of the microswitch. Then the button of the primary interlock switch bring it under ON condition.

## (2) Secondary interlock switch and interlock monitor switch

When the door is closed, the hook pushes the lock lever downward. The lock lever presses the button of the interlock monitor switch to bring it under NO condition and presses the button of the secondary interlock switch to bring it under ON condition.

### ADJUSTMENT :

Interlock monitor switch

When the door is closed, the interlock monitor switch should be changed (NO condition) before other switches are closed.

When the door is opened, the interlock monitor switch should be changed (NC condition) after other switches are opened.

## (3) Adjustment steps

- Loosen the two mounting screws.
- Adjust interlock switch assembly position.
- Make sure that lock lever moves smoothly after adjustment is completed.
- Tighten completely two mounting screws.

### NOTE :

Microwave emission test should be performed after adjusting interlock mechanism. If the microwave smission exceed  $4\text{mW}/\text{cm}^2$ , readjust interlock mechanism.

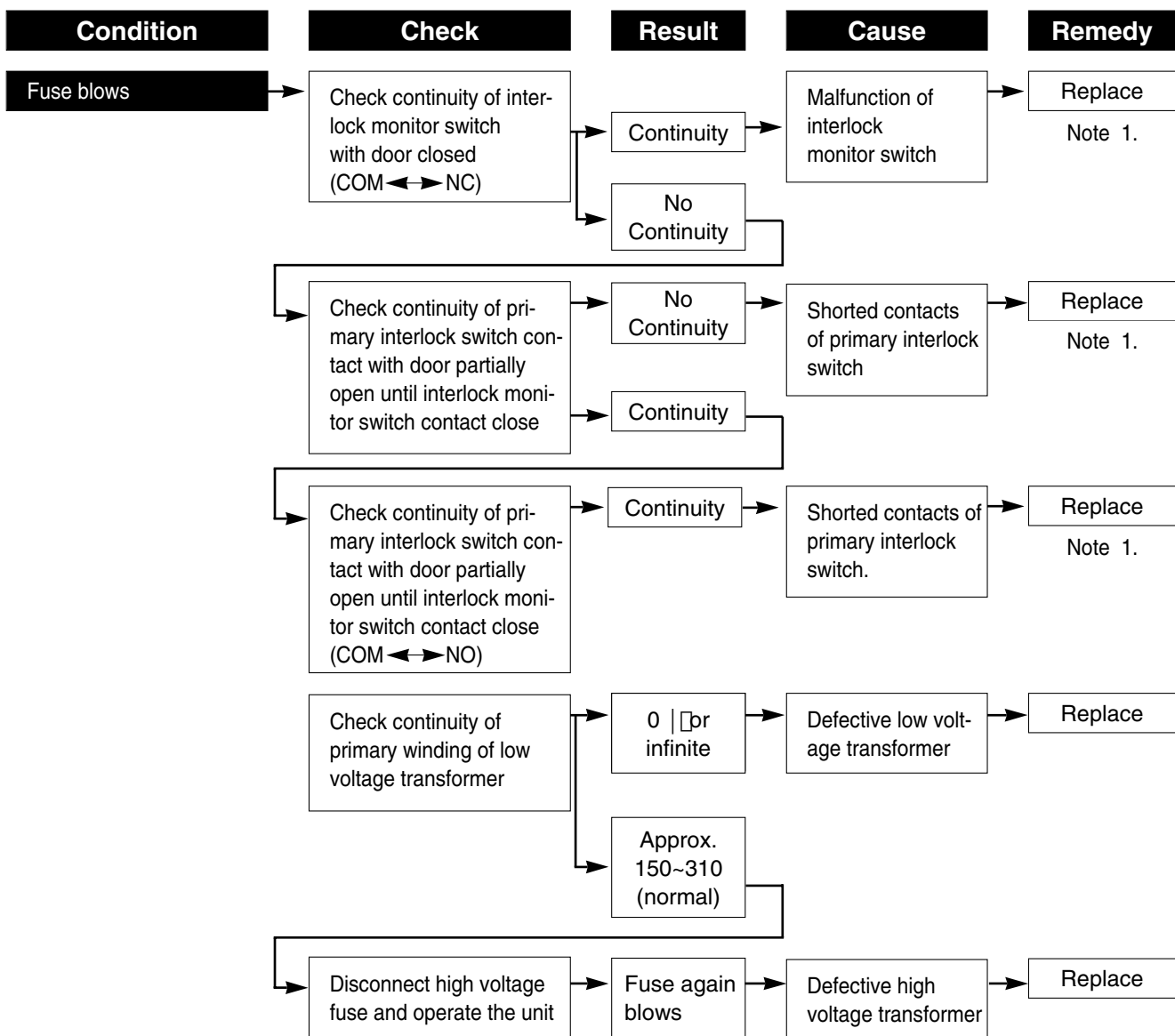
# TROUBLE SHOOTING GUIDE

Following the procedure below to check if the oven is defective or not.

1. Check grounding before trouble checking.
2. Be careful of the high voltage circuit.
3. Discharge the high voltage capacitor.
4. When checking the continuity of the switches, fuse or high voltage transformer, disconnect one lead wire from these parts and check continuity with the AC plug removed. To do otherwise may result in a false reading or damage to your meter.

**NOTE :** When electric parts are checked, be sure the power cord is not inserted the wall outlet.  
Check wire harness, wiring and connected of the terminals and power cord before check the parts listed below.

(TROUBLE 1) Oven does not operate at all ; any inputs can not be accepted.



Condition	Check	Result	Cause	Remedy
Outlet has proper voltage. Fuse does not blow.	Check continuity of magnetron	No Continuity	Defective magnetron	Replace
	Check continuity of noise filter board	No Continuity	Defective line filter board	Replace
	Check continuity of power supply cord	No Continuity	Open power supply cord	Replace
		Normal	Defective touch control circuit	Replace

**NOTE :** All these switches must be replaced at the same time, please refer to Interlock Mechanism and Adjustment.

**(TROUBLE 2)** Display shows all figures selected, but oven does not start cooking, even though desired program and time are set and start pad is tapped.

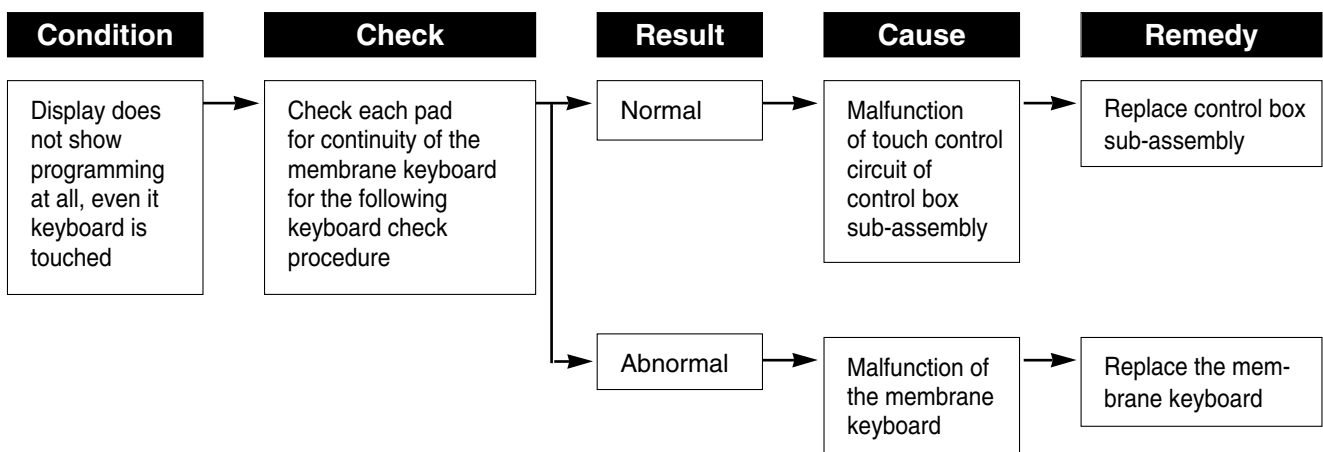
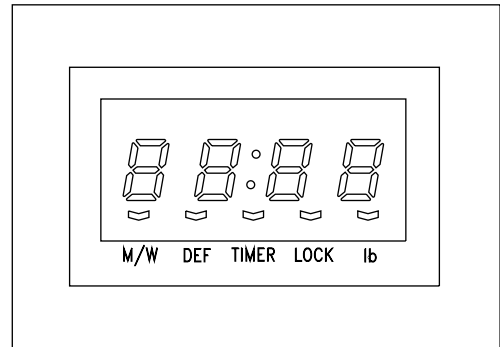
Condition	Check	Result	Cause	Remedy
Turn table motor, and oven lamp do not turn on	Check continuity of primary interlock switch	No Continuity	Malfunction of primary interlock switch	Adjust or Replace
	Check continuity of secondary interlock and D.O.M. switches	No Continuity	Malfunction of secondary interlock and D.O.M switch	Adjust or Replace
	Check D.C. voltage being supplied to RELAY (RY2) coil	0V	Defective touch control circuit	Replace
		Approx 15 VDC	Faulty contacts of RELAY (RY2) or open relay coil	Replace

**(TROUBLE 3) No microwave oscillation even though fan motor rotates.**

Condition	Check	Result	Cause	Remedy
No microwave oscillation	Check continuity of high voltage capacitor terminals with wires removed	Continuity	Defective high voltage transformer	Replace
	Check continuity of high voltage rectifier in forward and backward direction with DC megger	Continuity in backward direction	Defective high voltage rectifier	Replace
	Connect megger leads to magnetron terminal and magnetron body	Continuity	Defective magnetron	Replace
	Check resistance of primary and secondary coil of high voltage transformer	0 $\Omega$ or $\infty$	Defective high voltage transformer	Replace
	Check continuity of magnetron with wires removed	No Continuity	Defective magnetron	Replace
	Check continuity of filament terminal of high voltage transformer	No Continuity	Defective high voltage transformer	Replace
	Check D.C. voltage being supplied to RELAY (RY1) coil	0V	Defective touch control circuit	Replace
		Approx 15 VDC	Faulty contacts of RELAY (RY1) or open relay coil	Replace

**(TROUBLE 4) The following visual conditions indicate a probable defective touch control circuit or membrane switch assembly.**

1. Incomplete segments
  - (1) Segments missing
  - (2) Partical segments missing
  - (3) Digit flickering other than normal display slight flickering
  - (4) :0 does not display when power is on.
2. A distinct change in the display are not on when they numbers is the display.
3. One or more digits in the display are not on when they should be.
4. Display indicates a number different from one touched.
5. Specific numbers (for example 2 or 3) will not display when the panel is touched.
6. Display does not count down or up with time cooking or clock operation.
7. Oven is programable and cooks normally but no display shows.
8. Display obviously jumps in time while counting down.
9. Display counts down noticeably too fast while cooking.
10. Display does not show the time of day when clear pad is touched.
11. Oven lamp and turntable motor do not stop although cooking is finished. Check if the RELAY 2 contacts close if they are close, replace touch control circuit.



**NOTE :** Before following the particular steps listed above in the trouble shooting guide for the membrane keyboards, failure, please check for the continuity of each wire-harness between the membrane keyboard and P.C.B. assembly.



# MEASUREMENT AND TEST

## 1. MEASUREMENT OF THE MICROWAVE POWER OUTPUT

Microwave output power can be checked by indirectly measuring the temperature rise of a certain amount of water exposed to the microwave as directed below.

### PROCEDURE

1. Microwave power output measurement is made with the microwave oven supplied at rated voltage and operated at its maximum microwave power setting with a load of 1000–5cc of potable water.
2. The water is contained in a cylindrical borosilicate glass vessel having a maximum material thickness of 3 mm and an outside diameter of approximately 190 mm.
3. The oven and the empty vessel are at ambient temperature prior to the start of the test.

The initial temperature of the water is 10–23C (50-3.63F)

It is measured immediately before the water is added to the vessel.

After addition of the water to the vessel, the load is immediately placed on the center of the shelf, which is in the lowest normal position.

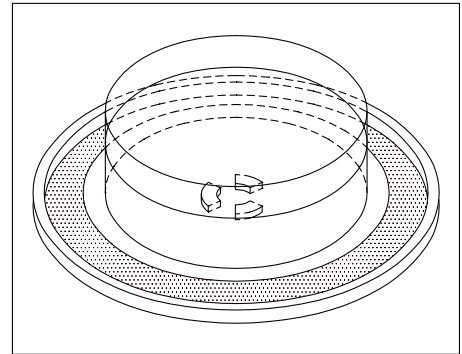
4. Microwave power is switched on.
5. Heating time should be exactly **A** seconds. (Refer to table as following)  
Heating time is measured while the microwave generator is operating at full power.  
The filament heat-up time for magnetron is not included.
6. The initial and final temperature of water is selected so that the maximum difference between the ambient and final water temperature is 5K.
7. The microwave power output P in watts is calculated from the following formula :

$$P=4187 \times \Delta T/t$$

¥ΔT is difference between initial and ending temperature.

¥ t is the heating time.

The power measured should be B (Refer to SPECIFICATIONS)W–10.0%.



### CAUTION :

1. Water load should be measured exactly to 1 liters.
2. Input power voltage should be exactly specified voltage(Refer to SPECIFICATIONS).
3. Ambient temperature should be 20–23C(68-3.63F)

Heating time for power output:

<b>A(second)</b>	70	64	60	56	52	49	47	44	42	40	38
<b>B(W)</b>	600	650	700	750	800	850	900	950	1000	1050	1100

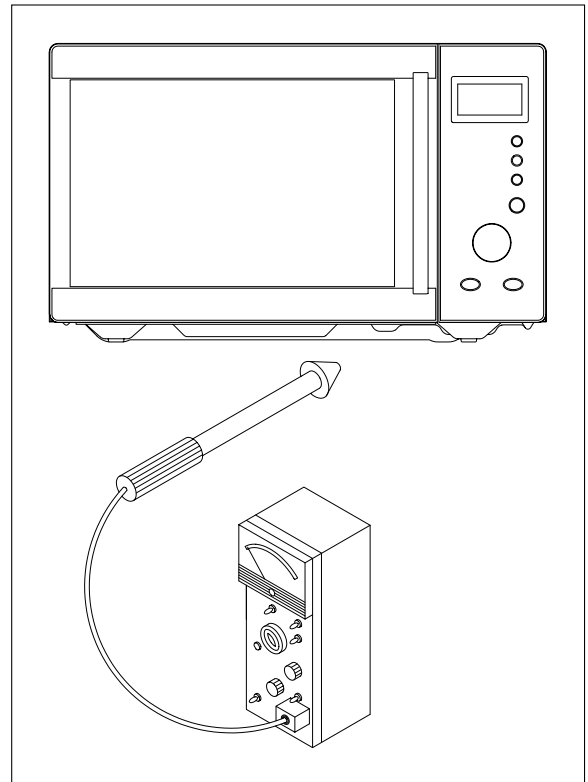
## 2. MICROWAVE RADIATION TEST

### CAUTION :

1. Make sure to check the microwave leakage before and after repair of adjustment.
2. Always start measuring of an unknown field to assure safety for operating personnel from microwave energy.
3. Do not place your hands into any suspected microwave radiation field unless the safe density level is known.
4. Care should be taken not to place the eyes in direct line with the source of microwave energy.
5. Slowly approach the unit under test until the radiometer reads an appreciable microwave leakage from the unit under the test.

### PROCEDURES

1. Prepare Microwave Energy Survey Meter, 600cc glass beaker, and glass thermometer 100 $\beta$ C(212 $\beta$ F).
2. Pour 275cc–15cc of tap water initially at 20–5 $\beta$ C(68–9 $\beta$ F) in the 600cc glass beaker with an inside diameter of approx. 95mm(3.5in.).
3. Place it at the center of the tray and set it in a cavity.
4. Close the door and operate the oven.
5. Measure the leakage by using Microwave Energy Survey Meter with dual ranges, set to 2450MHz.
  - 1) Measured radiation leakage must not exceed the value prescribed below. Leakage for a fully assembled oven with door normally closed must be less than 4mW/cm<sup>2</sup>.
  - 2) When measuring the leakage, always use the 5cm(2in.) space cone with probe. Hold the probe perpendicular to the cabinet and door. Place the space cone of the probe on the door, cabinet, door seem, door viewing screen, the exhaust air vents and the suction air vents.
  - 3) Measuring should be in a counter-clockwise direction at a rate of 1 in./sec. If the leakage of the cabinet door seem is unknown, move the probe more slowly.
  - 4) When measuring near a corner of the door, keep the probe perpendicular to the areas making sure the probe end at the base of the cone does not get closer than 2 in. from any metal. If it does not, erroneous reading may result.



---

### 3. COMPONENT TEST PROCEDURE

⚠High voltage is present at the high voltage terminal of the high voltage transformer during any cooking cycle.

⚠It is neither necessary nor advisable to attempt measurement of the high voltage.

⚠Before touching any oven components or wiring, always unplug the oven from its power source and discharge the capacitor.

#### 1. High voltage transformer

(1) Remove connections from the transformer terminals and check continuity.

(2) Normal readings should be as follows:

Secondary winding .....Approx.  $110\Omega$ –10%

Filament winding .....Approx.  $0\Omega$

Primary winding .....Approx.  $1\Omega$

#### 2. High voltage capacitor

(1) Check continuity of capacitor with meter on the highest OHM scale.

(2) A normal capacitor will show continuity for a short time, and then indicate  $10M\Omega$  once the capacitor is charged.

(3) A shorted capacitor will show continuous continuity.

(4) An open capacitor will show constant  $10M\Omega$ .

(5) Resistance between each terminal and chassis should be infinite.

#### 3. High voltage diode

(1) Isolate the diode from the circuit by disconnecting the leads.

(2) With the ohmmeter set on the highest resistance scale measure the resistance across the diode terminals.

Reverse the meter leads and again observe the resistance reading.

Meter with 6V, 9V or higher voltage batteries should be used to check the front-back resistance of the diode, otherwise an infinite resistance may be read in both directions.

A normal diode's resistance will be infinite in one direction and several hundred  $K\Omega$  in the other direction.

#### 4. Magnetron

For complete magnetron diagnosis, refer to Measurement of the Microwave Power Output .

Continuity checks can only indicate an open filament or a shorted magnetron.

To diagnose for an open filament or a shorted magnetron.

(1) Isolate magnetron from the circuit by disconnecting the leads.

(2) A continuity check across magnetron filament terminals should indicate  $0.1\Omega$  or less.

(3) A continuity check between each filament terminal and magnetron case should read open.

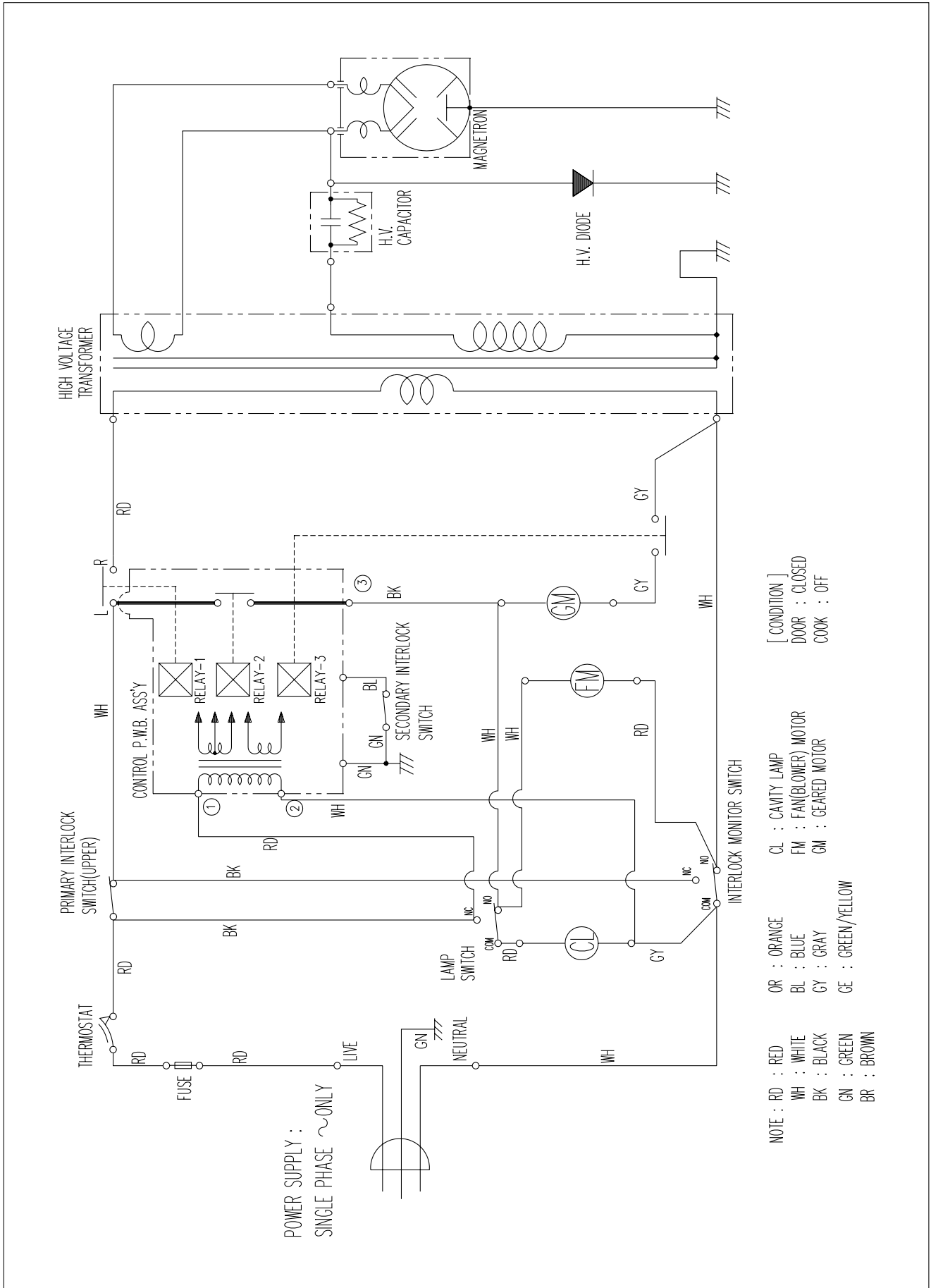
#### 5. Fuse

If the fuse in the primary and monitor switch circuit is blown when the door is opened, check the primary and monitor switch before replacing the blown fuse.

In case the fuse is blown by an improper switch operation, replace the defective switch and fuse at the same time.

Replace just the fuse if the switches operate normally.

# WIRING DIAGRAM



# PRINTED CIRCUIT BOARD

## 1. CIRCUIT CHECK PROCEDURE

### 1. Low Voltage Transformer check

¥ The low voltage transformer is located on the P.C.B.

¥ Measuring condition: input voltage : 230V/Frequency : 50Hz

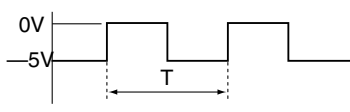
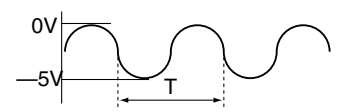
Terminal Voltage	LOAD	NO LOAD
4-7	AC 25.8 V	AC 28.4 V

#### NOTE :

1. Refer to Circuit Diagram (point 4).
2. Secondary side voltage of the low voltage transformer changes in proportion to fluctuation of power source voltage.
3. The allowable tolerance of the secondary voltage is within - 5% of nominal voltage.

## 2. Voltage check

¥ Key check point

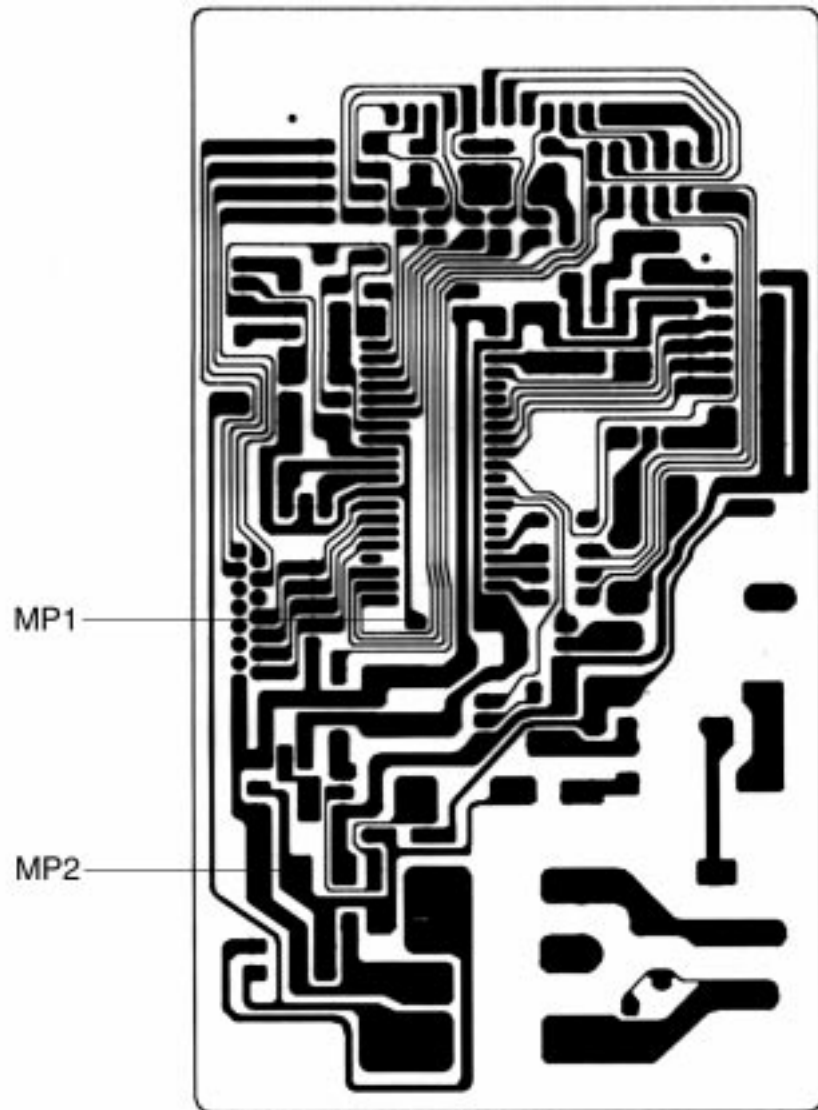
NO	CHECK POINT	REMARK
1	IC 1 PIN 2, 21, 30, 34	-5 VDC
2	IC 1 PIN 35	 <p>T:20ms(50Hz)</p>
3	IC 1 PIN 31 OR 32	 <p>T: 250 ns (4MHz)</p>

¥ Check method

NO	MEASURE POINT	WAVE FORM	REMEDY	REMARK
1	MP1	DC -5V-0.25V	Replace VL1, EC1	NO LOAD
2	MP2	DC -12V-2.0V	Replace EC2, D6, D11, D12	NO LOAD

#### NOTE :

Each measure point must be measured with GND points.



Measure Point

### 3. When there is no microwave oscillation

1) When touching **START** pad, oven lamp does not turn on.

Fan motor do not rotate, but cook indicator in display comes on.

\* Cause : **RELAY 2** does not operate. → refer to Circuit Diagram (Point 3)

- Check method

STATE \ POINT	A	B
RELAY 2 ON	-5VDC	GND
RELAY 2 OFF	GND	-12VDC

2) When touching **START** pad, oven lamp turns on.

Fan motor and turntable rotate and cook indicator in display comes on.

\* Cause : **RELAY 1** does not operate. → refer to Circuit Diagram (Point 2)

- Check method

STATE \ POINT	A	B
RELAY 1 ON	-5VDC	GND
RELAY 1 OFF	GND	-12VDC

### 4. When the door is opened during operation, the count down timer does not stop.

→ refer to Circuit Diagram (Point 1)

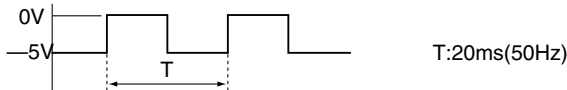
-Check method

STATE \ POINT	A	B
1) DOOR OPEN	OPEN	-5VDC
2) DOOR CLOSED	CLOSE	GND

CHECK NO	METHOD	REMEDY
1	Check the stage (ON, OFF) of the door open monitor switch by resistance measurement.	Replace door open monitor switch.

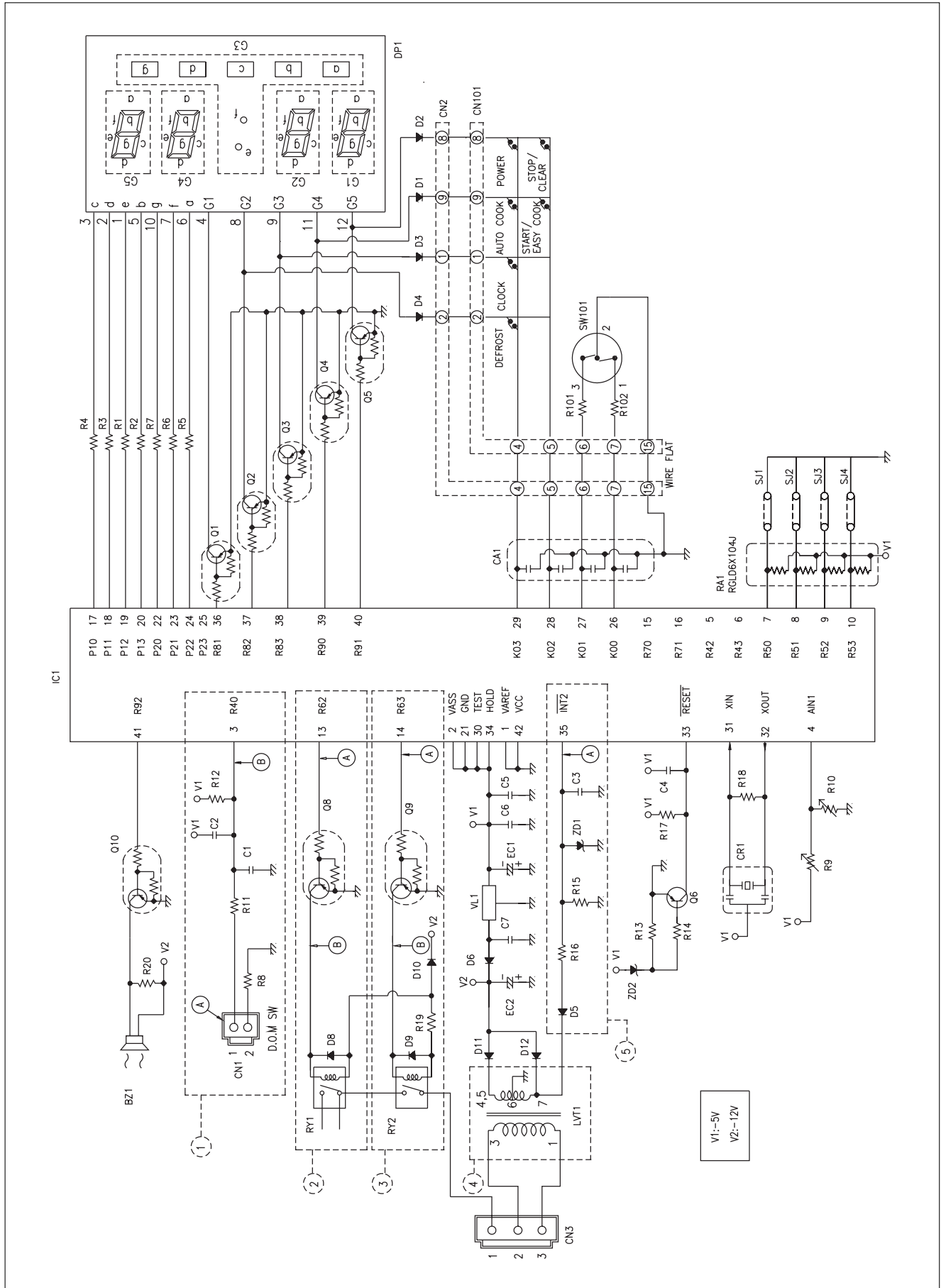
### 5. When the digital clock does not operate properly.

→ refer to Circuit Diagram (Point 5)

POINT	WAVE FORM
1	

\* If clock does not keep exact time, you must check resistor R15, 16, zener diode ZD1.

## 2. PCB CIRCUIT DIAGRAM





### 3. P.C.B. LOCATION NO.

NAME	NAME	SYMBOL	SPECIFICATION	PART CODE	Q'TY	REMARK
1	PCB MAIN	M166	82 X 146.8	3514321140	1	MAIN PCB
2	BUZZER	BZ1	BM-20K	3515600100	1	
3	C ARRAY	CA1	5P(4) 1000PF M 50V	CN4XB-102M	1	
4	CAPACITOR CERA	C6	102 50V Z AXIAL	CCZB1H102K	1	
5	CAPACITOR CERA	C1~5, C7	104 50V Z AXIAL	CCZF1H104Z	6	
6	CAPACITOR ELEC	EC1	16V RSS 100MF	CXF1C101V	1	
7	CAPACITOR ELEC	EC2	25V RSS 1000MF	CXF1E102V	1	
8	CONNECTOR WAFER	CN1	YW396-02V	3519150520	1	
9	CONNECTOR WAFER	CN2	HLEM15S-1	4CW215SBDO	1	
10	CONNECTOR WAFER	CN3	YW396-05AV	3519150510	1	
11	DIODE SWITCHING	D1~6, D8~10	1N4148	DZN4148---	9	
12	DIODE RECTIFY	D11,12	KN4004A	DZN4004A--	2	
13	DIODE ZENER	ZD1	MTZ- 5.1VB 1/2W	DZTZ5R1B--	1	
14	DIODE ZENER	ZD2	MTZ- 3.9VB 1/2W	DZTZ3R9B--	1	
15	IC MICOM	IC1	TMP47C440BN-NGO4	13GS631R00	1	
16	IC REGULATOR	VL1	MC7905C	1MC7905C--	1	
17	LED DISPLAY	DP1	DDG-631H	DDD631H--	1	
18	R ARRAY	RA1	RGLD4X104J	RA-85X104J	1	
19	R CARBON FILM	R19	1/4W 27 5%	RD-4Z270J-	1	
20	R CARBON FILM	R13	1/6W 100 5%	RD-AZ101J-	1	
21	R CARBON FILM	R1~R7	1/6W 330 5%	RD-AZ331J-	7	
22	R CARBON FILM	R8,9,11,14,20	1/6W 1K 5%	RD-AZ102J-	5	
23	R CARBON FILM	R15,16,17	1/6W 10K 5%	RD-AZ103J-	3	
24	R CARBON FILM	R12	1/6W 100K 5%	RD-AZ104J-	1	
25	R CARBON FILM	R18	1/6W 1M 5%	RD-AZ105J-	1	
26	RESONATOR CERA	CR1	KBR-4.0MKSTF	5PKBR40MKS	1	
27	SW RELAY	RY1	G5G-1A 1C 1P DC12V	5SC0101121	1	
28	SW RELAY	RY2	OJ-SS-112LM DC 12V	5SC0101404	1	
29	TRANSISTOR	Q1~5, Q8~10	KRA-106M	TZRA106M--	8	
30	TRANSISTOR	Q6	KTA-1270Y	TZTA1270Y-	1	
31	TRANS POWER	LVT1	DMR-631FS	5EPV035303	1	
32	WIRE COPPER	J1~J5,J8,J10~13,J15,J17	1/0.52 TIN COATING	85801052GY	12	7.5mm
33	WIRE COPPER	J9,J14,J16	1/0.52 TIN COATING	85801052GY	3	10.0mm
34	WIRE COPPER	J6,J7	1/0.52 TIN COATING	85801052GY	2	12.5mm
35	WIRE FLAT	WF1	15/90 WH C	WSJ-159007	1	
1	PCB SUB	M167	82 X 161	3514321220	1	SUB PCB
2	CONNECTOR WAFER	CN101	HLEM15R-1	4CW215RBDO	1	
3	R CARBON FILM	R101, R102	1/6W 1K 5%	RD-AZ102J-	2	
4	SW ROTARY	SW101	SDB161PVB17F123636	5S10109002	1	
5	SW TACT	SW102~SW107	KPT-1115AM	5S50101Z93	6	
6	WIRE COPPER	J101	1/0.52 TIN COATING	85801052GY	1	7.5mm

# EXPLODED VIEW AND PARTS LIST

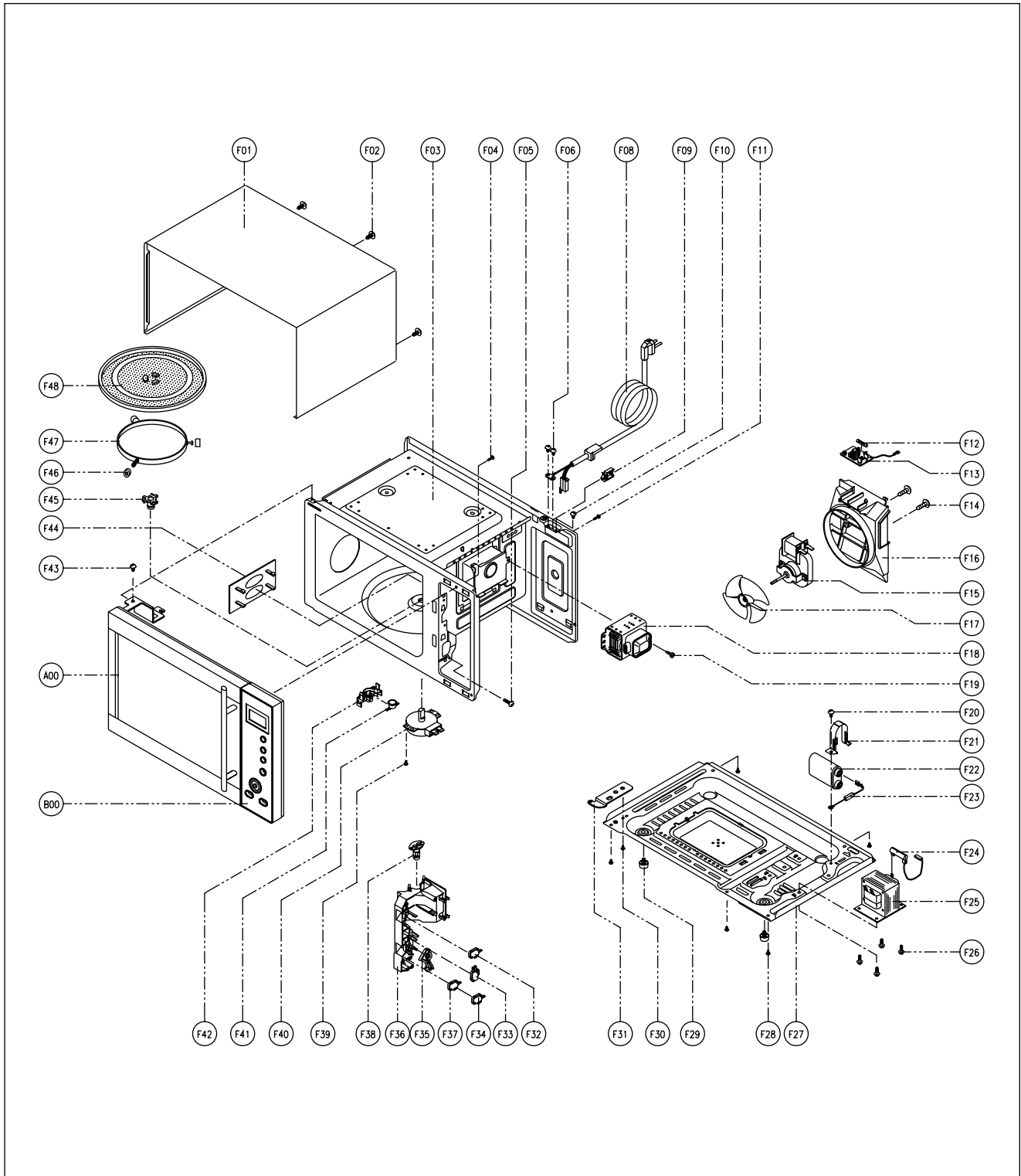
## 1. DOOR ASSEMBLY

Refer to Disassembly and assembly.

## 2. CONTROL PANEL ASSEMBLY

Refer to Disassembly and assembly.

## 3. TOTAL ASSEMBLY



NAME	PART CODE	PART NAME	DESCRIPTION	Q'TY
A00		DOOR AS	Refer to disassembly and assembly	1
B00		CONTROL PANEL AS	Refer to disassembly and assembly	1
F01	3510801310	CABINET	PCM T0.36 GE	1
F02	7112401011	SCREW TAPPING	T1 TRS 4*10 MFZN	3
F03	3516109000	CAVITY WELD AS	CAVITY WELD AS	1
	3516109600	CAVITY JOINT AS	CAVITY JOINT AS	1
F04	7112401011	SCREW TAPPING	T1 TRS 4*10 MFZN	1
F05	7122401211	SCREW TAPPING	T2S TRS 4*12 MFZN	1
F06	7122401211	SCREW TAPPING	T2S TRS 4*12 MFZN	1
F08	35113AEQ0D	CORD POWER AS	3X0.75 70X70 100-RTML	1
F09	4413A90012	CLAMP POWER CORD	NYLON66	1
F10	7112401011	SCREW TAPPING	T1 TRS 4*10 MFZN	1
F11	7122401211	SCREW TAPPING	T2S TRS 4*12 MFZN	1
F12	4415D67620	FUSE	250V 12A 65TS	1
	4415D67120	FUSE	250V 12A MDA	1
F13	3518606200	NOISE -FILTER	DWLF-M12	1
F14	7121403011	SCREW TAPPING	T2S PAN 4X30 MFZN	2
F15	3963513100	MOTOR SHADED POLE	120V 17W OEM-10DWC2-A07	1
	3963512310	MOTOR SHADED POLE	230V 20W MW10CA-M02	1
F16	3512517000	GUIDE WIND	PP	1
F17	3511800300	FAN	PP+30%GLASS	1
F18	3518002200	MAGNETRON	2M218H(MF)I	1
F19	3516004000	SPECIAL SCREW	T2 BOLT FLANGE 5X12 DACRO	1
F20	7272400811	TAPTITE SCREW	TT2 TRS 4*8 MFZN	1
F21	3513003200	HOLDER HV CARACITOR	SECC T0.6	1
F22	3518302200	CAPACITOR HV	2100VAC 0.98uF #187	1
F23	3518400400	DIODE HV	HVR-1X-3AB 12KV #187	1
F24	3518701100	FUSE HV	5KV 0.55A HV-41A55-02	1
F25	3518113700	TRANS HV	DY-N80S0-63T	1
F26	3516003700	SPECIAL SCREW	TT3 HEX 4X8 FLG MFZN	4
F27	3510311700	BASE	SBHG T0.8	1
F28	7112401011	SCREW TAPPING	T1 TRS 4*10 MFZN	5
F29	3512100900	FOOT	PP DASF-130	2
F30	7272400811	SECRW TAPTITE	TT3 TRS 4X8 MFZN	1
F31	3515201101	STOPPER HINGE *U	SCP-1 T2.5	1
F32	4415A17352	SW MICRO	VP-533A-OF SPNO #187 200G	1
F33	4415A66910	SW MICRO	VP-531A-OF/SZM-V16-FA-61	1
F34	4415A17352	SW MICRO	VP-533A-OF SPNO #187 200G	1
F35	3513702610	LEVER LOCK	POM	1
F36	3513811710	LOCK	POM	1
F37	4415A17352	SW MICRO	VP-533A-OF SPNO #187 200G	1
F38	3513601600	LAMP	BL 240V 25W T25 C7A H187	1
F39	7121400611	SCREW TAPPING	T2S PAN 4X6 MFZN	1
F40	3966310100	MOTOR SYNCRO	220V 2.5W GM-16-24FD12	1
	3966310110	MOTOR SYNCRO	220V 2.5W M2LJ49ZT52	1
F41	3518905300	THERMOSTAT	OFF:75 ON:65 H #187 NB	1
F42	3513003400	HOLDER THERMOSTAT	PBT	1
F43	3516003700	SPECIAL SCREW	TT3 HEX 4X8 FLG MFZN	1
F44	3511406200	COVER WAVE GUIDE	HEATPROOF PP	1
F45	3517400620	COUPLER	XAREC	1
F46	3514700710	ROLLER	TEFLON	3
F47	3512517300	GUIDE ROLLER	PP 5116MF6 A353B	1
F48	3517203600	TRAY	GLASS	1

**DAEWOO**  
**DAEWOO ELECTRONICS CO., LTD.**  
686, AHYEON-DONG MAPO-GU SEOUL, KOREA  
C.P.O. BOX 8003 SEOUL, KOREA  
TELEX: DWELEC K28177-8  
CABLE: DAEWOOELEC

S/M NO. : R634R0S002

PRINTED DATE: DEC, 2001