

SECTION 6 EXPLODED VIEWS

NOTE :

- Items with no part number and no description are not stocked because they are seldom required for routine service.
- The construction parts of an assembled part are indicated with a collation number in the remarks column.
- Items marked “*” are not stocked since they are seldom required for routine service. Some delay should be anticipated when ordering these items.

Note : Les composants identifiés par une trame et par une marque Δ sont d'une importance critique pour la securite. Ne les remplacer que par des pieces du numero specifie.

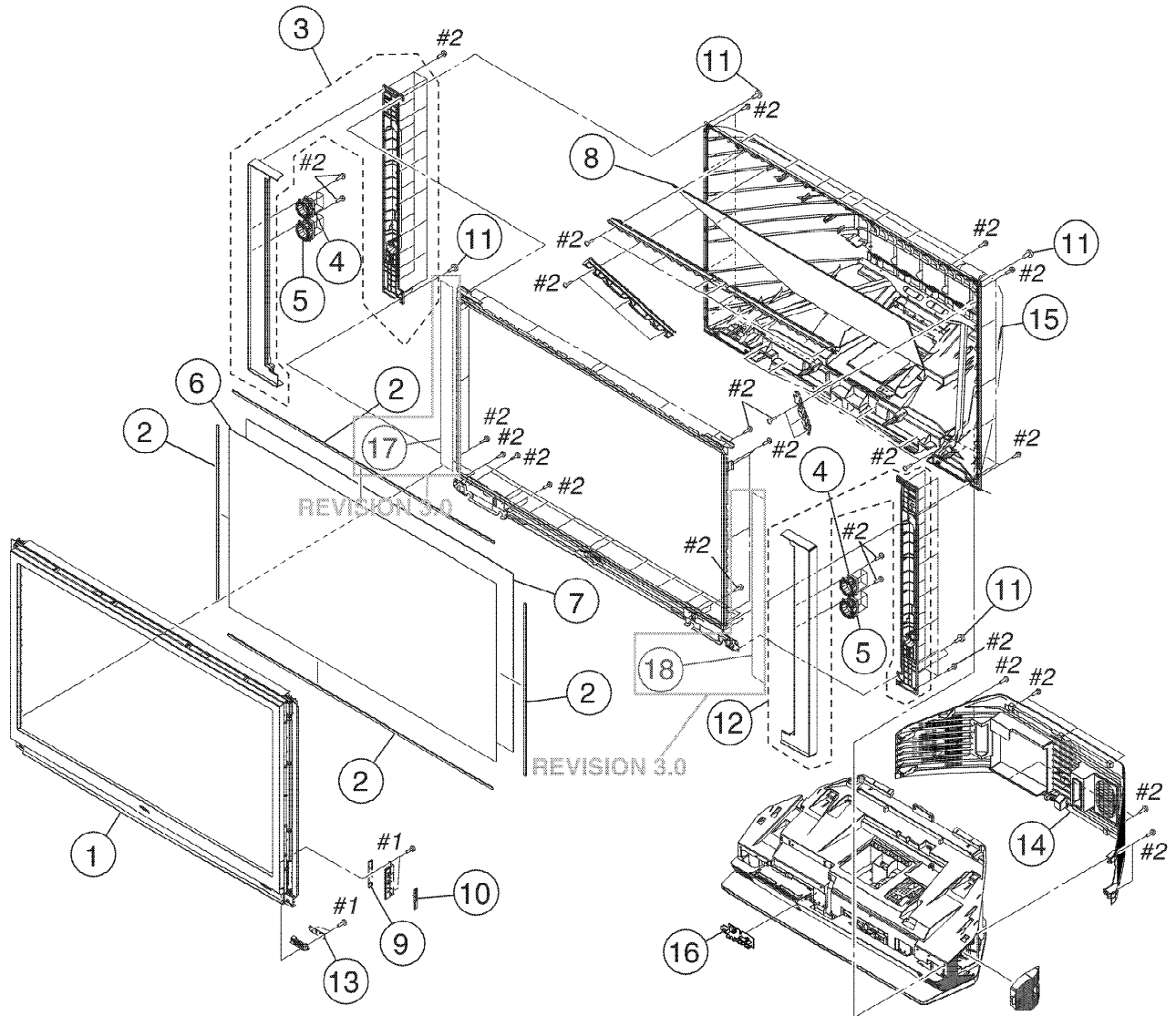
Note : The components identified by shading and marked Δ are critical for safety. Replace only with the part numbers specified in the parts list.

Note : The components identified by mark Ⓜ contain confidential information. Strictly follow the instructions whenever the components are repaired and/or replaced.

6-1. SCREEN, COVERS

#1 : 7-685-648-79 SCREW +BVTP 3X12 TYPE2 IT-3

#2 : 2-580-640-01 SCREW, +BVTP2 4X16



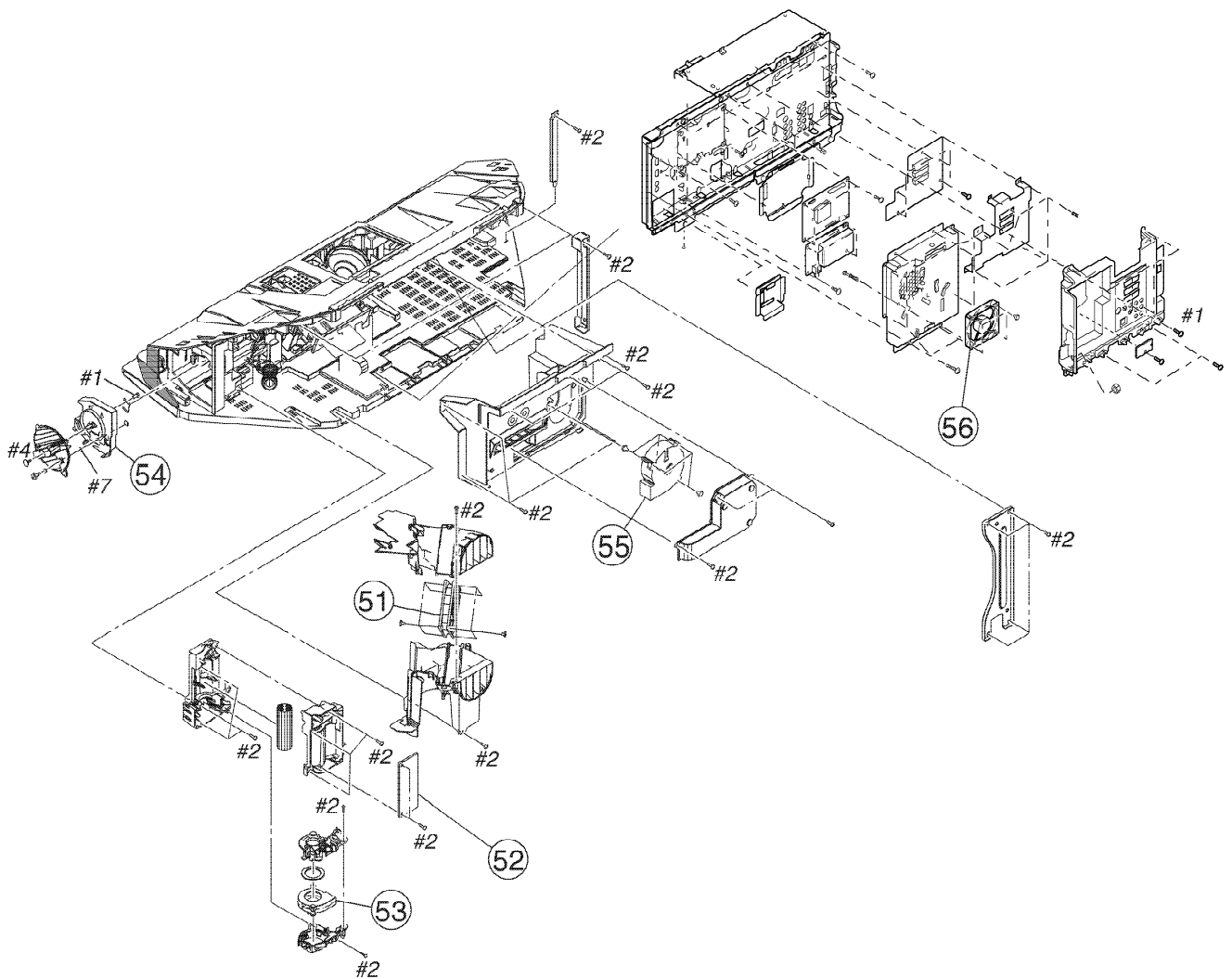
REF.NO.	PART.NO	DESCRIPTION	REMARK	REF.NO.	PART.NO	DESCRIPTION	REMARK
1	A-1219-005-A	SCREEN FRM BEZEL(70)ASSY		10	*A-1174-525-A	H4 BOARD, COMPLETE	
2	7-600-001-97	TAPE, ACETATE (P2412) 25X30M		11	4-100-506-01	COIN SCREW (DIA.16)	
3	A-1216-294-A	SPEAKER BOX(L) ASSY		12	A-1216-295-A	SPEAKER BOX(R) ASSY	
4	1-826-236-11	LOUDSPEAKER		13	*A-1174-523-A	H2B BOARD, COMPLETE	
5	1-826-237-11	LOUDSPEAKER		14	A-1219-006-A	COVER,REAR ASSY	
6	2-682-352-11	PLATE(70L), DIFFUSION		15	A-1216-290-A	MIRROR,COVER(70) ASSY	
7	2-682-353-11	PLATE(70F), DIFFUSION		16	*A-1197-098-A	H3 BOARD, COMPLETE	
8	A-1216-291-A	MIRROR(70) ASSY		17	2-677-956-02	PLATE, ORNAMENTAL (L)	REVISION 3.0
9	1-479-969-22	SWITCH MODULE		18	2-677-957-22	PLATE, ORNAMENTAL (R)	

6-2. BOTTOM BLOCK-1

- #1 : 7-685-648-79 SCREW +BVTP 3X12 TYPE2 IT-3
- #2 : 2-580-640-01 SCREW, +BVTP2 4X16
- #7 : 2-580-626-01 SCREW, SP 4-40 UNC

Note : Les composants identifiés par une trame et par une marque Δ sont d'une importance critique pour la securite. Ne les remplacer que par des pieces du numero specifie.

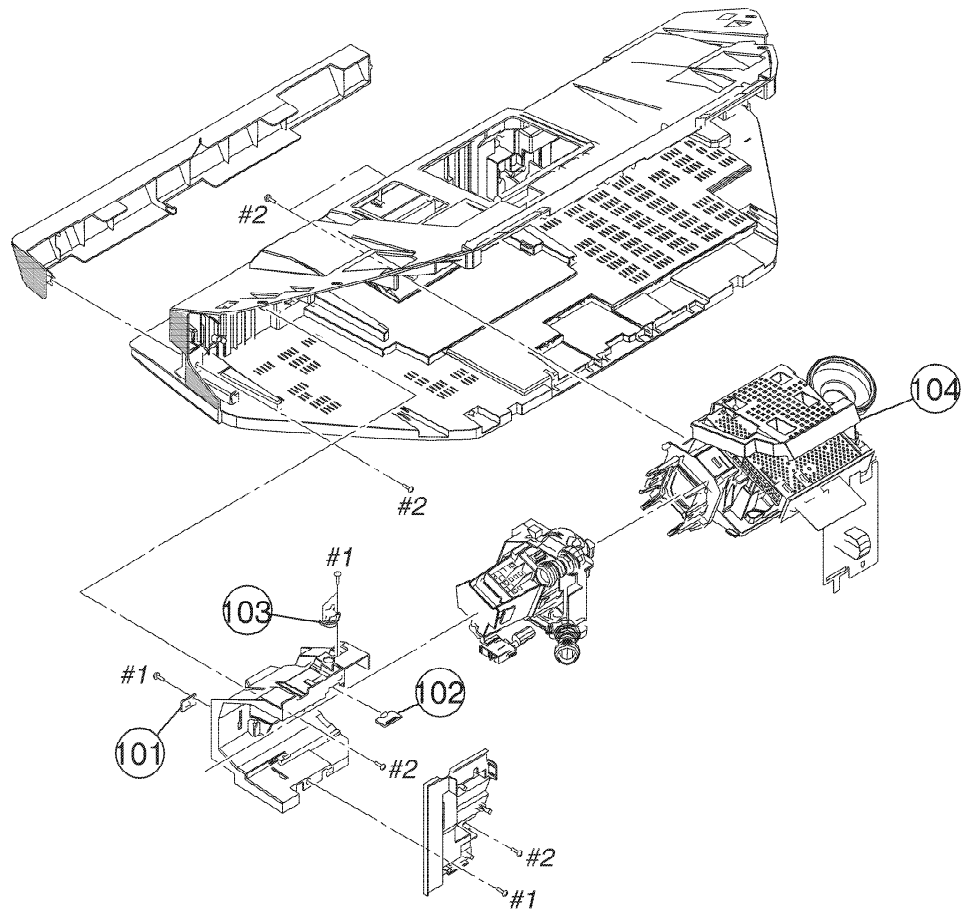
Note : The components identified by shading and marked Δ are critical for safety. Replace only with the part numbers specified in the parts list.



REF.NO.	PART.NO	DESCRIPTION	REMARK	REF.NO.	PART.NO	DESCRIPTION	REMARK
51	Δ 8-835-860-31	MOTOR, DC SFF21C/C-NP		54	2-683-598-01	DOOR, LAMP	
52	Δ 1-474-010-11	EUC180DR/01		55	Δ 8-835-876-11	MOTOR, DC SFF25A/C-NP	
53	Δ 8-835-873-11	MOTOR, DC SFF24A/C-NP		56	Δ 1-787-333-11	D.C. FAN	

6-3. BOTTOM BLOCK-2

- #1 : 7-685-648-79 SCREW +BVTP 3X12 TYPE2 IT-3
- #2 : 2-580-640-01 SCREW, +BVTP2 4X16



REF.NO.	PART.NO	DESCRIPTION	REMARK	REF.NO.	PART.NO	DESCRIPTION	REMARK
101	*A-1174-526-A	T1 BOARD, COMPLETE		103	△ 1-576-995-11	THERMOSTAT	
102	*A-1197-099-A	S2 BOARD, COMPLETE		104	△ A-1203-197-A	BLOCK ASSY (R70), OPTICS	

Note: The C board and optics block must be aligned as a unit so the C board cannot be ordered separately. If required please order A-1203-197-A BLOCK ASSY (R70), OPTICS