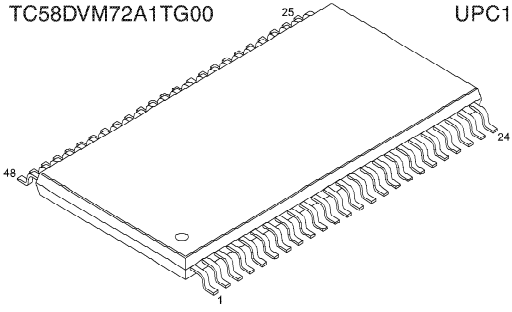
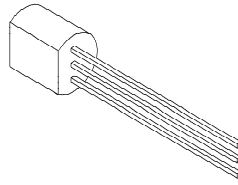


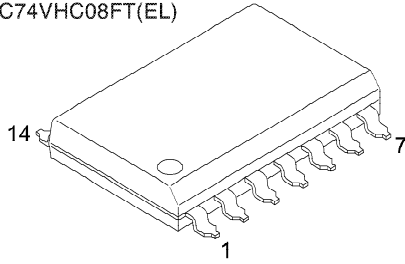
TC58DVM72A1TG00



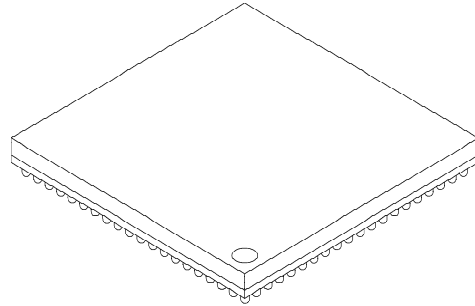
UPC1093J-1-T



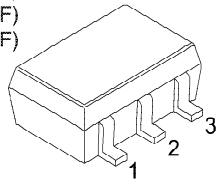
TC74VHC08FT(EL)



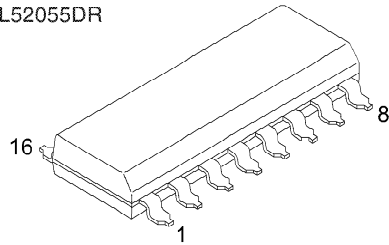
UPD61120AF1-100-JN1-A



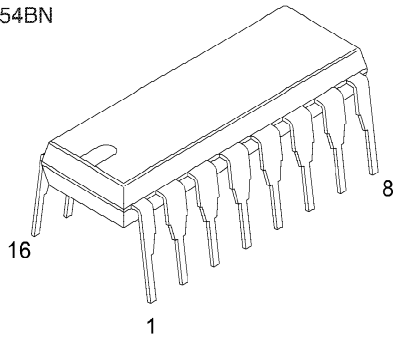
TC7S66FU
TC7SH04FU(T5RSOYJF)
TC7SH08FU(T5RSOYJF)
TC7SH86FU(T5RSOYJF)



TL52055DR



UC3854BN

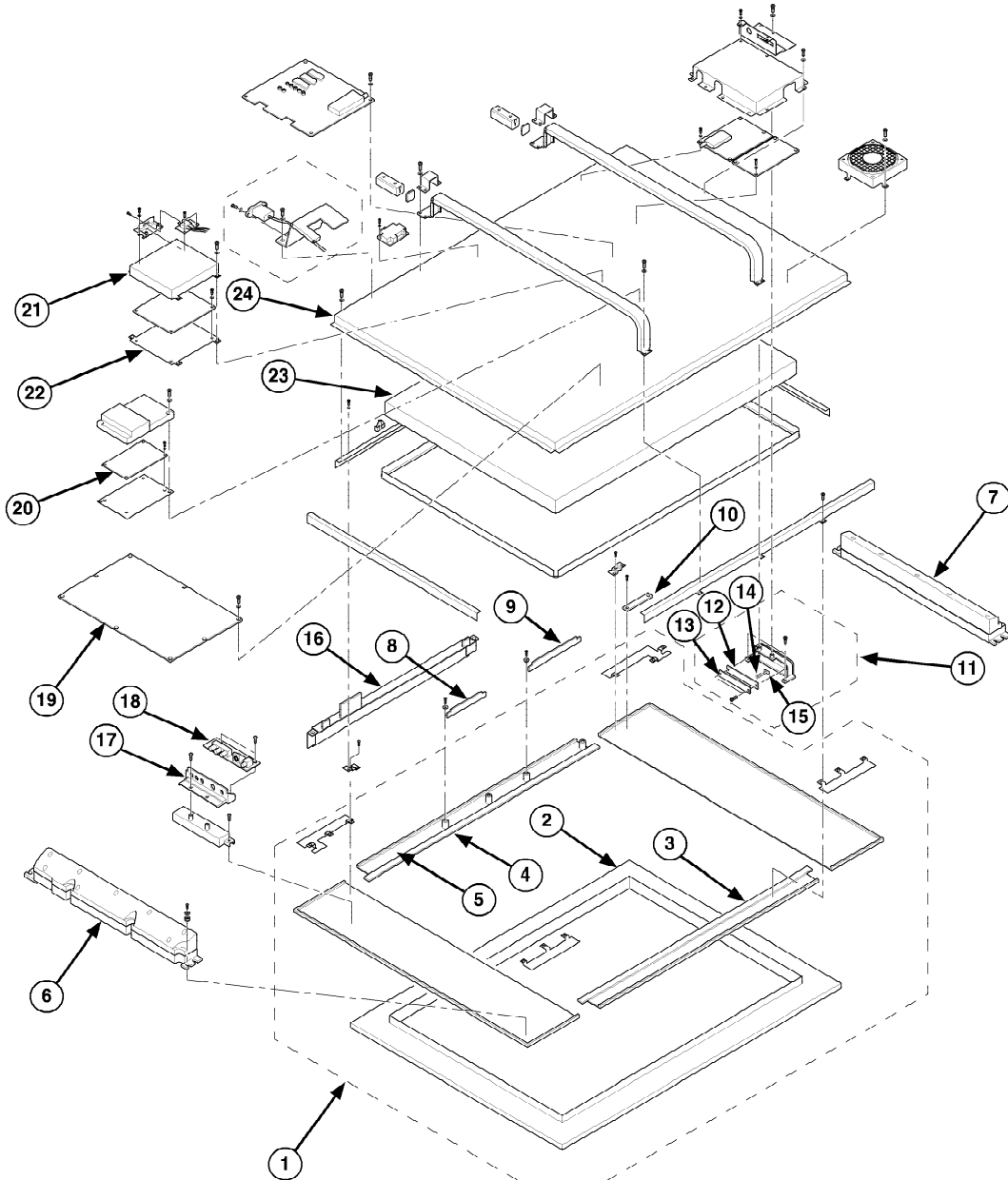


SECTION 5 EXPLODED VIEWS

NOTE :

- Items with no part number and no description are not stocked because they are seldom required for routine service.
- The construction parts of an assembled part are indicated with a collation number in the remarks column.
- Items marked "*" are not stocked since they are seldom required for routine service. Some delay should be anticipated when ordering these items.

5-1. CHASSIS

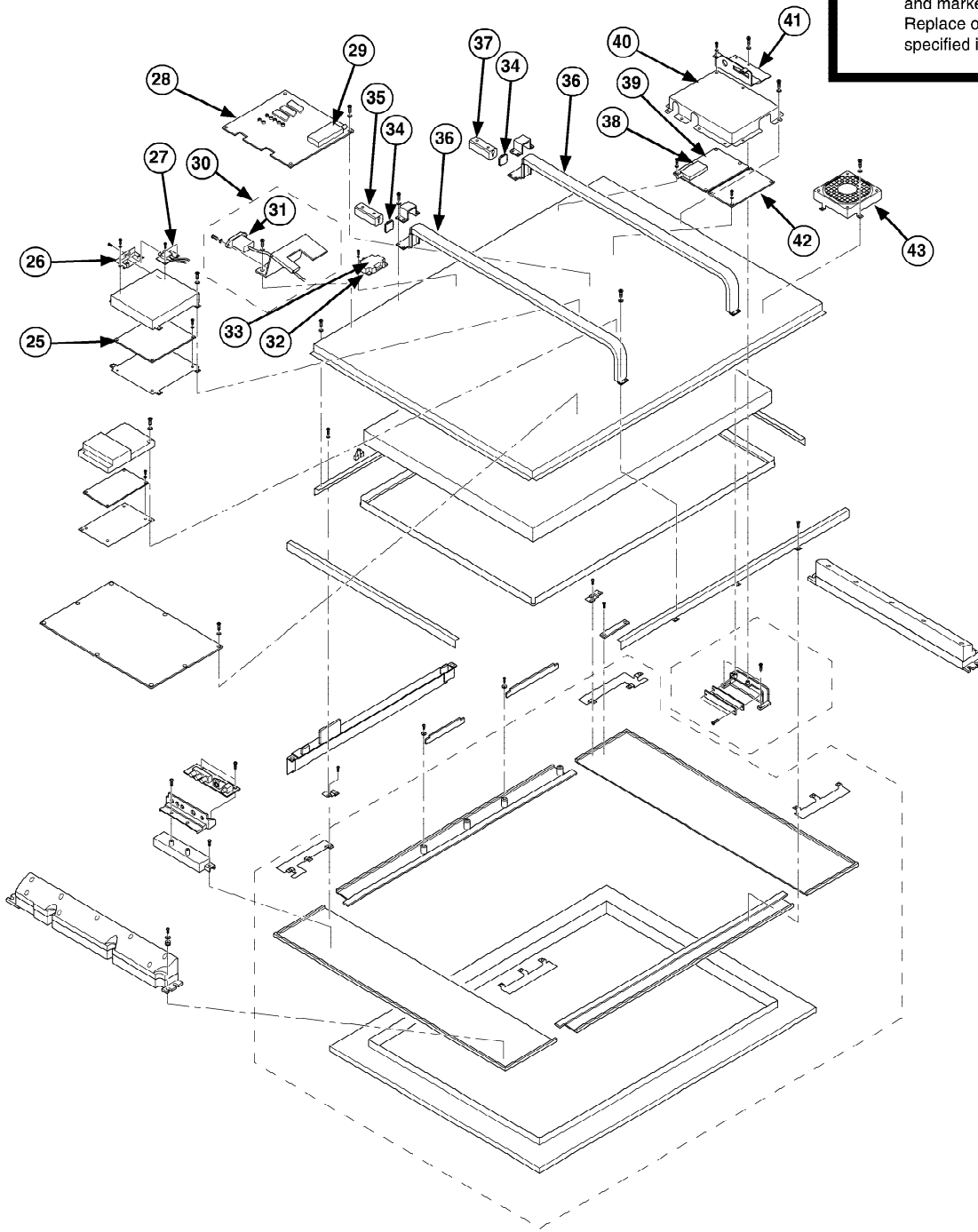


REF.NO.	PART.NO	DESCRIPTION	REMARK	REF.NO.	PART.NO	DESCRIPTION	REMARK
1	*X-2050-377-3	CABINET ASSY	2 - 5	13	*A-1090-216-A	H1 BOARD, COMPLETE	
2	2-176-542-02	BEZEL		14	*4-098-112-01	SPRING, COMPRESSION	
3	2-176-537-12	PANEL (TOP)		15	2-149-615-02	POWER BUTTON	
4	2-103-631-03	BAR, OPTICAL		16	A-1087-030-B	BOTTOM BLOCK	
5	2-176-538-11	PANEL (BOTTOM)		17	*2-149-768-11	BRACKET, H2	
6	1-825-949-23	LOUDSPEAKER (R)		18	*A-1090-217-A	H2 BOARD, COMPLETE	
7	1-825-949-13	LOUDSPEAKER (L)		19	*A-1142-496-A	G3L BOARD, COMPLETE	
8	*A-1090-219-A	H4 BOARD, COMPLETE		20	*A-1061-893-C	K BOARD, COMPLETE	
9	*A-1090-218-A	H3 BOARD, COMPLETE		21	*2-580-358-01	SHIELD, DIGITAL TOP(S)	
10	*A-1090-220-A	H5 BOARD, COMPLETE		22	*2-580-360-02	SHIELD, DIGITAL BOTTOM(S)	
11	*X-2050-381-1	TERMINAL (R) ASSY, SIDE	12 - 15	23	1-805-879-11	PANEL, LCD	
12	2-149-614-11	MULTI BUTTON		24	*X-2059-832-1	COVER ASSY, UNDER	

Note : Les composants identifiés par une trame et par une marque Δ sont d'une importance critique pour la sécurité. Ne les remplacer que par des pièces du numéro spécifié.

Note : The components identified by shading and marked Δ are critical for safety. Replace only with the part numbers specified in the parts list.

5-1. CHASSIS (Continued)

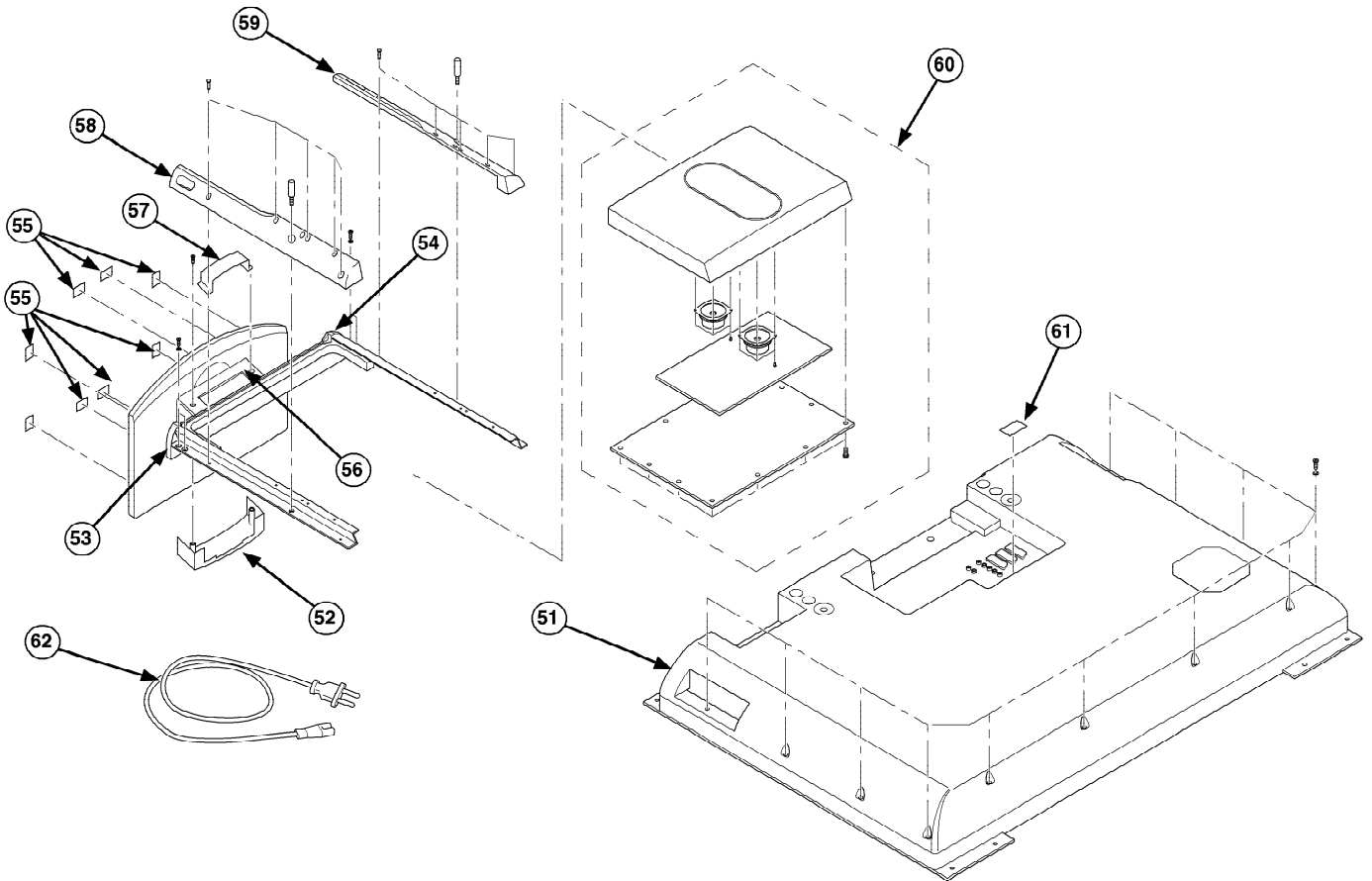


REF.NO.	PART.NO	DESCRIPTION	REMARK	REF.NO.	PART.NO	DESCRIPTION	REMARK
25	*A-1147-556-A	BL BOARD, COMPLETE		35	2-179-900-01	HORN (R)	
26	*2-589-627-01	RF BRACKET		36	*2-580-365-01	BRACKET, CHASSIS	
27	*A-1090-224-A	RF BOARD, COMPLETE		37	2-318-332-01	HORN (L)	
28	*A-1101-831-E	A2 BOARD, COMPLETE		38	8-597-997-00	TUNER, FSS BTP-DC412Z	
29	8-597-993-00	TUNER, FSS BTF-EF412Z		39	*A-1124-569-B	N BOARD, COMPLETE	
30	*A-1114-983-A	TERMINAL BLOCK ASSY	31	40	*2-580-357-01	SHIELD, N	
31	Δ 1-818-098-21	INLET, AC (WITH NOISE FILTER)		41	*2-580-363-01	BRACKET, CARD	
32	*A-1115-077-C	P BOARD, COMPLETE		42	*A-1110-611-B	NP1 BOARD, COMPLETE	
33	*2-580-361-01	SHIELD, HDMI		43	1-787-393-11	D.C. FAN	
34	2-179-902-01	HORN CAP					

5-2. STAND, WOOFER and REAR COVER

Note : Les composants indentifiés par une trame et par une marque Δ sont d'une importance critique pour la securite. Ne les remplacer que par des pieces du numero specifie.

Note : The components identified by shading and marked Δ are critical for safety. Replace only with the part numbers specified in the parts list.



REF.NO.	PART.NO	DESCRIPTION	REMARK	REF.NO.	PART.NO	DESCRIPTION	REMARK
51	2-176-544-11	COVER, REAR		57	2-179-941-01	COVER, CABLE	
52	2-179-939-01	NECK FRONT		58	2-179-911-02	PANEL (L), ORNAMENT	
53	2-179-899-01	CAP, BOTTOM (R)		59	2-179-897-02	PANEL (R), ORNAMENT	
54	2-179-898-01	CAP, BOTTOM (L)		60	A-1081-710-C	WOOFER ASSY	
55	2-342-751-21	CUSHION (FOOT)		61	4-094-922-41	COVER, ECS (15V)	
56	2-179-940-11	NECK REAR		62	Δ 1-824-338-21	POWER-SUPPLY CORD FERRITE CORE	

SECTION 6 ELECTRICAL PARTS LIST

PARTS LISTING TABLE OF CONTENTS

	Page
N BOARD COMPLETE Parts List :	73
A2 BOARD COMMON Parts List :	79
NP1 BOARD COMMON Parts List :	91
H1 BOARD COMPLETE Parts List :	93
H3 BOARD COMPLETE Parts List :	93
H4 BOARD COMPLETE Parts List :	94
H5 BOARD COMPLETE Parts List :	94
GL3 BOARD COMPLETE Parts List :	94
H2 BOARD COMPLETE Parts List :	100
MISCELLANEOUS :	101
ACCESSORIES AND CONNECTORS :	101
REMOTE COMMANDER :	101

Note: The BL, K, P and RF Board Schematic Diagrams, Printed Wiring Boards and Parts Lists are not indicated in this manual as they are regarded as non service items for exchange only.

Note : Items marked “*” are not stocked since they are seldom required for routine service. Some delay should be anticipated when ordering these items.
Parts indicated (XX) on the Schematic Diagram are not used in this model and therefore do not appear in the Parts List.

REF.NO.	PART.NO	DESCRIPTION	REMARK	REF.NO.	PART.NO	DESCRIPTION	REMARK
*A-1124-569-B N Board, Complete							
	2-580-625-01	SCREW, +B M2X8		C3205	1-125-777-11	CERAMIC CHIP 0.1UF	10.00% 10V
				C3206	1-165-908-11	CERAMIC CHIP 1UF	10% 10V
				C3207	1-125-777-11	CERAMIC CHIP 0.1UF	10.00% 10V
A3300	*1-815-640-21	CONNECTOR, CARD (PCMCIA CARD)		C3208	1-125-777-11	CERAMIC CHIP 0.1UF	10.00% 10V
				C3209	1-125-777-11	CERAMIC CHIP 0.1UF	10.00% 10V
		< CAPACITOR >					
C3100	1-165-908-11	CERAMIC CHIP 1UF	10% 10V	C3210	1-125-777-11	CERAMIC CHIP 0.1UF	10.00% 10V
C3101	1-165-908-11	CERAMIC CHIP 1UF	10% 10V	C3211	1-117-720-11	CERAMIC CHIP 4.7UF	10V
C3102	1-117-720-11	CERAMIC CHIP 4.7UF	10V	C3212	1-126-206-11	ELECT CHIP 100UF	20.00% 6.3V
C3103	1-125-777-11	CERAMIC CHIP 0.1UF	10.00% 10V	C3213	1-164-846-11	CERAMIC CHIP 6PF	0.50PF 50V
C3104	1-125-777-11	CERAMIC CHIP 0.1UF	10.00% 10V	C3214	1-125-777-11	CERAMIC CHIP 0.1UF	10.00% 10V
C3105	1-125-777-11	CERAMIC CHIP 0.1UF	10.00% 10V	C3215	1-164-937-11	CERAMIC CHIP 0.001UF	10.00% 50V
C3106	1-125-777-11	CERAMIC CHIP 0.1UF	10.00% 10V	C3216	1-125-777-11	CERAMIC CHIP 0.1UF	10.00% 10V
C3107	1-125-777-11	CERAMIC CHIP 0.1UF	10.00% 10V	C3217	1-117-720-11	CERAMIC CHIP 4.7UF	10V
C3108	1-125-777-11	CERAMIC CHIP 0.1UF	10.00% 10V	C3218	1-125-777-11	CERAMIC CHIP 0.1UF	10.00% 10V
C3109	1-100-597-91	CERAMIC CHIP 0.1UF	10% 25V	C3219	1-125-777-11	CERAMIC CHIP 0.1UF	10.00% 10V
C3110	1-100-597-91	CERAMIC CHIP 0.1UF	10% 25V	C3220	1-125-777-11	CERAMIC CHIP 0.1UF	10.00% 10V
C3111	1-100-597-91	CERAMIC CHIP 0.1UF	10% 25V	C3230	1-164-937-11	CERAMIC CHIP 0.001UF	10.00% 50V
C3112	1-100-597-91	CERAMIC CHIP 0.1UF	10% 25V	C3300	1-117-720-11	CERAMIC CHIP 4.7UF	10V
C3113	1-100-597-91	CERAMIC CHIP 0.1UF	10% 25V	C3301	1-125-777-11	CERAMIC CHIP 0.1UF	10.00% 10V
C3114	1-100-597-91	CERAMIC CHIP 0.1UF	10% 25V	C3303	1-125-777-11	CERAMIC CHIP 0.1UF	10.00% 10V
C3115	1-100-597-91	CERAMIC CHIP 0.1UF	10% 25V	C3304	1-125-777-11	CERAMIC CHIP 0.1UF	10.00% 10V
C3116	1-100-597-91	CERAMIC CHIP 0.1UF	10% 25V	C3306	1-125-777-11	CERAMIC CHIP 0.1UF	10.00% 10V
C3117	1-100-597-91	CERAMIC CHIP 0.1UF	10% 25V	C3307	1-117-720-11	CERAMIC CHIP 4.7UF	10V
C3118	1-165-908-11	CERAMIC CHIP 1UF	10% 10V	C3308	1-125-777-11	CERAMIC CHIP 0.1UF	10.00% 10V
C3119	1-100-597-91	CERAMIC CHIP 0.1UF	10% 25V	C3309	1-125-777-11	CERAMIC CHIP 0.1UF	10.00% 10V
C3120	1-100-597-91	CERAMIC CHIP 0.1UF	10% 25V	C3310	1-125-777-11	CERAMIC CHIP 0.1UF	10.00% 10V
C3121	1-100-597-91	CERAMIC CHIP 0.1UF	10% 25V	C3311	1-125-777-11	CERAMIC CHIP 0.1UF	10.00% 10V
C3122	1-126-206-11	ELECT CHIP 100UF	20.00% 6.3V	C3312	1-125-777-11	CERAMIC CHIP 0.1UF	10.00% 10V
C3123	1-100-597-91	CERAMIC CHIP 0.1UF	10% 25V	C3313	1-125-777-11	CERAMIC CHIP 0.1UF	10.00% 10V
C3124	1-125-777-11	CERAMIC CHIP 0.1UF	10.00% 10V	C3314	1-125-777-11	CERAMIC CHIP 0.1UF	10.00% 10V
C3125	1-100-597-91	CERAMIC CHIP 0.1UF	10% 25V	C3315	1-125-777-11	CERAMIC CHIP 0.1UF	10.00% 10V
C3126	1-100-597-91	CERAMIC CHIP 0.1UF	10% 25V	C3316	1-125-777-11	CERAMIC CHIP 0.1UF	10.00% 10V
C3127	1-100-597-91	CERAMIC CHIP 0.1UF	10% 25V	C3317	1-125-777-11	CERAMIC CHIP 0.1UF	10.00% 10V
C3128	1-100-597-91	CERAMIC CHIP 0.1UF	10% 25V	C3318	1-125-777-11	CERAMIC CHIP 0.1UF	10.00% 10V
C3129	1-100-597-91	CERAMIC CHIP 0.1UF	10% 25V	C3320	1-117-720-11	CERAMIC CHIP 4.7UF	10V
C3130	1-100-597-91	CERAMIC CHIP 0.1UF	10% 25V	C3321	1-125-777-11	CERAMIC CHIP 0.1UF	10.00% 10V
C3131	1-100-597-91	CERAMIC CHIP 0.1UF	10% 25V	C3322	1-164-937-11	CERAMIC CHIP 0.001UF	10.00% 50V
C3132	1-164-850-11	CERAMIC CHIP 10PF	0.50PF 50V	C3323	1-125-777-11	CERAMIC CHIP 0.1UF	10.00% 10V
C3133	1-100-597-91	CERAMIC CHIP 0.1UF	10% 25V	C3324	1-125-777-11	CERAMIC CHIP 0.1UF	10.00% 10V
C3134	1-100-597-91	CERAMIC CHIP 0.1UF	10% 25V	C3400	1-125-777-11	CERAMIC CHIP 0.1UF	10.00% 10V
C3135	1-100-597-91	CERAMIC CHIP 0.1UF	10% 25V	C3401	1-125-777-11	CERAMIC CHIP 0.1UF	10.00% 10V
C3136	1-125-777-11	CERAMIC CHIP 0.1UF	10.00% 10V	C3402	1-165-908-11	CERAMIC CHIP 1UF	10% 10V
C3137	1-125-777-11	CERAMIC CHIP 0.1UF	10.00% 10V	C3403	1-100-597-91	CERAMIC CHIP 0.1UF	10% 25V
C3200	1-125-777-11	CERAMIC CHIP 0.1UF	10.00% 10V	C3404	1-100-611-91	CERAMIC CHIP 22UF	20% 6.3V
C3201	1-117-720-11	CERAMIC CHIP 4.7UF	10V	C3405	1-125-777-11	CERAMIC CHIP 0.1UF	10.00% 10V
C3202	1-125-777-11	CERAMIC CHIP 0.1UF	10.00% 10V	C3406	1-164-943-81	CERAMIC CHIP 0.01UF	10.00% 16V
C3203	1-125-777-11	CERAMIC CHIP 0.1UF	10.00% 10V	C3407	1-164-943-81	CERAMIC CHIP 0.01UF	10.00% 16V
C3204	1-164-846-11	CERAMIC CHIP 6PF	0.50PF 50V	C3408	1-124-779-00	ELECT CHIP 10UF	20.00% 16V
				C3409	1-125-777-11	CERAMIC CHIP 0.1UF	10.00% 10V
				C3410	1-124-779-00	ELECT CHIP 10UF	20.00% 16V

REF.NO.	PART.NO	DESCRIPTION	REMARK	REF.NO.	PART.NO	DESCRIPTION	REMARK
C3411	1-125-777-11	CERAMIC CHIP 0.1UF	10.00% 10V	C3513	1-126-206-11	ELECT CHIP 100UF	20.00% 6.3V
C3412	1-125-777-11	CERAMIC CHIP 0.1UF	10.00% 10V	C3514	1-125-777-11	CERAMIC CHIP 0.1UF	10.00% 10V
C3413	1-126-206-11	ELECT CHIP 100UF	20.00% 6.3V	C3520	1-125-777-11	CERAMIC CHIP 0.1UF	10.00% 10V
C3414	1-125-777-11	CERAMIC CHIP 0.1UF	10.00% 10V	C3521	1-125-777-11	CERAMIC CHIP 0.1UF	10.00% 10V
C3415	1-125-777-11	CERAMIC CHIP 0.1UF	10.00% 10V	C3522	1-125-777-11	CERAMIC CHIP 0.1UF	10.00% 10V
C3416	1-125-777-11	CERAMIC CHIP 0.1UF	10.00% 10V	C3523	1-125-777-11	CERAMIC CHIP 0.1UF	10.00% 10V
C3417	1-126-206-11	ELECT CHIP 100UF	20.00% 6.3V	C3524	1-164-937-11	CERAMIC CHIP 0.001UF	10.00% 50V
C3418	1-125-777-11	CERAMIC CHIP 0.1UF	10.00% 10V	C3525	1-164-937-11	CERAMIC CHIP 0.001UF	10.00% 50V
C3419	1-164-931-11	CERAMIC CHIP 100PF	10.00% 50V	C3526	1-164-858-11	CERAMIC CHIP 22PF	5.00% 50V
C3420	1-164-931-11	CERAMIC CHIP 100PF	10.00% 50V	C3527	1-164-872-11	CERAMIC CHIP 82PF	5.00% 50V
C3421	1-117-720-11	CERAMIC CHIP 4.7UF	10V	C3528	1-164-858-11	CERAMIC CHIP 22PF	5.00% 50V
C3422	1-117-720-11	CERAMIC CHIP 4.7UF	10V	C3529	1-164-872-11	CERAMIC CHIP 82PF	5.00% 50V
C3423	1-125-777-11	CERAMIC CHIP 0.1UF	10.00% 10V	C3530	1-164-937-11	CERAMIC CHIP 0.001UF	10.00% 50V
C3424	1-100-597-91	CERAMIC CHIP 0.1UF	10% 25V	C3531	1-164-937-11	CERAMIC CHIP 0.001UF	10.00% 50V
C3425	1-124-779-00	ELECT CHIP 10UF	20.00% 16V	C3532	1-164-931-11	CERAMIC CHIP 100PF	10.00% 50V
C3426	1-125-777-11	CERAMIC CHIP 0.1UF	10.00% 10V	C3533	1-164-943-81	CERAMIC CHIP 0.01UF	10.00% 16V
C3427	1-125-777-11	CERAMIC CHIP 0.1UF	10.00% 10V	C3534	1-164-943-81	CERAMIC CHIP 0.01UF	10.00% 16V
C3428	1-125-777-11	CERAMIC CHIP 0.1UF	10.00% 10V	C3535	1-164-943-81	CERAMIC CHIP 0.01UF	10.00% 16V
C3429	1-126-206-11	ELECT CHIP 100UF	20.00% 6.3V	C3536	1-164-943-81	CERAMIC CHIP 0.01UF	10.00% 16V
C3430	1-125-777-11	CERAMIC CHIP 0.1UF	10.00% 10V	C3537	1-164-943-81	CERAMIC CHIP 0.01UF	10.00% 16V
C3431	1-125-777-11	CERAMIC CHIP 0.1UF	10.00% 10V	C3538	1-164-943-81	CERAMIC CHIP 0.01UF	10.00% 16V
C3432	1-125-777-11	CERAMIC CHIP 0.1UF	10.00% 10V	C3539	1-125-777-11	CERAMIC CHIP 0.1UF	10.00% 10V
C3433	1-126-206-11	ELECT CHIP 100UF	20.00% 6.3V	C3540	1-125-777-11	CERAMIC CHIP 0.1UF	10.00% 10V
C3434	1-125-777-11	CERAMIC CHIP 0.1UF	10.00% 10V	C3541	1-164-943-81	CERAMIC CHIP 0.01UF	10.00% 16V
C3435	1-165-319-11	CERAMIC CHIP 0.1UF	50V	C3542	1-125-777-11	CERAMIC CHIP 0.1UF	10.00% 10V
C3436	1-125-777-11	CERAMIC CHIP 0.1UF	10.00% 10V	C3543	1-164-943-81	CERAMIC CHIP 0.01UF	10.00% 16V
C3437	1-165-319-11	CERAMIC CHIP 0.1UF	50V	C3544	1-164-943-81	CERAMIC CHIP 0.01UF	10.00% 16V
C3438	1-126-206-11	ELECT CHIP 100UF	20.00% 6.3V	C3545	1-164-943-81	CERAMIC CHIP 0.01UF	10.00% 16V
C3439	1-126-206-11	ELECT CHIP 100UF	20.00% 6.3V	C3546	1-164-943-81	CERAMIC CHIP 0.01UF	10.00% 16V
C3440	1-117-720-11	CERAMIC CHIP 4.7UF	10V	C3547	1-164-943-81	CERAMIC CHIP 0.01UF	10.00% 16V
C3441	1-100-597-91	CERAMIC CHIP 0.1UF	10% 25V	C3548	1-164-943-81	CERAMIC CHIP 0.01UF	10.00% 16V
C3442	1-164-850-11	CERAMIC CHIP 10PF	0.50PF 50V	C3549	1-164-943-81	CERAMIC CHIP 0.01UF	10.00% 16V
C3443	1-100-597-91	CERAMIC CHIP 0.1UF	10% 25V	C3550	1-164-943-81	CERAMIC CHIP 0.01UF	10.00% 16V
C3444	1-100-597-91	CERAMIC CHIP 0.1UF	10% 25V	C3551	1-164-943-81	CERAMIC CHIP 0.01UF	10.00% 16V
C3445	1-125-777-11	CERAMIC CHIP 0.1UF	10.00% 10V	C3552	1-164-860-11	CERAMIC CHIP 27PF	5.00% 50V
C3446	1-125-777-11	CERAMIC CHIP 0.1UF	10.00% 10V	C3553	1-164-860-11	CERAMIC CHIP 27PF	5.00% 50V
C3447	1-125-777-11	CERAMIC CHIP 0.1UF	10.00% 10V	C3557	1-162-974-11	CERAMIC CHIP 0.01UF	50V
C3448	1-164-850-11	CERAMIC CHIP 10PF	0.50PF 50V	C3558	1-164-943-81	CERAMIC CHIP 0.01UF	10.00% 16V
C3449	1-164-850-11	CERAMIC CHIP 10PF	0.50PF 50V	C3559	1-164-943-81	CERAMIC CHIP 0.01UF	10.00% 16V
C3450	1-164-850-11	CERAMIC CHIP 10PF	0.50PF 50V	C3560	1-162-974-11	CERAMIC CHIP 0.01UF	50V
C3451	1-100-611-91	CERAMIC CHIP 22UF	20% 6.3V	C3561	1-128-405-11	ELECT CHIP 22UF	20% 50V
C3452	1-100-611-91	CERAMIC CHIP 22UF	20% 6.3V	C3562	1-125-777-11	CERAMIC CHIP 0.1UF	10.00% 10V
C3453	1-100-611-91	CERAMIC CHIP 22UF	20% 6.3V	C3563	1-125-777-11	CERAMIC CHIP 0.1UF	10.00% 10V
C3454	1-100-591-91	CERAMIC CHIP 1UF	10% 25V	C3564	1-126-206-11	ELECT CHIP 100UF	20.00% 6.3V
C3500	1-125-777-11	CERAMIC CHIP 0.1UF	10.00% 10V	C3565	1-164-858-11	CERAMIC CHIP 22PF	5.00% 50V
C3501	1-117-720-11	CERAMIC CHIP 4.7UF	10V	C3566	1-164-858-11	CERAMIC CHIP 22PF	5.00% 50V
C3502	1-125-777-11	CERAMIC CHIP 0.1UF	10.00% 10V	C3567	1-126-206-11	ELECT CHIP 100UF	20.00% 6.3V
C3505	1-128-405-11	ELECT CHIP 22UF	20% 50V	C3568	1-125-777-11	CERAMIC CHIP 0.1UF	10.00% 10V
C3506	1-125-777-11	CERAMIC CHIP 0.1UF	10.00% 10V	C3800	1-125-777-11	CERAMIC CHIP 0.1UF	10.00% 10V
C3507	1-125-777-11	CERAMIC CHIP 0.1UF	10.00% 10V	C3801	1-125-777-11	CERAMIC CHIP 0.1UF	10.00% 10V

REF.NO.	PART.NO	DESCRIPTION	REMARK	REF.NO.	PART.NO	DESCRIPTION	REMARK
C3802	1-124-779-00	ELECT CHIP 10UF	20.00% 16V	FB3402	1-400-244-11	FERRITE	OUI
C3804	1-125-777-11	CERAMIC CHIP 0.1UF	10.00% 10V	FB3403	1-469-458-91	FERRITE	OUI
C3805	1-125-777-11	CERAMIC CHIP 0.1UF	10.00% 10V	FB3404	1-469-869-21	FERRITE	OUI
C3806	1-125-777-11	CERAMIC CHIP 0.1UF	10.00% 10V	FB3405	1-469-869-21	FERRITE	OUI
C3807	1-125-777-11	CERAMIC CHIP 0.1UF	10.00% 10V	FB3406	1-469-869-21	FERRITE	OUI
C3808	1-125-777-11	CERAMIC CHIP 0.1UF	10.00% 10V	FB3409	1-469-869-21	FERRITE	OUI
C3809	1-125-777-11	CERAMIC CHIP 0.1UF	10.00% 10V	FB3410	1-400-244-11	FERRITE	OUI
C3810	1-125-777-11	CERAMIC CHIP 0.1UF	10.00% 10V	FB3500	1-469-869-21	FERRITE	OUI
C3811	1-164-935-11	CERAMIC CHIP 470PF	10.00% 50V	FB3501	1-469-458-91	FERRITE	OUI
C3812	1-125-777-11	CERAMIC CHIP 0.1UF	10.00% 10V	FB3502	1-469-458-91	FERRITE	OUI
C3813	1-125-777-11	CERAMIC CHIP 0.1UF	10.00% 10V	FB3503	1-400-244-11	FERRITE	OUI
C3814	1-125-777-11	CERAMIC CHIP 0.1UF	10.00% 10V	FB3504	1-400-244-11	FERRITE	OUI
C3816	1-164-943-81	CERAMIC CHIP 0.01UF	10.00% 16V	FB3506	1-400-244-11	FERRITE	OUI
C3817	1-125-777-11	CERAMIC CHIP 0.1UF	10.00% 10V	FB3508	1-400-244-11	FERRITE	OUI
C3818	1-125-777-11	CERAMIC CHIP 0.1UF	10.00% 10V	FB3509	1-414-772-11	FERRITE	OUI
< CONNECTOR >				FB3510	1-400-244-11	FERRITE	OUI
CN3300	*1-815-641-11	CONNECTOR, CARD (PCMCIA CARD)		FB3511	1-469-869-21	FERRITE	OUI
CN3400	1-691-550-91	PIN, CONNECTOR 3P		FB3512	1-469-869-21	FERRITE	OUI
CN3401	1-794-519-21	PIN, CONNECTOR (PC BOARD) 14P		FB3513	1-469-869-21	FERRITE	OUI
CN3402	*1-695-207-21	PIN, AONNECTOR (PC BOARD) 6P		FB3514	1-400-244-11	FERRITE	OUI
CN3403	*1-695-890-21	PIN, CONNECTOR (PC BOARD) 12P		FB3515	1-400-244-11	FERRITE	OUI
CN3500	1-784-024-21	JACK 10P		FB3516	1-400-244-11	FERRITE	OUI
< DIODE >				FB3517	1-400-244-11	FERRITE	OUI
D3400	8-719-058-24	DIODE RB501V-40TE-17		FB3518	1-400-244-11	FERRITE	OUI
D3401	8-719-070-20	DIODE RB706F-40		FB3519	1-400-244-11	FERRITE	OUI
D3402	8-719-070-20	DIODE RB706F-40		FB3520	1-400-244-11	FERRITE	OUI
D3500	6-501-233-01	DIODE BZA862AVL		FB3521	1-469-869-21	FERRITE	OUI
D3501	6-501-233-01	DIODE BZA862AVL		FB3523	1-400-244-11	FERRITE	OUI
D3502	6-501-233-01	DIODE BZA862AVL		FB3800	1-400-244-11	FERRITE	OUI
D3504	8-719-058-24	DIODE RB501V-40TE-17		FB3801	1-400-244-11	FERRITE	OUI
D3505	8-719-083-87	DIODE UDZS-TE17-33B		FB3802	1-400-244-11	FERRITE	OUI
D3506	8-719-058-24	DIODE RB501V-40TE-17		FB3803	1-400-244-11	FERRITE	OUI
D3800	8-719-066-11	DIODE 1PS184-115		FB3804	1-400-244-11	FERRITE	OUI
< FERRITE BEAD >				< FILTER >			
FB3100	1-469-869-21	FERRITE	OUI	FL3500	1-239-899-21	FERRITE	OUI
FB3101	1-469-869-21	FERRITE	OUI	FL3501	1-239-899-21	FERRITE	OUI
FB3102	1-469-869-21	FERRITE	OUI	< IC >			
FB3103	1-400-859-41	INDUCTOR	0.82UH	IC3100	6-702-498-21	IC UPD61120AF1-100-JN1-A	
FB3104	1-469-869-21	FERRITE	OUI	IC3200	6-707-809-01	IC EDD1216AATA-6B-E	
FB3105	1-400-244-11	FERRITE	OUI	IC3201	6-705-271-01	IC KA5SDKASO1TSL	
FB3106	1-400-244-11	FERRITE	OUI	IC3206	6-704-621-01	IC TC58DVM72A1TG00	
FB3200	1-400-244-11	FERRITE	OUI	IC3301	8-759-644-48	IC 74LVC541APW	
FB3202	1-400-244-11	FERRITE	OUI	IC3302	8-759-644-48	IC 74LVC541APW	
FB3300	1-469-869-21	FERRITE	OUI	IC3303	8-759-564-22	IC 74LVC00-PW	
FB3301	1-469-869-21	FERRITE	OUI	IC3304	8-759-644-48	IC 74LVC541APW	
FB3400	1-400-244-11	FERRITE	OUI	IC3305	8-759-644-48	IC 74LVC541APW	
FB3401	1-400-244-11	FERRITE	OUI	IC3306	8-759-644-48	IC 74LVC541APW	

REF.NO.	PART.NO	DESCRIPTION	REMARK	REF.NO.	PART.NO	DESCRIPTION	REMARK
IC3307	8-759-298-91	IC 74LVT245PW-T		Q3412	6-550-232-01	TRANSISTOR 2SA2029T2LQ/R	
IC3308	8-759-644-48	IC 74LVC541APW		Q3500	8-729-027-43	TRANSISTOR DTC114EKA-T146	
IC3309	8-759-644-48	IC 74LVC541APW		Q3800	8-729-027-43	TRANSISTOR DTC114EKA-T146	
IC3310	8-759-644-48	IC 74LVC541APW		Q3801	8-729-027-43	TRANSISTOR DTC114EKA-T146	
IC3311	8-759-298-90	IC 74LVT245PW		Q3804	8-729-027-43	TRANSISTOR DTC114EKA-T146	
IC3311	8-759-298-91	IC 74LVT245PW-T		Q3805	8-729-027-43	TRANSISTOR DTC114EKA-T146	
IC3312	8-759-644-48	IC 74LVC541APW		Q3806	6-550-237-01	TRANSISTOR 2SC5658T2LQ/R	
IC3313	8-759-644-48	IC 74LVC541APW		Q3808	6-550-232-01	TRANSISTOR 2SA2029T2LQ/R	
IC3314	8-759-644-48	IC 74LVC541APW					
IC3315	8-759-564-09	IC 74LVC32A-PW				< RESISTOR >	
IC3316	6-708-132-01	IC 74LVC14APW		R3100	1-218-937-11	RES-CHIP 47 5% 1/16W	
IC3400	6-707-808-01	IC WM8727GED/RV		R3101	1-218-941-81	RES-CHIP 100 5% 1/16W	
IC3401	8-759-701-40	IC NJM3404AM-T1		R3102	1-218-937-11	RES-CHIP 47 5% 1/16W	
IC3402	6-705-789-01	IC LM3526MX-H/J5000396		R3103	1-218-937-11	RES-CHIP 47 5% 1/16W	
IC3403	6-705-403-01	IC PQ070XZ01ZPH		R3104	1-218-937-11	RES-CHIP 47 5% 1/16W	
IC3404	6-705-403-01	IC PQ070XZ01ZPH		R3105	1-218-937-11	RES-CHIP 47 5% 1/16W	
IC3405	6-703-271-01	IC TAR5S50 (TE85R)		R3106	1-218-937-11	RES-CHIP 47 5% 1/16W	
IC3501	8-759-644-48	IC 74LVC541APW		R3107	1-218-937-11	RES-CHIP 47 5% 1/16W	
IC3504	8-753-212-44	IC CXD1976R-T6		R3108	1-218-937-11	RES-CHIP 47 5% 1/16W	
IC3800	6-703-175-01	IC PST3629UL		R3109	1-218-941-81	RES-CHIP 100 5% 1/16W	
IC3801	8-759-670-18	IC 74LVC273PW		R3110	1-218-937-11	RES-CHIP 47 5% 1/16W	
IC3802	8-759-670-18	IC 74LVC273PW		R3111	1-218-937-11	RES-CHIP 47 5% 1/16W	
IC3803	6-706-487-01	IC TC7SH08FU (T5RSOYJF)		R3112	1-218-937-11	RES-CHIP 47 5% 1/16W	
IC3804	8-759-564-09	IC 74LVC32A-PW		R3113	1-218-937-11	RES-CHIP 47 5% 1/16W	
IC3805	8-759-564-91	IC 74LVC08APW		R3114	1-218-937-11	RES-CHIP 47 5% 1/16W	
IC3806	6-706-487-01	IC TC7SH08FU (T5RSOYJF)		R3115	1-218-941-81	RES-CHIP 100 5% 1/16W	
IC3807	6-704-067-01	IC M24128-BWMN6T (A)		R3116	1-218-937-11	RES-CHIP 47 5% 1/16W	
		< COIL >		R3117	1-218-937-11	RES-CHIP 47 5% 1/16W	
L3500	1-412-006-31	INDUCTOR 10UH		R3118	1-218-937-11	RES-CHIP 47 5% 1/16W	
L3501	1-469-842-21	INDUCTOR 0.47UH		R3120	1-218-937-11	RES-CHIP 47 5% 1/16W	
L3502	1-410-981-42	INDUCTOR 0.1UH		R3121	1-218-937-11	RES-CHIP 47 5% 1/16W	
L3503	1-410-981-42	INDUCTOR 0.1UH		R3122	1-218-937-11	RES-CHIP 47 5% 1/16W	
L3504	1-410-981-42	INDUCTOR 0.1UH		R3123	1-218-937-11	RES-CHIP 47 5% 1/16W	
L3505	1-412-006-31	INDUCTOR 10UH		R3124	1-218-961-11	RES-CHIP 4.7K 5% 1/16W	
		< TRANSISTOR >		R3125	1-218-961-11	RES-CHIP 4.7K 5% 1/16W	
Q3400	6-550-237-01	TRANSISTOR 2SC5658T2LQ/R		R3126	1-218-937-11	RES-CHIP 47 5% 1/16W	
Q3401	6-550-232-01	TRANSISTOR 2SA2029T2LQ/R		R3127	1-218-937-11	RES-CHIP 47 5% 1/16W	
Q3402	6-550-237-01	TRANSISTOR 2SC5658T2LQ/R		R3129	1-218-941-81	RES-CHIP 100 5% 1/16W	
Q3403	6-550-237-01	TRANSISTOR 2SC5658T2LQ/R		R3130	1-218-941-81	RES-CHIP 100 5% 1/16W	
Q3404	6-550-237-01	TRANSISTOR 2SC5658T2LQ/R		R3131	1-218-937-11	RES-CHIP 47 5% 1/16W	
Q3405	6-550-237-01	TRANSISTOR 2SC5658T2LQ/R		R3132	1-218-937-11	RES-CHIP 47 5% 1/16W	
Q3406	6-550-237-01	TRANSISTOR 2SC5658T2LQ/R		R3133	1-218-937-11	RES-CHIP 47 5% 1/16W	
Q3407	6-550-237-01	TRANSISTOR 2SC5658T2LQ/R		R3135	1-218-937-11	RES-CHIP 47 5% 1/16W	
Q3408	6-550-237-01	TRANSISTOR 2SC5658T2LQ/R		R3136	1-218-937-11	RES-CHIP 47 5% 1/16W	
Q3409	6-550-237-01	TRANSISTOR 2SC5658T2LQ/R		R3137	1-218-937-11	RES-CHIP 47 5% 1/16W	
Q3410	6-550-232-01	TRANSISTOR 2SA2029T2LQ/R		R3141	1-218-937-11	RES-CHIP 47 5% 1/16W	
Q3411	6-550-232-01	TRANSISTOR 2SA2029T2LQ/R		R3145	1-218-937-11	RES-CHIP 47 5% 1/16W	
				R3147	1-218-937-11	RES-CHIP 47 5% 1/16W	
				R3148	1-218-937-11	RES-CHIP 47 5% 1/16W	
				R3149	1-218-937-11	RES-CHIP 47 5% 1/16W	

REF.NO.	PART.NO	DESCRIPTION	REMARK	REF.NO.	PART.NO	DESCRIPTION	REMARK
R3152	1-218-937-11	RES-CHIP	47 5% 1/16W	R3415	1-208-675-11	METAL CHIP	470 0.5% 1/16W
R3156	1-218-937-11	RES-CHIP	47 5% 1/16W	R3416	1-208-673-11	METAL CHIP	390 0.5% 1/16W
R3160	1-218-937-11	RES-CHIP	47 5% 1/16W	R3417	1-218-937-11	RES-CHIP	47 5% 1/16W
R3200	1-218-941-11	RES-CHIP	100 5% 1/16W	R3418	1-218-941-11	RES-CHIP	100 5% 1/16W
R3201	1-218-941-11	RES-CHIP	100 5% 1/16W	R3419	1-218-941-11	RES-CHIP	100 5% 1/16W
R3202	1-218-939-11	RES-CHIP	68 5% 1/16W	R3420	1-208-683-11	METAL CHIP	1K 0.5% 1/16W
R3203	1-218-941-81	RES-CHIP	100 5% 1/16W	R3421	1-208-683-11	METAL CHIP	1K 0.5% 1/16W
R3204	1-218-941-81	RES-CHIP	100 5% 1/16W	R3422	1-218-945-11	RES-CHIP	220 5% 1/16W
R3205	1-218-937-11	RES-CHIP	47 5% 1/16W	R3424	1-218-949-11	RES-CHIP	470 5% 1/16W
R3206	1-218-953-11	RES-CHIP	1K 5% 1/16W	R3425	1-218-949-11	RES-CHIP	470 5% 1/16W
R3211	1-218-957-11	RES-CHIP	2.2K 5% 1/16W	R3426	1-218-949-11	RES-CHIP	470 5% 1/16W
R3212	1-218-957-11	RES-CHIP	2.2K 5% 1/16W	R3427	1-218-953-11	RES-CHIP	1K 5% 1/16W
R3213	1-218-957-11	RES-CHIP	2.2K 5% 1/16W	R3428	1-218-937-11	RES-CHIP	47 5% 1/16W
R3214	1-218-957-11	RES-CHIP	2.2K 5% 1/16W	R3429	1-218-937-11	RES-CHIP	47 5% 1/16W
R3216	1-218-953-11	RES-CHIP	1K 5% 1/16W	R3430	1-218-937-11	RES-CHIP	47 5% 1/16W
R3218	1-218-953-11	RES-CHIP	1K 5% 1/16W	R3432	1-218-953-11	RES-CHIP	1K 5% 1/16W
R3220	1-218-957-11	RES-CHIP	2.2K 5% 1/16W	R3433	1-218-953-11	RES-CHIP	1K 5% 1/16W
R3222	1-218-953-11	RES-CHIP	1K 5% 1/16W	R3434	1-218-949-11	RES-CHIP	470 5% 1/16W
R3224	1-218-953-11	RES-CHIP	1K 5% 1/16W	R3435	1-218-948-11	RES-CHIP	390 5% 1/16W
R3227	1-218-953-11	RES-CHIP	1K 5% 1/16W	R3436	1-218-937-11	RES-CHIP	47 5% 1/16W
R3229	1-218-953-11	RES-CHIP	1K 5% 1/16W	R3437	1-218-966-11	RES-CHIP	12K 5% 1/16W
R3230	1-218-953-11	RES-CHIP	1K 5% 1/16W	R3438	1-218-967-11	RES-CHIP	15K 5% 1/16W
R3232	1-218-953-11	RES-CHIP	1K 5% 1/16W	R3439	1-218-966-11	RES-CHIP	12K 5% 1/16W
R3234	1-218-953-11	RES-CHIP	1K 5% 1/16W	R3440	1-218-967-11	RES-CHIP	15K 5% 1/16W
R3236	1-218-953-11	RES-CHIP	1K 5% 1/16W	R3441	1-218-966-11	RES-CHIP	12K 5% 1/16W
R3238	1-218-953-11	RES-CHIP	1K 5% 1/16W	R3442	1-218-967-11	RES-CHIP	15K 5% 1/16W
R3240	1-218-939-11	RES-CHIP	68 5% 1/16W	R3443	1-218-949-11	RES-CHIP	470 5% 1/16W
R3241	1-218-941-81	RES-CHIP	100 5% 1/16W	R3444	1-208-683-11	METAL CHIP	1K 0.5% 1/16W
R3251	1-218-949-11	RES-CHIP	470 5% 1/16W	R3445	1-208-683-11	METAL CHIP	1K 0.5% 1/16W
R3262	1-218-953-11	RES-CHIP	1K 5% 1/16W	R3446	1-218-972-11	RES-CHIP	39K 5% 1/16W
R3303	1-218-953-11	RES-CHIP	1K 5% 1/16W	R3447	1-218-972-11	RES-CHIP	39K 5% 1/16W
R3306	1-218-941-81	RES-CHIP	100 5% 1/16W	R3449	1-218-968-11	RES-CHIP	18K 5% 1/16W
R3308	1-218-941-81	RES-CHIP	100 5% 1/16W	R3451	1-218-968-11	RES-CHIP	18K 5% 1/16W
R3317	1-218-961-11	RES-CHIP	4.7K 5% 1/16W	R3452	1-218-967-11	RES-CHIP	15K 5% 1/16W
R3321	1-218-941-81	RES-CHIP	100 5% 1/16W	R3453	1-218-967-11	RES-CHIP	15K 5% 1/16W
R3324	1-218-941-81	RES-CHIP	100 5% 1/16W	R3454	1-208-675-11	METAL CHIP	470 0.5% 1/16W
R3325	1-218-937-11	RES-CHIP	47 5% 1/16W	R3455	1-208-885-11	METAL CHIP	820 0.5% 1/16W
R3400	1-218-990-81	SHORT CHIP	0	R3456	1-218-949-11	RES-CHIP	470 5% 1/16W
R3401	1-218-990-81	SHORT CHIP	0	R3457	1-208-675-11	METAL CHIP	470 0.5% 1/16W
R3402	1-218-990-81	SHORT CHIP	0	R3458	1-208-885-11	METAL CHIP	820 0.5% 1/16W
R3404	1-218-937-11	RES-CHIP	47 5% 1/16W	R3459	1-218-949-11	RES-CHIP	470 5% 1/16W
R3405	1-218-937-11	RES-CHIP	47 5% 1/16W	R3460	1-208-675-11	METAL CHIP	470 0.5% 1/16W
R3406	1-218-990-81	SHORT CHIP	0	R3461	1-208-885-11	METAL CHIP	820 0.5% 1/16W
R3408	1-218-966-11	RES-CHIP	12K 5% 1/16W	R3462	1-218-990-81	SHORT CHIP	0
R3409	1-218-967-11	RES-CHIP	15K 5% 1/16W	R3465	1-218-948-11	RES-CHIP	390 5% 1/16W
R3410	1-218-949-11	RES-CHIP	470 5% 1/16W	R3466	1-218-948-11	RES-CHIP	390 5% 1/16W
R3411	1-208-675-11	METAL CHIP	470 0.5% 1/16W	R3467	1-218-948-11	RES-CHIP	390 5% 1/16W
R3412	1-208-885-11	METAL CHIP	820 0.5% 1/16W	R3468	1-218-945-11	RES-CHIP	220 5% 1/16W
R3413	1-218-990-81	SHORT CHIP	0	R3469	1-218-945-11	RES-CHIP	220 5% 1/16W
R3414	1-218-937-11	RES-CHIP	47 5% 1/16W	R3470	1-218-945-11	RES-CHIP	220 5% 1/16W

REF.NO.	PART.NO	DESCRIPTION	REMARK	REF.NO.	PART.NO	DESCRIPTION	REMARK
R3471	1-218-941-81	RES-CHIP	100 5% 1/16W	R3642	1-218-941-81	RES-CHIP	100 5% 1/16W
R3472	1-218-966-11	RES-CHIP	12K 5% 1/16W	R3801	1-218-953-11	RES-CHIP	1K 5% 1/16W
R3473	1-218-966-11	RES-CHIP	12K 5% 1/16W	R3802	1-218-941-81	RES-CHIP	100 5% 1/16W
R3474	1-216-864-11	SHORT CHIP	0	R3803	1-218-941-81	RES-CHIP	100 5% 1/16W
R3475	1-216-864-11	SHORT CHIP	0	R3804	1-218-957-11	RES-CHIP	2.2K 5% 1/16W
R3480	1-218-941-81	RES-CHIP	100 5% 1/16W	R3806	1-218-941-81	RES-CHIP	100 5% 1/16W
R3481	1-218-941-81	RES-CHIP	100 5% 1/16W	R3809	1-218-941-81	RES-CHIP	100 5% 1/16W
R3484	1-216-001-00	RES-CHIP	10 5% 1/10W	R3810	1-218-941-81	RES-CHIP	100 5% 1/16W
R3500	1-218-953-11	RES-CHIP	1K 5% 1/16W	R3814	1-218-941-81	RES-CHIP	100 5% 1/16W
R3501	1-218-961-11	RES-CHIP	4.7K 5% 1/16W	R3815	1-218-941-81	RES-CHIP	100 5% 1/16W
R3502	1-218-961-11	RES-CHIP	4.7K 5% 1/16W	R3816	1-218-941-81	RES-CHIP	100 5% 1/16W
R3505	1-218-953-11	RES-CHIP	1K 5% 1/16W	R3817	1-218-941-81	RES-CHIP	100 5% 1/16W
R3506	1-218-941-81	RES-CHIP	100 5% 1/16W	R3819	1-218-941-81	RES-CHIP	100 5% 1/16W
R3507	1-218-941-81	RES-CHIP	100 5% 1/16W	R3820	1-218-941-81	RES-CHIP	100 5% 1/16W
R3508	1-216-295-91	SHORT CHIP	0	R3821	1-218-941-81	RES-CHIP	100 5% 1/16W
R3511	1-216-295-91	SHORT CHIP	0	R3826	1-218-941-81	RES-CHIP	100 5% 1/16W
R3512	1-216-295-91	SHORT CHIP	0	R3827	1-218-953-11	RES-CHIP	1K 5% 1/16W
R3514	1-218-957-11	RES-CHIP	2.2K 5% 1/16W	R3828	1-218-941-81	RES-CHIP	100 5% 1/16W
R3517	1-218-937-11	RES-CHIP	47 5% 1/16W	R3830	1-218-941-81	RES-CHIP	100 5% 1/16W
R3518	1-218-937-11	RES-CHIP	47 5% 1/16W	R3831	1-218-941-81	RES-CHIP	100 5% 1/16W
R3538	1-216-295-91	SHORT CHIP	0	R3832	1-218-990-81	SHORT CHIP	0
R3543	1-218-957-11	RES-CHIP	2.2K 5% 1/16W	R3835	1-218-941-81	RES-CHIP	100 5% 1/16W
R3545	1-218-957-11	RES-CHIP	2.2K 5% 1/16W	R3839	1-218-953-11	RES-CHIP	1K 5% 1/16W
R3546	1-218-941-81	RES-CHIP	100 5% 1/16W	R3842	1-218-941-81	RES-CHIP	100 5% 1/16W
R3547	1-218-941-81	RES-CHIP	100 5% 1/16W	R3843	1-218-941-81	RES-CHIP	100 5% 1/16W
R3550	1-208-927-11	METAL CHIP	47K 0.5% 1/16W	R3844	1-218-941-81	RES-CHIP	100 5% 1/16W
R3553	1-218-941-81	RES-CHIP	100 5% 1/16W	R3846	1-218-949-11	RES-CHIP	470 5% 1/16W
R3558	1-208-687-11	METAL CHIP	1.5K 0.5% 1/16W	R3849	1-218-941-81	RES-CHIP	100 5% 1/16W
R3559	1-208-927-11	METAL CHIP	47K 0.5% 1/16W	R3850	1-218-953-11	RES-CHIP	1K 5% 1/16W
R3560	1-218-937-11	RES-CHIP	47 5% 1/16W	R3852	1-218-941-81	RES-CHIP	100 5% 1/16W
R3561	1-218-941-81	RES-CHIP	100 5% 1/16W	R3853	1-218-941-81	RES-CHIP	100 5% 1/16W
R3562	1-218-941-81	RES-CHIP	100 5% 1/16W	R3854	1-218-941-81	RES-CHIP	100 5% 1/16W
R3563	1-218-941-81	RES-CHIP	100 5% 1/16W	R3855	1-218-941-81	RES-CHIP	100 5% 1/16W
R3564	1-218-941-81	RES-CHIP	100 5% 1/16W	R3856	1-218-941-81	RES-CHIP	100 5% 1/16W
R3565	1-218-941-81	RES-CHIP	100 5% 1/16W	R3857	1-218-941-81	RES-CHIP	100 5% 1/16W
R3566	1-218-989-11	RES-CHIP	1M 5% 1/16W	R3858	1-218-941-81	RES-CHIP	100 5% 1/16W
R3567	1-218-941-81	RES-CHIP	100 5% 1/16W	R3859	1-218-941-81	RES-CHIP	100 5% 1/16W
R3580	1-216-041-00	RES-CHIP	470 5% 1/10W	R3860	1-218-941-81	RES-CHIP	100 5% 1/16W
R3601	1-218-953-11	RES-CHIP	1K 5% 1/16W	R3861	1-218-961-11	RES-CHIP	4.7K 5% 1/16W
R3602	1-218-941-81	RES-CHIP	100 5% 1/16W	R3862	1-218-941-81	RES-CHIP	100 5% 1/16W
R3603	1-218-941-81	RES-CHIP	100 5% 1/16W	< RESISTOR CHIP >			
R3609	1-218-941-81	RES-CHIP	100 5% 1/16W	RB3100	1-234-370-21	RES, NETWORK 22	(1005X4)
R3613	1-218-941-81	RES-CHIP	100 5% 1/16W	RB3101	1-234-370-21	RES, NETWORK 22	(1005X4)
R3620	1-218-941-81	RES-CHIP	100 5% 1/16W	RB3102	1-234-370-21	RES, NETWORK 22	(1005X4)
R3621	1-218-941-81	RES-CHIP	100 5% 1/16W	RB3103	1-234-370-21	RES, NETWORK 22	(1005X4)
R3637	1-218-948-11	RES-CHIP	390 5% 1/16W	RB3104	1-234-370-21	RES, NETWORK 22	(1005X4)
R3638	1-218-948-11	RES-CHIP	390 5% 1/16W	RB3105	1-234-370-21	RES, NETWORK 22	(1005X4)
R3639	1-218-948-11	RES-CHIP	390 5% 1/16W	RB3106	1-234-370-21	RES, NETWORK 22	(1005X4)
R3640	1-218-948-11	RES-CHIP	390 5% 1/16W	RB3107	1-234-370-21	RES, NETWORK 22	(1005X4)
R3641	1-218-948-11	RES-CHIP	390 5% 1/16W				

REF.NO.	PART.NO	DESCRIPTION	REMARK	REF.NO.	PART.NO	DESCRIPTION	REMARK
RB3108	1-234-370-21	RES, NETWORK 22	(1005X4)	C4025	1-162-969-11	CERAMIC CHIP 0.0068UF	10.00% 25V
RB3109	1-234-370-21	RES, NETWORK 22	(1005X4)	C4026	1-162-969-11	CERAMIC CHIP 0.0068UF	10.00% 25V
RB3110	1-234-370-21	RES, NETWORK 22	(1005X4)	C4028	1-107-826-11	CERAMIC CHIP 0.1UF	10.00% 16V
RB3200	1-234-372-21	RES, NETWORK 100	(1005X4)	C4029	1-100-566-91	CERAMIC CHIP 0.1UF	10.00% 25V
RB3201	1-234-372-21	RES, NETWORK 100	(1005X4)	C4030	1-100-566-91	CERAMIC CHIP 0.1UF	10.00% 25V
RB3202	1-234-372-21	RES, NETWORK 100	(1005X4)	C4031	1-127-820-11	CERAMIC CHIP 4.7UF	10% 16V
RB3203	1-234-702-11	RES, NETWORK 68	(1005X4)	C4032	1-107-826-11	CERAMIC CHIP 0.1UF	10.00% 16V
RB3204	1-234-702-11	RES, NETWORK 68	(1005X4)	C4033	1-162-970-11	CERAMIC CHIP 0.01UF	10.00% 25V
RB3206	1-234-372-21	RES, NETWORK 100	(1005X4)	C4034	1-135-960-91	CERAMIC CHIP 10UF	10% 25V
RB3207	1-234-372-21	RES, NETWORK 100	(1005X4)	C4035	1-135-372-31	ELECT 470UF	20% 10V
RB3208	1-234-702-11	RES, NETWORK 68	(1005X4)	C4037	1-135-960-91	CERAMIC CHIP 10UF	10% 25V
RB3209	1-234-702-11	RES, NETWORK 68	(1005X4)	C4038	1-135-960-91	CERAMIC CHIP 10UF	10% 25V
RB3500	1-234-371-21	RES, NETWORK 47	(1005X4)	C4039	1-128-359-11	ELECT CHIP 100UF	20.00% 10V
RB3501	1-234-371-21	RES, NETWORK 47	(1005X4)	C4040	1-128-359-11	ELECT CHIP 100UF	20.00% 10V
< TUNER >				C4041	1-107-826-11	CERAMIC CHIP 0.1UF	10.00% 16V
TU3500	8-597-997-00	TUNER, FSS BTP-DC4122		C4042	1-107-826-11	CERAMIC CHIP 0.1UF	10.00% 16V
< CRYSTAL >				C4043	1-128-360-11	ELECT CHIP 220UF	20.00% 10V
X3200	1-813-055-11	QUARTZ CRYSTAL UNIT		C4044	1-128-360-11	ELECT CHIP 220UF	20.00% 10V
X3500	1-813-547-11	QUARTZ CRYSTAL UNIT		C4045	1-107-826-11	CERAMIC CHIP 0.1UF	10.00% 16V
*A-1101-831-E A2 Board, Complete				C4046	1-107-826-11	CERAMIC CHIP 0.1UF	10.00% 16V
	4-382-854-01	SCREW (M3X8), P, SW (+)		C4047	1-165-669-21	ELECT CHIP 220UF	20% 6.3V
	6-805-841-01	IC M27W201-80K6-A10		C4048	1-165-669-21	ELECT CHIP 220UF	20% 6.3V
< CAPACITOR >				C4050	1-107-826-11	CERAMIC CHIP 0.1UF	10.00% 16V
C4002	1-162-964-11	CERAMIC CHIP 0.001UF	10.00% 50V	C4052	1-127-573-11	CERAMIC CHIP 1UF	10% 16V
C4004	1-126-396-11	ELECT CHIP 47UF	20.00% 16V	C4053	1-127-573-11	CERAMIC CHIP 1UF	10% 16V
C4005	1-126-396-11	ELECT CHIP 47UF	20.00% 16V	C4055	1-126-396-11	ELECT CHIP 47UF	20.00% 16V
C4006	1-164-004-11	CERAMIC CHIP 0.1UF	10.00% 25V	C4056	1-135-346-21	ELECT CHIP 39UF	20% 16V
C4007	1-164-004-11	CERAMIC CHIP 0.1UF	10.00% 25V	C4057	1-164-004-11	CERAMIC CHIP 0.1UF	10.00% 25V
C4008	1-128-528-11	ELECT 470UF	20% 25V	C4058	1-164-004-11	CERAMIC CHIP 0.1UF	10.00% 25V
C4009	1-100-118-21	ELECT CHIP 82UF	20% 16V	C4101	1-137-765-21	ELECT CHIP 47UF	20% 16V
C4010	1-128-528-11	ELECT 470UF	20% 25V	C4103	1-164-004-11	CERAMIC CHIP 0.1UF	10.00% 25V
C4011	1-164-004-11	CERAMIC CHIP 0.1UF	10.00% 25V	C4104	1-164-004-11	CERAMIC CHIP 0.1UF	10.00% 25V
C4012	1-164-004-11	CERAMIC CHIP 0.1UF	10.00% 25V	C4107	1-162-907-11	CERAMIC CHIP 2PF	0.25PF 50V
C4013	1-162-970-11	CERAMIC CHIP 0.01UF	10.00% 25V	C4108	1-162-907-11	CERAMIC CHIP 2PF	0.25PF 50V
C4014	1-162-970-11	CERAMIC CHIP 0.01UF	10.00% 25V	C4109	1-162-964-11	CERAMIC CHIP 0.001UF	10.00% 50V
C4015	1-162-970-11	CERAMIC CHIP 0.01UF	10.00% 25V	C4110	1-162-923-11	CERAMIC CHIP 47PF	5.00% 50V
C4016	1-162-923-11	CERAMIC CHIP 47PF	5.00% 50V	C4111	1-162-923-11	CERAMIC CHIP 47PF	5.00% 50V
C4017	1-162-967-11	CERAMIC CHIP 0.0033UF	10.00% 50V	C4112	1-162-923-11	CERAMIC CHIP 47PF	5.00% 50V
C4018	1-126-396-11	ELECT CHIP 47UF	20.00% 16V	C4115	1-137-765-21	ELECT CHIP 47UF	20% 16V
C4019	1-126-396-11	ELECT CHIP 47UF	20.00% 16V	C4116	1-127-715-91	CERAMIC CHIP 0.22UF	10% 16V
C4020	1-164-004-11	CERAMIC CHIP 0.1UF	10.00% 25V	C4117	1-162-964-11	CERAMIC CHIP 0.001UF	10.00% 50V
C4021	1-127-573-11	CERAMIC CHIP 1UF	10% 16V	C4119	1-127-715-91	CERAMIC CHIP 0.22UF	10% 16V
C4022	1-162-970-11	CERAMIC CHIP 0.01UF	10.00% 25V	C4120	1-127-715-91	CERAMIC CHIP 0.22UF	10% 16V
C4023	1-162-967-11	CERAMIC CHIP 0.0033UF	10.00% 50V	C4122	1-124-779-00	ELECT CHIP 10UF	20.00% 16V
C4024	1-135-349-21	ELECT CHIP 22UF	20% 20V	C4123	1-127-715-91	CERAMIC CHIP 0.22UF	10% 16V
				C4124	1-127-715-91	CERAMIC CHIP 0.22UF	10% 16V
				C4125	1-127-715-91	CERAMIC CHIP 0.22UF	10% 16V
				C4127	1-127-715-91	CERAMIC CHIP 0.22UF	10% 16V
				C4128	1-127-715-91	CERAMIC CHIP 0.22UF	10% 16V
				C4130	1-137-765-21	ELECT CHIP 47UF	20% 16V

REF.NO.	PART.NO	DESCRIPTION	REMARK	REF.NO.	PART.NO	DESCRIPTION	REMARK
C4132	1-127-715-91	CERAMIC CHIP 0.22UF	10% 16V	C4325	1-128-304-11	ELECT CHIP 330UF	20.00% 16V
C4135	1-124-779-00	ELECT CHIP 10UF	20.00% 16V	C4327	1-124-779-00	ELECT CHIP 10UF	20.00% 16V
C4136	1-125-837-91	CERAMIC CHIP 1UF	10.00% 6.3V	C4328	1-128-304-11	ELECT CHIP 330UF	20.00% 16V
C4137	1-107-826-11	CERAMIC CHIP 0.1UF	10.00% 16V	C4329	1-124-779-00	ELECT CHIP 10UF	20.00% 16V
C4139	1-128-357-11	ELECT CHIP 10UF	20.00% 16V	C4401	1-126-392-11	ELECT CHIP 100UF	20.00% 6.3V
C4141	1-128-357-11	ELECT CHIP 10UF	20.00% 16V	C4402	1-107-826-11	CERAMIC CHIP 0.1UF	10.00% 16V
C4143	1-162-966-11	CERAMIC CHIP 0.0022UF	10.00% 50V	C4403	1-107-826-11	CERAMIC CHIP 0.1UF	10.00% 16V
C4145	1-137-765-21	ELECT CHIP 47UF	20% 16V	C4404	1-126-392-11	ELECT CHIP 100UF	20.00% 6.3V
C4146	1-162-966-11	CERAMIC CHIP 0.0022UF	10.00% 50V	C4405	1-162-962-11	CERAMIC CHIP 470PF	10.00% 50V
C4147	1-128-357-11	ELECT CHIP 10UF	20.00% 16V	C4407	1-127-715-91	CERAMIC CHIP 0.22UF	10% 16V
C4148	1-124-779-00	ELECT CHIP 10UF	20.00% 16V	C4409	1-126-396-11	ELECT CHIP 47UF	20.00% 16V
C4149	1-124-779-00	ELECT CHIP 10UF	20.00% 16V	C4411	1-107-826-11	CERAMIC CHIP 0.1UF	10.00% 16V
C4152	1-117-681-11	ELECT CHIP 100UF	20.00% 16V	C4412	1-107-826-11	CERAMIC CHIP 0.1UF	10.00% 16V
C4153	1-162-964-11	CERAMIC CHIP 0.001UF	10.00% 50V	C4413	1-127-715-91	CERAMIC CHIP 0.22UF	10% 16V
C4154	1-128-357-11	ELECT CHIP 10UF	20.00% 16V	C4414	1-126-392-11	ELECT CHIP 100UF	20.00% 6.3V
C4155	1-128-357-11	ELECT CHIP 10UF	20.00% 16V	C4417	1-126-392-11	ELECT CHIP 100UF	20.00% 6.3V
C4158	1-125-891-11	CERAMIC CHIP 0.47UF	10.00% 10V	C4418	1-162-920-11	CERAMIC CHIP 27PF	5.00% 50V
C4159	1-107-826-11	CERAMIC CHIP 0.1UF	10.00% 16V	C4419	1-127-715-91	CERAMIC CHIP 0.22UF	10% 16V
C4160	1-107-826-11	CERAMIC CHIP 0.1UF	10.00% 16V	C4420	1-127-715-91	CERAMIC CHIP 0.22UF	10% 16V
C4161	1-117-681-11	ELECT CHIP 100UF	20.00% 16V	C4422	1-125-889-91	CERAMIC CHIP 2.2UF	10% 10V
C4163	1-162-918-11	CERAMIC CHIP 18UF	5.00% 50V	C4423	1-126-392-11	ELECT CHIP 100UF	20.00% 6.3V
C4164	1-162-918-11	CERAMIC CHIP 18UF	5.00% 50V	C4424	1-162-919-11	CERAMIC CHIP 22PF	5.00% 50V
C4165	1-107-826-11	CERAMIC CHIP 0.1UF	10.00% 16V	C4425	1-127-715-91	CERAMIC CHIP 0.22UF	10% 16V
C4166	1-117-681-11	ELECT CHIP 100UF	20.00% 16V	C4426	1-127-715-91	CERAMIC CHIP 0.22UF	10% 16V
C4168	1-162-927-11	CERAMIC CHIP 100PF	5.00% 50V	C4427	1-127-715-91	CERAMIC CHIP 0.22UF	10% 16V
C4178	1-127-715-91	CERAMIC CHIP 0.22UF	10% 16V	C4428	1-127-715-91	CERAMIC CHIP 0.22UF	10% 16V
C4179	1-127-715-91	CERAMIC CHIP 0.22UF	10% 16V	C4429	1-127-715-91	CERAMIC CHIP 0.22UF	10% 16V
C4183	1-162-927-11	CERAMIC CHIP 100PF	5.00% 50V	C4430	1-127-715-91	CERAMIC CHIP 0.22UF	10% 16V
C4301	1-124-779-00	ELECT CHIP 10UF	20.00% 16V	C4431	1-115-566-11	CERAMIC CHIP 4.7UF	10.00% 10V
C4302	1-100-597-91	CERAMIC CHIP 0.1UF	10.00% 25V	C4432	1-162-964-11	CERAMIC CHIP 0.001UF	10.00% 50V
C4303	1-117-681-11	ELECT CHIP 100UF	20.00% 16V	C4433	1-107-726-91	CERAMIC CHIP 0.01UF	10.00% 16V
C4304	1-126-395-11	ELECT CHIP 22UF	20.00% 16V	C4434	1-107-726-91	CERAMIC CHIP 0.01UF	10.00% 16V
C4305	1-107-826-11	CERAMIC CHIP 0.1UF	10.00% 16V	C4601	1-162-923-11	CERAMIC CHIP 47PF	5.00% 50V
C4306	1-125-889-91	CERAMIC CHIP 2.2UF	10% 10V	C4602	1-162-923-11	CERAMIC CHIP 47PF	5.00% 50V
C4307	1-125-889-91	CERAMIC CHIP 2.2UF	10% 10V	C4603	1-162-923-11	CERAMIC CHIP 47PF	5.00% 50V
C4308	1-126-204-11	ELECT CHIP 47UF	20.00% 16V	C4604	1-162-923-11	CERAMIC CHIP 47PF	5.00% 50V
C4310	1-125-889-91	CERAMIC CHIP 2.2UF	10% 10V	C4606	1-162-923-11	CERAMIC CHIP 47PF	5.00% 50V
C4312	1-125-889-91	CERAMIC CHIP 2.2UF	10% 10V	C4607	1-162-923-11	CERAMIC CHIP 47PF	5.00% 50V
C4313	1-164-230-11	CERAMIC CHIP 220PF	5.00% 50V	C4608	1-162-923-11	CERAMIC CHIP 47PF	5.00% 50V
C4314	1-164-230-11	CERAMIC CHIP 220PF	5.00% 50V	C4609	1-162-923-11	CERAMIC CHIP 47PF	5.00% 50V
C4315	1-125-889-91	CERAMIC CHIP 2.2UF	10% 10V	C4610	1-162-923-11	CERAMIC CHIP 47PF	5.00% 50V
C4316	1-126-394-11	ELECT CHIP 10UF	20.00% 16V	C4611	1-162-923-11	CERAMIC CHIP 47PF	5.00% 50V
C4317	1-100-597-91	CERAMIC CHIP 0.1UF	10.00% 25V	C4612	1-162-926-11	CERAMIC CHIP 82PF	5.00% 50V
C4318	1-124-779-00	ELECT CHIP 10UF	20.00% 16V	C4613	1-164-505-11	CERAMIC CHIP 2.2UF	16V
C4319	1-124-779-00	ELECT CHIP 10UF	20.00% 16V	C4614	1-162-923-11	CERAMIC CHIP 47PF	5.00% 50V
C4320	1-137-894-21	ELECT CHIP 470UF	20% 25V	C4615	1-162-923-11	CERAMIC CHIP 47PF	5.00% 50V
C4321	1-125-889-91	CERAMIC CHIP 2.2UF	10% 10V	C4616	1-164-505-11	CERAMIC CHIP 2.2UF	16V
C4322	1-126-396-11	ELECT CHIP 47UF	20.00% 16V	C4617	1-164-505-11	CERAMIC CHIP 2.2UF	16V
C4323	1-126-396-11	ELECT CHIP 47UF	20.00% 16V	C4618	1-126-396-11	ELECT CHIP 47UF	20.00% 16V
C4324	1-162-964-11	CERAMIC CHIP 0.001UF	10.00% 50V	C4619	1-126-396-11	ELECT CHIP 47UF	20.00% 16V

REF.NO.	PART.NO	DESCRIPTION	REMARK	REF.NO.	PART.NO	DESCRIPTION	REMARK
C4620	1-162-927-11	CERAMIC CHIP 100PF	5.00% 50V	C4805	1-126-394-11	ELECT CHIP 10UF	20.00% 16V
C4621	1-162-927-11	CERAMIC CHIP 100PF	5.00% 50V	C4806	1-126-394-11	ELECT CHIP 10UF	20.00% 16V
C4622	1-162-927-11	CERAMIC CHIP 100PF	5.00% 50V	C4807	1-107-826-11	CERAMIC CHIP 0.1UF	10.00% 16V
C4626	1-164-505-11	CERAMIC CHIP 2.2UF	16V	C4808	1-126-205-11	ELECT CHIP 47UF	20.00% 6.3V
C4627	1-164-505-11	CERAMIC CHIP 2.2UF	16V	C4810	1-126-357-11	ELECT CHIP 10UF	20.00% 16V
C4637	1-162-923-11	CERAMIC CHIP 47PF	5.00% 50V	C4811	1-126-205-11	ELECT CHIP 47UF	20.00% 6.3V
C4638	1-162-923-11	CERAMIC CHIP 47PF	5.00% 50V	C4812	1-126-357-11	ELECT CHIP 10UF	20.00% 16V
C4639	1-162-923-11	CERAMIC CHIP 47PF	5.00% 50V	C4813	1-126-357-11	ELECT CHIP 10UF	20.00% 16V
C4640	1-162-923-11	CERAMIC CHIP 47PF	5.00% 50V	C4814	1-107-826-11	CERAMIC CHIP 0.1UF	10.00% 16V
C4642	1-162-923-11	CERAMIC CHIP 47PF	5.00% 50V	C4815	1-107-826-11	CERAMIC CHIP 0.1UF	10.00% 16V
C4643	1-162-923-11	CERAMIC CHIP 47PF	5.00% 50V	C4819	1-107-826-11	CERAMIC CHIP 0.1UF	10.00% 16V
C4644	1-162-923-11	CERAMIC CHIP 47PF	5.00% 50V	C4824	1-125-891-11	CERAMIC CHIP 0.47UF	10.00% 10V
C4645	1-162-923-11	CERAMIC CHIP 47PF	5.00% 50V	C4825	1-125-891-11	CERAMIC CHIP 0.47UF	10.00% 10V
C4646	1-162-926-11	CERAMIC CHIP 82PF	5.00% 50V	C4826	1-100-742-91	CERAMIC CHIP 2.2UF	20% 10V
C4647	1-164-505-11	CERAMIC CHIP 2.2UF	16V	C4827	1-125-891-11	CERAMIC CHIP 0.47UF	10.00% 10V
C4648	1-164-505-11	CERAMIC CHIP 2.2UF	16V	C4828	1-125-891-11	CERAMIC CHIP 0.47UF	10.00% 10V
C4649	1-164-505-11	CERAMIC CHIP 2.2UF	16V	C4829	1-125-891-11	CERAMIC CHIP 0.47UF	10.00% 10V
C4650	1-126-396-11	ELECT CHIP 47UF	20.00% 16V	C4830	1-125-891-11	CERAMIC CHIP 0.47UF	10.00% 10V
C4651	1-126-396-11	ELECT CHIP 47UF	20.00% 16V	C4832	1-162-964-11	CERAMIC CHIP 0.001UF	10.00% 50V
C4652	1-162-927-11	CERAMIC CHIP 100PF	5.00% 50V	C4833	1-164-156-11	CERAMIC CHIP 0.1UF	25V
C4653	1-162-927-11	CERAMIC CHIP 100PF	5.00% 50V	C4834	1-125-891-11	CERAMIC CHIP 0.47UF	10.00% 10V
C4654	1-162-927-11	CERAMIC CHIP 100PF	5.00% 50V	C4835	1-125-891-11	CERAMIC CHIP 0.47UF	10.00% 10V
C4658	1-162-923-11	CERAMIC CHIP 47PF	5.00% 50V	C4836	1-162-966-11	CERAMIC CHIP 0.0022UF	10.00% 50V
C4659	1-162-923-11	CERAMIC CHIP 47PF	5.00% 50V	C4837	1-126-601-11	ELECT CHIP 2.2UF	20.00% 50V
C4661	1-162-923-11	CERAMIC CHIP 47PF	5.00% 50V	C4838	1-125-837-91	CERAMIC CHIP 1UF	10% 6.3V
C4662	1-162-923-11	CERAMIC CHIP 47PF	5.00% 50V	C4839	1-162-970-11	CERAMIC CHIP 0.01UF	10.00% 25V
C4664	1-162-923-11	CERAMIC CHIP 47PF	5.00% 50V	C4840	1-107-826-11	CERAMIC CHIP 0.1UF	10.00% 16V
C4665	1-162-923-11	CERAMIC CHIP 47PF	5.00% 50V	C4841	1-107-826-11	CERAMIC CHIP 0.1UF	10.00% 16V
C4666	1-162-923-11	CERAMIC CHIP 47PF	5.00% 50V	C4842	1-126-396-11	ELECT CHIP 47UF	20.00% 16V
C4667	1-162-923-11	CERAMIC CHIP 47PF	5.00% 50V	C4843	1-107-826-11	CERAMIC CHIP 0.1UF	10.00% 16V
C4669	1-162-923-11	CERAMIC CHIP 47PF	5.00% 50V	C4844	1-126-394-11	ELECT CHIP 10UF	20.00% 16V
C4670	1-162-923-11	CERAMIC CHIP 47PF	5.00% 50V	C4845	1-126-394-11	ELECT CHIP 10UF	20.00% 16V
C4671	1-162-923-11	CERAMIC CHIP 47PF	5.00% 50V	C4846	1-126-394-11	ELECT CHIP 10UF	20.00% 16V
C4672	1-162-923-11	CERAMIC CHIP 47PF	5.00% 50V	C4847	1-126-394-11	ELECT CHIP 10UF	20.00% 16V
C4673	1-162-926-11	CERAMIC CHIP 82PF	5.00% 50V	C4848	1-126-394-11	ELECT CHIP 10UF	20.00% 16V
C4674	1-164-505-11	CERAMIC CHIP 2.2UF	16V	C4849	1-126-394-11	ELECT CHIP 10UF	20.00% 16V
C4675	1-164-505-11	CERAMIC CHIP 2.2UF	16V	C4850	1-126-394-11	ELECT CHIP 10UF	20.00% 16V
C4676	1-164-505-11	CERAMIC CHIP 2.2UF	16V	C4851	1-126-394-11	ELECT CHIP 10UF	20.00% 16V
C4677	1-126-396-11	ELECT CHIP 47UF	20.00% 16V	C4852	1-126-394-11	ELECT CHIP 10UF	20.00% 16V
C4678	1-126-396-11	ELECT CHIP 47UF	20.00% 16V	C4853	1-162-968-11	CERAMIC CHIP 0.0047UF	10.00% 50V
C4679	1-162-927-11	CERAMIC CHIP 100PF	5.00% 50V	C4854	1-162-962-11	CERAMIC CHIP 470PF	10.00% 50V
C4680	1-162-927-11	CERAMIC CHIP 100PF	5.00% 50V	C4855	1-107-826-11	CERAMIC CHIP 0.1UF	10.00% 16V
C4681	1-162-927-11	CERAMIC CHIP 100PF	5.00% 50V	C4858	1-125-891-11	CERAMIC CHIP 0.47UF	10.00% 10V
C4685	1-125-891-11	CERAMIC CHIP 0.47UF	10.00% 10V	C4859	1-125-891-11	CERAMIC CHIP 0.47UF	10.00% 10V
C4701	1-162-921-11	CERAMIC CHIP 33PF	5.00% 50V	C4860	1-125-891-11	CERAMIC CHIP 0.47UF	10.00% 10V
C4702	1-162-921-11	CERAMIC CHIP 33PF	5.00% 50V	C4861	1-125-891-11	CERAMIC CHIP 0.47UF	10.00% 10V
C4801	1-126-394-11	ELECT CHIP 10UF	20.00% 16V	C4862	1-100-742-91	CERAMIC CHIP 2.2UF	20% 10V
C4802	1-126-394-11	ELECT CHIP 10UF	20.00% 16V	C4863	1-100-742-91	CERAMIC CHIP 2.2UF	20% 10V
C4803	1-126-394-11	ELECT CHIP 10UF	20.00% 16V	C4864	1-100-742-91	CERAMIC CHIP 2.2UF	20% 10V
C4804	1-126-394-11	ELECT CHIP 10UF	20.00% 16V	C4865	1-100-742-91	CERAMIC CHIP 2.2UF	20% 10V

REF.NO.	PART.NO	DESCRIPTION	REMARK	REF.NO.	PART.NO	DESCRIPTION	REMARK
C4866	1-125-891-11	CERAMIC CHIP 0.47UF	10.00% 10V	C5208	1-107-826-11	CERAMIC CHIP 0.1UF	10.00% 16V
C4867	1-125-891-11	CERAMIC CHIP 0.47UF	10.00% 10V	C5209	1-124-779-00	ELECT CHIP 10UF	20.00% 16V
C4868	1-125-891-11	CERAMIC CHIP 0.47UF	10.00% 10V	C5210	1-125-891-11	CERAMIC CHIP 0.47UF	10.00% 10V
C4869	1-128-360-11	ELECT CHIP 220UF	20.00% 10V	C5211	1-125-891-11	CERAMIC CHIP 0.47UF	10.00% 10V
C4870	1-164-156-11	CERAMIC CHIP 0.1UF	25V	C5213	1-164-505-11	CERAMIC CHIP 2.2UF	16V
C4871	1-100-597-91	CERAMIC CHIP 0.1UF	10.00% 25V	C5216	1-164-505-11	CERAMIC CHIP 2.2UF	16V
C4872	1-126-396-11	ELECT CHIP 47UF	20.00% 16V	C5217	1-126-396-11	ELECT CHIP 47UF	20.00% 16V
C4873	1-137-993-21	ELECT CHIP 470UF	20% 16V	C5218	1-100-597-91	CERAMIC CHIP 0.1UF	10.00% 25V
C4874	1-137-993-21	ELECT CHIP 470UF	20% 16V	C5219	1-125-891-11	CERAMIC CHIP 0.47UF	10.00% 10V
C4875	1-137-993-21	ELECT CHIP 470UF	20% 16V	C5220	1-125-891-11	CERAMIC CHIP 0.47UF	10.00% 10V
C4901	1-162-970-11	CERAMIC CHIP 0.01UF	10.00% 25V	C5221	1-126-392-11	ELECT CHIP 100UF	20.00% 6.3V
C4902	1-162-970-11	CERAMIC CHIP 0.01UF	10.00% 25V	C5222	1-107-826-11	CERAMIC CHIP 0.1UF	10.00% 16V
C4903	1-126-396-11	ELECT CHIP 47UF	20.00% 16V	C5223	1-164-505-11	CERAMIC CHIP 2.2UF	16V
C4904	1-162-928-11	CERAMIC CHIP 120PF	5.00% 50V	C5224	1-100-742-91	CERAMIC CHIP 2.2UF	20% 10V
C4920	1-162-964-11	CERAMIC CHIP 0.001UF	10.00% 50V	C5226	1-163-009-91	CERAMIC CHIP 0.001UF	10.00% 50V
C4923	1-127-573-11	CERAMIC CHIP 1UF	10% 16V	C5227	1-100-742-91	CERAMIC CHIP 2.2UF	20% 10V
C4924	1-162-925-11	CERAMIC CHIP 68PF	5.00% 50V			< CONNECTOR >	
C4925	1-126-405-11	ELECT CHIP 10UF	20.00% 50V	CN4001	1-779-992-11	PIN, CONNECTOR (PWB) 8P	
C4926	1-162-925-11	CERAMIC CHIP 68PF	5.00% 50V	CN4002	*1-818-656-21	HEADER ASSEMBLY 30P	
C4927	1-162-921-11	CERAMIC CHIP 33PF	5.00% 50V	CN4504	*1-695-890-21	PIN, CONNECTOR (PC BOARD) 12P	
C4928	1-163-009-91	CERAMIC CHIP 0.001UF	10.00% 50V	CN4601	*1-417-602-11	SOCKET 21PIN	
C4931	1-126-396-11	ELECT CHIP 47UF	20.00% 16V	CN4602	*1-417-602-11	SOCKET 21PIN	
C4932	1-162-927-11	CERAMIC CHIP 100PF	5.00% 50V	CN4603	*1-417-602-11	SOCKET 21PIN	
C4933	1-162-921-11	CERAMIC CHIP 33PF	5.00% 50V	CN4605	1-764-087-21	PIN, CONNECTOR (PC BOARD) 14P	
C4934	1-162-921-11	CERAMIC CHIP 33PF	5.00% 50V	CN4606	1-695-209-21	PIN, CONNECTOR (PC BOARD) 15P	
C4935	1-164-489-11	CERAMIC CHIP 0.22UF	10.00% 16V	CN4801	1-766-382-21	PIN, CONNECTOR (1.5MM) (SMD) 10P	
C4936	1-162-968-11	CERAMIC CHIP 0.0047UF	10.00% 50V	CN4802	1-779-936-21	CONNECTOR, FPC/EPC 18P	
C4937	1-126-396-11	ELECT CHIP 47UF	20.00% 16V	CN5101	1-818-714-21	HEADER ASSEMBLY 20P	
C4938	1-164-161-11	CERAMIC CHIP 0.0022UF	10.00% 50V	CN5102	1-817-753-11	CONNECTOR, BOARD TO BOARD 100P	
C4939	1-127-573-11	CERAMIC CHIP 1UF	10% 16V	CN5103	1-764-177-91	PIN, CONNECTOR 7P	
C4942	1-162-964-11	CERAMIC CHIP 0.001UF	10.00% 50V	CN5105	*1-695-207-21	PIN, CONNECTOR (PC BOARD) 6P	
C4943	1-162-964-11	CERAMIC CHIP 0.001UF	10.00% 50V	CN5106	*1-695-890-21	PIN, CONNECTOR (PC BOARD) 12P	
C5101	1-162-974-11	CERAMIC CHIP 0.01UF	50V	CN5107	1-764-078-11	PIN, CONNECTOR (PC BOARD) 3P	
C5102	1-162-970-11	CERAMIC CHIP 0.01UF	10.00% 25V	CN5108	*1-695-320-21	PIN, CONNECTOR (1.5MM) (SMD) 2P	
C5105	1-164-156-11	CERAMIC CHIP 0.1UF	25V	CN5109	*1-770-469-21	PIN, CONNECTOR (PC BOARD) 2P	
C5106	1-164-156-11	CERAMIC CHIP 0.1UF	25V			< DIODE >	
C5107	1-164-156-11	CERAMIC CHIP 0.1UF	25V	D4001	8-719-073-34	DIODE EC21QS03L-TE12L	
C5108	1-164-156-11	CERAMIC CHIP 0.1UF	25V	D4002	6-500-579-01	DIODE PTZ-TE25-6.8B	
C5109	1-104-905-11	CAPACITOR 0.22F	5.5V	D4003	6-500-294-01	DIODE PTZ-TE25-3.9B	
C5121	1-162-921-11	CERAMIC CHIP 33PF	5.00% 50V	D4004	6-500-295-01	DIODE PTZ-TE25-5.6B	
C5122	1-164-230-11	CERAMIC CHIP 220PF	5.00% 50V	D4005	8-719-081-99	DIODE MM3Z13VT1	
C5123	1-164-230-11	CERAMIC CHIP 220PF	5.00% 50V	D4101	8-719-056-85	DIODE UDZ-TE-17-8.2B	
C5124	1-162-927-11	CERAMIC CHIP 100PF	5.00% 50V	D4102	8-719-056-85	DIODE UDZ-TE-17-8.2B	
C5201	1-164-004-11	CERAMIC CHIP 0.1UF	10.00% 25V	D4301	8-719-081-97	DIODE MMDL914T1	
C5202	1-135-346-21	ELECT CHIP 39UF	20% 16V	D4302	8-719-081-97	DIODE MMDL914T1	
C5203	1-107-826-11	CERAMIC CHIP 0.1UF	10.00% 16V	D4304	8-719-914-44	DIODE DAP202K	
C5204	1-107-826-11	CERAMIC CHIP 0.1UF	10.00% 16V	D4306	8-719-081-97	DIODE MMDL914T1	
C5205	1-107-826-11	CERAMIC CHIP 0.1UF	10.00% 16V				
C5206	1-107-826-11	CERAMIC CHIP 0.1UF	10.00% 16V				
C5207	1-107-826-11	CERAMIC CHIP 0.1UF	10.00% 16V				

REF.NO.	PART.NO	DESCRIPTION	REMARK	REF.NO.	PART.NO	DESCRIPTION	REMARK
D4307	8-719-081-97	DIODE MMDL914T1		FB4113	1-500-284-21	FERRITE	OUH
D4309	8-719-081-97	DIODE MMDL914T1		FB4114	1-414-921-11	FERRITE	OUH
D4310	8-719-081-97	DIODE MMDL914T1		FB4401	1-414-445-11	FERRITE	OUH
D4401	8-719-404-50	DIODE MA111-TX		FB4402	1-469-775-21	FERRITE	OUH
D4407	8-719-069-55	DIODE UDZSTE-175.5B		FB4601	1-400-333-21	FERRITE	OUH
D4408	8-719-069-55	DIODE UDZSTE-175.5B		FB4602	1-400-333-21	FERRITE	OUH
D4409	8-719-069-55	DIODE UDZSTE-175.5B		FB4603	1-400-333-21	FERRITE	OUH
D4410	8-719-069-55	DIODE UDZSTE-175.5B		FB4901	1-414-445-11	FERRITE	OUH
D4601	8-719-069-60	DIODE UDZSTE-179.1B		FB4920	1-469-775-21	FERRITE	OUH
D4602	8-719-083-82	DIODE UDZS-TE17-12B		FB4921	1-414-921-11	FERRITE	OUH
D4606	8-719-069-60	DIODE UDZSTE-179.1B		FB4922	1-414-921-11	FERRITE	OUH
D4607	8-719-069-60	DIODE UDZSTE-179.1B		FB4923	1-414-921-11	FERRITE	OUH
D4608	8-719-069-60	DIODE UDZSTE-179.1B		FB4924	1-414-445-11	FERRITE	OUH
D4609	8-719-069-60	DIODE UDZSTE-179.1B		FB4925	1-414-445-11	FERRITE	OUH
D4610	8-719-069-60	DIODE UDZSTE-179.1B		FB5101	1-469-775-21	FERRITE	OUH
D4611	8-719-069-60	DIODE UDZSTE-179.1B		FB5102	1-469-775-21	FERRITE	OUH
D4613	8-719-069-60	DIODE UDZSTE-179.1B		FB5103	1-469-775-21	FERRITE	OUH
D4614	8-719-069-60	DIODE UDZSTE-179.1B		FB5104	1-469-775-21	FERRITE	OUH
D4618	8-719-069-60	DIODE UDZSTE-179.1B		FB5105	1-469-775-21	FERRITE	OUH
D4619	8-719-083-82	DIODE UDZS-TE17-12B		FB5106	1-469-775-21	FERRITE	OUH
D4623	8-719-069-60	DIODE UDZSTE-179.1B		FB5107	1-469-775-21	FERRITE	OUH
D4624	8-719-069-60	DIODE UDZSTE-179.1B		FB5108	1-469-775-21	FERRITE	OUH
D4625	8-719-069-60	DIODE UDZSTE-179.1B		FB5109	1-500-284-21	FERRITE	OUH
D4626	8-719-069-60	DIODE UDZSTE-179.1B		FB5110	1-500-284-21	FERRITE	OUH
D4627	8-719-069-60	DIODE UDZSTE-179.1B		FB5111	1-500-284-21	FERRITE	OUH
D4628	8-719-069-60	DIODE UDZSTE-179.1B				< FILTER >	
D4630	8-719-069-60	DIODE UDZSTE-179.1B					
D4631	8-719-069-60	DIODE UDZSTE-179.1B		FL4101	1-236-071-11	ENCAPSULATED COMPONENT	
D4632	8-719-083-82	DIODE UDZS-TE17-12B				< IC >	
D4636	8-719-069-60	DIODE UDZSTE-179.1B					
D4637	8-719-069-60	DIODE UDZSTE-179.1B		IC4001	8-759-564-82	IC BA09ST-V5	
D4638	8-719-069-60	DIODE UDZSTE-179.1B		IC4002	8-759-564-82	IC BA09ST-V5	
D4639	8-719-069-60	DIODE UDZSTE-179.1B		IC4003	6-703-249-01	IC SN105233DBTR	
D4640	8-719-069-60	DIODE UDZSTE-179.1B		IC4004	6-704-407-01	IC PQ1CZ41H2ZPH	
D4641	8-719-069-60	DIODE UDZSTE-179.1B		IC4005	6-705-464-01	IC BA50BC0T	
D4921	8-719-083-87	DIODE UDZS-TE17-33B		IC4006	6-705-464-01	IC BA50BC0T	
D4923	8-719-081-97	DIODE MMDL914T1		IC4007	6-705-466-01	IC BA90BC0T	
D5101	8-719-081-97	DIODE MMDL914T1		IC4102	6-708-263-01	IC MSP4411K-QA-D5-401	
D5102	8-719-081-97	DIODE MMDL914T1		IC4105	8-759-198-31	IC UPC1093J-1-T	
		< FERRITE BEAD >		IC4301	8-759-278-58	IC NJM4558V-TE2	
FB4001	1-469-775-21	FERRITE	OUH	IC4302	8-759-359-49	IC NJM3414AV (TE2)	
FB4002	1-469-775-21	FERRITE	OUH	IC4401	6-705-468-01	IC BA33BC0FP-E2	
FB4003	1-469-775-21	FERRITE	OUH	IC4402	6-704-607-01	IC M24C16-WMN6T (B)	
FB4004	1-469-775-21	FERRITE	OUH	IC4403	6-702-515-01	IC SAA5665HL/MLD/0724	
FB4102	1-414-921-11	FERRITE	OUH	IC4404	6-706-419-01	IC LM393DT (A)	
FB4103	1-216-864-11	SHORT CHIP	0	IC4405	8-759-672-39	IC PST573IMT	
FB4107	1-414-229-11	FERRITE	OUH	IC4406	6-706-484-01	IC TC7SH04FU (T5RSOYJF)	
FB4108	1-414-229-11	FERRITE	OUH	IC4407	6-706-491-01	IC TC7SH86FU (T5RSOYJF)	
FB4110	1-414-229-11	FERRITE	OUH	IC4408	6-705-950-01	IC K6F2008V2E-LF70000	
				IC4409	8-759-523-81	IC TC74VHC08FT (EL)	

Note : The components identified by shading and marked Δ are critical for safety. Replace only with the part numbers specified in the parts list.

A2

REF.NO.	PART.NO	DESCRIPTION	REMARK	REF.NO.	PART.NO	DESCRIPTION	REMARK
IC4410	1-540-151-21	SOCKET, IC		< PROTECTOR MODULE >			
IC4801	6-706-805-01	IC TL52055DR		PS4001	Δ 1-533-596-11	IC LINK 4A	90V
IC4802	6-706-805-01	IC TL52055DR		PS4002	Δ 1-533-593-42	IC LINK 2A	90V
IC4803	6-706-805-01	IC TL52055DR		< TRANSISTOR >			
IC4804	6-701-172-01	IC MC74LVXT4052DTR2		Q4001	6-550-222-01	TRANSISTOR IRF7335D1-TR	
IC4805	8-759-687-14	IC MAX4451EKA+TG069		Q4002	6-550-222-01	TRANSISTOR IRF7335D1-TR	
IC4806	8-759-687-14	IC MAX4451EKA+TG069		Q4003	8-729-907-00	TRANSISTOR DTC114EU	
IC4807	8-752-106-86	IC CXA2181Q-T6		Q4004	8-729-054-36	TRANSISTOR UP41716G-E2	
IC4810	8-759-598-44	IC TC7WH08FK (TE85R)		Q4101	8-729-422-33	TRANSISTOR 2SD601A-Q-TX	
IC4901	8-759-514-57	IC BA7046F		Q4104	8-729-024-89	TRANSISTOR MUN2213T1	
IC5201	8-752-080-04	IC CXA2069Q		Q4301	8-729-422-29	TRANSISTOR 2SD601A-S	
IC5202	8-759-082-60	IC TC7S66FU		Q4304	8-729-422-29	TRANSISTOR 2SD601A-S	
< SOCKET >				Q4305	8-729-422-29	TRANSISTOR 2SD601A-S	
J4601	1-819-354-11	PHONO JACK 5P		Q4307	6-550-586-01	TRANSISTOR 2PA1576R-115	
J4602	1-819-327-11	PHONO JACK 2P		Q4308	6-550-644-01	TRANSISTOR SSM3K14T-TE85L	
< COIL >				Q4309	6-550-644-01	TRANSISTOR SSM3K14T-TE85L	
L4001	1-406-657-11	INDUCTOR	4.7UH	Q4310	6-550-586-01	TRANSISTOR 2PA1576R-115	
L4003	1-400-323-21	INDUCTOR	47UH	Q4314	6-550-586-01	TRANSISTOR 2PA1576R-115	
L4004	1-424-758-21	INDUCTOR	10UH	Q4315	8-729-422-29	TRANSISTOR 2SD601A-S	
L4005	1-424-758-21	INDUCTOR	10UH	Q4316	8-729-026-53	TRANSISTOR 2SA1576A-T106-QR	
L4101	1-412-029-11	INDUCTOR	10UH	Q4317	8-729-422-29	TRANSISTOR 2SD601A-S	
L4102	1-412-029-11	INDUCTOR	10UH	Q4402	8-729-424-08	TRANSISTOR UN2111	
L4103	1-412-029-11	INDUCTOR	10UH	Q4403	8-729-421-22	TRANSISTOR UN2211	
L4104	1-412-029-11	INDUCTOR	10UH	Q4404	8-729-026-49	TRANSISTOR 2SA1037AK-T146-R	
L4301	1-412-058-11	INDUCTOR	10UH	Q4801	8-729-026-49	TRANSISTOR 2SA1037AK-T146-R	
L4302	1-412-991-31	INDUCTOR	10UH	Q4804	6-550-586-01	TRANSISTOR 2PA1576R-115	
L4401	1-412-030-11	INDUCTOR	22UH	Q4901	6-550-585-01	TRANSISTOR 2PC4081R-115	
L4402	1-412-030-11	INDUCTOR	22UH	Q4902	6-550-586-01	TRANSISTOR 2PA1576R-115	
L4403	1-412-030-11	INDUCTOR	22UH	Q4921	8-729-010-05	TRANSISTOR MSB709-RT1	
L4404	1-412-030-11	INDUCTOR	22UH	Q4923	8-729-010-29	TRANSISTOR MSD601-RST1	
L4405	1-412-029-11	INDUCTOR	10UH	Q4924	8-729-026-49	TRANSISTOR 2SA1037AK-T146-R	
L4406	1-412-029-11	INDUCTOR	10UH	Q4926	8-729-010-05	TRANSISTOR MSB709-RT1	
L4407	1-412-029-11	INDUCTOR	10UH	Q4927	8-729-120-28	TRANSISTOR 2SC1623-L5L6	
L4408	1-412-029-11	INDUCTOR	10UH	Q5201	8-729-120-28	TRANSISTOR 2SC1623-L5L6	
L4409	1-412-029-11	INDUCTOR	10UH	Q5202	8-729-120-28	TRANSISTOR 2SC1623-L5L6	
L4801	1-412-029-11	INDUCTOR	10UH	Q5203	8-729-120-28	TRANSISTOR 2SC1623-L5L6	
L4802	1-412-029-11	INDUCTOR	10UH	Q5204	8-729-920-75	TRANSISTOR 2SC2412K-T-146-QR	
L4804	1-469-525-91	INDUCTOR	10UH	Q5205	8-729-120-28	TRANSISTOR 2SC1623-L5L6	
L4805	1-412-029-11	INDUCTOR	10UH	Q5206	8-729-120-28	TRANSISTOR 2SC1623-L5L6	
L4806	1-469-525-91	INDUCTOR	10UH	Q5207	8-729-120-28	TRANSISTOR 2SC1623-L5L6	
L4901	1-412-029-11	INDUCTOR	10UH	Q5209	8-729-120-28	TRANSISTOR 2SC1623-L5L6	
L4902	1-412-990-41	INDUCTOR	8.2UH	< RESISTOR >			
L4923	1-412-029-11	INDUCTOR	10UH	R4005	1-216-295-91	SHORT CHIP	0
L4924	1-412-029-11	INDUCTOR	10UH	R4006	1-216-295-91	SHORT CHIP	0
L5201	1-412-029-11	INDUCTOR	10UH	R4007	1-216-864-11	SHORT CHIP	0
L5204	1-412-029-11	INDUCTOR	10UH	R4008	1-216-864-11	SHORT CHIP	0
L5205	1-412-029-11	INDUCTOR	10UH	R4010	1-218-871-11	METAL CHIP	10K 0.5% 1/10W

REF.NO.	PART.NO	DESCRIPTION	REMARK	REF.NO.	PART.NO	DESCRIPTION	REMARK
R4011	1-218-859-11	METAL CHIP	3.3K 0.5% 1/10W	R4124	1-216-809-11	METAL CHIP	100 5% 1/10W
R4012	1-218-871-11	METAL CHIP	10K 0.5% 1/10W	R4125	1-216-815-11	METAL CHIP	330 5% 1/10W
R4013	1-218-859-11	METAL CHIP	3.3K 0.5% 1/10W	R4127	1-216-864-11	SHORT CHIP	0
R4014	1-218-871-11	METAL CHIP	10K 0.5% 1/10W	R4128	1-216-805-11	METAL CHIP	47 5% 1/10W
R4015	1-218-867-11	METAL CHIP	6.8K 0.5% 1/10W	R4129	1-216-809-11	METAL CHIP	100 5% 1/10W
R4016	1-216-295-91	SHORT CHIP	0	R4131	1-216-835-11	METAL CHIP	15K 5% 1/10W
R4017	1-216-841-11	METAL CHIP	47K 5% 1/10W	R4133	1-216-829-11	METAL CHIP	4.7K 5% 1/10W
R4018	1-216-841-11	METAL CHIP	47K 5% 1/10W	R4136	1-216-864-11	SHORT CHIP	0
R4019	1-218-857-11	METAL CHIP	2.7K 0.5% 1/10W	R4138	1-216-829-11	METAL CHIP	4.7K 5% 1/10W
R4020	1-216-821-11	METAL CHIP	1K 5% 1/10W	R4140	1-216-835-11	METAL CHIP	15K 5% 1/10W
R4021	1-216-829-11	METAL CHIP	4.7K 5% 1/10W	R4143	1-216-838-11	METAL CHIP	27K 5% 1/10W
R4022	1-218-857-11	METAL CHIP	2.7K 0.5% 1/10W	R4146	1-216-829-11	METAL CHIP	4.7K 5% 1/10W
R4023	1-218-835-11	METAL CHIP	330 0.5% 1/10W	R4148	1-216-829-11	METAL CHIP	4.7K 5% 1/10W
R4024	1-218-856-11	METAL CHIP	2.4K 0.5% 1/10W	R4149	1-216-838-11	METAL CHIP	27K 5% 1/10W
R4025	1-216-864-11	SHORT CHIP	0	R4150	1-216-864-11	SHORT CHIP	0
R4026	1-218-835-11	METAL CHIP	330 0.5% 1/10W	R4151	1-216-817-11	METAL CHIP	470 5% 1/10W
R4027	1-218-881-11	METAL CHIP	27K 0.5% 1/10W	R4153	1-216-836-11	METAL CHIP	18K 5% 1/10W
R4028	1-218-883-11	METAL CHIP	33K 0.5% 1/10W	R4155	1-216-841-11	METAL CHIP	47K 5% 1/10W
R4029	1-216-821-11	METAL CHIP	1K 5% 1/10W	R4156	1-216-809-11	METAL CHIP	100 5% 1/10W
R4030	1-216-864-11	SHORT CHIP	0	R4157	1-216-809-11	METAL CHIP	100 5% 1/10W
R4031	1-218-887-11	METAL CHIP	47K 0.5% 1/10W	R4158	1-216-809-11	METAL CHIP	100 5% 1/10W
R4032	1-218-887-11	METAL CHIP	47K 0.5% 1/10W	R4159	1-216-797-11	METAL CHIP	10 5% 1/10W
R4033	1-216-841-11	METAL CHIP	47K 5% 1/10W	R4160	1-216-797-11	METAL CHIP	10 5% 1/10W
R4034	1-216-295-91	SHORT CHIP	0	R4163	1-216-809-11	METAL CHIP	100 5% 1/10W
R4035	1-216-295-91	SHORT CHIP	0	R4165	1-216-809-11	METAL CHIP	100 5% 1/10W
R4036	1-218-860-11	METAL CHIP	3.6K 0.5% 1/10W	R4166	1-216-805-11	METAL CHIP	47 5% 1/10W
R4037	1-218-847-11	METAL CHIP	1K 0.5% 1/10W	R4167	1-216-805-11	METAL CHIP	47 5% 1/10W
R4039	1-216-799-11	METAL CHIP	15 5% 1/10W	R4168	1-216-807-11	METAL CHIP	68 5% 1/10W
R4040	1-216-799-11	METAL CHIP	15 5% 1/10W	R4169	1-216-807-11	METAL CHIP	68 5% 1/10W
R4041	1-216-295-91	SHORT CHIP	0	R4172	1-216-864-11	SHORT CHIP	0
R4042	1-216-295-91	SHORT CHIP	0	R4174	1-216-864-11	SHORT CHIP	0
R4043	1-216-295-91	SHORT CHIP	0	R4175	1-216-864-11	SHORT CHIP	0
R4044	1-216-295-91	SHORT CHIP	0	R4176	1-216-825-11	METAL CHIP	2.2K 5% 1/10W
R4045	1-216-295-91	SHORT CHIP	0	R4178	1-216-821-11	METAL CHIP	1K 5% 1/10W
R4046	1-216-847-11	METAL CHIP	150K 5% 1/10W	R4180	1-216-864-11	SHORT CHIP	0
R4047	1-216-839-11	METAL CHIP	33K 5% 1/10W	R4181	1-216-864-11	SHORT CHIP	0
R4101	1-216-864-11	SHORT CHIP	0	R4183	1-216-809-11	METAL CHIP	100 5% 1/10W
R4102	1-216-864-11	SHORT CHIP	0	R4184	1-216-833-11	METAL CHIP	10K 5% 1/10W
R4103	1-216-864-11	SHORT CHIP	0	R4185	1-216-821-11	METAL CHIP	1K 5% 1/10W
R4108	1-216-864-11	SHORT CHIP	0	R4186	1-216-797-11	METAL CHIP	10 5% 1/10W
R4113	1-216-864-11	SHORT CHIP	0	R4187	1-216-797-11	METAL CHIP	10 5% 1/10W
R4114	1-216-864-11	SHORT CHIP	0	R4188	1-216-797-11	METAL CHIP	10 5% 1/10W
R4115	1-216-864-11	SHORT CHIP	0	R4189	1-216-797-11	METAL CHIP	10 5% 1/10W
R4116	1-216-864-11	SHORT CHIP	0	R4190	1-216-864-11	SHORT CHIP	0
R4117	1-216-864-11	SHORT CHIP	0	R4191	1-216-864-11	SHORT CHIP	0
R4118	1-216-864-11	SHORT CHIP	0	R4193	1-216-864-11	SHORT CHIP	0
R4119	1-216-864-11	SHORT CHIP	0	R4194	1-216-864-11	SHORT CHIP	0
R4120	1-216-864-11	SHORT CHIP	0	R4195	1-216-864-11	SHORT CHIP	0
R4121	1-216-864-11	SHORT CHIP	0	R4198	1-216-864-11	SHORT CHIP	0
R4122	1-216-864-11	SHORT CHIP	0	R4199	1-216-864-11	SHORT CHIP	0

REF.NO.	PART.NO	DESCRIPTION	REMARK	REF.NO.	PART.NO	DESCRIPTION	REMARK
R4200	1-216-864-11	SHORT CHIP	0	R4345	1-216-823-11	METAL CHIP	1.5K 5% 1/10W
R4201	1-216-811-11	METAL CHIP	150 5% 1/10W	R4346	1-216-864-11	SHORT CHIP	0
R4202	1-216-811-11	METAL CHIP	150 5% 1/10W	R4348	1-216-837-11	METAL CHIP	22K 5% 1/10W
R4205	1-216-864-11	SHORT CHIP	0	R4349	1-216-829-11	METAL CHIP	4.7K 5% 1/10W
R4206	1-216-864-11	SHORT CHIP	0	R4351	1-216-838-11	METAL CHIP	27K 5% 1/10W
R4209	1-216-833-11	METAL CHIP	10K 5% 1/10W	R4353	1-218-877-11	METAL CHIP	18K 0.5% 1/10W
R4216	1-216-864-11	SHORT CHIP	0	R4354	1-216-841-11	METAL CHIP	47K 5% 1/10W
R4217	1-216-864-11	SHORT CHIP	0	R4360	1-216-864-11	SHORT CHIP	0
R4301	1-218-867-11	METAL CHIP	6.8K 0.5% 1/10W	R4366	1-216-837-11	METAL CHIP	22K 5% 1/10W
R4302	1-218-867-11	METAL CHIP	6.8K 0.5% 1/10W	R4367	1-216-829-11	METAL CHIP	4.7K 5% 1/10W
R4303	1-218-867-11	METAL CHIP	6.8K 0.5% 1/10W	R4368	1-216-841-11	METAL CHIP	47K 5% 1/10W
R4304	1-218-873-11	METAL CHIP	12K 0.5% 1/10W	R4371	1-216-821-11	METAL CHIP	1K 5% 1/10W
R4305	1-216-821-11	METAL CHIP	1K 5% 1/10W	R4372	1-216-841-11	METAL CHIP	47K 5% 1/10W
R4306	1-216-864-11	SHORT CHIP	0	R4373	1-216-841-11	METAL CHIP	47K 5% 1/10W
R4307	1-216-864-11	SHORT CHIP	0	R4375	1-216-821-11	METAL CHIP	1K 5% 1/10W
R4308	1-216-841-11	METAL CHIP	47K 5% 1/10W	R4376	1-216-825-11	METAL CHIP	2.2K 5% 1/10W
R4309	1-216-841-11	METAL CHIP	47K 5% 1/10W	R4377	1-216-833-11	METAL CHIP	10K 5% 1/10W
R4312	1-216-821-11	METAL CHIP	1K 5% 1/10W	R4403	1-216-864-11	SHORT CHIP	0
R4313	1-218-747-11	METAL CHIP	200K 0.5% 1/10W	R4404	1-216-864-11	SHORT CHIP	0
R4314	1-216-833-11	METAL CHIP	10K 5% 1/10W	R4409	1-216-825-11	METAL CHIP	2.2K 5% 1/10W
R4315	1-216-833-11	METAL CHIP	10K 5% 1/10W	R4410	1-216-845-11	METAL CHIP	100K 5% 1/10W
R4316	1-216-833-11	METAL CHIP	10K 5% 1/10W	R4411	1-216-845-11	METAL CHIP	100K 5% 1/10W
R4317	1-216-833-11	METAL CHIP	10K 5% 1/10W	R4412	1-216-829-11	METAL CHIP	4.7K 5% 1/10W
R4318	1-216-829-11	METAL CHIP	4.7K 5% 1/10W	R4413	1-216-809-11	METAL CHIP	100 5% 1/10W
R4319	1-216-829-11	METAL CHIP	4.7K 5% 1/10W	R4414	1-216-825-11	METAL CHIP	2.2K 5% 1/10W
R4320	1-216-833-11	METAL CHIP	10K 5% 1/10W	R4415	1-216-833-11	METAL CHIP	10K 5% 1/10W
R4321	1-216-829-11	METAL CHIP	4.7K 5% 1/10W	R4416	1-216-809-11	METAL CHIP	100 5% 1/10W
R4322	1-216-853-11	METAL CHIP	470K 5% 1/10W	R4417	1-216-829-11	METAL CHIP	4.7K 5% 1/10W
R4323	1-216-853-11	METAL CHIP	470K 5% 1/10W	R4418	1-216-821-11	METAL CHIP	1K 5% 1/10W
R4324	1-216-825-11	METAL CHIP	2.2K 5% 1/10W	R4419	1-216-809-11	METAL CHIP	100 5% 1/10W
R4325	1-216-825-11	METAL CHIP	2.2K 5% 1/10W	R4421	1-216-809-11	METAL CHIP	100 5% 1/10W
R4326	1-216-829-11	METAL CHIP	4.7K 5% 1/10W	R4423	1-216-809-11	METAL CHIP	100 5% 1/10W
R4327	1-216-841-11	METAL CHIP	47K 5% 1/10W	R4424	1-216-864-11	SHORT CHIP	0
R4328	1-216-833-11	METAL CHIP	10K 5% 1/10W	R4425	1-216-809-11	METAL CHIP	100 5% 1/10W
R4329	1-216-841-11	METAL CHIP	47K 5% 1/10W	R4426	1-216-809-11	METAL CHIP	100 5% 1/10W
R4330	1-216-825-11	METAL CHIP	2.2K 5% 1/10W	R4427	1-216-809-11	METAL CHIP	100 5% 1/10W
R4331	1-216-825-11	METAL CHIP	2.2K 5% 1/10W	R4428	1-216-864-11	SHORT CHIP	0
R4332	1-216-833-11	METAL CHIP	10K 5% 1/10W	R4429	1-216-809-11	METAL CHIP	100 5% 1/10W
R4333	1-216-833-11	METAL CHIP	10K 5% 1/10W	R4430	1-216-809-11	METAL CHIP	100 5% 1/10W
R4334	1-216-822-11	METAL CHIP	1.2K 5% 1/10W	R4431	1-216-809-11	METAL CHIP	100 5% 1/10W
R4335	1-216-823-11	METAL CHIP	1.5K 5% 1/10W	R4432	1-216-809-11	METAL CHIP	100 5% 1/10W
R4336	1-216-823-11	METAL CHIP	1.5K 5% 1/10W	R4433	1-216-809-11	METAL CHIP	100 5% 1/10W
R4337	1-216-822-11	METAL CHIP	1.2K 5% 1/10W	R4434	1-216-809-11	METAL CHIP	100 5% 1/10W
R4338	1-216-823-11	METAL CHIP	1.5K 5% 1/10W	R4435	1-216-809-11	METAL CHIP	100 5% 1/10W
R4339	1-216-823-11	METAL CHIP	1.5K 5% 1/10W	R4436	1-216-809-11	METAL CHIP	100 5% 1/10W
R4340	1-216-822-11	METAL CHIP	1.2K 5% 1/10W	R4437	1-216-864-11	SHORT CHIP	0
R4341	1-216-823-11	METAL CHIP	1.5K 5% 1/10W	R4438	1-216-829-11	METAL CHIP	4.7K 5% 1/10W
R4342	1-216-823-11	METAL CHIP	1.5K 5% 1/10W	R4439	1-216-817-11	METAL CHIP	470 5% 1/10W
R4343	1-216-822-11	METAL CHIP	1.2K 5% 1/10W	R4440	1-216-809-11	METAL CHIP	100 5% 1/10W
R4344	1-216-823-11	METAL CHIP	1.5K 5% 1/10W	R4441	1-216-809-11	METAL CHIP	100 5% 1/10W

REF.NO.	PART.NO	DESCRIPTION	REMARK	REF.NO.	PART.NO	DESCRIPTION	REMARK
R4442	1-216-809-11	METAL CHIP	100 5% 1/10W	R4493	1-216-833-11	METAL CHIP	10K 5% 1/10W
R4444	1-216-809-11	METAL CHIP	100 5% 1/10W	R4494	1-216-829-11	METAL CHIP	4.7K 5% 1/10W
R4445	1-216-809-11	METAL CHIP	100 5% 1/10W	R4497	1-216-809-11	METAL CHIP	100 5% 1/10W
R4446	1-216-809-11	METAL CHIP	100 5% 1/10W	R4503	1-216-809-11	METAL CHIP	100 5% 1/10W
R4447	1-216-809-11	METAL CHIP	100 5% 1/10W	R4504	1-216-809-11	METAL CHIP	100 5% 1/10W
R4448	1-216-809-11	METAL CHIP	100 5% 1/10W	R4507	1-216-809-11	METAL CHIP	100 5% 1/10W
R4449	1-218-725-11	METAL CHIP	24K 0.5% 1/10W	R4601	1-216-813-11	METAL CHIP	220 5% 1/10W
R4450	1-216-809-11	METAL CHIP	100 5% 1/10W	R4602	1-216-813-11	METAL CHIP	220 5% 1/10W
R4451	1-216-809-11	METAL CHIP	100 5% 1/10W	R4603	1-216-813-11	METAL CHIP	220 5% 1/10W
R4452	1-216-809-11	METAL CHIP	100 5% 1/10W	R4604	1-216-813-11	METAL CHIP	220 5% 1/10W
R4453	1-216-809-11	METAL CHIP	100 5% 1/10W	R4605	1-216-813-11	METAL CHIP	220 5% 1/10W
R4454	1-216-809-11	METAL CHIP	100 5% 1/10W	R4606	1-216-813-11	METAL CHIP	220 5% 1/10W
R4455	1-216-809-11	METAL CHIP	100 5% 1/10W	R4607	1-216-813-11	METAL CHIP	220 5% 1/10W
R4456	1-216-809-11	METAL CHIP	100 5% 1/10W	R4608	1-216-814-11	METAL CHIP	270 5% 1/10W
R4457	1-216-809-11	METAL CHIP	100 5% 1/10W	R4609	1-216-815-11	METAL CHIP	330 5% 1/10W
R4458	1-216-809-11	METAL CHIP	100 5% 1/10W	R4610	1-216-814-11	METAL CHIP	270 5% 1/10W
R4459	1-216-809-11	METAL CHIP	100 5% 1/10W	R4611	1-216-815-11	METAL CHIP	330 5% 1/10W
R4460	1-216-809-11	METAL CHIP	100 5% 1/10W	R4612	1-218-285-11	METAL CHIP	75 5% 1/10W
R4461	1-216-809-11	METAL CHIP	100 5% 1/10W	R4613	1-216-809-11	METAL CHIP	100 5% 1/10W
R4462	1-216-809-11	METAL CHIP	100 5% 1/10W	R4614	1-216-837-11	METAL CHIP	22K 5% 1/10W
R4463	1-216-809-11	METAL CHIP	100 5% 1/10W	R4615	1-216-815-11	METAL CHIP	330 5% 1/10W
R4464	1-216-809-11	METAL CHIP	100 5% 1/10W	R4616	1-216-815-11	METAL CHIP	330 5% 1/10W
R4465	1-216-809-11	METAL CHIP	100 5% 1/10W	R4617	1-216-841-11	METAL CHIP	47K 5% 1/10W
R4466	1-216-025-11	RES-CHIP	100 5% 1/10W	R4618	1-216-853-11	METAL CHIP	470K 5% 1/10W
R4467	1-216-803-11	METAL CHIP	33 5% 1/10W	R4619	1-216-841-11	METAL CHIP	47K 5% 1/10W
R4468	1-216-833-11	METAL CHIP	10K 5% 1/10W	R4620	1-216-853-11	METAL CHIP	470K 5% 1/10W
R4469	1-216-803-11	METAL CHIP	33 5% 1/10W	R4621	1-216-809-11	METAL CHIP	100 5% 1/10W
R4470	1-216-803-11	METAL CHIP	33 5% 1/10W	R4622	1-216-809-11	METAL CHIP	100 5% 1/10W
R4471	1-216-809-11	METAL CHIP	100 5% 1/10W	R4623	1-216-809-11	METAL CHIP	100 5% 1/10W
R4472	1-216-810-11	METAL CHIP	120 5% 1/10W	R4624	1-216-809-11	METAL CHIP	100 5% 1/10W
R4473	1-216-809-11	METAL CHIP	100 5% 1/10W	R4625	1-216-813-11	METAL CHIP	220 5% 1/10W
R4474	1-216-833-11	METAL CHIP	10K 5% 1/10W	R4626	1-216-813-11	METAL CHIP	220 5% 1/10W
R4475	1-216-841-11	METAL CHIP	47K 5% 1/10W	R4627	1-216-813-11	METAL CHIP	220 5% 1/10W
R4476	1-216-810-11	METAL CHIP	120 5% 1/10W	R4628	1-216-834-11	METAL CHIP	12K 5% 1/10W
R4477	1-216-833-11	METAL CHIP	10K 5% 1/10W	R4629	1-216-809-11	METAL CHIP	100 5% 1/10W
R4478	1-216-809-11	METAL CHIP	100 5% 1/10W	R4630	1-216-853-11	METAL CHIP	470K 5% 1/10W
R4479	1-216-809-11	METAL CHIP	100 5% 1/10W	R4631	1-216-853-11	METAL CHIP	470K 5% 1/10W
R4480	1-216-809-11	METAL CHIP	100 5% 1/10W	R4632	1-216-813-11	METAL CHIP	220 5% 1/10W
R4481	1-216-809-11	METAL CHIP	100 5% 1/10W	R4633	1-216-813-11	METAL CHIP	220 5% 1/10W
R4482	1-216-809-11	METAL CHIP	100 5% 1/10W	R4634	1-216-813-11	METAL CHIP	220 5% 1/10W
R4483	1-216-809-11	METAL CHIP	100 5% 1/10W	R4635	1-216-825-11	METAL CHIP	2.2K 5% 1/10W
R4484	1-216-809-11	METAL CHIP	100 5% 1/10W	R4636	1-216-825-11	METAL CHIP	2.2K 5% 1/10W
R4485	1-216-864-11	SHORT CHIP	0	R4637	1-216-809-11	METAL CHIP	100 5% 1/10W
R4486	1-216-809-11	METAL CHIP	100 5% 1/10W	R4638	1-216-813-11	METAL CHIP	220 5% 1/10W
R4487	1-216-810-11	METAL CHIP	120 5% 1/10W	R4639	1-216-813-11	METAL CHIP	220 5% 1/10W
R4488	1-216-833-11	METAL CHIP	10K 5% 1/10W	R4640	1-216-813-11	METAL CHIP	220 5% 1/10W
R4489	1-216-833-11	METAL CHIP	10K 5% 1/10W	R4642	1-216-864-11	SHORT CHIP	0
R4490	1-216-833-11	METAL CHIP	10K 5% 1/10W	R4643	1-216-864-11	SHORT CHIP	0
R4491	1-216-833-11	METAL CHIP	10K 5% 1/10W	R4644	1-216-864-11	SHORT CHIP	0
R4492	1-216-833-11	METAL CHIP	10K 5% 1/10W	R4645	1-216-825-11	METAL CHIP	2.2K 5% 1/10W

REF.NO.	PART.NO	DESCRIPTION	REMARK	REF.NO.	PART.NO	DESCRIPTION	REMARK
R4646	1-216-825-11	METAL CHIP	2.2K 5% 1/10W	R4703	1-216-809-11	METAL CHIP	100 5% 1/10W
R4651	1-216-813-11	METAL CHIP	220 5% 1/10W	R4704	1-216-837-11	METAL CHIP	22K 5% 1/10W
R4652	1-216-813-11	METAL CHIP	220 5% 1/10W	R4705	1-216-841-11	METAL CHIP	47K 5% 1/10W
R4653	1-216-813-11	METAL CHIP	220 5% 1/10W	R4706	1-216-853-11	METAL CHIP	470K 5% 1/10W
R4654	1-216-813-11	METAL CHIP	220 5% 1/10W	R4707	1-216-841-11	METAL CHIP	47K 5% 1/10W
R4655	1-216-813-11	METAL CHIP	220 5% 1/10W	R4708	1-216-853-11	METAL CHIP	470K 5% 1/10W
R4656	1-216-813-11	METAL CHIP	220 5% 1/10W	R4709	1-216-809-11	METAL CHIP	100 5% 1/10W
R4657	1-216-813-11	METAL CHIP	220 5% 1/10W	R4710	1-218-285-11	METAL CHIP	75 5% 1/10W
R4658	1-216-814-11	METAL CHIP	270 5% 1/10W	R4711	1-216-809-11	METAL CHIP	100 5% 1/10W
R4659	1-216-815-11	METAL CHIP	330 5% 1/10W	R4712	1-216-809-11	METAL CHIP	100 5% 1/10W
R4660	1-216-814-11	METAL CHIP	270 5% 1/10W	R4713	1-216-809-11	METAL CHIP	100 5% 1/10W
R4661	1-216-815-11	METAL CHIP	330 5% 1/10W	R4714	1-216-834-11	METAL CHIP	12K 5% 1/10W
R4662	1-218-285-11	METAL CHIP	75 5% 1/10W	R4715	1-216-809-11	METAL CHIP	100 5% 1/10W
R4663	1-216-809-11	METAL CHIP	100 5% 1/10W	R4716	1-216-809-11	METAL CHIP	100 5% 1/10W
R4664	1-216-837-11	METAL CHIP	22K 5% 1/10W	R4717	1-216-825-11	METAL CHIP	2.2K 5% 1/10W
R4665	1-216-841-11	METAL CHIP	47K 5% 1/10W	R4718	1-216-825-11	METAL CHIP	2.2K 5% 1/10W
R4666	1-216-853-11	METAL CHIP	470K 5% 1/10W	R4721	1-216-864-11	SHORT CHIP	0
R4667	1-216-841-11	METAL CHIP	47K 5% 1/10W	R4722	1-216-864-11	SHORT CHIP	0
R4668	1-216-853-11	METAL CHIP	470K 5% 1/10W	R4723	1-216-864-11	SHORT CHIP	0
R4669	1-216-809-11	METAL CHIP	100 5% 1/10W	R4724	1-216-864-11	SHORT CHIP	0
R4670	1-216-809-11	METAL CHIP	100 5% 1/10W	R4725	1-216-864-11	SHORT CHIP	0
R4671	1-216-809-11	METAL CHIP	100 5% 1/10W	R4727	1-216-864-11	SHORT CHIP	0
R4672	1-216-809-11	METAL CHIP	100 5% 1/10W	R4728	1-216-864-11	SHORT CHIP	0
R4673	1-216-834-11	METAL CHIP	12K 5% 1/10W	R4729	1-216-813-11	METAL CHIP	220 5% 1/10W
R4674	1-216-809-11	METAL CHIP	100 5% 1/10W	R4730	1-216-813-11	METAL CHIP	220 5% 1/10W
R4675	1-216-825-11	METAL CHIP	2.2K 5% 1/10W	R4731	1-216-813-11	METAL CHIP	220 5% 1/10W
R4676	1-216-825-11	METAL CHIP	2.2K 5% 1/10W	R4732	1-216-813-11	METAL CHIP	220 5% 1/10W
R4677	1-216-809-11	METAL CHIP	100 5% 1/10W	R4733	1-216-813-11	METAL CHIP	220 5% 1/10W
R4678	1-216-809-11	METAL CHIP	100 5% 1/10W	R4734	1-216-813-11	METAL CHIP	220 5% 1/10W
R4680	1-216-815-11	METAL CHIP	330 5% 1/10W	R4735	1-216-813-11	METAL CHIP	220 5% 1/10W
R4681	1-216-815-11	METAL CHIP	330 5% 1/10W	R4736	1-216-813-11	METAL CHIP	220 5% 1/10W
R4682	1-216-864-11	SHORT CHIP	0	R4737	1-216-813-11	METAL CHIP	220 5% 1/10W
R4683	1-216-841-11	METAL CHIP	47K 5% 1/10W	R4738	1-216-813-11	METAL CHIP	220 5% 1/10W
R4684	1-216-841-11	METAL CHIP	47K 5% 1/10W	R4739	1-216-813-11	METAL CHIP	220 5% 1/10W
R4686	1-216-809-11	METAL CHIP	100 5% 1/10W	R4740	1-216-813-11	METAL CHIP	220 5% 1/10W
R4687	1-216-809-11	METAL CHIP	100 5% 1/10W	R4741	1-216-813-11	METAL CHIP	220 5% 1/10W
R4688	1-216-295-91	SHORT CHIP	0	R4742	1-216-813-11	METAL CHIP	220 5% 1/10W
R4689	1-216-853-11	METAL CHIP	470K 5% 1/10W	R4743	1-216-813-11	METAL CHIP	220 5% 1/10W
R4690	1-216-853-11	METAL CHIP	470K 5% 1/10W	R4744	1-216-813-11	METAL CHIP	220 5% 1/10W
R4692	1-216-813-11	METAL CHIP	220 5% 1/10W	R4745	1-216-813-11	METAL CHIP	220 5% 1/10W
R4693	1-216-813-11	METAL CHIP	220 5% 1/10W	R4746	1-216-813-11	METAL CHIP	220 5% 1/10W
R4694	1-216-813-11	METAL CHIP	220 5% 1/10W	R4747	1-216-813-11	METAL CHIP	220 5% 1/10W
R4695	1-216-813-11	METAL CHIP	220 5% 1/10W	R4748	1-216-813-11	METAL CHIP	220 5% 1/10W
R4696	1-216-813-11	METAL CHIP	220 5% 1/10W	R4749	1-216-813-11	METAL CHIP	220 5% 1/10W
R4697	1-216-813-11	METAL CHIP	220 5% 1/10W	R4750	1-216-813-11	METAL CHIP	220 5% 1/10W
R4698	1-216-813-11	METAL CHIP	220 5% 1/10W	R4751	1-216-813-11	METAL CHIP	220 5% 1/10W
R4699	1-216-814-11	METAL CHIP	270 5% 1/10W	R4752	1-216-813-11	METAL CHIP	220 5% 1/10W
R4700	1-216-815-11	METAL CHIP	330 5% 1/10W	R4753	1-218-285-11	METAL CHIP	75 5% 1/10W
R4701	1-216-814-11	METAL CHIP	270 5% 1/10W	R4754	1-218-285-11	METAL CHIP	75 5% 1/10W
R4702	1-216-815-11	METAL CHIP	330 5% 1/10W	R4755	1-218-285-11	METAL CHIP	75 5% 1/10W

REF.NO.	PART.NO	DESCRIPTION	REMARK	REF.NO.	PART.NO	DESCRIPTION	REMARK
R4759	1-216-864-11	SHORT CHIP	0	R4858	1-216-809-11	METAL CHIP	100 5% 1/10W
R4760	1-216-864-11	SHORT CHIP	0	R4859	1-216-809-11	METAL CHIP	100 5% 1/10W
R4761	1-216-864-11	SHORT CHIP	0	R4860	1-216-809-11	METAL CHIP	100 5% 1/10W
R4762	1-216-864-11	SHORT CHIP	0	R4861	1-216-817-11	METAL CHIP	470 5% 1/10W
R4763	1-216-864-11	SHORT CHIP	0	R4862	1-218-285-11	METAL CHIP	75 5% 1/10W
R4766	1-216-864-11	SHORT CHIP	0	R4863	1-216-805-11	METAL CHIP	47 5% 1/10W
R4767	1-216-864-11	SHORT CHIP	0	R4864	1-216-805-11	METAL CHIP	47 5% 1/10W
R4768	1-216-864-11	SHORT CHIP	0	R4865	1-216-809-11	METAL CHIP	100 5% 1/10W
R4769	1-216-864-11	SHORT CHIP	0	R4866	1-216-809-11	METAL CHIP	100 5% 1/10W
R4770	1-216-864-11	SHORT CHIP	0	R4868	1-216-809-11	METAL CHIP	100 5% 1/10W
R4771	1-216-864-11	SHORT CHIP	0	R4869	1-216-817-11	METAL CHIP	470 5% 1/10W
R4772	1-216-864-11	SHORT CHIP	0	R4870	1-216-809-11	METAL CHIP	100 5% 1/10W
R4773	1-216-864-11	SHORT CHIP	0	R4871	1-216-817-11	METAL CHIP	470 5% 1/10W
R4776	1-216-864-11	SHORT CHIP	0	R4872	1-216-817-11	METAL CHIP	470 5% 1/10W
R4777	1-216-864-11	SHORT CHIP	0	R4874	1-218-871-11	METAL CHIP	10K 0.5% 1/10W
R4778	1-216-864-11	SHORT CHIP	0	R4876	1-216-864-11	SHORT CHIP	0
R4801	1-218-847-11	METAL CHIP	1K 0.5% 1/10W	R4877	1-216-797-11	METAL CHIP	10 5% 1/10W
R4802	1-218-847-11	METAL CHIP	1K 0.5% 1/10W	R4887	1-216-809-11	METAL CHIP	100 5% 1/10W
R4803	1-216-857-11	METAL CHIP	1M 5% 1/10W	R4888	1-216-809-11	METAL CHIP	100 5% 1/10W
R4804	1-216-857-11	METAL CHIP	1M 5% 1/10W	R4889	1-216-809-11	METAL CHIP	100 5% 1/10W
R4805	1-216-821-11	METAL CHIP	1K 5% 1/10W	R4890	1-216-809-11	METAL CHIP	100 5% 1/10W
R4806	1-216-857-11	METAL CHIP	1M 5% 1/10W	R4891	1-216-819-11	METAL CHIP	680 5% 1/10W
R4807	1-211-990-11	METAL CHIP	75 0.5% 1/10W	R4892	1-216-827-11	METAL CHIP	3.3K 5% 1/10W
R4808	1-211-990-11	METAL CHIP	75 0.5% 1/10W	R4897	1-216-833-11	METAL CHIP	10K 5% 1/10W
R4809	1-211-990-11	METAL CHIP	75 0.5% 1/10W	R4898	1-216-833-11	METAL CHIP	10K 5% 1/10W
R4811	1-216-817-11	METAL CHIP	470 5% 1/10W	R4901	1-216-821-11	METAL CHIP	1K 5% 1/10W
R4812	1-216-817-11	METAL CHIP	470 5% 1/10W	R4904	1-216-805-11	METAL CHIP	47 5% 1/10W
R4815	1-216-809-11	METAL CHIP	100 5% 1/10W	R4905	1-216-295-91	SHORT CHIP	0
R4816	1-216-817-11	METAL CHIP	470 5% 1/10W	R4907	1-216-825-11	METAL CHIP	2.2K 5% 1/10W
R4817	1-216-817-11	METAL CHIP	470 5% 1/10W	R4910	1-216-864-11	SHORT CHIP	0
R4818	1-216-817-11	METAL CHIP	470 5% 1/10W	R4911	1-216-864-11	SHORT CHIP	0
R4819	1-216-817-11	METAL CHIP	470 5% 1/10W	R4912	1-216-864-11	SHORT CHIP	0
R4820	1-216-809-11	METAL CHIP	100 5% 1/10W	R4913	1-216-864-11	SHORT CHIP	0
R4821	1-216-817-11	METAL CHIP	470 5% 1/10W	R4914	1-216-864-11	SHORT CHIP	0
R4822	1-218-847-11	METAL CHIP	1K 0.5% 1/10W	R4921	1-216-836-11	METAL CHIP	18K 5% 1/10W
R4824	1-216-864-11	SHORT CHIP	0	R4923	1-216-864-11	SHORT CHIP	0
R4835	1-216-864-11	SHORT CHIP	0	R4925	1-218-836-11	METAL CHIP	360 0.5% 1/10W
R4845	1-216-809-11	METAL CHIP	100 5% 1/10W	R4926	1-216-809-11	METAL CHIP	100 5% 1/10W
R4846	1-216-809-11	METAL CHIP	100 5% 1/10W	R4929	1-216-809-11	METAL CHIP	100 5% 1/10W
R4847	1-216-809-11	METAL CHIP	100 5% 1/10W	R4930	1-216-809-11	METAL CHIP	100 5% 1/10W
R4848	1-218-285-11	METAL CHIP	75 5% 1/10W	R4931	1-216-853-11	METAL CHIP	470K 5% 1/10W
R4849	1-218-285-11	METAL CHIP	75 5% 1/10W	R4932	1-218-743-11	METAL CHIP	130K 0.5% 1/10W
R4850	1-216-813-11	METAL CHIP	220 5% 1/10W	R4933	1-216-864-11	SHORT CHIP	0
R4851	1-218-285-11	METAL CHIP	75 5% 1/10W	R4936	1-216-864-11	SHORT CHIP	0
R4852	1-216-813-11	METAL CHIP	220 5% 1/10W	R4938	1-249-411-11	CARBON	330 5% 1/4W
R4853	1-218-285-11	METAL CHIP	75 5% 1/10W	R4939	1-216-829-11	METAL CHIP	4.7K 5% 1/10W
R4854	1-216-864-11	SHORT CHIP	0	R4941	1-216-853-11	METAL CHIP	470K 5% 1/10W
R4855	1-216-809-11	METAL CHIP	100 5% 1/10W	R4942	1-216-853-11	METAL CHIP	470K 5% 1/10W
R4856	1-216-809-11	METAL CHIP	100 5% 1/10W	R4943	1-216-833-11	METAL CHIP	10K 5% 1/10W
R4857	1-216-809-11	METAL CHIP	100 5% 1/10W	R4944	1-216-864-11	SHORT CHIP	0

REF.NO.	PART.NO	DESCRIPTION	REMARK	REF.NO.	PART.NO	DESCRIPTION	REMARK
R4945	1-218-836-11	METAL CHIP	360 0.5% 1/10W	R5223	1-216-841-11	METAL CHIP	47K 5% 1/10W
R4946	1-216-850-11	METAL CHIP	270K 5% 1/10W	R5224	1-216-864-11	SHORT CHIP	0
R4947	1-216-821-11	METAL CHIP	1K 5% 1/10W	R5225	1-216-809-11	METAL CHIP	100 5% 1/10W
R4948	1-216-833-11	METAL CHIP	10K 5% 1/10W	R5226	1-216-809-11	METAL CHIP	100 5% 1/10W
R4949	1-216-821-11	METAL CHIP	1K 5% 1/10W	R5227	1-216-821-11	METAL CHIP	1K 5% 1/10W
R4951	1-216-295-91	SHORT CHIP	0	R5228	1-216-821-11	METAL CHIP	1K 5% 1/10W
R4952	1-216-821-11	METAL CHIP	1K 5% 1/10W	R5229	1-216-817-11	METAL CHIP	470 5% 1/10W
R4953	1-216-809-11	METAL CHIP	100 5% 1/10W	R5230	1-216-821-11	METAL CHIP	1K 5% 1/10W
R4954	1-216-864-11	SHORT CHIP	0	R5232	1-216-295-11	SHORT CHIP	0
R4955	1-216-864-11	SHORT CHIP	0	R5233	1-216-821-11	METAL CHIP	1K 5% 1/10W
R5002	1-216-864-11	SHORT CHIP	0	R5234	1-216-821-11	METAL CHIP	1K 5% 1/10W
R5100	1-216-864-11	SHORT CHIP	0	R5235	1-216-825-11	METAL CHIP	2.2K 5% 1/10W
R5101	1-216-864-11	SHORT CHIP	0	R5236	1-216-809-11	METAL CHIP	100 5% 1/10W
R5102	1-216-864-11	SHORT CHIP	0	R5237	1-216-825-11	METAL CHIP	2.2K 5% 1/10W
R5103	1-216-864-11	SHORT CHIP	0	R5240	1-216-841-11	METAL CHIP	47K 5% 1/10W
R5104	1-216-864-11	SHORT CHIP	0	R5241	1-216-809-11	METAL CHIP	100 5% 1/10W
R5105	1-216-864-11	SHORT CHIP	0	R5242	1-216-809-11	METAL CHIP	100 5% 1/10W
R5106	1-216-864-11	SHORT CHIP	0	R5243	1-216-841-11	METAL CHIP	47K 5% 1/10W
R5107	1-216-864-11	SHORT CHIP	0	R5246	1-216-821-11	METAL CHIP	1K 5% 1/10W
R5108	1-216-864-11	SHORT CHIP	0	R5248	1-216-821-11	METAL CHIP	1K 5% 1/10W
R5109	1-216-864-11	SHORT CHIP	0	R5249	1-216-815-11	METAL CHIP	330 5% 1/10W
R5110	1-216-864-11	SHORT CHIP	0	R5250	1-216-809-11	METAL CHIP	100 5% 1/10W
R5113	1-216-864-11	SHORT CHIP	0	R5251	1-216-864-11	SHORT CHIP	0
R5114	1-216-864-11	SHORT CHIP	0				
R5115	1-216-864-11	SHORT CHIP	0			< TUNER >	
R5117	1-216-864-11	SHORT CHIP	0	TU4920	8-597-993-00	TUNER, FSS BTF-EF412Z	
R5118	1-216-864-11	SHORT CHIP	0				
R5119	1-216-864-11	SHORT CHIP	0			< VARISTOR >	
R5120	1-216-845-11	METAL CHIP	100K 5% 1/10W	VD4301	1-801-925-21	VARISTOR, CHIP	(1608)
R5122	1-216-864-11	SHORT CHIP	0	VD4302	1-801-925-21	VARISTOR, CHIP	(1608)
R5123	1-216-864-11	SHORT CHIP	0	VD4601	1-803-974-21	VARISTOR, CHIP	(1608)
R5124	1-216-864-11	SHORT CHIP	0	VD4602	1-803-974-21	VARISTOR, CHIP	(1608)
R5132	1-216-864-11	SHORT CHIP	0	VD4603	1-803-974-21	VARISTOR, CHIP	(1608)
R5136	1-216-864-11	SHORT CHIP	0	VD4604	1-801-925-21	VARISTOR, CHIP	(1608)
R5202	1-216-819-11	METAL CHIP	680 5% 1/10W	VD4605	1-801-925-21	VARISTOR, CHIP	(1608)
R5203	1-216-819-11	METAL CHIP	680 5% 1/10W	VD4606	1-803-974-21	VARISTOR, CHIP	(1608)
R5204	1-216-819-11	METAL CHIP	680 5% 1/10W	VD4607	1-803-974-21	VARISTOR, CHIP	(1608)
R5205	1-216-819-11	METAL CHIP	680 5% 1/10W	VD4608	1-803-974-21	VARISTOR, CHIP	(1608)
R5206	1-216-809-11	METAL CHIP	100 5% 1/10W	VD4609	1-803-974-21	VARISTOR, CHIP	(1608)
R5207	1-216-809-11	METAL CHIP	100 5% 1/10W	VD4610	1-803-974-21	VARISTOR, CHIP	(1608)
R5209	1-216-819-11	METAL CHIP	680 5% 1/10W	VD4611	1-803-974-21	VARISTOR, CHIP	(1608)
R5210	1-216-819-11	METAL CHIP	680 5% 1/10W	VD4612	1-803-974-21	VARISTOR, CHIP	(1608)
R5211	1-216-295-91	SHORT CHIP	0	VD4613	1-803-974-21	VARISTOR, CHIP	(1608)
R5212	1-216-821-11	METAL CHIP	1K 5% 1/10W	VD4614	1-803-974-21	VARISTOR, CHIP	(1608)
R5213	1-216-809-11	METAL CHIP	100 5% 1/10W	VD4615	1-803-974-21	VARISTOR, CHIP	(1608)
R5216	1-216-809-11	METAL CHIP	100 5% 1/10W	VD4616	1-803-974-21	VARISTOR, CHIP	(1608)
R5217	1-216-821-11	METAL CHIP	1K 5% 1/10W	VD4617	1-803-974-21	VARISTOR, CHIP	(1608)
R5218	1-216-825-11	METAL CHIP	2.2K 5% 1/10W				
R5219	1-216-825-11	METAL CHIP	2.2K 5% 1/10W				
R5221	1-216-809-11	METAL CHIP	100 5% 1/10W				

REF.NO.	PART.NO	DESCRIPTION	REMARK	REF.NO.	PART.NO	DESCRIPTION	REMARK
< CRYSTAL >							
X4101	1-795-612-11	VIBRATOR, CRYSTAL		C5824	1-164-004-11	CERAMIC CHIP 0.1UF	10.00% 25V
X4102	1-795-219-11	VIBRATOR, CRYSTAL		C5635	1-128-401-11	ELECT CHIP 100UF	20% 25V
X4401	1-767-654-21	VIBRATOR, CRYSTAL		C5636	1-164-004-11	CERAMIC CHIP 0.1UF	10.00% 25V
X4801	1-813-124-21	VIBRATOR, CERAMIC		C5637	1-128-401-11	ELECT CHIP 100UF	20% 25V
X4802	1-813-604-21	VIBRATOR, CERAMIC		C5638	1-164-004-11	CERAMIC CHIP 0.1UF	10.00% 25V
*A-1110-611-B NP1 Board, Complete							
< CAPACITOR >							
C5601	1-125-838-11	CERAMIC CHIP 2.2UF	10% 6.3V	C5701	1-126-204-11	ELECT CHIP 47UF	20.00% 16V
C5602	1-125-838-11	CERAMIC CHIP 2.2UF	10% 6.3V	C5702	1-128-401-11	ELECT CHIP 100UF	20% 25V
C5603	1-164-315-11	CERAMIC CHIP 470PF	5.00% 50V	C5703	1-128-401-11	ELECT CHIP 100UF	20% 25V
C5604	1-162-966-11	CERAMIC CHIP 0.0022UF	10.00% 50V	C5704	1-162-970-11	CERAMIC CHIP 0.01UF	10.00% 25V
C5605	1-127-573-11	CERAMIC CHIP 1UF	10% 16V	C5705	1-107-823-11	CERAMIC CHIP 0.47UF	10.00% 16V
C5606	1-162-927-11	CERAMIC CHIP 100PF	5.00% 50V	C5706	1-162-970-11	CERAMIC CHIP 0.01UF	10.00% 25V
C5607	1-162-969-11	CERAMIC CHIP 0.0068UF	10.00% 25V	C5707	1-162-970-11	CERAMIC CHIP 0.01UF	10.00% 25V
C5608	1-162-965-11	CERAMIC CHIP 0.0015UF	10.00% 50V	C5708	1-162-970-11	CERAMIC CHIP 0.01UF	10.00% 25V
C5609	1-164-004-11	CERAMIC CHIP 0.1UF	10.00% 25V	C5709	1-162-970-11	CERAMIC CHIP 0.01UF	10.00% 25V
C5610	1-127-573-11	CERAMIC CHIP 1UF	10% 16V	C5710	1-162-970-11	CERAMIC CHIP 0.01UF	10.00% 25V
C5611	1-127-573-11	CERAMIC CHIP 1UF	10% 16V	C5712	1-100-566-91	CERAMIC CHIP 0.1UF	10.00% 25V
C5612	1-164-004-11	CERAMIC CHIP 0.1UF	10.00% 25V	C5713	1-100-566-91	CERAMIC CHIP 0.1UF	10.00% 25V
C5613	1-127-573-11	CERAMIC CHIP 1UF	10% 16V	C5714	1-162-923-11	CERAMIC CHIP 47PF	5.00% 50V
C5614	1-125-827-91	CERAMIC CHIP 1UF	10.00% 25V	C5800	1-100-566-91	CERAMIC CHIP 0.1UF	10.00% 25V
C5615	1-125-827-91	CERAMIC CHIP 1UF	10.00% 25V	C5801	1-100-566-91	CERAMIC CHIP 0.1UF	10.00% 25V
C5616	1-100-552-21	ELECT CHIP 10UF	20% 25V	C5802	1-162-970-11	CERAMIC CHIP 0.01UF	10.00% 25V
C5617	1-135-342-21	ELECT CHIP 56UF	20% 10V	C5803	1-100-566-91	CERAMIC CHIP 0.1UF	10.00% 25V
C5618	1-164-004-11	CERAMIC CHIP 0.1UF	10.00% 25V	C5804	1-162-970-11	CERAMIC CHIP 0.01UF	10.00% 25V
C5619	1-135-342-21	ELECT CHIP 56UF	20% 10V	C5806	1-162-970-11	CERAMIC CHIP 0.01UF	10.00% 25V
C5620	1-164-004-11	CERAMIC CHIP 0.1UF	10.00% 25V	C5808	1-162-974-11	CERAMIC CHIP 0.01UF	50V
C5621	1-162-970-11	CERAMIC CHIP 0.01UF	10.00% 25V	C5810	1-162-923-11	CERAMIC CHIP 47PF	5.00% 50V
C5622	1-162-970-11	CERAMIC CHIP 0.01UF	10.00% 25V	C5811	1-162-923-11	CERAMIC CHIP 47PF	5.00% 50V
C5625	1-128-401-11	ELECT CHIP 100UF	20% 25V	C5812	1-100-566-91	CERAMIC CHIP 0.1UF	10.00% 25V
C5626	1-100-566-91	CERAMIC CHIP 0.1UF	10.00% 25V	C5813	1-162-970-11	CERAMIC CHIP 0.01UF	10.00% 25V
C5627	1-100-566-91	CERAMIC CHIP 0.1UF	10.00% 25V	C5816	1-100-566-91	CERAMIC CHIP 0.1UF	10.00% 25V
C5628	1-128-401-11	ELECT CHIP 100UF	20% 25V	C5817	1-162-974-11	CERAMIC CHIP 0.01UF	50V
C5631	1-100-421-21	ELECT CHIP 220UF	20% 6.3V	C5826	1-162-923-11	CERAMIC CHIP 47PF	5.00% 50V
C5632	1-162-969-11	CERAMIC CHIP 0.0068UF	10.00% 25V	C5827	1-162-923-11	CERAMIC CHIP 47PF	5.00% 50V
C5633	1-125-827-91	CERAMIC CHIP 1UF	10.00% 25V	C5828	1-162-923-11	CERAMIC CHIP 47PF	5.00% 50V
C5634	1-100-566-91	CERAMIC CHIP 0.1UF	10.00% 25V	C5829	1-162-923-11	CERAMIC CHIP 47PF	5.00% 50V
C5680	1-128-401-11	ELECT CHIP 100UF	20% 25V	C5830	1-162-923-11	CERAMIC CHIP 47PF	5.00% 50V
C5681	1-100-566-91	CERAMIC CHIP 0.1UF	10.00% 25V	C5876	1-162-923-11	CERAMIC CHIP 47PF	5.00% 50V
C5682	1-100-566-91	CERAMIC CHIP 0.1UF	10.00% 25V	C5877	1-162-923-11	CERAMIC CHIP 47PF	5.00% 50V
C5683	1-128-401-11	ELECT CHIP 100UF	20% 25V	C5878	1-162-923-11	CERAMIC CHIP 47PF	5.00% 50V
C5818	1-100-566-91	CERAMIC CHIP 0.1UF	10.00% 25V	C5879	1-162-923-11	CERAMIC CHIP 47PF	5.00% 50V
C5819	1-162-970-11	CERAMIC CHIP 0.01UF	10.00% 25V	C5880	1-162-923-11	CERAMIC CHIP 47PF	5.00% 50V
C5820	1-100-566-91	CERAMIC CHIP 0.1UF	10.00% 25V	< CONNECTOR >			
C5821	1-162-970-11	CERAMIC CHIP 0.01UF	10.00% 25V	CN5701	1-815-875-21	PIN, CONNECTOR (PC BOARD) (12P)	
C5822	1-100-566-91	CERAMIC CHIP 0.1UF	10.00% 25V	CN5801	1-816-587-21	PIN, CONNECTOR (PC BOARD) 15P	
C5823	1-162-970-11	CERAMIC CHIP 0.01UF	10.00% 25V	CN5802	1-785-728-21	PIN (PC BOARD), CONNECTOR 7P	
				CN5803	1-779-992-11	PIN, CONNECTOR (PWB) 8P	
				CN5804	*1-818-656-21	HEADER ASSEMBLY 30P	
				CN5805	1-794-519-21	PIN, CONNECTOR (PC BOARD) 14P	

Note : The components identified by shading and marked Δ are critical for safety. Replace only with the part numbers specified in the parts list.

NP1

REF.NO.	PART.NO	DESCRIPTION	REMARK	REF.NO.	PART.NO	DESCRIPTION	REMARK
< DIODE >							
D5601	8-719-072-43	DIODE RB050L-40TE25		Q5603	6-550-355-01	TRANSISTOR RTQ045N03TR	
D5603	8-719-069-86	DIODE PTZ-TE25-8.2A		Q5604	8-729-029-14	TRANSISTOR DTC144EUA-T106	
D5630	8-719-056-48	DIODE 1SS388(TPL3)		Q5605	8-729-026-53	TRANSISTOR 2SA1576A-T106-QR	
D5631	8-719-072-43	DIODE RB050L-40TE25		Q5701	8-729-907-00	TRANSISTOR DTC114EU	
D5697	6-500-294-01	DIODE PTZ-TE25-3.9B		Q5702	8-729-907-00	TRANSISTOR DTC114EU	
				< RESISTOR >			
D5698	8-719-073-69	DIODE PTZ-TE25-6.2A		R5601	1-216-841-11	METAL CHIP 47K 5% 1/10W	
D5699	6-500-294-01	DIODE PTZ-TE25-3.9B		R5602	1-216-853-11	METAL CHIP 470K 5% 1/10W	
D5701	8-719-988-61	DIODE 1SS355TE-17		R5603	1-218-867-11	METAL CHIP 6.8K 0.5% 1/10W	
D5702	8-719-988-61	DIODE 1SS355TE-17		R5604	1-216-829-11	METAL CHIP 4.7K 5% 1/10W	
D5703	8-719-988-61	DIODE 1SS355TE-17		R5605	1-216-843-11	METAL CHIP 68K 5% 1/10W	
D5704	8-719-988-61	DIODE 1SS355TE-17		R5606	1-216-837-11	METAL CHIP 22K 5% 1/10W	
D5705	8-719-988-61	DIODE 1SS355TE-17		R5607	1-216-835-11	METAL CHIP 15K 5% 1/10W	
< FERRITE BEAD >							
FB5701	1-469-775-21	FERRITE	0UH	R5611	1-216-837-11	METAL CHIP 22K 5% 1/10W	
FB5801	1-469-775-21	FERRITE	0UH	R5612	1-216-829-11	METAL CHIP 4.7K 5% 1/10W	
FB5805	1-469-775-21	FERRITE	0UH	R5613	1-216-821-11	METAL CHIP 1K 5% 1/10W	
FB5808	1-469-775-21	FERRITE	0UH	R5614	1-216-836-11	METAL CHIP 18K 5% 1/10W	
FB5809	1-469-775-21	FERRITE	0UH	R5615	1-216-864-11	SHORT CHIP 0	
FB5810	1-469-775-21	FERRITE	0UH	R5616	1-216-837-11	METAL CHIP 22K 5% 1/10W	
FB5811	1-469-775-21	FERRITE	0UH	R5617	1-216-864-11	SHORT CHIP 0	
FB5813	1-469-775-21	FERRITE	0UH	R5618	1-216-841-11	METAL CHIP 47K 5% 1/10W	
FB5816	1-469-775-21	FERRITE	0UH	R5619	1-216-864-11	SHORT CHIP 0	
< IC >							
IC5601	6-707-927-01	IC BD9775FV		R5621	1-216-864-11	SHORT CHIP 0	
IC5631	6-707-911-01	IC BD9778HFP		R5622	1-216-864-11	SHORT CHIP 0	
IC5630	6-705-470-01	IC BA70BC0FP-E2		R5623	1-216-835-11	METAL CHIP 15K 5% 1/10W	
IC5701	6-706-862-01	IC NJM2387DL2-TE1		R5624	1-216-864-11	SHORT CHIP 0	
IC5705	8-759-581-11	IC NJM2125F(TE2)		R5625	1-216-864-11	SHORT CHIP 0	
< COIL >							
L5601	1-416-758-21	INDUCTOR	22UH	R5626	1-216-864-11	SHORT CHIP 0	
L5602	1-419-491-21	INDUCTOR	10UH	R5627	1-216-802-11	METAL CHIP 27 5% 1/10W	
L5625	1-419-491-21	INDUCTOR	10UH	R5628	1-216-802-11	METAL CHIP 27 5% 1/10W	
L5630	1-469-555-21	INDUCTOR	10UH	R5629	1-216-802-11	METAL CHIP 27 5% 1/10W	
L5631	1-424-754-21	INDUCTOR	47UH	R5631	1-216-837-11	METAL CHIP 22K 5% 1/10W	
L5680	1-419-491-21	INDUCTOR	10UH	R5632	1-216-845-11	METAL CHIP 100K 5% 1/10W	
L5701	1-419-491-21	INDUCTOR	10UH	R5633	1-216-837-11	METAL CHIP 22K 5% 1/10W	
< PROTECTOR MODULE >							
PS5601	Δ 1-576-736-41	IC LINK	3.15A 24V	R5647	1-216-816-11	METAL CHIP 390 5% 1/10W	
PS5602	Δ 1-576-736-41	IC LINK	3.15A 24V	R5648	1-216-864-11	SHORT CHIP 0	
< TRANSISTOR >							
Q5601	6-550-828-01	TRANSISTOR RSQ035P03TR		R5650	1-216-864-11	SHORT CHIP 0	
Q5602	6-550-828-01	TRANSISTOR RSQ035P03TR		R5652	1-216-864-11	SHORT CHIP 0	
				R5653	1-216-864-11	SHORT CHIP 0	
				R5654	1-216-864-11	SHORT CHIP 0	
				R5655	1-216-864-11	SHORT CHIP 0	
				R5656	1-216-816-11	METAL CHIP 390 5% 1/10W	

REF.NO.	PART.NO	DESCRIPTION	REMARK	REF.NO.	PART.NO	DESCRIPTION	REMARK
R5685	1-216-864-11	SHORT CHIP	0	C101	1-162-974-11	CERAMIC CHIP 0.01UF	50V
R5687	1-216-838-11	METAL CHIP	27K 5% 1/10W	C102	1-162-974-11	CERAMIC CHIP 0.01UF	50V
R5688	1-216-864-11	SHORT CHIP	0	< CONNECTOR >			
R5694	1-216-809-11	METAL CHIP	100 5% 1/10W	CN100	1-580-057-91	PIN, CONNECTOR 4P	
R5695	1-216-809-11	METAL CHIP	100 5% 1/10W	< DIODE >			
R5697	1-216-809-11	METAL CHIP	100 5% 1/10W	D100	8-719-069-60	DIODE UDZSTE-179.1B	
R5701	1-218-871-11	METAL CHIP	10K 0.5% 1/10W	D101	8-719-069-60	DIODE UDZSTE-179.1B	
R5702	1-216-833-11	METAL CHIP	10K 5% 1/10W	D102	8-719-069-60	DIODE UDZSTE-179.1B	
R5703	1-216-821-11	METAL CHIP	1K 5% 1/10W	< RESISTOR >			
R5704	1-218-708-11	METAL CHIP	4.7K 0.5% 1/10W	R100	1-216-864-11	SHORT CHIP	0
R5705	1-218-698-11	METAL CHIP	1.8K 0.5% 1/10W	R101	1-216-813-11	METAL CHIP	220 5% 1/10W
R5706	1-218-719-11	METAL CHIP	13K 0.5% 1/10W	R102	1-216-813-11	METAL CHIP	220 5% 1/10W
R5708	1-216-833-11	METAL CHIP	10K 5% 1/10W	R103	1-216-817-11	METAL CHIP	470 5% 1/10W
R5709	1-216-835-11	METAL CHIP	15K 5% 1/10W	R104	1-218-457-11	METAL CHIP	910 5% 1/10W
R5710	1-216-835-11	METAL CHIP	15K 5% 1/10W	R105	1-216-826-11	METAL CHIP	2.7K 5% 1/10W
R5711	1-216-835-11	METAL CHIP	15K 5% 1/10W	< SWITCH >			
R5712	1-216-835-11	METAL CHIP	15K 5% 1/10W	S100	1-572-595-11	SWITCH, TACTIL (REFLOW TYPE)	
R5718	1-216-809-11	METAL CHIP	100 5% 1/10W	S101	1-572-595-11	SWITCH, TACTIL (REFLOW TYPE)	
R5721	1-216-809-11	METAL CHIP	100 5% 1/10W	S102	1-554-419-00	SWITCH, PUSH (1 KEY)	
R5724	1-216-809-11	METAL CHIP	100 5% 1/10W	S103	1-572-595-11	SWITCH, TACTIL (REFLOW TYPE)	
R5727	1-216-809-11	METAL CHIP	100 5% 1/10W	S104	1-572-595-11	SWITCH, TACTIL (REFLOW TYPE)	
R5730	1-216-809-11	METAL CHIP	100 5% 1/10W	S105	1-572-595-11	SWITCH, TACTIL (REFLOW TYPE)	
R5731	1-216-864-11	SHORT CHIP	0	S106	1-572-595-11	SWITCH, TACTIL (REFLOW TYPE)	
R5732	1-216-864-11	SHORT CHIP	0	S107	1-572-595-11	SWITCH, TACTIL (REFLOW TYPE)	
R5733	1-216-864-11	SHORT CHIP	0	*A-1090-218-A H3 Board, Complete			
R5734	1-216-864-11	SHORT CHIP	0	A001	4-093-398-01	LED HOLDER R2	
R5735	1-216-864-11	SHORT CHIP	0	A002	4-092-870-02	LED HOLDER R1	
R5736	1-216-864-11	SHORT CHIP	0	A003	4-093-398-01	LED HOLDER R2	
R5737	1-216-864-11	SHORT CHIP	0	A004	4-093-398-01	LED HOLDER R2	
R5738	1-216-864-11	SHORT CHIP	0	A005	4-101-331-01	HOLDER (M7), LED	
R5739	1-216-864-11	SHORT CHIP	0	< CAPACITOR >			
R5741	1-216-864-11	SHORT CHIP	0	C300	1-115-566-11	CERAMIC CHIP 4.7UF	10.00% 10V
R5742	1-216-864-11	SHORT CHIP	0	C301	1-164-156-11	CERAMIC CHIP 0.1UF	25V
R5745	1-216-809-11	METAL CHIP	100 5% 1/10W	C302	1-164-156-11	CERAMIC CHIP 0.1UF	25V
R5746	1-216-864-11	SHORT CHIP	0	C304	1-164-156-11	CERAMIC CHIP 0.1UF	25V
R5753	1-216-864-11	SHORT CHIP	0	C305	1-164-156-11	CERAMIC CHIP 0.1UF	25V
R5755	1-216-809-11	METAL CHIP	100 5% 1/10W	< CONNECTOR >			
R5757	1-216-809-11	METAL CHIP	100 5% 1/10W	CN300	1-770-627-21	PIN, CONNECTOR 10P	
R5759	1-216-809-11	METAL CHIP	100 5% 1/10W	CN301	1-580-056-91	PIN, CONNECTOR 3P	
R5767	1-216-864-11	SHORT CHIP	0	< DIODE >			
R5768	1-216-864-11	SHORT CHIP	0	D300	8-719-069-60	DIODE UDZSTE-179.1B	
R5781	1-216-864-11	SHORT CHIP	0				
R5782	1-216-864-11	SHORT CHIP	0				
R5784	1-216-864-11	SHORT CHIP	0				
R5788	1-216-837-11	METAL CHIP	22K 5% 1/10W				

*** A-1090-216-A H1 Board, Complete**

< CAPACITOR >

C100 1-162-974-11 CERAMIC CHIP 0.01UF 50V

Note : The components identified by shading and marked Δ are critical for safety. Replace only with the part numbers specified in the parts list.

H3 H4 H5 G3L

REF.NO.	PART.NO	DESCRIPTION	REMARK	REF.NO.	PART.NO	DESCRIPTION	REMARK
D302	8-719-069-60	DIODE UDZSTE-179.1B		Q406	8-729-907-00	TRANSISTOR DTC114EU	
D304	8-719-069-60	DIODE UDZSTE-179.1B				< RESISTOR >	
D305	8-719-069-60	DIODE UDZSTE-179.1B		R400	1-216-809-11	METAL CHIP 100 5%	1/10W
D306	8-719-069-60	DIODE UDZSTE-179.1B		R402	1-216-809-11	METAL CHIP 100 5%	1/10W
D307	6-500-943-11	DIODE SELU1910CXM-S		R404	1-216-809-11	METAL CHIP 100 5%	1/10W
D308	6-501-314-01	DIODE SELUID10CXM-OE		R406	1-216-809-11	METAL CHIP 100 5%	1/10W
D309	8-719-081-23	DIODE L-53SRD-H-F01		*A-1090-220-A H5 Board, Complete			
D310	6-501-314-01	DIODE SELUID10CXM-OE				< CAPACITOR >	
		< TRANSISTOR >		C500	1-117-137-11	ELECT CHIP 33UF	20.00% 10V
Q301	8-729-028-73	TRANSISTOR DTA114EUA-T106		C501	1-125-891-11	CERAMIC CHIP 0.47UF	10.00% 10V
Q303	8-729-907-00	TRANSISTOR DTC114EU		C502	1-164-230-11	CERAMIC CHIP 220PF	5.00% 50V
Q304	8-729-907-00	TRANSISTOR DTC114EU				< CONNECTOR >	
Q305	8-729-907-00	TRANSISTOR DTC114EU		CN500	1-691-550-91	PIN, CONNECTOR 3P	
Q306	8-729-028-73	TRANSISTOR DTA114EUA-T106				< DIODE >	
Q307	8-729-907-00	TRANSISTOR DTC114EU		D500	8-719-069-60	DIODE UDZSTE-179.1B	
		< RESISTOR >		D501	8-719-069-60	DIODE UDZSTE-179.1B	
R300	1-216-833-11	METAL CHIP 10K 5%	1/10W			< IC >	
R301	1-216-864-11	SHORT CHIP 0		IC500	6-600-389-01	IC GP1UM26SRK1F	
R302	1-216-864-11	SHORT CHIP 0				< RESISTOR >	
R304	1-216-824-11	METAL CHIP 1.8K 5%	1/10W	R500	1-216-805-11	METAL CHIP 47 5%	1/10W
R305	1-216-864-11	SHORT CHIP 0		R501	1-216-817-11	METAL CHIP 470 5%	1/10W
R306	1-216-832-11	METAL CHIP 8.2K 5%	1/10W	*A-1142-496-A G3L Board, Complete			
R309	1-216-823-11	METAL CHIP 1.5K 5%	1/10W			4-382-854-11	SCREW (M3X10), P, SW (+)
R312	1-216-864-11	SHORT CHIP 0				*7-322-065-48	RUBBER, SILICONE RTV (KE-3490)
R313	1-218-867-11	METAL CHIP 6.8K 0.5%	1/10W				< CAPACITOR >
R314	1-216-833-11	METAL CHIP 10K 5%	1/10W	C6002	Δ 1-165-531-11	MYLAR 1UF	10 275V
R316	1-216-833-11	METAL CHIP 10K 5%	1/10W	C6004	Δ 1-165-529-31	MYLAR 0.22UF	10 0V
R318	1-216-833-11	METAL CHIP 10K 5%	1/10W	C6005	Δ 1-119-886-51	CERAMIC 470PF	10.00% 250V
*A-1090-219-A H4 Board, Complete				C6006	Δ 1-119-886-51	CERAMIC 470PF	10.00% 250V
		< CAPACITOR >		C6102	1-104-760-11	CERAMIC CHIP 0.047UF	10.00% 50V
C400	1-126-395-11	ELECT CHIP 22UF	20.00% 16V	C6103	Δ 1-115-350-51	CERAMIC 0.0047UF	2KV
		< CONNECTOR >		C6104	Δ 1-115-350-51	CERAMIC 0.0047UF	2KV
CN400	1-580-056-91	PIN, CONNECTOR 3P		C6106	1-115-339-11	CERAMIC CHIP 0.1UF	10.00% 50V
		< DIODE >		C6107	1-107-823-11	CERAMIC CHIP 0.47UF	10.00% 16V
D407	6-501-198-01	DIODE NSPW500BS-A0-M		C6108	Δ 1-115-350-51	CERAMIC 0.0047UF	2KV
D409	6-501-198-01	DIODE NSPW500BS-A0-M		C6109	Δ 1-115-350-51	CERAMIC 0.0047UF	2KV
D411	6-501-198-01	DIODE NSPW500BS-A0-M		C6110	Δ 1-165-531-11	MYLAR 1UF	10 275V
D413	6-501-198-01	DIODE NSPW500BS-A0-M		C6113	1-112-024-21	MYLAR 1UF	10% 450V
		< TRANSISTOR >		C6114	1-162-927-11	CERAMIC CHIP 100PF	5.00% 50V
Q400	8-729-907-00	TRANSISTOR DTC114EU		C6115	1-112-188-11	MYLAR 1.5UF	5% 450V
Q402	8-729-907-00	TRANSISTOR DTC114EU					
Q404	8-729-907-00	TRANSISTOR DTC114EU					

Note : The components identified by shading and marked Δ are critical for safety. Replace only with the part numbers specified in the parts list.

G3L

REF.NO.	PART.NO	DESCRIPTION	REMARK	REF.NO.	PART.NO	DESCRIPTION	REMARK
C6116	1-162-964-11	CERAMIC CHIP 0.001UF	10.00% 50V	C6429	1-163-021-91	CERAMIC CHIP 0.01UF	10.00% 50V
C6117	1-163-021-91	CERAMIC CHIP 0.01UF	10.00% 50V	C6430	1-107-905-11	ELECT 4.7UF	20% 50V
C6118	1-162-962-11	CERAMIC CHIP 470PF	10.00% 50V	C6431	1-107-888-11	ELECT 47UF	20% 25V
C6119	1-119-886-51	CERAMIC 470PF	10.00% 250V	C6432	1-107-905-11	ELECT 4.7UF	20% 50V
C6120	1-128-526-11	ELECT 100UF	20% 25V	C6433	1-162-970-11	CERAMIC CHIP 0.01UF	10.00% 25V
C6121	1-163-037-11	CERAMIC CHIP 0.022UF	10.00% 50V	C6434	1-107-902-11	ELECT 1UF	20% 50V
C6122	1-107-889-11	ELECT 220UF	20% 25V	C6435	1-162-970-11	CERAMIC CHIP 0.01UF	10.00% 25V
C6123	1-115-339-11	CERAMIC CHIP 0.1UF	10.00% 50V	C6436	1-107-910-11	ELECT 100UF	20% 50V
C6124	1-163-021-91	CERAMIC CHIP 0.01UF	10.00% 50V	C6437	1-162-970-11	CERAMIC CHIP 0.01UF	10.00% 25V
C6125	1-115-339-11	CERAMIC CHIP 0.1UF	10.00% 50V	C6439	1-162-970-11	CERAMIC CHIP 0.01UF	10.00% 25V
C6126	1-115-416-11	CERAMIC CHIP 0.001UF	5.00% 25V	C6470	1-162-970-11	CERAMIC CHIP 0.01UF	10.00% 25V
C6127	1-104-760-11	CERAMIC CHIP 0.047UF	10.00% 50V	C6471	1-162-970-11	CERAMIC CHIP 0.01UF	10.00% 25V
C6128	1-100-613-81	CERAMIC 470PF	5% 1KV	C6472	1-162-964-11	CERAMIC CHIP 0.001UF	10.00% 50V
C6129	1-100-613-81	CERAMIC 470PF	5% 1KV	C6474	1-107-826-11	CERAMIC CHIP 0.1UF	10.00% 16V
C6130	1-163-145-00	CERAMIC CHIP 0.0015UF	5.00% 50V	C6500	1-117-227-11	MYLAR 1UF	10% 450V
C6131	1-100-613-81	CERAMIC 470PF	5% 1KV	C6501	1-162-970-11	CERAMIC CHIP 0.01UF	10.00% 25V
C6132	1-100-613-81	CERAMIC 470PF	5% 1KV	C6502	1-107-905-11	ELECT 4.7UF	20% 50V
C6133	1-135-361-11	ELECT 180UF	20% 450V	C6503	1-107-909-11	ELECT 47UF	20% 50V
C6134	1-135-361-11	ELECT 180UF	20% 450V	C6504	1-162-970-11	CERAMIC CHIP 0.01UF	10.00% 25V
C6135	1-135-361-11	ELECT 180UF	20% 450V	C6505	1-100-831-91	CERAMIC CHIP 0.001UF	2% 50V
C6136	1-162-964-11	CERAMIC CHIP 0.001UF	10.00% 50V	C6506	1-107-906-11	ELECT 10UF	20% 50V
C6137	1-163-021-91	CERAMIC CHIP 0.01UF	10.00% 50V	C6508	1-162-970-11	CERAMIC CHIP 0.01UF	10.00% 25V
C6139	1-107-903-11	ELECT 2.2UF	20% 50V	C6509	1-136-169-00	FILM 0.22UF	5.00% 50V
C6140	1-112-188-11	MYLAR 1.5UF	5% 450V	C6510	1-107-888-11	ELECT 47UF	20% 25V
C6300	Δ 1-115-350-51	CERAMIC 0.0047UF	2KV	C6511	1-107-824-11	CERAMIC 220PF	5.00% 1KV
C6301	Δ 1-115-350-51	CERAMIC 0.0047UF	2KV	C6512	1-107-824-11	CERAMIC 220PF	5.00% 1KV
C6304	1-107-680-91	ELECT 22UF	20.00% 450V	C6513	1-165-953-11	FILM 47000PF	3% 800V
C6305	1-107-974-11	CERAMIC 47PF	5.00% 2KV	C6600	1-162-970-11	CERAMIC CHIP 0.01UF	10.00% 25V
C6306	1-107-905-11	ELECT 4.7UF	20% 50V	C6602	1-131-969-11	ELECT 1800UF	20% 25V
C6307	1-101-821-00	CERAMIC 0.0022UF	500V	C6603	1-131-969-11	ELECT 1800UF	20% 25V
C6308	1-107-903-11	ELECT 2.2UF	20% 50V	C6604	1-131-969-11	ELECT 1800UF	20% 25V
C6309	1-162-964-11	CERAMIC CHIP 0.001UF	10.00% 50V	C6607	1-162-964-11	CERAMIC CHIP 0.001UF	10.00% 50V
C6312	1-107-910-11	ELECT 100UF	20% 50V	C6608	1-162-964-11	CERAMIC CHIP 0.001UF	10.00% 50V
C6313	1-107-826-11	CERAMIC CHIP 0.1UF	10.00% 16V	C6609	1-162-964-11	CERAMIC CHIP 0.001UF	10.00% 50V
C6314	1-119-886-51	CERAMIC 470PF	10.00% 250V	C6700	1-137-639-21	MYLAR 0.47UF	10% 450V
C6316	1-128-949-31	ELECT 470UF	20% 16V	C6701	1-162-970-11	CERAMIC CHIP 0.01UF	10.00% 25V
C6317	1-107-826-11	CERAMIC CHIP 0.1UF	10.00% 16V	C6702	1-107-905-11	ELECT 4.7UF	20% 50V
C6318	1-128-526-11	ELECT 100UF	20% 25V	C6704	1-107-909-11	ELECT 47UF	20% 50V
C6320	1-162-964-11	CERAMIC CHIP 0.001UF	10.00% 50V	C6705	1-100-831-91	CERAMIC CHIP 0.001UF	2% 50V
C6321	1-162-964-11	CERAMIC CHIP 0.001UF	10.00% 50V	C6706	1-107-906-11	ELECT 10UF	20% 50V
C6400	1-162-970-11	CERAMIC CHIP 0.01UF	10.00% 25V	C6707	1-115-339-11	CERAMIC CHIP 0.1UF	10.00% 50V
C6420	1-163-037-11	CERAMIC CHIP 0.022UF	10.00% 50V	C6708	1-162-964-11	CERAMIC CHIP 0.001UF	10.00% 50V
C6421	1-107-906-11	ELECT 10UF	20% 50V	C6709	1-136-169-00	FILM 0.22UF	5.00% 50V
C6422	1-163-037-11	CERAMIC CHIP 0.022UF	10.00% 50V	C6710	1-162-970-11	CERAMIC CHIP 0.01UF	10.00% 25V
C6423	1-162-970-11	CERAMIC CHIP 0.01UF	10.00% 25V	C6713	1-107-888-11	ELECT 47UF	20% 25V
C6424	1-162-964-11	CERAMIC CHIP 0.001UF	10.00% 50V	C6714	1-107-910-11	ELECT 100UF	20% 50V
C6425	1-163-021-91	CERAMIC CHIP 0.01UF	10.00% 50V	C6715	1-107-824-11	CERAMIC 220PF	5.00% 1KV
C6426	1-162-970-11	CERAMIC CHIP 0.01UF	10.00% 25V	C6716	1-107-824-11	CERAMIC 220PF	5.00% 1KV
C6427	1-162-964-11	CERAMIC CHIP 0.001UF	10.00% 50V	C6717	1-100-919-11	FILM 0.027UF	3% 1KV
C6428	1-163-021-91	CERAMIC CHIP 0.01UF	10.00% 50V	C6800	1-126-967-11	ELECT 47UF	20.00% 50V

Note : The components identified by shading and marked Δ are critical for safety. Replace only with the part numbers specified in the parts list.

G3L

REF.NO.	PART.NO	DESCRIPTION	REMARK	REF.NO.	PART.NO	DESCRIPTION	REMARK
C6801	1-128-582-11	ELECT	10UF 20.00% 100V	D6474	8-719-082-04	DIODE MM3Z22VT1	
C6802	1-165-176-11	CERAMIC CHIP	0.047UF 10.00% 16V	D6475	8-719-081-97	DIODE MMDL914T1	
C6803	1-128-959-31	ELECT	1000UF 20% 35V	D6500	8-719-082-03	DIODE MM3Z15VT1	
C6804	1-128-959-31	ELECT	1000UF 20% 35V	D6501	8-719-082-03	DIODE MM3Z15VT1	
C6805	1-131-970-11	ELECT	1500UF 20% 25V	D6502	8-719-082-03	DIODE MM3Z15VT1	
C6806	1-128-951-31	ELECT	2200UF 20% 16V	D6503	8-719-979-64	DIODE UF4005/23	
C6807	1-128-951-31	ELECT	2200UF 20% 16V	D6504	6-501-043-01	DIODE UMZ16NT106	
C6809	1-107-928-11	ELECT	4.7UF 20% 100V	D6505	6-501-043-01	DIODE UMZ16NT106	
C6811	1-162-964-11	CERAMIC CHIP	0.001UF 10.00% 50V	D6506	8-719-080-69	DIODE M1FS4-4063	
				D6507	8-719-080-69	DIODE M1FS4-4063	
< CONNECTOR >							
CN6001	Δ *1-691-960-11	PIN, CONNECTOR (PC BOARD)	3P	D6508	8-719-082-03	DIODE MM3Z15VT1	
CN6200	1-794-519-21	PIN, CONNECTOR (PC BOARD)	14P	D6509	8-719-080-69	DIODE M1FS4-4063	
CN6201	1-764-177-91	PIN, CONNECTOR	7P	D6600	8-719-510-41	DIODE D10SC9M	
CN6202	1-816-296-21	PIN, CONNECTOR (PC BOARD)	9P	D6601	8-719-510-41	DIODE D10SC9M	
CN6203	*1-766-175-11	PIN, CONNECTOR (PC BOARD)	5P	D6602	8-719-510-41	DIODE D10SC9M	
CN6204	1-779-992-11	PIN, CONNECTOR (PWB)	8P	D6603	8-719-510-41	DIODE D10SC9M	
				D6604	8-719-079-29	DIODE PTZ-TE25-22B	
< DIODE >				D6700	8-719-081-97	DIODE MMDL914T1	
D6001	8-719-081-97	DIODE MMDL914T1		D6701	8-719-082-03	DIODE MM3Z15VT1	
D6100	Δ 8-719-304-63	DIODE RM11C		D6702	8-719-082-03	DIODE MM3Z15VT1	
D6102	8-719-081-97	DIODE MMDL914T1		D6703	8-719-081-97	DIODE MMDL914T1	
D6103	8-719-978-33	DIODE DTZ-TT11-6.8B		D6704	8-719-082-03	DIODE MM3Z15VT1	
D6104	8-719-054-89	DIODE D15XB60		D6705	8-719-979-64	DIODE UF4005/23	
D6105	8-719-081-97	DIODE MMDL914T1		D6706	6-501-043-01	DIODE UMZ16NT106	
D6106	6-500-137-01	DIODE BAT54HT1		D6707	6-501-043-01	DIODE UMZ16NT106	
D6107	Δ 8-719-304-63	DIODE RM11C		D6709	6-500-567-31	DIODE 10ERB20-TB3	
D6108	6-500-254-01	DIODE MM3Z7V5T1		D6710	8-719-080-69	DIODE M1FS4-4063	
D6109	6-500-137-01	DIODE BAT54HT1		D6711	8-719-080-69	DIODE M1FS4-4063	
D6110	6-500-137-01	DIODE BAT54HT1		D6712	8-719-082-03	DIODE MM3Z15VT1	
D6111	8-719-041-97	DIODE MA113-(TX)		D6713	8-719-080-69	DIODE M1FS4-4063	
D6112	8-719-041-97	DIODE MA113-(TX)		D6800	8-719-041-97	DIODE MA113-(TX)	
D6113	6-501-043-01	DIODE UMZ16NT106		D6801	8-719-510-13	DIODE D10SC4MR	
D6114	6-501-043-01	DIODE UMZ16NT106		D6802	8-719-060-25	DIODE FCQ30A06	
D6115	6-501-043-01	DIODE UMZ16NT106		D6803	8-719-063-73	DIODE D1NL20U-TR	
D6117	8-719-304-63	DIODE RM11C		D6804	8-719-052-37	DIODE F10P04Q	
D6118	6-500-407-01	DIODE SF20L60U-4015		D6805	8-719-063-73	DIODE D1NL20U-TR	
D6121	8-719-041-97	DIODE MA113-(TX)		D6806	8-719-060-25	DIODE FCQ30A06	
D6122	Δ 6-500-849-01	DIODE ERA22-08KFLB		D6807	8-719-510-41	DIODE D10SC9M	
D6123	Δ 6-500-849-01	DIODE ERA22-08KFLB		D6808	8-719-983-37	DIODE MTZJ-T-77-36A	
D6300	8-719-077-76	DIODE D2SB60A-F04		D6903	6-500-567-31	DIODE 10ERB20-TB3	
D6301	8-719-948-45	DIODE ERA22-08		D6904	6-500-567-31	DIODE 10ERB20-TB3	
D6302	8-719-069-55	DIODE UDZSTE-175.6B		D6905	6-500-567-31	DIODE 10ERB20-TB3	
D6401	8-719-081-97	DIODE MMDL914T1		< FUSE >			
D6402	8-719-036-65	DIODE RD2.0SB-T1		F6001	Δ 1-576-233-51	FUSE 6.3A 250V	
D6420	8-719-081-97	DIODE MMDL914T1		FH6001	Δ 1-533-223-11	FUSE HOLDER	
D6421	8-719-059-51	DIODE MA3J142E0LSO		FH6002	Δ 1-533-223-11	FUSE HOLDER	
D6422	8-719-083-63	DIODE UDZSTE-1713B					
D6423	8-719-081-97	DIODE MMDL914T1					

Note : The components identified by shading and marked Δ are critical for safety. Replace only with the part numbers specified in the parts list.

G3L

REF.NO.	PART.NO	DESCRIPTION	REMARK	REF.NO.	PART.NO	DESCRIPTION	REMARK
< FERRITE BEAD >							
FB6500	1-410-397-21	FERRITE	1.1UH	Q6420	8-729-026-53	TRANSISTOR 2SA1576A-T106-QR	
FB6501	1-410-397-21	FERRITE	1.1UH	Q6421	8-729-905-35	TRANSISTOR 2SC4081-R	
< IC >				Q6422	8-729-905-35	TRANSISTOR 2SC4081-R	
IC6100	6-703-132-01	IC UC3854BN		Q6423	8-729-905-35	TRANSISTOR 2SC4081-R	
IC6101	8-759-682-42	IC MM1431ATT		Q6424	8-729-905-35	TRANSISTOR 2SC4081-R	
IC6300	6-600-279-01	IC STR-A6169		Q6425	8-729-026-53	TRANSISTOR 2SA1576A-T106-QR	
IC6301	8-759-682-42	IC MM1431ATT		Q6426	8-729-907-00	TRANSISTOR DTC114EU	
IC6420	8-759-058-50	IC XRA10324AF		Q6427	8-729-905-35	TRANSISTOR 2SC4081-R	
IC6421	6-704-924-01	IC PQ12DZ5UJ00H		Q6428	8-729-026-53	TRANSISTOR 2SA1576A-T106-QR	
IC6422	8-759-682-42	IC MM1431ATT		Q6429	8-729-026-53	TRANSISTOR 2SA1576A-T106-QR	
IC6500	6-706-852-01	IC CXD9841M		Q6430	8-729-804-41	TRANSISTOR 2SB1122-S	
IC6600	8-759-682-42	IC MM1431ATT		Q6431	8-729-907-00	TRANSISTOR DTC114EU	
IC6700	6-706-852-01	IC CXD9841M		Q6470	8-729-026-53	TRANSISTOR 2SA1576A-T106-QR	
IC6800	8-759-682-42	IC MM1431ATT		Q6471	8-729-905-35	TRANSISTOR 2SC4081-R	
< COIL >				Q6500	6-550-526-11	TRANSISTOR 2SK2842 (LBS2SONY)	
L6002	Δ 1-456-856-21	LINE FILTER COIL		Q6501	6-550-526-11	TRANSISTOR 2SK2842 (LBS2SONY)	
L6101	1-456-917-11	INDUCTOR	170UH	Q6700	6-550-526-11	TRANSISTOR 2SK2842 (LBS2SONY)	
L6102	1-456-854-11	INDUCTOR	58UH	Q6701	6-550-526-11	TRANSISTOR 2SK2842 (LBS2SONY)	
L6104	1-456-854-11	INDUCTOR	58UH	Q6800	8-729-140-96	TRANSISTOR 2SD774-34	
L6300	1-412-537-31	INDUCTOR	100UH	< RESISTOR >			
L6500	1-406-665-11	INDUCTOR	100UH	R6001	Δ 1-247-289-00	METAL 8.2M 5% 1W	
L6601	1-406-971-21	INDUCTOR	10UH	R6002	Δ 1-240-938-91	METAL 1.5M 5% 0.5W	
L6602	1-406-971-21	INDUCTOR	10UH	R6003	1-216-864-11	SHORT CHIP 0	
L6603	1-406-971-21	INDUCTOR	10UH	R6004	Δ 1-202-962-11	CEMENTED 3.3 5% 10W	
L6700	1-406-667-11	INDUCTOR	220UH	R6005	Δ 1-217-781-31	FUSIBLE 2.2 5% 5W	
L6800	1-406-971-21	INDUCTOR	10UH	R6006	Δ 1-202-962-11	CEMENTED 3.3 5% 10W	
L6801	1-406-971-21	INDUCTOR	10UH	R6007	Δ 1-240-938-91	METAL 1.5M 5% 0.5W	
< PHOTOCOUPLER >				R6101	1-216-857-11	METAL CHIP 1M 5% 1/10W	
PH6300	Δ 6-600-187-01	PHOTO COUPLER PC123Y22J00F		R6103	1-218-903-11	METAL CHIP 220K 0.5% 1/10W	
PH6420	Δ 6-600-187-01	PHOTO COUPLER PC123Y22J00F		R6104	1-245-474-21	METAL 330K 1% 1/4W	
PH6421	Δ 6-600-187-01	PHOTO COUPLER PC123Y22J00F		R6105	1-245-474-21	METAL 330K 1% 1/4W	
PH6474	Δ 6-600-187-01	PHOTO COUPLER PC123Y22J00F		R6106	1-208-830-11	METAL CHIP 100K 0.5% 1/10W	
PH6500	Δ 6-600-187-01	PHOTO COUPLER PC123Y22J00F		R6107	1-245-474-21	METAL 330K 1% 1/4W	
PH6700	Δ 6-600-187-01	PHOTO COUPLER PC123Y22J00F		R6108	1-245-474-21	METAL 330K 1% 1/4W	
< TRANSISTOR >				R6109	1-208-830-11	METAL CHIP 100K 0.5% 1/10W	
Q6101	8-729-907-00	TRANSISTOR DTC114EU		R6110	1-218-895-11	METAL CHIP 100K 0.5% 1/10W	
Q6102	8-729-820-86	TRANSISTOR 2SB1121-ST		R6111	1-218-877-11	METAL CHIP 18K 0.5% 1/10W	
Q6103	8-729-905-35	TRANSISTOR 2SC4081-R		R6112	1-245-474-21	METAL 330K 1% 1/4W	
Q6104	8-729-807-17	TRANSISTOR 2SD1621-S		R6113	1-245-474-21	METAL 330K 1% 1/4W	
Q6105	6-550-372-01	TRANSISTOR SPA20N60C3E8152		R6114	1-208-830-11	METAL CHIP 100K 0.5% 1/10W	
Q6106	6-550-372-01	TRANSISTOR SPA20N60C3E8152		R6115	1-216-825-11	METAL CHIP 2.2K 5% 1/10W	
Q6107	6-550-372-01	TRANSISTOR SPA20N60C3E8152		R6116	1-218-845-11	METAL CHIP 820 0.5% 1/10W	
Q6400	8-729-023-22	TRANSISTOR 2SD2114K		R6117	1-216-835-11	METAL CHIP 15K 5% 1/10W	
				R6118	1-216-830-11	METAL CHIP 5.6K 5% 1/10W	
				R6119	1-216-857-11	METAL CHIP 1M 5% 1/10W	
				R6120	1-216-837-11	METAL CHIP 22K 5% 1/10W	
				R6122	1-243-665-11	METAL 0.05 5% 5W	
				R6123	1-243-665-11	METAL 0.05 5% 5W	
				R6124	1-249-393-11	CARBON 10 5% 1/4W	

REF.NO.	PART.NO	DESCRIPTION	REMARK	REF.NO.	PART.NO	DESCRIPTION	REMARK
R6125	1-216-801-11	METAL CHIP	22 5% 1/10W	R6308	1-216-809-11	METAL CHIP	100 5% 1/10W
R6126	1-216-825-11	METAL CHIP	2.2K 5% 1/10W	R6309	1-218-871-11	METAL CHIP	10K 0.5% 1/10W
R6127	1-249-393-11	CARBON	10 5% 1/4W	R6310	1-216-864-11	SHORT CHIP	0
R6128	1-216-837-11	METAL CHIP	22K 5% 1/10W	R6311	1-218-871-11	METAL CHIP	10K 0.5% 1/10W
R6129	1-216-833-11	METAL CHIP	10K 5% 1/10W	R6401	1-216-835-11	METAL CHIP	15K 5% 1/10W
R6130	1-216-801-11	METAL CHIP	22 5% 1/10W	R6421	1-216-845-11	METAL CHIP	100K 5% 1/10W
R6131	1-216-833-11	METAL CHIP	10K 5% 1/10W	R6422	1-216-837-11	METAL CHIP	22K 5% 1/10W
R6132	1-249-393-11	CARBON	10 5% 1/4W	R6423	1-216-833-11	METAL CHIP	10K 5% 1/10W
R6133	1-249-401-11	CARBON	47 5% 1/4W	R6424	1-216-821-11	METAL CHIP	1K 5% 1/10W
R6134	1-249-393-11	CARBON	10 5% 1/4W	R6425	1-216-841-11	METAL CHIP	47K 5% 1/10W
R6135	1-216-837-11	METAL CHIP	22K 5% 1/10W	R6426	1-216-833-11	METAL CHIP	10K 5% 1/10W
R6136	1-216-833-11	METAL CHIP	10K 5% 1/10W	R6427	1-216-833-11	METAL CHIP	10K 5% 1/10W
R6137	1-216-849-11	METAL CHIP	220K 5% 1/10W	R6428	1-208-830-11	METAL CHIP	100K 0.5% 1/10W
R6138	1-216-829-11	METAL CHIP	4.7K 5% 1/10W	R6429	1-208-830-11	METAL CHIP	100K 0.5% 1/10W
R6139	1-216-837-11	METAL CHIP	22K 5% 1/10W	R6430	1-208-830-11	METAL CHIP	100K 0.5% 1/10W
R6140	1-216-829-11	METAL CHIP	4.7K 5% 1/10W	R6431	1-208-830-11	METAL CHIP	100K 0.5% 1/10W
R6141	1-216-833-11	METAL CHIP	10K 5% 1/10W	R6432	1-208-830-11	METAL CHIP	100K 0.5% 1/10W
R6142	1-208-830-11	METAL CHIP	100K 0.5% 1/10W	R6433	1-216-835-11	METAL CHIP	15K 5% 1/10W
R6143	1-208-830-11	METAL CHIP	100K 0.5% 1/10W	R6434	1-208-830-11	METAL CHIP	100K 0.5% 1/10W
R6144	1-208-830-11	METAL CHIP	100K 0.5% 1/10W	R6435	1-216-837-11	METAL CHIP	22K 5% 1/10W
R6145	1-208-830-11	METAL CHIP	100K 0.5% 1/10W	R6436	1-216-847-11	METAL CHIP	150K 5% 1/10W
R6146	1-208-830-11	METAL CHIP	100K 0.5% 1/10W	R6437	1-216-833-11	METAL CHIP	10K 5% 1/10W
R6147	1-208-830-11	METAL CHIP	100K 0.5% 1/10W	R6438	1-208-830-11	METAL CHIP	100K 0.5% 1/10W
R6148	1-208-830-11	METAL CHIP	100K 0.5% 1/10W	R6439	1-216-821-11	METAL CHIP	1K 5% 1/10W
R6149	1-208-830-11	METAL CHIP	100K 0.5% 1/10W	R6440	1-216-821-11	METAL CHIP	1K 5% 1/10W
R6150	1-208-830-11	METAL CHIP	100K 0.5% 1/10W	R6441	1-216-841-11	METAL CHIP	47K 5% 1/10W
R6151	1-218-869-11	METAL CHIP	8.2K 0.5% 1/10W	R6442	1-208-830-11	METAL CHIP	100K 0.5% 1/10W
R6152	1-218-851-11	METAL CHIP	1.5K 0.5% 1/10W	R6443	1-216-821-11	METAL CHIP	1K 5% 1/10W
R6153	1-218-867-11	METAL CHIP	6.8K 0.5% 1/10W	R6444	1-216-833-11	METAL CHIP	10K 5% 1/10W
R6154	1-216-835-11	METAL CHIP	15K 5% 1/10W	R6445	1-208-830-11	METAL CHIP	100K 0.5% 1/10W
R6155	1-215-882-00	METAL OXIDE	22 5% 2W	R6446	1-216-829-11	METAL CHIP	4.7K 5% 1/10W
R6156	1-215-882-00	METAL OXIDE	22 5% 2W	R6447	1-216-829-11	METAL CHIP	4.7K 5% 1/10W
R6157	1-216-833-11	METAL CHIP	10K 5% 1/10W	R6448	1-216-821-11	METAL CHIP	1K 5% 1/10W
R6158	1-216-801-11	METAL CHIP	22 5% 1/10W	R6449	1-216-841-11	METAL CHIP	47K 5% 1/10W
R6159	1-249-393-11	CARBON	10 5% 1/4W	R6450	1-216-849-11	METAL CHIP	220K 5% 1/10W
R6160	1-216-857-11	METAL CHIP	1M 5% 1/10W	R6451	1-216-797-11	METAL CHIP	10 5% 1/10W
R6161	1-216-857-11	METAL CHIP	1M 5% 1/10W	R6452	1-216-833-11	METAL CHIP	10K 5% 1/10W
R6162	1-216-842-11	METAL CHIP	56K 5% 1/10W	R6453	1-216-829-11	METAL CHIP	4.7K 5% 1/10W
R6167	1-218-823-11	METAL CHIP	100 0.5% 1/10W	R6454	1-216-829-11	METAL CHIP	4.7K 5% 1/10W
R6168	1-208-832-11	METAL CHIP	120K 0.5% 1/10W	R6455	1-216-833-11	METAL CHIP	10K 5% 1/10W
R6169	1-208-832-11	METAL CHIP	120K 0.5% 1/10W	R6456	1-218-853-11	METAL CHIP	1.8K 0.5% 1/10W
R6170	1-208-832-11	METAL CHIP	120K 0.5% 1/10W	R6457	1-218-831-11	METAL CHIP	220 0.5% 1/10W
R6300	1-216-353-00	METAL OXIDE	2.2 5% 1W	R6458	1-218-863-11	METAL CHIP	4.7K 0.5% 1/10W
R6301	1-249-381-11	CARBON	1 5% 1/4W	R6459	1-216-833-11	METAL CHIP	10K 5% 1/10W
R6302	1-243-725-71	METAL OXIDE	100K 5% 1W	R6460	1-216-841-11	METAL CHIP	47K 5% 1/10W
R6303	1-216-864-11	SHORT CHIP	0	R6461	1-216-833-11	METAL CHIP	10K 5% 1/10W
R6304	1-249-393-11	CARBON	10 5% 1/4W	R6462	1-216-833-11	METAL CHIP	10K 5% 1/10W
R6305	1-249-393-11	CARBON	10 5% 1/4W	R6463	1-216-841-11	METAL CHIP	47K 5% 1/10W
R6306	1-216-821-11	METAL CHIP	1K 5% 1/10W	R6464	1-216-833-11	METAL CHIP	10K 5% 1/10W
R6307	1-216-817-11	METAL CHIP	470 5% 1/10W	R6465	1-249-393-11	CARBON	10 5% 1/4W

Note : The components identified by shading and marked Δ are critical for safety. Replace only with the part numbers specified in the parts list.

G3L

REF.NO.	PART.NO	DESCRIPTION	REMARK	REF.NO.	PART.NO	DESCRIPTION	REMARK
R6466	1-216-837-11	METAL CHIP	22K 5% 1/10W	R6703	1-208-840-11	METAL CHIP	270K 0.5% 1/10W
R6467	1-216-833-11	METAL CHIP	10K 5% 1/10W	R6704	1-208-840-11	METAL CHIP	270K 0.5% 1/10W
R6468	1-216-817-11	METAL CHIP	470 5% 1/10W	R6705	1-218-877-11	METAL CHIP	18K 0.5% 1/10W
R6469	1-216-823-11	METAL CHIP	1.5K 5% 1/10W	R6706	1-216-821-11	METAL CHIP	1K 5% 1/10W
R6470	1-216-821-11	METAL CHIP	1K 5% 1/10W	R6707	1-218-823-11	METAL CHIP	100 0.5% 1/10W
R6471	1-216-833-11	METAL CHIP	10K 5% 1/10W	R6709 Δ	1-212-865-00	FUSIBLE	22 5% 1/4W
R6472	1-216-833-11	METAL CHIP	10K 5% 1/10W	R6710	1-249-393-11	CARBON	10 5% 1/4W
R6473	1-216-833-11	METAL CHIP	10K 5% 1/10W	R6711 Δ	1-212-865-00	FUSIBLE	22 5% 1/4W
R6474	1-216-864-11	SHORT CHIP	0	R6712	1-218-827-11	METAL CHIP	150 0.5% 1/10W
R6475	1-216-829-11	METAL CHIP	4.7K 5% 1/10W	R6713	1-216-833-11	METAL CHIP	10K 5% 1/10W
R6476	1-216-821-11	METAL CHIP	1K 5% 1/10W	R6714	1-216-833-11	METAL CHIP	10K 5% 1/10W
R6477	1-216-837-11	METAL CHIP	22K 5% 1/10W	R6716	1-260-304-51	CARBON	10 5% 1/2W
R6479	1-249-393-11	CARBON	10 5% 1/4W	R6717	1-216-361-00	METAL OXIDE	0.22 5% 2W
R6480	1-216-833-11	METAL CHIP	10K 5% 1/10W	R6718	1-216-857-11	METAL CHIP	1M 5% 1/10W
R6481	1-216-821-11	METAL CHIP	1K 5% 1/10W	R6720	1-208-830-11	METAL CHIP	100K 0.5% 1/10W
R6500	1-249-393-11	CARBON	10 5% 1/4W	R6721	1-208-830-11	METAL CHIP	100K 0.5% 1/10W
R6501 Δ	1-202-933-61	FUSIBLE	0.1 10% 1/2W	R6722	1-208-830-11	METAL CHIP	100K 0.5% 1/10W
R6502	1-218-823-11	METAL CHIP	100 0.5% 1/10W	R6723	1-208-830-11	METAL CHIP	100K 0.5% 1/10W
R6503	1-218-863-11	METAL CHIP	4.7K 0.5% 1/10W	R6802	1-216-821-11	METAL CHIP	1K 5% 1/10W
R6504	1-218-760-11	METAL CHIP	220K 0.5% 1/10W	R6803	1-249-377-11	CARBON	0.47 5% 1/4W
R6505	1-218-760-11	METAL CHIP	220K 0.5% 1/10W	R6804	1-216-864-11	SHORT CHIP	0
R6506	1-218-760-11	METAL CHIP	220K 0.5% 1/10W	R6806	1-216-821-11	METAL CHIP	1K 5% 1/10W
R6507	1-218-760-11	METAL CHIP	220K 0.5% 1/10W	R6807	1-216-864-11	SHORT CHIP	0
R6508	1-208-830-11	METAL CHIP	100K 0.5% 1/10W	R6808	1-216-864-11	SHORT CHIP	0
R6509	1-218-854-11	METAL CHIP	2K 0.5% 1/10W	R6809	1-216-864-11	SHORT CHIP	0
R6510	1-218-877-11	METAL CHIP	18K 0.5% 1/10W	R6810	1-216-864-11	SHORT CHIP	0
R6513	1-211-990-11	METAL CHIP	75 0.5% 1/10W	R6811	1-249-393-11	CARBON	10 5% 1/4W
R6514 Δ	1-212-865-00	FUSIBLE	22 5% 1/4W	R6812	1-216-793-11	METAL CHIP	4.7 5% 1/10W
R6515 Δ	1-212-865-00	FUSIBLE	22 5% 1/4W	R6813	1-216-821-11	METAL CHIP	1K 5% 1/10W
R6516	1-218-871-11	METAL CHIP	10K 0.5% 1/10W	R6815	1-216-833-11	METAL CHIP	10K 5% 1/10W
R6517	1-218-871-11	METAL CHIP	10K 0.5% 1/10W	R6816	1-216-833-11	METAL CHIP	10K 5% 1/10W
R6518	1-219-759-11	METAL	1M 5% 1/2W	R6817	1-218-847-11	METAL CHIP	1K 0.5% 1/10W
R6519	1-219-759-11	METAL	1M 5% 1/2W	R6818	1-218-875-11	METAL CHIP	15K 0.5% 1/10W
R6520	1-216-821-11	METAL CHIP	1K 5% 1/10W	R6819	1-218-863-11	METAL CHIP	4.7K 0.5% 1/10W
R6521	1-216-341-11	METAL OXIDE	0.22 5% 1W	R6820	1-216-841-11	METAL CHIP	47K 5% 1/10W
R6522	1-216-864-11	SHORT CHIP	0	R6821	1-216-857-11	METAL CHIP	1M 5% 1/10W
R6523	1-216-857-11	METAL CHIP	1M 5% 1/10W	R6822	1-216-857-11	METAL CHIP	1M 5% 1/10W
R6524	1-216-341-11	METAL OXIDE	0.22 5% 1W	R6823	1-216-857-11	METAL CHIP	1M 5% 1/10W
R6600	1-218-853-11	METAL CHIP	1.8K 0.5% 1/10W			< RESISTOR VARIABLE >	
R6601	1-216-821-11	METAL CHIP	1K 5% 1/10W	RV6100	1-227-703-91	RES, CERMET VAR 1K	
R6602	1-216-864-11	SHORT CHIP	0			< RELAY >	
R6603	1-216-833-11	METAL CHIP	10K 5% 1/10W	RY6002 Δ	1-755-418-12	RELAY (AC POWER)	
R6604	1-216-813-11	METAL CHIP	220 5% 1/10W	RY6004 Δ	1-755-418-12	RELAY (AC POWER)	
R6605	1-218-865-11	METAL CHIP	5.6K 0.5% 1/10W			< TRANSFORMER >	
R6607	1-218-847-11	METAL CHIP	1K 0.5% 1/10W	T6100 Δ	1-443-463-11	CONVERTER TRANSFORMER (PIT)	
R6610	1-216-857-11	METAL CHIP	1M 5% 1/10W	T6101 Δ	1-443-463-11	CONVERTER TRANSFORMER (PIT)	
R6611	1-216-857-11	METAL CHIP	1M 5% 1/10W				
R6700	1-249-393-11	CARBON	10 5% 1/4W				
R6701 Δ	1-202-933-61	FUSIBLE	0.1 10% 1/2W				
R6702	1-218-868-11	METAL CHIP	7.5K 0.5% 1/10W				

Note : The components identified by shading and marked Δ are critical for safety. Replace only with the part numbers specified in the parts list.

G3L H2

REF.NO.	PART.NO	DESCRIPTION	REMARK	REF.NO.	PART.NO	DESCRIPTION	REMARK
T6300	Δ 1-443-313-11	TRANSFORMER, CONVERTER (SBT)				< RESISTOR >	
T6700	Δ 1-443-462-11	CONVERTER TRANSFORMER (PIT)					
		< THERMISTOR >					
TH6300	1-803-586-11	THERMISTOR, NTC		R200	1-216-864-11	SHORT CHIP	0
TH6420	1-809-789-71	THERMISTOR, POSITIVE		R201	1-216-864-11	SHORT CHIP	0
TH6474	1-804-045-11	THERMISTOR		R202	1-216-815-11	METAL CHIP	330 5% 1/10W
		< VARISTOR >		R203	1-218-847-11	METAL CHIP	1K 0.5% 1/10W
VD6001	Δ 1-805-479-21	VARISTOR		R204	1-216-813-11	METAL CHIP	220 5% 1/10W
VD6002	Δ 1-805-479-21	VARISTOR					
*A-1090-217-A H2 Board, Complete				R205	1-216-809-11	METAL CHIP	100 5% 1/10W
		< CAPACITOR >		R206	1-216-813-11	METAL CHIP	220 5% 1/10W
C201	1-162-927-11	CERAMIC CHIP 100PF	5.00% 50V	R207	1-216-815-11	METAL CHIP	330 5% 1/10W
C202	1-162-927-11	CERAMIC CHIP 100PF	5.00% 50V	R208	1-216-797-11	METAL CHIP	10 5% 1/10W
C203	1-162-927-11	CERAMIC CHIP 100PF	5.00% 50V	R209	1-216-797-11	METAL CHIP	10 5% 1/10W
C204	1-162-927-11	CERAMIC CHIP 100PF	5.00% 50V				
C205	1-162-927-11	CERAMIC CHIP 100PF	5.00% 50V	R210	1-216-813-11	METAL CHIP	220 5% 1/10W
C206	1-162-927-11	CERAMIC CHIP 100PF	5.00% 50V	R211	1-216-813-11	METAL CHIP	220 5% 1/10W
C207	1-162-927-11	CERAMIC CHIP 100PF	5.00% 50V	R212	1-216-813-11	METAL CHIP	220 5% 1/10W
C208	1-164-227-11	CERAMIC CHIP 0.022UF	10.00% 25V	R213	1-216-853-11	METAL CHIP	470K 5% 1/10W
C209	1-164-227-11	CERAMIC CHIP 0.022UF	10.00% 25V	R214	1-216-813-11	METAL CHIP	220 5% 1/10W
C210	1-115-566-11	CERAMIC CHIP 4.7UF	10.00% 10V				
C211	1-115-156-11	CERAMIC CHIP 1UF	10V	R215	1-216-809-11	METAL CHIP	100 5% 1/10W
C212	1-115-156-11	CERAMIC CHIP 1UF	10V	R216	1-216-853-11	METAL CHIP	470K 5% 1/10W
C213	1-125-891-11	CERAMIC CHIP 0.47UF	10.00% 10V	R217	1-216-813-11	METAL CHIP	220 5% 1/10W
C214	1-115-566-11	CERAMIC CHIP 4.7UF	10.00% 10V	R218	1-216-809-11	METAL CHIP	100 5% 1/10W
C215	1-100-597-91	CERAMIC CHIP 0.1UF	10% 25V	R219	1-216-813-11	METAL CHIP	220 5% 1/10W
C216	1-162-927-11	CERAMIC CHIP 100PF	5.00% 50V				
C217	1-162-927-11	CERAMIC CHIP 100PF	5.00% 50V	R220	1-216-813-11	METAL CHIP	220 5% 1/10W
		< CONNECTOR >		R221	1-216-809-11	METAL CHIP	100 5% 1/10W
CN200	1-784-646-11	TERMINAL, S		R224	1-216-864-11	SHORT CHIP	0
CN201	1-764-087-21	PIN, CONNECTOR (PC BOARD) 14P		R227	1-216-864-11	SHORT CHIP	0
CN205	1-695-915-11	TAB (CONTACT)		R229	1-216-864-11	SHORT CHIP	0
		< DIODE >				< VARISTOR >	
D200	8-719-062-19	DIODE MA3200WA-TX		VDR200	1-801-925-21	VARISTOR, CHIP	(1608)
D201	8-719-062-19	DIODE MA3200WA-TX		VDR201	1-801-925-21	VARISTOR, CHIP	(1608)
D202	8-719-069-60	DIODE UDZSTE-179.1B		VDR202	1-801-925-21	VARISTOR, CHIP	(1608)
D203	8-719-062-19	DIODE MA3200WA-TX					
D206	8-719-062-19	DIODE MA3200WA-TX					
D208	8-719-062-19	DIODE MA3200WA-TX					
		< SOCKET >					
J200	1-568-267-11	JACK					
J201	1-580-443-11	JACK, PIN 3P					

Note : The components identified by shading and marked Δ are critical for safety. Replace only with the part numbers specified in the parts list.

REF.NO.	PART.NO	DESCRIPTION	REMARK	REF.NO.	PART.NO	DESCRIPTION	REMARK
---------	---------	-------------	--------	---------	---------	-------------	--------

MISCELLANEOUS

1-825-949-23 LOUDSPEAKER (R)
 1-825-949-13 LOUDSPEAKER (L)
 1-805-879-11 PANEL, LCD
 8-597-993-00 TUNER, FSS BTF-EF412Z

Δ 1-818-098-21 INLET, AC (WITH NOISE FILTER)

8-597-997-00 TUNER, FSS BTP-DC412Z
 1-787-393-11 D.C. FAN

Δ 1-824-338-21 POWER-SUPPLY CORD FERRITE CORE

ACCESSORIES AND CONNECTORS

1-769-175-21 CABLE, ANTENNA (WITH FILTER)
 1-830-723-11 CABLE, COAXIAL
 *1-830-785-11 LEAD WIRE WITH CONNECTOR (LVDS)
 1-830-888-11 RF CABLE
 *1-910-003-42 CONNECTOR ASSY 2P

*1-910-004-41 CONNECTOR ASSY (SL4P/LUG)
 *1-910-010-05 CONNECTOR ASSY (51010-4P)
 *1-910-015-60 HARNESS ASSY (NF2)
 *1-910-015-62 CONNECTOR ASSY (SP)
 *1-910-015-63 HARNESS ASSY (N)

*1-910-015-64 CONNECTOR ASSY (ZH3)
 *1-910-015-66 HARNESS ASSY (A2)
 *1-910-015-67 CONNECTOR ASSY (PH2/SM2)
 *1-910-015-68 CONNECTOR ASSY (VH5)
 *1-910-015-70 CONNECTOR ASSY (ZH3)

*1-910-015-71 CONNECTOR ASSY (ZH12/ZH4)
 *1-910-015-72 CONNECTOR ASSY (PH14)
 *1-910-015-73 CONNECTOR ASSY (PH14/PH9)
 *1-910-015-74 CONNECTOR ASSY (PH14/PH8)
 *1-910-015-75 CONNECTOR ASSY (DF12)

*1-910-020-12 CONNECTOR ASSY (DF3/EH3)
 *1-910-020-62 CONNECTOR ASSY (SHLDP20)
 *1-910-020-63 CONNECTOR ASSY (ZH7)
 *2-658-164-11 INSTRUCTION MANUAL (ENGLISH/FRENCH/GERMAN/
 SPANISH)

*2-658-164-21 INSTRUCTION MANUAL (DANISH/FINNISH/ITALIAN/
 SWEDISH)

REMOTE COMMANDER

1-479-395-12 REMOTE COMMANDER (RM-ED001)

