

## SECTION 5 EXPLODED VIEWS

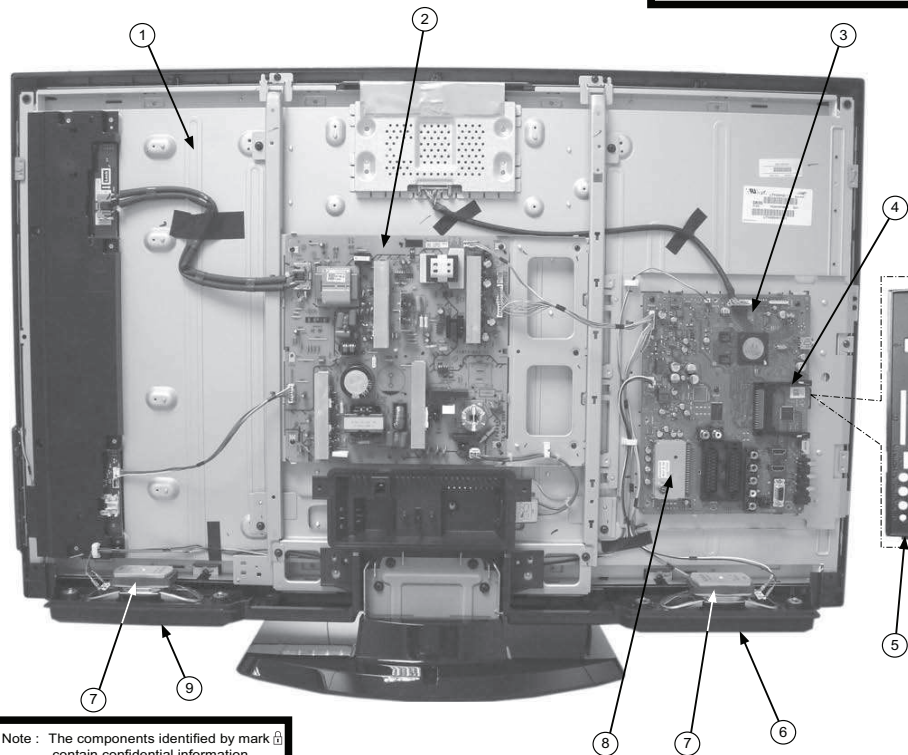
### NOTE :

- Non-serviceable items with no part number and no description are not stocked because they are not required for routine service.
- The construction parts of an assembled part are indicated with a collation number in the remarks column.
- Items marked "\*" are not stocked since they are seldom required for routine service. Some delay should be anticipated when ordering these items.

### 5-1. CHASSIS

**Note :** Les composants identifiés par un symbole  $\Delta$  sont critiques pour la sécurité. Ne les remplacer que par des pièces du numéro spécifié.

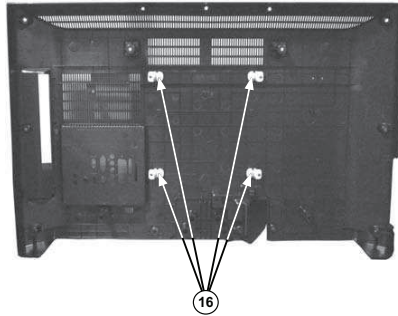
**Note :** The components identified by symbol  $\Delta$  are critical for safe operation. Replace only with the part number specified in the parts list.



**Note :** The components identified by mark  $\Delta$  contain confidential information. Strictly follow the instructions when ever the components are repaired and/or replaced.

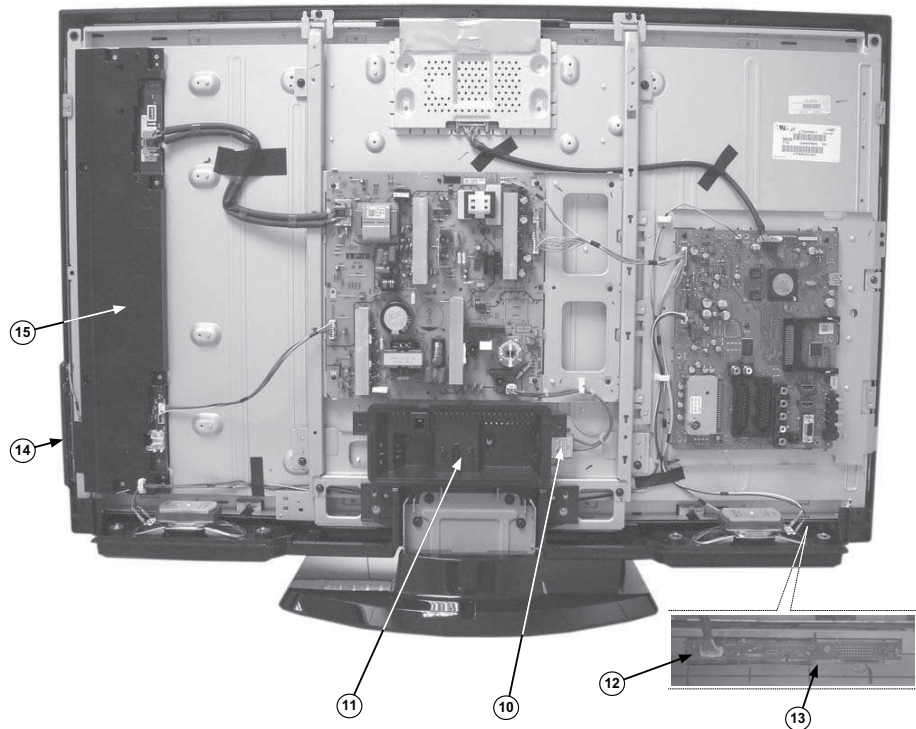
REF.NO.	PART.NO	DESCRIPTION	REMARK	REF.NO.	PART.NO	DESCRIPTION	REMARK
1	$\Delta$ 1-802-931-21	LCD PANEL (32 INCH FHD TFT)	32 inches	5	4-136-501-21	BRACKET, SIDE JACK	
	$\Delta$ 1-802-884-11	LCD PANEL (37 INCH FHD TFT)	37 inches	6	X-2349-490-2	BAFFLE, SP (32/37R) ASSY	32/37 inch
	$\Delta$ 1-802-800-11	LCD PANEL (40 INCH FHD TFT)	40 inches		X-2349-495-2	BAFFLE, SP (40R) ASSY	40 inches
2	1-474-153-12	POWER UNIT (G2)	32 inches	7	1-826-873-11	LOUDSPEAKER (3.4X17.5CM)	32/37 inch
	1-474-162-12	POWER UNIT (G4)	37 inches		1-858-196-11	LOUDSPEAKER (4.5X20CM)	40 inches
	A-1708-948-A	IPIF BOARD, COMPLETE	40 inches	8	1-693-773-21	TUNER UNIT (TUVIF VP-61HRV)	
Ver 3.0 3	$\Delta$ A-1732-291-A	B BOARD, COMPLETE		9	X-2349-489-2	BAFFLE, SP (32/37L) ASSY	32/37 inch
4	4-136-306-01	DUMMY CARD PCMCIA			X-2349-494-2	BAFFLE, SP (40L) ASSY	40 inches

5-1. CHASSIS Cont.



**Note :** Les composants identifiés par un triangle et par une marque Δ sont d'une importance critique pour la sécurité. Ne les remplacer que par des pièces du numéro spécifié.

**Note :** The components identified by shape and marked Δ are critical for safe operation. Replace only with the part number specified in the parts list.

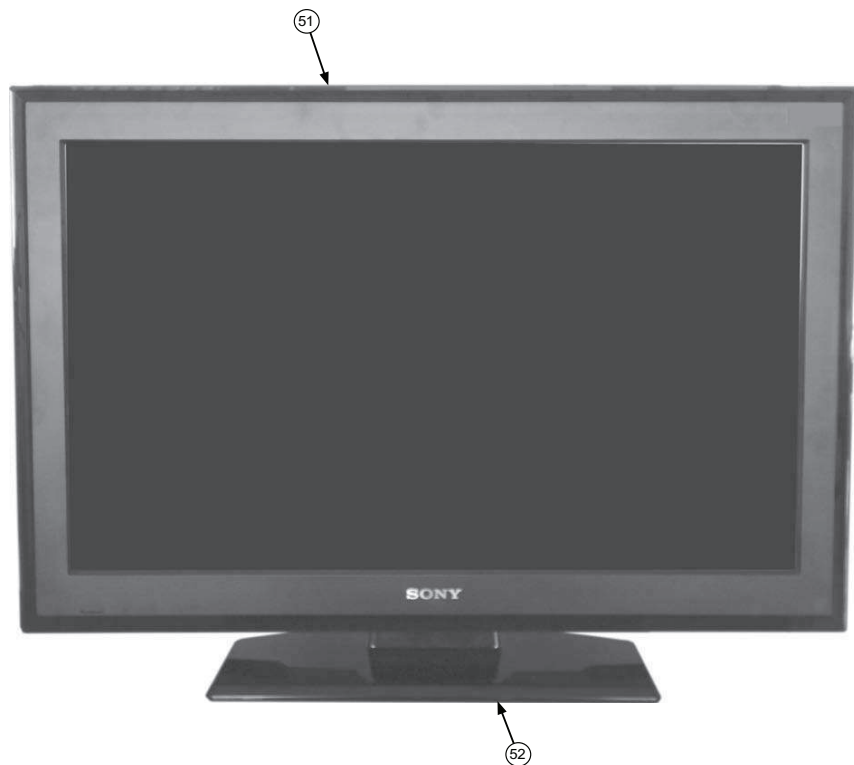


REF.NO.	PART.NO	DESCRIPTION	REMARK	REF.NO.	PART.NO	DESCRIPTION	REMARK
10	△ 1-822-617-11	AC INLET FILTER	40 inches	14	1-487-328-11	SWITCH UNIT	
11	4-136-754-01	COVER, UNDER	32 inches	15	Ver 2.0 1-857-519-11	ETC-INVERTER MT BOARD	32 inches
	4-123-683-12	COVER, UNDER	37 inches		1-857-395-11	ETC-INVERTER MT BOARD	37 inches
	4-123-683-03	COVER, UNDER	40 inches		1-857-249-11	ETC-INVERTER MT BOARD	40 inches
12	A-1643-232-A	H1 BOARD, COMPLETE		16	4-122-585-01	FRAME, VESA (M6)	
13	4-139-595-02	GUIDE, LIGHT					

## 5-2. BEZEL ASSY & STAND ASSY

**Note :** Les composants identifiés par un triangle et par une marque Δ sont d'une importance critique pour la sécurité. Ne les remplacer que par des pièces du numéro spécifié.

**Note :** The components identified by shape and marked Δ are critical for safety. Replace only with the part number specified in the parts list.

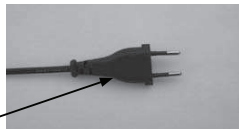
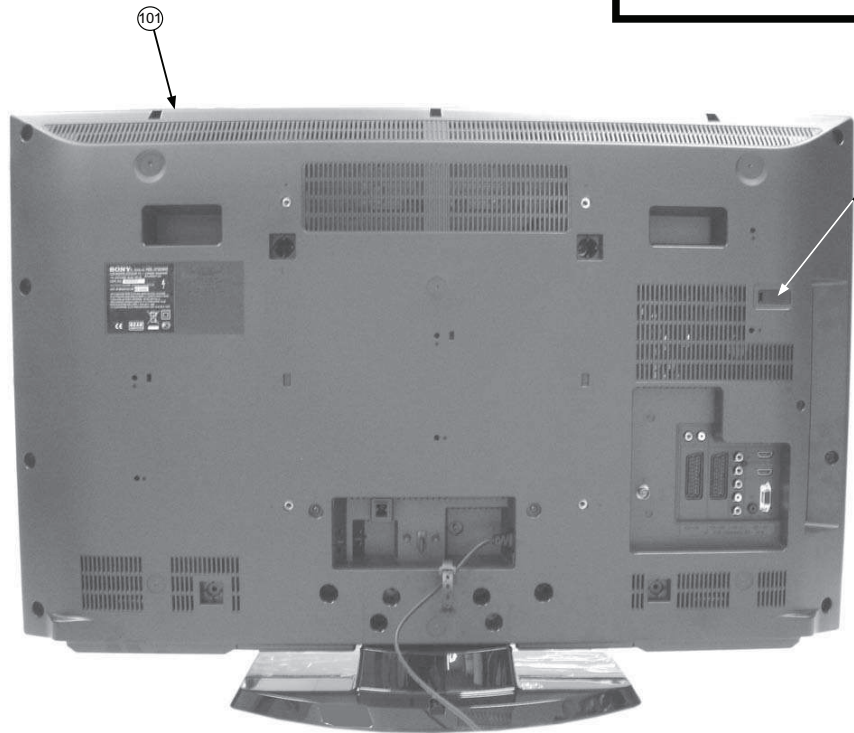


REF.NO.	PART.NO	DESCRIPTION	REMARK	REF.NO.	PART.NO	DESCRIPTION	REMARK
51	X-2348-452-1	BEZEL (32P) ASSY	32 inches	52	X-2345-301-2	STAND ASSY (ML1G)	32 inches
	X-2348-155-1	BEZEL (37P) ASSY	37 inches		X-2345-302-3	STAND ASSY (ML1G)	37/40 inches
	X-2348-156-1	BEZEL (40P) ASSY	40 inches				

### 5-3. REAR COVER & POWER SUPPLY CORDS

**Note :** Les composants identifiés par un triangle et par une marque Δ sont d'une importance critique pour la sécurité. Ne les remplacer que par des pièces du numéro spécifié.

**Note :** The components identified by shape and marked Δ are critical for safety. Replace only with the part number specified in the parts list.



REF.NO.	PART.NO	DESCRIPTION	REMARK	REF.NO.	PART.NO	DESCRIPTION	REMARK
101	X-2349-984-1	REAR COVER ASSY (32P)	32 inches	103	Δ 1-832-132-31	POWER-SUPPLY CORD (AEP)	32/37 inches
	X-2349-893-1	REAR COVER ASSY (37P)	37 inches		Δ 1-835-200-11	POWER-SUPPLY CORD (AEP)	40 inches
	X-2349-894-1	REAR COVER ASSY (40P)	40 inches		104	Δ 1-832-170-41	POWER-SUPPLY CORD (UK)
102	4-122-617-01	COVER, ECS(S)		Δ	1-835-165-11	POWER-SUPPLY CORD (UK)	40 inches


## SECTION 6 ELECTRICAL PARTS LIST


### PARTS LISTING TABLE OF CONTENTS

	<u>Page</u>
B BOARD COMPLETE Parts List : .....	42
H1 BOARD COMPLETE Parts List : .....	54
ACCESSORIES AND CONNECTORS : .....	55
REMOTE COMMANDER : .....	55

Note: To ensure safety and reliability it is Sony policy that power supply boards should not be repaired at component level in the field as a result... The G2, G4 and IP1F boards are regarded as non service items for exchange only and are not indicated in the parts list of this service manual.

Note : Items marked "\*\*\*" are not stocked since they are seldom required for routine service. Some delay should be anticipated when ordering these items.

Note : The components identified by mark  contain confidential information. Strictly follow the instructions when ever the components are repaired and/or replaced.

REF.NO.	PART.NO	DESCRIPTION	REMARK	REF.NO.	PART.NO	DESCRIPTION	REMARK
<b>Ver 3.0</b>				C2049	1-112-777-11	CERAMIC CHIP 0.01UF	10% 2
<b> A-1732-291-A B Board, Complete</b>				C2051	1-100-916-11	CERAMIC CHIP 0.1UF	10% 1
<b>&lt; CAPACITOR &gt;</b>							
C2000	1-100-916-11	CERAMIC CHIP 0.1UF	10% 16V	C2054	1-100-905-11	CERAMIC CHIP 0.001UF	10% 5
C2001	1-100-905-11	CERAMIC CHIP 0.001UF	10% 50V	C2055	1-100-904-11	CERAMIC CHIP 330PF	10% 5
C2002	1-100-916-11	CERAMIC CHIP 0.1UF	10% 16V	C2056	1-100-904-11	CERAMIC CHIP 330PF	10% 5
C2003	1-135-366-11	ELECT CHIP 100UF	20% 16V	C2059	1-164-870-11	CERAMIC CHIP 68PF	5.00% 5
C2004	1-135-366-11	ELECT CHIP 100UF	20% 16V	C2060	1-164-870-11	CERAMIC CHIP 68PF	5.00% 5
C2005	1-112-784-11	ELECT CHIP 220UF	20% 6.3V	C2071	1-112-776-11	CERAMIC CHIP 0.0047UF	10% 5
C2006	1-135-366-11	ELECT CHIP 100UF	20% 16V	C2073	1-112-776-11	CERAMIC CHIP 0.0047UF	10% 5
C2007	1-100-916-11	CERAMIC CHIP 0.1UF	10% 16V	C2074	1-112-776-11	CERAMIC CHIP 0.0047UF	10% 5
C2008	1-100-916-11	CERAMIC CHIP 0.1UF	10% 16V	C2102	1-114-130-11	CERAMIC CHIP 1UF	10% 6
C2009	1-100-916-11	CERAMIC CHIP 0.1UF	10% 16V	C2103	1-114-130-11	CERAMIC CHIP 1UF	10% 6
C2010	1-100-916-11	CERAMIC CHIP 0.1UF	10% 16V	C2104	1-114-130-11	CERAMIC CHIP 1UF	10% 6
C2011	1-100-916-11	CERAMIC CHIP 0.1UF	10% 16V	C3000	1-100-904-11	CERAMIC CHIP 330PF	10% 5
C2012	1-116-079-11	CERAMIC CHIP 10UF	10% 10V	C3001	1-100-904-11	CERAMIC CHIP 330PF	10% 5
C2013	1-100-904-11	CERAMIC CHIP 330PF	10% 50V	C3004	1-162-927-11	CERAMIC CHIP 100PF	5.00% 5
C2014	1-100-904-11	CERAMIC CHIP 330PF	10% 50V	C3005	1-162-927-11	CERAMIC CHIP 100PF	5.00% 5
C2015	1-100-904-11	CERAMIC CHIP 330PF	10% 50V	C3007	1-164-874-11	CERAMIC CHIP 100PF	5.00% 5
C2016	1-100-916-11	CERAMIC CHIP 0.1UF	10% 16V	C3008	1-164-874-11	CERAMIC CHIP 100PF	5.00% 5
C2017	1-100-916-11	CERAMIC CHIP 0.1UF	10% 16V	C3009	1-100-831-91	CERAMIC CHIP 0.001UF	2% 5
C2018	1-100-904-11	CERAMIC CHIP 330PF	10% 50V	C3010	1-100-831-91	CERAMIC CHIP 0.001UF	2% 5
C2019	1-100-905-11	CERAMIC CHIP 0.001UF	10% 50V	C3011	1-100-905-11	CERAMIC CHIP 0.001UF	10% 5
C2020	1-100-905-11	CERAMIC CHIP 0.001UF	10% 50V	C3012	1-100-905-11	CERAMIC CHIP 0.001UF	10% 5
C2023	1-100-916-11	CERAMIC CHIP 0.1UF	10% 16V	C3015	1-164-874-11	CERAMIC CHIP 100PF	5.00% 5
C2024	1-100-916-11	CERAMIC CHIP 0.1UF	10% 16V	C3016	1-164-874-11	CERAMIC CHIP 100PF	5.00% 5
C2025	1-100-916-11	CERAMIC CHIP 0.1UF	10% 16V	C3017	1-100-831-91	CERAMIC CHIP 0.001UF	2% 5
C2026	1-100-916-11	CERAMIC CHIP 0.1UF	10% 16V	C3018	1-164-874-11	CERAMIC CHIP 100PF	5.00% 5
C2027	1-100-766-21	ELECT CHIP 47UF	20% 16V	C3019	1-100-831-91	CERAMIC CHIP 0.001UF	2% 5
C2028	1-100-766-21	ELECT CHIP 47UF	20% 16V	C3020	1-164-874-11	CERAMIC CHIP 100PF	5.00% 5
C2029	1-100-766-21	ELECT CHIP 47UF	20% 16V	C3021	1-164-874-11	CERAMIC CHIP 100PF	5.00% 5
C2030	1-100-766-21	ELECT CHIP 47UF	20% 16V	C3022	1-100-831-91	CERAMIC CHIP 0.001UF	2% 5
C2031	1-100-905-11	CERAMIC CHIP 0.001UF	10% 50V	C3023	1-164-874-11	CERAMIC CHIP 100PF	5.00% 5
C2033	1-112-777-11	CERAMIC CHIP 0.01UF	10% 25V	C3024	1-100-831-91	CERAMIC CHIP 0.001UF	2% 5
C2034	1-100-905-11	CERAMIC CHIP 0.001UF	10% 50V	C3025	1-114-130-11	CERAMIC CHIP 1UF	10% 6
C2035	1-112-777-11	CERAMIC CHIP 0.01UF	10% 25V	C3028	1-114-130-11	CERAMIC CHIP 1UF	10% 6
C2036	1-112-777-11	CERAMIC CHIP 0.01UF	10% 25V	C3029	1-112-781-11	CERAMIC CHIP 1UF	10% 1
C2038	1-100-905-11	CERAMIC CHIP 0.001UF	10% 50V	C3030	1-112-781-11	CERAMIC CHIP 1UF	10% 1
C2039	1-100-905-11	CERAMIC CHIP 0.001UF	10% 50V	C3033	1-112-781-11	CERAMIC CHIP 1UF	10% 1
C2040	1-164-850-11	CERAMIC CHIP 10PF	0.50PF 50V	C3034	1-112-781-11	CERAMIC CHIP 1UF	10% 1
C2041	1-164-850-11	CERAMIC CHIP 10PF	0.50PF 50V	C3037	1-100-831-91	CERAMIC CHIP 0.001UF	2% 5
C2042	1-100-905-11	CERAMIC CHIP 0.001UF	10% 50V	C3038	1-100-831-91	CERAMIC CHIP 0.001UF	2% 5
C2043	1-100-905-11	CERAMIC CHIP 0.001UF	10% 50V	C3039	1-100-909-11	CERAMIC CHIP 10UF	10% 6
C2044	1-100-905-11	CERAMIC CHIP 0.001UF	10% 50V	C3040	1-114-325-11	CERAMIC CHIP 0.1UF	10% 2
C2045	1-100-905-11	CERAMIC CHIP 0.001UF	10% 50V	C3041	1-114-325-11	CERAMIC CHIP 0.1UF	10% 2
C2046	1-164-854-11	CERAMIC CHIP 15PF	5.00% 50V	C3042	1-100-909-11	CERAMIC CHIP 10UF	10% 6
C2047	1-164-874-11	CERAMIC CHIP 100PF	5.00% 50V	C3043	1-112-777-11	CERAMIC CHIP 0.01UF	10% 2
C2048	1-164-874-11	CERAMIC CHIP 100PF	5.00% 50V	C3044	1-112-777-11	CERAMIC CHIP 0.01UF	10% 2
				C4000	1-114-333-11	CERAMIC CHIP 47UF	10% 6
				C4001	1-114-325-11	CERAMIC CHIP 0.1UF	10% 2
				C4002	1-100-909-11	CERAMIC CHIP 10UF	10% 6

REF.NO.	PART.NO	DESCRIPTION	REMARK	REF.NO.	PART.NO	DESCRIPTION	REMARK
C4005	1-100-916-11	CERAMIC CHIP 0.1UF	10% 16V	C4104	1-112-777-11	CERAMIC CHIP 0.01UF	10% 25V
C4009	1-100-916-11	CERAMIC CHIP 0.1UF	10% 16V	C4105	1-112-777-11	CERAMIC CHIP 0.01UF	10% 25V
C4011	1-114-813-11	CERAMIC CHIP 1UF	10% 16V	C4107	1-114-398-21	ELECT CHIP 22UF	20% 6.3V
C4012	1-100-916-11	CERAMIC CHIP 0.1UF	10% 16V	C4108	1-100-916-11	CERAMIC CHIP 0.1UF	10% 16V
C4014	1-100-916-11	CERAMIC CHIP 0.1UF	10% 16V	C4109	1-100-916-11	CERAMIC CHIP 0.1UF	10% 16V
C4015	1-100-916-11	CERAMIC CHIP 0.1UF	10% 16V	C4111	1-164-854-11	CERAMIC CHIP 15PF	5.00% 50V
C4016	1-100-916-11	CERAMIC CHIP 0.1UF	10% 16V	C4112	1-164-858-11	CERAMIC CHIP 22PF	5.00% 50V
C4020	1-100-916-11	CERAMIC CHIP 0.1UF	10% 16V	C4113	1-164-860-11	CERAMIC CHIP 27PF	5.00% 50V
C4021	1-100-916-11	CERAMIC CHIP 0.1UF	10% 16V	C4114	1-100-916-11	CERAMIC CHIP 0.1UF	10% 16V
C4023	1-100-916-11	CERAMIC CHIP 0.1UF	10% 16V	C4115	1-114-296-11	ELECT CHIP 820UF	20% 6.3V
C4024	1-100-916-11	CERAMIC CHIP 0.1UF	10% 16V	C4116	1-100-916-11	CERAMIC CHIP 0.1UF	10% 16V
C4026	1-100-916-11	CERAMIC CHIP 0.1UF	10% 16V	C4117	1-100-905-11	CERAMIC CHIP 0.001UF	10% 50V
C4027	1-100-916-11	CERAMIC CHIP 0.1UF	10% 16V	C4118	1-100-916-11	CERAMIC CHIP 0.1UF	10% 16V
C4029	1-100-916-11	CERAMIC CHIP 0.1UF	10% 16V	C4119	1-100-767-21	ELECT CHIP 220UF	20% 16V
C4030	1-100-916-11	CERAMIC CHIP 0.1UF	10% 16V	C4120	1-100-916-11	CERAMIC CHIP 0.1UF	10% 16V
C4031	1-100-916-11	CERAMIC CHIP 0.1UF	10% 16V	C4121	1-100-765-21	ELECT CHIP 10UF	20% 16V
C4032	1-100-916-11	CERAMIC CHIP 0.1UF	10% 16V	C4122	1-164-874-11	CERAMIC CHIP 100PF	5.00% 50V
C4033	1-100-916-11	CERAMIC CHIP 0.1UF	10% 16V	C4300	1-112-778-11	CERAMIC CHIP 0.022UF	10% 25V
C4034	1-100-916-11	CERAMIC CHIP 0.1UF	10% 16V	C4301	1-112-778-11	CERAMIC CHIP 0.022UF	10% 25V
C4035	1-100-916-11	CERAMIC CHIP 0.1UF	10% 16V	C4302	1-112-778-11	CERAMIC CHIP 0.022UF	10% 25V
C4036	1-100-916-11	CERAMIC CHIP 0.1UF	10% 16V	C4304	1-112-778-11	CERAMIC CHIP 0.022UF	10% 25V
C4037	1-100-916-11	CERAMIC CHIP 0.1UF	10% 16V	C4306	1-112-778-11	CERAMIC CHIP 0.022UF	10% 25V
C4038	1-100-916-11	CERAMIC CHIP 0.1UF	10% 16V	C4307	1-112-778-11	CERAMIC CHIP 0.022UF	10% 25V
C4039	1-100-916-11	CERAMIC CHIP 0.1UF	10% 16V	C4308	1-112-778-11	CERAMIC CHIP 0.022UF	10% 25V
C4040	1-100-916-11	CERAMIC CHIP 0.1UF	10% 16V	C4309	1-112-778-11	CERAMIC CHIP 0.022UF	10% 25V
C4041	1-100-916-11	CERAMIC CHIP 0.1UF	10% 16V	C4310	1-112-778-11	CERAMIC CHIP 0.022UF	10% 25V
C4042	1-100-916-11	CERAMIC CHIP 0.1UF	10% 16V	C4311	1-112-777-11	CERAMIC CHIP 0.01UF	10% 25V
C4043	1-100-916-11	CERAMIC CHIP 0.1UF	10% 16V	C4312	1-112-778-11	CERAMIC CHIP 0.022UF	10% 25V
C4044	1-100-916-11	CERAMIC CHIP 0.1UF	10% 16V	C4313	1-112-778-11	CERAMIC CHIP 0.022UF	10% 25V
C4045	1-100-916-11	CERAMIC CHIP 0.1UF	10% 16V	C4314	1-112-778-11	CERAMIC CHIP 0.022UF	10% 25V
C4046	1-100-916-11	CERAMIC CHIP 0.1UF	10% 16V	C4315	1-112-778-11	CERAMIC CHIP 0.022UF	10% 25V
C4047	1-100-916-11	CERAMIC CHIP 0.1UF	10% 16V	C4316	1-112-778-11	CERAMIC CHIP 0.022UF	10% 25V
C4048	1-100-916-11	CERAMIC CHIP 0.1UF	10% 16V	C4317	1-112-778-11	CERAMIC CHIP 0.022UF	10% 25V
C4049	1-100-916-11	CERAMIC CHIP 0.1UF	10% 16V	C4318	1-114-325-11	CERAMIC CHIP 0.1UF	10% 25V
C4050	1-100-916-11	CERAMIC CHIP 0.1UF	10% 16V	C4319	1-112-778-11	CERAMIC CHIP 0.022UF	10% 25V
C4051	1-100-916-11	CERAMIC CHIP 0.1UF	10% 16V	C4320	1-112-778-11	CERAMIC CHIP 0.022UF	10% 25V
C4052	1-100-916-11	CERAMIC CHIP 0.1UF	10% 16V	C4321	1-112-778-11	CERAMIC CHIP 0.022UF	10% 25V
C4053	1-100-916-11	CERAMIC CHIP 0.1UF	10% 16V	C4322	1-112-777-11	CERAMIC CHIP 0.01UF	10% 25V
C4054	1-100-916-11	CERAMIC CHIP 0.1UF	10% 16V	C4323	1-112-778-11	CERAMIC CHIP 0.022UF	10% 25V
C4055	1-100-909-11	CERAMIC CHIP 10UF	10% 6.3V	C4325	1-112-778-11	CERAMIC CHIP 0.022UF	10% 25V
C4056	1-100-909-11	CERAMIC CHIP 10UF	10% 6.3V	C4327	1-112-778-11	CERAMIC CHIP 0.022UF	10% 25V
C4057	1-100-916-11	CERAMIC CHIP 0.1UF	10% 16V	C4328	1-112-778-11	CERAMIC CHIP 0.022UF	10% 25V
C4058	1-100-916-11	CERAMIC CHIP 0.1UF	10% 16V	C4329	1-112-778-11	CERAMIC CHIP 0.022UF	10% 25V
C4059	1-100-916-11	CERAMIC CHIP 0.1UF	10% 16V	C4330	1-112-778-11	CERAMIC CHIP 0.022UF	10% 25V
C4060	1-100-916-11	CERAMIC CHIP 0.1UF	10% 16V	C4331	1-112-778-11	CERAMIC CHIP 0.022UF	10% 25V
C4062	1-114-332-11	CERAMIC CHIP 22UF	10% 6.3V	C4332	1-112-778-11	CERAMIC CHIP 0.022UF	10% 25V
C4100	1-112-777-11	CERAMIC CHIP 0.01UF	10% 25V	C4333	1-112-778-11	CERAMIC CHIP 0.022UF	10% 25V
C4101	1-112-777-11	CERAMIC CHIP 0.01UF	10% 25V	C4334	1-112-778-11	CERAMIC CHIP 0.022UF	10% 25V
C4102	1-100-916-11	CERAMIC CHIP 0.1UF	10% 16V	C4335	1-112-778-11	CERAMIC CHIP 0.022UF	10% 25V
C4103	1-112-068-11	CERAMIC CHIP 220PF	10% 50V	C4340	1-164-852-11	CERAMIC CHIP 12PF	5.00% 50V

REF.NO.	PART.NO	DESCRIPTION	REMARK	REF.NO.	PART.NO	DESCRIPTION	REMARK
C4341	1-112-778-11	CERAMIC CHIP 0.022UF	10% 25V	C4753	1-164-874-11	CERAMIC CHIP 100PF	5.00%
C4342	1-112-778-11	CERAMIC CHIP 0.022UF	10% 25V	C5500	1-100-916-11	CERAMIC CHIP 0.1UF	10%
C4343	1-112-778-11	CERAMIC CHIP 0.022UF	10% 25V	C5501	1-100-916-11	CERAMIC CHIP 0.1UF	10%
C4344	1-112-778-11	CERAMIC CHIP 0.022UF	10% 25V	C5502	1-100-916-11	CERAMIC CHIP 0.1UF	10%
C4345	1-112-778-11	CERAMIC CHIP 0.022UF	10% 25V	C5506	1-100-916-11	CERAMIC CHIP 0.1UF	10%
C4346	1-112-778-11	CERAMIC CHIP 0.022UF	10% 25V	C5507	1-100-916-11	CERAMIC CHIP 0.1UF	10%
C4347	1-114-325-11	CERAMIC CHIP 0.1UF	10% 25V	C5508	1-100-916-11	CERAMIC CHIP 0.1UF	10%
C4348	1-114-325-11	CERAMIC CHIP 0.1UF	10% 25V	C5511	1-100-909-11	CERAMIC CHIP 10UF	10%
C4349	1-100-916-11	CERAMIC CHIP 0.1UF	10% 16V	C5512	1-114-332-11	CERAMIC CHIP 22UF	10%
C4350	1-100-905-11	CERAMIC CHIP 0.001UF	10% 50V	C5513	1-100-916-11	CERAMIC CHIP 0.1UF	10%
C4351	1-100-633-21	ELECT CHIP 47UF	20% 35V	C5514	1-100-916-11	CERAMIC CHIP 0.1UF	10%
C4500	1-100-916-11	CERAMIC CHIP 0.1UF	10% 16V	C5515	1-100-916-11	CERAMIC CHIP 0.1UF	10%
C4501	1-112-068-11	CERAMIC CHIP 220PF	10% 50V	C5518	1-100-916-11	CERAMIC CHIP 0.1UF	10%
C4502	1-112-068-11	CERAMIC CHIP 220PF	10% 50V	C5519	1-100-916-11	CERAMIC CHIP 0.1UF	10%
C4700	1-114-325-11	CERAMIC CHIP 0.1UF	10% 25V	C5521	1-100-916-11	CERAMIC CHIP 0.1UF	10%
C4701	1-114-325-11	CERAMIC CHIP 0.1UF	10% 25V	C5522	1-100-916-11	CERAMIC CHIP 0.1UF	10%
C4702	1-114-325-11	CERAMIC CHIP 0.1UF	10% 25V	C5524	1-100-916-11	CERAMIC CHIP 0.1UF	10%
C4703	1-114-325-11	CERAMIC CHIP 0.1UF	10% 25V	C5526	1-100-916-11	CERAMIC CHIP 0.1UF	10%
C4704	1-114-325-11	CERAMIC CHIP 0.1UF	10% 25V	C5527	1-100-916-11	CERAMIC CHIP 0.1UF	10%
C4705	1-114-325-11	CERAMIC CHIP 0.1UF	10% 25V	C5528	1-100-916-11	CERAMIC CHIP 0.1UF	10%
C4706	1-114-533-21	ELECT CHIP 330UF	20% 6.3V	C5529	1-100-916-11	CERAMIC CHIP 0.1UF	10%
C4710	1-162-927-11	CERAMIC CHIP 100PF	5.00% 50V	C5530	1-100-916-11	CERAMIC CHIP 0.1UF	10%
C4711	1-114-325-11	CERAMIC CHIP 0.1UF	10% 25V	C5531	1-114-130-11	CERAMIC CHIP 1UF	10%
C4716	1-114-325-11	CERAMIC CHIP 0.1UF	10% 25V	C5532	1-100-916-11	CERAMIC CHIP 0.1UF	10%
C4717	1-100-831-91	CERAMIC CHIP 0.001UF	2% 50V	C6001	1-114-130-11	CERAMIC CHIP 1UF	10%
C4718	1-100-831-91	CERAMIC CHIP 0.001UF	2% 50V	C6002	1-100-769-21	ELECT CHIP 470UF	20%
C4719	1-114-325-11	CERAMIC CHIP 0.1UF	10% 25V	C6004	1-100-916-11	CERAMIC CHIP 0.1UF	10%
C4720	1-100-831-91	CERAMIC CHIP 0.001UF	2% 50V	C6006	1-100-916-11	CERAMIC CHIP 0.1UF	10%
C4721	1-114-325-11	CERAMIC CHIP 0.1UF	10% 25V	C6007	1-112-780-11	CERAMIC CHIP 0.47UF	10%
C4722	1-100-831-91	CERAMIC CHIP 0.001UF	2% 50V	C6009	1-114-813-11	CERAMIC CHIP 1UF	10%
C4723	1-100-909-11	CERAMIC CHIP 10UF	10% 6.3V	C6010	1-100-916-11	CERAMIC CHIP 0.1UF	10%
C4724	1-114-325-11	CERAMIC CHIP 0.1UF	10% 25V	C6012	1-114-130-11	CERAMIC CHIP 1UF	10%
C4725	1-100-831-91	CERAMIC CHIP 0.001UF	2% 50V	C6013	1-114-813-11	CERAMIC CHIP 1UF	10%
C4727	1-114-325-11	CERAMIC CHIP 0.1UF	10% 25V	C6014	1-114-331-11	CERAMIC CHIP 4.7UF	10%
C4728	1-100-831-91	CERAMIC CHIP 0.001UF	2% 50V	C6015	1-164-874-11	CERAMIC CHIP 100PF	5.00%
C4730	1-114-325-11	CERAMIC CHIP 0.1UF	10% 25V	C6018	1-100-912-11	CERAMIC CHIP 1UF	10%
C4735	1-114-325-11	CERAMIC CHIP 0.1UF	10% 25V	C6020	1-114-817-11	CERAMIC CHIP 2.2UF	10%
C4736	1-114-325-11	CERAMIC CHIP 0.1UF	10% 25V	C6021	1-100-912-11	CERAMIC CHIP 1UF	10%
C4737	1-100-831-91	CERAMIC CHIP 0.001UF	2% 50V	C6022	1-100-912-11	CERAMIC CHIP 1UF	10%
C4738	1-100-831-91	CERAMIC CHIP 0.001UF	2% 50V	C6027	1-114-868-11	CERAMIC CHIP 0.1UF	10%
C4739	1-114-325-11	CERAMIC CHIP 0.1UF	10% 25V	C6028	1-114-813-11	CERAMIC CHIP 1UF	10%
C4740	1-100-831-91	CERAMIC CHIP 0.001UF	2% 50V	C6029	1-114-407-21	ELECT CHIP 4.7UF	20%
C4741	1-114-325-11	CERAMIC CHIP 0.1UF	10% 25V	C6031	1-100-905-11	CERAMIC CHIP 0.001UF	10%
C4742	1-100-831-91	CERAMIC CHIP 0.001UF	2% 50V	C6032	1-112-777-11	CERAMIC CHIP 0.01UF	10%
C4743	1-100-909-11	CERAMIC CHIP 10UF	10% 6.3V	C6034	1-112-778-11	CERAMIC CHIP 0.022UF	10%
C4744	1-114-325-11	CERAMIC CHIP 0.1UF	10% 25V	C6039	1-100-916-11	CERAMIC CHIP 0.1UF	10%
C4745	1-100-831-91	CERAMIC CHIP 0.001UF	2% 50V	C6040	1-100-916-11	CERAMIC CHIP 0.1UF	10%
C4747	1-114-325-11	CERAMIC CHIP 0.1UF	10% 25V	C6042	1-100-916-11	CERAMIC CHIP 0.1UF	10%
C4748	1-100-831-91	CERAMIC CHIP 0.001UF	2% 50V	C6043	1-114-813-11	CERAMIC CHIP 1UF	10%
C4750	1-114-325-11	CERAMIC CHIP 0.1UF	10% 25V	C6044	1-112-777-11	CERAMIC CHIP 0.01UF	10%



REF.NO.	PART.NO	DESCRIPTION	REMARK	REF.NO.	PART.NO	DESCRIPTION	REMARK
C6045	1-112-777-11	CERAMIC CHIP 0.01UF	10% 25V	C7809	1-164-858-11	CERAMIC CHIP 22PF	5.00% 50V
C6047	1-112-777-11	CERAMIC CHIP 0.01UF	10% 25V	C7810	1-164-858-11	CERAMIC CHIP 22PF	5.00% 50V
C6048	1-114-553-11	CERAMIC CHIP 10UF	10% 16V	C7811	1-114-331-11	CERAMIC CHIP 4.7UF	10% 16V
C6049	1-114-553-11	CERAMIC CHIP 10UF	10% 16V	C7812	1-114-331-11	CERAMIC CHIP 4.7UF	10% 16V
C6050	1-114-553-11	CERAMIC CHIP 10UF	10% 16V	C7813	1-114-331-11	CERAMIC CHIP 4.7UF	10% 16V
C6051	1-114-553-11	CERAMIC CHIP 10UF	10% 16V	C7814	1-114-331-11	CERAMIC CHIP 4.7UF	10% 16V
C6054	1-114-553-11	CERAMIC CHIP 10UF	10% 16V	C7815	1-114-331-11	CERAMIC CHIP 4.7UF	10% 16V
C6055	1-114-553-11	CERAMIC CHIP 10UF	10% 16V	C7816	1-114-331-11	CERAMIC CHIP 4.7UF	10% 16V
C6056	1-114-553-11	CERAMIC CHIP 10UF	10% 16V	C7817	1-114-331-11	CERAMIC CHIP 4.7UF	10% 16V
C6060	1-116-079-11	CERAMIC CHIP 10UF	10% 10V	C7818	1-114-331-11	CERAMIC CHIP 4.7UF	10% 16V
C6061	1-116-079-11	CERAMIC CHIP 10UF	10% 10V	C7819	1-114-331-11	CERAMIC CHIP 4.7UF	10% 16V
C6063	1-116-079-11	CERAMIC CHIP 10UF	10% 10V	C7820	1-114-331-11	CERAMIC CHIP 4.7UF	10% 16V
C6064	1-116-079-11	CERAMIC CHIP 10UF	10% 10V	C7821	1-112-780-11	CERAMIC CHIP 0.47UF	10% 16V
C6065	1-116-079-11	CERAMIC CHIP 10UF	10% 10V	C7822	1-100-916-11	CERAMIC CHIP 0.1UF	10% 16V
C6067	1-116-079-11	CERAMIC CHIP 10UF	10% 10V	C7823	1-100-916-11	CERAMIC CHIP 0.1UF	10% 16V
C6068	1-116-079-11	CERAMIC CHIP 10UF	10% 10V	C7824	1-100-916-11	CERAMIC CHIP 0.1UF	10% 16V
C6069	1-116-079-11	CERAMIC CHIP 10UF	10% 10V	C7825	1-100-765-21	ELECT CHIP 10UF	20% 16V
C6071	1-116-079-11	CERAMIC CHIP 10UF	10% 10V	C7826	1-100-765-21	ELECT CHIP 10UF	20% 16V
C6072	1-114-813-11	CERAMIC CHIP 1UF	10% 16V	C7827	1-100-916-11	CERAMIC CHIP 0.1UF	10% 16V
C6086	1-114-813-11	CERAMIC CHIP 1UF	10% 16V	C7828	1-100-916-11	CERAMIC CHIP 0.1UF	10% 16V
C6090	1-116-079-11	CERAMIC CHIP 10UF	10% 10V	C7829	1-100-916-11	CERAMIC CHIP 0.1UF	10% 16V
C6091	1-100-766-21	ELECT CHIP 47UF	20% 16V	C7830	1-100-831-91	CERAMIC CHIP 0.001UF	2% 50V
C6092	1-100-766-21	ELECT CHIP 47UF	20% 16V	C7831	1-100-831-91	CERAMIC CHIP 0.001UF	2% 50V
C6093	1-114-130-11	CERAMIC CHIP 1UF	10% 6.3V	C7832	1-100-916-11	CERAMIC CHIP 0.1UF	10% 16V
C6096	1-114-130-11	CERAMIC CHIP 1UF	10% 6.3V	C7833	1-114-802-11	CERAMIC CHIP 0.0033UF	10% 50V
C6098	1-100-909-11	CERAMIC CHIP 10UF	10% 6.3V	C7836	1-114-802-11	CERAMIC CHIP 0.0033UF	10% 50V
C6099	1-114-130-11	CERAMIC CHIP 1UF	10% 6.3V	C7837	1-100-769-21	ELECT CHIP 470UF	20% 16V
C6100	1-112-780-11	CERAMIC CHIP 0.47UF	10% 16V	C7838	1-114-802-11	CERAMIC CHIP 0.0033UF	10% 50V
C6101	1-112-780-11	CERAMIC CHIP 0.47UF	10% 16V	C7839	1-114-802-11	CERAMIC CHIP 0.0033UF	10% 50V
C6105	1-114-533-21	ELECT CHIP 330UF	20% 6.3V	C7840	1-100-765-21	ELECT CHIP 10UF	20% 16V
C6107	1-116-079-11	CERAMIC CHIP 10UF	10% 10V	C7841	1-100-916-11	CERAMIC CHIP 0.1UF	10% 16V
C6108	1-116-079-11	CERAMIC CHIP 10UF	10% 10V	C7842	1-114-331-11	CERAMIC CHIP 4.7UF	10% 16V
C6109	1-116-079-11	CERAMIC CHIP 10UF	10% 10V	C7843	1-114-331-11	CERAMIC CHIP 4.7UF	10% 16V
C7300	1-100-916-11	CERAMIC CHIP 0.1UF	10% 16V	C7844	1-114-331-11	CERAMIC CHIP 4.7UF	10% 16V
C7302	1-100-916-11	CERAMIC CHIP 0.1UF	10% 16V	C7845	1-114-331-11	CERAMIC CHIP 4.7UF	10% 16V
C7303	1-100-916-11	CERAMIC CHIP 0.1UF	10% 16V	C7848	1-100-766-21	ELECT CHIP 47UF	20% 16V
C7304	1-100-916-11	CERAMIC CHIP 0.1UF	10% 16V	C7849	1-112-781-11	CERAMIC CHIP 1UF	10% 16V
C7305	1-100-916-11	CERAMIC CHIP 0.1UF	10% 16V	C7850	1-112-781-11	CERAMIC CHIP 1UF	10% 16V
C7306	1-100-905-11	CERAMIC CHIP 0.001UF	10% 50V	C7851	1-112-781-11	CERAMIC CHIP 1UF	10% 16V
C7307	1-114-331-11	CERAMIC CHIP 4.7UF	10% 10V	C7852	1-112-781-11	CERAMIC CHIP 1UF	10% 16V
C7308	1-100-916-11	CERAMIC CHIP 0.1UF	10% 16V	C7853	1-100-916-11	CERAMIC CHIP 0.1UF	10% 16V
C7800	1-100-916-11	CERAMIC CHIP 0.1UF	10% 16V	C7855	1-137-942-21	ELECT CHIP 47UF	20% 25V
C7801	1-164-858-11	CERAMIC CHIP 22PF	5.00% 50V	C7857	1-114-325-11	CERAMIC CHIP 0.1UF	10% 16V
C7802	1-164-858-11	CERAMIC CHIP 22PF	5.00% 50V	C7859	1-100-916-11	CERAMIC CHIP 0.1UF	10% 16V
C7803	1-164-858-11	CERAMIC CHIP 22PF	5.00% 50V	C7863	1-100-916-11	CERAMIC CHIP 0.1UF	10% 16V
C7804	1-164-858-11	CERAMIC CHIP 22PF	5.00% 50V	C7864	1-100-916-11	CERAMIC CHIP 0.1UF	10% 16V
C7805	1-164-858-11	CERAMIC CHIP 22PF	5.00% 50V	C7865	1-114-334-11	CERAMIC CHIP 10UF	10% 16V
C7806	1-164-858-11	CERAMIC CHIP 22PF	5.00% 50V	C7870	1-114-331-11	CERAMIC CHIP 4.7UF	10% 16V
C7807	1-164-858-11	CERAMIC CHIP 22PF	5.00% 50V	C7871	1-114-331-11	CERAMIC CHIP 4.7UF	10% 16V
C7808	1-164-858-11	CERAMIC CHIP 22PF	5.00% 50V	C7872	1-100-765-21	ELECT CHIP 10UF	20% 16V

**Note :** The components identified by shading and marked  $\Delta$  are critical for safety. Replace only with the part numbers specified in the parts list.

REF.NO.	PART.NO	DESCRIPTION	REMARK	REF.NO.	PART.NO	DESCRIPTION	REMARK
C7876	1-112-781-11	CERAMIC CHIP 1UF	10% 10V			< CONNECTOR >	
C7877	1-112-781-11	CERAMIC CHIP 1UF	10% 10V				
C7878	1-112-781-11	CERAMIC CHIP 1UF	10% 10V	CN3000	1-822-580-11	CONNECTOR DUAL SCART	
C7879	1-112-781-11	CERAMIC CHIP 1UF	10% 10V	CN4100	1-820-180-11	HEADER ASSEMBLY (PRINT PWB) 3P	
C7880	1-114-802-11	CERAMIC CHIP 0.0033UF	10% 50V	CN4105	1-821-834-12	USB CONNECTOR	
				CN4106	1-779-936-51	CONNECTOR, FPC/FPC 18P	
				CN4300	*1-818-745-21	HEADER ASSEMBLY 40P	
C7881	1-114-334-11	CERAMIC CHIP 10UF	10% 25V				
C7882	1-114-802-11	CERAMIC CHIP 0.0033UF	10% 50V	CN4500	*1-821-827-21	D SUB CONNECTOR	
C7883	1-114-334-11	CERAMIC CHIP 10UF	10% 25V	CN5500	*1-822-482-11	HDMI CONNECTOR	
C7889	1-114-802-11	CERAMIC CHIP 0.0033UF	10% 50V	CN5501	*1-822-482-11	HDMI CONNECTOR	
C7890	1-114-802-11	CERAMIC CHIP 0.0033UF	10% 50V	CN5502	*1-822-484-11	HDMI CONNECTOR	
				CN6000	*1-818-656-21	HEADER ASSEMBLY 30P	
C7893	1-112-781-11	CERAMIC CHIP 1UF	10% 10V				
C7894	1-112-781-11	CERAMIC CHIP 1UF	10% 10V	CN7300	1-822-579-21	CARD CONNECTOR (PCMCIA CARD)	
C7895	1-100-766-21	ELECT CHIP 47UF	20% 16V	CN7800	*1-822-525-11	OPTICAL OUT CONNECTOR	
C7896	1-100-766-21	ELECT CHIP 47UF	20% 16V	CN7900	1-819-461-11	HEADER ASSEMBLY FOR PWB 4P	
C7901	1-112-797-11	ELECT CHIP 470UF	20% 25V			< DIODE >	
C7902	1-100-912-11	CERAMIC CHIP 1UF	10% 25V	D4502	6-502-318-01	DI MA4J1130GLS0	
C7903	1-100-912-11	CERAMIC CHIP 1UF	10% 25V	D5511	6-501-817-01	DIODE MA2J1110GLS0	
C7904	1-100-912-11	CERAMIC CHIP 1UF	10% 25V	D5512	6-501-817-01	DIODE MA2J1110GLS0	
C7905	1-100-912-11	CERAMIC CHIP 1UF	10% 25V	D6000	6-502-318-01	DI MA4J1130GLS0	
C7906	1-114-325-11	CERAMIC CHIP 0.1UF	10% 25V	D6001	6-502-318-01	DI MA4J1130GLS0	
C7907	1-112-797-11	ELECT CHIP 470UF	20% 25V	D6002	6-502-318-01	DI MA4J1130GLS0	
C7908	1-114-325-11	CERAMIC CHIP 0.1UF	10% 25V	D6004	6-501-614-01	DIODE PZU5.6B2	
C7909	1-164-882-11	CERAMIC CHIP 220PF	5.00% 16V	D6005	6-501-614-01	DIODE PZU5.6B2	
C7910	1-164-882-11	CERAMIC CHIP 220PF	5.00% 16V	D6006	6-501-817-01	DIODE MA2J1110GLS0	
C7911	1-164-882-11	CERAMIC CHIP 220PF	5.00% 16V	D6008	6-501-614-01	DIODE PZU5.6B2	
C7912	1-164-882-11	CERAMIC CHIP 220PF	5.00% 16V	D6010	8-719-081-67	DIODE M1FM3	
C7913	1-164-866-11	CERAMIC CHIP 47PF	5.00% 50V	D6011	8-719-081-67	DIODE M1FM3	
C7914	1-164-870-11	CERAMIC CHIP 68PF	5.00% 50V	D6013	8-719-081-67	DIODE M1FM3	
C7915	1-114-325-11	CERAMIC CHIP 0.1UF	10% 25V	D6014	6-502-252-01	DI KDZTR5.6B	
C7916	1-114-325-11	CERAMIC CHIP 0.1UF	10% 25V	D6015	6-502-248-01	DI KDZTR3.9B	
C7917	1-114-407-21	ELECT CHIP 4.7UF	20% 50V	D6017	6-502-248-01	DI KDZTR3.9B	
C7919	1-115-670-11	ELECT CHIP 220UF	20.00% 35V	D6020	6-501-614-01	DIODE PZU5.6B2	
C7920	1-115-670-11	ELECT CHIP 220UF	20.00% 35V	D6021	6-501-614-01	DIODE PZU5.6B2	
C7921	1-114-325-11	CERAMIC CHIP 0.1UF	10% 25V	D6022	6-501-614-01	DIODE PZU5.6B2	
C7922	1-114-325-11	CERAMIC CHIP 0.1UF	10% 25V	D6023	6-501-614-01	DIODE PZU5.6B2	
C7923	1-114-813-11	CERAMIC CHIP 1UF	10% 16V	D6024	6-501-614-01	DIODE PZU5.6B2	
C7924	1-114-813-11	CERAMIC CHIP 1UF	10% 16V				
C7925	1-114-326-11	CERAMIC CHIP 0.22UF	10% 25V	ET4014	1-780-317-11	TERMINAL	
C7926	1-114-326-11	CERAMIC CHIP 0.22UF	10% 25V			< FUSE >	
C7927	1-114-326-11	CERAMIC CHIP 0.22UF	10% 25V				
				F4500	$\Delta$ 1-576-646-11	FUSE	0.5A 5
C7928	1-114-326-11	CERAMIC CHIP 0.22UF	10% 25V	F6000	$\Delta$ 1-576-933-21	FUSE	5A 2
C7933	1-114-735-11	CERAMIC CHIP 0.68UF	10% 25V			< FERRITE BEAD >	
C7934	1-114-735-11	CERAMIC CHIP 0.68UF	10% 25V				
C7935	1-114-735-11	CERAMIC CHIP 0.68UF	10% 25V	FB2002	1-400-461-21	FERRITE	OUH
C7936	1-114-735-11	CERAMIC CHIP 0.68UF	10% 25V	FB2003	1-400-461-21	FERRITE	OUH
				FB3000	1-400-693-21	FERRITE	OUH
				FB3001	1-400-693-21	FERRITE	OUH

REF.NO.	PART.NO	DESCRIPTION	REMARK	REF.NO.	PART.NO	DESCRIPTION	REMARK
FB3002	1-400-693-21	FERRITE	OUH			< FILTER >	
FB3003	1-400-693-21	FERRITE	OUH				
FB4003	1-481-467-11	FERRITE	OUH	FL4001	1-234-494-21	FILTER, EMI REMOVAL (SMD)	
FB4004	1-481-467-11	FERRITE	OUH	FL4002	1-234-939-21	FILTER, EMI REMOVAL (SMD)	
FB4005	1-481-467-11	FERRITE	OUH	FL4003	1-234-939-21	FILTER, EMI REMOVAL (SMD)	
				FL4004	1-234-939-21	FILTER, EMI REMOVAL (SMD)	
				FL4005	1-234-939-21	FILTER, EMI REMOVAL (SMD)	
FB4010	1-481-467-11	FERRITE	OUH				
FB4011	1-481-467-11	FERRITE	OUH				
FB4013	1-481-467-11	FERRITE	OUH	FL4006	1-234-939-21	FILTER, EMI REMOVAL (SMD)	
FB4014	1-481-467-11	FERRITE	OUH	FL4007	1-234-939-21	FILTER, EMI REMOVAL (SMD)	
FB4015	1-481-467-11	FERRITE	OUH	FL4008	1-234-939-21	FILTER, EMI REMOVAL (SMD)	
				FL4009	1-234-939-21	FILTER, EMI REMOVAL (SMD)	
				FL4010	1-234-939-21	FILTER, EMI REMOVAL (SMD)	
FB4016	1-481-467-11	FERRITE	OUH				
FB4017	1-481-467-11	FERRITE	OUH				
FB4100	1-400-461-21	FERRITE	OUH	FL4301	1-234-939-21	FILTER, EMI REMOVAL (SMD)	
FB4101	1-400-461-21	FERRITE	OUH	FL4700	1-234-939-21	FILTER, EMI REMOVAL (SMD)	
FB4102	1-469-084-21	FERRITE	OMH	FL4701	1-234-939-21	FILTER, EMI REMOVAL (SMD)	
				FL5500	1-234-939-21	FILTER, EMI REMOVAL (SMD)	
				FL5501	1-234-939-21	FILTER, EMI REMOVAL (SMD)	
FB4103	1-469-084-21	FERRITE	OMH			< IC >	
FB4104	1-469-084-21	FERRITE	OMH	IC2000	6-713-949-01	IC TDA10048HN/C200	
FB4106	1-469-084-21	FERRITE	OMH	IC4100	6-713-333-01	IC PST8429UL	
FB4107	1-469-084-21	FERRITE	OMH	IC4102	6-702-688-01	IC M24C64-WMN6T (B)	
FB4108	1-481-467-11	FERRITE	OUH	IC4105	6-711-288-01	IC MIC2005-0.5YM6TR	
				IC4106	6-708-624-01	IC M25P10-AVMN6TP	
FB4301	1-400-940-21	FERRITE	OUH				
FB4302	1-400-940-21	FERRITE	OUH	IC4500	6-704-600-01	IC M24C02-WMN6T (B)	
FB4303	1-400-940-21	FERRITE	OUH	IC4701	6-713-111-01	IC NAND512W3A2CN6F	
FB4500	1-400-462-21	FERRITE	OUH	IC4702	6-712-189-01	IC EDE5116AJBG-6E-E	
FB4501	1-469-080-11	FERRITE	OUH	IC4703	6-712-189-01	IC EDE5116AJBG-6E-E	
				IC5503	6-713-962-01	IC TDA9995HL/C1	
FB4502	1-469-080-11	FERRITE	OUH	IC6000	6-706-419-01	IC LM393DT (A)	
FB4503	1-469-080-11	FERRITE	OUH	IC6001	6-709-932-01	IC MM3141CNRE	
FB4700	1-481-467-11	FERRITE	OUH	IC6002	6-709-607-01	IC LA5795T-TLM-E	
FB6000	1-400-331-11	FERRITE	OUH	IC6003	6-708-762-01	IC PQ200WNA1ZPH	
FB6001	1-400-331-11	FERRITE	OUH	IC6004	6-711-586-01	IC ME2303DN-LF-Z	
				IC6005	6-711-586-01	IC ME2303DN-LF-Z	
				IC6007	6-711-586-01	IC ME2303DN-LF-Z	
FB6002	1-400-331-11	FERRITE	OUH	IC6008	6-708-603-01	IC PQ070XNA1ZPH	
FB6003	1-400-331-11	FERRITE	OUH	IC6009	6-708-603-01	IC PQ070XNA1ZPH	
FB6004	1-400-915-21	FERRITE	OUH	IC6010	6-712-750-01	IC MM3143DNRE	
FB6005	1-400-915-21	FERRITE	OUH				
FB6006	1-400-915-21	FERRITE	OUH	IC6011	6-711-132-01	IC MM3291CNRE	
				IC7301	6-712-563-01	IC 74LVC245APW-118	
FB6008	1-400-915-21	FERRITE	OUH	IC7302	8-759-644-48	IC 74LVC541APW	
FB6009	1-400-940-21	FERRITE	OUH	IC7303	8-759-644-48	IC 74LVC541APW	
FB6010	1-400-461-21	FERRITE	OUH	IC7304	8-759-644-48	IC 74LVC541APW	
FB7300	1-469-869-21	FERRITE	OUH				
FB7301	1-400-834-11	FERRITE	OUH	IC7305	6-711-288-01	IC MIC2005-0.5YM6TR	
				IC7801	8-753-314-50	IC CXA3785R-T6	
FB7302	1-400-834-11	FERRITE	OUH	IC7900	6-712-648-01	IC TPA9810T-N1	
FB7303	1-400-834-11	FERRITE	OUH			< SOCKET >	
FB7304	1-400-834-11	FERRITE	OUH	J3000	1-822-581-12	MULTIPLE PHONO JACK 4P	
FB7800	1-400-834-11	FERRITE	OUH				
FB7900	1-400-089-21	FERRITE	OUH				
FB7901	1-400-089-21	FERRITE	OUH				
FB7902	1-400-089-21	FERRITE	OUH				
FB7903	1-400-089-21	FERRITE	OUH				

**Note :** The components identified by shading and marked  $\Delta$  are critical for safety. Replace only with the part numbers specified in the parts list.

REF.NO.	PART.NO	DESCRIPTION	REMARK	REF.NO.	PART.NO	DESCRIPTION	REMARK
J3001	*1-822-524-31	PHONO JACK 2P		PS6005 $\Delta$	1-576-736-41	IC LINK	3.15A 2
J3002	1-822-523-11	PHONO JACK 5P					
J7800	1-822-528-11	JACK					
		< COIL >				< TRANSISTOR >	
L2000	1-469-549-21	INDUCTOR	1UH	Q2000	6-551-775-01	TR 2SA2122G0LS0	
L2001	1-469-555-21	INDUCTOR	10UH	Q2002	6-551-776-01	TR 2SC5950G0LS0	
L2002	1-469-555-21	INDUCTOR	10UH	Q2010	6-551-776-01	TR 2SC5950G0LS0	
L2003	1-469-555-21	INDUCTOR	10UH	Q2011	6-551-776-01	TR 2SC5950G0LS0	
L2004	1-469-555-21	INDUCTOR	10UH	Q3000	6-551-776-01	TR 2SC5950G0LS0	
L2005	1-481-329-21	INDUCTOR	100NH	Q3001	6-551-776-01	TR 2SC5950G0LS0	
L2006	1-481-329-21	INDUCTOR	100NH	Q3002	6-551-776-01	TR 2SC5950G0LS0	
L2007	1-469-549-21	INDUCTOR	1UH	Q3003	6-551-776-01	TR 2SC5950G0LS0	
L2008	1-469-549-21	INDUCTOR	1UH	Q3004	6-551-775-01	TR 2SA2122G0LS0	
L2009	1-469-549-21	INDUCTOR	1UH	Q3005	6-551-775-01	TR 2SA2122G0LS0	
L2010	1-469-549-21	INDUCTOR	1UH	Q3006	6-551-776-01	TR 2SC5950G0LS0	
L2012	1-469-549-21	INDUCTOR	1UH	Q3007	6-551-776-01	TR 2SC5950G0LS0	
L2013	1-469-549-21	INDUCTOR	1UH	Q4700	6-551-817-01	TR UMR52A3G0LS0	
L2015	1-481-329-21	INDUCTOR	100NH	Q5500	8-729-028-28	TRANSISTOR 2SK2036 (TE85L)	
L2016	1-481-329-21	INDUCTOR	100NH	Q5502	6-551-775-01	TR 2SA2122G0LS0	
L2017	1-469-555-21	INDUCTOR	10UH	Q5503	6-551-775-01	TR 2SA2122G0LS0	
L2018	1-469-555-21	INDUCTOR	10UH	Q6000	6-551-775-01	TR 2SA2122G0LS0	
L2019	1-469-555-21	INDUCTOR	10UH	Q6001	6-551-817-01	TR UMR52A3G0LS0	
L4101	1-457-374-21	INDUCTOR	0UH	Q6004	6-551-776-01	TR 2SC5950G0LS0	
L4300	1-456-583-11	INDUCTOR	0UH	Q6005	6-551-817-01	TR UMR52A3G0LS0	
L4301	1-456-583-11	INDUCTOR	0UH	Q6007	6-551-776-01	TR 2SC5950G0LS0	
L4302	1-456-583-11	INDUCTOR	0UH	Q6008	6-551-776-01	TR 2SC5950G0LS0	
L4303	1-456-583-11	INDUCTOR	0UH	Q6009	8-729-028-28	TRANSISTOR 2SK2036 (TE85L)	
L4304	1-456-583-11	INDUCTOR	0UH	Q6010	6-551-776-01	TR 2SC5950G0LS0	
L4305	1-456-583-11	INDUCTOR	0UH	Q6012	6-550-354-01	TRANSISTOR RTQ035P02TR	
L4306	1-456-583-11	INDUCTOR	0UH	Q6013	6-551-775-01	TR 2SA2122G0LS0	
L4307	1-456-583-11	INDUCTOR	0UH	Q7801	6-551-551-01	TRANSISTOR RT3N77M-TP-1	
L4308	1-456-583-11	INDUCTOR	0UH	Q7802	6-551-551-01	TRANSISTOR RT3N77M-TP-1	
L4309	1-456-583-11	INDUCTOR	0UH	Q7803	6-551-551-01	TRANSISTOR RT3N77M-TP-1	
L4310	1-400-180-21	FERRITE	0UH	Q7807	6-551-551-01	TRANSISTOR RT3N77M-TP-1	
L6000	1-481-329-21	INDUCTOR	100NH	Q7901	6-551-815-01	TR UMR52A1G0LS0	
L6001	1-457-509-11	INDUCTOR	10UH			< RESISTOR >	
L6002	1-457-509-11	INDUCTOR	10UH	R2000	1-218-953-11	METAL CHIP 1K 5% 1/16W	
L6004	1-457-497-11	INDUCTOR	4.7UH	R2001	1-218-977-11	METAL CHIP 100K 5% 1/16W	
L6005	1-400-180-21	FERRITE	0UH	R2003	1-216-833-11	METAL CHIP 10K 5% 1/10W	
L6006	1-400-180-21	FERRITE	0UH	R2004	1-218-990-81	SHORT CHIP 0	
L7800	1-469-549-21	INDUCTOR	1UH	R2006	1-218-990-81	SHORT CHIP 0	
L7907	1-457-754-11	INDUCTOR	22UH	R2007	1-218-990-81	SHORT CHIP 0	
L7908	1-457-754-11	INDUCTOR	22UH	R2008	1-218-990-81	SHORT CHIP 0	
		< PROTECTOR MODULE >		R2009	1-218-990-81	SHORT CHIP 0	
PS6000 $\Delta$	1-576-736-41	IC LINK	3.15A 24V	R2010	1-218-953-11	METAL CHIP 1K 5% 1/16W	
PS6001 $\Delta$	1-576-736-41	IC LINK	3.15A 24V	R2011	1-216-833-11	METAL CHIP 10K 5% 1/10W	
PS6002 $\Delta$	1-576-736-41	IC LINK	3.15A 24V	R2012	1-216-833-11	METAL CHIP 10K 5% 1/10W	
PS6003 $\Delta$	1-576-736-41	IC LINK	3.15A 24V	R2013	1-218-953-11	METAL CHIP 1K 5% 1/16W	
				R2014	1-216-833-11	METAL CHIP 10K 5% 1/10W	

REF.NO.	PART.NO	DESCRIPTION	REMARK	REF.NO.	PART.NO	DESCRIPTION	REMARK
R2015	1-218-941-81	METAL CHIP	100 5% 1/16W	R3030	1-218-953-11	METAL CHIP	1K 5% 1/16W
R2016	1-218-941-81	METAL CHIP	100 5% 1/16W	R3034	1-208-695-11	METAL CHIP	3.3K 0.5% 1/16W
R2018	1-218-990-81	SHORT CHIP	0	R3035	1-216-864-11	SHORT CHIP	0
R2020	1-218-990-81	SHORT CHIP	0	R3036	1-216-864-11	SHORT CHIP	0
R2021	1-216-833-11	METAL CHIP	10K 5% 1/10W	R3037	1-208-683-11	METAL CHIP	1K 0.5% 1/16W
R2022	1-216-833-11	METAL CHIP	10K 5% 1/10W	R3038	1-208-860-81	METAL CHIP	75 0.5% 1/16W
R2024	1-218-933-11	METAL CHIP	22 5% 1/16W	R3039	1-208-695-11	METAL CHIP	3.3K 0.5% 1/16W
R2026	1-218-990-81	SHORT CHIP	0	R3040	1-218-985-11	METAL CHIP	470K 5% 1/16W
R2028	1-218-990-81	SHORT CHIP	0	R3042	1-216-853-11	METAL CHIP	470K 5% 1/10W
R2029	1-218-990-81	SHORT CHIP	0	R3043	1-216-853-11	METAL CHIP	470K 5% 1/10W
R2030	1-218-990-81	SHORT CHIP	0	R3044	1-216-853-11	METAL CHIP	470K 5% 1/10W
R2031	1-218-990-81	SHORT CHIP	0	R3045	1-216-853-11	METAL CHIP	470K 5% 1/10W
R2032	1-218-990-81	SHORT CHIP	0	R3046	1-208-860-81	METAL CHIP	75 0.5% 1/16W
R2033	1-218-990-81	SHORT CHIP	0	R3047	1-218-985-11	METAL CHIP	470K 5% 1/16W
R2035	1-218-990-81	SHORT CHIP	0	R3050	1-218-985-11	METAL CHIP	470K 5% 1/16W
R2037	1-208-889-11	METAL CHIP	1.2K 0.5% 1/16W	R3051	1-216-853-11	METAL CHIP	470K 5% 1/10W
R2038	1-208-889-11	METAL CHIP	1.2K 0.5% 1/16W	R3052	1-216-853-11	METAL CHIP	470K 5% 1/10W
R2039	1-218-990-81	SHORT CHIP	0	R3053	1-216-853-11	METAL CHIP	470K 5% 1/10W
R2042	1-218-941-81	METAL CHIP	100 5% 1/16W	R3054	1-216-853-11	METAL CHIP	470K 5% 1/10W
R2044	1-208-869-11	METAL CHIP	180 0.5% 1/16W	R3055	1-208-927-11	METAL CHIP	47K 0.5% 1/16W
R2047	1-218-941-81	METAL CHIP	100 5% 1/16W	R3056	1-218-985-11	METAL CHIP	470K 5% 1/16W
R2049	1-218-941-81	METAL CHIP	100 5% 1/16W	R3060	1-216-853-11	METAL CHIP	470K 5% 1/10W
R2051	1-218-990-81	SHORT CHIP	0	R3061	1-216-853-11	METAL CHIP	470K 5% 1/10W
R2053	1-218-990-81	SHORT CHIP	0	R3062	1-216-811-11	METAL CHIP	150 5% 1/10W
R2055	1-218-990-81	SHORT CHIP	0	R3063	1-216-811-11	METAL CHIP	150 5% 1/10W
R2056	1-218-990-81	SHORT CHIP	0	R3064	1-216-817-11	METAL CHIP	470 5% 1/10W
R2063	1-218-990-81	SHORT CHIP	0	R3065	1-216-811-11	METAL CHIP	150 5% 1/10W
R2070	1-218-990-81	SHORT CHIP	0	R3066	1-216-817-11	METAL CHIP	470 5% 1/10W
R2071	1-218-990-81	SHORT CHIP	0	R3067	1-216-811-11	METAL CHIP	150 5% 1/10W
R2074	1-218-990-81	SHORT CHIP	0	R3068	1-208-713-11	METAL CHIP	18K 0.5% 1/16W
R2075	1-218-990-81	SHORT CHIP	0	R3069	1-216-833-11	METAL CHIP	10K 5% 1/10W
R2096	1-218-990-81	SHORT CHIP	0	R3070	1-218-953-11	METAL CHIP	1K 5% 1/16W
R2100	1-216-791-11	METAL CHIP	3.3 5% 1/10W	R3071	1-208-713-11	METAL CHIP	18K 0.5% 1/16W
R2101	1-208-855-81	METAL CHIP	47 0.5% 1/16W	R3072	1-216-833-11	METAL CHIP	10K 5% 1/10W
R3003	1-218-947-11	METAL CHIP	330 5% 1/16W	R3073	1-218-953-11	METAL CHIP	1K 5% 1/16W
R3004	1-218-941-81	METAL CHIP	100 5% 1/16W	R3079	1-218-941-81	METAL CHIP	100 5% 1/16W
R3005	1-218-947-11	METAL CHIP	330 5% 1/16W	R3080	1-218-941-81	METAL CHIP	100 5% 1/16W
R3006	1-218-941-81	METAL CHIP	100 5% 1/16W	R4000	1-218-965-11	METAL CHIP	10K 5% 1/16W
R3007	1-216-821-11	METAL CHIP	1K 5% 1/10W	R4001	1-216-864-11	SHORT CHIP	0
R3008	1-216-821-11	METAL CHIP	1K 5% 1/10W	R4007	1-216-864-11	SHORT CHIP	0
R3009	1-218-990-81	SHORT CHIP	0	R4008	1-216-864-11	SHORT CHIP	0
R3010	1-218-990-81	SHORT CHIP	0	R4009	1-218-990-81	SHORT CHIP	0
R3012	1-216-853-11	METAL CHIP	470K 5% 1/10W	R4010	1-216-864-11	SHORT CHIP	0
R3013	1-216-853-11	METAL CHIP	470K 5% 1/10W	R4011	1-218-990-81	SHORT CHIP	0
R3015	1-218-953-11	METAL CHIP	1K 5% 1/16W	R4103	1-218-965-11	METAL CHIP	10K 5% 1/16W
R3016	1-208-860-81	METAL CHIP	75 0.5% 1/16W	R4106	1-218-990-81	SHORT CHIP	0
R3017	1-218-953-11	METAL CHIP	1K 5% 1/16W	R4107	1-218-990-81	SHORT CHIP	0
R3027	1-208-683-11	METAL CHIP	1K 0.5% 1/16W	R4109	1-218-965-11	METAL CHIP	10K 5% 1/16W
R3028	1-208-860-81	METAL CHIP	75 0.5% 1/16W	R4114	1-218-965-11	METAL CHIP	10K 5% 1/16W
R3029	1-218-953-11	METAL CHIP	1K 5% 1/16W	R4115	1-218-973-11	METAL CHIP	47K 5% 1/16W

REF.NO.	PART.NO	DESCRIPTION	REMARK	REF.NO.	PART.NO	DESCRIPTION	REMARK
R4118	1-218-957-11	METAL CHIP	2.2K 5% 1/16W	R4186	1-218-963-11	METAL CHIP	6.8K 5% 1/16W
R4119	1-218-957-11	METAL CHIP	2.2K 5% 1/16W	R4187	1-218-963-11	METAL CHIP	6.8K 5% 1/16W
R4120	1-218-957-11	METAL CHIP	2.2K 5% 1/16W	R4188	1-218-957-11	METAL CHIP	2.2K 5% 1/16W
R4121	1-218-957-11	METAL CHIP	2.2K 5% 1/16W	R4189	1-218-957-11	METAL CHIP	2.2K 5% 1/16W
R4122	1-218-965-11	METAL CHIP	10K 5% 1/16W	R4193	1-218-990-81	SHORT CHIP	0
R4124	1-218-941-81	METAL CHIP	100 5% 1/16W	R4197	1-218-990-81	SHORT CHIP	0
R4125	1-218-941-81	METAL CHIP	100 5% 1/16W	R4198	1-218-965-11	METAL CHIP	10K 5% 1/16W
R4126	1-218-965-11	METAL CHIP	10K 5% 1/16W	R4199	1-218-965-11	METAL CHIP	10K 5% 1/16W
R4128	1-218-965-11	METAL CHIP	10K 5% 1/16W	R4200	1-218-965-11	METAL CHIP	10K 5% 1/16W
R4129	1-218-965-11	METAL CHIP	10K 5% 1/16W	R4201	1-218-941-81	METAL CHIP	100 5% 1/16W
R4130	1-218-965-11	METAL CHIP	10K 5% 1/16W	R4202	1-218-941-81	METAL CHIP	100 5% 1/16W
R4131	1-218-965-11	METAL CHIP	10K 5% 1/16W	R4300	1-218-943-11	METAL CHIP	150 5% 1/16W
R4132	1-218-941-81	METAL CHIP	100 5% 1/16W	R4301	1-218-943-11	METAL CHIP	150 5% 1/16W
R4134	1-218-935-11	METAL CHIP	33 5% 1/16W	R4302	1-218-965-11	METAL CHIP	10K 5% 1/16W
R4135	1-218-935-11	METAL CHIP	33 5% 1/16W	R4303	1-218-943-11	METAL CHIP	150 5% 1/16W
R4136	1-218-941-81	METAL CHIP	100 5% 1/16W	R4304	1-218-943-11	METAL CHIP	150 5% 1/16W
R4137	1-218-965-11	METAL CHIP	10K 5% 1/16W	R4305	1-218-957-11	METAL CHIP	2.2K 5% 1/16W
R4138	1-218-941-81	METAL CHIP	100 5% 1/16W	R4306	1-218-943-11	METAL CHIP	150 5% 1/16W
R4139	1-208-709-11	METAL CHIP	12K 0.5% 1/16W	R4307	1-218-943-11	METAL CHIP	150 5% 1/16W
R4140	1-218-965-11	METAL CHIP	10K 5% 1/16W	R4308	1-218-938-11	METAL CHIP	56 5% 1/16W
R4141	1-218-955-11	METAL CHIP	1.5K 5% 1/16W	R4309	1-218-938-11	METAL CHIP	56 5% 1/16W
R4142	1-218-965-11	METAL CHIP	10K 5% 1/16W	R4310	1-220-876-81	METAL CHIP	18 0.5% 1/16W
R4143	1-218-990-81	SHORT CHIP	0	R4311	1-220-876-81	METAL CHIP	18 0.5% 1/16W
R4144	1-218-990-81	SHORT CHIP	0	R4312	1-218-943-11	METAL CHIP	150 5% 1/16W
R4147	1-218-941-81	METAL CHIP	100 5% 1/16W	R4313	1-218-943-11	METAL CHIP	150 5% 1/16W
R4148	1-218-941-81	METAL CHIP	100 5% 1/16W	R4314	1-218-966-11	METAL CHIP	12K 5% 1/16W
R4149	1-218-941-81	METAL CHIP	100 5% 1/16W	R4315	1-208-671-11	METAL CHIP	330 0.5% 1/16W
R4150	1-218-941-81	METAL CHIP	100 5% 1/16W	R4316	1-208-855-81	METAL CHIP	47 0.5% 1/16W
R4152	1-218-965-11	METAL CHIP	10K 5% 1/16W	R4317	1-208-855-81	METAL CHIP	47 0.5% 1/16W
R4160	1-218-965-11	METAL CHIP	10K 5% 1/16W	R4318	1-208-855-81	METAL CHIP	47 0.5% 1/16W
R4161	1-218-965-11	METAL CHIP	10K 5% 1/16W	R4319	1-218-990-81	SHORT CHIP	0
R4162	1-218-965-11	METAL CHIP	10K 5% 1/16W	R4320	1-218-938-11	METAL CHIP	56 5% 1/16W
R4164	1-218-965-11	METAL CHIP	10K 5% 1/16W	R4321	1-208-663-11	METAL CHIP	150 0.5% 1/16W
R4165	1-218-965-11	METAL CHIP	10K 5% 1/16W	R4322	1-218-990-81	SHORT CHIP	0
R4166	1-218-965-11	METAL CHIP	10K 5% 1/16W	R4323	1-218-990-81	SHORT CHIP	0
R4167	1-218-965-11	METAL CHIP	10K 5% 1/16W	R4324	1-220-880-81	METAL CHIP	27 0.5% 1/16W
R4168	1-218-990-81	SHORT CHIP	0	R4325	1-218-938-11	METAL CHIP	56 5% 1/16W
R4169	1-218-990-81	SHORT CHIP	0	R4326	1-218-938-11	METAL CHIP	56 5% 1/16W
R4170	1-218-965-11	METAL CHIP	10K 5% 1/16W	R4327	1-218-938-11	METAL CHIP	56 5% 1/16W
R4171	1-218-965-11	METAL CHIP	10K 5% 1/16W	R4328	1-220-880-81	METAL CHIP	27 0.5% 1/16W
R4172	1-218-965-11	METAL CHIP	10K 5% 1/16W	R4329	1-220-876-81	METAL CHIP	18 0.5% 1/16W
R4173	1-218-965-11	METAL CHIP	10K 5% 1/16W	R4330	1-218-948-11	METAL CHIP	390 5% 1/16W
R4174	1-218-965-11	METAL CHIP	10K 5% 1/16W	R4331	1-220-876-81	METAL CHIP	18 0.5% 1/16W
R4175	1-218-965-11	METAL CHIP	10K 5% 1/16W	R4332	1-220-876-81	METAL CHIP	18 0.5% 1/16W
R4176	1-218-965-11	METAL CHIP	10K 5% 1/16W	R4333	1-220-876-81	METAL CHIP	18 0.5% 1/16W
R4178	1-218-965-11	METAL CHIP	10K 5% 1/16W	R4334	1-220-880-81	METAL CHIP	27 0.5% 1/16W
R4179	1-218-965-11	METAL CHIP	10K 5% 1/16W	R4335	1-218-938-11	METAL CHIP	56 5% 1/16W
R4180	1-218-965-11	METAL CHIP	10K 5% 1/16W	R4336	1-218-938-11	METAL CHIP	56 5% 1/16W
R4182	1-218-965-11	METAL CHIP	10K 5% 1/16W	R4337	1-218-938-11	METAL CHIP	56 5% 1/16W
R4184	1-218-965-11	METAL CHIP	10K 5% 1/16W	R4338	1-218-948-11	METAL CHIP	390 5% 1/16W

REF.NO.	PART.NO	DESCRIPTION	REMARK	REF.NO.	PART.NO	DESCRIPTION	REMARK
R4339	1-220-876-81	METAL CHIP	18 0.5% 1/16W	R4717	1-218-957-11	METAL CHIP	2.2K 5% 1/16W
R4340	1-220-876-81	METAL CHIP	18 0.5% 1/16W	R4718	1-218-965-11	METAL CHIP	10K 5% 1/16W
R4341	1-220-876-81	METAL CHIP	18 0.5% 1/16W	R4720	1-208-677-11	METAL CHIP	560 0.5% 1/16W
R4342	1-218-938-11	METAL CHIP	56 5% 1/16W	R4721	1-208-677-11	METAL CHIP	560 0.5% 1/16W
R4343	1-218-938-11	METAL CHIP	56 5% 1/16W	R4726	1-218-941-81	METAL CHIP	100 5% 1/16W
R4344	1-218-938-11	METAL CHIP	56 5% 1/16W	R4728	1-218-941-81	METAL CHIP	100 5% 1/16W
R4345	1-220-876-81	METAL CHIP	18 0.5% 1/16W	R4742	1-218-935-11	METAL CHIP	33 5% 1/16W
R4346	1-220-876-81	METAL CHIP	18 0.5% 1/16W	R4743	1-218-935-11	METAL CHIP	33 5% 1/16W
R4347	1-220-876-81	METAL CHIP	18 0.5% 1/16W	R4744	1-218-935-11	METAL CHIP	33 5% 1/16W
R4348	1-218-990-81	SHORT CHIP	0	R4745	1-218-935-11	METAL CHIP	33 5% 1/16W
R4361	1-218-953-11	METAL CHIP	1K 5% 1/16W	R4749	1-218-935-11	METAL CHIP	33 5% 1/16W
R4362	1-218-961-11	METAL CHIP	4.7K 5% 1/16W	R4750	1-218-935-11	METAL CHIP	33 5% 1/16W
R4363	1-218-961-11	METAL CHIP	4.7K 5% 1/16W	R4751	1-218-935-11	METAL CHIP	33 5% 1/16W
R4364	1-218-990-81	SHORT CHIP	0	R4752	1-218-935-11	METAL CHIP	33 5% 1/16W
R4365	1-218-990-81	SHORT CHIP	0	R4753	1-218-935-11	METAL CHIP	33 5% 1/16W
R4366	1-218-990-81	SHORT CHIP	0	R4754	1-218-935-11	METAL CHIP	33 5% 1/16W
R4367	1-218-990-81	SHORT CHIP	0	R4755	1-218-935-11	METAL CHIP	33 5% 1/16W
R4368	1-218-990-81	SHORT CHIP	0	R4756	1-218-935-11	METAL CHIP	33 5% 1/16W
R4369	1-218-990-81	SHORT CHIP	0	R4757	1-218-935-11	METAL CHIP	33 5% 1/16W
R4378	1-218-990-81	SHORT CHIP	0	R4758	1-218-935-11	METAL CHIP	33 5% 1/16W
R4379	1-218-990-81	SHORT CHIP	0	R4765	1-220-169-11	METAL CHIP	75 5% 1/16W
R4388	1-218-990-81	SHORT CHIP	0	R4766	1-220-169-11	METAL CHIP	75 5% 1/16W
R4389	1-218-990-81	SHORT CHIP	0	R5509	1-208-893-11	METAL CHIP	1.8K 0.5% 1/16W
R4390	1-218-990-81	SHORT CHIP	0	R5510	1-208-893-11	METAL CHIP	1.8K 0.5% 1/16W
R4391	1-218-990-81	SHORT CHIP	0	R5511	1-208-709-11	METAL CHIP	12K 0.5% 1/16W
R4392	1-218-990-81	SHORT CHIP	0	R5512	1-218-990-81	SHORT CHIP	0
R4393	1-218-990-81	SHORT CHIP	0	R5513	1-218-990-81	SHORT CHIP	0
R4394	1-218-990-81	SHORT CHIP	0	R5515	1-218-961-11	METAL CHIP	4.7K 5% 1/16W
R4500	1-218-937-11	METAL CHIP	47 5% 1/16W	R5521	1-218-970-11	METAL CHIP	27K 5% 1/16W
R4504	1-218-937-11	METAL CHIP	47 5% 1/16W	R5524	1-218-966-11	METAL CHIP	12K 5% 1/16W
R4505	1-216-864-11	SHORT CHIP	0	R5526	1-218-965-11	METAL CHIP	10K 5% 1/16W
R4506	1-218-961-11	METAL CHIP	4.7K 5% 1/16W	R5527	1-218-969-11	METAL CHIP	22K 5% 1/16W
R4507	1-218-965-11	METAL CHIP	10K 5% 1/16W	R5528	1-218-961-11	METAL CHIP	4.7K 5% 1/16W
R4508	1-218-965-11	METAL CHIP	10K 5% 1/16W	R5529	1-218-941-81	METAL CHIP	100 5% 1/16W
R4509	1-218-937-11	METAL CHIP	47 5% 1/16W	R5530	1-218-965-11	METAL CHIP	10K 5% 1/16W
R4510	1-218-937-11	METAL CHIP	47 5% 1/16W	R5534	1-218-969-11	METAL CHIP	22K 5% 1/16W
R4511	1-218-961-11	METAL CHIP	4.7K 5% 1/16W	R5535	1-218-990-81	SHORT CHIP	0
R4517	1-208-691-11	METAL CHIP	2.2K 0.5% 1/16W	R5536	1-218-990-81	SHORT CHIP	0
R4518	1-218-977-11	METAL CHIP	100K 5% 1/16W	R5537	1-218-990-81	SHORT CHIP	0
R4525	1-218-941-81	METAL CHIP	100 5% 1/16W	R5541	1-218-990-81	SHORT CHIP	0
R4526	1-218-941-81	METAL CHIP	100 5% 1/16W	R6000	1-218-941-81	METAL CHIP	100 5% 1/16W
R4700	1-218-953-11	METAL CHIP	1K 5% 1/16W	R6002	1-218-965-11	METAL CHIP	10K 5% 1/16W
R4702	1-218-965-11	METAL CHIP	10K 5% 1/16W	R6003	1-218-965-11	METAL CHIP	10K 5% 1/16W
R4705	1-218-941-81	METAL CHIP	100 5% 1/16W	R6005	1-218-957-11	METAL CHIP	2.2K 5% 1/16W
R4706	1-218-935-11	METAL CHIP	33 5% 1/16W	R6007	1-218-953-11	METAL CHIP	1K 5% 1/16W
R4708	1-218-952-11	METAL CHIP	820 5% 1/16W	R6010	1-218-965-11	METAL CHIP	10K 5% 1/16W
R4709	1-218-962-11	METAL CHIP	5.6K 5% 1/16W	R6012	1-218-974-11	METAL CHIP	56K 5% 1/16W
R4710	1-218-935-11	METAL CHIP	33 5% 1/16W	R6014	1-218-961-11	METAL CHIP	4.7K 5% 1/16W
R4711	1-218-935-11	METAL CHIP	33 5% 1/16W	R6016	1-218-973-11	METAL CHIP	47K 5% 1/16W
R4713	1-218-935-11	METAL CHIP	33 5% 1/16W	R6017	1-218-961-11	METAL CHIP	4.7K 5% 1/16W

REF.NO.	PART.NO	DESCRIPTION	REMARK	REF.NO.	PART.NO	DESCRIPTION	REMARK
R6018	1-218-965-11	METAL CHIP	10K 5% 1/16W	R6123	1-218-965-11	METAL CHIP	10K 5% 1/16W
R6020	1-218-990-81	SHORT CHIP	0	R6124	1-218-990-81	SHORT CHIP	0
R6021	1-218-957-11	METAL CHIP	2.2K 5% 1/16W	R6125	1-218-990-81	SHORT CHIP	0
R6025	1-218-941-81	METAL CHIP	100 5% 1/16W	R6126	1-218-990-81	SHORT CHIP	0
R6026	1-218-965-11	METAL CHIP	10K 5% 1/16W	R6128	1-216-791-11	METAL CHIP	3.3 5% 1/10W
R6030	1-216-864-11	SHORT CHIP	0	R6135	1-216-864-11	SHORT CHIP	0
R6031	1-216-864-11	SHORT CHIP	0	R6136	1-216-864-11	SHORT CHIP	0
R6032	1-216-864-11	SHORT CHIP	0	R6137	1-216-864-11	SHORT CHIP	0
R6033	1-218-959-11	METAL CHIP	3.3K 5% 1/16W	R6138	1-208-709-11	METAL CHIP	12K 0.5% 1/16W
R6037	1-218-990-81	SHORT CHIP	0	R6139	1-216-864-11	SHORT CHIP	0
R6038	1-218-983-11	METAL CHIP	330K 5% 1/16W	R6140	1-216-864-11	SHORT CHIP	0
R6039	1-218-965-11	METAL CHIP	10K 5% 1/16W	R6141	1-216-864-11	SHORT CHIP	0
R6040	1-218-965-11	METAL CHIP	10K 5% 1/16W	R6142	1-216-864-11	SHORT CHIP	0
R6042	1-218-965-11	METAL CHIP	10K 5% 1/16W	R6143	1-216-864-11	SHORT CHIP	0
R6043	1-218-965-11	METAL CHIP	10K 5% 1/16W	R6144	1-216-864-11	SHORT CHIP	0
R6044	1-218-965-11	METAL CHIP	10K 5% 1/16W	R6147	1-218-990-81	SHORT CHIP	0
R6045	1-218-957-11	METAL CHIP	2.2K 5% 1/16W	R6148	1-218-990-81	SHORT CHIP	0
R6046	1-218-961-11	METAL CHIP	4.7K 5% 1/16W	R6149	1-218-941-81	METAL CHIP	100 5% 1/16W
R6047	1-218-937-11	METAL CHIP	47 5% 1/16W	R7300	1-218-961-11	METAL CHIP	4.7K 5% 1/16W
R6048	1-218-965-11	METAL CHIP	10K 5% 1/16W	R7301	1-218-937-11	METAL CHIP	47 5% 1/16W
R6049	1-208-931-11	METAL CHIP	68K 0.5% 1/16W	R7302	1-218-937-11	METAL CHIP	47 5% 1/16W
R6050	1-218-983-11	METAL CHIP	330K 5% 1/16W	R7303	1-218-943-11	METAL CHIP	150 5% 1/16W
R6052	1-218-971-11	METAL CHIP	33K 5% 1/16W	R7304	1-218-965-11	METAL CHIP	10K 5% 1/16W
R6053	1-218-975-11	METAL CHIP	68K 5% 1/16W	R7305	1-218-943-11	METAL CHIP	150 5% 1/16W
R6054	1-216-809-11	METAL CHIP	100 5% 1/10W	R7307	1-218-941-81	METAL CHIP	100 5% 1/16W
R6057	1-218-963-11	METAL CHIP	6.8K 5% 1/16W	R7308	1-218-943-11	METAL CHIP	150 5% 1/16W
R6058	1-218-967-11	METAL CHIP	15K 5% 1/16W	R7309	1-218-965-11	METAL CHIP	10K 5% 1/16W
R6060	1-218-969-11	METAL CHIP	22K 5% 1/16W	R7310	1-218-965-11	METAL CHIP	10K 5% 1/16W
R6061	1-218-990-81	SHORT CHIP	0	R7311	1-218-965-11	METAL CHIP	10K 5% 1/16W
R6065	1-218-990-81	SHORT CHIP	0	R7312	1-218-965-11	METAL CHIP	10K 5% 1/16W
R6066	1-218-990-81	SHORT CHIP	0	R7313	1-218-937-11	METAL CHIP	47 5% 1/16W
R6068	1-218-990-81	SHORT CHIP	0	R7314	1-218-965-11	METAL CHIP	10K 5% 1/16W
R6069	1-218-965-11	METAL CHIP	10K 5% 1/16W	R7315	1-218-965-11	METAL CHIP	10K 5% 1/16W
R6074	1-208-715-11	METAL CHIP	22K 0.5% 1/16W	R7316	1-218-965-11	METAL CHIP	10K 5% 1/16W
R6075	1-208-911-11	METAL CHIP	10K 0.5% 1/16W	R7317	1-218-965-11	METAL CHIP	10K 5% 1/16W
R6079	1-208-931-11	METAL CHIP	68K 0.5% 1/16W	R7318	1-218-965-11	METAL CHIP	10K 5% 1/16W
R6081	1-208-927-11	METAL CHIP	47K 0.5% 1/16W	R7319	1-218-965-11	METAL CHIP	10K 5% 1/16W
R6082	1-208-911-11	METAL CHIP	10K 0.5% 1/16W	R7320	1-218-965-11	METAL CHIP	10K 5% 1/16W
R6083	1-208-711-11	METAL CHIP	15K 0.5% 1/16W	R7321	1-218-965-11	METAL CHIP	10K 5% 1/16W
R6084	1-208-699-11	METAL CHIP	4.7K 0.5% 1/16W	R7322	1-218-965-11	METAL CHIP	10K 5% 1/16W
R6088	1-208-715-11	METAL CHIP	22K 0.5% 1/16W	R7323	1-218-953-11	METAL CHIP	1K 5% 1/16W
R6089	1-218-990-81	SHORT CHIP	0	R7328	1-218-965-11	METAL CHIP	10K 5% 1/16W
R6090	1-218-990-81	SHORT CHIP	0	R7329	1-218-965-11	METAL CHIP	10K 5% 1/16W
R6091	1-208-931-11	METAL CHIP	68K 0.5% 1/16W	R7330	1-218-937-11	METAL CHIP	47 5% 1/16W
R6092	1-208-715-11	METAL CHIP	22K 0.5% 1/16W	R7331	1-218-937-11	METAL CHIP	47 5% 1/16W
R6107	1-208-715-11	METAL CHIP	22K 0.5% 1/16W	R7332	1-218-937-11	METAL CHIP	47 5% 1/16W
R6108	1-208-927-11	METAL CHIP	47K 0.5% 1/16W	R7333	1-218-937-11	METAL CHIP	47 5% 1/16W
R6116	1-218-965-11	METAL CHIP	10K 5% 1/16W	R7800	1-218-935-11	METAL CHIP	33 5% 1/16W
R6121	1-218-953-11	METAL CHIP	1K 5% 1/16W	R7801	1-218-941-81	METAL CHIP	100 5% 1/16W
R6122	1-218-965-11	METAL CHIP	10K 5% 1/16W	R7802	1-208-860-81	METAL CHIP	75 0.5% 1/16W



REF.NO.	PART.NO	DESCRIPTION	REMARK	REF.NO.	PART.NO	DESCRIPTION	REMARK
R7803	1-218-961-11	METAL CHIP	4.7K 5% 1/16W	R7944	1-218-941-81	METAL CHIP 100 5% 1/16W	
R7804	1-211-969-11	METAL CHIP	10 0.5% 1/10W			< RESISTOR CHIP >	
R7805	1-218-953-11	METAL CHIP	1K 5% 1/16W				
R7806	1-218-953-11	METAL CHIP	1K 5% 1/16W				
R7809	1-220-880-81	METAL CHIP	27 0.5% 1/16W	RB2000	1-242-963-21	RES, NETWORK 33	(1005X4)
				RB2002	1-242-963-21	RES, NETWORK 33	(1005X4)
R7810	1-216-853-11	METAL CHIP	470K 5% 1/10W	RB2004	1-242-963-21	RES, NETWORK 33	(1005X4)
R7811	1-216-853-11	METAL CHIP	470K 5% 1/10W	RB4002	1-242-963-21	RES, NETWORK 33	(1005X4)
R7817	1-218-990-81	SHORT CHIP	0	RB4003	1-242-963-21	RES, NETWORK 33	(1005X4)
R7818	1-218-990-81	SHORT CHIP	0				
R7819	1-218-990-81	SHORT CHIP	0	RB4105	1-234-372-11	RES, NETWORK 100	(1005X4)
				RB4107	1-234-372-11	RES, NETWORK 100	(1005X4)
R7820	1-208-935-11	METAL CHIP	100K 0.5% 1/16W	RB4108	1-234-372-11	RES, NETWORK 100	(1005X4)
R7822	1-218-990-81	SHORT CHIP	0	RB4109	1-234-372-11	RES, NETWORK 100	(1005X4)
R7823	1-218-990-81	SHORT CHIP	0	RB4110	1-234-378-21	RES, NETWORK 10K	(1005X4)
R7824	1-211-969-11	METAL CHIP	10 0.5% 1/10W				
R7826	1-218-990-81	SHORT CHIP	0	RB4111	1-239-698-11	RESISTOR, NETWORK 10K	
				RB4115	1-239-674-81	RESISTOR, NETWORK 100	
R7827	1-218-953-11	METAL CHIP	1K 5% 1/16W	RB4116	1-239-698-11	RESISTOR, NETWORK 10K	
R7828	1-218-953-11	METAL CHIP	1K 5% 1/16W	RB4117	1-239-674-81	RESISTOR, NETWORK 100	
R7829	1-218-990-81	SHORT CHIP	0	RB4118	1-239-674-81	RESISTOR, NETWORK 100	
R7830	1-218-990-81	SHORT CHIP	0				
R7903	1-218-978-11	METAL CHIP	120K 5% 1/16W	RB4119	1-234-372-11	RES, NETWORK 100	(1005X4)
				RB4120	1-239-674-81	RESISTOR, NETWORK 100	
R7904	1-218-978-11	METAL CHIP	120K 5% 1/16W	RB4121	1-239-698-11	RESISTOR, NETWORK 10K	
R7905	1-218-978-11	METAL CHIP	120K 5% 1/16W	RB4122	1-239-698-11	RESISTOR, NETWORK 10K	
R7906	1-218-978-11	METAL CHIP	120K 5% 1/16W	RB4708	1-242-963-21	RES, NETWORK 33	(1005X4)
R7907	1-218-965-11	METAL CHIP	10K 5% 1/16W				
R7908	1-218-965-11	METAL CHIP	10K 5% 1/16W	RB4709	1-242-963-21	RES, NETWORK 33	(1005X4)
				RB4710	1-242-963-21	RES, NETWORK 33	(1005X4)
R7909	1-218-965-11	METAL CHIP	10K 5% 1/16W	RB4711	1-242-963-21	RES, NETWORK 33	(1005X4)
R7910	1-218-965-11	METAL CHIP	10K 5% 1/16W	RB4712	1-234-378-21	RES, NETWORK 10K	(1005X4)
R7911	1-218-965-11	METAL CHIP	10K 5% 1/16W	RB4713	1-234-378-21	RES, NETWORK 10K	(1005X4)
R7912	1-218-965-11	METAL CHIP	10K 5% 1/16W				
R7913	1-218-965-11	METAL CHIP	10K 5% 1/16W	RB4715	1-242-963-21	RES, NETWORK 33	(1005X4)
				RB4716	1-242-963-21	RES, NETWORK 33	(1005X4)
R7914	1-218-965-11	METAL CHIP	10K 5% 1/16W	RB4717	1-242-963-21	RES, NETWORK 33	(1005X4)
R7915	1-218-965-11	METAL CHIP	10K 5% 1/16W	RB4718	1-242-963-21	RES, NETWORK 33	(1005X4)
R7916	1-218-965-11	METAL CHIP	10K 5% 1/16W	RB4720	1-234-378-21	RES, NETWORK 10K	(1005X4)
R7917	1-218-965-11	METAL CHIP	10K 5% 1/16W				
R7918	1-218-965-11	METAL CHIP	10K 5% 1/16W	RB4721	1-200-051-21	RES, NETWORK 150	(1005X4)
				RB4722	1-200-051-21	RES, NETWORK 150	(1005X4)
R7919	1-211-969-11	METAL CHIP	10 0.5% 1/10W	RB4723	1-200-051-21	RES, NETWORK 150	(1005X4)
R7920	1-218-933-11	METAL CHIP	22 5% 1/16W	RB4724	1-234-723-21	RES, NETWORK 75	(1005X4)
R7921	1-218-965-11	METAL CHIP	10K 5% 1/16W	RB4725	1-234-723-21	RES, NETWORK 75	(1005X4)
R7922	1-218-981-91	METAL CHIP	220K 5% 1/16W				
R7923	1-218-965-11	METAL CHIP	10K 5% 1/16W	RB4726	1-200-051-21	RES, NETWORK 150	(1005X4)
				RB4727	1-200-051-21	RES, NETWORK 150	(1005X4)
R7930	1-218-990-81	SHORT CHIP	0	RB4728	1-200-051-21	RES, NETWORK 150	(1005X4)
R7931	1-218-990-81	SHORT CHIP	0	RB4729	1-242-963-21	RES, NETWORK 33	(1005X4)
R7932	1-218-990-81	SHORT CHIP	0	RB4730	1-242-963-21	RES, NETWORK 33	(1005X4)
R7933	1-218-990-81	SHORT CHIP	0				
R7934	1-216-864-11	SHORT CHIP	0	RB4731	1-242-963-21	RES, NETWORK 33	(1005X4)
				RB4732	1-242-963-21	RES, NETWORK 33	(1005X4)
R7935	1-216-864-11	SHORT CHIP	0	RB4733	1-242-963-21	RES, NETWORK 33	(1005X4)
R7936	1-216-864-11	SHORT CHIP	0	RB5500	1-239-706-81	RESISTOR, NETWORK 47K	
R7937	1-216-864-11	SHORT CHIP	0	RB5501	1-234-380-21	RES, NETWORK 47K	(1005X4)
R7938	1-216-864-11	SHORT CHIP	0				
R7939	1-216-864-11	SHORT CHIP	0	RB5502	1-239-674-81	RESISTOR, NETWORK 100	

REF.NO.	PART.NO	DESCRIPTION	REMARK	REF.NO.	PART.NO	DESCRIPTION	REMARK
RB7300	1-242-963-21	RES, NETWORK 33	(1005X4)	VD3029	1-802-078-11	VARISTOR (SMD)	
RB7301	1-242-963-21	RES, NETWORK 33	(1005X4)	VD3030	1-802-078-11	VARISTOR (SMD)	
RB7302	1-234-378-21	RES, NETWORK 10K	(1005X4)	VD3031	1-802-078-11	VARISTOR (SMD)	
RB7303	1-234-378-21	RES, NETWORK 10K	(1005X4)	VD3032	1-802-078-11	VARISTOR (SMD)	
RB7800	1-234-379-21	RES, NETWORK 22K	(1005X4)	VD3033	1-802-078-11	VARISTOR (SMD)	
RB7801	1-234-380-21	RES, NETWORK 47K	(1005X4)	VD3034	1-802-078-11	VARISTOR (SMD)	
RB7802	1-239-706-81	RESISTOR, NETWORK 47K		VD3035	1-802-078-11	VARISTOR (SMD)	
RB7806	1-239-694-81	RESISTOR, NETWORK 4.7K		VD3036	1-802-078-11	VARISTOR (SMD)	
RB7807	1-239-668-81	RESISTOR, NETWORK 33		VD4002	1-802-078-11	VARISTOR (SMD)	
RB7808	1-239-668-81	RESISTOR, NETWORK 33		VD4100	1-802-090-21	VARISTOR, CHIP	
RB7809	1-239-668-81	RESISTOR, NETWORK 33		VD4101	1-802-078-11	VARISTOR (SMD)	
RB7810	1-239-668-81	RESISTOR, NETWORK 33		VD4102	1-802-078-11	VARISTOR (SMD)	
RB7812	1-234-381-11	RES, NETWORK 100K	(1005X4)	VD4103	1-802-078-11	VARISTOR (SMD)	
RB7813	1-239-674-81	RESISTOR, NETWORK 100		VD4104	1-805-774-21	VARISTOR, CHIP	
RB7814	1-234-375-21	RES, NETWORK 1K	(1005X4)	VD4105	1-805-774-21	VARISTOR, CHIP	
RB7817	1-239-686-11	RESISTOR, NETWORK 1K		VD4501	1-802-078-11	VARISTOR (SMD)	
RB7818	1-239-686-11	RESISTOR, NETWORK 1K		VD4502	1-802-078-11	VARISTOR (SMD)	
RB7821	1-239-710-11	RESISTOR, NETWORK 100K		VD4503	1-802-078-11	VARISTOR (SMD)	
RB7822	1-239-710-11	RESISTOR, NETWORK 100K		VD4504	1-802-078-11	VARISTOR (SMD)	
RB7823	1-234-723-21	RES, NETWORK 75	(1005X4)	VD4505	1-802-078-11	VARISTOR (SMD)	
RB7824	1-234-381-11	RES, NETWORK 100K	(1005X4)	VD4506	1-802-078-11	VARISTOR (SMD)	
		< VARISTOR >		VD4507	1-802-078-11	VARISTOR (SMD)	
VD3001	1-802-078-11	VARISTOR (SMD)		VD4508	1-802-078-11	VARISTOR (SMD)	
VD3002	1-802-078-11	VARISTOR (SMD)		VD6001	1-802-078-11	VARISTOR (SMD)	
VD3003	1-802-078-11	VARISTOR (SMD)		VD7803	1-802-078-11	VARISTOR (SMD)	
VD3004	1-802-078-11	VARISTOR (SMD)		VD7804	1-802-078-11	VARISTOR (SMD)	
VD3006	1-802-078-11	VARISTOR (SMD)				< CRYSTAL >	
VD3007	1-802-078-11	VARISTOR (SMD)		X2000	1-813-095-11	VIBRATOR, CRYSTAL	
VD3008	1-802-078-11	VARISTOR (SMD)		X4100	1-814-173-11	VIBRATOR, CRYSTAL	
VD3009	1-802-078-11	VARISTOR (SMD)					
VD3010	1-802-078-11	VARISTOR (SMD)					
VD3011	1-802-078-11	VARISTOR (SMD)					
VD3012	1-802-078-11	VARISTOR (SMD)					
VD3013	1-802-078-11	VARISTOR (SMD)					
VD3014	1-802-078-11	VARISTOR (SMD)					
VD3015	1-802-078-11	VARISTOR (SMD)					
VD3016	1-802-078-11	VARISTOR (SMD)					
VD3017	1-802-078-11	VARISTOR (SMD)					
VD3018	1-802-078-11	VARISTOR (SMD)					
VD3019	1-802-078-11	VARISTOR (SMD)					
VD3020	1-802-078-11	VARISTOR (SMD)					
VD3022	1-802-078-11	VARISTOR (SMD)					
VD3023	1-802-078-11	VARISTOR (SMD)					
VD3024	1-802-078-11	VARISTOR (SMD)					
VD3025	1-802-078-11	VARISTOR (SMD)					
VD3026	1-802-078-11	VARISTOR (SMD)					
VD3027	1-802-078-11	VARISTOR (SMD)					
VD3028	1-802-078-11	VARISTOR (SMD)					

A-1643-232-A H1 Board, Complete

< CAPACITOR >

C1002	1-164-230-11	CERAMIC CHIP 220PF	5.00%	5
C1004	1-100-909-11	CERAMIC CHIP 10UF	10%	6

< CONNECTOR >

CN1000	*1-821-137-11	HEADER ASSEMBLY FOR PWB 10P		
--------	---------------	-----------------------------	--	--

< DIODE >

D1001	6-502-352-01	DI SML-522M08WT86PQ		
D1004	6-502-352-01	DI SML-522M08WT86PQ		
D1007	6-500-817-01	DIODE (LED) SML-512UWT86		

< IC >

IC1000	6-600-688-01	IC KSM-511M2Q		
--------	--------------	---------------	--	--

REF.NO.	PART.NO	DESCRIPTION	REMARK
< TRANSISTOR >			
Q1000	8-729-028-96	TRANSISTOR DTCL14EUA-T106	
Q1001	8-729-028-96	TRANSISTOR DTCL14EUA-T106	
Q1002	8-729-028-96	TRANSISTOR DTCL14EUA-T106	
Q1004	8-729-028-96	TRANSISTOR DTCL14EUA-T106	
< RESISTOR >			
R1000	1-216-821-11	METAL CHIP 1K 5%	1/10W
R1001	1-216-825-11	METAL CHIP 2.2K 5%	1/10W
R1002	1-216-821-11	METAL CHIP 1K 5%	1/10W
R1004	1-216-825-11	METAL CHIP 2.2K 5%	1/10W
R1005	1-216-817-11	METAL CHIP 470 5%	1/10W
R1012	1-216-805-11	METAL CHIP 47 5%	1/10W
R1013	1-216-864-11	SHORT CHIP 0	

REF.NO.	PART.NO	DESCRIPTION	REMARK
<b>ACCESSORIES AND CONNECTORS</b>			

<b>32 INCHES</b>			
------------------	--	--	--

1-836-974-11	LVDS HARNESS (32) (B(CN3400)-PANEL)		
*1-910-058-17	CONNECTOR ASSY 30P (B(CN6000)-G2/H1/SW)		
*1-910-058-18	SPEAKER HARNESS (32) (B(CN7900)-SPEAKE		

<b>37 INCHES</b>			
------------------	--	--	--

1-836-483-11	LEAD WIRE CONNECTOR(LVDS) (PANEL-B(CN4		
*1-910-055-82	HARNESS ASSY MAIN (37) (B(CN6000)- G4/		
	H1 (CN1000)/INV		
*1-910-055-84	CONNECTOR ASSY 3P (B(CN4100)-SW ASSY)		
*1-910-055-86	SPEAKER HARNESS (37) (B(CN7900)-SPEAKE		

<b>40 INCHES</b>			
------------------	--	--	--

*1-836-420-11	CONNECTOR ASSY, MDF61 (BALANCER-IP1F)		
1-836-483-11	LEAD WIRE CONNECTOR(LVDS) (PANEL-B(CN4		
*1-910-054-60	CONNECTOR ASSY 7P (BALANCER-IP1F)		
*1-910-055-83	CONNECTOR ASSY 30P (B(CN6000)-IP1F/BAL		
	H1 (CN		
*1-910-055-85	CONNECTOR ASSY 3P (B(CN4100)-SW ASSY)		
*1-910-055-87	SPEAKER HARNESS (40) (B(CN7900)-SPEAKE		

<b>INSTRUCTION MANUALS</b>			
----------------------------	--	--	--

*4-152-587-11	INSTRUCTION MANUAL (U) ENGLISH		
*4-152-587-21	INSTRUCTION MANUAL (E) FRENCH/ITALIAN/ GERMAN/DUTCH/SPANISH/PORTU		
*4-152-587-31	INSTRUCTION MANUAL (K) DANISH/NORWEGIA SWEDISH/FINNISH/POLISH/ROMA		
*4-152-587-41	INSTRUCTION MANUAL (K) HUNGARIAN/CZECH GREEK/SLOVAK/TURKISH/BULG		
*4-152-587-51	INSTRUCTION MANUAL (R) RUSSIAN/UKRAINI		

<b>REMOTE COMMANDER</b>			
-------------------------	--	--	--

1-487-192-31	REMOTE COMMANDER (RM-ED017)		
--------------	-----------------------------	--	--

