

SECTION 4: EXPLODED VIEWS

Components not identified by a part number or description are not stocked because they are seldom required for routine service.

The component parts of an assembly are indicated by the reference numbers in the far right column of the parts list and within the dotted lines of the diagram.

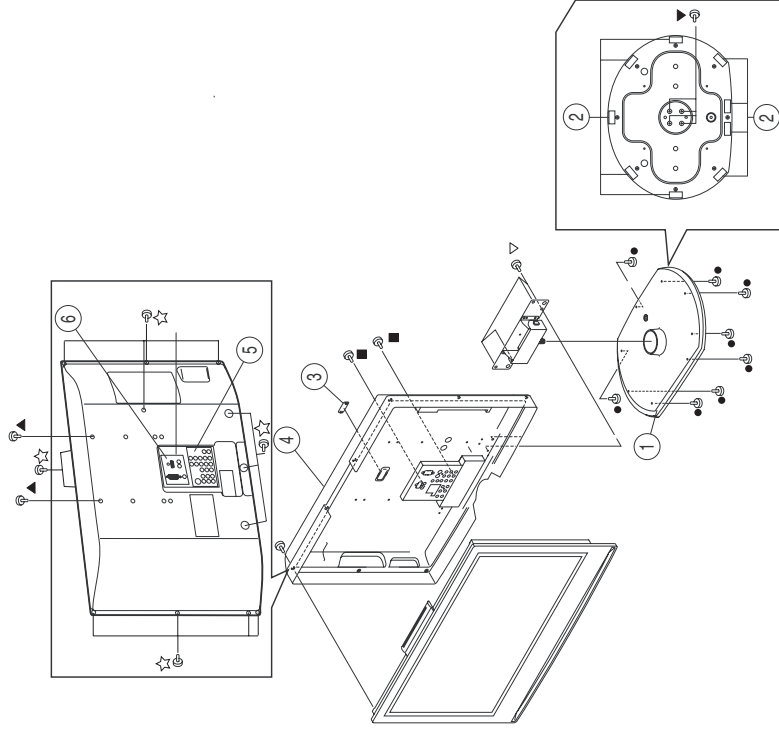
* Items marked with an asterisk are not stocked since they are seldom required for routine service. Expect some delay when ordering these components.

NOTE: The components identified by shading and  and  mark are critical for safety. Replace only with part number specified.

NOTE: Les composants identifiés par un trame et une marque  sont critiques pour la sécurité. Ne les remplacer que par une pièce portant le numéro spécifique.

(NOTE: Illustrations created based on KDL-26S2000) 4-1. REAR CABINET AND STAND ASSEMBLY

■	7-685-646-79	SCREW +B/TP-3X12 TYPE2 IT-3
☆	2-800-640-01	SCREW +B/TP2 4X16
●	2-800-644-01	SCREW +KTP2 3X8 (KDL-26S2000/32S2000 ONLY)
●	2-800-647-01	SCREW +KTP2 4X12 (KDL-40S2000 ONLY)
▲	2-800-603-01	SCREW +FSW M4X16 (KDL-26S2000 ONLY)
▲	2-800-611-01	SCREW +FSW M6X16 (KDL-32S2000/40S2000 ONLY)
▼	2-676-024-01	SCREW/WTP-4X30 (KDL-26S2000/32S2000 ONLY)



REF. NO.	PART NO.	DESCRIPTION	[ASSEMBLY INCLUDES]
1	X-2103-366-1	STAND L ASSEMBLY (KDL-40S2000 ONLY)	
1	X-2103-365-2	STAND M ASSEMBLY (KDL-26S2000/32S2000 ONLY)	
2	2-675-191-01	FOOT	
3	2-664-636-01	COVER, ECS	
4	X-2109-686-1	COVER (26), REAR ASSEMBLY (KDL-26S2000 ONLY)	
4	X-2109-791-1	COVER, REAR (32) (KDL-32S2000 ONLY)	
4	X-2109-456-1	REAR COVER ASSEMBLY (40) (KDL-40S2000 ONLY)	
5	2-668-386-03	LABEL, INFORMATION (KDL-26S2000 ONLY)	
* 5	2-668-386-13	LABEL, INFORMATION (KDL-32S2000 ONLY)	
6	2-668-886-11	LABEL, HDMI	

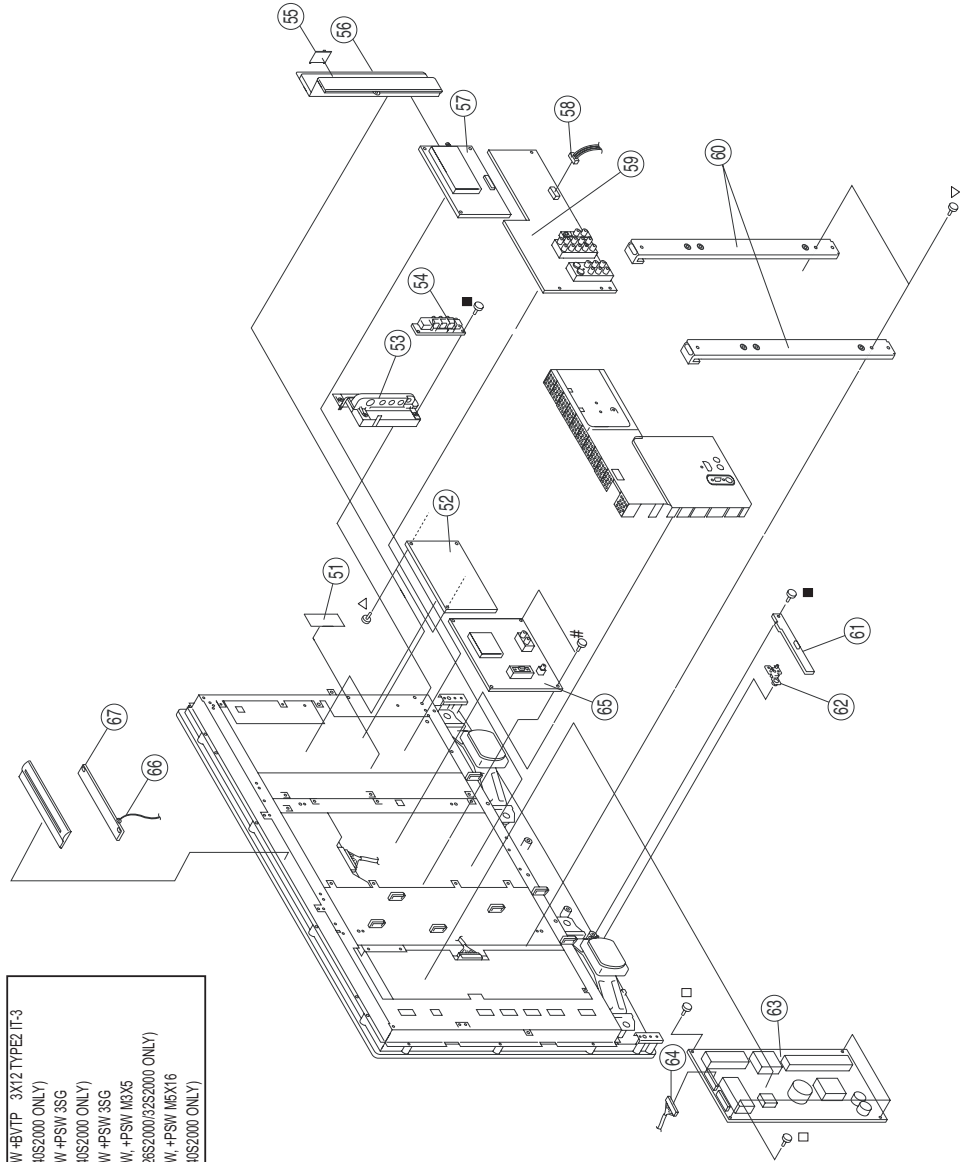
NOTE: The components identified by shading and Δ mark are critical for safety. Replace only with part number specified.

(NOTE: Illustrations created based on KDL-26S2000)

4-2. CHASSIS

■	7-885-648-79	SCREW #BVP 3X12 TYPE2 Ti-3 (KDL-40S2000 ONLY)
□	2-674-965-31	SCREW #PSW 3SG (KDL-40S2000 ONLY)
#	2-674-965-21	SCREW #PSW 3SG (KDL-26S2000 ONLY)
	2-980-591-01	SCREW #PSW M3X5 (KDL-26S2000/32S2000 ONLY)
◊	2-980-606-01	SCREW #PSW M5X16 (KDL-40S2000 ONLY)

NOTE: Les composants identifiés par un trame et une marque Δ sont critiques pour la sécurité. Ne les remplacer que par une pièce portant le numéro spécifié.



REF. NO.	PART NO.	DESCRIPTION	[ASSEMBLY INCLUDES]
* 51	4-092-814-02	CUSHION ID	
52	A-1153-812-B	OS BOARD, COMPLETE	
53	2-663-986-11	HOLDER SIDE JACK(L)(UC) (KDL-40S2000 ONLY)	
53	2-663-985-11	HOLDER SIDE JACK(M)(UC) (KDL-26S2000/32S2000 ONLY)	
54	A-1152-234-B	H2U BOARD, MOUNTED	
55	2-667-660-01	COVER, SERVICE	
56	X-2109-054-2	SIDE TERMINAL (M) ASSEMBLY (KDL-32S2000/40S2000 ONLY)	
56	X-2109-051-2	SIDE TERMINAL (S) ASSEMBLY (KDL-26S2000 ONLY)	
57	A-1164-341-A	QT BOARD, COMPLETE	
* 58	1-910-024-86	CONNECTOR ASSEMBLY 15P (KDL-26S2000 ONLY)	
* 58	1-910-024-77	CONNECTOR ASSEMBLY 15P (KDL-32S2000 ONLY)	
59	A-1179-055-B	AU BOARD, MOUNTED	
60	X-2109-235-1	BRACKET, VESA (26) ASSEMBLY (KDL-26S2000 ONLY)	
60	X-2109-236-1	BRACKET, VESA (32) ASSEMBLY (KDL-32S2000 ONLY)	
* 61	A-1172-591-B	H3U BOARD, MOUNTED	
* 62	2-664-630-01	GUIDE, LIGHT SENSOR	
Δ 63	1-468-980-11	G1 BOARD, POWER UNIT (KDL-26S2000/32S2000 ONLY)	
* 63	A-1189-958-A	G2 BOARD, COMPLETE (KDL-40S2000 ONLY)	
* 64	1-910-024-90	CONNECTOR ASSEMBLY 12P (KDL-26S2000 ONLY)	
* 64	1-910-024-81	CONNECTOR ASSEMBLY 12P (KDL-32S2000 ONLY)	
65	A-1179-491-A	BU BOARD, MOUNTED (KDL-26S2000 ONLY)	
65	A-1179-492-A	BU BOARD, MOUNTED (KDL-32S2000 ONLY)	
65	A-1179-493-A	BU BOARD, MOUNTED (KDL-40S2000 ONLY)	
* 66	1-910-024-85	CONNECTOR ASSEMBLY 3P (KDL-26S2000 ONLY)	
* 66	1-910-024-76	CONNECTOR ASSEMBLY 3P (KDL-32S2000 ONLY)	
* 66	1-910-024-91	CONNECTOR ASSEMBLY 3P (KDL-40S2000 ONLY)	
67	A-1172-589-B	H1U BOARD, MOUNTED	

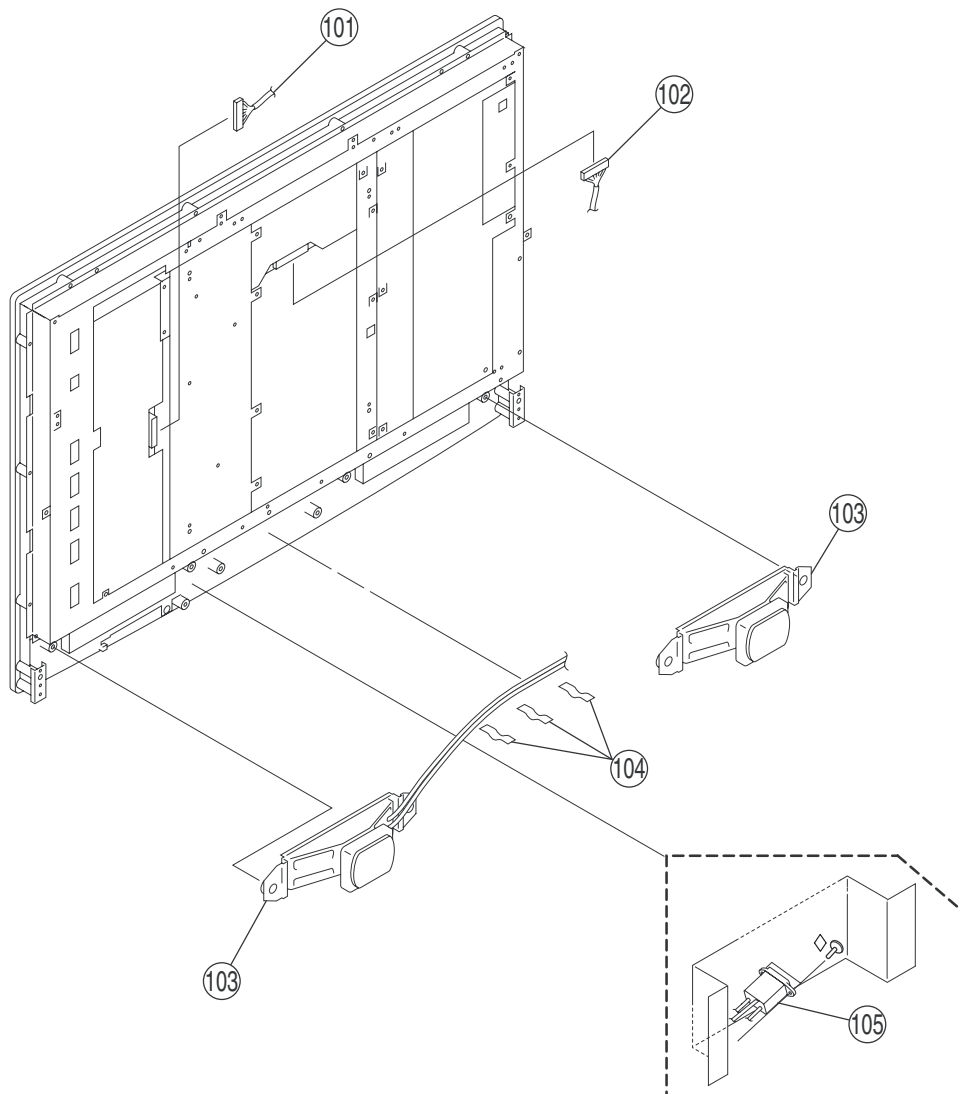
NOTE: The components identified by shading and ⚠ mark are critical for safety. Replace only with part number specified.

NOTE: Les composants identifiés par un trame et une marque ⚠ sont critiques pour la sécurité. Ne les remplacer que par une pièce portant le numéro spécifié.

(NOTE: Illustrations created based on KDL-26S2000)

4-3. SPEAKERS

◇ 2-596-649-01 +KTT 3X10 (S TYPE)



REF. NO.	PART NO.	DESCRIPTION	[ASSEMBLY INCLUDES]	REF. NO.	PART NO.	DESCRIPTION	[ASSEMBLY INCLUDES]
101	1-832-468-11	HARNESS WITH CONNECTOR (LVDS) (KDL-26S2000 ONLY)		103	1-826-363-11	LOUDSPEAKER (4.2X15CM) (KDL-26S2000/32S2000 ONLY)	
101	1-832-469-11	HARNESS WITH CONNECTOR (LVDS) (KDL-32S2000 ONLY)		103	1-826-362-11	LOUDSPEAKER (5.5X15.5CM) (KDL-40S2000 ONLY)	
101	1-832-470-11	HARNESS WITH CONNECTOR (LVDS) (KDL-40S2000 ONLY)		104	4-660-752-01	TAPE (LCD)	
				⚠ 105	1-819-729-13	INLET, AC (WITH NOISE FILTER)	

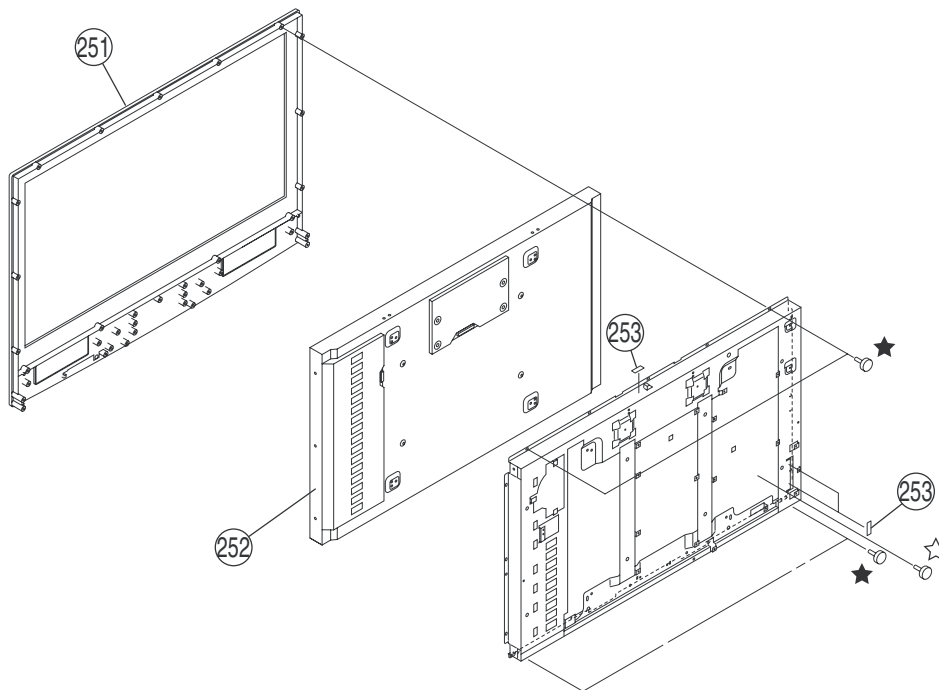
NOTE: The components identified by shading and \triangle mark are critical for safety. Replace only with part number specified.

NOTE: Les composants identifiés par un trame et une marque \triangle sont critiques pour la sécurité. Ne les remplacer que par une pièce portant le numéro spécifié.

(NOTE: Illustrations created based on KDL-26S2000)


4-4. LCD PANEL


☆	2-580-640-01	SCREW, +BVTP2 4X16
★	2-580-600-01	SCREW, +PSW M4X8 (KDL-26S2000/32S2000 ONLY)
★	2-580-606-01	SCREW, +PSW M5X8 (KDL-40S2000 ONLY)




REF. NO.	PART NO.	DESCRIPTION	[ASSEMBLY INCLUDES]	REF. NO.	PART NO.	DESCRIPTION	[ASSEMBLY INCLUDES]
251	X-2108-490-1	BEZEL ASSEMBLY (32) (KDL-32S2000 ONLY)		252	1-802-061-11	LCD PANEL (26WXGA+TFT) (KDL-26S2000 ONLY)	
251	X-2108-494-1	BEZEL ASSEMBLY (40) (KDL-40S2000 ONLY)		252	1-802-060-11	LCD PANEL (32WXGA+TFT) (KDL-32S2000 ONLY)	
251	X-2108-505-1	BEZEL ASSEMBLY(26) (KDL-26S2000 ONLY)		252	1-802-059-11	LCD PANEL (40WXGA+TFT) (KDL-40S2000 ONLY)	
				253	4-660-752-01	TAPE (LCD)	

SECTION 5: ELECTRICAL PARTS LIST

NOTE: The components identified by shading and  mark are critical for safety. Replace only with part number specified.

NOTE: Les composants identifiés par un trame et une marque  sont critiques pour la sécurité. Ne les remplacer que par une pièce portant le numéro spécifié.

The components in this manual identified by the following symbol:  indicate parts that have been carefully factory-selected to satisfy regulations regarding X-ray radiation for each set.

Should replacement be required for one of these components, replace only with the value originally used.


* Items marked with an asterisk are not stocked since they are seldom required for routine service. Expect some delay when ordering these components.

RESISTORS

- All resistors are in ohms
- F : nonflammable
- All variable and adjustable resistors have characteristic curve B, unless otherwise noted.



When ordering parts by reference number, please include the board name.

REF. NO.	PART NO.	DESCRIPTION	VALUES	REF. NO.	PART NO.	DESCRIPTION	VALUES	
								
A-1179-055-A AU BOARD, MOUNTED								
CAPACITOR								
C2013	1-127-715-91	CERAMIC CHIP	0.22µF 10% 16V	C6027	1-117-681-11	ELECT CHIP	100µF 20% 16V	
C2015	1-117-681-11	ELECT CHIP	100µF 20% 16V	C7004	1-162-906-11	CERAMIC CHIP	1.5pF 0.25pF 50V	
C2016	1-127-573-11	CERAMIC CHIP	1µF 10% 16V	C7005	1-162-906-11	CERAMIC CHIP	1.5pF 0.25pF 50V	
C2017	1-127-573-11	CERAMIC CHIP	1µF 10% 16V	C7010	1-164-004-11	CERAMIC CHIP	0.1µF 10% 25V	
C2018	1-127-715-91	CERAMIC CHIP	0.22µF 10% 16V	C7011	1-126-396-11	ELECT CHIP	47µF 20% 16V	
C2019	1-124-779-00	ELECT CHIP	10µF 20% 16V	C7014	1-162-962-11	CERAMIC CHIP	470pF 10% 50V	
C2020	1-127-715-91	CERAMIC CHIP	0.22µF 10% 16V	C7015	1-162-960-11	CERAMIC CHIP	220pF 10% 50V	
C2021	1-127-715-91	CERAMIC CHIP	0.22µF 10% 16V	C7017	1-127-573-11	CERAMIC CHIP	1µF 10% 16V	
C2023	1-117-681-11	ELECT CHIP	100µF 20% 16V	C7018	1-127-573-11	CERAMIC CHIP	1µF 10% 16V	
C2024	1-127-573-11	CERAMIC CHIP	1µF 10% 16V	C7019	1-126-394-11	ELECT CHIP	10µF 20% 16V	
C2025	1-127-573-11	CERAMIC CHIP	1µF 10% 16V	C7020	1-100-566-91	CERAMIC CHIP	0.1µF 10% 25V	
C2026	1-125-889-91	CERAMIC CHIP	2.2µF 10% 10V	C7021	1-127-573-11	CERAMIC CHIP	1µF 10% 16V	
C6001	1-107-826-11	CERAMIC CHIP	0.1µF 10% 16V	C7023	1-127-573-11	CERAMIC CHIP	1µF 10% 16V	
C6003	1-117-681-11	ELECT CHIP	100µF 20% 16V	C7024	1-127-573-11	CERAMIC CHIP	1µF 10% 16V	
C6005	1-164-227-11	CERAMIC CHIP	0.022µF 10% 25V	C7025	1-127-573-11	CERAMIC CHIP	1µF 10% 16V	
C6006	1-107-826-11	CERAMIC CHIP	0.1µF 10% 16V	C7027	1-127-573-11	CERAMIC CHIP	1µF 10% 16V	
C6009	1-100-743-91	CERAMIC CHIP	2.2µF 20% 16V	C7028	1-126-396-11	ELECT CHIP	47µF 20% 16V	
C6011	1-107-826-11	CERAMIC CHIP	0.1µF 10% 16V	C7029	1-127-573-11	CERAMIC CHIP	1µF 10% 16V	
C6014	1-162-968-11	CERAMIC CHIP	0.0047µF 10% 50V	C7030	1-100-566-91	CERAMIC CHIP	0.1µF 10% 25V	
C6015	1-107-826-11	CERAMIC CHIP	0.1µF 10% 16V	C7033	1-127-573-11	CERAMIC CHIP	1µF 10% 16V	
C6016	1-164-227-11	CERAMIC CHIP	0.022µF 10% 25V	C7034	1-124-779-00	ELECT CHIP	10µF 20% 16V	
C6017	1-126-204-11	ELECT CHIP	47µF 20% 16V	C7035	1-127-573-11	CERAMIC CHIP	1µF 10% 16V	
C6018	1-100-743-91	CERAMIC CHIP	2.2µF 20% 16V	C7036	1-127-573-11	CERAMIC CHIP	1µF 10% 16V	
C6019	1-162-966-11	CERAMIC CHIP	0.0022µF 10% 50V	C7037	1-127-573-11	CERAMIC CHIP	1µF 10% 16V	
C6020	1-127-715-91	CERAMIC CHIP	0.22µF 10% 16V	C7038	1-126-394-11	ELECT CHIP	10µF 20% 16V	
C6022	1-127-760-11	CERAMIC CHIP	4.7µF 10% 6.3V	C7039	1-100-566-91	CERAMIC CHIP	0.1µF 10% 25V	
C6023	1-128-995-21	ELECT CHIP	100µF 20% 10V	C7040	1-164-004-11	CERAMIC CHIP	0.1µF 10% 25V	
C6024	1-115-416-11	CERAMIC CHIP	0.001µF 5% 25V	C7042	1-162-966-11	CERAMIC CHIP	0.0022µF 10% 50V	
C6025	1-107-826-11	CERAMIC CHIP	0.1µF 10% 16V	C7043	1-107-826-11	CERAMIC CHIP	0.1µF 10% 16V	
C6026	1-107-826-11	CERAMIC CHIP	0.1µF 10% 16V	C7044	1-126-204-11	ELECT CHIP	47µF 20% 16V	
				C7045	1-162-966-11	CERAMIC CHIP	0.0022µF 10% 50V	
				C7046	1-162-966-11	CERAMIC CHIP	0.0022µF 10% 50V	
				C7047	1-162-966-11	CERAMIC CHIP	0.0022µF 10% 50V	
				C7048	1-162-966-11	CERAMIC CHIP	0.0022µF 10% 50V	
				C7049	1-162-966-11	CERAMIC CHIP	0.0022µF 10% 50V	



REF. NO.	PART NO.	DESCRIPTION	VALUES			REF. NO.	PART NO.	DESCRIPTION	VALUES		
C7050	1-162-966-11	CERAMIC CHIP	0.0022μF	10%	50V	C7114	1-112-800-11	ELECT CHIP	100μF	20%	35V
C7051	1-127-573-11	CERAMIC CHIP	1μF	10%	16V	C7115	1-112-800-11	ELECT CHIP	100μF	20%	35V
C7052	1-127-573-11	CERAMIC CHIP	1μF	10%	16V	C7116	1-112-800-11	ELECT CHIP	100μF	20%	35V
C7053	1-126-394-11	ELECT CHIP	10μF	20%	16V	C7117	1-112-800-11	ELECT CHIP	100μF	20%	35V
C7054	1-126-394-11	ELECT CHIP	10μF	20%	16V	C7118	1-100-912-11	CERAMIC CHIP	1μF	10%	25V
C7055	1-100-566-91	CERAMIC CHIP	0.1μF	10%	25V	C7119	1-100-912-11	CERAMIC CHIP	1μF	10%	25V
C7056	1-162-966-11	CERAMIC CHIP	0.0022μF	10%	50V	C7120	1-100-912-11	CERAMIC CHIP	1μF	10%	25V
C7057	1-126-396-11	ELECT CHIP	47μF	20%	16V	C7121	1-100-912-11	CERAMIC CHIP	1μF	10%	25V
C7060	1-115-416-11	CERAMIC CHIP	0.001μF	5%	25V	C7123	1-125-827-91	CERAMIC CHIP	1μF	10%	25V
C7061	1-115-416-11	CERAMIC CHIP	0.001μF	5%	25V	C7124	1-125-827-91	CERAMIC CHIP	1μF	10%	25V
C7062	1-115-416-11	CERAMIC CHIP	0.001μF	5%	25V	C7125	1-125-827-91	CERAMIC CHIP	1μF	10%	25V
C7063	1-115-416-11	CERAMIC CHIP	0.001μF	5%	25V	C7126	1-125-827-91	CERAMIC CHIP	1μF	10%	25V
C7064	1-115-416-11	CERAMIC CHIP	0.001μF	5%	25V	C7127	1-100-591-91	CERAMIC CHIP	1μF	10%	25V
C7065	1-115-416-11	CERAMIC CHIP	0.001μF	5%	25V	C7128	1-100-591-91	CERAMIC CHIP	1μF	10%	25V
C7072	1-128-536-11	ELECT CHIP	100μF	20%	25V	C7147	1-100-591-91	CERAMIC CHIP	1μF	10%	25V
C7073	1-126-396-11	ELECT CHIP	47μF	20%	16V	C7148	1-107-826-11	CERAMIC CHIP	0.1μF	10%	16V
C7075	1-100-912-11	CERAMIC CHIP	1μF	10%	25V	C7600	1-124-779-00	ELECT CHIP	10μF	20%	16V
C7076	1-100-912-11	CERAMIC CHIP	1μF	10%	25V	C7601	1-107-826-11	CERAMIC CHIP	0.1μF	10%	16V
C7082	1-115-416-11	CERAMIC CHIP	0.001μF	5%	25V	C7602	1-107-826-11	CERAMIC CHIP	0.1μF	10%	16V
C7083	1-115-340-11	CERAMIC CHIP	0.22μF	10%	25V	C7603	1-127-573-11	CERAMIC CHIP	1μF	10%	16V
C7086	1-100-912-11	CERAMIC CHIP	1μF	10%	25V	C7604	1-127-573-11	CERAMIC CHIP	1μF	10%	16V
C7087	1-100-912-11	CERAMIC CHIP	1μF	10%	25V	C7605	1-126-204-11	ELECT CHIP	47μF	20%	16V
C7088	1-126-394-11	ELECT CHIP	10μF	20%	16V	C7609	1-126-394-11	ELECT CHIP	10μF	20%	16V
C7089	1-126-394-11	ELECT CHIP	10μF	20%	16V	C7610	1-107-826-11	CERAMIC CHIP	0.1μF	10%	16V
C7090	1-126-394-11	ELECT CHIP	10μF	20%	16V	C7611	1-124-779-00	ELECT CHIP	10μF	20%	16V
C7091	1-126-394-11	ELECT CHIP	10μF	20%	16V	C7612	1-107-826-11	CERAMIC CHIP	0.1μF	10%	16V
C7092	1-162-965-11	CERAMIC CHIP	0.0015μF	10%	50V	C7613	1-124-779-00	ELECT CHIP	10μF	20%	16V
C7093	1-164-217-11	CERAMIC CHIP	150pF	5%	50V	C7614	1-124-779-00	ELECT CHIP	10μF	20%	16V
C7094	1-164-217-11	CERAMIC CHIP	150pF	5%	50V	C7615	1-162-927-11	CERAMIC CHIP	100pF	5%	50V
C7095	1-162-965-11	CERAMIC CHIP	0.0015μF	10%	50V	C7616	1-162-927-11	CERAMIC CHIP	100pF	5%	50V
C7096	1-162-965-11	CERAMIC CHIP	0.0015μF	10%	50V	C7617	1-126-396-11	ELECT CHIP	47μF	20%	16V
C7097	1-164-217-11	CERAMIC CHIP	150pF	5%	50V	C7618	1-126-396-11	ELECT CHIP	47μF	20%	16V
C7098	1-164-217-11	CERAMIC CHIP	150pF	5%	50V	C7619	1-100-597-91	CERAMIC CHIP	0.1μF	10%	25V
C7099	1-162-965-11	CERAMIC CHIP	0.0015μF	10%	50V	C9005	1-127-573-11	CERAMIC CHIP	1μF	10%	16V
C7100	1-164-004-11	CERAMIC CHIP	0.1μF	10%	25V	C9006	1-127-573-11	CERAMIC CHIP	1μF	10%	16V
C7101	1-164-004-11	CERAMIC CHIP	0.1μF	10%	25V	C9007	1-127-573-11	CERAMIC CHIP	1μF	10%	16V
C7102	1-164-004-11	CERAMIC CHIP	0.1μF	10%	25V	C9008	1-127-573-11	CERAMIC CHIP	1μF	10%	16V
C7103	1-164-004-11	CERAMIC CHIP	0.1μF	10%	25V	C9014	1-127-573-11	CERAMIC CHIP	1μF	10%	16V
C7104	1-164-004-11	CERAMIC CHIP	0.1μF	10%	25V	C9015	1-127-573-11	CERAMIC CHIP	1μF	10%	16V
C7105	1-164-004-11	CERAMIC CHIP	0.1μF	10%	25V	C9016	1-125-891-11	CERAMIC CHIP	0.47μF	10%	10V
C7106	1-164-004-11	CERAMIC CHIP	0.1μF	10%	25V	C9019	1-125-889-91	CERAMIC CHIP	2.2μF	10%	10V
C7107	1-164-004-11	CERAMIC CHIP	0.1μF	10%	25V	C9020	1-125-889-91	CERAMIC CHIP	2.2μF	10%	10V
C7108	1-164-004-11	CERAMIC CHIP	0.1μF	10%	25V	C9021	1-125-889-91	CERAMIC CHIP	2.2μF	10%	10V
C7113	1-112-797-11	ELECT CHIP	470μF	20%	25V	C9022	1-125-889-91	CERAMIC CHIP	2.2μF	10%	10V



REF. NO.	PART NO.	DESCRIPTION	VALUES	REF. NO.	PART NO.	DESCRIPTION	VALUES
C9023	1-127-573-11	CERAMIC CHIP	1μF 10% 16V	D9016	8-719-977-28	DIODE	DTZ10B
C9024	1-127-573-11	CERAMIC CHIP	1μF 10% 16V	D9017	8-719-977-28	DIODE	DTZ10B
C9032	1-115-416-11	CERAMIC CHIP	0.001μF 5% 25V	D9018	8-719-977-28	DIODE	DTZ10B
C9501	1-115-416-11	CERAMIC CHIP	0.001μF 5% 25V				
C9502	1-115-416-11	CERAMIC CHIP	0.001μF 5% 25V				
		CONNECTOR				FERRITE BEAD	
CN7001	1-780-148-11	CLIP, SHIELD		FB7000	1-400-089-21	FERRITE	0μH
CN7002	1-780-148-11	CLIP, SHIELD		FB7001	1-400-089-21	FERRITE	0μH
CN7501	1-820-184-11	HEADER ASSEMBLY (PRINT PWB)		FB7002	1-400-089-21	FERRITE	0μH
CN7502	1-820-185-11	HEADER ASSEMBLY (PRINT PWB)		FB7003	1-400-089-21	FERRITE	0μH
CN7503	1-820-211-11	HEADER ASSEMBLY FOR PWB		FB7004	1-400-040-22	FERRITE	0μH
				FB7005	1-400-040-22	FERRITE	0μH
CN9001	1-820-192-11	HEADER ASSEMBLY (PRINT PWB) 15P		FB7006	1-400-040-22	FERRITE	0μH
CN9501	1-819-390-51	FFC/FPC CONNECTOR (ZIF) 49P		FB7007	1-400-040-22	FERRITE	0μH
CN9502	1-820-186-11	HEADER ASSEMBLY (PRINT PWB)		FB7008	1-400-040-22	FERRITE	0μH
CN9521	1-780-336-11	EARTH TERMINAL		FB9003	1-216-864-11	SHORT CHIP	
CN9522	1-780-336-11	EARTH TERMINAL					
CN9523	1-780-336-11	EARTH TERMINAL				IC	
		DIODE		IC2001	8-752-089-33	IC	CXA2069Q-TL
D6001	8-719-058-24	DIODE	RB501V-40TE-17	IC7001	6-709-040-01	IC	MAP4400A-QA-B2-501
D7001	6-500-551-01	DIODE	MM3Z11VT1	IC7003	8-759-278-58	IC	NJM4558V-TE2
D7004	8-719-050-37	DIODE	M1MA152WA-T1	IC7007	6-709-285-01	IC	M61571AFP-DF0T
D7005	8-719-081-97	DIODE	MMDL914T1	IC7601	8-759-278-58	IC	NJM4558V-TE2
D7006	8-719-081-97	DIODE	MMDL914T1	IC7602	8-759-359-49	IC	NJM3414AV(Te2)
D7007	8-719-081-97	DIODE	MMDL914T1			JACK	
D7009	6-500-884-01	DIODE	P6SMBJ30A-5	J9001	1-780-271-11	S CONNECTOR BLOCK	
D7010	6-500-884-01	DIODE	P6SMBJ30A-5	J9002	1-819-357-11	PHONO JACK	10P
D7011	6-500-884-01	DIODE	P6SMBJ30A-5	J9003	1-780-373-11	TERMINAL BOARD	
D7012	6-500-884-01	DIODE	P6SMBJ30A-5				
						COIL	
D7013	8-719-081-97	DIODE	MMDL914T1	L2002	1-469-557-21	INDUCTOR	22μH
D7602	8-719-050-37	DIODE	M1MA152WA-T1	L2003	1-469-555-21	INDUCTOR	10μH
D7603	8-719-050-37	DIODE	M1MA152WA-T1	L6001	1-469-555-21	INDUCTOR	10μH
D7604	8-719-081-97	DIODE	MMDL914T1	L7002	1-400-794-21	FERRITE	0μH
D7605	8-719-081-97	DIODE	MMDL914T1	L7004	1-400-794-21	FERRITE	0μH
				L7005	1-469-555-21	INDUCTOR	10μH
D9001	8-719-977-28	DIODE	DTZ10B	L7006	1-400-794-21	FERRITE	0μH
D9002	8-719-977-28	DIODE	DTZ10B	L7007	1-469-555-21	INDUCTOR	10μH
D9003	8-719-977-28	DIODE	DTZ10B	L7008	1-481-083-11	INDUCTOR	22μH
D9004	8-719-977-28	DIODE	DTZ10B	L7009	1-457-106-11	INDUCTOR	10μH
D9008	8-719-977-28	DIODE	DTZ10B				
				L7010	1-457-106-11	INDUCTOR	10μH
D9009	8-719-977-28	DIODE	DTZ10B	L7011	1-400-794-21	FERRITE	0μH
D9012	8-719-977-28	DIODE	DTZ10B	L7012	1-400-794-21	FERRITE	0μH
D9013	8-719-977-28	DIODE	DTZ10B	L7013	1-400-794-21	FERRITE	0μH
D9014	8-719-977-28	DIODE	DTZ10B	L9503	1-400-178-21	INDUCTOR	0μH
D9015	8-719-977-28	DIODE	DTZ10B				



REF. NO.	PART NO.	DESCRIPTION	VALUES	REF. NO.	PART NO.	DESCRIPTION	VALUES
L9504	1-400-178-21	INDUCTOR	0μH	Q7610	8-729-120-28	TRANSISTOR	2SC1623-L5L6
L9505	1-400-178-21	INDUCTOR	0μH	Q7611	8-729-029-14	TRANSISTOR	DTC144EUA-T106
IC LINK				RESISTOR			
PS7001	1-576-958-21	FUSE	4A 24V	R2006	1-216-809-11	METAL CHIP	100 5% 1/10W
TRANSISTOR				R2007	1-216-809-11	METAL CHIP	100 5% 1/10W
Q2001	8-729-120-28	TRANSISTOR	2SC1623-L5L6	R2014	1-216-864-11	SHORT CHIP	
Q2002	8-729-120-28	TRANSISTOR	2SC1623-L5L6	R2015	1-216-864-11	SHORT CHIP	
Q6001	8-729-600-22	TRANSISTOR	2SA1235-F	R2017	1-216-864-11	SHORT CHIP	
Q6002	8-729-600-22	TRANSISTOR	2SA1235-F	R2019	1-216-809-11	METAL CHIP	100 5% 1/10W
Q6004	8-729-600-22	TRANSISTOR	2SA1235-F	R2020	1-216-809-11	METAL CHIP	100 5% 1/10W
Q6005	8-729-120-28	TRANSISTOR	2SC1623-L5L6	R2023	1-216-821-11	METAL CHIP	1K 5% 1/10W
Q6007	8-729-120-28	TRANSISTOR	2SC1623-L5L6	R2024	1-216-821-11	METAL CHIP	1K 5% 1/10W
Q6008	8-729-120-28	TRANSISTOR	2SC1623-L5L6	R2027	1-216-864-11	SHORT CHIP	
Q6009	8-729-120-28	TRANSISTOR	2SC1623-L5L6	R2028	1-216-864-11	SHORT CHIP	
Q6011	8-729-120-28	TRANSISTOR	2SC1623-L5L6	R2030	1-216-809-11	METAL CHIP	100 5% 1/10W
Q6012	8-729-120-28	TRANSISTOR	2SC1623-L5L6	R2033	1-216-864-11	SHORT CHIP	
Q6013	8-729-600-22	TRANSISTOR	2SA1235-F	R2034	1-216-864-11	SHORT CHIP	
Q7002	8-729-120-28	TRANSISTOR	2SC1623-L5L6	R2037	1-216-817-11	METAL CHIP	470 5% 1/10W
Q7005	8-729-600-22	TRANSISTOR	2SA1235-F	R2038	1-216-817-11	METAL CHIP	470 5% 1/10W
Q7007	8-729-029-14	TRANSISTOR	DTC144EUA-T106	R2039	1-216-864-11	SHORT CHIP	
Q7008	8-729-120-28	TRANSISTOR	2SC1623-L5L6	R6001	1-216-825-11	METAL CHIP	2.2K 5% 1/10W
Q7009	8-729-600-22	TRANSISTOR	2SA1235-F	R6002	1-216-809-11	METAL CHIP	100 5% 1/10W
Q7010	8-729-029-14	TRANSISTOR	DTC144EUA-T106	R6003	1-216-864-11	SHORT CHIP	
Q7011	8-729-029-14	TRANSISTOR	DTC144EUA-T106	R6004	1-218-855-11	METAL CHIP	2.2K 0.50% 1/10W
Q7012	8-729-141-73	TRANSISTOR	2SC3624A-T1L15L16	R6007	1-218-887-11	METAL CHIP	47K 0.50% 1/10W
Q7013	8-729-141-73	TRANSISTOR	2SC3624A-T1L15L16	R6008	1-218-879-11	METAL CHIP	22K 0.50% 1/10W
Q7014	8-729-600-22	TRANSISTOR	2SA1235-F	R6009	1-216-829-11	METAL CHIP	4.7K 5% 1/10W
Q7015	8-729-600-22	TRANSISTOR	2SA1235-F	R6012	1-216-817-11	METAL CHIP	470 5% 1/10W
Q7016	8-729-600-22	TRANSISTOR	2SA1235-F	R6013	1-216-825-11	METAL CHIP	2.2K 5% 1/10W
Q7017	8-729-600-22	TRANSISTOR	2SA1235-F	R6014	1-218-889-11	METAL CHIP	56K 0.50% 1/10W
Q7018	8-729-120-28	TRANSISTOR	2SC1623-L5L6	R6017	1-216-857-11	METAL CHIP	1M 5% 1/10W
Q7019	8-729-029-14	TRANSISTOR	DTC144EUA-T106	R6020	1-218-871-11	METAL CHIP	10K 0.50% 1/10W
Q7020	8-729-029-14	TRANSISTOR	DTC144EUA-T106	R6021	1-216-829-11	METAL CHIP	4.7K 5% 1/10W
Q7021	8-729-028-96	TRANSISTOR	DTC114EUA-T106	R6023	1-216-821-11	METAL CHIP	1K 5% 1/10W
Q7602	8-729-600-22	TRANSISTOR	2SA1235-F	R6025	1-218-857-11	METAL CHIP	2.7K 0.50% 1/10W
Q7603	8-729-141-73	TRANSISTOR	2SC3624A-T1L15L16	R6026	1-216-821-11	METAL CHIP	1K 5% 1/10W
Q7604	8-729-141-73	TRANSISTOR	2SC3624A-T1L15L16	R6028	1-218-861-11	METAL CHIP	3.9K 0.50% 1/10W
Q7605	8-729-120-28	TRANSISTOR	2SC1623-L5L6	R6029	1-218-861-11	METAL CHIP	3.9K 0.50% 1/10W
Q7606	8-729-141-73	TRANSISTOR	2SC3624A-T1L15L16	R6030	1-216-829-11	METAL CHIP	4.7K 5% 1/10W
Q7607	8-729-141-73	TRANSISTOR	2SC3624A-T1L15L16	R6032	1-216-857-11	METAL CHIP	1M 5% 1/10W
Q7608	8-729-029-14	TRANSISTOR	DTC144EUA-T106	R6033	1-216-829-11	METAL CHIP	4.7K 5% 1/10W
Q7609	8-729-600-22	TRANSISTOR	2SA1235-F	R6034	1-216-864-11	SHORT CHIP	
				R6037	1-216-821-11	METAL CHIP	1K 5% 1/10W



REF. NO.	PART NO.	DESCRIPTION	VALUES			REF. NO.	PART NO.	DESCRIPTION	VALUES		
R6039	1-216-815-11	METAL CHIP	330	5%	1/10W	R7111	1-216-841-11	METAL CHIP	47K	5%	1/10W
R6040	1-216-864-11	SHORT CHIP				R7112	1-216-864-11	SHORT CHIP			
R6051	1-216-857-11	METAL CHIP	1M	5%	1/10W	R7113	1-218-887-11	METAL CHIP	47K	0.50%	1/10W
R6052	1-216-809-11	METAL CHIP	100	5%	1/10W	R7114	1-218-855-11	METAL CHIP	2.2K	0.50%	1/10W
R7004	1-216-841-11	METAL CHIP	47K	5%	1/10W	R7115	1-218-887-11	METAL CHIP	47K	0.50%	1/10W
R7011	1-216-845-11	METAL CHIP	100K	5%	1/10W	R7116	1-218-855-11	METAL CHIP	2.2K	0.50%	1/10W
R7012	1-216-864-11	SHORT CHIP				R7117	1-216-833-11	METAL CHIP	10K	5%	1/10W
R7014	1-216-841-11	METAL CHIP	47K	5%	1/10W	R7118	1-216-825-11	METAL CHIP	2.2K	5%	1/10W
R7015	1-216-841-11	METAL CHIP	47K	5%	1/10W	R7119	1-216-825-11	METAL CHIP	2.2K	5%	1/10W
R7017	1-216-833-11	METAL CHIP	10K	5%	1/10W	R7120	1-216-864-11	SHORT CHIP			
R7018	1-216-864-11	SHORT CHIP				R7122	1-216-864-11	SHORT CHIP			
R7019	1-216-864-11	SHORT CHIP				R7124	1-218-867-11	METAL CHIP	6.8K	0.50%	1/10W
R7020	1-216-841-11	METAL CHIP	47K	5%	1/10W	R7125	1-218-867-11	METAL CHIP	6.8K	0.50%	1/10W
R7025	1-216-864-11	SHORT CHIP				R7126	1-218-871-11	METAL CHIP	10K	0.50%	1/10W
R7031	1-218-863-11	METAL CHIP	4.7K	0.50%	1/10W	R7127	1-218-877-11	METAL CHIP	18K	0.50%	1/10W
R7032	1-218-875-11	METAL CHIP	15K	0.50%	1/10W	R7128	1-218-901-11	METAL CHIP	180K	0.50%	1/10W
R7033	1-218-863-11	METAL CHIP	4.7K	0.50%	1/10W	R7129	1-218-871-11	METAL CHIP	10K	0.50%	1/10W
R7034	1-218-875-11	METAL CHIP	15K	0.50%	1/10W	R7130	1-218-867-11	METAL CHIP	6.8K	0.50%	1/10W
R7035	1-216-845-11	METAL CHIP	100K	5%	1/10W	R7131	1-218-867-11	METAL CHIP	6.8K	0.50%	1/10W
R7037	1-216-833-11	METAL CHIP	10K	5%	1/10W	R7132	1-218-895-11	METAL CHIP	100K	0.50%	1/10W
R7039	1-218-873-11	METAL CHIP	12K	0.50%	1/10W	R7133	1-218-895-11	METAL CHIP	100K	0.50%	1/10W
R7040	1-218-875-11	METAL CHIP	15K	0.50%	1/10W	R7134	1-216-296-11	SHORT CHIP			
R7041	1-216-833-11	METAL CHIP	10K	5%	1/10W	R7135	1-216-296-11	SHORT CHIP			
R7045	1-216-833-11	METAL CHIP	10K	5%	1/10W	R7136	1-216-296-11	SHORT CHIP			
R7047	1-216-833-11	METAL CHIP	10K	5%	1/10W	R7137	1-216-296-11	SHORT CHIP			
R7049	1-216-841-11	METAL CHIP	47K	5%	1/10W	R7142	1-216-845-11	METAL CHIP	100K	5%	1/10W
R7050	1-218-863-11	METAL CHIP	4.7K	0.50%	1/10W	R7143	1-216-845-11	METAL CHIP	100K	5%	1/10W
R7054	1-216-841-11	METAL CHIP	47K	5%	1/10W	R7144	1-216-845-11	METAL CHIP	100K	5%	1/10W
R7055	1-216-845-11	METAL CHIP	100K	5%	1/10W	R7145	1-216-845-11	METAL CHIP	100K	5%	1/10W
R7056	1-218-863-11	METAL CHIP	4.7K	0.50%	1/10W	R7146	1-216-845-11	METAL CHIP	100K	5%	1/10W
R7057	1-218-875-11	METAL CHIP	15K	0.50%	1/10W	R7147	1-216-845-11	METAL CHIP	100K	5%	1/10W
R7059	1-218-875-11	METAL CHIP	15K	0.50%	1/10W	R7152	1-216-833-11	METAL CHIP	10K	5%	1/10W
R7061	1-218-871-11	METAL CHIP	10K	0.50%	1/10W	R7153	1-216-845-11	METAL CHIP	100K	5%	1/10W
R7062	1-218-869-11	METAL CHIP	8.2K	0.50%	1/10W	R7154	1-216-845-11	METAL CHIP	100K	5%	1/10W
R7063	1-218-869-11	METAL CHIP	8.2K	0.50%	1/10W	R7155	1-216-864-11	SHORT CHIP			
R7064	1-218-871-11	METAL CHIP	10K	0.50%	1/10W	R7156	1-216-841-11	METAL CHIP	47K	5%	1/10W
R7066	1-218-867-11	METAL CHIP	6.8K	0.50%	1/10W	R7158	1-216-833-11	METAL CHIP	10K	5%	1/10W
R7067	1-216-833-11	METAL CHIP	10K	5%	1/10W	R7501	1-414-445-11	FERRITE	0μH		
R7087	1-216-857-11	METAL CHIP	1M	5%	1/10W	R7503	1-216-864-11	SHORT CHIP			
R7088	1-216-837-11	METAL CHIP	22K	5%	1/10W	R7504	1-216-864-11	SHORT CHIP			
R7093	1-216-841-11	METAL CHIP	47K	5%	1/10W	R7600	1-216-864-11	SHORT CHIP			
R7101	1-216-845-11	METAL CHIP	100K	5%	1/10W	R7601	1-216-829-11	METAL CHIP	4.7K	5%	1/10W
R7102	1-216-833-11	METAL CHIP	10K	5%	1/10W	R7602	1-216-829-11	METAL CHIP	4.7K	5%	1/10W
R7103	1-218-865-11	METAL CHIP	5.6K	0.50%	1/10W	R7603	1-218-873-11	METAL CHIP	12K	0.50%	1/10W



REF. NO.	PART NO.	DESCRIPTION	VALUES			REF. NO.	PART NO.	DESCRIPTION	VALUES		
R7604	1-218-875-11	METAL CHIP	15K	0.50%	1/10W	R7683	1-216-864-11	SHORT CHIP			
R7605	1-216-841-11	METAL CHIP	47K	5%	1/10W	R7684	1-216-864-11	SHORT CHIP			
R7606	1-216-841-11	METAL CHIP	47K	5%	1/10W	R9004	1-216-853-11	METAL CHIP	470K	5%	1/10W
R7614	1-216-833-11	METAL CHIP	10K	5%	1/10W	R9005	1-216-853-11	METAL CHIP	470K	5%	1/10W
R7615	1-218-873-11	METAL CHIP	12K	0.50%	1/10W	R9006	1-216-853-11	METAL CHIP	470K	5%	1/10W
R7620	1-218-871-11	METAL CHIP	10K	0.50%	1/10W	R9007	1-216-853-11	METAL CHIP	470K	5%	1/10W
R7621	1-218-863-11	METAL CHIP	4.7K	0.50%	1/10W	R9008	1-218-831-11	METAL CHIP	220	0.50%	1/10W
R7622	1-218-863-11	METAL CHIP	4.7K	0.50%	1/10W	R9009	1-218-831-11	METAL CHIP	220	0.50%	1/10W
R7623	1-218-871-11	METAL CHIP	10K	0.50%	1/10W	R9010	1-216-864-11	SHORT CHIP			
R7626	1-216-845-11	METAL CHIP	100K	5%	1/10W	R9011	1-216-864-11	SHORT CHIP			
R7627	1-216-845-11	METAL CHIP	100K	5%	1/10W	R9012	1-216-864-11	SHORT CHIP			
R7628	1-216-844-11	METAL CHIP	82K	5%	1/10W	R9013	1-216-864-11	SHORT CHIP			
R7629	1-216-827-11	METAL CHIP	3.3K	5%	1/10W	R9014	1-218-831-11	METAL CHIP	220	0.50%	1/10W
R7630	1-216-827-11	METAL CHIP	3.3K	5%	1/10W	R9015	1-218-831-11	METAL CHIP	220	0.50%	1/10W
R7631	1-216-844-11	METAL CHIP	82K	5%	1/10W	R9016	1-218-831-11	METAL CHIP	220	0.50%	1/10W
R7632	1-218-887-11	METAL CHIP	47K	0.50%	1/10W	R9017	1-218-831-11	METAL CHIP	220	0.50%	1/10W
R7633	1-218-887-11	METAL CHIP	47K	0.50%	1/10W	R9018	1-218-831-11	METAL CHIP	220	0.50%	1/10W
R7634	1-218-855-11	METAL CHIP	2.2K	0.50%	1/10W	R9019	1-216-853-11	METAL CHIP	470K	5%	1/10W
R7635	1-218-855-11	METAL CHIP	2.2K	0.50%	1/10W	R9020	1-216-853-11	METAL CHIP	470K	5%	1/10W
R7636	1-216-837-11	METAL CHIP	22K	5%	1/10W	R9021	1-216-853-11	METAL CHIP	470K	5%	1/10W
R7637	1-216-857-11	METAL CHIP	1M	5%	1/10W	R9022	1-216-853-11	METAL CHIP	470K	5%	1/10W
R7639	1-216-845-11	METAL CHIP	100K	5%	1/10W	R9023	1-216-864-11	SHORT CHIP			
R7641	1-216-825-11	METAL CHIP	2.2K	5%	1/10W	R9024	1-216-864-11	SHORT CHIP			
R7642	1-216-825-11	METAL CHIP	2.2K	5%	1/10W	R9025	1-218-831-11	METAL CHIP	220	0.50%	1/10W
R7643	1-216-845-11	METAL CHIP	100K	5%	1/10W	R9026	1-218-831-11	METAL CHIP	220	0.50%	1/10W
R7644	1-216-813-11	METAL CHIP	220	5%	1/10W	R9027	1-218-831-11	METAL CHIP	220	0.50%	1/10W
R7646	1-216-813-11	METAL CHIP	220	5%	1/10W	R9028	1-218-831-11	METAL CHIP	220	0.50%	1/10W
R7650	1-216-841-11	METAL CHIP	47K	5%	1/10W	R9029	1-218-831-11	METAL CHIP	220	0.50%	1/10W
R7651	1-216-864-11	SHORT CHIP				R9030	1-216-864-11	SHORT CHIP			
R7652	1-216-864-11	SHORT CHIP				R9031	1-216-864-11	SHORT CHIP			
R7653	1-216-864-11	SHORT CHIP				R9032	1-218-831-11	METAL CHIP	220	0.50%	1/10W
R7654	1-216-841-11	METAL CHIP	47K	5%	1/10W	R9033	1-218-831-11	METAL CHIP	220	0.50%	1/10W
R7655	1-216-829-11	METAL CHIP	4.7K	5%	1/10W	R9034	1-216-801-11	METAL CHIP	22	5%	1/10W
R7656	1-216-829-11	METAL CHIP	4.7K	5%	1/10W	R9035	1-218-831-11	METAL CHIP	220	0.50%	1/10W
R7657	1-216-837-11	METAL CHIP	22K	5%	1/10W	R9036	1-216-801-11	METAL CHIP	22	5%	1/10W
R7658	1-216-857-11	METAL CHIP	1M	5%	1/10W	R9037	1-216-801-11	METAL CHIP	22	5%	1/10W
R7659	1-216-833-11	METAL CHIP	10K	5%	1/10W	R9038	1-216-801-11	METAL CHIP	22	5%	1/10W
R7660	1-216-841-11	METAL CHIP	47K	5%	1/10W	R9039	1-218-285-11	METAL CHIP	75	5%	1/10W
R7661	1-216-864-11	SHORT CHIP				R9040	1-218-831-11	METAL CHIP	220	0.50%	1/10W
R7662	1-216-841-11	METAL CHIP	47K	5%	1/10W	R9041	1-218-831-11	METAL CHIP	220	0.50%	1/10W
R7663	1-216-833-11	METAL CHIP	10K	5%	1/10W	R9042	1-218-831-11	METAL CHIP	220	0.50%	1/10W
R7676	1-216-864-11	SHORT CHIP				R9043	1-216-801-11	METAL CHIP	22	5%	1/10W
R7679	1-216-864-11	SHORT CHIP				R9044	1-216-801-11	METAL CHIP	22	5%	1/10W
R7682	1-216-864-11	SHORT CHIP				R9045	1-216-864-11	SHORT CHIP			



REF. NO.	PART NO.	DESCRIPTION	VALUES			REF. NO.	PART NO.	DESCRIPTION	VALUES		
R9046	1-216-864-11	SHORT CHIP				VARISTOR					
R9057	1-216-809-11	METAL CHIP	100	5%	1/10W	VD9001	8-719-977-28	DIODE		DTZ10B	
R9058	1-216-809-11	METAL CHIP	100	5%	1/10W	VD9002	8-719-977-28	DIODE		DTZ10B	
R9059	1-216-821-11	METAL CHIP	1K	5%	1/10W	VD9003	8-719-977-28	DIODE		DTZ10B	
R9060	1-216-821-11	METAL CHIP	1K	5%	1/10W	VD9004	8-719-977-28	DIODE		DTZ10B	
R9061	1-216-809-11	METAL CHIP	100	5%	1/10W	VD9005	8-719-977-28	DIODE		DTZ10B	
R9062	1-218-831-11	METAL CHIP	220	0.50%	1/10W	VD9006	8-719-977-28	DIODE		DTZ10B	
R9063	1-218-831-11	METAL CHIP	220	0.50%	1/10W	VD9007	8-719-977-28	DIODE		DTZ10B	
R9064	1-218-831-11	METAL CHIP	220	0.50%	1/10W	VD9008	8-719-977-28	DIODE		DTZ10B	
R9065	1-218-831-11	METAL CHIP	220	0.50%	1/10W	VD9009	8-719-977-28	DIODE		DTZ10B	
R9066	1-218-831-11	METAL CHIP	220	0.50%	1/10W	VD9010	8-719-977-28	DIODE		DTZ10B	
R9067	1-218-831-11	METAL CHIP	220	0.50%	1/10W	VD9011	8-719-977-28	DIODE		DTZ10B	
R9068	1-218-831-11	METAL CHIP	220	0.50%	1/10W	VD9012	8-719-977-28	DIODE		DTZ10B	
R9069	1-218-831-11	METAL CHIP	220	0.50%	1/10W	VD9025	1-802-082-11	VARISTOR		(SMD)	
R9070	1-218-831-11	METAL CHIP	220	0.50%	1/10W	VD9026	1-802-082-11	VARISTOR		(SMD)	
R9078	1-216-809-11	METAL CHIP	100	5%	1/10W	VD9303	1-802-082-11	VARISTOR		(SMD)	
R9086	1-216-864-11	SHORT CHIP				VD9304	1-802-082-11	VARISTOR		(SMD)	
R9088	1-216-849-11	METAL CHIP	220K	5%	1/10W	VD9305	1-802-082-11	VARISTOR		(SMD)	
R9089	1-216-849-11	METAL CHIP	220K	5%	1/10W	CRYSTAL					
R9095	1-216-821-11	METAL CHIP	1K	5%	1/10W	X7000	1-795-612-11	VIBRATOR, CRYSTAL			
R9096	1-216-821-11	METAL CHIP	1K	5%	1/10W	A5001	1-694-974-21	CONTACT TERMINAL			
R9097	1-216-821-11	METAL CHIP	1K	5%	1/10W	BU					
R9098	1-216-821-11	METAL CHIP	1K	5%	1/10W						
R9099	1-216-821-11	METAL CHIP	1K	5%	1/10W						
R9100	1-216-821-11	METAL CHIP	1K	5%	1/10W						
R9101	1-216-821-11	METAL CHIP	1K	5%	1/10W						
R9102	1-216-821-11	METAL CHIP	1K	5%	1/10W						
R9150	1-216-864-11	SHORT CHIP									
R9151	1-216-864-11	SHORT CHIP									
R9152	1-216-864-11	SHORT CHIP									
R9153	1-216-864-11	SHORT CHIP									
R9154	1-216-864-11	SHORT CHIP									
R9155	1-216-864-11	SHORT CHIP									
R9156	1-216-864-11	SHORT CHIP									
R9157	1-216-864-11	SHORT CHIP									
R9158	1-216-864-11	SHORT CHIP									
R9333	1-216-864-11	SHORT CHIP									
R9334	1-216-864-11	SHORT CHIP									
R9501	1-216-864-11	SHORT CHIP									
R9502	1-216-864-11	SHORT CHIP									
R9506	1-218-885-11	METAL CHIP	39K	0.50%	1/10W	CRAPACITOR					
R9542	1-216-864-11	SHORT CHIP				C1003	1-162-964-11	CERAMIC CHIP	0.001μF	10% 50V	
						C1004	1-162-974-11	CERAMIC CHIP	0.01μF	50V	
						C1005	1-162-970-11	CERAMIC CHIP	0.01μF	10% 25V	
						C1006	1-162-970-11	CERAMIC CHIP	0.01μF	10% 25V	
						C1007	1-162-970-11	CERAMIC CHIP	0.01μF	10% 25V	
						C1010	1-100-566-91	CERAMIC CHIP	0.1μF	10% 25V	
						C1011	1-126-206-11	ELECT CHIP	100μF	20% 6.3V	
						C1012	1-100-591-91	CERAMIC CHIP	1μF	10% 25V	
						C1015	1-162-964-11	CERAMIC CHIP	0.001μF	10% 50V	
						C1016	1-107-826-11	CERAMIC CHIP	0.1μF	10% 16V	
						C1017	1-162-964-11	CERAMIC CHIP	0.001μF	10% 50V	
						C1018	1-107-826-11	CERAMIC CHIP	0.1μF	10% 16V	
						C1019	1-162-912-11	CERAMIC CHIP	7pF	0.50pF 50V	



REF. NO.	PART NO.	DESCRIPTION	VALUES			REF. NO.	PART NO.	DESCRIPTION	VALUES		
C1022	1-126-392-11	ELECT CHIP	100μF	20%	6.3V	C1093	1-107-826-11	CERAMIC CHIP	0.1μF	10%	16V
C1023	1-100-566-91	CERAMIC CHIP	0.1μF	10%	25V	C1094	1-117-681-11	ELECT CHIP	100μF	20%	16V
C1024	1-126-392-11	ELECT CHIP	100μF	20%	6.3V	C1100	1-162-964-11	CERAMIC CHIP	0.001μF	10%	50V
C1027	1-100-566-91	CERAMIC CHIP	0.1μF	10%	25V	C1110	1-125-777-11	CERAMIC CHIP	0.1μF	10%	10V
C1029	1-162-964-11	CERAMIC CHIP	0.001μF	10%	50V	C1701	1-162-964-11	CERAMIC CHIP	0.001μF	10%	50V
C1033	1-162-964-11	CERAMIC CHIP	0.001μF	10%	50V	C4700	1-117-681-11	ELECT CHIP	100μF	20%	16V
C1035	1-107-826-11	CERAMIC CHIP	0.1μF	10%	16V	C4701	1-162-970-11	CERAMIC CHIP	0.01μF	10%	25V
C1036	1-165-908-11	CERAMIC CHIP	1μF	10%	10V	C4702	1-162-927-11	CERAMIC CHIP	100pF	5%	50V
C1044	1-100-591-91	CERAMIC CHIP	1μF	10%	25V	C5000	1-100-566-91	CERAMIC CHIP	0.1μF	10%	25V
C1046	1-162-964-11	CERAMIC CHIP	0.001μF	10%	50V	C5002	1-100-566-91	CERAMIC CHIP	0.1μF	10%	25V
C1047	1-107-826-11	CERAMIC CHIP	0.1μF	10%	16V	C5003	1-100-566-91	CERAMIC CHIP	0.1μF	10%	25V
C1048	1-100-566-91	CERAMIC CHIP	0.1μF	10%	25V	C5005	1-100-566-91	CERAMIC CHIP	0.1μF	10%	25V
C1049	1-162-964-11	CERAMIC CHIP	0.001μF	10%	50V	C5006	1-100-566-91	CERAMIC CHIP	0.1μF	10%	25V
C1050	1-107-826-11	CERAMIC CHIP	0.1μF	10%	16V	C5007	1-100-566-91	CERAMIC CHIP	0.1μF	10%	25V
C1051	1-126-394-11	ELECT CHIP	10μF	20%	16V	C5009	1-162-905-11	CERAMIC CHIP	1pF	0.25pF	50V
C1052	1-100-566-91	CERAMIC CHIP	0.1μF	10%	25V	C5010	1-100-566-91	CERAMIC CHIP	0.1μF	10%	25V
C1053	1-126-394-11	ELECT CHIP	10μF	20%	16V	C5011	1-100-566-91	CERAMIC CHIP	0.1μF	10%	25V
C1054	1-107-826-11	CERAMIC CHIP	0.1μF	10%	16V	C5012	1-100-566-91	CERAMIC CHIP	0.1μF	10%	25V
C1056	1-107-826-11	CERAMIC CHIP	0.1μF	10%	16V	C5013	1-100-566-91	CERAMIC CHIP	0.1μF	10%	25V
C1057	1-100-566-91	CERAMIC CHIP	0.1μF	10%	25V	C5014	1-100-566-91	CERAMIC CHIP	0.1μF	10%	25V
C1060	1-162-964-11	CERAMIC CHIP	0.001μF	10%	50V	C5015	1-100-566-91	CERAMIC CHIP	0.1μF	10%	25V
C1061	1-162-964-11	CERAMIC CHIP	0.001μF	10%	50V	C5016	1-100-566-91	CERAMIC CHIP	0.1μF	10%	25V
C1062	1-126-394-11	ELECT CHIP	10μF	20%	16V	C5017	1-100-566-91	CERAMIC CHIP	0.1μF	10%	25V
C1063	1-100-566-91	CERAMIC CHIP	0.1μF	10%	25V	C5018	1-100-566-91	CERAMIC CHIP	0.1μF	10%	25V
C1066	1-100-566-91	CERAMIC CHIP	0.1μF	10%	25V	C5019	1-100-566-91	CERAMIC CHIP	0.1μF	10%	25V
C1067	1-100-566-91	CERAMIC CHIP	0.1μF	10%	25V	C5020	1-100-566-91	CERAMIC CHIP	0.1μF	10%	25V
C1068	1-100-566-91	CERAMIC CHIP	0.1μF	10%	25V	C5021	1-100-566-91	CERAMIC CHIP	0.1μF	10%	25V
C1069	1-100-566-91	CERAMIC CHIP	0.1μF	10%	25V	C5022	1-162-905-11	CERAMIC CHIP	1pF	0.25pF	50V
C1070	1-162-970-11	CERAMIC CHIP	0.01μF	10%	25V	C5023	1-162-970-11	CERAMIC CHIP	0.01μF	10%	25V
C1071	1-162-927-11	CERAMIC CHIP	100pF	5%	50V	C5024	1-162-970-11	CERAMIC CHIP	0.01μF	10%	25V
C1072	1-100-566-91	CERAMIC CHIP	0.1μF	10%	25V	C5025	1-162-964-11	CERAMIC CHIP	0.001μF	10%	50V
C1073	1-126-390-11	ELECT CHIP	22μF	20%	6.3V	C5027	1-162-970-11	CERAMIC CHIP	0.01μF	10%	25V
C1074	1-100-566-91	CERAMIC CHIP	0.1μF	10%	25V	C5028	1-164-315-11	CERAMIC CHIP	470pF	5%	50V
C1075	1-162-966-11	CERAMIC CHIP	0.0022μF	10%	50V	C5032	1-127-715-91	CERAMIC CHIP	0.22μF	10%	16V
C1076	1-165-908-11	CERAMIC CHIP	1μF	10%	10V	C5033	1-117-681-11	ELECT CHIP	100μF	20%	16V
C1079	1-107-826-11	CERAMIC CHIP	0.1μF	10%	16V	C5201	1-100-566-91	CERAMIC CHIP	0.1μF	10%	25V
C1080	1-162-964-11	CERAMIC CHIP	0.001μF	10%	50V	C5202	1-100-566-91	CERAMIC CHIP	0.1μF	10%	25V
C1081	1-126-391-11	ELECT CHIP	47μF	20%	6.3V	C5204	1-126-392-11	ELECT CHIP	100μF	20%	6.3V
C1082	1-126-394-11	ELECT CHIP	10μF	20%	16V	C5205	1-100-566-91	CERAMIC CHIP	0.1μF	10%	25V
C1083	1-100-566-91	CERAMIC CHIP	0.1μF	10%	25V	C5208	1-162-964-11	CERAMIC CHIP	0.001μF	10%	50V
C1084	1-115-416-11	CERAMIC CHIP	0.001μF	5%	25V	C5209	1-126-392-11	ELECT CHIP	100μF	20%	6.3V
C1087	1-107-826-11	CERAMIC CHIP	0.1μF	10%	16V	C5211	1-126-392-11	ELECT CHIP	100μF	20%	6.3V
C1091	1-126-396-11	ELECT CHIP	47μF	20%	16V	C5212	1-162-979-11	CERAMIC CHIP	0.0027μF	10%	50V
C1092	1-100-566-91	CERAMIC CHIP	0.1μF	10%	25V	C5213	1-162-979-11	CERAMIC CHIP	0.0027μF	10%	50V



REF. NO.	PART NO.	DESCRIPTION	VALUES			REF. NO.	PART NO.	DESCRIPTION	VALUES		
C5216	1-100-566-91	CERAMIC CHIP	0.1μF	10%	25V	C5507	1-162-968-11	CERAMIC CHIP	0.0047μF	10%	50V
C5217	1-100-566-91	CERAMIC CHIP	0.1μF	10%	25V	C5508	1-162-970-11	CERAMIC CHIP	0.01μF	10%	25V
C5218	1-100-566-91	CERAMIC CHIP	0.1μF	10%	25V	C5510	1-162-927-11	CERAMIC CHIP	100pF	5%	50V
C5219	1-126-392-11	ELECT CHIP	100μF	20%	6.3V	C5512	1-100-566-91	CERAMIC CHIP	0.1μF	10%	25V
C5220	1-162-964-11	CERAMIC CHIP	0.001μF	10%	50V	C5513	1-100-566-91	CERAMIC CHIP	0.1μF	10%	25V
C5221	1-100-566-91	CERAMIC CHIP	0.1μF	10%	25V	C5514	1-162-970-11	CERAMIC CHIP	0.01μF	10%	25V
C5222	1-100-566-91	CERAMIC CHIP	0.1μF	10%	25V	C6002	1-100-566-91	CERAMIC CHIP	0.1μF	10%	25V
C5224	1-126-392-11	ELECT CHIP	100μF	20%	6.3V	C6003	1-127-573-11	CERAMIC CHIP	1μF	10%	16V
C5225	1-162-960-11	CERAMIC CHIP	220pF	10%	50V	C6004	1-127-573-11	CERAMIC CHIP	1μF	10%	16V
C5226	1-100-566-91	CERAMIC CHIP	0.1μF	10%	25V	C6005	1-162-927-11	CERAMIC CHIP	100pF	5%	50V
C5230	1-162-964-11	CERAMIC CHIP	0.001μF	10%	50V	C6006	1-162-927-11	CERAMIC CHIP	100pF	5%	50V
C5231	1-100-566-91	CERAMIC CHIP	0.1μF	10%	25V	C6012	1-100-566-91	CERAMIC CHIP	0.1μF	10%	25V
C5234	1-162-964-11	CERAMIC CHIP	0.001μF	10%	50V	C6013	1-127-573-11	CERAMIC CHIP	1μF	10%	16V
C5236	1-162-964-11	CERAMIC CHIP	0.001μF	10%	50V	C6014	1-127-573-11	CERAMIC CHIP	1μF	10%	16V
C5237	1-162-964-11	CERAMIC CHIP	0.001μF	10%	50V	C7000	1-100-591-91	CERAMIC CHIP	1μF	10%	25V
C5239	1-100-566-91	CERAMIC CHIP	0.1μF	10%	25V	C7001	1-112-064-11	CERAMIC CHIP	2.2μF	10%	10V
C5240	1-162-964-11	CERAMIC CHIP	0.001μF	10%	50V	C7002	1-112-064-11	CERAMIC CHIP	2.2μF	10%	10V
C5241	1-126-392-11	ELECT CHIP	100μF	20%	6.3V	C7003	1-164-315-11	CERAMIC CHIP	470pF	5%	50V
C5246	1-162-964-11	CERAMIC CHIP	0.001μF	10%	50V	C7004	1-164-315-11	CERAMIC CHIP	470pF	5%	50V
C5250	1-162-964-11	CERAMIC CHIP	0.001μF	10%	50V	C7005	1-162-966-11	CERAMIC CHIP	0.0022μF	10%	50V
C5252	1-100-566-91	CERAMIC CHIP	0.1μF	10%	25V	C7006	1-162-966-11	CERAMIC CHIP	0.0022μF	10%	50V
C5253	1-126-392-11	ELECT CHIP	100μF	20%	6.3V	C7007	1-100-552-21	ELECT CHIP	10μF	20%	25V
C5254	1-126-392-11	ELECT CHIP	100μF	20%	6.3V	C7008	1-164-004-11	CERAMIC CHIP	0.1μF	10%	25V
C5255	1-100-566-91	CERAMIC CHIP	0.1μF	10%	25V	C7009	1-162-927-11	CERAMIC CHIP	100pF	5%	50V
C5256	1-100-566-91	CERAMIC CHIP	0.1μF	10%	25V	C7010	1-127-573-11	CERAMIC CHIP	1μF	10%	16V
C5257	1-100-566-91	CERAMIC CHIP	0.1μF	10%	25V	C7011	1-128-536-11	ELECT CHIP	100μF	20%	25V
C5258	1-100-566-91	CERAMIC CHIP	0.1μF	10%	25V	C7012	1-110-648-11	ELECT CHIP	220μF	20%	25V
C5259	1-100-566-91	CERAMIC CHIP	0.1μF	10%	25V	C7013	1-100-591-91	CERAMIC CHIP	1μF	10%	25V
C5260	1-100-566-91	CERAMIC CHIP	0.1μF	10%	25V	C7014	1-100-591-91	CERAMIC CHIP	1μF	10%	25V
C5262	1-100-566-91	CERAMIC CHIP	0.1μF	10%	25V	C7015	1-164-004-11	CERAMIC CHIP	0.1μF	10%	25V
C5265	1-162-964-11	CERAMIC CHIP	0.001μF	10%	50V	C7016	1-100-591-91	CERAMIC CHIP	1μF	10%	25V
C5269	1-162-964-11	CERAMIC CHIP	0.001μF	10%	50V	C7017	1-164-004-11	CERAMIC CHIP	0.1μF	10%	25V
C5270	1-162-964-11	CERAMIC CHIP	0.001μF	10%	50V	C7023	1-162-970-11	CERAMIC CHIP	0.01μF	10%	25V
C5271	1-162-964-11	CERAMIC CHIP	0.001μF	10%	50V	C7025	1-125-827-91	CERAMIC CHIP	1μF	10%	25V
C5273	1-162-964-11	CERAMIC CHIP	0.001μF	10%	50V	C7026	1-125-827-91	CERAMIC CHIP	1μF	10%	25V
C5274	1-162-964-11	CERAMIC CHIP	0.001μF	10%	50V	C7027	1-162-970-11	CERAMIC CHIP	0.01μF	10%	25V
C5278	1-100-566-91	CERAMIC CHIP	0.1μF	10%	25V	C7028	1-112-794-11	ELECT CHIP	470μF	20%	16V
C5279	1-125-837-91	CERAMIC CHIP	1μF	10%	6.3V	C7030	1-112-794-11	ELECT CHIP	470μF	20%	16V
C5280	1-100-566-91	CERAMIC CHIP	0.1μF	10%	25V	C7031	1-100-551-21	ELECT CHIP	22μF	20%	20V
C5281	1-100-566-91	CERAMIC CHIP	0.1μF	10%	25V	C7032	1-165-673-21	ELECT CHIP	56μF	20%	10V
C5502	1-162-970-11	CERAMIC CHIP	0.01μF	10%	25V	C7034	1-164-004-11	CERAMIC CHIP	0.1μF	10%	25V
C5503	1-100-566-91	CERAMIC CHIP	0.1μF	10%	25V	C7035	1-164-004-11	CERAMIC CHIP	0.1μF	10%	25V
C5504	1-162-970-11	CERAMIC CHIP	0.01μF	10%	25V	C7036	1-162-970-11	CERAMIC CHIP	0.01μF	10%	25V
C5506	1-126-392-11	ELECT CHIP	100μF	20%	6.3V	C7037	1-162-970-11	CERAMIC CHIP	0.01μF	10%	25V



NOTE: The components identified by shading and \triangle mark are critical for safety. Replace only with part number specified.

NOTE: Les composants identifiés par un trame et une marque \triangle sont critiques pour la sécurité. Ne les remplacer que par une pièce portant le numéro spécifié.

REF. NO.	PART NO.	DESCRIPTION	VALUES	REF. NO.	PART NO.	DESCRIPTION	VALUES
C7040	1-126-392-11	ELECT CHIP	100µF 20% 6.3V	CN4702	1-820-252-51	FFC/FPC CONNECTOR (ZIF)	40P
C7041	1-100-566-91	CERAMIC CHIP	0.1µF 10% 25V	CN7002	1-780-336-11	EARTH TERMINAL	
C7042	1-126-392-11	ELECT CHIP	100µF 20% 6.3V	CN7003	1-780-336-11	EARTH TERMINAL	
C7045	1-131-661-21	ELECT CHIP	100µF 20% 10V	CN7004	1-780-336-11	EARTH TERMINAL	
C7047	1-100-566-91	CERAMIC CHIP	0.1µF 10% 25V	CN7005	1-780-336-11	EARTH TERMINAL	
C7051	1-135-595-11	ELECT	100µF 20% 6.3V	CN7008	1-820-186-11	HEADER ASSEMBLY (PRINT PWB)	
C7052	1-165-673-21	ELECT CHIP	56µF 20% 10V	CN7009	1-820-184-11	HEADER ASSEMBLY (PRINT PWB)	
C7054	1-100-597-91	CERAMIC CHIP	0.1µF 10% 25V	CN9000	1-818-737-11	HDMI CONNECTOR	
C7056	1-162-970-11	CERAMIC CHIP	0.01µF 10% 25V	DIODE			
C7057	1-127-760-11	CERAMIC CHIP	4.7µF 10% 6.3V	D1002	8-719-058-24	DIODE	RB501V-40TE-17
C7058	1-162-970-11	CERAMIC CHIP	0.01µF 10% 25V	D1006	8-719-081-97	DIODE	MMDL914T1
C7100	1-162-964-11	CERAMIC CHIP	0.001µF 10% 50V	D1007	8-719-077-59	DIODE	1PS302
C7101	1-110-648-11	ELECT CHIP	220µF 20% 25V	D1020	8-719-036-94	DIODE	RD5.6SB-T1
C7521	1-164-937-11	CERAMIC CHIP	0.001µF 10% 50V	D1021	8-719-036-94	DIODE	RD5.6SB-T1
C9002	1-124-779-00	ELECT CHIP	10µF 20% 16V	D6000	8-719-036-94	DIODE	RD5.6SB-T1
C9003	1-107-826-11	CERAMIC CHIP	0.1µF 10% 16V	D6001	8-719-036-94	DIODE	RD5.6SB-T1
C9005	1-125-777-11	CERAMIC CHIP	0.1µF 10% 10V	D6002	8-719-036-94	DIODE	RD5.6SB-T1
C9007	1-127-573-11	CERAMIC CHIP	1µF 10% 16V	D6003	8-719-050-38	DIODE	M1MA152WK-T1
C9008	1-127-573-11	CERAMIC CHIP	1µF 10% 16V	D7000	8-719-081-97	DIODE	MMDL914T1
C9009	1-100-567-81	CERAMIC CHIP	10000pF 10% 25V	D7001	6-501-336-01	DIODE	RSX201L-30TE25
C9011	1-125-777-11	CERAMIC CHIP	0.1µF 10% 10V	D7003	8-719-081-97	DIODE	MMDL914T1
C9012	1-162-964-11	CERAMIC CHIP	0.001µF 10% 50V	D7004	8-719-072-43	DIODE	RB050L-40TE25
C9013	1-125-777-11	CERAMIC CHIP	0.1µF 10% 10V	D7005	8-719-072-43	DIODE	RB050L-40TE25
C9014	1-124-779-00	ELECT CHIP	10µF 20% 16V	D7006	6-501-336-01	DIODE	RSX201L-30TE25
C9030	1-162-964-11	CERAMIC CHIP	0.001µF 10% 50V	D7008	8-719-068-71	DIODE	PTZ-TE25-13A
C9031	1-164-937-11	CERAMIC CHIP	0.001µF 10% 50V	D7009	8-719-073-69	DIODE	PTZ-TE25-6.2A
C9032	1-164-937-11	CERAMIC CHIP	0.001µF 10% 50V	D7010	8-719-056-83	DIODE	UDZ-TE-17-6.8B
C9033	1-100-566-91	CERAMIC CHIP	0.1µF 10% 25V	D7014	8-719-056-83	DIODE	UDZ-TE-17-6.8B
C9034	1-126-396-11	ELECT CHIP	47µF 20% 16V	D7500	8-719-056-84	DIODE	UDZ-TE-17-7.5B
C9035	1-127-573-11	CERAMIC CHIP	1µF 10% 16V	D7508	8-719-081-97	DIODE	MMDL914T1
C9036	1-127-573-11	CERAMIC CHIP	1µF 10% 16V	D7509	8-719-081-97	DIODE	MMDL914T1
C9037	1-112-064-11	CERAMIC CHIP	2.2µF 10% 10V	D7510	8-719-081-97	DIODE	MMDL914T1
C9038	1-112-064-11	CERAMIC CHIP	2.2µF 10% 10V	D9004	8-719-081-97	DIODE	MMDL914T1
C9039	1-115-412-11	CERAMIC CHIP	680pF 5% 25V	D9013	8-719-081-97	DIODE	MMDL914T1
C9040	1-115-412-11	CERAMIC CHIP	680pF 5% 25V	D9014	8-719-050-37	DIODE	M1MA152WA-T1
C9042	1-125-777-11	CERAMIC CHIP	0.1µF 10% 10V	D9015	8-719-081-97	DIODE	MMDL914T1
CONNECTOR				FUSE			
CN1001	1-819-390-51	FFC/FPC CONNECTOR (ZIF)	49P	\triangle F7000	1-576-603-21	FUSE	3.15A 24V
CN1003	1-779-331-51	CONNECTOR, FFC/FPC	14P	FERRITE BEAD			
CN1004	1-779-936-51	CONNECTOR, FFC/FPC	18P	FB1001	1-414-227-11	FERRITE	0µH
CN1008	1-820-187-11	HEADER ASSEMBLY (PRINT PWB)	10P	FB1002	1-400-110-21	FERRITE	0µH
CN1700	1-820-187-11	HEADER ASSEMBLY (PRINT PWB)	10P				



NOTE: The components identified by shading and \triangle mark are critical for safety. Replace only with part number specified.

NOTE: Les composants identifiés par un trame et une marque \triangle sont critiques pour la sécurité. Ne les remplacer que par une pièce portant le numéro spécifié.

REF. NO.	PART NO.	DESCRIPTION	VALUES	REF. NO.	PART NO.	DESCRIPTION	VALUES
FB1004	1-400-110-21	FERRITE	0 μ H	IC5201	8-759-651-59	IC	SN74CBTLV3245APWR
FB1005	1-400-110-21	FERRITE	0 μ H	IC5202	8-759-651-59	IC	SN74CBTLV3245APWR
FB1006	1-400-110-21	FERRITE	0 μ H	IC5203	6-706-491-01	IC	TC7SH86FU(T5RSOYJF)
FB1007	1-400-110-21	FERRITE	0 μ H	IC5500	6-707-822-01	IC	EM6A9320BI-5MG
FB1720	1-400-141-22	FERRITE	0 μ H	IC6000	6-704-600-01	IC	M24C02-WMN6T(B)
FB1721	1-400-141-22	FERRITE	0 μ H	\triangle IC7000	6-707-927-01	IC	BD9775FV
FB5201	1-400-794-21	FERRITE	0 μ H	IC7001	6-709-441-01	IC	SI8008TM-TL
FB6000	1-469-100-21	FERRITE	0 μ H	IC7002	6-709-441-01	IC	SI8008TM-TL
FB6001	1-469-100-21	FERRITE	0 μ H	IC7004	6-708-862-01	IC	MM1662FTRE
FB6002	1-469-100-21	FERRITE	0 μ H	IC7005	6-705-469-01	IC	BA50BC0FP-E2
FB6005	1-400-141-22	FERRITE	0 μ H	IC9000	6-704-819-01	IC	CS4335-KSZR
FB7001	1-414-445-11	FERRITE	0 μ H	IC9001	6-704-001-01	IC	BR24L02F-WE2
FB7002	1-414-445-11	FERRITE	0 μ H	IC9002	6-708-758-01	IC	PCA9517DP.118
FB7003	1-414-445-11	FERRITE	0 μ H	* IC9711	6-703-108-01	IC	SN74LVC2G04DCKR
FB7005	1-400-110-21	FERRITE	0 μ H				
						JACK	
FB7006	1-400-110-21	FERRITE	0 μ H	J6000	1-750-925-11	JACK (SMALL) TYPE)	
FB7007	1-400-110-21	FERRITE	0 μ H	J9000	1-820-304-11	PHONE JACK	2P
FB7008	1-400-110-21	FERRITE	0 μ H				
FB7011	1-400-794-21	FERRITE	0 μ H				
FB9000	1-469-094-21	FERRITE	0 μ H			COIL	
				L1002	1-400-794-21	FERRITE	0 μ H
				L5000	1-456-984-11	INDUCTOR	0 μ H
				L5001	1-456-984-11	INDUCTOR	0 μ H
				L5002	1-456-984-11	INDUCTOR	0 μ H
				L5003	1-456-984-11	INDUCTOR	0 μ H
				L5004	1-456-984-11	INDUCTOR	0 μ H
				L5005	1-400-177-21	INDUCTOR	0 μ H
				L5006	1-469-561-21	INDUCTOR	100 μ H
				L5201	1-400-794-21	FERRITE	0 μ H
				L5202	1-412-054-21	INDUCTOR	2.2 μ H
				L5203	1-469-551-21	INDUCTOR	2.2 μ H
				L5205	1-469-551-21	INDUCTOR	2.2 μ H
				L5206	1-469-551-21	INDUCTOR	2.2 μ H
				L5500	1-400-794-21	FERRITE	0 μ H
				L5501	1-400-794-21	FERRITE	0 μ H
				L7000	1-416-740-11	INDUCTOR	10 μ H
				L7001	1-457-041-21	INDUCTOR	10 μ H
				L7002	1-481-081-11	INDUCTOR	47 μ H
				L7003	1-481-080-11	INDUCTOR	22 μ H
				L7004	1-481-083-11	INDUCTOR	22 μ H
				L7005	1-456-786-21	INDUCTOR	47 μ H
				L7006	1-412-056-11	INDUCTOR	4.7 μ H
				L7007	1-416-740-11	INDUCTOR	10 μ H
\triangle IC5000	6-709-582-01	IC	CXD9199GG-D	* L9000	1-813-308-11	INDUCTOR	0 μ H
				* L9001	1-813-308-11	INDUCTOR	0 μ H



NOTE: The components identified by shading and Δ mark are critical for safety. Replace only with part number specified.

NOTE: Les composants identifiés par un trame et une marque Δ sont critiques pour la sécurité. Ne les remplacer que par une pièce portant le numéro spécifié.

REF. NO.	PART NO.	DESCRIPTION	VALUES	REF. NO.	PART NO.	DESCRIPTION	VALUES
* L9002	1-813-308-11	INDUCTOR	0 μ H	RESISTOR			
* L9003	1-813-308-11	INDUCTOR	0 μ H	R1001	1-216-864-11	SHORT CHIP	
L9004	1-469-555-21	INDUCTOR	10 μ H	R1002	1-218-990-81	SHORT CHIP	
L9005	1-469-555-21	INDUCTOR	10 μ H	R1005	1-208-683-11	METAL CHIP	1K 0.50% 1/16W
IC LINK				R1007	1-216-864-11	SHORT CHIP	
PS6000	1-576-122-21	IC LINK	0.4A 72V	R1010	1-218-990-81	SHORT CHIP	
Δ PS7000	1-576-603-21	FUSE	3.15A 24V	R1011	1-216-864-11	SHORT CHIP	
TRANSISTOR				R1012	1-216-864-11	SHORT CHIP	
Q1001	6-551-387-01	TRANSISTOR	SSM6N16FU	R1013	1-216-801-11	METAL CHIP	22 5% 1/10W
Q1002	8-729-029-00	TRANSISTOR	DTC115EUA-T106	R1014	1-216-801-11	METAL CHIP	22 5% 1/10W
Q1003	8-729-028-74	TRANSISTOR	DTA114TUA-T106	R1015	1-216-864-11	SHORT CHIP	
Q1004	8-729-013-28	TRANSISTOR	HN1B01FU-TE85R	R1016	1-216-801-11	METAL CHIP	22 5% 1/10W
Q1005	8-729-028-74	TRANSISTOR	DTA114TUA-T106	R1017	1-216-801-11	METAL CHIP	22 5% 1/10W
Q1006	8-729-029-04	TRANSISTOR	DTC123JUA-T106	R1018	1-216-864-11	SHORT CHIP	
Q1007	8-729-028-96	TRANSISTOR	DTC114EUA-T106	R1019	1-216-864-11	SHORT CHIP	
Q5000	8-729-602-36	TRANSISTOR	2SA1602-F	R1021	1-216-801-11	METAL CHIP	22 5% 1/10W
Q5001	8-729-602-36	TRANSISTOR	2SA1602-F	R1022	1-216-801-11	METAL CHIP	22 5% 1/10W
Q6000	8-729-120-28	TRANSISTOR	2SC1623-L5L6	R1023	1-216-801-11	METAL CHIP	22 5% 1/10W
Q6001	8-729-120-28	TRANSISTOR	2SC1623-L5L6	R1024	1-216-801-11	METAL CHIP	22 5% 1/10W
Q7000	8-729-046-04	TRANSISTOR	FDS6690A	R1025	1-216-864-11	SHORT CHIP	
Q7001	6-550-828-01	TRANSISTOR	RSQ035P03TR	R1026	1-216-801-11	METAL CHIP	22 5% 1/10W
Q7005	6-550-851-01	TRANSISTOR	RSS050P03FTB	R1027	1-400-591-22	FERRITE	0 μ H
Q7006	8-729-029-00	TRANSISTOR	DTC115EUA-T106	R1031	1-218-887-11	METAL CHIP	47K 0.50% 1/10W
Q7007	8-729-602-21	TRANSISTOR	2SC4154-F	R1032	1-400-807-21	FERRITE	0 μ H
Q7008	8-729-028-96	TRANSISTOR	DTC114EUA-T106	R1034	1-218-863-11	METAL CHIP	4.7K 0.50% 1/10W
* Q7009	6-550-663-01	TRANSISTOR	RSS100N03TB	R1035	1-216-864-11	SHORT CHIP	
Q7500	8-729-028-96	TRANSISTOR	DTC114EUA-T106	R1036	1-218-965-11	RES-CHIP	10K 5% 1/16W
Q7502	8-729-028-96	TRANSISTOR	DTC114EUA-T106	R1037	1-218-867-11	METAL CHIP	6.8K 0.50% 1/10W
Q7503	8-729-028-96	TRANSISTOR	DTC114EUA-T106	R1038	1-218-965-11	RES-CHIP	10K 5% 1/16W
Q7504	8-729-028-96	TRANSISTOR	DTC114EUA-T106	R1045	1-218-965-11	RES-CHIP	10K 5% 1/16W
Q7505	8-729-028-96	TRANSISTOR	DTC114EUA-T106	R1046	1-218-871-11	METAL CHIP	10K 0.50% 1/10W
Q7506	8-729-028-96	TRANSISTOR	DTC114EUA-T106	R1047	1-218-871-11	METAL CHIP	10K 0.50% 1/10W
Q9000	8-729-028-96	TRANSISTOR	DTC114EUA-T106	R1048	1-218-871-11	METAL CHIP	10K 0.50% 1/10W
Q9001	8-729-025-28	TRANSISTOR	2SK1828	R1049	1-218-965-11	RES-CHIP	10K 5% 1/16W
Q9003	8-729-028-96	TRANSISTOR	DTC114EUA-T106	R1052	1-218-941-81	RES-CHIP	100 5% 1/16W
Q9004	8-729-120-28	TRANSISTOR	2SC1623-L5L6	R1053	1-218-990-81	SHORT CHIP	
Q9005	8-729-120-28	TRANSISTOR	2SC1623-L5L6	R1058	1-218-990-81	SHORT CHIP	
Q9006	8-729-028-96	TRANSISTOR	DTC114EUA-T106	R1061	1-218-965-11	RES-CHIP	10K 5% 1/16W
Q9007	6-551-364-01	TRANSISTOR	DTC614TUT106	R1064	1-218-965-11	RES-CHIP	10K 5% 1/16W
Q9008	6-551-364-01	TRANSISTOR	DTC614TUT106	R1065	1-218-965-11	RES-CHIP	10K 5% 1/16W
Q9009	8-729-600-22	TRANSISTOR	2SA1235-F	R1066	1-218-965-11	RES-CHIP	10K 5% 1/16W
Q9010	8-729-120-28	TRANSISTOR	2SC1623-L5L6	R1070	1-216-864-11	SHORT CHIP	
				R1073	1-218-990-81	SHORT CHIP	



REF. NO.	PART NO.	DESCRIPTION	VALUES			REF. NO.	PART NO.	DESCRIPTION	VALUES		
R1075	1-218-965-11	RES-CHIP	10K	5%	1/16W	R1191	1-218-969-11	RES-CHIP	22K	5%	1/16W
R1076	1-218-965-11	RES-CHIP	10K	5%	1/16W	R1192	1-218-941-81	RES-CHIP	100	5%	1/16W
R1078	1-218-990-81	SHORT CHIP				R1193	1-218-965-11	RES-CHIP	10K	5%	1/16W
R1079	1-400-807-21	FERRITE	0μH			R1195	1-218-990-81	SHORT CHIP			
R1080	1-400-807-21	FERRITE	0μH			R1196	1-218-965-11	RES-CHIP	10K	5%	1/16W
R1081	1-400-807-21	FERRITE	0μH			R1198	1-218-990-81	SHORT CHIP			
R1082	1-400-807-21	FERRITE	0μH			R1199	1-218-941-81	RES-CHIP	100	5%	1/16W
R1083	1-400-807-21	FERRITE	0μH			R1205	1-218-990-81	SHORT CHIP			
R1084	1-400-807-21	FERRITE	0μH			R1206	1-218-965-11	RES-CHIP	10K	5%	1/16W
R1085	1-400-807-21	FERRITE	0μH			R1207	1-218-949-11	RES-CHIP	470	5%	1/16W
R1087	1-216-864-11	SHORT CHIP				R1208	1-218-990-81	SHORT CHIP			
R1101	1-218-959-11	RES-CHIP	3.3K	5%	1/16W	R1209	1-218-990-81	SHORT CHIP			
R1107	1-218-941-81	RES-CHIP	100	5%	1/16W	R1210	1-218-949-11	RES-CHIP	470	5%	1/16W
R1108	1-218-941-81	RES-CHIP	100	5%	1/16W	R1211	1-218-965-11	RES-CHIP	10K	5%	1/16W
R1109	1-218-941-81	RES-CHIP	100	5%	1/16W	R1212	1-218-949-11	RES-CHIP	470	5%	1/16W
R1110	1-218-941-81	RES-CHIP	100	5%	1/16W	R1218	1-218-961-11	RES-CHIP	4.7K	5%	1/16W
R1111	1-218-933-11	RES-CHIP	22	5%	1/16W	R1223	1-218-945-11	RES-CHIP	220	5%	1/16W
R1112	1-218-941-81	RES-CHIP	100	5%	1/16W	R1224	1-218-990-81	SHORT CHIP			
R1113	1-218-933-11	RES-CHIP	22	5%	1/16W	R1225	1-218-937-11	RES-CHIP	47	5%	1/16W
R1115	1-218-941-81	RES-CHIP	100	5%	1/16W	R1226	1-216-813-11	METAL CHIP	220	5%	1/10W
R1116	1-218-990-81	SHORT CHIP				R1227	1-218-937-11	RES-CHIP	47	5%	1/16W
R1117	1-218-941-81	RES-CHIP	100	5%	1/16W	R1235	1-216-864-11	SHORT CHIP			
R1119	1-218-941-81	RES-CHIP	100	5%	1/16W	R1239	1-216-864-11	SHORT CHIP			
R1122	1-216-864-11	SHORT CHIP				R1240	1-216-849-11	METAL CHIP	220K	5%	1/10W
R1123	1-216-864-11	SHORT CHIP				R1242	1-218-941-81	RES-CHIP	100	5%	1/16W
R1124	1-216-864-11	SHORT CHIP				R1243	1-216-809-11	METAL CHIP	100	5%	1/10W
R1125	1-216-864-11	SHORT CHIP				R1246	1-218-965-11	RES-CHIP	10K	5%	1/16W
R1144	1-208-691-11	METAL CHIP	2.2K	0.50%	1/16W	R1247	1-216-864-11	SHORT CHIP			
R1147	1-218-941-81	RES-CHIP	100	5%	1/16W	R1255	1-400-591-22	FERRITE	0μH		
R1158	1-218-941-81	RES-CHIP	100	5%	1/16W	R1256	1-400-591-22	FERRITE	0μH		
R1160	1-218-941-81	RES-CHIP	100	5%	1/16W	R1257	1-400-591-22	FERRITE	0μH		
R1161	1-218-965-11	RES-CHIP	10K	5%	1/16W	R1258	1-400-591-22	FERRITE	0μH		
R1162	1-218-973-11	RES-CHIP	47K	5%	1/16W	R1259	1-400-591-22	FERRITE	0μH		
R1163	1-218-941-81	RES-CHIP	100	5%	1/16W	R1260	1-400-591-22	FERRITE	0μH		
R1164	1-218-965-11	RES-CHIP	10K	5%	1/16W	R1261	1-400-591-22	FERRITE	0μH		
R1165	1-218-965-11	RES-CHIP	10K	5%	1/16W	R1262	1-400-591-22	FERRITE	0μH		
R1167	1-218-965-11	RES-CHIP	10K	5%	1/16W	R1263	1-400-591-22	FERRITE	0μH		
R1168	1-218-965-11	RES-CHIP	10K	5%	1/16W	R1264	1-400-591-22	FERRITE	0μH		
R1169	1-216-864-11	SHORT CHIP				R1265	1-400-591-22	FERRITE	0μH		
R1170	1-400-794-21	FERRITE	0μH			R1266	1-216-864-11	SHORT CHIP			
R1180	1-218-965-11	RES-CHIP	10K	5%	1/16W	R1267	1-400-591-22	FERRITE	0μH		
R1186	1-218-990-81	SHORT CHIP				R1270	1-218-941-81	RES-CHIP	100	5%	1/16W
R1188	1-218-990-81	SHORT CHIP				R1290	1-218-990-81	SHORT CHIP			
R1190	1-208-886-81	METAL CHIP	910	0.50%	1/16W	R1295	1-208-721-11	METAL CHIP	39K	0.50%	1/16W



REF. NO.	PART NO.	DESCRIPTION	VALUES			REF. NO.	PART NO.	DESCRIPTION	VALUES		
R1701	1-216-848-11	METAL CHIP	180K	5%	1/10W	R5218	1-216-864-11	SHORT CHIP			
R1702	1-216-809-11	METAL CHIP	100	5%	1/10W	R5221	1-216-864-11	SHORT CHIP			
R1707	1-218-990-81	SHORT CHIP				R5222	1-216-864-11	SHORT CHIP			
R1708	1-218-990-81	SHORT CHIP				R5223	1-218-965-11	RES-CHIP	10K	5%	1/16W
R1709	1-218-965-11	RES-CHIP	10K	5%	1/16W	R5224	1-218-990-81	SHORT CHIP			
R1710	1-218-965-11	RES-CHIP	10K	5%	1/16W	R5225	1-218-965-11	RES-CHIP	10K	5%	1/16W
R1711	1-218-983-11	RES-CHIP	330K	5%	1/16W	R5226	1-218-965-11	RES-CHIP	10K	5%	1/16W
R4711	1-218-937-11	RES-CHIP	47	5%	1/16W	R5500	1-400-794-21	FERRITE	0μH		
R4712	1-218-937-11	RES-CHIP	47	5%	1/16W	R5503	1-218-847-11	METAL CHIP	1K	0.50%	1/10W
R4713	1-218-933-11	RES-CHIP	22	5%	1/16W	R5504	1-218-847-11	METAL CHIP	1K	0.50%	1/10W
R4714	1-218-937-11	RES-CHIP	47	5%	1/16W	R5505	1-218-990-81	SHORT CHIP			
R4715	1-216-295-91	SHORT CHIP				R5506	1-211-986-11	METAL CHIP	51	0.50%	1/10W
R5000	1-218-957-11	RES-CHIP	2.2K	5%	1/16W	R5507	1-218-990-81	SHORT CHIP			
R5002	1-218-949-11	RES-CHIP	470	5%	1/16W	R5508	1-218-933-11	RES-CHIP	22	5%	1/16W
R5003	1-218-990-81	SHORT CHIP				R5509	1-211-986-11	METAL CHIP	51	0.50%	1/10W
R5004	1-218-957-11	RES-CHIP	2.2K	5%	1/16W	R5510	1-218-933-11	RES-CHIP	22	5%	1/16W
R5007	1-218-949-11	RES-CHIP	470	5%	1/16W	R5511	1-218-933-11	RES-CHIP	22	5%	1/16W
R5008	1-218-990-81	SHORT CHIP				R5512	1-218-933-11	RES-CHIP	22	5%	1/16W
R5009	1-218-989-11	RES-CHIP	1M	5%	1/16W	R5513	1-218-933-11	RES-CHIP	22	5%	1/16W
R5010	1-218-935-11	RES-CHIP	33	5%	1/16W	R5514	1-218-933-11	RES-CHIP	22	5%	1/16W
R5011	1-218-941-81	RES-CHIP	100	5%	1/16W	R5515	1-218-933-11	RES-CHIP	22	5%	1/16W
R5012	1-218-941-81	RES-CHIP	100	5%	1/16W	R5516	1-218-933-11	RES-CHIP	22	5%	1/16W
R5013	1-218-941-81	RES-CHIP	100	5%	1/16W	R5517	1-218-933-11	RES-CHIP	22	5%	1/16W
R5014	1-218-941-81	RES-CHIP	100	5%	1/16W	R5518	1-218-933-11	RES-CHIP	22	5%	1/16W
R5016	1-218-941-81	RES-CHIP	100	5%	1/16W	R5519	1-218-933-11	RES-CHIP	22	5%	1/16W
R5017	1-218-941-81	RES-CHIP	100	5%	1/16W	R6000	1-216-805-11	METAL CHIP	47	5%	1/10W
R5025	1-218-990-81	SHORT CHIP				R6001	1-216-805-11	METAL CHIP	47	5%	1/10W
R5026	1-216-864-11	SHORT CHIP				R6004	1-216-853-11	METAL CHIP	470K	5%	1/10W
R5027	1-216-864-11	SHORT CHIP				R6005	1-216-853-11	METAL CHIP	470K	5%	1/10W
R5029	1-218-965-11	RES-CHIP	10K	5%	1/16W	R6006	1-216-833-11	METAL CHIP	10K	5%	1/10W
R5031	1-218-941-81	RES-CHIP	100	5%	1/16W	R6007	1-216-821-11	METAL CHIP	1K	5%	1/10W
R5039	1-218-990-81	SHORT CHIP				R6008	1-216-821-11	METAL CHIP	1K	5%	1/10W
R5040	1-218-990-81	SHORT CHIP				R6009	1-216-833-11	METAL CHIP	10K	5%	1/10W
R5042	1-218-961-11	RES-CHIP	4.7K	5%	1/16W	R6010	1-216-805-11	METAL CHIP	47	5%	1/10W
R5043	1-218-961-11	RES-CHIP	4.7K	5%	1/16W	R6011	1-216-805-11	METAL CHIP	47	5%	1/10W
R5044	1-218-961-11	RES-CHIP	4.7K	5%	1/16W	R6012	1-218-827-11	METAL CHIP	150	0.50%	1/10W
R5045	1-218-961-11	RES-CHIP	4.7K	5%	1/16W	R6013	1-218-827-11	METAL CHIP	150	0.50%	1/10W
R5046	1-218-957-11	RES-CHIP	2.2K	5%	1/16W	R6014	1-218-827-11	METAL CHIP	150	0.50%	1/10W
R5047	1-218-957-11	RES-CHIP	2.2K	5%	1/16W	R6015	1-218-827-11	METAL CHIP	150	0.50%	1/10W
R5210	1-218-961-11	RES-CHIP	4.7K	5%	1/16W	R6016	1-216-821-11	METAL CHIP	1K	5%	1/10W
R5211	1-218-990-81	SHORT CHIP				R6017	1-218-827-11	METAL CHIP	150	0.50%	1/10W
R5212	1-218-973-11	RES-CHIP	47K	5%	1/16W	R6018	1-218-827-11	METAL CHIP	150	0.50%	1/10W
R5214	1-218-933-11	RES-CHIP	22	5%	1/16W	R6019	1-216-845-11	METAL CHIP	100K	5%	1/10W
R5215	1-218-933-11	RES-CHIP	22	5%	1/16W	R6021	1-216-801-11	METAL CHIP	22	5%	1/10W



REF. NO.	PART NO.	DESCRIPTION	VALUES			REF. NO.	PART NO.	DESCRIPTION	VALUES		
R6022	1-216-801-11	METAL CHIP	22	5%	1/10W	R7035	1-218-847-11	METAL CHIP	1K	0.50%	1/10W
R6023	1-216-801-11	METAL CHIP	22	5%	1/10W	R7036	1-218-845-11	METAL CHIP	820	0.50%	1/10W
R6029	1-218-933-11	RES-CHIP	22	5%	1/16W	R7040	1-216-295-91	SHORT CHIP			
R6030	1-218-933-11	RES-CHIP	22	5%	1/16W	R7041	1-400-794-21	FERRITE	0μH		
R6037	1-216-864-11	SHORT CHIP				R7045	1-216-295-91	SHORT CHIP			
R6038	1-216-864-11	SHORT CHIP				R7046	1-216-295-91	SHORT CHIP			
R6041	1-216-847-11	METAL CHIP	150K	5%	1/10W	R7048	1-216-295-91	SHORT CHIP			
R6042	1-216-847-11	METAL CHIP	150K	5%	1/10W	R7050	1-216-825-11	METAL CHIP	2.2K	5%	1/10W
R6043	1-216-847-11	METAL CHIP	150K	5%	1/10W	R7051	1-218-839-11	METAL CHIP	470	0.50%	1/10W
R6044	1-216-847-11	METAL CHIP	150K	5%	1/10W	R7053	1-218-859-11	METAL CHIP	3.3K	0.50%	1/10W
R6045	1-216-821-11	METAL CHIP	1K	5%	1/10W	R7054	1-218-859-11	METAL CHIP	3.3K	0.50%	1/10W
R6046	1-216-821-11	METAL CHIP	1K	5%	1/10W	R7055	1-218-867-11	METAL CHIP	6.8K	0.50%	1/10W
R7000	1-218-871-11	METAL CHIP	10K	0.50%	1/10W	R7056	1-218-867-11	METAL CHIP	6.8K	0.50%	1/10W
R7001	1-218-877-11	METAL CHIP	18K	0.50%	1/10W	R7057	1-216-843-11	METAL CHIP	68K	5%	1/10W
R7002	1-218-867-11	METAL CHIP	6.8K	0.50%	1/10W	R7058	1-216-851-11	METAL CHIP	330K	5%	1/10W
R7003	1-218-867-11	METAL CHIP	6.8K	0.50%	1/10W	R7060	1-216-833-11	METAL CHIP	10K	5%	1/10W
R7004	1-216-841-11	METAL CHIP	47K	5%	1/10W	R7063	1-216-833-11	METAL CHIP	10K	5%	1/10W
R7005	1-218-863-11	METAL CHIP	4.7K	0.50%	1/10W	R7064	1-216-864-11	SHORT CHIP			
R7006	1-218-891-11	METAL CHIP	68K	0.50%	1/10W	R7066	1-216-835-11	METAL CHIP	15K	5%	1/10W
R7007	1-218-881-11	METAL CHIP	27K	0.50%	1/10W	R7067	1-218-879-11	METAL CHIP	22K	0.50%	1/10W
R7008	1-218-891-11	METAL CHIP	68K	0.50%	1/10W	R7080	1-400-591-22	FERRITE	0μH		
R7009	1-216-841-11	METAL CHIP	47K	5%	1/10W	R7081	1-400-591-22	FERRITE	0μH		
R7010	1-218-875-11	METAL CHIP	15K	0.50%	1/10W	R7082	1-400-591-22	FERRITE	0μH		
R7011	1-218-879-11	METAL CHIP	22K	0.50%	1/10W	R7083	1-400-591-22	FERRITE	0μH		
R7012	1-216-835-11	METAL CHIP	15K	5%	1/10W	R7506	1-218-867-11	METAL CHIP	6.8K	0.50%	1/10W
R7013	1-218-882-11	METAL CHIP	30K	0.50%	1/10W	R7507	1-218-867-11	METAL CHIP	6.8K	0.50%	1/10W
R7014	1-216-809-11	METAL CHIP	100	5%	1/10W	R7510	1-216-864-11	SHORT CHIP			
R7015	1-216-809-11	METAL CHIP	100	5%	1/10W	R7515	1-216-845-11	METAL CHIP	100K	5%	1/10W
R7016	1-216-821-11	METAL CHIP	1K	5%	1/10W	R7516	1-216-840-11	METAL CHIP	39K	5%	1/10W
R7017	1-216-815-11	METAL CHIP	330	5%	1/10W	R7517	1-216-845-11	METAL CHIP	100K	5%	1/10W
R7019	1-216-835-11	METAL CHIP	15K	5%	1/10W	R7518	1-216-847-11	METAL CHIP	150K	5%	1/10W
R7020	1-216-864-11	SHORT CHIP				R7542	1-218-965-11	RES-CHIP	10K	5%	1/16W
R7021	1-216-837-11	METAL CHIP	22K	5%	1/10W	R7543	1-218-965-11	RES-CHIP	10K	5%	1/16W
R7022	1-216-864-11	SHORT CHIP				R7544	1-218-965-11	RES-CHIP	10K	5%	1/16W
R7023	1-216-864-11	SHORT CHIP				R7545	1-218-977-11	RES-CHIP	100K	5%	1/16W
R7024	1-216-837-11	METAL CHIP	22K	5%	1/10W	R7546	1-218-965-11	RES-CHIP	10K	5%	1/16W
R7025	1-216-864-11	SHORT CHIP				R9001	1-216-805-11	METAL CHIP	47	5%	1/10W
R7026	1-216-864-11	SHORT CHIP				R9002	1-216-805-11	METAL CHIP	47	5%	1/10W
R7027	1-216-821-11	METAL CHIP	1K	5%	1/10W	R9003	1-216-805-11	METAL CHIP	47	5%	1/10W
R7028	1-216-821-11	METAL CHIP	1K	5%	1/10W	R9004	1-216-805-11	METAL CHIP	47	5%	1/10W
R7029	1-216-841-11	METAL CHIP	47K	5%	1/10W	R9005	1-218-929-11	RES-CHIP	10	5%	1/16W
R7030	1-216-841-11	METAL CHIP	47K	5%	1/10W	R9006	1-208-683-11	METAL CHIP	1K	0.50%	1/16W
R7031	1-218-855-11	METAL CHIP	2.2K	0.50%	1/10W	R9007	1-218-990-81	SHORT CHIP			
R7032	1-218-843-11	METAL CHIP	680	0.50%	1/10W	R9008	1-218-990-81	SHORT CHIP			



REF. NO.	PART NO.	DESCRIPTION	VALUES			REF. NO.	PART NO.	DESCRIPTION	VALUES		
R9009	1-218-990-81	SHORT CHIP				R9076	1-218-973-11	RES-CHIP	47K	5%	1/16W
R9010	1-216-864-11	SHORT CHIP				R9944	1-216-295-91	SHORT CHIP			
R9011	1-216-853-11	METAL CHIP	470K	5%	1/10W			RESISTOR BRIDGE			
R9012	1-216-853-11	METAL CHIP	470K	5%	1/10W						
R9013	1-208-911-11	METAL CHIP	10K	0.50%	1/16W						
R9014	1-216-864-11	SHORT CHIP				RB1004	1-234-372-11	RES, NETWORK 100	(1005X4)		
R9015	1-216-821-11	METAL CHIP	1K	5%	1/10W	RB1005	1-234-372-11	RES, NETWORK 100	(1005X4)		
R9016	1-216-821-11	METAL CHIP	1K	5%	1/10W	RB1006	1-234-372-11	RES, NETWORK 100	(1005X4)		
R9017	1-218-941-81	RES-CHIP	100	5%	1/16W	RB1007	1-234-378-21	RES, NETWORK 10K	(1005X4)		
R9018	1-218-941-81	RES-CHIP	100	5%	1/16W	RB1008	1-234-378-21	RES, NETWORK 10K	(1005X4)		
R9019	1-218-961-11	RES-CHIP	4.7K	5%	1/16W	RB5002	1-234-370-21	RES, NETWORK 22	(1005X4)		
R9020	1-218-961-11	RES-CHIP	4.7K	5%	1/16W	RB5003	1-234-370-21	RES, NETWORK 22	(1005X4)		
R9022	1-218-973-11	RES-CHIP	47K	5%	1/16W	RB5004	1-234-370-21	RES, NETWORK 22	(1005X4)		
R9025	1-218-941-81	RES-CHIP	100	5%	1/16W	RB5005	1-234-370-21	RES, NETWORK 22	(1005X4)		
R9031	1-218-929-11	RES-CHIP	10	5%	1/16W	RB5201	1-234-372-11	RES, NETWORK 100	(1005X4)		
R9032	1-218-929-11	RES-CHIP	10	5%	1/16W	RB5202	1-234-372-11	RES, NETWORK 100	(1005X4)		
R9033	1-218-929-11	RES-CHIP	10	5%	1/16W	RB5203	1-234-372-11	RES, NETWORK 100	(1005X4)		
R9034	1-218-929-11	RES-CHIP	10	5%	1/16W	RB5500	1-234-370-21	RES, NETWORK 22	(1005X4)		
R9035	1-218-929-11	RES-CHIP	10	5%	1/16W	RB5501	1-234-370-21	RES, NETWORK 22	(1005X4)		
R9036	1-218-929-11	RES-CHIP	10	5%	1/16W	RB5502	1-234-370-21	RES, NETWORK 22	(1005X4)		
R9037	1-218-929-11	RES-CHIP	10	5%	1/16W	RB5503	1-234-370-21	RES, NETWORK 22	(1005X4)		
R9038	1-218-929-11	RES-CHIP	10	5%	1/16W	RB5504	1-234-370-21	RES, NETWORK 22	(1005X4)		
R9040	1-218-965-11	RES-CHIP	10K	5%	1/16W	RB5505	1-234-370-21	RES, NETWORK 22	(1005X4)		
R9041	1-218-965-11	RES-CHIP	10K	5%	1/16W	RB5506	1-234-370-21	RES, NETWORK 22	(1005X4)		
R9044	1-218-937-11	RES-CHIP	47	5%	1/16W	RB5507	1-234-370-21	RES, NETWORK 22	(1005X4)		
R9045	1-218-937-11	RES-CHIP	47	5%	1/16W	RB5508	1-234-370-21	RES, NETWORK 22	(1005X4)		
R9046	1-218-937-11	RES-CHIP	47	5%	1/16W	RB5509	1-234-370-21	RES, NETWORK 22	(1005X4)		
R9047	1-216-295-91	SHORT CHIP				RB5510	1-234-370-21	RES, NETWORK 22	(1005X4)		
R9048	1-218-937-11	RES-CHIP	47	5%	1/16W	RB5511	1-234-370-21	RES, NETWORK 22	(1005X4)		
R9051	1-218-937-11	RES-CHIP	47	5%	1/16W			VARISTOR			
R9060	1-218-957-11	RES-CHIP	2.2K	5%	1/16W	VD6000	1-802-078-11	VARISTOR	(SMD)		
R9061	1-218-957-11	RES-CHIP	2.2K	5%	1/16W	VD6001	1-802-078-11	VARISTOR	(SMD)		
R9062	1-216-847-11	METAL CHIP	150K	5%	1/10W	VD6002	1-802-078-11	VARISTOR	(SMD)		
R9063	1-216-847-11	METAL CHIP	150K	5%	1/10W	VD6003	1-802-078-11	VARISTOR	(SMD)		
R9064	1-216-821-11	METAL CHIP	1K	5%	1/10W	VD6004	1-802-078-11	VARISTOR	(SMD)		
R9065	1-216-847-11	METAL CHIP	150K	5%	1/10W	VD6005	1-802-078-11	VARISTOR	(SMD)		
R9066	1-216-847-11	METAL CHIP	150K	5%	1/10W	VD6006	1-802-078-11	VARISTOR	(SMD)		
R9067	1-216-821-11	METAL CHIP	1K	5%	1/10W	VD9001	1-802-078-11	VARISTOR	(SMD)		
R9070	1-218-953-11	RES-CHIP	1K	5%	1/16W	VD9002	1-802-078-11	VARISTOR	(SMD)		
R9071	1-218-973-11	RES-CHIP	47K	5%	1/16W	VD9003	6-500-701-01	DIODE	PGB1010603NR		
R9072	1-218-973-11	RES-CHIP	47K	5%	1/16W	VD9004	6-500-701-01	DIODE	PGB1010603NR		
R9073	1-218-973-11	RES-CHIP	47K	5%	1/16W	VD9005	6-500-701-01	DIODE	PGB1010603NR		
R9074	1-218-969-11	RES-CHIP	22K	5%	1/16W	VD9006	6-500-701-01	DIODE	PGB1010603NR		
R9075	1-218-989-11	RES-CHIP	1M	5%	1/16W	VD9007	6-500-701-01	DIODE	PGB1010603NR		
						VD9008	6-500-701-01	DIODE	PGB1010603NR		

NOTE: The components identified by shading and \triangle mark are critical for safety. Replace only with part number specified.

NOTE: Les composants identifiés par un trame et une marque \triangle sont critiques pour la sécurité. Ne les remplacer que par une pièce portant le numéro spécifié.



REF. NO.	PART NO.	DESCRIPTION	VALUES	REF. NO.	PART NO.	DESCRIPTION	VALUES
VD9010	6-500-701-01	DIODE	PGB1010603NR	C6105	1-107-906-11	ELECT	10μF 20% 50V
VD9011	6-500-701-01	DIODE	PGB1010603NR	C6108	1-115-340-11	CERAMIC CHIP	0.22μF 10% 25V
VD9012	6-500-701-01	DIODE	PGB1010603NR	C6109	1-107-888-11	ELECT	47μF 20% 25V
VD9013	6-500-701-01	DIODE	PGB1010603NR	C6111	1-100-613-81	CERAMIC	470pF 5% 1KV
				C6112	1-100-310-11	FILM	18000pF 3% 800V
CRYSTAL							
X1001	1-813-070-21	PIEZOELECTRIC OSCILLATOR		C6116	1-163-021-91	CERAMIC CHIP	0.01μF 10% 50V
X1009	1-813-784-21	VIBRATOR, CRYSTAL		C6200	1-164-227-11	CERAMIC CHIP	0.022μF 10% 25V
X5000	1-813-773-11	VIBRATOR, CRYSTAL		C6202	1-112-242-21	ELECT	1500μF 20% 25V
				C6203	1-107-907-11	ELECT	22μF 20% 50V
				C6204	1-112-242-21	ELECT	1500μF 20% 25V
				C6205	1-112-242-21	ELECT	1500μF 20% 25V
				C6207	1-112-242-21	ELECT	1500μF 20% 25V
				C6216	1-107-928-11	ELECT	4.7μF 20% 100V
				C6217	1-112-229-21	ELECT	1500μF 20% 16V
				C6305	1-107-826-11	CERAMIC CHIP	0.1μF 10% 16V
				C6306	1-162-927-11	CERAMIC CHIP	100pF 5% 50V
				C6307	1-107-903-11	ELECT	2.2μF 20% 50V
				C6308	1-107-904-11	ELECT	3.3μF 20% 50V
				C6309	1-107-910-11	ELECT	100μF 20% 50V
				C6310	1-100-139-31	FILM	0.001μF 5% 630V
				C6314	1-162-964-11	CERAMIC CHIP	0.001μF 10% 50V
				C6315	1-165-729-31	ELECT	470μF 20% 16V
				C6316	1-107-826-11	CERAMIC CHIP	0.1μF 10% 16V
				C6401	1-107-882-91	ELECT	100μF 20% 16V
				C6402	1-127-573-11	CERAMIC CHIP	1μF 10% 16V
				C6404	1-107-826-11	CERAMIC CHIP	0.1μF 10% 16V
				C6405	1-115-339-11	CERAMIC CHIP	0.1μF 10% 50V
				C6406	1-162-964-11	CERAMIC CHIP	0.001μF 10% 50V
				C6407	1-162-970-11	CERAMIC CHIP	0.01μF 10% 25V
				C6408	1-125-891-11	CERAMIC CHIP	0.47μF 10% 10V
				C6412	1-125-891-11	CERAMIC CHIP	0.47μF 10% 10V
				C6413	1-162-964-11	CERAMIC CHIP	0.001μF 10% 50V
				C6451	1-107-826-11	CERAMIC CHIP	0.1μF 10% 16V
				C6504	1-100-613-81	CERAMIC	470pF 5% 1KV
				C6505	1-100-613-81	CERAMIC	470pF 5% 1KV
				C6517	1-117-227-11	MYLAR	1μF 10% 450V
				C6518	1-112-744-52	MYLAR	1μF 10% 450V
				C6519	1-162-969-11	CERAMIC CHIP	0.0068μF 10% 25V
				C6520	1-117-227-11	MYLAR	1μF 10% 450V
				C6521	1-107-823-11	CERAMIC CHIP	0.47μF 10% 16V
				C6522	1-162-964-11	CERAMIC CHIP	0.001μF 10% 50V
				C6523	1-162-970-11	CERAMIC CHIP	0.01μF 10% 25V
				C6525	1-115-339-11	CERAMIC CHIP	0.1μF 10% 50V
				C6526	1-107-906-11	ELECT	10μF 20% 50V



\triangle **1-468-980-11 G1 BOARD, COMPLETE (POWER UNIT) (KDL-26S2000/32S2000 ONLY)**

Due to the complexity of this board, performing component level field repairs is not recommended. If service is required, complete board replacement is required.



A-1169-591-C G2 BOARD, COMPLETE (KDL-40S2000 ONLY)

4-382-854-11 SCREW (M3X10), P, SW (+)

WIRE PIN

* A6012 4-042-408-02 PIN(45), WIRE
 * A6013 4-042-408-02 PIN(45), WIRE

CAPACITOR

C6000	1-161-964-91	CERAMIC	0.0047μF	250V
C6001	1-119-892-51	CERAMIC	470pF	10% 250V
C6002	1-165-531-11	MYLAR	1μF	10 275V
C6003	1-161-964-91	CERAMIC	0.0047μF	250V
C6004	1-165-529-11	MYLAR	0.22μF	10 275V
C6005	1-119-892-51	CERAMIC	470pF	10% 250V
C6006	1-135-361-11	ELECT(BLOCK)	180μF	20% 450V
C6008	1-135-361-11	ELECT(BLOCK)	180μF	20% 450V
C6010	1-113-889-11	CERAMIC	0.001μF	20% 250V
C6012	1-113-889-11	CERAMIC	0.001μF	20% 250V
C6015	1-119-891-51	CERAMIC	220pF	10% 250V
C6016	1-119-891-51	CERAMIC	220pF	10% 250V
C6051	1-162-970-11	CERAMIC CHIP	0.01μF	10% 25V
C6100	1-162-970-11	CERAMIC CHIP	0.01μF	10% 25V
C6101	1-107-905-11	ELECT	4.7μF	20% 50V
C6102	1-107-910-11	ELECT	100μF	20% 50V
C6103	1-162-970-11	CERAMIC CHIP	0.01μF	10% 25V
C6104	1-100-831-91	CERAMIC CHIP	0.001μF	2% 50V



NOTE: The components identified by shading and \triangle mark are critical for safety. Replace only with part number specified.

NOTE: Les composants identifiés par un trame et une marque \triangle sont critiques pour la sécurité. Ne les remplacer que par une pièce portant le numéro spécifié.

REF. NO.	PART NO.	DESCRIPTION	VALUES	REF. NO.	PART NO.	DESCRIPTION	VALUES
CONNECTOR							
CN6000	1-695-915-11	TAB (CONTACT)		D6509	6-500-108-01	DIODE	EP05FA20
\triangle CN6001	1-793-660-11	PIN, CONNECTOR (PC BOARD)	3P	D6510	6-500-137-01	DIODE	BAT54HT1
CN6011	1-537-770-21	TERMINAL BOARD, GROUND		D6511	8-719-081-97	DIODE	MMDL914T1
CN6211	1-537-770-21	TERMINAL BOARD, GROUND		D6512	8-719-081-97	DIODE	MMDL914T1
CN6214	1-537-770-21	TERMINAL BOARD, GROUND		D6551	8-719-081-97	DIODE	MMDL914T1
CN6216	1-537-770-21	TERMINAL BOARD, GROUND					
DIODE				FUSE			
D6000	8-719-054-89	DIODE	D15XB60	\triangle F6000	1-576-233-51	FUSE	6.3A 250V
D6002	8-719-081-97	DIODE	MMDL914T1	FERRITE BEAD			
D6003	8-719-081-97	DIODE	MMDL914T1	FB6100	1-410-396-41	FERRITE	0.45 μ H
D6102	6-500-137-01	DIODE	BAT54HT1	FB6101	1-410-396-41	FERRITE	0.45 μ H
D6103	8-719-979-64	DIODE	UF4005/23	FUSE HOLDER			
D6104	6-501-043-01	DIODE	UMZ16NT106	\triangle FH6000	1-533-223-11	FUSE HOLDER	0A 0V
\triangle D6105	6-501-043-01	DIODE	UMZ16NT106	\triangle FH6001	1-533-223-11	FUSE HOLDER	0A 0V
D6106	8-719-081-67	DIODE	M1FM3	IC			
\triangle D6107	8-719-081-67	DIODE	M1FM3	\triangle IC6100	6-709-581-01	IC	CXD9841M-H
D6108	8-719-041-97	DIODE	MA113-(TX)	IC6200	6-709-368-01	IC	MM1431ATT (CN)
D6200	8-719-057-96	DIODE	D10SC6M-4012	\triangle IC6301	6-708-801-01	IC	MIP2H2
D6201	8-719-057-96	DIODE	D10SC6M-4012	IC6302	6-709-442-01	IC	MM1530ATT
D6202	8-719-057-96	DIODE	D10SC6M-4012	IC6401	6-709-368-01	IC	MM1431ATT (CN)
D6203	8-719-057-96	DIODE	D10SC6M-4012	IC6402	6-709-368-01	IC	MM1431ATT (CN)
D6204	6-500-567-31	DIODE	10ERB20-TB3	\triangle IC6502	6-709-192-01	IC	FA5501AN-D1-TE1
D6205	6-500-567-31	DIODE	10ERB20-TB3	CHIP CONDUCTOR			
D6207	8-719-057-96	DIODE	D10SC6M-4012	JR6001	1-216-295-91	SHORT CHIP	
D6208	8-719-057-96	DIODE	D10SC6M-4012	JR6002	1-216-296-11	SHORT CHIP	
D6302	6-500-567-31	DIODE	10ERB20-TB3	JR6003	1-216-295-91	SHORT CHIP	
D6303	6-500-567-31	DIODE	10ERB20-TB3	JR6004	1-216-295-91	SHORT CHIP	
D6304	6-500-849-01	DIODE	ERA22-08KFLB	JR6007	1-216-296-11	SHORT CHIP	
D6305	6-500-567-31	DIODE	10ERB20-TB3	JR6008	1-216-296-11	SHORT CHIP	
D6306	8-719-510-02	DIODE	D1NS4	JR6009	1-216-296-11	SHORT CHIP	
D6401	8-719-081-97	DIODE	MMDL914T1	JR6010	1-216-296-11	SHORT CHIP	
D6402	8-719-081-97	DIODE	MMDL914T1	JR6011	1-216-295-91	SHORT CHIP	
D6407	8-719-082-04	DIODE	MM3Z22VT1	JR6012	1-216-295-91	SHORT CHIP	
D6408	8-719-081-97	DIODE	MMDL914T1	JR6013	1-216-295-91	SHORT CHIP	
D6452	8-719-081-97	DIODE	MMDL914T1	COIL			
D6454	1-125-889-91	CERAMIC CHIP	2.2 μ F 10% 10V	L6000	1-456-856-21	LINE FILTER COIL	
D6456	8-719-081-97	DIODE	MMDL914T1	L6001	1-456-856-21	LINE FILTER COIL	
D6504	1-216-295-91	SHORT CHIP		L6203	1-414-487-41	INDUCTOR	1 μ H
D6505	8-719-976-99	DIODE	DTZ5.1B				
D6506	8-719-054-59	DIODE	FSF05A60				
D6507	8-719-081-97	DIODE	MMDL914T1				
D6508	6-500-108-01	DIODE	EP05FA20				



NOTE: The components identified by shading and Δ mark are critical for safety. Replace only with part number specified.

NOTE: Les composants identifiés par un trame et une marque Δ sont critiques pour la sécurité. Ne les remplacer que par une pièce portant le numéro spécifié.

REF. NO.	PART NO.	DESCRIPTION	VALUES	REF. NO.	PART NO.	DESCRIPTION	VALUES
L6204	1-414-487-41	INDUCTOR	1 μ H	R6109	1-218-761-11	METAL CHIP	240K 0.50% 1/10W
L6207	1-457-239-11	INDUCTOR	4.7 μ H	R6110	1-218-881-11	METAL CHIP	27K 0.50% 1/10W
L6208	1-457-239-11	INDUCTOR	4.7 μ H	R6111	1-218-873-11	METAL CHIP	12K 0.50% 1/10W
L6300	1-414-934-21	INDUCTOR	10 μ H	R6114	1-211-985-11	METAL CHIP	47 0.50% 1/10W
L6500	1-457-218-11	INDUCTOR	100 μ H	R6116	1-216-009-91	RES-CHIP	22 5% 1/10W
L6502	1-457-141-11	INDUCTOR	175 μ H				
PHOTO COUPLER							
PH6000	6-600-187-01	PHOTO COUPLER	PC123Y22JOOF	R6117	1-216-009-91	RES-CHIP	22 5% 1/10W
PH6100	6-600-187-01	PHOTO COUPLER	PC123Y22JOOF	R6118	1-216-833-11	METAL CHIP	10K 5% 1/10W
PH6301	6-600-187-01	PHOTO COUPLER	PC123Y22JOOF	R6119	1-216-833-11	METAL CHIP	10K 5% 1/10W
PH6400	6-600-187-01	PHOTO COUPLER	PC123Y22JOOF	R6121	1-216-361-00	METAL OXIDE	0.22 5% 2W
PH6402	6-600-187-01	PHOTO COUPLER	PC123Y22JOOF	R6122	1-216-361-00	METAL OXIDE	0.22 5% 2W
TRANSISTOR							
Q6051	8-729-045-62	TRANSISTOR	2SK2158-T2B	R6123	1-218-847-11	METAL CHIP	1K 0.50% 1/10W
Δ Q6100	6-551-297-01	TRANSISTOR	2SK3568(LBS1SONY.Q	R6127	1-216-857-11	METAL CHIP	1M 5% 1/10W
Δ Q6101	6-551-297-01	TRANSISTOR	2SK3568(LBS1SONY.Q	R6200	1-216-821-11	METAL CHIP	1K 5% 1/10W
Q6400	8-729-804-41	TRANSISTOR	2SB1122-S	R6201	1-216-821-11	METAL CHIP	1K 5% 1/10W
Q6401	8-729-120-28	TRANSISTOR	2SC1623-L5L6	R6202	1-216-105-91	RES-CHIP	220K 5% 1/10W
Q6402	8-729-045-62	TRANSISTOR	2SK2158-T2B	R6203	1-216-829-11	METAL CHIP	4.7K 5% 1/10W
Q6403	8-729-026-49	TRANSISTOR	2SA1037AK-T146-R	R6204	1-218-843-11	METAL CHIP	680 0.50% 1/10W
Q6404	8-729-120-28	TRANSISTOR	2SC1623-L5L6	R6205	1-218-865-11	METAL CHIP	5.6K 0.50% 1/10W
Q6405	8-729-120-28	TRANSISTOR	2SC1623-L5L6	R6207	1-218-847-11	METAL CHIP	1K 0.50% 1/10W
Q6406	8-729-120-28	TRANSISTOR	2SC1623-L5L6	Δ R6208	1-249-377-11	CARBON	0.47 5% 1/4W
Q6454	8-729-026-49	TRANSISTOR	2SA1037AK-T146-R	R6226	1-249-389-11	CARBON	4.7 5% 1/4W
Q6455	8-729-120-28	TRANSISTOR	2SC1623-L5L6	Δ R6300	1-212-958-00	FUSIBLE	10 5% 1/2W
Δ Q6500	6-551-403-01	TRANSISTOR	2SK3797(LBS1SONY.	R6301	1-243-725-71	METAL OXIDE	100K 5% 1W
Q6501	8-729-820-90	TRANSISTOR	2SD1621-ST	R6302	1-218-865-11	METAL CHIP	5.6K 0.50% 1/10W
Q6502	8-729-804-41	TRANSISTOR	2SB1122-S	R6303	1-249-385-11	CARBON	2.2 5% 1/4W
Δ Q6504	6-551-403-01	TRANSISTOR	2SK3797(LBS1SONY.	R6304	1-216-821-11	METAL CHIP	1K 5% 1/10W
RESISTOR				R6305	1-216-827-11	METAL CHIP	3.3K 5% 1/10W
Δ R6002	1-240-251-11	METAL	6.8 5% 10W	R6306	1-216-805-11	METAL CHIP	47 5% 1/10W
R6003	1-247-752-11	CARBON	1K 5% 1/2W	R6307	1-218-887-11	METAL CHIP	47K 0.50% 1/10W
R6004	1-218-835-11	METAL CHIP	330 0.50% 1/10W	R6308	1-218-871-11	METAL CHIP	10K 0.50% 1/10W
R6051	1-216-821-11	METAL CHIP	1K 5% 1/10W	R6309	1-218-867-11	METAL CHIP	6.8K 0.50% 1/10W
R6052	1-216-837-11	METAL CHIP	22K 5% 1/10W	R6400	1-216-833-11	METAL CHIP	10K 5% 1/10W
R6101	1-249-385-11	CARBON	2.2 5% 1/4W	R6401	1-218-863-11	METAL CHIP	4.7K 0.50% 1/10W
Δ R6102	1-202-933-61	FUSIBLE	0.1 10% 1/2W	R6402	1-216-833-11	METAL CHIP	10K 5% 1/10W
R6103	1-218-823-11	METAL CHIP	100 0.50% 1/10W	R6403	1-218-887-11	METAL CHIP	47K 0.50% 1/10W
R6104	1-218-887-11	METAL CHIP	47K 0.50% 1/10W	R6405	1-216-829-11	METAL CHIP	4.7K 5% 1/10W
R6105	1-208-854-11	METAL CHIP	1M 0.50% 1/10W	R6407	1-216-837-11	METAL CHIP	22K 5% 1/10W
R6106	1-208-854-11	METAL CHIP	1M 0.50% 1/10W	R6408	1-218-879-11	METAL CHIP	22K 0.50% 1/10W
R6107	1-208-854-11	METAL CHIP	1M 0.50% 1/10W	R6409	1-216-833-11	METAL CHIP	10K 5% 1/10W
R6108	1-208-854-11	METAL CHIP	1M 0.50% 1/10W	R6410	1-216-821-11	METAL CHIP	1K 5% 1/10W
				R6412	1-216-833-11	METAL CHIP	10K 5% 1/10W
				R6413	1-218-863-11	METAL CHIP	4.7K 0.50% 1/10W
				R6417	1-216-821-11	METAL CHIP	1K 5% 1/10W
				R6418	1-216-845-11	METAL CHIP	100K 5% 1/10W



REF. NO.	PART NO.	DESCRIPTION	VALUES			REF. NO.	PART NO.	DESCRIPTION	VALUES		
R6419	1-216-837-11	METAL CHIP	22K	5%	1/10W	R6547	1-208-848-11	METAL CHIP	560K	0.50%	1/10W
R6420	1-216-833-11	METAL CHIP	10K	5%	1/10W	R6548	1-208-846-11	METAL CHIP	470K	0.50%	1/10W
R6436	1-216-829-11	METAL CHIP	4.7K	5%	1/10W	R6549	1-208-844-11	METAL CHIP	390K	0.50%	1/10W
R6437	1-216-821-11	METAL CHIP	1K	5%	1/10W	R6550	1-218-875-11	METAL CHIP	15K	0.50%	1/10W
R6441	1-216-841-11	METAL CHIP	47K	5%	1/10W	R6551	1-249-393-11	CARBON	10	5%	1/4W
R6442	1-216-833-11	METAL CHIP	10K	5%	1/10W	R6552	1-216-809-11	METAL CHIP	100	5%	1/10W
R6443	1-216-833-11	METAL CHIP	10K	5%	1/10W	R6553	1-208-830-11	METAL CHIP	100K	0.50%	1/10W
R6444	1-216-833-11	METAL CHIP	10K	5%	1/10W	R6554	1-218-911-11	METAL CHIP	470K	0.50%	1/10W
R6451	1-216-833-11	METAL CHIP	10K	5%	1/10W	R6555	1-218-887-11	METAL CHIP	47K	0.50%	1/10W
R6452	1-218-847-11	METAL CHIP	1K	0.50%	1/10W	R6557	1-218-851-11	METAL CHIP	1.5K	0.50%	1/10W
R6453	1-216-833-11	METAL CHIP	10K	5%	1/10W	R6560	1-218-911-11	METAL CHIP	470K	0.50%	1/10W
R6454	1-216-829-11	METAL CHIP	4.7K	5%	1/10W	R6562	1-218-760-11	METAL CHIP	220K	0.50%	1/10W
R6455	1-218-903-11	METAL CHIP	220K	0.50%	1/10W	R6563	1-218-760-11	METAL CHIP	220K	0.50%	1/10W
R6456	1-218-859-11	METAL CHIP	3.3K	0.50%	1/10W	R6564	1-218-760-11	METAL CHIP	220K	0.50%	1/10W
R6459	1-218-885-11	METAL CHIP	39K	0.50%	1/10W	R6565	1-218-760-11	METAL CHIP	220K	0.50%	1/10W
R6461	1-216-833-11	METAL CHIP	10K	5%	1/10W	RELAY					
R6462	1-216-833-11	METAL CHIP	10K	5%	1/10W	RY6003	1-755-488-11	RELAY (LKP1AF-18V)			
R6468	1-218-903-11	METAL CHIP	220K	0.50%	1/10W	TRANSFORMER					
R6503	1-215-882-00	METAL OXIDE	22	5%	2W	T6102	1-443-983-11	CONVERTER TRANSFORMER (PIT)			
R6512	1-218-907-11	METAL CHIP	330K	0.50%	1/10W	T6103	1-443-982-11	CONVERTER TRANSFORMER (PIT)			
R6513	1-218-879-11	METAL CHIP	22K	0.50%	1/10W	T6301	1-443-984-11	CONVERTER TRANSFORMER (SBT)			
R6514	1-218-895-11	METAL CHIP	100K	0.50%	1/10W	VARISTOR					
R6515	1-218-823-11	METAL CHIP	100	0.50%	1/10W	VD6000	1-804-996-21	VARISTOR			
R6526	1-211-989-11	METAL CHIP	68	0.50%	1/10W	VD6001	1-804-996-21	VARISTOR			
R6527	1-218-913-91	METAL CHIP	560K	0.50%	1/10W	H1U					
R6528	1-218-879-11	METAL CHIP	22K	0.50%	1/10W	A-1172-589-B H1U BOARD, MOUNTED					
R6529	1-216-864-11	SHORT CHIP				2-663-977-01	BUTTON, MULTI				
R6530	1-219-729-11	METAL	0.33	10%	5W	2-663-978-12	COVER, BUTTON				
R6531	1-219-729-11	METAL	0.33	10%	5W	RESISTOR					
R6532	1-216-864-11	SHORT CHIP				R101	1-218-848-11	METAL CHIP	1.1K	0.50%	1/10W
R6533	1-216-833-11	METAL CHIP	10K	5%	1/10W	R102	1-218-841-11	METAL CHIP	560	0.50%	1/10W
R6534	1-218-823-11	METAL CHIP	100	0.50%	1/10W	R103	1-218-835-11	METAL CHIP	330	0.50%	1/10W
R6535	1-216-833-11	METAL CHIP	10K	5%	1/10W	R104	1-218-831-11	METAL CHIP	220	0.50%	1/10W
R6536	1-218-830-11	METAL CHIP	200	0.50%	1/10W	R105	1-218-827-11	METAL CHIP	150	0.50%	1/10W
R6537	1-249-389-11	CARBON	4.7	5%	1/4W	SWITCH					
R6538	1-249-405-11	CARBON	100	5%	1/4W	S101	1-572-595-11	SWITCH, TACTILE (REFLOW TYPE)			
R6539	1-218-830-11	METAL CHIP	200	0.50%	1/10W	S102	1-572-595-11	SWITCH, TACTILE (REFLOW TYPE)			
R6540	1-249-389-11	CARBON	4.7	5%	1/4W	S103	1-572-595-11	SWITCH, TACTILE (REFLOW TYPE)			
R6541	1-208-818-11	METAL CHIP	33K	0.50%	1/10W	S104	1-572-595-11	SWITCH, TACTILE (REFLOW TYPE)			
R6542	1-208-814-91	METAL CHIP	22K	0.50%	1/10W						
R6543	1-218-830-11	METAL CHIP	200	0.50%	1/10W						
R6544	1-218-830-11	METAL CHIP	200	0.50%	1/10W						
R6545	1-208-848-11	METAL CHIP	560K	0.50%	1/10W						
R6546	1-208-848-11	METAL CHIP	560K	0.50%	1/10W						

H2U H3U

REF. NO.	PART NO.	DESCRIPTION	VALUES		
S105	1-572-595-11	SWITCH, TACTILE (REFLOW TYPE)			
S106	1-572-595-11	SWITCH, TACTILE (REFLOW TYPE)			
S107	1-572-595-11	SWITCH, TACTILE (REFLOW TYPE)			
H2U					
*	A-1152-234-B	H2U BOARD, MOUNTED			
	CAPACITOR				
C203	1-127-573-11	CERAMIC CHIP	1µF	10%	16V
C204	1-127-573-11	CERAMIC CHIP	1µF	10%	16V
C205	1-125-891-11	CERAMIC CHIP	0.47µF	10%	10V
C206	1-125-889-91	CERAMIC CHIP	2.2µF	10%	10V
C207	1-125-889-91	CERAMIC CHIP	2.2µF	10%	10V
C208	1-125-889-91	CERAMIC CHIP	2.2µF	10%	10V
C215	1-115-416-11	CERAMIC CHIP	0.001µF	5%	25V
	CONNECTOR				
CN201	1-820-192-11	HEADER ASSEMBLY (PRINT PWB) 15P			
	DIODE				
D201	8-719-977-28	DIODE	DTZ10B		
D202	8-719-977-28	DIODE	DTZ10B		
D203	8-719-977-28	DIODE	DTZ10B		
D204	8-719-977-28	DIODE	DTZ10B		
D205	8-719-977-28	DIODE	DTZ10B		
D206	8-719-977-28	DIODE	DTZ10B		
	JACK				
J201	1-780-368-11	S TERMINAL BLOCK (RIGHT			
J202	1-568-267-11	JACK			
	RESISTOR				
R202	1-216-864-11	SHORT CHIP			
R203	1-216-853-11	METAL CHIP	470K	5%	1/10W
R204	1-216-853-11	METAL CHIP	470K	5%	1/10W
R205	1-216-864-11	SHORT CHIP			
R206	1-216-864-11	SHORT CHIP			
R207	1-218-831-11	METAL CHIP	220	0.50%	1/10W
R208	1-218-831-11	METAL CHIP	220	0.50%	1/10W
R209	1-218-285-11	METAL CHIP	75	5%	1/10W
R210	1-218-831-11	METAL CHIP	220	0.50%	1/10W
R211	1-218-831-11	METAL CHIP	220	0.50%	1/10W
R212	1-216-864-11	SHORT CHIP			
R213	1-216-821-11	METAL CHIP	1K	5%	1/10W
R214	1-216-821-11	METAL CHIP	1K	5%	1/10W

REF. NO.	PART NO.	DESCRIPTION	VALUES		
R215	1-216-809-11	METAL CHIP	100	5%	1/10W
R216	1-216-809-11	METAL CHIP	100	5%	1/10W
R217	1-216-821-11	METAL CHIP	1K	5%	1/10W
R218	1-216-821-11	METAL CHIP	1K	5%	1/10W
R219	1-216-809-11	METAL CHIP	100	5%	1/10W
R220	1-216-864-11	SHORT CHIP			
R224	1-218-831-11	METAL CHIP	220	0.50%	1/10W
R225	1-218-831-11	METAL CHIP	220	0.50%	1/10W
	VARISTOR				
VD201	1-802-082-11	VARISTOR			(SMD)
VD202	1-802-082-11	VARISTOR			(SMD)
VD203	1-802-082-11	VARISTOR			(SMD)
H3U					
*	A-1172-591-B	H3U BOARD, MOUNTED			
	CAPACITOR				
C302	1-162-960-11	CERAMIC CHIP	220pF	10%	50V
C303	1-119-667-11	CERAMIC CHIP	22µF		10V
C305	1-165-908-11	CERAMIC CHIP	1µF	10%	10V
C307	1-107-826-11	CERAMIC CHIP	0.1µF	10%	16V
C308	1-126-205-11	ELECT CHIP	47µF	20%	6.3V
	CONNECTOR				
CN301	1-820-187-11	HEADER ASSEMBLY (PRINT PWB)10P			
	DIODE				
D302	8-719-085-26	DIODE			CL-165HR/SYG-D-T
D305	8-719-085-26	DIODE			CL-165HR/SYG-D-T
D308	6-500-817-01	DIODE			(LED) SML-512UWT86
	IC				
IC301	6-600-502-01	HIC			GP1UE26RK0VF
IC302	6-600-447-01	IC			TPS853(SONY)
	TRANSISTOR				
Q301	8-729-028-96	TRANSISTOR			DTC114EUA-T106
Q302	8-729-028-96	TRANSISTOR			DTC114EUA-T106
Q303	8-729-028-96	TRANSISTOR			DTC114EUA-T106
Q304	8-729-028-96	TRANSISTOR			DTC114EUA-T106
Q305	8-729-028-96	TRANSISTOR			DTC114EUA-T106
Q306	8-729-602-36	TRANSISTOR			2SA1602-F



REF. NO.	PART NO.	DESCRIPTION	VALUES	REF. NO.	PART NO.	DESCRIPTION	VALUES
RESISTOR							
R301	1-216-819-11	METAL CHIP	680 5% 1/10W				
R302	1-216-815-11	METAL CHIP	330 5% 1/10W				
R303	1-216-819-11	METAL CHIP	680 5% 1/10W				
R304	1-216-815-11	METAL CHIP	330 5% 1/10W				
R305	1-216-823-11	METAL CHIP	1.5K 5% 1/10W				
R306	1-216-817-11	METAL CHIP	470 5% 1/10W				
R307	1-216-805-11	METAL CHIP	47 5% 1/10W				
R309	1-216-839-11	METAL CHIP	33K 5% 1/10W				
R310	1-216-821-11	METAL CHIP	1K 5% 1/10W				
R311	1-216-833-11	METAL CHIP	10K 5% 1/10W				
R313	1-216-849-11	METAL CHIP	220K 5% 1/10W				
R314	1-216-849-11	METAL CHIP	220K 5% 1/10W				
R315	1-216-864-11	SHORT CHIP					
R316	1-216-827-11	METAL CHIP	3.3K 5% 1/10W				

REF. NO.	PART NO.	DESCRIPTION	VALUES	REF. NO.	PART NO.	DESCRIPTION	VALUES
<u>ACCESSORIES AND PACKING</u>				<u>MISCELLANEOUS</u>			
	X-2102-511-1	BAG ASSEMBLY, RUDDER LOCK			2-596-649-01	+KTT 3X10 (S TYPE)	
*	2-629-958-11	BAG, PROTECTION (KDL-26S2000 ONLY)			X-2109-045-1	BRACKET, (A,TU)(UC) ASSEMBLY	
*	2-663-104-01	BOARD, TOP (KDL-40S2000 ONLY)			X-2109-589-1	BRACKET, G1 ASSEMBLY (KDL-26S2000/32S2000 ONLY)	
*	2-664-322-03	BOX,ACCESSORY (KDL-26S2000/32S2000 ONLY)			2-664-617-01	BRACKET, G2 (KDL-40S2000 ONLY)	
	1-831-554-11	CABLE ASSY (15P DSUB CONNECTOR)			4-088-215-01	GASKET (13X13) (KDL-26S2000/32S2000 ONLY)	
	1-765-167-62	CABLE, COAXIAL (WITH (F) PLUG)			1-910-026-27	HARNES ASSEMBLY (1) (KDL-40S2000 ONLY)	
*	2-664-676-01	CUSHION (LOWER) (KDL-26S2000 ONLY)			4-635-966-01	SCREW (HEX)	
*	2-664-321-02	CUSHION (LOWER) (KDL-32S2000 ONLY)			2-674-965-11	SCREW +PSW 3SG (KDL-40S2000 ONLY)	
*	2-663-103-01	CUSHION (LOWER) (KDL-40S2000 ONLY)			2-580-639-01	SCREW, +BVTP2 4X12	
*	2-664-675-02	CUSHION (UPPER) (KDL-26S2000 ONLY)			2-580-602-01	SCREW, +PSW M4X12	
*	2-664-320-01	CUSHION (UPPER) (KDL-32S2000 ONLY)			2-593-320-02	SCREW, CION (M6X18)	
*	2-663-102-01	CUSHION (UPPER) (KDL-40S2000 ONLY)			2-580-663-01	SCREW, WOOD 3.8X20	
	2-671-017-11	GUIDE, QUICK SET UP			2-676-025-01	SCREW,WTP 5X35 (KDL-40S2000 ONLY)	
	2-671-017-21	GUIDE, QUICK SET UP			3-674-673-01	STOPPER (A) (KDL-40S2000 ONLY)	
*	4-067-995-01	HANDLE (E) (KDL-40S2000 ONLY)			<u>REMOTE COMMANDER</u>		
*	2-666-812-01	INDIVIDUAL CARTON (KDL-26S2000 ONLY)			1-479-686-11	REMOTE COMMANDER (RM-YD005)	
*	2-671-170-02	INDIVIDUAL CARTON (KDL-32S2000 ONLY)					
*	2-671-113-01	INDIVIDUAL CARTON (KDL-40S2000 ONLY)					
	2-670-907-12	MANUAL, INSTRUCTION					
	2-670-907-22	MANUAL, INSTRUCTION					
	1-831-499-11	POWER-SUPPLY CORD SET (KDL-26S2000 ONLY)					
	1-831-499-21	POWER-SUPPLY CORD SET (KDL-32S2000 ONLY)					
	1-832-937-11	AC POWER-SUPPLY CORD (KDL-40S2000 ONLY)					
*	2-663-245-01	TRAY (KDL-40S2000 ONLY)					

Sony Corporation
Sony Technology Center
Technical Services
Service Promotion Department

English
2006BJ74WEB-1
Printed in USA
© 2006.2

In an effort to reduce the size of this pdf file the tiled schematics are not attached to this Service Manual. To receive a complete set of the tiled schematics for this manual please submit a request to the Service Promotion Department at Service_Promotion@am.sony.com.