




SEC 1. DISASSEMBLY AND PARTS LIST

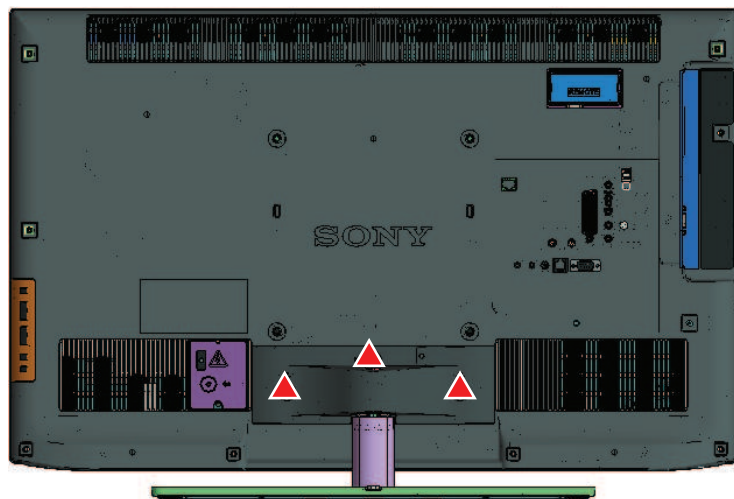
- Items with no part number and no description are not stocked because they are seldom required for routine service.
- The construction parts of an assembled part are indicated with a collation number in the remark column.
- Items marked " * " are not stocked since they are seldom required for routine service. Some delay should be anticipated when ordering these items.
- There are clutch in the yellow frame[]. Therefore please be careful in the case of the disassembly or assembly of parts.

The components identified by shading and mark  are critical for safety. Replace only with part number specified.

The components identified by mark  contain confidential information. Strictly follow the instructions whenever the components are repaired and/or replaced.

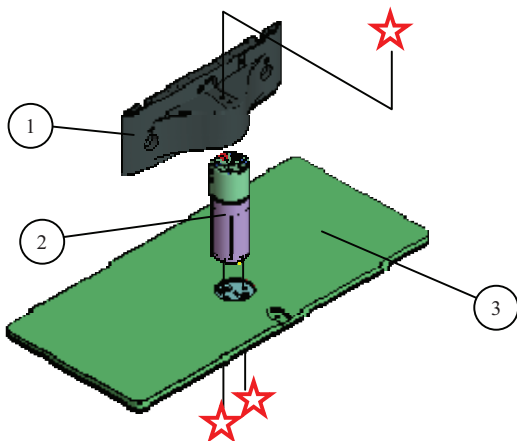
1-1. KDL-32EX421/521

1-1-1. STAND BLOCK



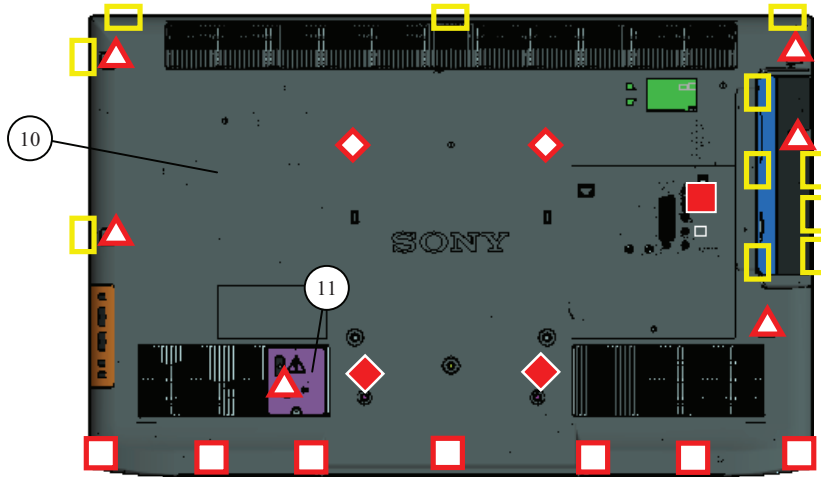
REF. No.	PART No.	DESCRIPTION	REMARK	
1	FX0018701	STAND, HEAD(M9)		
2	FX0014501	NECK(M9)		
3	FX0018901	STAND, BASE(M2)		
		▲	SCREW, +PSW M5X16	IN BAG ASSY
		★	USER SCREW ST	IN BAG ASSY

1-1-2. HEAD STAND, NECK AND BASE STAND



1-1. KDL-32EX421/521

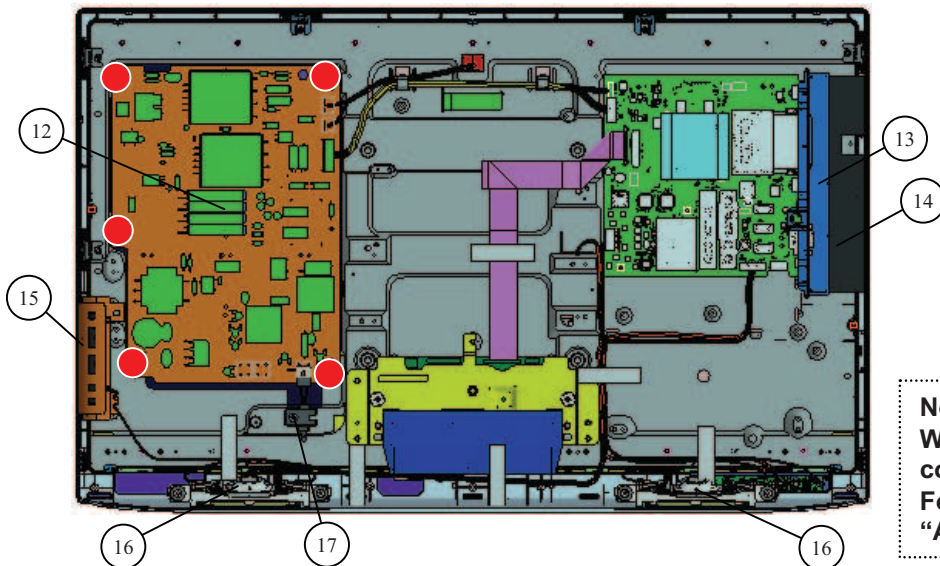
1-1-3. REAR COVER ASSY AND AC COVER



REF. No.	PART No.	DESCRIPTION	REMARK
10	FX0014301	REAR COVER(32)	
11	△ FX0002711	COVER, AC(M)	
12	△ FX0022912	STATIC CONVERTER (TV)-GE2A	
13	FX0006021	BRACKET SIDE (BAT-V32)	
14	FX0007421	LABEL(BAT-V MOLD SIDE)	
15	FX0023021	SWITCH UNIT	
16	FX0024712	LOUDSPEAKER	
17	△ FX0000511	POWER-SUPPLY CORD (WITH CONN.)	

- △ FX0001901 SCREW, +PSW M3X6 W12
- ◇ FX0006301 SCREW, ORNAMENTAL M6X12
- FX0003779 SCREW +BVTP 3X12 TYPE2 IT-3
- ◆ FX0002101 JOINT STAND
- FX0005801 SCREW, +BVTP 4X12 TYPE2 IT-3
- FX0001341 SCREW (+PSW) (M3X6)

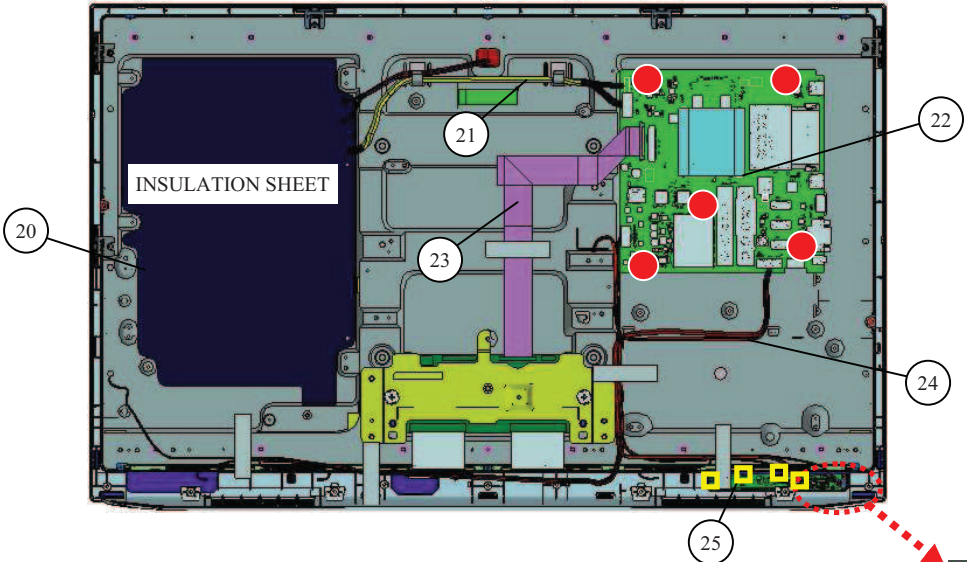
1-1-4. GE2A BOARD, SWITCH UNIT AND SPEAKER



Note:
 When removing the rear cover, care must be taken to avoid damage to the rear cover and power supply cord.
 For removal of the rear cover and power supply cord, please refer to "APPENDIX-1".

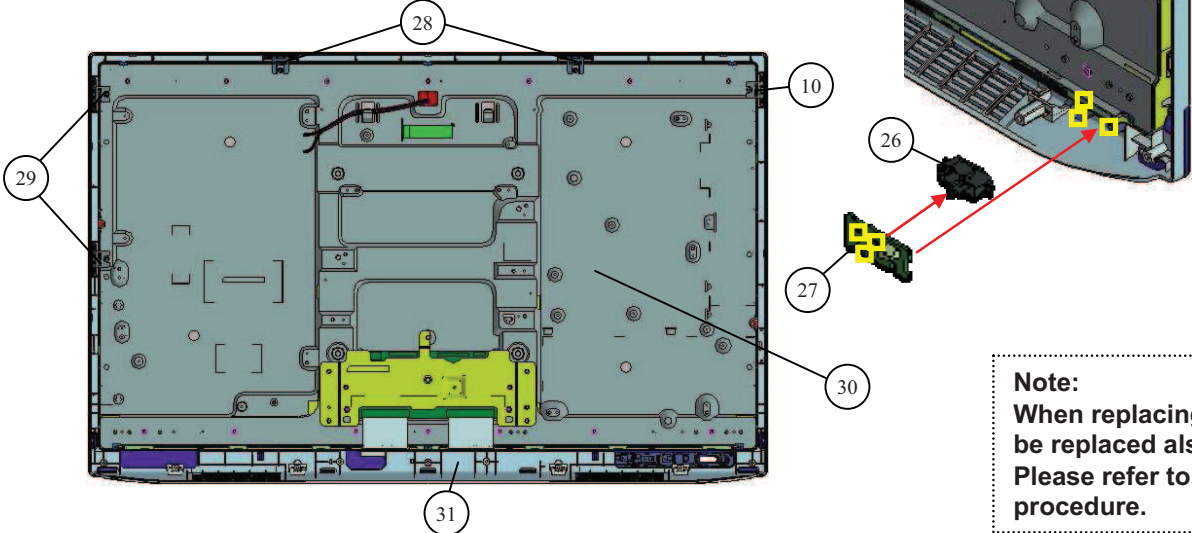
1-1. KDL-32EX421/521

1-1-5. BAT-V BOARD, HLR2 BOARD AND HMS3 BOARD



REF. No.	PART No.	DESCRIPTION	REMARK
20	FX0006401	SHEET, INSULATION (G10)	
21	* FX0024803	CONNECTOR ASSY 28P	
22	FX0095903	BAT-V COMPLETE (SERVICE)	EX521
	FX0095802	BAT-V COMPLETE (SERVICE)	EX421
23	* FX0023111	FFCWITH CONNECTOR I1 32S	EX521
	* FX0027711	FLEXIBLE FLAT CABLE I1 32WS	EX421
24	* FX0024907	HARNESS ASSY	
25	FX0095001	HLR2 MOUNT(B-O-AEP)	
26	* FX0000711	FRENEL LENS	
27	FX0095101	HMS3 MOUNT	
28	FX0006201	BRACKET, PANEL (H)	
29	FX0006101	BRACKET, PANEL (C)	
30	1-811-324-12	LCD PANEL (S32ESL)	EX521
	1-811-323-11	LCD PANEL (S32ESB)	EX421
31	FX0022801	BEZEL(32 SYR)	
	FX0001341	SCREW (+PSW) (M3X6)	

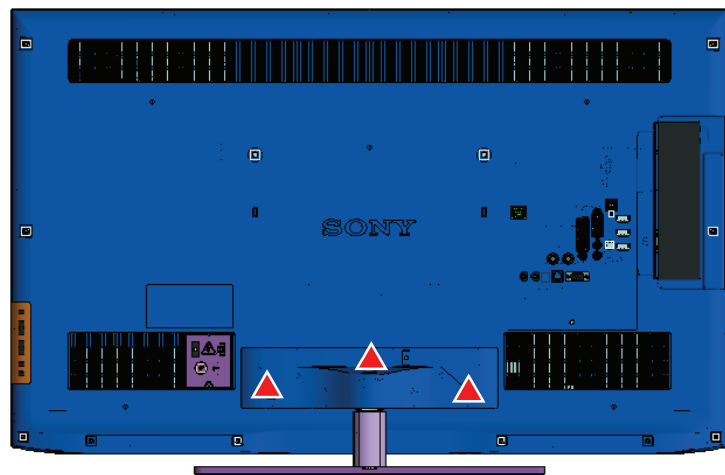
1-1-6. LCD PANEL AND BEZEL ASSY



Note:
 When replacing the Bezel and LCD panel double sided tape needs to be replaced also.
 Please refer to APPENDIX-2 for the of the disassembly and assembly procedure.

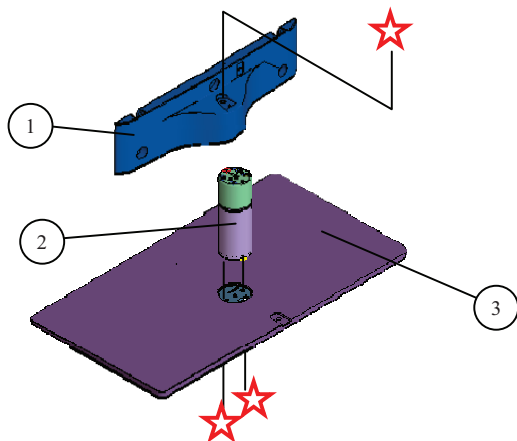
1-2. KDL-40EX521

1-2-1. STAND BLOCK



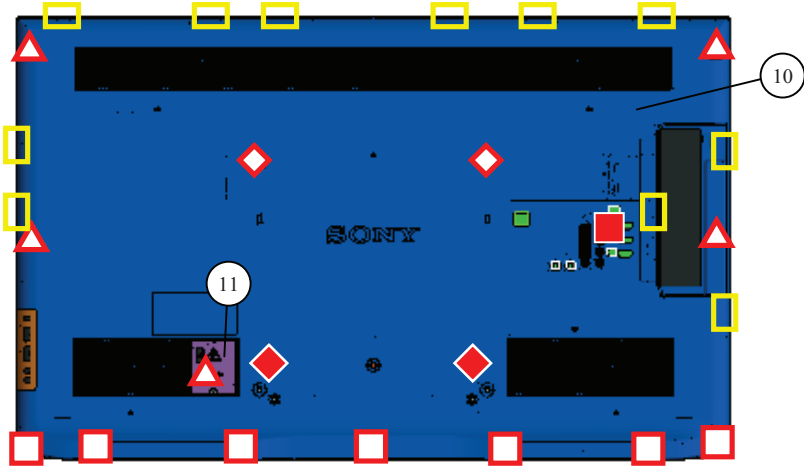
REF. No.	PART No.	DESCRIPTION	REMARK
1	FX0007801	STAND, HEAD(ML9)	
2	FX0007601	NECK(ML9)	
3	FX0008001	STAND, BASE(ML2)	
		▲ ★	SCREW, +PSW M5X16 USER SCREW ST IN BAG ASSY IN BAG ASSY

1-2-2. HEAD STAND, NECK AND BASE STAND



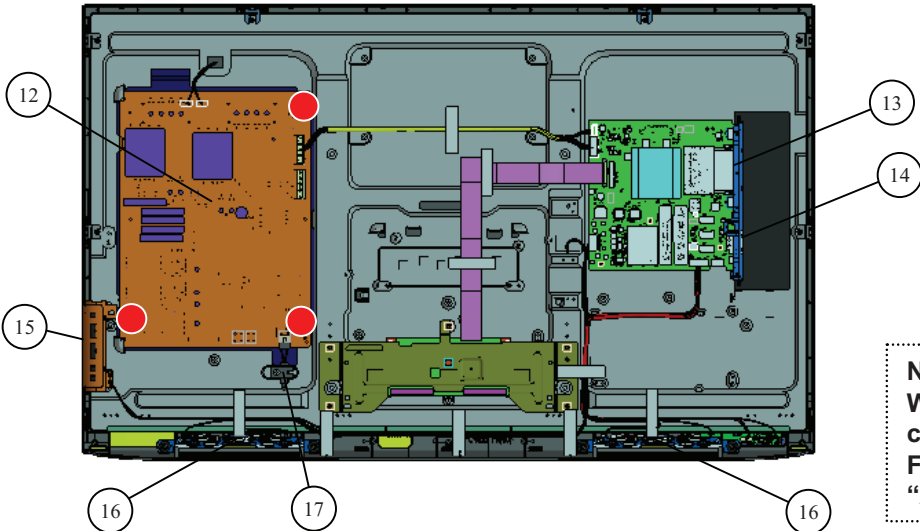
1-2. KDL-40EX521

1-2-3. REAR COVER ASSY AC COVER



REF. No.	PART No.	DESCRIPTION	REMARK
10	FX0009101	REAR COVER(40)	
11	△ FX0002711	COVER, AC(M)	
12	△ FX0031121	STATIC CONVERTER (TV)-GE3A	
13	FX0008221	BRACKET SIDE (BAT-V) MOLD	
14	FX0009021	LABEL,SHEET(BAT-V MOLD SIDE)	
15	FX0023021	SWITCH UNIT	
16	FX0031311	LOUDSPEAKER	
17	△ FX0000511	POWER-SUPPLY CORD (WITH CONN.)	

1-2-4. GE3A BOARD, SWITCH UNIT AND SPEAKER

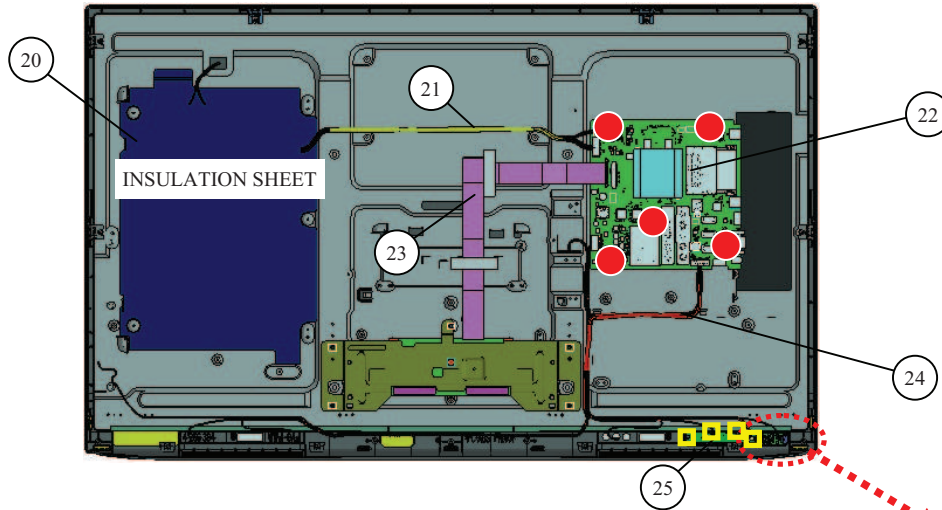


- △ FX0001901 SCREW, +PSW M3X6 W12
- ◇ FX0006301 SCREW, ORNAMENTAL M6X12
- FX0003779 SCREW +BVTP 3X12 TYPE2 IT-3
- ◆ FX0002101 JOINT STAND
- FX0005801 SCREW, +BVTP 4X12 TYPE2 IT-3
- FX0001341 SCREW (+PSW) (M3X6)

Note:
 When removing the rear cover, care must be taken to avoid damage to the rear cover and power supply cord.
 For removal of the rear cover and power supply cord, please refer to "APPENDIX-1".

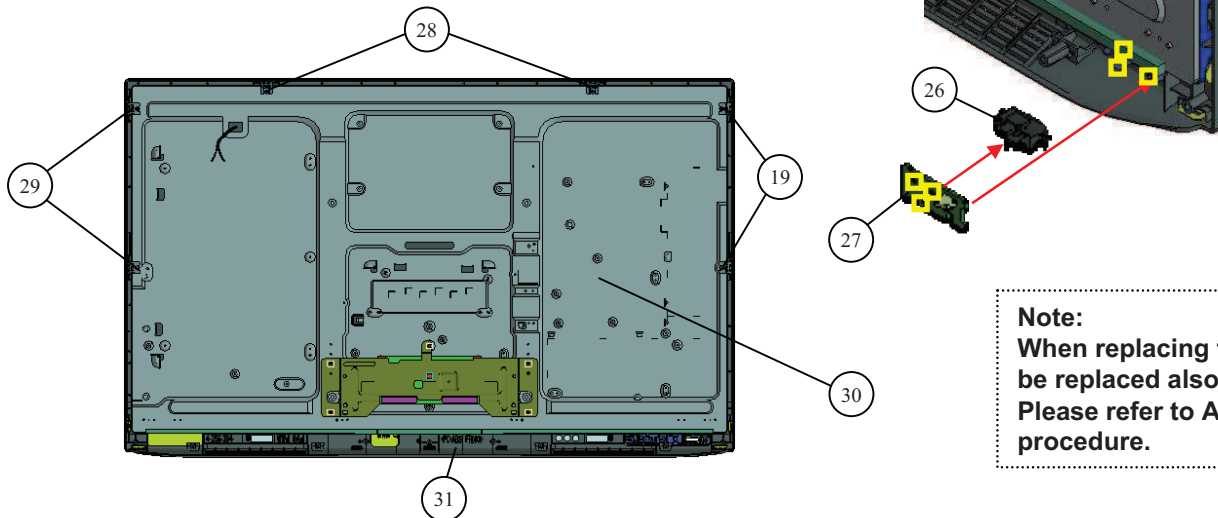
1-2. KDL-40EX521

1-2-5. BAT-V BOARD, HLR2 BOARD AND HMS3 BOARD



REF. No.	PART No.	DESCRIPTION	REMARK
20	FX0008301	SHEET, INSULATION (G4)	
21	* FX0031457	CONNECTOR ASSY 28P	
22	FX0095903	BAT-V COMPLETE (SERVICE)	
23	* FX0031211	FFCWITH CONNECTOR I1 40S	
24	* FX0031562	HARNESS ASSY	
25	FX0094001	HLR2 MOUNT(B-O-AEP)	
26	* FX0000711	FRENEL LENS	
27	FX0094401	HMS3 MOUNT	
28	FX0006201	BRACKET, PANEL (H)	
29	FX0006101	BRACKET, PANEL (C)	
30	1-811-325-12	LCD PANEL (S40ESL)	
31	FX0031601	BEZEL(40 SYR)	
	FX0001341	SCREW (+PSW) (M3X6)	

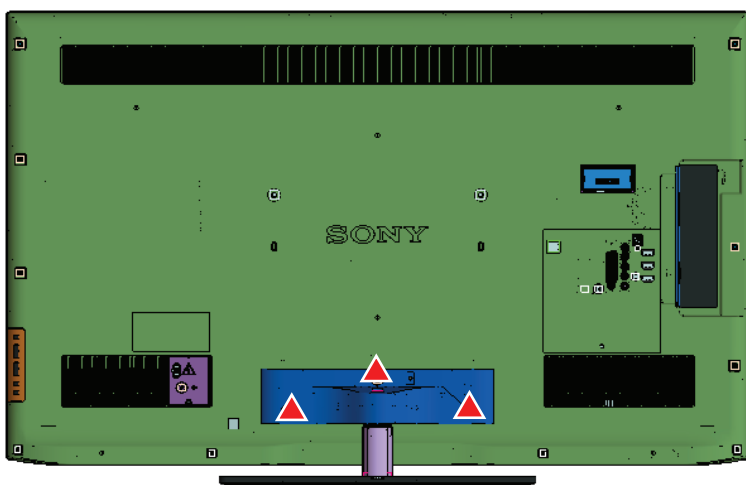
1-2-6. LCD PANEL AND BEZEL ASSY



Note:
 When replacing the Bezel and LCD panel double sided tape needs to be replaced also.
 Please refer to APPENDIX-2 for the of the disassembly and assembly procedure.

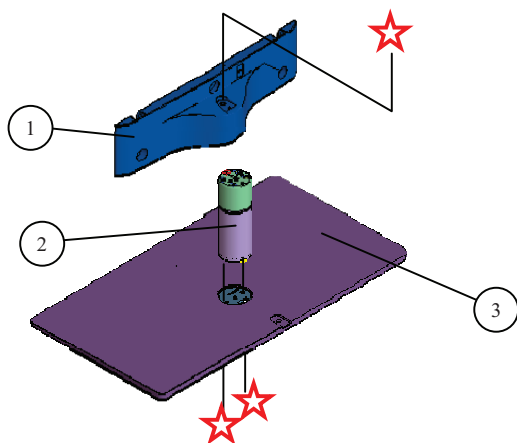
1-3. KDL-46EX521

1-3-1. STAND BLOCK



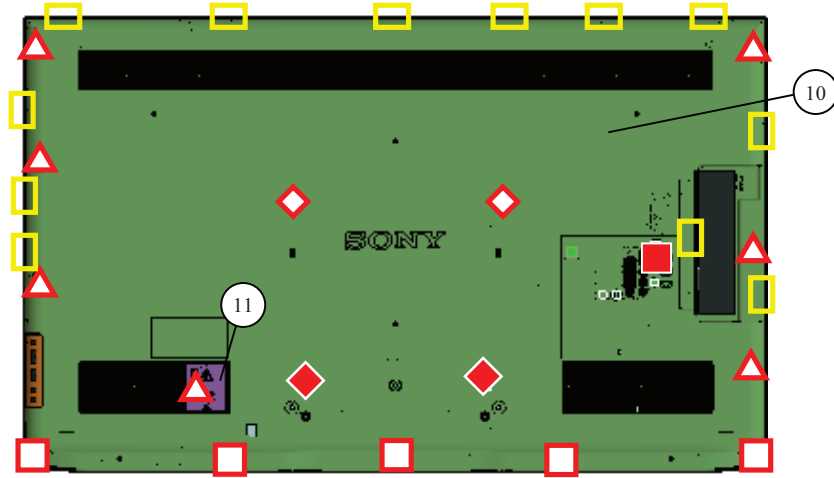
REF. No.	PART No.	DESCRIPTION	REMARK	
1	FX0007801	STAND, HEAD(ML9)		
2	FX0009501	NECK(L9)		
3	FX0010101	STAND, BASE(L2)		
		▲	SCREW, +PSW M5X16	IN BAG ASSY
		★	USER SCREW ST	IN BAG ASSY

1-3-2. HEAD STAND, NECK AND BASE STAND



1-3. KDL-46EX521

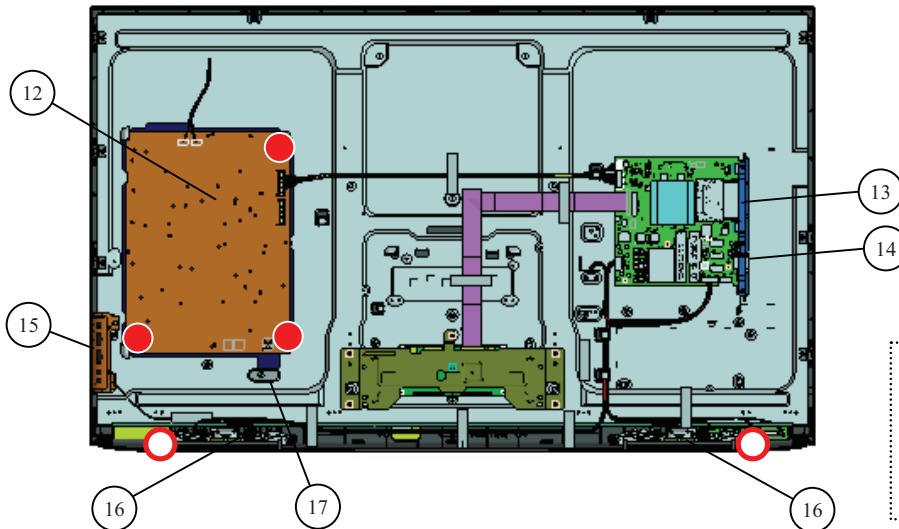
1-3-3. REAR COVER ASSY AND AC COVER



REF. No.	PART No.	DESCRIPTION	REMARK
10	FX0016501	REAR COVER(46)	
11	△ FX0002711	COVER, AC(M)	
12	△ FX0031121	STATIC CONVERTER (TV)-GE3A	
13	FX0008221	BRACKET SIDE (BAT-V) MOLD	
14	FX0009021	LABEL,SHEET(BAT-V MOLD SIDE)	
15	FX0023021	SWITCH UNIT	
16	FX0031311	LOUDSPEAKER	
17	△ FX0000511	POWER-SUPPLY CORD (WITH CONN.)	

- △ FX0001901 SCREW, +PSW M3X6 W12
- ◇ FX0006301 SCREW, ORNAMENTAL M6X12
- FX0003779 SCREW +BVTP 3X12 TYPE2 IT-3
- ◆ FX0002101 JOINT STAND
- FX0005801 SCREW, +BVTP 4X12 TYPE2 IT-3
- FX0001341 SCREW (+PSW) (M3X6)

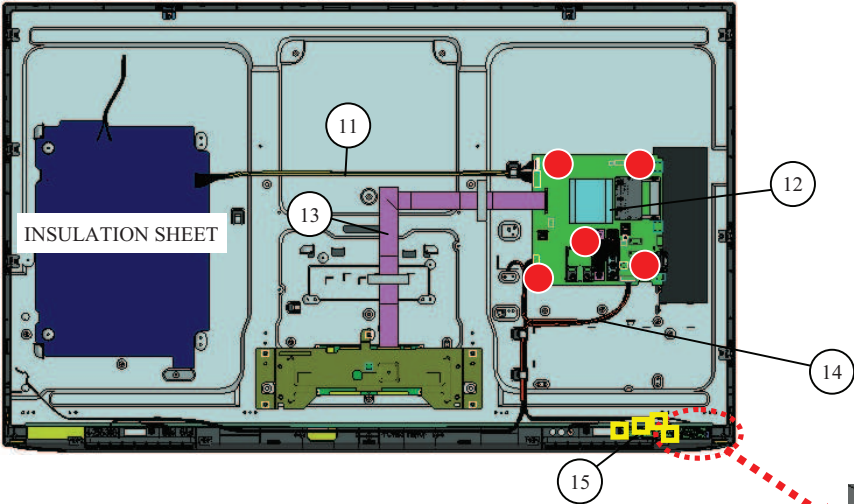
1-3-4. GE2A BOARD, SWITCH UNIT AND SPEAKER



Note:
 When removing the rear cover, care must be taken to avoid damage to the rear cover and power supply cord.
 For removal of the rear cover and power supply cord, please refer to "APPENDIX-1".

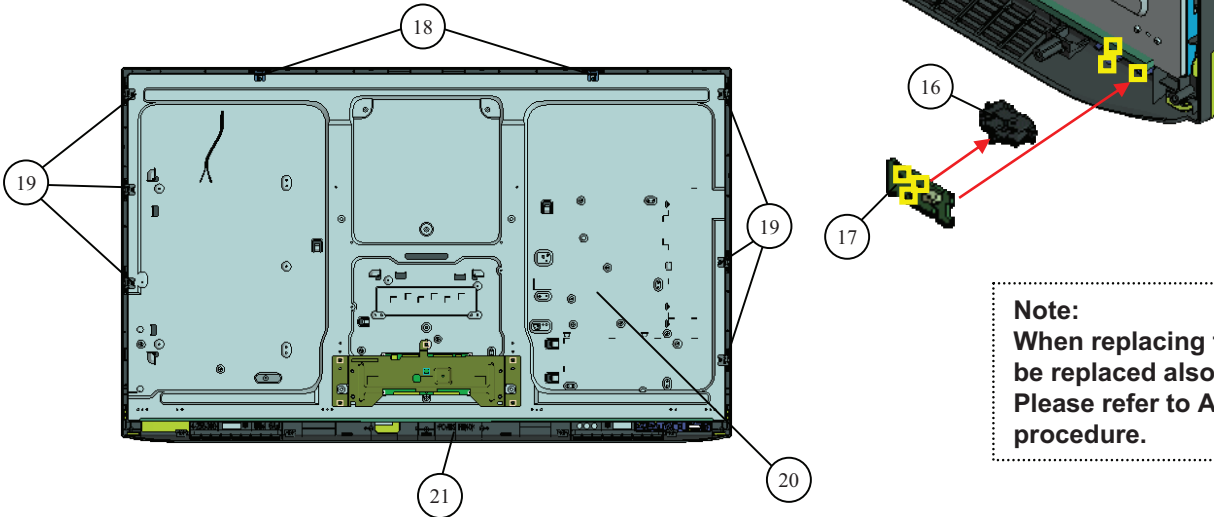
1-3. KDL-46EX521

1-3-5. BAT-V BOARD, HLR2 BOARD AND HMS3 BOARD



REF. No.	PART No.	DESCRIPTION	REMARK
20	FX0008301	SHEET, INSULATION (G4)	
21	* FX0027967	CONNECTOR ASSY 28P	
22	FX0095903	BAT-V COMPLETE (SERVICE)	
23	* FX0027811	FFCWITH CONNECTOR I1 46S	
24	* FX0028073	HARNESS ASSY	
25	FX0095001	HLR2 MOUNT(B-O-AEP)	
26	* FX0000711	FRENEL LENS	
27	FX0095101	HMS3 MOUNT	
28	FX0006201	BRACKET, PANEL (H)	
29	FX0006101	BRACKET, PANEL (C)	
30	1-811-326-11	LCD PANEL (S46ESL)	
31	FX0028102	BEZEL(46 SYR)	
	FX0001341	SCREW (+PSW) (M3X6)	

1-3-6. LCD PANEL AND BEZEL ASSY



Note:
 When replacing the Bezel and LCD panel double sided tape needs to be replaced also.
 Please refer to APPENDIX-2 for the of the disassembly and assembly procedure.

1-4. OTHER PART

1-4-1. MISCELLANEOUS

PART No.	DESCRIPTION	REMARK
FX0003991	BAG, SCREW ASSY (M) - See note below	32/40 inches
FX0001191	BAG, SCREW ASSY (L) - See note below	46 inches
FX0005901	CLAMPER, CABLE	
FX0002001	SHEET, RADIATION (BAT-L/V) - Not shown.	

Note

The "Bag , Screw Assy (M)" contains the following:-
 Screw, +PSW M5x16 (3 pcs.)
 Hex Wrench (1pc.)
 User Screw ST (3 pcs.)

The "Bag , Screw Assy (L)" contains the following:-
 Screw, +PSW M5x16 (3 pcs.)
 Hex Wrench (1pc.)
 User Screw ST (4 pcs.)

1-4-2. COMMON PARTS

FX0022701	DOUBLE SIDED TAPE (PANEL)	1 ROLL
-----------	---------------------------	--------

1-4-3. ACCESSORIES

PART No.	DESCRIPTION	REMARK
FX0018361	MANUAL, INSTRUCTION	
FX0000211	REMOTE COMMANDER (RM-ED045)	