

CD RECEIVER

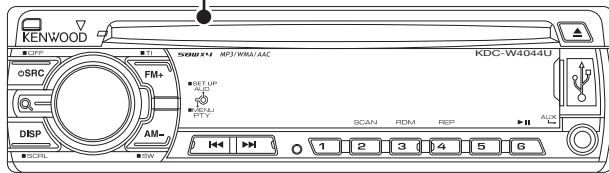
KDC-W4044UA/W4044UAY KDC-W4044UG/W4044UGY KDC-W413UA/W413UAY KDC-W4544U/W4644UY SERVICE MANUAL

KENWOOD

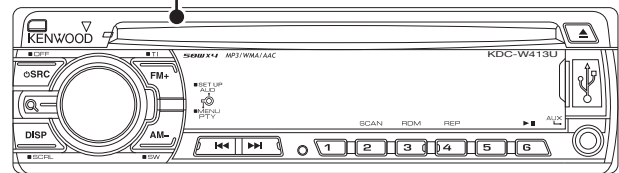
Kenwood Corporation

© 2008-11 PRINTED IN JAPAN
B53-0688-00 (N) 181

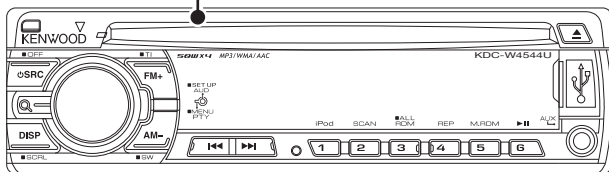
Panel assy
KDC-W4044Uxx (A64-4672-02)



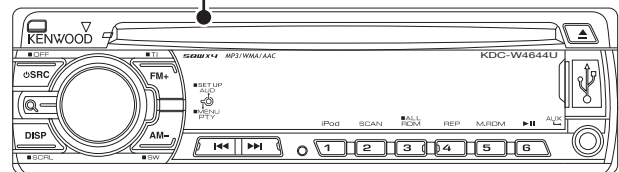
Panel assy
KDC-W413Uxx (A64-4673-02)



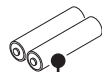
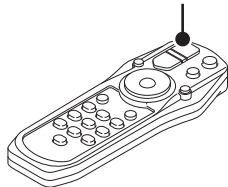
Panel assy
KDC-W4544U (A64-4671-02)



Panel assy
KDC-W4644UY (A64-4687-02)



* Remote controller assy (RC-557)
(A70-2087-15)

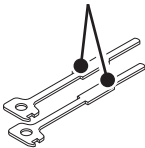


Battery
(Not supplied)

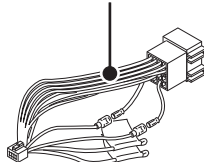
TDF SPARE-PANEL

MAIN UNIT NAME	TDF PARTS No.	TDF NAME
KDC-W4044UA	Y33-3022-71	TDF-W4044UA
KDC-W4044UAY	Y33-3022-71	TDF-W4044UA
KDC-W4044UG	Y33-3022-72	TDF-W4044UG
KDC-W4044UGY	Y33-3022-72	TDF-W4044UG
KDC-W413UA	Y33-3022-73	TDF-W413UA
KDC-W413UAY	Y33-3022-73	TDF-W413UA
KDC-W4544U	Y33-3022-70	TDF-W4544U
KDC-W4644UY	Y33-3022-70	TDF-W4544U

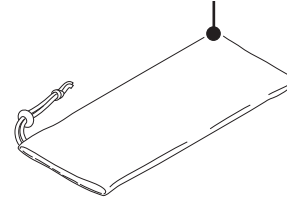
Lever
(D10-7049-04) x2



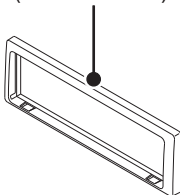
DC cord
(E30-6800-05)



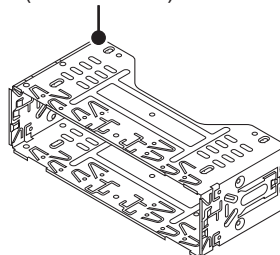
Carrying case
(W01-1710-05)



Escutcheon
(B07-3271-01)



Mounting hardware assy
(J22-0789-03)



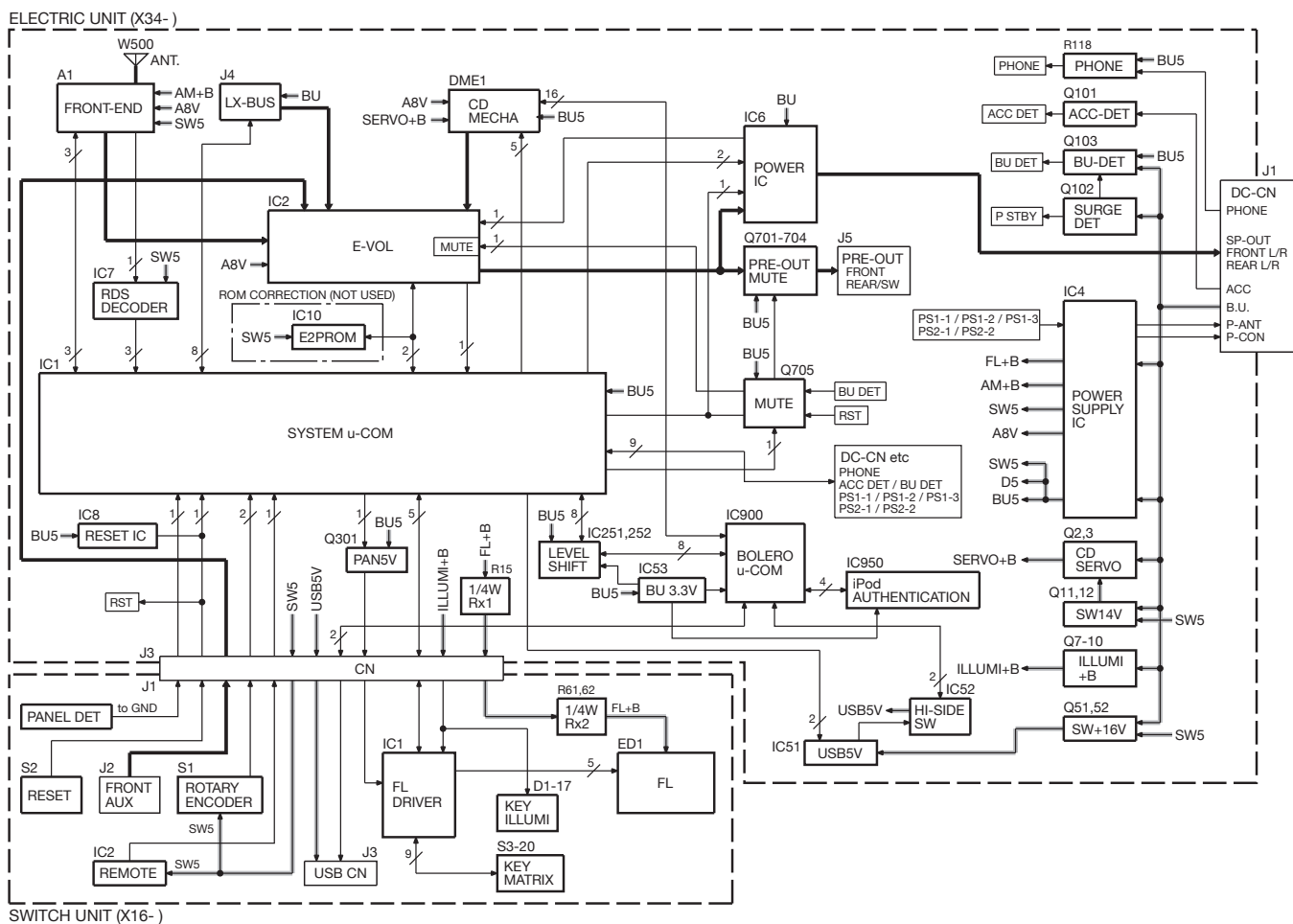
* Depends on the model. Refer to the parts list.

This product uses Lead Free solder.

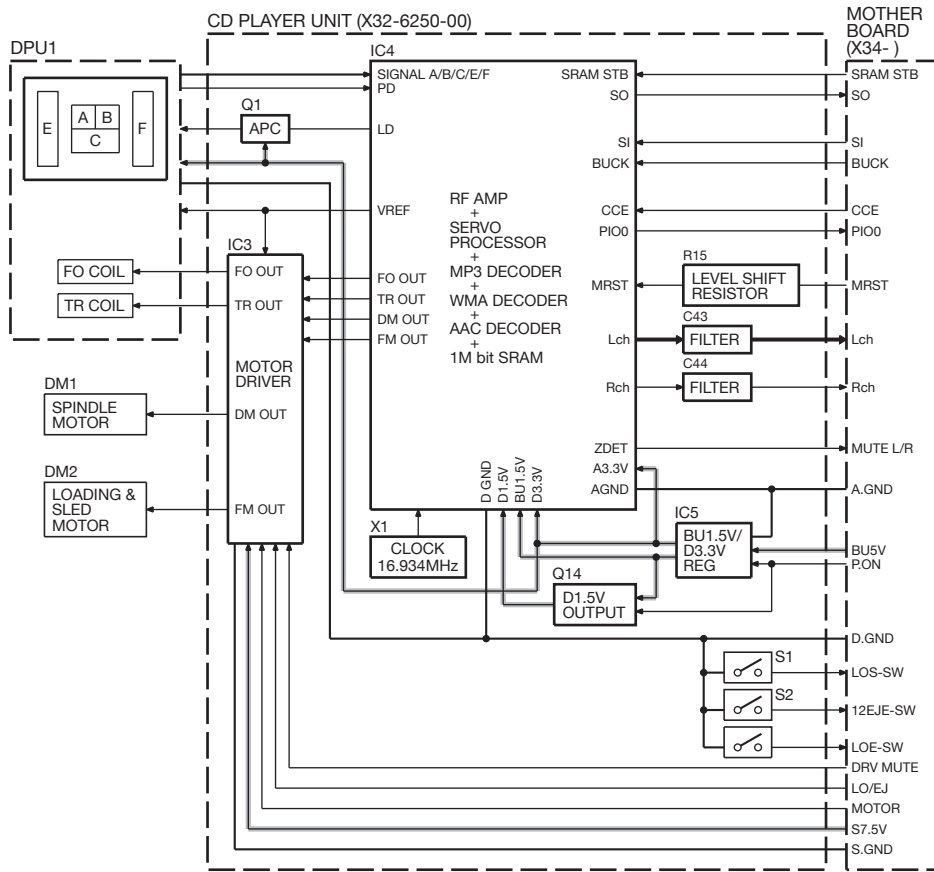
This product complies with the **RoHS** directive for the European market.



BLOCK DIAGRAM



BLOCK DIAGRAM



COMPONENTS DESCRIPTION

● ELECTRIC UNIT (X34-623x-xx)

Ref. No.	Application / Function	Operation / Condition / Compatibility
IC1	System μ -COM	Controls FM/AM tuner, the changer, CD mechanism, panel, volume and tone.
IC2	E-VOL	Controls the source, volume, tone.
IC4	Power Supply IC	Outputs 5V \times 2, 8.1V \times 2, 10.2V, P-CON, P-ANT.
IC6	Power IC	Amplifies the front L/R and the rear L/R to 50W maximum.
IC7	RDS IC	Decodes RDS.
IC8	Reset IC	Lo when detection voltage goes below 3.6V.
IC51	Switching Regulator	Power supply for D+5.1V. (to USB and Panel)
IC52	Hi-side SW	Detects USB Over Current.
IC53	D+3.3V AVR IC	Power supply for D+3.3V. (IC252,900,950)
IC251	Level Shift (3.3V \rightarrow 5V)	Shifts level. (3.3V \rightarrow 5V)
IC252	Level Shift (5V \rightarrow 3.3V)	Shifts level. (5V \rightarrow 3.3V)
IC900	Sub μ -COM	Controls USB and CD mechanism.
IC950	i-Pod Authentication Coprocessor	Authenticates i-Pod.
Q2	Servo+B AVR	When Q3's base goes Hi, AVR outputs 7.5V.
Q3	Control SW for Servo +B	ON when the base goes Hi.
Q7	FL+B SW	ON when the base goes Hi.
Q8	FL+B AVR	When Q9's base goes Hi, AVR outputs 10.5V.
Q9	Control SW for FL+B	ON when the base goes Hi.
Q10	FL+B SW	ON when the base goes Lo.
Q11	14V SW	ON when the base goes Hi.
Q12	14V SW	ON when the base goes Lo.
Q51	Control SW for 16V SW	ON when the base goes Hi.
Q52	16V SW	When Q51's base goes Hi, AVR outputs BU voltage.
Q53	FREQ CONT SW for IC51	1.3MHz when the base goes Lo, 1.8MHz when the base goes Hi.
Q101	ACC DET	ON when the base goes Hi during ACC is applied.
Q102	Serge DET	When the base goes Hi, Surge voltage is detected.
Q103	BU DET	ON when the base goes Hi during BU is applied.
Q104,105	Mute Control	ON when the base goes Hi.
Q301	Panel 5V SW	ON when the base goes Lo.
Q701,702	Pre-out Mute SW	When a base goes Hi, pre-out is muted.
Q705	Mute Driver for Pre-out	ON when the base goes Lo.
Q902,903	3.3V AVR for IC900	When base of Q902 goes Hi, 3.3V is ON.
Q905	CD "LOE_LIM_SW"_Buffer	When the base goes Hi, loading ends.

● SWITCH UNIT (X16-647x-xx)

Ref. No.	Application / Function	Operation / Condition / Compatibility
IC1	FL Driver	
IC2	Remote Control Sensor	

COMPONENTS DESCRIPTION

● CD PLAYER UNIT (X32-6250-00)

Ref. No.	Application / Function	Operation / Condition / Compatibility
IC3	4ch BTL Driver	Driver for focusing & tracking coil, driver for sled & spindle motor, and operation for disc loading & ejection.
IC4	Servo DSP with built-in Audio DAC	With built-in MP3/WMA/ACC decoder and 1M-bit-SRAM.
IC5	BU1.5V/D3.3V REG.	Power supply for BU1.5V. Power supply for digital/analogue/audio 3.3V.
Q1	APC (Auto Power Control)	Drives LD (Laser Diode).
Q14	D1.5V Output	Switches ON/OFF at one end of BU1.5V line which is separated into 2 directions. Uses output voltage as D1.5V.
D2	Laser Diode Protection	Prevents reverse bias which is applied to laser. Laser destruction prevention.
D3,4	Static Electricity Countermeasure	Prevents malfunction by static electricity.

MICROCOMPUTER'S TERMINAL DESCRIPTION

● SYSTEM μ -COM: IC1 on X34- (ELECTRIC UNIT)

Pin No.	Pin Name	I/O	Application	Truth Value Table	Processing Operation Description
1	LX DATA M	I/O	Data to slave unit		
2	LX CLK	I/O	LX-BUS clock		125kHz~65kHz
3~5	NC	-	Not used		Output L fixed
6	REMO	I	Remote control signal input		Detects pulse width
7	NC	-	Not used		Output L fixed
8	BYTE	I	Memory extension bus width setting		Connects to VSS
9	CNVSS	-			Connects to VSS. H: Possible to rewrite flash ROM
10	XCIN	-	32.768kHz		
11	XCOUT	-	32.768kHz		
12	RESET	-			L: Reset
13	XOUT	-	10.0MHz		
14	VSS	-			
15	XIN	-	10.0MHz		
16	VCC1	-			
17	NMI	I			Connects to VSS
18	PANEL DET	I	Panel communication detection		H: Panel detached, L: Panel attached
19,20	NC	-	Not used		Output L fixed
21	ROMCOR DET	I	E2PROM writing request		H: E2PROM writing
22,23	NC	-	Not used		Output L fixed
24	PON FL	O	Key illumination power supply control		ON: H, OFF: L
25	NC	-	Not used		Output L fixed
26	PON PANEL	I/O	Panel 5V control		ON: L 11 minutes after momentary power-down, panel detached or ACC OFF: Hi-Z
27,28	NC	-	Not used		Output L fixed
29	AUD SCL	I/O	E-VOL clock input/output		
30	AUD SDA	I/O	E-VOL data input/output		
31	VFD SYS DATA	O	VFD data output		The communication begins after 500ms after VFD_BLK (34) goes Hi.
32	VFD PAN DATA	I	VFD data input		
33	VFD CL	O	VFD clock output		125kHz
34	VFD BLK	O	VFD driver reset output		H: Reset cancelled, L: Reset 11 minutes after momentary power-down, panel detached or ACC OFF: L
35	S SYS DATA	O	Bolero serial output		
36	S SOC DATA	I	Bolero serial input		
37	S SOC CLK	I	Bolero serial clock input		
38	CD LOS SW	I	CD loading detection		
39	CD LOE LIM SW	I	CD detection (Chucking SW)		H: Loading completed, L: No disc
40	CD LOEJ	I/O	CD motor control	①	Refer to the truth value table

MICROCOMPUTER'S TERMINAL DESCRIPTION

Pin No.	Pin Name	I/O	Application	Truth Value Table	Processing Operation Description
41	EPM	I	Flash ROM EPM input		L: Possible to rewrite flash ROM Connects to VSS (Never set it to output Hi)
42	CD MOTOR	I/O	CD motor control	①	Refer to the truth value table
43	NC	-	Not used		Output L fixed
44	CD DISC12 SW	I	12cm disc detection		
45	NC	-	Not used		Output L fixed
46	VFD CE	O	VFD control request		
47	NC	-	Not used		Output L fixed
48	ROTARY CCW	I	VOL key input (Counter-clockwise)		Detects pulse width
49	ROTARY CW	I	VOL key input (Clockwise)		Detects pulse width
50	NC	-	Not used		Output L fixed
51	RDS DATA	I/O	RDS decoder data input		
52	RDS QUAL	I	RDS decoder QUAL input		
53	CD MUTE	I	CD mute request		H: Normal, L: Mute request
54	\overline{S} SOC REQ	I	Communication request from SOC to system μ -COM		
55	SOC RST	O	SOC reset		H: Normal, L: Reset
56	SOC S STOP	O	SOC stop		H: Normal, L: SOC stopped
57	S SYS REQ	O	Communication request from system μ -COM to SOC		
58-61	NC	-	Not used		Output L fixed
62	VCC2	-			
63	NC	-	Not used		Output L fixed
64	VSS	-			
65	RDS NOISE	I	FM noise detection		
66	TUN SMETER	I	S-meter input		
67	TUN IFC OUT	I	Front-end IFC-OUT input		H: Station detected, L: No station
68	AUD DC ERR	I	DC offset detection		If DC offset is detected 20 times in 100ms with condition below 1.0V, it will be judged as DC offset is detected.
69	LX RST	O	Forced reset to slave unit		H: Reset, L: Normal
70	LX CON	O	Start-up request to slave unit		H: Slave unit ON, L: Slave unit OFF
71	LX MUTE	I	Mute request from slave unit		H: Mute ON, L: Mute OFF
72	LX REQ M	O	Communication request to slave unit		
73	PWIC SVR	O	SVR discharge circuit		During 500ms after power OFF or momentary power-down: H, Since then: L
74	RDS CLK	I/O	RDS decoder clock input		
75	LX REQ S	I	Communication request from slave unit		
76	PWIC STBY	O	Power IC standby control		Power ON: H, Power OFF: L
77	PWIC MUTE	O	Power IC mute		STANDBY source or momentary power-down: L, TEL mute: L

MICROCOMPUTER'S TERMINAL DESCRIPTION

Pin No.	Pin Name	I/O	Application	Truth Value Table	Processing Operation Description
78	MUTE	I/O	Mute		L: Mute OFF, Hi-Z: Mute ON
79	$\overline{\text{BU DET}}$	I	Momentary power-down detection		BU detected: L, No BU or momentary power-down: H (Operates below 4ms after momentary power-down is detected)
80	$\overline{\text{ACC DET}}$	I	ACC power supply detection		ACC detected: L, No ACC: H
81	TYPE1	I	Destination SW		
82	TYPE2	I	Destination SW		
83	PWIC DC ERR	I	Detects whether power IC was short-circuited to +B or GND		
84	LINE MUTE	I	Line mute detection		TEL mute: Below 1V, NAVI mute: Over 2.5V
85	NC	-	Not used		Output L fixed
86	FSEL	O	Frequency SW for switching regulator		H: 1.3MHz, L: 1.8MHz
87	PON SWREG	O	ON/OFF for switching regulator		H: ON, L: OFF
88,89	NC	-	Not used		Output L fixed
90	PS2 2	O	Power supply IC control	②	Refer to the truth value table
91	PS2 1	O	Power supply IC control	②	Refer to the truth value table
92	PS1 1	O	Power supply IC control	②	Refer to the truth value table
93	PS1 2	O	Power supply IC control	②	Refer to the truth value table
94	PS1 3	O	Power supply IC control	②	Refer to the truth value table
95	NC	-	Not used		Output L fixed
96	AVSS	-			
97	REF CON	O	VREF control		Connects to VREF
98	VREF	-			
99	AVCC	-			
100	LX DATA S	I	Data from slave unit		

• Truth value table

① CD motor control

	CD motor	CD loading/eject
Stop	L	L
Load	H	L
Eject	H	H
Brake	H	Hi-z

② Power supply IC (IC4) control

SEL1 (Pin 10)

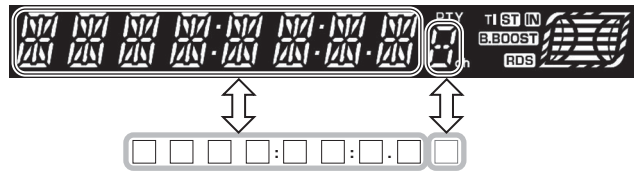
PS1-2	PS1-3	PS2-1	ILLUMI	P-CON	P-ANT
L	L	L	OFF	OFF	OFF
L	L	H	ON	OFF	OFF
H	L	H	ON	ON	OFF
H	H	H	ON	ON	ON

SEL2 (Pin 11)

PS1-1	PS2-2	AUDIO/SW5	AM
L	L	OFF	OFF
H	L	ON	OFF
H	H	ON	ON

TEST MODE

■ Example



Key	Description of display	Description
5	Disc EJECT times display	E J C X X X X X
■5		Disc EJECT times display. MAX 65535 (times) While disc EJECT times is displayed, press and hold for 2 seconds or longer to clear disc EJECT times.

A symbol “■” in the key column indicates that the key should be pressed and held for 1 second or longer.

■ How to enter the test mode

Procedure	Note
Press and hold the [1] key and [3] key and reset.	

All lamps blink when it is detected that the sub-clock resonator is disconnected.

When having started up in the test mode, change the LINE MUTE inhibition time from 10 seconds to 1 second.

When operating in the test mode, even if a DC offset error occurs, detection information is not written in the E2PROM.

When operating in the test mode, CD mechanism error log information clear mode, and DC offset error detection information clear mode, do not perform DEMO mode operations.

Also, do not display DEMO ON/OFF option items in the MENU in STANDBY source in the above modes.

Forced disc ejection is prohibited in the test mode.

■ How to clear the test mode

Procedure	Note
Reset, momentary power down, ACC OFF, Power OFF, Panel detached.	Clearing the test mode

■ Test mode default condition

Description	Default values
Source	STANDBY
Display	Display lights are all turned on.
Volume	-10dB (“30” is displayed.)
Bass Boost	OFF
CRSC	OFF regardless of having/not having the switching function.
AUX	ON1
System Q	NATURAL
Preout	Rear

TEST MODE

■ Special displays when all lights are on in STANDBY source

Key	Description of display	Description
Common	All lights ON. <input type="checkbox"/> <input type="checkbox"/> <input type="checkbox"/> <input type="checkbox"/> <input type="checkbox"/> <input type="checkbox"/> <input type="checkbox"/> <input type="checkbox"/> <input type="checkbox"/>	All lights ON.
1	Destination terminal condition indication T Y P E : 1 1 <input type="checkbox"/> <input type="checkbox"/>	“TYPE” indicates system μ-com (IC1) destination, and shows real-time condition of the destination terminal.
	Development ID condition indication 8 0 1 E 2 - 3 . 0 0	Development ID – Version (system μ-com: IC1)
	Information display Name of mechanism type Mechanism version 9 B 2 0 : <input type="checkbox"/> <input type="checkbox"/> <input type="checkbox"/> <input type="checkbox"/>	Display of name of mechanism type and mechanism version (Bolero version) (Press the key while the display is what is shown in the left column to change to the servo version display.)
	Information display Mechanism servo version (USB) S E R V : <input type="checkbox"/> <input type="checkbox"/> <input type="checkbox"/> <input type="checkbox"/>	Display of mechanism servo table version (Press the key while the display is what is shown in the left column to display mechanism boot program version.)
	Information display Mechanism boot program version (USB) B O O T : <input type="checkbox"/> <input type="checkbox"/> <input type="checkbox"/> <input type="checkbox"/>	Display of mechanism boot program version (Press the key while the display is what is shown in the left column to return to the normal display.)
2	Serial No. display 0 0 0 0 0 0 0 0	Serial No. is displayed (8 digits)
3	Power ON time display P O N <input type="checkbox"/> <input type="checkbox"/> 0 H X X P O N X X X X X X X	00–50 is displayed for “XX”. When less than 1 hour, displayed by increments of 10 minutes.
		00001–10922 is displayed for “XXXXX”. MAX 10922 (hours)
■3		When Power ON time is displayed, press and hold for 2 seconds or longer to clear Power ON time.
4	Disc operation time display C D T <input type="checkbox"/> <input type="checkbox"/> 0 H X X C D T X X X X X X	00–50 is displayed for “XX”. When less than 1 hour, displayed by increments of 10 minutes.
		00001–10922 is displayed for “XXXXX”. MAX 10922 (hours)
■4		While the disc operation time is displayed, press and hold for 2 seconds or longer to clear the disc operation time. (Cleared only for displayed media.)
5	Disc EJECT times display E J C X X X X X X	Disc EJECT times display. MAX 65535 (times)
		While disc EJECT times is displayed, press and hold for 2 seconds or longer to clear disc EJECT times.
6	Panel open/close times display P C <input type="checkbox"/> <input type="checkbox"/> X X X X X X	PANEL open/close times display. MAX 65535 (times)
		Press the key for more than 2 seconds while the PANEL open/close count is displayed and PANEL open/close count is cleared.
FM	ROM correction version display 0 1 2 3 : 0 1 2 3 <System μ-com> <Mechanism μ-com> E R R <input type="checkbox"/> : E R R <input type="checkbox"/> <System μ-com> <Mechanism μ-com> - - - - : - - - - <System μ-com> <Mechanism μ-com> * * * * : * * * * <System μ-com> <Mechanism μ-com>	XXXX : XXXX (System μ-com ROM correction version: Mechanism μ-com ROM correction)
		ERR : ERR (System μ-com ROM correction error: Mechanism μ-com ROM correction error)
		---- : ---- (System μ-com ROM correction data is not yet written: Mechanism μ-com ROM correction data is not yet written)
		**** : *** (System μ-com ROM correction data is incompatible: Mechanism μ-com ROM correction data is incompatible)

TEST MODE

Key	Description of display		Description
AM	Fluorescent indicator short check	<input type="checkbox"/> <input type="checkbox"/> <input type="checkbox"/> <input type="checkbox"/> <input type="checkbox"/> <input type="checkbox"/> <input type="checkbox"/> <input type="checkbox"/> <input type="checkbox"/>	Turns off all the lights → Turns on odd and even terminals alternatively every 125ms (terminals that have a maximum number of grids) → Turns on only the odd terminals → Turn on only the even terminals →
▶▶I	Audio data initialization	A U D <input type="checkbox"/> I N I T <input type="checkbox"/>	AUDIO setting value is re-set to the test mode default value.
I◀◀	Forced Power OFF information display	P O F F <input type="checkbox"/> - - - <input type="checkbox"/>	No forced power OFF
		P O F F <input type="checkbox"/> P N L <input type="checkbox"/>	Forced power OFF by communication error between system μ-com and panel.
■I◀◀			While the forced power OFF data is displayed, press and hold for 2 seconds to clear the data.
DISP	CD information display	<input type="checkbox"/> <input type="checkbox"/> <input type="checkbox"/> <input type="checkbox"/> <input type="checkbox"/> <input type="checkbox"/> <input type="checkbox"/> <input type="checkbox"/> <input type="checkbox"/>	For the display contents, refer to “CD information display mode” in the next section.
■DISP	CD information display mode ON/OFF		While in CD information display mode, press and hold for 2 seconds or longer to clear all CD information.
AUD	Information display: iPod authentication IC installation condition display	i P o d : <input type="checkbox"/> <input type="checkbox"/> <input type="checkbox"/> <input type="checkbox"/> <input type="checkbox"/>	iPod authentication IC installation condition display. Blank: Checking if the IC is installed
		i P o d : O K <input type="checkbox"/> <input type="checkbox"/> <input type="checkbox"/>	OK: IC is being installed, NG: IC is not yet installed
		i P o d : N G <input type="checkbox"/> <input type="checkbox"/> <input type="checkbox"/>	(Press the key while the display is what is shown in the left column to return to the normal display)

• CD information display mode

Key	Description of display		Description
I◀◀ / ▶▶I	CD mechanism error log display	M C E R R 1 : X X <input type="checkbox"/>	Mechanism error log 1 (Latest) XX: Error number. “- -” is displayed in case there is no error.
		M C E R R 2 : X X <input type="checkbox"/>	Mechanism error log 2 (Latest) XX: Error number. “- -” is displayed in case there is no error.
		M C E R R 3 : X X <input type="checkbox"/>	Mechanism error log 3 (Latest) XX: Error number. “- -” is displayed in case there is no error.
I◀◀ / ▶▶I	CD Load error information display	L D E R R 1 : X X <input type="checkbox"/>	Load error switch 1 XX: Number of errors. “- -” is displayed in case there is no error.
		L D E R R 2 : X X <input type="checkbox"/>	Load error switch 2 XX: Number of errors. “- -” is displayed in case there is no error.
I◀◀ / ▶▶I	CD Ejection error information display	E J E R R 1 : X X <input type="checkbox"/>	Ejection error switch 1 XX: Number of errors. “- -” is displayed in case there is no error.
		E J E R R 2 : X X <input type="checkbox"/>	Ejection error switch 2 XX: Number of errors. “- -” is displayed in case there is no error.
		E J E R R 3 : X X <input type="checkbox"/>	Ejection error switch 3 XX: Number of errors. “- -” is displayed in case there is no error.
		E J E R R 4 : X X <input type="checkbox"/>	Ejection error switch 4 XX: Number of errors. “- -” is displayed in case there is no error.
I◀◀ / ▶▶I	CD time code error count data display (Missing counts)	C N T <input type="checkbox"/> L O S E <input type="checkbox"/>	CD time code error count data (Missing counts) mode display.
		C D D A <input type="checkbox"/> <input type="checkbox"/> <input type="checkbox"/> <input type="checkbox"/> <input type="checkbox"/> <input type="checkbox"/> <input type="checkbox"/> <input type="checkbox"/> <input type="checkbox"/>	Number of CD-DA count errors XX: Number of errors. “- -” is displayed in case there is no error.

TEST MODE

Key	Description of display	Description
◀◀/ ▶▶	CD time code error count data display (count not updated)	CD time code error count data (count not updated) mode display.
		Number of CD-DA count errors XX: Number of errors. "--" is displayed in case there is no error.

■ Test mode specifications in TUNER source

Error is found in front-end (A1), etc. if indications below is displayed while in tuner source.

Status	Display	Description
Front-end (A1) E2PROM data error	T N E 2 P □ N G □	Front-end (A1) E2PROM is still the default (unspecified) value.
Front-end (A1) communication error	T N C O N □ N G □	Communication with front-end (A1) is not possible.
Destination mismatch	T N T Y P □ N G □	When destination is mismatch between front-end E2PROM and the product.

• TUNER preset operation

Key	Description of display	Description
4	Preset function	F M 1 □ 9 8 . 3 A 4

• K3I forced switching

Every time when [6] key is pressed in tuner FM source, switched in the following order: AUTO → Forced WIDE → Forced MIDDLE → Forced NARROW → AUTO. Default status is AUTO, and displayed as shown below.

Key	Description of display	Description
6	K3I Forced switching	F M 1 □ 9 8 . 1 A □
		F M 1 □ 9 8 . 1 W □
		F M 1 □ 9 8 . 1 M □
		F M 1 □ 9 8 . 1 N □

• FST adjustment mode

Perform FST soft-mute adjustment.

Key	Note
■DISP	To enter into FST adjustment mode (Press and hold the key for 1 second) In FM, the frequency changes to 98.3MHz

Operations in the FST adjustment mode are as follows:

Key	Description of display	Description
FM (UP) AM (DOWN)	Soft mute adjustment	S M D - F □ □ □ □
	Seek Stop Level adjustment (Auto)	A T N □ □ □ □ V □
	Seek Stop Level adjustment (Auto)	A T L □ □ □ □ V □

TEST MODE

Key		Description of display	Description
FM (UP) AM (DOWN)	◀◀ / ▶▶	Seek Stop Level adjustment (Manual) M N N □ □ □ □ V □	0.00(V) ↔ 5.00 (V) Normal (Local OFF)
	◀◀ / ▶▶	Seek Stop Level adjustment (Manual) M N L □ □ □ □ V □	0.00(V) ↔ 5.00 (V) Normal (Local ON)
■AUD		Adjustment value memory E P □ W R I T E □	The display in the left column is shown when the data has been written in E2PROM by pressing and holding the key for 2 seconds.
AUD		Mode clear F M 1 □ 9 8 . 3 A 4	To clear FST adjustment (The display returns to the normal display but the test mode is retained)

In the band where the local seek can be turned on or off (Local Seek ON/OFF), it is possible to turn on or off the local seek by pressing the [DISP] key briefly.

After completing the FST adjustment, if You wish to clear the test mode, You can do this using the reset button.

■ Test mode specifications in CD source

Display mode default: P-Time

• Procedure in CD-DA media (KTD-02A)

Key	Description of display	Description
▶▶	Track up procedure	Every time pressed, jumps to the track shown below. No.9 → No.15 → No.10 → No.11 → No.12 → No.13 → No.22 → No.14 → No.9 (recursive) But in case the disc has 8 tracks or less, playback starts with track No.1. (For both CD-DA and compressed file discs)
◀◀	Track down procedure	Goes down by 1 track from the currently played track.
1	Jump procedure	Jump to No. 28 (Scratch 0.7mm for MUSIC line vibration testing)
2	Jump procedure	Jump to No. 14 (Blurring surface disc TCD-731RA Tr14)
3	Information display Name of mechanism type Mechanism version	9 B 2 0 : □ □ □ □ □ Display of name of mechanism type and mechanism version (Bolero version) (Press the key while the display is what is shown in the left column to change to the servo version display.)
	Information display Mechanism servo version (USB)	S E R V : □ □ □ □ □ Display of mechanism servo table version (Press the key while the display is what is shown in the left column to display mechanism boot program version.)
	Information display Mechanism boot program version (USB)	B O O T : □ □ □ □ □ Display of mechanism boot program version (Press the key while the display is what is shown in the left column to return to the normal display.)
5	Jump procedure	Jump to No.9 and No.22 (Preset 5 → Track 22 in other track than Track 22, and Preset 5 → Track 9 in Track 22) (For linearity check)
6	Jump procedure	Jump to No. 15. Set the volume value to "25". (For 20Hz 0dB DC protection false-operation FCT checking)

■ Audio-related test mode

Procedure	Note
Press the [AUD] key (main unit) Press the [AUD] and [*] keys (Remote control)	Enter audio adjustment mode (the initial item should be Fader, and then, Balance → Bass Level → Middle Level → Treble Level → SW Level → System Q → V-Offset → LPF Sub Woofer

TEST MODE

About audio adjustment items (include both Audio Function Mode and Audio Setup Mode)

Procedure	Item	Procedure	Description
For item forwarding procedure, press [AUD] key and [FM] key	Fader	[VOL] knob and [◀◀ / ▶▶] key	Adjust to 3 steps of R15 ↔ 0 ↔ F15. (Default value: 0)
	Balance	[VOL] knob and [◀◀ / ▶▶] key	Adjust to 3 steps of L15 ↔ 0 ↔ R15. (Default value: 0)
	Bass Level	[VOL] knob and [◀◀ / ▶▶] key	Adjust to 3 steps of -8 ↔ 0 ↔ +8. (Default value 0)
	Middle Level	[VOL] knob and [◀◀ / ▶▶] key	Adjust to 3 steps of -8 ↔ 0 ↔ +8. (Default value 0)
	Treble Level	[VOL] knob and [◀◀ / ▶▶] key	Adjust to 3 steps of -8 ↔ 0 ↔ +8. (Default value 0)
	LPF Sub woofer	[VOL] knob and [◀◀ / ▶▶] key	Adjust to 2 steps of 80Hz ↔ Through. (Default value: Through) (Only in models with Sub Woofer output)
	Volume Offset	[VOL] knob and [◀◀ / ▶▶] key	Adjust to 3 steps of -8 ↔ 0 ↔ +8 (Default value: 0 and only in the internal AUX model)

Procedure	Note
Press and hold [MENU] key	Switch Bass Boost (Note: Front key functions as MENU.)

■ [ATT] key operation

Procedure	Note
In the TUNER source, press [DISP] key	ATT OFF/ON

■ MENU-related test mode

Procedure	Note
Press the [MENU] key (main unit) Press the [DNPP/SBF] and [DIRECT] keys (Remote control)	Continuous forwarding by remote control is prohibited

■ Backup current measurement

Procedure	Note
While ACC OFF (Back Up ON), Reset	MUTE terminal is OFF after 2 seconds, not after 15 seconds. (During this time, the CD mechanism does not function.)

■ PREOUT switching

Procedure	Note
In the STANDBY source, press and hold [AUD] key for 1 second or longer	Switches PREOUT

■ Fluorescent indicator (ED1) short check

Procedure	Note
In the STANDBY source, press [AM] key	All lights are off → Turns on odd and even terminals alternatively every 125ms (terminals that have a maximum number of grids) → Turns on only the odd terminals → Turn on only the even terminals →

■ Clearing CD mechanism information / Service information / DC offset error information (Clearing E2PROM data)

Status	Display	Description
While pressing and holding [2] key and [5] key, reset-start.	[C] [L] [R] [] [O] [] [] [] []	At normal termination
	[C] [L] [R] [] [X] [] [] [] []	At abnormal termination

TEST MODE

While “----” is displayed, power can be ON for 30 minutes. This mode is cancelled by resetting. (The last screen will not be retained.)
 Data to be cleared is shown below.

CD mechanism information	CD mechanism error log display
	Displays CD loading error data
	Displays CD EJECT error data
	Displays CD time code count error data (missing count)
	Displays CD time code count error data (count not updated)
Service Information	Power ON time display
	CD operation time display
	CD EJECT times display
	PANEL open/close times display
	Forced Power OFF information display
DC offset error information	DC offset error 1 display (Provides information on whether there is an improper connection or another error)
	DC offset error 2 display (Provides information on the number of capacitor leaks)

■ Clearing DC offset error detection data (E2PROM data clearing)

Procedure	Note
While pressing and holding [3] key and [6] key, reset-start.	Entering DC offset error display mode.

Procedure	Display	Description
Press and hold the [3] and [6] keys, and reset-start	D C □ □ E R R □ □ □	When DC offset error is detected (when either one of capacitors is leaking, or an improper connection or another error is detected)
	D C □ □ O K □ □ □ □	When DC offset error is not detected (when none of capacitors leak, no improper connection or other error is detected)
1	D C 1 □ E R R □ □ □	When improper connection or other DC offset errors are detected.
	D C 1 □ O K □ □ □ □	When improper connection or other DC offset errors are not detected.
■1	D C 1 □ O K □ □ □ □	When detecting improper connection or other DC offset errors, clears detection data. (Clear E2PROM)
2	D C 2 □ 4 □ □ □ □ □	When detecting capacitor leak, provides information on the number of capacitor leaks. (0~4)
■2	D C 2 □ 0 □ □ □ □ □ □	When detecting capacitor leak, clears the number of capacitor leaks. (Clear E2PROM)

This mode is cancelled by resetting. (The last screen will not be retained.)

■ Security

• Forced Power ON mode

Procedure	Note
While pressing and holding [MENU] key and [4] key, reset-start.	While “----” is displayed, power can be turned ON for only 30 minutes. After 30 minutes, can only be recovered by resetting.

TEST MODE

• Method of clearing the security code

Procedure	Display	Description
Press [▶▶] key for 3 seconds or longer while pressing [DISP] key	C O D E : - - - -	Carry out the procedure while “- - - -” is being displayed.
	C O D E : □ □ □ □	“- - - -” disappears.
Press the remote control [5] key 2 times, display “K”, and press [▶▶] key.	C O D E : K □ □ □	
Press the remote control [2] key 3 times, display “C”, and press [▶▶] key.	C O D E : K C □ □	
Press the remote control [2] key 1 time, display “A”, and press [▶▶] key.	C O D E : K C A □	
Press the remote control [7] key 2 times, display “R”, and press [▶▶] key.	C O D E : K C A R □	
	A P P R O V E D	Security cancelled. (If wrong character is input, code request mode is displayed.)

■ ROM data transfer

Procedure	Display	Description
While pressing and holding [1] key and [3] keys, reset-start	□ □ □ □ : □ □ □ □	All lights ON.
Press [MENU] key (MENU)	R O M □ R E A D □	MENU mode
Press [◀◀] key or [▶▶] key	R O M □ R E A D □	Front-end (A1) → Mother unit (X34-). Data transfer processing.
	R O M □ W R T □	Mother unit (X34-) → Front-end (A1). Data transfer processing.
(In the above ROM READ status), ■ [4] key for 2 seconds or longer	R E A D □ □ □ □	Front-end (A1) → Mother unit (X34-). ROM data is being transferred.
	R E A D □ O K □	Front-end (A1) → Mother unit (X34-). ROM correction transfer, security and other data is OK.
	R E A D □ O K 2 □	Front-end (A1) → Mother unit (X34-). Transfer of security and other data is OK.
	R E A D □ N G □	Front-end (A1) → Mother unit (X34-). ROM data transfer is NG.
(In the above ROM WRT status), ■ [4] key for 2 seconds or longer	W R T □ □ □ □	Mother unit (X34-) → Front-end (A1). ROM data is being transferred.
	W R T □ □ O K □	Mother unit (X34-) → Front-end (A1). ROM correction, security and other data transfer is OK.
	W R T □ □ O K 1 □	Mother unit (X34-) → Front-end (A1). ROM correction data transfer is OK.
	W R T □ □ O K 2 □	Mother unit (X34-) → Front-end (A1). Transfer of security and other data is OK.
	W R T □ □ N G □	Mother unit (X34-) → Front-end (A1). ROM data transfer is NG
(In every status of ROM data) Press [MENU] key	□ □ □ □ : □ □ □ □	Clear from ROM correction data transfer processing

This function is used, in case of front-end (A1) failure, to transfer E2PROM data (ROM correction, security and other data) inside of the front-end (A1) to E2PROM of the data saving mother unit (X34-), and this function is also used, after the replacement of the front-end (A1), to transfer the data that have been saved in the E2PROM of the data saving mother unit (X34-) to the new front-end (A1). Refer to the following “ROM Data Transfer Process” pages for the details of security and other data”.

ROM DATA TRANSFER PROCESSES

When replacing front-end (A1) of mother unit (X34-), or when adding or replacing ROM correction (program correction with ROM IC (IC10)), the following activities are required.

■ Overview

When replacing front-end (A1) in the model where ROM correction and security data have been written into E2PROM, included in the front-end (A1) pack, the transfer function of the E2PROM data itself in the replaced front-end (A1) is required.

This function in the above system configuration is used to allow for complete replacement of the front-end at any service center.

■ Overview of specifications

Procedures for replacement are as follows: To install the E2PROM to the mother unit (X34-), and replace front-end (A1) with new front-end after copying the data in the E2PROM (such as ROM correction data and other data) in the front-end (A1) to the mother unit (X34-) by operating the system, and then copy the data (such as ROM correction data and other data) into the mother unit to the E2PROM of the front-end (A1), operating the main body.

Tuner adjustment data was inserted during the tuner pack manufacturing, and data will not be transferred because front-end (A1) is built-in.

In addition, tuner adjustment data for new front-end (A1) is supplied as a service part in which data was inserted.

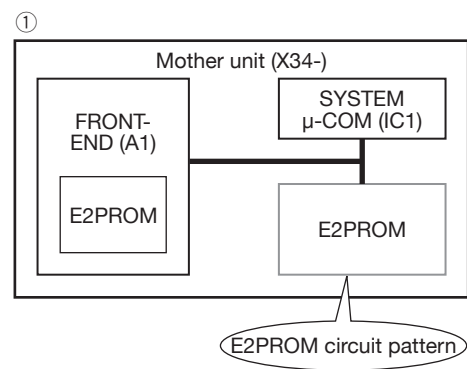
■ Data to be copied

- ROM correction data
- Other data
 - Security data
 - DEMO MODE ON/OFF status
 - POWER ON time (For maintenance)
 - Playback time (For maintenance)
 - EJECT count (For maintenance)
 - Panel open/close count (For maintenance)
 - CD I2C status (For maintenance)
 - CD offset error code (For maintenance)
 - CD sound skips count (For maintenance)
 - CD time code not updated count (For maintenance)
 - CD load switch errors count (For maintenance)
 - CD ejection errors count (For maintenance)
 - DC offset error (For maintenance)
 - Forced Power OFF information (For maintenance)
 - Serial number (For maintenance)
 - E2PROM data check data (For internal check)

■ Operation procedure

Operation procedure is different depending on the conditions. Proceed with the appropriate operation procedure depending on the specific condition.

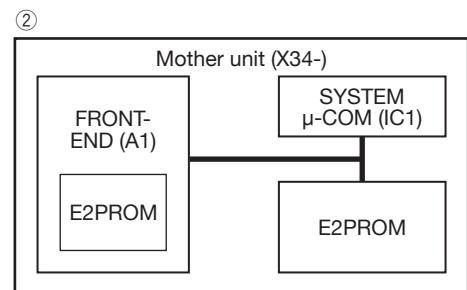
1. In case of replacing front-end (A1) without an applicable ROM correction.
2. In case of replacing front-end (A1) with an applicable ROM correction.
3. In case of applying new ROM correction at the same time when front-end (A1) is replaced. (No ROM correction has been carried out.)



Install new E2PROM.

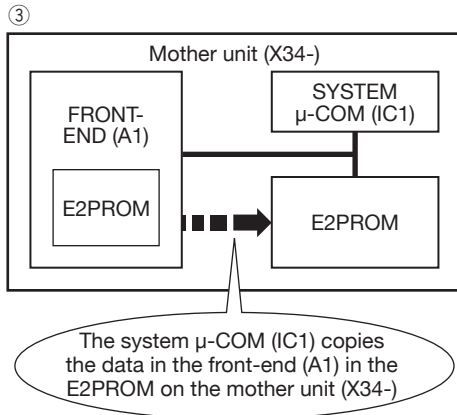
Install E2PROM containing no data, in case of [1] and [2].

In case of [3], install maintenance E2PROM with an applicable ROM correction program.



ROM DATA TRANSFER PROCESSES

Turn power on.
 Press and hold the [1] and [3] keys and press reset button.
 (Enter the system in the test mode.)
 Press [B.BOOST] key. (ROM data System enters data transfer mode.)
 Press [◀◀] (or ▶▶) . (Select READ)
 Press [▶] key for 1 second or longer. (Data transfer)

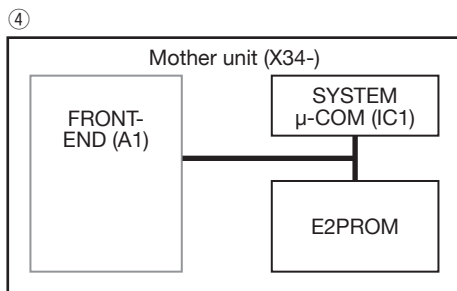


In case of [2]
 READ OK R-OK

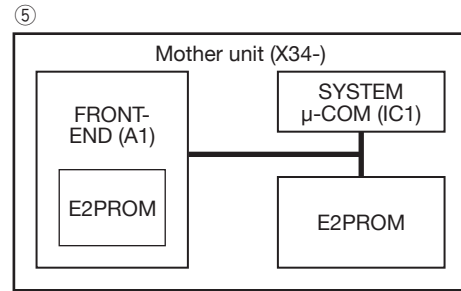
In case of [1] or [3]
 READ OK2 R-O2



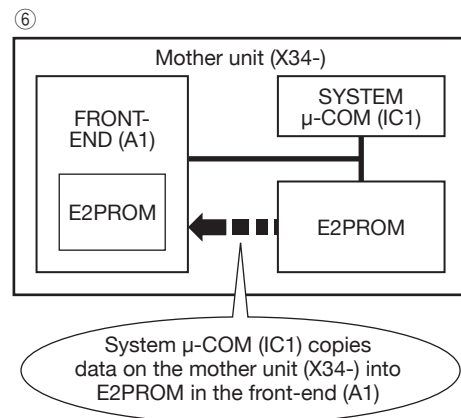
Press [▶] key. (Exit ROM data transfer mode.)
 Turn power off.
 Remove front-end (A1).



Install new front-end (A1).
 No ROM correction or other data status.



Turn power on.
 Press and hold the [1] and [3] keys and press reset button.
 (Enter the system in the test mode.)
 Press [B.BOOST] key. (Start transferring ROM data.)
 Press [◀◀] (or ▶▶) . (Select WRT)
 Press [▶] key for 1 second or longer. (Data transfer)



In case of [2] or [3]
 WRT OK W-OK

In case of [1]
 WRT OK2 W-O2

Press [▶] key. (Exit ROM data transfer mode.)

ROM DATA TRANSFER PROCESSES

4. In case of applying a new ROM correction when front-end (A1) is replaced (There is ROM correction data.)
5. In case of applying a new ROM correction even when front-end (A1) is not replaced.

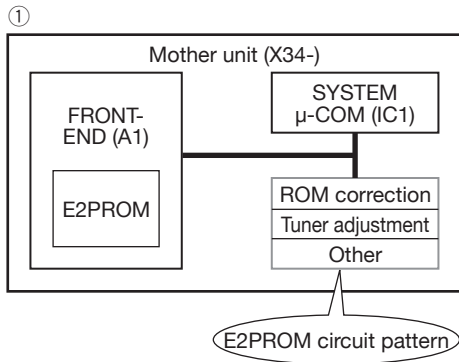
Turn power on.

Press and hold the [1] and [3] keys, press reset button. (Enter the system in the test mode.)

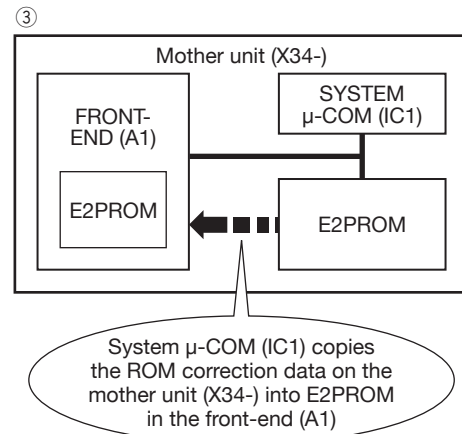
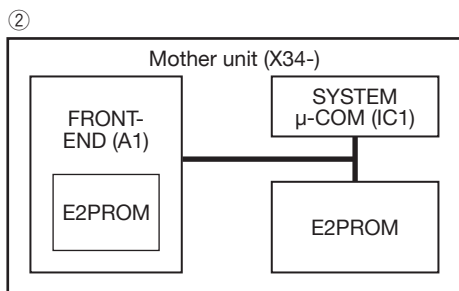
Press [B.BOOST] key. (ROM data System enters data transfer mode.)

Press [◀◀] (or ▶▶) . (Select WRT)

Press [▶] key for 1 second or longer. (Data transfer)



Install new E2PROM. (E2PROM that has been updated with ROM correction)



In case of [4]

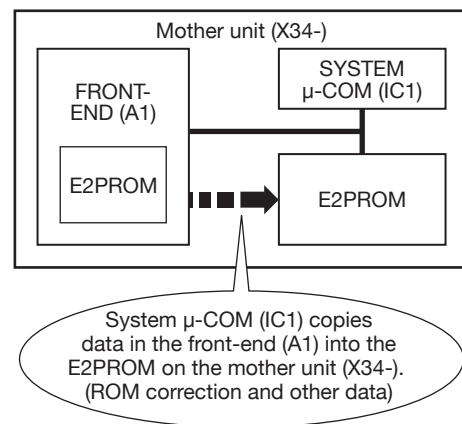


In case of [5]

Press [▶] key. (Exit ROM data transfer mode.)

Press [◀◀] (or ▶▶) . (Select READ)

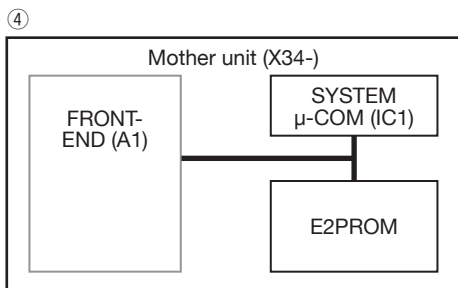
Press [▶] key for 1 second or longer. (Data transfer)



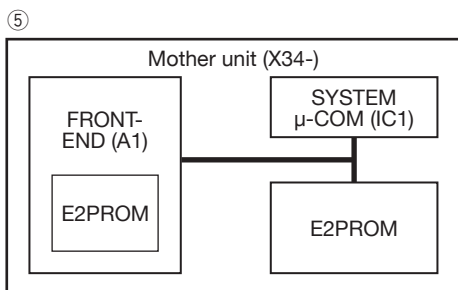
ROM DATA TRANSFER PROCESSES

Press [▶|] key. (Exit ROM data transfer mode.)
 Turn power off.

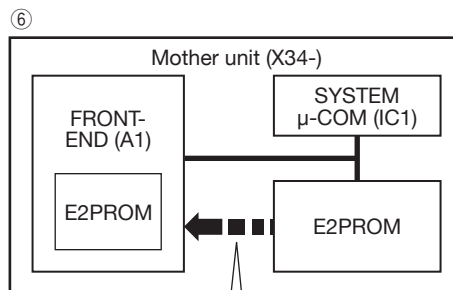
Remove front-end (A1).



Install new front-end (A1).
 No ROM correction or other data status.



Turn power on.
 Press and hold the [1] and [3] keys press reset button. (Enter the system in the test mode.)
 Press [B.BOOST] key. (Enter the system in ROM data transfer mode.)
 Press [◀◀] (or [▶▶] .) (Select WRT)
 Press [▶|] key for 1 second or longer. (Data transfer)



System μ-COM (IC1) copies data on the mother unit (X34-) into E2PROM in the front-end (A1)



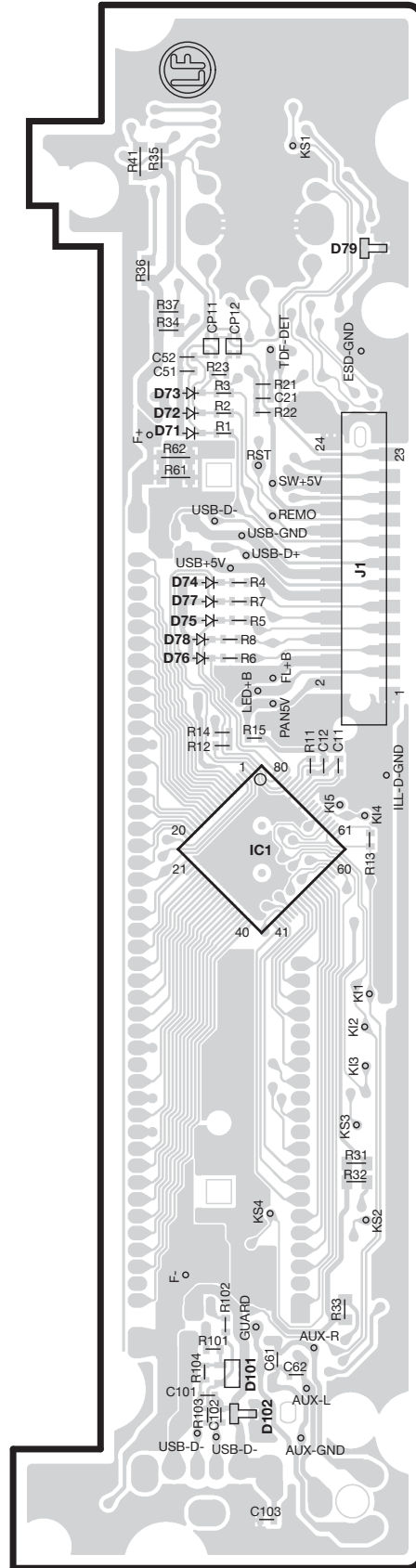
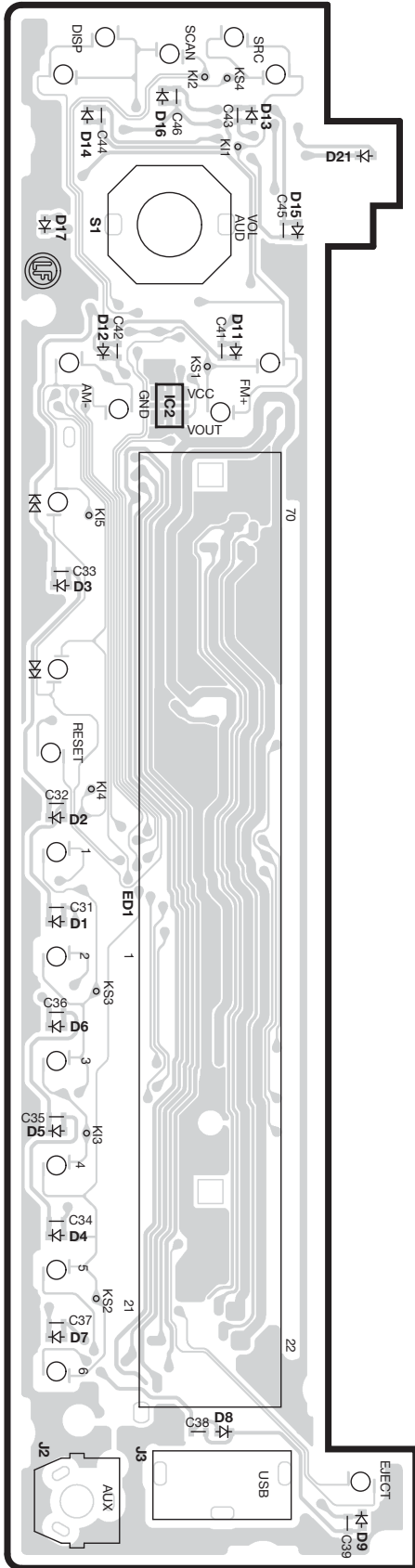
Press [▶|] key. (Exit ROM data transfer mode.)

PC BOARD (COMPONENT SIDE VIEW)

(FOIL SIDE VIEW)

**SWITCH UNIT
X16-647x-xx (J76-0551-02)**

**SWITCH UNIT
X16-647x-xx (J76-0551-02)**



X16-647x-xx

Ref. No.	Address
IC2	3A

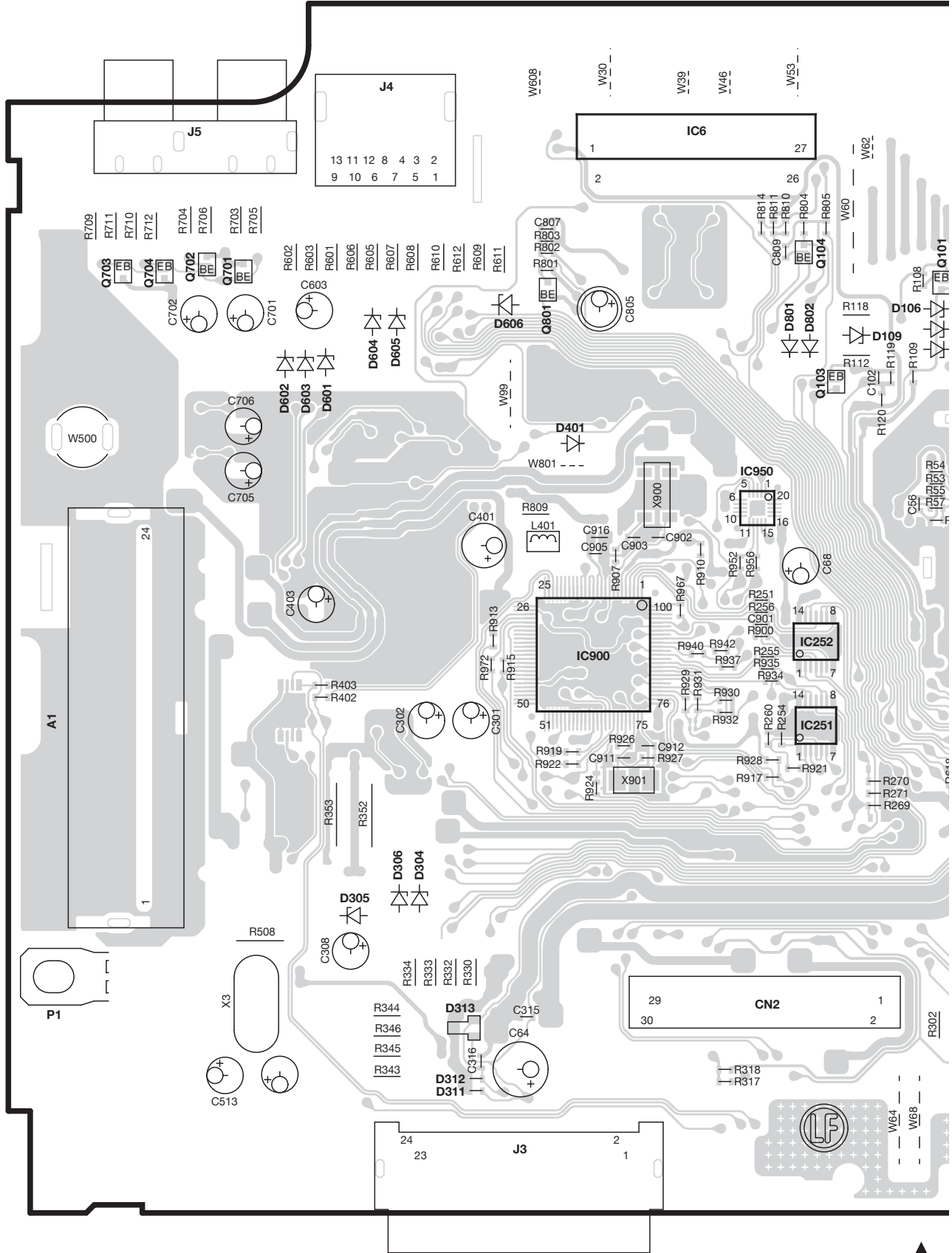
X16-647x-xx

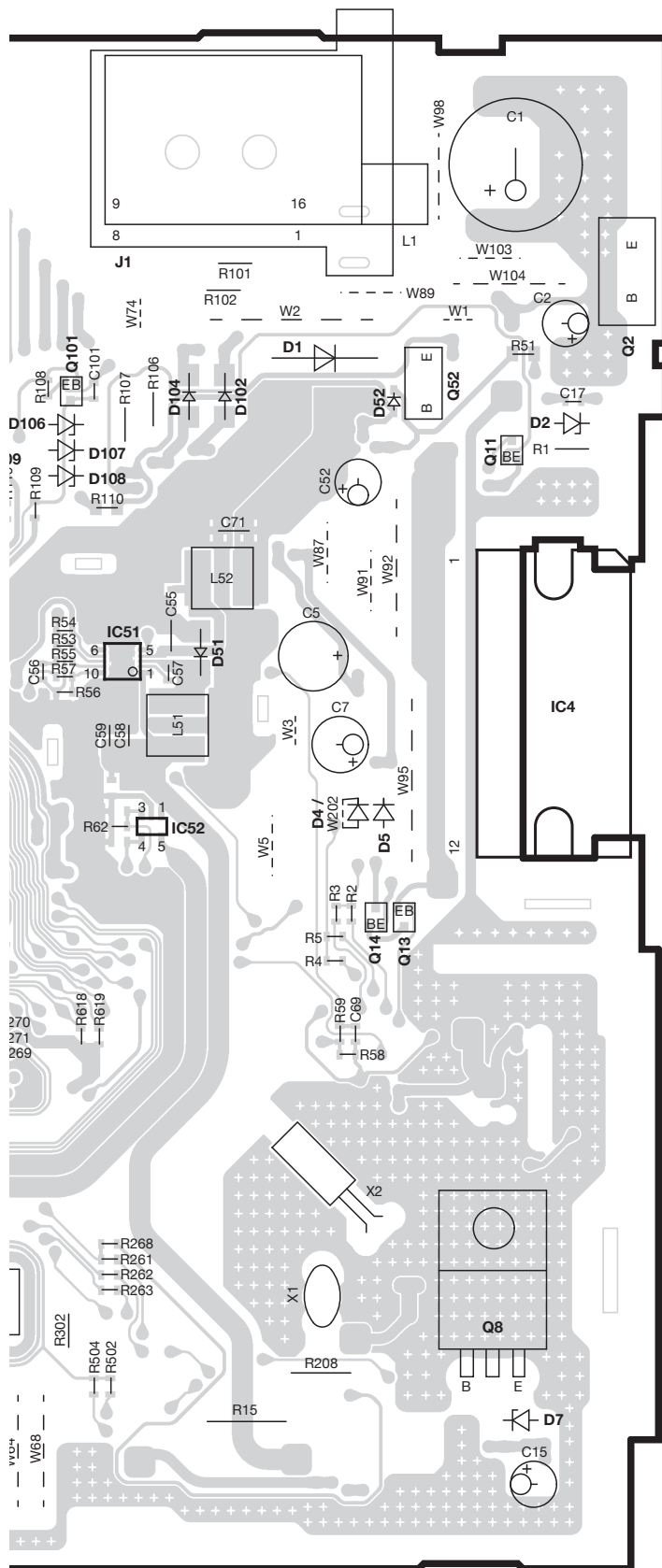
Ref. No.	Address
IC1	4D

Refer to the schematic diagram for the values of resistors and capacitors.

PC BOARD (COMPONENT SIDE VIEW)

ELECTRIC UNIT X34-623x-xx (J76-0550-12)





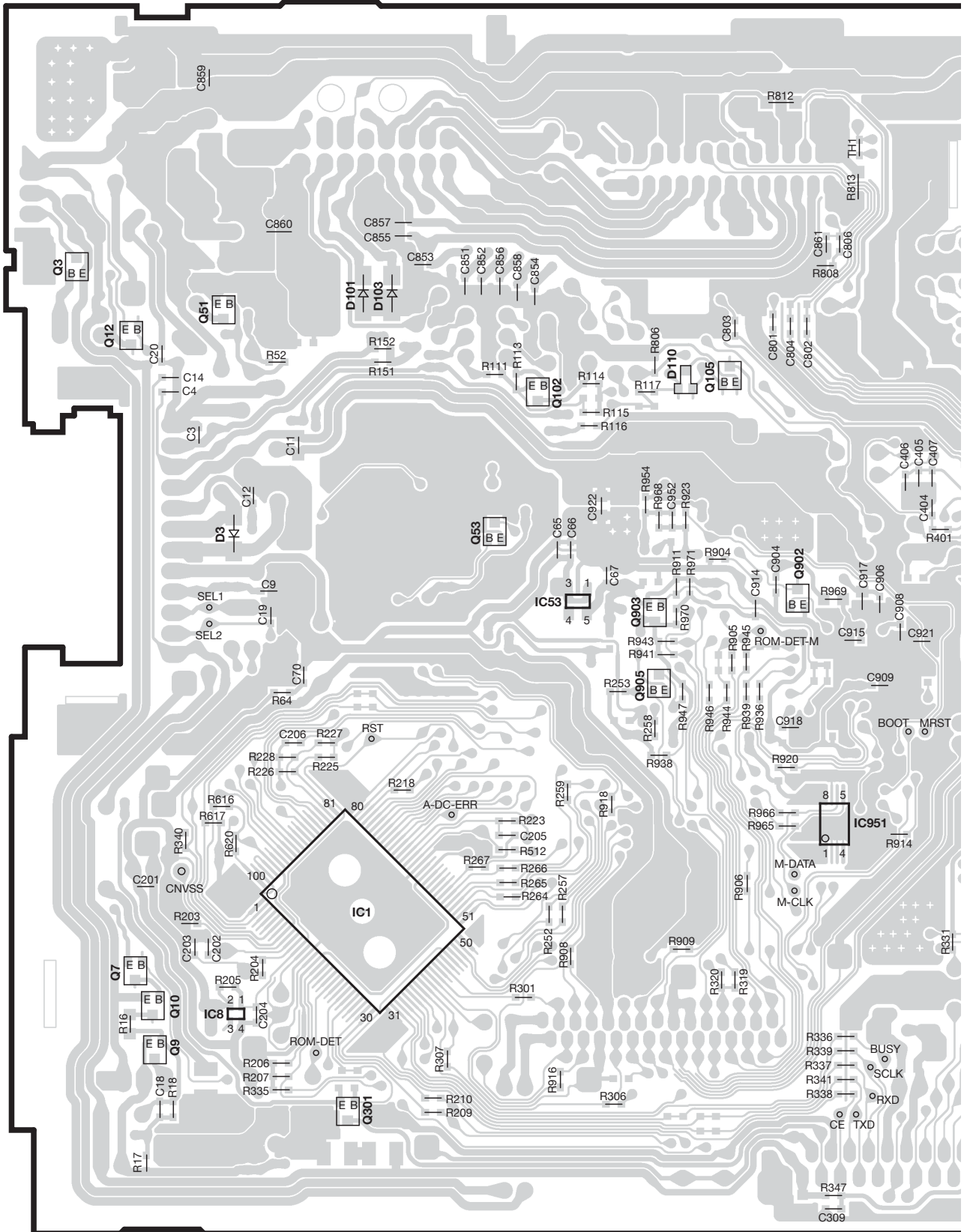
X34-623x-xx

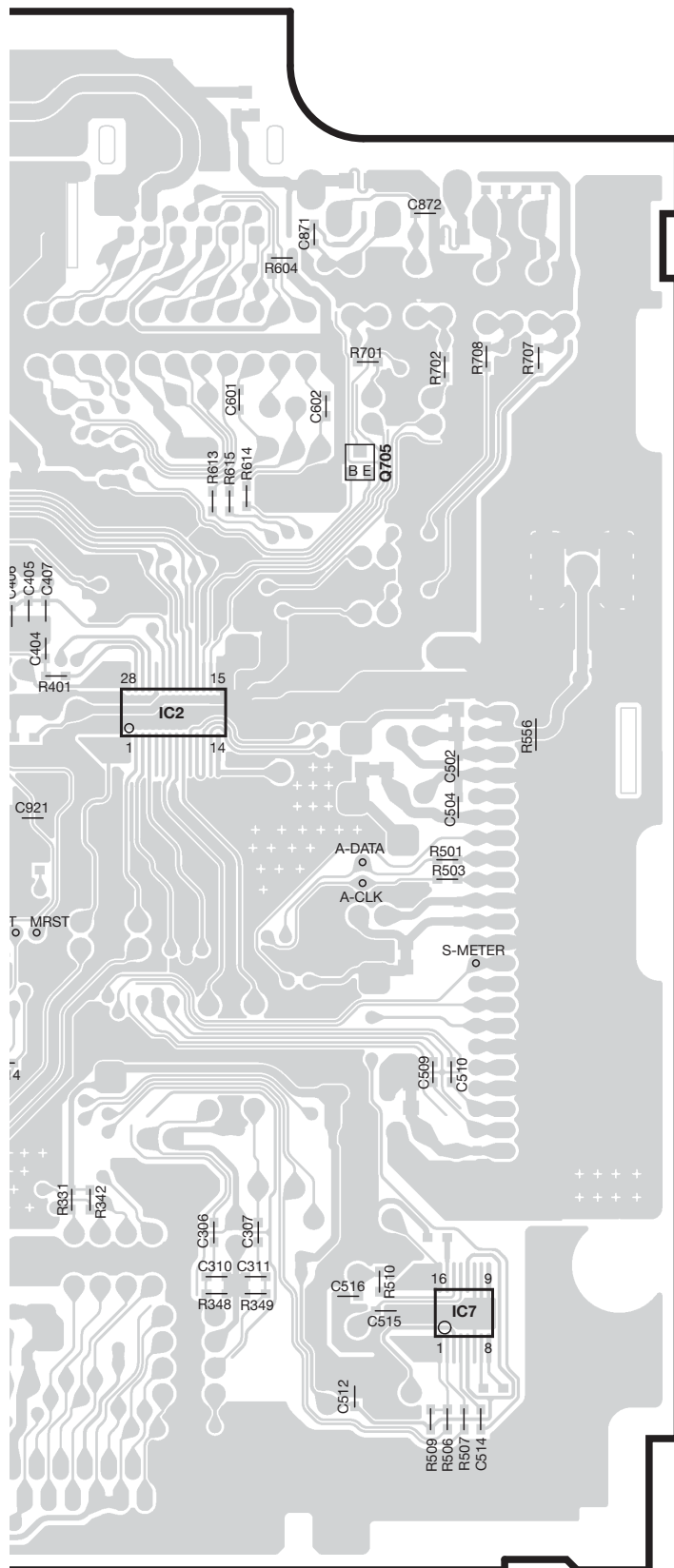
Ref. No.	Address
IC4	4L
IC6	2I
IC51	3K
IC52	4K
IC251	5J
IC252	4J
IC900	4I
IC950	3J
Q2	2M
Q8	6L
Q11	3L
Q52	3L
Q101	3K
Q103	3J
Q104	3J
Q701	3G
Q702	3G

Refer to the schematic diagram for the values of resistors and capacitors.

PC BOARD (FOIL SIDE VIEW)

ELECTRIC UNIT X34-623x-xx (J76-0550-12)





X34-623x-xx

Ref. No.	Address
IC1	5R
IC2	4U
IC7	6V
IC8	6Q
IC53	4S
Q3	3P
Q7	6Q
Q9	6Q
Q10	6Q
Q12	3Q
Q51	3Q
Q53	4R
Q102	3S
Q105	3S
Q301	6R
Q705	3V
Q902	4T
Q903	4S
Q905	4S

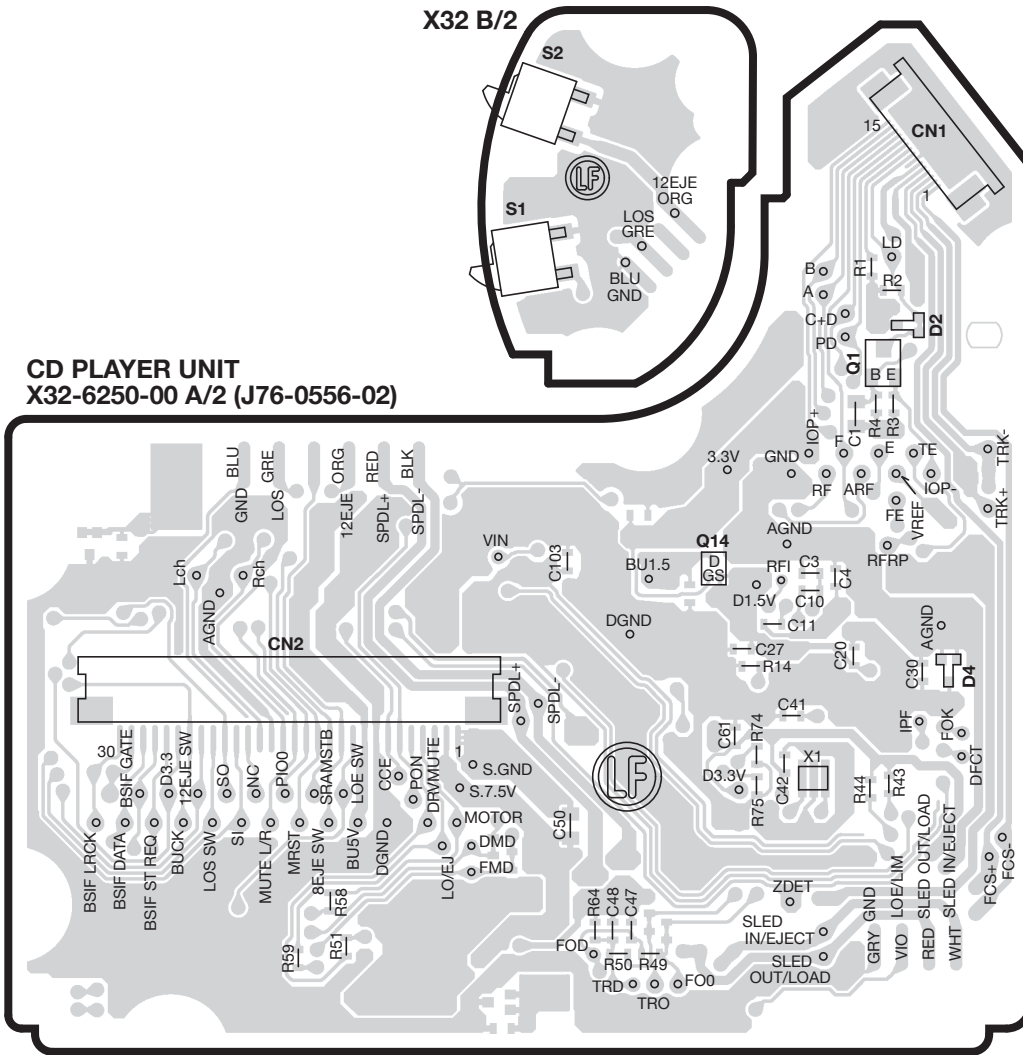
Refer to the schematic diagram for the values of resistors and capacitors.

KDC-W4044UA/W4044UAY/W4044UG/W4044UGY
KDC-W413UA/W413UAY/W4544U/W4644UY

PC BOARD (COMPONENT SIDE VIEW)

X32 B/2

CD PLAYER UNIT
X32-6250-00 A/2 (J76-0556-02)

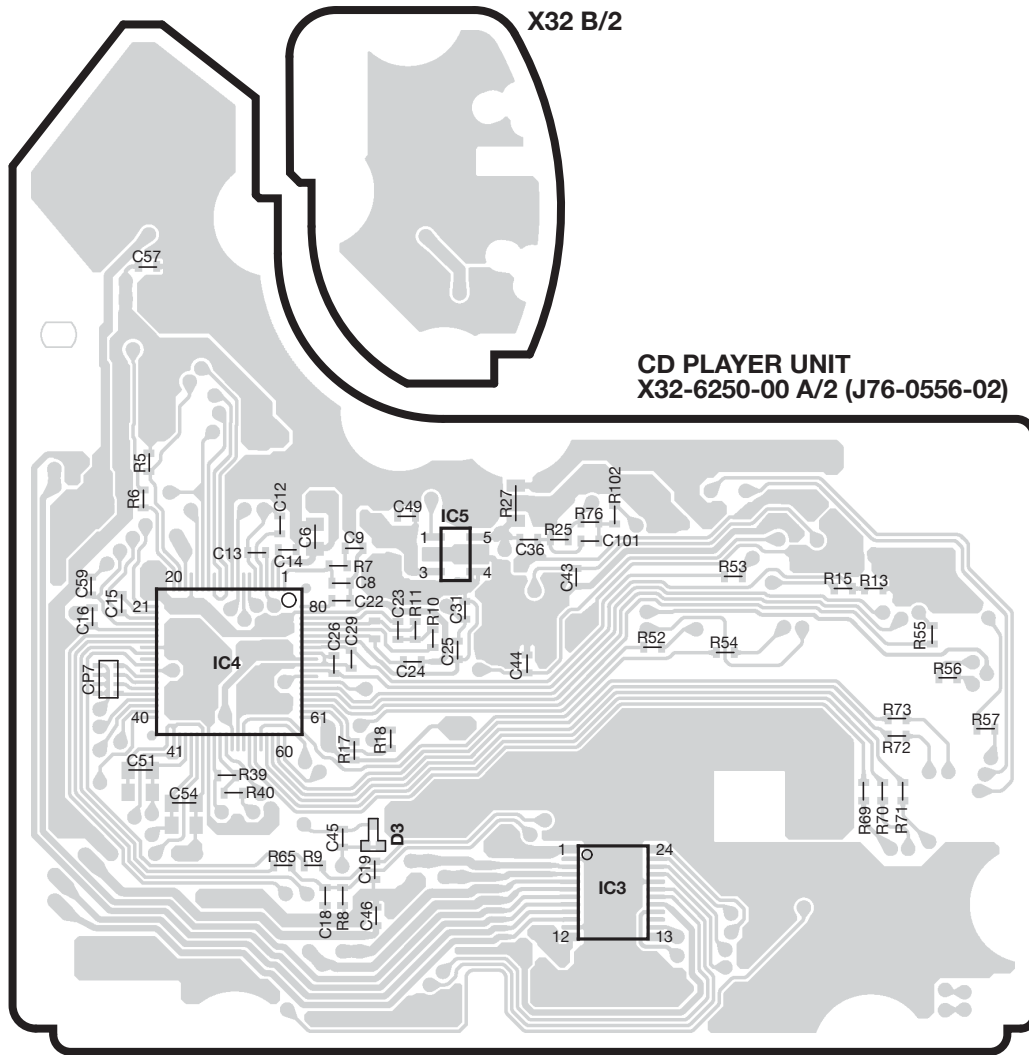


X32-6250-00

Ref. No.	Address
Q1	2AC
Q14	3AC

Refer to the schematic diagram for the values of resistors and capacitors.

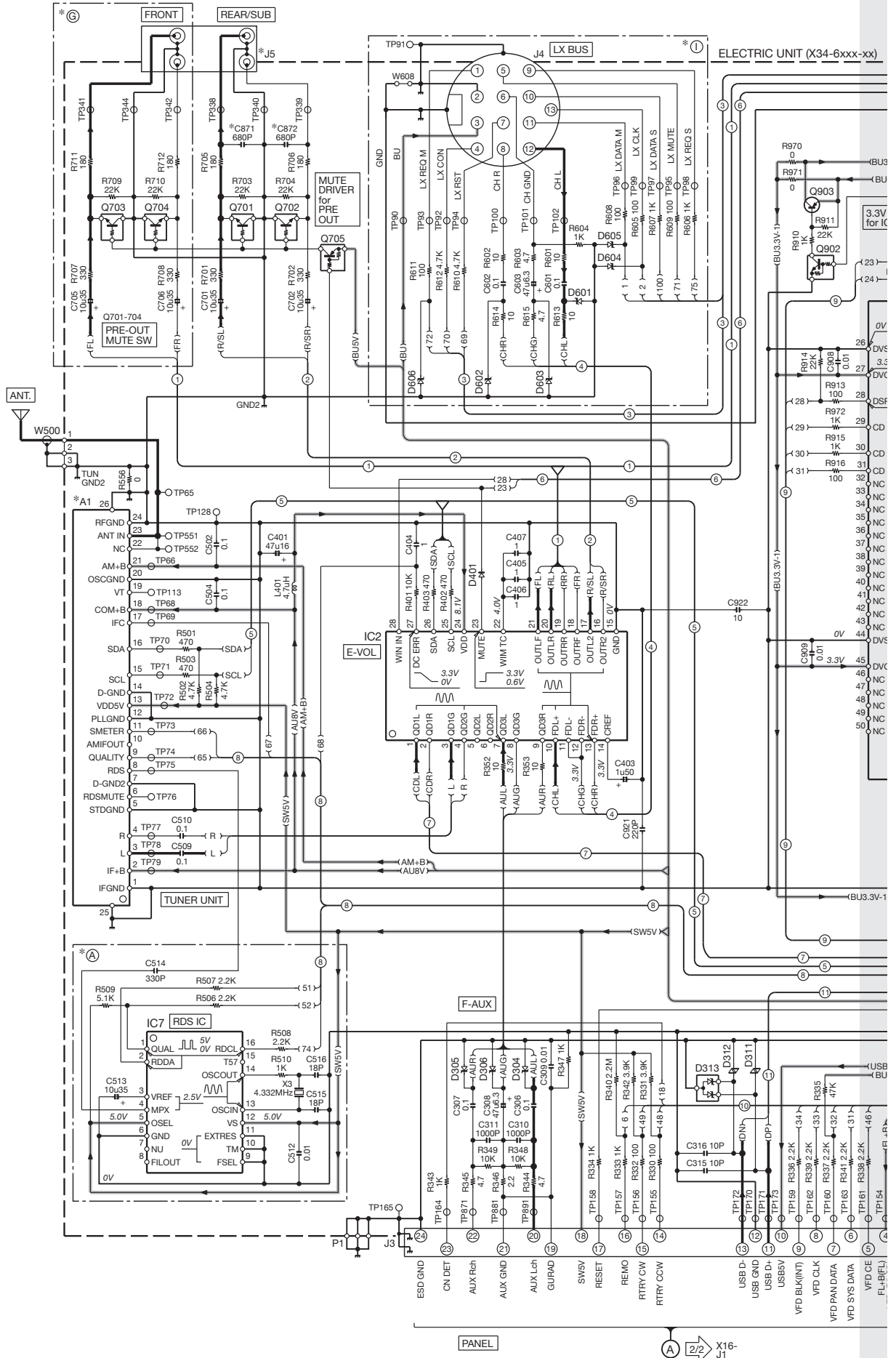
PC BOARD (FOIL SIDE VIEW)



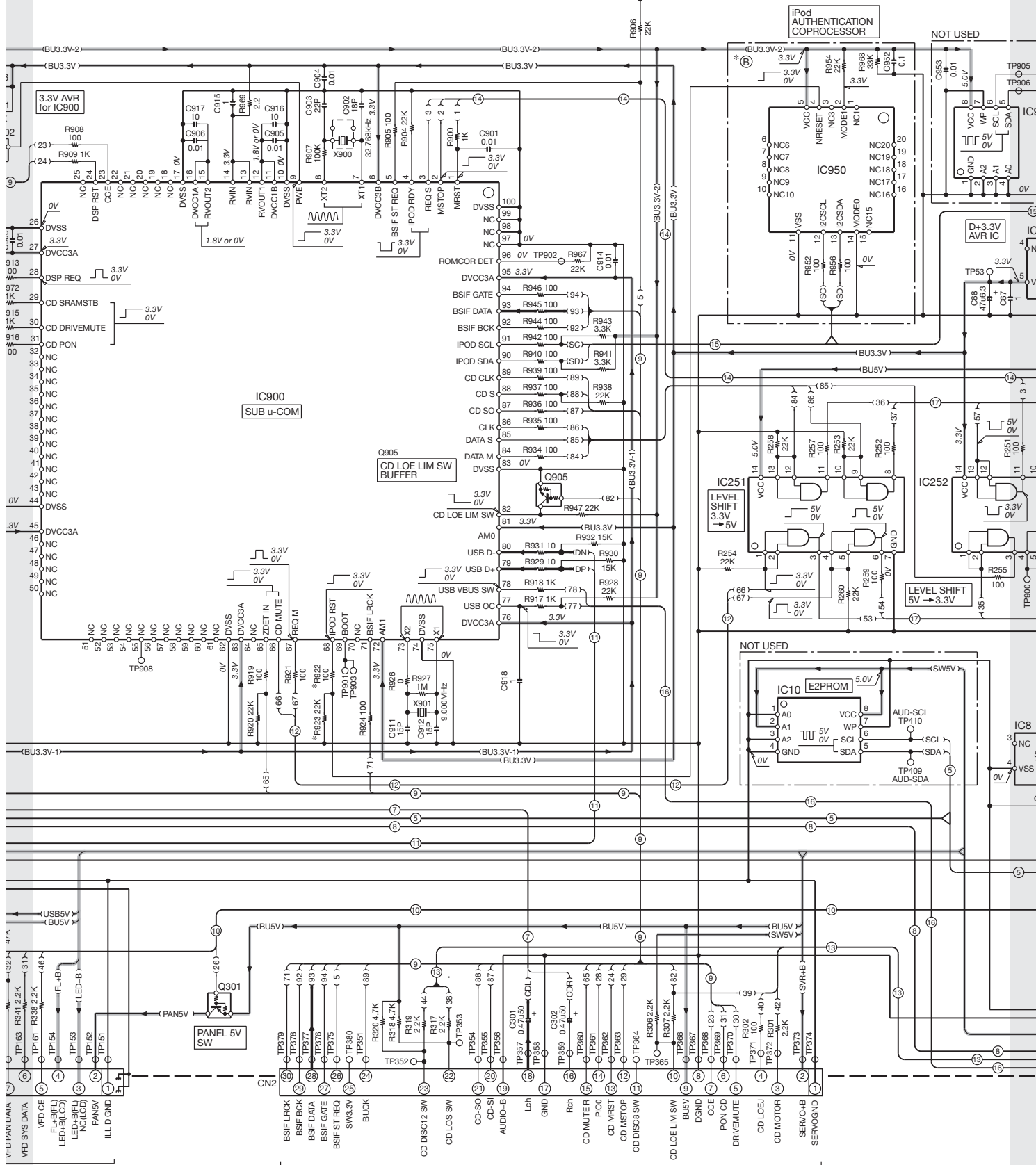
X32-6250-00

Ref. No.	Address
IC3	4AG
IC4	3AF
IC5	3AG

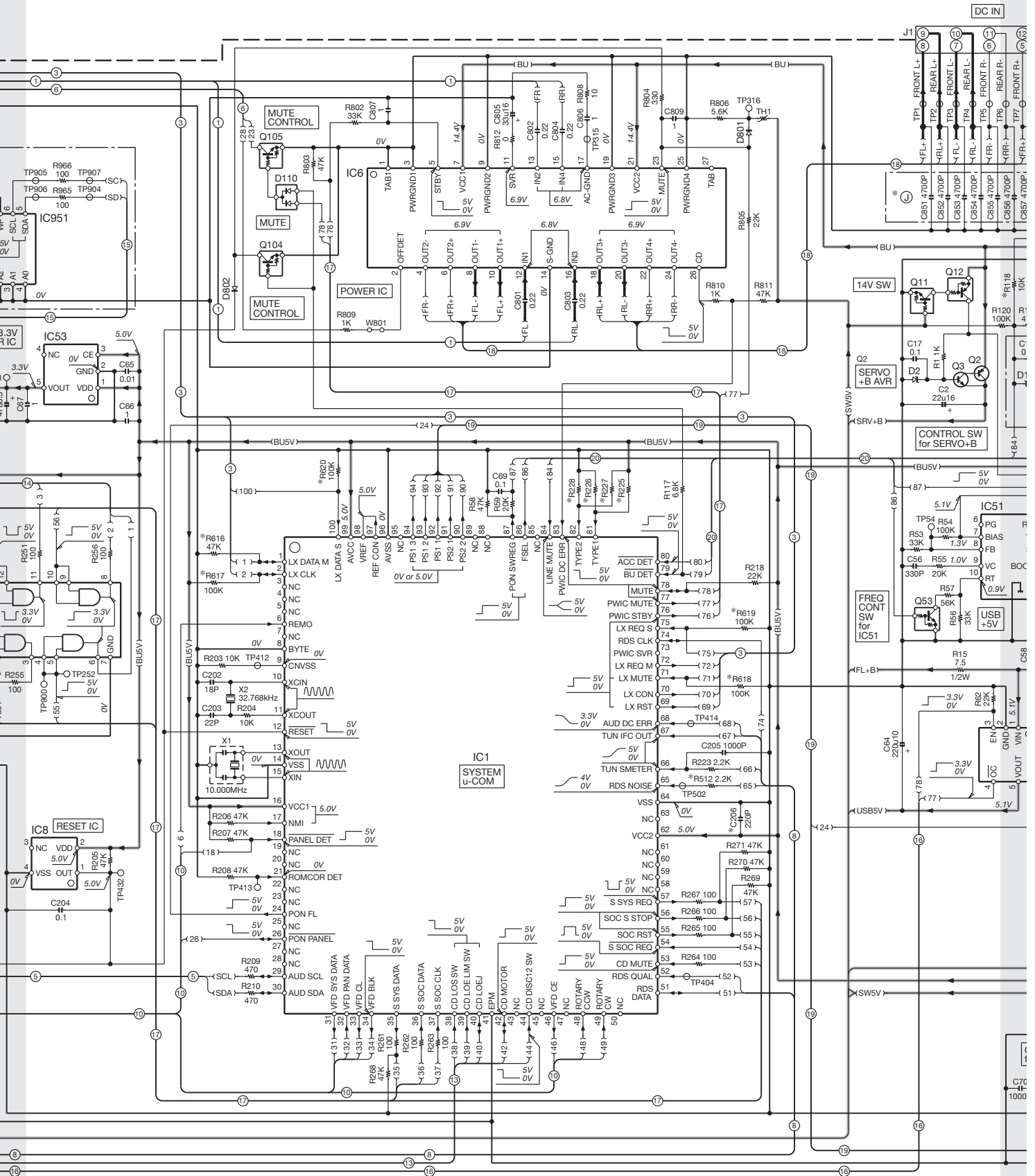
Refer to the schematic diagram for the values of resistors and capacitors.



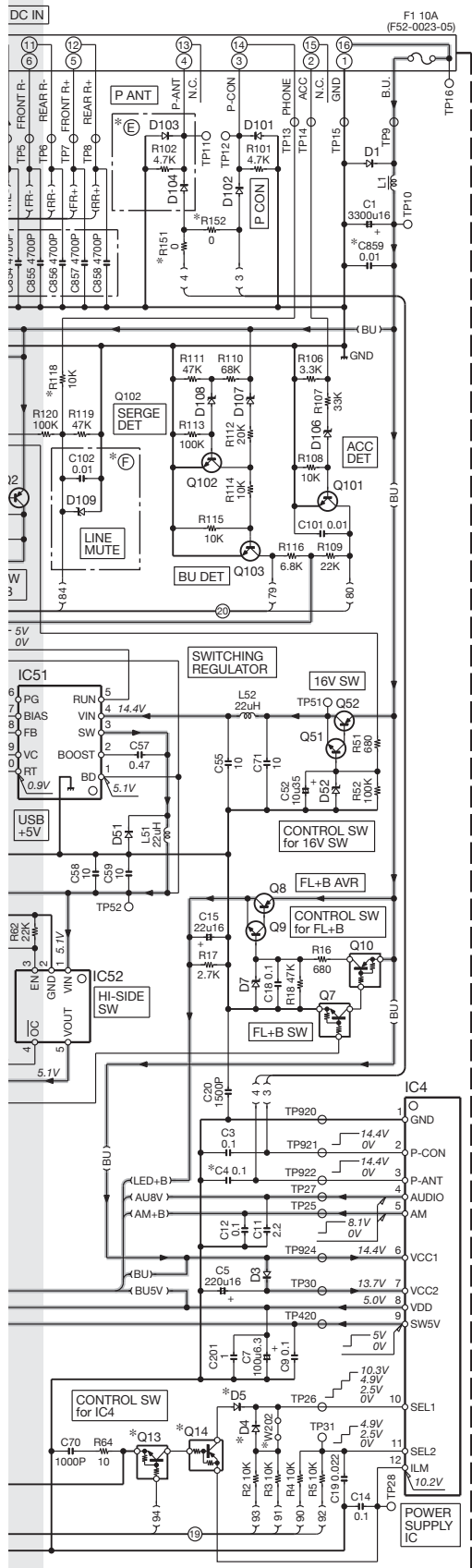
6xxx-xx)



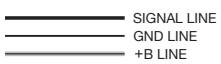
to CD MECHA.



KDC-W4044UA/W4044UAY/W4044UG/W4044UGY
KDC-W413UA/W413UAY/W4544U/W4644UY



Y/W4044UG/W4044UGY/W413UA/W413UAY/W4544U/W4644UY (1/2)



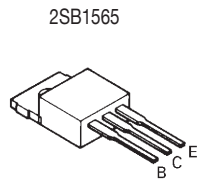
- IC1 : 30622MGPB72FP
- IC2 : E-TDA7719
- IC4 : BD4914-V4
- IC6 : F-TDA7851A
- IC7 : TDA7478AD
- IC8 : S-80836CNNB-J
- IC10 : NOT USED
- IC51 : LT3684EMSE
- IC52 : BD6538G
- IC53 : R1114N331B-TR
- IC251 : 74AHC08PW
- IC252 : 74LVC08APW
- IC900 : 92CD28AF7BV2
- IC950 : MFI341S2159
- IC951 : NOT USED

- Q2,8 : 2SB1565
- Q3,9,51,101-103 : 2SC4081
- Q7,11,13 : KRC403-P
- Q10,12,14,705 : KRA303-P
- Q52 : 2SB1443
- Q53,104,105 : KRC404-P
- Q301 : KRA307-P
- Q701-704 : KRC410-P
- Q902,905 : KRC407-P
- Q903 : 2SB1689

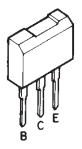
- D1 : S2V60-5009F46
- D2 : HZS9-E(A1)
- D3,101-104 : D1F60-5063
- D4,5,401,801,802 : 1SS133
- D7 : HZS11-E(C3)
- D51 : EC31QS04AG
- D52 : UDZW20(B)
- D106-108 : MTZJ6.8(B)
- D109 : HZS6-E(B1)
- D110 : KDS121-P
- D304-306,601-606 : HZS7-E(A3)
- D311,312 : AVRL1613R3FTA
- D313 : STZ6.8N

DEST. NATION	MODEL NAME	UNIT	A1	C4	C200	C971	D1	J5	Q13	Q14	R118	R151	R152	R225	R227	R228	R229	R230	W202
1333	KDC-MP242U	K1	X86-4230-01	YES	YES	YES	E63-0987-05	YES	YES	YES	YES	YES	YES	YES	YES	YES	YES	YES	YES
	KDC-MP432U	K	X86-4230-11	YES	YES	YES	E63-0987-05	YES	YES	YES	YES	YES	YES	YES	YES	YES	YES	YES	YES
	KDC-MP433U	M3	X86-4230-11	YES	YES	YES	E63-0987-05	YES	YES	YES	YES	YES	YES	YES	YES	YES	YES	YES	YES
	KDC-MP543U	M1	X86-4230-21	YES	YES	YES	E63-0987-05	YES	YES	YES	YES	YES	YES	YES	YES	YES	YES	YES	YES
	KDC-W4044UAY	E1/E2	X86-4232-71	YES	YES	YES	E63-0987-05	YES	YES	YES	YES	YES	YES	YES	YES	YES	YES	YES	YES
	KDC-W4044UGY	E5/E6	X86-4232-71	YES	YES	YES	E63-0987-05	YES	YES	YES	YES	YES	YES	YES	YES	YES	YES	YES	YES
	KDC-W413UA	E3	X86-4232-71	YES	YES	YES	E63-0987-05	YES	YES	YES	YES	YES	YES	YES	YES	YES	YES	YES	YES
	KDC-W413UAY	E7	X86-4232-72	YES	YES	YES	E63-0987-05	YES	YES	YES	YES	YES	YES	YES	YES	YES	YES	YES	YES
	KDC-W4544U	E	X86-4232-74	YES	YES	YES	E63-0987-05	YES	YES	YES	YES	YES	YES	YES	YES	YES	YES	YES	YES
	KDC-W4644UY	E4	X86-4232-74	YES	YES	YES	E63-0987-05	YES	YES	YES	YES	YES	YES	YES	YES	YES	YES	YES	YES
	KDC-MP2042U	R	X86-4230-12	YES	YES	YES	E63-0987-05	YES	YES	YES	YES	YES	YES	YES	YES	YES	YES	YES	YES
	KDC-MP7030U7U	R/R2	X86-4230-21	YES	YES	YES	E63-0987-05	YES	YES	YES	YES	YES	YES	YES	YES	YES	YES	YES	YES

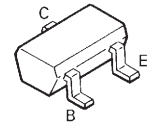
(X34-6xxx-xx)



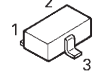
2SB1443



2SC4081



DAP202U
DA204U



CAUTION : For continued safety, replace safety critical components only with manufacturer's recommended parts (refer to parts list).

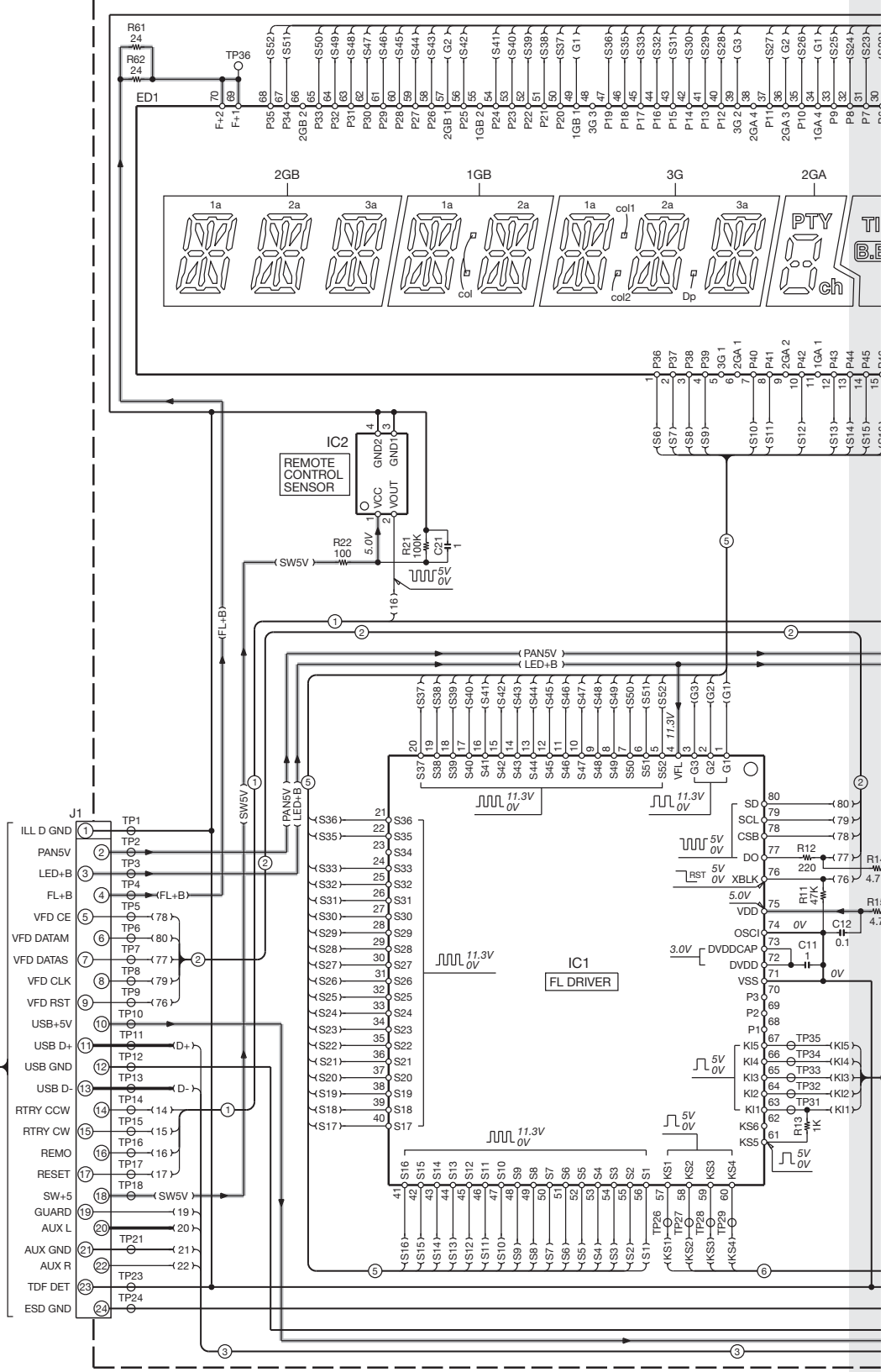
⚠ Indicates safety critical components. To reduce the risk of electric shock, leakage-current or resistance measurements shall be carried out (exposed parts are acceptably insulated from the supply circuit) before the appliance is returned to the customer.

• DC voltages are as measured with a high impedance voltmeter. Values may vary slightly due to variations between individual instruments or/and units.

ANODE CONNECTION

PIN NAME	3G	2GA,2GB	1GA,1GB
P1	—	a	B.Boost
P2	1g	1g	1g
P3	2g	2g	2g
P4	3g	3g	IN
P5	1f	1f	1f
P6	2f	2f	2f
P7	3f	3f	ST
P8	1b	1b	1b
P9	2b	2b	2b
P10	3b	3b	TI
P11	col1	PTY	col
P12	1k	1k	1k
P13	2k	2k	2k
P14	3k	3k	S1
P15	1j	1j	1j
P16	2j	2j	2j
P17	3j	3j	S8
P18	1h	1h	1h
P19	2h	2h	2h
P20	3h	3h	S2
P21	1a	1a	1a
P22	2a	2a	2a
P23	3a	3a	S3
P24	1m	1m	1m
P25	2m	2m	2m
P26	3m	3m	S4
P27	1e	1e	1e
P28	2e	2e	2e
P29	3e	3e	S9
P30	1c	1c	1c
P31	2c	2c	2c
P32	3c	3c	S10
P33	1r	1r	1r
P34	2r	2r	2r
P35	3r	3r	S11
P36	1d	1d	1d
P37	2d	2d	2d
P38	3d	3d	S16
P39	1n	1n	1n
P40	2n	2n	2n
P41	3n	3n	S17
P42	1p	1p	1p
P43	2p	2p	2p
P44	3p	3p	S12
P45	Dp	ch	RDS
P46	col2	d	S7
P47	—	c	S6
P48	—	e	S5
P49	—	q	S15
P50	—	b	S14
P51	—	f	S13

SWITCH UNIT (X16-6xxx-xx)



SWITCH UNIT (X16-6xxx-xx)

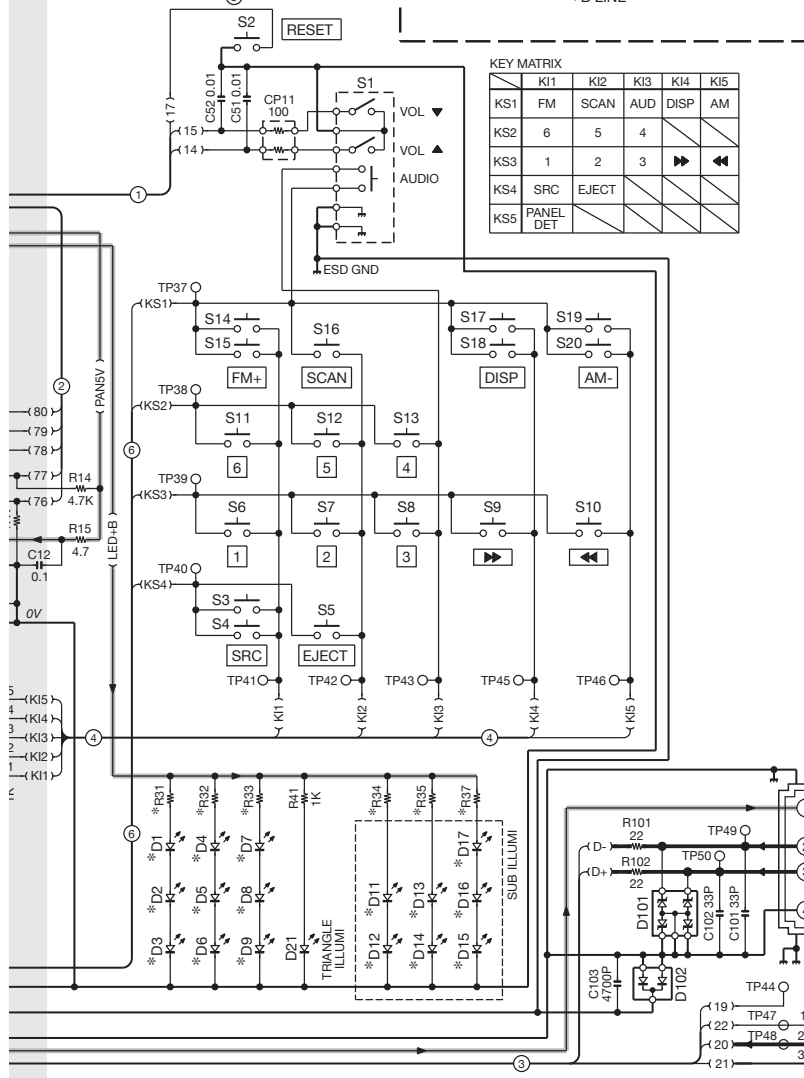
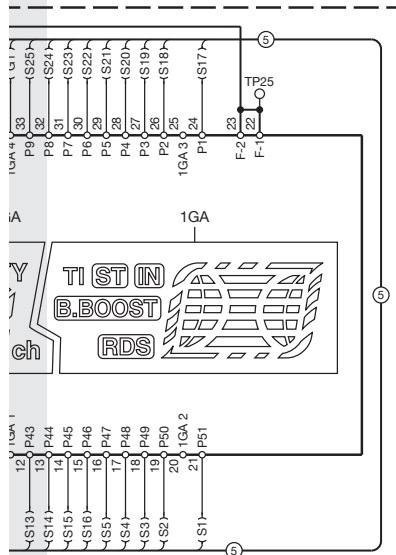
	MODEL NAME	DESTI-NATION	UNIT No.	D1-7,9	D8,11-14	D15-17	R31, 32	R33	R34, 35	R37
2009 USB ENTRY	U333	J	X16-6470-01	B30-1782-05	B30-1781-05	—	470	390	560	—
	KDC-MP242U	K1	X16-6472-71	B30-1779-05	B30-1779-05	—	470	470	750	—
	KDC-MP342U	K	X16-6470-10	B30-1779-05	B30-1781-05	—	470	390	560	—
	KDC-MP443U	M3	X16-6472-71	B30-1779-05	B30-1779-05	—	470	470	750	—
	KDC-MP5043U	M1	X16-6470-21	B30-1781-05	B30-1781-05	—	220	220	560	—
	KDC-MP543U	M2	X16-6470-21	B30-1781-05	B30-1781-05	—	220	220	560	—
	KDC-W4044UA/UAY	E1/E5	X16-6472-71	B30-1779-05	B30-1779-05	—	470	470	750	—
	KDC-W4044UG/UGY	E2/E6	X16-6472-72	B30-1780-05	B30-1780-05	B30-1780-05	470	470	750	470
	KDC-W413UA/UAY	E3/E7	X16-6472-71	B30-1779-05	B30-1779-05	—	470	470	750	—
	KDC-W4544U	E	X16-6470-10	B30-1779-05	B30-1781-05	—	470	390	560	—
KDC-W4644UY	E4	X16-6470-10	B30-1779-05	B30-1781-05	—	470	390	560	—	
VISTEON	CKDCMP2042U	R	X16-6693-20	B30-1779-05	B30-1779-05	—	470	470	750	—
	CKDCMP7079DU	R1	X16-6693-21	B30-1780-05	B30-1780-05	B30-1780-05	470	470	750	470
	CKDCMP7079TU	R2	X16-6693-22	B30-1534-05	B30-1534-05	B30-1534-05	560	560	820	560

ED1 : 3-BT-262N
 IC1 : BU9754KV-E2
 IC2 : PIC95603

D1-7,9 : *
 D8,11-14 : *
 D15-17 : *
 D21 : B30-1779-05
 D101 : FTZ6.8E
 D102 : DA204U

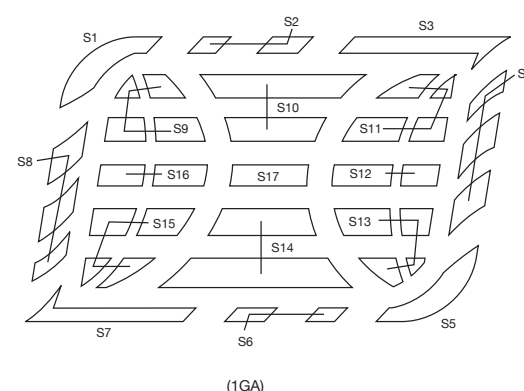
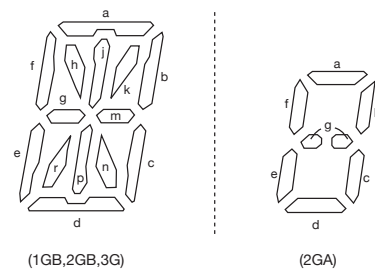
CAUTION : For continued safety, replace safety critical components only with manufacturer's recommended parts (refer to parts list).
 Δ Indicates safety critical components. To reduce the risk of electric shock, leakage-current or resistance measurements shall be carried out (exposed parts are acceptably insulated from the supply circuit) before the appliance is returned to the customer.

• DC voltages are as measured with a high impedance voltmeter. Values may vary slightly due to variations between individual instruments or/and units.



KEY MATRIX

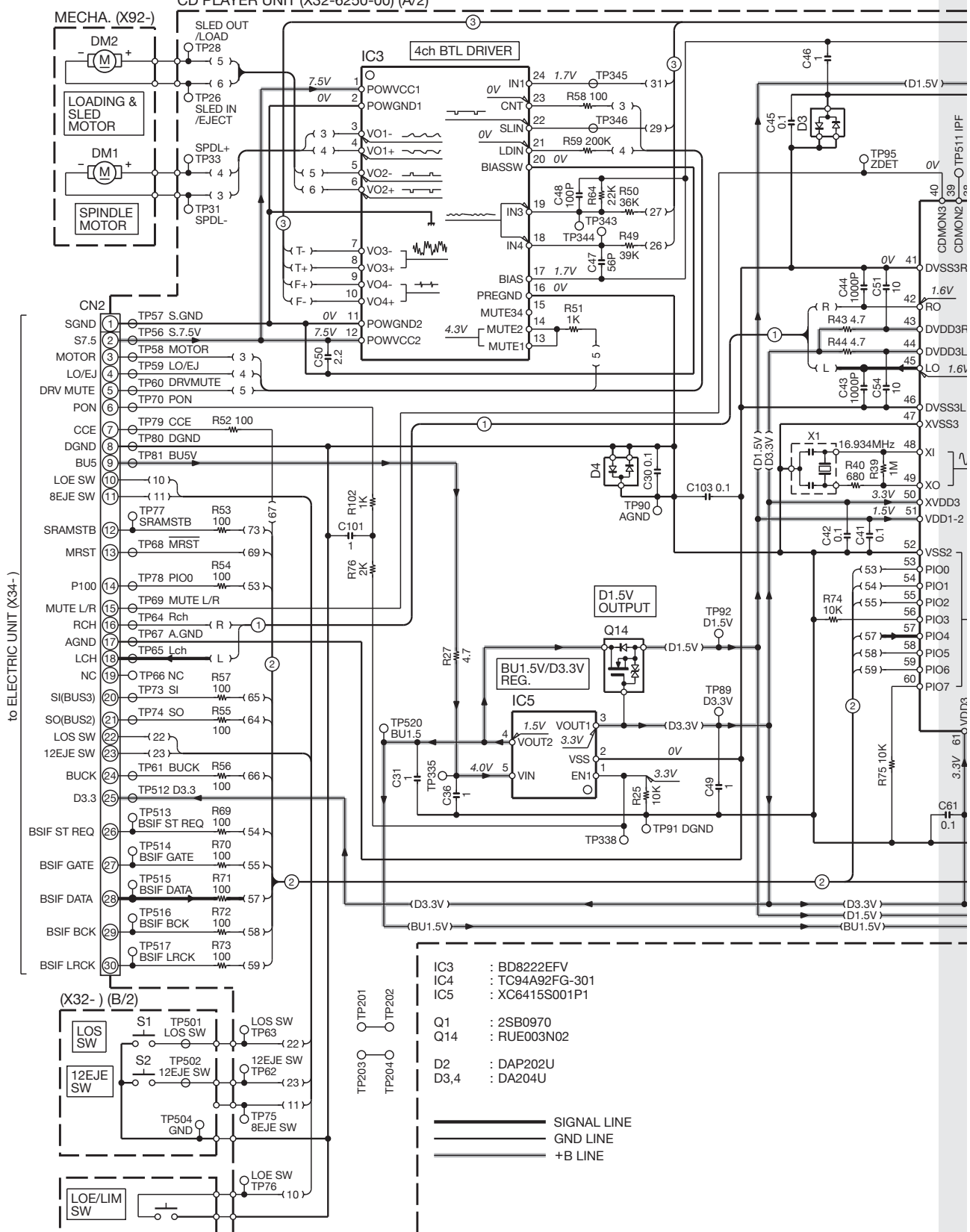
	KI1	KI2	KI3	KI4	KI5
KS1	FM	SCAN	AUD	DISP	AM
KS2	6	5	4		
KS3	1	2	3	▶▶	◀◀
KS4	SRC	EJECT			
KS5	PANEL DET				

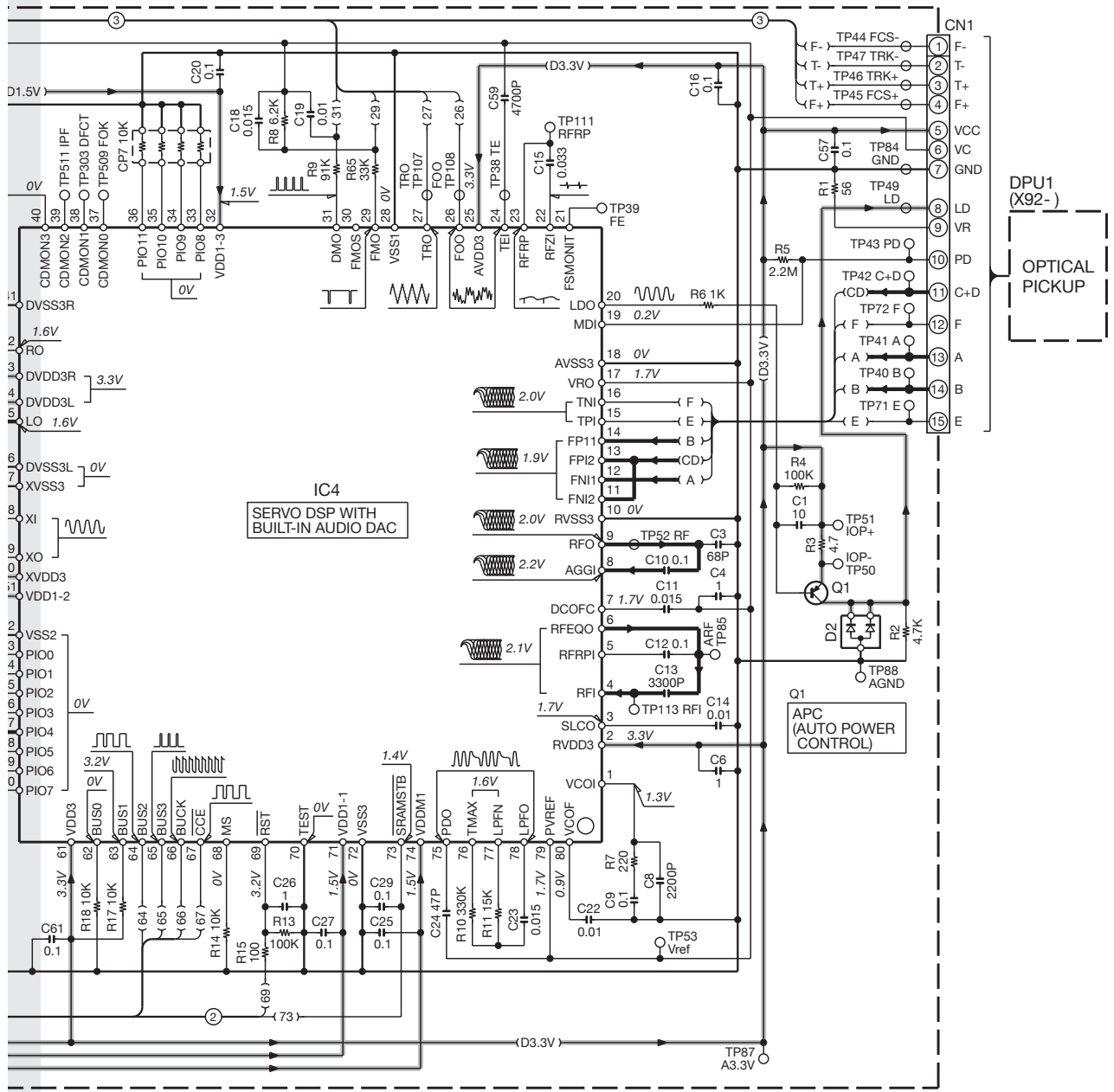


KDC-W4044UA/W4044UAY/W4044UG/W4044UGY
 KDC-W413UA/W413UAY/W4544U/W4644UY (2/2)

KDC-W4044UA/W4044UAY/W4044UG/W4044UGY
KDC-W413UA/W413UAY/W4544U/W4644UY

CD PLAYER UNIT (X32-6250-00) (A/2)





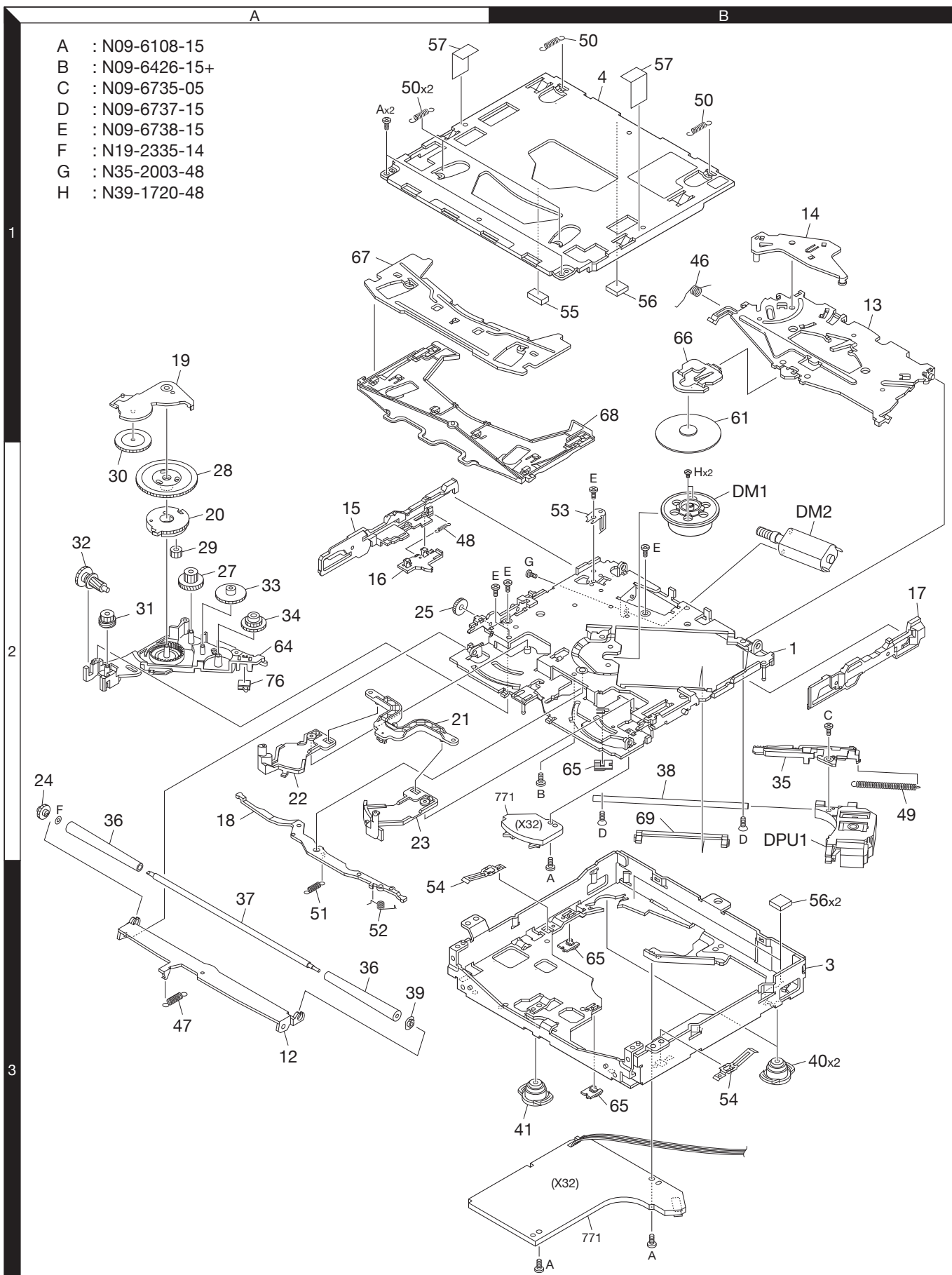
CAUTION : For continued safety, replace safety critical components only with manufacturer's recommended parts (refer to parts list).

⚠ Indicates safety critical components. To reduce the risk of electric shock, leakage-current or resistance measurements shall be carried out (exposed parts are acceptably insulated from the supply circuit) before the appliance is returned to the customer.

- DC voltages are as measured with a high impedance voltmeter. Values may vary slightly due to variations between individual instruments or/and units.

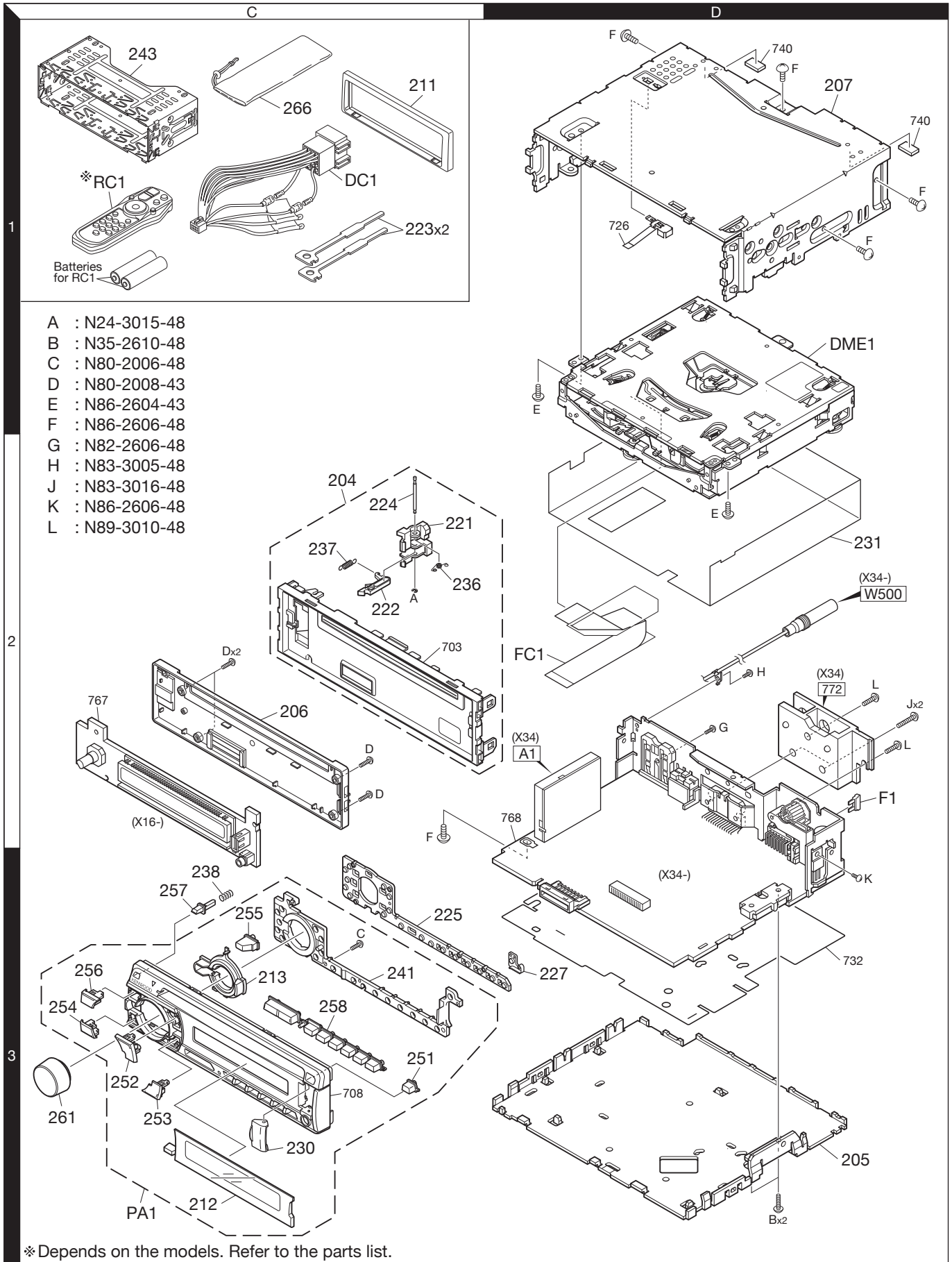
EXPLODED VIEW (CD MECHANISM)

- A : N09-6108-15
- B : N09-6426-15+
- C : N09-6735-05
- D : N09-6737-15
- E : N09-6738-15
- F : N19-2335-14
- G : N35-2003-48
- H : N39-1720-48



Parts with the exploded numbers larger than 700 are not supplied.

EXPLODED VIEW (UNIT)



Parts with the exploded numbers larger than 700 are not supplied.

PARTS LIST

* New parts
 Parts without **Parts No.** are not supplied.
 Les articles non mentionnés dans le **Parts No.** ne sont pas fournis.
 Teile ohne **Parts No.** werden nicht geliefert.

Ref. No.	A d d	N e w	Parts No.	Description	Desti- nation
KDC-W4044Uxx/W413Uxx/W4544U/W4644UY					
204	2C	*	A22-3200-03	SUB PANEL ASSY	
205	3D		A40-1359-01	BOTTOM PLATE	
206	2C	*	A46-1882-01	REAR COVER	
207	1D		A52-1107-01	TOP COVER	
PA1	3C	*	A64-4671-02	PANEL ASSY	E
PA1	3C	*	A64-4672-02	PANEL ASSY	E1E2E5
PA1	3C	*	A64-4672-02	PANEL ASSY	E6
PA1	3C	*	A64-4673-02	PANEL ASSY	E3E7
PA1	3C	*	A64-4687-02	PANEL ASSY	E4
RC1	1C	*	A70-2087-15	REMOTE CONTROLLER ASSY (RC-557)	E4
-		*	B64-4440-00	INST. MANUAL (ENG.FRE.GER.DUT.)	EE1E2
-		*	B64-4440-00	INST. MANUAL (ENG.FRE.GER.DUT.)	E3
-		*	B64-4441-00	INST. MANUAL (ITA.SPA.POR.)	EE1E2
-		*	B64-4441-00	INST. MANUAL (ITA.SPA.POR.)	E3
-		*	B64-4442-00	INST. MANUAL (ENG.RUS.UKR.)	E4E5E6
-		*	B64-4442-00	INST. MANUAL (ENG.RUS.UKR.)	E7
211	1C		B07-3271-01	ESCUTCHEON (HOT RUNNER)	
212	3C	*	B10-5185-01	FRONT GLASS	E
212	3C	*	B10-5186-01	FRONT GLASS	E1E2E5
212	3C	*	B10-5186-01	FRONT GLASS	E6
212	3C	*	B10-5187-01	FRONT GLASS	E3E7
212	3C	*	B10-5192-01	FRONT GLASS	E4
213	3C		B19-2513-03	LIGHTING BOARD	
221	2C		D10-4446-03	LEVER	
222	2C		D10-4447-03	LEVER	
223	1C		D10-7049-04	LEVER	
224	2C		D21-2329-04	SHAFT	
225	3C	*	E29-2128-02	CONDUCTIVE RUBBER	
227	3D	*	E29-2130-04	CONDUCTIVE RUBBER	
DC1	1C		E30-6800-05	DC CORD	
FC1	2D	*	E39-1060-05	FLAT CABLE	
230	3C	*	F07-2204-03	COVER	
231	2D	*	F11-1870-13	SHIELDING COVER	
F1	2D		F52-0023-05	FUSE (MINI BLADE TYPE) (10A)	
236	2C		G01-2987-04	TORSION COIL SPRING	
237	2C		G01-3096-04	EXTENSION SPRING	
238	3C		G01-3244-04	COMPRESSION SPRING	
-		*	H54-4461-03	ITEM CARTON CASE	E
-		*	H54-4462-03	ITEM CARTON CASE	E1
-		*	H54-4463-03	ITEM CARTON CASE	E2
-		*	H54-4464-03	ITEM CARTON CASE	E3
-		*	H54-4465-03	ITEM CARTON CASE	E4
-		*	H54-4466-03	ITEM CARTON CASE	E5
-		*	H54-4467-03	ITEM CARTON CASE	E6
-		*	H54-4468-03	ITEM CARTON CASE	E7
241	3C	*	J19-7231-01	HOLDER	
243	1C		J22-0789-03	MOUNTING HARDWARE ASSY	
251	3C		K24-4955-04	PUSH KNOB (EJECT)	
252	3C		K24-4956-03	PUSH KNOB (FM)	
253	3C		K24-4957-03	PUSH KNOB (AM)	
254	3C		K24-4958-03	PUSH KNOB (DISP)	

Ref. No.	A d d	N e w	Parts No.	Description	Desti- nation
255	3C		K24-4959-04	PUSH KNOB (SEARCH)	
256	3C		K24-4960-03	PUSH KNOB (RRC)	
257	3C		K24-4961-04	PUSH KNOB (RELEASE)	
258	3C		K25-1937-02	PUSH KNOB (PRESET)	
261	3C		K28-0337-04	KNOB ASSY (VOL)	
A	2C		N24-3015-48	E TYPE RETAINING RING	
B	3D		N35-2610-48	BINDING HEAD MACHINE SCREW	
C	3C		N80-2006-48	PAN HEAD TAPTITE SCREW	
D	2C		N80-2008-43	PAN HEAD TAPTITE SCREW	
E	2D		N86-2604-43	BINDING HEAD TAPTITE SCREW	
F	1D		N86-2606-48	BINDING HEAD TAPTITE SCREW	
266	1C		W01-1710-05	CARRYING CASE	
DME1	1D	*	X92-6370-00	MECHANISM ASSY (DXM-9B20W)	
SWITCH UNIT (X16-647x-xx)					
D1 -7			B30-1779-05	LED (1608,SR)	EE4
D1 -9			B30-1779-05	LED (1608,SR)	E1E3E5
D1 -9			B30-1779-05	LED (1608,SR)	E7
D1 -9			B30-1780-05	LED (1608,PG)	E2E6
D8			B30-1781-05	LED (1608,BLUE)	EE4
D9			B30-1779-05	LED (1608,SR)	EE4
D11 -14			B30-1779-05	LED (1608,SR)	E1E3E5
D11 -14			B30-1779-05	LED (1608,SR)	E7
D11 -14			B30-1781-05	LED (1608,BLUE)	EE4
D11 -17			B30-1780-05	LED (1608,PG)	E2E6
D21			B30-1779-05	LED (1608,SR)	
C11			CK73GB1A105K	CHIP C 1.0UF K	
C12			CK73GB1H104K	CHIP C 0.10UF K	
C21			CK73GB1A105K	CHIP C 1.0UF K	
C51 ,52			CK73GB1H103K	CHIP C 0.010UF K	
C101,102			CC73GCH1H330J	CHIP C 33PF J	
C103			CK73GB1H472K	CHIP C 4700PF K	
J1		*	E59-0855-05	RECTANGULAR PLUG	
J2			E11-0654-05	3.5D PHONE JACK	
J3			E58-1109-05	RECTANGULAR RECEPTACLE	
CP11			RK74GA1J101J	CHIP-COM 100 J 1/16W	
R11			RK73GB2A473J	CHIP R 47K J 1/10W	
R12			RK73GB2A221J	CHIP R 220 J 1/10W	
R13			RK73GB2A102J	CHIP R 1.0K J 1/10W	
R14			RK73GB2A472J	CHIP R 4.7K J 1/10W	
R15			RK73GB2A4R7J	CHIP R 4.7 J 1/10W	
R21			RK73GB2A104J	CHIP R 100K J 1/10W	
R22			RK73GB2A101J	CHIP R 100 J 1/10W	
R31 -33			RK73FB2B471J	CHIP R 470 J 1/8W	E1E2E3
R31 -33			RK73FB2B471J	CHIP R 470 J 1/8W	E5E6E7
R31 ,32			RK73FB2B471J	CHIP R 470 J 1/8W	EE4
R33			RK73FB2B391J	CHIP R 390 J 1/8W	EE4
R34 ,35			RK73FB2B561J	CHIP R 560 J 1/8W	EE4
R34 ,35			RK73FB2B751J	CHIP R 750 J 1/8W	E1E2E3
R34 ,35			RK73FB2B751J	CHIP R 750 J 1/8W	E5E6E7
R37			RK73FB2B471J	CHIP R 470 J 1/8W	E2E6
R41			RK73EB2E102J	CHIP R 1.0K J 1/4W	

PARTS LIST

SWITCH UNIT (X16-647x-xx)

Ref. No.	Add	New	Parts No.	Description	Destination
R61 ,62 R101,102			RK73EB2E240J RK73GB2A220J	CHIP R 24 J 1/4W CHIP R 22 J 1/10W	
S1			T99-0484-05	ROTARY ENCODER	
D101 D102 ED1 IC1 IC2			FTZ6.8E DA204U 3-BT-262N BU9754KV-E2 PIC95603	ZENER DIODE DIODE FLUORESCENT INDICATOR TUBE MOS-IC ANALOGUE IC	
CD PLAYER UNIT (X32-6250-00) IN CD MECHA					
C1 C3 C4 C6 C8			CK73FB0J106K CC73GCH1H680J CK73GB1A105K CK73FB1C105K CK73GB1H222K	CHIP C 10UF K CHIP C 68PF J CHIP C 1.0UF K CHIP C 1.0UF K CHIP C 2200PF K	
C9 ,10 C11 C12 C13 C14			CK73GB1C104K CK73GB1H153K CK73GB1C104K CK73GB1H332K CK73GB1H103K	CHIP C 0.10UF K CHIP C 0.015UF K CHIP C 0.10UF K CHIP C 3300PF K CHIP C 0.010UF K	
C15 C16 C18 C19 C20			CK73GB1C333K CK73GB1C104K CK73GB1H153K CK73GB1H103K CK73GB1C104K	CHIP C 0.033UF K CHIP C 0.10UF K CHIP C 0.015UF K CHIP C 0.010UF K CHIP C 0.10UF K	
C22 C23 C24 C25 C26			CK73GB1H103K CK73GB1H153K CC73GCH1H470J CK73GB1C104K CK73GB1A105K	CHIP C 0.010UF K CHIP C 0.015UF K CHIP C 47PF J CHIP C 0.10UF K CHIP C 1.0UF K	
C27 C29 ,30 C31 C36 C41 ,42			CK73GB1C104K CK73GB1C104K CK73GB1A105K CK73GB1A105K CK73GB1C104K	CHIP C 0.10UF K CHIP C 0.10UF K CHIP C 1.0UF K CHIP C 1.0UF K CHIP C 0.10UF K	
C43 ,44 C45 C46 C47 C48			CK73GB1H102K CK73GB1H103K CK73GB1A105K CC73GCH1H560J CC73GCH1H101J	CHIP C 1000PF K CHIP C 0.010UF K CHIP C 1.0UF K CHIP C 56PF J CHIP C 100PF J	
C49 C50 C51 C54 C57			CK73GB1A105K CK73FB1A225K CK73FB0J106K CK73FB0J106K CK73GB1C104K	CHIP C 1.0UF K CHIP C 2.2UF K CHIP C 10UF K CHIP C 10UF K CHIP C 0.10UF K	
C59 C61 C101 C103			CK73GB1H472K CK73GB1C104K CK73GB1A105K CK73GB1C104K	CHIP C 4700PF K CHIP C 0.10UF K CHIP C 1.0UF K CHIP C 0.10UF K	
CN1 CN2			E41-2954-05 E41-2630-05	FLAT CABLE CONNECTOR FLAT CABLE CONNECTOR	
X1			L78-1221-05	RESONATOR (16.93MHZ)	
CP7			RK74GB1J103J	CHIP-COM 10K J 1/16W	

Ref. No.	Add	New	Parts No.	Description	Destination
R1 R2 R3 R4 R5			RK73GB2A560J RK73GB2A472J RK73GB2A4R7J RK73GB2A104J RK73GB2A225J	CHIP R 56 J 1/10W CHIP R 4.7K J 1/10W CHIP R 4.7 J 1/10W CHIP R 100K J 1/10W CHIP R 2.2M J 1/10W	
R6 R7 R8 R9 R10			RK73GB2A102J RK73GB2A221J RK73GB2A622J RK73GB2A913J RK73GB2A334J	CHIP R 1.0K J 1/10W CHIP R 220 J 1/10W CHIP R 6.2K J 1/10W CHIP R 91K J 1/10W CHIP R 330K J 1/10W	
R11 R13 R14 R15 R17 ,18			RK73GB2A153J RK73GB2A104J RK73GB2A103J RK73GB2A101J RK73GB2A103J	CHIP R 15K J 1/10W CHIP R 100K J 1/10W CHIP R 10K J 1/10W CHIP R 100 J 1/10W CHIP R 10K J 1/10W	
R25 R27 R39 R40 R43 ,44			RK73GB2A103J RK73EB2E4R7J RK73GB2A105J RK73GB2A681J RK73GB2A4R7J	CHIP R 10K J 1/10W CHIP R 4.7 J 1/4W CHIP R 1.0M J 1/10W CHIP R 680 J 1/10W CHIP R 4.7 J 1/10W	
R49 R50 R51 R52 -58 R59			RK73GB2A393J RK73GB2A363J RK73GB2A102J RK73GB2A101J RK73GB2A204J	CHIP R 39K J 1/10W CHIP R 36K J 1/10W CHIP R 1.0K J 1/10W CHIP R 100 J 1/10W CHIP R 200K J 1/10W	
R64 R65 R69 -73 R74 ,75 R76			RK73GB2A223J RK73GB2A333J RK73GB2A101J RK73GB2A103J RK73GB2A202J	CHIP R 22K J 1/10W CHIP R 33K J 1/10W CHIP R 100 J 1/10W CHIP R 10K J 1/10W CHIP R 2.0K J 1/10W	
R102			RK73GB2A102J	CHIP R 1.0K J 1/10W	
S1 ,2			S68-0924-05	PUSH SWITCH	
D2 D3 ,4 IC3 IC4 IC5			DAP202U DA204U BD8222EFV * TC94A92FG-301 XC6415S001P1	DIODE DIODE ANALOGUE IC MOS-IC MOS-IC	
Q1 Q14			2SB0970 * RUE003N02	TRANSISTOR FET	
ELECTRIC UNIT (X34-623x-xx)					
C1 C2 C3 C5 C7			CD04AZ1C332M2 CD04AB1C220M CK73GB1H104K CD04AR1C221M CD04AV0J101M	ELECTRO 3300UF 16WV ELECTRO 22UF 16WV CHIP C 0.10UF K ELECTRO 220UF 16WV ELECTRO 100UF 6.3WV	
C9 C11 C12 C14 C15			CK73GB1C104K CK73FB1A225K CK73GB1C104K CK73GB1C104K CD04AB1C220M	CHIP C 0.10UF K CHIP C 2.2UF K CHIP C 0.10UF K CHIP C 0.10UF K ELECTRO 22UF 16WV	
C17 ,18 C19 C20			CK73GB1C104K CK73GB1E223K CK73GB1H152K	CHIP C 0.10UF K CHIP C 0.022UF K CHIP C 1500PF K	

E: KDC-W4544U E1: KDC-W4044UA E2: KDC-W4044UG E3: KDC-W413UA
E4: KDC-W4644UY E5: KDC-W4044UAY E6: KDC-W4044UGY E7: KDC-W413AY

△ Indicates safety critical components.

PARTS LIST

ELECTRIC UNIT (X34-623x-xx)

Ref. No.	A d d	N e w	Parts No.	Description	Desti- nation	Ref. No.	A d d	N e w	Parts No.	Description	Desti- nation
C52			CD04AV1V100M	ELECTRO 10UF 35WV		C922			CK73FB0J106K	CHIP C 10UF K	
C55			C93-1446-05	CHIP C 10UF K		C952			CK73GB1C104K	CHIP C 0.10UF K	EE4
C56			CC73GCH1H331J	CHIP C 330PF J		Δ CN2	*	E41-1828-05		FLAT CABLE CONNECTOR	
C57			CK73GB1A474K	CHIP C 0.47UF K		J1		E58-0991-05		RECTANGULAR RECEPTACLE	
C58,59			CK73FB0J106K	CHIP C 10UF K		J3		E58-1095-05		RECTANGULAR RECEPTACLE	
C64			CD04BK1A221M	ELECTRO 220UF 10WV		J4		E56-0855-05		CYLINDRICAL RECEPTACLE	EE4
C65			CK73GB1H103K	CHIP C 0.010UF K		J5		E63-0937-05		PIN JACK	
C66,67			CK73GB1A105K	CHIP C 1.0UF K		W500	2D	E30-6803-05		CORD WITH PLUG	
C68			CD04AV0J470M	ELECTRO 47UF 6.3WV		Δ L1		L33-2459-05		CHOKE COIL ASSY	
C69			CK73GB1C104K	CHIP C 0.10UF K		L51,52		L33-2462-05		SMALL FIXED INDUCTOR	
C70			CK73GB1H102K	CHIP C 1000PF K		L401		L40-4791-58		SMALL FIXED INDUCTOR	
C71			C93-1446-05	CHIP C 10UF K		X1		L78-0879-05		RESONATOR (10.0MHZ)	
C101,102			CK73GB1H103K	CHIP C 0.010UF K		X2		L77-2920-05		CRYSTAL RESONATOR	
C201			CK73GB1A105K	CHIP C 1.0UF K		X3		L77-2002-05		CRYSTAL RESONATOR	
C202			CC73GCH1H180J	CHIP C 18PF J		X900		L77-2921-15		CRYSTAL RESONATOR (32.768KHZ)	
C203			CC73GCH1H220J	CHIP C 22PF J		X901		L77-2964-05		CRYSTAL RESONATOR (9.00MHZ)	
C204			CK73GB1C104K	CHIP C 0.10UF K		G	2D	N82-2606-48		BINDING HEAD TAPTITE SCREW	
C205			CK73GB1H102K	CHIP C 1000PF K		H	2D	N83-3005-48		PAN HEAD TAPTITE SCREW	
C301,302			CD04AV1HR47M	ELECTRO 0.47UF 50WV		J	2D	N83-3016-48		PAN HEAD TAPTITE SCREW	
C306,307			CK73GB1C104K	CHIP C 0.10UF K		K	3D	N86-2606-48		BINDING HEAD TAPTITE SCREW	
C308			CD04AV0J470M	ELECTRO 47UF 6.3WV		L	2D	N89-3010-48		BINDING HEAD TAPTITE SCREW	
C309			CK73GB1H103K	CHIP C 0.010UF K		R1		RD14BB2C102J	RD 1.0K J 1/6W		
C310,311			CK73GB1H102K	CHIP C 1000PF K		R2 -5		RK73GB2A103J	CHIP R 10K J 1/10W		
C315,316			CC73GCH1H100D	CHIP C 10PF D		R15		RD14DB2H7R5J	SMALL-RD 7.5 J 1/2W		
C401			CD04AV1C470M	ELECTRO 47UF 16WV		R16		RK73FB2B681J	CHIP R 680 J 1/8W		
C403			CD04AV1H010M	ELECTRO 1UF 50WV		R17		RK73GB2A272J	CHIP R 2.7K J 1/10W		
C404-407			CK73GB1A105K	CHIP C 1.0UF K		R18		RK73GB2A473J	CHIP R 47K J 1/10W		
C502			CK73GB1C104K	CHIP C 0.10UF K		R51		RK73FB2B681J	CHIP R 680 J 1/8W		
C504			CK73GB1C104K	CHIP C 0.10UF K		R52		RK73GB2A104J	CHIP R 100K J 1/10W		
C509,510			CK73GB1C104K	CHIP C 0.10UF K		R53		RK73GH2A333D	CHIP R 33K D 1/10W		
C512			CK73GB1H103K	CHIP C 0.010UF K		R54		RK73GH2A104D	CHIP R 100K D 1/10W		
C513			CD04AV1V100M	ELECTRO 10UF 35WV		R55		RK73GB2A203J	CHIP R 20K J 1/10W		
C514			CC73GCH1H331J	CHIP C 330PF J		R56		RK73GH2A333D	CHIP R 33K D 1/10W		
C515,516			CC73GCH1H180J	CHIP C 18PF J	EE4	R57		RK73GH2A563D	CHIP R 56K D 1/10W		
C601,602			CK73GB1C104K	CHIP C 0.10UF K		R58		RK73GB2A473J	CHIP R 47K J 1/10W		
C603			CD04AV0J470M	ELECTRO 47UF 6.3WV	EE4	R59		RK73GB2A203J	CHIP R 20K J 1/10W		
C701,702			CD04AV1V100M	ELECTRO 10UF 35WV		R62		RK73GB2A223J	CHIP R 22K J 1/10W		
C801-804			CK73GB1A224K	CHIP C 0.22UF K		R64		RK73GB2A100J	CHIP R 10 J 1/10W		
C805			CD04AV1C330M	ELECTRO 33UF 16WV		R101,102		RD14BB2C472J	RD 4.7K J 1/6W		
C806,807			CK73GB1A105K	CHIP C 1.0UF K		R106		RD14BB2C332J	RD 3.3K J 1/6W		
C809			CK73GB1A105K	CHIP C 1.0UF K		R107		RD14BB2C333J	RD 33K J 1/6W		
C851-858			CK73GB1H472K	CHIP C 4700PF K		R108		RK73GB2A103J	CHIP R 10K J 1/10W		
C859			CK73GB1H103K	CHIP C 0.010UF K		R109		RK73GB2A223J	CHIP R 22K J 1/10W		
C871,872			CC73GCH1H681J	CHIP C 680PF J		R110		RK73FB2B683J	CHIP R 68K J 1/8W		
C901			CK73GB1H103K	CHIP C 0.010UF K		R111		RK73GB2A473J	CHIP R 47K J 1/10W		
C902			CC73GCH1H180J	CHIP C 18PF J		R112		RD14BB2C203J	RD 20K J 1/6W		
C903			CC73GCH1H220J	CHIP C 22PF J		R113		RK73GB2A104J	CHIP R 100K J 1/10W		
C904-906			CK73GB1H103K	CHIP C 0.010UF K		R114,115		RK73GB2A103J	CHIP R 10K J 1/10W		
C908,909			CK73GB1H103K	CHIP C 0.010UF K		R116,117		RK73GB2A682J	CHIP R 6.8K J 1/10W		
C911,912			CC73GCH1H150J	CHIP C 15PF J		R118		RD14BB2C103J	RD 10K J 1/6W		
C914			CK73GB1H103K	CHIP C 0.010UF K		R119		RK73GB2A473J	CHIP R 47K J 1/10W		
C915			CK73GB1A105K	CHIP C 1.0UF K		R120		RK73GB2A104J	CHIP R 100K J 1/10W		
C916,917			CK73FB0J106K	CHIP C 10UF K		R152		RK73GB2A000J	CHIP R 0.0 J 1/10W		
C918			CK73GB1A105K	CHIP C 1.0UF K							
C921			CC73GCH1H221J	CHIP C 220PF J							

E: KDC-W4544U E1: KDC-W4044UA E2: KDC-W4044UG E3: KDC-W413UA
 E4: KDC-W4644UY E5: KDC-W4044UAY E6: KDC-W4044UGY E7: KDC-W413AY

Δ Indicates safety critical components.

PARTS LIST

ELECTRIC UNIT (X34-623x-xx)

Ref. No.	Add	New	Parts No.	Description	Destination	Ref. No.	Add	New	Parts No.	Description	Destination
R203,204			RK73GB2A103J	CHIP R 10K J 1/10W		R510			RK73GB2A102J	CHIP R 1.0K J 1/10W	
R205-207			RK73GB2A473J	CHIP R 47K J 1/10W		R512			RK73GB2A222J	CHIP R 2.2K J 1/10W	
R208			RD14BB2C473J	RD 47K J 1/6W		R556			RK73EB2E000J	CHIP R 0.0 J 1/4W	
R209,210			RK73GB2A471J	CHIP R 470 J 1/10W		R601,602			RD14BB2C100J	RD 10 J 1/6W	EE4
R218			RK73GB2A223J	CHIP R 22K J 1/10W		R603			RD14BB2C4R7J	RD 4.7 J 1/6W	EE4
R223			RK73GB2A222J	CHIP R 2.2K J 1/10W		R604			RK73GB2A102J	CHIP R 1.0K J 1/10W	EE4
R225			RK73GB2A473J	CHIP R 47K J 1/10W	E1E2E3	R605			RD14BB2C101J	RD 100 J 1/6W	EE4
R225			RK73GB2A473J	CHIP R 47K J 1/10W	E5E6E7	R606,607			RD14BB2C102J	RD 1.0K J 1/6W	EE4
R226			RK73GB2A223J	CHIP R 22K J 1/10W	E1E2E3	R608,609			RD14BB2C101J	RD 100 J 1/6W	EE4
R226			RK73GB2A473J	CHIP R 47K J 1/10W	E4	R610			RD14BB2C472J	RD 4.7K J 1/6W	EE4
R226-228			RK73GB2A473J	CHIP R 47K J 1/10W	E	R611			RD14BB2C101J	RD 100 J 1/6W	EE4
R226,227			RK73GB2A223J	CHIP R 22K J 1/10W	E5E6E7	R612			RD14BB2C472J	RD 4.7K J 1/6W	EE4
R227			RK73GB2A223J	CHIP R 22K J 1/10W	E4	R613,614			RK73GB2A100J	CHIP R 10 J 1/10W	EE4
R227,228			RK73GB2A473J	CHIP R 47K J 1/10W	E1E2E3	R615			RK73GB2A4R7J	CHIP R 4.7 J 1/10W	EE4
R228			RK73GB2A473J	CHIP R 47K J 1/10W	E4E5E6	R616			RK73GB2A473J	CHIP R 47K J 1/10W	EE4
R228			RK73GB2A473J	CHIP R 47K J 1/10W	E7	R617-620			RK73GB2A104J	CHIP R 100K J 1/10W	EE4
R251,252			RK73GB2A101J	CHIP R 100 J 1/10W		R701,702			RK73GB2A331J	CHIP R 330 J 1/10W	
R253,254			RK73GB2A223J	CHIP R 22K J 1/10W		R703,704			RD14BB2C223J	RD 22K J 1/6W	
R255-257			RK73GB2A101J	CHIP R 100 J 1/10W		R705,706			RD14BB2C181J	RD 180 J 1/6W	
R258			RK73GB2A223J	CHIP R 22K J 1/10W		R802			RK73GB2A333J	CHIP R 33K J 1/10W	
R259			RK73GB2A101J	CHIP R 100 J 1/10W		R803			RK73GB2A473J	CHIP R 47K J 1/10W	
R260			RK73GB2A223J	CHIP R 22K J 1/10W		R804			RK73GB2A331J	CHIP R 330 J 1/10W	
R261-267			RK73GB2A101J	CHIP R 100 J 1/10W		R805			RK73GB2A223J	CHIP R 22K J 1/10W	
R268-271			RK73GB2A473J	CHIP R 47K J 1/10W		R806			RK73GB2A562J	CHIP R 5.6K J 1/10W	
R301			RK73GB2A222J	CHIP R 2.2K J 1/10W		R808			RK73GB2A100J	CHIP R 10 J 1/10W	
R302			RD14BB2C101J	RD 100 J 1/6W		R809			RD14BB2C102J	RD 1.0K J 1/6W	
R306,307			RK73GB2A222J	CHIP R 2.2K J 1/10W		R810			RK73GB2A102J	CHIP R 1.0K J 1/10W	
R317			RK73GB2A222J	CHIP R 2.2K J 1/10W		R811			RK73GB2A473J	CHIP R 47K J 1/10W	
R318			RK73GB2A472J	CHIP R 4.7K J 1/10W		R812			RK73EB2E000J	CHIP R 0.0 J 1/4W	
R319			RK73GB2A222J	CHIP R 2.2K J 1/10W		R900			RK73GB2A102J	CHIP R 1.0K J 1/10W	
R320			RK73GB2A472J	CHIP R 4.7K J 1/10W		R904			RK73GB2A223J	CHIP R 22K J 1/10W	
R330			RD14BB2C101J	RD 100 J 1/6W		R905			RK73GB2A101J	CHIP R 100 J 1/10W	
R331			RK73GB2A392J	CHIP R 3.9K J 1/10W		R906			RK73GB2A223J	CHIP R 22K J 1/10W	
R332			RD14BB2C101J	RD 100 J 1/6W		R907			RK73GB2A104J	CHIP R 100K J 1/10W	
R333,334			RD14BB2C102J	RD 1.0K J 1/6W		R908			RK73GB2A101J	CHIP R 100 J 1/10W	
R335			RK73GB2A473J	CHIP R 47K J 1/10W		R909,910			RK73GB2A102J	CHIP R 1.0K J 1/10W	
R336-339			RK73GB2A222J	CHIP R 2.2K J 1/10W		R911			RK73GB2A223J	CHIP R 22K J 1/10W	
R340			RK73GB2A225J	CHIP R 2.2M J 1/10W		R912			RK73GB2A101J	CHIP R 100 J 1/10W	
R341			RK73GB2A222J	CHIP R 2.2K J 1/10W		R914			RK73GB2A223J	CHIP R 22K J 1/10W	
R342			RK73GB2A392J	CHIP R 3.9K J 1/10W		R915			RK73GB2A102J	CHIP R 1.0K J 1/10W	
R343			RD14BB2C102J	RD 1.0K J 1/6W		R916			RK73GB2A101J	CHIP R 100 J 1/10W	
R344,345			RD14BB2C4R7J	RD 4.7 J 1/6W		R917,918			RK73GB2A102J	CHIP R 1.0K J 1/10W	
R346			RD14BB2C2R2J	RD 2.2 J 1/6W		R919			RK73GB2A101J	CHIP R 100 J 1/10W	
R347			RK73GB2A102J	CHIP R 1.0K J 1/10W		R920			RK73GB2A223J	CHIP R 22K J 1/10W	
R348,349			RK73GB2A103J	CHIP R 10K J 1/10W		R921			RK73GB2A101J	CHIP R 100 J 1/10W	E1E2E3
R352,353			RD14BB2C100J	RD 10 J 1/6W		R921			RK73GB2A101J	CHIP R 100 J 1/10W	E5E6E7
R401			RK73GB2A103J	CHIP R 10K J 1/10W		R921,922			RK73GB2A101J	CHIP R 100 J 1/10W	EE4
R402,403			RK73GB2A471J	CHIP R 470 J 1/10W		R923			RK73GB2A223J	CHIP R 22K J 1/10W	EE4
R501			RK73GB2A471J	CHIP R 470 J 1/10W		R924			RK73GB2A101J	CHIP R 100 J 1/10W	
R502			RK73GB2A472J	CHIP R 4.7K J 1/10W		R926			RK73GB2A000J	CHIP R 0.0 J 1/10W	
R503			RK73GB2A471J	CHIP R 470 J 1/10W		R927			RK73GB2A105J	CHIP R 1.0M J 1/10W	
R504			RK73GB2A472J	CHIP R 4.7K J 1/10W		R928			RK73GB2A223J	CHIP R 22K J 1/10W	
R506,507			RK73GB2A222J	CHIP R 2.2K J 1/10W		R929			RK73GB2A100J	CHIP R 10 J 1/10W	
R508			RD14BB2C222J	RD 2.2K J 1/6W		R930			RK73GB2A153J	CHIP R 15K J 1/10W	
R509			RK73GB2A512J	CHIP R 5.1K J 1/10W		R931			RK73GB2A100J	CHIP R 10 J 1/10W	

E: KDC-W4544U E1: KDC-W4044UA E2: KDC-W4044UG E3: KDC-W413UA
E4: KDC-W4644UY E5: KDC-W4044UAY E6: KDC-W4044UGY E7: KDC-W413AY

△ Indicates safety critical components.

PARTS LIST

ELECTRIC UNIT (X34-623x-xx)

Ref. No.	A d d	N e w	Parts No.	Description	Desti- nation
R932			RK73GB2A153J	CHIP R 15K J 1/10W	
R934-937			RK73GB2A101J	CHIP R 100 J 1/10W	
R938			RK73GB2A223J	CHIP R 22K J 1/10W	
R939,940			RK73GB2A101J	CHIP R 100 J 1/10W	
R941			RK73GB2A332J	CHIP R 3.3K J 1/10W	
R942			RK73GB2A101J	CHIP R 100 J 1/10W	
R943			RK73GB2A332J	CHIP R 3.3K J 1/10W	
R944-946			RK73GB2A101J	CHIP R 100 J 1/10W	
R947			RK73GB2A223J	CHIP R 22K J 1/10W	
R952			RK73GB2A101J	CHIP R 100 J 1/10W	EE4
R954			RK73GB2A223J	CHIP R 22K J 1/10W	EE4
R956			RK73GB2A101J	CHIP R 100 J 1/10W	EE4
R967			RK73GB2A223J	CHIP R 22K J 1/10W	
R968			RK73GB2A333J	CHIP R 33K J 1/10W	EE4
R969			RK73FB2B2R2J	CHIP R 2.2 J 1/8W	
R970			RK73GB2A000J	CHIP R 0.0 J 1/10W	
R972			RK73GB2A102J	CHIP R 1.0K J 1/10W	
D1			S2V60-5009F46	DIODE	
D2			HZS9-E (A1)	ZENER DIODE	
D3			D1F60-5063	DIODE	
D7			HZS11-E (C3)	ZENER DIODE	
D51			EC31QS04AG	DIODE	
D52			UDZW20 (B)	ZENER DIODE	
D101-104			D1F60-5063	DIODE	
D106-108			MTZJ6.8 (B)	ZENER DIODE	
D109			HZS5-E (B1)	ZENER DIODE	
D110			KDS121-P	DIODE	
D304-306			HZS7-E (A3)	ZENER DIODE	
D311,312			AVRL1613R3FTA	VARIATOR	
D313			STZ6.8N	ZENER DIODE	
D401			1SS133	DIODE	
D601-606			HZS7-E (A3)	ZENER DIODE	EE4
D801,802			1SS133	DIODE	
IC1		*	30622MGPB72FP	MICROCONTROLLER IC	
IC2			E-TDA7719	ANALOGUE IC	
IC4			BD4914-V4	ANALOGUE IC	
IC6			E-TDA7851A	ANALOGUE IC	
IC7			E-TDA7478AD	ANALOGUE IC	
IC8			S-80836CNNB-J	MOS-IC	
IC51			LT3684EMSE	ANALOGUE IC	
IC52			BD6538G	MOS-IC	
IC53			R1114N331B-TR	ANALOGUE IC	
IC251			74AHCT08PW	MOS-IC	
IC252			74LVC08APW	MOS-IC	
IC900		*	92CD28AFG7BV2	MICROCONTROLLER IC	
IC950		*	MF1341S2159	MICROPROCESSOR IC	EE4
Q2			2SB1565	TRANSISTOR	
Q3			2SC4081	TRANSISTOR	
Q7			KRC403-P	DIGITAL TRANSISTOR	
Q8			2SB1565	TRANSISTOR	
Q9			2SC4081	TRANSISTOR	
Q10			KRA303-P	DIGITAL TRANSISTOR	
Q11			KRC403-P	DIGITAL TRANSISTOR	
Q12			KRA303-P	DIGITAL TRANSISTOR	

Ref. No.	A d d	N e w	Parts No.	Description	Desti- nation
Q51			2SC4081	TRANSISTOR	
Q52			2SB1443	TRANSISTOR	
Q53			KRC404-P	DIGITAL TRANSISTOR	
Q101-103			2SC4081	TRANSISTOR	
Q104,105			KRC404-P	DIGITAL TRANSISTOR	
Q301			KRA307-P	DIGITAL TRANSISTOR	
Q701,702			KRC410-P	DIGITAL TRANSISTOR	
Q705			KRA303-P	DIGITAL TRANSISTOR	
Q902			KRC407-P	DIGITAL TRANSISTOR	
Q903			2SB1689	TRANSISTOR	
Q905			KRC407-P	DIGITAL TRANSISTOR	
TH1			PRF18BE471QS2	POSITIVE RESISTOR	
A1	2D		X86-4232-70	FRONT-END UNIT	
MECHANISM ASSY (X92-6370-00) DXM-9B20W					
1	2B		A10-5450-43	CHASSIS ASSY	
3	3B		A10-5452-41	CHASSIS	
4	1B		A10-5453-32	CHASSIS	
12	3A		D10-4993-52	LEVER	
13	1B	*	D10-4991-12	ARM	
14	1B		D10-4992-03	ARM	
15	2A		D10-4994-02	SLIDER	
16	2A		D10-4995-03	SLIDER	
17	2B		D10-4996-02	SLIDER	
18	2A		D10-4997-03	LEVER	
19	1A		D10-4998-03	ARM	
20	2A		D10-4999-03	ARM	
21	2A		D10-7001-03	ARM	
22	2A		D10-7002-03	ARM	
23	2A		D10-7003-03	ARM	
24	2A		D13-2445-04	GEAR	
25	2A		D13-2446-04	GEAR	
27	2A		D13-2448-04	GEAR	
28	2A		D13-2449-04	GEAR	
29	2A		D13-2450-04	GEAR	
30	2A		D13-2451-04	GEAR	
31	2A		D13-2452-04	GEAR	
32	2A		D13-2453-04	GEAR	
33	2A		D13-2454-04	GEAR	
34	2A		D13-2455-04	GEAR	
35	2B		D13-2456-03	RACK (GEAR)	
36	2A		D14-1028-04	ROLLER	
37	3A		D21-2507-04	SHAFT	
38	2B		D21-2508-04	SHAFT	
39	3A		D23-0963-04	RETAINER	
40	3B		D39-0277-15	DAMPER	
41	3B		D39-0278-15	DAMPER	
46	1B		G01-4682-24	TORSION COIL SPRING	
47	3A		G01-4683-14	EXTENSION SPRING	
48	2A		G01-4684-04	EXTENSION SPRING	
49	2B		G01-4685-04	EXTENSION SPRING	
50	1B		G01-4686-14	EXTENSION SPRING	
51	3A		G01-4688-14	EXTENSION SPRING	
52	3A		G01-4692-24	TORSION COIL SPRING	

PARTS LIST**MECHANISM ASSY (X92-6370-00) DXM-9B20W**

Ref. No.	A d d	N e w	Parts No.	Description	Desti- nation	Ref. No.	A d d	N e w	Parts No.	Description	Desti- nation
53	2B		G02-1587-04	FLAT SPRING							
54	3A		G02-1588-04	FLAT SPRING							
55	1B		G13-1297-04	CUSHION							
56	1B		G13-1299-14	CUSHION							
57	1A		G16-1715-04	SHEET							
61	1B		J11-0675-03	CLAMPER							
64	2A		J19-7210-21	HOLDER							
65	2B		J19-7225-04	HOLDER							
66	1B		J22-0706-03	MOUNTING HARDWARE							
67	1A		J22-0707-12	MOUNTING HARDWARE							
68	1B		J90-1170-21+	GUIDE							
69	2B		J90-1168-03	RAIL							
A	1A		N09-6108-15	TAPTITE SCREW (M2X3.5)							
B	2B		N09-6426-15+	MACHINE SCREW							
C	2B		N09-6735-05	TAPTITE SCREW							
D	2B		N09-6737-15	MACHINE SCREW							
E	2B		N09-6738-15	TAPTITE SCREW							
F	2A		N19-2335-14	FLAT WASHER							
G	2B		N35-2003-48	BINDING HEAD MACHINE SCREW							
H	2B		N39-1720-48	PAN HEAD MACHINE SCREW							
76	2A		S68-0921-05	PUSH SWITCH							
DM1	2B		X94-2090-00	SPINDLE MOTOR ASSY							
DM2	2B		X94-2100-00	FEED MOTOR ASSY (LOAD/SLED)							
DPU1	2B		X93-2260-01	OPTICAL PICKUP ASSY							

E: KDC-W4544U E1: KDC-W4044UA E2: KDC-W4044UG E3: KDC-W413UA
E4: KDC-W4644UY E5: KDC-W4044UAY E6: KDC-W4044UGY E7: KDC-W413AY

△ Indicates safety critical components.

SPECIFICATIONS

FM tuner section

Frequency range (50kHz space).....	87.5MHz~108.0MHz
Usable sensitivity (S/N=26dB).....	0.7 μ V/75 Ω
Quieting Sensitivity (S/N=46dB).....	1.6 μ V/75 Ω
Frequency response (\pm 3.0dB).....	30Hz~15kHz
Signal to Noise ratio (MONO).....	65dB
Selectivity (DIN) (\pm 400kHz).....	\geq 80dB
Stereo separation (1kHz).....	35dB

MW tuner section

Frequency range (9kHz space).....	531kHz~1611kHz
Usable sensitivity (S/N=20dB).....	25 μ V

LW tuner section

Frequency range	153kHz~281kHz
Usable sensitivity (S/N=20dB).....	45 μ V

CD player section

Laser diode.....	GaAlAs
Digital filter (D/A).....	8 Times Over Sampling
D/A Converter.....	24Bit
Spindle speed	500~200rpm (CLV)
Wow & Flutter	Below Measurable Limit
Frequency response (\pm 1dB).....	20Hz~20kHz
Total harmonic distortion (1kHz).....	0.01%
Signal to Noise ratio (1kHz).....	105dB
Dynamic range	93dB
MP3 decode.....	Compliant with MPEG-1/2 Audio Layer-3
WMA decode.....	Compliant with Windows Media Audio
AAC decode	AAC-LC “.m4a” files

USB Interface

USB Standard	USB1.1/2.0 (Full speed)
Maximum Supply current	500mA
File System	FAT16/32
MP3 decode.....	Compliant with MPEG-1/2 Audio Layer-3
WMA decode.....	Compliant with Windows Media Audio
AAC decode	AAC-LC “.m4a” files

Audio section

Maximum output power	50W x 4
Output Power (DIN 45324, +B=14.4V)	22W x 4
Speaker Impedance	4~8 Ω
Tone action	
Bass	100Hz \pm 8dB
Middle	1kHz \pm 8dB
Treble	10kHz \pm 8dB
Preout level / Load (CD)	2000mV/10k Ω
Preout impedance	\leq 600 Ω

Auxiliary input

Frequency response (\pm 3dB)	20Hz~20kHz
Input Maximum Voltage.....	1200mV
Input Impedance	10k Ω

General

Operating voltage (11~16V allowable).....	14.4V
Maximum Current consumption.....	10A
Installation Size (W x H x D)	182 x 53 x 155mm
Weight	1.3kg

KENWOOD follows a policy of continuous advancements in development. For this reason specifications may be changed without notice.

DANGER:

Please do not look at the laser beam directly during repair or operation check.

