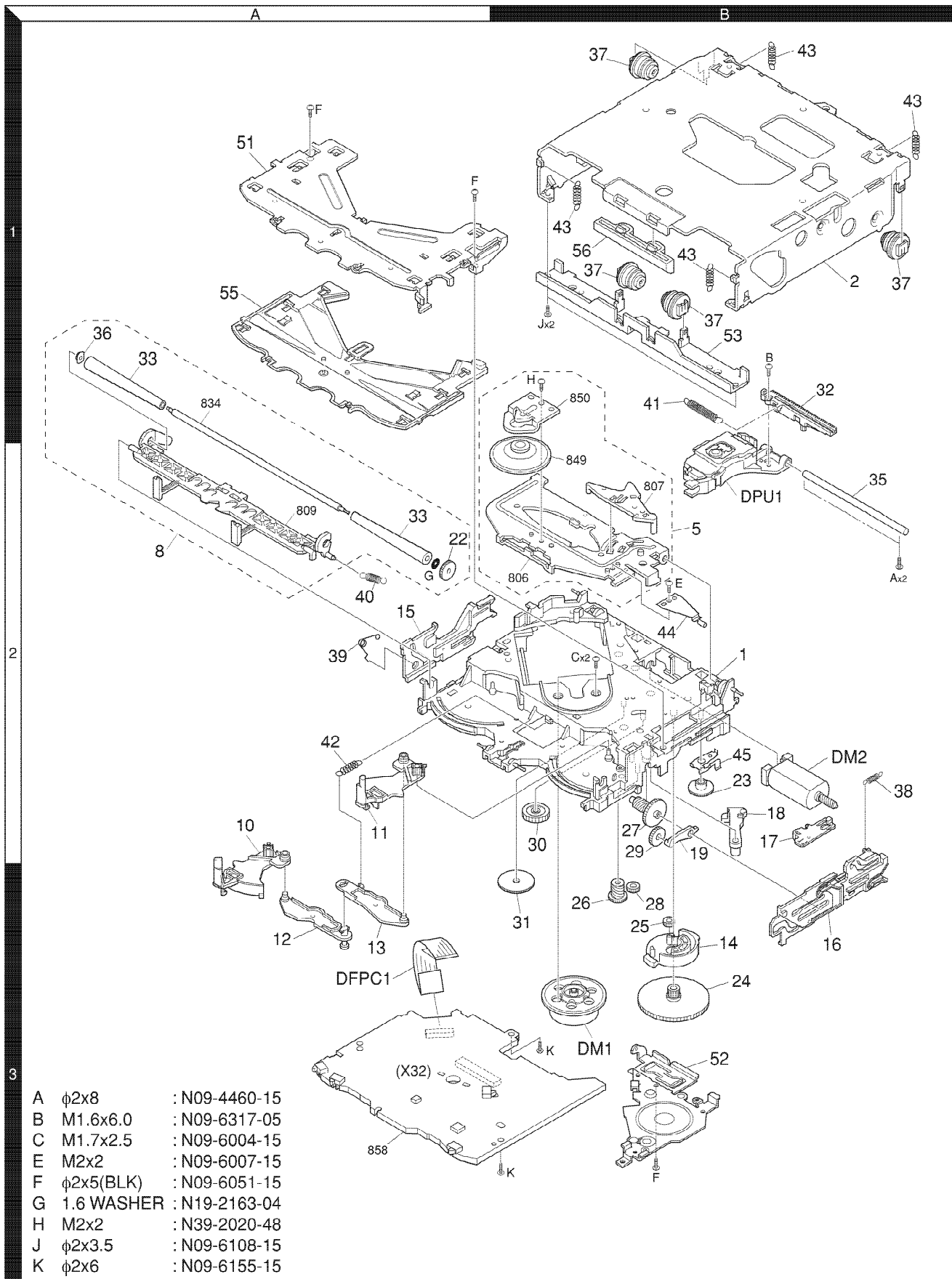


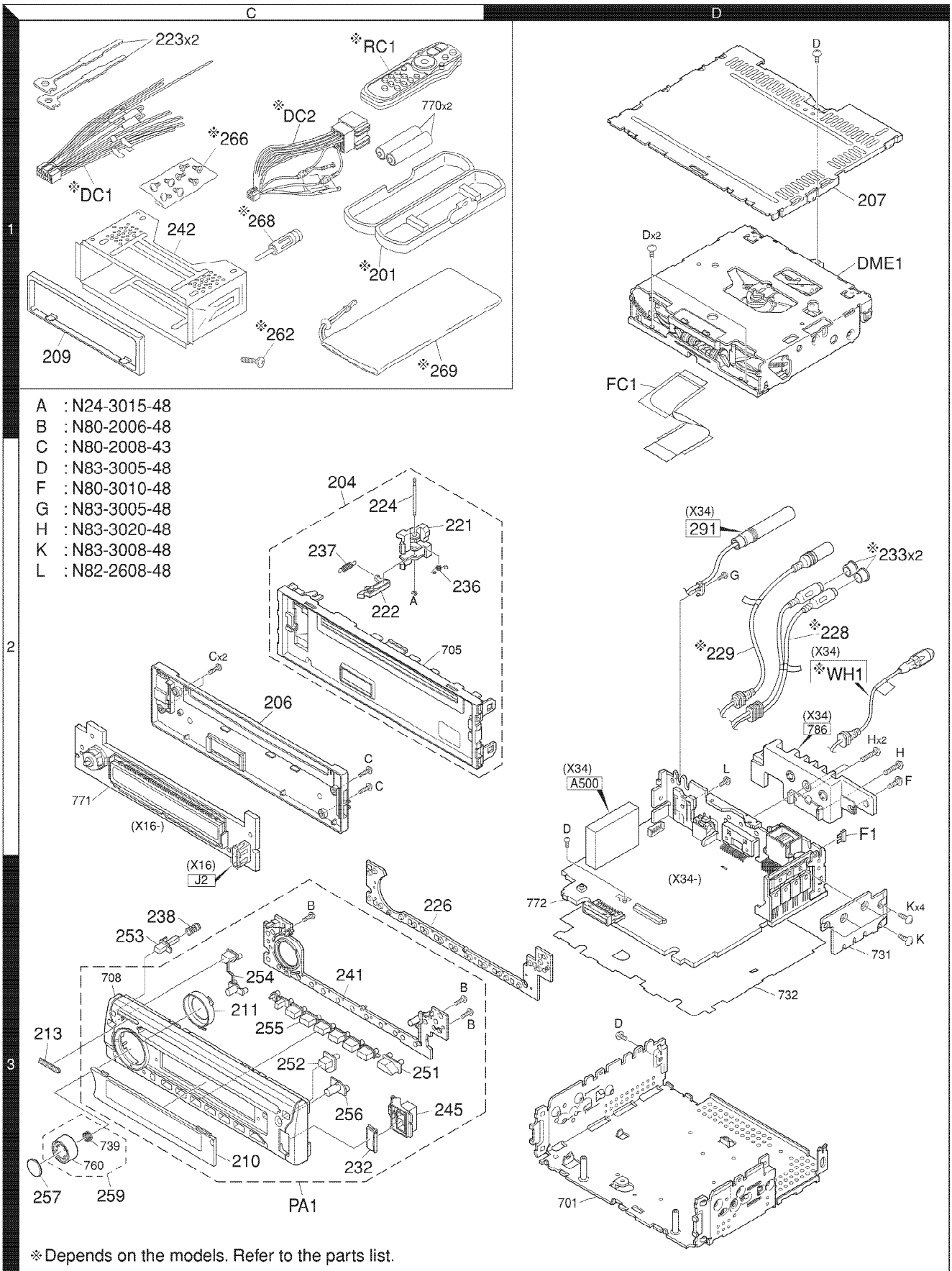
KDC-MP4036U/MP435U/X491/W4537UA/W4537UAY
 /W4537UG/W4537UGY/W4737U/W4737UY

EXPLODED VIEW (CD MECHANISM)



KDC-MP4036U/MP435U/X491/W4537UA/W4537UAY /W4537UG/W4537UGY/W4737U/W4737UY

EXPLODED VIEW (UNIT)



Parts with the exploded numbers larger than 700 are not supplied.

KDC-MP4036U/MP435U/X491/W4537UA/W4537UAY /W4537UG/W4537UGY/W4737U/W4737UY

PARTS LIST

* New parts

Parts without **Parts No.** are not supplied.

Les articles non mentionnés dans le **Parts No.** ne sont pas fournis.

Teile ohne **Parts No.** werden nicht geliefert.

Ref. No.	A d d	N e w	Parts No.	Description	Desti- nation
KDC-MP4036U/MP435U/W4537U/W4737U/X491					
201	1C		A02-2736-03	PLASTIC CABINET ASSY	M1
204	2C		A22-3117-13	SUB PANEL ASSY	
206	2C	*	A46-1847-01	REAR COVER	
207	1D	*	A52-0889-02	TOP PLATE	
PA1	3C	*	A64-4126-12	PANEL ASSY	K
PA1	3C	*	A64-4127-12	PANEL ASSY	E1E2E3
PA1	3C	*	A64-4127-12	PANEL ASSY	E4
PA1	3C	*	A64-4129-12	PANEL ASSY	M1
PA1	3C	*	A64-4175-12	PANEL ASSY	E5E6
PA1	3C	*	A64-4221-12	PANEL ASSY	K1
RC1	1C	*	A70-2085-05	REMOTE CONTROLLER ASSY (RC-547)	K1
RC1	1C	*	A70-2087-05	REMOTE CONTROLLER ASSY (RC-557)	KE3E4
RC1	1C	*	A70-2087-05	REMOTE CONTROLLER ASSY (RC-557)	M1E6
-		*	B46-0690-04	ID CARD	KK1
-		*	B46-0691-04	ID CARD	E1E2E3
-		*	B46-0691-04	ID CARD	E4M1E5
-		*	B46-0691-04	ID CARD	E6
-		*	B64-3543-00	INST. MANUAL (ENG.FRE.SPA.)	KK1
-		*	B64-3544-00	INST. MANUAL (ENG.T-CHI.)	M1
-		*	B64-3545-00	INST. MANUAL (ARABIC)	M1
-		*	B64-3546-00	INST. MANUAL (ENGLISH)	E1E2E3
-		*	B64-3546-00	INST. MANUAL (ENGLISH)	E4E5E6
-		*	B64-3547-00	INST. MANUAL (FRE.DUT.GER.)	E1E2E5
-		*	B64-3548-00	INST. MANUAL (ITA.SPA.POR.)	E1E2E5
-		*	B64-3549-00	INST. MANUAL (RUSSIAN)	E3E4E6
209	1C		B07-3125-01	ESCUTCHEON	
210	3C	*	B10-4956-11	FRONT GLASS	K
210	3C	*	B10-4957-11	FRONT GLASS	E1E2E3
210	3C	*	B10-4957-11	FRONT GLASS	E4
210	3C	*	B10-4959-11	FRONT GLASS	M1
210	3C	*	B10-4968-11	FRONT GLASS	E5E6
210	3C	*	B10-4979-11	FRONT GLASS	K1
211	3C	*	B19-2433-03	LIGHTING BOARD	
213	3C		B43-1518-04	BADGE	
221	2C		D10-4446-03	LEVER	
222	2C		D10-4447-03	LEVER	
223	1C		D10-4589-04	LEVER	
224	2C		D21-2329-04	SHAFT	
226	3C	*	E29-2095-02	CONDUCTIVE RUBBER	
228	2D	*	E30-6658-05	CORD WITH PINPLUG (SUB/AUX)	KK1
229	2D	*	E30-6660-05	CORD WITH CONNECTOR (AUX)	M1E5E6
△ DC1	1C	*	E30-6428-05	DC CORD	KM1K1
△ DC2	1C	*	E30-6671-05	DC CORD	E1E2E3
△ DC2	1C	*	E30-6671-05	DC CORD	E4E5E6
FC1	1D	*	E39-0736-05	FLAT CABLE (24-PIN)	
232	3C	*	F19-1482-03	COVER	
233	2D	*	F29-0626-04	INSULATING COVER	KK1
△ F1	2D	*	F52-0023-05	FUSE (MINI BLADE TYPE) (10A)	
236	2C		G01-2987-04	TORSION COIL SPRING	
237	2C		G01-3096-04	EXTENSION SPRING	
238	3C		G01-3244-04	COMPRESSION SPRING (REL)	

Ref. No.	A d d	N e w	Parts No.	Description	Desti- nation
-		*	H54-3954-03	ITEM CARTON CASE	K
-		*	H54-3955-03	ITEM CARTON CASE	E1
-		*	H54-3956-03	ITEM CARTON CASE	E2
-		*	H54-3957-03	ITEM CARTON CASE	E3
-		*	H54-3958-03	ITEM CARTON CASE	E4
-		*	H54-3959-03	ITEM CARTON CASE	M1
-		*	H54-3967-03	ITEM CARTON CASE	E5
-		*	H54-3968-03	ITEM CARTON CASE	E6
-		*	H54-4048-03	ITEM CARTON CASE	K1
241	3C	*	J19-7159-01	HOLDER	
242	1C	*	J21-9716-03	MOUNTING HARDWARE ASSY	
245	3C	*	J90-1143-03	GUIDE	
251	3C	*	K24-4675-04	PUSH KNOB (SRC)	
252	3C	*	K24-4652-04	PUSH KNOB (EJECT)	
253	3C	*	K24-4654-04	PUSH KNOB (RELEASE)	
254	3C	*	K25-1860-03	PUSH KNOB (MENU/ATT)	
255	3C	*	K25-1859-02	PUSH KNOB (PRESET)	
256	3C	*	K24-4676-04	PUSH KNOB (AME)	
257	3C	*	K28-0218-03	KEY TOP (FM/AM)	
259	3C	*	K28-0219-04	KNOB ASSY (FM/AM)	
262	1C		N84-4016-48	PAN HEAD TAPTITE SCREW	KM1K1
266	1C		N99-1757-05	SCREW SET	KM1K1
A	2C		N24-3015-48	E TYPE RETAINING RING	
B	3C		N80-2006-48	PAN HEAD TAPTITE SCREW	
C	2C		N80-2008-43	PAN HEAD TAPTITE SCREW	
D	1D		N83-3005-48	PAN HEAD TAPTITE SCREW	
K	3D		N83-3008-48	PAN HEAD TAPTITE SCREW	
268	1C		T90-0523-05	ANTENNA ADAPTOR	E1E2E3
268	1C		T90-0523-05	ANTENNA ADAPTOR	E4E5E6
269	1C		W01-1664-05	CARRYING CASE (EXCELON)	K1
269	1C		W01-1691-05	CARRYING CASE	KE1E2
269	1C		W01-1691-05	CARRYING CASE	E3E4E5
269	1C		W01-1691-05	CARRYING CASE	E6
DME1	1D	*	X92-5870-00	MECHANISM ASSY (DXM-6C20W)	
SWITCH UNIT (X16-389x-xx)					
D10-12			B30-1566-05	LED (1608,RED)	KE1E3
D10-12			B30-1566-05	LED (1608,RED)	E5E6K1
D13-15			B30-1565-05	LED (1608,PG)	E2E4M1
D13-15			B30-1565-05	LED (1608,PG)	E5E6
D16-18			B30-1566-05	LED (1608,RED)	KE1E3
D16-18			B30-1566-05	LED (1608,RED)	E5E6K1
D19-21			B30-1565-05	LED (1608,PG)	E2E4M1
D19-21			B30-1565-05	LED (1608,PG)	E5E6
D22-24			B30-1566-05	LED (1608,RED)	KE1E3
D22-24			B30-1566-05	LED (1608,RED)	E5E6K1
D25-27			B30-1565-05	LED (1608,PG)	E2E4M1
D25-27			B30-1565-05	LED (1608,PG)	E5E6
D28-30			B30-1566-05	LED (1608,RED)	KE1E3
D28-30			B30-1566-05	LED (1608,RED)	E5E6K1
D31-33			B30-1565-05	LED (1608,PG)	E2E4M1
D31-33			B30-1565-05	LED (1608,PG)	E5E6
D34			B30-1566-05	LED (1608,RED)	E2E4M1

K : KDC-MP435U K1 : KDC-X491 M1 : KDC-MP4036U E1 : KDC-W4537UA E2 : KDC-W4537UG
E3 : KDC-W4537UAY E4 : KDC-W4537UGY E5 : KDC-W4737U E6 : KDC-W4737UY

△ Indicates safety critical components.

KDC-MP4036U/MP435U/X491/W4537UA/W4537UAY /W4537UG/W4537UGY/W4737U/W4737UY PARTS LIST

SWITCH UNIT (X16-389x-xx)

Ref. No.	Add	New	Parts No.	Description	Desti- nation	Ref. No.	Add	New	Parts No.	Description	Desti- nation
D34,35			B30-1566-05	LED (1608,RED)	KE1E3	C36,37			CK73GB1H682K	CHIP C 6800PF K	
D34,35			B30-1566-05	LED (1608,RED)	E5E6K1	C38			CK73GB1H471K	CHIP C 470PF K	
D36			B30-1565-05	LED (1608,PG)	E2E4M1	C39			CK73FB1A225K	CHIP C 2.2UF K	
D36			B30-1565-05	LED (1608,PG)	E5E6	C51			CK73FB0J106K	CHIP C 10UF K	
D37		*	B30-1766-05	LED		C52			CK73GB1A105K	CHIP C 1.0UF K	
D40		*	B30-1766-05	LED		C53			CK73GB1H223K	CHIP C 0.022UF K	
D46		*	B30-1766-05	LED		C54			CK73GB1H332K	CHIP C 3300PF K	
C2			CK73GB1H103K	CHIP C 0.010UF K		C55			CK73GB1A334K	CHIP C 0.33UF K	
C3			CK73FB1A225K	CHIP C 2.2UF K		C56			CK73FB0J475K	CHIP C 4.7UF K	
C4			CC73GCH1H470J	CHIP C 47PF J		C57			CK73GB1H104K	CHIP C 0.10UF K	
C5			CK73GB0J225K	CHIP C 2.2UF K		C58			CC73GCH1H681J	CHIP C 680PF J	
C12			CK73GB1H103K	CHIP C 0.010UF K		C59			CK73GB1H104K	CHIP C 0.10UF K	
J1			E59-0852-05	RECTANGULAR PLUG		C60			CK73GB1H223K	CHIP C 0.022UF K	
J2	3C	*	E58-1062-05	RECTANGULAR RECEPTACLE		C61			CC73GCH1H102J	CHIP C 1000PF J	
L1			L92-0616-05	CHIP FERRITE		C62			CK73GB1C823K	CHIP C 0.082UF K	
CP1			RK74GB1J222J	CHIP-COM 2.2K J 1/16W	E5E6	C63			CC73GCH1H102J	CHIP C 1000PF J	
R3			RK73GB2A102J	CHIP R 1.0K J 1/10W		C64			CK73GB1A334K	CHIP C 0.33UF K	
R4-8			RK73GB2A221J	CHIP R 220 J 1/10W		C72			CK73GB1H104K	CHIP C 0.10UF K	
R9			RK73GB2A101J	CHIP R 100 J 1/10W		C74,75			CK73GB1H104K	CHIP C 0.10UF K	
R10			RK73GB2A104J	CHIP R 100K J 1/10W		C77,78			CK73GB1H104K	CHIP C 0.10UF K	
R13			RK73GB2A203J	CHIP R 20K J 1/10W		C81,82			CC73GCH1H150J	CHIP C 15PF J	
R15			RK73GB2A4R7J	CHIP R 4.7 J 1/10W		C84			CK73GB1A105K	CHIP C 1.0UF K	
R16			RK73GB2A102J	CHIP R 1.0K J 1/10W		C85			CK73GB1H102K	CHIP C 1000PF K	
R17		*	RK73PB2H9R1J	CHIP R 9.1 J 1/2W		CN1			E41-2612-05	FLAT CABLE CONNECTOR	
R20-23			RK73FB2B511J	CHIP R 510 J 1/8W	E2E4M1	CN2			E41-2083-15	FLAT CABLE CONNECTOR	
R20-23			RK73FB2B561J	CHIP R 560 J 1/8W	KE1E3	X2			L77-2867-05	CRYSTAL RESONATOR (16.9344MHZ)	
R20-23			RK73FB2B561J	CHIP R 560 J 1/8W	E5E6K1	CP1			RK74GA1J222J	CHIP-COM 2.2K J 1/16W	
R24			RK73EB2E751J	CHIP R 750 J 1/4W		CP2			RK74GA1J103J	CHIP-COM 10K J 1/16W	
R25			RK73EB2E561J	CHIP R 560 J 1/4W		CP4			RK74GA1J101J	CHIP-COM 100 J 1/16W	
R26			RK73EB2E821J	CHIP R 820 J 1/4W		CP11			RK74GA1J103J	CHIP-COM 10K J 1/16W	
R30			RK73GB2A100J	CHIP R 10 J 1/10W		R15			RK73GB2A103J	CHIP R 10K J 1/10W	
W1			R92-1252-05	CHIP R 0 OHM J 1/16W	KE1E3	R16			RK73GB2A102J	CHIP R 1.0K J 1/10W	
W1			R92-1252-05	CHIP R 0 OHM J 1/16W	K1	R23			RK73GB2A750J	CHIP R 75 J 1/10W	
W2			R92-1252-05	CHIP R 0 OHM J 1/16W	E2E4M1	R24			RK73GB2A101J	CHIP R 100 J 1/10W	
W4			R92-1252-05	CHIP R 0 OHM J 1/16W		R27			RK73GB2A101J	CHIP R 100 J 1/10W	
S2		*	S70-0942-05	TACT SWITCH		R31			RK73GB2A472J	CHIP R 4.7K J 1/10W	
D1			DA204U	DIODE		R32,33			RK73GB2A332J	CHIP R 3.3K J 1/10W	
D4-9			02DZ5.6F-Y	ZENER DIODE		R34			RK73GB2A562J	CHIP R 5.6K J 1/10W	
ED1			3-BT-224N	FLUORESCENT INDICATOR TUBE		R37			RK73GB2A103J	CHIP R 10K J 1/10W	
IC1			LC75756W	MOS-IC		R39			RK73GB2A103J	CHIP R 10K J 1/10W	
IC3			PNA4S22M02KW	ANALOGUE IC		R41			RK73GB2A103J	CHIP R 10K J 1/10W	
Q1,2			2SC4617	TRANSISTOR	E5E6	R51			RK73GB2A103J	CHIP R 10K J 1/10W	
CD PLAYER UNIT (X32-5980-02) IN CD MECHA											
C1			CK73GB1A105K	CHIP C 1.0UF K		R52			RK73GB2A562J	CHIP R 5.6K J 1/10W	
C3			CK73GB0J475K	CHIP C 4.7UF K		R53			RK73GB2A102J	CHIP R 1.0K J 1/10W	
C21,22			CK73GB1H104K	CHIP C 0.10UF K		R54,55			RK73GB2A562J	CHIP R 5.6K J 1/10W	
C24			CK73GB1H104K	CHIP C 0.10UF K		R56			RK73GB2A473J	CHIP R 47K J 1/10W	
C26			CK73GB1H104K	CHIP C 0.10UF K		R57			RK73GB2A273J	CHIP R 27K J 1/10W	
C31			CK73GB1C224K	CHIP C 0.22UF K		R58			RK73GB2A222J	CHIP R 2.2K J 1/10W	
C33			CK73GB1H472K	CHIP C 4700PF K		R59			RK73GB2A273J	CHIP R 27K J 1/10W	
C34			CK73GB1H682K	CHIP C 6800PF K		R60,61			RK73GB2A153J	CHIP R 15K J 1/10W	
C35			CK73GB1H102K	CHIP C 1000PF K		R62			RK73GB2A133J	CHIP R 13K J 1/10W	
						R63			RK73GB2A183J	CHIP R 18K J 1/10W	
						R64			RK73GB2A392J	CHIP R 3.9K J 1/10W	

K : KDC-MP435U K1 : KDC-X491 M1 : KDC-MP4036U E1 : KDC-W4537UA E2 : KDC-W4537UG
E3 : KDC-W4537UAY E4 : KDC-W4537UGY E5 : KDC-W4737U E6 : KDC-W4737UY

△ Indicates safety critical components.

KDC-MP4036U/MP435U/X491/W4537UA/W4537UAY
/W4537UG/W4537UGY/W4737U/W4737UY
PARTS LIST

CD PLAYER UNIT (X32-5980-02) IN CD MECHA

Ref. No.	Add	New	Parts No.	Description	Destination
R65,66			RK73GB2A153J	CHIP R 15K J 1/10W	
R73			RK73GB2A910J	CHIP R 91 J 1/10W	
R74			RK73GB2A472J	CHIP R 4.7K J 1/10W	
R75			RK73FB2B4R7J	CHIP R 4.7 J 1/8W	
R76			RK73GB2A104J	CHIP R 100K J 1/10W	
R77			RK73GB2A823J	CHIP R 82K J 1/10W	
R78			RK73GB2A821J	CHIP R 820 J 1/10W	
R79			RK73GB2A272J	CHIP R 2.7K J 1/10W	
R82-85			RK73GB2A103J	CHIP R 10K J 1/10W	
R86			RK73GB2A102J	CHIP R 1.0K J 1/10W	
R87			RK73GB2A105J	CHIP R 1.0M J 1/10W	
R88,89			RK73GB2A103J	CHIP R 10K J 1/10W	
R91,92			RK73GB2A103J	CHIP R 10K J 1/10W	
R100			RK73GB2A225J	CHIP R 2.2M J 1/10W	
R102			RK73GB2A000JX	CHIP R 0.0 J 1/10W	
R103			RK73GB2A2R2J	CHIP R 2.2 J 1/10W	
R105			RK73GB2A2R2J	CHIP R 2.2 J 1/10W	
R108			RK73EB2E4R7J	CHIP R 4.7 J 1/4W	
R110-112			RK73GB2A2R2J	CHIP R 2.2 J 1/10W	
R131			RK73GB2A103J	CHIP R 10K J 1/10W	
S1,2			S68-0863-05	PUSH SWITCH	
S3			S68-0862-05	PUSH SWITCH	
D1			DAN202U	DIODE	
D2			MA2S784-F	DIODE	
D3			DAN202U	DIODE	
IC1		*	MN6627781KB	MOS-IC	
IC2			XC6219B332PR	ANALOGUE IC	
IC6			BA5824FP	ANALOGUE IC	
Q3			UM6K1N	DUAL FET	
Q6			2SB1295-E	TRANSISTOR	
Q7			2SB0970	TRANSISTOR	
Q8,9			DTC114YUA	DIGITAL TRANSISTOR	

ELECTRIC UNIT (X34-466x-xx)

Ref. No.	Add	New	Parts No.	Description	Destination
D200			B30-1567-05	LED (1608,RED)	
C1			C90-6746-05	ELECTRO 3300UF 16WV	
C2			CK73FB1C105K	CHIP C 1.0UF K	
C3			CD04AY1A221M	ELECTRO 220UF 10WV	
C4			CD04BA0J101M	ELECTRO 100UF 6.3WV	
C5			C90-5692-05	ELECTRO 220UF 16WV	
C6			CK73GB1H103K	CHIP C 0.010UF K	
C7			CD04AS1V100M	ELECTRO 10UF 35WV	
C8			CD04AY1A101M	ELECTRO 100UF 10WV	
C9			CK73GB1A474K	CHIP C 0.47UF K	
C10			CD04AS1C220M	ELECTRO 22UF 16WV	
C11			CD04AS1V100M	ELECTRO 10UF 35WV	
C12			CK73FB1E474K	CHIP C 0.47UF K	
C14			CK73GB1H104K	CHIP C 0.10UF K	
C15,16			CD04BK1A221M	ELECTRO 220UF 10WV	
C17			CD04BK1E101M	ELECTRO 100UF 25WV	
C18,19			CK73GB1H104K	CHIP C 0.10UF K	
C20			CK73GB1H222K	CHIP C 2200PF K	
C21			CK73FB1C105K	CHIP C 1.0UF K	
C22			CK73GB1H472K	CHIP C 4700PF K	
C50			CK73GB1H104K	CHIP C 0.10UF K	

Ref. No.	Add	New	Parts No.	Description	Destination
C52			CK73GB1A105K	CHIP C 1.0UF K	
C53			CK73GB1H103K	CHIP C 0.010UF K	
C54			CD04AS1H3R3M	ELECTRO 3.3UF 50WV	
C55			CK73FB1C105K	CHIP C 1.0UF K	
C56,57			CK73GB1H103K	CHIP C 0.010UF K	
C58			CK73GB1H223K	CHIP C 0.022UF K	
C100			CK73GB1H104K	CHIP C 0.10UF K	
C101,102			CC73GCH1H220J	CHIP C 22PF J	
C104,105			CK73GB1H103K	CHIP C 0.010UF K	
C106			CK73GB1H102K	CHIP C 1000PF K	
C107,108			CK73GB1H103K	CHIP C 0.010UF K	
C110			CK73GB1H103K	CHIP C 0.010UF K	
C111,112			CK73GB1H104K	CHIP C 0.10UF K	
C113			CD04AS0J470M	ELECTRO 47UF 6.3WV	
C114,115			CK73GB1H103K	CHIP C 0.010UF K	
C204			CK73GB1H104K	CHIP C 0.10UF K	
C206			CK73GB1H104K	CHIP C 0.10UF K	
C207			CD04BK1A221M	ELECTRO 220UF 10WV	
C300,301			CD04AS1H3R3M	ELECTRO 3.3UF 50WV	
C302			CK73FB1C105K	CHIP C 1.0UF K	
C303,304			CC73GCH1H101J	CHIP C 100PF J	
C305,306			CD04AS1H2R2M	ELECTRO 2.2UF 50WV	
C307,308			CK73FB1E474K	CHIP C 0.47UF K	
C310-312			CD04AS1H2R2M	ELECTRO 2.2UF 50WV	
C313,314			CK73FB1C105K	CHIP C 1.0UF K	K1
C315			CK73GB1H103K	CHIP C 0.010UF K	
C316			CD04AS1V100M	ELECTRO 10UF 35WV	
C317			CD04AS1C470M	ELECTRO 47UF 16WV	KE1E2
C317			CD04AS1C470M	ELECTRO 47UF 16WV	E3E4M1
C317			CD04AS1C470M	ELECTRO 47UF 16WV	E5E6
C317,318			CD04AS1C470M	ELECTRO 47UF 16WV	K1
C319			CD04AS1C220M	ELECTRO 22UF 16WV	K1
C320			CD04AS1V100M	ELECTRO 10UF 35WV	K1
C321			CD04AS1C101M	ELECTRO 100UF 16WV	K1
C400			CK73FB1C105K	CHIP C 1.0UF K	
C402			CD04BA1C100M	ELECTRO 10UF 16WV	KK1
C402		*	CD04BA1E330M	ELECTRO 33UF 25WV	E1E2E3
C402		*	CD04BA1E330M	ELECTRO 33UF 25WV	E4M1E5
C402		*	CD04BA1E330M	ELECTRO 33UF 25WV	E6
C403-406			C90-5620-05	ELECTRO 0.47UF 50WV	
C414			CK73FB1C105K	CHIP C 1.0UF K	
C420,421			CC73GCH1H050C	CHIP C 5.0PF C	
C422			CC73GCH1H100D	CHIP C 10PF D	
C423,424			C90-6711-05	ELECTRO 1UF 50WV	
C500			CK73GB1H103K	CHIP C 0.010UF K	E1E2E3
C500			CK73GB1H103K	CHIP C 0.010UF K	E4E5E6
C501			CK73FB1A225K	CHIP C 2.2UF K	E1E2E3
C501			CK73FB1A225K	CHIP C 2.2UF K	E4E5E6
C502			CC73GCH1H331J	CHIP C 330PF J	E1E2E3
C502			CC73GCH1H331J	CHIP C 330PF J	E4E5E6
C503			CD04AS1V100M	ELECTRO 10UF 35WV	E1E2E3
C503			CD04AS1V100M	ELECTRO 10UF 35WV	E4E5E6
C504-507			CK73GB1H103K	CHIP C 0.010UF K	
C509,510			CC73GCH1H270J	CHIP C 27PF J	E1E2E3
C509,510			CC73GCH1H270J	CHIP C 27PF J	E4E5E6

K : KDC-MP435U K1 : KDC-X491 M1 : KDC-MP4036U E1 : KDC-W4537UA E2 : KDC-W4537UG
E3 : KDC-W4537UAY E4 : KDC-W4537UGY E5 : KDC-W4737U E6 : KDC-W4737UY

△ Indicates safety critical components.

KDC-MP4036U/MP435U/X491/W4537UA/W4537UAY /W4537UG/W4537UGY/W4737U/W4737UY PARTS LIST

ELECTRIC UNIT (X34-466x-xx)

Ref. No.	A	N	Parts No.	Description	Desti- nation	Ref. No.	A	N	Parts No.	Description	Desti- nation
	d	e					d	e			
C512			CG73GCH1H561J	CHIP C 560PF J	E1E2E3	C763			CK73GB1H104K	CHIP C 0.10UF K	
C512			CC73GCH1H561J	CHIP C 560PF J	E4E5E6	C764-768			CK73GB1H103K	CHIP C 0.010UF K	
C600			CD04AS1V100M	ELECTRO 10UF 35WV	KM1K1	C769			CK73GB1H104K	CHIP C 0.10UF K	
C601,602			CK73GB1H102K	CHIP C 1000PF K	KM1K1	C773			CK73GB1H103K	CHIP C 0.010UF K	
C603			CD04AS1V100M	ELECTRO 10UF 35WV	M1	C802			CK73GB1H103K	CHIP C 0.010UF K	E1E2E3
C603,604			CD04AS1V100M	ELECTRO 10UF 35WV	KK1	C802			CK73GB1H103K	CHIP C 0.010UF K	E4E5E6
C605,606			CK73GB1H102K	CHIP C 1000PF K	KK1	C803			CK73GB1H102K	CHIP C 1000PF K	E1E2E3
C607,608			CD04AS1V100M	ELECTRO 10UF 35WV	KK1	C803			CK73GB1H102K	CHIP C 1000PF K	E4E5E6
C608			CD04AS1V100M	ELECTRO 10UF 35WV	E1E2E3	C805			CK73GB1H102K	CHIP C 1000PF K	
C608			CD04AS1V100M	ELECTRO 10UF 35WV	E4M1E5	C806-808			CC73GCH1H471J	CHIP C 470PF J	
C608			CD04AS1V100M	ELECTRO 10UF 35WV	E6	C901-906			CK73GB1H103K	CHIP C 0.010UF K	KM1K1
C609,610			CK73GB1H102K	CHIP C 1000PF K	KK1	C911-918			CK73GB1H472K	CHIP C 4700PF K	E1E2E3
C611			CD04AS1V100M	ELECTRO 10UF 35WV		C911-918			CK73GB1H472K	CHIP C 4700PF K	E4E5E6
C612			CK73FB1E474K	CHIP C 0.47UF K	KM1E5	C919,920			CK73GB1H104K	CHIP C 0.10UF K	E1E2E3
C612			CK73FB1E474K	CHIP C 0.47UF K	E6K1	C919,920			CK73GB1H104K	CHIP C 0.10UF K	E4E5E6
C613			CD04AT0J470M	ELECTRO 47UF 6.3WV	KM1E5	C921-926			CC73GCH1H221J	CHIP C 220PF J	E1E2E3
C613			CD04AT0J470M	ELECTRO 47UF 6.3WV	E6K1	C921-926			CC73GCH1H221J	CHIP C 220PF J	E4E5E6
C614			CK73FB1E474K	CHIP C 0.47UF K	KM1E5	C930			CK73GB1H104K	CHIP C 0.10UF K	E1E2E3
C614			CK73FB1E474K	CHIP C 0.47UF K	E6K1	C930			CK73GB1H104K	CHIP C 0.10UF K	E4E5E6
C615			CK73GB1H103K	CHIP C 0.010UF K	KM1E5						
C615			CK73GB1H103K	CHIP C 0.010UF K	E6K1	291	2D	*	E30-6674-05	CORD WITH PLUG (ANT)	
C617			CK73FB1E474K	CHIP C 0.47UF K		CN5			E41-2352-05	FLAT CABLE CONNECTOR	
C618			CD04AS0J470M	ELECTRO 47UF 6.3WV		CN600			E40-6529-05	PIN ASSY	KK1
C619			CK73FB1E474K	CHIP C 0.47UF K		CN601			E40-6526-05	PIN ASSY	M1E5E6
C620			CK73GB1H103K	CHIP C 0.010UF K		J1			E58-0991-05	RECTANGULAR RECEPTACLE	
C700			CD04AS1V100M	ELECTRO 10UF 35WV		J200			E58-1060-05	RECTANGULAR RECEPTACLE	
C702			CK73GB1H104K	CHIP C 0.10UF K	KM1E5	J600			E63-0896-05	PIN JACK	KM1K1
C702			CK73GB1H104K	CHIP C 0.10UF K	E6K1	J601			E56-0855-05	CYLINDRICAL RECEPTACLE	
C703			CC73GCH1H220J	CHIP C 22PF J	KM1E5	J602			E63-0937-05	PIN JACK	E1E2E3
C703			CC73GCH1H220J	CHIP C 22PF J	E6K1	J602			E63-0937-05	PIN JACK	E4E5E6
C705			CC73GCH1H220J	CHIP C 22PF J	KM1E5	WH1	2D	*	E30-6706-05	WIRING HARNESS (REMOTE)	E1E2E5
C705			CC73GCH1H220J	CHIP C 22PF J	E6K1	L1		*	L33-2365-05	CHOKE COIL ASSY	
C711			CD04AS1V100M	ELECTRO 10UF 35WV		L2		*	L33-2362-05	CHOKE COIL	
C713			CK73GB1H104K	CHIP C 0.10UF K		L100			L41-4795-33	SMALL FIXED INDUCTOR (4.7UH)	
C714			CD04AS1V100M	ELECTRO 10UF 35WV		L500			L41-4795-33	SMALL FIXED INDUCTOR (4.7UH)	E1E2E3
C715			CC73GCH1H151J	CHIP C 150PF J		L500			L41-4795-33	SMALL FIXED INDUCTOR (4.7UH)	E4E5E6
C719			CK73GB1H104K	CHIP C 0.10UF K		L700			L92-0615-05	CHIP FERRITE	
C720			CC73GCH1H681J	CHIP C 680PF J		X100			L78-0872-05	RESONATOR (12MHZ)	
C722			CD04AS1V100M	ELECTRO 10UF 35WV		X101			L77-2880-05	CRYSTAL RESONATOR	
C723			CK73GB1A105K	CHIP C 1.0UF K		X500			L77-2002-05	CRYSTAL RESONATOR	E1E2E3
C725			CK73GB1H104K	CHIP C 0.10UF K		X500			L77-2002-05	CRYSTAL RESONATOR	E4E5E6
C726			CK73GB1A105K	CHIP C 1.0UF K		X700			L77-2880-05	CRYSTAL RESONATOR	KM1E5
C728			CC73GCH1H681J	CHIP C 680PF J		X700			L77-2880-05	CRYSTAL RESONATOR	E6K1
C731			CC73GCH1H151J	CHIP C 150PF J		X701			L77-2908-05	CRYSTAL RESONATOR (12.000MHZ)	
C732			CK73GB1H473K	CHIP C 0.047UF K		F	2D		N80-3010-48	PAN HEAD TAPTITE SCREW	
C736			CK73GB1A105K	CHIP C 1.0UF K		G	2D		N83-3005-48	PAN HEAD TAPTITE SCREW	
C737			CD04AS1V100M	ELECTRO 10UF 35WV		H	2D		N83-3020-48	PAN HEAD TAPTITE SCREW	
C738			CK73GB1A105K	CHIP C 1.0UF K		L	2D		N82-2608-48	BINDING HEAD TAPTITE SCREW	
C739,740			CC73GCH1H120J	CHIP C 12PF J							
C741			CK73FB0J106K	CHIP C 10UF K		CP100,101			RK74GB1J101J	CHIP-COM 100 J 1/16W	
C742-744			CK73GB1H103K	CHIP C 0.010UF K		CP103			RK74GA1J222J	CHIP-COM 2.2K J 1/16W	
C745			CC73GCH1H331J	CHIP C 330PF J		CP104			RK74GA1J101J	CHIP-COM 100 J 1/16W	
C746,747			CK73GB1H103K	CHIP C 0.010UF K		CP105			RK74GA1J103J	CHIP-COM 10K J 1/16W	
C749			CK73FB0J106K	CHIP C 10UF K		CP107,108			RK74GA1J101J	CHIP-COM 100 J 1/16W	
C750-762			CK73GB1H103K	CHIP C 0.010UF K		CP700			RK74HB1J330J	CHIP-COM 33 J 1/16W	

K : KDC-MP435U K1 : KDC-X491 M1 : KDC-MP4036U E1 : KDC-W4537UA E2 : KDC-W4537UG
E3 : KDC-W4537UAY E4 : KDC-W4537UGY E5 : KDC-W4737U E6 : KDC-W4737UY

△ Indicates safety critical components.

KDC-MP4036U/MP435U/X491/W4537UA/W4537UAY
/W4537UG/W4537UGY/W4737U/W4737UY
PARTS LIST

ELECTRIC UNIT (X34-466x-xx)

Ref. No.	A d d	N e w	Parts No.	Description	Desti- nation	Ref. No.	A d d	N e w	Parts No.	Description	Desti- nation
CP701			RK74GA1J101J	CHIP-COM 100 J 1/16W		R116			RK73GB2A223J	CHIP R 22K J 1/10W	E4E5E6
CP703,704			RK74HB1J330J	CHIP-COM 33 J 1/16W		R117			RK73GB2A102J	CHIP R 1.0K J 1/10W	
CP705			RK74HB1J101J	CHIP-COM 100 J 1/16W		R118			RK73GB2A103J	CHIP R 10K J 1/10W	
CP706-708			RK74HB1J330J	CHIP-COM 33 J 1/16W		R121			RK73GB2A104J	CHIP R 100K J 1/10W	
CP709-711			RK74HB1J101J	CHIP-COM 100 J 1/16W		R122			RK73GB2A101J	CHIP R 100 J 1/10W	
CP712-719			RK74HB1J100J	CHIP-COM 10 J 1/16W		R123,124			RK73GB2A104J	CHIP R 100K J 1/10W	
CP720			RK74HB1J223J	CHIP-COM 22K J 1/16W		R125			RK73GB2A472J	CHIP R 4.7K J 1/10W	
R1,2			RK73EB2E103J	CHIP R 10K J 1/4W		R126			RK73GB2A222J	CHIP R 2.2K J 1/10W	KM1K1
R3			RK73FB2B221J	CHIP R 220 J 1/8W		R126,127			RK73GB2A222J	CHIP R 2.2K J 1/10W	E1E2E3
R4			RK73GH2A243D	CHIP R 24K D 1/10W		R126,127			RK73GB2A222J	CHIP R 2.2K J 1/10W	E4E5E6
R5			RK73GH2A432D	CHIP R 4.3K D 1/10W		R128			RK73GB2A101J	CHIP R 100 J 1/10W	
R6			RK73FB2B123J	CHIP R 12K J 1/8W		R131			RK73GB2A473J	CHIP R 47K J 1/10W	
R8			RK73FB2B152J	CHIP R 1.5K J 1/8W		R132			RK73GB2A471J	CHIP R 470 J 1/10W	
R9			RK73GB2A104J	CHIP R 100K J 1/10W		R133,134			RK73GB2A104J	CHIP R 100K J 1/10W	
R10			RK73FB2B681J	CHIP R 680 J 1/8W		R135			RK73GB2A471J	CHIP R 470 J 1/10W	
R11			RK73GB2A104J	CHIP R 100K J 1/10W		R136			RK73GB2A472J	CHIP R 4.7K J 1/10W	
R12			RK73FB2B222J	CHIP R 2.2K J 1/8W		R137			RK73GB2A102J	CHIP R 1.0K J 1/10W	
R13			RK73GB2A473J	CHIP R 47K J 1/10W		R138			RK73GB2A104J	CHIP R 100K J 1/10W	
R14			RK73GH2A623D	CHIP R 62K D 1/10W		R139			RK73GB2A102J	CHIP R 1.0K J 1/10W	
R15			RK73GH2A153D	CHIP R 15K D 1/10W		R140			RK73GB2A101J	CHIP R 100 J 1/10W	
R16			RK73GB2A102J	CHIP R 1.0K J 1/10W		R141			RK73GB2A472J	CHIP R 4.7K J 1/10W	
R17			RK73GB2A683J	CHIP R 68K J 1/10W		R142			RK73GB2A101J	CHIP R 100 J 1/10W	
R18			RK73GB2A104J	CHIP R 100K J 1/10W		R146			RK73GB2A102J	CHIP R 1.0K J 1/10W	
R19			RK73GB2A223J	CHIP R 22K J 1/10W		R147			RK73GB2A222J	CHIP R 2.2K J 1/10W	
R20			RK73FB2B822J	CHIP R 8.2K J 1/8W		R148			RK73GB2A472J	CHIP R 4.7K J 1/10W	
R25			RK73GB2A223J	CHIP R 22K J 1/10W		R149			RK73GB2A222J	CHIP R 2.2K J 1/10W	
R50,51			RK73GB2A103J	CHIP R 10K J 1/10W		R151,152			RK73GB2A104J	CHIP R 100K J 1/10W	
R52			RK73GB2A223J	CHIP R 22K J 1/10W	KM1K1	R153			RK73GB2A101J	CHIP R 100 J 1/10W	
R54			RK73PB2H221J	CHIP R 220 J 1/2W	KM1K1	R154,155			RK73GB2A392J	CHIP R 3.9K J 1/10W	
R56			RK73PB2H221J	CHIP R 220 J 1/2W	KM1K1	R157			RK73GB2A223J	CHIP R 22K J 1/10W	
R57			R92-5024-05	CHIP R 1K J 3/4W		R158			RK73GB2A104J	CHIP R 100K J 1/10W	
R59			RK73GB2A183J	CHIP R 18K J 1/10W		R159			RK73GB2A223J	CHIP R 22K J 1/10W	M1
R60			RK73GB2A223J	CHIP R 22K J 1/10W		R159			RK73GB2A473J	CHIP R 47K J 1/10W	KE3E4
R61			RK73GB2A104J	CHIP R 100K J 1/10W		R159			RK73GB2A473J	CHIP R 47K J 1/10W	E6K1
R62			RK73GB2A473J	CHIP R 47K J 1/10W		R159-161			RK73GB2A223J	CHIP R 22K J 1/10W	E2
R63,64			RK73GB2A104J	CHIP R 100K J 1/10W		R159-162			RK73GB2A223J	CHIP R 22K J 1/10W	E5
R65			RK73FB2B203J	CHIP R 20K J 1/8W		R159,160			RK73GB2A223J	CHIP R 22K J 1/10W	E1
R66			R92-5024-05	CHIP R 1K J 3/4W		R160			RK73GB2A223J	CHIP R 22K J 1/10W	E3
R67			RK73EB2E472J	CHIP R 4.7K J 1/4W		R160-162			RK73GB2A223J	CHIP R 22K J 1/10W	E6
R68			RK73EB2E473J	CHIP R 47K J 1/4W		R160,161			RK73GB2A223J	CHIP R 22K J 1/10W	E4
R69			R92-5088-05	CHIP R 3.3K J 3/4W		R160,161			RK73GB2A473J	CHIP R 47K J 1/10W	M1
R70			RK73FB2B472J	CHIP R 4.7K J 1/8W		R161			RK73GB2A223J	CHIP R 22K J 1/10W	K1
R71			RK73FB2B683J	CHIP R 68K J 1/8W		R161			RK73GB2A473J	CHIP R 47K J 1/10W	KE1E3
R72			RK73GB2A393J	CHIP R 39K J 1/10W		R162			RK73GB2A473J	CHIP R 47K J 1/10W	E2E4K1
R100			RK73GB2A225J	CHIP R 2.2M J 1/10W		R164			RK73GB2A473J	CHIP R 47K J 1/10W	
R101-103			RK73GB2A104J	CHIP R 100K J 1/10W		R165			RK73GB2A104J	CHIP R 100K J 1/10W	
R104			RK73GB2A473J	CHIP R 47K J 1/10W		R201			RK73GB2A241J	CHIP R 240 J 1/10W	
R105			RK73GB2A103J	CHIP R 10K J 1/10W		R206			RK73EB2E102J	CHIP R 1.0K J 1/4W	
R107			RK73GB2A102J	CHIP R 1.0K J 1/10W		R207,208			RK73EB2E101J	CHIP R 100 J 1/4W	
R110			RK73GB2A222J	CHIP R 2.2K J 1/10W		R209			RK73EB2E102J	CHIP R 1.0K J 1/4W	
R111			RK73GB2A473J	CHIP R 47K J 1/10W		R210-214			RK73EB2E101J	CHIP R 100 J 1/4W	
R112			RK73GB2A101J	CHIP R 100 J 1/10W		R215			RK73EB2E102J	CHIP R 1.0K J 1/4W	
R113			RK73GB2A102J	CHIP R 1.0K J 1/10W		R216,217			RK73GB2A153J	CHIP R 15K J 1/10W	
R115			RK73GB2A102J	CHIP R 1.0K J 1/10W		R218,219			RK73GB2A101J	CHIP R 100 J 1/10W	
R116			RK73GB2A223J	CHIP R 22K J 1/10W	E1E2E3	R220			RK73EB2E102J	CHIP R 1.0K J 1/4W	E1E2E5

K : KDC-MP435U K1 : KDC-X491 M1 : KDC-MP4036U E1 : KDC-W4537UA E2 : KDC-W4537UG
E3 : KDC-W4537UAY E4 : KDC-W4537UGY E5 : KDC-W4737U E6 : KDC-W4737UY

△ Indicates safety critical components.

KDC-MP4036U/MP435U/X491/W4537UA/W4537UAY /W4537UG/W4537UGY/W4737U/W4737UY PARTS LIST

ELECTRIC UNIT (X34-466x-xx)

Ref. No.	A d d	N e w	Parts No.	Description	Desti- nation	Ref. No.	A d d	N e w	Parts No.	Description	Desti- nation
R224			RK73PB2H100J	CHIP R 10 J 1/2W		R610			RK73FB2B181J	CHIP R 180 J 1/8W	KK1
R300,301			RK73GB2A103J	CHIP R 10K J 1/10W		R611			RK73GB2A331J	CHIP R 330 J 1/10W	KK1
R302,303			RK73GB2A101J	CHIP R 100 J 1/10W		R612			RK73FB2B181J	CHIP R 180 J 1/8W	KK1
R304			RK73EB2E2R2J	CHIP R 2.2 J 1/4W		R613			RK73GB2A331J	CHIP R 330 J 1/10W	
R305			RK73GB2A2R2J	CHIP R 2.2 J 1/10W	K1	R614,615			RK73GB2A223J	CHIP R 22K J 1/10W	
R306			RK73GB2A332J	CHIP R 3.3K J 1/10W	K1	R616			RK73FB2B181J	CHIP R 180 J 1/8W	KK1
R307			RK73GB2A2R2J	CHIP R 2.2 J 1/10W	K1	R617			RK73GB2A331J	CHIP R 330 J 1/10W	
R308			RK73GB2A221J	CHIP R 220 J 1/10W	K1	R618			RK73EB2E100J	CHIP R 10 J 1/4W	KM1E5
R309-311			RK73GB2A102J	CHIP R 1.0K J 1/10W	K1	R618			RK73EB2E100J	CHIP R 10 J 1/4W	E6K1
R312			RK73GB2A513J	CHIP R 51K J 1/10W	K1	R619			RK73GB2A123J	CHIP R 12K J 1/10W	KM1E5
R313			RK73GB2A472J	CHIP R 4.7K J 1/10W	K1	R619			RK73GB2A123J	CHIP R 12K J 1/10W	E6K1
R314			RK73FB2B102J	CHIP R 1.0K J 1/8W	K1	R620			RK73EB2E4R7J	CHIP R 4.7 J 1/4W	KM1E5
R315			RK73GB2A473J	CHIP R 47K J 1/10W	K1	R620			RK73EB2E4R7J	CHIP R 4.7 J 1/4W	E6K1
R316			RK73PB2H220J	CHIP R 22 J 1/2W	K1	R621			RK73GB2A123J	CHIP R 12K J 1/10W	KM1E5
R317			RK73GB2A222J	CHIP R 2.2K J 1/10W	K1	R621			RK73GB2A123J	CHIP R 12K J 1/10W	E6K1
R400			RK73GB2A154J	CHIP R 150K J 1/10W	KK1	R622			RK73EB2E100J	CHIP R 10 J 1/4W	KM1E5
R400			RK73GB2A333J	CHIP R 33K J 1/10W	E1E2E3	R622			RK73EB2E100J	CHIP R 10 J 1/4W	E6K1
R400			RK73GB2A333J	CHIP R 33K J 1/10W	E4M1E5	R623			RK73GB2A102J	CHIP R 1.0K J 1/10W	KM1E5
R400			RK73GB2A333J	CHIP R 33K J 1/10W	E6	R623			RK73GB2A102J	CHIP R 1.0K J 1/10W	E6K1
R401			RK73GB2A104J	CHIP R 100K J 1/10W		R624			RK73EB2E432J	CHIP R 4.3K J 1/4W	
R402			RK73GB2A102J	CHIP R 1.0K J 1/10W		R625			RK73EB2E101J	CHIP R 100 J 1/4W	
R403			RK73GB2A432J	CHIP R 4.3K J 1/10W		R626			RK73EB2E432J	CHIP R 4.3K J 1/4W	
R404			RK73GB2A100J	CHIP R 10 J 1/10W		R627-631			RK73EB2E101J	CHIP R 100 J 1/4W	
R405			RK73GB2A221J	CHIP R 220 J 1/10W	E1E2E3	R632			RK73EB2E100J	CHIP R 10 J 1/4W	
R405			RK73GB2A221J	CHIP R 220 J 1/10W	E4M1E5	R633			RK73EB2E4R7J	CHIP R 4.7 J 1/4W	
R405			RK73GB2A221J	CHIP R 220 J 1/10W	E6	R634			RK73EB2E100J	CHIP R 10 J 1/4W	
R405			RK73GB2A331J	CHIP R 330 J 1/10W	KK1	R635			RK73GB2A102J	CHIP R 1.0K J 1/10W	
R406			RK73GB2A154J	CHIP R 150K J 1/10W	KK1	R636,637			RK73FB2B181J	CHIP R 180 J 1/8W	E1E2E3
R406			RK73GB2A223J	CHIP R 22K J 1/10W	E1E2E3	R636,637			RK73FB2B181J	CHIP R 180 J 1/8W	E4M1E5
R406			RK73GB2A223J	CHIP R 22K J 1/10W	E4M1E5	R636,637			RK73FB2B181J	CHIP R 180 J 1/8W	E6
R406			RK73GB2A223J	CHIP R 22K J 1/10W	E6	R702			RK73GB2A473J	CHIP R 47K J 1/10W	KM1E5
R407			RK73GB2A562J	CHIP R 5.6K J 1/10W	KK1	R702			RK73GB2A473J	CHIP R 47K J 1/10W	E6K1
R407			RK73GB2A912J	CHIP R 9.1K J 1/10W	E1E2E3	R703			RK73GB2A515J	CHIP R 5.1M J 1/10W	KM1E5
R407			RK73GB2A912J	CHIP R 9.1K J 1/10W	E4M1E5	R703			RK73GB2A515J	CHIP R 5.1M J 1/10W	E6K1
R407			RK73GB2A912J	CHIP R 9.1K J 1/10W	E6	R704			RK73GB2A101J	CHIP R 100 J 1/10W	KM1E5
R410,411			RK73GB2A331J	CHIP R 330 J 1/10W		R704			RK73GB2A101J	CHIP R 100 J 1/10W	E6K1
R412			RK73GB2A161J	CHIP R 160 J 1/10W		R705			RK73GB2A473J	CHIP R 47K J 1/10W	KM1E5
R502			RK73GB2A102J	CHIP R 1.0K J 1/10W	E1E2E3	R705			RK73GB2A473J	CHIP R 47K J 1/10W	E6K1
R502			RK73GB2A102J	CHIP R 1.0K J 1/10W	E4E5E6	R706			RK73GB2A123J	CHIP R 12K J 1/10W	
R503			RK73GB2A223J	CHIP R 22K J 1/10W		R707			RK73GB2A473J	CHIP R 47K J 1/10W	KM1E5
R504,505			RK73GB2A471J	CHIP R 470 J 1/10W		R707			RK73GB2A473J	CHIP R 47K J 1/10W	E6K1
R506,507			RK73GB2A472J	CHIP R 4.7K J 1/10W		R709,710			RK73GB2A473J	CHIP R 47K J 1/10W	KM1E5
R508			RK73FB2B102J	CHIP R 1.0K J 1/8W		R709,710			RK73GB2A473J	CHIP R 47K J 1/10W	E6K1
R509-511			RK73GB2A222J	CHIP R 2.2K J 1/10W	E1E2E3	R711			RK73GH2A392D	CHIP R 3.9K D 1/10W	
R509-511			RK73GB2A222J	CHIP R 2.2K J 1/10W	E4E5E6	R712			RK73GB2A103J	CHIP R 10K J 1/10W	
R512			RK73GB2A512J	CHIP R 5.1K J 1/10W	E1E2E3	R713			RK73GH2A822D	CHIP R 8.2K D 1/10W	
R512			RK73GB2A512J	CHIP R 5.1K J 1/10W	E4E5E6	R714			RK73GH2A682D	CHIP R 6.8K D 1/10W	
R600			RK73FB2B181J	CHIP R 180 J 1/8W	KM1K1	R717			RK73GB2A221J	CHIP R 220 J 1/10W	
R601			RK73GB2A331J	CHIP R 330 J 1/10W	KM1K1	R718,719			RK73GB2A473J	CHIP R 47K J 1/10W	KM1E5
R602,603			RK73GB2A223J	CHIP R 22K J 1/10W	KM1K1	R718,719			RK73GB2A473J	CHIP R 47K J 1/10W	E6K1
R604			RK73FB2B181J	CHIP R 180 J 1/8W	KM1K1	R720			RK73GH2A104D	CHIP R 100K D 1/10W	KM1E5
R605			RK73GB2A331J	CHIP R 330 J 1/10W	KM1K1	R720			RK73GH2A104D	CHIP R 100K D 1/10W	E6K1
R606			RK73FB2B181J	CHIP R 180 J 1/8W	KK1	R721			RK73GB2A473J	CHIP R 47K J 1/10W	KM1E5
R607			RK73GB2A331J	CHIP R 330 J 1/10W	KK1	R721			RK73GB2A473J	CHIP R 47K J 1/10W	E6K1
R608,609			RK73GB2A223J	CHIP R 22K J 1/10W	KK1	R722			RK73GB2A101J	CHIP R 100 J 1/10W	KM1E5

K : KDC-MP435U K1 : KDC-X491 M1 : KDC-MP4036U E1 : KDC-W4537UA E2 : KDC-W4537UG
E3 : KDC-W4537UAY E4 : KDC-W4537UGY E5 : KDC-W4737U E6 : KDC-W4737UY

△ Indicates safety critical components.

KDC-MP4036U/MP435U/X491/W4537UA/W4537UAY
/W4537UG/W4537UGY/W4737U/W4737UY
PARTS LIST

ELECTRIC UNIT (X34-466x-xx)

Ref. No.	A	N	Parts No.	Description	Desti- nation	Ref. No.	A	N	Parts No.	Description	Desti- nation
	d	e					d	e			
R722			RK73GB2A101J	CHIP R 100 J 1/10W	E6K1	R794			RK73GB2A101J	CHIP R 100 J 1/10W	
R723,724			RK73GB2A473J	CHIP R 47K J 1/10W	KM1E5	R795			RK73GB2A470J	CHIP R 47 J 1/10W	
R723,724			RK73GB2A473J	CHIP R 47K J 1/10W	E6K1	R796			RK73GB2A101J	CHIP R 100 J 1/10W	
R725			RK73GB2A102J	CHIP R 1.0K J 1/10W	KM1E5	R797			RK73GB2A103J	CHIP R 10K J 1/10W	
R725			RK73GB2A102J	CHIP R 1.0K J 1/10W	E6K1	R798-800			RK73GB2A470J	CHIP R 47 J 1/10W	
R729			RK73GB2A103J	CHIP R 10K J 1/10W		R801-804			RK73GB2A101J	CHIP R 100 J 1/10W	
R731			RK73GH2A822D	CHIP R 8.2K D 1/10W		R805,806			RK73GB2A100J	CHIP R 10 J 1/10W	
R732			RK73GH2A682D	CHIP R 6.8K D 1/10W		R807-815			RK73GB2A223J	CHIP R 22K J 1/10W	
R734			RK73GH2A392D	CHIP R 3.9K D 1/10W		R816-819			RK73GB2A100J	CHIP R 10 J 1/10W	
R735,736			RK73GB2A223J	CHIP R 22K J 1/10W		R820,821			RK73GB2A101J	CHIP R 100 J 1/10W	
R738,739			RK73GB2A222J	CHIP R 2.2K J 1/10W		R824			RK73GB2A103J	CHIP R 10K J 1/10W	
R740			RK73GB2A101J	CHIP R 100 J 1/10W		R911			RK73GB2A100J	CHIP R 10 J 1/10W	E1E2E3
R741,742			RK73GB2A222J	CHIP R 2.2K J 1/10W	KM1E5	R911			RK73GB2A100J	CHIP R 10 J 1/10W	E4E5E6
R741,742			RK73GB2A222J	CHIP R 2.2K J 1/10W	E6K1	R913-916			RK73GB2A000J	CHIP R 0.0 J 1/10W	KM1K1
R743			RK73GB2A223J	CHIP R 22K J 1/10W		R913-916			RK73GB2A470J	CHIP R 47 J 1/10W	E1E2E3
R744			RK73GB2A561J	CHIP R 560 J 1/10W		R913-916			RK73GB2A470J	CHIP R 47 J 1/10W	E4E5E6
R745			RK73GB2A100J	CHIP R 10 J 1/10W		R930			RK73GB2A101J	CHIP R 100 J 1/10W	
R746			RK73GB2A101J	CHIP R 100 J 1/10W		R950,951			RK73GB2A100J	CHIP R 10 J 1/10W	E1E2E3
R747			RK73GB2A223J	CHIP R 22K J 1/10W		R950,951			RK73GB2A100J	CHIP R 10 J 1/10W	E4E5E6
R748			RK73GB2A100J	CHIP R 10 J 1/10W		R960			RK73GB2A220J	CHIP R 22 J 1/10W	
R749			RK73GB2A515J	CHIP R 5.1M J 1/10W		R961,962			RK73GB2A470J	CHIP R 47 J 1/10W	
R750			RK73GB2A100J	CHIP R 10 J 1/10W		W2			R92-1252-05	CHIP R 0 OHM J 1/16W	E1E2E3
R753			RK73GB2A153J	CHIP R 15K J 1/10W		W2			R92-1252-05	CHIP R 0 OHM J 1/16W	E4E5E6
R754			RK73GB2A101J	CHIP R 100 J 1/10W		W300			R92-2053-05	CHIP R 0 OHM J 1/8W	KE1E2
R755,756			RK73GB2A470J	CHIP R 47 J 1/10W	KM1E5	W300			R92-2053-05	CHIP R 0 OHM J 1/8W	E3E4M1
R755,756			RK73GB2A470J	CHIP R 47 J 1/10W	E6K1	W300			R92-2053-05	CHIP R 0 OHM J 1/8W	E5E6
R758			RK73GB2A332J	CHIP R 3.3K J 1/10W		W400			R92-1252-05	CHIP R 0 OHM J 1/16W	KK1
R759-762			RK73GB2A223J	CHIP R 22K J 1/10W	KM1E5	W401			R92-1252-05	CHIP R 0 OHM J 1/16W	E1E2E3
R759-762			RK73GB2A223J	CHIP R 22K J 1/10W	E6K1	W401			R92-1252-05	CHIP R 0 OHM J 1/16W	E4M1E5
R759-765			RK73GB2A223J	CHIP R 22K J 1/10W	E1E2E3	W401			R92-1252-05	CHIP R 0 OHM J 1/16W	E6
R759-765			RK73GB2A223J	CHIP R 22K J 1/10W	E4	W402-404			R92-1252-05	CHIP R 0 OHM J 1/16W	KK1
R764,765			RK73GB2A223J	CHIP R 22K J 1/10W	KM1E5	W404			R92-1252-05	CHIP R 0 OHM J 1/16W	E1E2E3
R764,765			RK73GB2A223J	CHIP R 22K J 1/10W	E6K1	W404			R92-1252-05	CHIP R 0 OHM J 1/16W	E4M1E5
R766			RK73GB2A100J	CHIP R 10 J 1/10W		W404			R92-1252-05	CHIP R 0 OHM J 1/16W	E6
R767			RK73GB2A223J	CHIP R 22K J 1/10W		W501			R92-1252-05	CHIP R 0 OHM J 1/16W	E1E2E3
R768			RK73GB2A100J	CHIP R 10 J 1/10W		W501			R92-1252-05	CHIP R 0 OHM J 1/16W	E4E5E6
R769			RK73GB2A104J	CHIP R 100K J 1/10W		W900			R92-1252-05	CHIP R 0 OHM J 1/16W	
R770			RK73GB2A223J	CHIP R 22K J 1/10W		D1			S2V60-5009F46	DIODE	
R771,772			RK73GB2A680J	CHIP R 68 J 1/10W		D2			RB160L-40	DIODE	
R773			RK73GB2A102J	CHIP R 1.0K J 1/10W		D3			UDZS5.6B	ZENER DIODE	
R774			RK73GB2A680J	CHIP R 68 J 1/10W		D5			UDZS8.2B	ZENER DIODE	
R775			RK73GB2A153J	CHIP R 15K J 1/10W		D6			UDZS20B	ZENER DIODE	
R776			RK73GB2A330J	CHIP R 33 J 1/10W		D7			UDZS12B	ZENER DIODE	
R777			RK73GB2A153J	CHIP R 15K J 1/10W		D9			RB081L-20	DIODE	
R778			RK73GB2A330J	CHIP R 33 J 1/10W		D50,51			D1F60-5063	DIODE	
R779			RK73GB2A101J	CHIP R 100 J 1/10W		D52			UDZS6.2B	ZENER DIODE	
R781			RK73GB2A104J	CHIP R 100K J 1/10W		D53			UDZS6.8B	ZENER DIODE	
R782-784			RK73GB2A101J	CHIP R 100 J 1/10W		D55			UDZS6.8B	ZENER DIODE	
R786			RK73GB2A101J	CHIP R 100 J 1/10W		D57			MC2846	DIODE	
R787			RK73GB2A104J	CHIP R 100K J 1/10W		D58			Q2DZ4.7F-Y	ZENER DIODE	
R788			RK73GB2A102J	CHIP R 1.0K J 1/10W		D59-61			D1F60-5063	DIODE	
R789			RK73GB2A104J	CHIP R 100K J 1/10W		D213			Q2DZ6.2F-Y	ZENER DIODE	E1E2E5
R790			RK73GB2A680J	CHIP R 68 J 1/10W		D219,220			IMSA-6802-E	SURGE ABSORBER	
R791,792			RK73GB2A104J	CHIP R 100K J 1/10W		D304-306			MC2846	DIODE	
R793			RK73GB2A220J	CHIP R 22 J 1/10W							

K : KDC-MP435U K1 : KDC-X491 M1 : KDC-MP4036U E1 : KDC-W4537UA E2 : KDC-W4537UG
E3 : KDC-W4537UAY E4 : KDC-W4537UGY E5 : KDC-W4737U E6 : KDC-W4737UY

△ Indicates safety critical components.

KDC-MP4036U/MP435U/X491/W4537UA/W4537UAY /W4537UG/W4537UGY/W4737U/W4737UY PARTS LIST

ELECTRIC UNIT (X34-466x-xx)

Ref. No.	Add	New	Parts No.	Description	Desti- nation	Ref. No.	Add	New	Parts No.	Description	Desti- nation
D307			D1F60-5063	DIODE	K1	Q16-18			RT1N241M	TRANSISTOR	
D308			UDZS12B	ZENER DIODE	K1	Q20			RT1P241M	TRANSISTOR	K1
D309			UDZS5.6B	ZENER DIODE	K1	Q21			RT1N241M	TRANSISTOR	K1
D408,409			MC2846	DIODE		Q50			RT1N144M	TRANSISTOR	
D411			MC2846	DIODE	K1	Q51			2SC4081	TRANSISTOR	
D602			MC2846	DIODE	KM1K1	Q52			RT1P141M	TRANSISTOR	
D607			MC2846	DIODE		Q53			RT1N144M	TRANSISTOR	KM1K1
D608-610			02DZ6.8F-Y	ZENER DIODE	KM1E5	Q54			2SA1576A	TRANSISTOR	
D608-610			02DZ6.8F-Y	ZENER DIODE	E6K1	Q56			2SB1188(Q,R)	TRANSISTOR	KM1K1
D611-616			02DZ6.2F-Y	ZENER DIODE		Q57			2SC4081	TRANSISTOR	
D619			02DZ6.2F-Y	ZENER DIODE		Q58			2SB1188(Q,R)	TRANSISTOR	
D620,621			02DZ6.8F-Y	ZENER DIODE		Q59			2SC4081	TRANSISTOR	
D700			MC2846	DIODE		Q60			RT1N441M	TRANSISTOR	
IC1			BD9781HFP	ANALOGUE IC		Q200			RT1N144M	TRANSISTOR	
IC2			M5237ML-CF0J	ANALOGUE IC		Q300			2SB1443	TRANSISTOR	K1
IC100			S-80836CNNB-J	MOS-IC		Q301,302			2SC4081	TRANSISTOR	K1
IC102		*	30624MWPB41GP	MICROCONTROLLER IC		Q500			2SB1689	TRANSISTOR	
IC103		*	74HC2G02DP	MOS-IC		Q501			RT1N241M	TRANSISTOR	
IC200			MIC2026-1YM	MOS-IC		Q600			DTC143TUA	DIGITAL TRANSISTOR	KM1K1
IC300			E-TDA7415CB	ANALOGUE IC		Q601			RT1P241M	TRANSISTOR	KM1K1
IC301			TA75S558F-F	ANALOGUE IC	K1	Q602			DTC143TUA	DIGITAL TRANSISTOR	M1
IC400			E-TDA7850A	ANALOGUE IC	E1E2E3	Q602-605			DTC143TUA	DIGITAL TRANSISTOR	KK1
IC400			E-TDA7850A	ANALOGUE IC	E4M1E5	Q605			DTC143TUA	DIGITAL TRANSISTOR	E1E2E3
IC400			E-TDA7850A	ANALOGUE IC	E6	Q605			DTC143TUA	DIGITAL TRANSISTOR	E4M1E5
IC400			KKZ09Z	ANALOGUE IC	KK1	Q605			DTC143TUA	DIGITAL TRANSISTOR	E6
IC500			LC72725KV	ANALOGUE IC	E1E2E3	Q606			RT1P241M	TRANSISTOR	
IC500			LC72725KV	ANALOGUE IC	E4E5E6	Q607			DTC143TUA	DIGITAL TRANSISTOR	
IC700			PCM1754DB	MOS-IC		Q704			RT1P144M	TRANSISTOR	
IC702			341S2094	MICROPROCESSOR IC	KM1E5	Q706			RT1N144M	TRANSISTOR	
IC702			341S2094	MICROPROCESSOR IC	E6K1	TH400			PRF18BE471QS2	POSITIVE RESISTOR	
IC703		*	AK4117	MOS-IC		A500	2D	*	X86-4040-11	FRONT-END UNIT	KM1K1
IC704			NJM2100V-ZB	ANALOGUE IC		A500	2D	*	X86-4042-70	FRONT-END UNIT	E1E2E3
IC705			TARSS50-F	ANALOGUE IC		A500	2D	*	X86-4042-70	FRONT-END UNIT	E4E5E6
IC708			SI-3033KMS	ANALOGUE IC		MECHANISM ASSY (X92-5870-00) DXM-6C20W					
IC709,710			TC7WT126FU-F	MOS-IC		1	2B		A10-5328-11	CHASSIS	
IC711		*	TCC760	MOS-IC		2	1B	*	A10-5329-11	CHASSIS	
IC712		*	TC74LVX08F-F	MOS-IC		5	2B		D10-4910-13	ARM ASSY	
IC714		*	IC42S164007TIG	DRAM IC		8	2A	*	D10-4911-13	LEVER ASSY	
IC715		*	A29L80AUV4X9F	ROM IC		10	2A		D10-4906-33	ARM	
IC716		*	R1114N181B-TR	ANALOGUE IC (1.8V LF)		11	2A		D10-4907-33	ARM	
Q1			2SB1565	TRANSISTOR		12	3A		D10-4908-03	ARM	
Q2			RT1P241M	TRANSISTOR		13	3A		D10-4909-03	ARM	
Q3			2SB1565	TRANSISTOR		14	3B		D10-4915-03	ARM	
Q4			2SC4081	TRANSISTOR		15	2A		D10-4916-23	SLIDER	
Q5			2SB1565	TRANSISTOR		16	3B		D10-4914-12	SLIDER	
Q6			RT1P241M	TRANSISTOR		17	2B		D10-4588-13	SLIDER	
Q7			2SC4081	TRANSISTOR		18	2B		D10-4917-04	ARM	
Q8			2SB1565	TRANSISTOR		19	2B		D10-4596-24	ARM	
Q9			2SC4081	TRANSISTOR		22	2A		D13-2151-04	GEAR	
Q10			2SB1565	TRANSISTOR		23	2B		D13-2152-04	GEAR	
Q11			RT1P241M	TRANSISTOR		24	3B		D13-2153-04	GEAR	
Q12			2SC4081	TRANSISTOR		25	3B		D13-2154-04	GEAR	
Q13			2SA1576A	TRANSISTOR		26	3B		D13-2155-04	WORM	
Q14			RT1N241M	TRANSISTOR		27	2B		D13-2156-14	GEAR	
Q15			DTA114YUA	DIGITAL TRANSISTOR							

K : KDC-MP435U K1 : KDC-X491 M1 : KDC-MP4036U E1 : KDC-W4537UA E2 : KDC-W4537UG
E3 : KDC-W4537UAY E4 : KDC-W4537UGY E5 : KDC-W4737U E6 : KDC-W4737UY

△ Indicates safety critical components.

KDC-MP4036U/MP435U/X491/W4537UA/W4537UAY
/W4537UG/W4537UGY/W4737U/W4737UY
PARTS LIST

MECHANISM ASSY (X92-5870-00) DXM-6C20W

Ref. No.	A d d	N e w	Parts No.	Description	Desti- nation	Ref. No.	A d d	N e w	Parts No.	Description	Desti- nation
28	3B		D13-2157-04	GEAR							
29	2B		D13-2158-04	GEAR							
30	2B		D13-2168-04	GEAR							
31	3B		D13-2171-04	GEAR							
32	1B		D13-2400-13	RACK (GEAR)							
33	2A		D14-0759-04	ROLLER							
35	2B		D21-2382-04	SHAFT							
36	1A		D23-0954-04	RETAINER							
37	1B		D39-0246-05	DAMPER							
38	2B		G01-3072-04	EXTENSION SPRING							
39	2A		G01-3073-04	TORSION COIL SPRING							
40	2A		G01-3074-04	EXTENSION SPRING							
41	1B		G01-4615-04	EXTENSION SPRING							
42	2A		G01-3076-04	EXTENSION SPRING							
43	1B		G01-3077-14	EXTENSION SPRING							
44	2B		G02-1399-04	FLAT SPRING							
45	2B		G02-1547-04	FLAT SPRING							
51	1A		J22-0473-21	MOUNTING HARDWARE							
52	3B		J22-0474-12	MOUNTING HARDWARE							
53	1B		J22-0519-03	MOUNTING HARDWARE							
55	1A	*	J90-1138-41	GUIDE							
56	1B		J90-1023-03	GUIDE							
DFPC1	3A	*	J86-0039-05	FPC (LEAD FREE)							
A	2B		N09-4460-15	TAPTITE SCREW (PT2X8)							
B	1B		N09-6317-05	TAPTITE SCREW (1.6X6.0)							
C	2B		N09-6004-15	MACHINE SCREW (M1.7X2.5)							
E	2B		N09-6007-15	MACHINE SCREW (M2X2)							
F	1A		N09-6051-15	TAPTITE SCREW (PT2X5)							
G	2A		N19-2163-04	FLAT WASHER (1.6X6X0.25)							
H	1B		N39-2020-48	PAN HEAD MACHINE SCREW (M2X2)							
J	1B		N09-6108-15	TAPTITE SCREW (M2X3.5)							
K	3B		N09-6155-15	SEMS (TAPTITE SCREW) (PT2X6)							
DM1	3B		T42-1066-14	DC MOTOR (SPINDLE)							
DM2	2B		T42-1067-14	DC MOTOR (LOADING/SLED)							
DPU1	2B		X93-2130-01	OPTICAL PICKUP ASSY							

K : KDC-MP435U K1 : KDC-X491 M1 : KDC-MP4036U E1 : KDC-W4537UA E2 : KDC-W4537UG
E3 : KDC-W4537UAY E4 : KDC-W4537UGY E5 : KDC-W4737U E6 : KDC-W4737UY

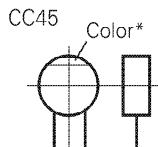
△ Indicates safety critical components.

KDC-MP4036U/MP435U/X491/W4537UA/W4537UAY /W4537UG/W4537UGY/W4737U/W4737UY PARTS LIST

CAPACITORS

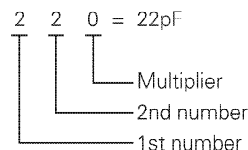
$\frac{C}{1} \frac{C}{2} \frac{45}{3} \frac{TH}{4} \frac{1H}{5} \frac{220}{6} \frac{J}{7}$

1 = Type ... ceramic, electrolytic, etc.
2 = Shape ... round, square, etc.
3 = Temp. coefficient
4 = Voltage rating
5 = Value
6 = Tolerance



• Capacitor value

010 = 1pF
100 = 10pF
101 = 100pF
102 = 1000pF = 0.001μF
103 = 0.01μF



• Temperature coefficient

1st Word	C	L	P	R	S	T	U
Color*	Black	Red	Orange	Yellow	Green	Blue	Violet
ppm/°C	0	-80	-150	-220	-330	-470	-750

2nd Word	G	H	J	K	L
ppm/°C	+30	+60	+120	+250	+500

Example : CC45TH = -470±60ppm/°C

• Tolerance (More than 10pF)

Code	C	D	G	J	K	M	X	Z	P	No code
(%)	±0.25	±0.5	±2	±5	±10	±20	+40 -20	+80 -20	+100 -0	More than 10μF : -10~+50 Less than 4.7μF : -10~+75

(Less than 10pF)

Code	B	C	D	F	G
(pF)	±0.1	±0.25	±0.5	±1	±2

• Voltage rating

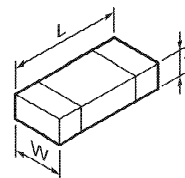
2nd word \ 1st word	A	B	C	D	E	F	G	H	J	K	V
0	1.0	1.25	1.6	2.0	2.5	3.15	4.0	5.0	6.3	8.0	-
1	10	12.5	16	20	25	31.5	40	50	63	80	35
2	100	125	160	200	250	315	400	500	630	800	-
3	1000	1250	1600	2000	2500	2150	4000	5000	6300	8000	-

• Chip capacitors

(EX) $\frac{C}{1} \frac{C}{2} \frac{73}{3} \frac{F}{4} \frac{SL}{5} \frac{1H}{6} \frac{000}{7} \frac{J}{8}$ Refer to the table above.
(Chip) (CH, RH, UJ, SL)
1 = Type
2 = Shape
3 = Dimension

(EX) $\frac{C}{1} \frac{K}{2} \frac{73}{3} \frac{F}{4} \frac{F}{5} \frac{1H}{6} \frac{000}{7} \frac{Z}{8}$
(Chip) (B, F)
4 = Temp. coefficient
5 = Voltage rating
6 = Value
7 = Tolerance

• Dimension



Chip capacitor

Code	L	W	T
Empty	5.6±0.5	5.0±0.5	Less than 2.0
A	4.5±0.5	3.2±0.4	Less than 2.0
B	4.5±0.5	2.0±0.3	Less than 2.0
C	4.5±0.5	1.25±0.2	Less than 1.25
D	3.2±0.4	2.5±0.3	Less than 1.5
E	3.2±0.2	1.6±0.2	Less than 1.25
F	2.0±0.3	1.25±0.2	Less than 1.25
G	1.6±0.2	0.8±0.2	Less than 1.0
H	1.0±0.05	0.5±0.05	0.5±0.05

Chip resistor

Code	L	W	T
E	3.2±0.2	1.6±0.2	1.0
F	2.0±0.3	1.25±0.2	1.0
G	1.6±0.2	0.8±0.2	0.5±0.1
H	1.0±0.05	0.5±0.05	0.35±0.05

RESISTORS

• Chip resistor (Carbon)

(EX) $\frac{R}{1} \frac{D}{2} \frac{73}{3} \frac{E}{4} \frac{B}{5} \frac{2B}{6} \frac{000}{7} \frac{J}{8}$
(Chip) (B, F)

• Carbon resistor (Normal type)

(EX) $\frac{R}{1} \frac{D}{2} \frac{14}{3} \frac{B}{4} \frac{B}{5} \frac{2C}{6} \frac{000}{7} \frac{J}{8}$

1 = Type
2 = Shape
3 = Dimension
4 = Temp. coefficient
5 = Rating wattage
6 = Value
7 = Tolerance

• Rating wattage

Code	Wattage	Code	Wattage	Code	Wattage
1J	1/16W	2C	1/6W	3A	1W
2A	1/10W	2E	1/4W	3D	2W
2B	1/8W	2H	1/2W		

KDC-MP4036U/MP435U/X491/W4537UA/W4537UAY /W4537UG/W4537UGY/W4737U/W4737UY

SPECIFICATIONS

FM tuner section

Frequency range	
KDC-MP4036U87.5~108.0MHz (50kHz space), 87.9~107.9MHz (200kHz space)
KDC-W4537Uxx/W4737Ux87.5~108.0MHz (50kHz space)
KDC-MP435U/X49187.9~107.9MHz (200kHz space)
Usable sensitivity	
KDC-MP4036U/MP435U/X491 (S/N : 30dB)9.3dBf (0.8 μ V/75 Ω)
KDC-W4537Uxx/W4737Ux (S/N : 26dB)0.7 μ V/75 Ω
Quieting Sensitivity	
KDC-MP4036U/MP435U/X491 (S/N : 50dB)15.2dBf (1.6 μ V/75 Ω)
KDC-W4537Uxx/W4737Ux (S/N : 46dB)1.6 μ V/75 Ω
Frequency response (\pm 3.0dB)30Hz~15kHz
Signal to Noise ratio (MONO)	
KDC-MP4036U/MP435U/X49170dB
KDC-W4537Uxx/W4737Ux65dB
Selectivity (\pm 400kHz) \geq 80dB
Stereo separation	
KDC-MP4036U/MP435U/X49140dB (1kHz)
KDC-W4537Uxx/W4737Ux35dB (1kHz)

AM tuner section : KDC-MP4036U/MP435U/X491

Frequency range	
KDC-MP4036U531~1611kHz (9kHz space), 530~1700kHz (10kHz space)
KDC-MP435U/X491530~1700kHz (10kHz space)
Usable sensitivity (S/N=20dB)28dB μ (25 μ)

MW tuner section : KDC-W4537Uxx/W4737Ux

Frequency range531~1611kHz (9kHz space)
Usable sensitivity (S/N=20dB)25 μ V

LW tuner section : KDC-W4537Uxx/W4737Ux

Frequency range153~281kHz
Usable sensitivity (S/N=20dB)45 μ V

CD player section

Laser diodeGaAlAs
Digital filter (D/A)8 Times Over Sampling
D/A Converter1Bit
Spindle speed1000~400rpm (CLV 2times)
Wow & FlutterBelow Measurable Limit
Frequency response (\pm 1dB)10Hz~20kHz
Total harmonic distortion(1kHz)	
KDC-MP4036U/W4537Uxx/W4737Ux/X4910.008%
KDC-MP435U0.01%
Signal to Noise ratio (1kHz)	
KDC-MP4036U/W4537Uxx/W4737Ux/X491110dB
KDC-MP435U105dB
Dynamic range93dB
MP3 decodeCompliant with MPEG-1/2 Audio Layer-3
WMA decodeCompliant with Windows Media Audio
AAC decodeAAC-LC ".m4a" files
WAV signalLinear-PCM

DANGER:

Please do not look at the laser beam directly during repair or operation check.

Audio section

Maximum output power50W x 4
Full Bandwidth Power (at less than 1% THD)	
KDC-MP4036U/MP435U/X49122W x 4
Output power (DIN 45324, +B=14.4V)	
KDC-W4537Uxx/W4737Ux30W x 4
Speaker impedance4~8 Ω
Tone action	
Bass100Hz \pm 8dB
Middle1kHz \pm 8dB
Treble10kHz \pm 8dB
Preout level/Load (during disc play)	
KDC-MP4036U/W4537Uxx/W4737Ux2500mV/10k Ω
KDC-X4914000mV/10k Ω
KDC-MP435U2000mV/10k Ω
Preout impedance \leq 600 Ω

USB Interface

USB StandardUSB 1.1/2.0
File SystemFAT 16/32
Maximum Supply Current500mA
MP3 decodeCompliant with MPEG-1/2 Audio Layer-3
WMA decodeCompliant with Windows Media Audio
AAC decodeAAC-LC ".m4a" files
WAV signalLinear-PCM

Auxiliary input

(KDC-MP4036/MP435U/X491/W4737U/W4737UY)

Frequency response (\pm 1dB)20Hz~20kHz
Input Maximum Voltage1200mV
Input Impedance100k Ω

General

Operating voltage14.4V (11~16V allowable)
Current consumption10A
Installation Size (W x H x D)	
.....	182 x 53 x 155 mm (7-3/16 x 2-1/16 x 6-1/8 inch)
Weight1.40kg (3.1lbs)

KENWOOD follows a policy of continuous advancements in development. For this reason specifications may be changed without notice.

