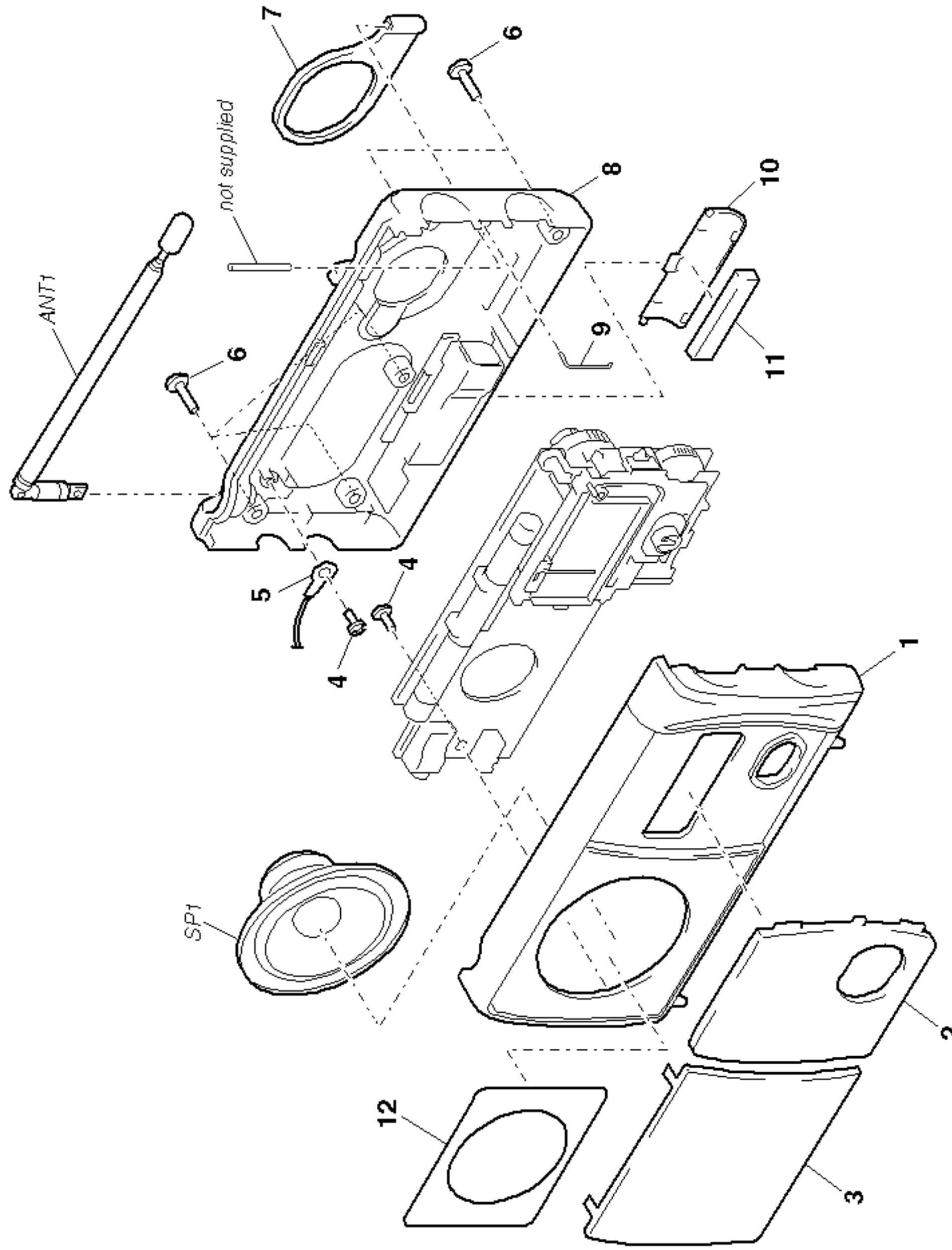


## SECTION 6 EXPLODED VIEWS

- NOTE :**
- XX, -X mean standardized parts, so they may have some difference from the original one.
  - Color indication of Appearance Parts  
Example :  
KNOB, BALANCE (WHITE) \*\*\* (RED) ↑  
Parts color Cabinets color ↑  
Items marked "\*" are not stocked since they are seldom required for routine service. Some delay should be anticipated when ordering these items.

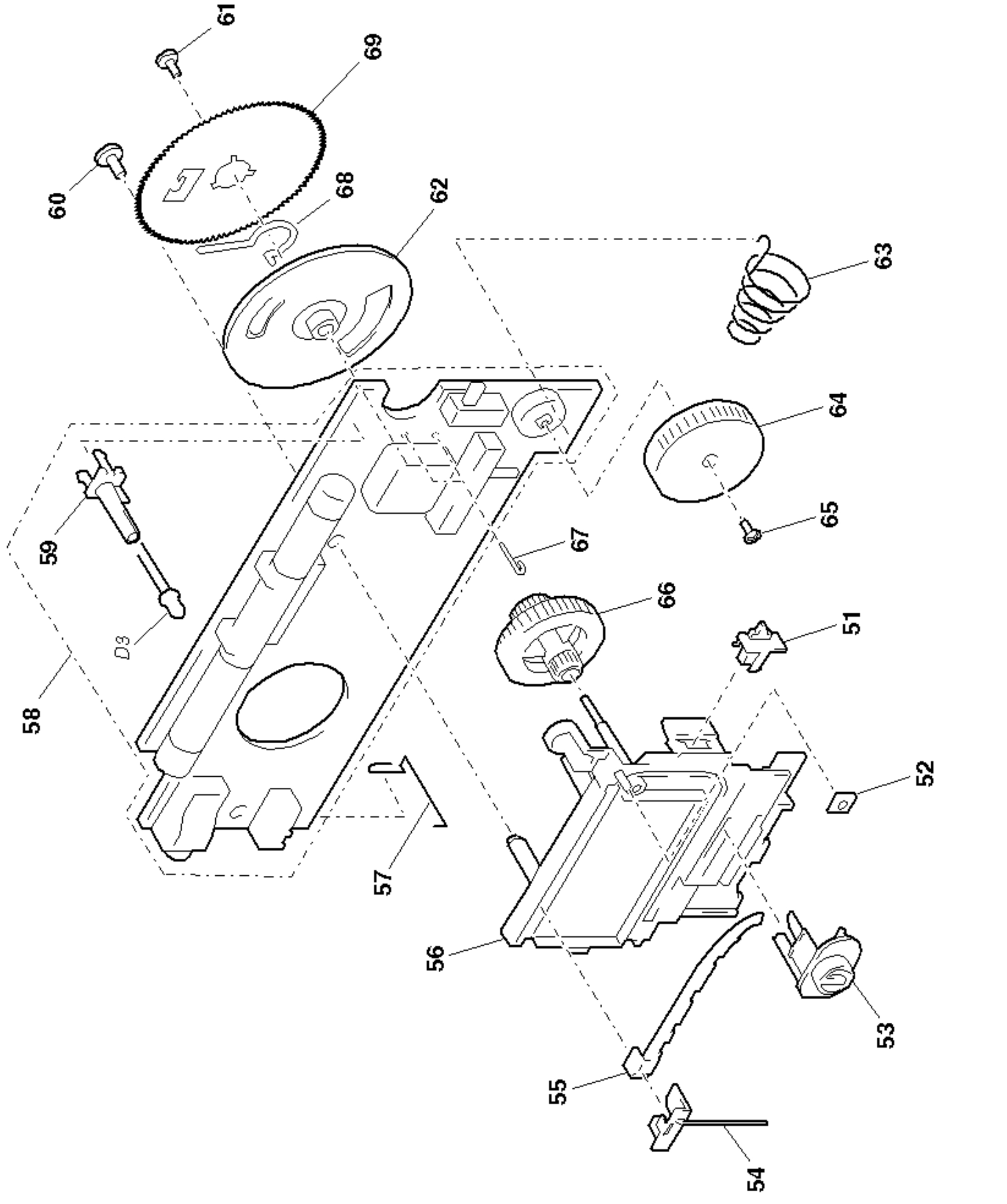
- The mechanical parts with no reference number in the exploded views are not supplied.
- Hardware (# mark) list and accessories and packing materials are given in the last of this parts list.
- Abbreviation  
EA : Saudi Arabia

### 6-1. CABINET SECTION



| Ref. No. | Part No.     | Description                    | Ref. No. | Part No.     | Description                     | Remark |
|----------|--------------|--------------------------------|----------|--------------|---------------------------------|--------|
| 1        | 3-037-016-01 | CABINET (FRONT) (BLACK)        | 7        | 3-037-024-11 | HANDLE (WHITE) (AEP)            |        |
| 1        | 3-037-016-11 | CABINET (FRONT) (WHITE) (AEP)  | 8        | 3-037-017-01 | CABINET (REAR) (BLACK)          |        |
| 2        | 3-037-026-01 | PLATE, TRANSPARENT (EXCEPT EA) | 8        | 3-037-017-11 | CABINET (REAR) (WHITE) (AEP)    |        |
| 2        | 3-037-026-11 | PLATE, TRANSPARENT (EA)        | 9        | 3-037-034-01 | SPRING (HANDLE)                 |        |
| 3        | 3-037-029-01 | PANEL(SPEAKER) (BLACK)         | 10       | 3-037-019-01 | LID, BATTERY CASE (BLACK)       |        |
| 3        | 3-037-029-11 | PANEL(SPEAKER) (WHITE) (AEP)   | 10       | 3-037-019-11 | LID, BATTERY CASE (WHITE) (AEP) |        |
| 4        | 7-685-134-19 | SCREW+P 2.6X8 TYPE2 NON-SLIT   | 11       | 3-372-124-01 | CUSHION (BATTERY)               |        |
| 5        | 7-623-508-01 | LUG, 3                         | 12       | 3-040-489-01 | SHEET, SPEAKER                  |        |
| 6        | 7-685-548-14 | SCREW +BTP 3X12 TYPE2 N-S      | ANT1     | 1-501-222-81 | ANTENNA, TELESCOPIC (FM, SW)    |        |
| 7        | 3-037-024-01 | HANDLE (BLACK)                 | SP1      | 1-529-451-11 | SPEAKER (7.7cm)                 |        |

### 6-2. CHASSIS SECTION



| Ref. No. | Part No.     | Description                      | Ref. No. | Part No.     | Description                      | Remark |
|----------|--------------|----------------------------------|----------|--------------|----------------------------------|--------|
| 51       | 3-037-023-01 | KNOB(TONE) (BLACK)               | 61       | 3-364-941-11 | SCREW (+B) (2.6X5), NYLON        |        |
| 51       | 3-037-023-11 | KNOB(TONE) (WHITE) (AEP)         | 62       | 3-037-027-01 | GEAR(A), TUNING CAPACITOR        |        |
| * 52     | 1-674-032-11 | RACK RETAINER BOARD              | 63       | 3-037-031-01 | TERMINAL (-), BATTERY            |        |
| 53       | 3-037-021-01 | KNOB(BAND) (BLACK)               | 64       | 3-037-020-01 | KNOB(VOL) (BLACK)                |        |
| 53       | 3-037-021-11 | KNOB(BAND) (WHITE) (AEP)         | 64       | 3-037-020-11 | KNOB(VOL) (WHITE) (AEP)          |        |
| 54       | 3-037-025-01 | POINTER                          | 65       | 3-880-990-00 | SCREW (1.7X3), FLAT, (+) SPECIAL |        |
| 55       | 3-369-170-01 | RACK                             | 66       | 3-037-022-01 | KNOB(TUNE) (BLACK)               |        |
| * 56     | 3-037-018-01 | CHASSIS                          | 66       | 3-037-022-11 | KNOB(TUNE) (WHITE) (AEP)         |        |
| 57       | 3-037-030-01 | TERMINAL (+), BATTERY            | 67       | 3-037-523-01 | PIN(TUNING CAPACITOR)            |        |
| * 58     | A-3663-363-A | MAIN BOARD, COMPLETE (EXCEPT EA) | 68       | 3-037-033-01 | SPRING (GEAR)                    |        |
| * 58     | A-3663-380-A | MAIN BOARD, COMPLETE (EA)        | 69       | 3-037-032-01 | GEAR(B), TUNING CAPACITOR        |        |
| 59       | 3-037-028-01 | HOLDER, LED                      | D3       | 8-719-069-94 | LED TLR124 (TUNE)                |        |
| 60       | 7-685-134-19 | SCREW +P 2.6X8 TYPE2 NON-SLIT    |          |              |                                  |        |