

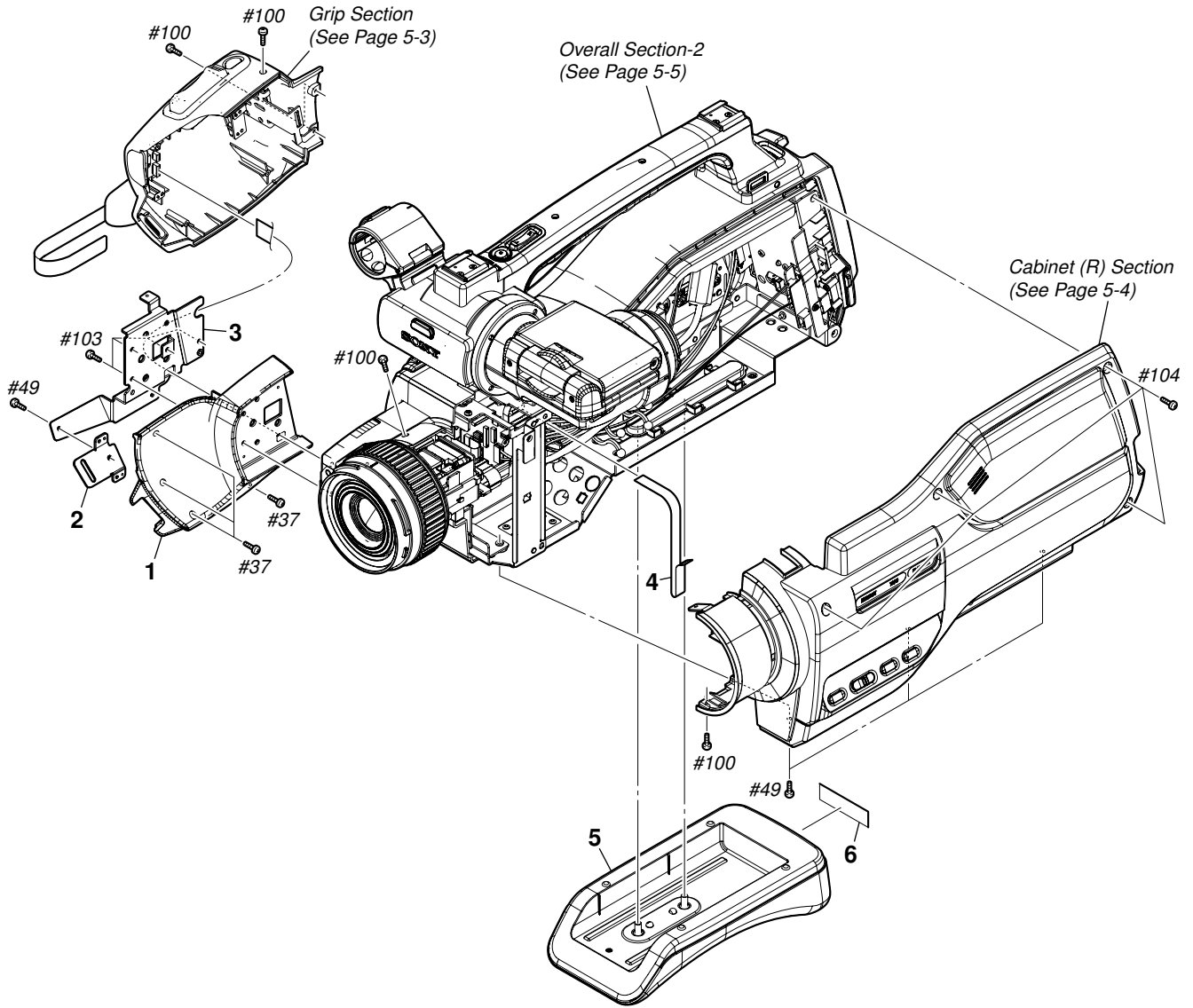
**5. REPAIR PARTS LIST**

**DISASSEMBLY**

**HARDWARE LIST**

**5-1. EXPLODED VIEWS**

**5-1-1. OVERALL SECTION-1**



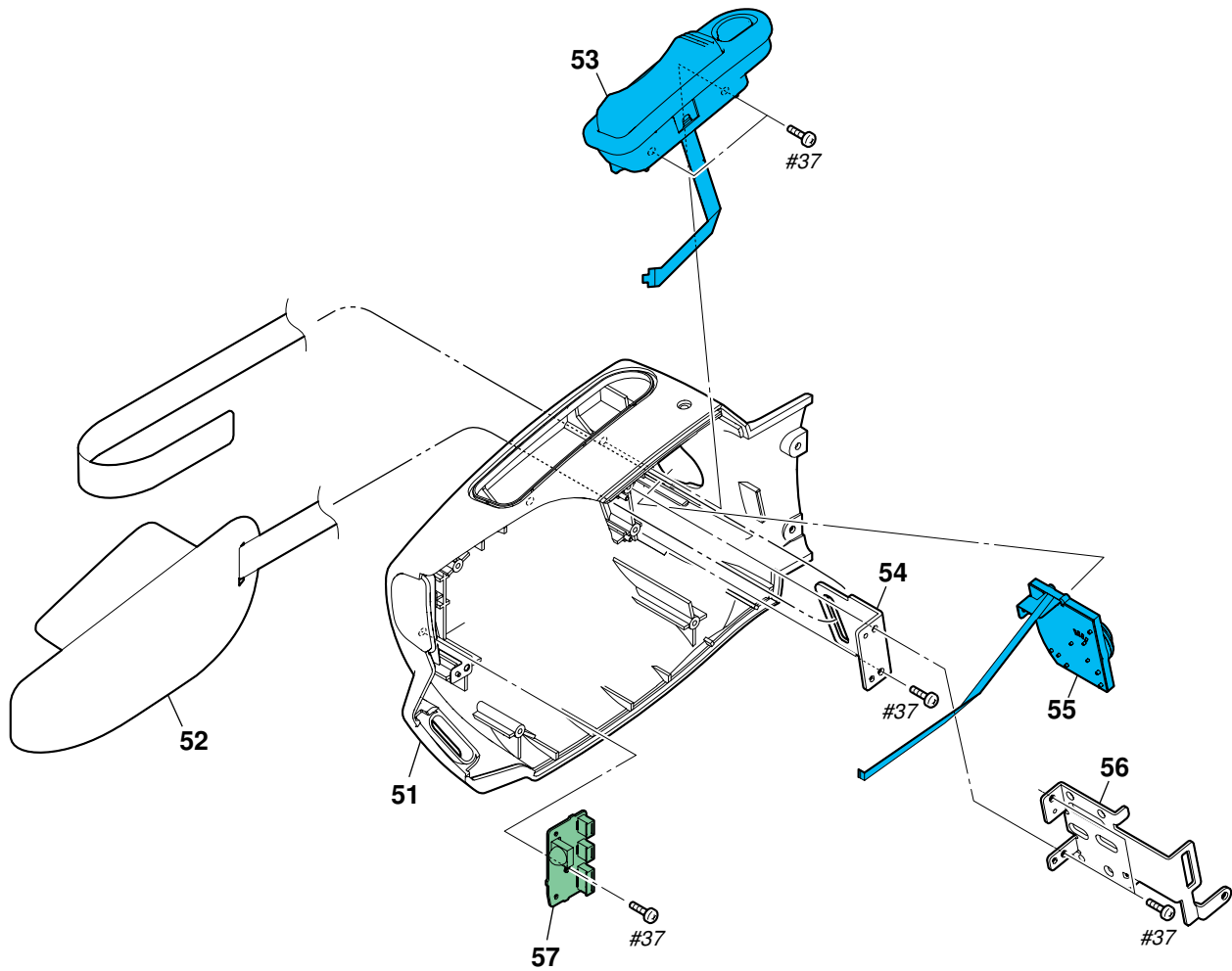
Ref. No.	Part No.	Description
1	3-284-044-01	BASE, GRIP
* 2	3-284-047-01	BRACKET (F), GRIP BELT
3	3-284-046-01	FRAME, GRIP
4	1-834-808-11	CABLE, FLEXIBLE FLAT (FFC-337)
5	X-2187-984-1	PAD ASSY, SHOULDER
6	3-284-050-01	SHEET (JAPAN) (HD1000U)
6	3-284-050-11	SHEET (JAPAN) (HD1000N)
6	3-284-050-21	SHEET (JAPAN) (HD1000P)
6	3-284-050-31	SHEET (JAPAN) (HD1000E)

Ref. No.	Part No.	Description
6	3-284-050-41	SHEET (JAPAN) (HD1000C)
6	3-284-050-51	SHEET (JAPAN) (HD1000J)
#37	3-080-206-31	SCREW, TAPPING, P2 (Black)
#49	2-630-005-31	SCREW (M2), NEW TRUSTER, P2 (Black)
#100	3-080-203-51	SREW (M2), LOCK ACE, P2 (Black)
#103	7-685-794-09	SCREW +PTT 2.6X10 (S) (Silver)
#104	7-682-548-09	SCREW +B 3X8 (Black)

## 5. REPAIR PARTS LIST

### HARDWARE LIST

#### 5-1-2. GRIP SECTION



Ref. No.	Part No.	Description
51	X-2187-973-1	CABINET ASSY, GRIP
52	3-289-560-01	BELT, GRIP
53	1-480-479-11	SWITCH BLOCK, CONTROL (ZM90500)
54	3-283-958-01	BRACKET (B), GRIP BELT
55	1-480-480-11	SWITCH BLOCK, CONTROL (PS90500)

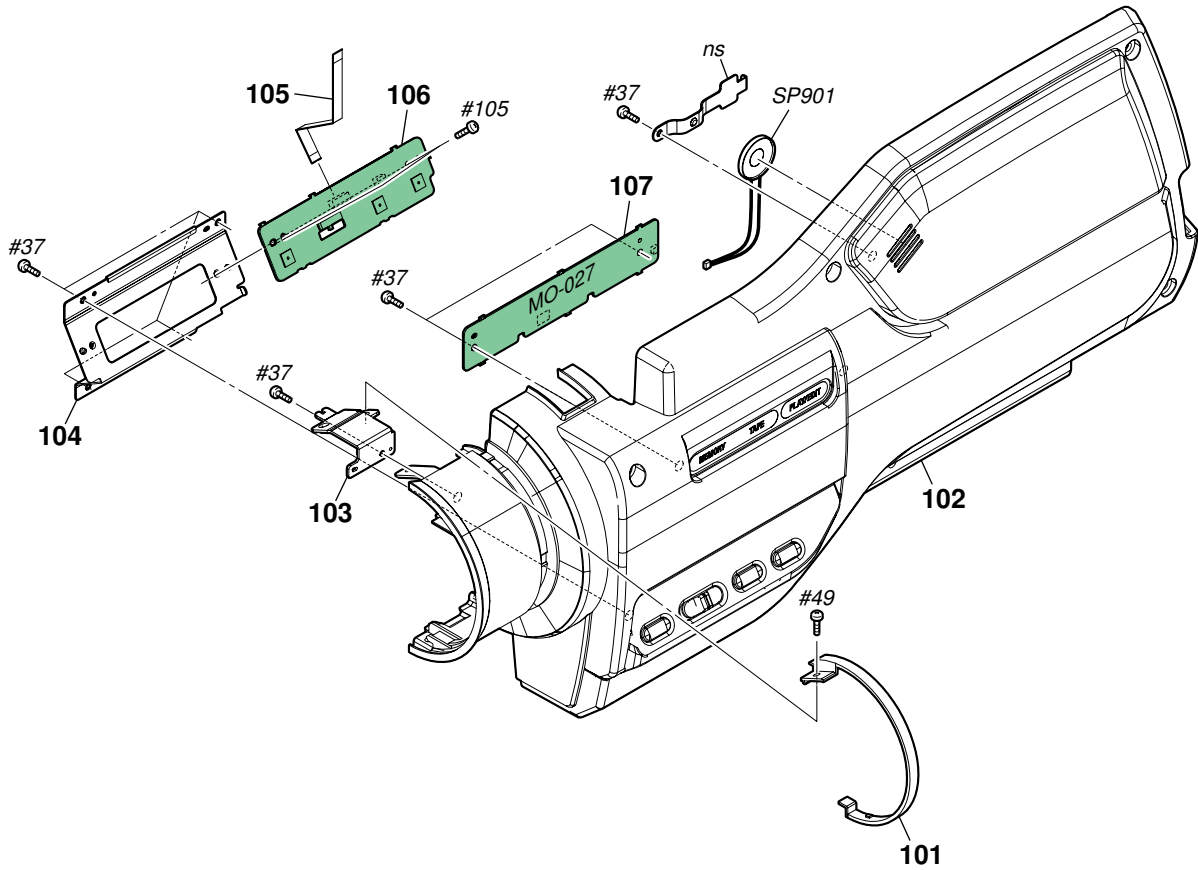
Ref. No.	Part No.	Description
* 56	3-283-959-01	PLATE, SS RETAINER
57	A-1438-618-A	NS-022 BOARD, COMPLETE
#37	3-080-206-31	SCREW, TAPPING, P2 (Black)

## 5. REPAIR PARTS LIST

### HARDWARE LIST

#### 5-1-3. CABINET (R) SECTION

ns: not supplied



Ref. No.	Part No.	Description
101	3-283-972-01	RING, ORNAMENTAL
102	X-2187-974-1	CABINET (R) ASSY
* 103	3-283-971-01	BRACKET (UPPER), LR
* 104	3-283-969-01	BRACKET, CHASSIS
105	1-834-807-11	CABLE, FLEXIBLE FLAT (FFC-336)
106	A-1438-625-A	SP-048 BOARD, COMPLETE

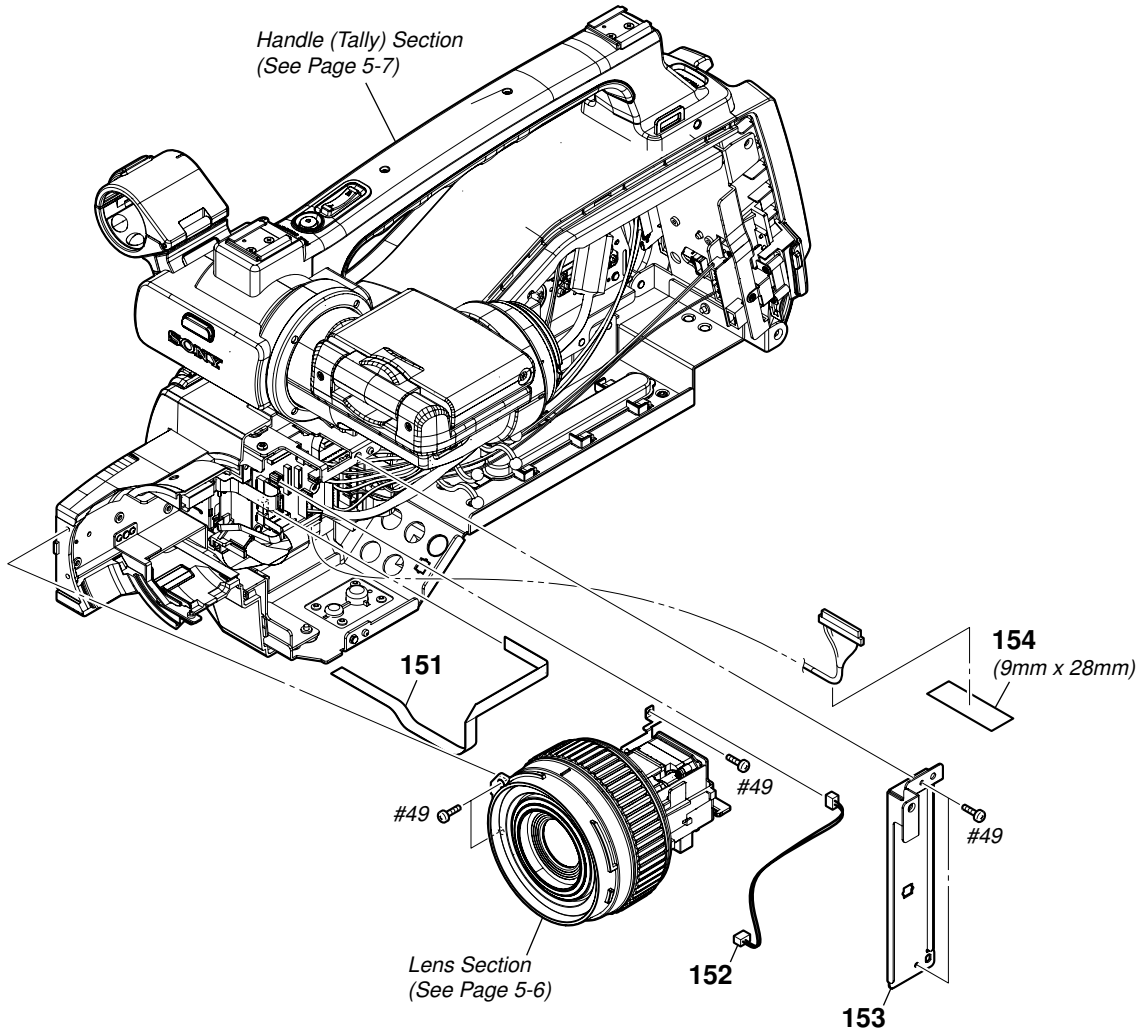
Ref. No.	Part No.	Description
107	A-1438-628-A	MO-027 BOARD, COMPLETE
SP901	1-825-262-62	LOUD SPEAKER (1.6CM)
#37	3-080-206-31	SCREW, TAPPING, P2 (Black)
#49	2-630-005-31	SCREW (M2), NEW TRUSTER, P2 (Black)
#105	2-891-494-31	SCREW (M2), NEW TRUSTER, P2 (Red)

# 5. REPAIR PARTS LIST

## DISASSEMBLY

## HARDWARE LIST

### 5-1-4. OVERALL SECTION-2



**CAUTION :**  
For the part of 154, cut SHEET, LENS FLEXIBLE (3-052-196-01) into the desired length and use it.

Ref. No.	Part No.	Description
151	1-834-811-11	CABLE, FLEXIBLE FLAT (FFC-340)
152	1-965-558-11	HARNESS (LI-062)
* 153	3-284-037-01	FRAME (R)

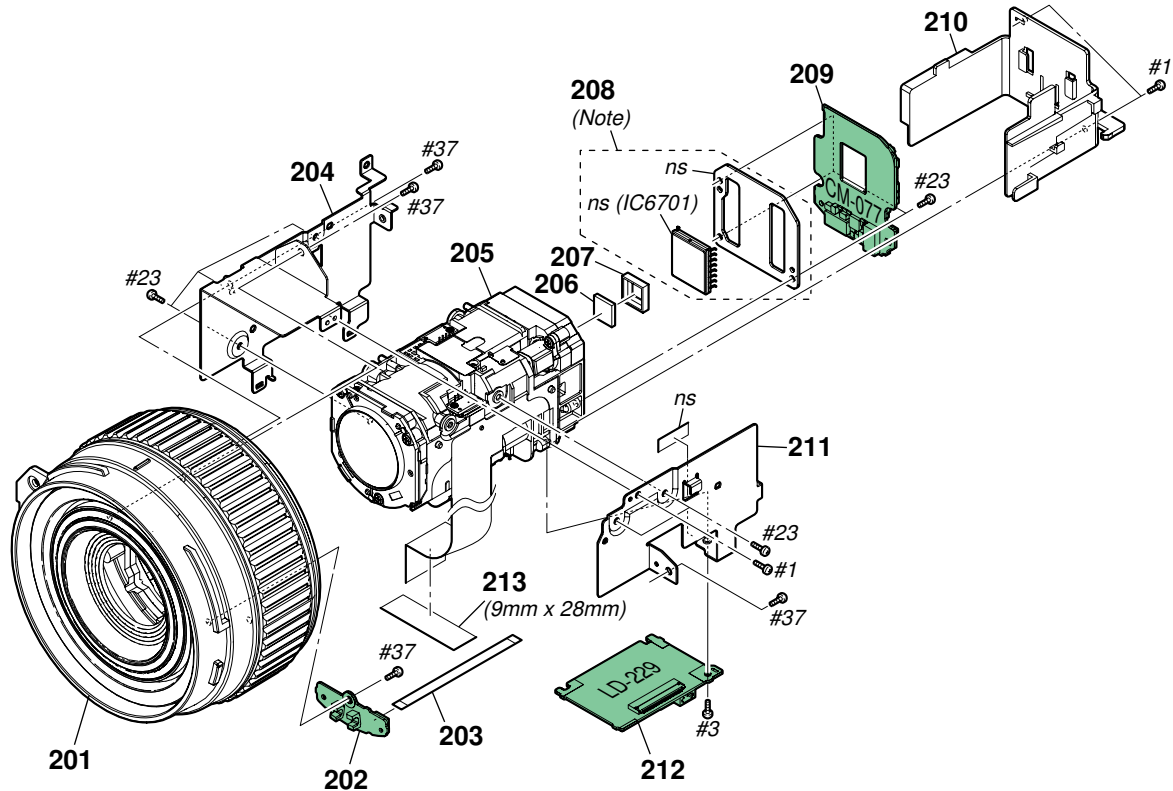
Ref. No.	Part No.	Description
154	CAUTION	TAPE AS
#49	2-630-005-31	SCREW (M2), NEW TRUSTER, P2 (Black)

5. REPAIR PARTS LIST

HARDWARE LIST

5-1-5. LENS SECTION

ns: not supplied



Note: Be sure to read "Precautions for Replacement of Imager" on page 4-3 when changing the imager.

Note : イメージャの交換時は4-3ページの“イメージャ交換時の注意”を必ずお読みください。

**CAUTION :**  
For the part of 213, cut SHEET, LENS FLEXIBLE (3-052-196-01) into the desired length and use it.

Ref. No.	Part No.	Description
201	X-2187-983-1	PANEL ASSY, F
202	A-1438-558-A	EC-001 BOARD, COMPLETE
203	1-834-810-11	CABLE, FLEXIBLE FLAT (FFC-339)
* 204	3-284-035-01	FRAME (L) (905) LENS
205	A-1227-735-A	LSV-1190A (SERVICE)
206	1-788-558-11	FILTER BLOCK, OPTICAL
207	2-698-010-01	RUBBER (1190), SEAL
208	A-1209-688-A	CMOS BLOCK ASSY (CMOS IMAGER) (Note)
209	A-1237-309-A	CM-077 BOARD, COMPLETE (SERVICE)

Ref. No.	Part No.	Description
210	3-284-036-01	CLAMP, FLEXIBLE
* 211	3-284-034-01	FRAME (R (905)), LENS
212	A-1438-557-A	LD-229 BOARD, COMPLETE
213	CAUTION	TAPE AS
#1	2-635-562-11	SCREW (M1.7) (Black)
#3	2-660-401-01	SCREW (M1.7), NEW TRU-STAR, P2 (Red)
#23	3-080-204-11	SCREW, TAPPING, P2 (Black)
#37	3-080-206-31	SCREW, TAPPING, P2 (Black)

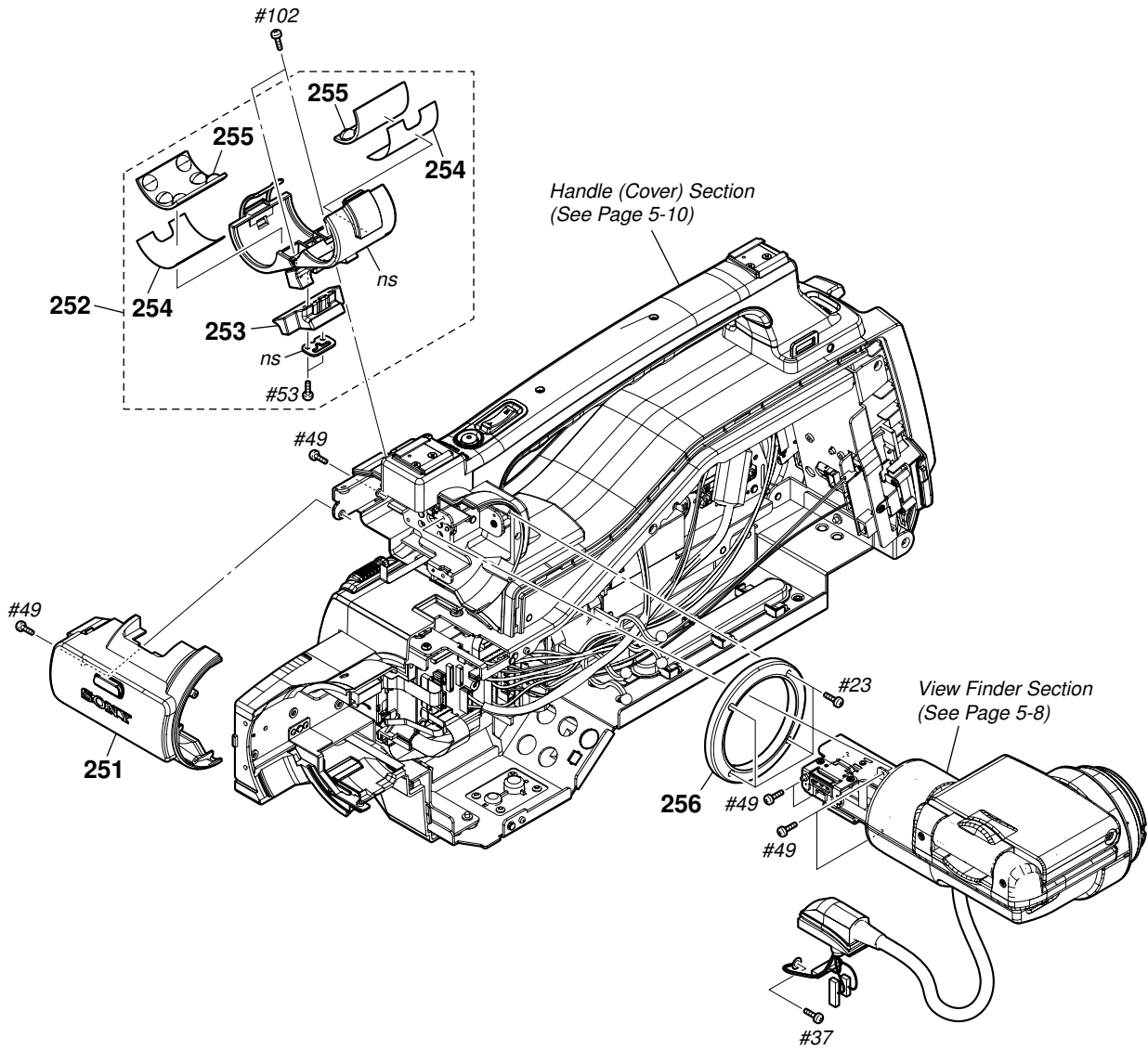
# 5. REPAIR PARTS LIST

## DISASSEMBLY

## HARDWARE LIST

### 5-1-6. HANDLE (TALLY) SECTION

ns: not supplied



Ref. No.	Part No.	Description
251	X-2187-977-1	CABINET ASSY, TALLY (FRONT)
252	X-2187-986-1	HOLDER ASSY, MICROPHONE
253	3-284-074-01	RUBBER, MICROPHONE HOLDER
254	3-284-081-01	SHEET, RUBBER ADHESIVE
255	3-284-080-01	RUBBER, MICROPHONE
256	3-283-989-01	BASE, RING

Ref. No.	Part No.	Description
#23	3-080-204-11	SCREW, TAPPING, P2 (Black)
#37	3-080-206-31	SCREW, TAPPING, P2 (Black)
#49	2-630-005-31	SCREW (M2), NEW TRUSTER, P2 (Black)
#53	3-080-206-21	SCREW, TAPPING, P2 (Black)
#102	7-621-284-30	SCREW +P 2.6X8 (Black)

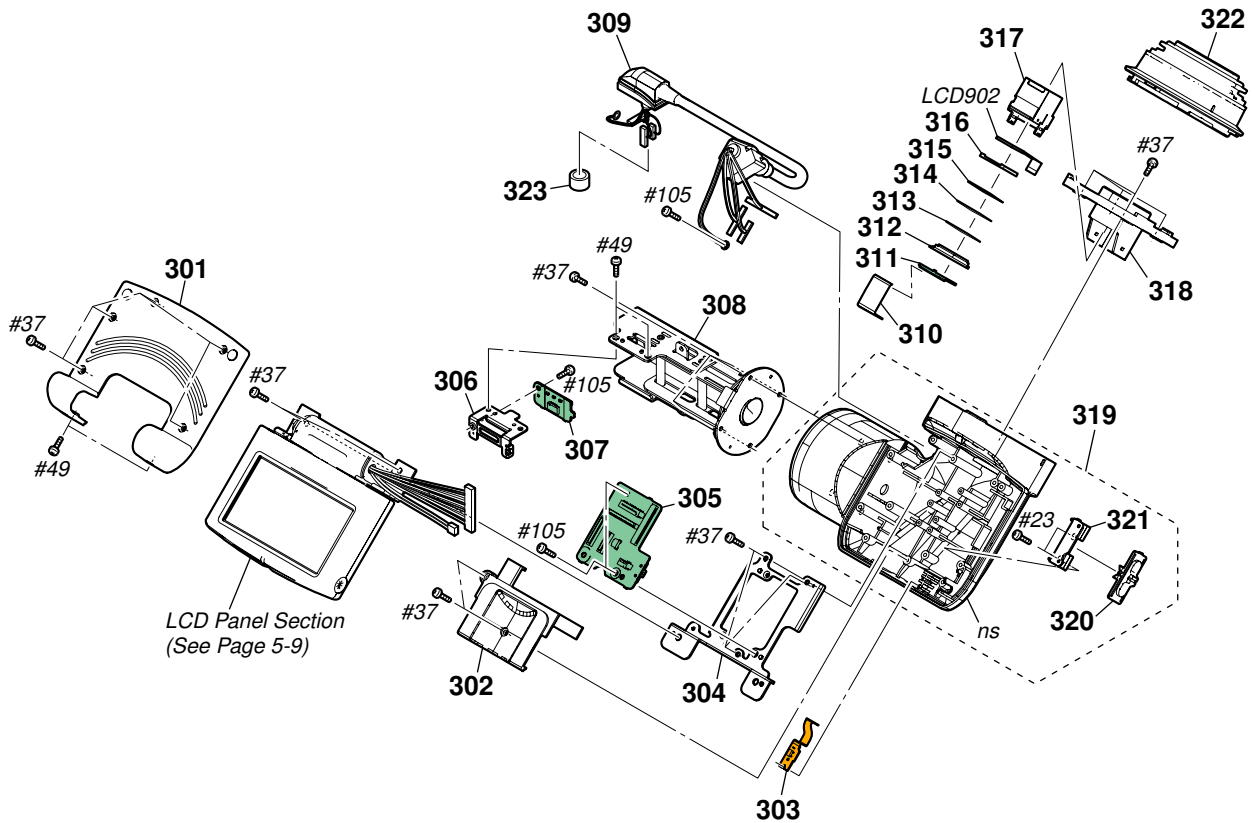
# 5. REPAIR PARTS LIST

DISASSEMBLY

HARDWARE LIST

## 5-1-7. VIEW FINDER SECTION

ns: not supplied



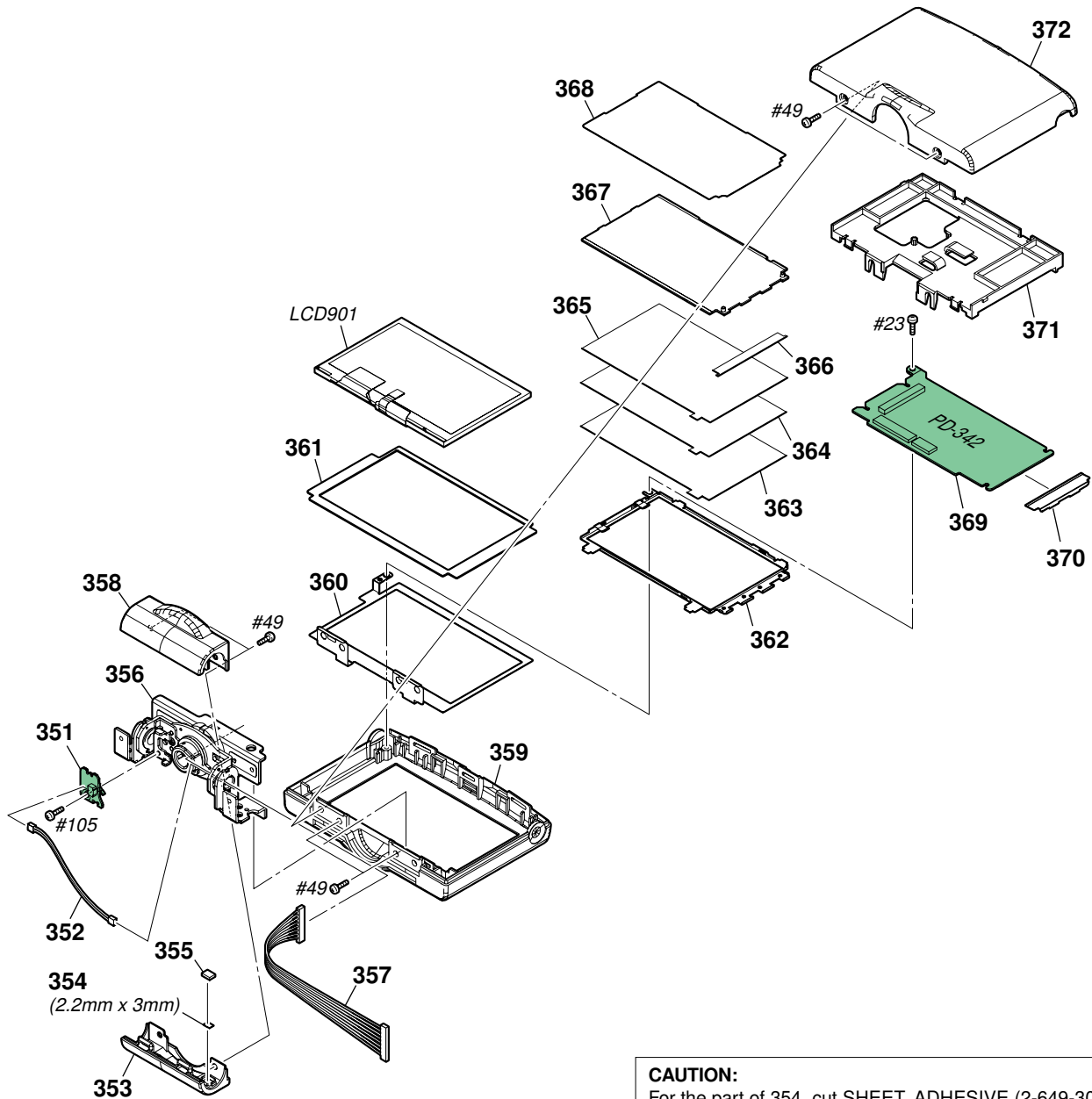
Ref. No.	Part No.	Description
301	X-2187-981-1	CABINET (UPPER) ASSY, VF
302	3-284-016-01	COVER, HINGE (LOWER)
303	A-1438-659-A	FP-784 FLEXIBLE BOARD, COMPLETE
* 304	3-284-017-01	FRAME, VF
305	A-1438-660-A	BH-001 BOARD, COMPLETE
* 306	3-284-015-01	FRAME, HI
307	A-1438-658-A	HI-078 BOARD, COMPLETE
308	X-2187-979-1	HINGE ASSY, VF
309	1-965-791-11	HARNESS (BI-001)
310	1-834-809-11	CABLE, FLEXIBLE FLAT (FFC-338)
311	A-1438-665-A	BL-015 BOARD, COMPLETE
312	2-664-672-01	GUIDE, LAMP
* 313	2-638-819-01	CUSHION, LCD
* 314	2-638-818-01	ILLUMINATOR
* 315	2-638-816-01	PLATE (TFT), DEFLECTION

Ref. No.	Part No.	Description
316	2-664-671-01	SPACER, LCD
* 317	2-699-236-01	CABINET (222), INNER
318	3-284-124-01	CABINET, VF INNER
319	X-2187-978-1	CABINET (LOWER) ASSY, VF
* 320	3-283-991-01	KNOB, ON/OFF
* 321	3-283-992-01	RETAINER, ON/OFF KNOB
322	X-2187-980-1	ADJUSTMENT ASSY, VISIBILITY
323	1-500-930-11	CORE, FERRITE
LCD902	8-753-241-14	LCX076AKE-1
#23	3-080-204-11	SCREW, TAPPING, P2 (Black)
#37	3-080-206-31	SCREW, TAPPING, P2 (Black)
#49	2-630-005-31	SCREW (M2), NEW TRUSTER, P2 (Black)
#105	2-891-494-31	SCREW (M2), NEW TRUSTER, P2 (Red)

# 5. REPAIR PARTS LIST

## HARDWARE LIST

### 5-1-8. LCD PANEL SECTION



**CAUTION:**  
For the part of 354, cut SHEET, ADHESIVE (2-649-300-01) into the desired length and use it.

Ref. No.	Part No.	Description
351	A-1438-667-A	RE-038 BOARD, COMPLETE
352	1-965-560-11	HARNESS (RS-112)
353	3-284-024-01	COVER (REAR), HINGE
354	CAUTION	SHEET (MAGNET), ADHESIVE
355	1-452-929-12	MAGNET (011)
356	X-2187-982-1	HINGE ASSY
357	1-965-550-11	HARNESS (HP-147)
358	3-284-023-01	COVER (FRONT), HINGE
359	3-284-028-01	CABINET (M), P
* 360	3-284-026-01	PLATE (P), GROUND
361	3-284-027-01	CUSHION, TP
362	2-887-999-01	FRONT FRAME (2.7J)
363	2-666-802-01	PRISM SHEET V (2.7)
364	2-666-803-01	PRISM SHEET H (2.7)

Ref. No.	Part No.	Description
365	2-666-804-01	DIFFUSION SHEET (2.7)
366	2-666-807-21	AG SHEET (2.7)
367	2-666-801-01	LIGHT GUIDE (2.7)
368	2-894-347-01	REFLECTION SHEET (2.7J)
369	A-1438-668-A	PD-342 BOARD, COMPLETE
* 370	2-638-780-01	CLIP
371	3-284-029-01	GUARD, FLEXIBLE
372	3-284-025-01	CABINET (C), P
LCD901	A-1228-786-A	TP BLOCK ASSY (27ESHGU07)
#23	3-080-204-11	SCREW, TAPPING, P2 (Black)
#49	2-630-005-31	SCREW (M2), NEW TRUSTER, P2 (Black)
#105	2-891-494-31	SCREW (M2), NEW TRUSTER, P2 (Red)



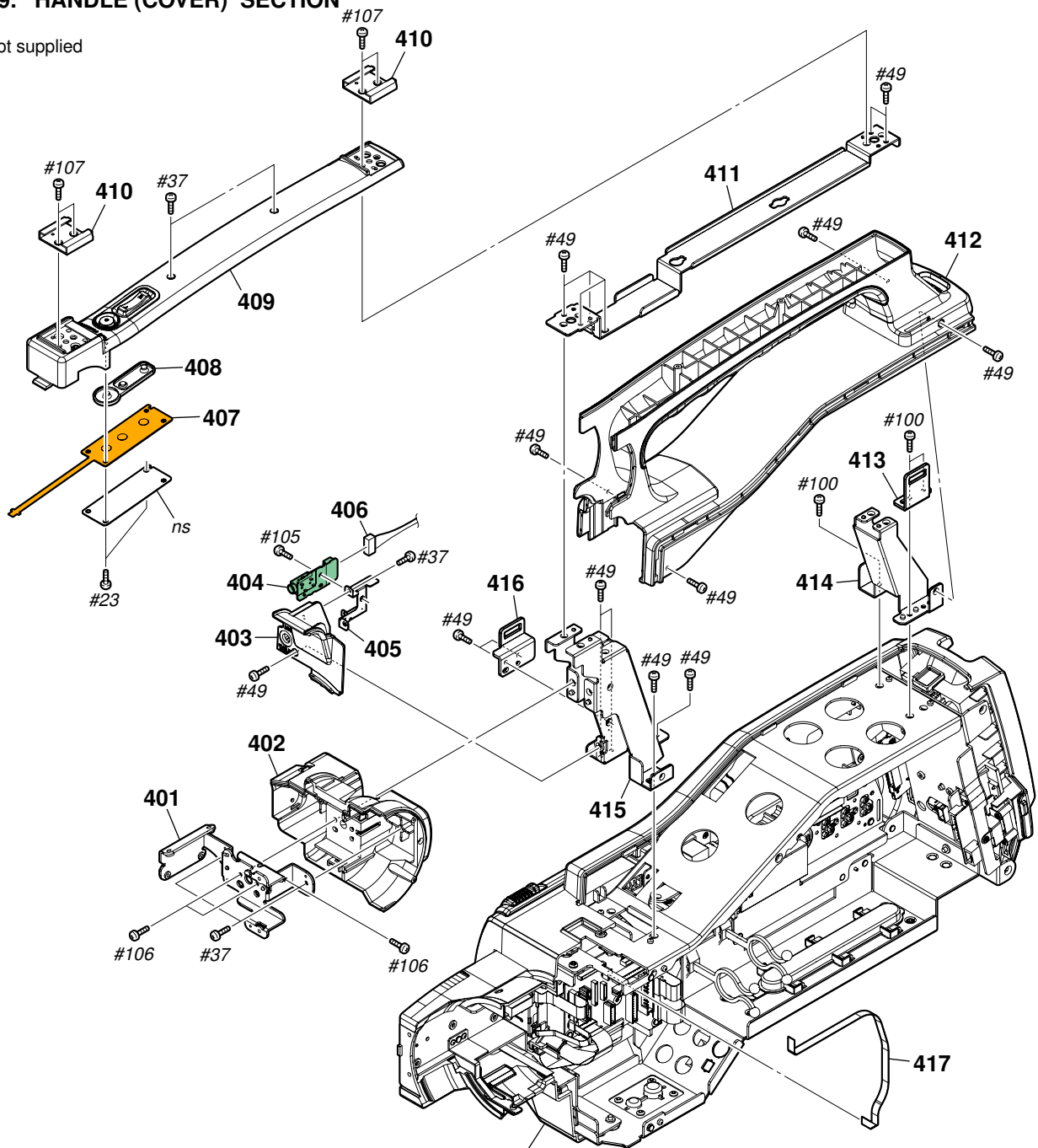
# 5. REPAIR PARTS LIST

## DISASSEMBLY

## HARDWARE LIST

### 5-1-9. HANDLE (COVER) SECTION

ns: not supplied



Overall Section-3  
(See Page 5-11)

Ref. No.	Part No.	Description
* 401	3-283-987-01	BRACKET, TALLY
402	3-283-986-01	CABINET, TALLY (LR)
403	3-283-984-01	COVER, HANDLE LOWER
404	A-1438-670-A	MC-188 BOARD, COMPLETE
* 405	3-283-985-01	BRACKET, MICROPHONE JACK
406	1-965-549-11	HARNESS (MI-075)
407	1-874-532-11	FP-793 FLEXIBLE BOARD
* 408	2-892-090-01	KEY, RUBBER TACT
409	X-2187-976-1	COVER ASSY, HANDLE
410	3-067-469-11	SHOE, ACCESSORY
* 411	3-283-980-01	PLATE (B), HANDLE
412	X-2187-975-1	HANDLE ASSY

Ref. No.	Part No.	Description
413	3-283-983-01	BRACKET (R), STRAP
* 414	3-283-979-01	PLATE (A), HANDLE
* 415	3-283-981-01	PLATE (C), HANDLE
416	3-283-982-01	BRACKET (F), STRAP
417	1-834-802-11	CABLE, FLEXIBLE FLAT (FFC-329)
#23	3-080-204-11	SCREW, TAPPING, P2 (Black)
#37	3-080-206-31	SCREW, TAPPING, P2 (Black)
#49	2-630-005-31	SCREW (M2), NEW TRUSTER, P2 (Black)
#100	3-080-203-51	SREW (M2), LOCK ACE, P2 (Black)
#105	2-891-494-31	SCREW (M2), NEW TRUSTER, P2 (Red)
#106	3-713-786-11	SCREW (M2X6) (Black)
#107	3-032-750-01	(+) K SCREW M2 (Silver)

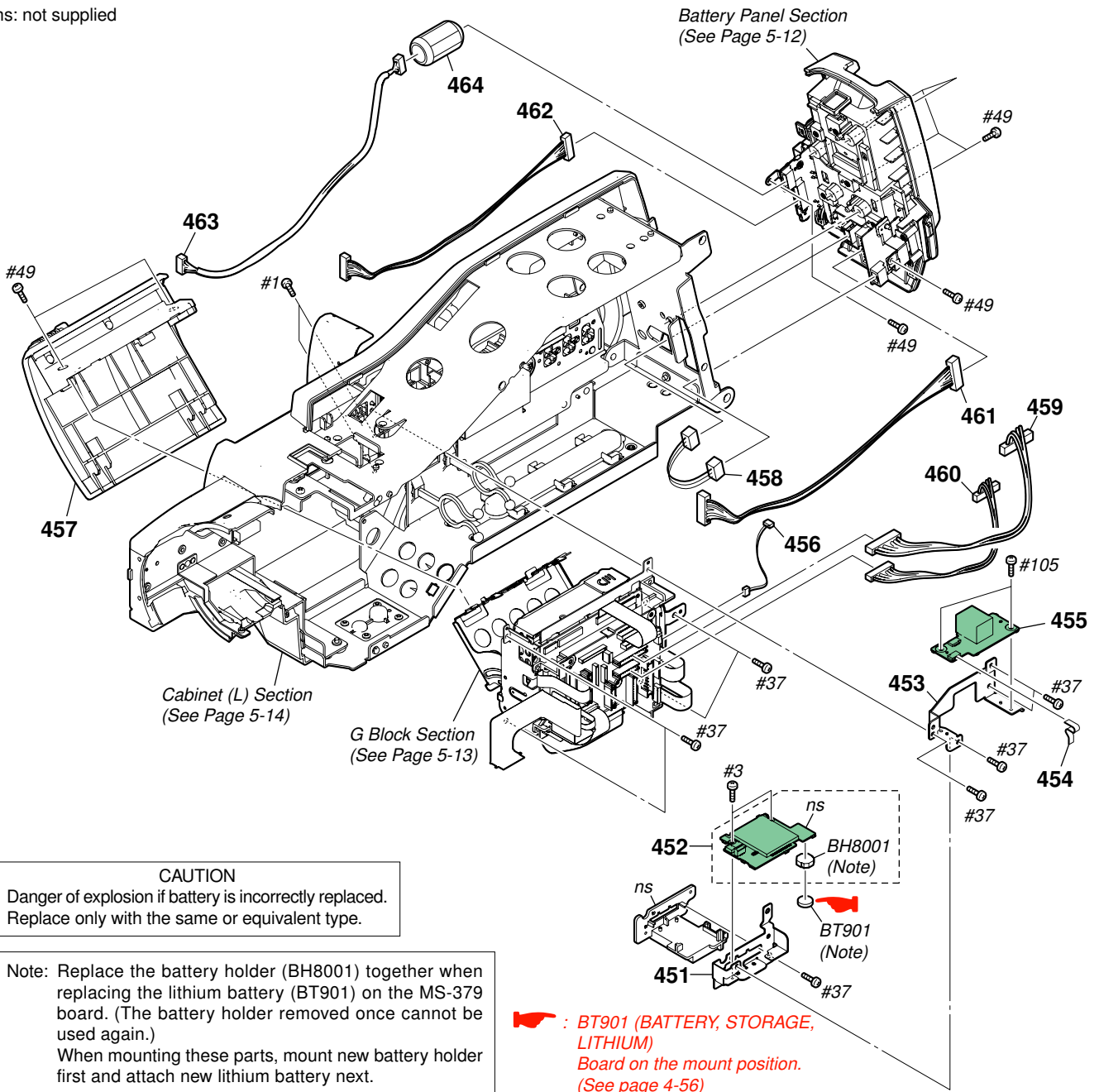
# 5. REPAIR PARTS LIST

## DISASSEMBLY

## HARDWARE LIST

### 5-1-10. OVERALL SECTION-3

ns: not supplied



• Refer to page 5-1 for mark △.

Ref. No.	Part No.	Description
* 451	3-283-936-01	BRACKET, MS
452	A-1438-635-A	MS-379 BOARD, COMPLETE
* 453	3-283-935-01	BRACKET, USB
454	1-833-788-11	CABLE, FLEXIBLE FLAT (FFC-107)
455	A-1438-634-A	US-014 BOARD, COMPLETE
456	1-965-572-11	HARNESS (MI-076)
457	X-2187-985-1	DOOR ASSY, MD
458	1-965-745-11	HARNESS (BD-058)
459	1-965-556-11	HARNESS (IJ-001)
460	1-965-557-11	HARNESS (IJ-002)
461	1-965-554-11	HARNESS (DI-003)

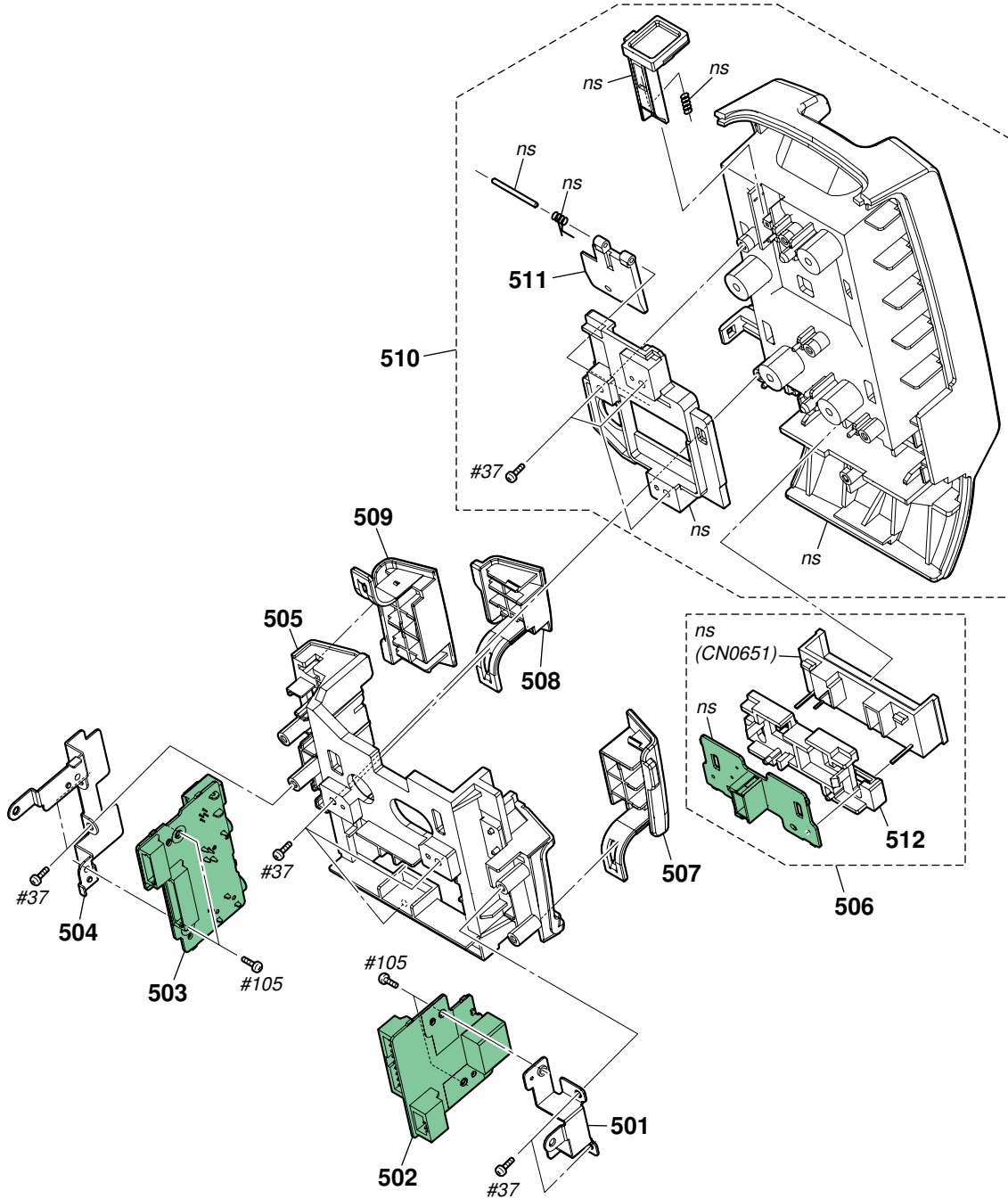
Ref. No.	Part No.	Description
462	1-965-555-11	HARNESS (DI-004)
463	1-965-559-11	HARNESS (DI-005)
464	1-543-793-11	FILTER, CLAMP (FERRITE CORE)
△ BH8001	1-756-615-41	HOLDER, BATTERY
△ BT901	1-756-134-12	BATTERY, STORAGE, LITHIUM
#1	2-635-562-11	SCREW (M1.7) (Black)
#3	2-660-401-01	SCREW (M1.7), NEW TRU-STAR, P2 (Red)
#37	3-080-206-31	SCREW, TAPPING, P2 (Black)
#49	2-630-005-31	SCREW (M2), NEW TRUSTER, P2 (Black)
#105	2-891-494-31	SCREW (M2), NEW TRUSTER, P2 (Red)

# 5. REPAIR PARTS LIST

## HARDWARE LIST

### 5-1-11. BATTERY PANEL SECTION

ns: not supplied



• Refer to page 5-1 for mark △.

Ref. No.	Part No.	Description
* 501	3-283-953-01	PLATE, DC TERMINAL RETAINER
502	A-1438-711-A	DC-110 BOARD, COMPLETE
503	A-1438-710-A	HP-150 BOARD, COMPLETE
* 504	3-283-952-01	PLATE, HP TERMINAL RETAINER
505	X-2187-972-1	PANEL ASSY, JACK

△ 506	A-1438-712-A	BA-008 BOARD, COMPLETE
507	3-284-038-01	COVER (DC), JACK

Ref. No.	Part No.	Description
508	3-284-039-01	COVER (HP), JACK
509	3-284-040-01	COVER (LANC), JACK
510	X-2187-971-1	PANEL ASSY, BT
511	3-060-595-01	CLAW, BT LOCK
* 512	3-283-954-01	PLATE, BT RELEASE RETAINER
#37	3-080-206-31	SCREW, TAPPING, P2 (Black)
#105	2-891-494-31	SCREW (M2), NEW TRUSTER, P2 (Red)

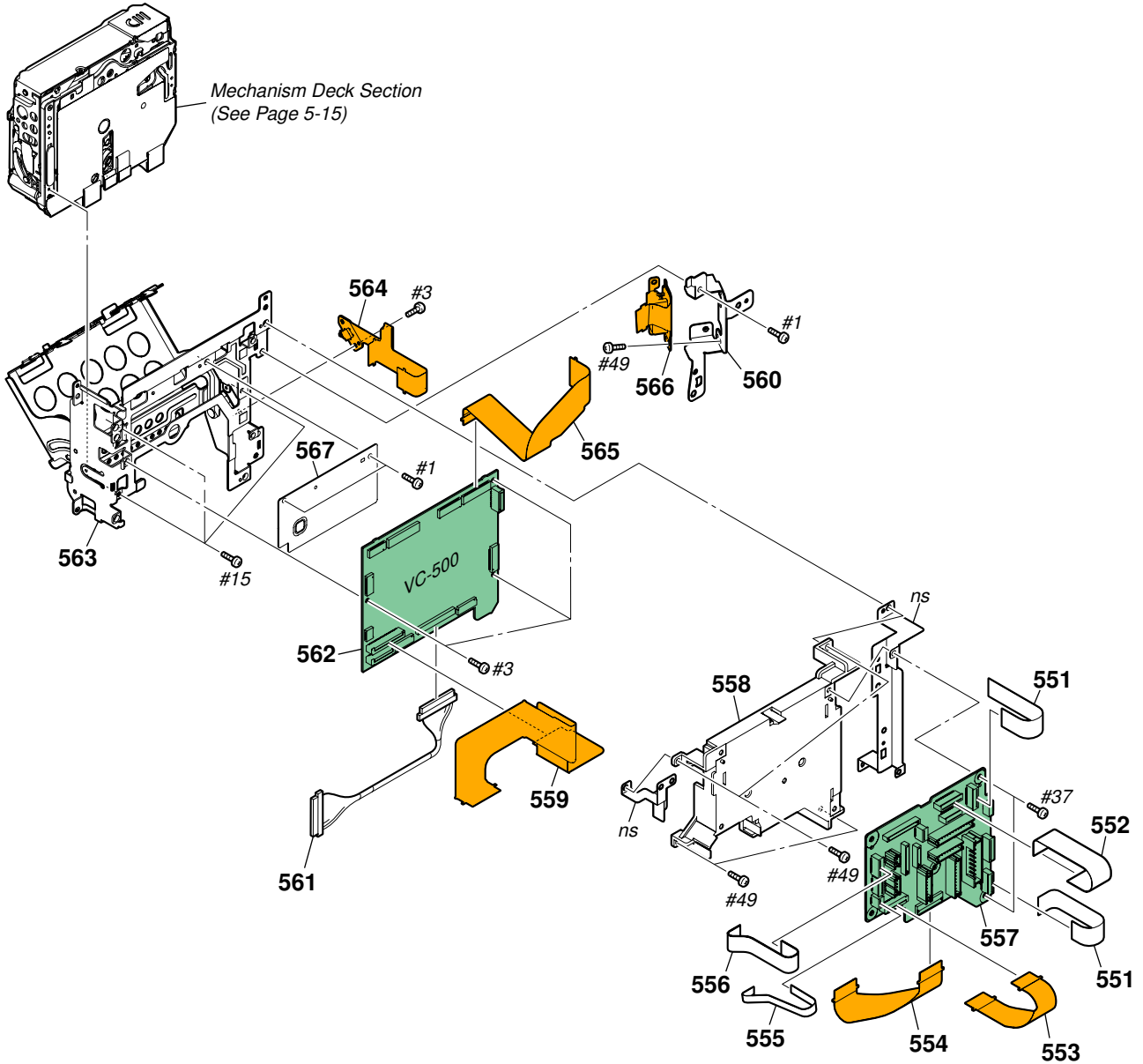
**5. REPAIR PARTS LIST**

**DISASSEMBLY**

**HARDWARE LIST**

**5-1-12. G BLOCK SECTION**

ns: not supplied



Ref. No.	Part No.	Description
551	1-834-804-11	CABLE, FLEXIBLE FLAT (FFC-332)
552	1-834-803-11	CABLE, FLEXIBLE FLAT (FFC-330)
553	1-874-325-11	FP-789 FLEXIBLE BOARD
554	1-874-324-11	FP-788 FLEXIBLE BOARD
555	1-834-806-11	CABLE, FLEXIBLE FLAT (FFC-335)
556	1-834-805-11	CABLE, FLEXIBLE FLAT (FFC-334)
557	A-1438-674-A	IF-155 BOARD, COMPLETE
* 558	3-283-946-01	HOLDER, IF
559	1-874-323-11	FP-787 FLEXIBLE BOARD
* 560	3-283-943-01	BRACKET, HDMI
561	1-965-571-11	HARNESS (HN-047)
562	A-1438-762-A	VC-500 BOARD, COMPLETE (NTSC: HD1000U/HD1000N)

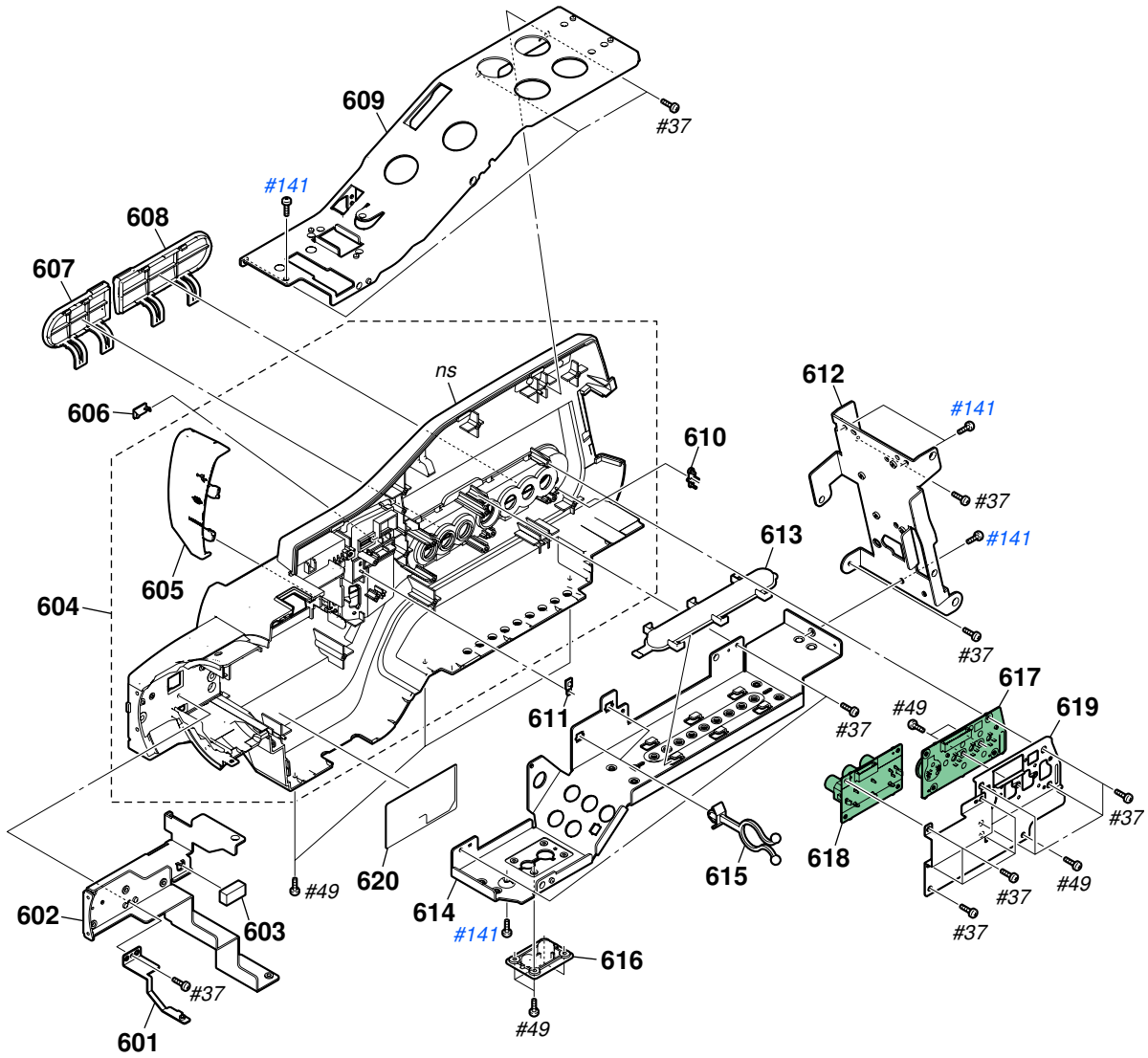
Ref. No.	Part No.	Description
562	A-1438-763-A	VC-500 BOARD, COMPLETE (PAL: HD1000E/HD1000P/HD1000C)
562	A-1671-373-A	VC-500 BOARD, COMPLETE (NTSC: HD1000J)
563	X-2187-970-1	FRAME ASSY (905), MD
564	A-1438-676-A	FP-785 FLEXIBLE BOARD, COMPLETE
565	1-874-322-11	FP-786 FLEXIBLE BOARD
566	A-1438-675-A	FP-867 FLEXIBLE BOARD, COMPLETE
* 567	3-291-065-01	HEAT SINK, VC
#1	2-635-562-11	SCREW (M1.7) (Black)
#3	2-660-401-01	SCREW (M1.7), NEW TRU-STAR, P2 (Red)
#15	3-062-214-01	SCREW (M1.4X1.5) (Silver)
#37	3-080-206-31	SCREW, TAPPING, P2 (Black)
#49	2-630-005-31	SCREW (M2), NEW TRUSTER, P2 (Black)

**5. REPAIR PARTS LIST**

**HARDWARE LIST**

**5-1-13. CABINET (L) SECTION**

ns: not supplied



Ref. No.	Part No.	Description
* 601	3-283-934-01	BRACKET (LOWER), LR
* 602	3-283-933-01	FRAME, MAIN, F
* 603	3-289-516-01	GASKET (LE)
604	X-2187-545-1	CABINET (L) ASSY
605	3-284-122-01	COVER (HDMI), JACK
606	3-284-041-01	LID, CPC
607	3-284-042-01	COVER (F), PIN JACK
608	3-284-043-01	COVER (R), PIN JACK
* 609	3-283-931-01	FRAME, MAIN, T
* 610	3-283-939-01	BUTTON, RESET
* 611	3-283-938-01	TALLY, MS
* 612	3-283-932-01	FRAME, MAIN, R

Ref. No.	Part No.	Description
* 613	3-284-049-01	BASE, SHOULDER PAD FITTING
* 614	3-283-930-01	FRAME, MAIN, B
615	3-703-319-01	PURSE LOCK (DIA.15)
616	2-178-793-02	BRACKET (TRIPOD)
617	A-1438-636-A	JS-033 BOARD, COMPLETE
618	A-1438-637-A	JK-355 BOARD, COMPLETE
* 619	3-283-940-01	PLATE, JK GROUND
620	3-286-017-01	LABEL, FUSE
#37	3-080-206-31	SCREW, TAPPING, P2 (Black)
#49	2-630-005-31	SCREW (M2), NEW TRUSTER, P2 (Black)
#141	7-685-791-01	SCREW +PTT 2.6X5 (S) (Silver)



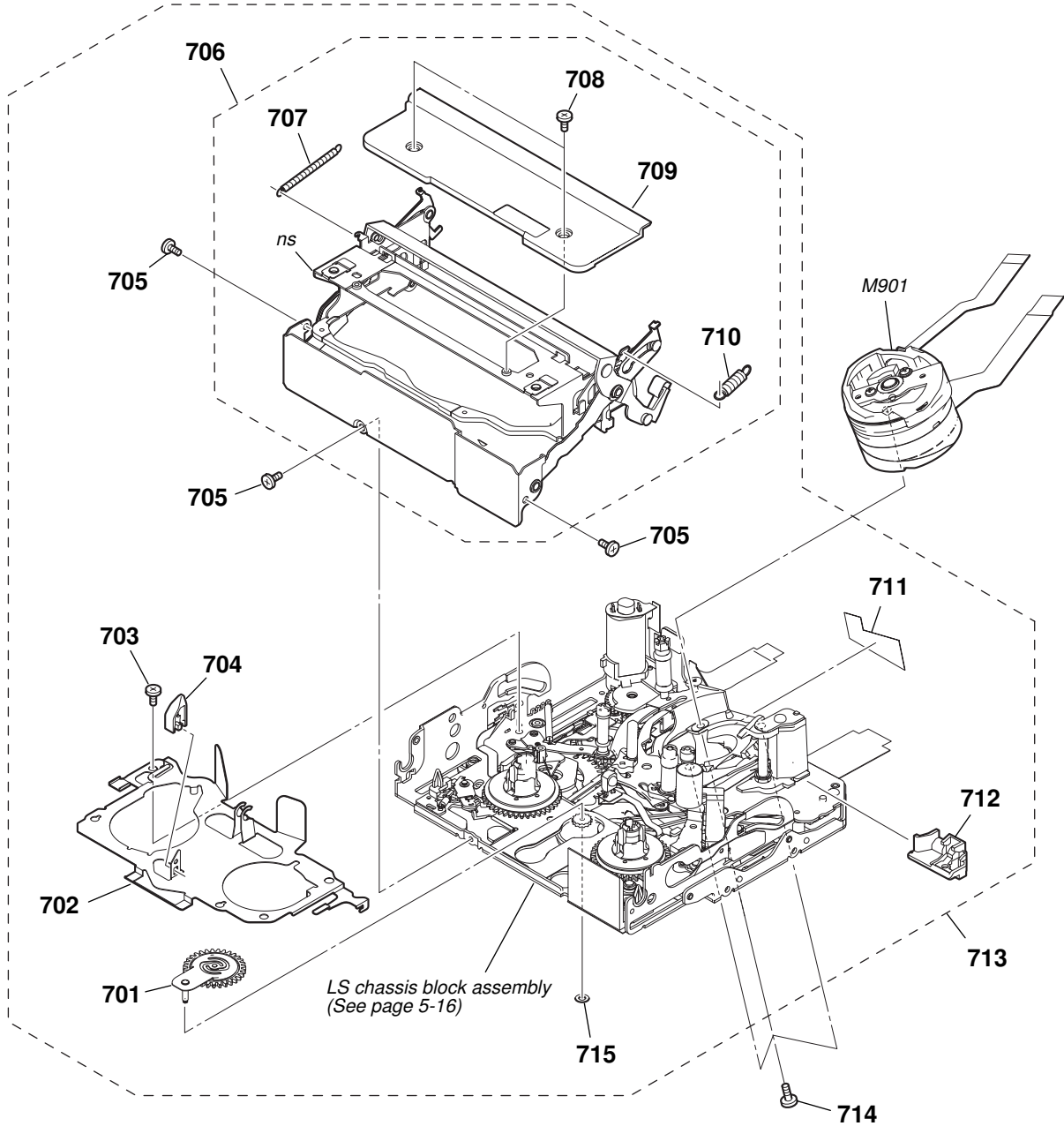
**Ver. 1.3 2008.12**

The changed portions from Ver. 1.2 are shown in blue.

**5. REPAIR PARTS LIST**

**5-1-14. MECHANISM DECK SECTION**

ns: not supplied



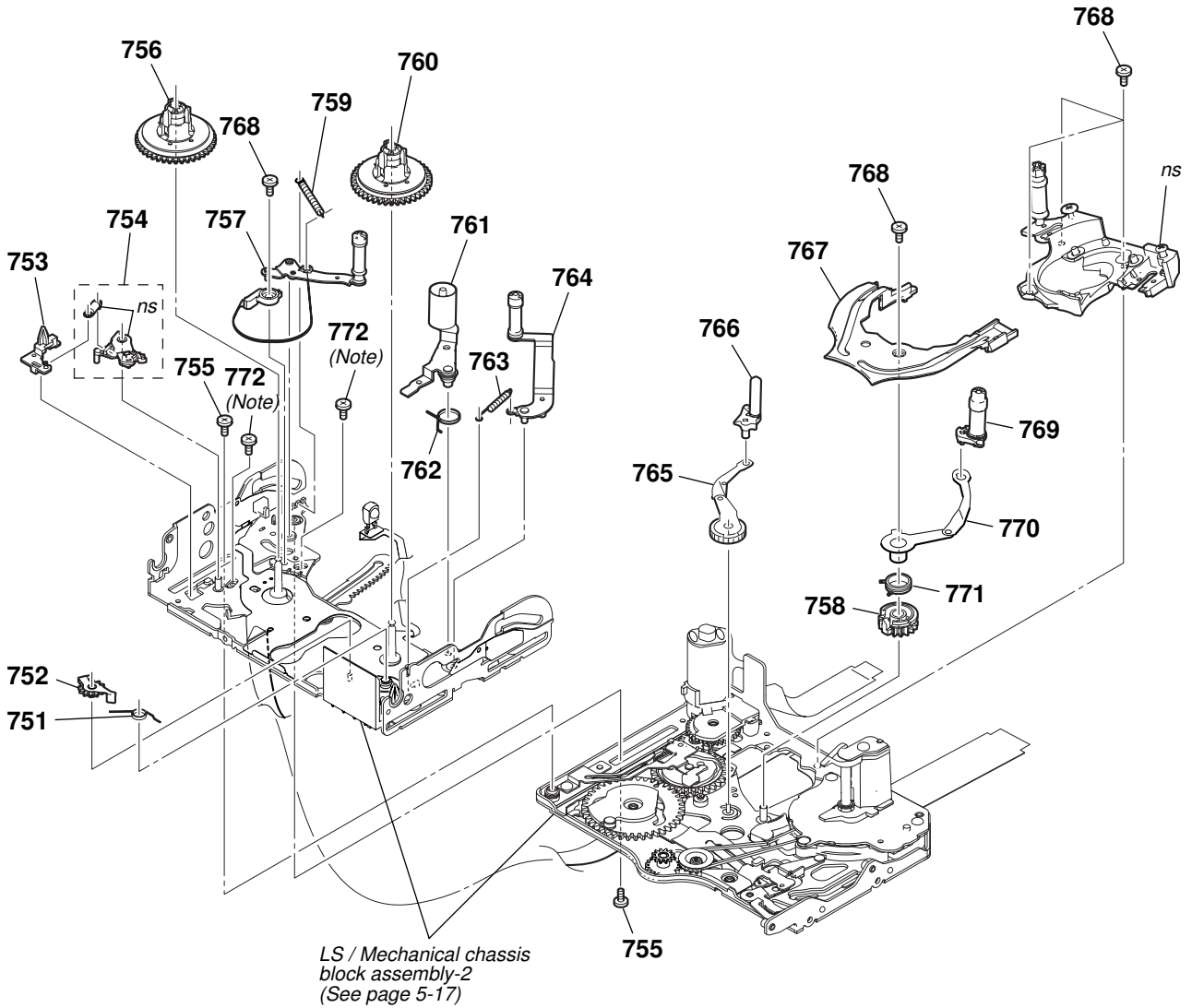
Ref. No.	Part No.	Description
701	X-2024-478-1	PENDULUM ASSY
702	2-342-917-02	BASE, LED
703	7-627-850-77	SCREW, PRECISION +P 1.4X1.8
704	3-079-366-11	RELEASE, REEL LOCK
705	3-703-816-08	SCREW (M1.4X1.4), SPECIAL HEAD
706	<b>X-2103-406-3</b>	<b>CASSETTE COMPARTMENT ASSY</b>
707	2-342-926-01	SPRING (ARM S), TENSION COIL
708	2-546-417-01	SCREW (M1.4)
709	2-342-933-02	PLATE, TOP

Ref. No.	Part No.	Description
710	2-342-927-01	SPRING (ARM T), TENSION COIL
711	2-541-585-01	SHEET, FLEXIBLE ADHESIVE
712	2-342-918-01	TG6 CATCHER
713	A-1437-006-A	MD (N220) SUB ASSY (S) A
714	3-703-816-13	SCREW (M1.4X2.0), SPECIAL HEAD
715	3-315-414-31	WASHER
M901	A-1154-545-A	DRUM (DEH-33E-R)

**5. REPAIR PARTS LIST**

**5-1-15. LS/MECHANICAL CHASSIS BLOCK ASSEMBLY-1**

ns: not supplied



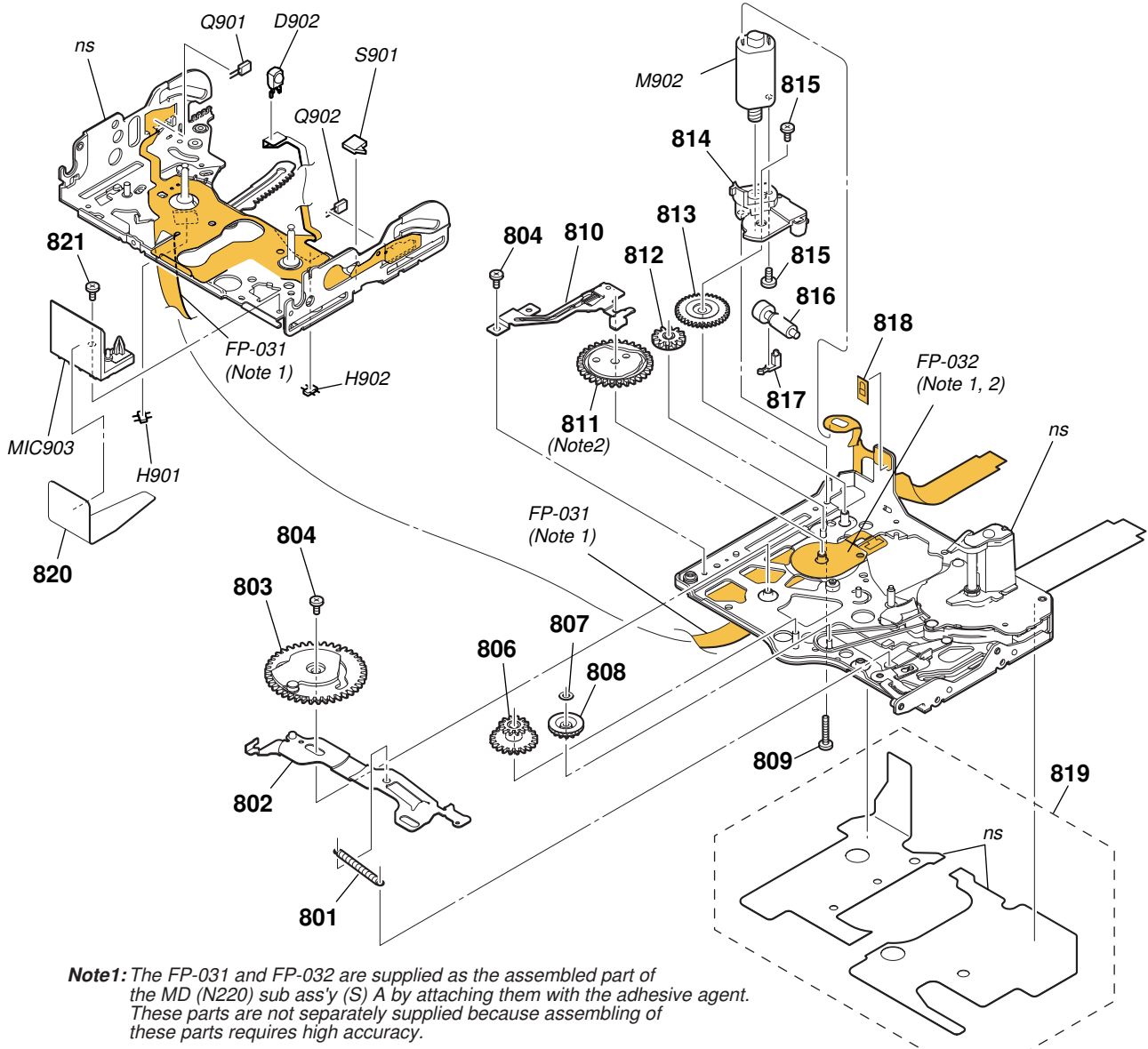
**Note:** These two screws are the fixing screws of the LS cam plate.  
 These two fixing screws are used for adjusting the LS cam plate position.  
 (refer to 4-2. LS cam adjustment of 6-2. MECHANISM SECTION ADJUSTMENTS)

Ref. No.	Part No.	Description	Ref. No.	Part No.	Description
751	2-342-759-01	SPRING, RVS BRAKE	763	2-342-626-01	SPRING (TG6 RETURN), COIL
752	A-1083-005-A	BRAKE BLOCK ASSY, RVS	764	A-1083-002-A	TG6 BLOCK ASSY
753	2-342-731-01	POSITIONING (S)	765	X-2024-468-1	ARM (S) ASSY, GL
754	A-1083-006-A	BRAKE BLOCK ASSY, S	766	X-2024-465-1	COASTER (S) ASSY
755	3-075-097-11	SCREW (M1.4X1.4), SPECIAL HEAD	767	2-342-612-01	RAIL
756	X-2067-290-1	TABLE ASSY, S REEL	768	3-703-816-13	SCREW (M1.4X2.0), SPECIAL HEAD
757	A-1132-279-A	REGULATOR BLOCK ASSY, TENSION	769	X-2024-466-1	COASTER (T) ASSY
758	2-342-705-01	GEAR (T), GL	770	X-2024-469-1	ARM (T) ASSY, GL
759	2-342-902-01	SPRING, TENSION REGULATOR	771	2-342-716-01	SPRING (T), GL TORSION
760	X-2067-291-1	TABLE ASSY, T REEL	772	3-703-816-08	SCREW (M1.4X1.4), SPECIAL HEAD
761	X-2067-295-1	ARM ASSY, PINCH			(for adjustment)
762	2-342-906-01	SPRING (PINCH RETURN), TORSION			

**5. REPAIR PARTS LIST**

**5-1-16. LS/MECHANICAL CHASSIS BLOCK ASSEMBLY-2**

ns: not supplied



**Note1:** The FP-031 and FP-032 are supplied as the assembled part of the MD (N220) sub ass'y (S) A by attaching them with the adhesive agent. These parts are not separately supplied because assembling of these parts requires high accuracy.

**Note2:** The mode switch (S903) function works when the contactor of the FP-032 contacts with the bottom surface of wiper of the mode gear ass'y.

Ref. No.	Part No.	Description	Ref. No.	Part No.	Description
801	2-342-624-01	SPRING (PINCH LIMITER), COIL	817	2-637-947-01	BASE, MOTOR HOLDER
802	X-2024-463-2	SLIDER ASSY, MODE	818	1-677-049-11	FP-228 FLEXIBLE BOARD (DEW SENSOR)
803	X-2067-281-1	GEAR ASSY, CAM	819	2-342-686-01	COVER, CAPSTAN
804	3-075-097-11	SCREW (M1.4X1.4), SPECIAL HEAD	820	2-541-984-01	MIC COVER
806	2-342-621-01	GEAR, RELAY	821	3-703-816-13	SCREW (M1.4X2.0), SPECIAL HEAD
807	3-315-414-31	WASHER	D902	6-500-652-01	DIODE GL453SE0000F (TAPE LED)
808	2-342-620-01	GEAR, CONVERSION	H901	8-719-067-74	ELEMENT, HOLE HW-105A-CDE-T (S REEL)
809	3-084-377-01	HEAD (SCREW M1.2)	H902	8-719-067-74	ELEMENT, HOLE HW-105A-CDE-T (T REEL)
810	X-2024-460-1	BASE ASSY, CAM	M902	X-2067-283-2	MOTOR ASSY (LOADING)
811	X-2024-461-1	GEAR ASSY, MODE	MIC903	1-818-576-11	PIN, CONNECTOR (WITH DETECTION)
812	2-342-615-01	GEAR, NO.2	Q901	6-550-672-01	TRANSISTOR PT4850FJE00F (TAPE END)
813	2-342-691-01	GEAR, NO.1	Q902	6-550-672-01	TRANSISTOR PT4850FJE00F (TAPE TOP)
814	2-637-945-01	HOLDER, MOTOR	S901	1-786-448-22	SWITCH, PUSH (1 KEY) (CC DOWN)
815	3-895-822-71	SCREW (M1.2X2), SPECIAL, 0			
816	2-342-689-01	SHAFT (2J), WORM			