

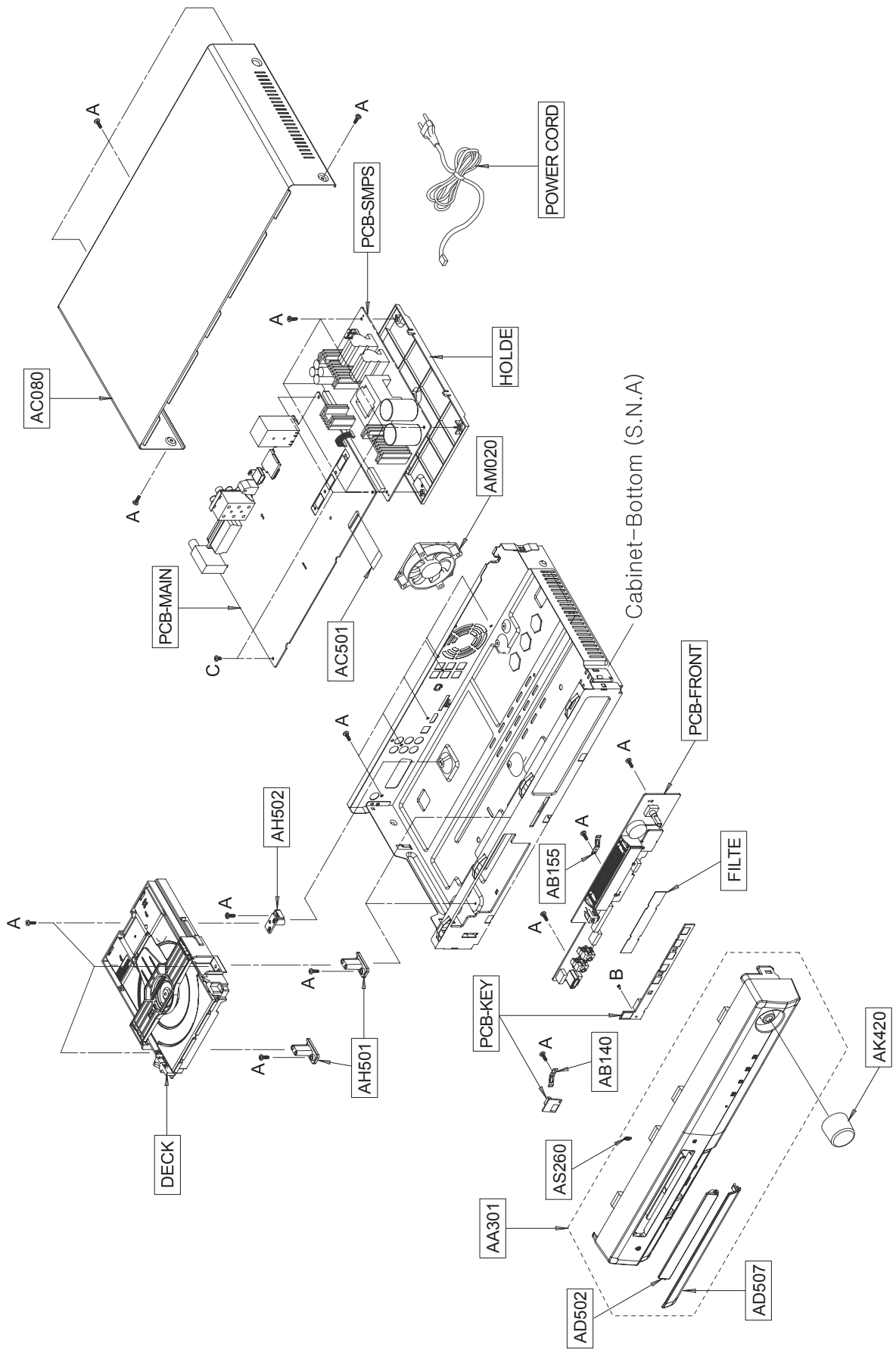
---

## 5. Exploded View & Part List

---

<b>5-1</b>	<b>Exploded View .....</b>	<b>5-2</b>
<b>5-2</b>	<b>Speaker System.....</b>	<b>5-4</b>
<b>5-3</b>	<b>Electrical Part List.....</b>	<b>5-5</b>

# 5-1 Exploded View

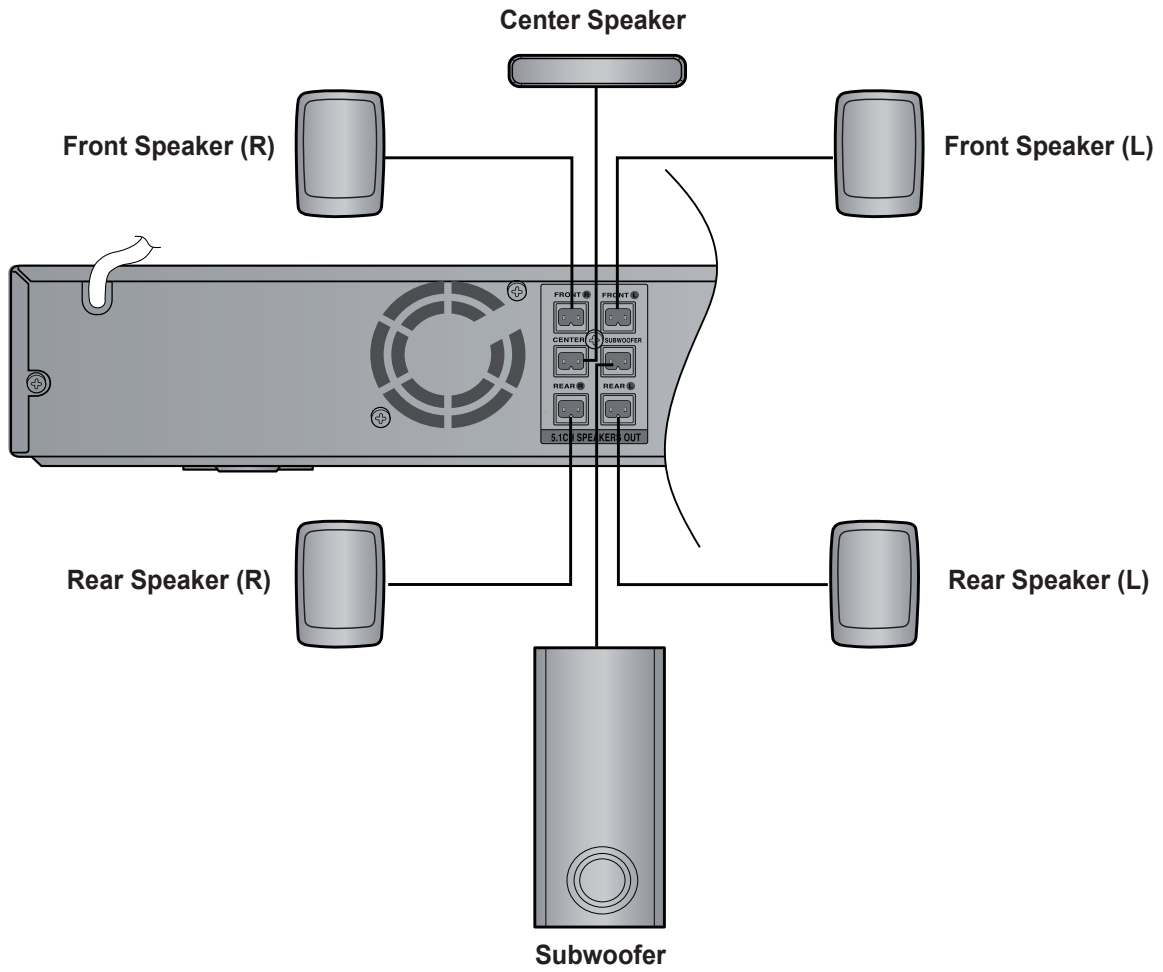


× S.N.A: Service Not Available

## ■ Part List

Loc. No.	Code No.	Description;Specification	Q'ty	SNA	Remark
AA301	AH97-03083B	ASSY FRONT;HT-Z320,HT-Z320/EUR,ASSY-FRON	1	SA	
AB140	AH61-02811A	BRACKET-DOOR;HT-Z320,SUS304,0.3T,6,23	1	SA	
AB155	AH61-02874A	BRACKET-FRONT;HT-Z320,SUS304,0.3T,6,23	1	SA	
AC080	AH64-04895A	CABINET-TOP;HT-Z320,SECC,0.5T,429.6,228.	1	SA	
AC501	3809-002052	CABLE-FLAT;30V,80,140mm,32P,1.0mm,UL2896	1	SA	
AD502	AH64-04897B	DOOR-DVD;HT-Z320,ABS+PMMA,2.5T,15.2,143	1	SA	
AD507	AH64-04898C	DOOR-JACK;HT-Z320/EUR,ABS+PMMA,21.20,186	1	SA	
AH501	AH61-02747A	HOLDER-MECHA-FRONT;HT-Z320,HIPS,1.5,20,3	2	SA	
AH502	AH61-02748A	HOLDER-MECHA-REAR;HT-Z320,HIPS,1.5,20,30	1	SA	
AK420	AH64-04855A	KNOB-VOLUME;HT-Z120,ABS,T2.0,WHT	1	SA	
AM020	AH31-00029E	MOTOR FAN;C161NK10B0110,MX-GT88,0.15A,1.	1	SA	
AS260	AH61-02527A	SPRING ETC-DOOR;HT-Z310,STS 304 WPS,0.2,	1	SA	
FILTE	AH63-01537B	FILTER-VFD;HT-Z320,PC,T0.3,15.2,99,RED	1	SA	
HOLDE	AH61-02750A	HOLDER-SMPS;HT-Z320,HIPS,1.5,20,30,BLK	1	SA	
DECK	AH96-00010C	ASSY DECK;HT-Z420/320/220,NEW TRAY,CABLE	1	SA	
PCB-FRONT	AH92-03032A	ASSY PCB FRONT;DVD-RECEIVER,HT-Z320,FRON	1	SA	
PCB-KEY	AH92-02980A	ASSY PCB FUNCTION-KEY;DVD-RECEIVER,HT-Z3	1	SA	
PCB-MAIN	AH92-03001A	ASSY PCB MAIN;-;HT-Z320,MAIN PCB,EUR,-	1	SA	
PCB-SMPS	AH92-02992A	ASSY PCB SMPS;HT-Z320,HT-Z320,BASIC,200-	1	SA	
POWER CORD	3903-000407	CBF-POWER CORD;AT,EU,CP2,HOUSING(2P),250	1	SA	
A	6003-000275	SCREW-TAPTYPE;BH,+,-,B,M3,L10,ZPC(BLK),S	25	SA	
B	6003-001479	SCREW-TAPTYPE;BH,+,-,B,M1.7,L4,NI PLT,SWRC	4	SA	
C	6003-001561	SCREW-TAPTYPE;BH,+,-,B,M3,L6,ZPC(WHT),SW	3	SA	

## 5-2 Speaker System



### ■ Part List

Loc. No.	Code No.	Description;Specification	Q'ty	SNA	Remark
Front Speaker (R)	AH81-04855B	SPEAKER-FRONT RIGHT;FRONT RIGHT SPEAKER,PART FOR PS-Z320,-,-,-,-,-	1	SA	
Front Speaker (L)	AH81-04855A	SPEAKER- FRONT LEFT;FRONT LEFT SPEAKER,PART FOR PS-Z320,-,-,-,-,-	1	SA	
Center Speaker	AH81-04855C	SPEAKER-CENTER;CENTER SPEAKER,PART FOR PS-Z320,-,-,-,-,-	1	SA	
Rear Speaker (R)	AH81-04855E	SPEAKER-REAR RIGHT;REAR RIGHT SPEAKER, PART FOR PS-Z320,-,-,-,-,-	1	SA	
Rear Speaker (L)	AH81-04855D	SPEAKER-REAR LEFT;REAR LEFT SPEAKER,PART FOR PS-Z320,-,-,-,-,-	1	SA	
Subwoofer	AH81-04855F	SPEAKER-SUBWOOFER;SUBWOOFER SPEAKER, PART FOR PS-Z320,-,-,-,-,-	1	SA	

## 5-3 Electrical Part List

Loc. No.	Part No.	Description;Specification	Q'ty	SNA	Remark	Loc. No.	Part No.	Description;Specification	Q'ty	SNA	Remark
	<b>AH59-02131G REMOCOCON-ASSY;HT-Z320/Z420-EUR,SAMSU</b>		<b>1</b>	<b>SA</b>							
	AH83-00021A	CKD-CASE-TOP;VR9060,PMMA+ABS(SF-050	1	SNA			AH81-04855F	SPEAKER-SUBWOOFER;SUBWOOFER SPEAKER	1	SA	
	AH83-00022A	CKD-CASE-BOTTOM;VR9060,ABS(HF-0680	1	SNA			AH81-03455A	SPEAKER-FRONT PANEL;PS-Z210,FRONT P	1	SA	
	AH83-00023A	CKD-RUBBER-KEY;VR9060,SILICONE-RUBB	1	SNA			AH81-03848T	SPEAKER-SUBWOOFER SPK UNIT;SUBWOOFER	1	SA	
	AH83-00024A	CKD-SPRING-REMOCON(+);VR9060,SUS 30	1	SNA			AH81-03848U	SPEAKER-PAPER DUCT;PAPER DUCT,150MM	1	SNA	
	AH83-00025A	CKD-SPRING-REMOCON(-);VR9060,SUS 30	1	SNA			AH81-03848V	SPEAKER-EPS DUCT;EPS DUCT,-,part fo	1	SNA	
	AH83-00026A	CKD-SPRING-REMOCON(C);VR9060,SUS 30	1	SNA			AH81-04855Q	SPEAKER-SUBWOOFER WIRE;SUBWOOFER S	1	SA	
	AH83-00027A	CKD-SCREW;VR9060,TAP,M2*5	1	SNA							
	AH83-00028A	CKD-PE-BAG;VR9060,HDPE/NITRON/HDPE,	1	SNA			<b>PCB-KEY AH92-02980A ASSY PCB FUNCTION-KEY;DVD-RECEIVER,</b>	<b>1</b>	<b>SA</b>		
	AH83-00029A	CKD-PASSED-LABEL;VR9060,ART 90g(WHI	1	SNA		01-Dec	2203-000257	C-CER,CHIP;10nF,10%,50V,X7R,TP,1608	1	SA	
	AH83-00030A	CKD-PCB;VR9060,FR-1,40.0*213*1.6T	1	SNA		C1	2203-000384	C-CER,CHIP;0,015nF,5%,50V,COG,1608	1	SA	
	AH83-00031A	CKD-R-CHIP;VR9060,22,J,1/8W,2012,SM	1	SNA		D1	0401-001099	DIODE-SWITCHING;1N4148WS,75V,150mA,	1	SA	
	AH83-00032A	CKD-C-CHIP;VR9060,104,Z,50V,2012,SM	1	SNA		DER1	2007-000090	R-CHIP;10Kohm,5%,1/10W,TP,1608	1	SA	
	AH83-00033A	CKD-LED-IR;VR9060,S15312-H,CLEAR,5.	1	SNA		FC1	2203-005249	C-CER,CHIP;100nF,10%,50V,X7R,TP,160	1	SA	
	AH83-00034A	CKD-LED-CHIP;VR9060,SY1216-C,ORANGE	2	SNA		FD1	0601-001226	LED;SMD,RED,1.2x0.8mm,660nm,1.6x0.	1	SA	
	AH83-00035A	CKD-R-CHIP;VR9060,4.7,J,1/8W,2012,S	1	SNA		FPZD1	0403-001411	DIODE-ZENER;5.49-5.73V,200mW,SOD-32	1	SA	
	AH83-00036A	CKD-TR-CHIP;VR9060,STC3265Y/2SC5344	1	SNA		FR1	2007-000100	R-CHIP;68Kohm,5%,1/10W,TP,1608	1	SA	
	AK83-01003A	CKD-DOOR-BATTERY;VR9047,ABS(HF-0680	1	SNA		FTCN1	3711-003591	HEADER-BOARD TO CABLE;BOX,4P,1R,2mm	1	SA	
	AK83-01013A	CKD-E-CAPACITOR;VR9047,47uF,16V,M,5	1	SNA		IC1	1209-001851	IC-SENSOR;MST08S16,SOP,16P,9.9x3.9mm	1	SA	
	AK83-01017A	CKD-RESONATOR-CERAMIC;VR9047,4.0MHz	1	SNA		PCB	AH41-01195A	PCB-FUNCTIONKEY;HT-Z320,2Layer,T1.6	0.083	SNA	
	AK83-01018A	CKD-IC-MCU;VR9047,ADAM40P2728,SOP	1	SNA		R1	2007-001139	R-CHIP;7.5Kohm,1%,1/10W,TP,1608	1	SA	
						R2	2007-000066	R-CHIP;20Kohm,1%,1/10W,TP,1608	1	SA	
						R3	2007-000497	R-CHIP;2.2Mohm,1%,1/10W,TP,1608	1	SA	
						TFCO1	3711-003137	HEADER-BOARD TO CABLE;BOX,6P,1R,2mm	1	SA	
	<b>AH59-02154B SPEAKER SYSTEM-PS-Z320 SATELLI;PS-Z</b>		<b>1</b>	<b>SNA</b>		TOC1	2203-005249	C-CER,CHIP;100nF,10%,50V,X7R,TP,160	1	SA	
	AH81-04855C	SPEAKER-CENTER;CENTER SPEAKER,PART	1	SA		TOC10	2203-005249	C-CER,CHIP;100nF,10%,50V,X7R,TP,160	1	SA	
	AH61-02814A	CASE-PART;PS-Z220,HIPS,42MM,57MM,30	1	SNA		TOC11	2203-000384	C-CER,CHIP;0,015nF,5%,50V,COG,1608	1	SA	
	AH81-04662A	SPEAKER;NET FRAME_C,250*10*55,ABS,	1	SA		TOC12	2203-005249	C-CER,CHIP;100nF,10%,50V,X7R,TP,160	1	SA	
	AH81-04669A	SPEAKER;GRILLE_C,220*9*45,STEEL, SP	1	SA		TOC2	2203-005249	C-CER,CHIP;100nF,10%,50V,X7R,TP,160	1	SA	
	AH81-04855H	SPEAKER-CENTER UNIT;CENTER SPK UNI	2	SA		TOC3	2203-000384	C-CER,CHIP;0,015nF,5%,50V,COG,1608	1	SA	
	AH81-04855M	SPEAKER-CENTER WIRE;CENTER SPK WIRE	1	SA		TOC4	2203-005249	C-CER,CHIP;100nF,10%,50V,X7R,TP,160	1	SA	
	AH81-04855N	SPEAKER-REAR LEFT;REAR LEFT SPEAKER	1	SA		TOC5	2203-000384	C-CER,CHIP;0,015nF,5%,50V,COG,1608	1	SA	
	AH61-02813A	CASE-PART;PS-Z220,HIPS,78.68MM,100M	1	SNA		TOC6	2203-005249	C-CER,CHIP;100nF,10%,50V,X7R,TP,160	1	SA	
	AH61-02816A	FRAME-PART;PS-Z220,ABS,SPHZ,BLACK,4	1	SNA		TOC7	2203-000384	C-CER,CHIP;0,015nF,5%,50V,COG,1608	1	SA	
	AH81-04778A	GRILL-PART;PS-Z320,GRILL-F,PS-Z220,	1	SA		TOC8	2203-005249	C-CER,CHIP;100nF,10%,50V,X7R,TP,160	1	SA	
	AH81-04855J	SPEAKER-REAR UNIT;REAR SPK UNIT,PA	1	SA		TOC9	2203-000384	C-CER,CHIP;0,015nF,5%,50V,COG,1608	1	SA	
	AH81-04855N	SPEAKER-REAR LEFT WIRE;REAR LEFT S	1	SA		TOD1	0401-001099	DIODE-SWITCHING;1N4148WS,75V,150mA,	1	SA	
	AH81-04855E	SPEAKER-REAR RIGHT;REAR RIGHT SPEAK	1	SA		TOD2	0401-001099	DIODE-SWITCHING;1N4148WS,75V,150mA,	1	SA	
	AH61-02813A	CASE-PART;PS-Z220,HIPS,78.68MM,100M	1	SNA		TOD3	0401-001099	DIODE-SWITCHING;1N4148WS,75V,150mA,	1	SA	
	AH61-02816A	FRAME-PART;PS-Z220,ABS,SPHZ,BLACK,4	1	SNA		TOD4	0401-001099	DIODE-SWITCHING;1N4148WS,75V,150mA,	1	SA	
	AH81-04778A	GRILL-PART;PS-Z320,GRILL-F,PS-Z220,	1	SA		TOD5	0401-001099	DIODE-SWITCHING;1N4148WS,75V,150mA,	1	SA	
	AH81-04855J	SPEAKER-REAR UNIT;REAR SPK UNIT,PA	1	SA		TOR1	2007-000080	R-CHIP;2Kohm,5%,1/10W,TP,1608	1	SA	
	AH81-04855P	SPEAKER-REAR RIGHT WIRE;REAR RIGHT	1	SA		TOR10	2007-000497	R-CHIP;2.2Mohm,1%,1/10W,TP,1608	1	SA	
	AH81-04855U	SPEAKER-FRONT LEFT SPEAKER SYS;FRON	1	SA		TOR11	2007-000066	R-CHIP;20Kohm,1%,1/10W,TP,1608	1	SA	
	AH61-02816A	FRAME-PART;PS-Z220,ABS,SPHZ,BLACK,4	1	SNA		TOR12	2007-000497	R-CHIP;2.2Mohm,1%,1/10W,TP,1608	1	SA	
	AH81-02813A	RESISTOR-CARBON FILM;1/8W,10K ohm,1	1	SNA		TOR2	2007-000080	R-CHIP;2Kohm,5%,1/10W,TP,1608	1	SA	
	AH81-04778A	GRILL-PART;PS-Z320,GRILL-F,PS-Z220,	1	SA		TOR3	2007-000066	R-CHIP;20Kohm,1%,1/10W,TP,1608	1	SA	
	AH81-04855G	SPEAKER-FRONT UNIT;FRONT SPK UNIT,P	1	SA		TOR4	2007-000497	R-CHIP;2.2Mohm,1%,1/10W,TP,1608	1	SA	
	AH81-04855K	SPEAKER-FRONT LEFT WIRE;FRONT LEFT	1	SA		TOR5	2007-000066	R-CHIP;20Kohm,1%,1/10W,TP,1608	1	SA	
	AH81-04855V	SPEAKER-FRONT RIGHT SPK SYSTEM;FRON	1	SA		TOR6	2007-000497	R-CHIP;2.2Mohm,1%,1/10W,TP,1608	1	SA	
	AH81-03487A	SPEAKER-FRONT PANEL;PS-Z510,FRONT P	1	SNA		TOR7	2007-000066	R-CHIP;20Kohm,1%,1/10W,TP,1608	1	SA	
	AH81-03565A	SPEAKER-REAR CASE FRONT;REAR CASE_F	1	SNA		TOR8	2007-000497	R-CHIP;2.2Mohm,1%,1/10W,TP,1608	1	SA	
	AH81-04778A	GRILL-PART;PS-Z320,GRILL-F,PS-Z220,	1	SA		TOR9	2007-000066	R-CHIP;20Kohm,1%,1/10W,TP,1608	1	SA	
	AH81-04855G	SPEAKER-FRONT UNIT;FRONT SPK UNIT,P	1	SA		TP16	1209-001866	IC-SENSOR;SS501,SOT-26,6P,2.9x1.6mm	1	SA	
	AH81-04855L	SPEAKER-FRONT RIGHT WIRE;FRONT RIG	1	SA			AH99-00218A	ASSY AUTO INSERT-TOUCH/POWER;-;HT-Z	1	SNA	
	<b>AH59-02155B SPEAKER SYSTEM-PS-Z320 SUBWOOF;PS-Z</b>		<b>1</b>	<b>SNA</b>			<b>PCB-SMPS AH92-02992A ASSY PCB SMPS;HT-Z320,HT-Z320,BASIC</b>	<b>1</b>	<b>SA</b>		

Exploded View & Part List

Loc. No.	Part No.	Description;Specification	Q'ty	SNA	Remark	Loc. No.	Part No.	Description;Specification	Q'ty	SNA	Remark
BD1	0402-001258	DIODE-BRIDGE;GBU606,600V,6A,SIP-4,B	1	SA		D06	0402-001427	DIODE-RECTIFIER;ES1D,200V,1A,DO-214	1	SA	
BRT1	AH63-018444	EARTH;HT-Z320,C2680R-1/2H,0.5,NO	1	SA		D07	0401-001099	DIODE-SWITCHING;1N4148WS,75V,150mA,	1	SA	
BRT2	AH63-018444	EARTH;HT-Z320,C2680R-1/2H,0.5,NO	1	SA		D08	0402-001427	DIODE-RECTIFIER;ES1D,200V,1A,DO-214	1	SA	
BRT3	AH63-018444	EARTH;HT-Z320,C2680R-1/2H,0.5,NO	1	SA		D09	0401-001099	DIODE-SWITCHING;1N4148WS,75V,150mA,	1	SA	
C01	2305-001016	C-FILM,LEAD-PEF;10nF,10%,630V,TP,12	1	SA		D1201	0402-000268	DIODE-RECTIFIER;SB360,60V,3A,DO-201	1	SA	
C02	2301-001796	C-FILM,PEF;0.56nF,5%,1000V,23x12mm	1	SA		DD01	0401-000005	DIODE-SWITCHING;1N4148,75V,150mA,DO	1	SA	
C03	2203-000998	C-CER,CHIP;0.047nF,5%,50V,C0G,1608	1	SA		DD02	0401-000005	DIODE-SWITCHING;1N4148,75V,150mA,DO	1	SA	
C04	2203-005249	C-CER,CHIP;100nF,10%,50V,X7R,TP,160	1	SA		DD03	0401-000005	DIODE-SWITCHING;1N4148,75V,150mA,DO	1	SA	
C05	2203-005565	C-CER,CHIP;1nF,5%,50V,NP0,TP,1608	1	SA		DD04	0401-000005	DIODE-SWITCHING;1N4148,75V,150mA,DO	1	SA	
C06	2203-005565	C-CER,CHIP;1nF,5%,50V,NP0,TP,1608	1	SA		DD05	0402-000511	DIODE-SCHOTTKY;SS14,40V,1000MA,DO-2	1	SA	
C07	2301-000129	C-FILM,LEAD-PEF;100nF,5%,50V,TP,10X	1	SA		DD06	0402-000511	DIODE-SCHOTTKY;SS14,40V,1000MA,DO-2	1	SA	
C08	2201-000551	C-CERAMIC,DISC;0.47nF,10%,1KV,Y5P,T	1	SA		DR3502	0402-001637	DIODE-RECTIFIER;FFA60UP20DN,200V,30	1	SA	
C1201	2203-000206	C-CER,CHIP;100nF,10%,50V,X7R,TP,201	1	SA		DR5601	0402-001439	DIODE-RECTIFIER;SHK75-11,100V,3A,DO	1	SA	
C1202	2203-006698	C-CER,CHIP;1000nF,10%,25V,X7R,1608	1	SA		F1	3601-001491	FUSE-RADIAL LEAD;250V,6.3A,TIME DEL	1	SA	
C5601	2203-006698	C-CER,CHIP;1000nF,10%,25V,X7R,1608	1	SA		HOLDER_SMPSAH61-02750A	HOLDER-SMPS;HT-Z320,HIPS,1.5,20,30,	1	SA		
C5602	2203-006698	C-CER,CHIP;1000nF,10%,25V,X7R,1608	1	SA		HS1	AH62-00201A	HEAT SINK;HT-Z320,A6063S-T5,1.5,18,	1	SA	
C5603	2203-000491	C-CER,CHIP;2.2nF,10%,50V,X7R,1608	1	SA		HS2	AH62-00201A	HEAT SINK;HT-Z320,A6063S-T5,1.5,18,	1	SA	
C5604	2203-006361	C-CER,CHIP;10000nF,10%,10V,X5R,TP,2	1	SA		HS3	AH62-00204A	HEAT SINK;HT-Z320,A6063S-T5,15,11,S	1	SA	
C5605	2203-005171	C-CER,CHIP;1000nF,10%,16V,X7R,2012	1	SA		IC01	1203-004788	IC-PWM CONTROLLER;ICE2QS01,DIP,8P,9	1	SA	
CA03	2401-000970	C-AL;22uF,20%,50V,WT,TP,5x11.5	1	SA		IC1201	1203-004520	IC-DC/DC CONVERTER;AP1501,TO-220(R)	1	SA	
CA04	2401-000360	C-AL;100uF,20%,50V,GP,TP,8x11.5,5	1	SA		IC5601	1203-005188	IC-DC/DC CONVERTER;AOZ1021AIL,SOP,8	1	SA	
CA1201	2401-003139	C-AL;1000uF,20%,25V,WT,TP,10*20,5mm	1	SA		ICFB01	1203-000187	IC-POS,ADJUST REG.;431,TO-92,3P,-,	1	SA	
CA1202	2401-001364	C-AL;470uF,20%,16V,GP,TP,10x12.5,5	1	SA		L01	3301-000297	BEAD-AXIAL;25ohm,3.6x1.2x5.7mm,-,TP	1	SA	
CA220	2401-004591	C-AL;390uF,20%,450V,GP,BK,30x40mm,1	1	SA		L1201	AH27-00062A	COIL FILTER;HXD77,22.8uH,55mOHM,19.	1	SA	
CA3501	2401-003850	C-AL;1000UF,20%,50V,WT,TP,12.5 X 25	1	SA		L1202	AC27-12001N	COIL CHOKE;RA,K-30,Q80,150KHZ,150KH	1	SA	
CA3502	2401-003850	C-AL;1000UF,20%,50V,WT,TP,12.5 X 25	1	SA		L3501	AC27-12001N	COIL CHOKE;RA,K-30,Q80,150KHZ,150KH	1	SA	
CA3503	2401-003850	C-AL;1000UF,20%,50V,WT,TP,12.5 X 25	1	SA		L3502	AH27-00068A	COIL CHOKE;BARX20,2.9UH,HT-Z320,2.	1	SA	
CA3504	2401-003850	C-AL;1000UF,20%,50V,WT,TP,12.5 X 25	1	SA		L5601	AH27-00055A	COIL CHOKE;DBF-1310A,HT-DS600,10uH,	1	SA	
CA3505	2401-003850	C-AL;1000UF,20%,50V,WT,TP,12.5 X 25	1	SA		L5602	3301-000297	BEAD-AXIAL;25ohm,3.6x1.2x5.7mm,-,TP	1	SA	
CA3506	2401-003850	C-AL;1000UF,20%,50V,WT,TP,12.5 X 25	1	SA		LF1	AH29-00016B	FILTER LINE;HT-Z320,TR16 4.0mH,0.08	1	SA	
CA5601	2401-003139	C-AL;1000uF,20%,25V,WT,TP,10*20,5mm	1	SA		LF2	AH29-00016B	FILTER LINE;HT-Z320,TR16 4.0mH,0.08	1	SA	
CA5602	2401-003480	C-AL;1000UF,20%,10V,LZ,TP,10X16MM,5	1	SA		M01	0505-001981	FET-SILICON;SPA11N80C3,N,800V,11A,0	1	SA	
CA5603	2401-001355	C-AL;470uF,20%,10V,GP,TP,8x11.5mm,5	1	SA		NTC1	1404-001195	THERMISTOR-NTC;5.1ohm,3.84A,3000K,2	1	SA	
CAD01	2401-000048	C-AL;47uF,20%,25V,GP,TP,5x11.5	1	SA		OC1	0604-000117	PHOTO-COUPLER,TR,130-260%,200mW,DIP	1	SA	
CAD02	2401-000048	C-AL;47uF,20%,25V,GP,TP,5x11.5	1	SA		PCB_SMPS	AH41-01204B	PCB-SMPS;HT-Z320,CEM-1,1,00,T1.6,19	1	SNA	
CAD03	2401-000970	C-AL;22uF,20%,50V,WT,TP,5x11.5	1	SA		Q01	0501-000341	TR-SMALL SIGNAL;KSC1623-L,NPN,200mW	1	SA	
CAD04	2401-000042	C-AL;100uF,20%,16V,GP,TP,6.3x7.5	1	SA		Q02	0501-000341	TR-SMALL SIGNAL;KSC1623-L,NPN,200mW	1	SA	
CAFB01	2401-000651	C-AL;2.2uF,20%,50V,GP,TP,4x7.5	1	SA		QD01	0501-000010	TR-SMALL SIGNAL;KSC1008,NPN,800mW,T	1	SA	
CD01	2203-000189	C-CER,CHIP;100nF,+80-20%,25V,Y5V,16	1	SA		QD02	0501-000010	TR-SMALL SIGNAL;KSC1008,NPN,800mW,T	1	SA	
CD02	2203-000440	C-CER,CHIP;1nF,10%,50V,X7R,1608	1	SA		QRC01	0504-000128	TR-DIGITAL;-NPN,200MW,22K/22K,SOT-	1	SA	
CD03	2203-000440	C-CER,CHIP;1nF,10%,50V,X7R,1608	1	SA		QRFB01	0504-000152	TR-DIGITAL;KSR2101,PNP,200mW,4.7K/4	1	SA	
CFB01	2301-000412	C-FILM,LEAD-PEF;22nF,10%,50V,TP,8x1	1	SA		R01	2002-001115	R-COMPOSITION;1.5Mohm,5%,1/2W,AA,TP	1	SA	
CFB02	2203-000815	C-CER,CHIP;0.033nF,5%,50V,C0G,1608	1	SA		R02	2007-000134	R-CHIP;33Kohm,5%,1/10W,TP,1608	1	SA	
CFB03	2203-005249	C-CER,CHIP;100nF,10%,50V,X7R,TP,160	1	SA		R03	2003-000994	R-METAL OXIDE(S);33Kohm,5%,2W,AF,TP	1	SA	
CON1	3711-000203	HEADER-BOARD TO CABLE;1WALL,2P/3P,1	1	SA		R04	2003-000994	R-METAL OXIDE(S);33Kohm,5%,2W,AF,TP	1	SA	
CON2	3711-000631	HEADER-BOARD TO CABLE;BOX,11P,1R,2.	1	SA		R05	2001-000522	R-CARBON;22Kohm,5%,1/8W,AA,TP,1.8x3	1	SA	
CON3	AH39-01031A	HARNESS POWER;HT-Z320,13,60,B/W,A20	1	SA		R06	2007-000084	R-CHIP;4.7Kohm,5%,1/10W,TP,1608	1	SA	
CX1	2301-001511	C-FILM,LEAD-PEF;330NF,10%,275V,BK,1	1	SA		R07	2007-000883	R-CHIP;4.7ohm,5%,1/4W,TP,3216	1	SA	
CX2	2301-001511	C-FILM,LEAD-PEF;330NF,10%,275V,BK,1	1	SA		R08	2007-000883	R-CHIP;4.7ohm,5%,1/4W,TP,3216	1	SA	
CX3	2301-001220	C-FILM,LEAD-PPF;100nF,10%,275V,BK,1	1	SA		R09	2007-000575	R-CHIP;220ohm,5%,1/4W,TP,3216	1	SA	
CY1	2201-000963	C-CERAMIC,DISC;1nF,20%,400V,Y5U,TP,	1	SA		R10	2007-000092	R-CHIP;15Kohm,5%,1/10W,TP,1608	1	SA	
CY2	2201-000963	C-CERAMIC,DISC;1nF,20%,400V,Y5U,TP,	1	SA		R11	2007-000075	R-CHIP;220ohm,5%,1/10W,TP,1608	1	SA	
CY3	2201-002213	C-CERAMIC,DISC;47nF,10%,400V,Y5P,-	1	SA		R1201	2007-000455	R-CHIP;18Kohm,1%,1/10W,TP,1608	1	SA	
CY4	2201-000963	C-CERAMIC,DISC;1nF,20%,400V,Y5U,TP,	1	SA		R1202	2007-008661	R-CHIP;2.1Kohm,1%,1/10W,TP,1608	1	SA	
D01	0401-001099	DIODE-SWITCHING;1N4148WS,75V,150mA,	1	SA		R13	2003-002456	R-METAL OXIDE;0.18ohm,5%,2W,AF,TP,3	1	SA	
D02	0401-001099	DIODE-SWITCHING;1N4148WS,75V,150mA,	1	SA		R14	2003-002456	R-METAL OXIDE;0.18ohm,5%,2W,AF,TP,3	1	SA	
D03	0402-000012	DIODE-RECTIFIER;UF4007,1000V,1A,DO-	1	SA		R15	2007-000082	R-CHIP;3.3Kohm,5%,1/10W,TP,1608	1	SA	
D04	0402-000012	DIODE-RECTIFIER;UF4007,1000V,1A,DO-	1	SA		R16	2007-000084	R-CHIP;4.7Kohm,5%,1/10W,TP,1608	1	SA	
D05	0402-000511	DIODE-SCHOTTKY;SS14,40V,1000MA,DO-2	1	SA							



Exploded View & Part List

Loc. No.	Part No.	Description;Specification	Q'ty	SNA	Remark	Loc. No.	Part No.	Description;Specification	Q'ty	SNA	Remark
C12RL	2203-000257	C-CER,CHIP;10nF,10%,50V,X7R,TP,1608	1	SA		C2FL	2203-002793	C-CER,CHIP;1000nF,+80-20%,25V,Y5V,2	1	SA	
C12RR	2203-001634	C-CER,CHIP;33nF,10%,50V,X7R,1608	1	SA		C2FR	2203-002793	C-CER,CHIP;1000nF,+80-20%,25V,Y5V,2	1	SA	
C12SW	2203-000257	C-CER,CHIP;10nF,10%,50V,X7R,TP,1608	1	SA		C2RL	2203-002793	C-CER,CHIP;1000nF,+80-20%,25V,Y5V,2	1	SA	
C13C	2203-000787	C-CER,CHIP;0.33NF,5%,50V,C0G,TP,201	1	SA		C2SW	2203-002793	C-CER,CHIP;1000nF,+80-20%,25V,Y5V,2	1	SA	
C13FL	2203-000787	C-CER,CHIP;0.33NF,5%,50V,C0G,TP,201	1	SA		C3	2203-005249	C-CER,CHIP;100nF,10%,50V,X7R,TP,160	1	SA	
C13RL	2203-000787	C-CER,CHIP;0.33NF,5%,50V,C0G,TP,201	1	SA		C30RR	2401-004106	C-AL;680uF,20%,50V,-,BK,12.5 x 35,5	1	SA	
C13SW	2203-000787	C-CER,CHIP;0.33NF,5%,50V,C0G,TP,201	1	SA		C31FR	2203-001634	C-CER,CHIP;33nF,10%,50V,X7R,1608	1	SA	
C14C	2203-000787	C-CER,CHIP;0.33NF,5%,50V,C0G,TP,201	1	SA		C31RR	2203-005249	C-CER,CHIP;100nF,10%,50V,X7R,TP,160	1	SA	
C14FL	2203-000787	C-CER,CHIP;0.33NF,5%,50V,C0G,TP,201	1	SA		C32RR	2203-005249	C-CER,CHIP;100nF,10%,50V,X7R,TP,160	1	SA	
C14RL	2203-000787	C-CER,CHIP;0.33NF,5%,50V,C0G,TP,201	1	SA		C33RR	2203-000257	C-CER,CHIP;10nF,10%,50V,X7R,TP,1608	1	SA	
C14SW	2203-000787	C-CER,CHIP;0.33NF,5%,50V,C0G,TP,201	1	SA		C34RR	2203-000257	C-CER,CHIP;10nF,10%,50V,X7R,TP,1608	1	SA	
C15C	2203-005249	C-CER,CHIP;100nF,10%,50V,X7R,TP,160	1	SA		C35FR	2305-000407	C-FILM,LEAD-PEF;470nF,5%,100V,TP,10	1	SA	
C15FL	2203-005249	C-CER,CHIP;100nF,10%,50V,X7R,TP,160	1	SA		C37RR	2305-000407	C-FILM,LEAD-PEF;470nF,5%,100V,TP,10	1	SA	
C15FR	2203-005249	C-CER,CHIP;100nF,10%,50V,X7R,TP,160	1	SA		C3C	2203-005249	C-CER,CHIP;100nF,10%,50V,X7R,TP,160	1	SA	
C15RL	2203-005249	C-CER,CHIP;100nF,10%,50V,X7R,TP,160	1	SA		C3FL	2203-005249	C-CER,CHIP;100nF,10%,50V,X7R,TP,160	1	SA	
C15SW	2203-005249	C-CER,CHIP;100nF,10%,50V,X7R,TP,160	1	SA		C4	2203-006333	C-CER,CHIP;1000nF,20%,16V,X5R,TP,3	1	SA	
C16C	2203-000257	C-CER,CHIP;10nF,10%,50V,X7R,TP,1608	1	SA		C40FR	2203-005249	C-CER,CHIP;100nF,10%,50V,X7R,TP,160	1	SA	
C16FL	2203-000257	C-CER,CHIP;10nF,10%,50V,X7R,TP,1608	1	SA		C41FR	2203-005249	C-CER,CHIP;100nF,10%,50V,X7R,TP,160	1	SA	
C16FR	2203-000257	C-CER,CHIP;10nF,10%,50V,X7R,TP,1608	1	SA		C42FR	2203-005249	C-CER,CHIP;100nF,10%,50V,X7R,TP,160	1	SA	
C16RL	2203-000257	C-CER,CHIP;10nF,10%,50V,X7R,TP,1608	1	SA		C43FR	2203-005249	C-CER,CHIP;100nF,10%,50V,X7R,TP,160	1	SA	
C16SW	2203-000257	C-CER,CHIP;10nF,10%,50V,X7R,TP,1608	1	SA		C44FR	2203-005249	C-CER,CHIP;100nF,10%,50V,X7R,TP,160	1	SA	
C17C	2203-005249	C-CER,CHIP;100nF,10%,50V,X7R,TP,160	1	SA		C45FR	2203-005249	C-CER,CHIP;100nF,10%,50V,X7R,TP,160	1	SA	
C17FL	2203-005249	C-CER,CHIP;100nF,10%,50V,X7R,TP,160	1	SA		C4FR	2203-005249	C-CER,CHIP;100nF,10%,50V,X7R,TP,160	1	SA	
C17FR	2203-005249	C-CER,CHIP;100nF,10%,50V,X7R,TP,160	1	SA		C4RL	2203-005249	C-CER,CHIP;100nF,10%,50V,X7R,TP,160	1	SA	
C17RL	2203-005249	C-CER,CHIP;100nF,10%,50V,X7R,TP,160	1	SA		C4SW	2203-005249	C-CER,CHIP;100nF,10%,50V,X7R,TP,160	1	SA	
C17SW	2203-005249	C-CER,CHIP;100nF,10%,50V,X7R,TP,160	1	SA		C5C	2203-001634	C-CER,CHIP;33nF,10%,50V,X7R,1608	1	SA	
C18C	2203-001634	C-CER,CHIP;33nF,10%,50V,X7R,1608	1	SA		C5FL	2203-001634	C-CER,CHIP;33nF,10%,50V,X7R,1608	1	SA	
C18FL	2203-001634	C-CER,CHIP;33nF,10%,50V,X7R,1608	1	SA		C5RL	2203-001634	C-CER,CHIP;33nF,10%,50V,X7R,1608	1	SA	
C18FR	2203-005249	C-CER,CHIP;100nF,10%,50V,X7R,TP,160	1	SA		C5RR	2203-005249	C-CER,CHIP;100nF,10%,50V,X7R,TP,160	1	SA	
C18RL	2203-001634	C-CER,CHIP;33nF,10%,50V,X7R,1608	1	SA		C5SW	2203-001634	C-CER,CHIP;33nF,10%,50V,X7R,1608	1	SA	
C18SW	2203-001634	C-CER,CHIP;33nF,10%,50V,X7R,1608	1	SA		C6RL	2203-005249	C-CER,CHIP;100nF,10%,50V,X7R,TP,160	1	SA	
C19C	2203-002793	C-CER,CHIP;1000nF,+80-20%,25V,Y5V,2	1	SA		C6RR	2203-002793	C-CER,CHIP;1000nF,+80-20%,25V,Y5V,2	1	SA	
C19FL	2203-002793	C-CER,CHIP;1000nF,+80-20%,25V,Y5V,2	1	SA		C6SW	2203-005249	C-CER,CHIP;100nF,10%,50V,X7R,TP,160	1	SA	
C19RL	2203-002793	C-CER,CHIP;1000nF,+80-20%,25V,Y5V,2	1	SA		C7C	2203-005774	C-CER,CHIP;1000nF,+80-20%,50V,Y5V,2	1	SA	
C19RR	2203-005249	C-CER,CHIP;100nF,10%,50V,X7R,TP,160	1	SA		C7FL	2203-005774	C-CER,CHIP;1000nF,+80-20%,50V,Y5V,2	1	SA	
C19SW	2203-002793	C-CER,CHIP;1000nF,+80-20%,25V,Y5V,2	1	SA		C7RL	2203-005774	C-CER,CHIP;1000nF,+80-20%,50V,Y5V,2	1	SA	
C1FR	2203-000236	C-CER,CHIP;0.1nF,5%,50V,C0G,1608	1	SA		C7RR	2203-006336	C-CER,CHIP;1000nF,10%,25V,X5R,3216	1	SA	
C1RL	2203-000236	C-CER,CHIP;0.1nF,5%,50V,C0G,1608	1	SA		C7SW	2203-005774	C-CER,CHIP;1000nF,+80-20%,50V,Y5V,2	1	SA	
C1SW	2203-000236	C-CER,CHIP;0.1nF,5%,50V,C0G,1608	1	SA		C8RL	2401-004106	C-AL;680uF,20%,50V,-,BK,12.5 x 35,5	1	SA	
C20C	2203-005249	C-CER,CHIP;100nF,10%,50V,X7R,TP,160	1	SA		C8RR	2203-002793	C-CER,CHIP;1000nF,+80-20%,25V,Y5V,2	1	SA	
C20FL	2203-005249	C-CER,CHIP;100nF,10%,50V,X7R,TP,160	1	SA		C8YL	2401-004106	C-AL;680uF,20%,50V,-,BK,12.5 x 35,5	1	SA	
C20RR	2203-005249	C-CER,CHIP;100nF,10%,50V,X7R,TP,160	1	SA		C9FR	2203-001634	C-CER,CHIP;33nF,10%,50V,X7R,1608	1	SA	
C21FR	2203-000787	C-CER,CHIP;0.33NF,5%,50V,C0G,TP,201	1	SA		CB02	3301-001495	BEAD-SMD;120ohm,2012,2500mA,TP,115o	1	SA	
C22FR	2203-000787	C-CER,CHIP;0.33NF,5%,50V,C0G,TP,201	1	SA		CBT1	2203-005148	C-CER,CHIP;100nF,10%,16V,X7R,TP,160	1	SA	
C23	2203-005249	C-CER,CHIP;100nF,10%,50V,X7R,TP,160	1	SA		CC09	2401-001508	C-AL;47uF,20%,16V,GP,TP,6.3x5,5	1	SA	
C23RR	2203-000787	C-CER,CHIP;0.33NF,5%,50V,C0G,TP,201	1	SA		CC10	2203-005249	C-CER,CHIP;100nF,10%,50V,X7R,TP,160	1	SA	
C23SW	2203-002793	C-CER,CHIP;1000nF,+80-20%,25V,Y5V,2	1	SA		CC11	2007-000092	R-CHIP;15Kohm,5%,1/10W,TP,1608	1	SA	
C24	2203-005249	C-CER,CHIP;100nF,10%,50V,X7R,TP,160	1	SA		CC12	2007-000092	R-CHIP;15Kohm,5%,1/10W,TP,1608	1	SA	
C24C	2203-006336	C-CER,CHIP;10000nF,10%,25V,X5R,3216	1	SA		CC13	2203-000280	C-CER,CHIP;0.01nF,0.5pF,50V,C0G,160	1	SA	
C24FL	2203-006336	C-CER,CHIP;10000nF,10%,25V,X5R,3216	1	SA		CC14	2203-000280	C-CER,CHIP;0.01nF,0.5pF,50V,C0G,160	1	SA	
C24RR	2203-000787	C-CER,CHIP;0.33NF,5%,50V,C0G,TP,201	1	SA		CEC1	2203-005148	C-CER,CHIP;100nF,10%,16V,X7R,TP,160	1	SA	
C25	2203-005249	C-CER,CHIP;100nF,10%,50V,X7R,TP,160	1	SA		CEC43	2203-006361	C-CER,CHIP;10000nF,10%,10V,X5R,TP,2	1	SA	
C25FR	2203-000257	C-CER,CHIP;10nF,10%,50V,X7R,TP,1608	1	SA		CEC44	2203-005148	C-CER,CHIP;100nF,10%,16V,X7R,TP,160	1	SA	
C26	2203-005249	C-CER,CHIP;100nF,10%,50V,X7R,TP,160	1	SA		CEC46	2203-006361	C-CER,CHIP;10000nF,10%,10V,X5R,TP,2	1	SA	
C26FR	2203-005774	C-CER,CHIP;1000nF,+80-20%,50V,Y5V,2	1	SA		CEC47	2203-005148	C-CER,CHIP;100nF,10%,16V,X7R,TP,160	1	SA	
C27RR	2203-000257	C-CER,CHIP;10nF,10%,50V,X7R,TP,1608	1	SA		CECX1	2802-001179	RESONATOR-CERAMIC;4MHZ,0.5%,BK,8X3X	1	SA	
C28RR	2203-005774	C-CER,CHIP;1000nF,+80-20%,50V,Y5V,2	1	SA		CED1	0404-001089	DIODE-SCHOTTKY;RB551V-30,20V,500MA,	1	SA	
C2C	2203-002793	C-CER,CHIP;1000nF,+80-20%,25V,Y5V,2	1	SA		CEIC1	AK09-00159A	IC MICOM;MC80C0316-MC015 D32,44,2.7	1	SA	
						CEIC2	1103-001333	IC-EEPROM;24C08A,8Kbit,1Kx8,SOP,8P,	1	SA	



Loc. No.	Part No.	Description;Specification	Q'ty	SNA	Remark	Loc. No.	Part No.	Description;Specification	Q'ty	SNA	Remark
CEIC3	1203-002425	IC-POSI.FIXED REG.;1117,SOT-223,3P,	1	SA		DDCR11	2007-000052	R-CHIP;10Kohm,1%,1/10W,TP,1608	1	SA	
CEIC4	0505-001679	FET-SILICON;FDC6301N,N,25V,0.22A,50	1	SA		DDCR12	2007-000293	R-CHIP;100ohm,5%,1/4W,TP,3216	1	SA	
CER1	3301-001495	BEAD-SMD;120ohm,2012,2500mA,TP,115o	1	SA		DDCR2	2007-000097	R-CHIP;47Kohm,5%,1/10W,TP,1608	1	SA	
CER10	2007-000084	R-CHIP;4.7Kohm,5%,1/10W,TP,1608	1	SA		DDCR3	2007-000090	R-CHIP;10Kohm,5%,1/10W,TP,1608	1	SA	
CER11	2007-000090	R-CHIP;10Kohm,5%,1/10W,TP,1608	1	SA		DDCR4	2007-000090	R-CHIP;10Kohm,5%,1/10W,TP,1608	1	SA	
CER13	2007-000090	R-CHIP;10Kohm,5%,1/10W,TP,1608	1	SA		DDCR5	2007-000084	R-CHIP;4.7Kohm,5%,1/10W,TP,1608	1	SA	
CER15	2007-000090	R-CHIP;10Kohm,5%,1/10W,TP,1608	1	SA		DDCR6	2007-000070	R-CHIP;0ohm,5%,1/10W,TP,1608	1	SA	
CER16	2007-000090	R-CHIP;10Kohm,5%,1/10W,TP,1608	1	SA		DDCR7	2007-000090	R-CHIP;10Kohm,5%,1/10W,TP,1608	1	SA	
CER17	2007-000090	R-CHIP;10Kohm,5%,1/10W,TP,1608	1	SA		DDCR8	2007-000066	R-CHIP;20Kohm,1%,1/10W,TP,1608	1	SA	
CER18	2007-000074	R-CHIP;100ohm,5%,1/10W,TP,1608	1	SA		DDCR9	2007-000651	R-CHIP;27Kohm,1%,1/10W,TP,1608	1	SA	
CER19	2007-000074	R-CHIP;100ohm,5%,1/10W,TP,1608	1	SA		DIC1	2203-005148	C-CER,CHIP;100nF,10%,16V,X7R,TP,160	1	SA	
CER2	2007-000070	R-CHIP;0ohm,5%,1/10W,TP,1608	1	SA		DIIC1	1103-001333	IC-EEPROM;24C08A,8Kbit,1Kx8,SOP,8P,	1	SA	
CER21	2007-000074	R-CHIP;100ohm,5%,1/10W,TP,1608	1	SA		DIR6	2007-000078	R-CHIP;1Kohm,5%,1/10W,TP,1608	1	SA	
CER22	2007-000070	R-CHIP;0ohm,5%,1/10W,TP,1608	1	SA		DIR7	2007-000078	R-CHIP;1Kohm,5%,1/10W,TP,1608	1	SA	
CER28	2007-000090	R-CHIP;10Kohm,5%,1/10W,TP,1608	1	SA		EBD1	0401-001090	DIODE-SWITCHING;1SS355,80V,100MA,SO	1	SA	
CER3	2007-000071	R-CHIP;22ohm,5%,1/10W,TP,1608	1	SA		EBD16	3301-001495	BEAD-SMD;120ohm,2012,2500mA,TP,115o	1	SA	
CER30	2007-000090	R-CHIP;10Kohm,5%,1/10W,TP,1608	1	SA		EBD2	3301-001495	BEAD-SMD;120ohm,2012,2500mA,TP,115o	1	SA	
CER33	2007-000109	R-CHIP;1Mohm,5%,1/10W,TP,1608	1	SA		EBD3	3301-001495	BEAD-SMD;120ohm,2012,2500mA,TP,115o	1	SA	
CER34	2007-000074	R-CHIP;100ohm,5%,1/10W,TP,1608	1	SA		EBD4	3301-001495	BEAD-SMD;120ohm,2012,2500mA,TP,115o	1	SA	
CER35	2007-000090	R-CHIP;10Kohm,5%,1/10W,TP,1608	1	SA		EL3	3301-001069	BEAD-SMD;120ohm,1.6x0.8x0.8mm,200mA	1	SA	
CER36	2007-000090	R-CHIP;10Kohm,5%,1/10W,TP,1608	1	SA		EL4	3301-001069	BEAD-SMD;120ohm,1.6x0.8x0.8mm,200mA	1	SA	
CER39	2007-000090	R-CHIP;10Kohm,5%,1/10W,TP,1608	1	SA		EMC10	2203-005249	C-CER,CHIP;100nF,10%,50V,X7R,TP,160	1	SA	
CER4	2007-002425	R-CHIP;1ohm,5%,1/10W,TP,1608	1	SA		EMC11	2203-005249	C-CER,CHIP;100nF,10%,50V,X7R,TP,160	1	SA	
CER5	2007-000129	R-CHIP;27Kohm,5%,1/10W,TP,1608	1	SA		EMC12	2203-005249	C-CER,CHIP;100nF,10%,50V,X7R,TP,160	1	SA	
CER52	2007-000074	R-CHIP;100ohm,5%,1/10W,TP,1608	1	SA		EMC13	2203-005249	C-CER,CHIP;100nF,10%,50V,X7R,TP,160	1	SA	
CER54	2007-000090	R-CHIP;10Kohm,5%,1/10W,TP,1608	1	SA		EMC14	2203-005249	C-CER,CHIP;100nF,10%,50V,X7R,TP,160	1	SA	
CER55	2007-000084	R-CHIP;4.7Kohm,5%,1/10W,TP,1608	1	SA		EMC17	2203-000257	C-CER,CHIP;10nF,10%,50V,X7R,TP,1608	1	SA	
CER6	2007-000071	R-CHIP;22ohm,5%,1/10W,TP,1608	1	SA		EMC19	2203-000257	C-CER,CHIP;10nF,10%,50V,X7R,TP,1608	1	SA	
CER64	2007-000070	R-CHIP;0ohm,5%,1/10W,TP,1608	1	SA		EMC20	2203-000257	C-CER,CHIP;10nF,10%,50V,X7R,TP,1608	1	SA	
CER7	3301-001495	BEAD-SMD;120ohm,2012,2500mA,TP,115o	1	SA		EMC21	2203-005249	C-CER,CHIP;100nF,10%,50V,X7R,TP,160	1	SA	
CER8	2007-000084	R-CHIP;4.7Kohm,5%,1/10W,TP,1608	1	SA		EMC22	2203-005249	C-CER,CHIP;100nF,10%,50V,X7R,TP,160	1	SA	
CER9	2007-000084	R-CHIP;4.7Kohm,5%,1/10W,TP,1608	1	SA		EMC5	2203-005249	C-CER,CHIP;100nF,10%,50V,X7R,TP,160	1	SA	
CN11	3708-002403	CONNECTOR-FPC/FFC/PIC;23P,1mm,SMD-S	1	SA		EMC6	2203-005249	C-CER,CHIP;100nF,10%,50V,X7R,TP,160	1	SA	
CN12	3708-001616	CONNECTOR-FPC/FFC/PIC;9P,1mm,STRAIG	1	SA		EMC7	2203-005249	C-CER,CHIP;100nF,10%,50V,X7R,TP,160	1	SA	
CR17	2007-000552	R-CHIP;20ohm,5%,1/10W,TP,1608	1	SA		EMC8	2203-005249	C-CER,CHIP;100nF,10%,50V,X7R,TP,160	1	SA	
CR18	2007-000552	R-CHIP;20ohm,5%,1/10W,TP,1608	1	SA		EMC9	2203-005249	C-CER,CHIP;100nF,10%,50V,X7R,TP,160	1	SA	
CR30	2007-000090	R-CHIP;10Kohm,5%,1/10W,TP,1608	1	SA		EMCB1	3301-001495	BEAD-SMD;120ohm,2012,2500mA,TP,115o	1	SA	
DDC1	1203-005188	IC-DC/DC CONVERTER;AOZ1021AIL,SOP,8	1	SA		EMCB2	3301-001495	BEAD-SMD;120ohm,2012,2500mA,TP,115o	1	SA	
DDCC1	2203-005065	C-CER,CHIP;1000nF,+80-20%,10V,Y5V,1	1	SA		EMCB3	3301-001495	BEAD-SMD;120ohm,2012,2500mA,TP,115o	1	SA	
DDCC10	2203-005148	C-CER,CHIP;100nF,10%,16V,X7R,TP,160	1	SA		EMCB4	3301-001495	BEAD-SMD;120ohm,2012,2500mA,TP,115o	1	SA	
DDCC11	2203-006361	C-CER,CHIP;10000nF,10%,10V,X5R,TP,2	1	SA		EMCB5	3301-001495	BEAD-SMD;120ohm,2012,2500mA,TP,115o	1	SA	
DDCC12	2203-006336	C-CER,CHIP;10000nF,10%,25V,X5R,3216	1	SA		EMCB6	3301-001495	BEAD-SMD;120ohm,2012,2500mA,TP,115o	1	SA	
DDCC13	2203-000189	C-CER,CHIP;100nF,+80-20%,25V,Y5V,16	1	SA		EMCB7	3301-001495	BEAD-SMD;120ohm,2012,2500mA,TP,115o	1	SA	
DDCC14	2401-001364	C-AL;470uF,20%,16V,GP,TP,10x12.5,5	1	SA		EMCB8	3301-001495	BEAD-SMD;120ohm,2012,2500mA,TP,115o	1	SA	
DDCC2	2203-005148	C-CER,CHIP;100nF,10%,16V,X7R,TP,160	1	SA		EMCC	2203-000257	C-CER,CHIP;10nF,10%,50V,X7R,TP,1608	1	SA	
DDCC3	2401-000038	C-AL;470uF,20%,25V,GP,TP,10x12.5mm,	1	SA		EMR1	2007-000070	R-CHIP;0ohm,5%,1/10W,TP,1608	1	SA	
DDCC4	2203-006336	C-CER,CHIP;10000nF,10%,25V,X5R,3216	1	SA		EMR2	2007-000070	R-CHIP;0ohm,5%,1/10W,TP,1608	1	SA	
DDCC5	2203-000440	C-CER,CHIP;1nF,10%,50V,X7R,1608	1	SA		EMR3	2007-000694	R-CHIP;3.3ohm,5%,1/8W,TP,2012	1	SA	
DDCC6	2203-000440	C-CER,CHIP;1nF,10%,50V,X7R,1608	1	SA		EMR4	2007-000694	R-CHIP;3.3ohm,5%,1/8W,TP,2012	1	SA	
DDCC7	2203-000189	C-CER,CHIP;100nF,+80-20%,25V,Y5V,16	1	SA		EMR5	2007-000694	R-CHIP;3.3ohm,5%,1/8W,TP,2012	1	SA	
DDCC8	2203-006361	C-CER,CHIP;10000nF,10%,10V,X5R,TP,2	1	SA		EMR6	2007-000694	R-CHIP;3.3ohm,5%,1/8W,TP,2012	1	SA	
DDCC9	2203-006361	C-CER,CHIP;10000nF,10%,10V,X5R,TP,2	1	SA		ESD3	0406-001128	DIODE-TVS;MLVS-0603-E08,50V	1	SA	
DDCD1	0404-001036	DIODE-SCHOTTKY;SDB30A40,40V,3000MA,	1	SA		ESS_H/S	AH62-00062L	HEAT SINK;HT-Z320,AL EXTR	1	SA	
DDCL1	2703-003408	INDUCTOR-SMD;10uH,20%,7070	1	SA		FC2	2203-001596	C-CER,CHIP;2200nF,+80-20%,50V,Y5V,2	1	SA	
DDCL2	2703-003362	INDUCTOR-SMD;4.7uH,20%,7070	1	SA		FC3	2203-001596	C-CER,CHIP;2200nF,+80-20%,50V,Y5V,2	1	SA	
DDCQ1	0501-002184	TR-SMALL SIGNAL;KTD1304,NPN,200mW,S	1	SA		FC4	2203-001596	C-CER,CHIP;2200nF,+80-20%,50V,Y5V,2	1	SA	
DDCR1	2007-000090	R-CHIP;10Kohm,5%,1/10W,TP,1608	1	SA		FC5	2203-001596	C-CER,CHIP;2200nF,+80-20%,50V,Y5V,2	1	SA	
DDCR10	2007-000869	R-CHIP;4.7Kohm,1%,1/10W,TP,1608	1	SA		FC6	2203-001596	C-CER,CHIP;2200nF,+80-20%,50V,Y5V,2	1	SA	

Exploded View & Part List

Loc. No.	Part No.	Description;Specification	Q'ty	SNA	Remark	Loc. No.	Part No.	Description;Specification	Q'ty	SNA	Remark
FD1	0401-001090	DIODE-SWITCHING;1SS355,80V,100MA,SO	1	SA		HC36	2203-001086	C-CER,CHIP;0.0050nF,0.25pF,50V,NP0,	1	SA	
FD2	0401-001090	DIODE-SWITCHING;1SS355,80V,100MA,SO	1	SA							
FJ1	3711-000820	HEADER-BOARD TO CABLE;BOX,2P,1R,2.5	1	SA		HC37	2203-005148	C-CER,CHIP;100nF,10%,16V,X7R,TP,160	1	SA	
FQ01	0504-000156	TR-DIGITAL;KSR2103,PNP,200MW,22K/22	1	SA		HC4	2203-006361	C-CER,CHIP;10000nF,10%,10V,X5R,TP,2	1	SA	
FQ1	0501-000422	TR-SMALL SIGNAL;KTA1273,PNP,-30V,-3	1	SA		HC5	2203-006361	C-CER,CHIP;10000nF,10%,10V,X5R,TP,2	1	SA	
						HC6	2203-006361	C-CER,CHIP;10000nF,10%,10V,X5R,TP,2	1	SA	
FQ2	0501-000341	TR-SMALL SIGNAL;KSC1623-L,NPN,200mW	1	SA		HC80	2203-005148	C-CER,CHIP;100nF,10%,16V,X7R,TP,160	1	SA	
FQ3	0501-000422	TR-SMALL SIGNAL;KTA1273,PNP,-30V,-3	1	SA							
FQ4	0504-000128	TR-DIGITAL;-NPN,200MW,22K/22K,SOT-	1	SA		HC81	2203-006361	C-CER,CHIP;10000nF,10%,10V,X5R,TP,2	1	SA	
FR1	2007-009283	R-CHIP;27ohm,5%,1/2W,TP,5025	1	SA		HC82	2203-006361	C-CER,CHIP;10000nF,10%,10V,X5R,TP,2	1	SA	
FR10	2007-000097	R-CHIP;47Kohm,5%,1/10W,TP,1608	1	SA		HD1	0402-000309	DIODE-RECTIFIER;1SR154-400,400V,1A,	1	SA	
						HDJ1	3701-001313	CONNECTOR-HDMI;19P,2R,PLUG,ANGLE,AU	1	SA	
FR11	2007-000097	R-CHIP;47Kohm,5%,1/10W,TP,1608	1	SA		HESD1	0406-001271	DIODE-TVS;RCLAMP0524P,6/-V,150W,S	1	SA	
FR12	2007-007065	R-CHIP;10ohm,5%,1W,TP,6432	1	SA							
FR13	2007-000090	R-CHIP;10Kohm,5%,1/10W,TP,1608	1	SA		HESD2	0406-001271	DIODE-TVS;RCLAMP0524P,6/-V,150W,S	1	SA	
FR14	2007-000078	R-CHIP;1Kohm,5%,1/10W,TP,1608	1	SA		HL01	3301-001495	BEAD-SMD;120ohm,2012,2500mA,TP,115o	1	SA	
FR15	2007-000082	R-CHIP;3.3Kohm,5%,1/10W,TP,1608	1	SA		HL02	3301-001495	BEAD-SMD;120ohm,2012,2500mA,TP,115o	1	SA	
						HL03	3301-001495	BEAD-SMD;120ohm,2012,2500mA,TP,115o	1	SA	
FR2	2007-000097	R-CHIP;47Kohm,5%,1/10W,TP,1608	1	SA		HL04	3301-001495	BEAD-SMD;120ohm,2012,2500mA,TP,115o	1	SA	
FR3	2007-001300	R-CHIP;56ohm,5%,1/2W,TP,5025	1	SA							
FR4	2007-000097	R-CHIP;47Kohm,5%,1/10W,TP,1608	1	SA		HL06	2007-000070	R-CHIP;0ohm,5%,1/10W,TP,1608	1	SA	
FR5	2007-000084	R-CHIP;4.7Kohm,5%,1/10W,TP,1608	1	SA		HL15	2007-000070	R-CHIP;0ohm,5%,1/10W,TP,1608	1	SA	
FR6	2007-000090	R-CHIP;10Kohm,5%,1/10W,TP,1608	1	SA		HL16	2007-000070	R-CHIP;0ohm,5%,1/10W,TP,1608	1	SA	
						HL17	2007-000070	R-CHIP;0ohm,5%,1/10W,TP,1608	1	SA	
FR7	2007-000134	R-CHIP;33Kohm,5%,1/10W,TP,1608	1	SA		HL18	3301-001069	BEAD-SMD;120ohm,1.6x0.8x0.8mm,200mA	1	SA	
FR8	2007-000097	R-CHIP;47Kohm,5%,1/10W,TP,1608	1	SA							
FR9	2007-000097	R-CHIP;47Kohm,5%,1/10W,TP,1608	1	SA		HL19	2007-000070	R-CHIP;0ohm,5%,1/10W,TP,1608	1	SA	
HIS_HOLDERAH61-02526A	HOLDER-IC;HT-Z210,ABS,T0.9,W150		1	SA		HL2	3301-001495	BEAD-SMD;120ohm,2012,2500mA,TP,115o	1	SA	
HC01	2203-006361	C-CER,CHIP;10000nF,10%,10V,X5R,TP,2	1	SA		HL20	2007-000070	R-CHIP;0ohm,5%,1/10W,TP,1608	1	SA	
						HL21	2007-000070	R-CHIP;0ohm,5%,1/10W,TP,1608	1	SA	
HC02	2203-006361	C-CER,CHIP;10000nF,10%,10V,X5R,TP,2	1	SA		HL22	2007-000070	R-CHIP;0ohm,5%,1/10W,TP,1608	1	SA	
HC03	2203-005148	C-CER,CHIP;100nF,10%,16V,X7R,TP,160	1	SA							
HC04	2203-005148	C-CER,CHIP;100nF,10%,16V,X7R,TP,160	1	SA		HL23	2007-000070	R-CHIP;0ohm,5%,1/10W,TP,1608	1	SA	
HC06	2203-005148	C-CER,CHIP;100nF,10%,16V,X7R,TP,160	1	SA		HL24	2007-000070	R-CHIP;0ohm,5%,1/10W,TP,1608	1	SA	
HC07	2203-005148	C-CER,CHIP;100nF,10%,16V,X7R,TP,160	1	SA		HL25	2007-000070	R-CHIP;0ohm,5%,1/10W,TP,1608	1	SA	
						HL26	2007-000070	R-CHIP;0ohm,5%,1/10W,TP,1608	1	SA	
HC08	2203-005148	C-CER,CHIP;100nF,10%,16V,X7R,TP,160	1	SA		HL27	2007-000070	R-CHIP;0ohm,5%,1/10W,TP,1608	1	SA	
HC09	2203-005065	C-CER,CHIP;1000nF,+80-20%,10V,Y5V,1	1	SA							
HC1	2203-006361	C-CER,CHIP;10000nF,10%,10V,X5R,TP,2	1	SA		HL28	2007-000070	R-CHIP;0ohm,5%,1/10W,TP,1608	1	SA	
HC10	2203-005065	C-CER,CHIP;1000nF,+80-20%,10V,Y5V,1	1	SA		HL29	2007-000070	R-CHIP;0ohm,5%,1/10W,TP,1608	1	SA	
HC11	2203-005148	C-CER,CHIP;100nF,10%,16V,X7R,TP,160	1	SA		HL30	2007-000070	R-CHIP;0ohm,5%,1/10W,TP,1608	1	SA	
						HPBD1	3301-001495	BEAD-SMD;120ohm,2012,2500mA,TP,115o	1	SA	
HC12	2203-005148	C-CER,CHIP;100nF,10%,16V,X7R,TP,160	1	SA		HPBD2	3301-001495	BEAD-SMD;120ohm,2012,2500mA,TP,115o	1	SA	
HC13	2203-005065	C-CER,CHIP;1000nF,+80-20%,10V,Y5V,1	1	SA							
HC14	2203-005065	C-CER,CHIP;1000nF,+80-20%,10V,Y5V,1	1	SA		HPC1	2203-005148	C-CER,CHIP;100nF,10%,16V,X7R,TP,160	1	SA	
HC15	2203-005148	C-CER,CHIP;100nF,10%,16V,X7R,TP,160	1	SA		HPR11	2007-000072	R-CHIP;47ohm,5%,1/10W,TP,1608	1	SA	
HC16	2203-006361	C-CER,CHIP;10000nF,10%,10V,X5R,TP,2	1	SA		HPR12	2007-000072	R-CHIP;47ohm,5%,1/10W,TP,1608	1	SA	
						HPR13	2007-000072	R-CHIP;47ohm,5%,1/10W,TP,1608	1	SA	
HC17	2203-005148	C-CER,CHIP;100nF,10%,16V,X7R,TP,160	1	SA		HPR14	2007-000072	R-CHIP;47ohm,5%,1/10W,TP,1608	1	SA	
HC18	2203-005148	C-CER,CHIP;100nF,10%,16V,X7R,TP,160	1	SA							
HC19	2203-005148	C-CER,CHIP;100nF,10%,16V,X7R,TP,160	1	SA		HQ01	0505-000110	FET-SILICON;2N7002,N.60V,115mA,7.5o	1	SA	
HC2	2203-006361	C-CER,CHIP;10000nF,10%,10V,X5R,TP,2	1	SA		HQ02	0505-000110	FET-SILICON;2N7002,N.60V,115mA,7.5o	1	SA	
HC20	2203-005065	C-CER,CHIP;1000nF,+80-20%,10V,Y5V,1	1	SA		HQ1	0504-000156	TR-DIGITAL;KSR2103,PNP,200MW,22K/22	1	SA	
						HQ2	0504-000128	TR-DIGITAL;-NPN,200MW,22K/22K,SOT-	1	SA	
HC21	2203-005148	C-CER,CHIP;100nF,10%,16V,X7R,TP,160	1	SA		HR1	2007-000084	R-CHIP;4.7Kohm,5%,1/10W,TP,1608	1	SA	
HC22	2203-005148	C-CER,CHIP;100nF,10%,16V,X7R,TP,160	1	SA							
HC23	2203-005148	C-CER,CHIP;100nF,10%,16V,X7R,TP,160	1	SA		HR2	2007-000078	R-CHIP;1Kohm,5%,1/10W,TP,1608	1	SA	
HC24	2203-006361	C-CER,CHIP;10000nF,10%,10V,X5R,TP,2	1	SA		HR27	2007-000070	R-CHIP;0ohm,5%,1/10W,TP,1608	1	SA	
HC25	2203-006361	C-CER,CHIP;10000nF,10%,10V,X5R,TP,2	1	SA		HR28	2007-000075	R-CHIP;220ohm,5%,1/10W,TP,1608	1	SA	
						HR29	2007-000075	R-CHIP;220ohm,5%,1/10W,TP,1608	1	SA	
HC26	2203-005148	C-CER,CHIP;100nF,10%,16V,X7R,TP,160	1	SA		HR30	2007-000070	R-CHIP;0ohm,5%,1/10W,TP,1608	1	SA	
HC27	2203-005148	C-CER,CHIP;100nF,10%,16V,X7R,TP,160	1	SA							
HC28	2203-006361	C-CER,CHIP;10000nF,10%,10V,X5R,TP,2	1	SA		HR31	2007-000070	R-CHIP;0ohm,5%,1/10W,TP,1608	1	SA	
HC3	2203-006361	C-CER,CHIP;10000nF,10%,10V,X5R,TP,2	1	SA		HR32	2007-000070	R-CHIP;0ohm,5%,1/10W,TP,1608	1	SA	
HC30	2203-005148	C-CER,CHIP;100nF,10%,16V,X7R,TP,160	1	SA		HR33	2007-000070	R-CHIP;0ohm,5%,1/10W,TP,1608	1	SA	
						HR331	2007-000084	R-CHIP;4.7Kohm,5%,1/10W,TP,1608	1	SA	
HC31	2203-005148	C-CER,CHIP;100nF,10%,16V,X7R,TP,160	1	SA		HR332	2007-000084	R-CHIP;4.7Kohm,5%,1/10W,TP,1608	1	SA	
HC32	2203-006361	C-CER,CHIP;10000nF,10%,10V,X5R,TP,2	1	SA							
HC33	2401-001092	C-AL;330uF,20%,10V,GP,-.8x11.5,2.5m	1	SA		HR333	2007-000084	R-CHIP;4.7Kohm,5%,1/10W,TP,1608	1	SA	
HC35	2203-005148	C-CER,CHIP;100nF,10%,16V,X7R,TP,160	1	SA		HR334	2007-000084	R-CHIP;4.7Kohm,5%,1/10W,TP,1608	1	SA	

Loc. No.	Part No.	Description;Specification	Q'ty	SNA	Remark	Loc. No.	Part No.	Description;Specification	Q'ty	SNA	Remark
HR34	2007-000070	R-CHIP;0ohm,5%,1/10W,TP,1608	1	SA		MBR04	2007-000074	R-CHIP;100ohm,5%,1/10W,TP,1608	1	SA	
HR39	2007-000070	R-CHIP;0ohm,5%,1/10W,TP,1608	1	SA		MC02	2203-005148	C-CER,CHIP;100nF,10%,16V,X7R,TP,160	1	SA	
HR40	2007-000729	R-CHIP;300ohm,5%,1/10W,TP,1608	1	SA		MC03	2401-000414	C-AL;10uF,20%,16V,GP,TP,4x7,5	1	SA	
HR41	2007-000084	R-CHIP;4.7Kohm,5%,1/10W,TP,1608	1	SA		MC04	2203-005148	C-CER,CHIP;100nF,10%,16V,X7R,TP,160	1	SA	
HR42	2007-000074	R-CHIP;100ohm,5%,1/10W,TP,1608	1	SA		MC05	2203-006361	C-CER,CHIP;10000nF,10%,10V,X5R,TP,2	1	SA	
HR43	2007-000074	R-CHIP;100ohm,5%,1/10W,TP,1608	1	SA		MC06	2203-006361	C-CER,CHIP;10000nF,10%,10V,X5R,TP,2	1	SA	
HR44	2007-000503	R-CHIP;2.2ohm,5%,1/10W,TP,1608	1	SA		MC07	2203-005148	C-CER,CHIP;100nF,10%,16V,X7R,TP,160	1	SA	
HR45	2007-000503	R-CHIP;2.2ohm,5%,1/10W,TP,1608	1	SA		MC08	2203-006361	C-CER,CHIP;10000nF,10%,10V,X5R,TP,2	1	SA	
HR46	2007-000503	R-CHIP;2.2ohm,5%,1/10W,TP,1608	1	SA		MC09	2203-005148	C-CER,CHIP;100nF,10%,16V,X7R,TP,160	1	SA	
HR47	2007-000503	R-CHIP;2.2ohm,5%,1/10W,TP,1608	1	SA		MC10	2203-005148	C-CER,CHIP;100nF,10%,16V,X7R,TP,160	1	SA	
HR48	2007-000503	R-CHIP;2.2ohm,5%,1/10W,TP,1608	1	SA		MC11	2203-005148	C-CER,CHIP;100nF,10%,16V,X7R,TP,160	1	SA	
HR49	2007-000503	R-CHIP;2.2ohm,5%,1/10W,TP,1608	1	SA		MC12	2203-005148	C-CER,CHIP;100nF,10%,16V,X7R,TP,160	1	SA	
HR50	2007-000503	R-CHIP;2.2ohm,5%,1/10W,TP,1608	1	SA		MC124A	2203-001086	C-CER,CHIP;0.0050nF,0.25pF,50V,NP0,	1	SA	
HR51	2007-000503	R-CHIP;2.2ohm,5%,1/10W,TP,1608	1	SA		MC13	2203-001086	C-CER,CHIP;0.0050nF,0.25pF,50V,NP0,	1	SA	
HR52	2007-000643	R-CHIP;270ohm,5%,1/10W,TP,1608	1	SA		MC14	2203-005148	C-CER,CHIP;100nF,10%,16V,X7R,TP,160	1	SA	
HR53	2007-000116	R-CHIP;120ohm,5%,1/10W,TP,1608	1	SA		MC15	2203-005148	C-CER,CHIP;100nF,10%,16V,X7R,TP,160	1	SA	
HR55	2007-000075	R-CHIP;220ohm,5%,1/10W,TP,1608	1	SA		MC16	2203-005148	C-CER,CHIP;100nF,10%,16V,X7R,TP,160	1	SA	
HR59	2007-000074	R-CHIP;100ohm,5%,1/10W,TP,1608	1	SA		MC17	2203-005148	C-CER,CHIP;100nF,10%,16V,X7R,TP,160	1	SA	
HR60	2007-000084	R-CHIP;4.7Kohm,5%,1/10W,TP,1608	1	SA		MC18	2203-005148	C-CER,CHIP;100nF,10%,16V,X7R,TP,160	1	SA	
HR61	2007-000074	R-CHIP;100ohm,5%,1/10W,TP,1608	1	SA		MC19	2203-005148	C-CER,CHIP;100nF,10%,16V,X7R,TP,160	1	SA	
HR62	2007-002425	R-CHIP;1ohm,5%,1/10W,TP,1608	1	SA		MC21	2203-006361	C-CER,CHIP;10000nF,10%,10V,X5R,TP,2	1	SA	
IC1CW	1201-002673	IC-AUDIO AMP;TAS5352DDV,HTSSOP,44P,	1	SA		MC22	2203-005148	C-CER,CHIP;100nF,10%,16V,X7R,TP,160	1	SA	
IC1L	1201-002673	IC-AUDIO AMP;TAS5352DDV,HTSSOP,44P,	1	SA		MC23	2203-005148	C-CER,CHIP;100nF,10%,16V,X7R,TP,160	1	SA	
IC1R	1201-002673	IC-AUDIO AMP;TAS5352DDV,HTSSOP,44P,	1	SA		MC24	2203-005148	C-CER,CHIP;100nF,10%,16V,X7R,TP,160	1	SA	
IC31	1205-003381	IC-TRANSMITTER;ES7108S,LQFP,80P,12x	1	SA		MC25	2203-005148	C-CER,CHIP;100nF,10%,16V,X7R,TP,160	1	SA	
IPB1	3301-001495	BEAD-SMD;120ohm,2012,2500mA,TP,115o	1	SA		MC26	2203-006361	C-CER,CHIP;10000nF,10%,10V,X5R,TP,2	1	SA	
IPB2	3301-001495	BEAD-SMD;120ohm,2012,2500mA,TP,115o	1	SA		MC27	2203-005148	C-CER,CHIP;100nF,10%,16V,X7R,TP,160	1	SA	
IPB3	3301-001495	BEAD-SMD;120ohm,2012,2500mA,TP,115o	1	SA		MC30	2203-005148	C-CER,CHIP;100nF,10%,16V,X7R,TP,160	1	SA	
IPB4	3301-001495	BEAD-SMD;120ohm,2012,2500mA,TP,115o	1	SA		MC31	2203-006361	C-CER,CHIP;10000nF,10%,10V,X5R,TP,2	1	SA	
IPB5	3301-001495	BEAD-SMD;120ohm,2012,2500mA,TP,115o	1	SA		MC32	2203-005148	C-CER,CHIP;100nF,10%,16V,X7R,TP,160	1	SA	
IPL2	3301-001495	BEAD-SMD;120ohm,2012,2500mA,TP,115o	1	SA		MC33	2203-006361	C-CER,CHIP;10000nF,10%,10V,X5R,TP,2	1	SA	
IPR21	2007-000070	R-CHIP;0ohm,5%,1/10W,TP,1608	1	SA		MC34	2203-005148	C-CER,CHIP;100nF,10%,16V,X7R,TP,160	1	SA	
IPR5	2007-000094	R-CHIP;22Kohm,5%,1/10W,TP,1608	1	SA		MC35	2203-006361	C-CER,CHIP;10000nF,10%,10V,X5R,TP,2	1	SA	
IRR1	2007-000113	R-CHIP;33ohm,5%,1/10W,TP,1608	1	SA		MC36	2203-005148	C-CER,CHIP;100nF,10%,16V,X7R,TP,160	1	SA	
J3	AH39-00940A	WIRE HARNESS;HT-X50,11,50mm,BLACK/W	1	SA		MC37	2203-000062	C-CER,CHIP;47nF,+80-20%,50V,Y5V,160	1	SA	
KBD4	2203-005148	C-CER,CHIP;100nF,10%,16V,X7R,TP,160	1	SA		MC38	2203-005148	C-CER,CHIP;100nF,10%,16V,X7R,TP,160	1	SA	
KB06	3301-001495	BEAD-SMD;120ohm,2012,2500mA,TP,115o	1	SA		MC39	2203-005148	C-CER,CHIP;100nF,10%,16V,X7R,TP,160	1	SA	
KC1	2203-005148	C-CER,CHIP;100nF,10%,16V,X7R,TP,160	1	SA		MC40	2203-000646	C-CER,CHIP;0.024nF,5%,50V,COG,TP,16	1	SA	
L1C	AH27-00073A	COIL FILTER;HT-Z320,11.0uH,18Mohm,1	1	SA		MC41	2203-000681	C-CER,CHIP;0.027nF,5%,50V,COG,1608	1	SA	
L1FL	AH27-00073A	COIL FILTER;HT-Z320,11.0uH,18Mohm,1	1	SA		MC42	2203-005148	C-CER,CHIP;100nF,10%,16V,X7R,TP,160	1	SA	
L1FR	AH27-00073A	COIL FILTER;HT-Z320,11.0uH,18Mohm,1	1	SA		MC43	2203-005148	C-CER,CHIP;100nF,10%,16V,X7R,TP,160	1	SA	
L1RL	AH27-00073A	COIL FILTER;HT-Z320,11.0uH,18Mohm,1	1	SA		MC44	2203-005148	C-CER,CHIP;100nF,10%,16V,X7R,TP,160	1	SA	
L1SW	AH27-00073A	COIL FILTER;HT-Z320,11.0uH,18Mohm,1	1	SA		MC45	2203-006361	C-CER,CHIP;10000nF,10%,10V,X5R,TP,2	1	SA	
L2C	AH27-00073A	COIL FILTER;HT-Z320,11.0uH,18Mohm,1	1	SA		MC46	2203-005148	C-CER,CHIP;100nF,10%,16V,X7R,TP,160	1	SA	
L2FL	AH27-00073A	COIL FILTER;HT-Z320,11.0uH,18Mohm,1	1	SA		MC47	2203-005148	C-CER,CHIP;100nF,10%,16V,X7R,TP,160	1	SA	
L2FR	AH27-00073A	COIL FILTER;HT-Z320,11.0uH,18Mohm,1	1	SA		MC48	2203-005148	C-CER,CHIP;100nF,10%,16V,X7R,TP,160	1	SA	
L2RL	AH27-00073A	COIL FILTER;HT-Z320,11.0uH,18Mohm,1	1	SA		MC49	2203-005148	C-CER,CHIP;100nF,10%,16V,X7R,TP,160	1	SA	
L2SW	AH27-00073A	COIL FILTER;HT-Z320,11.0uH,18Mohm,1	1	SA		MC50	2203-005148	C-CER,CHIP;100nF,10%,16V,X7R,TP,160	1	SA	
L3RR	AH27-00073A	COIL FILTER;HT-Z320,11.0uH,18Mohm,1	1	SA		MC51	2203-005148	C-CER,CHIP;100nF,10%,16V,X7R,TP,160	1	SA	
L4RR	AH27-00073A	COIL FILTER;HT-Z320,11.0uH,18Mohm,1	1	SA		MC52	2203-005148	C-CER,CHIP;100nF,10%,16V,X7R,TP,160	1	SA	
LOADSW	0505-001170	FET-SILICON;SI9933ADY-T1,P,-20V,3.4	1	SA		MC53	2203-005148	C-CER,CHIP;100nF,10%,16V,X7R,TP,160	1	SA	
MB02	3301-001495	BEAD-SMD;120ohm,2012,2500mA,TP,115o	1	SA		MC56	2203-006361	C-CER,CHIP;10000nF,10%,10V,X5R,TP,2	1	SA	
MB03	3301-001495	BEAD-SMD;120ohm,2012,2500mA,TP,115o	1	SA		MC57	2203-005148	C-CER,CHIP;100nF,10%,16V,X7R,TP,160	1	SA	
MB06	3301-001495	BEAD-SMD;120ohm,2012,2500mA,TP,115o	1	SA		MC58	2203-005148	C-CER,CHIP;100nF,10%,16V,X7R,TP,160	1	SA	
MB07	3301-001495	BEAD-SMD;120ohm,2012,2500mA,TP,115o	1	SA		MC66	2203-005148	C-CER,CHIP;100nF,10%,16V,X7R,TP,160	1	SA	
MB08	3301-001495	BEAD-SMD;120ohm,2012,2500mA,TP,115o	1	SA		MC67	2203-005148	C-CER,CHIP;100nF,10%,16V,X7R,TP,160	1	SA	
MB10	3301-001495	BEAD-SMD;120ohm,2012,2500mA,TP,115o	1	SA		MC68	2203-005148	C-CER,CHIP;100nF,10%,16V,X7R,TP,160	1	SA	
MB15	3301-001495	BEAD-SMD;120ohm,2012,2500mA,TP,115o	1	SA		MC75	2203-006361	C-CER,CHIP;10000nF,10%,10V,X5R,TP,2	1	SA	
						MC77	2203-005148	C-CER,CHIP;100nF,10%,16V,X7R,TP,160	1	SA	

Exploded View & Part List

Loc. No.	Part No.	Description;Specification	Q'ty	SNA	Remark	Loc. No.	Part No.	Description;Specification	Q'ty	SNA	Remark
MC90	2203-001596	C-CER,CHIP;220nF,+80-20%,50V,Y5V,2	1	SA		MR2A	2007-000113	R-CHIP;33ohm,5%,1/10W,TP,1608	1	SA	
MC91	2203-001596	C-CER,CHIP;220nF,+80-20%,50V,Y5V,2	1	SA		MR3	2007-000074	R-CHIP;100ohm,5%,1/10W,TP,1608	1	SA	
MCON15	3709-001287	CONNECTOR-CARD SLOT;10P,1.5mm,SMD-A	1	SA		MR30	2007-000113	R-CHIP;33ohm,5%,1/10W,TP,1608	1	SA	
MCON2	3711-000683	HEADER-BOARD TO CABLE;BOX,13P,1R,2m	1	SA		MR34	2007-000084	R-CHIP;4.7Kohm,5%,1/10W,TP,1608	1	SA	
MCON3	3708-001939	CONNECTOR-FPC/FFC/PIC;32P,1mm,STRAI	1	SA		MR35	2007-000078	R-CHIP;1Kohm,5%,1/10W,TP,1608	1	SA	
MD01	0404-001089	DIODE-SCHOTTKY;RB551V-30,20V,500MA,	1	SA		MR36	2011-001344	R-NETWORK;100ohm,5%,1/16W,L,CHIP,8P	1	SNA	
MIC1	1204-002989	IC-PAL/NTSC DECODER;ES8391SCCB,LQFP	1	SA		MR37	2007-000118	R-CHIP;390ohm,5%,1/10W,TP,1608	1	SA	
MIC2	1105-001573	IC-DRAM;K4S281632,-,128Mbit,8Mx16Bi	1	SA		MR38	2007-000070	R-CHIP;0ohm,5%,1/10W,TP,1608	1	SA	
MIC3	1107-001600	IC-NOR FLASH;MX25L1605A,16Mbit,2Mx8	1	SA		MR39	2007-000090	R-CHIP;10Kohm,5%,1/10W,TP,1608	1	SA	
MIC6	1103-001333	IC-EEPROM;24C08A,8Kbit,1Kx8,SOP,8P,	1	SA		MR3A	2007-000070	R-CHIP;0ohm,5%,1/10W,TP,1608	1	SA	
MR01	2007-000074	R-CHIP;100ohm,5%,1/10W,TP,1608	1	SA		MR4	2007-000074	R-CHIP;100ohm,5%,1/10W,TP,1608	1	SA	
MR02	2007-000074	R-CHIP;100ohm,5%,1/10W,TP,1608	1	SA		MR40	2007-000074	R-CHIP;100ohm,5%,1/10W,TP,1608	1	SA	
MR03	2011-001344	R-NETWORK;100ohm,5%,1/16W,L,CHIP,8P	1	SNA		MR41	2007-000090	R-CHIP;10Kohm,5%,1/10W,TP,1608	1	SA	
MR04	2011-001344	R-NETWORK;100ohm,5%,1/16W,L,CHIP,8P	1	SNA		MR42	2007-000090	R-CHIP;10Kohm,5%,1/10W,TP,1608	1	SA	
MR05	2011-001344	R-NETWORK;100ohm,5%,1/16W,L,CHIP,8P	1	SNA		MR49	2007-000133	R-CHIP;330Kohm,5%,1/10W,TP,1608	1	SA	
MR06	2011-001344	R-NETWORK;100ohm,5%,1/16W,L,CHIP,8P	1	SNA		MR4A	2007-000070	R-CHIP;0ohm,5%,1/10W,TP,1608	1	SA	
MR07	2011-001344	R-NETWORK;100ohm,5%,1/16W,L,CHIP,8P	1	SNA		MR5	2007-000070	R-CHIP;0ohm,5%,1/10W,TP,1608	1	SA	
MR08	2011-001344	R-NETWORK;100ohm,5%,1/16W,L,CHIP,8P	1	SNA		MR51	2007-000102	R-CHIP;100Kohm,5%,1/10W,TP,1608	1	SA	
MR09	2011-001344	R-NETWORK;100ohm,5%,1/16W,L,CHIP,8P	1	SNA		MR54	2007-000084	R-CHIP;4.7Kohm,5%,1/10W,TP,1608	1	SA	
MR1	2007-000074	R-CHIP;100ohm,5%,1/10W,TP,1608	1	SA		MR58	2007-000084	R-CHIP;4.7Kohm,5%,1/10W,TP,1608	1	SA	
MR10	2011-001344	R-NETWORK;100ohm,5%,1/16W,L,CHIP,8P	1	SNA		MR59	2007-000090	R-CHIP;10Kohm,5%,1/10W,TP,1608	1	SA	
MR100	2007-000121	R-CHIP;820ohm,5%,1/10W,TP,1608	1	SA		MR5A	2007-000070	R-CHIP;0ohm,5%,1/10W,TP,1608	1	SA	
MR102	2007-000113	R-CHIP;33ohm,5%,1/10W,TP,1608	1	SA		MR89	2007-000113	R-CHIP;33ohm,5%,1/10W,TP,1608	1	SA	
MR103	2007-000113	R-CHIP;33ohm,5%,1/10W,TP,1608	1	SA		MR90	2007-000113	R-CHIP;33ohm,5%,1/10W,TP,1608	1	SA	
MR104	2007-000113	R-CHIP;33ohm,5%,1/10W,TP,1608	1	SA		MR91	2007-000076	R-CHIP;330ohm,5%,1/10W,TP,1608	1	SA	
MR11	2011-001344	R-NETWORK;100ohm,5%,1/16W,L,CHIP,8P	1	SNA		MR92	2007-000119	R-CHIP;560ohm,5%,1/10W,TP,1608	1	SA	
MR111	2007-000309	R-CHIP;10ohm,5%,1/10W,TP,1608	1	SA		MR93	2007-000074	R-CHIP;100ohm,5%,1/10W,TP,1608	1	SA	
MR112	2007-000309	R-CHIP;10ohm,5%,1/10W,TP,1608	1	SA		MR94	2007-000078	R-CHIP;1Kohm,5%,1/10W,TP,1608	1	SA	
MR113	2007-000309	R-CHIP;10ohm,5%,1/10W,TP,1608	1	SA		MR95	2007-000078	R-CHIP;1Kohm,5%,1/10W,TP,1608	1	SA	
MR114	2007-000309	R-CHIP;10ohm,5%,1/10W,TP,1608	1	SA		MR96	2007-002425	R-CHIP;1ohm,5%,1/10W,TP,1608	1	SA	
MR115	2007-000309	R-CHIP;10ohm,5%,1/10W,TP,1608	1	SA		MX01	2801-004284	CRYSTAL-SMD;27MHZ,10PPM,28-AAN,20PF	1	SA	
MR12	2011-001344	R-NETWORK;100ohm,5%,1/16W,L,CHIP,8P	1	SNA		MX1	2801-004354	CRYSTAL-UNIT;12.288MHZ,30PPM,ATS-49	1	SA	
MR120	2007-000081	R-CHIP;2.7Kohm,5%,1/10W,TP,1608	1	SA		NC6	2203-006361	C-CER,CHIP;10000nF,10%,10V,X5R,TP,2	1	SA	
MR121	2007-000113	R-CHIP;33ohm,5%,1/10W,TP,1608	1	SA		NC7	2203-006361	C-CER,CHIP;10000nF,10%,10V,X5R,TP,2	1	SA	
MR122	2007-000113	R-CHIP;33ohm,5%,1/10W,TP,1608	1	SA		NC8	2401-001164	C-AL;33uF,20%,16V,GP,TP,5x11mm,5mm	1	SA	
MR123	2007-000113	R-CHIP;33ohm,5%,1/10W,TP,1608	1	SA		ND3	0403-001284	DIODE-ZENER;RLZ3.3A,3.16-3.38V,500m	1	SA	
MR124	2007-000113	R-CHIP;33ohm,5%,1/10W,TP,1608	1	SA		ND4	0401-001090	DIODE-SWITCHING;1SS355,80V,100MA,SO	1	SA	
MR13	2007-000074	R-CHIP;100ohm,5%,1/10W,TP,1608	1	SA		ND5	0401-001090	DIODE-SWITCHING;1SS355,80V,100MA,SO	1	SA	
MR14	2007-000074	R-CHIP;100ohm,5%,1/10W,TP,1608	1	SA		NIC1	1201-000163	IC-OP AMP;4560,SOP,8P,173MIL,DUAL,1	1	SA	
MR15	2007-000084	R-CHIP;4.7Kohm,5%,1/10W,TP,1608	1	SA		NQ3	0501-000010	TR-SMALL SIGNAL;KSC1008,NPN,800mW,T	1	SA	
MR152	2007-000102	R-CHIP;100Kohm,5%,1/10W,TP,1608	1	SA		NR11	2007-000084	R-CHIP;4.7Kohm,5%,1/10W,TP,1608	1	SA	
MR153	2007-000102	R-CHIP;100Kohm,5%,1/10W,TP,1608	1	SA		NR12	2007-000097	R-CHIP;47Kohm,5%,1/10W,TP,1608	1	SA	
MR154	2007-000094	R-CHIP;22Kohm,5%,1/10W,TP,1608	1	SA		NR13	2007-000084	R-CHIP;4.7Kohm,5%,1/10W,TP,1608	1	SA	
MR156	2007-000070	R-CHIP;0ohm,5%,1/10W,TP,1608	1	SA		NR14	2007-000074	R-CHIP;100ohm,5%,1/10W,TP,1608	1	SA	
MR157	2007-000070	R-CHIP;0ohm,5%,1/10W,TP,1608	1	SA		NR15	2007-000102	R-CHIP;100Kohm,5%,1/10W,TP,1608	1	SA	
MR16	2007-000084	R-CHIP;4.7Kohm,5%,1/10W,TP,1608	1	SA		NR16	2007-000134	R-CHIP;33Kohm,5%,1/10W,TP,1608	1	SA	
MR160	2007-000094	R-CHIP;22Kohm,5%,1/10W,TP,1608	1	SA		NR17	2007-000458	R-CHIP;18Kohm,5%,1/10W,TP,1608	1	SA	
MR17	2007-000084	R-CHIP;4.7Kohm,5%,1/10W,TP,1608	1	SA		NR18	2007-000097	R-CHIP;47Kohm,5%,1/10W,TP,1608	1	SA	
MR18	2007-000084	R-CHIP;4.7Kohm,5%,1/10W,TP,1608	1	SA		NR19	2007-000070	R-CHIP;0ohm,5%,1/10W,TP,1608	1	SA	
MR1A	2007-000113	R-CHIP;33ohm,5%,1/10W,TP,1608	1	SA		NR3	2007-000134	R-CHIP;33Kohm,5%,1/10W,TP,1608	1	SA	
MR2	2007-000074	R-CHIP;100ohm,5%,1/10W,TP,1608	1	SA		NR4	2007-000092	R-CHIP;15Kohm,5%,1/10W,TP,1608	1	SA	
MR201	2007-000113	R-CHIP;33ohm,5%,1/10W,TP,1608	1	SA		OPR3	2007-000077	R-CHIP;470ohm,5%,1/10W,TP,1608	1	SA	
MR202	2007-000113	R-CHIP;33ohm,5%,1/10W,TP,1608	1	SA		OPTC1	2203-006361	C-CER,CHIP;10000nF,10%,10V,X5R,TP,2	1	SA	
MR23	2007-000074	R-CHIP;100ohm,5%,1/10W,TP,1608	1	SA		OPTD1	3301-001495	BEAD-SMD;120ohm,2012,2500mA,TP,115o	1	SA	
MR26	2007-000113	R-CHIP;33ohm,5%,1/10W,TP,1608	1	SA		OPTIC	0603-001164	OPTIC TRANSMITTER;5V,16Mb/s,0m,0dBm	1	SA	
MR27	2007-000090	R-CHIP;10Kohm,5%,1/10W,TP,1608	1	SA		OPTIONR1	2007-000070	R-CHIP;0ohm,5%,1/10W,TP,1608	1	SA	
MR28	2007-000121	R-CHIP;820ohm,5%,1/10W,TP,1608	1	SA		OPTR1	2007-000070	R-CHIP;0ohm,5%,1/10W,TP,1608	1	SA	
MR29	2007-000113	R-CHIP;33ohm,5%,1/10W,TP,1608	1	SA		OPTR2	2007-000070	R-CHIP;0ohm,5%,1/10W,TP,1608	1	SA	

Loc. No.	Part No.	Description;Specification	Q'ty	SNA	Remark	Loc. No.	Part No.	Description;Specification	Q'ty	SNA	Remark
PB1	3301-001495	BEAD-SMD;120ohm,2012,2500mA,TP,115o	1	SA		PWMR12	2007-000072	R-CHIP;47ohm,5%,1/10W,TP,1608	1	SA	
PB13	3301-001495	BEAD-SMD;120ohm,2012,2500mA,TP,115o	1	SA							
PB2	3301-001495	BEAD-SMD;120ohm,2012,2500mA,TP,115o	1	SA		PWMR13	2007-000090	R-CHIP;10Kohm,5%,1/10W,TP,1608	1	SA	
PB3	3301-001495	BEAD-SMD;120ohm,2012,2500mA,TP,115o	1	SA		PWMR14	2007-000070	R-CHIP;0ohm,5%,1/10W,TP,1608	1	SA	
PB4	3301-001495	BEAD-SMD;120ohm,2012,2500mA,TP,115o	1	SA		PWMR15	2007-000090	R-CHIP;10Kohm,5%,1/10W,TP,1608	1	SA	
						PWMR16	2007-000072	R-CHIP;47ohm,5%,1/10W,TP,1608	1	SA	
PB5	3301-001495	BEAD-SMD;120ohm,2012,2500mA,TP,115o	1	SA		PWMR17	2007-000072	R-CHIP;47ohm,5%,1/10W,TP,1608	1	SA	
PB6	3301-001495	BEAD-SMD;120ohm,2012,2500mA,TP,115o	1	SA							
PC20	2203-006361	C-CER,CHIP;10000nF,10%,10V,X5R,TP,2	1	SA		PWMR18	2007-000072	R-CHIP;47ohm,5%,1/10W,TP,1608	1	SA	
PC21	2203-006361	C-CER,CHIP;10000nF,10%,10V,X5R,TP,2	1	SA		PWMR19	2007-000072	R-CHIP;47ohm,5%,1/10W,TP,1608	1	SA	
PC23	2203-005249	C-CER,CHIP;100nF,10%,50V,X7R,TP,160	1	SA		PWMR20	2007-000070	R-CHIP;0ohm,5%,1/10W,TP,1608	1	SA	
						PWMR22	2007-000094	R-CHIP;22Kohm,5%,1/10W,TP,1608	1	SA	
PC5	2203-006361	C-CER,CHIP;10000nF,10%,10V,X5R,TP,2	1	SA		PWMR23	2007-000113	R-CHIP;33ohm,5%,1/10W,TP,1608	1	SA	
PC6	2203-005249	C-CER,CHIP;100nF,10%,50V,X7R,TP,160	1	SA							
PC7	2401-001364	C-AL;470uF,20%,16V,GP,TP,10x12.5,5	1	SA		PWMR24	2007-000074	R-CHIP;100ohm,5%,1/10W,TP,1608	1	SA	
PC8	2203-005249	C-CER,CHIP;100nF,10%,50V,X7R,TP,160	1	SA		PWMR25	2007-000074	R-CHIP;100ohm,5%,1/10W,TP,1608	1	SA	
PCB	AH41-01194A	PCB-MAIN;HT-Z320,2Layer,T1.6,HT-Z32	1	SNA		PWMR26	2007-000074	R-CHIP;100ohm,5%,1/10W,TP,1608	1	SA	
						PWMR27	2007-000074	R-CHIP;100ohm,5%,1/10W,TP,1608	1	SA	
PD1	0402-000309	DIODE-RECTIFIER;1SR154-400,400V,1A,	1	SA		PWMR28	2007-000072	R-CHIP;47ohm,5%,1/10W,TP,1608	1	SA	
PD2	0402-000309	DIODE-RECTIFIER;1SR154-400,400V,1A,	1	SA							
PIC1	1203-002935	IC-POSI.ADJUST REG.;AIC1117ACE,TO-2	1	SA		PWMR29	2007-000072	R-CHIP;47ohm,5%,1/10W,TP,1608	1	SA	
PIC7	1203-002935	IC-POSI.ADJUST REG.;AIC1117ACE,TO-2	1	SA		PWMR3	2007-000109	R-CHIP;1Mohm,5%,1/10W,TP,1608	1	SA	
PWMC1	2203-000626	C-CER,CHIP;0.022nF,5%,50V,COG,1608	1	SA		PWMR30	2007-000072	R-CHIP;47ohm,5%,1/10W,TP,1608	1	SA	
						PWMR31	2007-000072	R-CHIP;47ohm,5%,1/10W,TP,1608	1	SA	
PWMC10	2203-005249	C-CER,CHIP;100nF,10%,50V,X7R,TP,160	1	SA		PWMR32	2007-000072	R-CHIP;47ohm,5%,1/10W,TP,1608	1	SA	
PWMC11	2203-006361	C-CER,CHIP;10000nF,10%,10V,X5R,TP,2	1	SA							
PWMC12	2203-000189	C-CER,CHIP;100nF,+80-20%,25V,Y5V,16	1	SA		PWMR33	2007-000072	R-CHIP;47ohm,5%,1/10W,TP,1608	1	SA	
PWMC13	2203-005249	C-CER,CHIP;100nF,10%,50V,X7R,TP,160	1	SA		PWMR34	2007-000072	R-CHIP;47ohm,5%,1/10W,TP,1608	1	SA	
PWMC14	2203-005249	C-CER,CHIP;100nF,10%,50V,X7R,TP,160	1	SA		PWMR35	2007-000072	R-CHIP;47ohm,5%,1/10W,TP,1608	1	SA	
						PWMR36	2007-000072	R-CHIP;47ohm,5%,1/10W,TP,1608	1	SA	
PWMC15	2203-005249	C-CER,CHIP;100nF,10%,50V,X7R,TP,160	1	SA		PWMR37	2007-000072	R-CHIP;47ohm,5%,1/10W,TP,1608	1	SA	
PWMC16	2203-006361	C-CER,CHIP;10000nF,10%,10V,X5R,TP,2	1	SA							
PWMC17	2203-005249	C-CER,CHIP;100nF,10%,50V,X7R,TP,160	1	SA		PWMR38	2007-000072	R-CHIP;47ohm,5%,1/10W,TP,1608	1	SA	
PWMC19	2203-006361	C-CER,CHIP;10000nF,10%,10V,X5R,TP,2	1	SA		PWMR39	2007-000072	R-CHIP;47ohm,5%,1/10W,TP,1608	1	SA	
PWMC2	2203-000626	C-CER,CHIP;0.022nF,5%,50V,COG,1608	1	SA		PWMR7	2007-000090	R-CHIP;10Kohm,5%,1/10W,TP,1608	1	SA	
						PWMR8	2007-000090	R-CHIP;10Kohm,5%,1/10W,TP,1608	1	SA	
PWMC20	2203-005249	C-CER,CHIP;100nF,10%,50V,X7R,TP,160	1	SA		PWMR9	2007-000090	R-CHIP;10Kohm,5%,1/10W,TP,1608	1	SA	
PWMC22	2203-005249	C-CER,CHIP;100nF,10%,50V,X7R,TP,160	1	SA							
PWMC23	2203-005249	C-CER,CHIP;100nF,10%,50V,X7R,TP,160	1	SA		R101	2007-000070	R-CHIP;0ohm,5%,1/10W,TP,1608	1	SA	
PWMC24	2203-005249	C-CER,CHIP;100nF,10%,50V,X7R,TP,160	1	SA		R102	2007-000070	R-CHIP;0ohm,5%,1/10W,TP,1608	1	SA	
PWMC25	2203-005249	C-CER,CHIP;100nF,10%,50V,X7R,TP,160	1	SA		R10C	2007-000090	R-CHIP;10Kohm,5%,1/10W,TP,1608	1	SA	
						R10FL	2007-000090	R-CHIP;10Kohm,5%,1/10W,TP,1608	1	SA	
PWMC26	2203-005249	C-CER,CHIP;100nF,10%,50V,X7R,TP,160	1	SA		R10FR	2007-000090	R-CHIP;10Kohm,5%,1/10W,TP,1608	1	SA	
PWMC27	2203-005249	C-CER,CHIP;100nF,10%,50V,X7R,TP,160	1	SA							
PWMC28	2203-005249	C-CER,CHIP;100nF,10%,50V,X7R,TP,160	1	SA		R10RL	2007-000090	R-CHIP;10Kohm,5%,1/10W,TP,1608	1	SA	
PWMC29	2203-005249	C-CER,CHIP;100nF,10%,50V,X7R,TP,160	1	SA		R10SW	2007-000090	R-CHIP;10Kohm,5%,1/10W,TP,1608	1	SA	
PWMC30	2203-005249	C-CER,CHIP;100nF,10%,50V,X7R,TP,160	1	SA		R11C	2007-002425	R-CHIP;1ohm,5%,1/10W,TP,1608	1	SA	
						R11CC	2007-000034	R-CHIP;1ohm,5%,1/4W,TP,3216	1	SA	
PWMC31	2203-005249	C-CER,CHIP;100nF,10%,50V,X7R,TP,160	1	SA		R11FL	2007-002425	R-CHIP;1ohm,5%,1/10W,TP,1608	1	SA	
PWMC32	2203-006333	C-CER,CHIP;10000nF,20%,16V,X5R,TP,3	1	SA							
PWMC34	2203-005249	C-CER,CHIP;100nF,10%,50V,X7R,TP,160	1	SA		R11FR	2007-002425	R-CHIP;1ohm,5%,1/10W,TP,1608	1	SA	
PWMC35	2203-005249	C-CER,CHIP;100nF,10%,50V,X7R,TP,160	1	SA		R11RL	2007-002425	R-CHIP;1ohm,5%,1/10W,TP,1608	1	SA	
PWMC36	2203-005249	C-CER,CHIP;100nF,10%,50V,X7R,TP,160	1	SA		R11SW	2007-002425	R-CHIP;1ohm,5%,1/10W,TP,1608	1	SA	
						R12C	2007-000090	R-CHIP;10Kohm,5%,1/10W,TP,1608	1	SA	
PWMC37	2203-005249	C-CER,CHIP;100nF,10%,50V,X7R,TP,160	1	SA		R12FL	2007-000090	R-CHIP;10Kohm,5%,1/10W,TP,1608	1	SA	
PWMC42	2203-006333	C-CER,CHIP;10000nF,20%,16V,X5R,TP,3	1	SA							
PWMC5	2203-006361	C-CER,CHIP;10000nF,10%,10V,X5R,TP,2	1	SA		R12FR	2007-000090	R-CHIP;10Kohm,5%,1/10W,TP,1608	1	SA	
PWMC6	2203-006361	C-CER,CHIP;10000nF,10%,10V,X5R,TP,2	1	SA		R12RL	2007-000090	R-CHIP;10Kohm,5%,1/10W,TP,1608	1	SA	
PWMC7	2203-006361	C-CER,CHIP;10000nF,10%,10V,X5R,TP,2	1	SA		R12SW	2007-000090	R-CHIP;10Kohm,5%,1/10W,TP,1608	1	SA	
						R13C	2007-002425	R-CHIP;1ohm,5%,1/10W,TP,1608	1	SA	
PWMC8	2203-005249	C-CER,CHIP;100nF,10%,50V,X7R,TP,160	1	SA		R13FL	2007-002425	R-CHIP;1ohm,5%,1/10W,TP,1608	1	SA	
PWMC9	2203-005249	C-CER,CHIP;100nF,10%,50V,X7R,TP,160	1	SA							
PWMC1	1204-002968	IC-MODULATOR;PS9830B,TQFP,100P,14x1	1	SA		R13FR	2007-002425	R-CHIP;1ohm,5%,1/10W,TP,1608	1	SA	
PWML1	3301-001069	BEAD-SMD;120ohm,1.6x0.8x0.8mm,200mA	1	SA		R13RL(320)	2007-002425	R-CHIP;1ohm,5%,1/10W,TP,1608	1	SA	
PWML2	3301-001069	BEAD-SMD;120ohm,1.6x0.8x0.8mm,200mA	1	SA		R13SW	2007-002425	R-CHIP;1ohm,5%,1/10W,TP,1608	1	SA	
						R14FR	2007-000462	R-CHIP;18ohm,5%,1/8W,TP,2012	1	SA	
PWML3	3301-001069	BEAD-SMD;120ohm,1.6x0.8x0.8mm,200mA	1	SA		R150	2007-000941	R-CHIP;47Kohm,5%,1/8W,TP,2012	1	SA	
PWMR1	2007-000077	R-CHIP;470ohm,5%,1/10W,TP,1608	1	SA							
PWMR10	2007-000090	R-CHIP;10Kohm,5%,1/10W,TP,1608	1	SA		R15FR	2007-000462	R-CHIP;18ohm,5%,1/8W,TP,2012	1	SA	
PWMR11	2007-000072	R-CHIP;47ohm,5%,1/10W,TP,1608	1	SA		R16RR	2007-000462	R-CHIP;18ohm,5%,1/8W,TP,2012	1	SA	

Exploded View & Part List

Loc. No.	Part No.	Description;Specification	Q'ty	SNA	Remark	Loc. No.	Part No.	Description;Specification	Q'ty	SNA	Remark
R17RR	2007-000462	R-CHIP;18ohm,5%,1/8W,TP,2012	1	SA		RC10	2203-005148	C-CER,CHIP;100nF,10%,16V,X7R,TP,160	1	SA	
R18RR	2007-000090	R-CHIP;10Kohm,5%,1/10W,TP,1608	1	SA		RC15	2401-001479	C-AL;470uF,20%,10V,GP,TP,6.3*11mm,5	1	SA	
R19RR	2007-000090	R-CHIP;10Kohm,5%,1/10W,TP,1608	1	SA		RC16	2401-001479	C-AL;470uF,20%,10V,GP,TP,6.3*11mm,5	1	SA	
R1FR	2007-000070	R-CHIP;0ohm,5%,1/10W,TP,1608	1	SA		RC17	2203-005148	C-CER,CHIP;100nF,10%,16V,X7R,TP,160	1	SA	
R1RL	2007-000070	R-CHIP;0ohm,5%,1/10W,TP,1608	1	SA		RC18	2203-005148	C-CER,CHIP;100nF,10%,16V,X7R,TP,160	1	SA	
R1SW	2007-000070	R-CHIP;0ohm,5%,1/10W,TP,1608	1	SA		RC1A	2203-000257	C-CER,CHIP;10nF,10%,50V,X7R,TP,1608	1	SA	
R20RR	2007-002425	R-CHIP;1ohm,5%,1/10W,TP,1608	1	SA		RC20	2203-000189	C-CER,CHIP;100nF,+80-20%,25V,Y5V,16	1	SA	
R21RR	2007-002425	R-CHIP;1ohm,5%,1/10W,TP,1608	1	SA		RC21	2203-000189	C-CER,CHIP;100nF,+80-20%,25V,Y5V,16	1	SA	
R22FR	2007-000034	R-CHIP;1ohm,5%,1/4W,TP,3216	1	SA		RC23	2203-000189	C-CER,CHIP;100nF,+80-20%,25V,Y5V,16	1	SA	
R24FR	2007-000070	R-CHIP;0ohm,5%,1/10W,TP,1608	1	SA		RC24	2203-000440	C-CER,CHIP;1nF,10%,50V,X7R,1608	1	SA	
R2C	2007-000312	R-CHIP;10ohm,5%,1/4W,TP,3216	1	SA		RC26	2203-000440	C-CER,CHIP;1nF,10%,50V,X7R,1608	1	SA	
R2FL	2007-000312	R-CHIP;10ohm,5%,1/4W,TP,3216	1	SA		RC27	2203-000189	C-CER,CHIP;100nF,+80-20%,25V,Y5V,16	1	SA	
R2FR	2007-000034	R-CHIP;1ohm,5%,1/4W,TP,3216	1	SA		RC29	2203-000189	C-CER,CHIP;100nF,+80-20%,25V,Y5V,16	1	SA	
R2RL	2007-000034	R-CHIP;1ohm,5%,1/4W,TP,3216	1	SA		RC2A	2203-000257	C-CER,CHIP;10nF,10%,50V,X7R,TP,1608	1	SA	
R2SW	2007-000034	R-CHIP;1ohm,5%,1/4W,TP,3216	1	SA		RC30	2203-006361	C-CER,CHIP;1000nF,10%,10V,X5R,TP,2	1	SA	
R32FR	2007-000694	R-CHIP;3.3ohm,5%,1/8W,TP,2012	1	SA		RC30A	2203-006361	C-CER,CHIP;1000nF,10%,10V,X5R,TP,2	1	SA	
R33RR	2007-000694	R-CHIP;3.3ohm,5%,1/8W,TP,2012	1	SA		RC31	2203-000440	C-CER,CHIP;1nF,10%,50V,X7R,1608	1	SA	
R3C	2007-000034	R-CHIP;1ohm,5%,1/4W,TP,3216	1	SA		RC32	2203-006361	C-CER,CHIP;1000nF,10%,10V,X5R,TP,2	1	SA	
R3FL	2007-000034	R-CHIP;1ohm,5%,1/4W,TP,3216	1	SA		RC32A	2203-006361	C-CER,CHIP;1000nF,10%,10V,X5R,TP,2	1	SA	
R3FR	2007-000094	R-CHIP;22Kohm,5%,1/10W,TP,1608	1	SA		RC33	2203-000440	C-CER,CHIP;1nF,10%,50V,X7R,1608	1	SA	
R3RL	2007-000094	R-CHIP;22Kohm,5%,1/10W,TP,1608	1	SA		RC42	2203-005015	C-CER,CHIP;150nF,+80-20%,16V,Y5V,16	1	SA	
R3SW	2007-000094	R-CHIP;22Kohm,5%,1/10W,TP,1608	1	SA		RC43	2203-000440	C-CER,CHIP;1nF,10%,50V,X7R,1608	1	SA	
R46	2007-000253	R-CHIP;1.5ohm,5%,1/4W,TP,3216	1	SA		RC44	2203-000888	C-CER,CHIP;4.7nF,10%,50V,X7R,TP,160	1	SA	
R4C	2007-000090	R-CHIP;10Kohm,5%,1/10W,TP,1608	1	SA		RC45	2203-005065	C-CER,CHIP;1000nF,+80-20%,10V,Y5V,1	1	SA	
R4FL	2007-000090	R-CHIP;10Kohm,5%,1/10W,TP,1608	1	SA		RC47	2203-006361	C-CER,CHIP;1000nF,10%,10V,X5R,TP,2	1	SA	
R4RL	2007-000090	R-CHIP;10Kohm,5%,1/10W,TP,1608	1	SA		RC49	2203-002398	C-CER,CHIP;22nF,10%,50V,X7R,1608	1	SA	
R4RR	2007-000090	R-CHIP;10Kohm,5%,1/10W,TP,1608	1	SA		RC50	2203-000280	C-CER,CHIP;0.01nF,0.5pF,50V,C0G,160	1	SA	
R4SW	2007-000090	R-CHIP;10Kohm,5%,1/10W,TP,1608	1	SA		RC51	2203-000236	C-CER,CHIP;0.1nF,5%,50V,C0G,1608	1	SA	
R5C	2007-000070	R-CHIP;0ohm,5%,1/10W,TP,1608	1	SA		RC52	2203-000440	C-CER,CHIP;1nF,10%,50V,X7R,1608	1	SA	
R5FL	2007-000070	R-CHIP;0ohm,5%,1/10W,TP,1608	1	SA		RC53	2203-006361	C-CER,CHIP;1000nF,10%,10V,X5R,TP,2	1	SA	
R5FR	2007-000070	R-CHIP;0ohm,5%,1/10W,TP,1608	1	SA		RC54	2203-001126	C-CER,CHIP;0.68nF,10%,50V,X7R,1608	1	SA	
R5RL	2007-000070	R-CHIP;0ohm,5%,1/10W,TP,1608	1	SA		RC55	2203-005148	C-CER,CHIP;100nF,10%,16V,X7R,TP,160	1	SA	
R5SW	2007-000070	R-CHIP;0ohm,5%,1/10W,TP,1608	1	SA		RC55A	2203-000189	C-CER,CHIP;100nF,+80-20%,25V,Y5V,16	1	SA	
R6C	2007-000034	R-CHIP;1ohm,5%,1/4W,TP,3216	1	SA		RC56	2203-005148	C-CER,CHIP;100nF,10%,16V,X7R,TP,160	1	SA	
R6FL	2007-000034	R-CHIP;1ohm,5%,1/4W,TP,3216	1	SA		RC57	2203-000257	C-CER,CHIP;10nF,10%,50V,X7R,TP,1608	1	SA	
R6FR	2007-000090	R-CHIP;10Kohm,5%,1/10W,TP,1608	1	SA		RC58	2203-006361	C-CER,CHIP;1000nF,10%,10V,X5R,TP,2	1	SA	
R6RL	2007-000034	R-CHIP;1ohm,5%,1/4W,TP,3216	1	SA		RC59	2203-000236	C-CER,CHIP;0.1nF,5%,50V,C0G,1608	1	SA	
R6SW	2007-000034	R-CHIP;1ohm,5%,1/4W,TP,3216	1	SA		RC60	2203-006361	C-CER,CHIP;1000nF,10%,10V,X5R,TP,2	1	SA	
R7RR	2007-000070	R-CHIP;0ohm,5%,1/10W,TP,1608	1	SA		RC61	2203-000257	C-CER,CHIP;10nF,10%,50V,X7R,TP,1608	1	SA	
R8C	2007-000462	R-CHIP;18ohm,5%,1/8W,TP,2012	1	SA		RC62	2203-005148	C-CER,CHIP;100nF,10%,16V,X7R,TP,160	1	SA	
R8FL	2007-000462	R-CHIP;18ohm,5%,1/8W,TP,2012	1	SA		RC63	2203-001652	C-CER,CHIP;470nF,+80-20%,16V,Y5V,16	1	SA	
R8RL	2007-000462	R-CHIP;18ohm,5%,1/8W,TP,2012	1	SA		RC64	2203-000257	C-CER,CHIP;10nF,10%,50V,X7R,TP,1608	1	SA	
R8RR	2007-000034	R-CHIP;1ohm,5%,1/4W,TP,3216	1	SA		RC65	2203-001652	C-CER,CHIP;470nF,+80-20%,16V,Y5V,16	1	SA	
R8SW	2007-000462	R-CHIP;18ohm,5%,1/8W,TP,2012	1	SA		RC66	2203-000257	C-CER,CHIP;10nF,10%,50V,X7R,TP,1608	1	SA	
R9C	2007-000462	R-CHIP;18ohm,5%,1/8W,TP,2012	1	SA		RC67	2203-006361	C-CER,CHIP;1000nF,10%,10V,X5R,TP,2	1	SA	
R9FL	2007-000462	R-CHIP;18ohm,5%,1/8W,TP,2012	1	SA		RC68	2203-005148	C-CER,CHIP;100nF,10%,16V,X7R,TP,160	1	SA	
R9RL	2007-000462	R-CHIP;18ohm,5%,1/8W,TP,2012	1	SA		RC69	2203-001126	C-CER,CHIP;0.68nF,10%,50V,X7R,1608	1	SA	
R9RR	2007-000312	R-CHIP;10ohm,5%,1/4W,TP,3216	1	SA		RCRC1	2203-005934	C-CER,CHIP;1000nF,10%,6.3V,X7R,321	1	SA	
R9SW	2007-000462	R-CHIP;18ohm,5%,1/8W,TP,2012	1	SA		RCRC2	2203-005934	C-CER,CHIP;1000nF,10%,6.3V,X7R,321	1	SA	
RB02	2703-003362	INDUCTOR-SMD;4.7uH,20%,7070	1	SA		RD02	0407-000116	DIODE-ARRAY;KDS181, DAP202K,80V,100	1	SA	
RB03	3301-001495	BEAD-SMD;120ohm,2012,2500mA,TP,115o	1	SA		RD2	0402-000309	DIODE-RECTIFIER;1SR154-400,400V,1A,	1	SA	
RB04	3301-001495	BEAD-SMD;120ohm,2012,2500mA,TP,115o	1	SA		RESETC1	2401-000651	C-AL;2.2uF,20%,50V,GP,TP,4x7.5	1	SA	
RB05	3301-001069	BEAD-SMD;120ohm,1.6x0.8x0.8mm,200mA	1	SA		RESETC2	2203-005148	C-CER,CHIP;100nF,10%,16V,X7R,TP,160	1	SA	
RB06	3301-001069	BEAD-SMD;120ohm,1.6x0.8x0.8mm,200mA	1	SA		RESETC3	2203-005148	C-CER,CHIP;100nF,10%,16V,X7R,TP,160	1	SA	
RC01	2401-001355	C-AL;470uF,20%,10V,GP,TP,8x11.5mm,5	1	SA		RESETIC1	1203-003526	IC-VOL. DETECTOR;KIA7029AP,TO-92,3P	1	SA	
RC02	2203-000257	C-CER,CHIP;10nF,10%,50V,X7R,TP,1608	1	SA		RESETR1	2007-000094	R-CHIP;22Kohm,5%,1/10W,TP,1608	1	SA	
RC03	2203-000189	C-CER,CHIP;100nF,+80-20%,25V,Y5V,16	1	SA		RESQ1	1203-003526	IC-VOL. DETECTOR;KIA7029AP,TO-92,3P	1	SA	
RC08	2203-005148	C-CER,CHIP;100nF,10%,16V,X7R,TP,160	1	SA		RIC3	1201-001842	IC-OP AMP;TL3472CD,SO,TP,8P,-,DUAL,	1	SA	
						RIC4	1003-001978	IC-MOTOR DRIVER;AM5766,H5OP28H,28P,	1	SA	

Loc. No.	Part No.	Description;Specification	Q'ty	SNA	Remark	Loc. No.	Part No.	Description;Specification	Q'ty	SNA	Remark
RQ01	0504-000128	TR-DIGITAL,-,NPN,200MW,22K/22K,SOT-	1	SA		RR90	2007-000084	R-CHIP;4.7Kohm,5%,1/10W,TP,1608	1	SA	
RQ02	0504-000128	TR-DIGITAL,-,NPN,200MW,22K/22K,SOT-	1	SA		RR91	2007-000074	R-CHIP;100ohm,5%,1/10W,TP,1608	1	SA	
RQ03	0504-000128	TR-DIGITAL,-,NPN,200MW,22K/22K,SOT-	1	SA		RR92	2007-000074	R-CHIP;100ohm,5%,1/10W,TP,1608	1	SA	
RQ04	0501-000632	TR-SMALL SIGNAL;2SB1197K,PNP,200mW,	1	SA		RR93	2007-000097	R-CHIP;47Kohm,5%,1/10W,TP,1608	1	SA	
RQ05	0501-000632	TR-SMALL SIGNAL;2SB1197K,PNP,200mW,	1	SA		RR94	2007-000097	R-CHIP;47Kohm,5%,1/10W,TP,1608	1	SA	
RR100	2007-000078	R-CHIP;1Kohm,5%,1/10W,TP,1608	1	SA		RR97	2007-000098	R-CHIP;56Kohm,5%,1/10W,TP,1608	1	SA	
RR114	2007-000113	R-CHIP;33ohm,5%,1/10W,TP,1608	1	SA		RR98	2007-000130	R-CHIP;39Kohm,5%,1/10W,TP,1608	1	SA	
RR13	2007-000094	R-CHIP;22Kohm,5%,1/10W,TP,1608	1	SA		RR99	2007-000077	R-CHIP;470ohm,5%,1/10W,TP,1608	1	SA	
RR15	2007-000087	R-CHIP;6.8Kohm,5%,1/10W,TP,1608	1	SA		SC1	2203-000236	C-CER,CHIP;0.1nF,5%,50V,C0G,1608	1	SA	
RR1A	2007-000094	R-CHIP;22Kohm,5%,1/10W,TP,1608	1	SA		SC10	2203-000236	C-CER,CHIP;0.1nF,5%,50V,C0G,1608	1	SA	
RR24	2007-000092	R-CHIP;15Kohm,5%,1/10W,TP,1608	1	SA		SC11	2203-000236	C-CER,CHIP;0.1nF,5%,50V,C0G,1608	1	SA	
RR25	2007-000504	R-CHIP;2.2ohm,5%,1/4W,TP,3216	1	SA		SC12	2203-000998	C-CER,CHIP;0.047nF,5%,50V,C0G,1608	1	SA	
RR26	2007-000504	R-CHIP;2.2ohm,5%,1/4W,TP,3216	1	SA		SC13	2203-000236	C-CER,CHIP;0.1nF,5%,50V,C0G,1608	1	SA	
RR27	2007-000683	R-CHIP;3.3Kohm,1%,1/10W,TP,1608	1	SA		SC14	2203-000236	C-CER,CHIP;0.1nF,5%,50V,C0G,1608	1	SA	
RR2A	2007-000078	R-CHIP;1Kohm,5%,1/10W,TP,1608	1	SA		SC15	2203-000236	C-CER,CHIP;0.1nF,5%,50V,C0G,1608	1	SA	
RR32	2007-000308	R-CHIP;10ohm,5%,1/8W,TP,2012	1	SA		SC2	2203-000236	C-CER,CHIP;0.1nF,5%,50V,C0G,1608	1	SA	
RR33	2007-000308	R-CHIP;10ohm,5%,1/8W,TP,2012	1	SA		SC3	2401-003221	C-AL;100uF,20%,16V,GP,TP,8X5,2.5	1	SA	
RR34	2007-000090	R-CHIP;10Kohm,5%,1/10W,TP,1608	1	SA		SC4	2401-003221	C-AL;100uF,20%,16V,GP,TP,8X5,2.5	1	SA	
RR35	2007-000075	R-CHIP;220ohm,5%,1/10W,TP,1608	1	SA		SC5	2203-000998	C-CER,CHIP;0.047nF,5%,50V,C0G,1608	1	SA	
RR36	2007-000097	R-CHIP;47Kohm,5%,1/10W,TP,1608	1	SA		SC6	2401-003221	C-AL;100uF,20%,16V,GP,TP,8X5,2.5	1	SA	
RR37	2007-000308	R-CHIP;10ohm,5%,1/8W,TP,2012	1	SA		SC7	2203-000998	C-CER,CHIP;0.047nF,5%,50V,C0G,1608	1	SA	
RR38	2007-000308	R-CHIP;10ohm,5%,1/8W,TP,2012	1	SA		SC8	2203-000998	C-CER,CHIP;0.047nF,5%,50V,C0G,1608	1	SA	
RR39	2007-000090	R-CHIP;10Kohm,5%,1/10W,TP,1608	1	SA		SC9	2203-000236	C-CER,CHIP;0.1nF,5%,50V,C0G,1608	1	SA	
RR3A	2007-000109	R-CHIP;1Mohm,5%,1/10W,TP,1608	1	SA		SCART3	3722-001373	JACK-SCART;21P,SN,BLACK	1	SA	
RR40	2007-000075	R-CHIP;220ohm,5%,1/10W,TP,1608	1	SA		SCREW	6003-000276	SCREW-TAPTYPE;BH,+,-,B,M3,L10,ZPC(W	4	SA	
RR41	2007-000097	R-CHIP;47Kohm,5%,1/10W,TP,1608	1	SA		SDR1	2007-000070	R-CHIP;0ohm,5%,1/10W,TP,1608	1	SA	
RR42	2007-000078	R-CHIP;1Kohm,5%,1/10W,TP,1608	1	SA		SIC1	1201-000163	IC-OP AMP;4560,SOP,8P,173ML,DUAL,1	1	SA	
RR43	2007-000060	R-CHIP;100Kohm,1%,1/10W,TP,1608	1	SA		SL1	2703-000404	INDUCTOR-SMD;220uH,10%,3225	1	SA	
RR44	2007-000060	R-CHIP;100Kohm,1%,1/10W,TP,1608	1	SA		SL2	2703-000404	INDUCTOR-SMD;220uH,10%,3225	1	SA	
RR45	2007-000060	R-CHIP;100Kohm,1%,1/10W,TP,1608	1	SA		SPK1	3716-001287	TERMINAL-BLOCK;WIRE TYPE,12P,43.2 m	1	SA	
RR46	2007-000060	R-CHIP;100Kohm,1%,1/10W,TP,1608	1	SA		SR1	2007-000309	R-CHIP;10ohm,5%,1/10W,TP,1608	1	SA	
RR47	2007-000084	R-CHIP;4.7Kohm,5%,1/10W,TP,1608	1	SA		SR10	2007-000094	R-CHIP;22Kohm,5%,1/10W,TP,1608	1	SA	
RR48	2007-000124	R-CHIP;2.2Kohm,5%,1/10W,TP,1608	1	SA		SR11	2007-000090	R-CHIP;10Kohm,5%,1/10W,TP,1608	1	SA	
RR49	2007-000458	R-CHIP;18Kohm,5%,1/10W,TP,1608	1	SA		SR12	2007-000090	R-CHIP;10Kohm,5%,1/10W,TP,1608	1	SA	
RR4A	2007-000090	R-CHIP;10Kohm,5%,1/10W,TP,1608	1	SA		SR13	2007-000132	R-CHIP;180Kohm,5%,1/10W,TP,1608	1	SA	
RR50	2007-000109	R-CHIP;1Mohm,5%,1/10W,TP,1608	1	SA		SR14	2007-000132	R-CHIP;180Kohm,5%,1/10W,TP,1608	1	SA	
RR51	2007-000094	R-CHIP;22Kohm,5%,1/10W,TP,1608	1	SA		SR15	2007-000094	R-CHIP;22Kohm,5%,1/10W,TP,1608	1	SA	
RR54	2007-000078	R-CHIP;1Kohm,5%,1/10W,TP,1608	1	SA		SR16	2007-000094	R-CHIP;22Kohm,5%,1/10W,TP,1608	1	SA	
RR56	2007-000082	R-CHIP;3.3Kohm,5%,1/10W,TP,1608	1	SA		SR17	2007-000090	R-CHIP;10Kohm,5%,1/10W,TP,1608	1	SA	
RR57	2007-000120	R-CHIP;680ohm,5%,1/10W,TP,1608	1	SA		SR18	2007-000132	R-CHIP;180Kohm,5%,1/10W,TP,1608	1	SA	
RR58	2007-000090	R-CHIP;10Kohm,5%,1/10W,TP,1608	1	SA		SR19	2007-000102	R-CHIP;100Kohm,5%,1/10W,TP,1608	1	SA	
RR59	2007-000090	R-CHIP;10Kohm,5%,1/10W,TP,1608	1	SA		SR2	2007-000113	R-CHIP;33ohm,5%,1/10W,TP,1608	1	SA	
RR5A	2007-000122	R-CHIP;1.2Kohm,5%,1/10W,TP,1608	1	SA		SR20	2007-000132	R-CHIP;180Kohm,5%,1/10W,TP,1608	1	SA	
RR60	2007-000071	R-CHIP;22ohm,5%,1/10W,TP,1608	1	SA		SR21	2007-000094	R-CHIP;22Kohm,5%,1/10W,TP,1608	1	SA	
RR61	2007-000078	R-CHIP;1Kohm,5%,1/10W,TP,1608	1	SA		SR3	2007-000090	R-CHIP;10Kohm,5%,1/10W,TP,1608	1	SA	
RR62	2007-000090	R-CHIP;10Kohm,5%,1/10W,TP,1608	1	SA		SR4	2007-000090	R-CHIP;10Kohm,5%,1/10W,TP,1608	1	SA	
RR63	2007-000071	R-CHIP;22ohm,5%,1/10W,TP,1608	1	SA		SR5	2007-000113	R-CHIP;33ohm,5%,1/10W,TP,1608	1	SA	
RR64	2007-000078	R-CHIP;1Kohm,5%,1/10W,TP,1608	1	SA		SR6	2007-000102	R-CHIP;100Kohm,5%,1/10W,TP,1608	1	SA	
RR65	2007-000078	R-CHIP;1Kohm,5%,1/10W,TP,1608	1	SA		SR7	2007-000097	R-CHIP;47Kohm,5%,1/10W,TP,1608	1	SA	
RR66	2007-000090	R-CHIP;10Kohm,5%,1/10W,TP,1608	1	SA		SR8	2007-000097	R-CHIP;47Kohm,5%,1/10W,TP,1608	1	SA	
RR73	2007-000107	R-CHIP;470Kohm,5%,1/10W,TP,1608	1	SA		SR9	2007-000090	R-CHIP;10Kohm,5%,1/10W,TP,1608	1	SA	
RR74	2007-000090	R-CHIP;10Kohm,5%,1/10W,TP,1608	1	SA		SW1	2007-000070	R-CHIP;0ohm,5%,1/10W,TP,1608	1	SA	
RR78	2007-000090	R-CHIP;10Kohm,5%,1/10W,TP,1608	1	SA		TOUR3	2007-000074	R-CHIP;100ohm,5%,1/10W,TP,1608	1	SA	
RR7A	2007-000129	R-CHIP;27Kohm,5%,1/10W,TP,1608	1	SA		TOUR4	2007-000074	R-CHIP;100ohm,5%,1/10W,TP,1608	1	SA	
RR86	2007-000122	R-CHIP;1.2Kohm,5%,1/10W,TP,1608	1	SA		TUC1	2203-005148	C-CER,CHIP;100nF,10%,16V,X7R,TP,160	1	SA	
RR87	2007-000078	R-CHIP;1Kohm,5%,1/10W,TP,1608	1	SA		TUC3	2401-001508	C-AL;47uF,20%,16V,GP,TP,6.3x5.5	1	SA	
RR88	2007-000122	R-CHIP;1.2Kohm,5%,1/10W,TP,1608	1	SA		TUNER1	AH40-00152A	TUNER-MODULE;KST-MW104FV1-S58,MAX-D	1	SA	
RR89	2007-000078	R-CHIP;1Kohm,5%,1/10W,TP,1608	1	SA		TUQ1	0505-001930	FET-SILICON;MCH3319P,-12V,-2.6A,MA	1	SA	

Exploded View & Part List

Loc. No.	Part No.	Description;Specification	Q'ty	SNA	Remark	Loc. No.	Part No.	Description;Specification	Q'ty	SNA	Remark
TUQ2	0504-000128	TR-DIGITAL,-,NPN,200MW,22K/22K,SOT-	1	SA		UR25	2007-000102	R-CHIP;100Kohm,5%,1/10W,TP,1608	1	SA	
TUR1	2007-000082	R-CHIP;3.3Kohm,5%,1/10W,TP,1608	1	SA		UR26	2007-000070	R-CHIP;0ohm,5%,1/10W,TP,1608	1	SA	
TUR10	2007-000082	R-CHIP;3.3Kohm,5%,1/10W,TP,1608	1	SA		UR27	2011-001344	R-NETWORK;100ohm,5%,1/16W,L,CHIP,8P	1	SNA	
TUR11	2007-000082	R-CHIP;3.3Kohm,5%,1/10W,TP,1608	1	SA		UR3	2007-000078	R-CHIP;1Kohm,5%,1/10W,TP,1608	1	SA	
TUR12	2007-000082	R-CHIP;3.3Kohm,5%,1/10W,TP,1608	1	SA		UR31	2011-001344	R-NETWORK;100ohm,5%,1/16W,L,CHIP,8P	1	SNA	
TUR13	2007-000090	R-CHIP;10Kohm,5%,1/10W,TP,1608	1	SA		UR33A	2007-000078	R-CHIP;1Kohm,5%,1/10W,TP,1608	1	SA	
TUR3	2007-000074	R-CHIP;100ohm,5%,1/10W,TP,1608	1	SA		UR38	2007-000074	R-CHIP;100ohm,5%,1/10W,TP,1608	1	SA	
TUR4	2007-000074	R-CHIP;100ohm,5%,1/10W,TP,1608	1	SA		UR4	2007-000074	R-CHIP;100ohm,5%,1/10W,TP,1608	1	SA	
TUR5	2007-000074	R-CHIP;100ohm,5%,1/10W,TP,1608	1	SA		UR40	2007-000084	R-CHIP;4.7Kohm,5%,1/10W,TP,1608	1	SA	
TUR6	2007-000074	R-CHIP;100ohm,5%,1/10W,TP,1608	1	SA		UR42	2011-001344	R-NETWORK;100ohm,5%,1/16W,L,CHIP,8P	1	SNA	
TUR9	2007-000082	R-CHIP;3.3Kohm,5%,1/10W,TP,1608	1	SA		UR43	2007-000070	R-CHIP;0ohm,5%,1/10W,TP,1608	1	SA	
UC1	2203-001607	C-CER,CHIP;0.22nF,5%,50V,NPO,1608	1	SA		UR44	2007-000070	R-CHIP;0ohm,5%,1/10W,TP,1608	1	SA	
UC15	2203-005148	C-CER,CHIP;100nF,10%,16V,X7R,TP,160	1	SA		UR46	2007-000074	R-CHIP;100ohm,5%,1/10W,TP,1608	1	SA	
UC16	2203-005148	C-CER,CHIP;100nF,10%,16V,X7R,TP,160	1	SA		UR47	2007-000070	R-CHIP;0ohm,5%,1/10W,TP,1608	1	SA	
UC1A	2203-005148	C-CER,CHIP;100nF,10%,16V,X7R,TP,160	1	SA		UR48	2007-000074	R-CHIP;100ohm,5%,1/10W,TP,1608	1	SA	
UC22	2203-000972	C-CER,CHIP;47nF,10%,16V,X7R,1608	1	SA		UR49	2007-000074	R-CHIP;100ohm,5%,1/10W,TP,1608	1	SA	
UC3	2203-001607	C-CER,CHIP;0.22nF,5%,50V,NPO,1608	1	SA		UR4A	2007-000084	R-CHIP;4.7Kohm,5%,1/10W,TP,1608	1	SA	
UC39	2203-005148	C-CER,CHIP;100nF,10%,16V,X7R,TP,160	1	SA		UR5	2007-000074	R-CHIP;100ohm,5%,1/10W,TP,1608	1	SA	
UC4	2203-000257	C-CER,CHIP;10nF,10%,50V,X7R,TP,1608	1	SA		UR50	2007-000070	R-CHIP;0ohm,5%,1/10W,TP,1608	1	SA	
UC55	2203-005148	C-CER,CHIP;100nF,10%,16V,X7R,TP,160	1	SA		UR51	2007-000070	R-CHIP;0ohm,5%,1/10W,TP,1608	1	SA	
UC88	2203-005148	C-CER,CHIP;100nF,10%,16V,X7R,TP,160	1	SA		UR52	2007-000074	R-CHIP;100ohm,5%,1/10W,TP,1608	1	SA	
UC9	2203-000257	C-CER,CHIP;10nF,10%,50V,X7R,TP,1608	1	SA		UR53	2007-000074	R-CHIP;100ohm,5%,1/10W,TP,1608	1	SA	
UCC10	2203-006361	C-CER,CHIP;10000nF,10%,10V,X5R,TP,2	1	SA		UR54	2007-000074	R-CHIP;100ohm,5%,1/10W,TP,1608	1	SA	
UCC11	2203-005148	C-CER,CHIP;100nF,10%,16V,X7R,TP,160	1	SA		UR55	2007-000097	R-CHIP;47Kohm,5%,1/10W,TP,1608	1	SA	
UCC12	2203-006361	C-CER,CHIP;10000nF,10%,10V,X5R,TP,2	1	SA		UR57	2011-001344	R-NETWORK;100ohm,5%,1/16W,L,CHIP,8P	1	SNA	
UCC3	2401-001355	C-AL;470uF,20%,10V,GP,TP,8x11.5mm,5	1	SA		UR6	2007-000084	R-CHIP;4.7Kohm,5%,1/10W,TP,1608	1	SA	
UCC4	2203-005148	C-CER,CHIP;100nF,10%,16V,X7R,TP,160	1	SA		UR61	2007-000074	R-CHIP;100ohm,5%,1/10W,TP,1608	1	SA	
UCC7	2203-006361	C-CER,CHIP;10000nF,10%,10V,X5R,TP,2	1	SA		UR63	2007-000097	R-CHIP;47Kohm,5%,1/10W,TP,1608	1	SA	
UCC8	2203-005148	C-CER,CHIP;100nF,10%,16V,X7R,TP,160	1	SA		UR64	2007-000074	R-CHIP;100ohm,5%,1/10W,TP,1608	1	SA	
UD4	0401-001090	DIODE-SWITCHING;1SS355,80V,100MA,SO	1	SA		UR65	2007-000074	R-CHIP;100ohm,5%,1/10W,TP,1608	1	SA	
UD5	0401-001090	DIODE-SWITCHING;1SS355,80V,100MA,SO	1	SA		UR6A	2007-000078	R-CHIP;1Kohm,5%,1/10W,TP,1608	1	SA	
UD6	0401-001090	DIODE-SWITCHING;1SS355,80V,100MA,SO	1	SA		UR7	2007-000084	R-CHIP;4.7Kohm,5%,1/10W,TP,1608	1	SA	
UD7	0401-001090	DIODE-SWITCHING;1SS355,80V,100MA,SO	1	SA		UR70	2011-001344	R-NETWORK;100ohm,5%,1/16W,L,CHIP,8P	1	SNA	
UIC1	0903-001565	IC-MICROCONTROLLER;LC87F5NC8AVU,QFP	1	SA		UR70A	2007-000078	R-CHIP;1Kohm,5%,1/10W,TP,1608	1	SA	
UL1	2007-000070	R-CHIP;0ohm,5%,1/10W,TP,1608	1	SA		UR71A	2007-000076	R-CHIP;330ohm,5%,1/10W,TP,1608	1	SA	
UL2	2007-000070	R-CHIP;0ohm,5%,1/10W,TP,1608	1	SA		UR72A	2007-000078	R-CHIP;1Kohm,5%,1/10W,TP,1608	1	SA	
UL3	2007-000070	R-CHIP;0ohm,5%,1/10W,TP,1608	1	SA		UR73A	2007-000078	R-CHIP;1Kohm,5%,1/10W,TP,1608	1	SA	
UL4	2007-000070	R-CHIP;0ohm,5%,1/10W,TP,1608	1	SA		UR74	2007-000074	R-CHIP;100ohm,5%,1/10W,TP,1608	1	SA	
UL5	2007-000070	R-CHIP;0ohm,5%,1/10W,TP,1608	1	SA		UR75	2007-000074	R-CHIP;100ohm,5%,1/10W,TP,1608	1	SA	
UR1	2007-000078	R-CHIP;1Kohm,5%,1/10W,TP,1608	1	SA		UR76	2007-000074	R-CHIP;100ohm,5%,1/10W,TP,1608	1	SA	
UR10	2007-000081	R-CHIP;2.7Kohm,5%,1/10W,TP,1608	1	SA		UR77	2011-001344	R-NETWORK;100ohm,5%,1/16W,L,CHIP,8P	1	SNA	
UR118	2007-000074	R-CHIP;100ohm,5%,1/10W,TP,1608	1	SA		UR8	2007-000081	R-CHIP;2.7Kohm,5%,1/10W,TP,1608	1	SA	
UR12	2007-000109	R-CHIP;1Mohm,5%,1/10W,TP,1608	1	SA		UR81	2007-000074	R-CHIP;100ohm,5%,1/10W,TP,1608	1	SA	
UR13	2007-000402	R-CHIP;150ohm,5%,1/10W,TP,1608	1	SA		UR82	2007-000074	R-CHIP;100ohm,5%,1/10W,TP,1608	1	SA	
UR130	2007-000078	R-CHIP;1Kohm,5%,1/10W,TP,1608	1	SA		UR84	2011-001344	R-NETWORK;100ohm,5%,1/16W,L,CHIP,8P	1	SNA	
UR134	2007-000097	R-CHIP;47Kohm,5%,1/10W,TP,1608	1	SA		UR9	2007-000078	R-CHIP;1Kohm,5%,1/10W,TP,1608	1	SA	
UR15	2007-000090	R-CHIP;10Kohm,5%,1/10W,TP,1608	1	SA		UR93	2007-000074	R-CHIP;100ohm,5%,1/10W,TP,1608	1	SA	
UR16	2007-000074	R-CHIP;100ohm,5%,1/10W,TP,1608	1	SA		URM1	2007-000074	R-CHIP;100ohm,5%,1/10W,TP,1608	1	SA	
UR17	2007-000090	R-CHIP;10Kohm,5%,1/10W,TP,1608	1	SA		URM2	2007-000074	R-CHIP;100ohm,5%,1/10W,TP,1608	1	SA	
UR18	2007-000090	R-CHIP;10Kohm,5%,1/10W,TP,1608	1	SA		URM3	2007-000074	R-CHIP;100ohm,5%,1/10W,TP,1608	1	SA	
UR2	2007-000078	R-CHIP;1Kohm,5%,1/10W,TP,1608	1	SA		URM4	2007-000074	R-CHIP;100ohm,5%,1/10W,TP,1608	1	SA	
UR20	2007-000074	R-CHIP;100ohm,5%,1/10W,TP,1608	1	SA		VC1	2203-005148	C-CER,CHIP;100nF,10%,16V,X7R,TP,160	1	SA	
UR20A	2007-000090	R-CHIP;10Kohm,5%,1/10W,TP,1608	1	SA		VC10	2203-005065	C-CER,CHIP;1000nF,+80-20%,10V,Y5V,1	1	SA	
UR20C	2007-000090	R-CHIP;10Kohm,5%,1/10W,TP,1608	1	SA		VC11	2203-006361	C-CER,CHIP;10000nF,10%,10V,X5R,TP,2	1	SA	
UR21	2007-000074	R-CHIP;100ohm,5%,1/10W,TP,1608	1	SA		VC12	2203-005148	C-CER,CHIP;100nF,10%,16V,X7R,TP,160	1	SA	
UR22	2007-000084	R-CHIP;4.7Kohm,5%,1/10W,TP,1608	1	SA		VC13	2203-005148	C-CER,CHIP;100nF,10%,16V,X7R,TP,160	1	SA	
UR22A	2007-000078	R-CHIP;1Kohm,5%,1/10W,TP,1608	1	SA		VC14	2401-001092	C-AL;330uF,20%,10V,GP,-,8x11.5,2.5m	1	SA	
UR23	2007-000102	R-CHIP;100Kohm,5%,1/10W,TP,1608	1	SA		VC15	2401-001092	C-AL;330uF,20%,10V,GP,-,8x11.5,2.5m	1	SA	
UR24	2007-000102	R-CHIP;100Kohm,5%,1/10W,TP,1608	1	SA							



Loc. No.	Part No.	Description;Specification	Q'ty	SNA	Remark	Loc. No.	Part No.	Description;Specification	Q'ty	SNA	Remark
VC16	2401-001092	C-AL;330uF,20%,10V,GP,-,8x11.5,2.5m	1	SA		VR16	2007-001167	R-CHIP;75ohm,5%,1/10W,TP,1608	1	SA	
VC17	2401-000042	C-AL;100uF,20%,16V,GP,TP,6.3x7,5	1	SA		VR17	2007-001167	R-CHIP;75ohm,5%,1/10W,TP,1608	1	SA	
VC18	2401-000042	C-AL;100uF,20%,16V,GP,TP,6.3x7,5	1	SA		VR18	2007-001167	R-CHIP;75ohm,5%,1/10W,TP,1608	1	SA	
VC19	2401-000042	C-AL;100uF,20%,16V,GP,TP,6.3x7,5	1	SA		VR2	2007-001167	R-CHIP;75ohm,5%,1/10W,TP,1608	1	SA	
VC2	2203-006361	C-CER,CHIP;10000nF,10%,10V,X5R,TP,2	1	SA		VR20	2007-000084	R-CHIP;4.7Kohm,5%,1/10W,TP,1608	1	SA	
VC20	2203-006361	C-CER,CHIP;10000nF,10%,10V,X5R,TP,2	1	SA		VR21	2007-000097	R-CHIP;47Kohm,5%,1/10W,TP,1608	1	SA	
VC21	2203-000783	C-CER,CHIP;0.33nF,5%,50V,C0G,1608	1	SA		VR3	2007-001167	R-CHIP;75ohm,5%,1/10W,TP,1608	1	SA	
VC22	2401-000042	C-AL;100uF,20%,16V,GP,TP,6.3x7,5	1	SA		VR30	2007-000078	R-CHIP;1Kohm,5%,1/10W,TP,1608	1	SA	
VC24	2203-000783	C-CER,CHIP;0.33nF,5%,50V,C0G,1608	1	SA		VR31	2007-000078	R-CHIP;1Kohm,5%,1/10W,TP,1608	1	SA	
VC26	2203-005148	C-CER,CHIP;100nF,10%,16V,X7R,TP,160	1	SA		VR32	2007-000078	R-CHIP;1Kohm,5%,1/10W,TP,1608	1	SA	
VC3	2203-000280	C-CER,CHIP;0.01nF,0.5pF,50V,C0G,160	1	SA		VR38	2007-000082	R-CHIP;3.3Kohm,5%,1/10W,TP,1608	1	SA	
VC30	2203-005148	C-CER,CHIP;10nF,10%,16V,X7R,TP,1608	1	SA		VR39	2007-000119	R-CHIP;560ohm,5%,1/10W,TP,1608	1	SA	
VC38	2401-001092	C-AL;330uF,20%,10V,GP,-,8x11.5,2.5m	1	SA		VR4	2007-001167	R-CHIP;75ohm,5%,1/10W,TP,1608	1	SA	
VC4	2203-000280	C-CER,CHIP;0.01nF,0.5pF,50V,C0G,160	1	SA		VR42	2007-000102	R-CHIP;100Kohm,5%,1/10W,TP,1608	1	SA	
VC40	2203-005148	C-CER,CHIP;100nF,10%,16V,X7R,TP,160	1	SA		VR44	2007-000084	R-CHIP;4.7Kohm,5%,1/10W,TP,1608	1	SA	
VC45	2203-000257	C-CER,CHIP;10nF,10%,50V,X7R,TP,1608	1	SA		VR48	2007-000090	R-CHIP;10Kohm,5%,1/10W,TP,1608	1	SA	
VC46	2203-000257	C-CER,CHIP;10nF,10%,50V,X7R,TP,1608	1	SA		VR5	2007-001167	R-CHIP;75ohm,5%,1/10W,TP,1608	1	SA	
VC49	2203-000280	C-CER,CHIP;0.01nF,0.5pF,50V,C0G,160	1	SA		VR59	2007-000090	R-CHIP;10Kohm,5%,1/10W,TP,1608	1	SA	
VC5	2203-000280	C-CER,CHIP;0.01nF,0.5pF,50V,C0G,160	1	SA		VR6	2007-001167	R-CHIP;75ohm,5%,1/10W,TP,1608	1	SA	
VC50	2203-000280	C-CER,CHIP;0.01nF,0.5pF,50V,C0G,160	1	SA		VR60	2007-000090	R-CHIP;10Kohm,5%,1/10W,TP,1608	1	SA	
VC51	2203-000280	C-CER,CHIP;0.01nF,0.5pF,50V,C0G,160	1	SA		VR61	2007-000075	R-CHIP;220ohm,5%,1/10W,TP,1608	1	SA	
VC6	2203-000280	C-CER,CHIP;0.01nF,0.5pF,50V,C0G,160	1	SA		VR62	2007-000309	R-CHIP;10ohm,5%,1/10W,TP,1608	1	SA	
VC7	2203-005065	C-CER,CHIP;1000nF,+80-20%,10V,Y5V,1	1	SA		VR66	2007-001167	R-CHIP;75ohm,5%,1/10W,TP,1608	1	SA	
VC8	2203-005065	C-CER,CHIP;1000nF,+80-20%,10V,Y5V,1	1	SA		VR7	2007-001167	R-CHIP;75ohm,5%,1/10W,TP,1608	1	SA	
VC9	2203-005065	C-CER,CHIP;1000nF,+80-20%,10V,Y5V,1	1	SA		VR8	2007-001167	R-CHIP;75ohm,5%,1/10W,TP,1608	1	SA	
VIC1	1204-001978	IC-VIDEO PROCESS;LA73054,36P,SSOP,7	1	SA		VRC20	2203-005065	C-CER,CHIP;1000nF,+80-20%,10V,Y5V,1	1	SA	
VJ4(OOPEN)	3722-002448	JACK-PIN;3P,NI,YEL/WH/RED,ANGLE	1	SA		VRC22	2203-005065	C-CER,CHIP;1000nF,+80-20%,10V,Y5V,1	1	SA	
VJP1	2007-000029	R-CHIP;0ohm,5%,1/8W,TP,2012	1	SA		WTL1	3301-001495	BEAD-SMD;120ohm,2012,2500mA,TP,115o	1	SA	
VJP2	2007-000029	R-CHIP;0ohm,5%,1/8W,TP,2012	1	SA		X-TAL1	2802-001174	RESONATOR-CERAMIC;10MHZ,0.5%,BK,8X3	1	SA	
VJP3	3301-001495	BEAD-SMD;120ohm,2012,2500mA,TP,115o	1	SA		ZAC1	2401-000651	C-AL;2.2uF,20%,50V,GP,TP,4x7,5	1	SA	
VL1	3301-001495	BEAD-SMD;120ohm,2012,2500mA,TP,115o	1	SA		ZAC10	2203-000491	C-CER,CHIP;2.2nF,10%,50V,X7R,1608	1	SA	
VL2	3301-001495	BEAD-SMD;120ohm,2012,2500mA,TP,115o	1	SA		ZAC11	2401-000414	C-AL;10uF,20%,16V,GP,TP,4x7,5	1	SA	
VL20	2703-000275	INDUCTOR-SMD;33UH,10%,2012	1	SA		ZAC12	2203-005148	C-CER,CHIP;100nF,10%,16V,X7R,TP,160	1	SA	
VL21	2703-000275	INDUCTOR-SMD;33UH,10%,2012	1	SA		ZAC13	2401-001508	C-AL;47uF,20%,16V,GP,TP,6.3x5,5	1	SA	
VL26	3301-001495	BEAD-SMD;120ohm,2012,2500mA,TP,115o	1	SA		ZAC14	2203-005148	C-CER,CHIP;100nF,10%,16V,X7R,TP,160	1	SA	
VL27	2703-002238	INDUCTOR-SMD;1UH,5%,2012	1	SA		ZAC15	2401-000651	C-AL;2.2uF,20%,50V,GP,TP,4x7,5	1	SA	
VL28	2703-002238	INDUCTOR-SMD;1UH,5%,2012	1	SA		ZAC16	2203-000783	C-CER,CHIP;0.33nF,5%,50V,C0G,1608	1	SA	
VL29	2703-002238	INDUCTOR-SMD;1UH,5%,2012	1	SA		ZAC18	2401-001508	C-AL;47uF,20%,16V,GP,TP,6.3x5,5	1	SA	
VL3	2703-002238	INDUCTOR-SMD;1UH,5%,2012	1	SA		ZAC19	2401-000651	C-AL;2.2uF,20%,50V,GP,TP,4x7,5	1	SA	
VL30	3301-001495	BEAD-SMD;120ohm,2012,2500mA,TP,115o	1	SA		ZAC2	2401-000651	C-AL;2.2uF,20%,50V,GP,TP,4x7,5	1	SA	
VL31	3301-001495	BEAD-SMD;120ohm,2012,2500mA,TP,115o	1	SA		ZAC20	2203-000236	C-CER,CHIP;0.1nF,5%,50V,C0G,1608	1	SA	
VL4	2703-002238	INDUCTOR-SMD;1UH,5%,2012	1	SA		ZAC21	2007-000070	R-CHIP;0ohm,5%,1/10W,TP,1608	1	SA	
VL5	2703-002238	INDUCTOR-SMD;1UH,5%,2012	1	SA		ZAC22	2203-000783	C-CER,CHIP;0.33nF,5%,50V,C0G,1608	1	SA	
VL6	2703-002238	INDUCTOR-SMD;1UH,5%,2012	1	SA		ZAC23	2203-002398	C-CER,CHIP;22nF,10%,50V,X7R,1608	1	SA	
VQ10	0504-000152	TR-DIGITAL;KSR2101,PNP,200mW,4.7K/4	1	SA		ZAC24	2401-000651	C-AL;2.2uF,20%,50V,GP,TP,4x7,5	1	SA	
VQ11	0501-002184	TR-SMALL SIGNAL;KTD1304,NPN,200mW,S	1	SA		ZAC25	2401-000651	C-AL;2.2uF,20%,50V,GP,TP,4x7,5	1	SA	
VQ12	0501-002184	TR-SMALL SIGNAL;KTD1304,NPN,200mW,S	1	SA		ZAC26	2203-005148	C-CER,CHIP;100nF,10%,16V,X7R,TP,160	1	SA	
VQ13	0504-000128	TR-DIGITAL;-NPN,200MW,22K/22K,SOT-	1	SA		ZAC27	2203-005148	C-CER,CHIP;100nF,10%,16V,X7R,TP,160	1	SA	
VQ14	0501-002184	TR-SMALL SIGNAL;KTD1304,NPN,200mW,S	1	SA		ZAC28	2203-005148	C-CER,CHIP;100nF,10%,16V,X7R,TP,160	1	SA	
VQ15	0504-000128	TR-DIGITAL;-NPN,200MW,22K/22K,SOT-	1	SA		ZAC29	2203-000236	C-CER,CHIP;0.1nF,5%,50V,C0G,1608	1	SA	
VQ7	0501-000341	TR-SMALL SIGNAL;KSC1623-L,NPN,200mW	1	SA		ZAC3	2401-000651	C-AL;2.2uF,20%,50V,GP,TP,4x7,5	1	SA	
VR1	2007-001167	R-CHIP;75ohm,5%,1/10W,TP,1608	1	SA		ZAC4	2401-000651	C-AL;2.2uF,20%,50V,GP,TP,4x7,5	1	SA	
VR10	2007-000125	R-CHIP;3.9Kohm,5%,1/10W,TP,1608	1	SA		ZAC5	2203-005148	C-CER,CHIP;100nF,10%,16V,X7R,TP,160	1	SA	
VR11	2007-000084	R-CHIP;4.7Kohm,5%,1/10W,TP,1608	1	SA		ZAC6	2203-005148	C-CER,CHIP;100nF,10%,16V,X7R,TP,160	1	SA	
VR12	2007-001167	R-CHIP;75ohm,5%,1/10W,TP,1608	1	SA		ZAC7	2401-000042	C-AL;100uF,20%,16V,GP,TP,6.3x7,5	1	SA	
VR13	2007-001167	R-CHIP;75ohm,5%,1/10W,TP,1608	1	SA		ZAC8	2203-006361	C-CER,CHIP;10000nF,10%,10V,X5R,TP,2	1	SA	
VR14	2007-001167	R-CHIP;75ohm,5%,1/10W,TP,1608	1	SA		ZAC9	2203-000491	C-CER,CHIP;2.2nF,10%,50V,X7R,1608	1	SA	
VR15	2007-001167	R-CHIP;75ohm,5%,1/10W,TP,1608	1	SA		ZAL3	3301-001495	BEAD-SMD;120ohm,2012,2500mA,TP,115o	1	SA	
						ZAL7	3301-001495	BEAD-SMD;120ohm,2012,2500mA,TP,115o	1	SA	



Loc. No.	Part No.	Description;Specification	Q'ty	SNA	Remark	Loc. No.	Part No.	Description;Specification	Q'ty	SNA	Remark
	AH30-00099A	MICROPHONE-ASSY;10V,150 to 450uA,2.	1		SA						
	AH39-40001V	CABLE-AUDIO CABLE;1P-1P;3000mm,YELL	1		SA						
	AH42-00021A	ANT FM T;T18011F-1,75 ohm,1800mm	1		SA						
	AH68-00650L	MARK RECYCLE-CARD-WARRANTY;YP-P2,EL	1		SA						
	AH68-02166C	MANUAL USERS;HT-Z320,XEF,FRN/NL/GER	1		SA						
	AH68-50254B	LABEL-SERIAL;T0.1,L10,W45,SME/SEHZ	1.05		SNA						
	<b>AH98-00169B</b>	<b>ASSY LABEL;-HT-Z320R/XEF;-</b>	<b>1</b>		<b>SNA</b>						
	3809-002052	CABLE-FLAT;30V,80,140mm,32P,1.0mm,U	1		SA						
	AH61-02874A	BRACKET-FRONT;HT-Z320,SUS304,0.3T,6	1		SA						
	AH63-01301A	SHEET-SET;HT-Q40	1		SNA						
	AH68-00371A	LABEL-BAR CODE;DVD-611/XAA,MOJO2000	1.05		SNA						
	AH68-01929H	LABEL RATING;HT-A100,ELS,SLIVER PET	1.05		SNA						
	AH68-02188A	LABEL-POP;HT-Z320,W/W,Rainbow sheet	1		SNA						
	AH69-02472C	CUSHION-LEFT;HT-Z320/EXP,EPS,440,49	1		SNA						
	AH69-02473C	CUSHION-RIGHT;HT-Z320/EXP,EPS,440,4	1		SNA						
	3903-000407	CBF-POWER CORD;AT,EU,CP2,HOUSING(2P	1		SA						
	AH69-02475B	CARTON-MASTER;HT-Z320/EXP,PPR-OTH,1	1.03		SA						
	AH96-00010C	ASSY DECK;HT-Z420/320/220,NEW TRAY,	1		SA						

# MEMO