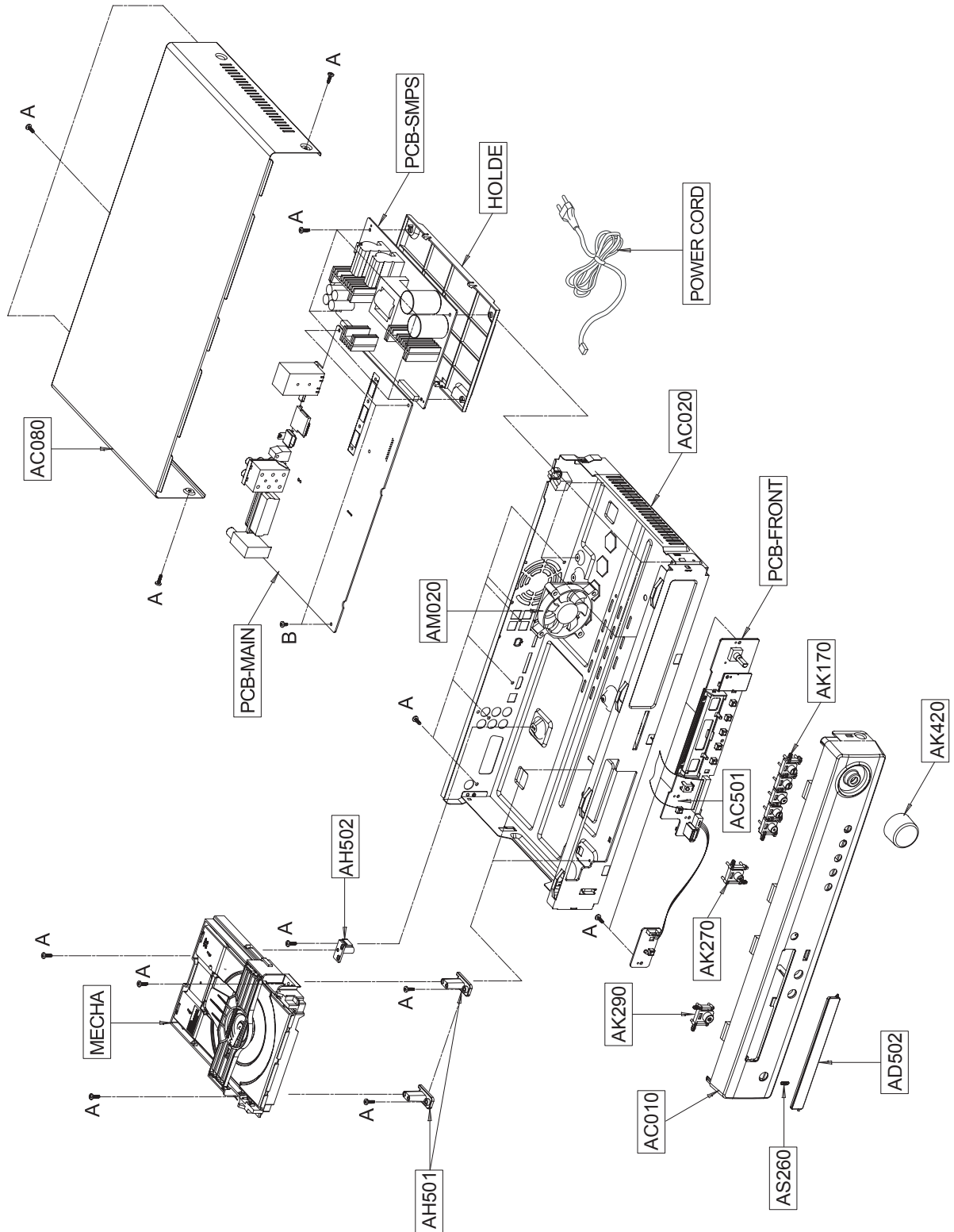

5. Exploded View & Part List

5-1	Exploded View	5-2
5-2	Speaker System.....	5-4
5-3	Electrical Part List.....	5-5

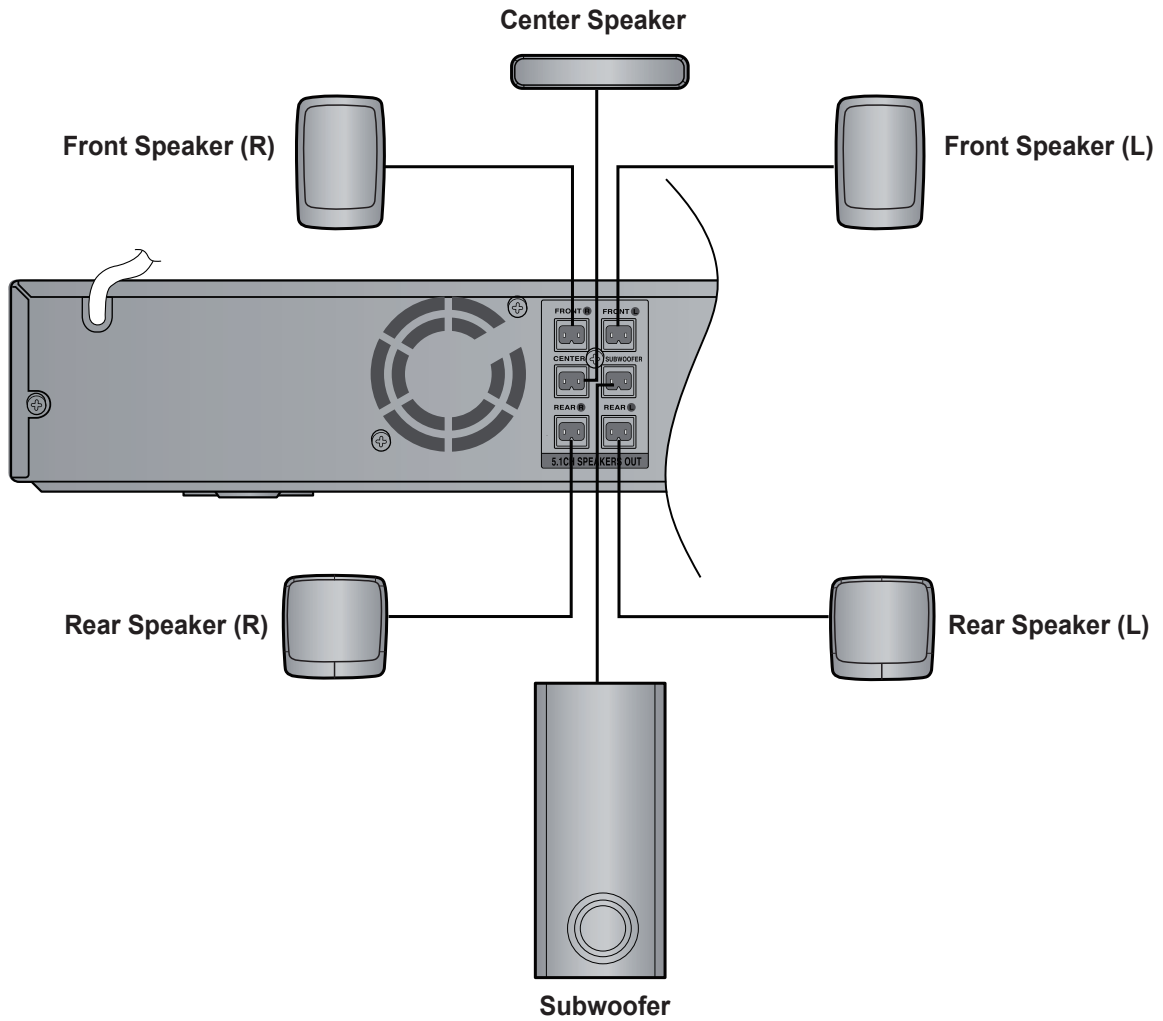
5-1 Exploded View



■ Part List

Loc. No.	Code No.	Description;Specification	Q'ty	SNA	Remark
AC010	AH64-04902B	CABINET FRONT;HT-Z220,ABS+PMMA,2.5,30,43	1	SA	
AC020	AH64-04896G	CABINET-BOTTOM;HT-TZ322/EUR,SECC,0.6T,29	1	SA	
AC080	AH64-04895A	CABINET-TOP;HT-Z320,SECC,0.5T,429.6,228.	1	SA	
AC501	3809-002052	CABLE-FLAT;30V,80,140mm,32P,1.0mm,UL2896	1	SA	
AD502	AH64-04925A	DOOR-DVD;HT-Z220,ABS+PMMA,2.5,15,140,WI	1	SA	
AH501	AH61-02747A	HOLDER-MECHA-FRONT;HT-Z320,HIPS,1.5,20,3	2	SA	
AH502	AH61-02748A	HOLDER-MECHA-REAR;HT-Z320,HIPS,1.5,20,30	1	SA	
AK170	AH64-04927A	KNOB-FUNCTION;HT-Z220,ABS+PMMA,2.5,20,11	1	SA	
AK270	AH64-04929A	KNOB-OPEN;HT-Z220,ABS+PMMA,2.5,20,20,WIN	1	SA	
AK290	AH64-04928A	KNOB-POWER;HT-Z220,ABS+PMMA,2.5,20,20,WI	1	SA	
AK420	AH64-05136A	KNOB-VOLUME;HT-Z220,ABS+PMMA,2.5,32,26.9	1	SA	
AM020	AH31-00029E	MOTOR FAN;C161NK10B0110,MX-GT88,0.15A,1.	1	SA	
AS260	AH61-02527A	SPRING ETC-DOOR;HT-Z310,STS 304 WPS,0.2,	1	SA	
HOLDE	AH61-02750A	HOLDER-SMPS;HT-Z320,HIPS,1.5,20,30,BLK	1	SA	
MECHA	AH96-00010C	ASSY DECK;HT-Z420/320/220,NEW TRAY,CABLE	1	SA	
PCB-FRONT	AH92-03031A	ASSY PCB FRONT;DVD-RECEIVER,HT-Z220,FRON	1	SA	
PCB-MAIN	AH92-03006A	ASSY PCB MAIN;- ,HT-Z220,Europe,MAIN PCB	1	SA	
PCB-SMPS	AH92-02992B	ASSY PCB SMPS;- ,HT-Z220,SMPS ,230V/50HZ,	1	SA	
POWER CORD	3903-000407	CBF-POWER CORD;AT,EU,CP2,HOUSING(2P),250	1	SA	
A	6003-000275	SCREW-TAPTTYPE;BH,+,-,B,M3,L10,ZPC(BLK),S	26	SA	
B	6003-001561	SCREW-TAPTTYPE;BH,+,-,B,M3,L6,ZPC(WHT),SW	4	SA	

5-2 Speaker System



■ Part List

Loc. No.	Code No.	Description;Specification	Q'ty	SNA	Remark
Front Speaker (R)	AH81-05075A	SPEAKER-PART;PS-Z220,SPHZ,FRONT-RIGHT SPK,SYSTEM,-,-,-	1	SA	
Front Speaker (L)	AH81-05074A	SPEAKER-PART;PS-Z220,SPHZ,FRONT-LEFT SPK,SYSTEM,-,-,-	1	SA	
Center Speaker	AH81-05078A	SPEAKER-PART;PS-Z220,SPHZ,CENTER SPK SYSTEM,-,-,-,-	1	SA	
Rear Speaker (R)	AH81-05076A	SPEAKER-PART;PS-Z220,SPHZ,REAR-RIGHT SPK,SYSTEM,-,-,-	1	SA	
Rear Speaker (L)	AH81-05077A	SPEAKER-PART;PS-Z220,SPHZ,REAR-LEFT SPK,SYSTEM,-,-,-	1	SA	
Subwoofer	AH81-05079A	SPEAKER-PART;PS-Z220,SPHZ,SUBWOOFER SYSTEM,-,-,-,-	1	SA	

5-3 Electrical Part List

Loc. No.	Part No.	Description;Specification	Q'ty	SNA	Remark	Loc. No.	Part No.	Description;Specification	Q'ty	SNA	Remark
	AH59-02160B	SPEAKER SYSTEM;PS-Z220,PS-FRCZ220,S	1	SNA			AH81-05051A	SPEAKER-PART;PS-Z220,SPHZ,FRONT-REA	2	SA	
	AH81-05074A	SPEAKER-PART;PS-Z220,SPHZ,FRONT-LEF	1	SA			AH81-05052A	SPEAKER-PART;PS-Z220,SPHZ,FRONT-REA	1	SA	
	AH61-02813A	CASE-PART;PS-Z220,HIPS,78.68MM,100M	1	SNA			AH81-05057A	SPEAKER-PART;PS-Z220,SPHZ,REAR-CENT	1	SA	
	AH81-02816A	C-AL;1uF,50V,5*11mm,-40 to +85C,-,-	1	SA			AH81-05058A	SPEAKER-PART;PS-Z220,SPHZ,CENTER SP	1	SA	
	AH81-04778A	GRILL-PART;PS-Z320,GRILL-F,PS-Z220,	1	SA			AH81-05059A	SPEAKER-PART;PS-Z220,SPHZ,CENTER SP	2	SA	
	AH81-04891A	SPEAKER;PS-Z220,WOOFER UNIT,FRONT S	1	SA			AH81-05081A	SPEAKER-PART;PS-Z220,SPHZ,CENTER SP	1	SA	
	AH81-05046A	SPEAKER-PART;PS-Z220,SPHZ,FRONT-LEF	1	SA			AH81-05084A	SPEAKER-PART;PS-Z220,SPHZ,NET CENTE	1	SA	
	AH81-05047A	SPEAKER-PART;PS-Z220,SPHZ,FRONT-LEF	1	SA			AH59-02161B	SPEAKER SYSTEM;PS-Z220,PS-WZ220,SUB	1	SNA	
	AH81-05049A	SPEAKER-PART;PS-Z220,SPHZ,FRONT-REA	6	SA			AH81-05079A	SPEAKER-PART;PS-Z220,SPHZ,SUBWOOFER	1	SA	
	AH81-05050A	SPEAKER-PART;PS-Z220,SPHZ,FRONT SPK	1	SA			AH81-03455A	SPEAKER-FRONT PANEL;PS-Z210,FRONT P	1	SA	
	AH81-05051A	SPEAKER-PART;PS-Z220,SPHZ,FRONT-REA	2	SA			AH81-05060A	SPEAKER-PART;PS-Z220,SPHZ,SUBWOOFER	1	SA	
	AH81-05052A	SPEAKER-PART;PS-Z220,SPHZ,FRONT-REA	1	SA			AH81-05061A	SPEAKER-PART;PS-Z220,SPHZ,SUBWOOFER	1	SA	
	AH81-05082A	SPEAKER-PART;PS-Z220,SPHZ,NET FRAME	1	SA			AH81-05062A	SPEAKER-PART;PS-Z220,SPHZ,SUBWOOFER	1	SA	
	AH81-05075A	SPEAKER-PART;PS-Z220,SPHZ,FRONT-RIG	1	SA			AH81-05063A	SPEAKER-PART;PS-Z220,SPHZ,SUBWOOFER	1	SA	
	AH61-02813A	CASE-PART;PS-Z220,HIPS,78.68MM,100M	1	SNA			AH81-05064A	SPEAKER-PART;PS-Z220,SPHZ,SUBWOOFER	1	SA	
	AH61-02816A	FRAME-PART;PS-Z220,ABS,SPHZ,BLACK,4	1	SNA			AH81-05065A	SPEAKER-PART;PS-Z220,SPHZ,SUBWOOFER	4	SA	
	AH81-04778A	GRILL-PART;PS-Z320,GRILL-F,PS-Z220,	1	SA			AH81-05066A	SPEAKER-PART;PS-Z220,SPHZ,SUBWOOFER	1	SA	
	AH81-04891A	SPEAKER;PS-Z220,WOOFER UNIT,FRONT S	1	SA			AH81-05067A	SPEAKER-PART;PS-Z220,SPHZ,SUBWOOFER	1	SA	
	AH81-05045A	SPEAKER-PART;PS-Z220,SPHZ,FRONT-RIG	1	SA			AH81-05068A	SPEAKER-PART;PS-Z220,SPHZ,SUBWOOFER	4	SA	
	AH81-05048A	SPEAKER-PART;PS-Z220,SPHZ,FRONT-RIG	1	SA			AH81-05069A	SPEAKER-PART;PS-Z220,SPHZ,SUBWOOFER	1	SA	
	AH81-05049A	SPEAKER-PART;PS-Z220,SPHZ,FRONT-REA	6	SA			AH81-05070A	SPEAKER-PART;PS-Z220,SPHZ,SUBWOOFER	1	SA	
	AH81-05051A	SPEAKER-PART;PS-Z220,SPHZ,FRONT-REA	2	SA			AH81-05071A	SPEAKER-PART;PS-Z220,SPHZ,SUBWOOFER	1	SA	
	AH81-05052A	SPEAKER-PART;PS-Z220,SPHZ,FRONT-REA	1	SA			PCB-SMPS AH92-02992B ASSY PCB SMPS;-HT-Z220,SMPS ,230V/	1	SA		
	AH81-05082A	SPEAKER-PART;PS-Z220,SPHZ,NET FRAME	1	SA			BD1	0402-001258 DIODE-BRIDGE;GBU606,600V,6A,SIP-4,B	1	SA	
	AH81-05076A	SPEAKER-PART;PS-Z220,SPHZ,REAR-RIGH	1	SA			BRT1	AH63-01844A EARTH;HT-Z320,C2680R-1/2H,0.5,NO	1	SA	
	AH81-04657A	SPEAKER;NET FRAME_S,100*100*15,ABS,	1	SA			BRT2	AH63-01844A EARTH;HT-Z320,C2680R-1/2H,0.5,NO	1	SA	
	AH81-04667A	SPEAKER;GRILLE_F,92*13*76,STEEL, SP	1	SA			BRT3	AH63-01844A EARTH;HT-Z320,C2680R-1/2H,0.5,NO	1	SA	
	AH81-04724A	SPEAKER;REAR CASE_S,100*100*77,PART	1	SA			C01	2305-001016 C-FILM,LEAD-PEF;10nF,10%,630V,TP,12	1	SA	
	AH81-04894A	SPEAKER;PS-Z220,WOOFER UNIT,REAR SP	1	SA			C02	2301-001796 C-FILM,PEF;0.56nF,5%,1000V,23x12mm	1	SA	
	AH81-05049A	SPEAKER-PART;PS-Z220,SPHZ,FRONT-REA	4	SA			C03	2203-000998 C-CER,CHIP;0.047nF,5%,50V,C0G,1608	1	SA	
	AH81-05051A	SPEAKER-PART;PS-Z220,SPHZ,FRONT-REA	2	SA			C04	2203-005249 C-CER,CHIP;100nF,10%,50V,X7R,TP,160	1	SA	
	AH81-05052A	SPEAKER-PART;PS-Z220,SPHZ,FRONT-REA	1	SA			C05	2203-005565 C-CER,CHIP;1nF,5%,50V,NP0,TP,1608	1	SA	
	AH81-05053A	SPEAKER-PART;PS-Z220,SPHZ,REAR-RIGH	1	SA			C06	2203-005565 C-CER,CHIP;1nF,5%,50V,NP0,TP,1608	1	SA	
	AH81-05056A	SPEAKER-PART;PS-Z220,SPHZ,REAR-RIGH	1	SA			C07	2301-000129 C-FILM,LEAD-PEF;100nF,5%,50V,TP,10X	1	SA	
	AH81-05057A	SPEAKER-PART;PS-Z220,SPHZ,REAR-CENT	1	SA			C08	2201-000551 C-CERAMIC,DISC;0.47nF,10%,1Kv,Y5P,T	1	SA	
	AH81-05072A	SPEAKER-PART;PS-Z220,SPHZ,SATELLITE	1	SA			C1201	2203-000206 C-CER,CHIP;100nF,10%,50V,X7R,TP,201	1	SA	
	AH81-05073A	SPEAKER-PART;PS-Z220,SPHZ,SATELLITE	1	SA			C1202	2203-006698 C-CER,CHIP;1000nF,10%,25V,X7R,1608	1	SA	
	AH81-05083A	SPEAKER-PART;PS-Z220,SPHZ,NET REAR	1	SA			C5601	2203-006698 C-CER,CHIP;1000nF,10%,25V,X7R,1608	1	SA	
	AH81-05077A	SPEAKER-PART;PS-Z220,SPHZ,REAR-LEFT	1	SA			C5602	2203-006698 C-CER,CHIP;1000nF,10%,25V,X7R,1608	1	SA	
	AH81-04657A	SPEAKER;NET FRAME_S,100*100*15,ABS,	1	SA			C5603	2203-000491 C-CER,CHIP;2.2nF,10%,50V,X7R,1608	1	SA	
	AH81-04667A	SPEAKER;GRILLE_F,92*13*76,STEEL, SP	1	SA			C5604	2203-006361 C-CER,CHIP;1000nF,10%,10V,X5R,TP,2	1	SA	
	AH81-04724A	SPEAKER;REAR CASE_S,100*100*77,PART	1	SA			C5605	2203-005171 C-CER,CHIP;1000nF,10%,16V,X7R,2012	1	SA	
	AH81-04894A	SPEAKER;PS-Z220,WOOFER UNIT,REAR SP	1	SA			CA03	2401-000970 C-AL;22uF,20%,50V,WT,TP,5x11.5	1	SA	
	AH81-05049A	SPEAKER-PART;PS-Z220,SPHZ,FRONT-REA	4	SA			CA04	2401-000360 C-AL;100uF,20%,50V,GP,TP,8x11.5.5	1	SA	
	AH81-05051A	SPEAKER-PART;PS-Z220,SPHZ,FRONT-REA	2	SA			CA1201	2401-003139 C-AL;1000uF,20%,25V,WT,TP,10*20,5mm	1	SA	
	AH81-05052A	SPEAKER-PART;PS-Z220,SPHZ,FRONT-REA	1	SA			CA1202	2401-001364 C-AL;470uF,20%,16V,GP,TP,10x12.5,5	1	SA	
	AH81-05054A	SPEAKER-PART;PS-Z220,SPHZ,REAR-LEFT	1	SA			CA220	2401-004591 C-AL;390uF,20%,450V,GP,BK,30x40mm,1	1	SA	
	AH81-05055A	SPEAKER-PART;PS-Z220,SPHZ,REAR-LEFT	1	SA			CA3501	2401-003850 C-AL;1000UF,20%,50V,WT,TP,12.5 X 25	1	SA	
	AH81-05057A	SPEAKER-PART;PS-Z220,SPHZ,REAR-CENT	1	SA			CA3502	2401-003850 C-AL;1000UF,20%,50V,WT,TP,12.5 X 25	1	SA	
	AH81-05083A	SPEAKER-PART;PS-Z220,SPHZ,NET REAR	1	SA			CA3503	2401-003850 C-AL;1000UF,20%,50V,WT,TP,12.5 X 25	1	SA	
	AH81-05078A	SPEAKER-PART;PS-Z220,SPHZ,CENTER SP	1	SA			CA3504	2401-003850 C-AL;1000UF,20%,50V,WT,TP,12.5 X 25	1	SA	
	AH61-02814A	CASE-PART;PS-Z220,HIPS,42MM,57MM,30	1	SNA			CA3505	2401-003850 C-AL;1000UF,20%,50V,WT,TP,12.5 X 25	1	SA	
	AH81-04662A	SPEAKER;NET FRAME_C,250*10*55,ABS,	1	SA			CA3506	2401-003850 C-AL;1000UF,20%,50V,WT,TP,12.5 X 25	1	SA	
	AH81-04669A	SPEAKER;GRILLE_C,220*9*45,STEEL, SP	1	SA			CA5601	2401-003139 C-AL;1000uF,20%,25V,WT,TP,10*20,5mm	1	SA	
	AH81-04897A	SPEAKER;PS-Z220,WOOFER UNIT,CENTER	2	SA							
	AH81-05049A	SPEAKER-PART;PS-Z220,SPHZ,FRONT-REA	8	SA							

Exploded View & Part List

Loc. No.	Part No.	Description;Specification	Q'ty	SNA	Remark	Loc. No.	Part No.	Description;Specification	Q'ty	SNA	Remark
CA5602	2401-003480	C-AL;1000UF,20%,10V,LZ,TP,10X16MM,5	1		SA	LF2	AH29-00016B	FILTER LINE;HT-Z320,TR16 4.0mH,0.08	1		SA
CA5603	2401-001355	C-AL;470uF,20%,10V,GP,TP,8x11.5mm,5	1		SA	M01	0505-001981	FET-SILICON;SPA11N80C3,N,800V,11A,0	1		SA
CAD01	2401-000048	C-AL;47uF,20%,25V,GP,TP,5x11,5	1		SA	NTC1	1404-001195	THERMISTOR-NTC;5.1ohm,3.84A,3000K,2	1		SA
CAD02	2401-000048	C-AL;47uF,20%,25V,GP,TP,5x11,5	1		SA	OC1	0604-000117	PHOTO-COUPLER;TR,130-260%,200mW,DIP	1		SA
CAD03	2401-000970	C-AL;22uF,20%,50V,WT,TP,5x11,5	1		SA	PCB_SMPS	AH41-01204B	PCB-SMPS;HT-Z320,CEM-1,1.00,T1.6,19	1		SNA
CAD04	2401-000042	C-AL;100uF,20%,16V,GP,TP,6.3x7,5	1		SA	Q01	0501-000341	TR-SMALL SIGNAL;KSC1623-L,NPN,200mW	1		SA
CAFB01	2401-000651	C-AL;2.2uF,20%,50V,GP,TP,4x7,5	1		SA	Q02	0501-000341	TR-SMALL SIGNAL;KSC1623-L,NPN,200mW	1		SA
CD01	2203-000189	C-CER,CHIP;100nF,+80-20%,25V,Y5V,16	1		SA	QD01	0501-000010	TR-SMALL SIGNAL;KSC1008,NPN,800mW,T	1		SA
CD02	2203-000440	C-CER,CHIP;1nF,10%,50V,X7R,1608	1		SA	QD02	0501-000010	TR-SMALL SIGNAL;KSC1008,NPN,800mW,T	1		SA
CD03	2203-000440	C-CER,CHIP;1nF,10%,50V,X7R,1608	1		SA	QRC01	0504-000128	TR-DIGITAL;-NPN,200MW,22K/22K,SOT-	1		SA
CFB01	2301-000412	C-FILM,LEAD-PEF;22nF,10%,50V,TP,8x1	1		SA	QRFB01	0504-000152	TR-DIGITAL;KSR2101,PNP,200mW,4.7K/4	1		SA
CFB02	2203-000815	C-CER,CHIP;0.033nF,5%,50V,C0G,1608	1		SA	R01	2002-001115	R-COMPOSITION;1.5Mohm,5%,1/2W,AA,TP	1		SA
CFB03	2203-005249	C-CER,CHIP;100nF,10%,50V,X7R,TP,160	1		SA	R02	2007-000134	R-CHIP;33Kohm,5%,1/10W,TP,1608	1		SA
CON1	3711-000203	HEADER-BOARD TO CABLE;1WALL,2P/3P,1	1		SA	R03	2003-000994	R-METAL OXIDE(S);33Kohm,5%,2W,AF,TP	1		SA
CON2	3711-000631	HEADER-BOARD TO CABLE;BOX,11P,1R,2	1		SA	R04	2003-000994	R-METAL OXIDE(S);33Kohm,5%,2W,AF,TP	1		SA
CON3	AH39-01031A	HARNESS POWER;HT-Z320,13,60,BA,W,A20	1		SA	R05	2001-000522	R-CARBON;22Kohm,5%,1/8W,AA,TP,1.8x3	1		SA
CX1	2301-001511	C-FILM,LEAD-PEF;330NF,10%,275V,BK,1	1		SA	R06	2007-000084	R-CHIP;4.7Kohm,5%,1/10W,TP,1608	1		SA
CX2	2301-001511	C-FILM,LEAD-PEF;330NF,10%,275V,BK,1	1		SA	R07	2007-000883	R-CHIP;4.7ohm,5%,1/4W,TP,3216	1		SA
CX3	2301-001220	C-FILM,LEAD-PPF;100nF,10%,275V,BK,1	1		SA	R08	2007-000883	R-CHIP;4.7ohm,5%,1/4W,TP,3216	1		SA
CY1	2201-000963	C-CERAMIC,DISC;1NF,20%,400V,Y5U,TP,	1		SA	R09	2007-000575	R-CHIP;220ohm,5%,1/4W,TP,3216	1		SA
CY2	2201-000963	C-CERAMIC,DISC;1NF,20%,400V,Y5U,TP,	1		SA	R10	2007-000092	R-CHIP;15Kohm,5%,1/10W,TP,1608	1		SA
CY3	2201-002213	C-CERAMIC,DISC;47nF,10%,400V,Y5P,-	1		SA	R11	2007-000075	R-CHIP;220ohm,5%,1/10W,TP,1608	1		SA
CY4	2201-000963	C-CERAMIC,DISC;1NF,20%,400V,Y5U,TP,	1		SA	R1201	2007-000455	R-CHIP;18Kohm,1%,1/10W,TP,1608	1		SA
D01	0401-001099	DIODE-SWITCHING;1N4148WS,75V,150mA,	1		SA	R1202	2007-008661	R-CHIP;2.1Kohm,1%,1/10W,TP,1608	1		SA
D02	0401-001099	DIODE-SWITCHING;1N4148WS,75V,150mA,	1		SA	R13	2003-002456	R-METAL OXIDE;0.18ohm,5%,2W,AF,TP,3	1		SA
D03	0402-000012	DIODE-RECTIFIER;UF4007,1000V,1A,DO-	1		SA	R14	2003-002456	R-METAL OXIDE;0.18ohm,5%,2W,AF,TP,3	1		SA
D04	0402-000012	DIODE-RECTIFIER;UF4007,1000V,1A,DO-	1		SA	R15	2007-000082	R-CHIP;3.3Kohm,5%,1/10W,TP,1608	1		SA
D05	0402-000511	DIODE-SCHOTTKY;SS14,40V,1000MA,DO-2	1		SA	R16	2007-000084	R-CHIP;4.7Kohm,5%,1/10W,TP,1608	1		SA
D06	0402-001427	DIODE-RECTIFIER;ES1D,200V,1A,DO-214	1		SA	R17	2001-000739	R-CARBON;4.7Mohm,5%,1/8W,AA,TP,1.8x	1		SA
D07	0401-001099	DIODE-SWITCHING;1N4148WS,75V,150mA,	1		SA	R18	2007-000133	R-CHIP;330Kohm,5%,1/10W,TP,1608	1		SA
D08	0402-001427	DIODE-RECTIFIER;ES1D,200V,1A,DO-214	1		SA	R19	2007-000133	R-CHIP;330Kohm,5%,1/10W,TP,1608	1		SA
D09	0401-001099	DIODE-SWITCHING;1N4148WS,75V,150mA,	1		SA	R20	2007-000133	R-CHIP;330Kohm,5%,1/10W,TP,1608	1		SA
D1201	0402-000268	DIODE-RECTIFIER;SB360,60V,3A,DO-201	1		SA	R21	2007-000950	R-CHIP;47ohm,5%,1/4W,TP,3216	1		SA
DD01	0401-000005	DIODE-SWITCHING;1N4148,75V,150mA,DO	1		SA	R3501	2007-000134	R-CHIP;33Kohm,5%,1/10W,TP,1608	1		SA
DD02	0401-000005	DIODE-SWITCHING;1N4148,75V,150mA,DO	1		SA	R5601	2007-000828	R-CHIP;39Kohm,1%,1/10W,TP,1608	1		SA
DD03	0401-000005	DIODE-SWITCHING;1N4148,75V,150mA,DO	1		SA	R5602	2007-002768	R-CHIP;6.2Kohm,1%,1/10W,TP,1608	1		SA
DD04	0401-000005	DIODE-SWITCHING;1N4148,75V,150mA,DO	1		SA	R5603	2007-000090	R-CHIP;10Kohm,5%,1/10W,TP,1608	1		SA
DD05	0402-000511	DIODE-SCHOTTKY;SS14,40V,1000MA,DO-2	1		SA	RC01	2007-000134	R-CHIP;33Kohm,5%,1/10W,TP,1608	1		SA
DD06	0402-000511	DIODE-SCHOTTKY;SS14,40V,1000MA,DO-2	1		SA	RD01	2007-000090	R-CHIP;10Kohm,5%,1/10W,TP,1608	1		SA
DR3502	0402-001637	DIODE-RECTIFIER;FFA60UP20DN,200V,30	1		SA	RD02	2007-000134	R-CHIP;33Kohm,5%,1/10W,TP,1608	1		SA
DR5601	0402-001439	DIODE-RECTIFIER;SHK75-11,100V,3A,DO	1		SA	RFB01	2007-000120	R-CHIP;680ohm,5%,1/10W,TP,1608	1		SA
F1	3601-001491	FUSE-RADIAL LEAD;250V,6.3A,TIME DEL	1		SA	RFB02	2007-000078	R-CHIP;1Kohm,5%,1/10W,TP,1608	1		SA
HOLDER_SMPSAH61-02750A	HOLDER-SMPS;HT-Z320,HIPS,1.5,20,30,	1			SA	RFB03	2007-000102	R-CHIP;100Kohm,5%,1/10W,TP,1608	1		SA
HS1	AH62-00201A	HEAT SINK;HT-Z320,A6063S-T5,1.5,18,	1		SA	RFB04	2007-001007	R-CHIP;51Kohm,1%,1/10W,TP,1608	1		SA
HS2	AH62-00201A	HEAT SINK;HT-Z320,A6063S-T5,1.5,18,	1		SA	RFB05	2007-000857	R-CHIP;4.3Kohm,1%,1/10W,TP,1608	1		SA
HS3	AH62-00204A	HEAT SINK;HT-Z320,A6063S-T5,15,11,S	1		SA	RFB06	2007-000133	R-CHIP;330Kohm,5%,1/10W,TP,1608	1		SA
IC01	1203-004788	IC-PWM CONTROLLER;ICE2QS01,DIP,8P,9	1		SA	RFB07	2007-000094	R-CHIP;22Kohm,5%,1/10W,TP,1608	1		SA
IC1201	1203-004520	IC-DC/DC CONVERTER;AP1501,TO-220(R)	1		SA	RGG	2007-000034	R-CHIP;1ohm,5%,1/4W,TP,3216	1		SA
IC5601	1203-005188	IC-DC/DC CONVERTER;AOZ1021AIL,SOP,8	1		SA	SCREW	6003-000276	SCREW-TAPTTYPE;BH,+,-,B,M3,L10,ZPC(W	3		SA
ICFB01	1203-000187	IC-POS1.ADJUST REG.;431,TO-92,3P,-,	1		SA	SHEET	AH63-01677E	SHEET-PT;HT-Z320,PC,0.5T,35,30,BLAC	2		SNA
L01	3301-000297	BEAD-AXIAL;25ohm,3.6x1.2x5.7mm,-,TP	1		SA	T1	AH26-00355A	TRANS SWITCHING;ER-4220,HT-Z320,VAR	1		SA
L1201	AH27-00062A	COIL FILTER;HXD77,22.8uH,55mOHM,19	1		SA	T2	AH26-00357A	TRANS SWITCHING;E1312,HT-Z320,12V,P	1		SA
L1202	AC27-12001N	COIL CHOKE;RA,K-30,Q80,150KHZ,150KH	1		SA	VAR1	1405-000186	VARIATOR;470V,2500A,17.5x7.5mm,TP	1		SA
L3501	AC27-12001N	COIL CHOKE;RA,K-30,Q80,150KHZ,150KH	1		SA	W100	3811-001868	WIRE-NO SHEATH CU;SnCuFe,52mm,GRY	1		SA
L3502	AH27-00068A	COIL CHOKE;BARX20,2.9UH,HT-Z320,2,	1		SA	W101	3811-001868	WIRE-NO SHEATH CU;SnCuFe,52mm,GRY	1		SA
L5601	AH27-00055A	COIL CHOKE;DBF-1310A,HT-DS600,10uH,	1		SA	W104	3811-001868	WIRE-NO SHEATH CU;SnCuFe,52mm,GRY	1		SA
L5602	3301-000297	BEAD-AXIAL;25ohm,3.6x1.2x5.7mm,-,TP	1		SA	W105	3811-001868	WIRE-NO SHEATH CU;SnCuFe,52mm,GRY	1		SA
LF1	AH29-00016B	FILTER LINE;HT-Z320,TR16 4.0mH,0.08	1		SA	W109	2007-000033	R-CHIP;0ohm,5%,1/4W,TP,3216	1		SA
						W110	2007-000033	R-CHIP;0ohm,5%,1/4W,TP,3216	1		SA

Loc. No.	Part No.	Description;Specification	Q'ty	SNA	Remark	Loc. No.	Part No.	Description;Specification	Q'ty	SNA	Remark
W112	3811-001868	WIRE-NO SHEATH CU;SnCuFe,52mm,GRY	1		SA	C16FL	2203-000257	C-CER,CHIP;10nF,10%,50V,X7R,TP,1608	1		SA
W113	3811-001868	WIRE-NO SHEATH CU;SnCuFe,52mm,GRY	1		SA	C16FR	2203-000257	C-CER,CHIP;10nF,10%,50V,X7R,TP,1608	1		SA
W114	3811-001868	WIRE-NO SHEATH CU;SnCuFe,52mm,GRY	1		SA	C16RL	2203-000257	C-CER,CHIP;10nF,10%,50V,X7R,TP,1608	1		SA
W115	3811-001868	WIRE-NO SHEATH CU;SnCuFe,52mm,GRY	1		SA	C16SW	2203-000257	C-CER,CHIP;10nF,10%,50V,X7R,TP,1608	1		SA
W116	2007-000033	R-CHIP;0ohm,5%,1/4W,TP,3216	1		SA	C17C	2203-005249	C-CER,CHIP;100nF,10%,50V,X7R,TP,160	1		SA
W118	3811-001868	WIRE-NO SHEATH CU;SnCuFe,52mm,GRY	1		SA	C17FL	2203-005249	C-CER,CHIP;100nF,10%,50V,X7R,TP,160	1		SA
W119	3811-001868	WIRE-NO SHEATH CU;SnCuFe,52mm,GRY	1		SA	C17FR	2203-005249	C-CER,CHIP;100nF,10%,50V,X7R,TP,160	1		SA
W120	3811-001868	WIRE-NO SHEATH CU;SnCuFe,52mm,GRY	1		SA	C17RL	2203-005249	C-CER,CHIP;100nF,10%,50V,X7R,TP,160	1		SA
W121	3811-001868	WIRE-NO SHEATH CU;SnCuFe,52mm,GRY	1		SA	C17SW	2203-005249	C-CER,CHIP;100nF,10%,50V,X7R,TP,160	1		SA
W123	3811-001868	WIRE-NO SHEATH CU;SnCuFe,52mm,GRY	1		SA	C18C	2203-001634	C-CER,CHIP;33nF,10%,50V,X7R,1608	1		SA
W124	3811-001868	WIRE-NO SHEATH CU;SnCuFe,52mm,GRY	1		SA	C18FL	2203-001634	C-CER,CHIP;33nF,10%,50V,X7R,1608	1		SA
ZD01	0403-001062	DIODE-ZENER;UDZ4.7B,4.55-4.75V,200M	1		SA	C18FR	2203-005249	C-CER,CHIP;100nF,10%,50V,X7R,TP,160	1		SA
ZD02	0403-001062	DIODE-ZENER;UDZ4.7B,4.55-4.75V,200M	1		SA	C18RL	2203-001634	C-CER,CHIP;33nF,10%,50V,X7R,1608	1		SA
ZD03	0403-000338	DIODE-ZENER;UZ27BM,25.7-28V,500MW,D	1		SA	C18SW	2203-001634	C-CER,CHIP;33nF,10%,50V,X7R,1608	1		SA
ZD04	0403-000338	DIODE-ZENER;UZ27BM,25.7-28V,500MW,D	1		SA	C19C	2203-002793	C-CER,CHIP;1000nF,+80-20%,25V,Y5V,2	1		SA
ZDD01	0403-000344	DIODE-ZENER;UZ3.9B,3.7-4.1V,500MW,D	1		SA	C19FL	2203-002793	C-CER,CHIP;1000nF,+80-20%,25V,Y5V,2	1		SA
ZDFB01	0403-001211	DIODE-ZENER;MTZJ12B,11.8-12.3V,500m	1		SA	C19RL	2203-002793	C-CER,CHIP;1000nF,+80-20%,25V,Y5V,2	1		SA
	AH99-00428A	ASSY AUTO INSERT,-HT-Z220,SMPS ,23	1		SNA	C19RR	2203-005249	C-CER,CHIP;100nF,10%,50V,X7R,TP,160	1		SA
						C19SW	2203-002793	C-CER,CHIP;1000nF,+80-20%,25V,Y5V,2	1		SA
						C1FR	2203-000236	C-CER,CHIP;0.1nF,5%,50V,C0G,1608	1		SA
						C1RL	2203-000236	C-CER,CHIP;0.1nF,5%,50V,C0G,1608	1		SA
PCB-MAIN	AH92-03006A	ASSY PCB MAIN;-HT-Z220,Europe,MAIN	1		SA	C1SW	2203-000236	C-CER,CHIP;0.1nF,5%,50V,C0G,1608	1		SA
220R1	2007-000070	R-CHIP;0ohm,5%,1/10W,TP,1608	1		SA	C20C	2203-005249	C-CER,CHIP;100nF,10%,50V,X7R,TP,160	1		SA
AIC1	1002-001548	IC-A/D CONVERTER;CS5345,24,LQFP,48P	1		SA	C20FL	2203-005249	C-CER,CHIP;100nF,10%,50V,X7R,TP,160	1		SA
AMP_H/S	AH62-00203A	HEAT SINK-AMP;HT-Z320,AL SKIVE,T9.6	1		SA	C20RR	2203-005249	C-CER,CHIP;100nF,10%,50V,X7R,TP,160	1		SA
ASC1	2401-000651	C-AL;2.2uF,20%,50V,GP,TP,4x7,5	1		SA	C21FR	2203-000787	C-CER,CHIP;0.33nF,5%,50V,C0G,TP,201	1		SA
ASS EDC	AH94-02237A	ASSY-NOR FLASH;HT-Z520,MX25L1605A,-	1		SNA	C22FR	2203-000787	C-CER,CHIP;0.33nF,5%,50V,C0G,TP,201	1		SA
BTR10	2007-000074	R-CHIP;100ohm,5%,1/10W,TP,1608	1		SA	C23	2203-005249	C-CER,CHIP;100nF,10%,50V,X7R,TP,160	1		SA
BTR3	2007-000113	R-CHIP;33ohm,5%,1/10W,TP,1608	1		SA	C23RR	2203-000787	C-CER,CHIP;0.33nF,5%,50V,C0G,TP,201	1		SA
BTR9	2007-000074	R-CHIP;100ohm,5%,1/10W,TP,1608	1		SA	C23SW	2203-002793	C-CER,CHIP;1000nF,+80-20%,25V,Y5V,2	1		SA
C10C	2305-000407	C-FILM,LEAD-PEF;470nF,5%,100V,TP,10	1		SA	C24	2203-005249	C-CER,CHIP;100nF,10%,50V,X7R,TP,160	1		SA
C10FL	2305-000407	C-FILM,LEAD-PEF;470nF,5%,100V,TP,10	1		SA	C24C	2203-006336	C-CER,CHIP;10000nF,10%,25V,X5R,3216	1		SA
C10RL	2305-000407	C-FILM,LEAD-PEF;470nF,5%,100V,TP,10	1		SA	C24FL	2203-006336	C-CER,CHIP;10000nF,10%,25V,X5R,3216	1		SA
C10RR	2203-001634	C-CER,CHIP;33nF,10%,50V,X7R,1608	1		SA	C24RR	2203-000787	C-CER,CHIP;0.33nF,5%,50V,C0G,TP,201	1		SA
C10SW	2305-000407	C-FILM,LEAD-PEF;470nF,5%,100V,TP,10	1		SA	C25	2203-005249	C-CER,CHIP;100nF,10%,50V,X7R,TP,160	1		SA
C11C	2203-005249	C-CER,CHIP;100nF,10%,50V,X7R,TP,160	1		SA	C25FR	2203-000257	C-CER,CHIP;10nF,10%,50V,X7R,TP,1608	1		SA
C11FL	2203-005249	C-CER,CHIP;100nF,10%,50V,X7R,TP,160	1		SA	C26	2203-005249	C-CER,CHIP;100nF,10%,50V,X7R,TP,160	1		SA
C11FR	2203-005249	C-CER,CHIP;100nF,10%,50V,X7R,TP,160	1		SA	C26FR	2203-005774	C-CER,CHIP;1000nF,+80-20%,50V,Y5V,2	1		SA
C11RL	2203-005249	C-CER,CHIP;100nF,10%,50V,X7R,TP,160	1		SA	C27RR	2203-000257	C-CER,CHIP;10nF,10%,50V,X7R,TP,1608	1		SA
C11SW	2203-005249	C-CER,CHIP;100nF,10%,50V,X7R,TP,160	1		SA	C28RR	2203-005774	C-CER,CHIP;1000nF,+80-20%,50V,Y5V,2	1		SA
C12C	2203-000257	C-CER,CHIP;10nF,10%,50V,X7R,TP,1608	1		SA	C2C	2203-002793	C-CER,CHIP;1000nF,+80-20%,25V,Y5V,2	1		SA
C12FL	2203-000257	C-CER,CHIP;10nF,10%,50V,X7R,TP,1608	1		SA	C2FL	2203-002793	C-CER,CHIP;1000nF,+80-20%,25V,Y5V,2	1		SA
C12FR	2203-000257	C-CER,CHIP;10nF,10%,50V,X7R,TP,1608	1		SA	C2FR	2203-002793	C-CER,CHIP;1000nF,+80-20%,25V,Y5V,2	1		SA
C12RL	2203-000257	C-CER,CHIP;10nF,10%,50V,X7R,TP,1608	1		SA	C2RL	2203-002793	C-CER,CHIP;1000nF,+80-20%,25V,Y5V,2	1		SA
C12RR	2203-001634	C-CER,CHIP;33nF,10%,50V,X7R,1608	1		SA	C2SW	2203-002793	C-CER,CHIP;1000nF,+80-20%,25V,Y5V,2	1		SA
C12SW	2203-000257	C-CER,CHIP;10nF,10%,50V,X7R,TP,1608	1		SA	C3	2203-005249	C-CER,CHIP;100nF,10%,50V,X7R,TP,160	1		SA
C13C	2203-000787	C-CER,CHIP;0.33nF,5%,50V,C0G,TP,201	1		SA	C30RR	2401-004106	C-AL;680uF,20%,50V,-BK,12.5 x 35,5	1		SA
C13FL	2203-000787	C-CER,CHIP;0.33nF,5%,50V,C0G,TP,201	1		SA	C31FR	2203-001634	C-CER,CHIP;33nF,10%,50V,X7R,1608	1		SA
C13RL	2203-000787	C-CER,CHIP;0.33nF,5%,50V,C0G,TP,201	1		SA	C31RR	2203-005249	C-CER,CHIP;100nF,10%,50V,X7R,TP,160	1		SA
C13SW	2203-000787	C-CER,CHIP;0.33nF,5%,50V,C0G,TP,201	1		SA	C32RR	2203-005249	C-CER,CHIP;100nF,10%,50V,X7R,TP,160	1		SA
C14C	2203-000787	C-CER,CHIP;0.33nF,5%,50V,C0G,TP,201	1		SA	C33RR	2203-000257	C-CER,CHIP;10nF,10%,50V,X7R,TP,1608	1		SA
C14FL	2203-000787	C-CER,CHIP;0.33nF,5%,50V,C0G,TP,201	1		SA	C34RR	2203-000257	C-CER,CHIP;10nF,10%,50V,X7R,TP,1608	1		SA
C14RL	2203-000787	C-CER,CHIP;0.33nF,5%,50V,C0G,TP,201	1		SA	C35FR	2305-000407	C-FILM,LEAD-PEF;470nF,5%,100V,TP,10	1		SA
C14SW	2203-000787	C-CER,CHIP;0.33nF,5%,50V,C0G,TP,201	1		SA	C37RR	2305-000407	C-FILM,LEAD-PEF;470nF,5%,100V,TP,10	1		SA
C15C	2203-005249	C-CER,CHIP;100nF,10%,50V,X7R,TP,160	1		SA	C3C	2203-005249	C-CER,CHIP;100nF,10%,50V,X7R,TP,160	1		SA
C15FL	2203-005249	C-CER,CHIP;100nF,10%,50V,X7R,TP,160	1		SA	C3FL	2203-005249	C-CER,CHIP;100nF,10%,50V,X7R,TP,160	1		SA
C15FR	2203-005249	C-CER,CHIP;100nF,10%,50V,X7R,TP,160	1		SA	C4	2203-006333	C-CER,CHIP;10000nF,20%,16V,X5R,TP,3	1		SA
C15RL	2203-005249	C-CER,CHIP;100nF,10%,50V,X7R,TP,160	1		SA	C40FR	2203-005249	C-CER,CHIP;100nF,10%,50V,X7R,TP,160	1		SA
C15SW	2203-005249	C-CER,CHIP;100nF,10%,50V,X7R,TP,160	1		SA						
C16C	2203-000257	C-CER,CHIP;10nF,10%,50V,X7R,TP,1608	1		SA						

Exploded View & Part List

Loc. No.	Part No.	Description;Specification	Q'ty	SNA	Remark	Loc. No.	Part No.	Description;Specification	Q'ty	SNA	Remark
C41FR	2203-005249	C-CER,CHIP;100nF,10%,50V,X7R,TP,160	1	SA		CER30	2007-000090	R-CHIP;10Kohm,5%,1/10W,TP,1608	1	SA	
C42FR	2203-005249	C-CER,CHIP;100nF,10%,50V,X7R,TP,160	1	SA		CER33	2007-000109	R-CHIP;1Mohm,5%,1/10W,TP,1608	1	SA	
C43FR	2203-005249	C-CER,CHIP;100nF,10%,50V,X7R,TP,160	1	SA		CER34	2007-000074	R-CHIP;100ohm,5%,1/10W,TP,1608	1	SA	
C44FR	2203-005249	C-CER,CHIP;100nF,10%,50V,X7R,TP,160	1	SA		CER35	2007-000090	R-CHIP;10Kohm,5%,1/10W,TP,1608	1	SA	
C45FR	2203-005249	C-CER,CHIP;100nF,10%,50V,X7R,TP,160	1	SA		CER36	2007-000090	R-CHIP;10Kohm,5%,1/10W,TP,1608	1	SA	
C4FR	2203-005249	C-CER,CHIP;100nF,10%,50V,X7R,TP,160	1	SA		CER39	2007-000090	R-CHIP;10Kohm,5%,1/10W,TP,1608	1	SA	
C4RL	2203-005249	C-CER,CHIP;100nF,10%,50V,X7R,TP,160	1	SA		CER4	2007-002425	R-CHIP;1ohm,5%,1/10W,TP,1608	1	SA	
C4SW	2203-005249	C-CER,CHIP;100nF,10%,50V,X7R,TP,160	1	SA		CER5	2007-000129	R-CHIP;27Kohm,5%,1/10W,TP,1608	1	SA	
C5C	2203-001634	C-CER,CHIP;33nF,10%,50V,X7R,1608	1	SA		CER52	2007-000074	R-CHIP;100ohm,5%,1/10W,TP,1608	1	SA	
C5FL	2203-001634	C-CER,CHIP;33nF,10%,50V,X7R,1608	1	SA		CER54	2007-000090	R-CHIP;10Kohm,5%,1/10W,TP,1608	1	SA	
C5RL	2203-001634	C-CER,CHIP;33nF,10%,50V,X7R,1608	1	SA		CER55	2007-000084	R-CHIP;4.7Kohm,5%,1/10W,TP,1608	1	SA	
C5RR	2203-005249	C-CER,CHIP;100nF,10%,50V,X7R,TP,160	1	SA		CER6	2007-000071	R-CHIP;22ohm,5%,1/10W,TP,1608	1	SA	
C5SW	2203-001634	C-CER,CHIP;33nF,10%,50V,X7R,1608	1	SA		CER64	2007-000070	R-CHIP;0ohm,5%,1/10W,TP,1608	1	SA	
C6RL	2203-005249	C-CER,CHIP;100nF,10%,50V,X7R,TP,160	1	SA		CER7	3301-001495	BEAD-SMD;120ohm,2012,2500mA,TP,115o	1	SA	
C6RR	2203-002793	C-CER,CHIP;1000nF,+80-20%,25V,Y5V,2	1	SA		CER8	2007-000084	R-CHIP;4.7Kohm,5%,1/10W,TP,1608	1	SA	
C6SW	2203-005249	C-CER,CHIP;100nF,10%,50V,X7R,TP,160	1	SA		CER9	2007-000084	R-CHIP;4.7Kohm,5%,1/10W,TP,1608	1	SA	
C7C	2203-005774	C-CER,CHIP;1000nF,+80-20%,50V,Y5V,2	1	SA		CN11	3708-002403	CONNECTOR-FPC/FFC/PIC;23P,1mm,SMD-S	1	SA	
C7FL	2203-005774	C-CER,CHIP;1000nF,+80-20%,50V,Y5V,2	1	SA		CN12	3708-001616	CONNECTOR-FPC/FFC/PIC;9P,1mm,STRAIG	1	SA	
C7RL	2203-005774	C-CER,CHIP;1000nF,+80-20%,50V,Y5V,2	1	SA		CR17	2007-000552	R-CHIP;20ohm,5%,1/10W,TP,1608	1	SA	
C7RR	2203-006336	C-CER,CHIP;10000nF,10%,25V,X5R,3216	1	SA		CR18	2007-000552	R-CHIP;20ohm,5%,1/10W,TP,1608	1	SA	
C7SW	2203-005774	C-CER,CHIP;1000nF,+80-20%,50V,Y5V,2	1	SA		CR30	2007-000090	R-CHIP;10Kohm,5%,1/10W,TP,1608	1	SA	
C8RL	2401-004106	C-AL;680uF,20%,50V,-BK,12.5 x 35,5	1	SA		DDC1	1203-005188	IC-DC/DC CONVERTER;AOZ1021AIL,SOP,8	1	SA	
C8RR	2203-002793	C-CER,CHIP;1000nF,+80-20%,25V,Y5V,2	1	SA		DDCC1	2203-005065	C-CER,CHIP;1000nF,+80-20%,10V,Y5V,1	1	SA	
C8YL	2401-004106	C-AL;680uF,20%,50V,-BK,12.5 x 35,5	1	SA		DDCC10	2203-005148	C-CER,CHIP;100nF,10%,16V,X7R,TP,160	1	SA	
C9FR	2203-001634	C-CER,CHIP;33nF,10%,50V,X7R,1608	1	SA		DDCC11	2203-006361	C-CER,CHIP;10000nF,10%,10V,X5R,TP,2	1	SA	
CB02	3301-001495	BEAD-SMD;120ohm,2012,2500mA,TP,115o	1	SA		DDCC12	2203-006336	C-CER,CHIP;10000nF,10%,25V,X5R,3216	1	SA	
CBT1	2203-005148	C-CER,CHIP;1000nF,10%,16V,X7R,TP,160	1	SA		DDCC13	2203-000189	C-CER,CHIP;100nF,+80-20%,25V,Y5V,16	1	SA	
CC09	2401-001508	C-AL;47uF,20%,16V,GP,TP,6.3x5.5	1	SA		DDCC14	2401-001364	C-AL;470uF,20%,16V,GP,TP,10x12.5,5	1	SA	
CC10	2203-005249	C-CER,CHIP;100nF,10%,50V,X7R,TP,160	1	SA		DDCC2	2203-005148	C-CER,CHIP;100nF,10%,16V,X7R,TP,160	1	SA	
CC11	2007-000092	R-CHIP;15Kohm,5%,1/10W,TP,1608	1	SA		DDCC3	2401-000038	C-AL;470uF,20%,25V,GP,TP,10x12.5mm,	1	SA	
CC12	2007-000092	R-CHIP;15Kohm,5%,1/10W,TP,1608	1	SA		DDCC4	2203-006336	C-CER,CHIP;10000nF,10%,25V,X5R,3216	1	SA	
CC13	2203-000280	IC-EEPROM;24C08A,8Kbit,1Kx8,SOP,8P	1	SA		DDCC5	2203-000440	C-CER,CHIP;1nF,10%,50V,X7R,1608	1	SA	
CC14	2203-000280	C-CER,CHIP;0.01nF,0.5pF,50V,C0G,160	1	SA		DDCC6	2203-000440	C-CER,CHIP;1nF,10%,50V,X7R,1608	1	SA	
CEC1	2203-005148	C-CER,CHIP;100nF,10%,16V,X7R,TP,160	1	SA		DDCC7	2203-000189	C-CER,CHIP;100nF,+80-20%,25V,Y5V,16	1	SA	
CEC43	2203-006361	C-CER,CHIP;10000nF,10%,10V,X5R,TP,2	1	SA		DDCC8	2203-006361	C-CER,CHIP;10000nF,10%,10V,X5R,TP,2	1	SA	
CEC44	2203-005148	C-CER,CHIP;100nF,10%,16V,X7R,TP,160	1	SA		DDCC9	2203-006361	C-CER,CHIP;10000nF,10%,10V,X5R,TP,2	1	SA	
CEC46	2203-006361	C-CER,CHIP;10000nF,10%,10V,X5R,TP,2	1	SA		DDCD1	0404-001036	DIODE-SCHOTTKY;RB551V-30,20V,500MA,	1	SA	
CEC47	2203-005148	C-CER,CHIP;100nF,10%,16V,X7R,TP,160	1	SA		DDCL1	2703-003408	INDUCTOR-SMD;10uH,20%,7070	1	SA	
CECX1	2802-001179	RESONATOR-CERAMIC;4MHZ,0.5%,BK,8X3X	1	SA		DDCL2	2703-003362	INDUCTOR-SMD;4.7uH,20%,7070	1	SA	
CEd1	0404-001089	DIODE-SCHOTTKY;RB551V-30,20V,500MA,	1	SA		DDCQ1	0501-002184	TR-SMALL SIGNAL;KTD1304,NPN,200mW,S	1	SA	
CEIC1	AK09-00159A	IC MICOM;MC80C0316-MC015 D32,44,2,7	1	SA		DDCR1	2007-000090	R-CHIP;10Kohm,5%,1/10W,TP,1608	1	SA	
CEIC2	1103-001333	IC-EEPROM;24C08A,8Kbit,1Kx8,SOP,8P	1	SA		DDCR10	2007-000869	R-CHIP;4.7Kohm,1%,1/10W,TP,1608	1	SA	
CEIC3	1203-002425	IC-POSIFIXED REG.;1117,SOT-223,3P,	1	SA		DDCR11	2007-000052	R-CHIP;10Kohm,1%,1/10W,TP,1608	1	SA	
CEIC4	0505-001679	FET-SILICON;FDC6301N,N,25V,0.22A,50	1	SA		DDCR12	2007-000293	R-CHIP;100ohm,5%,1/4W,TP,3216	1	SA	
CER1	3301-001495	BEAD-SMD;120ohm,2012,2500mA,TP,115o	1	SA		DDCR2	2007-000097	R-CHIP;47Kohm,5%,1/10W,TP,1608	1	SA	
CER10	2007-000084	R-CHIP;4.7Kohm,5%,1/10W,TP,1608	1	SA		DDCR3	2007-000090	R-CHIP;10Kohm,5%,1/10W,TP,1608	1	SA	
CER11	2007-000090	R-CHIP;10Kohm,5%,1/10W,TP,1608	1	SA		DDCR4	2007-000090	R-CHIP;10Kohm,5%,1/10W,TP,1608	1	SA	
CER13	2007-000090	R-CHIP;10Kohm,5%,1/10W,TP,1608	1	SA		DDCR5	2007-000084	R-CHIP;4.7Kohm,5%,1/10W,TP,1608	1	SA	
CER15	2007-000090	R-CHIP;10Kohm,5%,1/10W,TP,1608	1	SA		DDCR6	2007-000070	R-CHIP;0ohm,5%,1/10W,TP,1608	1	SA	
CER16	2007-000090	R-CHIP;10Kohm,5%,1/10W,TP,1608	1	SA		DDCR7	2007-000090	R-CHIP;10Kohm,5%,1/10W,TP,1608	1	SA	
CER17	2007-000090	R-CHIP;10Kohm,5%,1/10W,TP,1608	1	SA		DDCR8	2007-000066	R-CHIP;20Kohm,1%,1/10W,TP,1608	1	SA	
CER18	2007-000074	R-CHIP;100ohm,5%,1/10W,TP,1608	1	SA		DDCR9	2007-000651	R-CHIP;27Kohm,1%,1/10W,TP,1608	1	SA	
CER19	2007-000074	R-CHIP;100ohm,5%,1/10W,TP,1608	1	SA		DIC1	2203-005148	C-CER,CHIP;100nF,10%,16V,X7R,TP,160	1	SA	
CER2	2007-000070	R-CHIP;0ohm,5%,1/10W,TP,1608	1	SA		DIIC1	1103-001333	IC-EEPROM;24C08A,8Kbit,1Kx8,SOP,8P,	1	SA	
CER21	2007-000074	R-CHIP;100ohm,5%,1/10W,TP,1608	1	SA		DIR6	2007-000078	R-CHIP;1Kohm,5%,1/10W,TP,1608	1	SA	
CER22	2007-000070	R-CHIP;0ohm,5%,1/10W,TP,1608	1	SA		DIR7	2007-000078	R-CHIP;1Kohm,5%,1/10W,TP,1608	1	SA	
CER28	2007-000090	R-CHIP;10Kohm,5%,1/10W,TP,1608	1	SA		EBD1	0401-001090	DIODE-SWITCHING;1SS355,80V,100MA,SO	1	SA	
CER3	2007-000071	R-CHIP;22ohm,5%,1/10W,TP,1608	1	SA		EBD16	3301-001495	BEAD-SMD;120ohm,2012,2500mA,TP,115o	1	SA	
						EBD2	3301-001495	BEAD-SMD;120ohm,2012,2500mA,TP,115o	1	SA	

Loc. No.	Part No.	Description;Specification	Q'ty	SNA	Remark	Loc. No.	Part No.	Description;Specification	Q'ty	SNA	Remark
EBD3	3301-001495	BEAD-SMD;120ohm,2012,2500mA,TP,115o	1		SA	FR4	2007-000097	R-CHIP;47Kohm,5%,1/10W,TP,1608	1		SA
EBD4	3301-001495	BEAD-SMD;120ohm,2012,2500mA,TP,115o	1		SA	FR5	2007-000084	R-CHIP;4.7Kohm,5%,1/10W,TP,1608	1		SA
EL3	3301-001069	BEAD-SMD;120ohm,1.6x0.8x0.8mm,200mA	1		SA	FR6	2007-000090	R-CHIP;10Kohm,5%,1/10W,TP,1608	1		SA
EL4	3301-001069	BEAD-SMD;120ohm,1.6x0.8x0.8mm,200mA	1		SA	FR7	2007-000134	R-CHIP;33Kohm,5%,1/10W,TP,1608	1		SA
EMC10	2203-005249	C-CER,CHIP;100nF,10%,50V,X7R,TP,160	1		SA	FR8	2007-000097	R-CHIP;47Kohm,5%,1/10W,TP,1608	1		SA
EMC11	2203-005249	C-CER,CHIP;100nF,10%,50V,X7R,TP,160	1		SA	FR9	2007-000097	R-CHIP;47Kohm,5%,1/10W,TP,1608	1		SA
EMC12	2203-005249	C-CER,CHIP;100nF,10%,50V,X7R,TP,160	1		SA	H/S HOLDER AH61-02526A	HOLDER-IC;HT-Z210,ABS,T0.9,W150	1			SA
EMC13	2203-005249	C-CER,CHIP;100nF,10%,50V,X7R,TP,160	1		SA	HC01	2203-006361	C-CER,CHIP;1000nF,10%,10V,X5R,TP,2	1		SA
EMC14	2203-005249	C-CER,CHIP;100nF,10%,50V,X7R,TP,160	1		SA	HC02	2203-006361	C-CER,CHIP;1000nF,10%,10V,X5R,TP,2	1		SA
EMC17	2203-000257	C-CER,CHIP;10nF,10%,50V,X7R,TP,1608	1		SA	HC03	2203-005148	C-CER,CHIP;100nF,10%,16V,X7R,TP,160	1		SA
EMC19	2203-000257	C-CER,CHIP;10nF,10%,50V,X7R,TP,1608	1		SA	HC04	2203-005148	C-CER,CHIP;100nF,10%,16V,X7R,TP,160	1		SA
EMC20	2203-000257	C-CER,CHIP;10nF,10%,50V,X7R,TP,1608	1		SA	HC06	2203-005148	C-CER,CHIP;100nF,10%,16V,X7R,TP,160	1		SA
EMC21	2203-005249	C-CER,CHIP;100nF,10%,50V,X7R,TP,160	1		SA	HC07	2203-005148	C-CER,CHIP;100nF,10%,16V,X7R,TP,160	1		SA
EMC22	2203-005249	C-CER,CHIP;100nF,10%,50V,X7R,TP,160	1		SA	HC08	2203-005148	C-CER,CHIP;100nF,10%,16V,X7R,TP,160	1		SA
EMC5	2203-005249	C-CER,CHIP;100nF,10%,50V,X7R,TP,160	1		SA	HC09	2203-005065	C-CER,CHIP;1000nF,+80-20%,10V,Y5V,1	1		SA
EMC6	2203-005249	C-CER,CHIP;100nF,10%,50V,X7R,TP,160	1		SA	HC1	2203-006361	C-CER,CHIP;1000nF,10%,10V,X5R,TP,2	1		SA
EMC7	2203-005249	C-CER,CHIP;100nF,10%,50V,X7R,TP,160	1		SA	HC10	2203-005065	C-CER,CHIP;1000nF,+80-20%,10V,Y5V,1	1		SA
EMC8	2203-005249	C-CER,CHIP;100nF,10%,50V,X7R,TP,160	1		SA	HC11	2203-005148	C-CER,CHIP;100nF,10%,16V,X7R,TP,160	1		SA
EMC9	2203-005249	C-CER,CHIP;100nF,10%,50V,X7R,TP,160	1		SA	HC12	2203-005148	C-CER,CHIP;100nF,10%,16V,X7R,TP,160	1		SA
EMCB1	3301-001495	BEAD-SMD;120ohm,2012,2500mA,TP,115o	1		SA	HC13	2203-005065	C-CER,CHIP;1000nF,+80-20%,10V,Y5V,1	1		SA
EMCB2	3301-001495	BEAD-SMD;120ohm,2012,2500mA,TP,115o	1		SA	HC14	2203-005065	C-CER,CHIP;1000nF,+80-20%,10V,Y5V,1	1		SA
EMCB3	3301-001495	BEAD-SMD;120ohm,2012,2500mA,TP,115o	1		SA	HC15	2203-005148	C-CER,CHIP;100nF,10%,16V,X7R,TP,160	1		SA
EMCB4	3301-001495	BEAD-SMD;120ohm,2012,2500mA,TP,115o	1		SA	HC16	2203-006361	C-CER,CHIP;1000nF,10%,10V,X5R,TP,2	1		SA
EMCB5	3301-001495	BEAD-SMD;120ohm,2012,2500mA,TP,115o	1		SA	HC17	2203-005148	C-CER,CHIP;100nF,10%,16V,X7R,TP,160	1		SA
EMCB6	3301-001495	BEAD-SMD;120ohm,2012,2500mA,TP,115o	1		SA	HC18	2203-005148	C-CER,CHIP;100nF,10%,16V,X7R,TP,160	1		SA
EMCB7	3301-001495	BEAD-SMD;120ohm,2012,2500mA,TP,115o	1		SA	HC19	2203-005148	C-CER,CHIP;100nF,10%,16V,X7R,TP,160	1		SA
EMCB8	3301-001495	BEAD-SMD;120ohm,2012,2500mA,TP,115o	1		SA	HC2	2203-006361	C-CER,CHIP;1000nF,10%,10V,X5R,TP,2	1		SA
EMCC	2203-000257	C-CER,CHIP;10nF,10%,50V,X7R,TP,1608	1		SA	HC20	2203-005065	C-CER,CHIP;1000nF,+80-20%,10V,Y5V,1	1		SA
EMR1	2007-000070	R-CHIP;0ohm,5%,1/10W,TP,1608	1		SA	HC21	2203-005148	C-CER,CHIP;100nF,10%,16V,X7R,TP,160	1		SA
EMR2	2007-000070	R-CHIP;0ohm,5%,1/10W,TP,1608	1		SA	HC22	2203-005148	C-CER,CHIP;100nF,10%,16V,X7R,TP,160	1		SA
EMR3	2007-000694	R-CHIP;3.3ohm,5%,1/8W,TP,2012	1		SA	HC23	2203-005148	C-CER,CHIP;100nF,10%,16V,X7R,TP,160	1		SA
EMR4	2007-000694	R-CHIP;3.3ohm,5%,1/8W,TP,2012	1		SA	HC24	2203-006361	C-CER,CHIP;1000nF,10%,10V,X5R,TP,2	1		SA
EMR5	2007-000694	R-CHIP;3.3ohm,5%,1/8W,TP,2012	1		SA	HC25	2203-006361	C-CER,CHIP;1000nF,10%,10V,X5R,TP,2	1		SA
EMR6	2007-000694	R-CHIP;3.3ohm,5%,1/8W,TP,2012	1		SA	HC26	2203-005148	C-CER,CHIP;100nF,10%,16V,X7R,TP,160	1		SA
ESD3	0406-001128	DIODE-TVS;MLVS-0603-E08,50V	1		SA	HC27	2203-005148	C-CER,CHIP;100nF,10%,16V,X7R,TP,160	1		SA
ESS_H/S	AH62-00062L	HEAT SINK;HT-Z320,AL EXTR	1		SA	HC28	2203-006361	C-CER,CHIP;1000nF,10%,10V,X5R,TP,2	1		SA
FC2	2203-001596	C-CER,CHIP;2200nF,+80-20%,50V,Y5V,2	1		SA	HC3	2203-006361	C-CER,CHIP;1000nF,10%,10V,X5R,TP,2	1		SA
FC3	2203-001596	C-CER,CHIP;2200nF,+80-20%,50V,Y5V,2	1		SA	HC30	2203-005148	C-CER,CHIP;100nF,10%,16V,X7R,TP,160	1		SA
FC4	2203-001596	C-CER,CHIP;2200nF,+80-20%,50V,Y5V,2	1		SA	HC31	2203-005148	C-CER,CHIP;100nF,10%,16V,X7R,TP,160	1		SA
FC5	2203-001596	C-CER,CHIP;2200nF,+80-20%,50V,Y5V,2	1		SA	HC32	2203-006361	C-CER,CHIP;1000nF,10%,10V,X5R,TP,2	1		SA
FC6	2203-001596	C-CER,CHIP;2200nF,+80-20%,50V,Y5V,2	1		SA	HC33	2401-001092	C-AL;330uF,20%,10V,GP,-,8x11.5,2.5m	1		SA
FD1	0401-001090	DIODE-SWITCHING;1SS355,80V,100MA,SO	1		SA	HC35	2203-005148	C-CER,CHIP;100nF,10%,16V,X7R,TP,160	1		SA
FD2	0401-001090	DIODE-SWITCHING;1SS355,80V,100MA,SO	1		SA	HC36	2203-001086	C-CER,CHIP;0.0050nF,0.25pF,50V,NP0,	1		SA
FJ1	3711-000820	HEADER-BOARD TO CABLE;BOX,2P,1R,2.5	1		SA	HC37	2203-005148	C-CER,CHIP;100nF,10%,16V,X7R,TP,160	1		SA
FQ01	0504-000156	TR-DIGITAL;KSR2103,PNP,200MW,22K/22	1		SA	HC4	2203-006361	C-CER,CHIP;1000nF,10%,10V,X5R,TP,2	1		SA
FQ1	0501-000422	TR-SMALL SIGNAL;KTA1273,PNP,-30V,-3	1		SA	HC5	2203-006361	C-CER,CHIP;1000nF,10%,10V,X5R,TP,2	1		SA
FQ2	0501-000341	TR-SMALL SIGNAL;KSC1623-L,NPN,200mW	1		SA	HC6	2203-006361	C-CER,CHIP;1000nF,10%,10V,X5R,TP,2	1		SA
FQ3	0501-000422	TR-SMALL SIGNAL;KTA1273,PNP,-30V,-3	1		SA	HC80	2203-005148	C-CER,CHIP;100nF,10%,16V,X7R,TP,160	1		SA
FQ4	0504-000128	TR-DIGITAL;-NPN,200MW,22K/22K,SOT-	1		SA	HC81	2203-006361	C-CER,CHIP;1000nF,10%,10V,X5R,TP,2	1		SA
FR1	2007-009283	R-CHIP;27ohm,5%,1/2W,TP,5025	1		SA	HC82	2203-006361	C-CER,CHIP;1000nF,10%,10V,X5R,TP,2	1		SA
FR10	2007-000097	R-CHIP;47Kohm,5%,1/10W,TP,1608	1		SA	HD1	0402-000309	DIODE-RECTIFIER;1SR154-400,400V,1A,	1		SA
FR11	2007-000097	R-CHIP;47Kohm,5%,1/10W,TP,1608	1		SA	HDJ1	3701-001313	CONNECTOR-HDMI;19P,2R,PLUG,ANGLE,AU	1		SA
FR12	2007-007065	R-CHIP;10ohm,5%,1W,TP,6432	1		SA	HESD1	0406-001271	DIODE-TVS;RCLAMP0524P,6/-/-V,150W,S	1		SA
FR13	2007-000090	R-CHIP;10Kohm,5%,1/10W,TP,1608	1		SA	HESD2	0406-001271	DIODE-TVS;RCLAMP0524P,6/-/-V,150W,S	1		SA
FR14	2007-000078	R-CHIP;1Kohm,5%,1/10W,TP,1608	1		SA	HL01	3301-001495	BEAD-SMD;120ohm,2012,2500mA,TP,115o	1		SA
FR15	2007-000082	R-CHIP;3.3Kohm,5%,1/10W,TP,1608	1		SA	HL02	3301-001495	BEAD-SMD;120ohm,2012,2500mA,TP,115o	1		SA
FR2	2007-000097	R-CHIP;47Kohm,5%,1/10W,TP,1608	1		SA	HL03	3301-001495	BEAD-SMD;120ohm,2012,2500mA,TP,115o	1		SA
FR3	2007-001300	R-CHIP;56ohm,5%,1/2W,TP,5025	1		SA	HL04	3301-001495	BEAD-SMD;120ohm,2012,2500mA,TP,115o	1		SA

Exploded View & Part List

Loc. No.	Part No.	Description;Specification	Q'ty	SNA	Remark	Loc. No.	Part No.	Description;Specification	Q'ty	SNA	Remark
HL06	2007-000070	R-CHIP;0ohm,5%,1/10W,TP,1608	1		SA	HR59	2007-000074	R-CHIP;100ohm,5%,1/10W,TP,1608	1		SA
HL15	2007-000070	R-CHIP;0ohm,5%,1/10W,TP,1608	1		SA	HR60	2007-000084	R-CHIP;4.7Kohm,5%,1/10W,TP,1608	1		SA
HL16	2007-000070	R-CHIP;0ohm,5%,1/10W,TP,1608	1		SA	HR61	2007-000074	R-CHIP;100ohm,5%,1/10W,TP,1608	1		SA
HL17	2007-000070	R-CHIP;0ohm,5%,1/10W,TP,1608	1		SA	HR62	2007-002425	R-CHIP;1ohm,5%,1/10W,TP,1608	1		SA
HL18	3301-001069	BEAD-SMD;120ohm,1.6x0.8x0.8mm,200mA	1		SA	IC1CW	1201-002679	IC-AUDIO AMP;TAS5342DDV,HTSSOP,44P,	1		SA
HL19	2007-000070	R-CHIP;0ohm,5%,1/10W,TP,1608	1		SA	IC1L	1201-002679	IC-AUDIO AMP;TAS5342DDV,HTSSOP,44P,	1		SA
HL2	3301-001495	BEAD-SMD;120ohm,2012,2500mA,TP,115o	1		SA	IC1R	1201-002679	IC-AUDIO AMP;TAS5342DDV,HTSSOP,44P,	1		SA
HL20	2007-000070	R-CHIP;0ohm,5%,1/10W,TP,1608	1		SA	IC31	1205-003381	IC-TRANSMITTER;ES7108S,LQFP,80P,12x	1		SA
HL21	2007-000070	R-CHIP;0ohm,5%,1/10W,TP,1608	1		SA	IPB1	3301-001495	BEAD-SMD;120ohm,2012,2500mA,TP,115o	1		SA
HL22	2007-000070	R-CHIP;0ohm,5%,1/10W,TP,1608	1		SA	IPB2	3301-001495	BEAD-SMD;120ohm,2012,2500mA,TP,115o	1		SA
HL23	2007-000070	R-CHIP;0ohm,5%,1/10W,TP,1608	1		SA	IPB3	3301-001495	BEAD-SMD;120ohm,2012,2500mA,TP,115o	1		SA
HL24	2007-000070	R-CHIP;0ohm,5%,1/10W,TP,1608	1		SA	IPB4	3301-001495	BEAD-SMD;120ohm,2012,2500mA,TP,115o	1		SA
HL25	2007-000070	R-CHIP;0ohm,5%,1/10W,TP,1608	1		SA	IPB5	3301-001495	BEAD-SMD;120ohm,2012,2500mA,TP,115o	1		SA
HL26	2007-000070	R-CHIP;0ohm,5%,1/10W,TP,1608	1		SA	IPL2	3301-001495	BEAD-SMD;120ohm,2012,2500mA,TP,115o	1		SA
HL27	2007-000070	R-CHIP;0ohm,5%,1/10W,TP,1608	1		SA	IPR21	2007-000070	R-CHIP;0ohm,5%,1/10W,TP,1608	1		SA
HL28	2007-000070	R-CHIP;0ohm,5%,1/10W,TP,1608	1		SA	IPR5	2007-000094	R-CHIP;22Kohm,5%,1/10W,TP,1608	1		SA
HL29	2007-000070	R-CHIP;0ohm,5%,1/10W,TP,1608	1		SA	IRR1	2007-000113	R-CHIP;33ohm,5%,1/10W,TP,1608	1		SA
HL30	2007-000070	R-CHIP;0ohm,5%,1/10W,TP,1608	1		SA	J3	AH39-00940A	WIRE HARNESS;HT-X50,11,50mm,BLACK/W	1		SA
HPBD1	3301-001495	BEAD-SMD;120ohm,2012,2500mA,TP,115o	1		SA	KBD4	2203-005148	C-CER,CHIP;100nF,10%,16V,X7R,TP,160	1		SA
HPBD2	3301-001495	BEAD-SMD;120ohm,2012,2500mA,TP,115o	1		SA	KBD6	3301-001495	BEAD-SMD;120ohm,2012,2500mA,TP,115o	1		SA
HPC1	2203-005148	C-CER,CHIP;100nF,10%,16V,X7R,TP,160	1		SA	KC1	2203-005148	C-CER,CHIP;100nF,10%,16V,X7R,TP,160	1		SA
HPR11	2007-000072	R-CHIP;47ohm,5%,1/10W,TP,1608	1		SA	KR3	2007-000070	R-CHIP;0ohm,5%,1/10W,TP,1608	1		SA
HPR12	2007-000072	R-CHIP;47ohm,5%,1/10W,TP,1608	1		SA	KR4	2007-000070	R-CHIP;0ohm,5%,1/10W,TP,1608	1		SA
HPR13	2007-000072	R-CHIP;47ohm,5%,1/10W,TP,1608	1		SA	L1C	AH27-00073A	COIL FILTER;HT-Z320,11.0uH,18Mohm,1	1		SA
HPR14	2007-000072	R-CHIP;47ohm,5%,1/10W,TP,1608	1		SA	L1FL	AH27-00073A	COIL FILTER;HT-Z320,11.0uH,18Mohm,1	1		SA
HQ01	0505-000110	FET-SILICON;2N7002,N,60V,115mA,7.5o	1		SA	L1FR	AH27-00073A	COIL FILTER;HT-Z320,11.0uH,18Mohm,1	1		SA
HQ02	0505-000110	FET-SILICON;2N7002,N,60V,115mA,7.5o	1		SA	L1RL	AH27-00073A	COIL FILTER;HT-Z320,11.0uH,18Mohm,1	1		SA
HQ1	0504-000156	TR-DIGITAL;KSR2103,PNP,200MW,22K/22	1		SA	L1SW	AH27-00073A	COIL FILTER;HT-Z320,11.0uH,18Mohm,1	1		SA
HQ2	0504-000128	TR-DIGITAL;-NPN,200MW,22K/22K,SOT-	1		SA	L2C	AH27-00073A	COIL FILTER;HT-Z320,11.0uH,18Mohm,1	1		SA
HR1	2007-000084	R-CHIP;4.7Kohm,5%,1/10W,TP,1608	1		SA	L2FL	AH27-00073A	COIL FILTER;HT-Z320,11.0uH,18Mohm,1	1		SA
HR2	2007-000078	R-CHIP;1Kohm,5%,1/10W,TP,1608	1		SA	L2FR	AH27-00073A	COIL FILTER;HT-Z320,11.0uH,18Mohm,1	1		SA
HR27	2007-000070	R-CHIP;0ohm,5%,1/10W,TP,1608	1		SA	L2RL	AH27-00073A	COIL FILTER;HT-Z320,11.0uH,18Mohm,1	1		SA
HR28	2007-000075	R-CHIP;220ohm,5%,1/10W,TP,1608	1		SA	L2SW	AH27-00073A	COIL FILTER;HT-Z320,11.0uH,18Mohm,1	1		SA
HR29	2007-000075	R-CHIP;220ohm,5%,1/10W,TP,1608	1		SA	L3RR	AH27-00073A	COIL FILTER;HT-Z320,11.0uH,18Mohm,1	1		SA
HR30	2007-000070	R-CHIP;0ohm,5%,1/10W,TP,1608	1		SA	L4RR	AH27-00073A	COIL FILTER;HT-Z320,11.0uH,18Mohm,1	1		SA
HR31	2007-000070	R-CHIP;0ohm,5%,1/10W,TP,1608	1		SA	LOADSW	0505-001170	FET-SILICON;SI9933ADY-T1-P,-20V,3.4	1		SA
HR32	2007-000070	R-CHIP;0ohm,5%,1/10W,TP,1608	1		SA	MB02	3301-001495	BEAD-SMD;120ohm,2012,2500mA,TP,115o	1		SA
HR33	2007-000070	R-CHIP;0ohm,5%,1/10W,TP,1608	1		SA	MB03	3301-001495	BEAD-SMD;120ohm,2012,2500mA,TP,115o	1		SA
HR331	2007-000084	R-CHIP;4.7Kohm,5%,1/10W,TP,1608	1		SA	MB06	3301-001495	BEAD-SMD;120ohm,2012,2500mA,TP,115o	1		SA
HR332	2007-000084	R-CHIP;4.7Kohm,5%,1/10W,TP,1608	1		SA	MB07	3301-001495	BEAD-SMD;120ohm,2012,2500mA,TP,115o	1		SA
HR333	2007-000084	R-CHIP;4.7Kohm,5%,1/10W,TP,1608	1		SA	MB08	3301-001495	BEAD-SMD;120ohm,2012,2500mA,TP,115o	1		SA
HR334	2007-000084	R-CHIP;4.7Kohm,5%,1/10W,TP,1608	1		SA	MB10	3301-001495	BEAD-SMD;120ohm,2012,2500mA,TP,115o	1		SA
HR34	2007-000070	R-CHIP;0ohm,5%,1/10W,TP,1608	1		SA	MB15	3301-001495	BEAD-SMD;120ohm,2012,2500mA,TP,115o	1		SA
HR39	2007-000070	R-CHIP;0ohm,5%,1/10W,TP,1608	1		SA	MBR04	2007-000074	R-CHIP;100ohm,5%,1/10W,TP,1608	1		SA
HR40	2007-000729	R-CHIP;300ohm,5%,1/10W,TP,1608	1		SA	MC02	2203-005148	C-CER,CHIP;100nF,10%,16V,X7R,TP,160	1		SA
HR41	2007-000084	R-CHIP;4.7Kohm,5%,1/10W,TP,1608	1		SA	MC03	2401-000414	C-AL;10uF,20%,16V,GP,TP,4x7,5	1		SA
HR42	2007-000074	R-CHIP;100ohm,5%,1/10W,TP,1608	1		SA	MC04	2203-005148	C-CER,CHIP;100nF,10%,16V,X7R,TP,160	1		SA
HR43	2007-000074	R-CHIP;100ohm,5%,1/10W,TP,1608	1		SA	MC05	2203-006361	C-CER,CHIP;10000nF,10%,10V,X5R,TP,2	1		SA
HR44	2007-000503	R-CHIP;2.2ohm,5%,1/10W,TP,1608	1		SA	MC06	2203-006361	C-CER,CHIP;10000nF,10%,10V,X5R,TP,2	1		SA
HR45	2007-000503	R-CHIP;2.2ohm,5%,1/10W,TP,1608	1		SA	MC07	2203-005148	C-CER,CHIP;100nF,10%,16V,X7R,TP,160	1		SA
HR46	2007-000503	R-CHIP;2.2ohm,5%,1/10W,TP,1608	1		SA	MC08	2203-006361	C-CER,CHIP;10000nF,10%,10V,X5R,TP,2	1		SA
HR47	2007-000503	R-CHIP;2.2ohm,5%,1/10W,TP,1608	1		SA	MC09	2203-005148	C-CER,CHIP;100nF,10%,16V,X7R,TP,160	1		SA
HR48	2007-000503	R-CHIP;2.2ohm,5%,1/10W,TP,1608	1		SA	MC10	2203-005148	C-CER,CHIP;100nF,10%,16V,X7R,TP,160	1		SA
HR49	2007-000503	R-CHIP;2.2ohm,5%,1/10W,TP,1608	1		SA	MC11	2203-005148	C-CER,CHIP;100nF,10%,16V,X7R,TP,160	1		SA
HR50	2007-000503	R-CHIP;2.2ohm,5%,1/10W,TP,1608	1		SA	MC12	2203-005148	C-CER,CHIP;100nF,10%,16V,X7R,TP,160	1		SA
HR51	2007-000503	R-CHIP;2.2ohm,5%,1/10W,TP,1608	1		SA	MC124A	2203-001086	C-CER,CHIP;0.0050nF,0.25pF,50V,NP0,	1		SA
HR52	2007-000643	R-CHIP;270ohm,5%,1/10W,TP,1608	1		SA	MC13	2203-001086	C-CER,CHIP;0.0050nF,0.25pF,50V,NP0,	1		SA
HR53	2007-000116	R-CHIP;120ohm,5%,1/10W,TP,1608	1		SA	MC14	2203-005148	C-CER,CHIP;100nF,10%,16V,X7R,TP,160	1		SA
HR55	2007-000075	R-CHIP;220ohm,5%,1/10W,TP,1608	1		SA						

Loc. No.	Part No.	Description;Specification	Q'ty	SNA	Remark	Loc. No.	Part No.	Description;Specification	Q'ty	SNA	Remark
MC15	2203-005148	C-CER,CHIP;100nF,10%,16V,X7R,TP,160	1	SA		MR05	2011-001344	R-NETWORK;100ohm,5%,1/16W,L,CHIP,8P	1	SNA	
MC16	2203-005148	C-CER,CHIP;100nF,10%,16V,X7R,TP,160	1	SA		MR06	2011-001344	R-NETWORK;100ohm,5%,1/16W,L,CHIP,8P	1	SNA	
MC17	2203-005148	C-CER,CHIP;100nF,10%,16V,X7R,TP,160	1	SA		MR07	2011-001344	R-NETWORK;100ohm,5%,1/16W,L,CHIP,8P	1	SNA	
MC18	2203-005148	C-CER,CHIP;100nF,10%,16V,X7R,TP,160	1	SA		MR08	2011-001344	R-NETWORK;100ohm,5%,1/16W,L,CHIP,8P	1	SNA	
MC19	2203-005148	C-CER,CHIP;100nF,10%,16V,X7R,TP,160	1	SA		MR09	2011-001344	R-NETWORK;100ohm,5%,1/16W,L,CHIP,8P	1	SNA	
MC21	2203-006361	C-CER,CHIP;1000nF,10%,10V,X5R,TP,2	1	SA		MR1	2007-000074	R-CHIP;100ohm,5%,1/10W,TP,1608	1	SA	
MC22	2203-005148	C-CER,CHIP;100nF,10%,16V,X7R,TP,160	1	SA		MR10	2011-001344	R-NETWORK;100ohm,5%,1/16W,L,CHIP,8P	1	SNA	
MC23	2203-005148	C-CER,CHIP;100nF,10%,16V,X7R,TP,160	1	SA		MR100	2007-000121	R-CHIP;820ohm,5%,1/10W,TP,1608	1	SA	
MC24	2203-005148	C-CER,CHIP;100nF,10%,16V,X7R,TP,160	1	SA		MR102	2007-000113	R-CHIP;33ohm,5%,1/10W,TP,1608	1	SA	
MC25	2203-005148	C-CER,CHIP;100nF,10%,16V,X7R,TP,160	1	SA		MR103	2007-000113	R-CHIP;33ohm,5%,1/10W,TP,1608	1	SA	
MC26	2203-006361	C-CER,CHIP;1000nF,10%,10V,X5R,TP,2	1	SA		MR104	2007-000113	R-CHIP;33ohm,5%,1/10W,TP,1608	1	SA	
MC27	2203-005148	C-CER,CHIP;100nF,10%,16V,X7R,TP,160	1	SA		MR11	2011-001344	R-NETWORK;100ohm,5%,1/16W,L,CHIP,8P	1	SNA	
MC30	2203-005148	C-CER,CHIP;100nF,10%,16V,X7R,TP,160	1	SA		MR111	2007-000309	R-CHIP;10ohm,5%,1/10W,TP,1608	1	SA	
MC31	2203-006361	C-CER,CHIP;1000nF,10%,10V,X5R,TP,2	1	SA		MR112	2007-000309	R-CHIP;10ohm,5%,1/10W,TP,1608	1	SA	
MC32	2203-005148	C-CER,CHIP;100nF,10%,16V,X7R,TP,160	1	SA		MR113	2007-000309	R-CHIP;10ohm,5%,1/10W,TP,1608	1	SA	
MC33	2203-006361	C-CER,CHIP;1000nF,10%,10V,X5R,TP,2	1	SA		MR114	2007-000309	R-CHIP;10ohm,5%,1/10W,TP,1608	1	SA	
MC34	2203-005148	C-CER,CHIP;100nF,10%,16V,X7R,TP,160	1	SA		MR115	2007-000309	R-CHIP;10ohm,5%,1/10W,TP,1608	1	SA	
MC35	2203-006361	C-CER,CHIP;1000nF,10%,10V,X5R,TP,2	1	SA		MR12	2011-001344	R-NETWORK;100ohm,5%,1/16W,L,CHIP,8P	1	SNA	
MC36	2203-005148	C-CER,CHIP;100nF,10%,16V,X7R,TP,160	1	SA		MR120	2007-000081	R-CHIP;2.7Kohm,5%,1/10W,TP,1608	1	SA	
MC37	2203-000062	C-CER,CHIP;47nF,+80-20%,50V,Y5V,160	1	SA		MR121	2007-000113	R-CHIP;33ohm,5%,1/10W,TP,1608	1	SA	
MC38	2203-005148	C-CER,CHIP;100nF,10%,16V,X7R,TP,160	1	SA		MR122	2007-000113	R-CHIP;33ohm,5%,1/10W,TP,1608	1	SA	
MC39	2203-005148	C-CER,CHIP;100nF,10%,16V,X7R,TP,160	1	SA		MR123	2007-000113	R-CHIP;33ohm,5%,1/10W,TP,1608	1	SA	
MC40	2203-000646	C-CER,CHIP;0.024nF,5%,50V,C0G,TP,16	1	SA		MR124	2007-000113	R-CHIP;33ohm,5%,1/10W,TP,1608	1	SA	
MC41	2203-000681	C-CER,CHIP;0.027nF,5%,50V,C0G,1608	1	SA		MR13	2007-000074	R-CHIP;100ohm,5%,1/10W,TP,1608	1	SA	
MC42	2203-005148	C-CER,CHIP;100nF,10%,16V,X7R,TP,160	1	SA		MR14	2007-000074	R-CHIP;100ohm,5%,1/10W,TP,1608	1	SA	
MC43	2203-005148	C-CER,CHIP;100nF,10%,16V,X7R,TP,160	1	SA		MR15	2007-000084	R-CHIP;4.7Kohm,5%,1/10W,TP,1608	1	SA	
MC44	2203-005148	C-CER,CHIP;100nF,10%,16V,X7R,TP,160	1	SA		MR16	2007-000084	R-CHIP;4.7Kohm,5%,1/10W,TP,1608	1	SA	
MC45	2203-006361	C-CER,CHIP;1000nF,10%,10V,X5R,TP,2	1	SA		MR17	2007-000084	R-CHIP;4.7Kohm,5%,1/10W,TP,1608	1	SA	
MC46	2203-005148	C-CER,CHIP;100nF,10%,16V,X7R,TP,160	1	SA		MR18	2007-000084	R-CHIP;4.7Kohm,5%,1/10W,TP,1608	1	SA	
MC47	2203-005148	C-CER,CHIP;100nF,10%,16V,X7R,TP,160	1	SA		MR1A	2007-000113	R-CHIP;33ohm,5%,1/10W,TP,1608	1	SA	
MC48	2203-005148	C-CER,CHIP;100nF,10%,16V,X7R,TP,160	1	SA		MR2	2007-000074	R-CHIP;100ohm,5%,1/10W,TP,1608	1	SA	
MC49	2203-005148	C-CER,CHIP;100nF,10%,16V,X7R,TP,160	1	SA		MR201	2007-000113	R-CHIP;33ohm,5%,1/10W,TP,1608	1	SA	
MC50	2203-005148	C-CER,CHIP;100nF,10%,16V,X7R,TP,160	1	SA		MR202	2007-000113	R-CHIP;33ohm,5%,1/10W,TP,1608	1	SA	
MC51	2203-005148	C-CER,CHIP;100nF,10%,16V,X7R,TP,160	1	SA		MR23	2007-000074	R-CHIP;100ohm,5%,1/10W,TP,1608	1	SA	
MC52	2203-005148	C-CER,CHIP;100nF,10%,16V,X7R,TP,160	1	SA		MR26	2007-000113	R-CHIP;33ohm,5%,1/10W,TP,1608	1	SA	
MC53	2203-005148	C-CER,CHIP;100nF,10%,16V,X7R,TP,160	1	SA		MR27	2007-000090	R-CHIP;10Kohm,5%,1/10W,TP,1608	1	SA	
MC56	2203-006361	C-CER,CHIP;1000nF,10%,10V,X5R,TP,2	1	SA		MR28	2007-000121	R-CHIP;820ohm,5%,1/10W,TP,1608	1	SA	
MC57	2203-005148	C-CER,CHIP;100nF,10%,16V,X7R,TP,160	1	SA		MR29	2007-000113	R-CHIP;33ohm,5%,1/10W,TP,1608	1	SA	
MC58	2203-005148	C-CER,CHIP;100nF,10%,16V,X7R,TP,160	1	SA		MR2A	2007-000113	R-CHIP;33ohm,5%,1/10W,TP,1608	1	SA	
MC66	2203-005148	C-CER,CHIP;100nF,10%,16V,X7R,TP,160	1	SA		MR3	2007-000074	R-CHIP;100ohm,5%,1/10W,TP,1608	1	SA	
MC67	2203-005148	C-CER,CHIP;100nF,10%,16V,X7R,TP,160	1	SA		MR30	2007-000113	R-CHIP;33ohm,5%,1/10W,TP,1608	1	SA	
MC68	2203-005148	C-CER,CHIP;100nF,10%,16V,X7R,TP,160	1	SA		MR34	2007-000084	R-CHIP;4.7Kohm,5%,1/10W,TP,1608	1	SA	
MC75	2203-006361	C-CER,CHIP;1000nF,10%,10V,X5R,TP,2	1	SA		MR35	2007-000078	R-CHIP;1Kohm,5%,1/10W,TP,1608	1	SA	
MC77	2203-005148	C-CER,CHIP;100nF,10%,16V,X7R,TP,160	1	SA		MR36	2011-001344	R-NETWORK;100ohm,5%,1/16W,L,CHIP,8P	1	SNA	
MC90	2203-001596	C-CER,CHIP;2200nF,+80-20%,50V,Y5V,2	1	SA		MR37	2007-000118	R-CHIP;390ohm,5%,1/10W,TP,1608	1	SA	
MC91	2203-001596	C-CER,CHIP;2200nF,+80-20%,50V,Y5V,2	1	SA		MR38	2007-000070	R-CHIP;0ohm,5%,1/10W,TP,1608	1	SA	
MCON15	3709-001287	CONNECTOR-CARD SLOT;10P,1.5mm,SMD-A	1	SA		MR39	2007-000090	R-CHIP;10Kohm,5%,1/10W,TP,1608	1	SA	
MCON2	3711-000683	HEADER-BOARD TO CABLE;BOX,13P,1R,2m	1	SA		MR3A	2007-000070	R-CHIP;0ohm,5%,1/10W,TP,1608	1	SA	
MCON3	3708-001939	CONNECTOR-FPC/FFC/PIC;32P,1mm,STRAI	1	SA		MR4	2007-000074	R-CHIP;100ohm,5%,1/10W,TP,1608	1	SA	
MD01	0404-001089	DIODE-SCHOTTKY;RB551V-30,20V,500MA,	1	SA		MR40	2007-000074	R-CHIP;100ohm,5%,1/10W,TP,1608	1	SA	
MIC1	1204-002989	IC-PAL/NTSC DECODER;ES8391SCCB,LQFP	1	SA		MR41	2007-000090	R-CHIP;10Kohm,5%,1/10W,TP,1608	1	SA	
MIC2	1105-001573	IC-DRAM;K4S281632,-,128Mbit,8Mx16Bi	1	SA		MR42	2007-000090	R-CHIP;10Kohm,5%,1/10W,TP,1608	1	SA	
MIC3	1107-001600	IC-NOR FLASH;MX25L1605A,16Mbit,2Mx8	1	SA		MR49	2007-000133	R-CHIP;330Kohm,5%,1/10W,TP,1608	1	SA	
MIC6	1103-001333	IC-EEPROM;24C08A,8Kbit,1Kx8,SOP,8P,	1	SA		MR4A	2007-000070	R-CHIP;0ohm,5%,1/10W,TP,1608	1	SA	
MR01	2007-000074	R-CHIP;100ohm,5%,1/10W,TP,1608	1	SA		MR5	2007-000070	R-CHIP;0ohm,5%,1/10W,TP,1608	1	SA	
MR02	2007-000074	R-CHIP;100ohm,5%,1/10W,TP,1608	1	SA		MR51	2007-000102	R-CHIP;100Kohm,5%,1/10W,TP,1608	1	SA	
MR03	2011-001344	R-NETWORK;100ohm,5%,1/16W,L,CHIP,8P	1	SNA		MR54	2007-000084	R-CHIP;4.7Kohm,5%,1/10W,TP,1608	1	SA	
MR04	2011-001344	R-NETWORK;100ohm,5%,1/16W,L,CHIP,8P	1	SNA		MR58	2007-000084	R-CHIP;4.7Kohm,5%,1/10W,TP,1608	1	SA	
						MR59	2007-000090	R-CHIP;10Kohm,5%,1/10W,TP,1608	1	SA	

Exploded View & Part List

Loc. No.	Part No.	Description;Specification	Q'ty	SNA	Remark	Loc. No.	Part No.	Description;Specification	Q'ty	SNA	Remark
MR5A	2007-000070	R-CHIP;0ohm,5%,1/10W,TP,1608	1		SA	PWMC11	2203-006361	C-CER,CHIP;10000nF,10%,10V,X5R,TP,2	1		SA
MR89	2007-000113	R-CHIP;33ohm,5%,1/10W,TP,1608	1		SA	PWMC12	2203-000189	C-CER,CHIP;100nF,+80-20%,25V,Y5V,16	1		SA
MR90	2007-000113	R-CHIP;33ohm,5%,1/10W,TP,1608	1		SA	PWMC13	2203-005249	C-CER,CHIP;100nF,10%,50V,X7R,TP,160	1		SA
MR91	2007-000076	R-CHIP;330ohm,5%,1/10W,TP,1608	1		SA	PWMC14	2203-005249	C-CER,CHIP;100nF,10%,50V,X7R,TP,160	1		SA
MR92	2007-000119	R-CHIP;560ohm,5%,1/10W,TP,1608	1		SA	PWMC15	2203-005249	C-CER,CHIP;100nF,10%,50V,X7R,TP,160	1		SA
MR93	2007-000074	R-CHIP;100ohm,5%,1/10W,TP,1608	1		SA	PWMC16	2203-006361	C-CER,CHIP;10000nF,10%,10V,X5R,TP,2	1		SA
MR94	2007-000078	R-CHIP;1Kohm,5%,1/10W,TP,1608	1		SA	PWMC17	2203-005249	C-CER,CHIP;100nF,10%,50V,X7R,TP,160	1		SA
MR95	2007-000078	R-CHIP;1Kohm,5%,1/10W,TP,1608	1		SA	PWMC19	2203-006361	C-CER,CHIP;10000nF,10%,10V,X5R,TP,2	1		SA
MR96	2007-002425	R-CHIP;1ohm,5%,1/10W,TP,1608	1		SA	PWMC2	2203-000626	C-CER,CHIP;0.022nF,5%,50V,C0G,1608	1		SA
MX01	2801-004284	CRYSTAL-SMD;27MHZ,10PPM,28-AAN,20PF	1		SA	PWMC20	2203-005249	C-CER,CHIP;100nF,10%,50V,X7R,TP,160	1		SA
MX1	2801-004354	CRYSTAL-UNIT;12.288MHZ,30PPM,ATS-49	1		SA	PWMC22	2203-005249	C-CER,CHIP;100nF,10%,50V,X7R,TP,160	1		SA
NC6	2203-006361	C-CER,CHIP;10000nF,10%,10V,X5R,TP,2	1		SA	PWMC23	2203-005249	C-CER,CHIP;100nF,10%,50V,X7R,TP,160	1		SA
NC7	2203-006361	C-CER,CHIP;10000nF,10%,10V,X5R,TP,2	1		SA	PWMC24	2203-005249	C-CER,CHIP;100nF,10%,50V,X7R,TP,160	1		SA
NC8	2401-001164	C-AL;33uF,20%,16V,GP,TP,5x11mm,5mm	1		SA	PWMC25	2203-005249	C-CER,CHIP;100nF,10%,50V,X7R,TP,160	1		SA
ND3	0403-001284	DIODE-ZENER;RLZ3.3A,3.16-3.38V,500m	1		SA	PWMC26	2203-005249	C-CER,CHIP;100nF,10%,50V,X7R,TP,160	1		SA
ND4	0401-001090	DIODE-SWITCHING;1SS355,80V,100MA,SO	1		SA	PWMC27	2203-005249	C-CER,CHIP;100nF,10%,50V,X7R,TP,160	1		SA
ND5	0401-001090	DIODE-SWITCHING;1SS355,80V,100MA,SO	1		SA	PWMC28	2203-005249	C-CER,CHIP;100nF,10%,50V,X7R,TP,160	1		SA
NIC1	1201-000163	IC-OP AMP;4560,SOP,8P,173MIL,DUAL,1	1		SA	PWMC29	2203-005249	C-CER,CHIP;100nF,10%,50V,X7R,TP,160	1		SA
NQ3	0501-000010	TR-SMALL SIGNAL;KSC1008,NPN,800mW,T	1		SA	PWMC30	2203-005249	C-CER,CHIP;100nF,10%,50V,X7R,TP,160	1		SA
NR11	2007-000084	R-CHIP;4.7Kohm,5%,1/10W,TP,1608	1		SA	PWMC31	2203-005249	C-CER,CHIP;100nF,10%,50V,X7R,TP,160	1		SA
NR12	2007-000097	R-CHIP;47Kohm,5%,1/10W,TP,1608	1		SA	PWMC32	2203-006333	C-CER,CHIP;10000nF,20%,16V,X5R,TP,3	1		SA
NR13	2007-000084	R-CHIP;4.7Kohm,5%,1/10W,TP,1608	1		SA	PWMC34	2203-005249	C-CER,CHIP;100nF,10%,50V,X7R,TP,160	1		SA
NR14	2007-000074	R-CHIP;100ohm,5%,1/10W,TP,1608	1		SA	PWMC35	2203-005249	C-CER,CHIP;100nF,10%,50V,X7R,TP,160	1		SA
NR15	2007-000102	R-CHIP;100Kohm,5%,1/10W,TP,1608	1		SA	PWMC36	2203-005249	C-CER,CHIP;100nF,10%,50V,X7R,TP,160	1		SA
NR16	2007-000134	R-CHIP;33Kohm,5%,1/10W,TP,1608	1		SA	PWMC37	2203-005249	C-CER,CHIP;100nF,10%,50V,X7R,TP,160	1		SA
NR17	2007-000458	R-CHIP;18Kohm,5%,1/10W,TP,1608	1		SA	PWMC42	2203-006333	C-CER,CHIP;10000nF,20%,16V,X5R,TP,3	1		SA
NR18	2007-000097	R-CHIP;47Kohm,5%,1/10W,TP,1608	1		SA	PWMC5	2203-006361	C-CER,CHIP;10000nF,10%,10V,X5R,TP,2	1		SA
NR19	2007-000070	R-CHIP;0ohm,5%,1/10W,TP,1608	1		SA	PWMC6	2203-006361	C-CER,CHIP;10000nF,10%,10V,X5R,TP,2	1		SA
NR3	2007-000134	R-CHIP;33Kohm,5%,1/10W,TP,1608	1		SA	PWMC7	2203-006361	C-CER,CHIP;10000nF,10%,10V,X5R,TP,2	1		SA
NR4	2007-000092	R-CHIP;15Kohm,5%,1/10W,TP,1608	1		SA	PWMC8	2203-005249	C-CER,CHIP;100nF,10%,50V,X7R,TP,160	1		SA
OPR3	2007-000077	R-CHIP;470ohm,5%,1/10W,TP,1608	1		SA	PWMC9	2203-005249	C-CER,CHIP;100nF,10%,50V,X7R,TP,160	1		SA
OPTC1	2203-006361	C-CER,CHIP;10000nF,10%,10V,X5R,TP,2	1		SA	PWMC1	1204-002968	IC-MODULATOR;PS9830B,TQFP,100P,14x1	1		SA
OPTD1	3301-001495	BEAD-SMD;120ohm,2012,2500mA,TP,115o	1		SA	PWML1	3301-001069	BEAD-SMD;120ohm,1.6x0.8x0.8mm,200mA	1		SA
OPTIC	0603-001164	OPTIC TRANSMITTER;5V,16Mb/s,0m,0dBm	1		SA	PWML2	3301-001069	BEAD-SMD;120ohm,1.6x0.8x0.8mm,200mA	1		SA
OPTIONR1	2007-000070	R-CHIP;0ohm,5%,1/10W,TP,1608	1		SA	PWML3	3301-001069	BEAD-SMD;120ohm,1.6x0.8x0.8mm,200mA	1		SA
OPTR1	2007-000070	R-CHIP;0ohm,5%,1/10W,TP,1608	1		SA	PWMR1	2007-000077	R-CHIP;470ohm,5%,1/10W,TP,1608	1		SA
OPTR2	2007-000070	R-CHIP;0ohm,5%,1/10W,TP,1608	1		SA	PWMR10	2007-000090	R-CHIP;10Kohm,5%,1/10W,TP,1608	1		SA
PB1	3301-001495	BEAD-SMD;120ohm,2012,2500mA,TP,115o	1		SA	PWMR11	2007-000072	R-CHIP;47ohm,5%,1/10W,TP,1608	1		SA
PB13	3301-001495	BEAD-SMD;120ohm,2012,2500mA,TP,115o	1		SA	PWMR12	2007-000072	R-CHIP;47ohm,5%,1/10W,TP,1608	1		SA
PB2	3301-001495	BEAD-SMD;120ohm,2012,2500mA,TP,115o	1		SA	PWMR13	2007-000090	R-CHIP;10Kohm,5%,1/10W,TP,1608	1		SA
PB3	3301-001495	BEAD-SMD;120ohm,2012,2500mA,TP,115o	1		SA	PWMR14	2007-000070	R-CHIP;0ohm,5%,1/10W,TP,1608	1		SA
PB4	3301-001495	BEAD-SMD;120ohm,2012,2500mA,TP,115o	1		SA	PWMR15	2007-000090	R-CHIP;10Kohm,5%,1/10W,TP,1608	1		SA
PB5	3301-001495	BEAD-SMD;120ohm,2012,2500mA,TP,115o	1		SA	PWMR16	2007-000072	R-CHIP;47ohm,5%,1/10W,TP,1608	1		SA
PB6	3301-001495	BEAD-SMD;120ohm,2012,2500mA,TP,115o	1		SA	PWMR17	2007-000072	R-CHIP;47ohm,5%,1/10W,TP,1608	1		SA
PC20	2203-006361	C-CER,CHIP;10000nF,10%,10V,X5R,TP,2	1		SA	PWMR18	2007-000072	R-CHIP;47ohm,5%,1/10W,TP,1608	1		SA
PC21	2203-006361	C-CER,CHIP;10000nF,10%,10V,X5R,TP,2	1		SA	PWMR19	2007-000072	R-CHIP;47ohm,5%,1/10W,TP,1608	1		SA
PC23	2203-005249	C-CER,CHIP;100nF,10%,50V,X7R,TP,160	1		SA	PWMR20	2007-000070	R-CHIP;0ohm,5%,1/10W,TP,1608	1		SA
PC5	2203-006361	C-CER,CHIP;10000nF,10%,10V,X5R,TP,2	1		SA	PWMR22	2007-000094	R-CHIP;22Kohm,5%,1/10W,TP,1608	1		SA
PC6	2203-005249	C-CER,CHIP;100nF,10%,50V,X7R,TP,160	1		SA	PWMR23	2007-000113	R-CHIP;33ohm,5%,1/10W,TP,1608	1		SA
PC7	2401-001364	C-AL;470uF,20%,16V,GP,TP,10x12.5,5	1		SA	PWMR24	2007-000074	R-CHIP;100ohm,5%,1/10W,TP,1608	1		SA
PC8	2203-005249	C-CER,CHIP;100nF,10%,50V,X7R,TP,160	1		SA	PWMR25	2007-000074	R-CHIP;100ohm,5%,1/10W,TP,1608	1		SA
PCB	AH41-01194A	PCB-MAIN;HT-Z320,2Layer,T1.6,HT-Z32	1		SNA	PWMR26	2007-000074	R-CHIP;100ohm,5%,1/10W,TP,1608	1		SA
PD1	0402-000309	DIODE-RECTIFIER;1SR154-400,400V,1A,	1		SA	PWMR27	2007-000074	R-CHIP;100ohm,5%,1/10W,TP,1608	1		SA
PD2	0402-000309	DIODE-RECTIFIER;1SR154-400,400V,1A,	1		SA	PWMR28	2007-000072	R-CHIP;47ohm,5%,1/10W,TP,1608	1		SA
PIC1	1203-002935	IC-POS1.ADJUST REG.;AIC1117ACE,TO-2	1		SA	PWMR29	2007-000072	R-CHIP;47ohm,5%,1/10W,TP,1608	1		SA
PIC7	1203-002935	IC-POS1.ADJUST REG.;AIC1117ACE,TO-2	1		SA	PWMR3	2007-000109	R-CHIP;1Mohm,5%,1/10W,TP,1608	1		SA
PWMC1	2203-000626	C-CER,CHIP;0.022nF,5%,50V,C0G,1608	1		SA	PWMR30	2007-000072	R-CHIP;47ohm,5%,1/10W,TP,1608	1		SA
PWMC10	2203-005249	C-CER,CHIP;100nF,10%,50V,X7R,TP,160	1		SA	PWMR31	2007-000072	R-CHIP;47ohm,5%,1/10W,TP,1608	1		SA

Loc. No.	Part No.	Description;Specification	Q'ty	SNA	Remark	Loc. No.	Part No.	Description;Specification	Q'ty	SNA	Remark
PWMR32	2007-000072	R-CHIP;47ohm,5%,1/10W,TP,1608	1	SA		R3SW	2007-000129	R-CHIP;27Kohm,5%,1/10W,TP,1608	1	SA	
PWMR33	2007-000072	R-CHIP;47ohm,5%,1/10W,TP,1608	1	SA		R46	2007-000253	R-CHIP;1.5ohm,5%,1/4W,TP,3216	1	SA	
PWMR34	2007-000072	R-CHIP;47ohm,5%,1/10W,TP,1608	1	SA		R4C	2007-000090	R-CHIP;10Kohm,5%,1/10W,TP,1608	1	SA	
PWMR35	2007-000072	R-CHIP;47ohm,5%,1/10W,TP,1608	1	SA		R4FL	2007-000090	R-CHIP;10Kohm,5%,1/10W,TP,1608	1	SA	
PWMR36	2007-000072	R-CHIP;47ohm,5%,1/10W,TP,1608	1	SA		R4RL	2007-000090	R-CHIP;10Kohm,5%,1/10W,TP,1608	1	SA	
PWMR37	2007-000072	R-CHIP;47ohm,5%,1/10W,TP,1608	1	SA		R4RR	2007-000090	R-CHIP;10Kohm,5%,1/10W,TP,1608	1	SA	
PWMR38	2007-000072	R-CHIP;47ohm,5%,1/10W,TP,1608	1	SA		R4SW	2007-000090	R-CHIP;10Kohm,5%,1/10W,TP,1608	1	SA	
PWMR39	2007-000072	R-CHIP;47ohm,5%,1/10W,TP,1608	1	SA		R5C	2007-000070	R-CHIP;0ohm,5%,1/10W,TP,1608	1	SA	
PWMR7	2007-000090	R-CHIP;10Kohm,5%,1/10W,TP,1608	1	SA		R5FL	2007-000070	R-CHIP;0ohm,5%,1/10W,TP,1608	1	SA	
PWMR8	2007-000090	R-CHIP;10Kohm,5%,1/10W,TP,1608	1	SA		R5FR	2007-000070	R-CHIP;0ohm,5%,1/10W,TP,1608	1	SA	
PWMR9	2007-000090	R-CHIP;10Kohm,5%,1/10W,TP,1608	1	SA		R5RL	2007-000070	R-CHIP;0ohm,5%,1/10W,TP,1608	1	SA	
R101	2007-000070	R-CHIP;0ohm,5%,1/10W,TP,1608	1	SA		R5SW	2007-000070	R-CHIP;0ohm,5%,1/10W,TP,1608	1	SA	
R102	2007-000070	R-CHIP;0ohm,5%,1/10W,TP,1608	1	SA		R6C	2007-000034	R-CHIP;1ohm,5%,1/4W,TP,3216	1	SA	
R10C	2007-000090	R-CHIP;10Kohm,5%,1/10W,TP,1608	1	SA		R6FL	2007-000034	R-CHIP;1ohm,5%,1/4W,TP,3216	1	SA	
R10FL	2007-000090	R-CHIP;10Kohm,5%,1/10W,TP,1608	1	SA		R6FR	2007-000090	R-CHIP;10Kohm,5%,1/10W,TP,1608	1	SA	
R10FR	2007-000090	R-CHIP;10Kohm,5%,1/10W,TP,1608	1	SA		R6RL	2007-000034	R-CHIP;1ohm,5%,1/4W,TP,3216	1	SA	
R10RL	2007-000090	R-CHIP;10Kohm,5%,1/10W,TP,1608	1	SA		R6SW	2007-000034	R-CHIP;1ohm,5%,1/4W,TP,3216	1	SA	
R10SW	2007-000090	R-CHIP;10Kohm,5%,1/10W,TP,1608	1	SA		R7RR	2007-000070	R-CHIP;0ohm,5%,1/10W,TP,1608	1	SA	
R11C	2007-002425	R-CHIP;1ohm,5%,1/10W,TP,1608	1	SA		R8C	2007-000462	R-CHIP;18ohm,5%,1/8W,TP,2012	1	SA	
R11CC	2007-000034	R-CHIP;1ohm,5%,1/4W,TP,3216	1	SA		R8FL	2007-000462	R-CHIP;18ohm,5%,1/8W,TP,2012	1	SA	
R11FL	2007-002425	R-CHIP;1ohm,5%,1/10W,TP,1608	1	SA		R8RL	2007-000462	R-CHIP;18ohm,5%,1/8W,TP,2012	1	SA	
R11FR	2007-002425	R-CHIP;1ohm,5%,1/10W,TP,1608	1	SA		R8RR	2007-000034	R-CHIP;1ohm,5%,1/4W,TP,3216	1	SA	
R11RL	2007-002425	R-CHIP;1ohm,5%,1/10W,TP,1608	1	SA		R8SW	2007-000462	R-CHIP;18ohm,5%,1/8W,TP,2012	1	SA	
R11SW	2007-002425	R-CHIP;1ohm,5%,1/10W,TP,1608	1	SA		R9C	2007-000462	R-CHIP;18ohm,5%,1/8W,TP,2012	1	SA	
R12C	2007-000090	R-CHIP;10Kohm,5%,1/10W,TP,1608	1	SA		R9FL	2007-000462	R-CHIP;18ohm,5%,1/8W,TP,2012	1	SA	
R12FL	2007-000090	R-CHIP;10Kohm,5%,1/10W,TP,1608	1	SA		R9RL	2007-000462	R-CHIP;18ohm,5%,1/8W,TP,2012	1	SA	
R12FR	2007-000090	R-CHIP;10Kohm,5%,1/10W,TP,1608	1	SA		R9RR	2007-000312	R-CHIP;10ohm,5%,1/4W,TP,3216	1	SA	
R12RL	2007-000090	R-CHIP;10Kohm,5%,1/10W,TP,1608	1	SA		R9SW	2007-000462	R-CHIP;18ohm,5%,1/8W,TP,2012	1	SA	
R12SW	2007-000090	R-CHIP;10Kohm,5%,1/10W,TP,1608	1	SA		RB02	2703-003362	INDUCTOR-SMD;4.7uH,20%,7070	1	SA	
R13C	2007-002425	R-CHIP;1ohm,5%,1/10W,TP,1608	1	SA		RB03	3301-001495	BEAD-SMD;120ohm,2012,2500mA,TP,115o	1	SA	
R13FL	2007-002425	R-CHIP;1ohm,5%,1/10W,TP,1608	1	SA		RB04	3301-001495	BEAD-SMD;120ohm,2012,2500mA,TP,115o	1	SA	
R13FR	2007-002425	R-CHIP;1ohm,5%,1/10W,TP,1608	1	SA		RB05	3301-001069	BEAD-SMD;120ohm,1.6x0.8x0.8mm,200mA	1	SA	
R13RL(320)	2007-002425	R-CHIP;1ohm,5%,1/10W,TP,1608	1	SA		RB06	3301-001069	BEAD-SMD;120ohm,1.6x0.8x0.8mm,200mA	1	SA	
R13SW	2007-002425	R-CHIP;1ohm,5%,1/10W,TP,1608	1	SA		RC01	2401-001355	C-AL;470uF,20%,10V,GP,TP,8x11.5mm,5	1	SA	
R14FR	2007-000462	R-CHIP;18ohm,5%,1/8W,TP,2012	1	SA		RC02	2203-000257	C-CER,CHIP;10nF,10%,50V,X7R,TP,1608	1	SA	
R150	2007-000941	R-CHIP;47Kohm,5%,1/8W,TP,2012	1	SA		RC03	2203-000189	C-CER,CHIP;100nF,+80-20%,25V,Y5V,16	1	SA	
R15FR	2007-000462	R-CHIP;18ohm,5%,1/8W,TP,2012	1	SA		RC08	2203-005148	C-CER,CHIP;100nF,10%,16V,X7R,TP,160	1	SA	
R16RR	2007-000462	R-CHIP;18ohm,5%,1/8W,TP,2012	1	SA		RC10	2203-005148	C-CER,CHIP;100nF,10%,16V,X7R,TP,160	1	SA	
R17RR	2007-000462	R-CHIP;18ohm,5%,1/8W,TP,2012	1	SA		RC15	2401-001479	C-AL;470uF,20%,10V,GP,TP,6.3*11mm,5	1	SA	
R18RR	2007-000090	R-CHIP;10Kohm,5%,1/10W,TP,1608	1	SA		RC16	2401-001479	C-AL;470uF,20%,10V,GP,TP,6.3*11mm,5	1	SA	
R19RR	2007-000090	R-CHIP;10Kohm,5%,1/10W,TP,1608	1	SA		RC17	2203-005148	C-CER,CHIP;100nF,10%,16V,X7R,TP,160	1	SA	
R1FR	2007-000070	R-CHIP;0ohm,5%,1/10W,TP,1608	1	SA		RC18	2203-005148	C-CER,CHIP;100nF,10%,16V,X7R,TP,160	1	SA	
R1RL	2007-000070	R-CHIP;0ohm,5%,1/10W,TP,1608	1	SA		RC1A	2203-000257	C-CER,CHIP;10nF,10%,50V,X7R,TP,1608	1	SA	
R1SW	2007-000070	R-CHIP;0ohm,5%,1/10W,TP,1608	1	SA		RC20	2203-000189	C-CER,CHIP;100nF,+80-20%,25V,Y5V,16	1	SA	
R20RR	2007-002425	R-CHIP;1ohm,5%,1/10W,TP,1608	1	SA		RC21	2203-000189	C-CER,CHIP;100nF,+80-20%,25V,Y5V,16	1	SA	
R21RR	2007-002425	R-CHIP;1ohm,5%,1/10W,TP,1608	1	SA		RC23	2203-000189	C-CER,CHIP;100nF,+80-20%,25V,Y5V,16	1	SA	
R22FR	2007-000034	R-CHIP;1ohm,5%,1/4W,TP,3216	1	SA		RC24	2203-000440	C-CER,CHIP;1nF,10%,50V,X7R,1608	1	SA	
R24FR	2007-000070	R-CHIP;0ohm,5%,1/10W,TP,1608	1	SA		RC26	2203-000440	C-CER,CHIP;1nF,10%,50V,X7R,1608	1	SA	
R2C	2007-000312	R-CHIP;10ohm,5%,1/4W,TP,3216	1	SA		RC27	2203-000189	C-CER,CHIP;100nF,+80-20%,25V,Y5V,16	1	SA	
R2FL	2007-000312	R-CHIP;10ohm,5%,1/4W,TP,3216	1	SA		RC29	2203-000189	C-CER,CHIP;100nF,+80-20%,25V,Y5V,16	1	SA	
R2FR	2007-000034	R-CHIP;1ohm,5%,1/4W,TP,3216	1	SA		RC2A	2203-000257	C-CER,CHIP;10nF,10%,50V,X7R,TP,1608	1	SA	
R2RL	2007-000034	R-CHIP;1ohm,5%,1/4W,TP,3216	1	SA		RC30	2203-006361	C-CER,CHIP;10000nF,10%,10V,X5R,TP,2	1	SA	
R2SW	2007-000034	R-CHIP;1ohm,5%,1/4W,TP,3216	1	SA		RC30A	2203-006361	C-CER,CHIP;10000nF,10%,10V,X5R,TP,2	1	SA	
R32FR	2007-000694	R-CHIP;3.3ohm,5%,1/8W,TP,2012	1	SA		RC31	2203-000440	C-CER,CHIP;1nF,10%,50V,X7R,1608	1	SA	
R33RR	2007-000694	R-CHIP;3.3ohm,5%,1/8W,TP,2012	1	SA		RC32	2203-006361	C-CER,CHIP;10000nF,10%,10V,X5R,TP,2	1	SA	
R3C	2007-000034	R-CHIP;1ohm,5%,1/4W,TP,3216	1	SA		RC32A	2203-006361	C-CER,CHIP;10000nF,10%,10V,X5R,TP,2	1	SA	
R3FL	2007-000034	R-CHIP;1ohm,5%,1/4W,TP,3216	1	SA		RC33	2203-000440	C-CER,CHIP;1nF,10%,50V,X7R,1608	1	SA	
R3FR	2007-000129	R-CHIP;27Kohm,5%,1/10W,TP,1608	1	SA		RC42	2203-005015	C-CER,CHIP;150nF,+80-20%,16V,Y5V,16	1	SA	
R3RL	2007-000129	R-CHIP;27Kohm,5%,1/10W,TP,1608	1	SA							

Exploded View & Part List

Loc. No.	Part No.	Description;Specification	Q'ty	SNA	Remark	Loc. No.	Part No.	Description;Specification	Q'ty	SNA	Remark
RC43	2203-000440	C-CER,CHIP;1nF,10%,50V,X7R,1608	1	SA		RR37	2007-000308	R-CHIP;10ohm,5%,1/8W,TP,2012	1	SA	
RC44	2203-000888	C-CER,CHIP;4.7nF,10%,50V,X7R,TP,160	1	SA		RR38	2007-000308	R-CHIP;10ohm,5%,1/8W,TP,2012	1	SA	
RC45	2203-005065	C-CER,CHIP;1000nF,+80-20%,10V,Y5V,1	1	SA		RR39	2007-000090	R-CHIP;10Kohm,5%,1/10W,TP,1608	1	SA	
RC47	2203-006361	C-CER,CHIP;1000nF,10%,10V,X5R,TP,2	1	SA		RR3A	2007-000109	R-CHIP;1Mohm,5%,1/10W,TP,1608	1	SA	
RC49	2203-002398	C-CER,CHIP;22nF,10%,50V,X7R,1608	1	SA		RR40	2007-000075	R-CHIP;220ohm,5%,1/10W,TP,1608	1	SA	
RC50	2203-000280	C-CER,CHIP;0.01nF,0.5pF,50V,COG,160	1	SA		RR41	2007-000097	R-CHIP;47Kohm,5%,1/10W,TP,1608	1	SA	
RC51	2203-000236	C-CER,CHIP;0.1nF,5%,50V,COG,1608	1	SA		RR42	2007-000078	R-CHIP;1Kohm,5%,1/10W,TP,1608	1	SA	
RC52	2203-000440	C-CER,CHIP;1nF,10%,50V,X7R,1608	1	SA		RR43	2007-000060	R-CHIP;100Kohm,1%,1/10W,TP,1608	1	SA	
RC53	2203-006361	C-CER,CHIP;1000nF,10%,10V,X5R,TP,2	1	SA		RR44	2007-000060	R-CHIP;100Kohm,1%,1/10W,TP,1608	1	SA	
RC54	2203-001126	C-CER,CHIP;0.68nF,10%,50V,X7R,1608	1	SA		RR45	2007-000060	R-CHIP;100Kohm,1%,1/10W,TP,1608	1	SA	
RC55	2203-005148	C-CER,CHIP;100nF,10%,16V,X7R,TP,160	1	SA		RR46	2007-000060	R-CHIP;100Kohm,1%,1/10W,TP,1608	1	SA	
RC55A	2203-000189	C-CER,CHIP;100nF,+80-20%,25V,Y5V,16	1	SA		RR47	2007-000084	R-CHIP;4.7Kohm,5%,1/10W,TP,1608	1	SA	
RC56	2203-005148	C-CER,CHIP;100nF,10%,16V,X7R,TP,160	1	SA		RR48	2007-000124	R-CHIP;2.2Kohm,5%,1/10W,TP,1608	1	SA	
RC57	2203-000257	C-CER,CHIP;10nF,10%,50V,X7R,TP,1608	1	SA		RR49	2007-000458	R-CHIP;18Kohm,5%,1/10W,TP,1608	1	SA	
RC58	2203-006361	C-CER,CHIP;1000nF,10%,10V,X5R,TP,2	1	SA		RR4A	2007-000090	R-CHIP;10Kohm,5%,1/10W,TP,1608	1	SA	
RC59	2203-000236	C-CER,CHIP;0.1nF,5%,50V,COG,1608	1	SA		RR50	2007-000109	R-CHIP;1Mohm,5%,1/10W,TP,1608	1	SA	
RC60	2203-006361	C-CER,CHIP;1000nF,10%,10V,X5R,TP,2	1	SA		RR51	2007-000094	R-CHIP;22Kohm,5%,1/10W,TP,1608	1	SA	
RC61	2203-000257	C-CER,CHIP;10nF,10%,50V,X7R,TP,1608	1	SA		RR54	2007-000078	R-CHIP;1Kohm,5%,1/10W,TP,1608	1	SA	
RC62	2203-005148	C-CER,CHIP;100nF,10%,16V,X7R,TP,160	1	SA		RR56	2007-000082	R-CHIP;3.3Kohm,5%,1/10W,TP,1608	1	SA	
RC63	2203-001652	C-CER,CHIP;470nF,+80-20%,16V,Y5V,16	1	SA		RR57	2007-000120	R-CHIP;680ohm,5%,1/10W,TP,1608	1	SA	
RC64	2203-000257	C-CER,CHIP;10nF,10%,50V,X7R,TP,1608	1	SA		RR58	2007-000090	R-CHIP;10Kohm,5%,1/10W,TP,1608	1	SA	
RC65	2203-001652	C-CER,CHIP;470nF,+80-20%,16V,Y5V,16	1	SA		RR59	2007-000090	R-CHIP;10Kohm,5%,1/10W,TP,1608	1	SA	
RC66	2203-000257	C-CER,CHIP;10nF,10%,50V,X7R,TP,1608	1	SA		RR5A	2007-000122	R-CHIP;1.2Kohm,5%,1/10W,TP,1608	1	SA	
RC67	2203-006361	C-CER,CHIP;1000nF,10%,10V,X5R,TP,2	1	SA		RR60	2007-000071	R-CHIP;22ohm,5%,1/10W,TP,1608	1	SA	
RC68	2203-005148	C-CER,CHIP;100nF,10%,16V,X7R,TP,160	1	SA		RR61	2007-000078	R-CHIP;1Kohm,5%,1/10W,TP,1608	1	SA	
RC69	2203-001126	C-CER,CHIP;0.68nF,10%,50V,X7R,1608	1	SA		RR62	2007-000090	R-CHIP;10Kohm,5%,1/10W,TP,1608	1	SA	
RCRC1	2203-005934	C-CER,CHIP;1000nF,10%,6.3V,X7R,321	1	SA		RR63	2007-000071	R-CHIP;22ohm,5%,1/10W,TP,1608	1	SA	
RCRC2	2203-005934	C-CER,CHIP;1000nF,10%,6.3V,X7R,321	1	SA		RR64	2007-000078	R-CHIP;1Kohm,5%,1/10W,TP,1608	1	SA	
RD02	0407-000116	DIODE-ARRAY;KDS181, DAP202K,80V,100	1	SA		RR65	2007-000078	R-CHIP;1Kohm,5%,1/10W,TP,1608	1	SA	
RD2	0402-000309	DIODE-RECTIFIER;1SR154-400,400V,1A,	1	SA		RR66	2007-000090	R-CHIP;10Kohm,5%,1/10W,TP,1608	1	SA	
RESETC1	2401-000651	C-AL;2.2uF,20%,50V,GP,TP,4x7,5	1	SA		RR73	2007-000107	R-CHIP;470Kohm,5%,1/10W,TP,1608	1	SA	
RESETC2	2203-005148	C-CER,CHIP;100nF,10%,16V,X7R,TP,160	1	SA		RR74	2007-000090	R-CHIP;10Kohm,5%,1/10W,TP,1608	1	SA	
RESETC3	2203-005148	C-CER,CHIP;100nF,10%,16V,X7R,TP,160	1	SA		RR78	2007-000090	R-CHIP;10Kohm,5%,1/10W,TP,1608	1	SA	
RESETIC1	1203-003526	IC-VOL. DETECTOR;KIA7029AP,TO-92,3P	1	SA		RR7A	2007-000129	R-CHIP;27Kohm,5%,1/10W,TP,1608	1	SA	
RESETR1	2007-000094	R-CHIP;22Kohm,5%,1/10W,TP,1608	1	SA		RR86	2007-000122	R-CHIP;1.2Kohm,5%,1/10W,TP,1608	1	SA	
RESQ1	1203-003526	IC-VOL. DETECTOR;KIA7029AP,TO-92,3P	1	SA		RR87	2007-000078	R-CHIP;1Kohm,5%,1/10W,TP,1608	1	SA	
RIC3	1201-001842	IC-OP AMP;TL3472CD,SO,TP,8P,-,DUAL,	1	SA		RR88	2007-000122	R-CHIP;1.2Kohm,5%,1/10W,TP,1608	1	SA	
RIC4	1003-001978	IC-MOTOR DRIVER;AM5766,HSOP28H,28P,	1	SA		RR89	2007-000078	R-CHIP;1Kohm,5%,1/10W,TP,1608	1	SA	
RQ01	0504-000128	TR-DIGITAL;-NPN,200MW,22K/22K,SOT-	1	SA		RR90	2007-000084	R-CHIP;4.7Kohm,5%,1/10W,TP,1608	1	SA	
RQ02	0504-000128	TR-DIGITAL;-NPN,200MW,22K/22K,SOT-	1	SA		RR91	2007-000074	R-CHIP;100ohm,5%,1/10W,TP,1608	1	SA	
RQ03	0504-000128	TR-DIGITAL;-NPN,200MW,22K/22K,SOT-	1	SA		RR92	2007-000074	R-CHIP;100ohm,5%,1/10W,TP,1608	1	SA	
RQ04	0501-000632	TR-SMALL SIGNAL;2SB1197K,PNP,200mW,	1	SA		RR93	2007-000097	R-CHIP;47Kohm,5%,1/10W,TP,1608	1	SA	
RQ05	0501-000632	TR-SMALL SIGNAL;2SB1197K,PNP,200mW,	1	SA		RR94	2007-000097	R-CHIP;47Kohm,5%,1/10W,TP,1608	1	SA	
RR100	2007-000078	R-CHIP;1Kohm,5%,1/10W,TP,1608	1	SA		RR97	2007-000098	R-CHIP;56Kohm,5%,1/10W,TP,1608	1	SA	
RR114	2007-000113	R-CHIP;33ohm,5%,1/10W,TP,1608	1	SA		RR98	2007-000130	R-CHIP;39Kohm,5%,1/10W,TP,1608	1	SA	
RR13	2007-000094	R-CHIP;22Kohm,5%,1/10W,TP,1608	1	SA		RR99	2007-000077	R-CHIP;470ohm,5%,1/10W,TP,1608	1	SA	
RR15	2007-000087	R-CHIP;6.8Kohm,5%,1/10W,TP,1608	1	SA		SC1	2203-000236	C-CER,CHIP;0.1nF,5%,50V,COG,1608	1	SA	
RR1A	2007-000094	R-CHIP;22Kohm,5%,1/10W,TP,1608	1	SA		SC10	2203-000236	C-CER,CHIP;0.1nF,5%,50V,COG,1608	1	SA	
RR24	2007-000092	R-CHIP;15Kohm,5%,1/10W,TP,1608	1	SA		SC11	2203-000236	C-CER,CHIP;0.1nF,5%,50V,COG,1608	1	SA	
RR25	2007-000504	R-CHIP;2.2ohm,5%,1/4W,TP,3216	1	SA		SC12	2203-000998	C-CER,CHIP;0.047nF,5%,50V,COG,1608	1	SA	
RR26	2007-000504	R-CHIP;2.2ohm,5%,1/4W,TP,3216	1	SA		SC13	2203-000236	C-CER,CHIP;0.1nF,5%,50V,COG,1608	1	SA	
RR27	2007-000683	R-CHIP;3.3Kohm,1%,1/10W,TP,1608	1	SA		SC14	2203-000236	C-CER,CHIP;0.1nF,5%,50V,COG,1608	1	SA	
RR2A	2007-000078	R-CHIP;1Kohm,5%,1/10W,TP,1608	1	SA		SC15	2203-000236	C-CER,CHIP;0.1nF,5%,50V,COG,1608	1	SA	
RR32	2007-000308	R-CHIP;10ohm,5%,1/8W,TP,2012	1	SA		SC2	2203-000236	C-CER,CHIP;0.1nF,5%,50V,COG,1608	1	SA	
RR33	2007-000308	R-CHIP;10ohm,5%,1/8W,TP,2012	1	SA		SC3	2401-003221	C-AL;100uF,20%,16V,GP,TP,8X5.2.5	1	SA	
RR34	2007-000090	R-CHIP;10Kohm,5%,1/10W,TP,1608	1	SA		SC4	2401-003221	C-AL;100uF,20%,16V,GP,TP,8X5.2.5	1	SA	
RR35	2007-000075	R-CHIP;220ohm,5%,1/10W,TP,1608	1	SA		SC5	2203-000998	C-CER,CHIP;0.047nF,5%,50V,COG,1608	1	SA	
RR36	2007-000097	R-CHIP;47Kohm,5%,1/10W,TP,1608	1	SA		SC6	2401-003221	C-AL;100uF,20%,16V,GP,TP,8X5.2.5	1	SA	
						SC7	2203-000998	C-CER,CHIP;0.047nF,5%,50V,COG,1608	1	SA	

Loc. No.	Part No.	Description;Specification	Q'ty	SNA	Remark	Loc. No.	Part No.	Description;Specification	Q'ty	SNA	Remark
SC8	2203-000998	C-CER,CHIP;0.047nF,5%,50V,C0G,1608	1	SA		UCC10	2203-006361	C-CER,CHIP;10000nF,10%,10V,X5R,TP,2	1	SA	
SC9	2203-000236	C-CER,CHIP;0.1nF,5%,50V,C0G,1608	1	SA		UCC11	2203-005148	C-CER,CHIP;100nF,10%,16V,X7R,TP,160	1	SA	
SCART3	3722-001373	JACK-SCART;21P,SN,BLACK	1	SA		UCC12	2203-006361	C-CER,CHIP;10000nF,10%,10V,X5R,TP,2	1	SA	
SCREW	6003-000276	SCREW-TAPTYPE;BH,+,-,B,M3,L10,ZPC(W	4	SA		UCC3	2401-001355	C-AL;470uF,20%,10V,GP,TP,8x11.5mm,5	1	SA	
SDR1	2007-000070	R-CHIP;0ohm,5%,1/10W,TP,1608	1	SA		UCC4	2203-005148	C-CER,CHIP;100nF,10%,16V,X7R,TP,160	1	SA	
SIC1	1201-000163	IC-OP AMP;4560,SOP,8P,173MIL,DUAL,1	1	SA		UCC7	2203-006361	C-CER,CHIP;10000nF,10%,10V,X5R,TP,2	1	SA	
SL1	2703-000404	INDUCTOR-SMD;220uH,10%,3225	1	SA		UCC8	2203-005148	C-CER,CHIP;100nF,10%,16V,X7R,TP,160	1	SA	
SL2	2703-000404	INDUCTOR-SMD;220uH,10%,3225	1	SA		UD4	0401-001090	DIODE-SWITCHING;1SS355,80V,100MA,SO	1	SA	
SPK1	3716-001287	TERMINAL-BLOCK;WIRE TYPE,12P,43.2 m	1	SA		UD5	0401-001090	DIODE-SWITCHING;1SS355,80V,100MA,SO	1	SA	
SR1	2007-000309	R-CHIP;10ohm,5%,1/10W,TP,1608	1	SA		UD6	0401-001090	DIODE-SWITCHING;1SS355,80V,100MA,SO	1	SA	
SR10	2007-000094	R-CHIP;22Kohm,5%,1/10W,TP,1608	1	SA		UD7	0401-001090	DIODE-SWITCHING;1SS355,80V,100MA,SO	1	SA	
SR11	2007-000090	R-CHIP;10Kohm,5%,1/10W,TP,1608	1	SA		UIC1	0903-001565	IC-MICROCONTROLLER;LC87F5NC8AVU,QFP	1	SA	
SR12	2007-000090	R-CHIP;10Kohm,5%,1/10W,TP,1608	1	SA		UL1	2007-000070	R-CHIP;0ohm,5%,1/10W,TP,1608	1	SA	
SR13	2007-000132	R-CHIP;180Kohm,5%,1/10W,TP,1608	1	SA		UL2	2007-000070	R-CHIP;0ohm,5%,1/10W,TP,1608	1	SA	
SR14	2007-000132	R-CHIP;180Kohm,5%,1/10W,TP,1608	1	SA		UL3	2007-000070	R-CHIP;0ohm,5%,1/10W,TP,1608	1	SA	
SR15	2007-000094	R-CHIP;22Kohm,5%,1/10W,TP,1608	1	SA		UL4	2007-000070	R-CHIP;0ohm,5%,1/10W,TP,1608	1	SA	
SR16	2007-000094	R-CHIP;22Kohm,5%,1/10W,TP,1608	1	SA		UL5	2007-000070	R-CHIP;0ohm,5%,1/10W,TP,1608	1	SA	
SR17	2007-000090	R-CHIP;10Kohm,5%,1/10W,TP,1608	1	SA		UR1	2007-000078	R-CHIP;1Kohm,5%,1/10W,TP,1608	1	SA	
SR18	2007-000132	R-CHIP;180Kohm,5%,1/10W,TP,1608	1	SA		UR10	2007-000081	R-CHIP;2.7Kohm,5%,1/10W,TP,1608	1	SA	
SR19	2007-000102	R-CHIP;100Kohm,5%,1/10W,TP,1608	1	SA		UR118	2007-000074	R-CHIP;100ohm,5%,1/10W,TP,1608	1	SA	
SR2	2007-000113	R-CHIP;33ohm,5%,1/10W,TP,1608	1	SA		UR12	2007-000109	R-CHIP;1Mohm,5%,1/10W,TP,1608	1	SA	
SR20	2007-000132	R-CHIP;180Kohm,5%,1/10W,TP,1608	1	SA		UR13	2007-000402	R-CHIP;150ohm,5%,1/10W,TP,1608	1	SA	
SR21	2007-000094	R-CHIP;22Kohm,5%,1/10W,TP,1608	1	SA		UR130	2007-000078	R-CHIP;1Kohm,5%,1/10W,TP,1608	1	SA	
SR3	2007-000090	R-CHIP;10Kohm,5%,1/10W,TP,1608	1	SA		UR134	2007-000097	R-CHIP;47Kohm,5%,1/10W,TP,1608	1	SA	
SR4	2007-000090	R-CHIP;10Kohm,5%,1/10W,TP,1608	1	SA		UR15	2007-000090	R-CHIP;10Kohm,5%,1/10W,TP,1608	1	SA	
SR5	2007-000113	R-CHIP;33ohm,5%,1/10W,TP,1608	1	SA		UR16	2007-000074	R-CHIP;100ohm,5%,1/10W,TP,1608	1	SA	
SR6	2007-000102	R-CHIP;100Kohm,5%,1/10W,TP,1608	1	SA		UR17	2007-000090	R-CHIP;10Kohm,5%,1/10W,TP,1608	1	SA	
SR7	2007-000097	R-CHIP;47Kohm,5%,1/10W,TP,1608	1	SA		UR18	2007-000090	R-CHIP;10Kohm,5%,1/10W,TP,1608	1	SA	
SR8	2007-000097	R-CHIP;47Kohm,5%,1/10W,TP,1608	1	SA		UR2	2007-000078	R-CHIP;1Kohm,5%,1/10W,TP,1608	1	SA	
SR9	2007-000090	R-CHIP;10Kohm,5%,1/10W,TP,1608	1	SA		UR20	2007-000074	R-CHIP;100ohm,5%,1/10W,TP,1608	1	SA	
SW1	2007-000070	R-CHIP;0ohm,5%,1/10W,TP,1608	1	SA		UR20A	2007-000090	R-CHIP;10Kohm,5%,1/10W,TP,1608	1	SA	
TOUR3	2007-000074	R-CHIP;100ohm,5%,1/10W,TP,1608	1	SA		UR20C	2007-000090	R-CHIP;10Kohm,5%,1/10W,TP,1608	1	SA	
TUC1	2203-005148	C-CER,CHIP;100nF,10%,16V,X7R,TP,160	1	SA		UR21	2007-000074	R-CHIP;100ohm,5%,1/10W,TP,1608	1	SA	
TUC3	2401-001508	C-AL;47uF,20%,16V,GP,TP,6.3x5,5	1	SA		UR22	2007-000084	R-CHIP;4.7Kohm,5%,1/10W,TP,1608	1	SA	
TUNER1	AH40-00152A	TUNER-MODULE;KST-MW104FV1-S58,MAX-D	1	SA		UR22A	2007-000078	R-CHIP;1Kohm,5%,1/10W,TP,1608	1	SA	
TUQ1	0505-001930	FET-SILICON;MCH3319,P,-12V,-2.6A,MA	1	SA		UR23	2007-000102	R-CHIP;100Kohm,5%,1/10W,TP,1608	1	SA	
TUQ2	0504-000128	TR-DIGITAL;-NPN,200MW,22K/22K,SOT-	1	SA		UR24	2007-000102	R-CHIP;100Kohm,5%,1/10W,TP,1608	1	SA	
TUR1	2007-000082	R-CHIP;3.3Kohm,5%,1/10W,TP,1608	1	SA		UR25	2007-000102	R-CHIP;100Kohm,5%,1/10W,TP,1608	1	SA	
TUR10	2007-000082	R-CHIP;3.3Kohm,5%,1/10W,TP,1608	1	SA		UR26	2007-000070	R-CHIP;0ohm,5%,1/10W,TP,1608	1	SA	
TUR11	2007-000082	R-CHIP;3.3Kohm,5%,1/10W,TP,1608	1	SA		UR27	2011-001344	R-NETWORK;100ohm,5%,1/16W,L,CHIP,8P	1	SNA	
TUR12	2007-000082	R-CHIP;3.3Kohm,5%,1/10W,TP,1608	1	SA		UR3	2007-000078	R-CHIP;1Kohm,5%,1/10W,TP,1608	1	SA	
TUR13	2007-000090	R-CHIP;10Kohm,5%,1/10W,TP,1608	1	SA		UR31	2011-001344	R-NETWORK;100ohm,5%,1/16W,L,CHIP,8P	1	SNA	
TUR3	2007-000074	R-CHIP;100ohm,5%,1/10W,TP,1608	1	SA		UR33A	2007-000078	R-CHIP;1Kohm,5%,1/10W,TP,1608	1	SA	
TUR4	2007-000074	R-CHIP;100ohm,5%,1/10W,TP,1608	1	SA		UR38	2007-000074	R-CHIP;100ohm,5%,1/10W,TP,1608	1	SA	
TUR5	2007-000074	R-CHIP;100ohm,5%,1/10W,TP,1608	1	SA		UR4	2007-000074	R-CHIP;100ohm,5%,1/10W,TP,1608	1	SA	
TUR6	2007-000074	R-CHIP;100ohm,5%,1/10W,TP,1608	1	SA		UR40	2007-000084	R-CHIP;4.7Kohm,5%,1/10W,TP,1608	1	SA	
TUR9	2007-000082	R-CHIP;3.3Kohm,5%,1/10W,TP,1608	1	SA		UR42	2011-001344	R-NETWORK;100ohm,5%,1/16W,L,CHIP,8P	1	SNA	
UC1	2203-001607	C-CER,CHIP;0.22nF,5%,50V,NP0,1608	1	SA		UR43	2007-000070	R-CHIP;0ohm,5%,1/10W,TP,1608	1	SA	
UC15	2203-005148	C-CER,CHIP;100nF,10%,16V,X7R,TP,160	1	SA		UR44	2007-000070	R-CHIP;0ohm,5%,1/10W,TP,1608	1	SA	
UC16	2203-005148	C-CER,CHIP;100nF,10%,16V,X7R,TP,160	1	SA		UR46	2007-000074	R-CHIP;100ohm,5%,1/10W,TP,1608	1	SA	
UC1A	2203-005148	C-CER,CHIP;100nF,10%,16V,X7R,TP,160	1	SA		UR47	2007-000070	R-CHIP;0ohm,5%,1/10W,TP,1608	1	SA	
UC22	2203-000972	C-CER,CHIP;47nF,10%,16V,X7R,1608	1	SA		UR48	2007-000074	R-CHIP;100ohm,5%,1/10W,TP,1608	1	SA	
UC3	2203-001607	C-CER,CHIP;0.22nF,5%,50V,NP0,1608	1	SA		UR49	2007-000074	R-CHIP;100ohm,5%,1/10W,TP,1608	1	SA	
UC39	2203-005148	C-CER,CHIP;100nF,10%,16V,X7R,TP,160	1	SA		UR4A	2007-000084	R-CHIP;4.7Kohm,5%,1/10W,TP,1608	1	SA	
UC4	2203-000257	C-CER,CHIP;10nF,10%,50V,X7R,TP,1608	1	SA		UR5	2007-000074	R-CHIP;100ohm,5%,1/10W,TP,1608	1	SA	
UC55	2203-005148	C-CER,CHIP;100nF,10%,16V,X7R,TP,160	1	SA		UR50	2007-000070	R-CHIP;0ohm,5%,1/10W,TP,1608	1	SA	
UC88	2203-005148	C-CER,CHIP;100nF,10%,16V,X7R,TP,160	1	SA		UR51	2007-000070	R-CHIP;0ohm,5%,1/10W,TP,1608	1	SA	
UC9	2203-000257	C-CER,CHIP;10nF,10%,50V,X7R,TP,1608	1	SA		UR52	2007-000074	R-CHIP;100ohm,5%,1/10W,TP,1608	1	SA	

Exploded View & Part List

Loc. No.	Part No.	Description;Specification	Q'ty	SNA	Remark	Loc. No.	Part No.	Description;Specification	Q'ty	SNA	Remark
UR53	2007-000074	R-CHIP;100ohm,5%,1/10W,TP,1608	1		SA	VC7	2203-005065	C-CER,CHIP;1000nF,+80-20%,10V,Y5V,1	1		SA
UR54	2007-000074	R-CHIP;100ohm,5%,1/10W,TP,1608	1		SA	VC8	2203-005065	C-CER,CHIP;1000nF,+80-20%,10V,Y5V,1	1		SA
UR55	2007-000097	R-CHIP;47Kohm,5%,1/10W,TP,1608	1		SA	VC9	2203-005065	C-CER,CHIP;1000nF,+80-20%,10V,Y5V,1	1		SA
UR57	2011-001344	R-NETWORK;100ohm,5%,1/16W,L,CHIP,8P	1		SNA	VIC1	1204-001978	IC-VIDEO PROCESS;LA73054,36P,SSOP,7	1		SA
UR6	2007-000084	R-CHIP;4.7Kohm,5%,1/10W,TP,1608	1		SA	VJ4(OPEN)	3722-002448	JACK-PIN;3P,NI,YEL/WHT/RED,ANGLE	1		SA
UR61	2007-000074	R-CHIP;100ohm,5%,1/10W,TP,1608	1		SA	VJP1	2007-000029	R-CHIP;0ohm,5%,1/8W,TP,2012	1		SA
UR63	2007-000097	R-CHIP;47Kohm,5%,1/10W,TP,1608	1		SA	VJP2	2007-000029	R-CHIP;0ohm,5%,1/8W,TP,2012	1		SA
UR64	2007-000074	R-CHIP;100ohm,5%,1/10W,TP,1608	1		SA	VJP3	3301-001495	BEAD-SMD;120ohm,2012,2500mA,TP,115o	1		SA
UR65	2007-000074	R-CHIP;100ohm,5%,1/10W,TP,1608	1		SA	VL1	3301-001495	BEAD-SMD;120ohm,2012,2500mA,TP,115o	1		SA
UR6A	2007-000078	R-CHIP;1Kohm,5%,1/10W,TP,1608	1		SA	VL2	3301-001495	BEAD-SMD;120ohm,2012,2500mA,TP,115o	1		SA
UR7	2007-000084	R-CHIP;4.7Kohm,5%,1/10W,TP,1608	1		SA	VL20	2703-002275	INDUCTOR-SMD;33UH,10%,2012	1		SA
UR70	2011-001344	R-NETWORK;100ohm,5%,1/16W,L,CHIP,8P	1		SNA	VL21	2703-002275	INDUCTOR-SMD;33UH,10%,2012	1		SA
UR70A	2007-000078	R-CHIP;1Kohm,5%,1/10W,TP,1608	1		SA	VL26	3301-001495	BEAD-SMD;120ohm,2012,2500mA,TP,115o	1		SA
UR71A	2007-000076	R-CHIP;330ohm,5%,1/10W,TP,1608	1		SA	VL27	2703-002238	INDUCTOR-SMD;1UH,5%,2012	1		SA
UR72A	2007-000078	R-CHIP;1Kohm,5%,1/10W,TP,1608	1		SA	VL28	2703-002238	INDUCTOR-SMD;1UH,5%,2012	1		SA
UR73A	2007-000078	R-CHIP;1Kohm,5%,1/10W,TP,1608	1		SA	VL29	2703-002238	INDUCTOR-SMD;1UH,5%,2012	1		SA
UR74	2007-000074	R-CHIP;100ohm,5%,1/10W,TP,1608	1		SA	VL3	2703-002238	INDUCTOR-SMD;1UH,5%,2012	1		SA
UR75	2007-000074	R-CHIP;100ohm,5%,1/10W,TP,1608	1		SA	VL30	3301-001495	BEAD-SMD;120ohm,2012,2500mA,TP,115o	1		SA
UR76	2007-000074	R-CHIP;100ohm,5%,1/10W,TP,1608	1		SA	VL31	3301-001495	BEAD-SMD;120ohm,2012,2500mA,TP,115o	1		SA
UR77	2011-001344	R-NETWORK;100ohm,5%,1/16W,L,CHIP,8P	1		SNA	VL4	2703-002238	INDUCTOR-SMD;1UH,5%,2012	1		SA
UR8	2007-000081	R-CHIP;2.7Kohm,5%,1/10W,TP,1608	1		SA	VL5	2703-002238	INDUCTOR-SMD;1UH,5%,2012	1		SA
UR81	2007-000074	R-CHIP;100ohm,5%,1/10W,TP,1608	1		SA	VL6	2703-002238	INDUCTOR-SMD;1UH,5%,2012	1		SA
UR82	2007-000074	R-CHIP;100ohm,5%,1/10W,TP,1608	1		SA	VQ10	0504-000152	TR-DIGITAL;KSR2101,PNP,200mW,4.7K/4	1		SA
UR84	2011-001344	R-NETWORK;100ohm,5%,1/16W,L,CHIP,8P	1		SNA	VQ11	0501-002184	TR-SMALL SIGNAL;KTD1304,NPN,200mW,S	1		SA
UR9	2007-000078	R-CHIP;1Kohm,5%,1/10W,TP,1608	1		SA	VQ12	0501-002184	TR-SMALL SIGNAL;KTD1304,NPN,200mW,S	1		SA
UR93	2007-000074	R-CHIP;100ohm,5%,1/10W,TP,1608	1		SA	VQ13	0504-000128	TR-DIGITAL;-NPN,200MW,22K/22K,SOT-	1		SA
URM1	2007-000074	R-CHIP;100ohm,5%,1/10W,TP,1608	1		SA	VQ14	0501-002184	TR-SMALL SIGNAL;KTD1304,NPN,200mW,S	1		SA
URM2	2007-000074	R-CHIP;100ohm,5%,1/10W,TP,1608	1		SA	VQ15	0504-000128	TR-DIGITAL;-NPN,200MW,22K/22K,SOT-	1		SA
URM3	2007-000074	R-CHIP;100ohm,5%,1/10W,TP,1608	1		SA	VQ7	0501-000341	TR-SMALL SIGNAL;KSC1623-L,NPN,200mW	1		SA
URM4	2007-000074	R-CHIP;100ohm,5%,1/10W,TP,1608	1		SA	VR1	2007-001167	R-CHIP;75ohm,5%,1/10W,TP,1608	1		SA
VC1	2203-005148	C-CER,CHIP;100nF,10%,16V,X7R,TP,160	1		SA	VR10	2007-000125	R-CHIP;3.9Kohm,5%,1/10W,TP,1608	1		SA
VC10	2203-005065	C-CER,CHIP;1000nF,+80-20%,10V,Y5V,1	1		SA	VR11	2007-000084	R-CHIP;4.7Kohm,5%,1/10W,TP,1608	1		SA
VC11	2203-006361	C-CER,CHIP;10000nF,10%,10V,X5R,TP,2	1		SA	VR12	2007-001167	R-CHIP;75ohm,5%,1/10W,TP,1608	1		SA
VC12	2203-005148	C-CER,CHIP;100nF,10%,16V,X7R,TP,160	1		SA	VR13	2007-001167	R-CHIP;75ohm,5%,1/10W,TP,1608	1		SA
VC13	2203-005148	C-CER,CHIP;100nF,10%,16V,X7R,TP,160	1		SA	VR14	2007-001167	R-CHIP;75ohm,5%,1/10W,TP,1608	1		SA
VC14	2401-001092	C-AL;330uF,20%,10V,GP,-,8x11.5,2.5m	1		SA	VR15	2007-001167	R-CHIP;75ohm,5%,1/10W,TP,1608	1		SA
VC15	2401-001092	C-AL;330uF,20%,10V,GP,-,8x11.5,2.5m	1		SA	VR16	2007-001167	R-CHIP;75ohm,5%,1/10W,TP,1608	1		SA
VC16	2401-001092	C-AL;330uF,20%,10V,GP,-,8x11.5,2.5m	1		SA	VR17	2007-001167	R-CHIP;75ohm,5%,1/10W,TP,1608	1		SA
VC17	2401-000042	C-AL;100uF,20%,16V,GP,TP,6.3x7,5	1		SA	VR18	2007-001167	R-CHIP;75ohm,5%,1/10W,TP,1608	1		SA
VC18	2401-000042	C-AL;100uF,20%,16V,GP,TP,6.3x7,5	1		SA	VR2	2007-001167	R-CHIP;75ohm,5%,1/10W,TP,1608	1		SA
VC19	2401-000042	C-AL;100uF,20%,16V,GP,TP,6.3x7,5	1		SA	VR20	2007-000084	R-CHIP;4.7Kohm,5%,1/10W,TP,1608	1		SA
VC2	2203-006361	C-CER,CHIP;10000nF,10%,10V,X5R,TP,2	1		SA	VR21	2007-000097	R-CHIP;47Kohm,5%,1/10W,TP,1608	1		SA
VC20	2203-006361	C-CER,CHIP;10000nF,10%,10V,X5R,TP,2	1		SA	VR3	2007-001167	R-CHIP;75ohm,5%,1/10W,TP,1608	1		SA
VC21	2203-000783	C-CER,CHIP;0.33nF,5%,50V,COG,1608	1		SA	VR30	2007-000078	R-CHIP;1Kohm,5%,1/10W,TP,1608	1		SA
VC22	2401-000042	C-AL;100uF,20%,16V,GP,TP,6.3x7,5	1		SA	VR31	2007-000078	R-CHIP;1Kohm,5%,1/10W,TP,1608	1		SA
VC24	2203-000783	C-CER,CHIP;0.33nF,5%,50V,COG,1608	1		SA	VR32	2007-000078	R-CHIP;1Kohm,5%,1/10W,TP,1608	1		SA
VC26	2203-005148	C-CER,CHIP;100nF,10%,16V,X7R,TP,160	1		SA	VR38	2007-000082	R-CHIP;3.3Kohm,5%,1/10W,TP,1608	1		SA
VC3	2203-000280	C-CER,CHIP;0.01nF,0.5pF,50V,COG,160	1		SA	VR39	2007-000119	R-CHIP;560ohm,5%,1/10W,TP,1608	1		SA
VC30	2203-005148	C-CER,CHIP;100nF,10%,16V,X7R,TP,160	1		SA	VR4	2007-001167	R-CHIP;75ohm,5%,1/10W,TP,1608	1		SA
VC38	2401-001092	C-AL;330uF,20%,10V,GP,-,8x11.5,2.5m	1		SA	VR42	2007-000102	R-CHIP;100Kohm,5%,1/10W,TP,1608	1		SA
VC4	2203-000280	C-CER,CHIP;0.01nF,0.5pF,50V,COG,160	1		SA	VR44	2007-000084	R-CHIP;4.7Kohm,5%,1/10W,TP,1608	1		SA
VC40	2203-005148	C-CER,CHIP;100nF,10%,16V,X7R,TP,160	1		SA	VR48	2007-000090	R-CHIP;10Kohm,5%,1/10W,TP,1608	1		SA
VC45	2203-000257	C-CER,CHIP;10nF,10%,50V,X7R,TP,1608	1		SA	VR5	2007-001167	R-CHIP;75ohm,5%,1/10W,TP,1608	1		SA
VC46	2203-000257	C-CER,CHIP;10nF,10%,50V,X7R,TP,1608	1		SA	VR59	2007-000090	R-CHIP;10Kohm,5%,1/10W,TP,1608	1		SA
VC49	2203-000280	C-CER,CHIP;0.01nF,0.5pF,50V,COG,160	1		SA	VR6	2007-001167	R-CHIP;75ohm,5%,1/10W,TP,1608	1		SA
VC5	2203-000280	C-CER,CHIP;0.01nF,0.5pF,50V,COG,160	1		SA	VR60	2007-000090	R-CHIP;10Kohm,5%,1/10W,TP,1608	1		SA
VC50	2203-000280	C-CER,CHIP;0.01nF,0.5pF,50V,COG,160	1		SA	VR61	2007-000075	R-CHIP;220ohm,5%,1/10W,TP,1608	1		SA
VC51	2203-000280	C-CER,CHIP;0.01nF,0.5pF,50V,COG,160	1		SA	VR62	2007-000309	R-CHIP;10ohm,5%,1/10W,TP,1608	1		SA
VC6	2203-000280	C-CER,CHIP;0.01nF,0.5pF,50V,COG,160	1		SA						

Loc. No.	Part No.	Description;Specification	Q'ty	SNA	Remark	Loc. No.	Part No.	Description;Specification	Q'ty	SNA	Remark
VR66	2007-001167	R-CHIP;75ohm,5%,1/10W,TP,1608	1		SA	ZAR5	2007-000094	R-CHIP;22Kohm,5%,1/10W,TP,1608	1		SA
VR7	2007-001167	R-CHIP;75ohm,5%,1/10W,TP,1608	1		SA	ZAR6	2007-000094	R-CHIP;22Kohm,5%,1/10W,TP,1608	1		SA
VR8	2007-001167	R-CHIP;75ohm,5%,1/10W,TP,1608	1		SA	ZAR7	2007-000102	R-CHIP;100Kohm,5%,1/10W,TP,1608	1		SA
VRC20	2203-005065	C-CER,CHIP;1000nF,+80-20%,10V,Y5V,1	1		SA	ZAR8	2007-000097	R-CHIP;47Kohm,5%,1/10W,TP,1608	1		SA
VRC22	2203-005065	C-CER,CHIP;1000nF,+80-20%,10V,Y5V,1	1		SA	ZCV1	2203-000783	C-CER,CHIP;0.33nF,5%,50V,COG,1608	1		SA
WTL1	3301-001495	BEAD-SMD;120ohm,2012,2500mA,TP,115o	1		SA	ZCV2	2203-000783	C-CER,CHIP;0.33nF,5%,50V,COG,1608	1		SA
X-TAL1	2802-001174	RESONATOR-CERAMIC;10MHZ,0.5%,BK,8X3	1		SA		AH99-00250A	ASSY AUTO INSERT;HT-Z220,MAIN PCB A	1		SNA
ZAC1	2401-000651	C-AL;2.2uF,20%,50V,GP,TP,4x7,5	1		SA						
ZAC10	2203-000491	C-CER,CHIP;2.2nF,10%,50V,X7R,1608	1		SA	PCB-FRONT AH92-03031A ASSY PCB FRONT;DVD-RECEIVER,HT-Z220	1			SA	
ZAC11	2401-000414	C-AL;10uF,20%,16V,GP,TP,4x7,5	1		SA	BC1	2203-000257	C-CER,CHIP;10nF,10%,50V,X7R,TP,1608	1		SA
ZAC12	2203-005148	C-CER,CHIP;100nF,10%,16V,X7R,TP,160	1		SA	BC2	2203-000975	C-CER,CHIP;47nF,10%,25V,X7R,TP,1608	1		SA
ZAC13	2401-001508	C-AL;47uF,20%,16V,GP,TP,6.3x5,5	1		SA	FBD1	3301-001495	BEAD-SMD;120ohm,2012,2500mA,TP,115o	1		SA
ZAC14	2203-005148	C-CER,CHIP;100nF,10%,16V,X7R,TP,160	1		SA	FBD2	3301-001495	BEAD-SMD;120ohm,2012,2500mA,TP,115o	1		SA
ZAC15	2401-000651	C-AL;2.2uF,20%,50V,GP,TP,4x7,5	1		SA	FBD3	3301-001495	BEAD-SMD;120ohm,2012,2500mA,TP,115o	1		SA
ZAC16	2203-000783	C-CER,CHIP;0.33nF,5%,50V,COG,1608	1		SA	FC1	2203-000979	C-CER,CHIP;47nF,10%,50V,X7R,TP,2012	1		SA
ZAC18	2401-001508	C-AL;47uF,20%,16V,GP,TP,6.3x5,5	1		SA	FC2	2401-001492	C-AL;47uF,20%,16V,GP,-5x7mm,2.5	1		SA
ZAC19	2401-000651	C-AL;2.2uF,20%,50V,GP,TP,4x7,5	1		SA	FCOM1	3708-001945	CONNECTOR-FPC/FFC/PIC;32P,1mm,ANGLE	1		SA
ZAC2	2401-000651	C-AL;2.2uF,20%,50V,GP,TP,4x7,5	1		SA	FCOM2	AH39-01036A	WIRE HARNESS;HT-Z320,4P-4B F.L/W #2	1		SA
ZAC20	2203-000236	C-CER,CHIP;0.1nF,5%,50V,COG,1608	1		SA	FCW2	3711-000471	HEADER-BOARD TO CABLE;3WALL,4P,1R,2	1		SA
ZAC21	2007-000070	R-CHIP;0ohm,5%,1/10W,TP,1608	1		SA	FILTER_VFD	AH63-01537B	FILTER-VFD;HT-Z320,PC,T0,3,15,2,99,	1		SA
ZAC22	2203-000783	C-CER,CHIP;0.33nF,5%,50V,COG,1608	1		SA	FJ1	3406-001047	SWITCH-ROTARY;5V DC,0.5mA,12mm	1		SA
ZAC23	2203-002398	C-CER,CHIP;22nF,10%,50V,X7R,1608	1		SA	FR1	2007-000078	R-CHIP;1Kohm,5%,1/10W,TP,1608	1		SA
ZAC24	2401-000651	C-AL;2.2uF,20%,50V,GP,TP,4x7,5	1		SA	FR17	2007-000090	R-CHIP;10Kohm,5%,1/10W,TP,1608	1		SA
ZAC25	2401-000651	C-AL;2.2uF,20%,50V,GP,TP,4x7,5	1		SA	FR18	2007-000090	R-CHIP;10Kohm,5%,1/10W,TP,1608	1		SA
ZAC26	2203-005148	C-CER,CHIP;100nF,10%,16V,X7R,TP,160	1		SA	FR19	2007-000070	R-CHIP;0ohm,5%,1/10W,TP,1608	1		SA
ZAC27	2203-005148	C-CER,CHIP;100nF,10%,16V,X7R,TP,160	1		SA	FR2	2007-000123	R-CHIP;1.5Kohm,5%,1/10W,TP,1608	1		SA
ZAC28	2203-005148	C-CER,CHIP;100nF,10%,16V,X7R,TP,160	1		SA	FR20	2007-000070	R-CHIP;0ohm,5%,1/10W,TP,1608	1		SA
ZAC29	2203-000236	C-CER,CHIP;0.1nF,5%,50V,COG,1608	1		SA	FR21	2007-000094	R-CHIP;22Kohm,5%,1/10W,TP,1608	1		SA
ZAC3	2401-000651	C-AL;2.2uF,20%,50V,GP,TP,4x7,5	1		SA	FR22	2007-000116	R-CHIP;120ohm,5%,1/10W,TP,1608	1		SA
ZAC4	2401-000651	C-AL;2.2uF,20%,50V,GP,TP,4x7,5	1		SA	FR3	2007-000079	R-CHIP;1.8Kohm,5%,1/10W,TP,1608	1		SA
ZAC5	2203-005148	C-CER,CHIP;100nF,10%,16V,X7R,TP,160	1		SA	FR4	2007-000124	R-CHIP;2.2Kohm,5%,1/10W,TP,1608	1		SA
ZAC6	2203-005148	C-CER,CHIP;100nF,10%,16V,X7R,TP,160	1		SA	FR5	2007-000082	R-CHIP;3.3Kohm,5%,1/10W,TP,1608	1		SA
ZAC7	2401-000042	C-AL;100uF,20%,16V,GP,TP,6.3x7,5	1		SA	FR6	2007-000084	R-CHIP;4.7Kohm,5%,1/10W,TP,1608	1		SA
ZAC8	2203-006361	C-CER,CHIP;1000nF,10%,10V,X5R,TP,2	1		SA	FR7	2007-000072	R-CHIP;47ohm,5%,1/10W,TP,1608	1		SA
ZAC9	2203-000491	C-CER,CHIP;2.2nF,10%,50V,X7R,1608	1		SA	FZD2	0403-001064	DIODE-ZENER;RLZ5.1B,4.94-5.2V,500mW	1		SA
ZAL3	3301-001495	BEAD-SMD;120ohm,2012,2500mA,TP,115o	1		SA	HOLDER_VFD	AH61-02754A	HOLDER-VFD;HT-Z520,ABS,2,22,2,103.8	1		SA
ZAL7	3301-001495	BEAD-SMD;120ohm,2012,2500mA,TP,115o	1		SA	LED1	0601-001238	LED;ROUND,RED,3.1mm,697nm,3.8x5.2mm	1		SA
ZAQ1	0504-000156	TR-DIGITAL;KSR2103,PNP,200MW,22K/22	1		SA	PCB	AH41-01205A	PCB-FRONT;HT-Z220,KH,2LAYER,T1.6	0.334		SNA
ZAQ2	0504-000128	TR-DIGITAL;-NPN,200MW,22K/22K,SOT-	1		SA	REM_EYE	0609-001202	MODULE REMOCON;HORIZONTAL,12.4mm,TR	1		SA
ZAR1	2007-000094	R-CHIP;22Kohm,5%,1/10W,TP,1608	1		SA	SW1	3404-000165	SWITCH-TACT;12V,50mA,160gf,6x6mm,SP	1		SA
ZAR10	2007-000102	R-CHIP;100Kohm,5%,1/10W,TP,1608	1		SA	SW2	3404-000165	SWITCH-TACT;12V,50mA,160gf,6x6mm,SP	1		SA
ZAR11	2007-000094	R-CHIP;100ohm,5%,1/10W,TP,1608	1		SA	SW3	3404-000165	SWITCH-TACT;12V,50mA,160gf,6x6mm,SP	1		SA
ZAR19	2007-000074	R-CHIP;100ohm,5%,1/10W,TP,1608	1		SA	SW4	3404-000165	SWITCH-TACT;12V,50mA,160gf,6x6mm,SP	1		SA
ZAR2	2007-000102	R-CHIP;100Kohm,5%,1/10W,TP,1608	1		SA	SW5	3404-000165	SWITCH-TACT;12V,50mA,160gf,6x6mm,SP	1		SA
ZAR24	2007-000074	R-CHIP;100ohm,5%,1/10W,TP,1608	1		SA	SW6	3404-000165	SWITCH-TACT;12V,50mA,160gf,6x6mm,SP	1		SA
ZAR25	2007-000074	R-CHIP;100ohm,5%,1/10W,TP,1608	1		SA	SW9	3404-000165	SWITCH-TACT;12V,50mA,160gf,6x6mm,SP	1		SA
ZAR28	2007-000070	R-CHIP;0ohm,5%,1/10W,TP,1608	1		SA	UC100	2203-000975	C-CER,CHIP;47nF,10%,25V,X7R,TP,1608	1		SA
ZAR3	2007-000102	R-CHIP;100Kohm,5%,1/10W,TP,1608	1		SA	UC101	2203-000975	C-CER,CHIP;47nF,10%,25V,X7R,TP,1608	1		SA
ZAR30	2007-000070	R-CHIP;0ohm,5%,1/10W,TP,1608	1		SA	UC13	2401-003221	C-AL;100uF,20%,16V,GP,TP,8X5,2.5	1		SA
ZAR31	2007-000070	R-CHIP;0ohm,5%,1/10W,TP,1608	1		SA	UC2	2203-005249	C-CER,CHIP;100nF,10%,50V,X7R,TP,160	1		SA
ZAR32	2007-000070	R-CHIP;0ohm,5%,1/10W,TP,1608	1		SA	UC29	2203-005249	C-CER,CHIP;100nF,10%,50V,X7R,TP,160	1		SA
ZAR37	2007-000074	R-CHIP;100ohm,5%,1/10W,TP,1608	1		SA	UC3	2401-000485	C-AL;10UF,20%,50V,GP,TP,6.3X5MM,2.5	1		SA
ZAR38	2007-000074	R-CHIP;100ohm,5%,1/10W,TP,1608	1		SA	UC30	2401-000485	C-AL;10UF,20%,50V,GP,TP,6.3X5MM,2.5	1		SA
ZAR4	2007-000094	R-CHIP;22Kohm,5%,1/10W,TP,1608	1		SA	UC4	2203-005249	C-CER,CHIP;100nF,10%,50V,X7R,TP,160	1		SA
ZAR40	2007-000094	R-CHIP;22Kohm,5%,1/10W,TP,1608	1		SA	UC43	2203-005249	C-CER,CHIP;100nF,10%,50V,X7R,TP,160	1		SA
ZAR41	2007-000097	R-CHIP;47Kohm,5%,1/10W,TP,1608	1		SA	UC5	2401-000485	C-AL;10UF,20%,50V,GP,TP,6.3X5MM,2.5	1		SA
ZAR42	2007-000124	R-CHIP;2.2Kohm,5%,1/10W,TP,1608	1		SA	UIC2	1003-002176	IC-VFD;MC3401,LQFP,44P,10x10mm,-40m	1		SA
ZAR43	2007-000124	R-CHIP;2.2Kohm,5%,1/10W,TP,1608	1		SA	UR1	2007-000090	R-CHIP;10Kohm,5%,1/10W,TP,1608	1		SA

Exploded View & Part List

Loc. No.	Part No.	Description;Specification	Q'ty	SNA	Remark	Loc. No.	Part No.	Description;Specification	Q'ty	SNA	Remark
UR2	2007-000090	R-CHIP;10Kohm,5%,1/10W,TP,1608	1		SA						
UR5	2007-000101	R-CHIP;82Kohm,5%,1/10W,TP,1608	1		SA						
UR6	2007-000090	R-CHIP;10Kohm,5%,1/10W,TP,1608	1		SA						
UR7	2007-000074	R-CHIP;100ohm,5%,1/10W,TP,1608	1		SA						
UR8	2007-000074	R-CHIP;100ohm,5%,1/10W,TP,1608	1		SA						
UR9	2007-000074	R-CHIP;100ohm,5%,1/10W,TP,1608	1		SA						
USB	3722-002313	JACK-USB;4P/1C,AU30U,BLK,STRAIGHT,A	1		SA						
VFD	AH07-00246A	VF DISPLAY;HNA-09SS77,HT-Z520,88*16	1		SA						
	AH99-00289A	ASSY AUTO INSERT-FRONT PCB;- ,HT-Z22	1		SNA						
	AH97-00846A	ASSY SUB MATERIAL;AH97-00846A,-,-,-	1		SNA						
	0201-001356	CEMEDINE;A121	0.003		SNA						
	0201-001357	ADHESIVE-STRL;THREE BOND 1401B,GRN,	0.5		SNA						
FIL	0203-000007	TAPE-FILAMENT;T0.15,L55M,TRP	0.1		SNA						
	0203-001100	TAPE-OPP MASKING;OPP/W75/CLR,T0.05,	1.5		SNA						
	0203-001362	TAPE-DOUBLE FACE;#570 W10X50M CLR	0.1		SNA						
	0205-001366	GREASE-SILICON;T4110	1.4		SNA						
	AH98-00161B	ASSY ACCESSORY;- ,HT-Z220R/XEF,-,-	1		SNA						
	4301-000116	BATTERY-ALKALINE;1.5V,AAA,10.5x44.5	2		SA						
	6801-001763	CARD-REGISTRATION;Europe Registrati	1		SA						
	6902-000385	BAG PE;LDPE,T0.03,W250,L350,TRP,8,1	1		SA						
	AH39-40001V	CABLE-AUDIO CABLE;1P-1P,3000mm,YELL	1		SA						
	AH42-00021A	ANT FM T;T18011F-1,75 ohm,1800mm	1		SA						
	AH68-00650L	MARK RECYCLE-CARD-WARRANTY;YP-P2,EL	1		SA						
	AH68-02161C	MANUAL USERS;HT-Z220,XEF,FRN/NL/GER	1		SA						
	AH68-50254B	LABEL-SERIAL;T0.1.L10,W45,SME/SEHZ	1.05		SNA						
	AH98-00163B	ASSY LABEL;- ,HT-Z220R/XEF,-,-	1		SNA						
	3809-002052	CABLE-FLAT;30V,80,140mm,32P,1.0mm,U	1		SA						
	AH63-01301A	SHEET-SET;HT-Q40	1		SNA						
	AH68-00371A	LABEL-BAR CODE;DVD-611/XAA,MOJO2000	1.05		SNA						
	AH68-01929H	LABEL RATING;HT-A100,ELS,SLIVER PET	1.05		SNA						
	AH69-02462A	CUSHION-R;HT-Z220,EPS,25,440,500,60	1		SNA						
	AH69-02463A	CUSHION-L;HT-Z220,EPS,25,440,500,60	1		SNA						
	3903-000407	CBF-POWER CORD;AT,EU,CP2,HOUSING(2P	1		SA						
	AH59-02131B	REMOCON-ASSY;HT-Z220-EUR,SAMSUNG,23	1		SA						
	AH69-02464D	MASTER CARTON;HT-Z220,7,443,503,354	1.03		SA						
	AH96-00010C	ASSY DECK;HT-Z420/320/220,NEW TRAY,	1		SA						