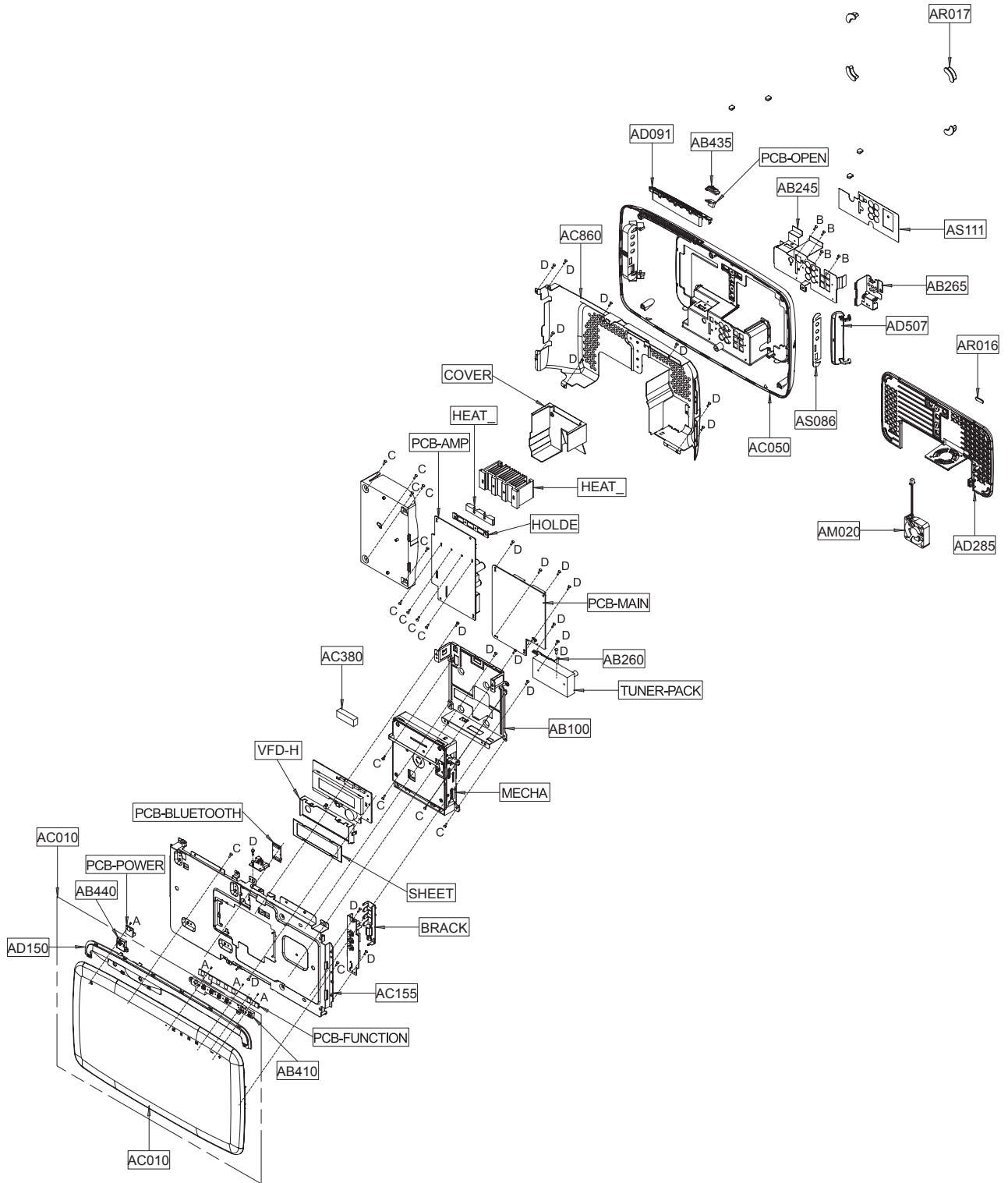

5. Exploded View & Part List

5-1	HT-X710T/EDC Exploded View	5-2
5-2	HT-X715T/EDC Exploded View	5-4
5-3	HT-X710 Speaker System	5-6
5-4	HT-X715 Speaker System	5-7
5-5	HT-X710T/EDC Electrical Part List.....	5-8
5-6	HT-X715T/EDC Electrical Part List.....	5-21

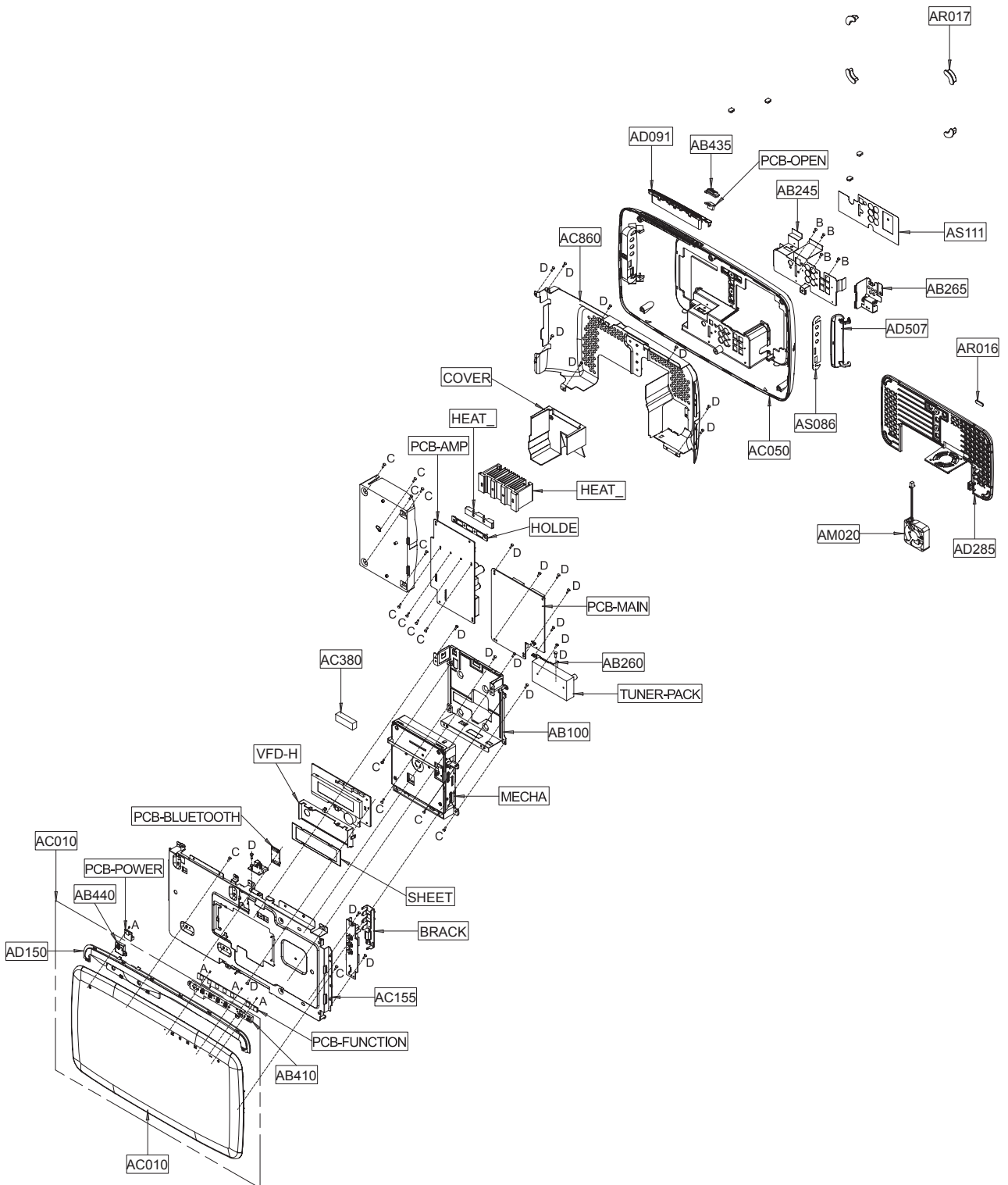
5-1 HT-X710T/EDC Exploded View



Part List

Loc. No.	Code No.	Description;Specification	Q'ty	SNA	Remark
AB100	AH61-02584A	BRACKET-DECK;HT-X715,SECC,T0.8,W161.9,L1	1	SA	
AB245	AH61-02585A	BRACKET-JACK;HT-X715,SUS,T0.2,W161,L69,-	1	SA	
AB260	AH61-02583A	BRACKET-PCB;HT-X715,SECC,T0.8,W53,L47.6,	1	SA	
AB265	AH61-02662A	BRACKET-POWER;HT-X715,SECC,T0.6,W90,L75,	1	SA	
AB410	AH64-04586A	BUTTON-FUNCTION;HT-X715,ABS+PC,-,-,BLK,-	1	SA	
AB435	AH64-04587A	BUTTON-OPEN;HT-X715,ABS+PC,-,-,BLK,-	1	SA	
AB440	AH64-04585A	BUTTON-POWER;HT-X715,ABS+PC,-,-,BLK,-	1	SA	
AC010	AH64-04583A	CABINET-FRONT;HT-X715,ABS+PMMA,T2.5,W250	1	SNA	
AC010	AH97-02712A	ASSY-CABINET FRONT;HT-X715T/XAA,ASSY	1	SA	
AC050	AH64-04582F	CABINET-REAR;HT-X710/XEF,ABS+PMMA,-,-,-,	1	SA	
AC155	AH64-04591A	CHASSIS-FRONT;HT-X715,SECC,T0.8,W213.5,L	1	SA	
AC380	AH63-01715A	CUSHION-PCB;HT-X715,EVA,T10,W10,L25,BLK,	1	SNA	
AC860	AH64-04592B	CHASSIS-REAR;HT-X715/XEF,SECC,T0.8,W226,	1	SA	
AD091	AH64-04588A	DECORATION-DISC;HT-X715,ABS,T1.5,W11.8,L	1	SA	
AD150	AH64-04584A	DECORATION-FRONT;HT-X715,ABS,T1.8,W36.9,	1	SA	
AD285	AH64-04589B	DECORATION-REAR;HT-X715T/XEF,ABS,T2.5,W1	1	SA	
AD507	AH64-04590A	DOOR-JACK;HT-X715,ABS,T2.0,-,W24.2,L120,	1	SA	
AH383	AH61-02582A	HOLDER-SMPS;HT-X715,HIPS 94V0,T1.5,W183.	1	SA	
AM020	AH31-00039D	MOTOR FAN;XRL081096,RDM5015S,0.12A,-,1.4	1	SA	
AR016	AH73-00142A	RUBBER-FOOT DECO;HT-X715,RUBBER,20MM,6MM	1	SNA	
AR017	AH73-00132A	RUBBER-FOOT REAR;HT-X715,RUBBER,5,-,7.2,	4	SNA	
AS086	AH63-01645F	SHEET-JACK;HT-X710/XEF,PC,-,-,-,-,-	1	SNA	
AS111	AH63-01678B	SHEET-REAR;HT-X710,SHEET,T0.3,-,-,BLK,-	1	SNA	
BRACK	AH61-02641A	BRACKET-EMI;HT-X715,SPTE,T0.3,W18.8,L86.	1	SA	
COVER	AH63-01718A	COVER-HEAT SINK;HT-X715,PBT,T2,W98,L98,-	1	SA	
HEAT_	AH62-00188A	HEAT SINK-AMP;HT-X715,AL,T5.0,W38,L92.6,	1	SA	
HEAT_	AH62-00195A	HEAT SINK-IC;HT-X715,AL,-,W12,L70.8,-,-,	1	SA	
HOLDE	AH61-02581A	HOLDER-IC;HT-X715,PBT,T0.9,W11,L92,BLK,-	1	SA	
SHEET	AH63-01558A	SHEET-FILTER;HT-A100,PC,T0.3,W36,L126,-,	1	SNA	
VFD-H	AH61-02523A	HOLDER-VFD;HT-A100,ABS,T1.5,W32.3,L108,B	1	SA	
MECHA	AH59-01773A	DECK-MECHA DVD;VSH-L33D-0826,-,MAGNET,31	1	SA	
PCB-AMP	AH92-02904B	ASSY PCB-AMP;HT-X710 AMP PCB-XEF,EXPOXY,	1	SA	
PCB-BLUETOOTH	AH92-02839A	ASSY PCB-BLUETOOTH;HT-X715,BLUETOOTH	1	SA	
PCB-FUNCTION	AH81-04204D	A/S PART-FUNCTION PCB;HT-X810,-,-,-,-,-	1	SA	
PCB-MAIN	AH92-02833A	ASSY PCB-MAIN;HT-X715 MAIN PCB,EXPOXY,4L	1	SA	
PCB-OPEN	AH92-02834A	ASSY PCB-KEY;HT-X715 KEY PCB,EXPOXY,2LAY	1	SA	
PCB-POWER	AH81-04204A	A/S PART-POWER PCB;HT-X715,-,-,-,-,-	1	SA	
TUNER-PACK	AH40-00108A	TUNER-PACK;KST-ML004FA0-H53,HT-P1200,FM,	1	SA	
A	6003-001049	SCREW-TAPTITE;CH,+,-,B,M1.4,L4,ZPC(BLK),SW	4	SNA	
B	6003-000275	SCREW-TAPTITE;BH,+,-,B,M3,L10,ZPC(BLK),S	20	SNA	
C	6003-000276	SCREW-TAPTITE;BH,+,-,B,M3,L10,ZPC(WHT),S	22	SA	
D	6003-001561	SCREW-TAPTITE;BH,+,-,B,M3,L6,ZPC(WHT),SW	27	SNA	

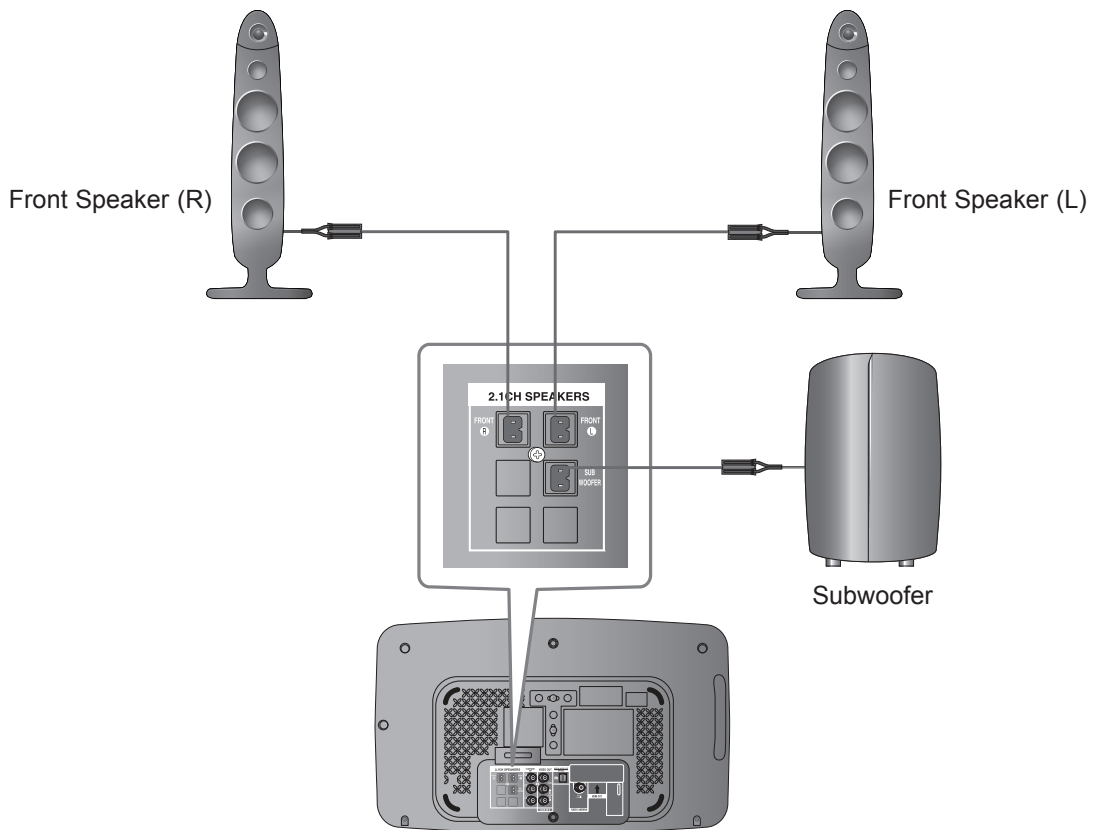
5-2 HT-X715T/EDC Exploded View



Part List

Loc. No.	Code No.	Description;Specification	Q'ty	SNA	Remark
AB100	AH61-02584A	BRACKET-DECK;HT-X715,SECC,T0.8,W161.9,L1	1	SA	
AB245	AH61-02585A	BRACKET-JACK;HT-X715,SUS,T0.2,W161,L69,-	1	SA	
AB260	AH61-02583A	BRACKET-PCB;HT-X715,SECC,T0.8,W53,L47.6,	1	SA	
AB265	AH61-02662A	BRACKET-POWER;HT-X715,SECC,T0.6,W90,L75,	1	SA	
AB410	AH64-04586A	BUTTON-FUNCTION;HT-X715,ABS+PC,-,-,BLK,-	1	SA	
AB435	AH64-04587A	BUTTON-OPEN;HT-X715,ABS+PC,-,-,BLK,-	1	SA	
AB440	AH64-04585A	BUTTON-POWER;HT-X715,ABS+PC,-,-,BLK,-	1	SA	
AC010	AH64-04583A	CABINET-FRONT;HT-X715,ABS+PMMA,T2.5,W250	1	SNA	
AC010	AH97-02712A	ASSY-CABINET FRONT;HT-X715T/XAA,ASSY	1	SA	
AC050	AH64-04582E	CABINET-REAR;HT-X715/XEF,ABS+PMMA,-,-,-	1	SNA	
AC155	AH64-04591A	CHASSIS-FRONT;HT-X715,SECC,T0.8,W213.5,L	1	SA	
AC380	AH63-01715A	CUSHION-PCB;HT-X715,EVA,T10,W10,L25,BLK,	1	SNA	
AC860	AH64-04592B	CHASSIS-REAR;HT-X715/XEF,SECC,T0.8,W226,	1	SA	
AD091	AH64-04588A	DECORATION-DISC;HT-X715,ABS,T1.5,W11.8,L	1	SA	
AD150	AH64-04584A	DECORATION-FRONT;HT-X715,ABS,T1.8,W36.9,	1	SA	
AD285	AH64-04589B	DECORATION-REAR;HT-X715T/XEF,ABS,T2.5,W1	1	SA	
AD507	AH64-04590A	DOOR-JACK;HT-X715,ABS,T2.0,-,W24.2,L120,	1	SA	
AH383	AH61-02582A	HOLDER-SMPS;HT-X715,HIPS 94V0,T1.5,W183.	1	SA	
AM020	AH31-00039D	MOTOR FAN;XRL081096,RDM5015S,0.12A,-,1.4	1	SA	
AR016	AH73-00142A	RUBBER-FOOT DECO;HT-X715,RUBBER,20MM,6MM	1	SNA	
AR017	AH73-00132A	RUBBER-FOOT REAR;HT-X715,RUBBER,5,-,7.2,	4	SNA	
AS086	AH63-01645B	SHEET-JACK;HT-X715/XEF,PC,T0.5,W20,L100,	1	SNA	
AS111	AH63-01678A	SHEET-REAR;HT-X715,TETRON PAPER,T0.2,W15	1	SNA	
BRACK	AH61-02641A	BRACKET-EMI;HT-X715,SPTE,T0.3,W18.8,L86.	1	SA	
COVER	AH63-01718A	COVER-HEAT SINK;HT-X715,PBT,T2,W98,L98,-	1	SA	
HEAT_	AH62-00188A	HEAT SINK-AMP;HT-X715,AL,T5.0,W38,L92.6,	1	SA	
HEAT_	AH62-00195A	HEAT SINK-IC;HT-X715,AL,-,W12,L70.8,-,-,	1	SA	
HOLDE	AH61-02581A	HOLDER-IC;HT-X715,PBT,T0.9,W11,L92,BLK,-	1	SA	
SHEET	AH63-01558A	SHEET-FILTER;HT-A100,PC,T0.3,W36,L126,-,	1	SNA	
VFD-H	AH61-02523A	HOLDER-VFD;HT-A100,ABS,T1.5,W32.3,L108,B	1	SA	
MECHA	AH59-01773A	DECK-MECHA DVD;VSH-L33D-0826,-,MAGNET,31	1	SA	
PCB-AMP	AH92-02835A	ASSY PCB-AMP;HT-X715 AMP PCB,EXPOXY,2LAY	1	SA	
PCB-BLUETOOTH	AH92-02839A	ASSY PCB-BLUETOOTH;HT-X715,BLUETOOTH	1	SA	
PCB-FUNCTION	AH81-04204D	A/S PART-FUNCTION PCB;HT-X810,-,-,-,-	1	SA	
PCB-MAIN	AH92-02833A	ASSY PCB-MAIN;HT-X715 MAIN PCB,EXPOXY,4L	1	SA	
PCB-OPEN	AH92-02834A	ASSY PCB-KEY;HT-X715 KEY PCB,EXPOXY,2LAY	1	SA	
PCB-POWER	AH81-04204A	A/S PART-POWER PCB;HT-X715,-,-,-,-	1	SA	
TUNER-PACK	AH40-00108A	TUNER-PACK;KST-ML004FA0-H53,HT-P1200,FM,	1	SA	
A	6003-001049	SCREW-TAPTITE;CH,+,-,B,M1.4,L4,ZPC(BLK),SW	4	SNA	
B	6003-000275	SCREW-TAPTITE;BH,+,-,B,M3,L10,ZPC(BLK),S	20	SNA	
C	6003-000276	SCREW-TAPTITE;BH,+,-,B,M3,L10,ZPC(WHT),S	22	SA	
D	6003-001561	SCREW-TAPTITE;BH,+,-,B,M3,L6,ZPC(WHT),SW	27	SNA	

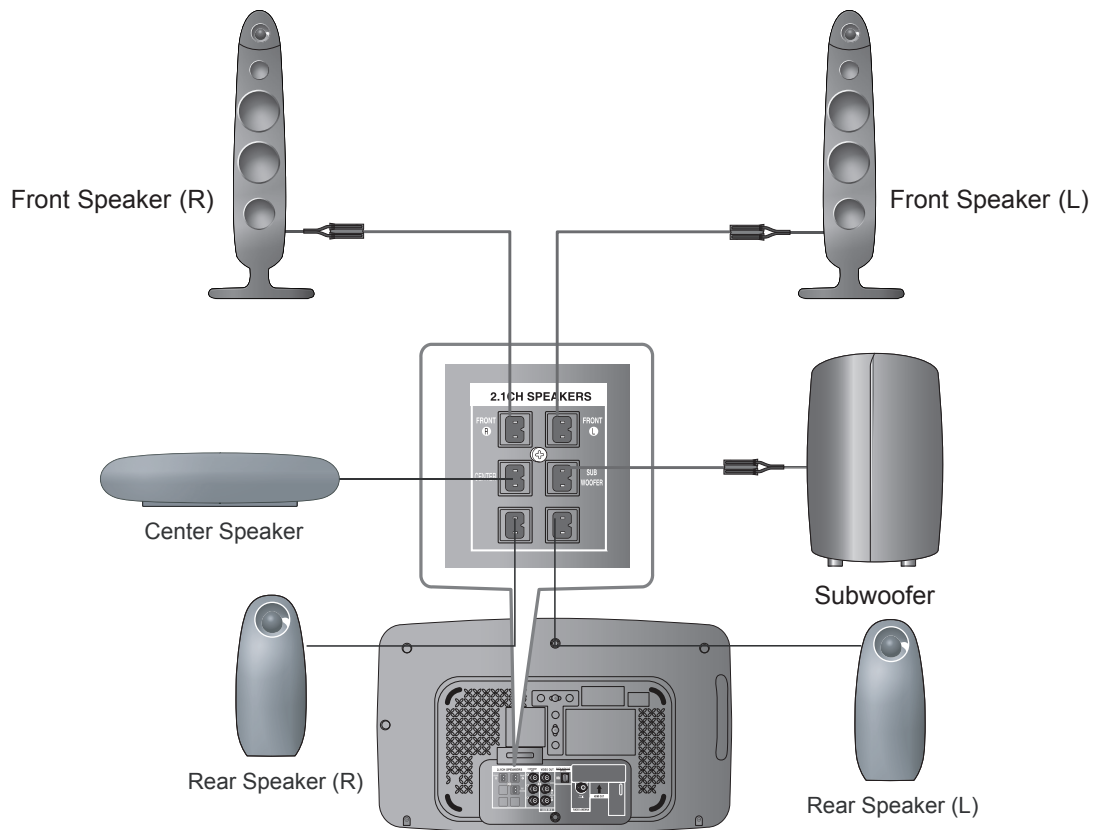
5-3 HT-X710 Speaker System



■ Part List

Loc. No.	Code No.	Description;Specification	Q'ty	SNA	Remark
Front Speaker (R/L)	AH81-04169A	SPEAKER ; FRONT SPEAKER SYSTEM, FOR PS-X715, BUMJIN CO., LTD., -, -, -, -	2	SA	
Subwoofer	AH81-04170A	SPEAKER ; PS-WX715, SUBWOOFER SPK, FOR PS-X715, SPHZ CO., LTD., -, -, -, -	1	SA	
Speaker Wire	AH81-02183E	SPEAKER-CORD ASS'Y; PS-Q100, SPK CORD ASS'Y, Only for 2.1CH, -, -, -, -	1	SA	

5-4 HT-X715 Speaker System



■ Part List

Loc. No.	Code No.	Description;Specification	Q'ty	SNA	Remark
Front Speaker (R/L)	AH81-04169A	SPEAKER; FRONT SPEAKER SYSTEM, FOR PS-X715, BUMJIN CO., LTD., -, -, -, -	2	SA	
Center Speaker	AH81-04166B	SPEAKER; PS-XA100, CENTER SPEAKER, BUMJIN CO., LTD., -, -, -, -	1	SA	
Rear Speaker (R/L)	AH81-04169C	SPEAKER; PS-XA100, REAR SPEAKER, BUMJIN CO., LTD., -, -, -, -	2	SA	
Subwoofer	AH81-04170A	AUDIO-RECEIVER; FRONT PANEL-E, FOR PS-A100, HIPS, 1X4, -, -, -	1	SA	
Speaker Wire	AH81-02177B	SPEAKER; PS-Q20, SPK CORD, CONNECTOR, FRONT/SUB W/F:4M, CENTER:3M, REAR:10M, TOTAL, 35M(6 PCS), OD:1.8*3.6(11*0.16), EXCEPT KOREA	1	SA	

5-5 HT-X710T/EDC Electrical Part List

Loc. No.	Part No.	Description;Specification	Q'ty	SNA	Remark	Loc. No.	Part No.	Description;Specification	Q'ty	SNA	Remark
	AH59-01917B	SPEAKER SYSTEM;PS-X710,,XEU,SATELLI	1	SA		AC1	2402-000130	C-AL,SMD;2.2uF,20%,50V,GP,TP,4.3x4.	1	SA	
	AH81-02183E	SPEAKER-CORD ASS'Y;PS-Q100,SPK CORD	1	SA		AC10	2402-000130	C-AL,SMD;2.2uF,20%,50V,GP,TP,4.3x4.	1	SA	
	AH81-04169A	SPEAKER;FRONT SPEAKER SYSTEM,FOR PS	2	SA		AC11	2203-005148	C-CER,CHIP;100nF,10%,16V,X7R,TP,160	1	SA	
	AH81-03904A	SPEAKER-REAR CASE FRONT;PS-X710,REA	1	SNA		AC12	2203-005148	C-CER,CHIP;100nF,10%,16V,X7R,TP,160	1	SA	
	AH81-03905A	SPEAKER-STAND TOP;PS-X710,STAND TOP	1	SA							
	AH81-03907A	SPEAKER-PIEZO DECO;PS-X710,PIEZO DE	1	SNA		AC13	2402-001042	C-AL,SMD;100uF,20%,16V,GP,TP,6.6x6.	1	SA	
	AH81-03909A	SPEAKER-FRONT PANEL FRONT;PS-X710,F	1	SNA		AC14	2402-001042	C-AL,SMD;100uF,20%,16V,GP,TP,6.6x6.	1	SA	
	AH81-03910A	SPEAKER-NET FRAME FRONT;PS-X710,NET	1	SA		AC15	2203-000491	C-CER,CHIP;2.2nF,10%,50V,X7R,1608	1	SA	
	AH81-03911A	SPEAKER-DECORATION;PS-X710,DECORATI	1	SNA		AC16	2203-000491	C-CER,CHIP;2.2nF,10%,50V,X7R,1608	1	SA	
	AH81-03912A	SPEAKER-PIEZO GRILLE;PS-X710,PIEZO	1	SNA		AC17	2402-001042	C-AL,SMD;100uF,20%,16V,GP,TP,6.6x6.	1	SA	
	AH81-03913A	SPEAKER-GRILLE FRONT;PS-X710,GRILLE	1	SNA		AC18	2203-005148	C-CER,CHIP;100nF,10%,16V,X7R,TP,160	1	SA	
	AH81-03914A	SPEAKER-STAND STEEL;PS-X710,STAND S	1	SA		AC19	2402-001042	C-AL,SMD;100uF,20%,16V,GP,TP,6.6x6.	1	SA	
	AH81-04086A	SPEAKER-DECO TOPWINE;PS-X810,DECO T	1	SNA		AC2	2402-000130	C-AL,SMD;2.2uF,20%,50V,GP,TP,4.3x4.	1	SA	
	AH81-04087A	SPEAKER-INNER WINE;PS-X810,INNER WI	1	SNA		AC20	2203-000189	C-CER,CHIP;100nF,+80-20%,25V,Y5V,16	1	SA	
	AH81-04088A	SPEAKER-TOP INNER WINE;PS-X810,TOP	1	SNA		AC21	2402-000008	C-AL,SMD;47uF,20%,16V,GP,TP,6.6x6.6	1	SA	
	AH81-04401A	SPEAKER-WOOFER UNIT FRONT;WOOFER UN	1	SA		AC22	2203-005148	C-CER,CHIP;100nF,10%,16V,X7R,TP,160	1	SA	
	AH81-04402A	SPEAKER-TWEETER UNIT;TWEETER UNIT,P	1	SA		AC25	2203-002398	C-CER,CHIP;22nF,10%,50V,X7R,1608	1	SA	
	AH81-04406A	SPEAKER-NETWORK PCB ASSY;NETWORK PC	1	SNA		AC26	2203-005148	C-CER,CHIP;100nF,10%,16V,X7R,TP,160	1	SA	
	AH81-04297A	SPEAKER-CUSHION FRONT;CUSHION-FRONT	1	SNA		AC27	2203-000189	C-CER,CHIP;100nF,+80-20%,25V,Y5V,16	1	SA	
	AH81-04297A	SPEAKER-CUSHION FRONT;CUSHION-FRONT	1	SNA		AC28	2402-001042	C-AL,SMD;100uF,20%,16V,GP,TP,6.6x6.	1	SA	
	AH59-01918B	SPEAKER SYSTEM;PS-WX710,,XEU,SUBWOO	1	SA		AC29	2203-000189	C-CER,CHIP;100nF,+80-20%,25V,Y5V,16	1	SA	
	AH81-04170A	SPEAKER;PS-WX715,SUBWOOFER SPK,FOR	1	SNA		AC3	2402-000130	C-AL,SMD;2.2uF,20%,50V,GP,TP,4.3x4.	1	SA	
	AH81-03714A	SPEAKER-REAR CASE SW;PS-A100,REAR C	1	SNA		AC30	2402-001042	C-AL,SMD;100uF,20%,16V,GP,TP,6.6x6.	1	SA	
	AH81-03715A	SPEAKER-GUIDE PANEL SW;PS-A100,GUID	1	SNA		AC31	2402-000130	C-AL,SMD;2.2uF,20%,50V,GP,TP,4.3x4.	1	SA	
	AH81-03716A	SPEAKER-NET FRAME SW;PS-A100,NET FR	1	SNA		AC32	2402-000130	C-AL,SMD;2.2uF,20%,50V,GP,TP,4.3x4.	1	SA	
	AH81-03717A	SPEAKER-FOOT SW;PS-A100,FOOT_SW,-,-	1	SA		AC33	2203-000236	C-CER,CHIP;0.1nF,5%,50V,C0G,1608	1	SA	
	AH81-04299A	SPEAKER-CUSHION SUBWOOFER;WOODEN	1	SNA		AC34	2203-000236	C-CER,CHIP;0.1nF,5%,50V,C0G,1608	1	SA	
	AH81-04403A	SPEAKER-SUBWOOFER UNIT;SUBWOOFER UN	1	SA		AC35	2203-000236	C-CER,CHIP;0.1nF,5%,50V,C0G,1608	1	SA	
	AH81-04404A	SPEAKER-CUSHION SUBWOOFER L;CUSHION	1	SNA		AC36	2402-001049	C-AL,SMD;10uF,20%,16V,GP,TP,3.3x3.3	1	SA	
	AH81-04405A	SPEAKER-CUSHION SUBWOOFER R;CUSHION	1	SNA		AC37	2203-000783	C-CER,CHIP;0.33nF,5%,50V,C0G,1608	1	SA	
	AH97-02694F	ASSY-MAIN OTHER;HT-X710,XEO	1	SNA		AC38	2203-000783	C-CER,CHIP;0.33nF,5%,50V,C0G,1608	1	SA	
	AH63-01301A	SHEET-SET;HT-Q40,-,-,-,-,-	1	SNA		AC7	2402-000130	C-AL,SMD;2.2uF,20%,50V,GP,TP,4.3x4.	1	SA	
	AH63-01764F	SHEET-COVER;HT-TX715,PC,T0.3,W15,L9	1	SA		AC8	2402-000130	C-AL,SMD;2.2uF,20%,50V,GP,TP,4.3x4.	1	SA	
	AH68-00371A	LABEL-BAR CODE;DVD-611/XAA,-,MOJO20	1.05	SNA		AC9	2402-000130	C-AL,SMD;2.2uF,20%,50V,GP,TP,4.3x4.	1	SA	
	AH68-01929H	LABEL RATING;HT-A100,ELS,SILVER PET	1.05	SNA		AD7	3301-001495	BEAD-SMD;120ohm,2012,2500mA,TP,115o	1	SA	
	AH68-01984A	MANUAL-CLEANING;HT-X200,-,-,-,ART P	1	SNA		AIC1	1002-001548	IC-A/D CONVERTER;CS5345,24,LQFP,48P	1	SA	
	AH68-02091A	LABEL-POP;HT-X710,EXP,RAINBOW SHEET	1	SA		AL1	3301-001495	BEAD-SMD;120ohm,2012,2500mA,TP,115o	1	SA	
	AH69-02206A	CUSHION-TOP;HT-X715,EPS,T20,W616,L7	1	SNA		AL2	3301-001495	BEAD-SMD;120ohm,2012,2500mA,TP,115o	1	SA	
	AH69-02207A	CUSHION-BOTTOM;HT-X715,EPS,T20,W616	1	SNA		AL3	3301-001495	BEAD-SMD;120ohm,2012,2500mA,TP,115o	1	SA	
	AH97-02699B	ASSY-ACCESSORY;HT-X710,EDC	1	SNA		AL5	3301-001495	BEAD-SMD;120ohm,2012,2500mA,TP,115o	1	SA	
	3301-000144	CORE-FERRITE;AE,34.5x12.5x32.5mm,15	1	SNA		AL6	3301-001495	BEAD-SMD;120ohm,2012,2500mA,TP,115o	1	SA	
	4301-000116	BATTERY-ALKALINE;9V,-,-,17.5x26.5x4	2	SA		AL7	3301-001495	BEAD-SMD;120ohm,2012,2500mA,TP,115o	1	SA	
	6902-000385	BAG PE;LDPE,T0.03,W250,L350,TRP,8,1	2	SNA		AQ1	0504-000156	TR-DIGITAL;KSR2103,PNP,200MW,22K/22	1	SA	
	AH39-00721A	CBF MODULE CABLE;HT-DS1000,19,3000,	1	SA		AQ2	0504-000128	TR-DIGITAL;-NPN,200MW,22K/22K,SOT-	1	SA	
	AH39-40001V	CABLE-AUDIO CABLE;-,-,1P-1P,3000mm,	1	SA		AR1	2007-000090	R-CHIP;10Kohm,5%,1/10W,TP,1608	1	SA	
	AH42-00021A	ANT FM T;T18011F-1,75 ohm,1800mm	1	SA		AR19	2007-000074	R-CHIP;100ohm,5%,1/10W,TP,1608	1	SA	
	AH68-00650L	MARK RECYCLE;YP-P2,ELS,ENG,-,MOJO40	1	SA		AR2	2007-000102	R-CHIP;100Kohm,5%,1/10W,TP,1608	1	SA	
	AH68-02061F	MANUAL USERS;HT-X710,XEF,NL,-,MOJO8	1	SA		AR24	2007-000074	R-CHIP;100ohm,5%,1/10W,TP,1608	1	SA	
	AH68-02061G	MANUAL USERS;HT-X710,EDC,PUHUN/SK/	1	SA		AR25	2007-000074	R-CHIP;100ohm,5%,1/10W,TP,1608	1	SA	
	AH68-02061H	MANUAL USERS;HT-X710,EDC,GR/RO/BG/C	1	SA		AR28	2007-000074	R-CHIP;100ohm,5%,1/10W,TP,1608	1	SA	
	AH68-50254B	LABEL-SERIAL;ART PAPER,T0.1,L10,W45	1.05	SNA		AR3	2007-000102	R-CHIP;100Kohm,5%,1/10W,TP,1608	1	SA	
	AH81-02286C	A/S-EYEGLASS CLOTH;HT-TXQ120,POLY-B	1	SNA		AR30	2007-000074	R-CHIP;100ohm,5%,1/10W,TP,1608	1	SA	
	AH92-02833A	ASSY PCB-MAIN;HT-X715 MAIN PCB,EXPO	1	SA		AR31	2007-000074	R-CHIP;100ohm,5%,1/10W,TP,1608	1	SA	
						AR32	2007-000074	R-CHIP;100ohm,5%,1/10W,TP,1608	1	SA	
						AR37	2007-000074	R-CHIP;100ohm,5%,1/10W,TP,1608	1	SA	
						AR38	2007-000074	R-CHIP;100ohm,5%,1/10W,TP,1608	1	SA	
						AR4	2007-000090	R-CHIP;10Kohm,5%,1/10W,TP,1608	1	SA	

Loc. No.	Part No.	Description;Specification	Q'ty	SNA	Remark	Loc. No.	Part No.	Description;Specification	Q'ty	SNA	Remark
AR42	2007-000124	R-CHIP;2.2Kohm,5%,1/10W,TP,1608	1	SA		CC2	2402-000167	C-AL,SMD;100uF,20%,10V,-,-,6.6x6.6x	1	SA	
AR43	2007-000082	R-CHIP;3.3Kohm,5%,1/10W,TP,1608	1	SA		CC3	2203-005148	C-CER,CHIP;100nF,10%,16V,X7R,TP,160	1	SA	
AR44	2007-000082	R-CHIP;3.3Kohm,5%,1/10W,TP,1608	1	SA		CC4	2203-005065	C-CER,CHIP;100nF,+80-20%,10V,Y5V,1	1	SA	
AR45	2007-000081	R-CHIP;2.7Kohm,5%,1/10W,TP,1608	1	SA		CC5	2402-000167	C-AL,SMD;100uF,20%,10V,-,-,6.6x6.6x	1	SA	
AR46	2007-000081	R-CHIP;2.7Kohm,5%,1/10W,TP,1608	1	SA		CC6	2203-005148	C-CER,CHIP;100nF,10%,16V,X7R,TP,160	1	SA	
AR47	2007-000097	R-CHIP;47Kohm,5%,1/10W,TP,1608	1	SA		CC7	2203-005148	C-CER,CHIP;100nF,10%,16V,X7R,TP,160	1	SA	
AR48	2007-000094	R-CHIP;22Kohm,5%,1/10W,TP,1608	1	SA		CCN1	3708-002023	CONNECTOR-FPC/FFC/PIC;6P,1MM,SMD-S,	1	SA	
AR49	2007-000094	R-CHIP;22Kohm,5%,1/10W,TP,1608	1	SA		CCN5	3708-002023	CONNECTOR-FPC/FFC/PIC;6P,1MM,SMD-S,	1	SA	
AR5	2007-000124	R-CHIP;2.2Kohm,5%,1/10W,TP,1608	1	SA		CIC1	AK09-00159A	IC MICOM;-,MC80C0316-MC015 D32,44,2	1	SA	
AR50	2007-000097	R-CHIP;47Kohm,5%,1/10W,TP,1608	1	SA		CIC2	1103-001333	IC-EEPROM;24C08A,1Kx8Bit,SOP,8P,5x4	1	SA	
AVC01	2402-001049	C-AL,SMD;10uF,20%,16V,GP,TP,3.3x3.3	1	SA		CIC3	1203-002425	IC-POSIFIXED REG.;1117,SOT-223,3P,	1	SA	
AVC02	2203-005148	C-CER,CHIP;100nF,10%,16V,X7R,TP,160	1	SA		CIC4	0505-001679	FET-SILICON;FDC6301N,N,25V,0.22A,50	1	SA	
AVC03	2203-005819	C-CER,CHIP;1000nF,+80-20%,16V,Y5V,-	1	SA		CL1	3301-001495	BEAD-SMD;120ohm,2012,2500mA,TP,115o	1	SA	
AVC04	2402-001049	C-AL,SMD;10uF,20%,16V,GP,TP,3.3x3.3	1	SA		CN1	3708-001958	CONNECTOR-FPC/FFC/PIC;13P;1.25MM,SM	1	SA	
AVC05	2203-005819	C-CER,CHIP;1000nF,+80-20%,16V,Y5V,-	1	SA		CN11	3708-001837	CONNECTOR-FPC/FFC/PIC;15P,1mm,SMD-S	1	SA	
AVC06	2203-005819	C-CER,CHIP;1000nF,+80-20%,16V,Y5V,-	1	SA		CN3	3708-002448	CONNECTOR-FPC/FFC/PIC;24P,1mm,SMD-S	1	SA	
AVC07	2203-005819	C-CER,CHIP;1000nF,+80-20%,16V,Y5V,-	1	SA		CN5	3711-003591	HEADER-BOARD TO CABLE;BOX,4P,1R,2mm	1	SA	
AVC08	2203-005148	C-CER,CHIP;100nF,10%,16V,X7R,TP,160	1	SA		CN7	3711-003591	HEADER-BOARD TO CABLE;BOX,4P,1R,2mm	1	SA	
AVC09	2203-005148	C-CER,CHIP;100nF,10%,16V,X7R,TP,160	1	SA		CN8	3708-002023	CONNECTOR-FPC/FFC/PIC;6P,1MM,SMD-S,	1	SA	
AVC10	2402-001198	C-AL,SMD;330UF,20%,6.3V,GP,TP,6.6X6	1	SA		CQ1	0501-000341	TR-SMALL SIGNAL;KSC1623-L,NPN,200mW	1	SA	
AVC11	2402-001198	C-AL,SMD;330UF,20%,6.3V,GP,TP,6.6X6	1	SA		CR1	2007-000070	R-CHIP;0ohm,5%,1/10W,TP,1608	1	SA	
AVC12	2402-001042	C-AL,SMD;100uF,20%,16V,GP,TP,6.6x6.	1	SA		CR10	2007-000090	R-CHIP;10Kohm,5%,1/10W,TP,1608	1	SA	
AVC13	2402-001042	C-AL,SMD;100uF,20%,16V,GP,TP,6.6x6.	1	SA		CR11	2007-000090	R-CHIP;10Kohm,5%,1/10W,TP,1608	1	SA	
AVC14	2203-000280	C-CER,CHIP;0.01nF,0.5pF,50V,C0G,160	1	SA		CR12	2007-000090	R-CHIP;10Kohm,5%,1/10W,TP,1608	1	SA	
AVC15	2203-000280	C-CER,CHIP;0.01nF,0.5pF,50V,C0G,160	1	SA		CR13	2007-000090	R-CHIP;10Kohm,5%,1/10W,TP,1608	1	SA	
AVC16	2203-000280	C-CER,CHIP;0.01nF,0.5pF,50V,C0G,160	1	SA		CR14	2007-000074	R-CHIP;100ohm,5%,1/10W,TP,1608	1	SA	
AVC17	2203-000280	C-CER,CHIP;0.01nF,0.5pF,50V,C0G,160	1	SA		CR15	2007-000074	R-CHIP;100ohm,5%,1/10W,TP,1608	1	SA	
AVC18	2203-005819	C-CER,CHIP;1000nF,+80-20%,16V,Y5V,-	1	SA		CR17	2007-000074	R-CHIP;100ohm,5%,1/10W,TP,1608	1	SA	
AVC19	2203-005819	C-CER,CHIP;1000nF,+80-20%,16V,Y5V,-	1	SA		CR2	2007-000071	R-CHIP;22ohm,5%,1/10W,TP,1608	1	SA	
AVR01	2007-001167	R-CHIP;75ohm,5%,1/10W,TP,1608	1	SA		CR24	2007-000090	R-CHIP;10Kohm,5%,1/10W,TP,1608	1	SA	
AVR02	2007-001167	R-CHIP;75ohm,5%,1/10W,TP,1608	1	SA		CR26	2007-000090	R-CHIP;10Kohm,5%,1/10W,TP,1608	1	SA	
AVR03	2007-001167	R-CHIP;75ohm,5%,1/10W,TP,1608	1	SA		CR28	2007-000109	R-CHIP;1Mohm,5%,1/10W,TP,1608	1	SA	
AVR04	2007-001167	R-CHIP;75ohm,5%,1/10W,TP,1608	1	SA		CR29	2007-000074	R-CHIP;100ohm,5%,1/10W,TP,1608	1	SA	
AVR05	2007-001167	R-CHIP;75ohm,5%,1/10W,TP,1608	1	SA		CR3	2007-000071	R-CHIP;22ohm,5%,1/10W,TP,1608	1	SA	
AVR06	2007-000125	R-CHIP;3.9Kohm,5%,1/10W,TP,1608	1	SA		CR30	2007-000090	R-CHIP;10Kohm,5%,1/10W,TP,1608	1	SA	
AVR08	2007-001167	R-CHIP;75ohm,5%,1/10W,TP,1608	1	SA		CR31	2007-000090	R-CHIP;10Kohm,5%,1/10W,TP,1608	1	SA	
AVR09	2007-001167	R-CHIP;75ohm,5%,1/10W,TP,1608	1	SA		CR32	2007-000090	R-CHIP;10Kohm,5%,1/10W,TP,1608	1	SA	
AVR10	2007-001167	R-CHIP;75ohm,5%,1/10W,TP,1608	1	SA		CR38	2007-000090	R-CHIP;10Kohm,5%,1/10W,TP,1608	1	SA	
AVR12	2007-000084	R-CHIP;4.7Kohm,5%,1/10W,TP,1608	1	SA		CR39	2007-000084	R-CHIP;4.7Kohm,5%,1/10W,TP,1608	1	SA	
AVR13	2007-001167	R-CHIP;75ohm,5%,1/10W,TP,1608	1	SA		CR4	2007-000084	R-CHIP;4.7Kohm,5%,1/10W,TP,1608	1	SA	
AVR14	2007-001167	R-CHIP;75ohm,5%,1/10W,TP,1608	1	SA		CR40	2007-000070	R-CHIP;0ohm,5%,1/10W,TP,1608	1	SA	
AVR15	2007-001167	R-CHIP;75ohm,5%,1/10W,TP,1608	1	SA		CR41	2007-000070	R-CHIP;0ohm,5%,1/10W,TP,1608	1	SA	
AVR16	2007-001167	R-CHIP;75ohm,5%,1/10W,TP,1608	1	SA		CR42	2007-000074	R-CHIP;100ohm,5%,1/10W,TP,1608	1	SA	
AVR19	2007-001167	R-CHIP;75ohm,5%,1/10W,TP,1608	1	SA		CR43	2007-000090	R-CHIP;10Kohm,5%,1/10W,TP,1608	1	SA	
AVR21	2007-001167	R-CHIP;75ohm,5%,1/10W,TP,1608	1	SA		CR44	2007-000078	R-CHIP;1Kohm,5%,1/10W,TP,1608	1	SA	
BL03	3301-001495	BEAD-SMD;120ohm,2012,2500mA,TP,115o	1	SA		CR45	2007-000081	R-CHIP;2.7Kohm,5%,1/10W,TP,1608	1	SA	
BPIC1	0801-002518	IC-CMOS LOGIC;74LCX157,2-INPUT MULT	1	SA		CR46	2007-000093	R-CHIP;20Kohm,5%,1/10W,TP,1608	1	SA	
BTR1	2007-000122	R-CHIP;1.2Kohm,5%,1/10W,TP,1608	1	SA		CR47	2007-000074	R-CHIP;100ohm,5%,1/10W,TP,1608	1	SA	
BTR11	2007-000074	R-CHIP;100ohm,5%,1/10W,TP,1608	1	SA		CR48	2007-000102	R-CHIP;100Kohm,5%,1/10W,TP,1608	1	SA	
BTR2	2007-000074	R-CHIP;100ohm,5%,1/10W,TP,1608	1	SA		CR5	2007-000084	R-CHIP;4.7Kohm,5%,1/10W,TP,1608	1	SA	
BTR4	2007-000074	R-CHIP;100ohm,5%,1/10W,TP,1608	1	SA		CR6	2007-000084	R-CHIP;4.7Kohm,5%,1/10W,TP,1608	1	SA	
BTR5	2007-000074	R-CHIP;100ohm,5%,1/10W,TP,1608	1	SA		CR9	2007-000090	R-CHIP;10Kohm,5%,1/10W,TP,1608	1	SA	
BTR6	2007-000074	R-CHIP;100ohm,5%,1/10W,TP,1608	1	SA		CX1	2802-001165	RESONATOR-CERAMIC;4MHz,0.5%,TP,4.5x	1	SA	
BTR7	2007-000074	R-CHIP;100ohm,5%,1/10W,TP,1608	1	SA		DC1	2203-000189	C-CER,CHIP;100nF,+80-20%,25V,Y5V,16	1	SA	
CBT1	2203-005148	C-CER,CHIP;100nF,10%,16V,X7R,TP,160	1	SA		DC10	2203-000189	C-CER,CHIP;100nF,+80-20%,25V,Y5V,16	1	SA	
CC1	2203-005148	C-CER,CHIP;100nF,10%,16V,X7R,TP,160	1	SA		DC11	2203-000189	C-CER,CHIP;100nF,+80-20%,25V,Y5V,16	1	SA	

Exploded View & Part List

Loc. No.	Part No.	Description;Specification	Q'ty	SNA	Remark	Loc. No.	Part No.	Description;Specification	Q'ty	SNA	Remark
DC12	2203-000189	C-CER,CHIP;100nF,+80-20%,25V,Y5V,16	1	SA		FC1	2203-005148	C-CER,CHIP;100nF,10%,16V,X7R,TP,160	1	SA	
DC18	2203-000815	C-CER,CHIP;0.033nF,5%,50V,C0G,1608	1	SA		FC6	2203-005148	C-CER,CHIP;100nF,10%,16V,X7R,TP,160	1	SA	
DC19	2203-000815	C-CER,CHIP;0.033nF,5%,50V,C0G,1608	1	SA		FC7	2203-005148	C-CER,CHIP;100nF,10%,16V,X7R,TP,160	1	SA	
DC2	2203-000440	C-CER,CHIP;1nF,10%,50V,X7R,1608	1	SA		FQ01	0504-000156	TR-DIGITAL;KSR2103,PNP,200MW,22K/22	1	SA	
DC3	2402-001049	C-AL,SMD;10uF,20%,16V,GP,TP,3.3x3.3	1	SA		FR15	2007-000643	R-CHIP;270ohm,5%,1/10W,TP,1608	1	SA	
DC4	2203-000189	C-CER,CHIP;100nF,+80-20%,25V,Y5V,16	1	SA		H/S	AH62-00062G	HEAT SINK-TR;HT-DS400,AL EXTR,-,-,-	1	SA	
DC5	2203-000189	C-CER,CHIP;100nF,+80-20%,25V,Y5V,16	1	SA		HC1	2203-005148	C-CER,CHIP;100nF,10%,16V,X7R,TP,160	1	SA	
DC6	2402-001049	C-AL,SMD;10uF,20%,16V,GP,TP,3.3x3.3	1	SA		HC10	2203-005148	C-CER,CHIP;100nF,10%,16V,X7R,TP,160	1	SA	
DC7	2203-000189	C-CER,CHIP;100nF,+80-20%,25V,Y5V,16	1	SA		HC11	2203-005148	C-CER,CHIP;100nF,10%,16V,X7R,TP,160	1	SA	
DC8	2402-000008	C-AL,SMD;47uF,20%,16V,GP,TP,6.6x6.6	1	SA		HC12	2402-001059	C-AL,SMD;220##F,20%,6.3V,-,TP,6x6.6	1	SA	
DC9	2203-000189	C-CER,CHIP;100nF,+80-20%,25V,Y5V,16	1	SA		HC13	2203-005148	C-CER,CHIP;100nF,10%,16V,X7R,TP,160	1	SA	
DIC1	0904-002330	IC-DSP;CS48540,LQFP,48P,7x7mm,150MH	1	SA		HC14	2203-005148	C-CER,CHIP;100nF,10%,16V,X7R,TP,160	1	SA	
DIC2	0802-001007	IC-CMOS LOGIC;74LCX244,BUFFER/LINE	1	SA		HC16	2203-005148	C-CER,CHIP;100nF,10%,16V,X7R,TP,160	1	SA	
DIX1	2801-004021	CRYSTAL-SMD;24.576MHz,20ppm,28-AAAN,	1	SA		HC17	2203-005148	C-CER,CHIP;100nF,10%,16V,X7R,TP,160	1	SA	
DL1	3301-001495	BEAD-SMD;120ohm,2012,2500mA,TP,115o	1	SA		HC18	2203-005065	C-CER,CHIP;1000nF,+80-20%,10V,Y5V,1	1	SA	
DL2	3301-001495	BEAD-SMD;120ohm,2012,2500mA,TP,115o	1	SA		HC19	2402-001059	C-AL,SMD;220##F,20%,6.3V,-,TP,6x6.6	1	SA	
DL3	3301-001495	BEAD-SMD;120ohm,2012,2500mA,TP,115o	1	SA		HC2	2203-005148	C-CER,CHIP;100nF,10%,16V,X7R,TP,160	1	SA	
DL4	3301-001495	BEAD-SMD;120ohm,2012,2500mA,TP,115o	1	SA		HC20	2203-005148	C-CER,CHIP;100nF,10%,16V,X7R,TP,160	1	SA	
DR1	2007-000113	R-CHIP;33ohm,5%,1/10W,TP,1608	1	SA		HC21	2203-005065	C-CER,CHIP;1000nF,+80-20%,10V,Y5V,1	1	SA	
DR10	2007-000082	R-CHIP;3.3Kohm,5%,1/10W,TP,1608	1	SA		HC22	2203-005065	C-CER,CHIP;1000nF,+80-20%,10V,Y5V,1	1	SA	
DR11	2007-000113	R-CHIP;33ohm,5%,1/10W,TP,1608	1	SA		HC23	2203-005148	C-CER,CHIP;100nF,10%,16V,X7R,TP,160	1	SA	
DR12	2007-000113	R-CHIP;33ohm,5%,1/10W,TP,1608	1	SA		HC24	2402-001059	C-AL,SMD;220##F,20%,6.3V,-,TP,6x6.6	1	SA	
DR13	2007-000082	R-CHIP;3.3Kohm,5%,1/10W,TP,1608	1	SA		HC25	2203-005148	C-CER,CHIP;100nF,10%,16V,X7R,TP,160	1	SA	
DR14	2007-000070	R-CHIP;0ohm,5%,1/10W,TP,1608	1	SA		HC26	2203-005148	C-CER,CHIP;100nF,10%,16V,X7R,TP,160	1	SA	
DR15	2007-000962	R-CHIP;5.1Kohm,1%,1/10W,TP,1608	1	SA		HC27	2203-005148	C-CER,CHIP;100nF,10%,16V,X7R,TP,160	1	SA	
DR16	2007-000113	R-CHIP;33ohm,5%,1/10W,TP,1608	1	SA		HC28	2203-005148	C-CER,CHIP;100nF,10%,16V,X7R,TP,160	1	SA	
DR17	2007-000113	R-CHIP;33ohm,5%,1/10W,TP,1608	1	SA		HC29	2203-005148	C-CER,CHIP;100nF,10%,16V,X7R,TP,160	1	SA	
DR18	2007-000113	R-CHIP;33ohm,5%,1/10W,TP,1608	1	SA		HC3	2203-005148	C-CER,CHIP;100nF,10%,16V,X7R,TP,160	1	SA	
DR19	2007-000113	R-CHIP;33ohm,5%,1/10W,TP,1608	1	SA		HC30	2402-001059	C-AL,SMD;220##F,20%,6.3V,-,TP,6x6.6	1	SA	
DR2	2007-000113	R-CHIP;33ohm,5%,1/10W,TP,1608	1	SA		HC31	2402-001059	C-AL,SMD;220##F,20%,6.3V,-,TP,6x6.6	1	SA	
DR20	2007-000113	R-CHIP;33ohm,5%,1/10W,TP,1608	1	SA		HC32	2203-005148	C-CER,CHIP;100nF,10%,16V,X7R,TP,160	1	SA	
DR21	2007-000113	R-CHIP;33ohm,5%,1/10W,TP,1608	1	SA		HC33	2203-000189	C-CER,CHIP;100nF,+80-20%,25V,Y5V,16	1	SA	
DR22	2007-000113	R-CHIP;33ohm,5%,1/10W,TP,1608	1	SA		HC34	2203-000189	C-CER,CHIP;100nF,+80-20%,25V,Y5V,16	1	SA	
DR23	2007-000113	R-CHIP;33ohm,5%,1/10W,TP,1608	1	SA		HC35	2203-005148	C-CER,CHIP;100nF,10%,16V,X7R,TP,160	1	SA	
DR24	2007-000113	R-CHIP;33ohm,5%,1/10W,TP,1608	1	SA		HC36	2402-001049	C-AL,SMD;10uF,20%,16V,GP,TP,3.3x3.3	1	SA	
DR25	2007-000113	R-CHIP;33ohm,5%,1/10W,TP,1608	1	SA		HC37	2203-005148	C-CER,CHIP;100nF,10%,16V,X7R,TP,160	1	SA	
DR26	2007-000113	R-CHIP;33ohm,5%,1/10W,TP,1608	1	SA		HC38	2203-000189	C-CER,CHIP;100nF,+80-20%,25V,Y5V,16	1	SA	
DR27	2007-000113	R-CHIP;33ohm,5%,1/10W,TP,1608	1	SA		HC39	2402-001042	C-AL,SMD;100uF,20%,16V,GP,TP,6.6x6.6	1	SA	
DR3	2007-000113	R-CHIP;33ohm,5%,1/10W,TP,1608	1	SA		HC4	2203-005148	C-CER,CHIP;100nF,10%,16V,X7R,TP,160	1	SA	
DR30	2007-000082	R-CHIP;3.3Kohm,5%,1/10W,TP,1608	1	SA		HC40	2203-000189	C-CER,CHIP;100nF,+80-20%,25V,Y5V,16	1	SA	
DR32	2007-000113	R-CHIP;33ohm,5%,1/10W,TP,1608	1	SA		HC41	2203-005148	C-CER,CHIP;100nF,10%,16V,X7R,TP,160	1	SA	
DR35	2007-000113	R-CHIP;33ohm,5%,1/10W,TP,1608	1	SA		HC5	2203-005148	C-CER,CHIP;100nF,10%,16V,X7R,TP,160	1	SA	
DR36	2007-000113	R-CHIP;33ohm,5%,1/10W,TP,1608	1	SA		HC6	2203-005065	C-CER,CHIP;1000nF,+80-20%,10V,Y5V,1	1	SA	
DR37	2007-000090	R-CHIP;10Kohm,5%,1/10W,TP,1608	1	SA		HC7	2203-005065	C-CER,CHIP;1000nF,+80-20%,10V,Y5V,1	1	SA	
DR38	2007-000475	R-CHIP;1Mohm,1%,1/10W,TP,1608	1	SA		HC9	2203-005148	C-CER,CHIP;100nF,10%,16V,X7R,TP,160	1	SA	
DR39	2007-000070	R-CHIP;0ohm,5%,1/10W,TP,1608	1	SA		HCN1	3701-001313	CONNECTOR-HDMI;19P,2R,PLUG,ANGLE,AU	1	SA	
DR4	2007-000113	R-CHIP;33ohm,5%,1/10W,TP,1608	1	SA		HD2	0401-001090	DIODE-SWITCHING;1SS355,80V,100MA,SO	1	SA	
DR40	2007-000070	R-CHIP;0ohm,5%,1/10W,TP,1608	1	SA		HD3	0402-000309	DIODE-RECTIFIER;1SR154-400,400V,1A,	1	SA	
DR41	2007-000084	R-CHIP;4.7Kohm,5%,1/10W,TP,1608	1	SA		HIC1	1205-003381	IC-TRANSMITTER;ES7108S,LQFP,80P,12x	1	SA	
DR42	2007-000082	R-CHIP;3.3Kohm,5%,1/10W,TP,1608	1	SA		HIC3	1203-002935	IC-POSI.ADJUST REG.;AIC1117ACE,TO-2	1	SA	
DR43	2007-000082	R-CHIP;3.3Kohm,5%,1/10W,TP,1608	1	SA		HL1	2901-001302	FILTER-EMI SMD;20V,0.3A,0pF,2.0x1.2	1	SA	
DR44	2007-000113	R-CHIP;33ohm,5%,1/10W,TP,1608	1	SA		HL10	3301-001495	BEAD-SMD;120ohm,2012,2500mA,TP,115o	1	SA	
DR5	2007-000113	R-CHIP;33ohm,5%,1/10W,TP,1608	1	SA		HL14	3301-001495	BEAD-SMD;120ohm,2012,2500mA,TP,115o	1	SA	
DR6	2007-000113	R-CHIP;33ohm,5%,1/10W,TP,1608	1	SA		HL2	2901-001302	FILTER-EMI SMD;20V,0.3A,0pF,2.0x1.2	1	SA	
DR7	2007-000113	R-CHIP;33ohm,5%,1/10W,TP,1608	1	SA		HL3	2901-001302	FILTER-EMI SMD;20V,0.3A,0pF,2.0x1.2	1	SA	
DR8	2007-000113	R-CHIP;33ohm,5%,1/10W,TP,1608	1	SA		HL4	2901-001302	FILTER-EMI SMD;20V,0.3A,0pF,2.0x1.2	1	SA	
DR9	2007-000113	R-CHIP;33ohm,5%,1/10W,TP,1608	1	SA		HL5	3301-001495	BEAD-SMD;120ohm,2012,2500mA,TP,115o	1	SA	
ESD5	0406-001128	DIODE-TVS;MLVS-0603-E08,50V,-,-	1	SA		HL6	3301-001495	BEAD-SMD;120ohm,2012,2500mA,TP,115o	1	SA	

Loc. No.	Part No.	Description;Specification	Q'ty	SNA	Remark	Loc. No.	Part No.	Description;Specification	Q'ty	SNA	Remark
HL7	3301-001495	BEAD-SMD;120ohm,2012,2500mA,TP,115o	1	SA		JL03	2703-002238	INDUCTOR-SMD;1UH,5%,2012	1	SA	
HL8	3301-001495	BEAD-SMD;120ohm,2012,2500mA,TP,115o	1	SA		JL04	2703-002238	INDUCTOR-SMD;1UH,5%,2012	1	SA	
HMQ1	0504-000156	TR-DIGITAL;KSR2103,PNP,200MW,22K/22	1	SA		JL05	2703-002238	INDUCTOR-SMD;1UH,5%,2012	1	SA	
HMQ2	0504-000128	TR-DIGITAL;-NPN,200MW,22K/22K,SOT-	1	SA		KAC10	2402-001049	C-AL,SMD;10uF,20%,16V,GP,TP,3.3x3.3	1	SA	
HMQ3	0501-002184	TR-SMALL SIGNAL;KTD1304,NPN,200mW,S	1	SA		KAC2	2402-000130	C-AL,SMD;2.2uF,20%,50V,GP,TP,4.3x4.	1	SA	
HMQ4	0501-002184	TR-SMALL SIGNAL;KTD1304,NPN,200mW,S	1	SA		KAC3	2402-000130	C-AL,SMD;2.2uF,20%,50V,GP,TP,4.3x4.	1	SA	
HMR1	2007-000076	R-CHIP;330ohm,5%,1/10W,TP,1608	1	SA		KAC4	2203-005148	C-CER,CHIP;100nF,10%,16V,X7R,TP,160	1	SA	
HMR2	2007-000075	R-CHIP;220ohm,5%,1/10W,TP,1608	1	SA		KAC5	2203-005148	C-CER,CHIP;100nF,10%,16V,X7R,TP,160	1	SA	
HMR3	2007-000075	R-CHIP;220ohm,5%,1/10W,TP,1608	1	SA		KAC6	2402-001049	C-AL,SMD;10uF,20%,16V,GP,TP,3.3x3.3	1	SA	
HMR4	2007-000102	R-CHIP;100Kohm,5%,1/10W,TP,1608	1	SA		KAC8	2402-001049	C-AL,SMD;10uF,20%,16V,GP,TP,3.3x3.3	1	SA	
HMR5	2007-000102	R-CHIP;100Kohm,5%,1/10W,TP,1608	1	SA		KAC9	2402-000130	C-AL,SMD;2.2uF,20%,50V,GP,TP,4.3x4.	1	SA	
HMR6	2007-000102	R-CHIP;100Kohm,5%,1/10W,TP,1608	1	SA		KAR1	2007-000125	R-CHIP;3.9Kohm,5%,1/10W,TP,1608	1	SA	
HPC1	2203-005148	C-CER,CHIP;100nF,10%,16V,X7R,TP,160	1	SA		KAR10	2007-000084	R-CHIP;4.7Kohm,5%,1/10W,TP,1608	1	SA	
HPC2	2203-000531	C-CER,CHIP;2.7nF,10%,50V,X7R,1608	1	SA		KAR12	2007-000074	R-CHIP;100ohm,5%,1/10W,TP,1608	1	SA	
HPC3	2203-000236	C-CER,CHIP;0.1nF,5%,50V,C0G,1608	1	SA		KAR13	2007-000074	R-CHIP;100ohm,5%,1/10W,TP,1608	1	SA	
HPC4	2203-000257	C-CER,CHIP;10nF,10%,50V,X7R,TP,1608	1	SA		KAR14	2007-000074	R-CHIP;100ohm,5%,1/10W,TP,1608	1	SA	
HPC5	2203-000531	C-CER,CHIP;2.7nF,10%,50V,X7R,1608	1	SA		KAR15	2007-000074	R-CHIP;100ohm,5%,1/10W,TP,1608	1	SA	
HPC6	2203-000236	C-CER,CHIP;0.1nF,5%,50V,C0G,1608	1	SA		KAR16	2007-000081	R-CHIP;2.7Kohm,5%,1/10W,TP,1608	1	SA	
HPD5	0401-001090	DIODE-SWITCHING;1SS355,80V,100MA,SO	1	SA		KAR17	2007-000122	R-CHIP;1.2Kohm,5%,1/10W,TP,1608	1	SA	
HPD6	0401-001090	DIODE-SWITCHING;1SS355,80V,100MA,SO	1	SA		KAR2	2007-000125	R-CHIP;3.9Kohm,5%,1/10W,TP,1608	1	SA	
HPL1	2703-000275	INDUCTOR-SMD;33UH,10%,2012	1	SA		KAR5	2007-000084	R-CHIP;4.7Kohm,5%,1/10W,TP,1608	1	SA	
HPL3	2703-000275	INDUCTOR-SMD;33UH,10%,2012	1	SA		KAR8	2007-000084	R-CHIP;4.7Kohm,5%,1/10W,TP,1608	1	SA	
HQ1	0504-000128	TR-DIGITAL;-NPN,200MW,22K/22K,SOT-	1	SA		KAR9	2007-000084	R-CHIP;4.7Kohm,5%,1/10W,TP,1608	1	SA	
HQ2	0505-000110	FET-SILICON;2N7002,N,60V,115mA,7.5o	1	SA		KC1	2402-000008	C-AL,SMD;47uF,20%,16V,GP,TP,6.6x6.6	1	SA	
HQ3	0505-000110	FET-SILICON;2N7002,N,60V,115mA,7.5o	1	SA		KC10	2203-001052	C-CER,CHIP;0.56nF,10%,50V,X7R,TP,16	1	SA	
HR1	2007-000074	R-CHIP;100ohm,5%,1/10W,TP,1608	1	SA		KC11	2203-000715	C-CER,CHIP;3.3nF,10%,50V,X7R,1608	1	SA	
HR10	2007-000729	R-CHIP;300ohm,5%,1/10W,TP,1608	1	SA		KC12	2203-000715	C-CER,CHIP;3.3nF,10%,50V,X7R,1608	1	SA	
HR11	2007-000074	R-CHIP;100ohm,5%,1/10W,TP,1608	1	SA		KC16	2402-000173	C-AL,SMD;4.7uF,20%,35V,GP,TP,4.3x4.	1	SA	
HR12	2007-000074	R-CHIP;100ohm,5%,1/10W,TP,1608	1	SA		KC18	2203-000257	C-CER,CHIP;10nF,10%,50V,X7R,TP,1608	1	SA	
HR13	2007-000503	R-CHIP;2.2ohm,5%,1/10W,TP,1608	1	SA		KC19	2402-001049	C-AL,SMD;10uF,20%,16V,GP,TP,3.3x3.3	1	SA	
HR14	2007-000503	R-CHIP;2.2ohm,5%,1/10W,TP,1608	1	SA		KC2	2203-005249	C-CER,CHIP;100nF,10%,50V,X7R,1608	1	SA	
HR15	2007-000503	R-CHIP;2.2ohm,5%,1/10W,TP,1608	1	SA		KC3	2203-005249	C-CER,CHIP;100nF,10%,50V,X7R,1608	1	SA	
HR16	2007-000503	R-CHIP;2.2ohm,5%,1/10W,TP,1608	1	SA		KC4	2203-005249	C-CER,CHIP;100nF,10%,50V,X7R,1608	1	SA	
HR17	2007-000503	R-CHIP;2.2ohm,5%,1/10W,TP,1608	1	SA		KC5	2402-000008	C-AL,SMD;47uF,20%,16V,GP,TP,6.6x6.6	1	SA	
HR18	2007-000503	R-CHIP;2.2ohm,5%,1/10W,TP,1608	1	SA		KC6	2203-005249	C-CER,CHIP;100nF,10%,50V,X7R,1608	1	SA	
HR19	2007-000503	R-CHIP;2.2ohm,5%,1/10W,TP,1608	1	SA		KC7	2203-005342	C-CER,CHIP;82nF,10%,16V,X7R,TP,1608	1	SA	
HR2	2007-000074	R-CHIP;100ohm,5%,1/10W,TP,1608	1	SA		KC8	2203-005342	C-CER,CHIP;82nF,10%,16V,X7R,TP,1608	1	SA	
HR20	2007-000503	R-CHIP;2.2ohm,5%,1/10W,TP,1608	1	SA		KC9	2203-001052	C-CER,CHIP;0.56nF,10%,50V,X7R,TP,16	1	SA	
HR21	2007-000070	R-CHIP;0ohm,5%,1/10W,TP,1608	1	SA		KD1	0403-001008	DIODE-ZENER;RLZ5.6A,5.6V,5.28-5.55V	1	SA	
HR22	2007-000070	R-CHIP;0ohm,5%,1/10W,TP,1608	1	SA		KQ1	0504-000156	TR-DIGITAL;KSR2103,PNP,200MW,22K/22	1	SA	
HR23	2007-000084	R-CHIP;4.7Kohm,5%,1/10W,TP,1608	1	SA		KQ2	0504-000156	TR-DIGITAL;KSR2103,PNP,200MW,22K/22	1	SA	
HR24	2007-000729	R-CHIP;300ohm,5%,1/10W,TP,1608	1	SA		KQ3	0501-000341	TR-SMALL SIGNAL;KSC1623-L,NPN,200mW	1	SA	
HR25	2007-000729	R-CHIP;300ohm,5%,1/10W,TP,1608	1	SA		KQ4	0501-000341	TR-SMALL SIGNAL;KSC1623-L,NPN,200mW	1	SA	
HR26	2007-000075	R-CHIP;220ohm,5%,1/10W,TP,1608	1	SA		KQ5	0501-000341	TR-SMALL SIGNAL;KSC1623-L,NPN,200mW	1	SA	
HR27	2007-000077	R-CHIP;470ohm,5%,1/10W,TP,1608	1	SA		KR100	2007-000087	R-CHIP;6.8Kohm,5%,1/10W,TP,1608	1	SA	
HR28	2007-000729	R-CHIP;300ohm,5%,1/10W,TP,1608	1	SA		KR101	2007-000087	R-CHIP;6.8Kohm,5%,1/10W,TP,1608	1	SA	
HR29	2007-000729	R-CHIP;300ohm,5%,1/10W,TP,1608	1	SA		KR102	2007-000087	R-CHIP;6.8Kohm,5%,1/10W,TP,1608	1	SA	
HR3	2007-000084	R-CHIP;4.7Kohm,5%,1/10W,TP,1608	1	SA		KR103	2007-000087	R-CHIP;6.8Kohm,5%,1/10W,TP,1608	1	SA	
HR31	2007-000097	R-CHIP;47Kohm,5%,1/10W,TP,1608	1	SA		KR104	2007-000078	R-CHIP;1Kohm,5%,1/10W,TP,1608	1	SA	
HR4	2007-000084	R-CHIP;4.7Kohm,5%,1/10W,TP,1608	1	SA		KR105	2007-001179	R-CHIP;8.2Kohm,5%,1/10W,TP,1608	1	SA	
HR5	2007-000078	R-CHIP;1Kohm,5%,1/10W,TP,1608	1	SA		KR106	2007-000090	R-CHIP;10Kohm,5%,1/10W,TP,1608	1	SA	
HR6	2007-000097	R-CHIP;47Kohm,5%,1/10W,TP,1608	1	SA		KR107	2007-000092	R-CHIP;15Kohm,5%,1/10W,TP,1608	1	SA	
HR7	2007-000084	R-CHIP;4.7Kohm,5%,1/10W,TP,1608	1	SA		KR108	2007-000090	R-CHIP;10Kohm,5%,1/10W,TP,1608	1	SA	
HR8	2007-000084	R-CHIP;4.7Kohm,5%,1/10W,TP,1608	1	SA		KR112	2007-000090	R-CHIP;10Kohm,5%,1/10W,TP,1608	1	SA	
HR9	2007-000084	R-CHIP;4.7Kohm,5%,1/10W,TP,1608	1	SA		KR113	2007-000090	R-CHIP;10Kohm,5%,1/10W,TP,1608	1	SA	
JCNO1	3708-001981	CONNECTOR-FPC/FFC/PIC;28P,1mm,SMD-S	1	SA		KR114	2007-000092	R-CHIP;15Kohm,5%,1/10W,TP,1608	1	SA	
JIC01	1204-001978	IC-VIDEO PROCESS;LA73054,-,36P,-,SS	1	SA		KR115	2007-000086	R-CHIP;5.6Kohm,5%,1/10W,TP,1608	1	SA	
JL01	3301-001495	BEAD-SMD;120ohm,2012,2500mA,TP,115o	1	SA		KR120	2007-000458	R-CHIP;18Kohm,5%,1/10W,TP,1608	1	SA	
JL02	2703-002238	INDUCTOR-SMD;1UH,5%,2012	1	SA							

Exploded View & Part List

Loc. No.	Part No.	Description;Specification	Q'ty	SNA	Remark	Loc. No.	Part No.	Description;Specification	Q'ty	SNA	Remark
KR121	2007-000124	R-CHIP;2.2Kohm,5%,1/10W,TP,1608	1	SA		MC49	2203-005148	C-CER,CHIP;100nF,10%,16V,X7R,TP,160	1	SA	
KR124	2007-000084	R-CHIP;4.7Kohm,5%,1/10W,TP,1608	1	SA		MC51	2203-005148	C-CER,CHIP;100nF,10%,16V,X7R,TP,160	1	SA	
KR125	2007-000070	R-CHIP;0ohm,5%,1/10W,TP,1608	1	SA		MC52	2203-005148	C-CER,CHIP;100nF,10%,16V,X7R,TP,160	1	SA	
KR126	2007-000084	R-CHIP;4.7Kohm,5%,1/10W,TP,1608	1	SA		MC53	2203-000681	C-CER,CHIP;0.027nF,5%,50V,C0G,1608	1	SA	
KR127	2007-000082	R-CHIP;3.3Kohm,5%,1/10W,TP,1608	1	SA		MC54	2203-000646	C-CER,CHIP;0.024nF,5%,50V,C0G,TP,16	1	SA	
KR128	2007-000087	R-CHIP;6.8Kohm,5%,1/10W,TP,1608	1	SA		MC55	2203-005148	C-CER,CHIP;100nF,10%,16V,X7R,TP,160	1	SA	
MB01	3301-001495	BEAD-SMD;120ohm,2012,2500mA,TP,1150	1	SA		MC56	2203-005148	C-CER,CHIP;100nF,10%,16V,X7R,TP,160	1	SA	
MB02	3301-001495	BEAD-SMD;120ohm,2012,2500mA,TP,1150	1	SA		MC57	2203-005148	C-CER,CHIP;100nF,10%,16V,X7R,TP,160	1	SA	
MB03	3301-001495	BEAD-SMD;120ohm,2012,2500mA,TP,1150	1	SA		MC58	2203-005148	C-CER,CHIP;100nF,10%,16V,X7R,TP,160	1	SA	
MB04	3301-001495	BEAD-SMD;120ohm,2012,2500mA,TP,1150	1	SA		MC59	2203-000062	C-CER,CHIP;47nF,+80-20%,50V,Y5V,160	1	SA	
MB07	3301-001495	BEAD-SMD;120ohm,2012,2500mA,TP,1150	1	SA		MC60	2402-001042	C-AL,SMD;100uF,20%,16V,GP,TP,6.6x6.	1	SA	
MB08	3301-001495	BEAD-SMD;120ohm,2012,2500mA,TP,1150	1	SA		MC61	2402-001042	C-AL,SMD;100uF,20%,16V,GP,TP,6.6x6.	1	SA	
MB10	3301-001495	BEAD-SMD;120ohm,2012,2500mA,TP,1150	1	SA		MC62	2203-005148	C-CER,CHIP;100nF,10%,16V,X7R,TP,160	1	SA	
MC01	2402-001096	C-AL,SMD;220uF,20%,16V,GP,TP,6.6x6.	1	SA		MC63	2203-005148	C-CER,CHIP;100nF,10%,16V,X7R,TP,160	1	SA	
MC02	2203-005148	C-CER,CHIP;100nF,10%,16V,X7R,TP,160	1	SA		MC64	2203-005148	C-CER,CHIP;100nF,10%,16V,X7R,TP,160	1	SA	
MC03	2203-005148	C-CER,CHIP;100nF,10%,16V,X7R,TP,160	1	SA		MC65	2402-001042	C-AL,SMD;100uF,20%,16V,GP,TP,6.6x6.	1	SA	
MC04	2203-005148	C-CER,CHIP;100nF,10%,16V,X7R,TP,160	1	SA		MC66	2203-005148	C-CER,CHIP;100nF,10%,16V,X7R,TP,160	1	SA	
MC05	2203-000280	C-CER,CHIP;0.01nF,0.5pF,50V,C0G,160	1	SA		MC67	2203-005148	C-CER,CHIP;100nF,10%,16V,X7R,TP,160	1	SA	
MC06	2203-000280	C-CER,CHIP;0.01nF,0.5pF,50V,C0G,160	1	SA		MC68	2203-005148	C-CER,CHIP;100nF,10%,16V,X7R,TP,160	1	SA	
MC07	2402-001096	C-AL,SMD;220uF,20%,16V,GP,TP,6.6x6.	1	SA		MC69	2203-005148	C-CER,CHIP;100nF,10%,16V,X7R,TP,160	1	SA	
MC08	2203-005148	C-CER,CHIP;100nF,10%,16V,X7R,TP,160	1	SA		MC70	2203-005148	C-CER,CHIP;100nF,10%,16V,X7R,TP,160	1	SA	
MC09	2203-005148	C-CER,CHIP;100nF,10%,16V,X7R,TP,160	1	SA		MC71	2203-005148	C-CER,CHIP;100nF,10%,16V,X7R,TP,160	1	SA	
MC10	2203-005148	C-CER,CHIP;100nF,10%,16V,X7R,TP,160	1	SA		MC72	2203-005148	C-CER,CHIP;100nF,10%,16V,X7R,TP,160	1	SA	
MC11	2203-005148	C-CER,CHIP;100nF,10%,16V,X7R,TP,160	1	SA		MC77	2203-005148	C-CER,CHIP;100nF,10%,16V,X7R,TP,160	1	SA	
MC12	2402-000136	C-AL,SMD;22uF,20%,16V,GP,TP,5.3x5.3	1	SA		MC78	2203-005148	C-CER,CHIP;100nF,10%,16V,X7R,TP,160	1	SA	
MC13	2203-000236	C-CER,CHIP;0.1nF,5%,50V,C0G,1608	1	SA		MC79	2203-005148	C-CER,CHIP;100nF,10%,16V,X7R,TP,160	1	SA	
MC14	2203-001126	C-AL,SMD;100nF,10%,16V,X7R,TP,1608	1	SA		MC80	2402-001042	C-AL,SMD;100uF,20%,16V,GP,TP,6.6x6.	1	SA	
MC15	2203-000257	C-CER,CHIP;10nF,10%,50V,X7R,TP,1608	1	SA		MC81	2203-005148	C-CER,CHIP;100nF,10%,16V,X7R,TP,160	1	SA	
MC16	2402-000136	C-AL,SMD;22uF,20%,16V,GP,TP,5.3x5.3	1	SA		MC82	2203-005148	C-CER,CHIP;100nF,10%,16V,X7R,TP,160	1	SA	
MC17	2203-001652	C-CER,CHIP;470nF,+80-20%,16V,Y5V,16	1	SA		MC83	2203-005148	C-CER,CHIP;100nF,10%,16V,X7R,TP,160	1	SA	
MC18	2203-000257	C-CER,CHIP;10nF,10%,50V,X7R,TP,1608	1	SA		MC84	2203-005148	C-CER,CHIP;100nF,10%,16V,X7R,TP,160	1	SA	
MC19	2203-001652	C-CER,CHIP;470nF,+80-20%,16V,Y5V,16	1	SA		MC85	2203-005148	C-CER,CHIP;100nF,10%,16V,X7R,TP,160	1	SA	
MC20	2203-000257	C-CER,CHIP;10nF,10%,50V,X7R,TP,1608	1	SA		MC86	2203-005148	C-CER,CHIP;100nF,10%,16V,X7R,TP,160	1	SA	
MC21	2402-001049	C-AL,SMD;10uF,20%,16V,GP,TP,3.3x3.3	1	SA		MC87	2203-005148	C-CER,CHIP;100nF,10%,16V,X7R,TP,160	1	SA	
MC22	2203-001126	C-CER,CHIP;0.68nF,10%,50V,X7R,1608	1	SA		MC88	2203-005148	C-CER,CHIP;100nF,10%,16V,X7R,TP,160	1	SA	
MC23	2203-005148	C-CER,CHIP;100nF,10%,16V,X7R,TP,160	1	SA		MC89	2203-005148	C-CER,CHIP;100nF,10%,16V,X7R,TP,160	1	SA	
MC24	2402-000136	C-AL,SMD;22uF,20%,16V,GP,TP,5.3x5.3	1	SA		MC90	2402-000130	C-AL,SMD;2.2uF,20%,50V,GP,TP,4.3x4.	1	SA	
MC25	2203-005148	C-CER,CHIP;100nF,10%,16V,X7R,TP,160	1	SA		MC91	2402-000130	C-AL,SMD;2.2uF,20%,50V,GP,TP,4.3x4.	1	SA	
MC26	2203-005148	C-CER,CHIP;100nF,10%,16V,X7R,TP,160	1	SA		MC92	2203-000189	C-CER,CHIP;100nF,+80-20%,25V,Y5V,16	1	SA	
MC27	2402-000136	C-AL,SMD;22uF,20%,16V,GP,TP,5.3x5.3	1	SA		MC93	2402-000008	C-AL,SMD;47uF,20%,16V,GP,TP,6.6x6.6	1	SA	
MC28	2203-005148	C-CER,CHIP;100nF,10%,16V,X7R,TP,160	1	SA		MC94	2402-001009	C-AL,SMD;100uF,20%,6.3V,GP,TP,5.3x5	1	SA	
MC29	2203-005148	C-CER,CHIP;100nF,10%,16V,X7R,TP,160	1	SA		MC95	2402-001009	C-AL,SMD;100uF,20%,6.3V,GP,TP,5.3x5	1	SA	
MC30	2203-005148	C-CER,CHIP;100nF,10%,16V,X7R,TP,160	1	SA		MC96	2402-001009	C-AL,SMD;100uF,20%,6.3V,GP,TP,5.3x5	1	SA	
MC31	2203-005148	C-CER,CHIP;100nF,10%,16V,X7R,TP,160	1	SA		MCON1	3708-001417	CONNECTOR-FPC/FC/PIC;30P;1mm,SMD-S	1	SA	
MC32	2203-000440	C-CER,CHIP;1nF,10%,50V,X7R,1608	1	SA		MCON2	3711-005960	HEADER-BOARD TO CABLE;BOX,15P,1R,2m	1	SA	
MC33	2203-005148	C-CER,CHIP;100nF,10%,16V,X7R,TP,160	1	SA		MD01	0401-001090	DIODE-SWITCHING;1SS355,80V,100MA,SO	1	SA	
MC34	2203-000236	C-CER,CHIP;0.1nF,5%,50V,C0G,1608	1	SA		MD04	0401-001090	DIODE-SWITCHING;1SS355,80V,100MA,SO	1	SA	
MC35	2203-005148	C-CER,CHIP;100nF,10%,16V,X7R,TP,160	1	SA		MIC1	1204-002847	IC-PAL/NTSC DECODER;ES8391SCC,LQFP,	1	SA	
MC37	2203-000280	C-CER,CHIP;0.01nF,0.5pF,50V,C0G,160	1	SA		MIC10	0801-002391	IC-CMOS LOGIC;74LCX00,NAND GATE,TSS	1	SA	
MC38	2203-002398	C-CER,CHIP;22nF,10%,50V,X7R,1608	1	SA		MIC2	1105-001573	IC-DRAM;K4S281632,-,128Mbit,8Mx16Bi	1	SA	
MC39	2402-000136	C-AL,SMD;22uF,20%,16V,GP,TP,5.3x5.3	1	SA		MIC3	1107-001600	IC-NOR FLASH;MX25L1605A,16Mbit,2Mx8	1	SA	
MC42	2203-005065	C-CER,CHIP;100nF,+80-20%,10V,Y5V,1	1	SA		MIC5	0801-002683	IC-CMOS LOGIC;74HCT245,TRANSCEIVER,	1	SA	
MC43	2203-000888	C-CER,CHIP;4.7nF,10%,50V,X7R,1608	1	SA		MIC6	1103-001333	IC-EEPROM;24C08A,1Kx8Bit,SOP,8P,5x4	1	SA	
MC44	2203-000440	C-CER,CHIP;1nF,10%,50V,X7R,1608	1	SA		ML15	3301-001495	BEAD-SMD;120ohm,2012,2500mA,TP,1150	1	SA	
MC45	2203-000257	C-CER,CHIP;10nF,10%,50V,X7R,TP,1608	1	SA		ML20	3301-001495	BEAD-SMD;120ohm,2012,2500mA,TP,1150	1	SA	
MC46	2203-005015	C-CER,CHIP;10nF,+80-20%,16V,Y5V,16	1	SA		ML41	3301-000314	BEAD-SMD;120ohm,1.6x0.8x0.8mm,-,-,-	1	SA	
MC47	2203-001086	C-CER,CHIP;0.0050nF,0.25pF,50V,NP0,	1	SA		ML43	3301-000314	BEAD-SMD;120ohm,1.6x0.8x0.8mm,-,-,-	1	SA	
MC48	2203-005148	C-CER,CHIP;100nF,10%,16V,X7R,TP,160	1	SA		ML44	3301-000314	BEAD-SMD;120ohm,1.6x0.8x0.8mm,-,-,-	1	SA	
						ML45	3301-000314	BEAD-SMD;120ohm,1.6x0.8x0.8mm,-,-,-	1	SA	

Loc. No.	Part No.	Description;Specification	Q'ty	SNA	Remark	Loc. No.	Part No.	Description;Specification	Q'ty	SNA	Remark
ML46	3301-000314	BEAD-SMD;120ohm,1.6x0.8x0.8mm,-,-,-	1	SA		MR154	2007-000113	R-CHIP;33ohm,5%,1/10W,TP,1608	1	SA	
ML47	3301-000314	BEAD-SMD;120ohm,1.6x0.8x0.8mm,-,-,-	1	SA		MR155	2007-000113	R-CHIP;33ohm,5%,1/10W,TP,1608	1	SA	
ML48	3301-000314	BEAD-SMD;120ohm,1.6x0.8x0.8mm,-,-,-	1	SA		MR156	2007-000113	R-CHIP;33ohm,5%,1/10W,TP,1608	1	SA	
ML5	3301-001495	BEAD-SMD;120ohm,2012,2500mA,TP,115o	1	SA		MR157	2007-000084	R-CHIP;4.7Kohm,5%,1/10W,TP,1608	1	SA	
ML50	3301-001495	BEAD-SMD;120ohm,2012,2500mA,TP,115o	1	SA		MR158	2007-000084	R-CHIP;4.7Kohm,5%,1/10W,TP,1608	1	SA	
ML6	3301-001495	BEAD-SMD;120ohm,2012,2500mA,TP,115o	1	SA		MR159	2007-000079	R-CHIP;1.8Kohm,5%,1/10W,TP,1608	1	SA	
MR01	2007-000094	R-CHIP;22Kohm,5%,1/10W,TP,1608	1	SA		MR16	2007-000090	R-CHIP;10Kohm,5%,1/10W,TP,1608	1	SA	
MR02	2007-000087	R-CHIP;6.8Kohm,5%,1/10W,TP,1608	1	SA		MR160	2007-000075	R-CHIP;220ohm,5%,1/10W,TP,1608	1	SA	
MR03	2007-000070	R-CHIP;0ohm,5%,1/10W,TP,1608	1	SA		MR161	2007-000075	R-CHIP;220ohm,5%,1/10W,TP,1608	1	SA	
MR04	2007-000070	R-CHIP;0ohm,5%,1/10W,TP,1608	1	SA		MR162	2007-000097	R-CHIP;47Kohm,5%,1/10W,TP,1608	1	SA	
MR06	2007-000070	R-CHIP;0ohm,5%,1/10W,TP,1608	1	SA		MR163	2007-000097	R-CHIP;47Kohm,5%,1/10W,TP,1608	1	SA	
MR07	2007-000070	R-CHIP;0ohm,5%,1/10W,TP,1608	1	SA		MR166	2007-000097	R-CHIP;47Kohm,5%,1/10W,TP,1608	1	SA	
MR08	2007-000070	R-CHIP;0ohm,5%,1/10W,TP,1608	1	SA		MR167	2007-000113	R-CHIP;33ohm,5%,1/10W,TP,1608	1	SA	
MR09	2007-000070	R-CHIP;0ohm,5%,1/10W,TP,1608	1	SA		MR168	2007-000113	R-CHIP;33ohm,5%,1/10W,TP,1608	1	SA	
MR10	2007-000070	R-CHIP;0ohm,5%,1/10W,TP,1608	1	SA		MR169	2007-000113	R-CHIP;33ohm,5%,1/10W,TP,1608	1	SA	
MR100	2011-000816	R-NETWORK;100ohm,5%,1/16W,L,CHIP,8P	1	SA		MR17	2007-000092	R-CHIP;15Kohm,5%,1/10W,TP,1608	1	SA	
MR101	2007-000074	R-CHIP;100ohm,5%,1/10W,TP,1608	1	SA		MR170	2007-000074	R-CHIP;100ohm,5%,1/10W,TP,1608	1	SA	
MR102	2007-000113	R-CHIP;33ohm,5%,1/10W,TP,1608	1	SA		MR171	2007-000074	R-CHIP;100ohm,5%,1/10W,TP,1608	1	SA	
MR108	2007-000102	R-CHIP;100Kohm,5%,1/10W,TP,1608	1	SA		MR172	2007-000074	R-CHIP;100ohm,5%,1/10W,TP,1608	1	SA	
MR109	2011-000816	R-NETWORK;100ohm,5%,1/16W,L,CHIP,8P	1	SA		MR173	2007-000074	R-CHIP;100ohm,5%,1/10W,TP,1608	1	SA	
MR11	2007-000070	R-CHIP;0ohm,5%,1/10W,TP,1608	1	SA		MR174	2007-000113	R-CHIP;33ohm,5%,1/10W,TP,1608	1	SA	
MR110	2011-000816	R-NETWORK;100ohm,5%,1/16W,L,CHIP,8P	1	SA		MR175	2007-000113	R-CHIP;33ohm,5%,1/10W,TP,1608	1	SA	
MR111	2007-000113	R-CHIP;33ohm,5%,1/10W,TP,1608	1	SA		MR176	2007-000113	R-CHIP;33ohm,5%,1/10W,TP,1608	1	SA	
MR112	2007-000113	R-CHIP;33ohm,5%,1/10W,TP,1608	1	SA		MR18	2007-000092	R-CHIP;15Kohm,5%,1/10W,TP,1608	1	SA	
MR113	2007-000113	R-CHIP;33ohm,5%,1/10W,TP,1608	1	SA		MR181	2007-000074	R-CHIP;100ohm,5%,1/10W,TP,1608	1	SA	
MR114	2007-000084	R-CHIP;4.7Kohm,5%,1/10W,TP,1608	1	SA		MR183	2007-000097	R-CHIP;47Kohm,5%,1/10W,TP,1608	1	SA	
MR115	2007-000133	R-CHIP;330Kohm,5%,1/10W,TP,1608	1	SA		MR187	2007-000074	R-CHIP;100ohm,5%,1/10W,TP,1608	1	SA	
MR116	2007-000552	R-CHIP;20ohm,5%,1/10W,TP,1608	1	SA		MR188	2007-000090	R-CHIP;10Kohm,5%,1/10W,TP,1608	1	SA	
MR117	2007-000552	R-CHIP;20ohm,5%,1/10W,TP,1608	1	SA		MR19	2007-000552	R-CHIP;20ohm,5%,1/10W,TP,1608	1	SA	
MR120	2007-000113	R-CHIP;33ohm,5%,1/10W,TP,1608	1	SA		MR190	2007-000084	R-CHIP;4.7Kohm,5%,1/10W,TP,1608	1	SA	
MR121	2007-000118	R-CHIP;390ohm,5%,1/10W,TP,1608	1	SA		MR191	2007-000075	R-CHIP;220ohm,5%,1/10W,TP,1608	1	SA	
MR122	2007-000070	R-CHIP;0ohm,5%,1/10W,TP,1608	1	SA		MR20	2007-000552	R-CHIP;20ohm,5%,1/10W,TP,1608	1	SA	
MR124	2007-000084	R-CHIP;4.7Kohm,5%,1/10W,TP,1608	1	SA		MR22	2007-000078	R-CHIP;1Kohm,5%,1/10W,TP,1608	1	SA	
MR125	2007-000074	R-CHIP;100ohm,5%,1/10W,TP,1608	1	SA		MR23	2007-000078	R-CHIP;1Kohm,5%,1/10W,TP,1608	1	SA	
MR126	2007-000074	R-CHIP;100ohm,5%,1/10W,TP,1608	1	SA		MR24	2007-000098	R-CHIP;56Kohm,5%,1/10W,TP,1608	1	SA	
MR127	2007-000074	R-CHIP;100ohm,5%,1/10W,TP,1608	1	SA		MR25	2007-000092	R-CHIP;15Kohm,5%,1/10W,TP,1608	1	SA	
MR128	2007-000113	R-CHIP;33ohm,5%,1/10W,TP,1608	1	SA		MR26	2007-000130	R-CHIP;39Kohm,5%,1/10W,TP,1608	1	SA	
MR129	2007-000113	R-CHIP;33ohm,5%,1/10W,TP,1608	1	SA		MR27	2007-000098	R-CHIP;56Kohm,5%,1/10W,TP,1608	1	SA	
MR13	2007-000074	R-CHIP;100ohm,5%,1/10W,TP,1608	1	SA		MR28	2007-000078	R-CHIP;1Kohm,5%,1/10W,TP,1608	1	SA	
MR130	2007-000113	R-CHIP;33ohm,5%,1/10W,TP,1608	1	SA		MR29	2007-000070	R-CHIP;0ohm,5%,1/10W,TP,1608	1	SA	
MR131	2007-000084	R-CHIP;4.7Kohm,5%,1/10W,TP,1608	1	SA		MR30	2007-000070	R-CHIP;0ohm,5%,1/10W,TP,1608	1	SA	
MR132	2007-000090	R-CHIP;10Kohm,5%,1/10W,TP,1608	1	SA		MR31	2007-000070	R-CHIP;0ohm,5%,1/10W,TP,1608	1	SA	
MR133	2007-000081	R-CHIP;2.7Kohm,5%,1/10W,TP,1608	1	SA		MR32	2007-000070	R-CHIP;0ohm,5%,1/10W,TP,1608	1	SA	
MR134	2007-000078	R-CHIP;1Kohm,5%,1/10W,TP,1608	1	SA		MR41	2007-000070	R-CHIP;0ohm,5%,1/10W,TP,1608	1	SA	
MR136	2007-000090	R-CHIP;10Kohm,5%,1/10W,TP,1608	1	SA		MR42	2007-000070	R-CHIP;0ohm,5%,1/10W,TP,1608	1	SA	
MR139	2007-000084	R-CHIP;4.7Kohm,5%,1/10W,TP,1608	1	SA		MR43	2007-000081	R-CHIP;2.7Kohm,5%,1/10W,TP,1608	1	SA	
MR14	2007-000074	R-CHIP;100ohm,5%,1/10W,TP,1608	1	SA		MR44	2007-000081	R-CHIP;2.7Kohm,5%,1/10W,TP,1608	1	SA	
MR140	2007-000309	R-CHIP;10ohm,5%,1/10W,TP,1608	1	SA		MR45	2007-000084	R-CHIP;4.7Kohm,5%,1/10W,TP,1608	1	SA	
MR141	2007-000309	R-CHIP;10ohm,5%,1/10W,TP,1608	1	SA		MR46	2007-000084	R-CHIP;4.7Kohm,5%,1/10W,TP,1608	1	SA	
MR142	2007-000309	R-CHIP;10ohm,5%,1/10W,TP,1608	1	SA		MR47	2007-000113	R-CHIP;33ohm,5%,1/10W,TP,1608	1	SA	
MR143	2007-000309	R-CHIP;10ohm,5%,1/10W,TP,1608	1	SA		MR48	2007-000121	R-CHIP;820ohm,5%,1/10W,TP,1608	1	SA	
MR144	2007-000309	R-CHIP;10ohm,5%,1/10W,TP,1608	1	SA		MR49	2007-000070	R-CHIP;0ohm,5%,1/10W,TP,1608	1	SA	
MR149	2007-000070	R-CHIP;0ohm,5%,1/10W,TP,1608	1	SA		MR50	2007-000070	R-CHIP;0ohm,5%,1/10W,TP,1608	1	SA	
MR15	2007-000070	R-CHIP;0ohm,5%,1/10W,TP,1608	1	SA		MR51	2007-000084	R-CHIP;4.7Kohm,5%,1/10W,TP,1608	1	SA	
MR150	2007-000070	R-CHIP;0ohm,5%,1/10W,TP,1608	1	SA		MR52	2007-000084	R-CHIP;4.7Kohm,5%,1/10W,TP,1608	1	SA	
MR151	2007-000070	R-CHIP;0ohm,5%,1/10W,TP,1608	1	SA		MR53	2007-000084	R-CHIP;4.7Kohm,5%,1/10W,TP,1608	1	SA	
MR152	2007-000113	R-CHIP;33ohm,5%,1/10W,TP,1608	1	SA		MR54	2007-000070	R-CHIP;0ohm,5%,1/10W,TP,1608	1	SA	
MR153	2007-000113	R-CHIP;33ohm,5%,1/10W,TP,1608	1	SA		MR55	2007-000070	R-CHIP;0ohm,5%,1/10W,TP,1608	1	SA	

Exploded View & Part List

Loc. No.	Part No.	Description;Specification	Q'ty	SNA	Remark	Loc. No.	Part No.	Description;Specification	Q'ty	SNA	Remark
MR56	2007-000070	R-CHIP;0ohm,5%,1/10W,TP,1608	1	SA		RC15	2402-001042	C-AL,SMD;100uF,20%,16V,GP,TP,6.6x6.	1	SA	
MR57	2007-000070	R-CHIP;0ohm,5%,1/10W,TP,1608	1	SA		RC19	2203-000440	C-CER,CHIP;1nF,10%,50V,X7R,1608	1	SA	
MR58	2007-000070	R-CHIP;0ohm,5%,1/10W,TP,1608	1	SA		RC20	2203-000189	C-CER,CHIP;100nF,+80-20%,25V,Y5V,16	1	SA	
MR59	2007-000070	R-CHIP;0ohm,5%,1/10W,TP,1608	1	SA		RC21	2402-001042	C-AL,SMD;100uF,20%,16V,GP,TP,6.6x6.	1	SA	
MR60	2007-000122	R-CHIP;1.2Kohm,5%,1/10W,TP,1608	1	SA		RC22	2203-000440	C-CER,CHIP;1nF,10%,50V,X7R,1608	1	SA	
MR61	2007-000078	R-CHIP;1Kohm,5%,1/10W,TP,1608	1	SA		RC26	2402-000008	C-AL,SMD;47uF,20%,16V,GP,TP,6.6x6.6	1	SA	
MR62	2007-000122	R-CHIP;1.2Kohm,5%,1/10W,TP,1608	1	SA		RC29	2203-005148	C-CER,CHIP;100nF,10%,16V,X7R,TP,160	1	SA	
MR63	2007-000078	R-CHIP;1Kohm,5%,1/10W,TP,1608	1	SA		RCN1	3708-001765	CONNECTOR-FPC/FFC/PIC;24P,0.5mm,SMD	1	SA	
MR64	2007-000074	R-CHIP;100ohm,5%,1/10W,TP,1608	1	SA		RCN2	3708-001878	CONNECTOR-FPC/FFC/PIC;6P,1MM,SMD-A,	1	SA	
MR65	2007-000074	R-CHIP;100ohm,5%,1/10W,TP,1608	1	SA		RCN3	3708-002140	CONNECTOR-FPC/FFC/PIC;5P,1MM,SMD-S,	1	SA	
MR66	2011-000816	R-NETWORK;100ohm,5%,1/16W,L,CHIP,8P	1	SA		RD1	0407-000116	DIODE-ARRAY;KDS181, DAP202K,80V,100	1	SA	
MR67	2011-000816	R-NETWORK;100ohm,5%,1/16W,L,CHIP,8P	1	SA		RD2	0401-001090	DIODE-SWITCHING;1SS355,80V,100MA,SO	1	SA	
MR68	2011-000816	R-NETWORK;100ohm,5%,1/16W,L,CHIP,8P	1	SA		RIC1	1201-001842	IC-OP AMP;TL3472CD,SO,TP,8P,-,DUAL,	1	SA	
MR69	2007-000090	R-CHIP;10Kohm,5%,1/10W,TP,1608	1	SA		RIC4	1003-001978	IC-MOTOR DRIVER;AM5766,HSOP28H,28P,	1	SA	
MR70	2007-000106	R-CHIP;220Kohm,5%,1/10W,TP,1608	1	SA		RL1	3301-001495	BEAD-SMD;120ohm,2012,2500mA,TP,115o	1	SA	
MR71	2007-000070	R-CHIP;0ohm,5%,1/10W,TP,1608	1	SA		RL2	3301-001495	BEAD-SMD;120ohm,2012,2500mA,TP,115o	1	SA	
MR72	2007-000070	R-CHIP;0ohm,5%,1/10W,TP,1608	1	SA		RL3	3301-001495	BEAD-SMD;120ohm,2012,2500mA,TP,115o	1	SA	
MR76	2007-000084	R-CHIP;4.7Kohm,5%,1/10W,TP,1608	1	SA		RL4	3301-001495	BEAD-SMD;120ohm,2012,2500mA,TP,115o	1	SA	
MR78	2007-000084	R-CHIP;4.7Kohm,5%,1/10W,TP,1608	1	SA		RL7	2703-000185	INDUCTOR-SMD;3.3uH,10%,2012	1	SA	
MR80	2007-000084	R-CHIP;4.7Kohm,5%,1/10W,TP,1608	1	SA		RQ1	0501-000632	TR-SMALL SIGNAL;2SB1197K,PNP,200mW,	1	SA	
MR83	2007-000084	R-CHIP;4.7Kohm,5%,1/10W,TP,1608	1	SA		RQ2	0501-000632	TR-SMALL SIGNAL;2SB1197K,PNP,200mW,	1	SA	
MR87	2011-000816	R-NETWORK;100ohm,5%,1/16W,L,CHIP,8P	1	SA		RQ3	0504-000128	TR-DIGITAL;-NPN,200MW,22K/22K,SOT-	1	SA	
MR88	2007-000090	R-CHIP;10Kohm,5%,1/10W,TP,1608	1	SA		RQ4	0504-000128	TR-DIGITAL;-NPN,200MW,22K/22K,SOT-	1	SA	
MR89	2007-000113	R-CHIP;33ohm,5%,1/10W,TP,1608	1	SA		RQ5	0504-000128	TR-DIGITAL;-NPN,200MW,22K/22K,SOT-	1	SA	
MR90	2007-000074	R-CHIP;100ohm,5%,1/10W,TP,1608	1	SA		RR01	2007-000070	R-CHIP;0ohm,5%,1/10W,TP,1608	1	SA	
MR91	2011-000816	R-NETWORK;100ohm,5%,1/16W,L,CHIP,8P	1	SA		RR02	2007-000070	R-CHIP;0ohm,5%,1/10W,TP,1608	1	SA	
MR92	2007-000074	R-CHIP;100ohm,5%,1/10W,TP,1608	1	SA		RR03	2007-000071	R-CHIP;22ohm,5%,1/10W,TP,1608	1	SA	
MR93	2007-000074	R-CHIP;100ohm,5%,1/10W,TP,1608	1	SA		RR04	2007-000074	R-CHIP;100ohm,5%,1/10W,TP,1608	1	SA	
MR94	2007-000077	R-CHIP;470ohm,5%,1/10W,TP,1608	1	SA		RR05	2007-000074	R-CHIP;100ohm,5%,1/10W,TP,1608	1	SA	
MR95	2011-000816	R-NETWORK;100ohm,5%,1/16W,L,CHIP,8P	1	SA		RR06	2007-000309	R-CHIP;10ohm,5%,1/10W,TP,1608	1	SA	
MR96	2011-000816	R-NETWORK;100ohm,5%,1/16W,L,CHIP,8P	1	SA		RR07	2007-000309	R-CHIP;10ohm,5%,1/10W,TP,1608	1	SA	
MX01	2801-004284	CRYSTAL-SMD;27MHZ,10PPM,28-AAN,20PF	1	SA		RR08	2007-000097	R-CHIP;47Kohm,5%,1/10W,TP,1608	1	SA	
PC01	2402-001042	C-AL,SMD;100uF,20%,16V,GP,TP,6.6x6.	1	SA		RR09	2007-000078	R-CHIP;1Kohm,5%,1/10W,TP,1608	1	SA	
PC02	2203-005148	C-CER,CHIP;100nF,10%,16V,X7R,TP,160	1	SA		RR10	2007-000090	R-CHIP;10Kohm,5%,1/10W,TP,1608	1	SA	
PC03	2402-001049	C-AL,SMD;10uF,20%,16V,GP,TP,3.3x3.3	1	SA		RR13	2007-000097	R-CHIP;47Kohm,5%,1/10W,TP,1608	1	SA	
PC04	2203-005148	C-CER,CHIP;100nF,10%,16V,X7R,TP,160	1	SA		RR14	2007-000097	R-CHIP;47Kohm,5%,1/10W,TP,1608	1	SA	
PC05	2402-001198	C-AL,SMD;330UF,20%,6.3V,GP,TP,6.6x6	1	SA		RR29	2007-000078	R-CHIP;1Kohm,5%,1/10W,TP,1608	1	SA	
PC06	2203-005148	C-CER,CHIP;100nF,10%,16V,X7R,TP,160	1	SA		RR30	2007-000090	R-CHIP;10Kohm,5%,1/10W,TP,1608	1	SA	
PC07	2402-001042	C-AL,SMD;100uF,20%,16V,GP,TP,6.6x6.	1	SA		RR31	2007-000309	R-CHIP;10ohm,5%,1/10W,TP,1608	1	SA	
PC08	2203-005148	C-CER,CHIP;100nF,10%,16V,X7R,TP,160	1	SA		RR32	2007-000309	R-CHIP;10ohm,5%,1/10W,TP,1608	1	SA	
PC11	2402-001042	C-AL,SMD;100uF,20%,16V,GP,TP,6.6x6.	1	SA		RR33	2007-000071	R-CHIP;22ohm,5%,1/10W,TP,1608	1	SA	
PC12	2203-005148	C-CER,CHIP;100nF,10%,16V,X7R,TP,160	1	SA		RR34	2007-000090	R-CHIP;10Kohm,5%,1/10W,TP,1608	1	SA	
PC13	2402-001059	C-AL,SMD;220uF,20%,6.3V,-,TP,6x6.6	1	SA		RR35	2007-000097	R-CHIP;47Kohm,5%,1/10W,TP,1608	1	SA	
PC14	2203-005148	C-CER,CHIP;100nF,10%,16V,X7R,TP,160	1	SA		RR36	2007-000078	R-CHIP;1Kohm,5%,1/10W,TP,1608	1	SA	
PCB_MAIN	AH41-01124A	PCB-MAIN;HT-X715 MAIN PCB,EPOXY,4,0	1	SNA		RR37	2007-000078	R-CHIP;1Kohm,5%,1/10W,TP,1608	1	SA	
PIC1	1203-002935	IC-POS.ADJUST REG.;AIC1117ACE,TO-2	1	SA		RR38	2007-000078	R-CHIP;1Kohm,5%,1/10W,TP,1608	1	SA	
PR01	2007-000119	R-CHIP;560ohm,5%,1/10W,TP,1608	1	SA		RR39	2007-000090	R-CHIP;10Kohm,5%,1/10W,TP,1608	1	SA	
PR02	2007-000074	R-CHIP;100ohm,5%,1/10W,TP,1608	1	SA		RR41	2007-000070	R-CHIP;0ohm,5%,1/10W,TP,1608	1	SA	
RB07	3301-001495	BEAD-SMD;120ohm,2012,2500mA,TP,115o	1	SA		RR42	2007-000098	R-CHIP;56Kohm,5%,1/10W,TP,1608	1	SA	
RB08	3301-001495	BEAD-SMD;120ohm,2012,2500mA,TP,115o	1	SA		RR43	2007-000098	R-CHIP;56Kohm,5%,1/10W,TP,1608	1	SA	
RB09	3301-001495	BEAD-SMD;120ohm,2012,2500mA,TP,115o	1	SA		RR44	2007-000102	R-CHIP;100Kohm,5%,1/10W,TP,1608	1	SA	
RB1A	3301-001495	BEAD-SMD;120ohm,2012,2500mA,TP,115o	1	SA		RR48	2007-000102	R-CHIP;100Kohm,5%,1/10W,TP,1608	1	SA	
RC01	2203-000189	C-CER,CHIP;100nF,+80-20%,25V,Y5V,16	1	SA		RR52	2007-000124	R-CHIP;2.2Kohm,5%,1/10W,TP,1608	1	SA	
RC02	2203-005148	C-CER,CHIP;100nF,10%,16V,X7R,TP,160	1	SA		RR53	2007-000084	R-CHIP;4.7Kohm,5%,1/10W,TP,1608	1	SA	
RC03	2402-000175	C-AL,SMD;470uF,20%,6.3V,-,-,8.3x8.3	1	SA		RR54	2007-000109	R-CHIP;1Mohm,5%,1/10W,TP,1608	1	SA	
RC11	2203-000189	C-CER,CHIP;100nF,+80-20%,25V,Y5V,16	1	SA		RR55	2007-000070	R-CHIP;0ohm,5%,1/10W,TP,1608	1	SA	
RC12	2203-000189	C-CER,CHIP;100nF,+80-20%,25V,Y5V,16	1	SA		RR56	2007-000458	R-CHIP;18Kohm,5%,1/10W,TP,1608	1	SA	
RC13	2203-000189	C-CER,CHIP;100nF,+80-20%,25V,Y5V,16	1	SA		RR57	2007-000094	R-CHIP;22Kohm,5%,1/10W,TP,1608	1	SA	
RC14	2203-000189	C-CER,CHIP;100nF,+80-20%,25V,Y5V,16	1	SA							

Loc. No.	Part No.	Description;Specification	Q'ty	SNA	Remark	Loc. No.	Part No.	Description;Specification	Q'ty	SNA	Remark
RR58	2007-000070	R-CHIP;0ohm,5%,1/10W,TP,1608	1	SA		UD19	0406-001128	DIODE-TVS;MLVS-0603-E08,50V,-	1	SA	
RR60	2007-000120	R-CHIP;680ohm,5%,1/10W,TP,1608	1	SA		UD21	0401-001110	DIODE-SWITCHING;-;80V,100MA,SOD-523	1	SA	
RR61	2007-000078	R-CHIP;1Kohm,5%,1/10W,TP,1608	1	SA		UD22	0401-001090	DIODE-SWITCHING;1SS355,80V,100MA,SO	1	SA	
RR62	2007-000090	R-CHIP;10Kohm,5%,1/10W,TP,1608	1	SA		UIC1	0903-001405	IC-MICROCONTROLLER;LC87F5CC8A,8Bit,	1	SA	
RR63	2007-000082	R-CHIP;3.3Kohm,5%,1/10W,TP,1608	1	SA		UL1	3301-001495	BEAD-SMD;120ohm,2012,2500mA,TP,115o	1	SA	
RR64	2007-000090	R-CHIP;10Kohm,5%,1/10W,TP,1608	1	SA		UL10	3301-000314	BEAD-SMD;120ohm,1.6x0.8x0.8mm,-,-,-	1	SA	
UC1	2203-005148	C-CER,CHIP;100nF,10%,16V,X7R,TP,160	1	SA		UL11	3301-000314	BEAD-SMD;120ohm,1.6x0.8x0.8mm,-,-,-	1	SA	
UC10	2402-001042	C-AL,SMD;100uF,20%,16V,GP,TP,6.6x6.	1	SA		UL12	3301-000314	BEAD-SMD;120ohm,1.6x0.8x0.8mm,-,-,-	1	SA	
UC11	2409-000123	C-EDL;47000uF,4uA,5.5V,-,BK,-,5mm	1	SA		UL15	3301-001495	BEAD-SMD;120ohm,2012,2500mA,TP,115o	1	SA	
UC12	2402-001042	C-AL,SMD;100uF,20%,16V,GP,TP,6.6x6.	1	SA		UL16	3301-001495	BEAD-SMD;120ohm,2012,2500mA,TP,115o	1	SA	
UC13	2203-005148	C-CER,CHIP;100nF,10%,16V,X7R,TP,160	1	SA		UL17	3301-001495	BEAD-SMD;120ohm,2012,2500mA,TP,115o	1	SA	
UC14	2203-005148	C-CER,CHIP;100nF,10%,16V,X7R,TP,160	1	SA		UL4	3301-001495	BEAD-SMD;120ohm,2012,2500mA,TP,115o	1	SA	
UC15	2203-005148	C-CER,CHIP;100nF,10%,16V,X7R,TP,160	1	SA		UL5	3301-000314	BEAD-SMD;120ohm,1.6x0.8x0.8mm,-,-,-	1	SA	
UC16	2203-000972	C-CER,CHIP;47nF,10%,16V,X7R,1608	1	SA		UL6	3301-000314	BEAD-SMD;120ohm,1.6x0.8x0.8mm,-,-,-	1	SA	
UC17	2402-001042	C-AL,SMD;100uF,20%,16V,GP,TP,6.6x6.	1	SA		UL7	3301-000314	BEAD-SMD;120ohm,1.6x0.8x0.8mm,-,-,-	1	SA	
UC18	2402-001042	C-AL,SMD;100uF,20%,16V,GP,TP,6.6x6.	1	SA		UL8	3301-000314	BEAD-SMD;120ohm,1.6x0.8x0.8mm,-,-,-	1	SA	
UC19	2203-005148	C-CER,CHIP;100nF,10%,16V,X7R,TP,160	1	SA		UL9	3301-000314	BEAD-SMD;120ohm,1.6x0.8x0.8mm,-,-,-	1	SA	
UC2	2203-001607	C-CER,CHIP;0.22nF,5%,50V,NP0,1608	1	SA		UQ1	0501-000341	TR-SMALL SIGNAL;KSC1623-L,NPN,200mW	1	SA	
UC20	2402-001042	C-AL,SMD;100uF,20%,16V,GP,TP,6.6x6.	1	SA		UQ2	0504-000156	TR-DIGITAL;KSR2103,PNP,200MW,22K/22	1	SA	
UC21	2203-000236	C-CER,CHIP;0.1nF,5%,50V,C0G,1608	1	SA		UR1	2007-000074	R-CHIP;100ohm,5%,1/10W,TP,1608	1	SA	
UC22	2203-000236	C-CER,CHIP;0.1nF,5%,50V,C0G,1608	1	SA		UR10	2007-000102	R-CHIP;100Kohm,5%,1/10W,TP,1608	1	SA	
UC23	2203-005249	C-CER,CHIP;100nF,10%,50V,X7R,1608	1	SA		UR101	2007-000074	R-CHIP;100ohm,5%,1/10W,TP,1608	1	SA	
UC24	2402-000008	C-AL,SMD;47uF,20%,16V,GP,TP,6.6x6.6	1	SA		UR102	2007-000074	R-CHIP;100ohm,5%,1/10W,TP,1608	1	SA	
UC27	2203-005249	C-CER,CHIP;100nF,10%,50V,X7R,1608	1	SA		UR103	2007-000074	R-CHIP;100ohm,5%,1/10W,TP,1608	1	SA	
UC28	2203-005249	C-CER,CHIP;100nF,10%,50V,X7R,1608	1	SA		UR104	2007-000074	R-CHIP;100ohm,5%,1/10W,TP,1608	1	SA	
UC29	2203-005249	C-CER,CHIP;100nF,10%,50V,X7R,1608	1	SA		UR105	2007-000074	R-CHIP;100ohm,5%,1/10W,TP,1608	1	SA	
UC3	2203-001607	C-CER,CHIP;0.22nF,5%,50V,NP0,1608	1	SA		UR108	2007-000074	R-CHIP;100ohm,5%,1/10W,TP,1608	1	SA	
UC30	2203-000236	C-CER,CHIP;0.1nF,5%,50V,C0G,1608	1	SA		UR109	2007-000074	R-CHIP;100ohm,5%,1/10W,TP,1608	1	SA	
UC31	2203-000236	C-CER,CHIP;0.1nF,5%,50V,C0G,1608	1	SA		UR11	2007-000102	R-CHIP;100Kohm,5%,1/10W,TP,1608	1	SA	
UC32	2203-005249	C-CER,CHIP;100nF,10%,50V,X7R,1608	1	SA		UR111	2007-000074	R-CHIP;100ohm,5%,1/10W,TP,1608	1	SA	
UC33	2203-005249	C-CER,CHIP;100nF,10%,50V,X7R,1608	1	SA		UR112	2007-000074	R-CHIP;100ohm,5%,1/10W,TP,1608	1	SA	
UC34	2402-001070	C-AL,SMD;470uF,20%,16V,GP,TP,10x10.	1	SA		UR117	2203-005148	C-CER,CHIP;100nF,10%,16V,X7R,TP,160	1	SA	
UC35	2402-001070	C-AL,SMD;470uF,20%,16V,GP,TP,10x10.	1	SA		UR119	2007-000074	R-CHIP;100ohm,5%,1/10W,TP,1608	1	SA	
UC36	2203-005249	C-CER,CHIP;100nF,10%,50V,X7R,1608	1	SA		UR12	2007-000097	R-CHIP;47Kohm,5%,1/10W,TP,1608	1	SA	
UC37	2402-001096	C-AL,SMD;220uF,20%,16V,GP,TP,6.6x6.6	1	SA		UR120	2007-000074	R-CHIP;100ohm,5%,1/10W,TP,1608	1	SA	
UC38	2203-005249	C-CER,CHIP;100nF,10%,50V,X7R,1608	1	SA		UR121	2007-000074	R-CHIP;100ohm,5%,1/10W,TP,1608	1	SA	
UC39	2402-001042	C-AL,SMD;100uF,20%,16V,GP,TP,6.6x6.	1	SA		UR122	2007-000090	R-CHIP;10Kohm,5%,1/10W,TP,1608	1	SA	
UC4	2402-000130	C-AL,SMD;2.2uF,20%,50V,GP,TP,4.3x4.	1	SA		UR124	2007-000074	R-CHIP;100ohm,5%,1/10W,TP,1608	1	SA	
UC40	2203-005249	C-CER,CHIP;100nF,10%,50V,X7R,1608	1	SA		UR125	2007-000090	R-CHIP;10Kohm,5%,1/10W,TP,1608	1	SA	
UC41	2402-001042	C-AL,SMD;100uF,20%,16V,GP,TP,6.6x6.	1	SA		UR126	2007-000107	R-CHIP;470Kohm,5%,1/10W,TP,1608	1	SA	
UC42	2203-005249	C-CER,CHIP;100nF,10%,50V,X7R,1608	1	SA		UR129	2007-000090	R-CHIP;10Kohm,5%,1/10W,TP,1608	1	SA	
UC43	2402-001070	C-AL,SMD;470uF,20%,16V,GP,TP,10x10.	1	SA		UR13	2007-000078	R-CHIP;1Kohm,5%,1/10W,TP,1608	1	SA	
UC5	2402-000173	C-AL,SMD;4.7uF,20%,35V,GP,TP,4.3x4.	1	SA		UR130	2007-000074	R-CHIP;100ohm,5%,1/10W,TP,1608	1	SA	
UC50	2203-005249	C-CER,CHIP;100nF,10%,50V,X7R,1608	1	SA		UR132	2007-000074	R-CHIP;100ohm,5%,1/10W,TP,1608	1	SA	
UC51	2203-005148	C-CER,CHIP;100nF,10%,16V,X7R,TP,160	1	SA		UR133	2007-000121	R-CHIP;820ohm,5%,1/10W,TP,1608	1	SA	
UC53	2402-000167	C-AL,SMD;100uF,20%,10V,-,-,6.6x6.6x	1	SA		UR134	2007-000090	R-CHIP;10Kohm,5%,1/10W,TP,1608	1	SA	
UC6	2203-001607	C-CER,CHIP;0.22nF,5%,50V,NP0,1608	1	SA		UR135	2007-000090	R-CHIP;10Kohm,5%,1/10W,TP,1608	1	SA	
UC7	2203-000257	C-CER,CHIP;10nF,10%,50V,X7R,TP,1608	1	SA		UR136	2007-000074	R-CHIP;100ohm,5%,1/10W,TP,1608	1	SA	
UC8	2402-000187	C-AL,SMD;0.22uF,20%,50V,-,TP,4X5.5M	1	SA		UR138	2007-000070	R-CHIP;0ohm,5%,1/10W,TP,1608	1	SA	
UC9	2203-005148	C-CER,CHIP;100nF,10%,16V,X7R,TP,160	1	SA		UR139	2007-000074	R-CHIP;100ohm,5%,1/10W,TP,1608	1	SA	
UD10	0401-001090	DIODE-SWITCHING;1SS355,80V,100MA,SO	1	SA		UR14	2007-000078	R-CHIP;1Kohm,5%,1/10W,TP,1608	1	SA	
UD11	0401-001090	DIODE-SWITCHING;1SS355,80V,100MA,SO	1	SA		UR140	2007-000084	R-CHIP;4.7Kohm,5%,1/10W,TP,1608	1	SA	
UD12	0401-001090	DIODE-SWITCHING;1SS355,80V,100MA,SO	1	SA		UR141	2007-000090	R-CHIP;10Kohm,5%,1/10W,TP,1608	1	SA	
UD13	0401-001090	DIODE-SWITCHING;1SS355,80V,100MA,SO	1	SA		UR142	2007-000090	R-CHIP;10Kohm,5%,1/10W,TP,1608	1	SA	
UD14	0401-001090	DIODE-SWITCHING;1SS355,80V,100MA,SO	1	SA		UR15	2007-000081	R-CHIP;2.7Kohm,5%,1/10W,TP,1608	1	SA	
UD16	0401-001090	DIODE-SWITCHING;1SS355,80V,100MA,SO	1	SA		UR16	2007-000074	R-CHIP;100ohm,5%,1/10W,TP,1608	1	SA	
UD17	0401-001090	DIODE-SWITCHING;1SS355,80V,100MA,SO	1	SA		UR17	2007-000074	R-CHIP;100ohm,5%,1/10W,TP,1608	1	SA	
UD18	0406-001128	DIODE-TVS;MLVS-0603-E08,50V,-	1	SA		UR18	2007-000074	R-CHIP;100ohm,5%,1/10W,TP,1608	1	SA	
						UR19	2007-000074	R-CHIP;100ohm,5%,1/10W,TP,1608	1	SA	

Loc. No.	Part No.	Description;Specification	Q'ty	SNA	Remark	Loc. No.	Part No.	Description;Specification	Q'ty	SNA	Remark
R2	2007-000077	R-CHIP;470ohm,5%,1/10W,TP,1608	1		SA	GB01	3002-001134	BUZZER-PIEZO;85DB,12V,-,2K-4KHZ,BK	1		SA
R3	2007-000120	R-CHIP;680ohm,5%,1/10W,TP,1608	1		SA	GC01	2203-005249	C-CER,CHIP;100nF,10%,50V,X7R,1608	1		SA
R4	2007-000090	R-CHIP;10Kohm,5%,1/10W,TP,1608	1		SA	GC02	2401-000804	C-AL;220uF,20%,16V,GP,TP,8x9mm,5	1		SA
R5	2007-001026	R-CHIP;560Kohm,5%,1/10W,TP,1608	1		SA	GC03	2203-005249	C-CER,CHIP;100nF,10%,50V,X7R,1608	1		SA
R6	2007-000074	R-CHIP;100ohm,5%,1/10W,TP,1608	1		SA	GC06	2203-000236	C-CER,CHIP;0.1nF,5%,50V,C0G,1608	1		SA
R7	2007-000074	R-CHIP;100ohm,5%,1/10W,TP,1608	1		SA	GC07	2401-000487	C-AL;10uF,20%,50V,GP,TP,6.3x5mm,5	1		SA
R8	2007-000074	R-CHIP;100ohm,5%,1/10W,TP,1608	1		SA	GC08	2401-000487	C-AL;10uF,20%,50V,GP,TP,6.3x5mm,5	1		SA
R9	2007-000305	R-CHIP;10Mohm,5%,1/10W,TP,1608	1		SA	GC09	2203-005249	C-CER,CHIP;100nF,10%,50V,X7R,1608	1		SA
X-TAL1	2801-003856	CRYSTAL-SMD;0.032768MHz,20ppm,28-AC	1		SA	GC10	2203-005249	C-CER,CHIP;100nF,10%,50V,X7R,1608	1		SA
	AH99-10014D	ASSY AUTO INSERT-PCB-BLUETOOTH;-;HT	1		SNA	GC11	2401-000487	C-AL;10uF,20%,50V,GP,TP,6.3x5mm,5	1		SA
	AH92-02904B ASSY PCB-AMP;HT-X710 AMP PCB-XEF,EX		1		SA	GC25	2203-005249	C-CER,CHIP;100nF,10%,50V,X7R,1608	1		SA
AC1	2203-000783	C-CER,CHIP;0.33nF,5%,50V,C0G,1608	1		SA	GC26	2401-000804	C-AL;220uF,20%,16V,GP,TP,8x9mm,5	1		SA
AC4	2203-000783	C-CER,CHIP;0.33nF,5%,50V,C0G,1608	1		SA	GCN1	3708-001806	CONNECTOR-FPC/FFC/PIC;24P,1MM,SMD-A	1		SA
AC5	2401-000414	C-AL;10uF,20%,16V,GP,TP,4x7,5	1		SA	GCN2	3708-002061	CONNECTOR-FPC/FFC/PIC;7P,1mm,SMD-A,	1		SA
AC6	2401-000414	C-AL;10uF,20%,16V,GP,TP,4x7,5	1		SA	GCN4	3711-000471	HEADER-BOARD TO CABLE;3WALL,4P,1R,2	1		SA
AC7	2401-000909	C-AL;22uF,20%,16V,GP,TP,5x5,2,5	1		SA	GD1	0403-001284	DIODE-ZENER;RLZ3.3A,3.16-3.38V,500m	1		SA
AC8	2401-000909	C-AL;22uF,20%,16V,GP,TP,5x5,2,5	1		SA	GR03	2007-000074	R-CHIP;100ohm,5%,1/10W,TP,1608	1		SA
AIC6	1201-002673	IC-AUDIO AMP;TAS5352DDV,HTSOP,44P,	1		SA	GR04	2007-000074	R-CHIP;100ohm,5%,1/10W,TP,1608	1		SA
AIC7	1201-002673	IC-AUDIO AMP;TAS5352DDV,HTSOP,44P,	1		SA	GR05	2007-000074	R-CHIP;100ohm,5%,1/10W,TP,1608	1		SA
AIC8	1201-000163	IC-OP AMP;4560,SOP,8P,173MIL,DUAL,1	1		SA	GR06	2007-000074	R-CHIP;100ohm,5%,1/10W,TP,1608	1		SA
AJ4	3711-000820	HEADER-BOARD TO CABLE;BOX,2P,1R,2,5	1		SNA	GR07	2007-000103	R-CHIP;120Kohm,5%,1/10W,TP,1608	1		SA
AL1	3301-001495	BEAD-SMD;120ohm,2012,2500mA,TP,115o	1		SA	GR08	2007-000309	R-CHIP;10ohm,5%,1/10W,TP,1608	1		SA
AL12	AH27-00064A	COIL FILTER;MAX-DT99,10UH,45mOHM,2,	1		SA	GR09	2007-000309	R-CHIP;10ohm,5%,1/10W,TP,1608	1		SA
AL13	AH27-00064A	COIL FILTER;MAX-DT99,10UH,45mOHM,2,	1		SA	GR14	2007-000090	R-CHIP;10Kohm,5%,1/10W,TP,1608	1		SA
AL14	AH27-00064A	COIL FILTER;MAX-DT99,10UH,45mOHM,2,	1		SA	HEAT_SINK_AMP	AH62-00188A	HEAT SINK-AMP;HT-X715,AL,T5.0,W38,L	1		SA
AL15	AH27-00064A	COIL FILTER;MAX-DT99,10UH,45mOHM,2,	1		SA	HEAT_SINK_IC	AH62-00195A	HEAT SINK-IC;HT-X715,AL,-,W12,L70.8	1		SA
AL16	2702-001130	INDUCTOR-RADIAL;10uH,10%,19x15.8mm	1		SA	HOLDER_IC	AH61-02581A	HOLDER-IC;HT-X715,PBT,T0.9,W11,L92,	1		SA
AL17	2702-001130	INDUCTOR-RADIAL;10uH,10%,19x15.8mm	1		SA	HPC7	2203-000236	C-CER,CHIP;0.1nF,5%,50V,C0G,1608	1		SA
AL3	3301-001495	BEAD-SMD;120ohm,2012,2500mA,TP,115o	1		SA	HPC8	2203-000236	C-CER,CHIP;0.1nF,5%,50V,C0G,1608	1		SA
AL6	3301-001069	BEAD-SMD;120ohm,1.6x0.8x0.8mm,200mA	1		SA	HPC9	2203-000257	C-CER,CHIP;10nF,10%,50V,X7R,TP,1608	1		SA
AQ1	0501-000422	TR-SMALL SIGNAL;KTA1273,PNP,-30V,-3	1		SA	HPIC1	1201-000163	IC-OP AMP;4560,SOP,8P,173MIL,DUAL,1	1		SA
AQ2	0504-000128	TR-DIGITAL;-;NPN,200MW,22K/22K,SOT-	1		SA	HPJ1	3722-000143	JACK-PHONE;1P(VER),AG,BLK,ANGLE	1		SA
AQ5	0501-000422	TR-SMALL SIGNAL;KTA1273,PNP,-30V,-3	1		SA	HPJ2	3722-000143	JACK-PHONE;1P(VER),AG,BLK,ANGLE	1		SA
AQ6	0501-000341	TR-SMALL SIGNAL;KSC1623-L,NPN,200mW	1		SA	HPL10	2703-000404	INDUCTOR-SMD;220uH,10%,3225	1		SA
AR10	2007-000102	R-CHIP;100Kohm,5%,1/10W,TP,1608	1		SA	HPL11	2703-000404	INDUCTOR-SMD;220uH,10%,3225	1		SA
AR11	2007-000102	R-CHIP;100Kohm,5%,1/10W,TP,1608	1		SA	HPR3	2007-000070	R-CHIP;0ohm,5%,1/10W,TP,1608	1		SA
AR12	2007-000102	R-CHIP;100Kohm,5%,1/10W,TP,1608	1		SA	HPR4	2007-000070	R-CHIP;0ohm,5%,1/10W,TP,1608	1		SA
AR5	2007-000729	R-CHIP;300ohm,5%,1/10W,TP,1608	1		SA	IPB1	3301-001495	BEAD-SMD;120ohm,2012,2500mA,TP,115o	1		SA
AR6	2007-000729	R-CHIP;300ohm,5%,1/10W,TP,1608	1		SA	IPB8	3301-001495	BEAD-SMD;120ohm,2012,2500mA,TP,115o	1		SA
AR7	2007-000102	R-CHIP;100Kohm,5%,1/10W,TP,1608	1		SA	JCN11	3708-001761	CONNECTOR-FPC/FFC/PIC;28P,1MM,STRAI	1		SA
AREG1	AH14-10003E	IC;KIA7812PI,,TO-220	1		SA	ML51	3301-001495	BEAD-SMD;120ohm,2012,2500mA,TP,115o	1		SA
AREG2	AH14-10003E	IC;KIA7812PI,,TO-220	1		SA	OPTC1	2203-000626	C-CER,CHIP;0.022nF,5%,50V,C0G,1608	1		SA
ASC1	2203-005148	C-CER,CHIP;100nF,10%,16V,X7R,TP,160	1		SA	OPTC2	2401-000042	C-AL;100uF,20%,16V,GP,TP,6.3x7,5	1		SA
ASD1	0401-001090	DIODE-SWITCHING;1SS355,80V,100MA,SO	1		SA	OPTC3	2203-005148	C-CER,CHIP;100nF,10%,16V,X7R,TP,160	1		SA
ASD2	0401-001090	DIODE-SWITCHING;1SS355,80V,100MA,SO	1		SA	OPTC4	2203-000257	C-CER,CHIP;10nF,10%,50V,X7R,TP,1608	1		SA
AVJ1	3722-002574	JACK-PIN;6P,TIN,RD/BU/GN/RD/WT/YL,S	1		SA	OPTJ1	0603-001164	OPTIC TRANSMITTER;5V,16Mb/s,-,-,650	1		SA
BRACKET_EMI	AH61-02641A	BRACKET-EMI;HT-X715,SPTE,T0.3,W18.8	1		SA	OPTL1	3301-001495	BEAD-SMD;120ohm,2012,2500mA,TP,115o	1		SA
BRKE	AH61-02125A	BRACKET-X-READY;HT-Q20,SPTE 0.5T,-,	1		SA	OPTR1	2007-000076	R-CHIP;330ohm,5%,1/10W,TP,1608	1		SA
COVER_HEAT_SINK	AH63-01718A	COVER-HEAT SINK;HT-X715,PBT,T2,W98,	1		SA	PC1	2203-005249	C-CER,CHIP;100nF,10%,50V,X7R,1608	1		SA
ESD32	0406-001128	DIODE-TVS;MLVS-0603-E08,50V,-,-	1		SA	PC10	2203-000236	C-CER,CHIP;0.1nF,5%,50V,C0G,1608	1		SA
ESD33	0406-001128	DIODE-TVS;MLVS-0603-E08,50V,-,-	1		SA	PC105	2203-006348	C-CER,CHIP;1000nF,10%,25V,X5R,1608	1		SA
ESD34	0406-001128	DIODE-TVS;MLVS-0603-E08,50V,-,-	1		SA	PC106	2203-005249	C-CER,CHIP;100nF,10%,50V,X7R,1608	1		SA
ESD35	0406-001128	DIODE-TVS;MLVS-0603-E08,50V,-,-	1		SA	PC107	2203-005249	C-CER,CHIP;100nF,10%,50V,X7R,1608	1		SA
FB1	3301-001069	BEAD-SMD;120ohm,1.6x0.8x0.8mm,200mA	1		SA	PC108	2203-006348	C-CER,CHIP;1000nF,10%,25V,X5R,1608	1		SA
FB2	3301-001069	BEAD-SMD;120ohm,1.6x0.8x0.8mm,200mA	1		SA	PC109	2203-005249	C-CER,CHIP;100nF,10%,50V,X7R,1608	1		SA
FB3	3301-001069	BEAD-SMD;120ohm,1.6x0.8x0.8mm,200mA	1		SA	PC11	2203-000236	C-CER,CHIP;0.1nF,5%,50V,C0G,1608	1		SA
FCN11	3708-001837	CONNECTOR-FPC/FFC/PIC;15P,1mm,SMD-S	1		SA	PC110	2203-005249	C-CER,CHIP;100nF,10%,50V,X7R,1608	1		SA
						PC111	2203-005249	C-CER,CHIP;100nF,10%,50V,X7R,1608	1		SA

Exploded View & Part List

Loc. No.	Part No.	Description;Specification	Q'ty	SNA	Remark	Loc. No.	Part No.	Description;Specification	Q'ty	SNA	Remark
PC112	2203-006348	C-CER,CHIP;1000nF,10%,25V,X5R,1608	1	SA		PC22	2401-000243	C-AL;100uF,20%,10V,GP,TP,6.3x5,5	1	SA	
PC113	2203-006348	C-CER,CHIP;1000nF,10%,25V,X5R,1608	1	SA		PC23	2203-005249	C-CER,CHIP;100nF,10%,50V,X7R,1608	1	SA	
PC114	2203-005249	C-CER,CHIP;100nF,10%,50V,X7R,1608	1	SA		PC24	2203-000236	C-CER,CHIP;0.1nF,5%,50V,C0G,1608	1	SA	
PC115	2203-005249	C-CER,CHIP;100nF,10%,50V,X7R,1608	1	SA		PC25	2203-000998	C-CER,CHIP;0.047nF,5%,50V,C0G,1608	1	SA	
PC116	2203-005249	C-CER,CHIP;100nF,10%,50V,X7R,1608	1	SA		PC27	2203-005249	C-CER,CHIP;100nF,10%,50V,X7R,1608	1	SA	
PC117	2203-000783	C-CER,CHIP;0.33nF,5%,50V,C0G,1608	1	SA		PC28	2203-000236	C-CER,CHIP;0.1nF,5%,50V,C0G,1608	1	SA	
PC118	2203-000783	C-CER,CHIP;0.33nF,5%,50V,C0G,1608	1	SA		PC29	2203-000236	C-CER,CHIP;0.1nF,5%,50V,C0G,1608	1	SA	
PC119	2203-000783	C-CER,CHIP;0.33nF,5%,50V,C0G,1608	1	SA		PC3	2203-005249	C-CER,CHIP;100nF,10%,50V,X7R,1608	1	SA	
PC12	2401-000042	C-AL;100uF,20%,16V,GP,TP,6.3x7,5	1	SA		PC30	2203-005249	C-CER,CHIP;100nF,10%,50V,X7R,1608	1	SA	
PC120	2203-000783	C-CER,CHIP;0.33nF,5%,50V,C0G,1608	1	SA		PC31	2203-005249	C-CER,CHIP;100nF,10%,50V,X7R,1608	1	SA	
PC124	2203-000257	C-CER,CHIP;10nF,10%,50V,X7R,TP,1608	1	SA		PC32	2401-000414	C-AL;10uF,20%,16V,GP,TP,4x7,5	1	SA	
PC125	2203-000783	C-CER,CHIP;0.33nF,5%,50V,C0G,1608	1	SA		PC35	2203-005249	C-CER,CHIP;100nF,10%,50V,X7R,1608	1	SA	
PC126	2203-000783	C-CER,CHIP;0.33nF,5%,50V,C0G,1608	1	SA		PC36	2203-005249	C-CER,CHIP;100nF,10%,50V,X7R,1608	1	SA	
PC127	2203-000783	C-CER,CHIP;0.33nF,5%,50V,C0G,1608	1	SA		PC37	2203-005249	C-CER,CHIP;100nF,10%,50V,X7R,1608	1	SA	
PC128	2203-000783	C-CER,CHIP;0.33nF,5%,50V,C0G,1608	1	SA		PC38	2203-000236	C-CER,CHIP;0.1nF,5%,50V,C0G,1608	1	SA	
PC129	2203-000257	C-CER,CHIP;10nF,10%,50V,X7R,TP,1608	1	SA		PC39	2203-000257	C-CER,CHIP;10nF,10%,50V,X7R,TP,1608	1	SA	
PC13	2401-000042	C-AL;100uF,20%,16V,GP,TP,6.3x7,5	1	SA		PC4	2203-005249	C-CER,CHIP;100nF,10%,50V,X7R,1608	1	SA	
PC132	2203-000257	C-CER,CHIP;10nF,10%,50V,X7R,TP,1608	1	SA		PC40	2203-005249	C-CER,CHIP;100nF,10%,50V,X7R,1608	1	SA	
PC135	2203-005249	C-CER,CHIP;100nF,10%,50V,X7R,1608	1	SA		PC41	2401-000414	C-AL;10uF,20%,16V,GP,TP,4x7,5	1	SA	
PC137	2203-005249	C-CER,CHIP;100nF,10%,50V,X7R,1608	1	SA		PC42	2401-001508	C-AL;47uF,20%,16V,GP,TP,6.3x5,5	1	SA	
PC139	2203-005249	C-CER,CHIP;100nF,10%,50V,X7R,1608	1	SA		PC43	2401-001479	C-AL;470uF,20%,10V,GP,TP,6.3*11mm,5	1	SA	
PC14	2203-000998	C-CER,CHIP;0.047nF,5%,50V,C0G,1608	1	SA		PC44	2203-005249	C-CER,CHIP;100nF,10%,50V,X7R,1608	1	SA	
PC143	2401-004106	C-AL;680uF,20%,50V,-,BK,12.5 x 35,5	1	SA		PC45	2203-000236	C-CER,CHIP;0.1nF,5%,50V,C0G,1608	1	SA	
PC144	2401-004106	C-AL;680uF,20%,50V,-,BK,12.5 x 35,5	1	SA		PC46	2203-000626	C-CER,CHIP;0.022nF,5%,50V,C0G,1608	1	SA	
PC145	2401-004106	C-AL;680uF,20%,50V,-,BK,12.5 x 35,5	1	SA		PC47	2203-000626	C-CER,CHIP;0.022nF,5%,50V,C0G,1608	1	SA	
PC149	2305-000407	C-FILM,LEAD-PEF;470nF,5%,100V,TP,10	1	SA		PC48	2203-005249	C-CER,CHIP;100nF,10%,50V,X7R,1608	1	SA	
PC15	2203-000998	C-CER,CHIP;0.047nF,5%,50V,C0G,1608	1	SA		PC49	2203-005249	C-CER,CHIP;100nF,10%,50V,X7R,1608	1	SA	
PC150	2305-000407	C-FILM,LEAD-PEF;470nF,5%,100V,TP,10	1	SA		PC5	2203-005249	C-CER,CHIP;100nF,10%,50V,X7R,1608	1	SA	
PC151	2305-000407	C-FILM,LEAD-PEF;470nF,5%,100V,TP,10	1	SA		PC50	2203-005249	C-CER,CHIP;100nF,10%,50V,X7R,1608	1	SA	
PC157	2203-005249	C-CER,CHIP;100nF,10%,50V,X7R,1608	1	SA		PC51	2401-001508	C-AL;47uF,20%,16V,GP,TP,6.3x5,5	1	SA	
PC158	2203-005249	C-CER,CHIP;100nF,10%,50V,X7R,1608	1	SA		PC52	2203-005249	C-CER,CHIP;100nF,10%,50V,X7R,1608	1	SA	
PC159	2203-005249	C-CER,CHIP;100nF,10%,50V,X7R,1608	1	SA		PC53	2203-005249	C-CER,CHIP;100nF,10%,50V,X7R,1608	1	SA	
PC16	2401-002042	C-AL;220uF,20%,10V,GP,TP,6.3x11,5	1	SA		PC54	2203-005249	C-CER,CHIP;100nF,10%,50V,X7R,1608	1	SA	
PC160	2203-005249	C-CER,CHIP;100nF,10%,50V,X7R,1608	1	SA		PC55	2401-000303	C-AL;100uF,20%,25V,WT,TP,6.3x11mm,5	1	SA	
PC163	2203-005249	C-CER,CHIP;100nF,10%,50V,X7R,1608	1	SA		PC56	2203-005249	C-CER,CHIP;100nF,10%,50V,X7R,1608	1	SA	
PC164	2203-005249	C-CER,CHIP;100nF,10%,50V,X7R,1608	1	SA		PC57	2203-005249	C-CER,CHIP;100nF,10%,50V,X7R,1608	1	SA	
PC169	2203-000257	C-CER,CHIP;10nF,10%,50V,X7R,TP,1608	1	SA		PC58	2203-005249	C-CER,CHIP;100nF,10%,50V,X7R,1608	1	SA	
PC17	2203-000998	C-CER,CHIP;0.047nF,5%,50V,C0G,1608	1	SA		PC59	2401-000651	C-AL;2.2uF,20%,50V,GP,TP,4x7,5	1	SA	
PC170	2203-000257	C-CER,CHIP;10nF,10%,50V,X7R,TP,1608	1	SA		PC60	2401-000651	C-AL;2.2uF,20%,50V,GP,TP,4x7,5	1	SA	
PC171	2203-000257	C-CER,CHIP;10nF,10%,50V,X7R,TP,1608	1	SA		PC61	2401-001479	C-AL;470uF,20%,10V,GP,TP,6.3*11mm,5	1	SA	
PC172	2203-000257	C-CER,CHIP;10nF,10%,50V,X7R,TP,1608	1	SA		PC62	2203-005249	C-CER,CHIP;100nF,10%,50V,X7R,1608	1	SA	
PC175	2203-000257	C-CER,CHIP;10nF,10%,50V,X7R,TP,1608	1	SA		PC63	2401-001479	C-AL;470uF,20%,10V,GP,TP,6.3*11mm,5	1	SA	
PC176	2203-000257	C-CER,CHIP;10nF,10%,50V,X7R,TP,1608	1	SA		PC64	2203-005249	C-CER,CHIP;100nF,10%,50V,X7R,1608	1	SA	
PC18	2401-002042	C-AL;220uF,20%,10V,GP,TP,6.3x11,5	1	SA		PC65	2203-005249	C-CER,CHIP;100nF,10%,50V,X7R,1608	1	SA	
PC181	2203-005249	C-CER,CHIP;100nF,10%,50V,X7R,1608	1	SA		PC66	2203-005249	C-CER,CHIP;100nF,10%,50V,X7R,1608	1	SA	
PC182	2203-005249	C-CER,CHIP;100nF,10%,50V,X7R,1608	1	SA		PC67	2203-005249	C-CER,CHIP;100nF,10%,50V,X7R,1608	1	SA	
PC183	2203-005249	C-CER,CHIP;100nF,10%,50V,X7R,1608	1	SA		PC69	2203-006348	C-CER,CHIP;1000nF,10%,25V,X5R,1608	1	SA	
PC184	2203-005249	C-CER,CHIP;100nF,10%,50V,X7R,1608	1	SA		PC7	2203-005249	C-CER,CHIP;100nF,10%,50V,X7R,1608	1	SA	
PC187	2203-005249	C-CER,CHIP;100nF,10%,50V,X7R,1608	1	SA		PC70	2203-006348	C-CER,CHIP;1000nF,10%,25V,X5R,1608	1	SA	
PC188	2203-005249	C-CER,CHIP;100nF,10%,50V,X7R,1608	1	SA		PC71	2203-005249	C-CER,CHIP;100nF,10%,50V,X7R,1608	1	SA	
PC189	2203-005249	C-CER,CHIP;100nF,10%,50V,X7R,1608	1	SA		PC72	2203-000236	C-CER,CHIP;0.1nF,5%,50V,C0G,1608	1	SA	
PC19	2401-000414	C-AL;10uF,20%,16V,GP,TP,4x7,5	1	SA		PC76	2203-006348	C-CER,CHIP;1000nF,10%,25V,X5R,1608	1	SA	
PC190	2401-000414	C-AL;10uF,20%,16V,GP,TP,4x7,5	1	SA		PC77	2203-005249	C-CER,CHIP;100nF,10%,50V,X7R,1608	1	SA	
PC191	2203-005249	C-CER,CHIP;100nF,10%,50V,X7R,1608	1	SA		PC78	2203-000236	C-CER,CHIP;0.1nF,5%,50V,C0G,1608	1	SA	
PC192	2401-000042	C-AL;100uF,20%,16V,GP,TP,6.3x7,5	1	SA		PC79	2203-006348	C-CER,CHIP;1000nF,10%,25V,X5R,1608	1	SA	
PC193	2203-005249	C-CER,CHIP;100nF,10%,50V,X7R,1608	1	SA		PC8	2401-001492	C-AL;47uF,20%,16V,GP,-,5x7mm,2,5	1	SA	
PC194	2401-001479	C-AL;470uF,20%,10V,GP,TP,6.3*11mm,5	1	SA		PC82	2401-002300	C-AL;47##F,20%,50V,GP,TP,6.3x11,5mm	1	SA	
PC2	2203-005249	C-CER,CHIP;100nF,10%,50V,X7R,1608	1	SA		PC84	2203-005249	C-CER,CHIP;100nF,10%,50V,X7R,1608	1	SA	
PC20	2203-000236	C-CER,CHIP;0.1nF,5%,50V,C0G,1608	1	SA							

Loc. No.	Part No.	Description;Specification	Q'ty	SNA	Remark	Loc. No.	Part No.	Description;Specification	Q'ty	SNA	Remark
PC85	2401-002300	C-AL;47#F,20%,50V,GP,TP,6.3x11,5mm	1	SA		PR172	2007-000090	R-CHIP;10Kohm,5%,1/10W,TP,1608	1	SA	
PC86	2203-005249	C-CER,CHIP;100nF,10%,50V,X7R,1608	1	SA		PR173	2007-000070	R-CHIP;0ohm,5%,1/10W,TP,1608	1	SA	
PC9	2401-001492	C-AL;47uF,20%,16V,GP,-.5x7mm,2.5	1	SA		PR174	2007-000090	R-CHIP;10Kohm,5%,1/10W,TP,1608	1	SA	
PC91	2203-001634	C-CER,CHIP;33nF,10%,50V,X7R,1608	1	SA		PR175	2007-000070	R-CHIP;0ohm,5%,1/10W,TP,1608	1	SA	
PC92	2203-001634	C-CER,CHIP;33nF,10%,50V,X7R,1608	1	SA		PR18	2007-000097	R-CHIP;47Kohm,5%,1/10W,TP,1608	1	SA	
PC93	2203-001634	C-CER,CHIP;33nF,10%,50V,X7R,1608	1	SA		PR19	2007-000052	R-CHIP;10Kohm,1%,1/10W,TP,1608	1	SA	
PC94	2203-001634	C-CER,CHIP;33nF,10%,50V,X7R,1608	1	SA		PR2	2007-000253	R-CHIP;1.5ohm,5%,1/4W,TP,3216	1	SA	
PC95	2203-001634	C-CER,CHIP;33nF,10%,50V,X7R,1608	1	SA		PR20	2007-000097	R-CHIP;47Kohm,5%,1/10W,TP,1608	1	SA	
PC96	2203-001634	C-CER,CHIP;33nF,10%,50V,X7R,1608	1	SA		PR22	2007-000097	R-CHIP;47Kohm,5%,1/10W,TP,1608	1	SA	
PC97	2203-001634	C-CER,CHIP;33nF,10%,50V,X7R,1608	1	SA		PR23	2007-000072	R-CHIP;47ohm,5%,1/10W,TP,1608	1	SA	
PC98	2203-001634	C-CER,CHIP;33nF,10%,50V,X7R,1608	1	SA		PR24	2007-000072	R-CHIP;47ohm,5%,1/10W,TP,1608	1	SA	
PCB_AMPAH41-01126A	PCB-AMP;HT-X715 AMP PCB,EPOXY,2,0,1	1	SNA			PR25	2007-000072	R-CHIP;47ohm,5%,1/10W,TP,1608	1	SA	
PCON1	3711-003107	HEADER-BOARD TO CABLE;BOX,3P,1R,2.5	1	SA		PR26	2007-000072	R-CHIP;47ohm,5%,1/10W,TP,1608	1	SA	
PCON2	AH39-01021A	WIRE HARNESS-AMP PVDD;HT-x715,3P-3B	1	SA		PR27	2007-000072	R-CHIP;47ohm,5%,1/10W,TP,1608	1	SA	
PCON4	3708-001058	CONNECTOR-FPC/FFC/PIC;30P,1MM,STRAI	1	SA		PR29	2007-000052	R-CHIP;10Kohm,1%,1/10W,TP,1608	1	SA	
PD1	0401-001099	DIODE-SWITCHING;1N4148WS,75V,150mA,	1	SA		PR3	2007-000309	R-CHIP;10ohm,5%,1/10W,TP,1608	1	SA	
PD2	0401-001090	DIODE-SWITCHING;1SS355,80V,100MA,SO	1	SA		PR30	2007-000052	R-CHIP;10Kohm,1%,1/10W,TP,1608	1	SA	
PD3	0401-001090	DIODE-SWITCHING;1SS355,80V,100MA,SO	1	SA		PR31	2007-000094	R-CHIP;22Kohm,5%,1/10W,TP,1608	1	SA	
PR1	2007-000097	R-CHIP;47Kohm,5%,1/10W,TP,1608	1	SA		PR32	2007-000052	R-CHIP;10Kohm,1%,1/10W,TP,1608	1	SA	
PR10	2007-000052	R-CHIP;10Kohm,1%,1/10W,TP,1608	1	SA		PR37	2007-000052	R-CHIP;10Kohm,1%,1/10W,TP,1608	1	SA	
PR101	2007-000070	R-CHIP;0ohm,5%,1/10W,TP,1608	1	SA		PR38	2007-000097	R-CHIP;47Kohm,5%,1/10W,TP,1608	1	SA	
PR102	2007-000070	R-CHIP;0ohm,5%,1/10W,TP,1608	1	SA		PR4	2007-000309	R-CHIP;10ohm,5%,1/10W,TP,1608	1	SA	
PR106	2007-000070	R-CHIP;0ohm,5%,1/10W,TP,1608	1	SA		PR40	2007-000094	R-CHIP;22Kohm,5%,1/10W,TP,1608	1	SA	
PR107	2007-000070	R-CHIP;0ohm,5%,1/10W,TP,1608	1	SA		PR42	2007-000072	R-CHIP;47ohm,5%,1/10W,TP,1608	1	SA	
PR109	2007-000312	R-CHIP;10ohm,5%,1/4W,TP,3216	1	SA		PR43	2007-002425	R-CHIP;1ohm,5%,1/10W,TP,1608	1	SA	
PR11	2007-000113	R-CHIP;33ohm,5%,1/10W,TP,1608	1	SA		PR44	2007-000094	R-CHIP;22Kohm,5%,1/10W,TP,1608	1	SA	
PR110	2007-000090	R-CHIP;10Kohm,5%,1/10W,TP,1608	1	SA		PR45	2007-000097	R-CHIP;47Kohm,5%,1/10W,TP,1608	1	SA	
PR112	2007-000312	R-CHIP;10ohm,5%,1/4W,TP,3216	1	SA		PR46	2007-000052	R-CHIP;10Kohm,1%,1/10W,TP,1608	1	SA	
PR113	2007-000034	R-CHIP;1ohm,5%,1/4W,TP,3216	1	SA		PR47	2001-000415	R-CARBON;18ohm,5%,1/4W,AA,TP,2.4x6.	1	SA	
PR114	2007-000034	R-CHIP;1ohm,5%,1/4W,TP,3216	1	SA		PR48	2007-000094	R-CHIP;22Kohm,5%,1/10W,TP,1608	1	SA	
PR116	2007-000312	R-CHIP;10ohm,5%,1/4W,TP,3216	1	SA		PR49	2001-001165	R-CARBON(S);56ohm,5%,1/2W,AA,TP,2.4	1	SA	
PR117	2007-000312	R-CHIP;10ohm,5%,1/4W,TP,3216	1	SA		PR50	2003-000674	R-METAL OXIDE(S);39ohm,5%,1W,AA,TP,	1	SA	
PR119	2007-000312	R-CHIP;10ohm,5%,1/4W,TP,3216	1	SA		PR51	2007-000116	R-CHIP;120ohm,5%,1/10W,TP,1608	1	SA	
PR12	2007-000052	R-CHIP;10Kohm,1%,1/10W,TP,1608	1	SA		PR52	2007-000072	R-CHIP;47ohm,5%,1/10W,TP,1608	1	SA	
PR120	2007-000312	R-CHIP;10ohm,5%,1/4W,TP,3216	1	SA		PR53	2007-000109	R-CHIP;1Mohm,5%,1/10W,TP,1608	1	SA	
PR122	2007-000312	R-CHIP;10ohm,5%,1/4W,TP,3216	1	SA		PR54	2007-000084	R-CHIP;4.7Kohm,5%,1/10W,TP,1608	1	SA	
PR123	2007-000312	R-CHIP;10ohm,5%,1/4W,TP,3216	1	SA		PR55	2007-000097	R-CHIP;47Kohm,5%,1/10W,TP,1608	1	SA	
PR125	2007-000695	R-CHIP;3.3ohm,5%,1/10W,TP,1608	1	SA		PR56	2007-000090	R-CHIP;10Kohm,5%,1/10W,TP,1608	1	SA	
PR126	2007-000695	R-CHIP;3.3ohm,5%,1/10W,TP,1608	1	SA		PR57	2007-000113	R-CHIP;33ohm,5%,1/10W,TP,1608	1	SA	
PR128	2007-000695	R-CHIP;3.3ohm,5%,1/10W,TP,1608	1	SA		PR58	2007-000082	R-CHIP;3.3Kohm,5%,1/10W,TP,1608	1	SA	
PR130	2007-000463	R-CHIP;18ohm,5%,1/10W,TP,1608	1	SA		PR59	2007-000134	R-CHIP;33Kohm,5%,1/10W,TP,1608	1	SA	
PR131	2007-000463	R-CHIP;10ohm,5%,1/10W,TP,1608	1	SA		PR60	2007-000090	R-CHIP;10Kohm,5%,1/10W,TP,1608	1	SA	
PR132	2007-000463	R-CHIP;18ohm,5%,1/10W,TP,1608	1	SA		PR61	2007-000097	R-CHIP;47Kohm,5%,1/10W,TP,1608	1	SA	
PR133	2007-000463	R-CHIP;18ohm,5%,1/10W,TP,1608	1	SA		PR62	2007-000074	R-CHIP;100ohm,5%,1/10W,TP,1608	1	SA	
PR136	2007-000463	R-CHIP;18ohm,5%,1/10W,TP,1608	1	SA		PR63	2007-000097	R-CHIP;47Kohm,5%,1/10W,TP,1608	1	SA	
PR137	2007-000463	R-CHIP;18ohm,5%,1/10W,TP,1608	1	SA		PR64	2007-000074	R-CHIP;100ohm,5%,1/10W,TP,1608	1	SA	
PR138	2007-000463	R-CHIP;18ohm,5%,1/10W,TP,1608	1	SA		PR65	2007-000097	R-CHIP;47Kohm,5%,1/10W,TP,1608	1	SA	
PR139	2007-000463	R-CHIP;18ohm,5%,1/10W,TP,1608	1	SA		PR66	2007-000074	R-CHIP;100ohm,5%,1/10W,TP,1608	1	SA	
PR14	2007-000052	R-CHIP;10Kohm,1%,1/10W,TP,1608	1	SA		PR67	2007-000074	R-CHIP;100ohm,5%,1/10W,TP,1608	1	SA	
PR15	2007-000052	R-CHIP;10Kohm,1%,1/10W,TP,1608	1	SA		PR68	2007-000097	R-CHIP;47Kohm,5%,1/10W,TP,1608	1	SA	
PR158	2007-002425	R-CHIP;1ohm,5%,1/10W,TP,1608	1	SA		PR71	2007-000072	R-CHIP;47ohm,5%,1/10W,TP,1608	1	SA	
PR159	2007-002425	R-CHIP;10ohm,5%,1/10W,TP,1608	1	SA		PR72	2007-000072	R-CHIP;47ohm,5%,1/10W,TP,1608	1	SA	
PR160	2007-002425	R-CHIP;1ohm,5%,1/10W,TP,1608	1	SA		PR73	2007-000072	R-CHIP;47ohm,5%,1/10W,TP,1608	1	SA	
PR161	2007-002425	R-CHIP;1ohm,5%,1/10W,TP,1608	1	SA		PR74	2007-000072	R-CHIP;47ohm,5%,1/10W,TP,1608	1	SA	
PR164	2007-002425	R-CHIP;1ohm,5%,1/10W,TP,1608	1	SA		PR77	2007-000072	R-CHIP;47ohm,5%,1/10W,TP,1608	1	SA	
PR165	2007-002425	R-CHIP;1ohm,5%,1/10W,TP,1608	1	SA		PR78	2007-000072	R-CHIP;47ohm,5%,1/10W,TP,1608	1	SA	
PR166	2007-000052	R-CHIP;10Kohm,1%,1/10W,TP,1608	1	SA		PR8	2007-000052	R-CHIP;10Kohm,1%,1/10W,TP,1608	1	SA	
PR17	2007-000052	R-CHIP;10Kohm,1%,1/10W,TP,1608	1	SA		PR84	2007-000070	R-CHIP;0ohm,5%,1/10W,TP,1608	1	SA	
						PR85	2007-000094	R-CHIP;22Kohm,5%,1/10W,TP,1608	1	SA	

Exploded View & Part List

Loc. No.	Part No.	Description;Specification	Q'ty	SNA	Remark	Loc. No.	Part No.	Description;Specification	Q'ty	SNA	Remark
PR86	2007-000070	R-CHIP;0ohm,5%,1/10W,TP,1608	1	SA		FD1	0601-001226	LED;SMD,RED,1.2x0.8mm,660nm,1.6x0.	1	SA	
PR87	2007-000070	R-CHIP;0ohm,5%,1/10W,TP,1608	1	SA		FR1	2007-000082	R-CHIP;3.3Kohm,5%,1/10W,TP,1608	1	SA	
PR88	2007-000094	R-CHIP;22Kohm,5%,1/10W,TP,1608	1	SA		FR10	2007-000124	R-CHIP;2.2Kohm,5%,1/10W,TP,1608	1	SA	
PR9	2007-000113	R-CHIP;33ohm,5%,1/10W,TP,1608	1	SA		FR11	2007-000079	R-CHIP;1.8Kohm,5%,1/10W,TP,1608	1	SA	
PR91	2007-000070	R-CHIP;0ohm,5%,1/10W,TP,1608	1	SA		FR12	2007-000123	R-CHIP;1.5Kohm,5%,1/10W,TP,1608	1	SA	
PR92	2007-000070	R-CHIP;0ohm,5%,1/10W,TP,1608	1	SA		FR13	2007-000107	R-CHIP;470Kohm,5%,1/10W,TP,1608	1	SA	
PR95	2007-000090	R-CHIP;10Kohm,5%,1/10W,TP,1608	1	SA		FR16	2007-000078	R-CHIP;1Kohm,5%,1/10W,TP,1608	1	SA	
PR97	2007-000090	R-CHIP;10Kohm,5%,1/10W,TP,1608	1	SA		FR17	2007-000122	R-CHIP;1.2Kohm,5%,1/10W,TP,1608	1	SA	
PR98	2007-000090	R-CHIP;10Kohm,5%,1/10W,TP,1608	1	SA		FR18	2007-000107	R-CHIP;470Kohm,5%,1/10W,TP,1608	1	SA	
RM01	0609-001202	MODULE REMOCON;HORIZONTAL,12.4mm,TR	1	SA		FR19	2007-000107	R-CHIP;470Kohm,5%,1/10W,TP,1608	1	SA	
RM02	0609-001202	MODULE REMOCON;HORIZONTAL,12.4mm,TR	1	SA		FR2	2007-000107	R-CHIP;470Kohm,5%,1/10W,TP,1608	1	SA	
RMCN1	3708-002140	CONNECTOR-FPC/FFC/PIC;5P,1MM,SMD-S,	1	SA		FR20	2007-000078	R-CHIP;1Kohm,5%,1/10W,TP,1608	1	SA	
RMCN2	3708-002140	CONNECTOR-FPC/FFC/PIC;5P,1MM,SMD-S,	1	SA		FR21	2007-000078	R-CHIP;1Kohm,5%,1/10W,TP,1608	1	SA	
SCREW_HEAT_SINK	6003-000276	SCREW-TAPTITE;BH,+,-,B,M3,L10,ZPC(W	6	SA		FR22	2007-000078	R-CHIP;1Kohm,5%,1/10W,TP,1608	1	SA	
SENSOR1AH32-00009A	SENSOR HUMIDITY;SPSF,HT-DS1000,5V,1	1	SA			FR23	2007-000078	R-CHIP;1Kohm,5%,1/10W,TP,1608	1	SA	
SENSOR1	2007-000078	R-CHIP;1Kohm,5%,1/10W,TP,1608	1	SA		FR24	2007-000078	R-CHIP;1Kohm,5%,1/10W,TP,1608	1	SA	
SHEET_AMP	AH63-01694A	SHEET-AMP;HT-X715,PC,TO.5,W100,L57,	1	SNA		FR25	2007-000078	R-CHIP;1Kohm,5%,1/10W,TP,1608	1	SA	
SHEET_FILTER	AH63-01558A	SHEET-FILTER;HT-A100,PC,TO.3,W36,L1	1	SNA		FR26	2007-000078	R-CHIP;1Kohm,5%,1/10W,TP,1608	1	SA	
SKP1	3716-001275	TERMINAL-BLOCK;WIRE TYPE,12P,21mm,4	1	SA		FR27	2007-000078	R-CHIP;1Kohm,5%,1/10W,TP,1608	1	SA	
SUPPORT_RIVET	AH61-40014A	SUPPORT-RIVET;-,--,--,--,--	2	SA		FR28	2007-000078	R-CHIP;1Kohm,5%,1/10W,TP,1608	1	SA	
U1	1204-002627	IC-MODULATOR;PS9829B,LQFP,100P,14x1	1	SA		FR3	2007-000084	R-CHIP;4.7Kohm,5%,1/10W,TP,1608	1	SA	
UCN11	3711-000471	HEADER-BOARD TO CABLE;3WALL,4P,1R,2	1	SA		FR4	2007-000107	R-CHIP;470Kohm,5%,1/10W,TP,1608	1	SA	
USB1	3722-001051	JACK-USB;4P/1C,AU,BLK,ANGLE,A TYPE	1	SA		FR6	2007-000107	R-CHIP;470Kohm,5%,1/10W,TP,1608	1	SA	
USC50	2401-001508	C-AL;47uF,20%,16V,GP,TP,6.3x5.5	1	SA		FR7	2007-000107	R-CHIP;470Kohm,5%,1/10W,TP,1608	1	SA	
USC51	2203-000257	C-CER,CHIP;10nF,10%,50V,X7R,TP,1608	1	SA		FR8	2007-000107	R-CHIP;470Kohm,5%,1/10W,TP,1608	1	SA	
USC53	2203-005148	C-CER,CHIP;100nF,10%,16V,X7R,TP,160	1	SA		FR9	2007-000107	R-CHIP;470Kohm,5%,1/10W,TP,1608	1	SA	
USD1	0401-001090	DIODE-SWITCHING;1SS355,80V,100MA,SO	1	SA		FWN1	3708-002023	CONNECTOR-FPC/FFC/PIC;6P,1MM,SMD-S,	1	SA	
USD2	0401-001090	DIODE-SWITCHING;1SS355,80V,100MA,SO	1	SA		FZD1	0403-001064	DIODE-ZENER;RLZ5.1B,4.94-5.2V,500mW	1	SA	
VFD1	AH97-02494A	ASSY-VFD DISPLAY;VFD (Driver IC+con	1	SA		FZD2	0403-001064	DIODE-ZENER;RLZ5.1B,4.94-5.2V,500mW	1	SA	
VFDHOLDER	AH61-02523A	HOLDER-VFD;HT-A100,ABS,T1.5,W32.3,L	1	SA		FZD3	0403-001064	DIODE-ZENER;RLZ5.1B,4.94-5.2V,500mW	1	SA	
WCON11	3710-001980	SOCKET-BOARD TO CABLE;16P,2R,2mm,ST	1	SA		FZD4	0403-001064	DIODE-ZENER;RLZ5.1B,4.94-5.2V,500mW	1	SA	
WCON12	3711-006418	HEADER-BOARD TO BOARD;NOWALL,16P,2R	1	SA		FZD5	0403-001064	DIODE-ZENER;RLZ5.1B,4.94-5.2V,500mW	1	SA	
X1	2801-004354	CRYSTAL-UNIT;12.288MHZ,30PPM,ATS-49	1	SA		FZD6	0403-001064	DIODE-ZENER;RLZ5.1B,4.94-5.2V,500mW	1	SA	
XIC1	AH14-10004R	IC-CMOS LOGIC;74HCU04,-,SOP,14P,-,-	1	SA		FZD7	0403-001064	DIODE-ZENER;RLZ5.1B,4.94-5.2V,500mW	1	SA	
XIC2	1203-003526	IC-VOL. DETECTOR;KIA7029AP,TO-92,3P	1	SA		FZD8	0403-001064	DIODE-ZENER;RLZ5.1B,4.94-5.2V,500mW	1	SA	
	AH99-10015M	ASSY AUTO INSERT-PCB-AMP,-,HT-X710	1	SNA		FZD9	0403-001064	DIODE-ZENER;RLZ5.1B,4.94-5.2V,500mW	1	SA	
	AH97-02752C ASSY-SMPS KITTING;HT-X715,176C XEF		1	SNA		OESD1	0406-001128	DIODE-TVS;MLVS-0603-E08,50V,-,-	1	SA	
	6003-000276	SCREW-TAPTITE;BH,+,-,B,M3,L10,ZPC(W	1	SA		PCB_KEY	AH41-01125A	PCB-KEY;HT-X715 KEY PCB,EPOXY,2.0,1	0.167	SNA	
	AH44-00176C	SMPS;HT-X710,HECK-X71000-C,QRC,165W	1	SA		TP10	1209-001742	IC-SENSOR;SS02,SOT26,6P,2.9x1.6mm,P	1	SA	
	AH61-02582A	HOLDER-SMPS;HT-X715,HIPS 94V0,T1.5,	1	SA		TP11	1209-001742	IC-SENSOR;SS02,SOT26,6P,2.9x1.6mm,P	1	SA	
	AH92-02834A ASSY PCB-KEY;HT-X715 KEY PCB,EXPOXY		1	SA		TP12	1209-001742	IC-SENSOR;SS02,SOT26,6P,2.9x1.6mm,P	1	SA	
FC1	2203-000189	C-CER,CHIP;100nF,+80-20%,25V,Y5V,16	1	SA		TP14	1209-001742	IC-SENSOR;SS02,SOT26,6P,2.9x1.6mm,P	1	SA	
FC10	2203-000189	C-CER,CHIP;100nF,+80-20%,25V,Y5V,16	1	SA		TP16	1209-001742	IC-SENSOR;SS02,SOT26,6P,2.9x1.6mm,P	1	SA	
FC11	2203-000189	C-CER,CHIP;100nF,+80-20%,25V,Y5V,16	1	SA		TP17	1209-001742	IC-SENSOR;SS02,SOT26,6P,2.9x1.6mm,P	1	SA	
FC2	2203-005148	C-CER,CHIP;100nF,10%,16V,X7R,TP,160	1	SA		TP4	1209-001742	IC-SENSOR;SS02,SOT26,6P,2.9x1.6mm,P	1	SA	
FC3	2203-005148	C-CER,CHIP;100nF,10%,16V,X7R,TP,160	1	SA		TP5	1209-001742	IC-SENSOR;SS02,SOT26,6P,2.9x1.6mm,P	1	SA	
FC4	2203-000189	C-CER,CHIP;100nF,+80-20%,25V,Y5V,16	1	SA		TP6	1209-001742	IC-SENSOR;SS02,SOT26,6P,2.9x1.6mm,P	1	SA	
FC5	2203-000189	C-CER,CHIP;100nF,+80-20%,25V,Y5V,16	1	SA		AH99-10014A	ASSY AUTO INSERT-PCB-KEY,-,HT-X715,	1	SNA		
FC6	2203-000189	C-CER,CHIP;100nF,+80-20%,25V,Y5V,16	1	SA		AH59-01907K	REMOCON-ASSY;HT-X710/EXP,SAMSUNG,23	1	SA		
FC7	2203-000189	C-CER,CHIP;100nF,+80-20%,25V,Y5V,16	1	SA		AH69-02277B	MASTER CARTON;HT-X710/XEF,CB,T7,W60	1.03	SNA		
FC8	2203-000189	C-CER,CHIP;100nF,+80-20%,25V,Y5V,16	1	SA							
FC9	2203-000189	C-CER,CHIP;100nF,+80-20%,25V,Y5V,16	1	SA							
FCN1	3711-003591	HEADER-BOARD TO CABLE;BOX,4P,1R,2mm	1	SA							
FCN3	3711-003591	HEADER-BOARD TO CABLE;BOX,4P,1R,2mm	1	SA							

5-6 HT-X715T/EDC Electrical Part List

Loc. No.	Part No.	Description;Specification	Q'ty	SNA	Remark	Loc. No.	Part No.	Description;Specification	Q'ty	SNA	Remark
	AH59-01918B	SPEAKER SYSTEM;PS-WX710,,XEU,SUBWO	1	SA			AH68-01984A	MANUAL-CLEANING;HT-X200,-,-,ART P	1	SNA	
	AH81-04170A	SPEAKER;PS-WX715,SUBWOOFER SPK,FOR	1	SNA			AH68-02091B	LABEL-POP;HT-X715,EXP,RAINBOW SHEET	1	SA	
	AH81-03714A	SPEAKER-REAR CASE SW;PS-A100,REAR C	1	SNA			AH69-02206A	CUSHION-TOP;HT-X715,EPS,T20,W616,L7	1	SNA	
	AH81-03715A	SPEAKER-GUIDE PANEL SW;PS-A100,GUID	1	SNA			AH69-02207A	CUSHION-BOTTOM;HT-X715,EPS,T20,W616	1	SNA	
	AH81-03716A	SPEAKER-NET FRAME SW;PS-A100,NET FR	1	SNA							
	AH81-03717A	SPEAKER-FOOT SW;PS-A100,FOOT_SW,-,-	1	SA			AH92-02833A	ASSY PCB-MAIN;HT-X715 MAIN PCB,EXPO	1	SA	
	AH81-04299A	SPEAKER-CUSHION SUBWOOFER;WOODEN	1	SNA		AC1	2402-000130	C-AL,SMD;2.2uF,20%,50V,GP,TP,4.3x4.	1	SA	
	AH81-04403A	SPEAKER-SUBWOOFER UNIT;SUBWOOFER UN	1	SA		AC10	2402-000130	C-AL,SMD;2.2uF,20%,50V,GP,TP,4.3x4.	1	SA	
	AH81-04404A	SPEAKER-CUSHION SUBWOOFER L;CUSHION	1	SNA		AC11	2203-005148	C-CER,CHIP;100nF,10%,16V,X7R,TP,160	1	SA	
	AH81-04405A	SPEAKER-CUSHION SUBWOOFER R;CUSHION	1	SNA		AC12	2203-005148	C-CER,CHIP;100nF,10%,16V,X7R,TP,160	1	SA	
	AH81-02177B	SPEAKER;PS-Q20,SPK CORD## CONNECTOR	1	SA		AC13	2402-001042	C-AL,SMD;100uF,20%,16V,GP,TP,6.6x6.	1	SA	
	AH81-04166B	SPEAKER;PS-XA100,CENTER SPEAKER,BUM	1	SA		AC14	2402-001042	C-AL,SMD;100uF,20%,16V,GP,TP,6.6x6.	1	SA	
	AH81-03711A	SPEAKER-REAR CASE;PS-A100,REAR CASE	1	SNA		AC15	2203-000491	C-CER,CHIP;2.2nF,10%,50V,X7R,1608	1	SA	
	AH81-03712A	SPEAKER-FRONT PANEL;PS-A100,FRONT P	1	SNA		AC16	2203-000491	C-CER,CHIP;2.2nF,10%,50V,X7R,1608	1	SA	
	AH81-03713A	SPEAKER-NET FRAME;PS-A100,NET FRAME	1	SNA		AC17	2402-001042	C-AL,SMD;100uF,20%,16V,GP,TP,6.6x6.	1	SA	
	AH81-03818A	SPEAKER-FRONT;PS-A100,PUNCHING GRIL	1	SNA		AC18	2203-005148	C-CER,CHIP;100nF,10%,16V,X7R,TP,160	1	SA	
	AH81-04051A	SPEAKER-REAR CASE;REAR CASE-FRONT,P	1	SNA		AC19	2402-001042	C-AL,SMD;100uF,20%,16V,GP,TP,6.6x6.	1	SA	
	AH81-04120A	AUDIO-RECEIVER-SPEAKER;CENTER UNIT	1	SNA		AC2	2402-000130	C-AL,SMD;2.2uF,20%,50V,GP,TP,4.3x4.	1	SA	
	AH81-04121A	AUDIO-RECEIVER-SPEAKER;TWEETER,FOR	1	SNA		AC20	2203-000189	C-CER,CHIP;100nF,+80-20%,25V,Y5V,16	1	SA	
	AH81-04169A	SPEAKER;FRONT SPEAKER SYSTEM,FOR PS	2	SA		AC21	2402-000008	C-AL,SMD;47uF,20%,16V,GP,TP,6.6x6.6	1	SA	
	AH81-03904A	SPEAKER-REAR CASE FRONT;PS-X710,REA	1	SNA		AC22	2203-005148	C-CER,CHIP;100nF,10%,16V,X7R,TP,160	1	SA	
	AH81-03905A	SPEAKER-STAND TOP;PS-X710,STAND TOP	1	SA		AC25	2203-002398	C-CER,CHIP;22nF,10%,50V,X7R,1608	1	SA	
	AH81-03907A	SPEAKER-PIEZO DECO;PS-X710,PIEZO DE	1	SNA		AC26	2203-005148	C-CER,CHIP;100nF,10%,16V,X7R,TP,160	1	SA	
	AH81-03909A	SPEAKER-FRONT PANEL FRONT;PS-X710,F	1	SNA		AC27	2203-000189	C-CER,CHIP;100nF,+80-20%,25V,Y5V,16	1	SA	
	AH81-03910A	SPEAKER-NET FRAME FRONT;PS-X710,NET	1	SA		AC28	2402-001042	C-AL,SMD;100uF,20%,16V,GP,TP,6.6x6.	1	SA	
	AH81-03911A	SPEAKER-DECORATION;PS-X710,DECORATI	1	SNA		AC29	2203-000189	C-CER,CHIP;100nF,+80-20%,25V,Y5V,16	1	SA	
	AH81-03912A	SPEAKER-PIEZO GRILLE;PS-X710,PIEZO	1	SNA		AC3	2402-000130	C-AL,SMD;2.2uF,20%,50V,GP,TP,4.3x4.	1	SA	
	AH81-03913A	SPEAKER-GRILLE FRONT;PS-X710,GRILLE	1	SNA		AC30	2402-001042	C-AL,SMD;100uF,20%,16V,GP,TP,6.6x6.	1	SA	
	AH81-03914A	SPEAKER-STAND STEEL;PS-X710,STAND S	1	SA		AC31	2402-000130	C-AL,SMD;2.2uF,20%,50V,GP,TP,4.3x4.	1	SA	
	AH81-04086A	SPEAKER-DECO TOPWINE;PS-X810,DECO T	1	SNA		AC32	2402-000130	C-AL,SMD;2.2uF,20%,50V,GP,TP,4.3x4.	1	SA	
	AH81-04087A	SPEAKER-INNER WINE;PS-X810,INNER WI	1	SNA		AC33	2203-000236	C-CER,CHIP;0.1nF,5%,50V,COG,1608	1	SA	
	AH81-04088A	SPEAKER-TOP INNER WINE;PS-X810,TOP	1	SNA		AC34	2203-000236	C-CER,CHIP;0.1nF,5%,50V,COG,1608	1	SA	
	AH81-04401A	SPEAKER-WOOFER UNIT FRONT;WOOFER UN	1	SA		AC35	2203-000236	C-CER,CHIP;0.1nF,5%,50V,COG,1608	1	SA	
	AH81-04402A	SPEAKER-TWEETER UNIT;TWEETER UNIT,P	1	SA		AC36	2402-001049	C-AL,SMD;10uF,20%,16V,GP,TP,3.3x3.3	1	SA	
	AH81-04406A	SPEAKER-NETWORK PCB ASSY;NETWORK PC	1	SNA		AC37	2203-000783	C-CER,CHIP;0.33nF,5%,50V,COG,1608	1	SA	
	AH81-04169C	SPEAKER-A/S PART;PS-RX715,REAR SPEA	2	SA		AC38	2203-000783	C-CER,CHIP;0.33nF,5%,50V,COG,1608	1	SA	
	AH81-02723A	PCB;190*135*1.6(FR-1),-,-,-,-,-,-,-,-	1	SNA		AC7	2402-000130	C-AL,SMD;2.2uF,20%,50V,GP,TP,4.3x4.	1	SA	
	AH81-03708A	SPEAKER-REAR CASE;REAR CASE,-,-,-,-	1	SNA		AC8	2402-000130	C-AL,SMD;2.2uF,20%,50V,GP,TP,4.3x4.	1	SA	
	AH81-03709A	SPEAKER-FRONT PANEL;PS-A100,FRONT P	1	SNA		AC9	2402-000130	C-AL,SMD;2.2uF,20%,50V,GP,TP,4.3x4.	1	SA	
	AH81-03725A	SPEAKER-FRONT SPK;PS-A100,TWEETER_C	1	SNA		AD7	3301-001495	BEAD-SMD;120ohm,2012,2500mA,TP,115o	1	SA	
	AH81-03816A	SPEAKER-FRONT;PS-A100,PUNCHING GRIL	1	SNA		AIC1	1002-001548	IC-A/D CONVERTER;CS5345,24,LQFP,48P	1	SA	
	AH81-03817A	SPEAKER-FRONT;PS-A100,PUNCHING GRIL	1	SNA		AL1	3301-001495	BEAD-SMD;120ohm,2012,2500mA,TP,115o	1	SA	
	AH81-04119A	AUDIO-RECEIVER-SPEAKER;REAR UNIT,F	1	SNA		AL2	3301-001495	BEAD-SMD;120ohm,2012,2500mA,TP,115o	1	SA	
	AH81-04121A	AUDIO-RECEIVER-SPEAKER;TWEETER,FOR	1	SNA		AL3	3301-001495	BEAD-SMD;120ohm,2012,2500mA,TP,115o	1	SA	
	AH81-04164A	AUDIO-RECEIVER;DECO-INNER,FOR PS-A1	1	SA		AL5	3301-001495	BEAD-SMD;120ohm,2012,2500mA,TP,115o	1	SA	
	AH81-04165A	AUDIO-RECEIVER;DECO-R,FOR PS-A100,R	1	SA		AL6	3301-001495	BEAD-SMD;120ohm,2012,2500mA,TP,115o	1	SA	
	AH81-04297A	SPEAKER-CUSHION FRONT;CUSHION-FRONT	1	SNA		AL7	3301-001495	BEAD-SMD;120ohm,2012,2500mA,TP,115o	1	SA	
	AH81-04298A	SPEAKER-CUSHION REAR;CUSHION-REAR/C	1	SNA		AQ1	0504-000156	TR-DIGITAL;KSR2103,PNP,200MW,22K/22	1	SA	
	AH97-02694E	ASSY-MAIN OTHER;HT-X710,XEE	1	SNA		AQ2	0504-000128	TR-DIGITAL;-NPN,200MW,22K/22K,SOT-	1	SA	
	AH63-01301A	SHEET-SET;HT-Q40,-,-,-,-,-,-,-,-	1	SNA		AR1	2007-000090	R-CHIP;10Kohm,5%,1/10W,TP,1608	1	SA	
	AH63-01764B	SHEET-COVER;HT-X710,PC,T0.3,W15,L90	1	SA		AR19	2007-000074	R-CHIP;100ohm,5%,1/10W,TP,1608	1	SA	
	AH68-00371A	LABEL-BAR CODE;DVD-611/XAA,-,MOJO20	1.05	SNA		AR2	2007-000102	R-CHIP;100Kohm,5%,1/10W,TP,1608	1	SA	
	AH68-01929H	LABEL RATING;HT-A100,ELS,SLIVER PET	1.05	SNA		AR24	2007-000074	R-CHIP;100ohm,5%,1/10W,TP,1608	1	SA	
						AR25	2007-000074	R-CHIP;100ohm,5%,1/10W,TP,1608	1	SA	
						AR28	2007-000074	R-CHIP;100ohm,5%,1/10W,TP,1608	1	SA	
						AR3	2007-000102	R-CHIP;100Kohm,5%,1/10W,TP,1608	1	SA	

Exploded View & Part List

Loc. No.	Part No.	Description;Specification	Q'ty	SNA	Remark	Loc. No.	Part No.	Description;Specification	Q'ty	SNA	Remark
AR30	2007-000074	R-CHIP;100ohm,5%,1/10W,TP,1608	1		SA						
AR31	2007-000074	R-CHIP;100ohm,5%,1/10W,TP,1608	1		SA	BTR7	2007-000074	R-CHIP;100ohm,5%,1/10W,TP,1608	1		SA
AR32	2007-000074	R-CHIP;100ohm,5%,1/10W,TP,1608	1		SA	CBT1	2203-005148	C-CER,CHIP;100nF,10%,16V,X7R,TP,160	1		SA
AR37	2007-000074	R-CHIP;100ohm,5%,1/10W,TP,1608	1		SA	CC1	2203-005148	C-CER,CHIP;100nF,10%,16V,X7R,TP,160	1		SA
AR38	2007-000074	R-CHIP;100ohm,5%,1/10W,TP,1608	1		SA	CC2	2402-000167	C-AL,SMD;100uF,20%,10V,-,-,6.6x6.6x	1		SA
AR4	2007-000090	R-CHIP;10Kohm,5%,1/10W,TP,1608	1		SA	CC3	2203-005148	C-CER,CHIP;100nF,10%,16V,X7R,TP,160	1		SA
AR42	2007-000124	R-CHIP;2.2Kohm,5%,1/10W,TP,1608	1		SA	CC4	2203-005065	C-CER,CHIP;1000nF,+80-20%,10V,Y5V,1	1		SA
AR43	2007-000082	R-CHIP;3.3Kohm,5%,1/10W,TP,1608	1		SA	CC5	2402-000167	C-AL,SMD;100uF,20%,10V,-,-,6.6x6.6x	1		SA
AR44	2007-000082	R-CHIP;3.3Kohm,5%,1/10W,TP,1608	1		SA	CC6	2203-005148	C-CER,CHIP;100nF,10%,16V,X7R,TP,160	1		SA
AR45	2007-000081	R-CHIP;2.7Kohm,5%,1/10W,TP,1608	1		SA	CC7	2203-005148	C-CER,CHIP;100nF,10%,16V,X7R,TP,160	1		SA
AR46	2007-000081	R-CHIP;2.7Kohm,5%,1/10W,TP,1608	1		SA	CCN1	3708-002023	CONNECTOR-FPC/FFC/PIC;6P,1MM,SMD-S,	1		SA
AR47	2007-000097	R-CHIP;47Kohm,5%,1/10W,TP,1608	1		SA	CCN5	3708-002023	CONNECTOR-FPC/FFC/PIC;6P,1MM,SMD-S,	1		SA
AR48	2007-000094	R-CHIP;22Kohm,5%,1/10W,TP,1608	1		SA	CIC1	AK09-00159A	IC MICOM,-;MC80C0316-MC015 D32,44,2	1		SA
AR49	2007-000094	R-CHIP;22Kohm,5%,1/10W,TP,1608	1		SA	CIC2	1103-001333	IC-EEPROM;24C08A,1Kx8Bit,SOP,8P,5x4	1		SA
AR5	2007-000124	R-CHIP;2.2Kohm,5%,1/10W,TP,1608	1		SA	CIC3	1203-002425	IC-POSI.FIXED REG.,1117,SOT-223,3P,	1		SA
AR50	2007-000097	R-CHIP;47Kohm,5%,1/10W,TP,1608	1		SA	CIC4	0505-001679	FET-SILICON;FDC6301N,1N,25V,0.22A,50	1		SA
AVC01	2402-001049	C-AL,SMD;10uF,20%,16V,GP,TP,3.3x3.3	1		SA	CL1	3301-001495	BEAD-SMD;120ohm,2012,2500mA,TP,115o	1		SA
AVC02	2203-005148	C-CER,CHIP;100nF,+80-20%,16V,X7R,TP,160	1		SA	CN1	3708-001958	CONNECTOR-FPC/FFC/PIC;13P,1.25MM,SM	1		SA
AVC03	2203-005819	C-CER,CHIP;1000nF,+80-20%,16V,Y5V,-	1		SA	CN11	3708-001837	CONNECTOR-FPC/FFC/PIC;15P,1mm,SMD-S	1		SA
AVC04	2402-001049	C-AL,SMD;10uF,20%,16V,GP,TP,3.3x3.3	1		SA	CN3	3708-002448	CONNECTOR-FPC/FFC/PIC;24P,1mm,SMD-S	1		SA
AVC05	2203-005819	C-CER,CHIP;1000nF,+80-20%,16V,Y5V,-	1		SA	CN5	3711-003591	HEADER-BOARD TO CABLE;BOX,4P,1R,2mm	1		SA
AVC06	2203-005819	C-CER,CHIP;1000nF,+80-20%,16V,Y5V,-	1		SA	CN7	3711-003591	HEADER-BOARD TO CABLE;BOX,4P,1R,2mm	1		SA
AVC07	2203-005819	C-CER,CHIP;1000nF,+80-20%,16V,Y5V,-	1		SA	CN8	3708-002023	CONNECTOR-FPC/FFC/PIC;6P,1MM,SMD-S,	1		SA
AVC08	2203-005148	C-CER,CHIP;100nF,10%,16V,X7R,TP,160	1		SA	CQ1	0501-000341	TR-SMALL SIGNAL;KSC1623-L,NPN,200mW	1		SA
AVC09	2203-005148	C-CER,CHIP;100nF,10%,16V,X7R,TP,160	1		SA	CR1	2007-000070	R-CHIP;0ohm,5%,1/10W,TP,1608	1		SA
AVC10	2402-001198	C-AL,SMD;330UF,20%,6.3V,GP,TP,6.6X6	1		SA	CR10	2007-000090	R-CHIP;10Kohm,5%,1/10W,TP,1608	1		SA
AVC11	2402-001198	C-AL,SMD;330UF,20%,6.3V,GP,TP,6.6X6	1		SA	CR11	2007-000090	R-CHIP;10Kohm,5%,1/10W,TP,1608	1		SA
AVC12	2402-001042	C-AL,SMD;100uF,20%,16V,GP,TP,6.6x6.	1		SA	CR12	2007-000090	R-CHIP;10Kohm,5%,1/10W,TP,1608	1		SA
AVC13	2402-001042	C-AL,SMD;100uF,20%,16V,GP,TP,6.6x6.	1		SA	CR13	2007-000090	R-CHIP;10Kohm,5%,1/10W,TP,1608	1		SA
AVC14	2203-000280	C-CER,CHIP;0.01nF,0.5pF,50V,C0G,160	1		SA	CR14	2007-000074	R-CHIP;100ohm,5%,1/10W,TP,1608	1		SA
AVC15	2203-000280	C-CER,CHIP;0.01nF,0.5pF,50V,C0G,160	1		SA	CR15	2007-000074	R-CHIP;100ohm,5%,1/10W,TP,1608	1		SA
AVC16	2203-000280	C-CER,CHIP;0.01nF,0.5pF,50V,C0G,160	1		SA	CR17	2007-000074	R-CHIP;100ohm,5%,1/10W,TP,1608	1		SA
AVC17	2203-000280	C-CER,CHIP;0.01nF,0.5pF,50V,C0G,160	1		SA	CR2	2007-000071	R-CHIP;22ohm,5%,1/10W,TP,1608	1		SA
AVC18	2203-005819	C-CER,CHIP;1000nF,+80-20%,16V,Y5V,-	1		SA	CR24	2007-000090	R-CHIP;10Kohm,5%,1/10W,TP,1608	1		SA
AVC19	2203-005819	C-CER,CHIP;1000nF,+80-20%,16V,Y5V,-	1		SA	CR26	2007-000090	R-CHIP;10Kohm,5%,1/10W,TP,1608	1		SA
AVR01	2007-001167	R-CHIP;75ohm,5%,1/10W,TP,1608	1		SA	CR28	2007-000109	R-CHIP;1Mohm,5%,1/10W,TP,1608	1		SA
AVR02	2007-001167	R-CHIP;75ohm,5%,1/10W,TP,1608	1		SA	CR29	2007-000074	R-CHIP;100ohm,5%,1/10W,TP,1608	1		SA
AVR03	2007-001167	R-CHIP;75ohm,5%,1/10W,TP,1608	1		SA	CR3	2007-000071	R-CHIP;22ohm,5%,1/10W,TP,1608	1		SA
AVR04	2007-001167	R-CHIP;75ohm,5%,1/10W,TP,1608	1		SA	CR30	2007-000090	R-CHIP;10Kohm,5%,1/10W,TP,1608	1		SA
AVR05	2007-001167	R-CHIP;75ohm,5%,1/10W,TP,1608	1		SA	CR31	2007-000090	R-CHIP;10Kohm,5%,1/10W,TP,1608	1		SA
AVR06	2007-000125	R-CHIP;3.9Kohm,5%,1/10W,TP,1608	1		SA	CR32	2007-000090	R-CHIP;10Kohm,5%,1/10W,TP,1608	1		SA
AVR08	2007-001167	R-CHIP;75ohm,5%,1/10W,TP,1608	1		SA	CR38	2007-000090	R-CHIP;10Kohm,5%,1/10W,TP,1608	1		SA
AVR09	2007-001167	R-CHIP;75ohm,5%,1/10W,TP,1608	1		SA	CR39	2007-000084	R-CHIP;4.7Kohm,5%,1/10W,TP,1608	1		SA
AVR10	2007-001167	R-CHIP;75ohm,5%,1/10W,TP,1608	1		SA	CR4	2007-000084	R-CHIP;4.7Kohm,5%,1/10W,TP,1608	1		SA
AVR12	2007-000084	R-CHIP;4.7Kohm,5%,1/10W,TP,1608	1		SA	CR40	2007-000070	R-CHIP;0ohm,5%,1/10W,TP,1608	1		SA
AVR13	2007-001167	R-CHIP;75ohm,5%,1/10W,TP,1608	1		SA	CR41	2007-000070	R-CHIP;0ohm,5%,1/10W,TP,1608	1		SA
AVR14	2007-001167	R-CHIP;75ohm,5%,1/10W,TP,1608	1		SA	CR42	2007-000074	R-CHIP;100ohm,5%,1/10W,TP,1608	1		SA
AVR15	2007-001167	R-CHIP;75ohm,5%,1/10W,TP,1608	1		SA	CR43	2007-000090	R-CHIP;10Kohm,5%,1/10W,TP,1608	1		SA
AVR16	2007-001167	R-CHIP;75ohm,5%,1/10W,TP,1608	1		SA	CR44	2007-000078	R-CHIP;1Kohm,5%,1/10W,TP,1608	1		SA
AVR19	2007-001167	R-CHIP;75ohm,5%,1/10W,TP,1608	1		SA	CR45	2007-000081	R-CHIP;2.7Kohm,5%,1/10W,TP,1608	1		SA
AVR21	2007-001167	R-CHIP;75ohm,5%,1/10W,TP,1608	1		SA	CR46	2007-000093	R-CHIP;20Kohm,5%,1/10W,TP,1608	1		SA
BL03	3301-001495	BEAD-SMD;120ohm,2012,2500mA,TP,115o	1		SA	CR47	2007-000074	R-CHIP;100ohm,5%,1/10W,TP,1608	1		SA
BPIC1	0801-002518	IC-CMOS LOGIC;74LCX157,2-INPUT MULT	1		SA	CR48	2007-000102	R-CHIP;100Kohm,5%,1/10W,TP,1608	1		SA
BTR1	2007-000122	R-CHIP;1.2Kohm,5%,1/10W,TP,1608	1		SA	CR5	2007-000084	R-CHIP;4.7Kohm,5%,1/10W,TP,1608	1		SA
BTR11	2007-000074	R-CHIP;100ohm,5%,1/10W,TP,1608	1		SA	CR6	2007-000084	R-CHIP;4.7Kohm,5%,1/10W,TP,1608	1		SA
BTR2	2007-000074	R-CHIP;100ohm,5%,1/10W,TP,1608	1		SA	CR9	2007-000090	R-CHIP;10Kohm,5%,1/10W,TP,1608	1		SA
BTR4	2007-000074	R-CHIP;100ohm,5%,1/10W,TP,1608	1		SA	CX1	2802-001165	RESONATOR-CERAMIC;4MHz,0.5%,TP,4.5x	1		SA
BTR5	2007-000074	R-CHIP;100ohm,5%,1/10W,TP,1608	1		SA	DC1	2203-000189	C-CER,CHIP;100nF,+80-20%,25V,Y5V,16	1		SA
BTR6	2007-000074	R-CHIP;100ohm,5%,1/10W,TP,1608	1		SA	DC10	2203-000189	C-CER,CHIP;100nF,+80-20%,25V,Y5V,16	1		SA

Loc. No.	Part No.	Description;Specification	Q'ty	SNA	Remark	Loc. No.	Part No.	Description;Specification	Q'ty	SNA	Remark
DC11	2203-000189	C-CER,CHIP;100nF,+80-20%,25V,Y5V,16	1	SA		ESD5	0406-001128	DIODE-TVS;MLVS-0603-E08,50V,-,-	1	SA	
DC12	2203-000189	C-CER,CHIP;100nF,+80-20%,25V,Y5V,16	1	SA		FC1	2203-005148	C-CER,CHIP;100nF,10%,16V,X7R,TP,160	1	SA	
						FC6	2203-005148	C-CER,CHIP;100nF,10%,16V,X7R,TP,160	1	SA	
DC18	2203-000815	C-CER,CHIP;0.033nF,5%,50V,C0G,1608	1	SA		FC7	2203-005148	C-CER,CHIP;100nF,10%,16V,X7R,TP,160	1	SA	
DC19	2203-000815	C-CER,CHIP;0.033nF,5%,50V,C0G,1608	1	SA							
DC2	2203-000440	C-CER,CHIP;1nF,10%,50V,X7R,1608	1	SA		FQ01	0504-000156	TR-DIGITAL;KSR2103,PNP,200MW,22K/22	1	SA	
DC3	2402-001049	C-AL,SMD;10uF,20%,16V,GP,TP,3.3x3.3	1	SA		FR15	2007-000643	R-CHIP;270ohm,5%,1/10W,TP,1608	1	SA	
DC4	2203-000189	C-CER,CHIP;100nF,+80-20%,25V,Y5V,16	1	SA		H/S	AH62-00062G	HEAT SINK-TR;HT-DS400,AL EXTR,-,-,-	1	SA	
						HC1	2203-005148	C-CER,CHIP;100nF,10%,16V,X7R,TP,160	1	SA	
DC5	2203-000189	C-CER,CHIP;100nF,+80-20%,25V,Y5V,16	1	SA		HC10	2203-005148	C-CER,CHIP;100nF,10%,16V,X7R,TP,160	1	SA	
DC6	2402-001049	C-AL,SMD;10uF,20%,16V,GP,TP,3.3x3.3	1	SA		HC11	2203-005148	C-CER,CHIP;100nF,10%,16V,X7R,TP,160	1	SA	
DC7	2203-000189	C-CER,CHIP;100nF,+80-20%,25V,Y5V,16	1	SA		HC12	2402-001059	C-AL,SMD;220##F,20%,6.3V,-,TP,6x6.6	1	SA	
DC8	2402-000008	C-AL,SMD;47uF,20%,16V,GP,TP,6.6x6.6	1	SA		HC13	2203-005148	C-CER,CHIP;100nF,10%,16V,X7R,TP,160	1	SA	
DC9	2203-000189	C-CER,CHIP;100nF,+80-20%,25V,Y5V,16	1	SA		HC14	2203-005148	C-CER,CHIP;100nF,10%,16V,X7R,TP,160	1	SA	
						HC16	2203-005148	C-CER,CHIP;100nF,10%,16V,X7R,TP,160	1	SA	
DIC1	0904-002330	IC-DSP;CS48540,LQFP,48P,7x7mm,150MH	1	SA		HC17	2203-005148	C-CER,CHIP;100nF,10%,16V,X7R,TP,160	1	SA	
DIC2	0802-001007	IC-CMOS LOGIC;74LCX244,BUFFER/LINE	1	SA		HC18	2203-005065	C-CER,CHIP;1000nF,+80-20%,10V,Y5V,1	1	SA	
DIX1	2801-004021	CRYSTAL-SMD;24.576MHz,20ppm,28-AA,N	1	SA		HC19	2402-001059	C-AL,SMD;220##F,20%,6.3V,-,TP,6x6.6	1	SA	
DL1	3301-001495	BEAD-SMD;120ohm,2012,2500mA,TP,115o	1	SA		HC2	2203-005148	C-CER,CHIP;100nF,10%,16V,X7R,TP,160	1	SA	
DL2	3301-001495	BEAD-SMD;120ohm,2012,2500mA,TP,115o	1	SA		HC20	2203-005148	C-CER,CHIP;100nF,10%,16V,X7R,TP,160	1	SA	
						HC21	2203-005065	C-CER,CHIP;1000nF,+80-20%,10V,Y5V,1	1	SA	
DL3	3301-001495	BEAD-SMD;120ohm,2012,2500mA,TP,115o	1	SA		HC22	2203-005065	C-CER,CHIP;1000nF,+80-20%,10V,Y5V,1	1	SA	
DL4	3301-001495	BEAD-SMD;120ohm,2012,2500mA,TP,115o	1	SA		HC23	2203-005148	C-CER,CHIP;100nF,10%,16V,X7R,TP,160	1	SA	
DR1	2007-000113	R-CHIP;33ohm,5%,1/10W,TP,1608	1	SA		HC24	2402-001059	C-AL,SMD;220##F,20%,6.3V,-,TP,6x6.6	1	SA	
DR10	2007-000082	R-CHIP;3.3Kohm,5%,1/10W,TP,1608	1	SA		HC25	2203-005148	C-CER,CHIP;100nF,10%,16V,X7R,TP,160	1	SA	
DR11	2007-000113	R-CHIP;33ohm,5%,1/10W,TP,1608	1	SA		HC26	2203-005148	C-CER,CHIP;100nF,10%,16V,X7R,TP,160	1	SA	
						HC27	2203-005148	C-CER,CHIP;100nF,10%,16V,X7R,TP,160	1	SA	
DR12	2007-000113	R-CHIP;33ohm,5%,1/10W,TP,1608	1	SA		HC28	2203-005148	C-CER,CHIP;100nF,10%,16V,X7R,TP,160	1	SA	
DR13	2007-000082	R-CHIP;3.3Kohm,5%,1/10W,TP,1608	1	SA		HC29	2203-005148	C-CER,CHIP;100nF,10%,16V,X7R,TP,160	1	SA	
DR14	2007-000070	R-CHIP;0ohm,5%,1/10W,TP,1608	1	SA		HC3	2203-005148	C-CER,CHIP;100nF,10%,16V,X7R,TP,160	1	SA	
DR15	2007-000962	R-CHIP;5.1Kohm,1%,1/10W,TP,1608	1	SA		HC30	2402-001059	C-AL,SMD;220##F,20%,6.3V,-,TP,6x6.6	1	SA	
DR16	2007-000113	R-CHIP;33ohm,5%,1/10W,TP,1608	1	SA		HC31	2402-001059	C-AL,SMD;220##F,20%,6.3V,-,TP,6x6.6	1	SA	
						HC32	2203-005148	C-CER,CHIP;100nF,10%,16V,X7R,TP,160	1	SA	
DR17	2007-000113	R-CHIP;33ohm,5%,1/10W,TP,1608	1	SA		HC33	2203-000189	C-CER,CHIP;100nF,+80-20%,25V,Y5V,16	1	SA	
DR18	2007-000113	R-CHIP;33ohm,5%,1/10W,TP,1608	1	SA		HC34	2203-000189	C-CER,CHIP;100nF,+80-20%,25V,Y5V,16	1	SA	
DR19	2007-000113	R-CHIP;33ohm,5%,1/10W,TP,1608	1	SA		HC35	2203-005148	C-CER,CHIP;100nF,10%,16V,X7R,TP,160	1	SA	
DR2	2007-000113	R-CHIP;33ohm,5%,1/10W,TP,1608	1	SA		HC36	2402-001049	C-AL,SMD;10uF,20%,16V,GP,TP,3.3x3.3	1	SA	
DR20	2007-000113	R-CHIP;33ohm,5%,1/10W,TP,1608	1	SA		HC37	2203-005148	C-CER,CHIP;100nF,10%,16V,X7R,TP,160	1	SA	
						HC38	2203-000189	C-CER,CHIP;100nF,+80-20%,25V,Y5V,16	1	SA	
DR21	2007-000113	R-CHIP;33ohm,5%,1/10W,TP,1608	1	SA		HC39	2402-001042	C-AL,SMD;100uF,20%,16V,GP,TP,6.6x6.6	1	SA	
DR22	2007-000113	R-CHIP;33ohm,5%,1/10W,TP,1608	1	SA		HC4	2203-005148	C-CER,CHIP;100nF,10%,16V,X7R,TP,160	1	SA	
DR23	2007-000113	R-CHIP;33ohm,5%,1/10W,TP,1608	1	SA		HC40	2203-000189	C-CER,CHIP;100nF,+80-20%,25V,Y5V,16	1	SA	
DR24	2007-000113	R-CHIP;33ohm,5%,1/10W,TP,1608	1	SA		HC41	2203-005148	C-CER,CHIP;100nF,10%,16V,X7R,TP,160	1	SA	
DR25	2007-000113	R-CHIP;33ohm,5%,1/10W,TP,1608	1	SA		HC45	2203-005148	C-CER,CHIP;100nF,10%,16V,X7R,TP,160	1	SA	
						HC6	2203-005065	C-CER,CHIP;1000nF,+80-20%,10V,Y5V,1	1	SA	
DR26	2007-000113	R-CHIP;33ohm,5%,1/10W,TP,1608	1	SA		HC7	2203-005065	C-CER,CHIP;1000nF,+80-20%,10V,Y5V,1	1	SA	
DR27	2007-000113	R-CHIP;33ohm,5%,1/10W,TP,1608	1	SA		HC9	2203-005148	C-CER,CHIP;100nF,10%,16V,X7R,TP,160	1	SA	
DR3	2007-000113	R-CHIP;33ohm,5%,1/10W,TP,1608	1	SA		HCN1	3701-001313	CONNECTOR-HDMI;19P,2R,PLUG,ANGLE,AU	1	SA	
DR30	2007-000082	R-CHIP;3.3Kohm,5%,1/10W,TP,1608	1	SA		HD2	0401-001090	DIODE-SWITCHING;1SS355,80V,100MA,SO	1	SA	
DR32	2007-000113	R-CHIP;33ohm,5%,1/10W,TP,1608	1	SA		HD3	0402-000309	DIODE-RECTIFIER;1SR154-400,400V,1A,	1	SA	
						HIC1	1205-003381	IC-TRANSMITTER;ES7108S,LQFP,80P,12x	1	SA	
DR35	2007-000113	R-CHIP;33ohm,5%,1/10W,TP,1608	1	SA		HIC3	1203-002935	IC-POSI.ADJUST REG.;AIC1117ACE,TO-2	1	SA	
DR36	2007-000113	R-CHIP;33ohm,5%,1/10W,TP,1608	1	SA		HL1	2901-001302	FILTER-EMI SMD;20V,0.3A,0pF,2.0x1.2	1	SA	
DR37	2007-000090	R-CHIP;10Kohm,5%,1/10W,TP,1608	1	SA		HL10	3301-001495	BEAD-SMD;120ohm,2012,2500mA,TP,115o	1	SA	
DR38	2007-000475	R-CHIP;1Mohm,1%,1/10W,TP,1608	1	SA		HL14	3301-001495	BEAD-SMD;120ohm,2012,2500mA,TP,115o	1	SA	
DR39	2007-000070	R-CHIP;0ohm,5%,1/10W,TP,1608	1	SA		HL2	2901-001302	FILTER-EMI SMD;20V,0.3A,0pF,2.0x1.2	1	SA	
						HL3	2901-001302	FILTER-EMI SMD;20V,0.3A,0pF,2.0x1.2	1	SA	
DR4	2007-000113	R-CHIP;33ohm,5%,1/10W,TP,1608	1	SA		HL4	2901-001302	FILTER-EMI SMD;20V,0.3A,0pF,2.0x1.2	1	SA	
DR40	2007-000070	R-CHIP;0ohm,5%,1/10W,TP,1608	1	SA		HL5	3301-001495	BEAD-SMD;120ohm,2012,2500mA,TP,115o	1	SA	
DR41	2007-000084	R-CHIP;4.7Kohm,5%,1/10W,TP,1608	1	SA		HL6	3301-001495	BEAD-SMD;120ohm,2012,2500mA,TP,115o	1	SA	
DR42	2007-000082	R-CHIP;3.3Kohm,5%,1/10W,TP,1608	1	SA							
DR43	2007-000082	R-CHIP;3.3Kohm,5%,1/10W,TP,1608	1	SA							
DR44	2007-000113	R-CHIP;33ohm,5%,1/10W,TP,1608	1	SA							
DR5	2007-000113	R-CHIP;33ohm,5%,1/10W,TP,1608	1	SA							
DR6	2007-000113	R-CHIP;33ohm,5%,1/10W,TP,1608	1	SA							
DR7	2007-000113	R-CHIP;33ohm,5%,1/10W,TP,1608	1	SA							
DR8	2007-000113	R-CHIP;33ohm,5%,1/10W,TP,1608	1	SA							
DR9	2007-000113	R-CHIP;33ohm,5%,1/10W,TP,1608	1	SA							

Exploded View & Part List

Loc. No.	Part No.	Description;Specification	Q'ty	SNA	Remark	Loc. No.	Part No.	Description;Specification	Q'ty	SNA	Remark
HL7	3301-001495	BEAD-SMD;120ohm,2012,2500mA,TP,115o	1	SA		JL02	2703-002238	INDUCTOR-SMD;1UH,5%,2012	1	SA	
HL8	3301-001495	BEAD-SMD;120ohm,2012,2500mA,TP,115o	1	SA		JL03	2703-002238	INDUCTOR-SMD;1UH,5%,2012	1	SA	
HMQ1	0504-000156	TR-DIGITAL;-KSR2103,PNP,200MW,22K/22	1	SA		JL04	2703-002238	INDUCTOR-SMD;1UH,5%,2012	1	SA	
HMQ2	0504-000128	TR-DIGITAL;-NPN,200MW,22K/22K,SOT-	1	SA		JL05	2703-002238	INDUCTOR-SMD;1UH,5%,2012	1	SA	
HMQ3	0501-002184	TR-SMALL SIGNAL;KTD1304,NPN,200mW,S	1	SA		KAC10	2402-001049	C-AL,SMD;10uF,20%,16V,GP,TP,3.3x3.3	1	SA	
HMQ4	0501-002184	TR-SMALL SIGNAL;KTD1304,NPN,200mW,S	1	SA		KAC2	2402-000130	C-AL,SMD;2.2uF,20%,50V,GP,TP,4.3x4.	1	SA	
HMR1	2007-000076	R-CHIP;330ohm,5%,1/10W,TP,1608	1	SA		KAC3	2402-000130	C-AL,SMD;2.2uF,20%,50V,GP,TP,4.3x4.	1	SA	
HMR2	2007-000075	R-CHIP;220ohm,5%,1/10W,TP,1608	1	SA		KAC4	2203-005148	C-CER,CHIP;100nF,10%,16V,X7R,TP,160	1	SA	
HMR3	2007-000075	R-CHIP;220ohm,5%,1/10W,TP,1608	1	SA		KAC5	2203-005148	C-CER,CHIP;100nF,10%,16V,X7R,TP,160	1	SA	
HMR4	2007-000102	R-CHIP;100Kohm,5%,1/10W,TP,1608	1	SA		KAC6	2402-001049	C-AL,SMD;10uF,20%,16V,GP,TP,3.3x3.3	1	SA	
HMR5	2007-000102	R-CHIP;100Kohm,5%,1/10W,TP,1608	1	SA		KAC8	2402-001049	C-AL,SMD;10uF,20%,16V,GP,TP,3.3x3.3	1	SA	
HMR6	2007-000102	R-CHIP;100Kohm,5%,1/10W,TP,1608	1	SA		KAC9	2402-000130	C-AL,SMD;2.2uF,20%,50V,GP,TP,4.3x4.	1	SA	
HPC1	2203-005148	C-CER,CHIP;100nF,10%,16V,X7R,TP,160	1	SA		KAR1	2007-000125	R-CHIP;3.9Kohm,5%,1/10W,TP,1608	1	SA	
HPC2	2203-000531	C-CER,CHIP;2.7nF,10%,50V,X7R,1608	1	SA		KAR10	2007-000084	R-CHIP;4.7Kohm,5%,1/10W,TP,1608	1	SA	
HPC3	2203-000236	C-CER,CHIP;0.1nF,5%,50V,C0G,1608	1	SA		KAR12	2007-000074	R-CHIP;100ohm,5%,1/10W,TP,1608	1	SA	
HPC4	2203-000257	C-CER,CHIP;10nF,10%,50V,X7R,TP,1608	1	SA		KAR13	2007-000074	R-CHIP;100ohm,5%,1/10W,TP,1608	1	SA	
HPC5	2203-000531	C-CER,CHIP;2.7nF,10%,50V,X7R,1608	1	SA		KAR14	2007-000074	R-CHIP;100ohm,5%,1/10W,TP,1608	1	SA	
HPC6	2203-000236	C-CER,CHIP;0.1nF,5%,50V,C0G,1608	1	SA		KAR15	2007-000074	R-CHIP;100ohm,5%,1/10W,TP,1608	1	SA	
HPD5	0401-001090	DIODE-SWITCHING;1SS355,80V,100MA,SO	1	SA		KAR16	2007-000081	R-CHIP;2.7Kohm,5%,1/10W,TP,1608	1	SA	
HPD6	0401-001090	DIODE-SWITCHING;1SS355,80V,100MA,SO	1	SA		KAR17	2007-000122	R-CHIP;1.2Kohm,5%,1/10W,TP,1608	1	SA	
HPL1	2703-000275	INDUCTOR-SMD;33UH,10%,2012	1	SA		KAR2	2007-000125	R-CHIP;3.9Kohm,5%,1/10W,TP,1608	1	SA	
HPL3	2703-000275	INDUCTOR-SMD;33UH,10%,2012	1	SA		KAR5	2007-000084	R-CHIP;4.7Kohm,5%,1/10W,TP,1608	1	SA	
HQ1	0504-000128	TR-DIGITAL;-NPN,200MW,22K/22K,SOT-	1	SA		KAR8	2007-000084	R-CHIP;4.7Kohm,5%,1/10W,TP,1608	1	SA	
HQ2	0505-000110	FET-SILICON;2N7002,N,60V,115mA,7.5o	1	SA		KAR9	2007-000084	R-CHIP;4.7Kohm,5%,1/10W,TP,1608	1	SA	
HQ3	0505-000110	FET-SILICON;2N7002,N,60V,115mA,7.5o	1	SA		KC1	2402-000008	C-AL,SMD;47uF,20%,16V,GP,TP,6.6x6.6	1	SA	
HR1	2007-000074	R-CHIP;100ohm,5%,1/10W,TP,1608	1	SA		KC10	2203-001052	C-CER,CHIP;0.56nF,10%,50V,X7R,TP,16	1	SA	
HR10	2007-000729	R-CHIP;300ohm,5%,1/10W,TP,1608	1	SA		KC11	2203-000715	C-CER,CHIP;3.3nF,10%,50V,X7R,1608	1	SA	
HR11	2007-000074	R-CHIP;100ohm,5%,1/10W,TP,1608	1	SA		KC12	2203-000715	C-CER,CHIP;3.3nF,10%,50V,X7R,1608	1	SA	
HR12	2007-000074	R-CHIP;100ohm,5%,1/10W,TP,1608	1	SA		KC16	2402-000173	C-AL,SMD;4.7uF,20%,35V,GP,TP,4.3x4.	1	SA	
HR13	2007-000503	R-CHIP;2.2ohm,5%,1/10W,TP,1608	1	SA		KC18	2203-000257	C-CER,CHIP;10nF,10%,50V,X7R,TP,1608	1	SA	
HR14	2007-000503	R-CHIP;2.2ohm,5%,1/10W,TP,1608	1	SA		KC19	2402-001049	C-AL,SMD;10uF,20%,16V,GP,TP,3.3x3.3	1	SA	
HR15	2007-000503	R-CHIP;2.2ohm,5%,1/10W,TP,1608	1	SA		KC2	2203-005249	C-CER,CHIP;100nF,10%,50V,X7R,1608	1	SA	
HR16	2007-000503	R-CHIP;2.2ohm,5%,1/10W,TP,1608	1	SA		KC3	2203-005249	C-CER,CHIP;100nF,10%,50V,X7R,1608	1	SA	
HR17	2007-000503	R-CHIP;2.2ohm,5%,1/10W,TP,1608	1	SA		KC4	2203-005249	C-CER,CHIP;100nF,10%,50V,X7R,1608	1	SA	
HR18	2007-000503	R-CHIP;2.2ohm,5%,1/10W,TP,1608	1	SA		KC5	2402-000008	C-AL,SMD;47uF,20%,16V,GP,TP,6.6x6.6	1	SA	
HR19	2007-000503	R-CHIP;2.2ohm,5%,1/10W,TP,1608	1	SA		KC6	2203-005249	C-CER,CHIP;100nF,10%,50V,X7R,1608	1	SA	
HR2	2007-000074	R-CHIP;100ohm,5%,1/10W,TP,1608	1	SA		KC7	2203-005342	C-CER,CHIP;82nF,10%,16V,X7R,TP,1608	1	SA	
HR20	2007-000503	R-CHIP;2.2ohm,5%,1/10W,TP,1608	1	SA		KC8	2203-005342	C-CER,CHIP;82nF,10%,16V,X7R,TP,1608	1	SA	
HR21	2007-000070	R-CHIP;0ohm,5%,1/10W,TP,1608	1	SA		KC9	2203-001052	C-CER,CHIP;0.56nF,10%,50V,X7R,TP,16	1	SA	
HR22	2007-000070	R-CHIP;0ohm,5%,1/10W,TP,1608	1	SA		KD1	0403-001008	DIODE-ZENER;RLZ5.6A,5.6V,5.28-5.55V	1	SA	
HR23	2007-000084	R-CHIP;4.7Kohm,5%,1/10W,TP,1608	1	SA		KQ1	0504-000156	TR-DIGITAL;-KSR2103,PNP,200MW,22K/22	1	SA	
HR24	2007-000729	R-CHIP;300ohm,5%,1/10W,TP,1608	1	SA		KQ2	0504-000156	TR-DIGITAL;-KSR2103,PNP,200MW,22K/22	1	SA	
HR25	2007-000729	R-CHIP;300ohm,5%,1/10W,TP,1608	1	SA		KQ3	0501-000341	TR-SMALL SIGNAL;KSC1623-L,NPN,200mW	1	SA	
HR26	2007-000075	R-CHIP;220ohm,5%,1/10W,TP,1608	1	SA		KQ4	0501-000341	TR-SMALL SIGNAL;KSC1623-L,NPN,200mW	1	SA	
HR27	2007-000077	R-CHIP;470ohm,5%,1/10W,TP,1608	1	SA		KQ5	0501-000341	TR-SMALL SIGNAL;KSC1623-L,NPN,200mW	1	SA	
HR28	2007-000729	R-CHIP;300ohm,5%,1/10W,TP,1608	1	SA		KR100	2007-000087	R-CHIP;6.8Kohm,5%,1/10W,TP,1608	1	SA	
HR29	2007-000729	R-CHIP;300ohm,5%,1/10W,TP,1608	1	SA		KR101	2007-000087	R-CHIP;6.8Kohm,5%,1/10W,TP,1608	1	SA	
HR3	2007-000084	R-CHIP;4.7Kohm,5%,1/10W,TP,1608	1	SA		KR102	2007-000087	R-CHIP;6.8Kohm,5%,1/10W,TP,1608	1	SA	
HR31	2007-000097	R-CHIP;47Kohm,5%,1/10W,TP,1608	1	SA		KR103	2007-000087	R-CHIP;6.8Kohm,5%,1/10W,TP,1608	1	SA	
HR4	2007-000084	R-CHIP;4.7Kohm,5%,1/10W,TP,1608	1	SA		KR104	2007-000078	R-CHIP;1Kohm,5%,1/10W,TP,1608	1	SA	
HR5	2007-000078	R-CHIP;1Kohm,5%,1/10W,TP,1608	1	SA		KR105	2007-001179	R-CHIP;8.2Kohm,5%,1/10W,TP,1608	1	SA	
HR6	2007-000097	R-CHIP;47Kohm,5%,1/10W,TP,1608	1	SA		KR106	2007-000090	R-CHIP;10Kohm,5%,1/10W,TP,1608	1	SA	
HR7	2007-000084	R-CHIP;4.7Kohm,5%,1/10W,TP,1608	1	SA		KR107	2007-000092	R-CHIP;15Kohm,5%,1/10W,TP,1608	1	SA	
HR8	2007-000084	R-CHIP;4.7Kohm,5%,1/10W,TP,1608	1	SA		KR108	2007-000090	R-CHIP;10Kohm,5%,1/10W,TP,1608	1	SA	
HR9	2007-000084	R-CHIP;4.7Kohm,5%,1/10W,TP,1608	1	SA		KR112	2007-000090	R-CHIP;10Kohm,5%,1/10W,TP,1608	1	SA	
JCNO1	3708-001981	CONNECTOR-FPC/FFC/PIC;28P,1mm,SMD-S	1	SA		KR113	2007-000090	R-CHIP;10Kohm,5%,1/10W,TP,1608	1	SA	
JIC01	1204-001978	IC-VIDEO PROCESS;LA73054,-,36P,-,SS	1	SA		KR114	2007-000092	R-CHIP;15Kohm,5%,1/10W,TP,1608	1	SA	
JL01	3301-001495	BEAD-SMD;120ohm,2012,2500mA,TP,115o	1	SA		KR115	2007-000086	R-CHIP;5.6Kohm,5%,1/10W,TP,1608	1	SA	

Loc. No.	Part No.	Description;Specification	Q'ty	SNA	Remark	Loc. No.	Part No.	Description;Specification	Q'ty	SNA	Remark
KR120	2007-000458	R-CHIP;18Kohm,5%,1/10W,TP,1608	1		SA						
KR121	2007-000124	R-CHIP;2.2Kohm,5%,1/10W,TP,1608	1		SA						
KR124	2007-000084	R-CHIP;4.7Kohm,5%,1/10W,TP,1608	1		SA	MC49	2203-005148	C-CER,CHIP;100nF,10%,16V,X7R,TP,160	1		SA
KR125	2007-000070	R-CHIP;0ohm,5%,1/10W,TP,1608	1		SA	MC51	2203-005148	C-CER,CHIP;100nF,10%,16V,X7R,TP,160	1		SA
						MC52	2203-005148	C-CER,CHIP;100nF,10%,16V,X7R,TP,160	1		SA
KR126	2007-000084	R-CHIP;4.7Kohm,5%,1/10W,TP,1608	1		SA	MC53	2203-000681	C-CER,CHIP;0.027nF,5%,50V,COG,1608	1		SA
KR127	2007-000082	R-CHIP;3.3Kohm,5%,1/10W,TP,1608	1		SA	MC54	2203-000646	C-CER,CHIP;0.024nF,5%,50V,COG,TP,16	1		SA
KR128	2007-000087	R-CHIP;6.8Kohm,5%,1/10W,TP,1608	1		SA	MC55	2203-005148	C-CER,CHIP;100nF,10%,16V,X7R,TP,160	1		SA
MB01	3301-001495	BEAD-SMD;120ohm,2012,2500mA,TP,1150	1		SA	MC56	2203-005148	C-CER,CHIP;100nF,10%,16V,X7R,TP,160	1		SA
MB02	3301-001495	BEAD-SMD;120ohm,2012,2500mA,TP,1150	1		SA	MC57	2203-005148	C-CER,CHIP;100nF,10%,16V,X7R,TP,160	1		SA
						MC58	2203-005148	C-CER,CHIP;100nF,10%,16V,X7R,TP,160	1		SA
MB03	3301-001495	BEAD-SMD;120ohm,2012,2500mA,TP,1150	1		SA	MC59	2203-000062	C-CER,CHIP;47nF,+80-20%,50V,Y5V,160	1		SA
MB04	3301-001495	BEAD-SMD;120ohm,2012,2500mA,TP,1150	1		SA						
MB07	3301-001495	BEAD-SMD;120ohm,2012,2500mA,TP,1150	1		SA	MC60	2402-001042	C-AL,SMD;100uF,20%,16V,GP,TP,6.6x6.	1		SA
MB08	3301-001495	BEAD-SMD;120ohm,2012,2500mA,TP,1150	1		SA	MC61	2402-001042	C-AL,SMD;100uF,20%,16V,GP,TP,6.6x6.	1		SA
MB10	3301-001495	BEAD-SMD;120ohm,2012,2500mA,TP,1150	1		SA	MC62	2203-005148	C-CER,CHIP;100nF,10%,16V,X7R,TP,160	1		SA
						MC63	2203-005148	C-CER,CHIP;100nF,10%,16V,X7R,TP,160	1		SA
MC01	2402-001096	C-AL,SMD;220UF,20%,16V,GP,TP,6.6X6.	1		SA	MC64	2203-005148	C-CER,CHIP;100nF,10%,16V,X7R,TP,160	1		SA
MC02	2203-005148	C-CER,CHIP;100nF,10%,16V,X7R,TP,160	1		SA						
MC03	2203-005148	C-CER,CHIP;100nF,10%,16V,X7R,TP,160	1		SA	MC65	2402-001042	C-AL,SMD;100uF,20%,16V,GP,TP,6.6x6.	1		SA
MC04	2203-005148	C-CER,CHIP;100nF,10%,16V,X7R,TP,160	1		SA	MC66	2203-005148	C-CER,CHIP;100nF,10%,16V,X7R,TP,160	1		SA
MC05	2203-000280	C-CER,CHIP;0.01nF,0.5pF,50V,COG,160	1		SA	MC67	2203-005148	C-CER,CHIP;100nF,10%,16V,X7R,TP,160	1		SA
						MC68	2203-005148	C-CER,CHIP;100nF,10%,16V,X7R,TP,160	1		SA
MC06	2203-000280	C-CER,CHIP;0.01nF,0.5pF,50V,COG,160	1		SA	MC69	2203-005148	C-CER,CHIP;100nF,10%,16V,X7R,TP,160	1		SA
MC07	2402-001096	C-AL,SMD;220UF,20%,16V,GP,TP,6.6X6.	1		SA						
MC08	2203-005148	C-CER,CHIP;100nF,10%,16V,X7R,TP,160	1		SA	MC70	2203-005148	C-CER,CHIP;100nF,10%,16V,X7R,TP,160	1		SA
MC09	2203-005148	C-CER,CHIP;100nF,10%,16V,X7R,TP,160	1		SA	MC71	2203-005148	C-CER,CHIP;100nF,10%,16V,X7R,TP,160	1		SA
MC10	2203-005148	C-CER,CHIP;100nF,10%,16V,X7R,TP,160	1		SA	MC72	2203-005148	C-CER,CHIP;100nF,10%,16V,X7R,TP,160	1		SA
						MC77	2203-005148	C-CER,CHIP;100nF,10%,16V,X7R,TP,160	1		SA
MC11	2203-005148	C-CER,CHIP;100nF,10%,16V,X7R,TP,160	1		SA	MC78	2203-005148	C-CER,CHIP;100nF,10%,16V,X7R,TP,160	1		SA
MC12	2402-000136	C-AL,SMD;22uF,20%,16V,GP,TP,5.3x5.3	1		SA						
MC13	2203-000236	C-CER,CHIP;0.1nF,5%,50V,COG,1608	1		SA	MC79	2203-005148	C-CER,CHIP;100nF,10%,16V,X7R,TP,160	1		SA
MC14	2203-001126	C-CER,CHIP;0.68nF,10%,50V,X7R,1608	1		SA	MC80	2402-001042	C-AL,SMD;100uF,20%,16V,GP,TP,6.6x6.	1		SA
MC15	2203-000257	C-CER,CHIP;10nF,10%,50V,X7R,TP,1608	1		SA	MC81	2203-005148	C-CER,CHIP;100nF,10%,16V,X7R,TP,160	1		SA
						MC82	2203-005148	C-CER,CHIP;100nF,10%,16V,X7R,TP,160	1		SA
MC16	2402-000136	C-AL,SMD;22uF,20%,16V,GP,TP,5.3x5.3	1		SA	MC83	2203-005148	C-CER,CHIP;100nF,10%,16V,X7R,TP,160	1		SA
MC17	2203-001652	C-CER,CHIP;470nF,+80-20%,16V,Y5V,16	1		SA						
MC18	2203-000257	C-CER,CHIP;10nF,10%,50V,X7R,TP,1608	1		SA	MC84	2203-005148	C-CER,CHIP;100nF,10%,16V,X7R,TP,160	1		SA
MC19	2203-001652	C-CER,CHIP;470nF,+80-20%,16V,Y5V,16	1		SA	MC85	2203-005148	C-CER,CHIP;100nF,10%,16V,X7R,TP,160	1		SA
MC20	2203-000257	C-CER,CHIP;10nF,10%,50V,X7R,TP,1608	1		SA	MC86	2203-005148	C-CER,CHIP;100nF,10%,16V,X7R,TP,160	1		SA
						MC87	2203-005148	C-CER,CHIP;100nF,10%,16V,X7R,TP,160	1		SA
MC21	2402-001049	C-AL,SMD;10uF,20%,16V,GP,TP,3.3x3.3	1		SA	MC88	2203-005148	C-CER,CHIP;100nF,10%,16V,X7R,TP,160	1		SA
MC22	2203-001126	C-CER,CHIP;0.68nF,10%,50V,X7R,1608	1		SA						
MC23	2203-005148	C-CER,CHIP;100nF,10%,16V,X7R,TP,160	1		SA	MC89	2203-005148	C-CER,CHIP;100nF,10%,16V,X7R,TP,160	1		SA
MC24	2402-000136	C-AL,SMD;22uF,20%,16V,GP,TP,5.3x5.3	1		SA	MC90	2402-000130	C-AL,SMD;2.2uF,20%,50V,GP,TP,4.3x4.	1		SA
MC25	2203-005148	C-CER,CHIP;100nF,10%,16V,X7R,TP,160	1		SA	MC91	2402-000130	C-AL,SMD;2.2uF,20%,50V,GP,TP,4.3x4.	1		SA
						MC92	2203-000189	C-CER,CHIP;100nF,+80-20%,25V,Y5V,16	1		SA
MC26	2203-005148	C-CER,CHIP;100nF,10%,16V,X7R,TP,160	1		SA	MC93	2402-000008	C-AL,SMD;47uF,20%,16V,GP,TP,6.6x6.6	1		SA
MC27	2402-000136	C-AL,SMD;22uF,20%,16V,GP,TP,5.3x5.3	1		SA						
MC28	2203-005148	C-CER,CHIP;100nF,10%,16V,X7R,TP,160	1		SA	MC94	2402-001009	C-AL,SMD;100uF,20%,6.3V,GP,TP,5.3x5	1		SA
MC29	2203-005148	C-CER,CHIP;100nF,10%,16V,X7R,TP,160	1		SA	MC95	2402-001009	C-AL,SMD;100uF,20%,6.3V,GP,TP,5.3x5	1		SA
MC30	2203-005148	C-CER,CHIP;100nF,10%,16V,X7R,TP,160	1		SA	MC96	2402-001009	C-AL,SMD;100uF,20%,6.3V,GP,TP,5.3x5	1		SA
						MCON1	3708-001417	CONNECTOR-FPC/FFC/PIC;30P,1mm,SMD-S	1		SA
MC31	2203-005148	C-CER,CHIP;100nF,10%,16V,X7R,TP,160	1		SA	MCON2	3711-005960	HEADER-BOARD TO CABLE;BOX,15P,1R,2m	1		SA
MC32	2203-000440	C-CER,CHIP;1nF,10%,50V,X7R,1608	1		SA						
MC33	2203-005148	C-CER,CHIP;100nF,10%,16V,X7R,TP,160	1		SA	MD01	0401-001090	DIODE-SWITCHING;1SS355,80V,100MA,SO	1		SA
MC34	2203-000236	C-CER,CHIP;0.1nF,5%,50V,COG,1608	1		SA	MD04	0401-001090	DIODE-SWITCHING;1SS355,80V,100MA,SO	1		SA
MC35	2203-005148	C-CER,CHIP;100nF,10%,16V,X7R,TP,160	1		SA	MIC1	1204-002847	IC-PAL/NTSC DECODER;ES8391SCC,LQFP	1		SA
						MIC10	0801-002391	IC-CMOS LOGIC;74LCX00,NAND GATE,TSS	1		SA
MC37	2203-000280	C-CER,CHIP;0.01nF,0.5pF,50V,COG,160	1		SA	MIC2	1105-001573	IC-DRAM;K4S281632,-,128Mbit,8Mx16Bi	1		SA
MC38	2203-002398	C-CER,CHIP;22nF,10%,50V,X7R,1608	1		SA						
MC39	2402-000136	C-AL,SMD;22uF,20%,16V,GP,TP,5.3x5.3	1		SA	MIC3	1107-001600	IC-NOR FLASH;MX25L1605A,16Mbit,2Mx8	1		SA
MC42	2203-005065	C-CER,CHIP;1000nF,+80-20%,10V,Y5V,1	1		SA	MIC5	0801-002683	IC-CMOS LOGIC;74HCT245,TRANSCEIVER,	1		SA
MC43	2203-000888	C-CER,CHIP;4.7nF,10%,50V,X7R,1608	1		SA	MIC6	1103-001333	IC-EEPROM;24C08A,1Kx8Bit,SOP,8P,5x4	1		SA
						ML15	3301-001495	BEAD-SMD;120ohm,2012,2500mA,TP,1150	1		SA
MC44	2203-000440	C-CER,CHIP;1nF,10%,50V,X7R,1608	1		SA	ML20	3301-001495	BEAD-SMD;120ohm,2012,2500mA,TP,1150	1		SA
MC45	2203-000257	C-CER,CHIP;10nF,10%,50V,X7R,TP,1608	1		SA						
MC46	2203-005015	C-CER,CHIP;150nF,+80-20%,16V,Y5V,16	1		SA	ML41	3301-000314	BEAD-SMD;120ohm,1.6x0.8x0.8mm,-,-,-	1		SA
MC47	2203-001086	C-CER,CHIP;0.0050nF,0.25pF,50V,NP0	1		SA	ML43	3301-000314	BEAD-SMD;120ohm,1.6x0.8x0.8mm,-,-,-	1		SA
MC48	2203-005148	C-CER,CHIP;100nF,10%,16V,X7R,TP,160	1		SA	ML44	3301-000314	BEAD-SMD;120ohm,1.6x0.8x0.8mm,-,-,-	1		SA

Exploded View & Part List

Loc. No.	Part No.	Description;Specification	Q'ty	SNA	Remark	Loc. No.	Part No.	Description;Specification	Q'ty	SNA	Remark
ML45	3301-000314	BEAD-SMD;120ohm,1.6x0.8x0.8mm,-,-,-	1		SA	MR153	2007-000113	R-CHIP;33ohm,5%,1/10W,TP,1608	1		SA
ML46	3301-000314	BEAD-SMD;120ohm,1.6x0.8x0.8mm,-,-,-	1		SA	MR154	2007-000113	R-CHIP;33ohm,5%,1/10W,TP,1608	1		SA
ML47	3301-000314	BEAD-SMD;120ohm,1.6x0.8x0.8mm,-,-,-	1		SA	MR155	2007-000113	R-CHIP;33ohm,5%,1/10W,TP,1608	1		SA
ML48	3301-000314	BEAD-SMD;120ohm,1.6x0.8x0.8mm,-,-,-	1		SA	MR156	2007-000113	R-CHIP;33ohm,5%,1/10W,TP,1608	1		SA
ML5	3301-001495	BEAD-SMD;120ohm,2012,2500mA,TP,115o	1		SA	MR157	2007-000084	R-CHIP;4.7Kohm,5%,1/10W,TP,1608	1		SA
ML50	3301-001495	BEAD-SMD;120ohm,2012,2500mA,TP,115o	1		SA	MR158	2007-000084	R-CHIP;4.7Kohm,5%,1/10W,TP,1608	1		SA
ML6	3301-001495	BEAD-SMD;120ohm,2012,2500mA,TP,115o	1		SA	MR159	2007-000079	R-CHIP;1.8Kohm,5%,1/10W,TP,1608	1		SA
MR01	2007-000094	R-CHIP;22Kohm,5%,1/10W,TP,1608	1		SA	MR16	2007-000090	R-CHIP;10Kohm,5%,1/10W,TP,1608	1		SA
MR02	2007-000087	R-CHIP;6.8Kohm,5%,1/10W,TP,1608	1		SA	MR160	2007-000075	R-CHIP;220ohm,5%,1/10W,TP,1608	1		SA
MR03	2007-000070	R-CHIP;0ohm,5%,1/10W,TP,1608	1		SA	MR161	2007-000075	R-CHIP;220ohm,5%,1/10W,TP,1608	1		SA
MR04	2007-000070	R-CHIP;0ohm,5%,1/10W,TP,1608	1		SA	MR162	2007-000097	R-CHIP;47Kohm,5%,1/10W,TP,1608	1		SA
MR06	2007-000070	R-CHIP;0ohm,5%,1/10W,TP,1608	1		SA	MR163	2007-000097	R-CHIP;47Kohm,5%,1/10W,TP,1608	1		SA
MR07	2007-000070	R-CHIP;0ohm,5%,1/10W,TP,1608	1		SA	MR166	2007-000097	R-CHIP;47Kohm,5%,1/10W,TP,1608	1		SA
MR08	2007-000070	R-CHIP;0ohm,5%,1/10W,TP,1608	1		SA	MR167	2007-000113	R-CHIP;33ohm,5%,1/10W,TP,1608	1		SA
MR09	2007-000070	R-CHIP;0ohm,5%,1/10W,TP,1608	1		SA	MR168	2007-000113	R-CHIP;33ohm,5%,1/10W,TP,1608	1		SA
MR10	2007-000070	R-CHIP;0ohm,5%,1/10W,TP,1608	1		SA	MR169	2007-000113	R-CHIP;33ohm,5%,1/10W,TP,1608	1		SA
MR100	2011-000816	R-NETWORK;100ohm,5%,1/16W,L,CHIP,8P	1		SA	MR17	2007-000092	R-CHIP;15Kohm,5%,1/10W,TP,1608	1		SA
MR101	2007-000074	R-CHIP;100ohm,5%,1/10W,TP,1608	1		SA	MR170	2007-000074	R-CHIP;100ohm,5%,1/10W,TP,1608	1		SA
MR102	2007-000113	R-CHIP;33ohm,5%,1/10W,TP,1608	1		SA	MR171	2007-000074	R-CHIP;100ohm,5%,1/10W,TP,1608	1		SA
MR108	2007-000102	R-CHIP;100Kohm,5%,1/10W,TP,1608	1		SA	MR172	2007-000074	R-CHIP;100ohm,5%,1/10W,TP,1608	1		SA
MR109	2011-000816	R-NETWORK;100ohm,5%,1/16W,L,CHIP,8P	1		SA	MR173	2007-000074	R-CHIP;100ohm,5%,1/10W,TP,1608	1		SA
MR11	2007-000070	R-CHIP;0ohm,5%,1/10W,TP,1608	1		SA	MR174	2007-000113	R-CHIP;33ohm,5%,1/10W,TP,1608	1		SA
MR110	2011-000816	R-NETWORK;100ohm,5%,1/16W,L,CHIP,8P	1		SA	MR175	2007-000113	R-CHIP;33ohm,5%,1/10W,TP,1608	1		SA
MR111	2007-000113	R-CHIP;33ohm,5%,1/10W,TP,1608	1		SA	MR176	2007-000113	R-CHIP;33ohm,5%,1/10W,TP,1608	1		SA
MR112	2007-000113	R-CHIP;33ohm,5%,1/10W,TP,1608	1		SA	MR18	2007-000092	R-CHIP;15Kohm,5%,1/10W,TP,1608	1		SA
MR113	2007-000113	R-CHIP;33ohm,5%,1/10W,TP,1608	1		SA	MR181	2007-000074	R-CHIP;100ohm,5%,1/10W,TP,1608	1		SA
MR114	2007-000084	R-CHIP;4.7Kohm,5%,1/10W,TP,1608	1		SA	MR183	2007-000097	R-CHIP;47Kohm,5%,1/10W,TP,1608	1		SA
MR115	2007-000133	R-CHIP;330Kohm,5%,1/10W,TP,1608	1		SA	MR187	2007-000074	R-CHIP;100ohm,5%,1/10W,TP,1608	1		SA
MR116	2007-000552	R-CHIP;20ohm,5%,1/10W,TP,1608	1		SA	MR188	2007-000090	R-CHIP;10Kohm,5%,1/10W,TP,1608	1		SA
MR117	2007-000552	R-CHIP;20ohm,5%,1/10W,TP,1608	1		SA	MR19	2007-000552	R-CHIP;20ohm,5%,1/10W,TP,1608	1		SA
MR120	2007-000113	R-CHIP;33ohm,5%,1/10W,TP,1608	1		SA	MR190	2007-000084	R-CHIP;4.7Kohm,5%,1/10W,TP,1608	1		SA
MR121	2007-000118	R-CHIP;390ohm,5%,1/10W,TP,1608	1		SA	MR191	2007-000075	R-CHIP;220ohm,5%,1/10W,TP,1608	1		SA
MR122	2007-000070	R-CHIP;0ohm,5%,1/10W,TP,1608	1		SA	MR20	2007-000552	R-CHIP;20ohm,5%,1/10W,TP,1608	1		SA
MR124	2007-000084	R-CHIP;4.7Kohm,5%,1/10W,TP,1608	1		SA	MR22	2007-000078	R-CHIP;1Kohm,5%,1/10W,TP,1608	1		SA
MR125	2007-000074	R-CHIP;100ohm,5%,1/10W,TP,1608	1		SA	MR23	2007-000078	R-CHIP;1Kohm,5%,1/10W,TP,1608	1		SA
MR126	2007-000074	R-CHIP;100ohm,5%,1/10W,TP,1608	1		SA	MR24	2007-000098	R-CHIP;56Kohm,5%,1/10W,TP,1608	1		SA
MR127	2007-000074	R-CHIP;100ohm,5%,1/10W,TP,1608	1		SA	MR25	2007-000092	R-CHIP;15Kohm,5%,1/10W,TP,1608	1		SA
MR128	2007-000113	R-CHIP;33ohm,5%,1/10W,TP,1608	1		SA	MR26	2007-000130	R-CHIP;39Kohm,5%,1/10W,TP,1608	1		SA
MR129	2007-000113	R-CHIP;33ohm,5%,1/10W,TP,1608	1		SA	MR27	2007-000098	R-CHIP;56Kohm,5%,1/10W,TP,1608	1		SA
MR13	2007-000074	R-CHIP;100ohm,5%,1/10W,TP,1608	1		SA	MR28	2007-000078	R-CHIP;1Kohm,5%,1/10W,TP,1608	1		SA
MR130	2007-000113	R-CHIP;33ohm,5%,1/10W,TP,1608	1		SA	MR29	2007-000070	R-CHIP;0ohm,5%,1/10W,TP,1608	1		SA
MR131	2007-000084	R-CHIP;4.7Kohm,5%,1/10W,TP,1608	1		SA	MR30	2007-000070	R-CHIP;0ohm,5%,1/10W,TP,1608	1		SA
MR132	2007-000090	R-CHIP;10Kohm,5%,1/10W,TP,1608	1		SA	MR31	2007-000070	R-CHIP;0ohm,5%,1/10W,TP,1608	1		SA
MR133	2007-000081	R-CHIP;2.7Kohm,5%,1/10W,TP,1608	1		SA	MR32	2007-000070	R-CHIP;0ohm,5%,1/10W,TP,1608	1		SA
MR134	2007-000078	R-CHIP;1Kohm,5%,1/10W,TP,1608	1		SA	MR41	2007-000070	R-CHIP;0ohm,5%,1/10W,TP,1608	1		SA
MR136	2007-000090	R-CHIP;10Kohm,5%,1/10W,TP,1608	1		SA	MR42	2007-000070	R-CHIP;0ohm,5%,1/10W,TP,1608	1		SA
MR139	2007-000084	R-CHIP;4.7Kohm,5%,1/10W,TP,1608	1		SA	MR43	2007-000081	R-CHIP;2.7Kohm,5%,1/10W,TP,1608	1		SA
MR14	2007-000074	R-CHIP;100ohm,5%,1/10W,TP,1608	1		SA	MR44	2007-000081	R-CHIP;2.7Kohm,5%,1/10W,TP,1608	1		SA
MR140	2007-000309	R-CHIP;10ohm,5%,1/10W,TP,1608	1		SA	MR45	2007-000084	R-CHIP;4.7Kohm,5%,1/10W,TP,1608	1		SA
MR141	2007-000309	R-CHIP;10ohm,5%,1/10W,TP,1608	1		SA	MR46	2007-000084	R-CHIP;4.7Kohm,5%,1/10W,TP,1608	1		SA
MR142	2007-000309	R-CHIP;10ohm,5%,1/10W,TP,1608	1		SA	MR47	2007-000113	R-CHIP;33ohm,5%,1/10W,TP,1608	1		SA
MR143	2007-000309	R-CHIP;10ohm,5%,1/10W,TP,1608	1		SA	MR48	2007-000121	R-CHIP;820ohm,5%,1/10W,TP,1608	1		SA
MR144	2007-000309	R-CHIP;10ohm,5%,1/10W,TP,1608	1		SA	MR49	2007-000070	R-CHIP;0ohm,5%,1/10W,TP,1608	1		SA
MR149	2007-000070	R-CHIP;0ohm,5%,1/10W,TP,1608	1		SA	MR50	2007-000070	R-CHIP;0ohm,5%,1/10W,TP,1608	1		SA
MR15	2007-000070	R-CHIP;0ohm,5%,1/10W,TP,1608	1		SA	MR51	2007-000084	R-CHIP;4.7Kohm,5%,1/10W,TP,1608	1		SA
MR150	2007-000070	R-CHIP;0ohm,5%,1/10W,TP,1608	1		SA	MR52	2007-000084	R-CHIP;4.7Kohm,5%,1/10W,TP,1608	1		SA
MR151	2007-000070	R-CHIP;0ohm,5%,1/10W,TP,1608	1		SA	MR53	2007-000084	R-CHIP;4.7Kohm,5%,1/10W,TP,1608	1		SA
MR152	2007-000113	R-CHIP;33ohm,5%,1/10W,TP,1608	1		SA	MR54	2007-000070	R-CHIP;0ohm,5%,1/10W,TP,1608	1		SA
						MR55	2007-000070	R-CHIP;0ohm,5%,1/10W,TP,1608	1		SA

Loc. No.	Part No.	Description;Specification	Q'ty	SNA	Remark	Loc. No.	Part No.	Description;Specification	Q'ty	SNA	Remark
MR56	2007-000070	R-CHIP;0ohm,5%,1/10W,TP,1608	1	SA		RC14	2203-000189	C-CER,CHIP;100nF,+80-20%,25V,Y5V,16	1	SA	
MR57	2007-000070	R-CHIP;0ohm,5%,1/10W,TP,1608	1	SA		RC15	2402-001042	C-AL,SMD;100uF,20%,16V,GP,TP,6.6x6.	1	SA	
MR58	2007-000070	R-CHIP;0ohm,5%,1/10W,TP,1608	1	SA		RC19	2203-000440	C-CER,CHIP;1nF,10%,50V,X7R,1608	1	SA	
MR59	2007-000070	R-CHIP;0ohm,5%,1/10W,TP,1608	1	SA		RC20	2203-000189	C-CER,CHIP;100nF,+80-20%,25V,Y5V,16	1	SA	
MR60	2007-000122	R-CHIP;1.2Kohm,5%,1/10W,TP,1608	1	SA		RC21	2402-001042	C-AL,SMD;100uF,20%,16V,GP,TP,6.6x6.	1	SA	
MR61	2007-000078	R-CHIP;1Kohm,5%,1/10W,TP,1608	1	SA		RC22	2203-000440	C-CER,CHIP;1nF,10%,50V,X7R,1608	1	SA	
MR62	2007-000122	R-CHIP;1.2Kohm,5%,1/10W,TP,1608	1	SA		RC26	2402-000008	C-AL,SMD;47uF,20%,16V,GP,TP,6.6x6.6	1	SA	
MR63	2007-000078	R-CHIP;1Kohm,5%,1/10W,TP,1608	1	SA		RC29	2203-005148	C-CER,CHIP;100nF,10%,16V,X7R,TP,160	1	SA	
MR64	2007-000074	R-CHIP;100ohm,5%,1/10W,TP,1608	1	SA		RCN1	3708-001765	CONNECTOR-FPC/FFC/PIC;24P,0.5mm,SMD	1	SA	
MR65	2007-000074	R-CHIP;100ohm,5%,1/10W,TP,1608	1	SA		RCN2	3708-001878	CONNECTOR-FPC/FFC/PIC;6P,1MM,SMD-A,	1	SA	
MR66	2011-000816	R-NETWORK;100ohm,5%,1/16W,L,CHIP,8P	1	SA		RCN3	3708-002140	CONNECTOR-FPC/FFC/PIC;5P,1MM,SMD-S,	1	SA	
MR67	2011-000816	R-NETWORK;100ohm,5%,1/16W,L,CHIP,8P	1	SA		RD1	0407-000116	DIODE-ARRAY;KDS181, DAP202K,80V,100	1	SA	
MR68	2011-000816	R-NETWORK;100ohm,5%,1/16W,L,CHIP,8P	1	SA		RD2	0401-001090	DIODE-SWITCHING;1SS355,80V,100MA,SO	1	SA	
MR69	2007-000090	R-CHIP;10Kohm,5%,1/10W,TP,1608	1	SA		RIC1	1201-001842	IC-OP AMP;TL3472CD,SO,TP,8P,-,DUAL,	1	SA	
MR70	2007-000106	R-CHIP;220Kohm,5%,1/10W,TP,1608	1	SA		RIC4	1003-001978	IC-MOTOR DRIVER;AM5766,HSOP28H,28P,	1	SA	
MR71	2007-000070	R-CHIP;0ohm,5%,1/10W,TP,1608	1	SA		RL1	3301-001495	BEAD-SMD;120ohm,2012,2500mA,TP,115o	1	SA	
MR72	2007-000070	R-CHIP;0ohm,5%,1/10W,TP,1608	1	SA		RL2	3301-001495	BEAD-SMD;120ohm,2012,2500mA,TP,115o	1	SA	
MR76	2007-000084	R-CHIP;4.7Kohm,5%,1/10W,TP,1608	1	SA		RL3	3301-001495	BEAD-SMD;120ohm,2012,2500mA,TP,115o	1	SA	
MR78	2007-000084	R-CHIP;4.7Kohm,5%,1/10W,TP,1608	1	SA		RL4	3301-001495	BEAD-SMD;120ohm,2012,2500mA,TP,115o	1	SA	
MR80	2007-000084	R-CHIP;4.7Kohm,5%,1/10W,TP,1608	1	SA		RL7	2703-000185	INDUCTOR-SMD;3.3uH,10%,2012	1	SA	
MR83	2007-000084	R-CHIP;4.7Kohm,5%,1/10W,TP,1608	1	SA		RQ1	0501-000632	TR-SMALL SIGNAL;2SB1197K,PNP,200mW,	1	SA	
MR87	2011-000816	R-NETWORK;100ohm,5%,1/16W,L,CHIP,8P	1	SA		RQ2	0501-000632	TR-SMALL SIGNAL;2SB1197K,PNP,200mW,	1	SA	
MR88	2007-000090	R-CHIP;10Kohm,5%,1/10W,TP,1608	1	SA		RQ3	0504-000128	TR-DIGITAL;-NPN,200MW,22K/22K,SOT-	1	SA	
MR89	2007-000113	R-CHIP;33ohm,5%,1/10W,TP,1608	1	SA		RQ4	0504-000128	TR-DIGITAL;-NPN,200MW,22K/22K,SOT-	1	SA	
MR90	2007-000074	R-CHIP;100ohm,5%,1/10W,TP,1608	1	SA		RQ5	0504-000128	TR-DIGITAL;-NPN,200MW,22K/22K,SOT-	1	SA	
MR91	2011-000816	R-NETWORK;100ohm,5%,1/16W,L,CHIP,8P	1	SA		RR01	2007-000070	R-CHIP;0ohm,5%,1/10W,TP,1608	1	SA	
MR92	2007-000074	R-CHIP;100ohm,5%,1/10W,TP,1608	1	SA		RR02	2007-000070	R-CHIP;0ohm,5%,1/10W,TP,1608	1	SA	
MR93	2007-000074	R-CHIP;100ohm,5%,1/10W,TP,1608	1	SA		RR03	2007-000071	R-CHIP;22ohm,5%,1/10W,TP,1608	1	SA	
MR94	2007-000077	R-CHIP;470ohm,5%,1/10W,TP,1608	1	SA		RR04	2007-000074	R-CHIP;100ohm,5%,1/10W,TP,1608	1	SA	
MR95	2011-000816	R-NETWORK;100ohm,5%,1/16W,L,CHIP,8P	1	SA		RR05	2007-000074	R-CHIP;100ohm,5%,1/10W,TP,1608	1	SA	
MR96	2011-000816	R-NETWORK;100ohm,5%,1/16W,L,CHIP,8P	1	SA		RR06	2007-000309	R-CHIP;10ohm,5%,1/10W,TP,1608	1	SA	
MX01	2801-004284	CRYSTAL-SMD;27MHZ,10PPM,28-AAN,20PF	1	SA		RR07	2007-000309	R-CHIP;10ohm,5%,1/10W,TP,1608	1	SA	
PC01	2402-001042	C-AL,SMD;100uF,20%,16V,GP,TP,6.6x6.	1	SA		RR08	2007-000097	R-CHIP;47Kohm,5%,1/10W,TP,1608	1	SA	
PC02	2203-005148	C-CER,CHIP;100nF,10%,16V,X7R,TP,160	1	SA		RR09	2007-000078	R-CHIP;1Kohm,5%,1/10W,TP,1608	1	SA	
PC03	2402-001049	C-AL,SMD;10uF,20%,16V,GP,TP,3.3x3.3	1	SA		RR10	2007-000090	R-CHIP;10Kohm,5%,1/10W,TP,1608	1	SA	
PC04	2203-005148	C-CER,CHIP;100nF,10%,16V,X7R,TP,160	1	SA		RR13	2007-000097	R-CHIP;47Kohm,5%,1/10W,TP,1608	1	SA	
PC05	2402-001198	C-AL,SMD;330uF,20%,6.3V,GP,TP,6.6x6	1	SA		RR14	2007-000097	R-CHIP;47Kohm,5%,1/10W,TP,1608	1	SA	
PC06	2203-005148	C-CER,CHIP;100nF,10%,16V,X7R,TP,160	1	SA		RR29	2007-000078	R-CHIP;1Kohm,5%,1/10W,TP,1608	1	SA	
PC07	2402-001042	C-AL,SMD;100uF,20%,16V,GP,TP,6.6x6.	1	SA		RR30	2007-000090	R-CHIP;10Kohm,5%,1/10W,TP,1608	1	SA	
PC08	2203-005148	C-CER,CHIP;100nF,10%,16V,X7R,TP,160	1	SA		RR31	2007-000309	R-CHIP;10ohm,5%,1/10W,TP,1608	1	SA	
PC11	2402-001042	C-AL,SMD;100uF,20%,16V,GP,TP,6.6x6.	1	SA		RR32	2007-000309	R-CHIP;10ohm,5%,1/10W,TP,1608	1	SA	
PC12	2203-005148	C-CER,CHIP;100nF,10%,16V,X7R,TP,160	1	SA		RR33	2007-000071	R-CHIP;22ohm,5%,1/10W,TP,1608	1	SA	
PC13	2402-001059	C-AL,SMD;220uF,20%,6.3V,-,TP,6x6.6	1	SA		RR34	2007-000090	R-CHIP;10Kohm,5%,1/10W,TP,1608	1	SA	
PC14	2203-005148	C-CER,CHIP;100nF,10%,16V,X7R,TP,160	1	SA		RR35	2007-000097	R-CHIP;47Kohm,5%,1/10W,TP,1608	1	SA	
PCB_MAIN	AH41-01124A	PCB-MAIN;HT-X715 MAIN PCB,EPOXY,4,0	1	SNA		RR36	2007-000078	R-CHIP;1Kohm,5%,1/10W,TP,1608	1	SA	
PIC1	1203-002935	IC-POSI.ADJUST REG.;AIC1117ACE,TO-2	1	SA		RR37	2007-000078	R-CHIP;1Kohm,5%,1/10W,TP,1608	1	SA	
PR01	2007-000119	R-CHIP;560ohm,5%,1/10W,TP,1608	1	SA		RR38	2007-000078	R-CHIP;1Kohm,5%,1/10W,TP,1608	1	SA	
PR02	2007-000074	R-CHIP;100ohm,5%,1/10W,TP,1608	1	SA		RR39	2007-000090	R-CHIP;10Kohm,5%,1/10W,TP,1608	1	SA	
RB07	3301-001495	BEAD-SMD;120ohm,2012,2500mA,TP,115o	1	SA		RR41	2007-000070	R-CHIP;0ohm,5%,1/10W,TP,1608	1	SA	
RB08	3301-001495	BEAD-SMD;120ohm,2012,2500mA,TP,115o	1	SA		RR42	2007-000098	R-CHIP;56Kohm,5%,1/10W,TP,1608	1	SA	
RB09	3301-001495	BEAD-SMD;120ohm,2012,2500mA,TP,115o	1	SA		RR43	2007-000098	R-CHIP;56Kohm,5%,1/10W,TP,1608	1	SA	
RB1A	3301-001495	BEAD-SMD;120ohm,2012,2500mA,TP,115o	1	SA		RR44	2007-000102	R-CHIP;100Kohm,5%,1/10W,TP,1608	1	SA	
RC01	2203-000189	C-CER,CHIP;100nF,+80-20%,25V,Y5V,16	1	SA		RR48	2007-000102	R-CHIP;100Kohm,5%,1/10W,TP,1608	1	SA	
RC02	2203-005148	C-CER,CHIP;100nF,10%,16V,X7R,TP,160	1	SA		RR52	2007-000124	R-CHIP;2.2Kohm,5%,1/10W,TP,1608	1	SA	
RC03	2402-000175	C-AL,SMD;470uF,20%,6.3V,-,8.3x8.3	1	SA		RR53	2007-000084	R-CHIP;4.7Kohm,5%,1/10W,TP,1608	1	SA	
RC11	2203-000189	C-CER,CHIP;100nF,+80-20%,25V,Y5V,16	1	SA		RR54	2007-000109	R-CHIP;1Mohm,5%,1/10W,TP,1608	1	SA	
RC12	2203-000189	C-CER,CHIP;100nF,+80-20%,25V,Y5V,16	1	SA		RR55	2007-000070	R-CHIP;0ohm,5%,1/10W,TP,1608	1	SA	
RC13	2203-000189	C-CER,CHIP;100nF,+80-20%,25V,Y5V,16	1	SA		RR56	2007-000458	R-CHIP;18Kohm,5%,1/10W,TP,1608	1	SA	

Exploded View & Part List

Loc. No.	Part No.	Description;Specification	Q'ty	SNA	Remark	Loc. No.	Part No.	Description;Specification	Q'ty	SNA	Remark
RR57	2007-000094	R-CHIP;22Kohm,5%,1/10W,TP,1608	1	SA		UD19	0406-001128	DIODE-TVS;MLVS-0603-E08,50V,-,-	1	SA	
RR58	2007-000070	R-CHIP;0ohm,5%,1/10W,TP,1608	1	SA		UD21	0401-001110	DIODE-SWITCHING;-;80V,100MA,SOD-523	1	SA	
RR60	2007-000120	R-CHIP;680ohm,5%,1/10W,TP,1608	1	SA		UD22	0401-001090	DIODE-SWITCHING;1SS355,80V,100MA,SO	1	SA	
RR61	2007-000078	R-CHIP;1Kohm,5%,1/10W,TP,1608	1	SA		UIC1	0903-001405	IC-MICROCONTROLLER;LC87F5CC8A,8Bit,	1	SA	
RR62	2007-000090	R-CHIP;10Kohm,5%,1/10W,TP,1608	1	SA		UL1	3301-001495	BEAD-SMD;120ohm,2012,2500mA,TP,115o	1	SA	
RR63	2007-000082	R-CHIP;3.3Kohm,5%,1/10W,TP,1608	1	SA		UL10	3301-000314	BEAD-SMD;120ohm,1.6x0.8x0.8mm,-,-,-	1	SA	
RR64	2007-000090	R-CHIP;10Kohm,5%,1/10W,TP,1608	1	SA		UL11	3301-000314	BEAD-SMD;120ohm,1.6x0.8x0.8mm,-,-,-	1	SA	
UC1	2203-005148	C-CER,CHIP;100nF,10%,16V,X7R,TP,160	1	SA		UL12	3301-000314	BEAD-SMD;120ohm,1.6x0.8x0.8mm,-,-,-	1	SA	
UC10	2402-001042	C-AL,SMD;100uF,20%,16V,GP,TP,6.6x6.	1	SA		UL15	3301-001495	BEAD-SMD;120ohm,2012,2500mA,TP,115o	1	SA	
UC11	2409-000123	C-EDL;4700uF,4uA,5.5V,-,BK,-,5mm	1	SA		UL16	3301-001495	BEAD-SMD;120ohm,2012,2500mA,TP,115o	1	SA	
UC12	2402-001042	C-AL,SMD;100uF,20%,16V,GP,TP,6.6x6.	1	SA		UL17	3301-001495	BEAD-SMD;120ohm,2012,2500mA,TP,115o	1	SA	
UC13	2203-005148	C-CER,CHIP;100nF,10%,16V,X7R,TP,160	1	SA		UL4	3301-001495	BEAD-SMD;120ohm,2012,2500mA,TP,115o	1	SA	
UC14	2203-005148	C-CER,CHIP;100nF,10%,16V,X7R,TP,160	1	SA		UL5	3301-000314	BEAD-SMD;120ohm,1.6x0.8x0.8mm,-,-,-	1	SA	
UC15	2203-005148	C-CER,CHIP;100nF,10%,16V,X7R,TP,160	1	SA		UL6	3301-000314	BEAD-SMD;120ohm,1.6x0.8x0.8mm,-,-,-	1	SA	
UC16	2203-000972	C-CER,CHIP;47nF,10%,16V,X7R,1608	1	SA		UL7	3301-000314	BEAD-SMD;120ohm,1.6x0.8x0.8mm,-,-,-	1	SA	
UC17	2402-001042	C-AL,SMD;100uF,20%,16V,GP,TP,6.6x6.	1	SA		UL8	3301-000314	BEAD-SMD;120ohm,1.6x0.8x0.8mm,-,-,-	1	SA	
UC18	2402-001042	C-AL,SMD;100uF,20%,16V,GP,TP,6.6x6.	1	SA		UL9	3301-000314	BEAD-SMD;120ohm,1.6x0.8x0.8mm,-,-,-	1	SA	
UC19	2203-005148	C-CER,CHIP;100nF,10%,16V,X7R,TP,160	1	SA		UQ1	0501-000341	TR-SMALL SIGNAL;KSC1623-L,NPN,200mW	1	SA	
UC2	2203-001607	C-CER,CHIP;0.22nF,5%,50V,NP0,1608	1	SA		UQ2	0504-000156	TR-DIGITAL;KSR2103,PNP,200MW,22K/22	1	SA	
UC20	2402-001042	C-AL,SMD;100uF,20%,16V,GP,TP,6.6x6.	1	SA		UR1	2007-000074	R-CHIP;100ohm,5%,1/10W,TP,1608	1	SA	
UC21	2203-000236	C-CER,CHIP;0.1nF,5%,50V,C0G,1608	1	SA		UR10	2007-000102	R-CHIP;100Kohm,5%,1/10W,TP,1608	1	SA	
UC22	2203-000236	C-CER,CHIP;0.1nF,5%,50V,C0G,1608	1	SA		UR101	2007-000074	R-CHIP;100ohm,5%,1/10W,TP,1608	1	SA	
UC23	2203-005249	C-CER,CHIP;100nF,10%,50V,X7R,1608	1	SA		UR102	2007-000074	R-CHIP;100ohm,5%,1/10W,TP,1608	1	SA	
UC24	2402-000008	C-AL,SMD;47uF,20%,16V,GP,TP,6.6x6.6	1	SA		UR103	2007-000074	R-CHIP;100ohm,5%,1/10W,TP,1608	1	SA	
UC27	2203-005249	C-CER,CHIP;100nF,10%,50V,X7R,1608	1	SA		UR104	2007-000074	R-CHIP;100ohm,5%,1/10W,TP,1608	1	SA	
UC28	2203-005249	C-CER,CHIP;100nF,10%,50V,X7R,1608	1	SA		UR105	2007-000074	R-CHIP;100ohm,5%,1/10W,TP,1608	1	SA	
UC29	2203-005249	C-CER,CHIP;100nF,10%,50V,X7R,1608	1	SA		UR108	2007-000074	R-CHIP;100ohm,5%,1/10W,TP,1608	1	SA	
UC3	2203-001607	C-CER,CHIP;0.22nF,5%,50V,NP0,1608	1	SA		UR109	2007-000074	R-CHIP;100ohm,5%,1/10W,TP,1608	1	SA	
UC30	2203-000236	C-CER,CHIP;0.1nF,5%,50V,C0G,1608	1	SA		UR11	2007-000102	R-CHIP;100Kohm,5%,1/10W,TP,1608	1	SA	
UC31	2203-000236	C-CER,CHIP;0.1nF,5%,50V,C0G,1608	1	SA		UR111	2007-000074	R-CHIP;100ohm,5%,1/10W,TP,1608	1	SA	
UC32	2203-005249	C-CER,CHIP;100nF,10%,50V,X7R,1608	1	SA		UR112	2007-000074	R-CHIP;100ohm,5%,1/10W,TP,1608	1	SA	
UC33	2203-005249	C-CER,CHIP;100nF,10%,50V,X7R,1608	1	SA		UR117	2203-005148	C-CER,CHIP;100nF,10%,16V,X7R,TP,160	1	SA	
UC34	2402-001070	C-AL,SMD;470uF,20%,16V,GP,TP,10x10.	1	SA		UR119	2007-000074	R-CHIP;100ohm,5%,1/10W,TP,1608	1	SA	
UC35	2402-001070	C-AL,SMD;470uF,20%,16V,GP,TP,10x10.	1	SA		UR12	2007-000097	R-CHIP;47Kohm,5%,1/10W,TP,1608	1	SA	
UC36	2203-005249	C-CER,CHIP;100nF,10%,50V,X7R,1608	1	SA		UR120	2007-000074	R-CHIP;100ohm,5%,1/10W,TP,1608	1	SA	
UC37	2402-001096	C-AL,SMD;220uF,20%,16V,GP,TP,6.6x6.	1	SA		UR121	2007-000074	R-CHIP;100ohm,5%,1/10W,TP,1608	1	SA	
UC38	2203-005249	C-CER,CHIP;100nF,10%,50V,X7R,1608	1	SA		UR122	2007-000090	R-CHIP;10Kohm,5%,1/10W,TP,1608	1	SA	
UC39	2402-001042	C-AL,SMD;100uF,20%,16V,GP,TP,6.6x6.	1	SA		UR124	2007-000074	R-CHIP;100ohm,5%,1/10W,TP,1608	1	SA	
UC4	2402-000130	C-AL,SMD;2.2uF,20%,50V,GP,TP,4.3x4.	1	SA		UR125	2007-000090	R-CHIP;10Kohm,5%,1/10W,TP,1608	1	SA	
UC40	2203-005249	C-CER,CHIP;100nF,10%,50V,X7R,1608	1	SA		UR126	2007-000107	R-CHIP;470Kohm,5%,1/10W,TP,1608	1	SA	
UC41	2402-001042	C-AL,SMD;100uF,20%,16V,GP,TP,6.6x6.	1	SA		UR129	2007-000090	R-CHIP;10Kohm,5%,1/10W,TP,1608	1	SA	
UC42	2203-005249	C-CER,CHIP;100nF,10%,50V,X7R,1608	1	SA		UR13	2007-000078	R-CHIP;1Kohm,5%,1/10W,TP,1608	1	SA	
UC43	2402-001070	C-AL,SMD;470uF,20%,16V,GP,TP,10x10.	1	SA		UR130	2007-000074	R-CHIP;100ohm,5%,1/10W,TP,1608	1	SA	
UC5	2402-000173	C-AL,SMD;4.7uF,20%,35V,GP,TP,4.3x4.	1	SA		UR132	2007-000074	R-CHIP;100ohm,5%,1/10W,TP,1608	1	SA	
UC50	2203-005249	C-CER,CHIP;100nF,10%,50V,X7R,1608	1	SA		UR133	2007-000121	R-CHIP;820ohm,5%,1/10W,TP,1608	1	SA	
UC51	2203-005148	C-CER,CHIP;100nF,10%,16V,X7R,TP,160	1	SA		UR134	2007-000090	R-CHIP;10Kohm,5%,1/10W,TP,1608	1	SA	
UC53	2402-000167	C-AL,SMD;100uF,20%,10V,-,-,6.6x6.6x	1	SA		UR135	2007-000090	R-CHIP;10Kohm,5%,1/10W,TP,1608	1	SA	
UC6	2203-001607	C-CER,CHIP;0.22nF,5%,50V,NP0,1608	1	SA		UR136	2007-000074	R-CHIP;100ohm,5%,1/10W,TP,1608	1	SA	
UC7	2203-000257	C-CER,CHIP;10nF,10%,50V,X7R,TP,1608	1	SA		UR138	2007-000070	R-CHIP;0ohm,5%,1/10W,TP,1608	1	SA	
UC8	2402-000187	C-AL,SMD;0.22uF,20%,50V,-,TP,4X5.5M	1	SA		UR139	2007-000074	R-CHIP;100ohm,5%,1/10W,TP,1608	1	SA	
UC9	2203-005148	C-CER,CHIP;100nF,10%,16V,X7R,TP,160	1	SA		UR14	2007-000078	R-CHIP;1Kohm,5%,1/10W,TP,1608	1	SA	
UD10	0401-001090	DIODE-SWITCHING;1SS355,80V,100MA,SO	1	SA		UR140	2007-000084	R-CHIP;4.7Kohm,5%,1/10W,TP,1608	1	SA	
UD11	0401-001090	DIODE-SWITCHING;1SS355,80V,100MA,SO	1	SA		UR141	2007-000090	R-CHIP;10Kohm,5%,1/10W,TP,1608	1	SA	
UD12	0401-001090	DIODE-SWITCHING;1SS355,80V,100MA,SO	1	SA		UR142	2007-000090	R-CHIP;10Kohm,5%,1/10W,TP,1608	1	SA	
UD13	0401-001090	DIODE-SWITCHING;1SS355,80V,100MA,SO	1	SA		UR15	2007-000081	R-CHIP;2.7Kohm,5%,1/10W,TP,1608	1	SA	
UD14	0401-001090	DIODE-SWITCHING;1SS355,80V,100MA,SO	1	SA		UR16	2007-000074	R-CHIP;100ohm,5%,1/10W,TP,1608	1	SA	
UD16	0401-001090	DIODE-SWITCHING;1SS355,80V,100MA,SO	1	SA		UR17	2007-000074	R-CHIP;100ohm,5%,1/10W,TP,1608	1	SA	
UD17	0401-001090	DIODE-SWITCHING;1SS355,80V,100MA,SO	1	SA		UR18	2007-000074	R-CHIP;100ohm,5%,1/10W,TP,1608	1	SA	
UD18	0406-001128	DIODE-TVS;MLVS-0603-E08,50V,-,-	1	SA							

Exploded View & Part List

Loc. No.	Part No.	Description;Specification	Q'ty	SNA	Remark	Loc. No.	Part No.	Description;Specification	Q'ty	SNA	Remark
AQ6	0501-000341	TR-SMALL SIGNAL;KSC1623-L,NPN,200mW	1	SA		HPL11	2703-000404	INDUCTOR-SMD;220uH,10%,3225	1	SA	
AR10	2007-000102	R-CHIP;100Kohm,5%,1/10W,TP,1608	1	SA		HPR3	2007-000070	R-CHIP;0ohm,5%,1/10W,TP,1608	1	SA	
AR11	2007-000102	R-CHIP;100Kohm,5%,1/10W,TP,1608	1	SA		HPR4	2007-000070	R-CHIP;0ohm,5%,1/10W,TP,1608	1	SA	
AR12	2007-000102	R-CHIP;100Kohm,5%,1/10W,TP,1608	1	SA		IPB1	3301-001495	BEAD-SMD;120ohm,2012,2500mA,TP,115o	1	SA	
AR5	2007-000729	R-CHIP;300ohm,5%,1/10W,TP,1608	1	SA		IPB8	3301-001495	BEAD-SMD;120ohm,2012,2500mA,TP,115o	1	SA	
AR6	2007-000729	R-CHIP;300ohm,5%,1/10W,TP,1608	1	SA		JCN11	3708-001761	CONNECTOR-FPC/FFC/PIC;28P,1MM,STRAI	1	SA	
AR7	2007-000102	R-CHIP;100Kohm,5%,1/10W,TP,1608	1	SA		ML51	3301-001495	BEAD-SMD;120ohm,2012,2500mA,TP,115o	1	SA	
AREG1	AH14-10003E	IC;KIA7812PI,,TO-220	1	SA		OPTC1	2203-000626	C-CER,CHIP;0.022nF,5%,50V,C0G,1608	1	SA	
AREG2	AH14-10003E	IC;KIA7812PI,,TO-220	1	SA		OPTC2	2401-000042	C-AL;100uF,20%,16V,GP,TP,6.3x7,5	1	SA	
ASC1	2203-005148	C-CER,CHIP;100nF,10%,16V,X7R,TP,160	1	SA		OPTC3	2203-005148	C-CER,CHIP;100nF,10%,16V,X7R,TP,160	1	SA	
ASD1	0401-001090	DIODE-SWITCHING;1SS355,80V,100MA,SO	1	SA		OPTC4	2203-000257	C-CER,CHIP;10nF,10%,50V,X7R,TP,1608	1	SA	
ASD2	0401-001090	DIODE-SWITCHING;1SS355,80V,100MA,SO	1	SA		OPTJ1	0603-001164	OPTIC TRANSMITTER;5V,16Mb/s,-,-,650	1	SA	
AVJ1	3722-002574	JACK-PIN;6P,TIN,RD/BU/GN/RD/WT/YL,S	1	SA		OPTL1	3301-001495	BEAD-SMD;120ohm,2012,2500mA,TP,115o	1	SA	
BRACKET_EMI	AH61-02641A	BRACKET-EMI;HT-X715,SPT,TO.3,W18.8	1	SA		OPTR1	2007-000076	R-CHIP;330ohm,5%,1/10W,TP,1608	1	SA	
BRKE	AH61-02125A	BRACKET-X-READY;HT-Q20,SPT,0.5T,-,	1	SA		PC1	2203-005249	C-CER,CHIP;100nF,10%,50V,X7R,1608	1	SA	
COVER_HEAT_SINK	AH63-01718A	COVER-HEAT SINK;HT-X715,PBT,T2,W98,	1	SA		PC10	2203-000236	C-CER,CHIP;0.1nF,5%,50V,C0G,1608	1	SA	
ESD32	0406-001128	DIODE-TVS;MLVS-0603-E08,50V,-,-	1	SA		PC100	2203-005249	C-CER,CHIP;100nF,10%,50V,X7R,1608	1	SA	
ESD33	0406-001128	DIODE-TVS;MLVS-0603-E08,50V,-,-	1	SA		PC101	2203-005249	C-CER,CHIP;100nF,10%,50V,X7R,1608	1	SA	
ESD34	0406-001128	DIODE-TVS;MLVS-0603-E08,50V,-,-	1	SA		PC102	2203-005249	C-CER,CHIP;100nF,10%,50V,X7R,1608	1	SA	
ESD35	0406-001128	DIODE-TVS;MLVS-0603-E08,50V,-,-	1	SA		PC103	2203-005249	C-CER,CHIP;100nF,10%,50V,X7R,1608	1	SA	
FB1	3301-001069	BEAD-SMD;120ohm,1.6x0.8x0.8mm,200mA	1	SA		PC104	2203-006348	C-CER,CHIP;1000nF,10%,25V,X5R,1608	1	SA	
FB2	3301-001069	BEAD-SMD;120ohm,1.6x0.8x0.8mm,200mA	1	SA		PC105	2203-006348	C-CER,CHIP;1000nF,10%,25V,X5R,1608	1	SA	
FB3	3301-001069	BEAD-SMD;120ohm,1.6x0.8x0.8mm,200mA	1	SA		PC106	2203-005249	C-CER,CHIP;100nF,10%,50V,X7R,1608	1	SA	
FCN11	3708-001837	CONNECTOR-FPC/FFC/PIC;15P,1mm,SMD-S	1	SA		PC107	2203-005249	C-CER,CHIP;100nF,10%,50V,X7R,1608	1	SA	
GB01	3002-001134	BUZZER-PIEZO;85DB,12V,-,2K-4KHZ,BK	1	SA		PC108	2203-006348	C-CER,CHIP;1000nF,10%,25V,X5R,1608	1	SA	
GC01	2203-005249	C-CER,CHIP;100nF,10%,50V,X7R,1608	1	SA		PC109	2203-005249	C-CER,CHIP;100nF,10%,50V,X7R,1608	1	SA	
GC02	2401-000804	C-AL;220uF,20%,16V,GP,TP,8x9mm,5	1	SA		PC11	2203-000236	C-CER,CHIP;0.1nF,5%,50V,C0G,1608	1	SA	
GC03	2203-005249	C-CER,CHIP;100nF,10%,50V,X7R,1608	1	SA		PC110	2203-005249	C-CER,CHIP;100nF,10%,50V,X7R,1608	1	SA	
GC06	2203-000236	C-CER,CHIP;0.1nF,5%,50V,C0G,1608	1	SA		PC111	2203-005249	C-CER,CHIP;100nF,10%,50V,X7R,1608	1	SA	
GC07	2401-000487	C-AL;10uF,20%,50V,GP,TP,6.3x5mm,5	1	SA		PC112	2203-006348	C-CER,CHIP;1000nF,10%,25V,X5R,1608	1	SA	
GC08	2401-000487	C-AL;10uF,20%,50V,GP,TP,6.3x5mm,5	1	SA		PC113	2203-006348	C-CER,CHIP;1000nF,10%,25V,X5R,1608	1	SA	
GC09	2203-005249	C-CER,CHIP;100nF,10%,50V,X7R,1608	1	SA		PC114	2203-005249	C-CER,CHIP;100nF,10%,50V,X7R,1608	1	SA	
GC10	2203-005249	C-CER,CHIP;100nF,10%,50V,X7R,1608	1	SA		PC115	2203-005249	C-CER,CHIP;100nF,10%,50V,X7R,1608	1	SA	
GC11	2401-000487	C-AL;10uF,20%,50V,GP,TP,6.3x5mm,5	1	SA		PC116	2203-005249	C-CER,CHIP;100nF,10%,50V,X7R,1608	1	SA	
GC25	2203-005249	C-CER,CHIP;100nF,10%,50V,X7R,1608	1	SA		PC117	2203-000783	C-CER,CHIP;0.33nF,5%,50V,C0G,1608	1	SA	
GC26	2401-000804	C-AL;220uF,20%,16V,GP,TP,8x9mm,5	1	SA		PC118	2203-000783	C-CER,CHIP;0.33nF,5%,50V,C0G,1608	1	SA	
GCN1	3708-001806	CONNECTOR-FPC/FFC/PIC;24P,1MM,SMD-A	1	SA		PC119	2203-000783	C-CER,CHIP;0.33nF,5%,50V,C0G,1608	1	SA	
GCN2	3708-002061	CONNECTOR-FPC/FFC/PIC;7P,1mm,SMD-A,	1	SA		PC12	2401-000042	C-AL;100uF,20%,16V,GP,TP,6.3x7,5	1	SA	
GCN4	3711-000471	HEADER-BOARD TO CABLE;3WALL,4P,1R,2	1	SA		PC120	2203-000783	C-CER,CHIP;0.33nF,5%,50V,C0G,1608	1	SA	
GD1	0403-001284	DIODE-ZENER;RLZ3.3A.3.16-3.38V,500m	1	SA		PC121	2203-000783	C-CER,CHIP;0.33nF,5%,50V,C0G,1608	1	SA	
GR03	2007-000074	R-CHIP;100ohm,5%,1/10W,TP,1608	1	SA		PC122	2203-000783	C-CER,CHIP;0.33nF,5%,50V,C0G,1608	1	SA	
GR04	2007-000074	R-CHIP;100ohm,5%,1/10W,TP,1608	1	SA		PC123	2203-000257	C-CER,CHIP;10nF,10%,50V,X7R,TP,1608	1	SA	
GR05	2007-000074	R-CHIP;100ohm,5%,1/10W,TP,1608	1	SA		PC124	2203-000257	C-CER,CHIP;10nF,10%,50V,X7R,TP,1608	1	SA	
GR06	2007-000074	R-CHIP;100ohm,5%,1/10W,TP,1608	1	SA		PC125	2203-000783	C-CER,CHIP;0.33nF,5%,50V,C0G,1608	1	SA	
GR07	2007-000103	R-CHIP;120Kohm,5%,1/10W,TP,1608	1	SA		PC126	2203-000783	C-CER,CHIP;0.33nF,5%,50V,C0G,1608	1	SA	
GR08	2007-000309	R-CHIP;10ohm,5%,1/10W,TP,1608	1	SA		PC127	2203-000783	C-CER,CHIP;0.33nF,5%,50V,C0G,1608	1	SA	
GR09	2007-000309	R-CHIP;10ohm,5%,1/10W,TP,1608	1	SA		PC128	2203-000783	C-CER,CHIP;0.33nF,5%,50V,C0G,1608	1	SA	
GR14	2007-000090	R-CHIP;10Kohm,5%,1/10W,TP,1608	1	SA		PC129	2203-000257	C-CER,CHIP;10nF,10%,50V,X7R,TP,1608	1	SA	
HEAT_SINK_AMP	AH62-00188A	HEAT SINK-AMP;HT-X715,AL,T5.0,W38,L	1	SA		PC13	2401-000042	C-AL;100uF,20%,16V,GP,TP,6.3x7,5	1	SA	
HEAT_SINK_IC	AH62-00195A	HEAT SINK-IC;HT-X715,AL,-,W12,L70.8	1	SA		PC130	2203-000257	C-CER,CHIP;10nF,10%,50V,X7R,TP,1608	1	SA	
HOLDER_IC	AH61-02581A	HOLDER-IC;HT-X715,PBT,TO.9,W11,L92,	1	SA		PC131	2203-000783	C-CER,CHIP;0.33nF,5%,50V,C0G,1608	1	SA	
HPC7	2203-000236	C-CER,CHIP;0.1nF,5%,50V,C0G,1608	1	SA		PC132	2203-000257	C-CER,CHIP;10nF,10%,50V,X7R,TP,1608	1	SA	
HPC8	2203-000236	C-CER,CHIP;0.1nF,5%,50V,C0G,1608	1	SA		PC133	2203-000257	C-CER,CHIP;10nF,10%,50V,X7R,TP,1608	1	SA	
HPC9	2203-000257	C-CER,CHIP;10nF,10%,50V,X7R,TP,1608	1	SA		PC134	2203-000783	C-CER,CHIP;0.33nF,5%,50V,C0G,1608	1	SA	
HPIC1	1201-000163	IC-OP AMP;4560,SOP,8P,173MIL,DUAL,1	1	SA		PC135	2203-005249	C-CER,CHIP;100nF,10%,50V,X7R,1608	1	SA	
HPJ1	3722-000143	JACK-PHONE;1P(VER),AG,BLK,ANGLE	1	SA		PC136	2203-005249	C-CER,CHIP;100nF,10%,50V,X7R,1608	1	SA	
HPJ2	3722-000143	JACK-PHONE;1P(VER),AG,BLK,ANGLE	1	SA		PC137	2203-005249	C-CER,CHIP;100nF,10%,50V,X7R,1608	1	SA	
HPL10	2703-000404	INDUCTOR-SMD;220uH,10%,3225	1	SA		PC138	2203-005249	C-CER,CHIP;100nF,10%,50V,X7R,1608	1	SA	
						PC139	2203-005249	C-CER,CHIP;100nF,10%,50V,X7R,1608	1	SA	

Loc. No.	Part No.	Description;Specification	Q'ty	SNA	Remark	Loc. No.	Part No.	Description;Specification	Q'ty	SNA	Remark
PC14	2203-000998	C-CER,CHIP;0.047nF,5%,50V,C0G,1608	1	SA		PC192	2401-000042	C-AL;100uF,20%,16V,GP,TP,6.3x7,5	1	SA	
PC140	2203-005249	C-CER,CHIP;100nF,10%,50V,X7R,1608	1	SA		PC193	2203-005249	C-CER,CHIP;100nF,10%,50V,X7R,1608	1	SA	
PC141	2401-004106	C-AL;680uF,20%,50V,-,BK,12.5 x 35,5	1	SA		PC194	2401-001479	C-AL;470uF,20%,10V,GP,TP,6.3*11mm,5	1	SA	
PC142	2401-004106	C-AL;680uF,20%,50V,-,BK,12.5 x 35,5	1	SA		PC2	2203-005249	C-CER,CHIP;100nF,10%,50V,X7R,1608	1	SA	
PC143	2401-004106	C-AL;680uF,20%,50V,-,BK,12.5 x 35,5	1	SA		PC20	2203-000236	C-CER,CHIP;0.1nF,5%,50V,C0G,1608	1	SA	
PC144	2401-004106	C-AL;680uF,20%,50V,-,BK,12.5 x 35,5	1	SA		PC22	2401-000243	C-AL;100uF,20%,10V,GP,TP,6.3x5,5	1	SA	
PC145	2401-004106	C-AL;680uF,20%,50V,-,BK,12.5 x 35,5	1	SA		PC23	2203-005249	C-CER,CHIP;100nF,10%,50V,X7R,1608	1	SA	
PC146	2401-004106	C-AL;680uF,20%,50V,-,BK,12.5 x 35,5	1	SA		PC24	2203-000236	C-CER,CHIP;0.1nF,5%,50V,C0G,1608	1	SA	
PC147	2305-000407	C-FILM,LEAD-PEF;470nF,5%,100V,TP,10	1	SA		PC25	2203-000998	C-CER,CHIP;0.047nF,5%,50V,C0G,1608	1	SA	
PC148	2305-000407	C-FILM,LEAD-PEF;470nF,5%,100V,TP,10	1	SA		PC27	2203-005249	C-CER,CHIP;100nF,10%,50V,X7R,1608	1	SA	
PC149	2305-000407	C-FILM,LEAD-PEF;470nF,5%,100V,TP,10	1	SA		PC28	2203-000236	C-CER,CHIP;0.1nF,5%,50V,C0G,1608	1	SA	
PC15	2203-000998	C-CER,CHIP;0.047nF,5%,50V,C0G,1608	1	SA		PC29	2203-000236	C-CER,CHIP;0.1nF,5%,50V,C0G,1608	1	SA	
PC150	2305-000407	C-FILM,LEAD-PEF;470nF,5%,100V,TP,10	1	SA		PC3	2203-005249	C-CER,CHIP;100nF,10%,50V,X7R,1608	1	SA	
PC151	2305-000407	C-FILM,LEAD-PEF;470nF,5%,100V,TP,10	1	SA		PC30	2203-005249	C-CER,CHIP;100nF,10%,50V,X7R,1608	1	SA	
PC152	2305-000407	C-FILM,LEAD-PEF;470nF,5%,100V,TP,10	1	SA		PC31	2203-005249	C-CER,CHIP;100nF,10%,50V,X7R,1608	1	SA	
PC153	2203-005249	C-CER,CHIP;100nF,10%,50V,X7R,1608	1	SA		PC32	2401-000414	C-AL;10uF,20%,16V,GP,TP,4x7,5	1	SA	
PC154	2203-005249	C-CER,CHIP;100nF,10%,50V,X7R,1608	1	SA		PC35	2203-005249	C-CER,CHIP;100nF,10%,50V,X7R,1608	1	SA	
PC155	2203-005249	C-CER,CHIP;100nF,10%,50V,X7R,1608	1	SA		PC36	2203-005249	C-CER,CHIP;100nF,10%,50V,X7R,1608	1	SA	
PC156	2203-005249	C-CER,CHIP;100nF,10%,50V,X7R,1608	1	SA		PC37	2203-005249	C-CER,CHIP;100nF,10%,50V,X7R,1608	1	SA	
PC157	2203-005249	C-CER,CHIP;100nF,10%,50V,X7R,1608	1	SA		PC38	2203-000236	C-CER,CHIP;0.1nF,5%,50V,C0G,1608	1	SA	
PC158	2203-005249	C-CER,CHIP;100nF,10%,50V,X7R,1608	1	SA		PC39	2203-000257	C-CER,CHIP;10nF,10%,50V,X7R,TP,1608	1	SA	
PC159	2203-005249	C-CER,CHIP;100nF,10%,50V,X7R,1608	1	SA		PC4	2203-005249	C-CER,CHIP;100nF,10%,50V,X7R,1608	1	SA	
PC16	2401-002042	C-AL;220uF,20%,10V,GP,TP,6.3x11,5	1	SA		PC40	2203-005249	C-CER,CHIP;100nF,10%,50V,X7R,1608	1	SA	
PC160	2203-005249	C-CER,CHIP;100nF,10%,50V,X7R,1608	1	SA		PC41	2401-000414	C-AL;10uF,20%,16V,GP,TP,4x7,5	1	SA	
PC161	2203-005249	C-CER,CHIP;100nF,10%,50V,X7R,1608	1	SA		PC42	2401-001508	C-AL;47uF,20%,16V,GP,TP,6.3x5,5	1	SA	
PC162	2203-005249	C-CER,CHIP;100nF,10%,50V,X7R,1608	1	SA		PC43	2401-001479	C-AL;470uF,20%,10V,GP,TP,6.3*11mm,5	1	SA	
PC163	2203-005249	C-CER,CHIP;100nF,10%,50V,X7R,1608	1	SA		PC44	2203-005249	C-CER,CHIP;100nF,10%,50V,X7R,1608	1	SA	
PC164	2203-005249	C-CER,CHIP;100nF,10%,50V,X7R,1608	1	SA		PC45	2203-000236	C-CER,CHIP;0.1nF,5%,50V,C0G,1608	1	SA	
PC165	2203-000257	C-CER,CHIP;10nF,10%,50V,X7R,TP,1608	1	SA		PC46	2203-000626	C-CER,CHIP;0.022nF,5%,50V,C0G,1608	1	SA	
PC166	2203-000257	C-CER,CHIP;10nF,10%,50V,X7R,TP,1608	1	SA		PC47	2203-000626	C-CER,CHIP;0.022nF,5%,50V,C0G,1608	1	SA	
PC167	2203-000257	C-CER,CHIP;10nF,10%,50V,X7R,TP,1608	1	SA		PC48	2203-005249	C-CER,CHIP;100nF,10%,50V,X7R,1608	1	SA	
PC168	2203-000257	C-CER,CHIP;10nF,10%,50V,X7R,TP,1608	1	SA		PC49	2203-005249	C-CER,CHIP;100nF,10%,50V,X7R,1608	1	SA	
PC169	2203-000257	C-CER,CHIP;10nF,10%,50V,X7R,TP,1608	1	SA		PC5	2203-005249	C-CER,CHIP;100nF,10%,50V,X7R,1608	1	SA	
PC17	2203-000998	C-CER,CHIP;0.047nF,5%,50V,C0G,1608	1	SA		PC50	2203-005249	C-CER,CHIP;100nF,10%,50V,X7R,1608	1	SA	
PC170	2203-000257	C-CER,CHIP;10nF,10%,50V,X7R,TP,1608	1	SA		PC51	2401-001508	C-AL;47uF,20%,16V,GP,TP,6.3x5,5	1	SA	
PC171	2203-000257	C-CER,CHIP;10nF,10%,50V,X7R,TP,1608	1	SA		PC52	2203-005249	C-CER,CHIP;100nF,10%,50V,X7R,1608	1	SA	
PC172	2203-000257	C-CER,CHIP;10nF,10%,50V,X7R,TP,1608	1	SA		PC53	2203-005249	C-CER,CHIP;100nF,10%,50V,X7R,1608	1	SA	
PC173	2203-000257	C-CER,CHIP;10nF,10%,50V,X7R,TP,1608	1	SA		PC54	2203-005249	C-CER,CHIP;100nF,10%,50V,X7R,1608	1	SA	
PC174	2203-000257	C-CER,CHIP;10nF,10%,50V,X7R,TP,1608	1	SA		PC55	2401-000303	C-AL;100uF,20%,25V,WT,TP,6.3x11mm,5	1	SA	
PC175	2203-000257	C-CER,CHIP;10nF,10%,50V,X7R,TP,1608	1	SA		PC56	2203-005249	C-CER,CHIP;100nF,10%,50V,X7R,1608	1	SA	
PC176	2203-000257	C-CER,CHIP;10nF,10%,50V,X7R,TP,1608	1	SA		PC57	2203-005249	C-CER,CHIP;100nF,10%,50V,X7R,1608	1	SA	
PC177	2203-005249	C-CER,CHIP;100nF,10%,50V,X7R,1608	1	SA		PC58	2203-005249	C-CER,CHIP;100nF,10%,50V,X7R,1608	1	SA	
PC178	2203-005249	C-CER,CHIP;100nF,10%,50V,X7R,1608	1	SA		PC59	2401-000651	C-AL;2.2uF,20%,50V,GP,TP,4x7,5	1	SA	
PC179	2203-005249	C-CER,CHIP;100nF,10%,50V,X7R,1608	1	SA		PC60	2401-000651	C-AL;2.2uF,20%,50V,GP,TP,4x7,5	1	SA	
PC18	2401-002042	C-AL;220uF,20%,10V,GP,TP,6.3x11,5	1	SA		PC61	2401-001479	C-AL;470uF,20%,10V,GP,TP,6.3*11mm,5	1	SA	
PC180	2203-005249	C-CER,CHIP;100nF,10%,50V,X7R,1608	1	SA		PC62	2203-005249	C-CER,CHIP;100nF,10%,50V,X7R,1608	1	SA	
PC181	2203-005249	C-CER,CHIP;100nF,10%,50V,X7R,1608	1	SA		PC63	2401-001479	C-AL;470uF,20%,10V,GP,TP,6.3*11mm,5	1	SA	
PC182	2203-005249	C-CER,CHIP;100nF,10%,50V,X7R,1608	1	SA		PC64	2203-005249	C-CER,CHIP;100nF,10%,50V,X7R,1608	1	SA	
PC183	2203-005249	C-CER,CHIP;100nF,10%,50V,X7R,1608	1	SA		PC65	2203-005249	C-CER,CHIP;100nF,10%,50V,X7R,1608	1	SA	
PC184	2203-005249	C-CER,CHIP;100nF,10%,50V,X7R,1608	1	SA		PC66	2203-005249	C-CER,CHIP;100nF,10%,50V,X7R,1608	1	SA	
PC185	2203-005249	C-CER,CHIP;100nF,10%,50V,X7R,1608	1	SA		PC67	2203-005249	C-CER,CHIP;100nF,10%,50V,X7R,1608	1	SA	
PC186	2203-005249	C-CER,CHIP;100nF,10%,50V,X7R,1608	1	SA		PC69	2203-006348	C-CER,CHIP;1000nF,10%,25V,X5R,1608	1	SA	
PC187	2203-005249	C-CER,CHIP;100nF,10%,50V,X7R,1608	1	SA		PC7	2203-005249	C-CER,CHIP;100nF,10%,50V,X7R,1608	1	SA	
PC188	2203-005249	C-CER,CHIP;100nF,10%,50V,X7R,1608	1	SA		PC70	2203-006348	C-CER,CHIP;1000nF,10%,25V,X5R,1608	1	SA	
PC189	2203-005249	C-CER,CHIP;100nF,10%,50V,X7R,1608	1	SA		PC71	2203-005249	C-CER,CHIP;100nF,10%,50V,X7R,1608	1	SA	
PC19	2401-000414	C-AL;10uF,20%,16V,GP,TP,4x7,5	1	SA		PC72	2203-000236	C-CER,CHIP;0.1nF,5%,50V,C0G,1608	1	SA	
PC190	2401-000414	C-AL;10uF,20%,16V,GP,TP,4x7,5	1	SA		PC73	2203-005249	C-CER,CHIP;100nF,10%,50V,X7R,1608	1	SA	
PC191	2203-005249	C-CER,CHIP;100nF,10%,50V,X7R,1608	1	SA		PC74	2203-000236	C-CER,CHIP;0.1nF,5%,50V,C0G,1608	1	SA	

Exploded View & Part List

Loc. No.	Part No.	Description;Specification	Q'ty	SNA	Remark	Loc. No.	Part No.	Description;Specification	Q'ty	SNA	Remark
PC75	2203-006348	C-CER,CHIP;1000nF,10%,25V,X5R,1608	1	SA		PR124	2007-000695	R-CHIP;3.3ohm,5%,1/10W,TP,1608	1	SA	
PC76	2203-006348	C-CER,CHIP;1000nF,10%,25V,X5R,1608	1	SA							
PC77	2203-005249	C-CER,CHIP;100nF,10%,50V,X7R,1608	1	SA		PR125	2007-000695	R-CHIP;3.3ohm,5%,1/10W,TP,1608	1	SA	
PC78	2203-000236	C-CER,CHIP;0.1nF,5%,50V,C0G,1608	1	SA		PR126	2007-000695	R-CHIP;3.3ohm,5%,1/10W,TP,1608	1	SA	
PC79	2203-006348	C-CER,CHIP;1000nF,10%,25V,X5R,1608	1	SA		PR127	2007-000695	R-CHIP;3.3ohm,5%,1/10W,TP,1608	1	SA	
						PR128	2007-000695	R-CHIP;3.3ohm,5%,1/10W,TP,1608	1	SA	
PC8	2401-001492	C-AL;47uF,20%,16V,GP,-,5x7mm,2.5	1	SA		PR129	2007-000695	R-CHIP;3.3ohm,5%,1/10W,TP,1608	1	SA	
PC80	2203-006348	C-CER,CHIP;1000nF,10%,25V,X5R,1608	1	SA							
PC81	2401-002300	C-AL;47##F,20%,50V,GP,TP,6.3x11,5mm	1	SA		PR130	2007-000463	R-CHIP;18ohm,5%,1/10W,TP,1608	1	SA	
PC82	2401-002300	C-AL;47##F,20%,50V,GP,TP,6.3x11,5mm	1	SA		PR131	2007-000463	R-CHIP;18ohm,5%,1/10W,TP,1608	1	SA	
PC83	2203-005249	C-CER,CHIP;100nF,10%,50V,X7R,1608	1	SA		PR132	2007-000463	R-CHIP;18ohm,5%,1/10W,TP,1608	1	SA	
						PR133	2007-000463	R-CHIP;18ohm,5%,1/10W,TP,1608	1	SA	
PC84	2203-005249	C-CER,CHIP;100nF,10%,50V,X7R,1608	1	SA		PR134	2007-000463	R-CHIP;18ohm,5%,1/10W,TP,1608	1	SA	
PC85	2401-002300	C-AL;47##F,20%,50V,GP,TP,6.3x11,5mm	1	SA							
PC86	2203-005249	C-CER,CHIP;100nF,10%,50V,X7R,1608	1	SA		PR135	2007-000463	R-CHIP;18ohm,5%,1/10W,TP,1608	1	SA	
PC87	2203-001634	C-CER,CHIP;33nF,10%,50V,X7R,1608	1	SA		PR136	2007-000463	R-CHIP;18ohm,5%,1/10W,TP,1608	1	SA	
PC88	2203-001634	C-CER,CHIP;33nF,10%,50V,X7R,1608	1	SA		PR137	2007-000463	R-CHIP;18ohm,5%,1/10W,TP,1608	1	SA	
						PR138	2007-000463	R-CHIP;18ohm,5%,1/10W,TP,1608	1	SA	
PC89	2203-001634	C-CER,CHIP;33nF,10%,50V,X7R,1608	1	SA		PR139	2007-000463	R-CHIP;18ohm,5%,1/10W,TP,1608	1	SA	
PC9	2401-001492	C-AL;47uF,20%,16V,GP,-,5x7mm,2.5	1	SA							
PC90	2203-001634	C-CER,CHIP;33nF,10%,50V,X7R,1608	1	SA		PR14	2007-000052	R-CHIP;10Kohm,1%,1/10W,TP,1608	1	SA	
PC91	2203-001634	C-CER,CHIP;33nF,10%,50V,X7R,1608	1	SA		PR140	2007-000463	R-CHIP;18ohm,5%,1/10W,TP,1608	1	SA	
PC92	2203-001634	C-CER,CHIP;33nF,10%,50V,X7R,1608	1	SA		PR141	2007-000463	R-CHIP;18ohm,5%,1/10W,TP,1608	1	SA	
						PR15	2007-000052	R-CHIP;10Kohm,1%,1/10W,TP,1608	1	SA	
PC93	2203-001634	C-CER,CHIP;33nF,10%,50V,X7R,1608	1	SA		PR154	2007-002425	R-CHIP;1ohm,5%,1/10W,TP,1608	1	SA	
PC94	2203-001634	C-CER,CHIP;33nF,10%,50V,X7R,1608	1	SA							
PC95	2203-001634	C-CER,CHIP;33nF,10%,50V,X7R,1608	1	SA		PR155	2007-002425	R-CHIP;1ohm,5%,1/10W,TP,1608	1	SA	
PC96	2203-001634	C-CER,CHIP;33nF,10%,50V,X7R,1608	1	SA		PR156	2007-002425	R-CHIP;1ohm,5%,1/10W,TP,1608	1	SA	
PC97	2203-001634	C-CER,CHIP;33nF,10%,50V,X7R,1608	1	SA		PR157	2007-002425	R-CHIP;1ohm,5%,1/10W,TP,1608	1	SA	
						PR158	2007-002425	R-CHIP;1ohm,5%,1/10W,TP,1608	1	SA	
PC98	2203-001634	C-CER,CHIP;33nF,10%,50V,X7R,1608	1	SA		PR159	2007-002425	R-CHIP;1ohm,5%,1/10W,TP,1608	1	SA	
PC99	2203-006348	C-CER,CHIP;1000nF,10%,25V,X5R,1608	1	SA							
PCB_AMPAH41-01126A	PCB-AMP;HT-X715 AMP PCB,EPOXY,2,0,1	1	SNA			PR160	2007-002425	R-CHIP;1ohm,5%,1/10W,TP,1608	1	SA	
PCON1	3711-003107	HEADER-BOARD TO CABLE;BOX,3P,1R,2.5	1	SA		PR161	2007-002425	R-CHIP;1ohm,5%,1/10W,TP,1608	1	SA	
PCON2	AH39-01021A	WIRE HARNESS-AMP PVDD;HT-x715,3P-3B	1	SA		PR162	2007-002425	R-CHIP;1ohm,5%,1/10W,TP,1608	1	SA	
						PR163	2007-002425	R-CHIP;1ohm,5%,1/10W,TP,1608	1	SA	
PCON4	3708-001058	CONNECTOR-FPC/FFC/PIC;30P,1MM,STRAI	1	SA		PR164	2007-002425	R-CHIP;1ohm,5%,1/10W,TP,1608	1	SA	
PD1	0401-001099	DIODE-SWITCHING;1N4148WS,75V,150mA,	1	SA							
PD2	0401-001090	DIODE-SWITCHING;1SS355,80V,100MA,SO	1	SA		PR165	2007-002425	R-CHIP;1ohm,5%,1/10W,TP,1608	1	SA	
PD3	0401-001090	DIODE-SWITCHING;1SS355,80V,100MA,SO	1	SA		PR166	2007-000052	R-CHIP;10Kohm,1%,1/10W,TP,1608	1	SA	
PR1	2007-000097	R-CHIP;47Kohm,5%,1/10W,TP,1608	1	SA		PR17	2007-000052	R-CHIP;10Kohm,1%,1/10W,TP,1608	1	SA	
						PR170	2007-000090	R-CHIP;10Kohm,5%,1/10W,TP,1608	1	SA	
PR10	2007-000052	R-CHIP;10Kohm,1%,1/10W,TP,1608	1	SA		PR171	2007-000070	R-CHIP;0ohm,5%,1/10W,TP,1608	1	SA	
PR101	2007-000070	R-CHIP;0ohm,5%,1/10W,TP,1608	1	SA							
PR102	2007-000070	R-CHIP;0ohm,5%,1/10W,TP,1608	1	SA		PR172	2007-000090	R-CHIP;10Kohm,5%,1/10W,TP,1608	1	SA	
PR104	2007-000070	R-CHIP;0ohm,5%,1/10W,TP,1608	1	SA		PR173	2007-000070	R-CHIP;0ohm,5%,1/10W,TP,1608	1	SA	
PR106	2007-000070	R-CHIP;0ohm,5%,1/10W,TP,1608	1	SA		PR174	2007-000090	R-CHIP;10Kohm,5%,1/10W,TP,1608	1	SA	
						PR175	2007-000070	R-CHIP;0ohm,5%,1/10W,TP,1608	1	SA	
PR107	2007-000070	R-CHIP;0ohm,5%,1/10W,TP,1608	1	SA		PR18	2007-000097	R-CHIP;47Kohm,5%,1/10W,TP,1608	1	SA	
PR108	2007-000034	R-CHIP;1ohm,5%,1/4W,TP,3216	1	SA							
PR109	2007-000312	R-CHIP;10ohm,5%,1/4W,TP,3216	1	SA		PR19	2007-000052	R-CHIP;10Kohm,1%,1/10W,TP,1608	1	SA	
PR11	2007-000113	R-CHIP;33ohm,5%,1/10W,TP,1608	1	SA		PR2	2007-000253	R-CHIP;1.5ohm,5%,1/4W,TP,3216	1	SA	
PR110	2007-000090	R-CHIP;10Kohm,5%,1/10W,TP,1608	1	SA		PR20	2007-000097	R-CHIP;47Kohm,5%,1/10W,TP,1608	1	SA	
						PR22	2007-000097	R-CHIP;47Kohm,5%,1/10W,TP,1608	1	SA	
PR111	2007-000312	R-CHIP;10ohm,5%,1/4W,TP,3216	1	SA		PR23	2007-000072	R-CHIP;47ohm,5%,1/10W,TP,1608	1	SA	
PR112	2007-000312	R-CHIP;10ohm,5%,1/4W,TP,3216	1	SA							
PR113	2007-000034	R-CHIP;1ohm,5%,1/4W,TP,3216	1	SA		PR24	2007-000072	R-CHIP;47ohm,5%,1/10W,TP,1608	1	SA	
PR114	2007-000034	R-CHIP;1ohm,5%,1/4W,TP,3216	1	SA		PR25	2007-000072	R-CHIP;47ohm,5%,1/10W,TP,1608	1	SA	
PR115	2007-000312	R-CHIP;10ohm,5%,1/4W,TP,3216	1	SA		PR26	2007-000072	R-CHIP;47ohm,5%,1/10W,TP,1608	1	SA	
						PR27	2007-000072	R-CHIP;47ohm,5%,1/10W,TP,1608	1	SA	
PR116	2007-000312	R-CHIP;10ohm,5%,1/4W,TP,3216	1	SA		PR29	2007-000052	R-CHIP;10Kohm,1%,1/10W,TP,1608	1	SA	
PR117	2007-000312	R-CHIP;10ohm,5%,1/4W,TP,3216	1	SA							
PR118	2007-000312	R-CHIP;10ohm,5%,1/4W,TP,3216	1	SA		PR3	2007-000309	R-CHIP;10ohm,5%,1/10W,TP,1608	1	SA	
PR119	2007-000312	R-CHIP;10ohm,5%,1/4W,TP,3216	1	SA		PR30	2007-000052	R-CHIP;10Kohm,1%,1/10W,TP,1608	1	SA	
PR12	2007-000052	R-CHIP;10Kohm,1%,1/10W,TP,1608	1	SA		PR31	2007-000094	R-CHIP;22Kohm,5%,1/10W,TP,1608	1	SA	
						PR32	2007-000052	R-CHIP;10Kohm,1%,1/10W,TP,1608	1	SA	
PR120	2007-000312	R-CHIP;10ohm,5%,1/4W,TP,3216	1	SA		PR37	2007-000052	R-CHIP;10Kohm,1%,1/10W,TP,1608	1	SA	
PR121	2007-000312	R-CHIP;10ohm,5%,1/4W,TP,3216	1	SA							
PR122	2007-000312	R-CHIP;10ohm,5%,1/4W,TP,3216	1	SA		PR38	2007-000097	R-CHIP;47Kohm,5%,1/10W,TP,1608	1	SA	
PR123	2007-000312	R-CHIP;10ohm,5%,1/4W,TP,3216	1	SA		PR4	2007-000309	R-CHIP;10ohm,5%,1/10W,TP,1608	1	SA	

Loc. No.	Part No.	Description;Specification	Q'ty	SNA	Remark	Loc. No.	Part No.	Description;Specification	Q'ty	SNA	Remark
PR40	2007-000094	R-CHIP;22Kohm,5%,1/10W,TP,1608	1		SA	RM01	0609-001202	MODULE REMOCON;HORIZONTAL,12.4mm,TR	1		SA
PR42	2007-000072	R-CHIP;47ohm,5%,1/10W,TP,1608	1		SA	RM02	0609-001202	MODULE REMOCON;HORIZONTAL,12.4mm,TR	1		SA
PR43	2007-002425	R-CHIP;1ohm,5%,1/10W,TP,1608	1		SA	RMCN1	3708-002140	CONNECTOR-FPC/FFC/PIC;5P,1MM,SMD-S,	1		SA
PR44	2007-000094	R-CHIP;22Kohm,5%,1/10W,TP,1608	1		SA	RMCN2	3708-002140	CONNECTOR-FPC/FFC/PIC;5P,1MM,SMD-S,	1		SA
PR45	2007-000097	R-CHIP;47Kohm,5%,1/10W,TP,1608	1		SA	SCREW_HEAT_SINK	6003-000276				SCREW-
PR46	2007-000052	R-CHIP;10Kohm,1%,1/10W,TP,1608	1		SA	TAPTITE,BH,+,-,B,M3,L10,ZPC(W			6		SA
PR47	2001-000415	R-CARBON;18ohm,5%,1/4W,AA,TP,2.4x6.	1		SA	SENSOR1AH32-00009A	SENSOR HUMIDITY;SPSF,HT-DS1000,5V,1		1		SA
PR48	2007-000094	R-CHIP;22Kohm,5%,1/10W,TP,1608	1		SA	SENSOR1	2007-000078	R-CHIP;1Kohm,5%,1/10W,TP,1608	1		SA
PR49	2001-001165	R-CARBON(S);56ohm,5%,1/2W,AA,TP,2.4	1		SA	SHEET_AMP	AH63-01694A	SHEET-AMP;HT-X715,PC,T0.5,W100,L57,	1		SNA
PR50	2003-000674	R-METAL OXIDE(S);39ohm,5%,1W,AA,TP,	1		SA	SHEET_FILTER	AH63-01558A	SHEET-FILTER;HT-A100,PC,T0.3,W36,L1	1		SNA
PR51	2007-000116	R-CHIP;120ohm,5%,1/10W,TP,1608	1		SA	SKP1	3716-001275	TERMINAL-BLOCK;WIRE TYPE,12P,21mm,4	1		SA
PR52	2007-000072	R-CHIP;47ohm,5%,1/10W,TP,1608	1		SA	SUPPORT_RIVET	AH61-40014A	SUPPORT-RIVET;+,-,-,-,-,-,-	2		SA
PR53	2007-000109	R-CHIP;1Mohm,5%,1/10W,TP,1608	1		SA	U1	1204-002627	IC-MODULATOR;PS9829B,LQFP,100P,14x1	1		SA
PR54	2007-000084	R-CHIP;4.7Kohm,5%,1/10W,TP,1608	1		SA	UCN11	3711-000471	HEADER-BOARD TO CABLE;3WALL,4P,1R,2	1		SA
PR55	2007-000097	R-CHIP;47Kohm,5%,1/10W,TP,1608	1		SA	USB1	3722-001051	JACK-USB;4P/1C,AU,BLK,ANGLE,A TYPE	1		SA
PR56	2007-000090	R-CHIP;10Kohm,5%,1/10W,TP,1608	1		SA	USC50	2401-001508	C-AL;47uF,20%,16V,GP,TP,6.3x5,5	1		SA
PR57	2007-000113	R-CHIP;33ohm,5%,1/10W,TP,1608	1		SA	USC51	2203-000257	C-CER,CHIP;10nF,10%,50V,X7R,TP,1608	1		SA
PR58	2007-000082	R-CHIP;3.3Kohm,5%,1/10W,TP,1608	1		SA	USC53	2203-005148	C-CER,CHIP;100nF,10%,16V,X7R,TP,160	1		SA
PR59	2007-000134	R-CHIP;33Kohm,5%,1/10W,TP,1608	1		SA	USD1	0401-001090	DIODE-SWITCHING;1SS355,80V,100MA,SO	1		SA
PR60	2007-000090	R-CHIP;10Kohm,5%,1/10W,TP,1608	1		SA	USD2	0401-001090	DIODE-SWITCHING;1SS355,80V,100MA,SO	1		SA
PR61	2007-000097	R-CHIP;47Kohm,5%,1/10W,TP,1608	1		SA	VFD1	AH97-02494A	ASSY-VFD DISPLAY;VFD (Driver IC+con	1		SA
PR62	2007-000074	R-CHIP;100ohm,5%,1/10W,TP,1608	1		SA	VFDHOLDER	AH61-02523A	HOLDER-VFD;HT-A100,ABS,T1.5,W32.3,L	1		SA
PR63	2007-000097	R-CHIP;47Kohm,5%,1/10W,TP,1608	1		SA	WCN11	3709-001287	CONNECTOR-CARD SLOT;10P,1.5mm,SMD-A	1		SA
PR64	2007-000074	R-CHIP;100ohm,5%,1/10W,TP,1608	1		SA	WCON11	3710-001980	SOCKET-BOARD TO CABLE;16P,2R,2mm,ST	1		SA
PR65	2007-000097	R-CHIP;47Kohm,5%,1/10W,TP,1608	1		SA	WCON12	3711-006418	HEADER-BOARD TO BOARD;NOWALL,16P,2R	1		SA
PR66	2007-000074	R-CHIP;100ohm,5%,1/10W,TP,1608	1		SA	X1	2801-004354	CRYSTAL-UNIT;12.288MHZ,30PPM,ATS-49	1		SA
PR67	2007-000074	R-CHIP;100ohm,5%,1/10W,TP,1608	1		SA	XIC1	AH14-10004R	IC-CMOS LOGIC;74HCU04,-,SOP,14P,-,-	1		SA
PR68	2007-000097	R-CHIP;47Kohm,5%,1/10W,TP,1608	1		SA	XIC2	1203-003526	IC-VOL. DETECTOR;KIA7029AF,TO-92,3P	1		SA
PR69	2007-000072	R-CHIP;47ohm,5%,1/10W,TP,1608	1		SA	AH99-10014B	ASSY AUTO INSERT-PCB-AMP;-HT-X715,	1			SNA
PR70	2007-000072	R-CHIP;47ohm,5%,1/10W,TP,1608	1		SA						
PR71	2007-000072	R-CHIP;47ohm,5%,1/10W,TP,1608	1		SA	AH92-02839A	ASSY PCB-BLUETOOTH;HT-X715,BLUETOOT	1			SA
PR72	2007-000072	R-CHIP;47ohm,5%,1/10W,TP,1608	1		SA	ANT1	AH42-00029A	ANTENNA PIFA;ACS2450OCBXX,HT-Z310,2	1		SA
PR73	2007-000072	R-CHIP;47ohm,5%,1/10W,TP,1608	1		SA	BD1	3301-001364	BEAD-SMD;1000ohm,1608,150mA,TP,1085	1		SA
PR74	2007-000072	R-CHIP;47ohm,5%,1/10W,TP,1608	1		SA	BD2	3301-001364	BEAD-SMD;1000ohm,1608,150mA,TP,1085	1		SA
PR75	2007-000072	R-CHIP;47ohm,5%,1/10W,TP,1608	1		SA	BD3	3301-001364	BEAD-SMD;1000ohm,1608,150mA,TP,1085	1		SA
PR76	2007-000072	R-CHIP;47ohm,5%,1/10W,TP,1608	1		SA	BT_PCB	AH41-01110B	PCB-BLUETOOTH;HT-X810,FR4,2,-,1.6T,	0.029		SNA
PR77	2007-000072	R-CHIP;47ohm,5%,1/10W,TP,1608	1		SA	C10	2203-006324	C-CER,CHIP;2200nF,10%,10V,X5R,1608	1		SA
PR78	2007-000072	R-CHIP;47ohm,5%,1/10W,TP,1608	1		SA	C11	2203-005148	C-CER,CHIP;100nF,10%,16V,X7R,TP,160	1		SA
PR79	2007-000072	R-CHIP;47ohm,5%,1/10W,TP,1608	1		SA	C12	2203-005148	C-CER,CHIP;100nF,10%,16V,X7R,TP,160	1		SA
PR8	2007-000052	R-CHIP;10Kohm,1%,1/10W,TP,1608	1		SA	C13	2203-006427	C-CER,CHIP;4700nF,10%,16V,X5R,-,201	1		SA
PR80	2007-000072	R-CHIP;47ohm,5%,1/10W,TP,1608	1		SA	C14	2203-006427	C-CER,CHIP;4700nF,10%,16V,X5R,-,201	1		SA
PR84	2007-000070	R-CHIP;0ohm,5%,1/10W,TP,1608	1		SA	C16	2203-005148	C-CER,CHIP;100nF,10%,16V,X7R,TP,160	1		SA
PR85	2007-000094	R-CHIP;22Kohm,5%,1/10W,TP,1608	1		SA	C17	2203-005148	C-CER,CHIP;100nF,10%,16V,X7R,TP,160	1		SA
PR86	2007-000070	R-CHIP;0ohm,5%,1/10W,TP,1608	1		SA	C18	2203-000257	C-CER,CHIP;10nF,10%,50V,X7R,TP,1608	1		SA
PR87	2007-000070	R-CHIP;0ohm,5%,1/10W,TP,1608	1		SA	C19	2203-000332	C-CER,CHIP;0.012nF,5%,50V,COG,1608	1		SA
PR88	2007-000094	R-CHIP;22Kohm,5%,1/10W,TP,1608	1		SA	C2	2203-006324	C-CER,CHIP;2200nF,10%,10V,X5R,1608	1		SA
PR89	2007-000070	R-CHIP;0ohm,5%,1/10W,TP,1608	1		SA	C21	2203-005148	C-CER,CHIP;100nF,10%,16V,X7R,TP,160	1		SA
PR9	2007-000113	R-CHIP;33ohm,5%,1/10W,TP,1608	1		SA	C22	2203-000384	C-CER,CHIP;0.015nF,5%,50V,COG,1608	1		SA
PR90	2007-000070	R-CHIP;0ohm,5%,1/10W,TP,1608	1		SA	C23	2203-006427	C-CER,CHIP;4700nF,10%,16V,X5R,-,201	1		SA
PR91	2007-000070	R-CHIP;0ohm,5%,1/10W,TP,1608	1		SA	C4	2203-001083	C-CER,CHIP;0.0050nF,0.1pF,50V,NP0,1	1		SA
PR92	2007-000070	R-CHIP;0ohm,5%,1/10W,TP,1608	1		SA	C5	2203-001083	C-CER,CHIP;0.0050nF,0.1pF,50V,NP0,1	1		SA
PR93	2007-000094	R-CHIP;22Kohm,5%,1/10W,TP,1608	1		SA	C6	2203-006427	C-CER,CHIP;4700nF,10%,16V,X5R,-,201	1		SA
PR94	2007-000090	R-CHIP;10Kohm,5%,1/10W,TP,1608	1		SA	C7	2203-006324	C-CER,CHIP;2200nF,10%,10V,X5R,1608	1		SA
PR95	2007-000090	R-CHIP;10Kohm,5%,1/10W,TP,1608	1		SA	C8	2203-005148	C-CER,CHIP;100nF,10%,16V,X7R,TP,160	1		SA
PR96	2007-000070	R-CHIP;0ohm,5%,1/10W,TP,1608	1		SA	C9	2203-000257	C-CER,CHIP;10nF,10%,50V,X7R,TP,1608	1		SA
PR97	2007-000090	R-CHIP;10Kohm,5%,1/10W,TP,1608	1		SA	CON1	3708-002061	CONNECTOR-FPC/FFC/PIC;7P,1mm,SMD-A,	1		SA
PR98	2007-000090	R-CHIP;10Kohm,5%,1/10W,TP,1608	1		SA	IC1	4709-001606	BLUETOOTH MODULE;BTEM39B2SB,2400-24	1		SA
PR99	2007-000090	R-CHIP;10Kohm,5%,1/10W,TP,1608	1		SA	IC2	1203-002776	IC-POSI.FIXED REG.;G914D/MIC5255,SO	1		SA
						IC3	1203-002776	IC-POSI.FIXED REG.;G914D/MIC5255,SO	1		SA

Exploded View & Part List

Loc. No.	Part No.	Description;Specification	Q'ty	SNA	Remark	Loc. No.	Part No.	Description;Specification	Q'ty	SNA	Remark
IC4	0801-000305	IC-CMOS LOGIC;7SU04,INVERTER,SOP,5P	1	SA		FR8	2007-000107	R-CHIP;470Kohm,5%,1/10W,TP,1608	1	SA	
L1	2203-002663	C-CER,CHIP;3pF,10%,50V,X7R,TP,1608,	1	SA		FR9	2007-000107	R-CHIP;470Kohm,5%,1/10W,TP,1608	1	SA	
L2	2703-001167	INDUCTOR-SMD;8.2nH,5%,1608	1	SA		FWN1	3708-002023	CONNECTOR-FPC/FFC/PIC;6P,1MM,SMD-S,	1	SA	
R1	2007-000102	R-CHIP;100Kohm,5%,1/10W,TP,1608	1	SA		FZD1	0403-001064	DIODE-ZENER;RLZ5.1B,4.94-5.2V,500mW	1	SA	
R2	2007-000077	R-CHIP;470ohm,5%,1/10W,TP,1608	1	SA		FZD2	0403-001064	DIODE-ZENER;RLZ5.1B,4.94-5.2V,500mW	1	SA	
R3	2007-000120	R-CHIP;680ohm,5%,1/10W,TP,1608	1	SA		FZD3	0403-001064	DIODE-ZENER;RLZ5.1B,4.94-5.2V,500mW	1	SA	
R4	2007-000090	R-CHIP;10Kohm,5%,1/10W,TP,1608	1	SA		FZD4	0403-001064	DIODE-ZENER;RLZ5.1B,4.94-5.2V,500mW	1	SA	
R5	2007-001026	R-CHIP;560Kohm,5%,1/10W,TP,1608	1	SA		FZD5	0403-001064	DIODE-ZENER;RLZ5.1B,4.94-5.2V,500mW	1	SA	
R6	2007-000074	R-CHIP;100ohm,5%,1/10W,TP,1608	1	SA		FZD6	0403-001064	DIODE-ZENER;RLZ5.1B,4.94-5.2V,500mW	1	SA	
R7	2007-000074	R-CHIP;100ohm,5%,1/10W,TP,1608	1	SA		FZD7	0403-001064	DIODE-ZENER;RLZ5.1B,4.94-5.2V,500mW	1	SA	
R8	2007-000074	R-CHIP;100ohm,5%,1/10W,TP,1608	1	SA		FZD8	0403-001064	DIODE-ZENER;RLZ5.1B,4.94-5.2V,500mW	1	SA	
R9	2007-000305	R-CHIP;10Mohm,5%,1/10W,TP,1608	1	SA		FZD9	0403-001064	DIODE-ZENER;RLZ5.1B,4.94-5.2V,500mW	1	SA	
X-TAL1	2801-003856	CRYSTAL-SMD;0.032768MHz,20ppm,28-AC	1	SA		OESD1	0406-001128	DIODE-TVS;MLVS-0603-E08,50V,-,-	1	SA	
	AH99-10014D	ASSY AUTO INSERT-PCB-BLUETOOTH;-HT	1	SNA		PCB_KEY AH41-01125A	PCB-KEY;HT-X715 KEY PCB,EPOXY,2,0,1	0.167	SNA		
	AH97-02752C ASSY-SMPS KITTING;HT-X715,176C XEF		1	SNA		TP10	1209-001742	IC-SENSOR;SS02,SOT26,6P,2.9x1.6mm,P	1	SA	
	6003-000276	SCREW-TAPTITE;BH,+,-,B,M3,L10,ZPC(W	1	SA		TP11	1209-001742	IC-SENSOR;SS02,SOT26,6P,2.9x1.6mm,P	1	SA	
	AH44-00176C	SMPS;HT-X710,HECK-X71000-C,QRC,165W	1	SA		TP12	1209-001742	IC-SENSOR;SS02,SOT26,6P,2.9x1.6mm,P	1	SA	
	AH61-02582A	HOLDER-SMPS;HT-X715,HIPS 94V0,T1.5,	1	SA		TP14	1209-001742	IC-SENSOR;SS02,SOT26,6P,2.9x1.6mm,P	1	SA	
	AH92-02834A ASSY PCB-KEY;HT-X715 KEY PCB,EXPOXY		1	SA		TP16	1209-001742	IC-SENSOR;SS02,SOT26,6P,2.9x1.6mm,P	1	SA	
FC1	2203-000189	C-CER,CHIP;100nF,+80-20%,25V,Y5V,16	1	SA		TP17	1209-001742	IC-SENSOR;SS02,SOT26,6P,2.9x1.6mm,P	1	SA	
FC10	2203-000189	C-CER,CHIP;100nF,+80-20%,25V,Y5V,16	1	SA		TP4	1209-001742	IC-SENSOR;SS02,SOT26,6P,2.9x1.6mm,P	1	SA	
FC11	2203-000189	C-CER,CHIP;100nF,+80-20%,25V,Y5V,16	1	SA		TP5	1209-001742	IC-SENSOR;SS02,SOT26,6P,2.9x1.6mm,P	1	SA	
FC2	2203-005148	C-CER,CHIP;100nF,10%,16V,X7R,TP,160	1	SA		TP6	1209-001742	IC-SENSOR;SS02,SOT26,6P,2.9x1.6mm,P	1	SA	
FC3	2203-005148	C-CER,CHIP;100nF,10%,16V,X7R,TP,160	1	SA		AH99-10014A	ASSY AUTO INSERT-PCB-KEY;-HT-X715,	1	SNA		
FC4	2203-000189	C-CER,CHIP;100nF,+80-20%,25V,Y5V,16	1	SA		AH97-02897C ASSY-ACCESSORY;EDC,HT-X715,-	1	SNA			
FC5	2203-000189	C-CER,CHIP;100nF,+80-20%,25V,Y5V,16	1	SA		3301-000144	CORE-FERRITE;AE,34.5x12.5x32.5mm,15	1	SNA		
FC6	2203-000189	C-CER,CHIP;100nF,+80-20%,25V,Y5V,16	1	SA		4301-000116	BATTERY-ALKALINE;9V,-,-,17.5x26.5x4	2	SA		
FC7	2203-000189	C-CER,CHIP;100nF,+80-20%,25V,Y5V,16	1	SA		6902-000385	BAG PE;LDPE,T0.03,W250,L350,TRP,8,1	2	SNA		
FC8	2203-000189	C-CER,CHIP;100nF,+80-20%,25V,Y5V,16	1	SA		AH30-00099A	MICROPHONE-ASSY;10V,150 to 450uA,-,	1	SA		
FC9	2203-000189	C-CER,CHIP;100nF,+80-20%,25V,Y5V,16	1	SA		AH39-00721A	CBF MODULE CABLE;HT-DS1000,19,3000,	1	SA		
FCN1	3711-003591	HEADER-BOARD TO CABLE;BOX,4P,1R,2mm	1	SA		AH39-40001V	CABLE-AUDIO CABLE;-,-,1P-1P,3000mm,	1	SA		
FCN3	3711-003591	HEADER-BOARD TO CABLE;BOX,4P,1R,2mm	1	SA		AH42-00021A	ANT FM T;T18011F-1,75 ohm,1800mm	1	SA		
FD1	0601-001226	LED;SMD,RED,1.2x0.8mm,660nm,1.6x0.	1	SA		AH68-00650L	MARK RECYCLE;YP-P2,ELS,ENG,-,MOJO40	1	SA		
FR1	2007-000082	R-CHIP;3.3Kohm,5%,1/10W,TP,1608	1	SA		AH68-02090F	MANUAL USERS;HT-X715,EDC,ENG/FRA/GE	1	SA		
FR10	2007-000124	R-CHIP;2.2Kohm,5%,1/10W,TP,1608	1	SA		AH68-02090G	MANUAL USERS;HT-X715,EDC,POL/HUN/SK	1	SA		
FR11	2007-000079	R-CHIP;1.8Kohm,5%,1/10W,TP,1608	1	SA		AH68-02090H	MANUAL USERS;HT-X715,EDC,GRE/ROM/BG	1	SA		
FR12	2007-000123	R-CHIP;1.5Kohm,5%,1/10W,TP,1608	1	SA		AH68-50254B	LABEL-SERIAL;ART PAPER,T0.1,L10,W45	1.05	SNA		
FR13	2007-000107	R-CHIP;470Kohm,5%,1/10W,TP,1608	1	SA		AH81-02286C	A/S-EYEGLASS CLOTH;HT-TXQ120,POLY-B	1	SNA		
FR16	2007-000078	R-CHIP;1Kohm,5%,1/10W,TP,1608	1	SA		AH59-01907P	REMOCON-ASSY;HT-X715/EXP,SAMSUNG,23	1	SA		
FR17	2007-000122	R-CHIP;1.2Kohm,5%,1/10W,TP,1608	1	SA		AH69-02268B	MASTER CARTON;HT-X715/XEF,PAPER,T7,	1.03	SNA		
FR18	2007-000107	R-CHIP;470Kohm,5%,1/10W,TP,1608	1	SA							
FR19	2007-000107	R-CHIP;470Kohm,5%,1/10W,TP,1608	1	SA							
FR2	2007-000107	R-CHIP;470Kohm,5%,1/10W,TP,1608	1	SA							
FR20	2007-000078	R-CHIP;1Kohm,5%,1/10W,TP,1608	1	SA							
FR21	2007-000078	R-CHIP;1Kohm,5%,1/10W,TP,1608	1	SA							
FR22	2007-000078	R-CHIP;1Kohm,5%,1/10W,TP,1608	1	SA							
FR23	2007-000078	R-CHIP;1Kohm,5%,1/10W,TP,1608	1	SA							
FR24	2007-000078	R-CHIP;1Kohm,5%,1/10W,TP,1608	1	SA							
FR25	2007-000078	R-CHIP;1Kohm,5%,1/10W,TP,1608	1	SA							
FR26	2007-000078	R-CHIP;1Kohm,5%,1/10W,TP,1608	1	SA							
FR27	2007-000078	R-CHIP;1Kohm,5%,1/10W,TP,1608	1	SA							
FR28	2007-000078	R-CHIP;1Kohm,5%,1/10W,TP,1608	1	SA							
FR3	2007-000084	R-CHIP;4.7Kohm,5%,1/10W,TP,1608	1	SA							
FR4	2007-000107	R-CHIP;470Kohm,5%,1/10W,TP,1608	1	SA							
FR6	2007-000107	R-CHIP;470Kohm,5%,1/10W,TP,1608	1	SA							
FR7	2007-000107	R-CHIP;470Kohm,5%,1/10W,TP,1608	1	SA							