

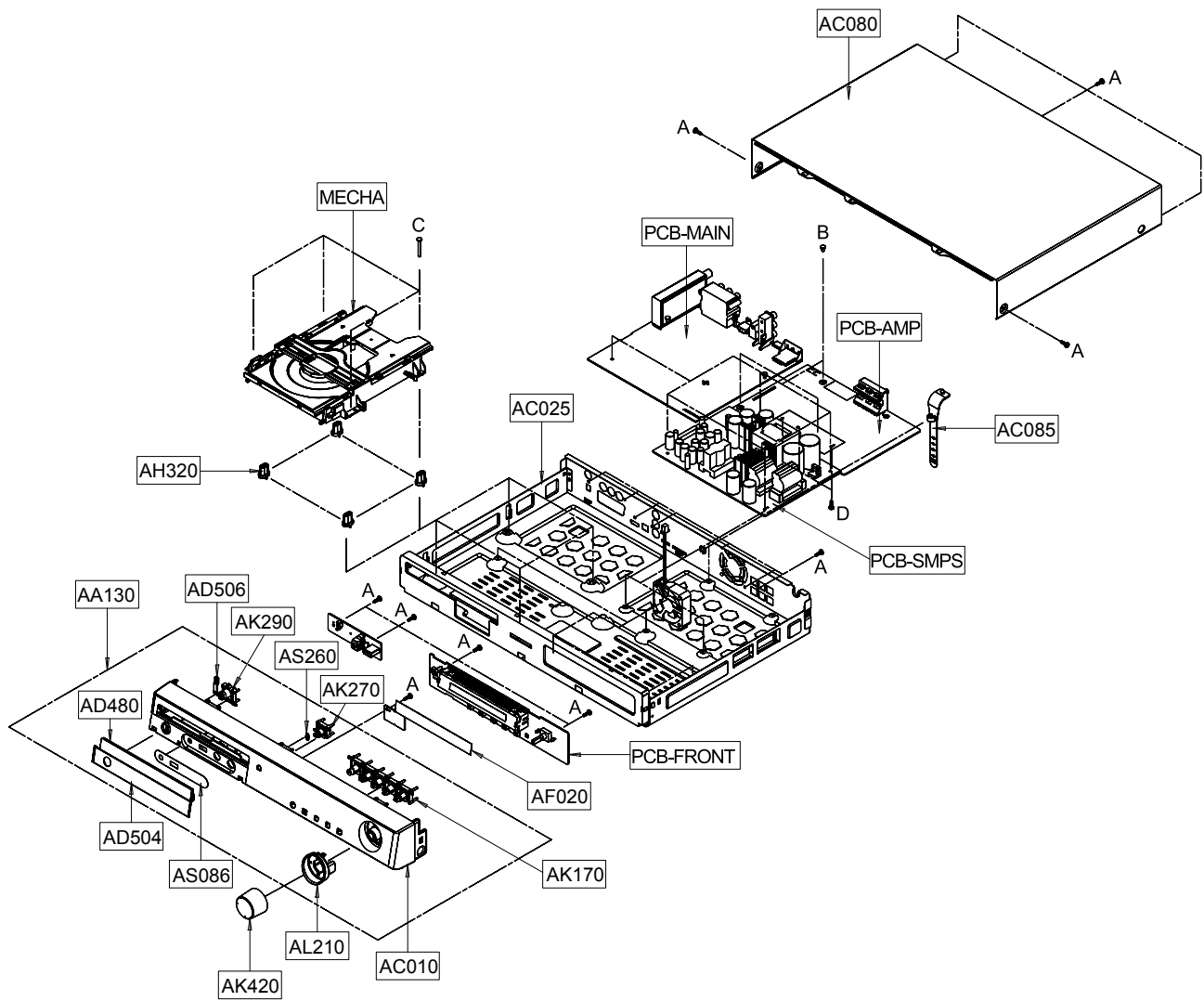
---

## 5. Exploded View & Part List

---

<b>5-1</b>	<b>Exploded View .....</b>	<b>5-2</b>
<b>5-2</b>	<b>Speaker System.....</b>	<b>5-4</b>
<b>5-3</b>	<b>Electrical Part List.....</b>	<b>5-5</b>

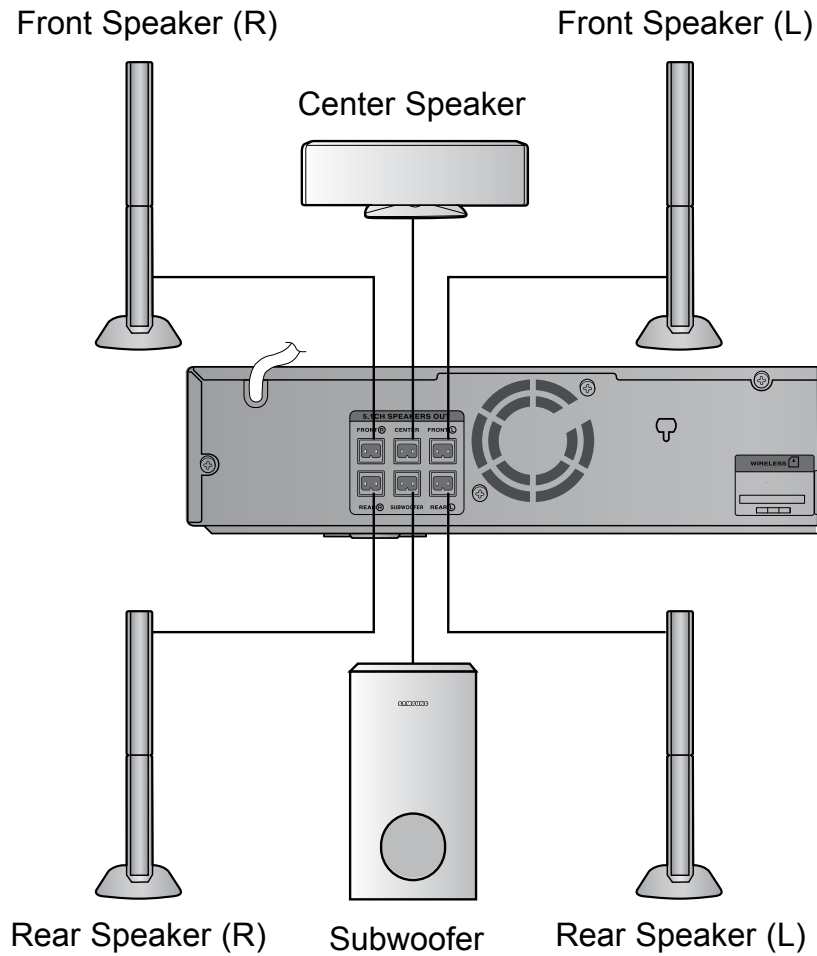
## 5-1 Exploded View



## Part List

Loc. No.	Code No.	Description;Specification	Q'ty	SNA	Remark
AA130	AH97-02546X	ASSY-FRONT;ASSY,HT-KZ310,KOR	1	SA	
AC010	AH64-04466T	CABINET FRONT;HT-Z312/KOR,PMMA+ABS,T2.5,	1	SNA	
AC025	AH64-04467C	CABINET-BOTTOM-REAR;HT-Z210/EUR,SECC,T0.	1	SNA	
AC080	AH64-03791E	CABINET-TOP;HT-X30,PCM,T2.2,-,-,-,PCM	1	SA	
AC085	6502-001048	CABLE CLAMP;DACW130,-,T1.0,PE,BLK	1	SA	
AD480	AH64-04468A	DOOR-CD;HT-Z210,ABS+PMMA,T2.5,-,-,-,-,	1	SA	
AD504	AH64-04469C	DOOR-HIDDEN;HT-Z210/EUR,ABS+PMMA,T2.5,-,	1	SA	
AD506	AH64-04470A	DOOR-LOCK;HT-Z210,POM,T2.5,-,-,-,-,-	1	SA	
AF020	AH63-01537A	FILTER-VFD;HT-Z410/510,PMMA,T0.3,W134.6,	1	SA	
AH320	AH61-02182A	HOLDER-MEHCA;HT-Q9,ABS,-,-,-,-,-	4	SA	
AK170	AH64-04471A	KNOB-FUNCTION;HT-Z210,ABS,T2.0,-,-,-,-,-	1	SA	
AK270	AH64-04473A	KNOB-OPEN;HT-Z210,ABS,T2.0,-,-,-,-,-	1	SA	
AK290	AH64-04472A	KNOB-POWER;HT-Z210,ABS,T2.0,-,-,-,-,-	1	SA	
AK420	AH64-04474A	KNOB-VOLUME;HT-Z210,ABS,T2.0,-,-,-,-,-	1	SA	
AL210	AH67-00493A	LENS-VOLUME;HT-Z310,PMMA+ABS,-,-,-,-,-	1	SA	
AS086	AH63-01552A	SHEET-JACK;HT-Z210,PC,T0.3,-,-,-,-,-	1	SNA	
AS260	AH61-02527A	SPRING ETC-DOOR;HT-Z310,STS 304 WPS,0.2,	1	SA	
MECHA	AH97-01831A	ASSY DVD DECK-SDM-D1FL;BASIC-TYPE,CMS-S7	1	SA	
PCB-AMP	AH92-02790A	ASSY PCB-AMP ASSY;HT-Z310,ASSY PCB-AMP	1	SA	
PCB-FRONT	AH92-02789A	ASSY PCB-FRONT ASSY;HT-Z310,ASSY PCB-FRO	1	SA	
PCB-MAIN	AH92-02788A	ASSY PCB-MAIN ASSY;HT-Z310,ASSY PCB-MAIN	1	SA	
PCB-SMPS	AH44-00148A	SMPS;HT-X30,ORTP-616,AC/DC,800W(Aud	1	SA	
A	6003-000275	SCREW-TAPTITE;BH,+,-,B,M3,L10,ZPC(BLK),S	16	SNA	
B	6003-001561	SCREW-TAPTITE;BH,+,-,B,M3,L6,ZPC(WHT),SW	8	SNA	
C	6003-000280	SCREW-TAPTITE;BH,+,-,B,M3,L25,ZPC(WHT),S	4	SNA	
D	6003-000276	SCREW-TAPTITE;BH,+,-,B,M3,L10,ZPC(WHT),S	4	SNA	

## 5-2 Speaker System



### Part List

Loc. No.	Code No.	Description;Specification	Q'ty	SNA	Remark
Front Speaker (R)	AH81-03855A	SPEAKER-FRONT; PS-TZ315,FRONT SPEAKER SYSTEM,CHANNEL : RIGHT,-,-,-,-	1	SA	
Front Speaker (L)	AH81-03855B	SPEAKER-FRONT; PS-TZ315,FRONT SPEAKER SYSTEM,CHANNEL:LEFT,JERSEY TYPE,5.1 CHANN	1	SA	
Center Speaker	AH81-03855E	SPEAKER-CENTER; PS-TZ315,CENTER SPK SYSTEM,-,JERSEY TYPE,5.1 CHANNEL,-,-	1	SA	
Rear Speaker (R)	AH81-03855C	SPEAKER-REAR; PS-TZ315,REAR SPEAKER SYSTEM,CHANNEL:RIGHT,JERSEY TYPE,5.1 CHAN	1	SA	
Rear Speaker (L)	AH81-03855D	SPEAKER-REAR; PS-TZ315,REAR SPEAKER SYSTEM,CHANNEL: LEFT,JERSEY TYPE,5.1 CHANN	1	SA	
Subwoofer	AH81-03855F	SPEAKER-SUBWOOFER;PS-TZ315,SUBWOOFER SPK SYSTEM,-,JERSEY TYPE,5.1 CHANNEL	1	SA	
Speaker Wire	AH81-02177B	SPEAKER; PS-TZ312,SUBWOOFER SPK SYSTEM,-,JERSEY TYPE,5.1 CHANNEL,-,-	1	SA	

## 5-3 Electrical Part List

Loc. No.	Part No.	Description;Specification	Q'ty	SNA	Remark	Loc. No.	Part No.	Description;Specification	Q'ty	SNA	Remark
	<b>AH97-01831A</b>	<b>ASSY DVD DECK-SDM-D1FL;BASIC-TYPE,C</b>	<b>1</b>	<b>SA</b>							
	<b>AH97-02033N</b>	<b>ASSY MACHINERY-POWER CORD;160MM.257</b>	<b>1</b>	<b>SNA</b>							
	3301-000132	CORE-FERRITE;AC,28.8x19.3x7.5mm,140	1	SA							
	AH39-00257F	CBF-POWER CORD;MAX980,-,CP2,250V,2.	1	SA							
	<b>AH44-00148A</b>	<b>SMPS;HT-X30,ORTP-616,AC/DC,800W(Aud</b>	<b>1</b>	<b>SA</b>							
	0402-000012	DIODE-RECTIFIER;UF4007,1KV,1A,DO-41	3	SA							
	0402-000137	DIODE-RECTIFIER;1N4007,1KV,1A,DO-41	2	SA							
	0501-000362	TR-SMALL SIGNAL;K5C2328A-Y,NPN,1000	1	SA							
	0501-000422	TR-SMALL SIGNAL;KTA1273,PNP,-30V,-3	1	SA							
	0501-000630	TR-SMALL SIGNAL;KTA1268,PNP,300MW,T	1	SA							
	1203-002597	IC-PWM CONTROLLER;KA5Q1265RF-YDTU,T	1	SA							
	1203-003365	IC-PWM CONTROLLER;FSDM0365RNC,DIP,8	1	SA							
	1203-004573	IC-VOL. REFERENCE;FAN431A,TO-92,3P,	3	SA							
	2001-000003	R-CARBON;330ohm,5%,1/8W,AA,TP,1.8x3	1	SA							
	2001-000084	R-CARBON;100Kohm,5%,1/4W,AA,TP,2.4x	1	SA							
	2001-000302	R-CARBON;10OHM,5%,1/8W,AA,TP,1.8X3.	3	SA							
	2001-000319	R-CARBON;120KOHM,5%,1/8W,AA,TP,1.8X	1	SA							
	2001-000440	R-CARBON;10OHM,5%,1/8W,AA,TP,1.8X3.2	1	SA							
	2001-000449	R-CARBON;2.2KOHM,5%,1/8W,AA,TP,1.8X	1	SA							
	2001-000472	R-CARBON;2.7KOHM,5%,1/8W,AA,TP,1.8X	2	SA							
	2001-000508	R-CARBON;220KOHM,5%,1/8W,AA,TP,1.8X	1	SA							
	2001-000554	R-CARBON;270OHM,5%,1/8W,AA,TP,1.8X3	1	SA							
	2001-000660	R-CARBON;33KOHM,5%,1/8W,AA,TP,1.8X3	5	SA							
	2001-000666	R-CARBON;330OHM,5%,1/8W,AA,TP,1.8X3.	1	SA							
	2001-000734	R-CARBON;4.7KOHM,5%,1/8W,AA,TP,1.8X	2	SA							
	2001-000780	R-CARBON;470OHM,5%,1/8W,AA,TP,1.8X3	1	SA							
	2001-000786	R-CARBON;47KOHM,5%,1/8W,AA,TP,1.8X3	2	SA							
	2001-000857	R-CARBON;560OHM,5%,1/8W,AA,TP,1.8X3	1	SA							
	2001-000869	R-CARBON;56OHM,5%,1/8W,AA,TP,1.8X3.	2	SA							
	2001-000924	R-CARBON;680OHM,5%,1/8W,AA,TP,1.8X3	1	SA							
	2001-000947	R-CARBON;7.5KOHM,5%,1/8W,AA,TP,1.8X	1	SA							
	2003-000738	R-METAL OXIDE(S);56Kohm,5%,2W,AA,TP	1	SA							
	2201-000020	C-CERAMIC,DISC;10NF,10%,1KV,Y5P,BK,	1	SA							
	2201-000021	C-CERAMIC,DISC;100NF,+80-20%,50V,Y5	1	SA							
	2201-000286	C-CERAMIC,DISC;1nf,10%,1000V,Y5P,-,	1	SA							
	2401-000471	C-AL;10uF,20%,50V,BP,TP,5x11,5mm	1	SA							
	2401-000649	C-AL;2.2uF,20%,50V,BP,TP,5x11,5	1	SA							
	2401-001479	C-AL;470uF,20%,10V,GP,TP,6.3*11mm,5	1	SA							
	2401-002300	C-AL;47##F,20%,50V,GP,TP,6.3x11,5mm	4	SA							
	2401-003036	C-AL;100uF,20%,16V,GP,TP,5X11mm,5mm	1	SA							
	AH81-02502A	C-FILM MPEF;10nF,630V,230S,5mm TP,-	1	SA							
	AH81-02503A	FUSE;382type,6.3A,250V,-,-,-,-	1	SA							
	AH81-02505A	DIODE-ZENER;1N5239B,0.5W,9.1V,DO-35	2	SA							
	AH81-02506A	DIODE-ZENER;1N5231B,0.5W,5.1V,DO-35	1	SA							
	AH81-02520A	DIODE-FAST RECOVERY;1N4937,600V,1A,	1	SA							
	AH81-02521A	DIODE-SWITCHING;1N4148,500mW,DO-35,	5	SA							
	AH81-02522A	DIODE-ZENER;1N4758A,56V,4.5mA,DO-41	3	SA							
	AH81-02524A	C-FILM MPEF;0.1uF,100V,5%,TP,-,-,-	1	SA							
	AH81-02525A	INDUCTOR-AXIAL-BEAD CORE;BFS3550AOL	2	SA							
	AH81-02526A	C-CERAMIC DISK;100pF,1KV,10%,,-,-,-	1	SA							
	AH81-02532A	INDUCTOR-RADIAL-CHOKE COIL;15uH,10%	1	SA							
	AH81-02544A	PHOTO COUPLER;LTV817B,If 50mA,Vceo	4	SA							
	AH81-02545A	INDUCTOR-RADIAL-CHOKE COIL;RADIAL,2	1	SA							
	AH81-02551A	IC-REGULATOR;KA78R12,TO-220F-4L,Vo	1	SA							
	AH81-02553A	THERMISTOR;3D15,-,-,-,-,-,-	1	SA							
	AH81-02558A	CONNECTOR;5096-02C,7.92mm,-,-,-,-,-	1	SA							
	AH81-02565A	C-FILM MPEF-MPP FILM;0.1uF,275VAC-P	2	SA							
	AH81-02575A	SCREW-PH;M3*8 ASSEMBLY,-,-,-,-,-,-	3	SA							
	AH81-02592A	DIODE-SUPER FAST RECTIFIERS;SFF1606	1	SA							
	AH81-02605A	C-FILM MPEF-MYLAR;0.047uF,100V,5%,T	1	SA							
	AH81-02614A	RESISTOR-CARBON FILM;1/8W,1.2K ohm,	1	SNA							
	AH81-02617A	RESISTOR-SURGE;1/2W,1.5M ohm,5%,SUR	1	SNA							
	AH81-02628A	DIODE-FAST RECOVERY RECTIFIERS;FR10	6	SNA							
	AH81-02633A	DIODE-SCHOTTKY BARRIER RECTIFI;SR50	1	SNA							
	AH81-02635A	DIODE-ZENER;1N5242B,500mW,12V,DO-35	1	SA							
	AH81-02637A	DIODE-ZENER;DZ4.7BSB,4.77V,500mW,DO	1	SA							
	AH81-02639A	DIODE-BRIDGE;GBU605G,600V,6A,GBU,-,	1	SA							
	AH81-02642A	C-FILM MPEF-MYLAR;0.0047uF,100V,5%,	1	SA							
	AH81-02643A	C-FILM MPEF-MYLAR;0.0082uF,100V,5%,	1	SA							
	AH81-02647A	C-CERAMIC DISK;470pF,400VAC-Y1,20%,	2	SA							
	AH81-02649A	C-CERAMIC DISK;1500pF,400VAC-Y1,20%	1	SA							
	AH81-02651A	C-AL;6800uF,6.3V,12.5*25mm,-40 to +	1	SA							
	AH81-02654A	C-AL;1000uF,10V,10*12.5mm,-40 to +8	1	SA							
	AH81-02659A	C-AL;100uF,50V,6.3*11mm,-40 to +85C	3	SA							
	AH81-02663A	C-AL;1000uF,25V,10*20mm,-40 to +105	2	SA							
	AH81-02666A	C-AL;47uF,50V,6.3*11mm,-40 to +105C	2	SA							
	AH81-02667A	C-AL;2200uF,50V,16*35mm,-40 to +105	3	SA							
	AH81-02670A	C-AL-LOW IMPEDANCE TYPE;3300uF,10V,	1	SA							
	AH81-02674A	CONNECTOR;SW0500-15,2mm,-,-,-,-,-	1	SA							
	AH81-02678A	CONNECTOR;YMW025-09R,2.5mm,-,-,-,-,-	1	SA							
	AH81-02698A	WIRE-JUMPER;TIN 0.6t(7.5mm),-,-,-,-,-	2	SNA							
	AH81-02703A	WIRE-JUMPER;TIN 0.6t(10.0mm),-,-,-,-,-	15	SNA							
	AH81-02710A	WIRE-JUMPER;TIN 0.6t(15.0mm),-,-,-,-,-	5	SNA							
	AH81-02712A	WIRE-JUMPER;TIN 0.6t(17.5mm),-,-,-,-,-	2	SNA							
	AH81-02717A	WIRE-JUMPER;TIN 0.6t(12.5mm),-,-,-,-,-	7	SNA							
	AH81-02721A	PCB;197*135*1.6t(CEM-1),-,-,-,-,-,-	1	SNA							
	AH81-02731A	HEAT SINK;-,-,-,15*11*22(HOLE)*30,S	1	SA							
	AH81-02754A	IC-REGULATOR;KA378R33,3A,3.3V,TO-22	1	SA							
	AH81-02756A	IC-REGULATOR;KA7808,8V,TO-220,-,-,-	1	SA							
	AH81-02764A	IC-REGULATOR;KA278R05,2A,5V,TO-220F	1	SA							
	AH81-02766A	TRANSISTOR;KSP2222A,Vceo 40V,Pc 625	1	SA							
	AH81-02776A	INDUCTOR-RADIAL-LINE FILTER;KE-13M2	2	SA							
	AH81-02795A	C-AL;330uF,16V,6.3*11mm,-40 to +85C	1	SA							
	AH81-02798A	DIODE-FAST RECOVERY RECTIFIERS;FR20	1	SA							
	AH81-02815A	C-AL;100uF,25V,6.3*11mm,-40 to +85C	1	SA							
	AH81-02816A	C-AL;1uF,50V,5*11mm,-40 to +85C,-,-	1	SA							
	AH81-02838A	RESISTOR-CARBON FILM;1/8W,18Kohm,1%	1	SNA							
	AH81-02993A	RESISTOR-CARBON FILM;1/4W 100 ohm,5%	1	SA							
	AH81-02996A	RESISTOR-CARBON FILM;1/4W 1K ohm,5%	1	SNA							
	AH81-03156A	RESISTOR-CARBON FILM;1/8W 3.6 ohm,5%	1	SA							
	AH81-03160A	RESISTOR-CARBON FILM;1/8W 5.6K ohm,	1	SNA							
	AH81-03163A	RESISTOR-CARBON FILM;1/8W 51 ohm,1%	1	SA							
	AH81-03165A	RESISTOR-CARBON FILM;1/8W 140 ohm,1%	1	SA							
	AH81-03170A	RESISTOR-CARBON FILM;1/4W 2.5K ohm,	1	SA							
	AH81-03177A	RESISTOR-METAL OXIDE FILM;2W 120K o	1	SA							
	AH81-03178A	RESISTOR-METAL OXIDE FILM;2W 200K o	1	SNA							
	AH81-03180A	RESISTOR-SURGE ARRESTER;Y08UZ-230B,	1	SA							
	AH81-03195A	CAPACITOR-MYLAR;0.027uF(100V),(2A2)	1	SNA							
	AH81-03197A	CAPACITOR-METAL;ME1600V/152(17.5mm)	1	SNA							

Exploded View & Part List

Loc. No.	Part No.	Description;Specification	Q'ty	SNA	Remark	Loc. No.	Part No.	Description;Specification	Q'ty	SNA	Remark
	AH81-03206A	C-AL;1000uF/16V,10*16mm,-40 to +105	1	SA							
	AH81-03209A	C-AL-LARGE;330uF/250V,25.4*30mm,-40	2	SA		CER30	2007-000090	R-CHIP;10Kohm,5%,1/10W,TP,1608	1	SA	
	AH81-03212A	DIODE;SR306 (M-FORMING),-,--,--,--	1	SA		CER33	2007-000109	R-CHIP;1Mohm,5%,1/10W,TP,1608	1	SA	
	AH81-03220A	TRANS;ORTP-616 T1(EER2828),-,--,--	1	SA		CER34	2007-000074	R-CHIP;100ohm,5%,1/10W,TP,1608	1	SA	
	AH81-03221A	TRANS;ORTP-616 T2(EER4242),-,--,--	1	SA		CER35	2007-000090	R-CHIP;10Kohm,5%,1/10W,TP,1608	1	SA	
	AH81-03231A	VARIATOR;14D471,--,--,--	1	SA		CER36	2007-000090	R-CHIP;10Kohm,5%,1/10W,TP,1608	1	SA	
	AH81-03242A	HEAT SINK;--,--,52X17X27(HOLE)X35/S	1	SA		CER39	2007-000090	R-CHIP;10Kohm,5%,1/10W,TP,1608	1	SA	
	AH81-03246A	HEAT SINK;--,--,35*20*18(HOLE)*35(H	1	SNA		CER48	3301-001495	BEAD-SMD;120ohm,2012,2500mA,TP,115o	1	SA	
						CER49	3301-001495	BEAD-SMD;120ohm,2012,2500mA,TP,115o	1	SA	
						CER52	2007-000074	R-CHIP;100ohm,5%,1/10W,TP,1608	1	SA	
						CER54	2007-000090	R-CHIP;10Kohm,5%,1/10W,TP,1608	1	SA	
	<b>AH92-02788A</b>	<b>ASSY PCB-MAIN ASSY;HT-Z310,ASSY PCB</b>	<b>1</b>	<b>SA</b>							
AIC1	1002-001548	IC-A/D CONVERTER;CS5345,24,LQFP,48P	1	SA							
BPIC1	0801-002518	IC-CMOS LOGIC;74LXCX157,2-INPUT MULT	1	SA		CER55	2007-000084	R-CHIP;4.7Kohm,5%,1/10W,TP,1608	1	SA	
BTL1	3301-001495	BEAD-SMD;120ohm,2012,2500mA,TP,115o	1	SA		CER6	2007-000071	R-CHIP;22ohm,5%,1/10W,TP,1608	1	SA	
BTR1	2007-000122	R-CHIP;1.2Kohm,5%,1/10W,TP,1608	1	SA		CER61	2007-000122	R-CHIP;1.2Kohm,5%,1/10W,TP,1608	1	SA	
						CER62	2007-000081	R-CHIP;2.7Kohm,5%,1/10W,TP,1608	1	SA	
BTR10	2007-000074	R-CHIP;100ohm,5%,1/10W,TP,1608	1	SA		CER63	2007-000093	R-CHIP;20Kohm,5%,1/10W,TP,1608	1	SA	
BTR11	2007-000074	R-CHIP;100ohm,5%,1/10W,TP,1608	1	SA							
BTR2	2007-000074	R-CHIP;100ohm,5%,1/10W,TP,1608	1	SA		CER64	2007-000070	R-CHIP;0ohm,5%,1/10W,TP,1608	1	SA	
BTR3	2007-000113	R-CHIP;33ohm,5%,1/10W,TP,1608	1	SA		CER7	3301-001495	BEAD-SMD;120ohm,2012,2500mA,TP,115o	1	SA	
BTR4	2007-000074	R-CHIP;100ohm,5%,1/10W,TP,1608	1	SA		CER8	2007-000084	R-CHIP;4.7Kohm,5%,1/10W,TP,1608	1	SA	
						CER9	2007-000084	R-CHIP;4.7Kohm,5%,1/10W,TP,1608	1	SA	
BTR5	2007-000074	R-CHIP;100ohm,5%,1/10W,TP,1608	1	SA		CN01	3708-002023	CONNECTOR-FPC/FFC/PIC;6P,1MM,SMD-S,	1	SA	
BTR6	2007-000074	R-CHIP;100ohm,5%,1/10W,TP,1608	1	SA							
BTR7	2007-000074	R-CHIP;100ohm,5%,1/10W,TP,1608	1	SA		CN02	3711-005155	HEADER-BOARD TO CABLE;BOX,5P,1R,2MM	1	SA	
BTR8	2007-000081	R-CHIP;2.7Kohm,5%,1/10W,TP,1608	1	SA		CN03	3708-001765	CONNECTOR-FPC/FFC/PIC;24P,0.5mm,SMD	1	SA	
BTR9	2007-000074	R-CHIP;100ohm,5%,1/10W,TP,1608	1	SA		CN05	3711-000471	HEADER-BOARD TO CABLE;3WALL,4P,1R,2	1	SA	
						CR17	2007-000552	R-CHIP;20ohm,5%,1/10W,TP,1608	1	SA	
CB02	3301-001495	BEAD-SMD;120ohm,2012,2500mA,TP,115o	1	SA		CR18	2007-000552	R-CHIP;20ohm,5%,1/10W,TP,1608	1	SA	
CBT1	2203-005148	C-CER,CHIP;100nF,10%,16V,X7R,TP,160	1	SA							
CC09	2401-001508	C-AL;47uF,20%,16V,GP,TP,6.3x5,5	1	SA		CR30	2007-000090	R-CHIP;10Kohm,5%,1/10W,TP,1608	1	SA	
CC10	2203-005249	C-CER,CHIP;100nF,10%,50V,X7R,1608	1	SA		EBD11	3301-001495	BEAD-SMD;120ohm,2012,2500mA,TP,115o	1	SA	
CC11	2007-000092	R-CHIP;15Kohm,5%,1/10W,TP,1608	1	SA		EBD12	3301-001495	BEAD-SMD;120ohm,2012,2500mA,TP,115o	1	SA	
						EBD15	3301-001495	BEAD-SMD;120ohm,2012,2500mA,TP,115o	1	SA	
CC12	2007-000092	R-CHIP;15Kohm,5%,1/10W,TP,1608	1	SA		EBD16	3301-001495	BEAD-SMD;120ohm,2012,2500mA,TP,115o	1	SA	
CC13	2203-000280	C-CER,CHIP;0.01nF,0.5pF,50V,COG,160	1	SA							
CC14	2203-000280	C-CER,CHIP;0.01nF,0.5pF,50V,COG,160	1	SA		EBD2	3301-001495	BEAD-SMD;120ohm,2012,2500mA,TP,115o	1	SA	
CEC1	2203-005148	C-CER,CHIP;100nF,10%,16V,X7R,TP,160	1	SA		EBD3	3301-001495	BEAD-SMD;120ohm,2012,2500mA,TP,115o	1	SA	
CEC42	2203-005148	C-CER,CHIP;100nF,10%,16V,X7R,TP,160	1	SA		EBD4	3301-001495	BEAD-SMD;120ohm,2012,2500mA,TP,115o	1	SA	
						EBD9	3301-001495	BEAD-SMD;120ohm,2012,2500mA,TP,115o	1	SA	
CEC43	2401-000240	C-AL;100uF,20%,10V,GP,TP,5x11,5	1	SA		EMR1	2007-000070	R-CHIP;0ohm,5%,1/10W,TP,1608	1	SA	
CEC44	2203-005148	C-CER,CHIP;100nF,10%,16V,X7R,TP,160	1	SA							
CEC46	2401-000240	C-AL;100uF,20%,10V,GP,TP,5x11,5	1	SA		EMR2	2007-000070	R-CHIP;0ohm,5%,1/10W,TP,1608	1	SA	
CEC47	2203-005148	C-CER,CHIP;100nF,10%,16V,X7R,TP,160	1	SA		ESD3	0406-001128	DIODE-TVS;MLVS-0603-E08,50V,-,-	1	SA	
CEC51	2203-005065	C-CER,CHIP;1000nF,+80-20%,10V,Y5V,1	1	SA		ESD4	0406-001128	DIODE-TVS;MLVS-0603-E08,50V,-,-	1	SA	
						ESD5	0406-001128	DIODE-TVS;MLVS-0603-E08,50V,-,-	1	SA	
CECX1	2802-001179	RESONATOR-CERAMIC;4MHZ,0.5%,BK,8X3X	1	SA		ESD6	0406-001128	DIODE-TVS;MLVS-0603-E08,50V,-,-	1	SA	
CEIC1	AK09-00159A	IC MICOM,-,MC80C0316-MC015 D32,44,2	1	SA		ESD7	0406-001128	DIODE-TVS;MLVS-0603-E08,50V,-,-	1	SA	
CEIC2	1103-001333	IC-EEPROM;24C08A,1Kx8Bit,SOP,8P,5x4	1	SA		ESD8	0406-001128	DIODE-TVS;MLVS-0603-E08,50V,-,-	1	SA	
CEIC3	1203-002425	IC-POS.FIXED REG.;1117,SOT-223,3P,	1	SA		HC01	2401-002042	C-AL;220uF,20%,10V,GP,TP,6.3x11,5	1	SA	
CEIC4	0505-001679	FET-SILICON;FDC6301N,N,25V,0.22A,50	1	SA		HC02	2401-002042	C-AL;220uF,20%,10V,GP,TP,6.3x11,5	1	SA	
						HC03	2203-005148	C-CER,CHIP;100nF,10%,16V,X7R,TP,160	1	SA	
CEQ100	0501-000341	TR-SMALL SIGNAL;KSC1623-L,NPN,200mW	1	SA							
CER1	3301-001495	BEAD-SMD;120ohm,2012,2500mA,TP,115o	1	SA		HC04	2203-005148	C-CER,CHIP;100nF,10%,16V,X7R,TP,160	1	SA	
CER10	2007-000084	R-CHIP;4.7Kohm,5%,1/10W,TP,1608	1	SA		HC05	2203-005148	C-CER,CHIP;100nF,10%,16V,X7R,TP,160	1	SA	
CER11	2007-000090	R-CHIP;10Kohm,5%,1/10W,TP,1608	1	SA		HC06	2203-005148	C-CER,CHIP;100nF,10%,16V,X7R,TP,160	1	SA	
CER13	2007-000090	R-CHIP;10Kohm,5%,1/10W,TP,1608	1	SA		HC07	2203-005148	C-CER,CHIP;100nF,10%,16V,X7R,TP,160	1	SA	
						HC08	2203-005148	C-CER,CHIP;100nF,10%,16V,X7R,TP,160	1	SA	
CER15	2007-000090	R-CHIP;10Kohm,5%,1/10W,TP,1608	1	SA							
CER16	2007-000090	R-CHIP;10Kohm,5%,1/10W,TP,1608	1	SA		HC09	2203-005065	C-CER,CHIP;1000nF,+80-20%,10V,Y5V,1	1	SA	
CER17	2007-000090	R-CHIP;10Kohm,5%,1/10W,TP,1608	1	SA		HC10	2203-005065	C-CER,CHIP;1000nF,+80-20%,10V,Y5V,1	1	SA	
CER18	2007-000074	R-CHIP;100ohm,5%,1/10W,TP,1608	1	SA		HC11	2203-005148	C-CER,CHIP;100nF,10%,16V,X7R,TP,160	1	SA	
CER19	2007-000074	R-CHIP;100ohm,5%,1/10W,TP,1608	1	SA		HC12	2203-005148	C-CER,CHIP;100nF,10%,16V,X7R,TP,160	1	SA	
						HC13	2203-005065	C-CER,CHIP;1000nF,+80-20%,10V,Y5V,1	1	SA	
CER2	2007-000070	R-CHIP;0ohm,5%,1/10W,TP,1608	1	SA							
CER21	2007-000074	R-CHIP;100ohm,5%,1/10W,TP,1608	1	SA		HC14	2203-005065	C-CER,CHIP;1000nF,+80-20%,10V,Y5V,1	1	SA	
CER22	2007-000070	R-CHIP;0ohm,5%,1/10W,TP,1608	1	SA		HC15	2203-005148	C-CER,CHIP;100nF,10%,16V,X7R,TP,160	1	SA	
CER28	2007-000090	R-CHIP;10Kohm,5%,1/10W,TP,1608	1	SA		HC16	2401-002042	C-AL;220uF,20%,10V,GP,TP,6.3x11,5	1	SA	
CER3	2007-000071	R-CHIP;22ohm,5%,1/10W,TP,1608	1	SA							

Loc. No.	Part No.	Description;Specification	Q'ty	SNA	Remark	Loc. No.	Part No.	Description;Specification	Q'ty	SNA	Remark
HC17	2203-005148	C-CER,CHIP;100nF,10%,16V,X7R,TP,160	1	SA		HQ02	0505-000110	FET-SILICON;2N7002,N,60V,115mA,7.5o	1	SA	
HC18	2203-005148	C-CER,CHIP;100nF,10%,16V,X7R,TP,160	1	SA		HQ03	0504-000128	TR-DIGITAL;-NPN,200MW,22K/22K,SOT-	1	SA	
HC19	2203-005148	C-CER,CHIP;100nF,10%,16V,X7R,TP,160	1	SA		HR27	2007-000075	R-CHIP;220ohm,5%,1/10W,TP,1608	1	SA	
HC20	2203-005065	C-CER,CHIP;1000nF,+80-20%,10V,Y5V,1	1	SA		HR28	2007-000075	R-CHIP;220ohm,5%,1/10W,TP,1608	1	SA	
HC21	2203-005148	C-CER,CHIP;100nF,10%,16V,X7R,TP,160	1	SA		HR29	2007-000075	R-CHIP;220ohm,5%,1/10W,TP,1608	1	SA	
HC22	2203-005148	C-CER,CHIP;100nF,10%,16V,X7R,TP,160	1	SA		HR30	2007-000075	R-CHIP;220ohm,5%,1/10W,TP,1608	1	SA	
HC23	2203-005148	C-CER,CHIP;100nF,10%,16V,X7R,TP,160	1	SA		HR31	2007-000075	R-CHIP;220ohm,5%,1/10W,TP,1608	1	SA	
HC24	2401-001092	C-AL;330uF,20%,10V,GP,-,8x11.5,2.5m	1	SA		HR32	2007-000079	R-CHIP;1.8Kohm,5%,1/10W,TP,1608	1	SA	
HC25	2401-001092	C-AL;330uF,20%,10V,GP,-,8x11.5,2.5m	1	SA		HR33	2007-000070	R-CHIP;0ohm,5%,1/10W,TP,1608	1	SA	
HC26	2203-005148	C-CER,CHIP;100nF,10%,16V,X7R,TP,160	1	SA		HR34	2007-000070	R-CHIP;0ohm,5%,1/10W,TP,1608	1	SA	
HC27	2203-005148	C-CER,CHIP;100nF,10%,16V,X7R,TP,160	1	SA		HR35	2007-000070	R-CHIP;0ohm,5%,1/10W,TP,1608	1	SA	
HC28	2401-000042	C-AL;100uF,20%,16V,GP,TP,6.3x7.5	1	SA		HR36	2007-000070	R-CHIP;0ohm,5%,1/10W,TP,1608	1	SA	
HC29	2203-005148	C-CER,CHIP;100nF,10%,16V,X7R,TP,160	1	SA		HR37	2007-000084	R-CHIP;4.7Kohm,5%,1/10W,TP,1608	1	SA	
HC30	2203-005148	C-CER,CHIP;100nF,10%,16V,X7R,TP,160	1	SA		HR38	2007-000084	R-CHIP;4.7Kohm,5%,1/10W,TP,1608	1	SA	
HC31	2203-005148	C-CER,CHIP;100nF,10%,16V,X7R,TP,160	1	SA		HR39	2007-000070	R-CHIP;0ohm,5%,1/10W,TP,1608	1	SA	
HC32	2401-001092	C-AL;330uF,20%,10V,GP,-,8x11.5,2.5m	1	SA		HR40	2007-000729	R-CHIP;300ohm,5%,1/10W,TP,1608	1	SA	
HC33	2401-001092	C-AL;330uF,20%,10V,GP,-,8x11.5,2.5m	1	SA		HR41	2007-000084	R-CHIP;4.7Kohm,5%,1/10W,TP,1608	1	SA	
HC34	2203-005148	C-CER,CHIP;100nF,10%,16V,X7R,TP,160	1	SA		HR42	2007-000074	R-CHIP;100ohm,5%,1/10W,TP,1608	1	SA	
HC35	2203-005148	C-CER,CHIP;100nF,10%,16V,X7R,TP,160	1	SA		HR43	2007-000074	R-CHIP;100ohm,5%,1/10W,TP,1608	1	SA	
HC36	2203-001086	C-CER,CHIP;0.0050nF,0.25pF,50V,NP0,	1	SA		HR44	2007-000503	R-CHIP;2.2ohm,5%,1/10W,TP,1608	1	SA	
HC37	2203-000280	C-CER,CHIP;0.01nF,0.5pF,50V,COG,160	1	SA		HR45	2007-000503	R-CHIP;2.2ohm,5%,1/10W,TP,1608	1	SA	
HC38	2203-000280	C-CER,CHIP;0.01nF,0.5pF,50V,COG,160	1	SA		HR46	2007-000503	R-CHIP;2.2ohm,5%,1/10W,TP,1608	1	SA	
HD01	0401-001090	DIODE-SWITCHING;1SS355,80V,100MA,SO	1	SA		HR47	2007-000503	R-CHIP;2.2ohm,5%,1/10W,TP,1608	1	SA	
HD02	0402-000309	DIODE-RECTIFIER;1SR154-400,400V,1A,	1	SA		HR48	2007-000503	R-CHIP;2.2ohm,5%,1/10W,TP,1608	1	SA	
HL01	3301-001495	BEAD-SMD;120ohm,2012,2500mA,TP,115o	1	SA		HR49	2007-000503	R-CHIP;2.2ohm,5%,1/10W,TP,1608	1	SA	
HL02	3301-001495	BEAD-SMD;120ohm,2012,2500mA,TP,115o	1	SA		HR50	2007-000503	R-CHIP;2.2ohm,5%,1/10W,TP,1608	1	SA	
HL03	3301-001495	BEAD-SMD;120ohm,2012,2500mA,TP,115o	1	SA		HR51	2007-000503	R-CHIP;2.2ohm,5%,1/10W,TP,1608	1	SA	
HL04	3301-001495	BEAD-SMD;120ohm,2012,2500mA,TP,115o	1	SA		HR52	2007-000643	R-CHIP;270ohm,5%,1/10W,TP,1608	1	SA	
HL05	2007-000070	R-CHIP;0ohm,5%,1/10W,TP,1608	1	SA		HR53	2007-000116	R-CHIP;120ohm,5%,1/10W,TP,1608	1	SA	
HL06	3301-001495	BEAD-SMD;120ohm,2012,2500mA,TP,115o	1	SA		HR56	2007-000097	R-CHIP;47Kohm,5%,1/10W,TP,1608	1	SA	
HL07	2007-000070	R-CHIP;0ohm,5%,1/10W,TP,1608	1	SA		HR57	2007-000078	R-CHIP;1Kohm,5%,1/10W,TP,1608	1	SA	
HL08	2007-000070	R-CHIP;0ohm,5%,1/10W,TP,1608	1	SA		HR58	2007-000084	R-CHIP;4.7Kohm,5%,1/10W,TP,1608	1	SA	
HL09	3301-001495	BEAD-SMD;120ohm,2012,2500mA,TP,115o	1	SA		HR59	2007-000084	R-CHIP;4.7Kohm,5%,1/10W,TP,1608	1	SA	
HL10	2901-001302	FILTER-EMI SMD;20V,0.3A,0pF,2.0x1.2	1	SA		HR60	2007-000084	R-CHIP;4.7Kohm,5%,1/10W,TP,1608	1	SA	
HL11	2901-001302	FILTER-EMI SMD;20V,0.3A,0pF,2.0x1.2	1	SA		HR61	2007-000074	R-CHIP;100ohm,5%,1/10W,TP,1608	1	SA	
HL12	2901-001302	FILTER-EMI SMD;20V,0.3A,0pF,2.0x1.2	1	SA		HR62	2007-000074	R-CHIP;100ohm,5%,1/10W,TP,1608	1	SA	
HL13	2901-001302	FILTER-EMI SMD;20V,0.3A,0pF,2.0x1.2	1	SA		H-SINK	AH62-00062G	HEAT SINK-TR;HT-DS400,AL EXTR,-,-,-	1	SA	
HL14	3301-001495	BEAD-SMD;120ohm,2012,2500mA,TP,115o	1	SA		IC31	1205-003381	IC-TRANSMITTER;ES7108S,LQFP,80P,12x	1	SA	
HL15	3301-001069	BEAD-SMD;120ohm,1.6x0.8x0.8mm,200mA	1	SA		IPB1	3301-001495	BEAD-SMD;120ohm,2012,2500mA,TP,115o	1	SA	
HL16	3301-001069	BEAD-SMD;120ohm,1.6x0.8x0.8mm,200mA	1	SA		IPB8	3301-001495	BEAD-SMD;120ohm,2012,2500mA,TP,115o	1	SA	
HL17	3301-001069	BEAD-SMD;120ohm,1.6x0.8x0.8mm,200mA	1	SA		IPR21	2007-000070	R-CHIP;0ohm,5%,1/10W,TP,1608	1	SA	
HL18	3301-001069	BEAD-SMD;120ohm,1.6x0.8x0.8mm,200mA	1	SA		JK7	3701-001313	CONNECTOR-HDMI;19P,2R,PLUG,ANGLE,AU	1	SA	
HL19	3301-001069	BEAD-SMD;120ohm,1.6x0.8x0.8mm,200mA	1	SA		JP6	3722-002092	JACK-PIN;3P,NI-P,WHT/YEL/RED,ANGLE	1	SA	
HL20	3301-001069	BEAD-SMD;120ohm,1.6x0.8x0.8mm,200mA	1	SA		KBD4	2203-005148	C-CER,CHIP;100nF,10%,16V,X7R,TP,160	1	SA	
HL21	3301-001069	BEAD-SMD;120ohm,1.6x0.8x0.8mm,200mA	1	SA		KBD6	3301-001495	BEAD-SMD;120ohm,2012,2500mA,TP,115o	1	SA	
HL22	3301-001069	BEAD-SMD;120ohm,1.6x0.8x0.8mm,200mA	1	SA		MAIN_PCB	AH41-01099A	PCB-MAIN;HT-Z310,PENNOL,2,0,1.6T,24	1	SNA	
HL23	3301-001069	BEAD-SMD;120ohm,1.6x0.8x0.8mm,200mA	1	SA		MB01	3301-001495	BEAD-SMD;120ohm,2012,2500mA,TP,115o	1	SA	
HL24	3301-001069	BEAD-SMD;120ohm,1.6x0.8x0.8mm,200mA	1	SA		MB02	3301-001495	BEAD-SMD;120ohm,2012,2500mA,TP,115o	1	SA	
HL25	3301-001069	BEAD-SMD;120ohm,1.6x0.8x0.8mm,200mA	1	SA		MB03	3301-001495	BEAD-SMD;120ohm,2012,2500mA,TP,115o	1	SA	
HL26	3301-001069	BEAD-SMD;120ohm,1.6x0.8x0.8mm,200mA	1	SA		MB04	3301-001069	BEAD-SMD;120ohm,1.6x0.8x0.8mm,200mA	1	SA	
HL27	3301-001069	BEAD-SMD;120ohm,1.6x0.8x0.8mm,200mA	1	SA		MB05	3301-001495	BEAD-SMD;120ohm,2012,2500mA,TP,115o	1	SA	
HL28	3301-001069	BEAD-SMD;120ohm,1.6x0.8x0.8mm,200mA	1	SA		MB06	3301-001495	BEAD-SMD;120ohm,2012,2500mA,TP,115o	1	SA	
HL29	3301-001069	BEAD-SMD;120ohm,1.6x0.8x0.8mm,200mA	1	SA		MB07	3301-001495	BEAD-SMD;120ohm,2012,2500mA,TP,115o	1	SA	
HL30	3301-001069	BEAD-SMD;120ohm,1.6x0.8x0.8mm,200mA	1	SA		MB08	3301-001495	BEAD-SMD;120ohm,2012,2500mA,TP,115o	1	SA	
HL31	3301-001495	BEAD-SMD;120ohm,2012,2500mA,TP,115o	1	SA		MB09	3301-001069	BEAD-SMD;120ohm,1.6x0.8x0.8mm,200mA	1	SA	
HL32	2007-000070	R-CHIP;0ohm,5%,1/10W,TP,1608	1	SA		MB10	3301-001495	BEAD-SMD;120ohm,2012,2500mA,TP,115o	1	SA	
HL33	2007-000070	R-CHIP;0ohm,5%,1/10W,TP,1608	1	SA		MB14	3301-001495	BEAD-SMD;120ohm,2012,2500mA,TP,115o	1	SA	
HQ01	0505-000110	FET-SILICON;2N7002,N,60V,115mA,7.5o	1	SA		MB15	3301-001495	BEAD-SMD;120ohm,2012,2500mA,TP,115o	1	SA	
						MB16	3301-001495	BEAD-SMD;120ohm,2012,2500mA,TP,115o	1	SA	

Exploded View & Part List

Loc. No.	Part No.	Description;Specification	Q'ty	SNA	Remark	Loc. No.	Part No.	Description;Specification	Q'ty	SNA	Remark
MC01	2401-000042	C-AL;100uF,20%,16V,GP,TP,6.3x7,5	1	SA		MCON1	3711-000452	CONNECTOR-HEADER;BOX,3P,1R,2mm,STRA	1	SA	
MC02	2203-005148	C-CER,CHIP;100nF,10%,16V,X7R,TP,160	1	SA		MCON12	3708-001086	CONNECTOR-FPC/FFC/PIC;28P,1.25MM,ST	1	SA	
MC03	2401-0000414	C-AL;100uF,20%,16V,GP,TP,4x7,5	1	SA		MCON15	3709-001287	CONNECTOR-CARD SLOT;10P,1.5mm,SMD-A	1	SA	
MC04	2203-005148	C-CER,CHIP;100nF,10%,16V,X7R,TP,160	1	SA		MCON2	AH39-00855A	WIRE HARNESS;HT-Q20,-,1007,15P,110m	1	SA	
MC05	2401-001092	C-AL;330uF,20%,10V,GP,-,8x11.5,2.5m	1	SA		MCON3	3708-001033	CONNECTOR-FPC/FFC/PIC;22P,1.25MM,ST	1	SA	
MC06	2203-005148	C-CER,CHIP;100nF,10%,16V,X7R,TP,160	1	SA		MCON6	3708-000448	CONNECTOR-FPC/FFC/PIC;6P,1.25MM,STR	1	SA	
MC07	2203-005148	C-CER,CHIP;100nF,10%,16V,X7R,TP,160	1	SA		MCON8	AH40-00130A	TUNER;KST-MW104FV1-E50LCE,HT-Q40,FM	1	SA	
MC08	2203-005148	C-CER,CHIP;100nF,10%,16V,X7R,TP,160	1	SA		MD01	0401-001090	DIODE-SWITCHING;1SS355,80V,100MA,SO	1	SA	
MC09	2203-005148	C-CER,CHIP;100nF,10%,16V,X7R,TP,160	1	SA		MIC1	1204-002847	IC-PAL/NTSC DECODER;ES8391SCC,LQFP,	1	SA	
MC10	2203-005148	C-CER,CHIP;100nF,10%,16V,X7R,TP,160	1	SA		MIC10	0801-002391	IC-CMOS LOGIC;74LCX00,NAND GATE,TSS	1	SA	
MC11	2203-005148	C-CER,CHIP;100nF,10%,16V,X7R,TP,160	1	SA		MIC2	1105-001573	IC-DRAM;K4S281632,-,128Mbit,8Mx16Bi	1	SA	
MC12	2203-005148	C-CER,CHIP;100nF,10%,16V,X7R,TP,160	1	SA		MIC3	1107-001600	IC-NOR FLASH;MX25L1605A,16Mbit,2Mx8	1	SA	
MC14	2203-005148	C-CER,CHIP;100nF,10%,16V,X7R,TP,160	1	SA		MIC5	0801-002683	IC-CMOS LOGIC;74HCT245,TRANSCEIVER,	1	SA	
MC15	2203-005148	C-CER,CHIP;100nF,10%,16V,X7R,TP,160	1	SA		MIC6	1103-001333	IC-EEPROM;24C08A,1Kx8Bit,SOP,8P,5x4	1	SA	
MC16	2203-005148	C-CER,CHIP;100nF,10%,16V,X7R,TP,160	1	SA		MR01	2007-000074	R-CHIP;100ohm,5%,1/10W,TP,1608	1	SA	
MC17	2203-005148	C-CER,CHIP;100nF,10%,16V,X7R,TP,160	1	SA		MR02	2007-000074	R-CHIP;100ohm,5%,1/10W,TP,1608	1	SA	
MC18	2203-005148	C-CER,CHIP;100nF,10%,16V,X7R,TP,160	1	SA		MR03	2011-000816	R-NETWORK;100ohm,5%,1/16W,L,CHIP,8P	1	SA	
MC19	2203-005148	C-CER,CHIP;100nF,10%,16V,X7R,TP,160	1	SA		MR04	2011-000816	R-NETWORK;100ohm,5%,1/16W,L,CHIP,8P	1	SA	
MC21	2401-000042	C-AL;100uF,20%,16V,GP,TP,6.3x7,5	1	SA		MR05	2011-000816	R-NETWORK;100ohm,5%,1/16W,L,CHIP,8P	1	SA	
MC22	2203-005148	C-CER,CHIP;100nF,10%,16V,X7R,TP,160	1	SA		MR06	2011-000816	R-NETWORK;100ohm,5%,1/16W,L,CHIP,8P	1	SA	
MC23	2203-005148	C-CER,CHIP;100nF,10%,16V,X7R,TP,160	1	SA		MR07	2011-000816	R-NETWORK;100ohm,5%,1/16W,L,CHIP,8P	1	SA	
MC24	2203-005148	C-CER,CHIP;100nF,10%,16V,X7R,TP,160	1	SA		MR08	2011-000816	R-NETWORK;100ohm,5%,1/16W,L,CHIP,8P	1	SA	
MC25	2203-005148	C-CER,CHIP;100nF,10%,16V,X7R,TP,160	1	SA		MR09	2011-000816	R-NETWORK;100ohm,5%,1/16W,L,CHIP,8P	1	SA	
MC27	2203-005148	C-CER,CHIP;100nF,10%,16V,X7R,TP,160	1	SA		MR10	2011-000816	R-NETWORK;100ohm,5%,1/16W,L,CHIP,8P	1	SA	
MC31	2401-000042	C-AL;100uF,20%,16V,GP,TP,6.3x7,5	1	SA		MR100	2007-000121	R-CHIP;820ohm,5%,1/10W,TP,1608	1	SA	
MC32	2203-005148	C-CER,CHIP;100nF,10%,16V,X7R,TP,160	1	SA		MR101	2007-000113	R-CHIP;33ohm,5%,1/10W,TP,1608	1	SA	
MC33	2401-000042	C-AL;100uF,20%,16V,GP,TP,6.3x7,5	1	SA		MR102	2007-000113	R-CHIP;33ohm,5%,1/10W,TP,1608	1	SA	
MC34	2203-005148	C-CER,CHIP;100nF,10%,16V,X7R,TP,160	1	SA		MR103	2007-000113	R-CHIP;33ohm,5%,1/10W,TP,1608	1	SA	
MC35	2401-000042	C-AL;100uF,20%,16V,GP,TP,6.3x7,5	1	SA		MR104	2007-000113	R-CHIP;33ohm,5%,1/10W,TP,1608	1	SA	
MC36	2203-005148	C-CER,CHIP;100nF,10%,16V,X7R,TP,160	1	SA		MR11	2011-000816	R-NETWORK;100ohm,5%,1/16W,L,CHIP,8P	1	SA	
MC37	2203-000062	C-CER,CHIP;47nF,+80-20%,50V,Y5V,160	1	SA		MR111	2007-000309	R-CHIP;10ohm,5%,1/10W,TP,1608	1	SA	
MC38	2203-005148	C-CER,CHIP;100nF,10%,16V,X7R,TP,160	1	SA		MR112	2007-000309	R-CHIP;10ohm,5%,1/10W,TP,1608	1	SA	
MC39	2203-005148	C-CER,CHIP;100nF,10%,16V,X7R,TP,160	1	SA		MR113	2007-000309	R-CHIP;10ohm,5%,1/10W,TP,1608	1	SA	
MC40	2203-000646	C-CER,CHIP;0.024NF,5%,50V,COG,TP,16	1	SA		MR114	2007-000309	R-CHIP;10ohm,5%,1/10W,TP,1608	1	SA	
MC41	2203-000681	C-CER,CHIP;0.027nF,5%,50V,COG,1608	1	SA		MR12	2011-000816	R-NETWORK;100ohm,5%,1/16W,L,CHIP,8P	1	SA	
MC42	2203-005148	C-CER,CHIP;100nF,10%,16V,X7R,TP,160	1	SA		MR120	2007-000081	R-CHIP;2.7Kohm,5%,1/10W,TP,1608	1	SA	
MC43	2203-005148	C-CER,CHIP;100nF,10%,16V,X7R,TP,160	1	SA		MR121	2007-000074	R-CHIP;100ohm,5%,1/10W,TP,1608	1	SA	
MC45	2401-000042	C-AL;100uF,20%,16V,GP,TP,6.3x7,5	1	SA		MR122	2007-000074	R-CHIP;100ohm,5%,1/10W,TP,1608	1	SA	
MC46	2203-005148	C-CER,CHIP;100nF,10%,16V,X7R,TP,160	1	SA		MR123	2007-000074	R-CHIP;100ohm,5%,1/10W,TP,1608	1	SA	
MC47	2203-005148	C-CER,CHIP;100nF,10%,16V,X7R,TP,160	1	SA		MR124	2007-000074	R-CHIP;100ohm,5%,1/10W,TP,1608	1	SA	
MC48	2203-005148	C-CER,CHIP;100nF,10%,16V,X7R,TP,160	1	SA		MR125	2007-000074	R-CHIP;100ohm,5%,1/10W,TP,1608	1	SA	
MC49	2203-005148	C-CER,CHIP;100nF,10%,16V,X7R,TP,160	1	SA		MR126	2007-000074	R-CHIP;100ohm,5%,1/10W,TP,1608	1	SA	
MC50	2203-005148	C-CER,CHIP;100nF,10%,16V,X7R,TP,160	1	SA		MR127	2007-000074	R-CHIP;100ohm,5%,1/10W,TP,1608	1	SA	
MC51	2203-005148	C-CER,CHIP;100nF,10%,16V,X7R,TP,160	1	SA		MR13	2007-000074	R-CHIP;100ohm,5%,1/10W,TP,1608	1	SA	
MC52	2203-005148	C-CER,CHIP;100nF,10%,16V,X7R,TP,160	1	SA		MR14	2007-000074	R-CHIP;100ohm,5%,1/10W,TP,1608	1	SA	
MC52A	2203-001086	C-CER,CHIP;0.0050nF,0.25pF,50V,NP0,	1	SA		MR15	2007-000084	R-CHIP;4.7Kohm,5%,1/10W,TP,1608	1	SA	
MC56	2401-000042	C-AL;100uF,20%,16V,GP,TP,6.3x7,5	1	SA		MR16	2007-000084	R-CHIP;4.7Kohm,5%,1/10W,TP,1608	1	SA	
MC57	2203-005148	C-CER,CHIP;100nF,10%,16V,X7R,TP,160	1	SA		MR17	2007-000084	R-CHIP;4.7Kohm,5%,1/10W,TP,1608	1	SA	
MC58	2203-005148	C-CER,CHIP;100nF,10%,16V,X7R,TP,160	1	SA		MR1A	2007-000113	R-CHIP;33ohm,5%,1/10W,TP,1608	1	SA	
MC61	2401-000042	C-AL;100uF,20%,16V,GP,TP,6.3x7,5	1	SA		MR201	2007-000113	R-CHIP;33ohm,5%,1/10W,TP,1608	1	SA	
MC62	2203-000189	C-CER,CHIP;100nF,+80-20%,25V,Y5V,16	1	SA		MR202	2007-000113	R-CHIP;33ohm,5%,1/10W,TP,1608	1	SA	
MC63	2203-000972	C-CER,CHIP;47nF,10%,16V,X7R,1608	1	SA		MR22	2007-000084	R-CHIP;4.7Kohm,5%,1/10W,TP,1608	1	SA	
MC66	2203-005148	C-CER,CHIP;100nF,10%,16V,X7R,TP,160	1	SA		MR23	2007-000074	R-CHIP;100ohm,5%,1/10W,TP,1608	1	SA	
MC67	2203-005148	C-CER,CHIP;100nF,10%,16V,X7R,TP,160	1	SA		MR24	2007-000084	R-CHIP;4.7Kohm,5%,1/10W,TP,1608	1	SA	
MC68	2203-005148	C-CER,CHIP;100nF,10%,16V,X7R,TP,160	1	SA		MR26	2007-000113	R-CHIP;33ohm,5%,1/10W,TP,1608	1	SA	
MC75	2401-001938	C-AL;22uF,20%,25V,GP,TP,5x11mm,5mm	1	SA		MR27	2007-000090	R-CHIP;10Kohm,5%,1/10W,TP,1608	1	SA	
MC76	2401-001938	C-AL;22uF,20%,25V,GP,TP,5x11mm,5mm	1	SA		MR28	2007-000113	R-CHIP;33ohm,5%,1/10W,TP,1608	1	SA	
MC77	2203-005148	C-CER,CHIP;100nF,10%,16V,X7R,TP,160	1	SA		MR29	2007-000113	R-CHIP;33ohm,5%,1/10W,TP,1608	1	SA	



Loc. No.	Part No.	Description;Specification	Q'ty	SNA	Remark	Loc. No.	Part No.	Description;Specification	Q'ty	SNA	Remark
MR2A	2007-000113	R-CHIP;33ohm,5%,1/10W,TP,1608	1	SA		PC3	2401-000118	C-AL;1000uF,20%,10V,GP,TP,10x12.5,5	1	SA	
MR30	2007-000113	R-CHIP;33ohm,5%,1/10W,TP,1608	1	SA		PC4	2203-005249	C-CER,CHIP;100nF,10%,50V,X7R,1608	1	SA	
MR31	2007-000074	R-CHIP;100ohm,5%,1/10W,TP,1608	1	SA		PC5	2401-000118	C-AL;1000uF,20%,10V,GP,TP,10x12.5,5	1	SA	
MR32	2007-000074	R-CHIP;100ohm,5%,1/10W,TP,1608	1	SA		PC6	2203-005249	C-CER,CHIP;100nF,10%,50V,X7R,1608	1	SA	
MR33	2007-000074	R-CHIP;100ohm,5%,1/10W,TP,1608	1	SA		PC7	2401-001364	C-AL;470uF,20%,16V,GP,TP,10x12.5,5	1	SA	
MR34	2007-000084	R-CHIP;4.7Kohm,5%,1/10W,TP,1608	1	SA		PC8	2203-005249	C-CER,CHIP;100nF,10%,50V,X7R,1608	1	SA	
MR35	2007-000078	R-CHIP;1Kohm,5%,1/10W,TP,1608	1	SA		PC9	2401-001102	C-AL;330uF,20%,16V,GP,TP,8x11.5mm,5	1	SA	
MR36	2011-000816	R-NETWORK;100ohm,5%,1/16W,L,CHIP,8P	1	SA		PD1	0402-000309	DIODE-RECTIFIER;1SR154-400,400V,1A,	1	SA	
MR37	2007-000118	R-CHIP;390ohm,5%,1/10W,TP,1608	1	SA		PD2	0402-000309	DIODE-RECTIFIER;1SR154-400,400V,1A,	1	SA	
MR38	2007-000070	R-CHIP;0ohm,5%,1/10W,TP,1608	1	SA		PIC1	1203-002935	IC-POSI.ADJUST REG.;AIC1117ACE,TO-2	1	SA	
MR3A	2007-000070	R-CHIP;0ohm,5%,1/10W,TP,1608	1	SA		PIC7	1203-002935	IC-POSI.ADJUST REG.;AIC1117ACE,TO-2	1	SA	
MR47	2007-000552	R-CHIP;20ohm,5%,1/10W,TP,1608	1	SA		PQ1	0501-000341	TR-SMALL SIGNAL;KSC1623-L,NPN,200mW	1	SA	
MR48	2007-000552	R-CHIP;20ohm,5%,1/10W,TP,1608	1	SA		PQ2	0501-000407	TR-SMALL SIGNAL;KSD471A-Y,NPN,800mW	1	SA	
MR49	2007-000133	R-CHIP;330Kohm,5%,1/10W,TP,1608	1	SA		PQ3	0501-000002	TR-SMALL SIGNAL;KSA812,PNP,150MW,SO	1	SA	
MR4A	2007-000113	R-CHIP;33ohm,5%,1/10W,TP,1608	1	SA		PQ4	0501-000002	TR-SMALL SIGNAL;KSA812,PNP,150MW,SO	1	SA	
MR51	2007-000102	R-CHIP;100Kohm,5%,1/10W,TP,1608	1	SA		PQ5	0501-000341	TR-SMALL SIGNAL;KSC1623-L,NPN,200mW	1	SA	
MR52	2007-000113	R-CHIP;33ohm,5%,1/10W,TP,1608	1	SA		PQ6	0504-000156	TR-DIGITAL;KSR2103,PNP,200MW,22K/22	1	SA	
MR54	2007-000084	R-CHIP;4.7Kohm,5%,1/10W,TP,1608	1	SA		PR1	2007-000097	R-CHIP;47Kohm,5%,1/10W,TP,1608	1	SA	
MR58	2007-000084	R-CHIP;4.7Kohm,5%,1/10W,TP,1608	1	SA		PR10	2007-000293	R-CHIP;100ohm,5%,1/4W,TP,3216	1	SA	
MR61	2007-000070	R-CHIP;0ohm,5%,1/10W,TP,1608	1	SA		PR2	2007-000094	R-CHIP;22Kohm,5%,1/10W,TP,1608	1	SA	
MR62	2007-000077	R-CHIP;470ohm,5%,1/10W,TP,1608	1	SA		PR3	2007-000124	R-CHIP;2.2Kohm,5%,1/10W,TP,1608	1	SA	
MR63	2007-000090	R-CHIP;10Kohm,5%,1/10W,TP,1608	1	SA		PR4	2007-000078	R-CHIP;1Kohm,5%,1/10W,TP,1608	1	SA	
MR64	2007-000090	R-CHIP;10Kohm,5%,1/10W,TP,1608	1	SA		PR5	2007-000078	R-CHIP;1Kohm,5%,1/10W,TP,1608	1	SA	
MR69	2007-000074	R-CHIP;100ohm,5%,1/10W,TP,1608	1	SA		PR6	2007-000102	R-CHIP;100Kohm,5%,1/10W,TP,1608	1	SA	
MR70	2007-000074	R-CHIP;100ohm,5%,1/10W,TP,1608	1	SA		PR7	2007-000078	R-CHIP;1Kohm,5%,1/10W,TP,1608	1	SA	
MR70A	2007-000084	R-CHIP;4.7Kohm,5%,1/10W,TP,1608	1	SA		PR8	2007-000090	R-CHIP;10Kohm,5%,1/10W,TP,1608	1	SA	
MR71	2007-000078	R-CHIP;1Kohm,5%,1/10W,TP,1608	1	SA		PR9	2007-000120	R-CHIP;680ohm,5%,1/10W,TP,1608	1	SA	
MR72	2007-000078	R-CHIP;1Kohm,5%,1/10W,TP,1608	1	SA		RB01	3301-001495	BEAD-SMD;120ohm,2012,2500mA,TP,115o	1	SA	
MR73	2007-000081	R-CHIP;2.7Kohm,5%,1/10W,TP,1608	1	SA		RB02	3301-001495	BEAD-SMD;120ohm,2012,2500mA,TP,115o	1	SA	
MR74	2007-000081	R-CHIP;2.7Kohm,5%,1/10W,TP,1608	1	SA		RB03	3301-001495	BEAD-SMD;120ohm,2012,2500mA,TP,115o	1	SA	
MR75	2007-000084	R-CHIP;4.7Kohm,5%,1/10W,TP,1608	1	SA		RB04	3301-001495	BEAD-SMD;120ohm,2012,2500mA,TP,115o	1	SA	
MR76	2007-000084	R-CHIP;4.7Kohm,5%,1/10W,TP,1608	1	SA		RB05	3301-001069	BEAD-SMD;120ohm,1.6x0.8x0.8mm,200mA	1	SA	
MR84	2007-000070	R-CHIP;0ohm,5%,1/10W,TP,1608	1	SA		RB06	3301-001069	BEAD-SMD;120ohm,1.6x0.8x0.8mm,200mA	1	SA	
MR85	2007-000070	R-CHIP;0ohm,5%,1/10W,TP,1608	1	SA		RB07	3301-001495	BEAD-SMD;120ohm,2012,2500mA,TP,115o	1	SA	
MR86	2007-000070	R-CHIP;0ohm,5%,1/10W,TP,1608	1	SA		RB08	3301-001495	BEAD-SMD;120ohm,2012,2500mA,TP,115o	1	SA	
MR89	2007-000113	R-CHIP;33ohm,5%,1/10W,TP,1608	1	SA		RB09	3301-001495	BEAD-SMD;120ohm,2012,2500mA,TP,115o	1	SA	
MR90	2007-000113	R-CHIP;33ohm,5%,1/10W,TP,1608	1	SA		RB1A	3301-001495	BEAD-SMD;120ohm,2012,2500mA,TP,115o	1	SA	
MR91	2007-000113	R-CHIP;33ohm,5%,1/10W,TP,1608	1	SA		RC01	2401-001355	C-AL;470uF,20%,10V,GP,TP,8x11.5mm,5	1	SA	
MR92	2007-000119	R-CHIP;560ohm,5%,1/10W,TP,1608	1	SA		RC02	2203-000257	C-CER,CHIP;10nF,10%,50V,X7R,TP,1608	1	SA	
MR93	2007-000074	R-CHIP;100ohm,5%,1/10W,TP,1608	1	SA		RC03	2203-000189	C-CER,CHIP;100nF,+80-20%,25V,Y5V,16	1	SA	
MR94	2007-000078	R-CHIP;1Kohm,5%,1/10W,TP,1608	1	SA		RC07	2401-000042	C-AL;100uF,20%,16V,GP,TP,6.3x7,5	1	SA	
MR95	2007-000078	R-CHIP;1Kohm,5%,1/10W,TP,1608	1	SA		RC08	2203-005148	C-CER,CHIP;100nF,10%,16V,X7R,TP,160	1	SA	
MR98	2007-000070	R-CHIP;0ohm,5%,1/10W,TP,1608	1	SA		RC10	2203-005148	C-CER,CHIP;100nF,10%,16V,X7R,TP,160	1	SA	
MR99	2007-000070	R-CHIP;0ohm,5%,1/10W,TP,1608	1	SA		RC16	2401-000804	C-AL;220uF,20%,16V,GP,TP,8x9mm,5	1	SA	
MX01	2801-004284	CRYSTAL-SMD;27MHZ,10PPM,28-AAN,20PF	1	SA		RC17	2203-005148	C-CER,CHIP;100nF,10%,16V,X7R,TP,160	1	SA	
OIC1	0603-001205	OPTIC TRANSMITTER;5V,13.2Mb/s,-,-,-	1	SA		RC18	2203-005148	C-CER,CHIP;100nF,10%,16V,X7R,TP,160	1	SA	
OPTR1	2007-000070	R-CHIP;0ohm,5%,1/10W,TP,1608	1	SA		RC19	2203-000189	C-CER,CHIP;100nF,+80-20%,25V,Y5V,16	1	SA	
OPTR2	2007-000070	R-CHIP;0ohm,5%,1/10W,TP,1608	1	SA		RC20	2203-000189	C-CER,CHIP;100nF,+80-20%,25V,Y5V,16	1	SA	
PB12	3301-001495	BEAD-SMD;120ohm,2012,2500mA,TP,115o	1	SA		RC21	2203-000189	C-CER,CHIP;100nF,+80-20%,25V,Y5V,16	1	SA	
PB13	3301-001495	BEAD-SMD;120ohm,2012,2500mA,TP,115o	1	SA		RC22	2401-000042	C-AL;100uF,20%,16V,GP,TP,6.3x7,5	1	SA	
PB15	3301-001495	BEAD-SMD;120ohm,2012,2500mA,TP,115o	1	SA		RC23	2203-000189	C-CER,CHIP;100nF,+80-20%,25V,Y5V,16	1	SA	
PB4	3301-001495	BEAD-SMD;120ohm,2012,2500mA,TP,115o	1	SA		RC24	2203-000440	C-CER,CHIP;1nF,10%,50V,X7R,1608	1	SA	
PB5	3301-001495	BEAD-SMD;120ohm,2012,2500mA,TP,115o	1	SA		RC25	2401-000042	C-AL;100uF,20%,16V,GP,TP,6.3x7,5	1	SA	
PC1	2401-001102	C-AL;330uF,20%,16V,GP,TP,8x11.5mm,5	1	SA		RC26	2203-000440	C-CER,CHIP;1nF,10%,50V,X7R,1608	1	SA	
PC10	2203-005249	C-CER,CHIP;100nF,10%,50V,X7R,1608	1	SA		RC27	2203-000189	C-CER,CHIP;100nF,+80-20%,25V,Y5V,16	1	SA	
PC2	2401-001102	C-AL;330uF,20%,16V,GP,TP,8x11.5mm,5	1	SA		RC29	2203-000189	C-CER,CHIP;100nF,+80-20%,25V,Y5V,16	1	SA	
PC21	2401-001092	C-AL;330uF,20%,10V,GP,-,8x11.5,2.5mm	1	SA		RC42	2203-005015	C-CER,CHIP;150nF,+80-20%,16V,Y5V,16	1	SA	
PC23	2203-005249	C-CER,CHIP;100nF,10%,50V,X7R,1608	1	SA		RC43	2203-000440	C-CER,CHIP;1nF,10%,50V,X7R,1608	1	SA	
PC24	2401-001975	C-AL;47uF,20%,16V,GP,TP,5x11mm,5mm	1	SA							

Exploded View & Part List

Loc. No.	Part No.	Description;Specification	Q'ty	SNA	Remark	Loc. No.	Part No.	Description;Specification	Q'ty	SNA	Remark
RC44	2203-000888	C-CER,CHIP;4.7nF,10%,50V,X7R,1608	1	SA		RR47	2007-000084	R-CHIP;4.7Kohm,5%,1/10W,TP,1608	1	SA	
RC45	2203-005065	C-CER,CHIP;100nF,+80-20%,10V,Y5V,1	1	SA		RR48	2007-000124	R-CHIP;2.2Kohm,5%,1/10W,TP,1608	1	SA	
RC47	2401-001938	C-AL;22uF,20%,25V,GP,TP,5x11mm,5mm	1	SA		RR49	2007-000458	R-CHIP;18Kohm,5%,1/10W,TP,1608	1	SA	
RC49	2203-002398	C-CER,CHIP;22nF,10%,50V,X7R,1608	1	SA		RR50	2007-000109	R-CHIP;1Mohm,5%,1/10W,TP,1608	1	SA	
RC50	2203-000280	C-CER,CHIP;0.01nF,0.5pF,50V,C0G,160	1	SA		RR51	2007-000094	R-CHIP;22Kohm,5%,1/10W,TP,1608	1	SA	
RC51	2203-000236	C-CER,CHIP;0.1nF,5%,50V,C0G,1608	1	SA		RR52	2007-000070	R-CHIP;0ohm,5%,1/10W,TP,1608	1	SA	
RC52	2203-000440	C-CER,CHIP;1nF,10%,50V,X7R,1608	1	SA		RR53	2007-000070	R-CHIP;0ohm,5%,1/10W,TP,1608	1	SA	
RC53	2401-000414	C-AL;10uF,20%,16V,GP,TP,4x7,5	1	SA		RR54	2007-000078	R-CHIP;1Kohm,5%,1/10W,TP,1608	1	SA	
RC54	2203-001126	C-CER,CHIP;0.68nF,10%,50V,X7R,1608	1	SA		RR56	2007-000082	R-CHIP;3.3Kohm,5%,1/10W,TP,1608	1	SA	
RC55	2203-005148	C-CER,CHIP;100nF,10%,16V,X7R,TP,160	1	SA		RR57	2007-000120	R-CHIP;680ohm,5%,1/10W,TP,1608	1	SA	
RC55A	2203-000189	C-CER,CHIP;100nF,+80-20%,25V,Y5V,16	1	SA		RR58	2007-000090	R-CHIP;10Kohm,5%,1/10W,TP,1608	1	SA	
RC56	2203-005148	C-CER,CHIP;100nF,10%,16V,X7R,TP,160	1	SA		RR59	2007-000090	R-CHIP;10Kohm,5%,1/10W,TP,1608	1	SA	
RC57	2203-000257	C-CER,CHIP;10nF,10%,50V,X7R,TP,1608	1	SA		RR60	2007-000071	R-CHIP;22ohm,5%,1/10W,TP,1608	1	SA	
RC59	2203-000236	C-CER,CHIP;0.1nF,5%,50V,C0G,1608	1	SA		RR61	2007-000078	R-CHIP;1Kohm,5%,1/10W,TP,1608	1	SA	
RC60	2401-001938	C-AL;22uF,20%,25V,GP,TP,5x11mm,5mm	1	SA		RR62	2007-000090	R-CHIP;10Kohm,5%,1/10W,TP,1608	1	SA	
RC61	2203-000257	C-CER,CHIP;10nF,10%,50V,X7R,TP,1608	1	SA		RR63	2007-000071	R-CHIP;22ohm,5%,1/10W,TP,1608	1	SA	
RC62	2203-005148	C-CER,CHIP;100nF,10%,16V,X7R,TP,160	1	SA		RR64	2007-000078	R-CHIP;1Kohm,5%,1/10W,TP,1608	1	SA	
RC63	2203-001652	C-CER,CHIP;470nF,+80-20%,16V,Y5V,16	1	SA		RR65	2007-000078	R-CHIP;1Kohm,5%,1/10W,TP,1608	1	SA	
RC64	2203-000257	C-CER,CHIP;10nF,10%,50V,X7R,TP,1608	1	SA		RR66	2007-000090	R-CHIP;10Kohm,5%,1/10W,TP,1608	1	SA	
RC65	2203-001652	C-CER,CHIP;470nF,+80-20%,16V,Y5V,16	1	SA		RR74	2007-000090	R-CHIP;10Kohm,5%,1/10W,TP,1608	1	SA	
RC66	2203-000257	C-CER,CHIP;10nF,10%,50V,X7R,TP,1608	1	SA		RR75	2007-000106	R-CHIP;220Kohm,5%,1/10W,TP,1608	1	SA	
RC67	2401-001938	C-AL;22uF,20%,25V,GP,TP,5x11mm,5mm	1	SA		RR76	2007-000070	R-CHIP;0ohm,5%,1/10W,TP,1608	1	SA	
RC68	2203-005148	C-CER,CHIP;100nF,10%,16V,X7R,TP,160	1	SA		RR77	2007-000070	R-CHIP;0ohm,5%,1/10W,TP,1608	1	SA	
RC69	2203-001126	C-CER,CHIP;0.68nF,10%,50V,X7R,1608	1	SA		RR78	2007-000090	R-CHIP;10Kohm,5%,1/10W,TP,1608	1	SA	
RC9	2401-000804	C-AL;220uF,20%,16V,GP,TP,8x9mm,5	1	SA		RR79	2007-000070	R-CHIP;0ohm,5%,1/10W,TP,1608	1	SA	
RD02	0407-000116	DIODE-ARRAY;KDS181, DAP202K,80V,100	1	SA		RR80	2007-000070	R-CHIP;0ohm,5%,1/10W,TP,1608	1	SA	
RIC3	1201-001842	IC-OP AMP;TL3472CD,SO,TP,8P,-DUAL,	1	SA		RR82	2007-000070	R-CHIP;0ohm,5%,1/10W,TP,1608	1	SA	
RIC4	1003-001978	IC-MOTOR DRIVER;AM5766,HSOP28H,28P,	1	SA		RR83	2007-000070	R-CHIP;0ohm,5%,1/10W,TP,1608	1	SA	
RQ01	0504-000128	TR-DIGITAL;-NPN,200MW,22K/22K,SOT-	1	SA		RR84	2007-000070	R-CHIP;0ohm,5%,1/10W,TP,1608	1	SA	
RQ02	0504-000128	TR-DIGITAL;-NPN,200MW,22K/22K,SOT-	1	SA		RR85	2007-000070	R-CHIP;0ohm,5%,1/10W,TP,1608	1	SA	
RQ03	0504-000128	TR-DIGITAL;-NPN,200MW,22K/22K,SOT-	1	SA		RR86	2007-000122	R-CHIP;1.2Kohm,5%,1/10W,TP,1608	1	SA	
RQ04	0501-000632	TR-SMALL SIGNAL;2SB1197K,PNP,200mW,	1	SA		RR87	2007-000078	R-CHIP;1Kohm,5%,1/10W,TP,1608	1	SA	
RQ05	0501-000632	TR-SMALL SIGNAL;2SB1197K,PNP,200mW,	1	SA		RR88	2007-000122	R-CHIP;1.2Kohm,5%,1/10W,TP,1608	1	SA	
RR01	2007-000070	R-CHIP;0ohm,5%,1/10W,TP,1608	1	SA		RR89	2007-000078	R-CHIP;1Kohm,5%,1/10W,TP,1608	1	SA	
RR02	2007-000070	R-CHIP;0ohm,5%,1/10W,TP,1608	1	SA		RR90	2007-000084	R-CHIP;4.7Kohm,5%,1/10W,TP,1608	1	SA	
RR100	2007-000078	R-CHIP;1Kohm,5%,1/10W,TP,1608	1	SA		RR91	2007-000074	R-CHIP;100ohm,5%,1/10W,TP,1608	1	SA	
RR114	2007-000113	R-CHIP;33ohm,5%,1/10W,TP,1608	1	SA		RR92	2007-000074	R-CHIP;100ohm,5%,1/10W,TP,1608	1	SA	
RR13	2007-000094	R-CHIP;22Kohm,5%,1/10W,TP,1608	1	SA		RR93	2007-000097	R-CHIP;47Kohm,5%,1/10W,TP,1608	1	SA	
RR14	2007-000070	R-CHIP;0ohm,5%,1/10W,TP,1608	1	SA		RR94	2007-000097	R-CHIP;47Kohm,5%,1/10W,TP,1608	1	SA	
RR15	2007-000087	R-CHIP;6.8Kohm,5%,1/10W,TP,1608	1	SA		RR95	2007-000097	R-CHIP;47Kohm,5%,1/10W,TP,1608	1	SA	
RR24	2007-000092	R-CHIP;15Kohm,5%,1/10W,TP,1608	1	SA		RR97	2007-000098	R-CHIP;56Kohm,5%,1/10W,TP,1608	1	SA	
RR3	2007-000029	R-CHIP;0ohm,5%,1/8W,TP,2012	1	SA		RR98	2007-000130	R-CHIP;39Kohm,5%,1/10W,TP,1608	1	SA	
RR31	2007-000077	R-CHIP;470ohm,5%,1/10W,TP,1608	1	SA		RR99	2007-000098	R-CHIP;56Kohm,5%,1/10W,TP,1608	1	SA	
RR32	2007-000308	R-CHIP;10ohm,5%,1/8W,TP,2012	1	SA		SW1	2007-000070	R-CHIP;0ohm,5%,1/10W,TP,1608	1	SA	
RR33	2007-000308	R-CHIP;10ohm,5%,1/8W,TP,2012	1	SA		UC1	2203-001607	C-CER,CHIP;0.22nF,5%,50V,NP0,1608	1	SA	
RR34	2007-000090	R-CHIP;10Kohm,5%,1/10W,TP,1608	1	SA		UC15	2203-005148	C-CER,CHIP;100nF,10%,16V,X7R,TP,160	1	SA	
RR35	2007-000078	R-CHIP;1Kohm,5%,1/10W,TP,1608	1	SA		UC16	2203-005148	C-CER,CHIP;100nF,10%,16V,X7R,TP,160	1	SA	
RR36	2007-000097	R-CHIP;47Kohm,5%,1/10W,TP,1608	1	SA		UC1A	2203-005148	C-CER,CHIP;100nF,10%,16V,X7R,TP,160	1	SA	
RR37	2007-000308	R-CHIP;10ohm,5%,1/8W,TP,2012	1	SA		UC22	2203-000972	C-CER,CHIP;47nF,10%,16V,X7R,1608	1	SA	
RR38	2007-000308	R-CHIP;10ohm,5%,1/8W,TP,2012	1	SA		UC3	2203-001607	C-CER,CHIP;0.22nF,5%,50V,NP0,1608	1	SA	
RR39	2007-000090	R-CHIP;10Kohm,5%,1/10W,TP,1608	1	SA		UC39	2203-005148	C-CER,CHIP;100nF,10%,16V,X7R,TP,160	1	SA	
RR40	2007-000078	R-CHIP;1Kohm,5%,1/10W,TP,1608	1	SA		UC55	2203-005148	C-CER,CHIP;100nF,10%,16V,X7R,TP,160	1	SA	
RR41	2007-000097	R-CHIP;47Kohm,5%,1/10W,TP,1608	1	SA		UC60	2203-000236	C-CER,CHIP;0.1nF,5%,50V,C0G,1608	1	SA	
RR42	2007-000070	R-CHIP;0ohm,5%,1/10W,TP,1608	1	SA		UC61	2203-000236	C-CER,CHIP;0.1nF,5%,50V,C0G,1608	1	SA	
RR43	2007-000098	R-CHIP;56Kohm,5%,1/10W,TP,1608	1	SA		UC62	2203-000236	C-CER,CHIP;0.1nF,5%,50V,C0G,1608	1	SA	
RR44	2007-000098	R-CHIP;56Kohm,5%,1/10W,TP,1608	1	SA		UC63	2203-000236	C-CER,CHIP;0.1nF,5%,50V,C0G,1608	1	SA	
RR45	2007-000102	R-CHIP;100Kohm,5%,1/10W,TP,1608	1	SA		UC67	2203-005249	C-CER,CHIP;100nF,10%,50V,X7R,1608	1	SA	
RR46	2007-000102	R-CHIP;100Kohm,5%,1/10W,TP,1608	1	SA		UC88	2203-005148	C-CER,CHIP;100nF,10%,16V,X7R,TP,160	1	SA	
						UC9	2203-000257	C-CER,CHIP;10nF,10%,50V,X7R,TP,1608	1	SA	

Loc. No.	Part No.	Description;Specification	Q'ty	SNA	Remark	Loc. No.	Part No.	Description;Specification	Q'ty	SNA	Remark
UCC1	2401-001952	C-AL;4.7uF,20%,50V,GP,TP,5x7mm,5mm	1	SA		UR41	2007-000074	R-CHIP;100ohm,5%,1/10W,TP,1608	1	SA	
UCC10	2401-000042	C-AL;100uF,20%,16V,GP,TP,6.3x7.5	1	SA		UR41A	2007-000084	R-CHIP;4.7Kohm,5%,1/10W,TP,1608	1	SA	
UCC11	2203-005148	C-CER,CHIP;100nF,10%,16V,X7R,TP,160	1	SA		UR42	2007-000074	R-CHIP;100ohm,5%,1/10W,TP,1608	1	SA	
UCC12	2401-000042	C-AL;100uF,20%,16V,GP,TP,6.3x7.5	1	SA		UR43	2007-000074	R-CHIP;100ohm,5%,1/10W,TP,1608	1	SA	
UCC3	2409-000123	C-EDL;47000uF,4uA,5.5V,-,BK,-,5mm	1	SA		UR44	2007-000074	R-CHIP;100ohm,5%,1/10W,TP,1608	1	SA	
UCC4	2203-005148	C-CER,CHIP;100nF,10%,16V,X7R,TP,160	1	SA		UR45	2007-000074	R-CHIP;100ohm,5%,1/10W,TP,1608	1	SA	
UCC6	2401-000759	C-AL;220nF,20%,50V,GP,TP,5x11mm,5mm	1	SA		UR47	2007-000074	R-CHIP;100ohm,5%,1/10W,TP,1608	1	SA	
UCC7	2401-000042	C-AL;100uF,20%,16V,GP,TP,6.3x7.5	1	SA		UR48	2007-000074	R-CHIP;100ohm,5%,1/10W,TP,1608	1	SA	
UCC8	2203-005148	C-CER,CHIP;100nF,10%,16V,X7R,TP,160	1	SA		UR49	2007-000074	R-CHIP;100ohm,5%,1/10W,TP,1608	1	SA	
UD1	0401-001090	DIODE-SWITCHING;1SS355,80V,100MA,SO	1	SA		UR5	2007-000074	R-CHIP;100ohm,5%,1/10W,TP,1608	1	SA	
UD2	0401-001090	DIODE-SWITCHING;1SS355,80V,100MA,SO	1	SA		UR53	2007-000074	R-CHIP;100ohm,5%,1/10W,TP,1608	1	SA	
UD4	0401-001090	DIODE-SWITCHING;1SS355,80V,100MA,SO	1	SA		UR54	2007-000074	R-CHIP;100ohm,5%,1/10W,TP,1608	1	SA	
UD5	0401-001090	DIODE-SWITCHING;1SS355,80V,100MA,SO	1	SA		UR55	2007-000097	R-CHIP;47Kohm,5%,1/10W,TP,1608	1	SA	
UD6	0401-001090	DIODE-SWITCHING;1SS355,80V,100MA,SO	1	SA		UR57	2007-000074	R-CHIP;100ohm,5%,1/10W,TP,1608	1	SA	
UD7	0401-001090	DIODE-SWITCHING;1SS355,80V,100MA,SO	1	SA		UR58	2007-000074	R-CHIP;100ohm,5%,1/10W,TP,1608	1	SA	
UIC1	0903-001405	IC-MICROCONTROLLER;LC87F5CC8A,8Bit,	1	SA		UR59	2007-000074	R-CHIP;100ohm,5%,1/10W,TP,1608	1	SA	
UL1	3301-001069	BEAD-SMD;120ohm,1.6x0.8x0.8mm,200mA	1	SA		UR60	2007-000074	R-CHIP;100ohm,5%,1/10W,TP,1608	1	SA	
UL2	3301-001069	BEAD-SMD;120ohm,1.6x0.8x0.8mm,200mA	1	SA		UR61	2007-000074	R-CHIP;100ohm,5%,1/10W,TP,1608	1	SA	
UL3	3301-001069	BEAD-SMD;120ohm,1.6x0.8x0.8mm,200mA	1	SA		UR64	2007-000074	R-CHIP;100ohm,5%,1/10W,TP,1608	1	SA	
UL4	3301-001069	BEAD-SMD;120ohm,1.6x0.8x0.8mm,200mA	1	SA		UR65	2007-000074	R-CHIP;100ohm,5%,1/10W,TP,1608	1	SA	
UL5	3301-001069	BEAD-SMD;120ohm,1.6x0.8x0.8mm,200mA	1	SA		UR69	2007-000074	R-CHIP;100ohm,5%,1/10W,TP,1608	1	SA	
UQ1	0501-000341	TR-SMALL SIGNAL;KSC1623-L,NPN,200mW	1	SA		UR6A	2007-000078	R-CHIP;1Kohm,5%,1/10W,TP,1608	1	SA	
UR1	2007-000078	R-CHIP;1Kohm,5%,1/10W,TP,1608	1	SA		UR70	2007-000074	R-CHIP;100ohm,5%,1/10W,TP,1608	1	SA	
UR110	2007-000102	R-CHIP;100Kohm,5%,1/10W,TP,1608	1	SA		UR70A	2007-000078	R-CHIP;1Kohm,5%,1/10W,TP,1608	1	SA	
UR111	2007-000102	R-CHIP;100Kohm,5%,1/10W,TP,1608	1	SA		UR71	2007-000074	R-CHIP;100ohm,5%,1/10W,TP,1608	1	SA	
UR112	2007-000102	R-CHIP;100Kohm,5%,1/10W,TP,1608	1	SA		UR71A	2007-000078	R-CHIP;1Kohm,5%,1/10W,TP,1608	1	SA	
UR113	2007-000102	R-CHIP;100Kohm,5%,1/10W,TP,1608	1	SA		UR72	2007-000074	R-CHIP;100ohm,5%,1/10W,TP,1608	1	SA	
UR118	2007-000074	R-CHIP;100ohm,5%,1/10W,TP,1608	1	SA		UR72A	2007-000078	R-CHIP;1Kohm,5%,1/10W,TP,1608	1	SA	
UR12	2007-000109	R-CHIP;1Mohm,5%,1/10W,TP,1608	1	SA		UR73	2007-000074	R-CHIP;100ohm,5%,1/10W,TP,1608	1	SA	
UR13	2007-000402	R-CHIP;150ohm,5%,1/10W,TP,1608	1	SA		UR73A	2007-000078	R-CHIP;1Kohm,5%,1/10W,TP,1608	1	SA	
UR130	2007-000078	R-CHIP;1Kohm,5%,1/10W,TP,1608	1	SA		UR74	2007-000074	R-CHIP;100ohm,5%,1/10W,TP,1608	1	SA	
UR134	2007-000097	R-CHIP;47Kohm,5%,1/10W,TP,1608	1	SA		UR75	2007-000074	R-CHIP;100ohm,5%,1/10W,TP,1608	1	SA	
UR15	2007-000090	R-CHIP;10Kohm,5%,1/10W,TP,1608	1	SA		UR76	2007-000074	R-CHIP;100ohm,5%,1/10W,TP,1608	1	SA	
UR16	2007-000074	R-CHIP;100ohm,5%,1/10W,TP,1608	1	SA		UR77	2007-000074	R-CHIP;100ohm,5%,1/10W,TP,1608	1	SA	
UR17	2007-000090	R-CHIP;10Kohm,5%,1/10W,TP,1608	1	SA		UR78	2007-000074	R-CHIP;100ohm,5%,1/10W,TP,1608	1	SA	
UR19	2007-000074	R-CHIP;100ohm,5%,1/10W,TP,1608	1	SA		UR79	2007-000074	R-CHIP;100ohm,5%,1/10W,TP,1608	1	SA	
UR2	2007-000078	R-CHIP;1Kohm,5%,1/10W,TP,1608	1	SA		UR80	2007-000074	R-CHIP;100ohm,5%,1/10W,TP,1608	1	SA	
UR20	2007-000074	R-CHIP;100ohm,5%,1/10W,TP,1608	1	SA		UR81	2007-000074	R-CHIP;100ohm,5%,1/10W,TP,1608	1	SA	
UR20A	2007-000090	R-CHIP;10Kohm,5%,1/10W,TP,1608	1	SA		UR82	2007-000074	R-CHIP;100ohm,5%,1/10W,TP,1608	1	SA	
UR20C	2007-000090	R-CHIP;10Kohm,5%,1/10W,TP,1608	1	SA		UR83	2007-000074	R-CHIP;100ohm,5%,1/10W,TP,1608	1	SA	
UR21	2007-000074	R-CHIP;100ohm,5%,1/10W,TP,1608	1	SA		UR84	2007-000074	R-CHIP;100ohm,5%,1/10W,TP,1608	1	SA	
UR22	2007-000084	R-CHIP;4.7Kohm,5%,1/10W,TP,1608	1	SA		UR84A	2007-000074	R-CHIP;100ohm,5%,1/10W,TP,1608	1	SA	
UR22A	2007-000078	R-CHIP;1Kohm,5%,1/10W,TP,1608	1	SA		UR85	2007-000074	R-CHIP;100ohm,5%,1/10W,TP,1608	1	SA	
UR23	2007-000097	R-CHIP;47Kohm,5%,1/10W,TP,1608	1	SA		UR86	2007-000074	R-CHIP;100ohm,5%,1/10W,TP,1608	1	SA	
UR27	2007-000074	R-CHIP;100ohm,5%,1/10W,TP,1608	1	SA		UR87	2007-000074	R-CHIP;100ohm,5%,1/10W,TP,1608	1	SA	
UR28	2007-000074	R-CHIP;100ohm,5%,1/10W,TP,1608	1	SA		UR89	2007-000090	R-CHIP;10Kohm,5%,1/10W,TP,1608	1	SA	
UR29	2007-000074	R-CHIP;100ohm,5%,1/10W,TP,1608	1	SA		UR9	2007-000078	R-CHIP;1Kohm,5%,1/10W,TP,1608	1	SA	
UR3	2007-000078	R-CHIP;1Kohm,5%,1/10W,TP,1608	1	SA		UR90	2007-000074	R-CHIP;100ohm,5%,1/10W,TP,1608	1	SA	
UR30	2007-000074	R-CHIP;100ohm,5%,1/10W,TP,1608	1	SA		URR4	2007-000106	R-CHIP;220Kohm,5%,1/10W,TP,1608	1	SA	
UR31	2007-000074	R-CHIP;100ohm,5%,1/10W,TP,1608	1	SA		URR6	2007-000124	R-CHIP;2.2Kohm,5%,1/10W,TP,1608	1	SA	
UR32	2007-000074	R-CHIP;100ohm,5%,1/10W,TP,1608	1	SA		URR7	2007-000084	R-CHIP;4.7Kohm,5%,1/10W,TP,1608	1	SA	
UR33	2007-000074	R-CHIP;100ohm,5%,1/10W,TP,1608	1	SA		URR8	2007-000075	R-CHIP;220ohm,5%,1/10W,TP,1608	1	SA	
UR33A	2007-000090	R-CHIP;10Kohm,5%,1/10W,TP,1608	1	SA		VC1	2203-005148	C-CER,CHIP;100nF,10%,16V,X7R,TP,160	1	SA	
UR35	2007-000074	R-CHIP;100ohm,5%,1/10W,TP,1608	1	SA		VC10	2203-005065	C-CER,CHIP;1000nF,+80-20%,10V,Y5V,1	1	SA	
UR36	2007-000074	R-CHIP;100ohm,5%,1/10W,TP,1608	1	SA		VC11	2401-000414	C-AL;10uF,20%,16V,GP,TP,4x7.5	1	SA	
UR38	2007-000074	R-CHIP;100ohm,5%,1/10W,TP,1608	1	SA		VC12	2203-005148	C-CER,CHIP;100nF,10%,16V,X7R,TP,160	1	SA	
UR4	2007-000074	R-CHIP;100ohm,5%,1/10W,TP,1608	1	SA		VC13	2203-005148	C-CER,CHIP;100nF,10%,16V,X7R,TP,160	1	SA	
UR40	2007-000084	R-CHIP;4.7Kohm,5%,1/10W,TP,1608	1	SA		VC14	2401-001092	C-AL;330uF,20%,10V,GP,-,8x11.5,2.5m	1	SA	

Exploded View & Part List

Loc. No.	Part No.	Description;Specification	Q'ty	SNA	Remark	Loc. No.	Part No.	Description;Specification	Q'ty	SNA	Remark
VC15	2401-001092	C-AL;330uF,20%,10V,GP,-,8x11.5,2.5m	1	SA		VR14	2007-001167	R-CHIP;75ohm,5%,1/10W,TP,1608	1	SA	
VC16	2401-001092	C-AL;330uF,20%,10V,GP,-,8x11.5,2.5m	1	SA		VR15	2007-001167	R-CHIP;75ohm,5%,1/10W,TP,1608	1	SA	
VC17	2401-000042	C-AL;100uF,20%,16V,GP,TP,6.3x7,5	1	SA		VR16	2007-001167	R-CHIP;75ohm,5%,1/10W,TP,1608	1	SA	
VC18	2401-000042	C-AL;100uF,20%,16V,GP,TP,6.3x7,5	1	SA		VR17	2007-001167	R-CHIP;75ohm,5%,1/10W,TP,1608	1	SA	
VC19	2401-000042	C-AL;100uF,20%,16V,GP,TP,6.3x7,5	1	SA		VR18	2007-001167	R-CHIP;75ohm,5%,1/10W,TP,1608	1	SA	
VC2	2401-000042	C-AL;100uF,20%,16V,GP,TP,6.3x7,5	1	SA		VR2	2007-001167	R-CHIP;75ohm,5%,1/10W,TP,1608	1	SA	
VC20	2401-000918	C-AL;22uF,20%,16V,GP,-,6.3x7,5	1	SA		VR21	2007-000070	R-CHIP;0ohm,5%,1/10W,TP,1608	1	SA	
VC21	2203-000783	C-CER,CHIP;0.33nF,5%,50V,C0G,1608	1	SA		VR3	2007-001167	R-CHIP;75ohm,5%,1/10W,TP,1608	1	SA	
VC22	2401-000042	C-AL;100uF,20%,16V,GP,TP,6.3x7,5	1	SA		VR30	2007-000078	R-CHIP;1Kohm,5%,1/10W,TP,1608	1	SA	
VC24	2203-000783	C-CER,CHIP;0.33nF,5%,50V,C0G,1608	1	SA		VR31	2007-000078	R-CHIP;1Kohm,5%,1/10W,TP,1608	1	SA	
VC26	2203-005148	C-CER,CHIP;100nF,10%,16V,X7R,TP,160	1	SA		VR32	2007-000078	R-CHIP;1Kohm,5%,1/10W,TP,1608	1	SA	
VC28	2203-000280	C-CER,CHIP;0.01nF,0.5pF,50V,C0G,160	1	SA		VR38	2007-000082	R-CHIP;3.3Kohm,5%,1/10W,TP,1608	1	SA	
VC3	2203-000280	C-CER,CHIP;0.01nF,0.5pF,50V,C0G,160	1	SA		VR39	2007-000119	R-CHIP;560ohm,5%,1/10W,TP,1608	1	SA	
VC30	2203-005148	C-CER,CHIP;100nF,10%,16V,X7R,TP,160	1	SA		VR4	2007-001167	R-CHIP;75ohm,5%,1/10W,TP,1608	1	SA	
VC38	2401-001092	C-AL;330uF,20%,10V,GP,-,8x11.5,2.5m	1	SA		VR42	2007-000102	R-CHIP;100Kohm,5%,1/10W,TP,1608	1	SA	
VC4	2203-000280	C-CER,CHIP;0.01nF,0.5pF,50V,C0G,160	1	SA		VR44	2007-000084	R-CHIP;4.7Kohm,5%,1/10W,TP,1608	1	SA	
VC40	2203-005148	C-CER,CHIP;100nF,10%,16V,X7R,TP,160	1	SA		VR48	2007-000090	R-CHIP;10Kohm,5%,1/10W,TP,1608	1	SA	
VC45	2203-000257	C-CER,CHIP;10nF,10%,50V,X7R,TP,1608	1	SA		VR5	2007-001167	R-CHIP;75ohm,5%,1/10W,TP,1608	1	SA	
VC46	2203-000257	C-CER,CHIP;10nF,10%,50V,X7R,TP,1608	1	SA		VR59	2007-000090	R-CHIP;10Kohm,5%,1/10W,TP,1608	1	SA	
VC49	2203-000280	C-CER,CHIP;0.01nF,0.5pF,50V,C0G,160	1	SA		VR6	2007-001167	R-CHIP;75ohm,5%,1/10W,TP,1608	1	SA	
VC5	2203-000280	C-CER,CHIP;0.01nF,0.5pF,50V,C0G,160	1	SA		VR60	2007-000090	R-CHIP;10Kohm,5%,1/10W,TP,1608	1	SA	
VC50	2203-000280	C-CER,CHIP;0.01nF,0.5pF,50V,C0G,160	1	SA		VR61	2007-000075	R-CHIP;220ohm,5%,1/10W,TP,1608	1	SA	
VC51	2203-000280	C-CER,CHIP;0.01nF,0.5pF,50V,C0G,160	1	SA		VR62	2007-000309	R-CHIP;10ohm,5%,1/10W,TP,1608	1	SA	
VC6	2203-000280	C-CER,CHIP;0.01nF,0.5pF,50V,C0G,160	1	SA		VR66	2007-001167	R-CHIP;75ohm,5%,1/10W,TP,1608	1	SA	
VC7	2203-005065	C-CER,CHIP;1000nF,+80-20%,10V,Y5V,1	1	SA		VR7	2007-001167	R-CHIP;75ohm,5%,1/10W,TP,1608	1	SA	
VC8	2203-005065	C-CER,CHIP;1000nF,+80-20%,10V,Y5V,1	1	SA		VR8	2007-001167	R-CHIP;75ohm,5%,1/10W,TP,1608	1	SA	
VC9	2203-005065	C-CER,CHIP;1000nF,+80-20%,10V,Y5V,1	1	SA		VR9	2007-000125	R-CHIP;3.9Kohm,5%,1/10W,TP,1608	1	SA	
VIC1	1204-001978	IC-VIDEO PROCESS;LA73054,-,36P,-,SS	1	SA		VRC20	2203-005819	C-CER,CHIP;1000nF,+80-20%,16V,Y5V,-	1	SA	
VJ4	3722-002283	JACK-SCART;21P+3P,-,SN,BLK,-	1	SA		VRC22	2203-005819	C-CER,CHIP;1000nF,+80-20%,16V,Y5V,-	1	SA	
VJP1	2007-000029	R-CHIP;0ohm,5%,1/8W,TP,2012	1	SA		WBT01	3708-001925	CONNECTOR-FPC/FFC/PIC;7P,1MM,SMD-S,	1	SA	
VJP2	2007-000029	R-CHIP;0ohm,5%,1/8W,TP,2012	1	SA		XD1	0401-001110	DIODE-SWITCHING;- ,80V,100MA,SOD-523	1	SA	
VL1	3301-001495	BEAD-SMD;120ohm,2012,2500mA,TP,115o	1	SA		XD10	0401-001110	DIODE-SWITCHING;- ,80V,100MA,SOD-523	1	SA	
VL2	3301-001495	BEAD-SMD;120ohm,2012,2500mA,TP,115o	1	SA		XD11	0401-001110	DIODE-SWITCHING;- ,80V,100MA,SOD-523	1	SA	
VL20	2703-000275	INDUCTOR-SMD;33UH,10%,2012	1	SA		XD12	0401-001110	DIODE-SWITCHING;- ,80V,100MA,SOD-523	1	SA	
VL21	2703-000275	INDUCTOR-SMD;33UH,10%,2012	1	SA		XD2	0401-001110	DIODE-SWITCHING;- ,80V,100MA,SOD-523	1	SA	
VL26	3301-001495	BEAD-SMD;120ohm,2012,2500mA,TP,115o	1	SA		XD3	0401-001110	DIODE-SWITCHING;- ,80V,100MA,SOD-523	1	SA	
VL27	2703-002238	INDUCTOR-SMD;1UH,5%,2012	1	SA		XD4	0401-001110	DIODE-SWITCHING;- ,80V,100MA,SOD-523	1	SA	
VL28	2703-002238	INDUCTOR-SMD;1UH,5%,2012	1	SA		XD5	0401-001110	DIODE-SWITCHING;- ,80V,100MA,SOD-523	1	SA	
VL29	2703-002238	INDUCTOR-SMD;1UH,5%,2012	1	SA		XD6	0401-001110	DIODE-SWITCHING;- ,80V,100MA,SOD-523	1	SA	
VL3	2703-002238	INDUCTOR-SMD;1UH,5%,2012	1	SA		XD7	0401-001110	DIODE-SWITCHING;- ,80V,100MA,SOD-523	1	SA	
VL4	2703-002238	INDUCTOR-SMD;1UH,5%,2012	1	SA		XD8	0401-001110	DIODE-SWITCHING;- ,80V,100MA,SOD-523	1	SA	
VL5	2703-002238	INDUCTOR-SMD;1UH,5%,2012	1	SA		XD9	0401-001110	DIODE-SWITCHING;- ,80V,100MA,SOD-523	1	SA	
VL6	2703-002238	INDUCTOR-SMD;1UH,5%,2012	1	SA		X-TAL1	2802-001174	RESONATOR-CERAMIC;10MHZ,0.5%,BK,8X3	1	SA	
VL7	2703-002238	INDUCTOR-SMD;1UH,5%,2012	1	SA		ZAC1	2401-000651	C-AL;2.2uF,20%,50V,GP,TP,4x7,5	1	SA	
VL8	2007-000029	R-CHIP;0ohm,5%,1/8W,TP,2012	1	SA		ZAC10	2203-000491	C-CER,CHIP;2.2nF,10%,50V,X7R,1608	1	SA	
VQ10	0504-000152	TR-DIGITAL;KSR2101,NPN,200mW,4.7K/4	1	SA		ZAC11	2401-000414	C-AL;10uF,20%,16V,GP,TP,4x7,5	1	SA	
VQ11	0501-002184	TR-SMALL SIGNAL;KTD1304,NPN,200mW,S	1	SA		ZAC12	2203-005148	C-CER,CHIP;100nF,10%,16V,X7R,TP,160	1	SA	
VQ12	0501-002184	TR-SMALL SIGNAL;KTD1304,NPN,200mW,S	1	SA		ZAC13	2401-001508	C-AL;47uF,20%,16V,GP,TP,6.3x5,5	1	SA	
VQ13	0504-000128	TR-DIGITAL;- ,NPN,200MW,22K/22K,SOT-	1	SA		ZAC14	2203-005148	C-CER,CHIP;100nF,10%,16V,X7R,TP,160	1	SA	
VQ14	0501-002184	TR-SMALL SIGNAL;KTD1304,NPN,200mW,S	1	SA		ZAC17	2401-000651	C-AL;2.2uF,20%,50V,GP,TP,4x7,5	1	SA	
VQ15	0504-000128	TR-DIGITAL;- ,NPN,200MW,22K/22K,SOT-	1	SA		ZAC18	2401-001508	C-AL;47uF,20%,16V,GP,TP,6.3x5,5	1	SA	
VQ7	0501-000341	TR-SMALL SIGNAL;KSC1623-L,NPN,200mW	1	SA		ZAC19	2401-000651	C-AL;2.2uF,20%,50V,GP,TP,4x7,5	1	SA	
VR1	2007-001167	R-CHIP;75ohm,5%,1/10W,TP,1608	1	SA		ZAC2	2401-000651	C-AL;2.2uF,20%,50V,GP,TP,4x7,5	1	SA	
VR11	2007-000084	R-CHIP;4.7Kohm,5%,1/10W,TP,1608	1	SA		ZAC20	2203-000783	C-CER,CHIP;0.33nF,5%,50V,C0G,1608	1	SA	
VR112	2007-001167	R-CHIP;75ohm,5%,1/10W,TP,1608	1	SA		ZAC21	2203-005148	C-CER,CHIP;100nF,10%,16V,X7R,TP,160	1	SA	
VR115	2007-001167	R-CHIP;75ohm,5%,1/10W,TP,1608	1	SA		ZAC22	2203-000783	C-CER,CHIP;0.33nF,5%,50V,C0G,1608	1	SA	
VR117	2007-001167	R-CHIP;75ohm,5%,1/10W,TP,1608	1	SA		ZAC23	2203-002398	C-CER,CHIP;22nF,10%,50V,X7R,1608	1	SA	
VR12	2007-001167	R-CHIP;75ohm,5%,1/10W,TP,1608	1	SA		ZAC24	2401-000651	C-AL;2.2uF,20%,50V,GP,TP,4x7,5	1	SA	
VR13	2007-001167	R-CHIP;75ohm,5%,1/10W,TP,1608	1	SA							

Loc. No.	Part No.	Description;Specification	Q'ty	SNA	Remark	Loc. No.	Part No.	Description;Specification	Q'ty	SNA	Remark
ZAC25	2401-000651	C-AL;2.2uF,20%,50V,GP,TP,4x7,5	1	SA		C12C	2203-000257	C-CER,CHIP;10nF,10%,50V,X7R,TP,1608	1	SA	
ZAC26	2203-005148	C-CER,CHIP;100nF,10%,16V,X7R,TP,160	1	SA		C12FL	2203-000257	C-CER,CHIP;10nF,10%,50V,X7R,TP,1608	1	SA	
ZAC27	2203-005148	C-CER,CHIP;100nF,10%,16V,X7R,TP,160	1	SA		C12FR	2203-000257	C-CER,CHIP;10nF,10%,50V,X7R,TP,1608	1	SA	
ZAC28	2203-005148	C-CER,CHIP;100nF,10%,16V,X7R,TP,160	1	SA		C12RL	2203-000257	C-CER,CHIP;10nF,10%,50V,X7R,TP,1608	1	SA	
ZAC3	2401-000651	C-AL;2.2uF,20%,50V,GP,TP,4x7,5	1	SA		C12RR	2203-001634	C-CER,CHIP;33nF,10%,50V,X7R,1608	1	SA	
ZAC4	2401-000651	C-AL;2.2uF,20%,50V,GP,TP,4x7,5	1	SA		C12SW	2203-000257	C-CER,CHIP;10nF,10%,50V,X7R,TP,1608	1	SA	
ZAC5	2203-005148	C-CER,CHIP;100nF,10%,16V,X7R,TP,160	1	SA		C13C	2203-000787	C-CER,CHIP;0.33NF,5%,50V,C0G,TP,201	1	SA	
ZAC6	2203-005148	C-CER,CHIP;100nF,10%,16V,X7R,TP,160	1	SA		C13FL	2203-000787	C-CER,CHIP;0.33NF,5%,50V,C0G,TP,201	1	SA	
ZAC7	2401-000042	C-AL;100uF,20%,16V,GP,TP,6.3x7,5	1	SA		C13RL	2203-000787	C-CER,CHIP;0.33NF,5%,50V,C0G,TP,201	1	SA	
ZAC8	2401-000042	C-AL;100uF,20%,16V,GP,TP,6.3x7,5	1	SA		C13SW	2203-000787	C-CER,CHIP;0.33NF,5%,50V,C0G,TP,201	1	SA	
ZAC9	2203-000491	C-CER,CHIP;2.2nF,10%,50V,X7R,1608	1	SA		C14C	2203-000787	C-CER,CHIP;0.33NF,5%,50V,C0G,TP,201	1	SA	
ZAL1	3301-001495	BEAD-SMD;120ohm,2012,2500mA,TP,115o	1	SA		C14FL	2203-000787	C-CER,CHIP;0.33NF,5%,50V,C0G,TP,201	1	SA	
ZAL2	3301-001495	BEAD-SMD;120ohm,2012,2500mA,TP,115o	1	SA		C14RL	2203-000787	C-CER,CHIP;0.33NF,5%,50V,C0G,TP,201	1	SA	
ZAL3	3301-001495	BEAD-SMD;120ohm,2012,2500mA,TP,115o	1	SA		C14SW	2203-000787	C-CER,CHIP;0.33NF,5%,50V,C0G,TP,201	1	SA	
ZAL4	3301-001495	BEAD-SMD;120ohm,2012,2500mA,TP,115o	1	SA		C15C	2203-005249	C-CER,CHIP;100nF,10%,50V,X7R,1608	1	SA	
ZAL6	3301-001495	BEAD-SMD;120ohm,2012,2500mA,TP,115o	1	SA		C15FL	2203-005249	C-CER,CHIP;100nF,10%,50V,X7R,1608	1	SA	
ZAL7	3301-001495	BEAD-SMD;120ohm,2012,2500mA,TP,115o	1	SA		C15FR	2203-005249	C-CER,CHIP;100nF,10%,50V,X7R,1608	1	SA	
ZAL8	3301-001495	BEAD-SMD;120ohm,2012,2500mA,TP,115o	1	SA		C15RL	2203-005249	C-CER,CHIP;100nF,10%,50V,X7R,1608	1	SA	
ZAR1	2007-000094	R-CHIP;22Kohm,5%,1/10W,TP,1608	1	SA		C15SW	2203-005249	C-CER,CHIP;100nF,10%,50V,X7R,1608	1	SA	
ZAR10	2007-000102	R-CHIP;100Kohm,5%,1/10W,TP,1608	1	SA		C16C	2203-000257	C-CER,CHIP;10nF,10%,50V,X7R,TP,1608	1	SA	
ZAR11	2007-000094	R-CHIP;22Kohm,5%,1/10W,TP,1608	1	SA		C16FL	2203-000257	C-CER,CHIP;10nF,10%,50V,X7R,TP,1608	1	SA	
ZAR12	2007-000094	R-CHIP;22Kohm,5%,1/10W,TP,1608	1	SA		C16FR	2203-000257	C-CER,CHIP;10nF,10%,50V,X7R,TP,1608	1	SA	
ZAR19	2007-000074	R-CHIP;100ohm,5%,1/10W,TP,1608	1	SA		C16RL	2203-000257	C-CER,CHIP;10nF,10%,50V,X7R,TP,1608	1	SA	
ZAR2	2007-000102	R-CHIP;100Kohm,5%,1/10W,TP,1608	1	SA		C16SW	2203-000257	C-CER,CHIP;10nF,10%,50V,X7R,TP,1608	1	SA	
ZAR24	2007-000074	R-CHIP;100ohm,5%,1/10W,TP,1608	1	SA		C17C	2203-005249	C-CER,CHIP;100nF,10%,50V,X7R,1608	1	SA	
ZAR25	2007-000074	R-CHIP;100ohm,5%,1/10W,TP,1608	1	SA		C17FL	2203-005249	C-CER,CHIP;100nF,10%,50V,X7R,1608	1	SA	
ZAR28	2007-000074	R-CHIP;100ohm,5%,1/10W,TP,1608	1	SA		C17FR	2203-005249	C-CER,CHIP;100nF,10%,50V,X7R,1608	1	SA	
ZAR3	2007-000102	R-CHIP;100Kohm,5%,1/10W,TP,1608	1	SA		C17RL	2203-005249	C-CER,CHIP;100nF,10%,50V,X7R,1608	1	SA	
ZAR30	2007-000074	R-CHIP;100ohm,5%,1/10W,TP,1608	1	SA		C17SW	2203-005249	C-CER,CHIP;100nF,10%,50V,X7R,1608	1	SA	
ZAR31	2007-000074	R-CHIP;100ohm,5%,1/10W,TP,1608	1	SA		C18C	2203-001634	C-CER,CHIP;33nF,10%,50V,X7R,1608	1	SA	
ZAR32	2007-000074	R-CHIP;100ohm,5%,1/10W,TP,1608	1	SA		C18FL	2203-001634	C-CER,CHIP;33nF,10%,50V,X7R,1608	1	SA	
ZAR37	2007-000074	R-CHIP;100ohm,5%,1/10W,TP,1608	1	SA		C18FR	2203-005249	C-CER,CHIP;100nF,10%,50V,X7R,1608	1	SA	
ZAR38	2007-000074	R-CHIP;100ohm,5%,1/10W,TP,1608	1	SA		C18RL	2203-001634	C-CER,CHIP;33nF,10%,50V,X7R,1608	1	SA	
ZAR39	2007-000074	R-CHIP;100ohm,5%,1/10W,TP,1608	1	SA		C18SW	2203-001634	C-CER,CHIP;33nF,10%,50V,X7R,1608	1	SA	
ZAR4	2007-000094	R-CHIP;22Kohm,5%,1/10W,TP,1608	1	SA		C19C	2203-002793	C-CER,CHIP;1000nF,+80-20%,25V,Y5V,2	1	SA	
ZAR5	2007-000094	R-CHIP;22Kohm,5%,1/10W,TP,1608	1	SA		C19FL	2203-002793	C-CER,CHIP;1000nF,+80-20%,25V,Y5V,2	1	SA	
ZAR6	2007-000094	R-CHIP;22Kohm,5%,1/10W,TP,1608	1	SA		C19RL	2203-002793	C-CER,CHIP;1000nF,+80-20%,25V,Y5V,2	1	SA	
ZAR7	2007-000102	R-CHIP;100Kohm,5%,1/10W,TP,1608	1	SA		C19RR	2203-005249	C-CER,CHIP;100nF,10%,50V,X7R,1608	1	SA	
ZCR1	2007-000084	R-CHIP;4.7Kohm,5%,1/10W,TP,1608	1	SA		C19SW	2203-002793	C-CER,CHIP;1000nF,+80-20%,25V,Y5V,2	1	SA	
ZCV1	2203-000783	C-CER,CHIP;0.33nF,5%,50V,C0G,1608	1	SA		C1FR	2203-000236	C-CER,CHIP;0.1nF,5%,50V,C0G,1608	1	SA	
ZCV2	2203-000783	C-CER,CHIP;0.33nF,5%,50V,C0G,1608	1	SA		C1RL	2203-000236	C-CER,CHIP;0.1nF,5%,50V,C0G,1608	1	SA	
ZR5	2007-000102	R-CHIP;100Kohm,5%,1/10W,TP,1608	1	SA		C1SW	2203-000236	C-CER,CHIP;0.1nF,5%,50V,C0G,1608	1	SA	
ZR8	2007-000102	R-CHIP;100Kohm,5%,1/10W,TP,1608	1	SA		C2	2401-000303	C-AL;100uF,20%,25V,WT,TP,6.3x11mm,5	1	SA	
	AH99-10013S	ASSY PCB-MAIN ASSY;m;HT-Z310,ASSY P	1	SNA		C20C	2203-005249	C-CER,CHIP;100nF,10%,50V,X7R,1608	1	SA	
	<b>AH92-02790A ASSY PCB-AMP ASSY;HT-Z310,ASSY PCB-</b>	<b>1 SA</b>				C20FL	2203-005249	C-CER,CHIP;100nF,10%,50V,X7R,1608	1	SA	
AMP_PCB	AH41-01101A	PCB-AMP PCB;HT-Z310,EPOXY,2,0,1.6T,	0.5	SNA		C20RR	2203-005249	C-CER,CHIP;100nF,10%,50V,X7R,1608	1	SA	
C1	2203-005249	C-CER,CHIP;100nF,10%,50V,X7R,1608	1	SA		C21FR	2203-000787	C-CER,CHIP;0.33NF,5%,50V,C0G,TP,201	1	SA	
C10C	2305-000407	C-FILM,LEAD-PEF;470nF,5%,100V,TP,10	1	SA		C22FR	2203-000787	C-CER,CHIP;0.33NF,5%,50V,C0G,TP,201	1	SA	
C10FL	2305-000407	C-FILM,LEAD-PEF;470nF,5%,100V,TP,10	1	SA		C23	2203-005249	C-CER,CHIP;100nF,10%,50V,X7R,1608	1	SA	
C10RL	2305-000407	C-FILM,LEAD-PEF;470nF,5%,100V,TP,10	1	SA		C23RR	2203-000787	C-CER,CHIP;0.33NF,5%,50V,C0G,TP,201	1	SA	
C10RR	2203-001634	C-CER,CHIP;33nF,10%,50V,X7R,1608	1	SA		C23SW	2203-002793	C-CER,CHIP;1000nF,+80-20%,25V,Y5V,2	1	SA	
C10SW	2305-000407	C-FILM,LEAD-PEF;470nF,5%,100V,TP,10	1	SA		C24	2203-005249	C-CER,CHIP;100nF,10%,50V,X7R,1608	1	SA	
C11C	2203-005249	C-CER,CHIP;100nF,10%,50V,X7R,1608	1	SA		C24C	2401-002300	C-AL;47##F,20%,50V,GP,TP,6.3x11,5mm	1	SA	
C11FL	2203-005249	C-CER,CHIP;100nF,10%,50V,X7R,1608	1	SA		C24FL	2401-002300	C-AL;47##F,20%,50V,GP,TP,6.3x11,5mm	1	SA	
C11FR	2203-005249	C-CER,CHIP;100nF,10%,50V,X7R,1608	1	SA		C24RR	2203-000787	C-CER,CHIP;0.33NF,5%,50V,C0G,TP,201	1	SA	
C11RL	2203-005249	C-CER,CHIP;100nF,10%,50V,X7R,1608	1	SA		C25	2203-005249	C-CER,CHIP;100nF,10%,50V,X7R,1608	1	SA	
C11SW	2203-005249	C-CER,CHIP;100nF,10%,50V,X7R,1608	1	SA		C25FR	2203-000257	C-CER,CHIP;10nF,10%,50V,X7R,TP,1608	1	SA	
						C26	2203-005249	C-CER,CHIP;100nF,10%,50V,X7R,1608	1	SA	

Exploded View & Part List

Loc. No.	Part No.	Description;Specification	Q'ty	SNA	Remark	Loc. No.	Part No.	Description;Specification	Q'ty	SNA	Remark
C26FR	2203-005249	C-CER,CHIP;100nF,10%,50V,X7R,1608	1	SA		EMC20	2203-000257	C-CER,CHIP;10nF,10%,50V,X7R,TP,1608	1	SA	
C27RR	2203-000257	C-CER,CHIP;10nF,10%,50V,X7R,TP,1608	1	SA		EMC21	2203-005249	C-CER,CHIP;100nF,10%,50V,X7R,1608	1	SA	
C28RR	2203-005249	C-CER,CHIP;100nF,10%,50V,X7R,1608	1	SA		EMC22	2203-005249	C-CER,CHIP;100nF,10%,50V,X7R,1608	1	SA	
C29FR	2401-004106	C-AL,680uF,20%,50V,-,BK,12.5 x 35,5	1	SA		EMC5	2203-005249	C-CER,CHIP;100nF,10%,50V,X7R,1608	1	SA	
C2C	2203-002793	C-CER,CHIP;1000nF,+80-20%,25V,Y5V,2	1	SA		EMC6	2203-005249	C-CER,CHIP;100nF,10%,50V,X7R,1608	1	SA	
C2FL	2203-002793	C-CER,CHIP;1000nF,+80-20%,25V,Y5V,2	1	SA		EMC7	2203-005249	C-CER,CHIP;100nF,10%,50V,X7R,1608	1	SA	
C2FR	2203-002793	C-CER,CHIP;1000nF,+80-20%,25V,Y5V,2	1	SA		EMC8	2203-005249	C-CER,CHIP;100nF,10%,50V,X7R,1608	1	SA	
C2RL	2203-002793	C-CER,CHIP;1000nF,+80-20%,25V,Y5V,2	1	SA		EMC9	2203-005249	C-CER,CHIP;100nF,10%,50V,X7R,1608	1	SA	
C2SW	2203-002793	C-CER,CHIP;1000nF,+80-20%,25V,Y5V,2	1	SA		EMCC	2203-000257	C-CER,CHIP;10nF,10%,50V,X7R,TP,1608	1	SA	
C3	2203-005249	C-CER,CHIP;100nF,10%,50V,X7R,1608	1	SA		EMR3	2007-000694	R-CHIP;3.3ohm,5%,1/8W,TP,2012	1	SA	
C30RR	2401-004106	C-AL,680uF,20%,50V,-,BK,12.5 x 35,5	1	SA		EMR4	2007-000694	R-CHIP;3.3ohm,5%,1/8W,TP,2012	1	SA	
C31FR	2203-001634	C-CER,CHIP;33nF,10%,50V,X7R,1608	1	SA		EMR5	2007-000694	R-CHIP;3.3ohm,5%,1/8W,TP,2012	1	SA	
C31RR	2203-005249	C-CER,CHIP;100nF,10%,50V,X7R,1608	1	SA		EMR6	2007-000694	R-CHIP;3.3ohm,5%,1/8W,TP,2012	1	SA	
C32RR	2203-005249	C-CER,CHIP;100nF,10%,50V,X7R,1608	1	SA		FB1	3301-001069	BEAD-SMD;120ohm,1.6x0.8x0.8mm,200mA	1	SA	
C33RR	2203-000257	C-CER,CHIP;10nF,10%,50V,X7R,TP,1608	1	SA		FB2	3301-001069	BEAD-SMD;120ohm,1.6x0.8x0.8mm,200mA	1	SA	
C34RR	2203-000257	C-CER,CHIP;10nF,10%,50V,X7R,TP,1608	1	SA		FB3	3301-001069	BEAD-SMD;120ohm,1.6x0.8x0.8mm,200mA	1	SA	
C35FR	2305-000407	C-FILM,LEAD-PEF;470nF,5%,100V,TP,10	1	SA		FC2	2401-001975	C-AL;47uF,20%,16V,GP,TP,5x11mm,5mm	1	SA	
C37RR	2305-000407	C-FILM,LEAD-PEF;470nF,5%,100V,TP,10	1	SA		FC3	2401-001975	C-AL;47uF,20%,16V,GP,TP,5x11mm,5mm	1	SA	
C3C	2203-005249	C-CER,CHIP;100nF,10%,50V,X7R,1608	1	SA		FC4	2401-001975	C-AL;47uF,20%,16V,GP,TP,5x11mm,5mm	1	SA	
C3FL	2203-005249	C-CER,CHIP;100nF,10%,50V,X7R,1608	1	SA		FC5	2401-000651	C-AL;2.2uF,20%,50V,GP,TP,4x7,5	1	SA	
C4	2401-000303	C-AL;100uF,20%,25V,WT,TP,6.3x11mm,5	1	SA		FC6	2401-000651	C-AL;2.2uF,20%,50V,GP,TP,4x7,5	1	SA	
C40FR	2203-005249	C-CER,CHIP;100nF,10%,50V,X7R,1608	1	SA		FD1	0401-001090	DIODE-SWITCHING;1SS355,80V,100MA,SO	1	SA	
C41FR	2203-005249	C-CER,CHIP;100nF,10%,50V,X7R,1608	1	SA		FD2	0401-001090	DIODE-SWITCHING;1SS355,80V,100MA,SO	1	SA	
C42FR	2203-005249	C-CER,CHIP;100nF,10%,50V,X7R,1608	1	SA		FJ1	3711-000820	HEADER-BOARD TO CABLE;BOX,2P,1R,2,5	1	SA	
C43FR	2203-005249	C-CER,CHIP;100nF,10%,50V,X7R,1608	1	SA		FQ1	0501-000422	TR-SMALL SIGNAL;KTA1273,PNP,-30V,-3	1	SA	
C44FR	2203-005249	C-CER,CHIP;100nF,10%,50V,X7R,1608	1	SA		FQ2	0501-000341	TR-SMALL SIGNAL;KSC1623-L,NPN,200mW	1	SA	
C45FR	2203-005249	C-CER,CHIP;100nF,10%,50V,X7R,1608	1	SA		FQ3	0501-000422	TR-SMALL SIGNAL;KTA1273,PNP,-30V,-3	1	SA	
C4FR	2203-005249	C-CER,CHIP;100nF,10%,50V,X7R,1608	1	SA		FQ4	0504-000128	TR-DIGITAL;-NPN,200MW,22K/22K,SOT-	1	SA	
C4RL	2203-005249	C-CER,CHIP;100nF,10%,50V,X7R,1608	1	SA		FR1	2001-000022	R-CARBON(S);330HM,5%,1/2W,AA,TP,2,4	1	SA	
C4SW	2203-005249	C-CER,CHIP;100nF,10%,50V,X7R,1608	1	SA		FR10	2007-000097	R-CHIP;47Kohm,5%,1/10W,TP,1608	1	SA	
C5C	2203-001634	C-CER,CHIP;33nF,10%,50V,X7R,1608	1	SA		FR11	2007-000097	R-CHIP;47Kohm,5%,1/10W,TP,1608	1	SA	
C5FL	2203-001634	C-CER,CHIP;33nF,10%,50V,X7R,1608	1	SA		FR12	2001-000020	R-CARBON(S);220HM,5%,1/2W,AA,TP,2,4	1	SA	
C5RL	2203-001634	C-CER,CHIP;33nF,10%,50V,X7R,1608	1	SA		FR13	2007-000090	R-CHIP;10Kohm,5%,1/10W,TP,1608	1	SA	
C5RR	2203-005249	C-CER,CHIP;100nF,10%,50V,X7R,1608	1	SA		FR14	2007-000082	R-CHIP;3.3Kohm,5%,1/10W,TP,1608	1	SA	
C5SW	2203-001634	C-CER,CHIP;33nF,10%,50V,X7R,1608	1	SA		FR2	2007-000097	R-CHIP;47Kohm,5%,1/10W,TP,1608	1	SA	
C6RL	2203-005249	C-CER,CHIP;100nF,10%,50V,X7R,1608	1	SA		FR3	2001-001165	R-CARBON(S);560HM,5%,1/2W,AA,TP,2,4	1	SA	
C6RR	2203-002793	C-CER,CHIP;1000nF,+80-20%,25V,Y5V,2	1	SA		FR4	2007-000097	R-CHIP;47Kohm,5%,1/10W,TP,1608	1	SA	
C6SW	2203-005249	C-CER,CHIP;100nF,10%,50V,X7R,1608	1	SA		FR5	2007-000084	R-CHIP;4.7Kohm,5%,1/10W,TP,1608	1	SA	
C7C	2203-005249	C-CER,CHIP;100nF,10%,50V,X7R,1608	1	SA		FR6	2007-000090	R-CHIP;10Kohm,5%,1/10W,TP,1608	1	SA	
C7FL	2203-005249	C-CER,CHIP;100nF,10%,50V,X7R,1608	1	SA		FR7	2007-000134	R-CHIP;33Kohm,5%,1/10W,TP,1608	1	SA	
C7RL	2203-005249	C-CER,CHIP;100nF,10%,50V,X7R,1608	1	SA		FR8	2007-000097	R-CHIP;47Kohm,5%,1/10W,TP,1608	1	SA	
C7RR	2401-002300	C-AL;47#F,20%,50V,GP,TP,6.3x11,5mm	1	SA		FR9	2007-000097	R-CHIP;47Kohm,5%,1/10W,TP,1608	1	SA	
C7SW	2203-005249	C-CER,CHIP;100nF,10%,50V,X7R,1608	1	SA		H/S HOLDER AH61-02526A	HOLDER-IC;HT-Z210,ABS,T0,9,W150,-,-	1	SA		
C8C	2401-004106	C-AL,680uF,20%,50V,-,BK,12.5 x 35,5	1	SA		H/S AMP AH62-00183A	HEAT SINK-AMP;HT-Z210,AL SKIVE,T5,W	1	SA		
C8RL	2401-004106	C-AL,680uF,20%,50V,-,BK,12.5 x 35,5	1	SA		IC1CW	1201-002673	IC-AUDIO AMP,TAS5352DDV,HTSSOP,44P,	1	SA	
C8RR	2203-002793	C-CER,CHIP;1000nF,+80-20%,25V,Y5V,2	1	SA		IC1L	1201-002673	IC-AUDIO AMP,TAS5352DDV,HTSSOP,44P,	1	SA	
C8SW	2401-004106	C-AL,680uF,20%,50V,-,BK,12.5 x 35,5	1	SA		IC1R	1201-002673	IC-AUDIO AMP,TAS5352DDV,HTSSOP,44P,	1	SA	
C8YL	2401-004106	C-AL,680uF,20%,50V,-,BK,12.5 x 35,5	1	SA		J3	AH39-00946A	HARNESS CONNECT;HT-X250,9P-9B F/L/W	1	SA	
C9FR	2203-001634	C-CER,CHIP;33nF,10%,50V,X7R,1608	1	SA		J7	3708-001086	CONNECTOR-FPC/FFC/PIC;28P,1.25MM,ST	1	SA	
EL2	3301-001069	BEAD-SMD;120ohm,1.6x0.8x0.8mm,200mA	1	SA		L1C	2702-001130	INDUCTOR-RADIAL;10uH,10%,19x15.8mm	1	SA	
EL3	3301-001069	BEAD-SMD;120ohm,1.6x0.8x0.8mm,200mA	1	SA		L1FL	2702-001130	INDUCTOR-RADIAL;10uH,10%,19x15.8mm	1	SA	
EL4	3301-001069	BEAD-SMD;120ohm,1.6x0.8x0.8mm,200mA	1	SA		L1FR	2702-001130	INDUCTOR-RADIAL;10uH,10%,19x15.8mm	1	SA	
EMC10	2203-005249	C-CER,CHIP;100nF,10%,50V,X7R,1608	1	SA		L1RL	2702-001130	INDUCTOR-RADIAL;10uH,10%,19x15.8mm	1	SA	
EMC11	2203-005249	C-CER,CHIP;100nF,10%,50V,X7R,1608	1	SA		L1SW	2702-001130	INDUCTOR-RADIAL;10uH,10%,19x15.8mm	1	SA	
EMC12	2203-005249	C-CER,CHIP;100nF,10%,50V,X7R,1608	1	SA		L2C	2702-001130	INDUCTOR-RADIAL;10uH,10%,19x15.8mm	1	SA	
EMC13	2203-005249	C-CER,CHIP;100nF,10%,50V,X7R,1608	1	SA		L2FL	2702-001130	INDUCTOR-RADIAL;10uH,10%,19x15.8mm	1	SA	
EMC14	2203-005249	C-CER,CHIP;100nF,10%,50V,X7R,1608	1	SA		L2FR	2702-001130	INDUCTOR-RADIAL;10uH,10%,19x15.8mm	1	SA	
EMC17	2203-000257	C-CER,CHIP;10nF,10%,50V,X7R,TP,1608	1	SA		L2RL	2702-001130	INDUCTOR-RADIAL;10uH,10%,19x15.8mm	1	SA	
EMC19	2203-000257	C-CER,CHIP;10nF,10%,50V,X7R,TP,1608	1	SA							

Loc. No.	Part No.	Description;Specification	Q'ty	SNA	Remark	Loc. No.	Part No.	Description;Specification	Q'ty	SNA	Remark
L2SW	2702-001130	INDUCTOR-RADIAL;10uH,10%,19x15.8mm	1	SA		MR23	2007-000072	R-CHIP;47ohm,5%,1/10W,TP,1608	1	SA	
L3RR	2702-001130	INDUCTOR-RADIAL;10uH,10%,19x15.8mm	1	SA		MR24	2007-000072	R-CHIP;47ohm,5%,1/10W,TP,1608	1	SA	
L4RR	2702-001130	INDUCTOR-RADIAL;10uH,10%,19x15.8mm	1	SA		MR25	2007-000072	R-CHIP;47ohm,5%,1/10W,TP,1608	1	SA	
MC1	2401-000243	C-AL;100uF,20%,10V,GP,TP,6.3x5,5	1	SA		MR26	2007-000072	R-CHIP;47ohm,5%,1/10W,TP,1608	1	SA	
MC10	2203-005249	C-CER,CHIP;100nF,10%,50V,X7R,1608	1	SA		MR27	2007-000072	R-CHIP;47ohm,5%,1/10W,TP,1608	1	SA	
MC11	2203-005249	C-CER,CHIP;100nF,10%,50V,X7R,1608	1	SA		MR28	2007-000072	R-CHIP;47ohm,5%,1/10W,TP,1608	1	SA	
MC12	2203-005249	C-CER,CHIP;100nF,10%,50V,X7R,1608	1	SA		MR29	2007-000074	R-CHIP;100ohm,5%,1/10W,TP,1608	1	SA	
MC13	2203-005249	C-CER,CHIP;100nF,10%,50V,X7R,1608	1	SA		MR3	2007-000072	R-CHIP;47ohm,5%,1/10W,TP,1608	1	SA	
MC14	2203-005249	C-CER,CHIP;100nF,10%,50V,X7R,1608	1	SA		MR30	2007-000074	R-CHIP;100ohm,5%,1/10W,TP,1608	1	SA	
MC15	2203-005249	C-CER,CHIP;100nF,10%,50V,X7R,1608	1	SA		MR31	2007-000074	R-CHIP;100ohm,5%,1/10W,TP,1608	1	SA	
MC16	2401-001355	C-AL;470uF,20%,10V,GP,TP,8x11.5mm,5	1	SA		MR32	2007-000074	R-CHIP;100ohm,5%,1/10W,TP,1608	1	SA	
MC17	2401-001355	C-AL;470uF,20%,10V,GP,TP,8x11.5mm,5	1	SA		MR33	2007-000113	R-CHIP;33ohm,5%,1/10W,TP,1608	1	SA	
MC18	2203-005249	C-CER,CHIP;100nF,10%,50V,X7R,1608	1	SA		MR34	2007-000052	R-CHIP;10Kohm,1%,1/10W,TP,1608	1	SA	
MC19	2203-005249	C-CER,CHIP;100nF,10%,50V,X7R,1608	1	SA		MR35	2007-002425	R-CHIP;1ohm,5%,1/10W,TP,1608	1	SA	
MC2	2203-005249	C-CER,CHIP;100nF,10%,50V,X7R,1608	1	SA		MR36	2007-000109	R-CHIP;1Mohm,5%,1/10W,TP,1608	1	SA	
MC20	2203-005249	C-CER,CHIP;100nF,10%,50V,X7R,1608	1	SA		MR37	2007-000116	R-CHIP;120ohm,5%,1/10W,TP,1608	1	SA	
MC21	2203-005249	C-CER,CHIP;100nF,10%,50V,X7R,1608	1	SA		MR38	2007-000072	R-CHIP;47ohm,5%,1/10W,TP,1608	1	SA	
MC22	2203-005249	C-CER,CHIP;100nF,10%,50V,X7R,1608	1	SA		MR4	2007-000072	R-CHIP;47ohm,5%,1/10W,TP,1608	1	SA	
MC23	2203-005249	C-CER,CHIP;100nF,10%,50V,X7R,1608	1	SA		MR41	2007-000094	R-CHIP;22Kohm,5%,1/10W,TP,1608	1	SA	
MC24	2203-005249	C-CER,CHIP;100nF,10%,50V,X7R,1608	1	SA		MR5	2007-000072	R-CHIP;47ohm,5%,1/10W,TP,1608	1	SA	
MC25	2203-005249	C-CER,CHIP;100nF,10%,50V,X7R,1608	1	SA		MR6	2007-000072	R-CHIP;47ohm,5%,1/10W,TP,1608	1	SA	
MC26	2203-005249	C-CER,CHIP;100nF,10%,50V,X7R,1608	1	SA		MR7	2007-000052	R-CHIP;10Kohm,1%,1/10W,TP,1608	1	SA	
MC27	2203-005249	C-CER,CHIP;100nF,10%,50V,X7R,1608	1	SA		MR8	2007-000052	R-CHIP;10Kohm,1%,1/10W,TP,1608	1	SA	
MC28	2401-001355	C-AL;470uF,20%,10V,GP,TP,8x11.5mm,5	1	SA		MR9	2007-000052	R-CHIP;10Kohm,1%,1/10W,TP,1608	1	SA	
MC29	2203-005249	C-CER,CHIP;100nF,10%,50V,X7R,1608	1	SA		MX1	2801-004354	CRYSTAL-UNIT;12.288MHZ,30PPM,ATS-49	1	SA	
MC3	2203-005249	C-CER,CHIP;100nF,10%,50V,X7R,1608	1	SA		NC6	2401-001020	C-AL;3.3UF,20%,50V,GP,TP,4X7,5	1	SA	
MC30	2203-005249	C-CER,CHIP;100nF,10%,50V,X7R,1608	1	SA		NC7	2401-000048	C-AL;47uF,20%,25V,GP,TP,5x11,5	1	SA	
MC31	2401-000414	C-AL;10uF,20%,16V,GP,TP,4x7,5	1	SA		NC8	2401-001164	C-AL;33uF,20%,16V,GP,TP,5x11mm,5mm	1	SA	
MC32	2401-001355	C-AL;470uF,20%,10V,GP,TP,8x11.5mm,5	1	SA		ND3	0401-001090	DIODE-SWITCHING;1SS355,80V,100MA,SO	1	SA	
MC33	2401-002042	C-AL;220uF,20%,10V,GP,TP,6.3x11,5	1	SA		ND4	0401-001090	DIODE-SWITCHING;1SS355,80V,100MA,SO	1	SA	
MC34	2203-000626	C-CER,CHIP;0.022nF,5%,50V,COG,1608	1	SA		ND5	0401-001090	DIODE-SWITCHING;1SS355,80V,100MA,SO	1	SA	
MC35	2203-000626	C-CER,CHIP;0.022nF,5%,50V,COG,1608	1	SA		NIC1	1201-000163	IC-OP AMP;4560,SOP,8P,173MIL,DUAL,1	1	SA	
MC4	2401-000414	C-AL;10uF,20%,16V,GP,TP,4x7,5	1	SA		NQ3	0501-000010	TR-SMALL SIGNAL;KSC1008,NPN,800mW,T	1	SA	
MC5	2203-000189	C-CER,CHIP;100nF,+80-20%,25V,Y5V,16	1	SA		NR1	2007-000309	R-CHIP;10ohm,5%,1/10W,TP,1608	1	SA	
MC6	2401-000407	C-AL;10UF,20%,16V,GP,TP,3.5X5,2,5	1	SA		NR11	2007-000090	R-CHIP;10Kohm,5%,1/10W,TP,1608	1	SA	
MC7	2203-005249	C-CER,CHIP;100nF,10%,50V,X7R,1608	1	SA		NR12	2007-000097	R-CHIP;47Kohm,5%,1/10W,TP,1608	1	SA	
MC8	2203-005249	C-CER,CHIP;100nF,10%,50V,X7R,1608	1	SA		NR13	2007-000084	R-CHIP;4.7Kohm,5%,1/10W,TP,1608	1	SA	
MC9	2203-005249	C-CER,CHIP;100nF,10%,50V,X7R,1608	1	SA		NR14	2007-000074	R-CHIP;100ohm,5%,1/10W,TP,1608	1	SA	
MD4	0401-001090	DIODE-SWITCHING;1SS355,80V,100MA,SO	1	SA		NR15	2007-000103	R-CHIP;120Kohm,5%,1/10W,TP,1608	1	SA	
MIC1	1204-002627	IC-MODULATOR;PS9829B,LQFP,100P,14x1	1	SA		NR16	2007-000097	R-CHIP;47Kohm,5%,1/10W,TP,1608	1	SA	
MIC2	AH14-10004R	IC-CMOS LOGIC;74HCU04,-,SOP,14P,-,-	1	SA		NR17	2007-000084	R-CHIP;4.7Kohm,5%,1/10W,TP,1608	1	SA	
MR1	2007-000070	R-CHIP;0ohm,5%,1/10W,TP,1608	1	SA		NR18	2007-000097	R-CHIP;47Kohm,5%,1/10W,TP,1608	1	SA	
MR10	2007-000052	R-CHIP;10Kohm,1%,1/10W,TP,1608	1	SA		NR19	2007-000070	R-CHIP;0ohm,5%,1/10W,TP,1608	1	SA	
MR11	2007-000052	R-CHIP;10Kohm,1%,1/10W,TP,1608	1	SA		NR2	2007-000309	R-CHIP;10ohm,5%,1/10W,TP,1608	1	SA	
MR12	2007-000052	R-CHIP;10Kohm,1%,1/10W,TP,1608	1	SA		R101	2007-000070	R-CHIP;0ohm,5%,1/10W,TP,1608	1	SA	
MR13	2007-000072	R-CHIP;47ohm,5%,1/10W,TP,1608	1	SA		R102	2007-000070	R-CHIP;0ohm,5%,1/10W,TP,1608	1	SA	
MR14	2007-000072	R-CHIP;47ohm,5%,1/10W,TP,1608	1	SA		R10C	2007-000052	R-CHIP;10Kohm,1%,1/10W,TP,1608	1	SA	
MR142	2007-000072	R-CHIP;47ohm,5%,1/10W,TP,1608	1	SA		R10FL	2007-000052	R-CHIP;10Kohm,1%,1/10W,TP,1608	1	SA	
MR143	2007-000070	R-CHIP;0ohm,5%,1/10W,TP,1608	1	SA		R10FR	2007-000052	R-CHIP;10Kohm,1%,1/10W,TP,1608	1	SA	
MR15	2007-000072	R-CHIP;47ohm,5%,1/10W,TP,1608	1	SA		R10RL	2007-000052	R-CHIP;10Kohm,1%,1/10W,TP,1608	1	SA	
MR16	2007-000072	R-CHIP;47ohm,5%,1/10W,TP,1608	1	SA		R10SW	2007-000052	R-CHIP;10Kohm,1%,1/10W,TP,1608	1	SA	
MR17	2007-000072	R-CHIP;47ohm,5%,1/10W,TP,1608	1	SA		R11C	2007-002425	R-CHIP;1ohm,5%,1/10W,TP,1608	1	SA	
MR18	2007-000072	R-CHIP;47ohm,5%,1/10W,TP,1608	1	SA		R11CC	2007-000312	R-CHIP;10ohm,5%,1/4W,TP,3216	1	SA	
MR19	2007-000072	R-CHIP;47ohm,5%,1/10W,TP,1608	1	SA		R11FL	2007-002425	R-CHIP;1ohm,5%,1/10W,TP,1608	1	SA	
MR2	2007-000072	R-CHIP;47ohm,5%,1/10W,TP,1608	1	SA		R11FR	2007-002425	R-CHIP;1ohm,5%,1/10W,TP,1608	1	SA	
MR20	2007-000072	R-CHIP;47ohm,5%,1/10W,TP,1608	1	SA		R11RL	2007-002425	R-CHIP;1ohm,5%,1/10W,TP,1608	1	SA	
MR21	2007-000072	R-CHIP;47ohm,5%,1/10W,TP,1608	1	SA		R11SW	2007-002425	R-CHIP;1ohm,5%,1/10W,TP,1608	1	SA	
MR22	2007-000072	R-CHIP;47ohm,5%,1/10W,TP,1608	1	SA		R12C	2007-000052	R-CHIP;10Kohm,1%,1/10W,TP,1608	1	SA	
						R12FL	2007-000052	R-CHIP;10Kohm,1%,1/10W,TP,1608	1	SA	

Exploded View & Part List

Loc. No.	Part No.	Description;Specification	Q'ty	SNA	Remark	Loc. No.	Part No.	Description;Specification	Q'ty	SNA	Remark
R12FR	2007-000052	R-CHIP;10Kohm,1%,1/10W,TP,1608	1	SA		R9RL	2007-000462	R-CHIP;18ohm,5%,1/8W,TP,2012	1	SA	
R12RL	2007-000052	R-CHIP;10Kohm,1%,1/10W,TP,1608	1	SA		R9RR	2007-000312	R-CHIP;10ohm,5%,1/4W,TP,3216	1	SA	
R12SW	2007-000052	R-CHIP;10Kohm,1%,1/10W,TP,1608	1	SA		R9SW	2007-000462	R-CHIP;18ohm,5%,1/8W,TP,2012	1	SA	
R13C	2007-002425	R-CHIP;1ohm,5%,1/10W,TP,1608	1	SA		RESQ1	1203-003526	IC-VOL. DETECTOR;KIA7029AP,TO-92,3P	1	SA	
R13FL	2007-002425	R-CHIP;1ohm,5%,1/10W,TP,1608	1	SA		SC1L	2203-000236	C-CER,CHIP;0.1nF,5%,50V,COG,1608	1	SA	
R13FR	2007-002425	R-CHIP;1ohm,5%,1/10W,TP,1608	1	SA		SC1R	2203-000236	C-CER,CHIP;0.1nF,5%,50V,COG,1608	1	SA	
R13RL	2007-002425	R-CHIP;1ohm,5%,1/10W,TP,1608	1	SA		SC2L	2203-000236	C-CER,CHIP;0.1nF,5%,50V,COG,1608	1	SA	
R13SW	2007-002425	R-CHIP;1ohm,5%,1/10W,TP,1608	1	SA		SC2R	2203-000236	C-CER,CHIP;0.1nF,5%,50V,COG,1608	1	SA	
R14FR	2007-000462	R-CHIP;18ohm,5%,1/8W,TP,2012	1	SA		SC3L	2203-000236	C-CER,CHIP;0.1nF,5%,50V,COG,1608	1	SA	
R150	2007-000941	R-CHIP;47Kohm,5%,1/8W,TP,2012	1	SA		SC3R	2203-000236	C-CER,CHIP;0.1nF,5%,50V,COG,1608	1	SA	
R15FR	2007-000462	R-CHIP;18ohm,5%,1/8W,TP,2012	1	SA		SC6L	2203-000998	C-CER,CHIP;0.047nF,5%,50V,COG,1608	1	SA	
R16RR	2007-000462	R-CHIP;18ohm,5%,1/8W,TP,2012	1	SA		SC6R	2203-000998	C-CER,CHIP;0.047nF,5%,50V,COG,1608	1	SA	
R17RR	2007-000462	R-CHIP;18ohm,5%,1/8W,TP,2012	1	SA		SC7L	2203-000998	C-CER,CHIP;0.047nF,5%,50V,COG,1608	1	SA	
R18RR	2007-000052	R-CHIP;10Kohm,1%,1/10W,TP,1608	1	SA		SC7R	2203-000998	C-CER,CHIP;0.047nF,5%,50V,COG,1608	1	SA	
R19RR	2007-000052	R-CHIP;10Kohm,1%,1/10W,TP,1608	1	SA		SC8L	2401-000042	C-AL;100uF,20%,16V,GP,TP,6.3x7.5	1	SA	
R1FR	2007-000070	R-CHIP;0ohm,5%,1/10W,TP,1608	1	SA		SC8R	2401-000042	C-AL;100uF,20%,16V,GP,TP,6.3x7.5	1	SA	
R1RL	2007-000070	R-CHIP;0ohm,5%,1/10W,TP,1608	1	SA		SC9L	2203-000236	C-CER,CHIP;0.1nF,5%,50V,COG,1608	1	SA	
R1SW	2007-000070	R-CHIP;0ohm,5%,1/10W,TP,1608	1	SA		SC9R	2203-000236	C-CER,CHIP;0.1nF,5%,50V,COG,1608	1	SA	
R20RR	2007-002425	R-CHIP;1ohm,5%,1/10W,TP,1608	1	SA		SCREW	6003-000276	SCREW-TAPTITE;BH,+,-,B,M3,L10,ZPC(W)	4	SNA	
R21RR	2007-002425	R-CHIP;1ohm,5%,1/10W,TP,1608	1	SA		SDR1	2007-000070	R-CHIP;0ohm,5%,1/10W,TP,1608	1	SA	
R22FR	2007-000312	R-CHIP;10ohm,5%,1/4W,TP,3216	1	SA		SIC1	1201-000163	IC-OP AMP;4560,SOP,8P,173MIL,DUAL,1	1	SA	
R24FR	2007-000070	R-CHIP;0ohm,5%,1/10W,TP,1608	1	SA		SL1L	2703-000404	INDUCTOR-SMD;220uH,10%,3225	1	SA	
R2C	2007-000312	R-CHIP;10ohm,5%,1/4W,TP,3216	1	SA		SL1R	2703-000404	INDUCTOR-SMD;220uH,10%,3225	1	SA	
R2FL	2007-000312	R-CHIP;10ohm,5%,1/4W,TP,3216	1	SA		SPK1	3716-001243	TERMINAL-BLOCK;-12P,14mm,-,-	1	SA	
R2FR	2007-000312	R-CHIP;10ohm,5%,1/4W,TP,3216	1	SA		SR1	2007-000074	R-CHIP;100ohm,5%,1/10W,TP,1608	1	SA	
R2RL	2007-000312	R-CHIP;10ohm,5%,1/4W,TP,3216	1	SA		SR10L	2007-000113	R-CHIP;33ohm,5%,1/10W,TP,1608	1	SA	
R2SW	2007-000312	R-CHIP;10ohm,5%,1/4W,TP,3216	1	SA		SR10R	2007-000052	R-CHIP;10Kohm,1%,1/10W,TP,1608	1	SA	
R32FR	2007-000694	R-CHIP;3.3ohm,5%,1/8W,TP,2012	1	SA		SR2	2007-000074	R-CHIP;100ohm,5%,1/10W,TP,1608	1	SA	
R33RR	2007-000694	R-CHIP;3.3ohm,5%,1/8W,TP,2012	1	SA		SR2L	2007-000094	R-CHIP;22Kohm,5%,1/10W,TP,1608	1	SA	
R3C	2007-000312	R-CHIP;10ohm,5%,1/4W,TP,3216	1	SA		SR2R	2007-000094	R-CHIP;22Kohm,5%,1/10W,TP,1608	1	SA	
R3FL	2007-000312	R-CHIP;10ohm,5%,1/4W,TP,3216	1	SA		SR4L	2007-000094	R-CHIP;22Kohm,5%,1/10W,TP,1608	1	SA	
R3FR	2007-000094	R-CHIP;22Kohm,5%,1/10W,TP,1608	1	SA		SR4R	2007-000094	R-CHIP;22Kohm,5%,1/10W,TP,1608	1	SA	
R3RL	2007-000094	R-CHIP;22Kohm,5%,1/10W,TP,1608	1	SA		SR5L	2007-000052	R-CHIP;10Kohm,1%,1/10W,TP,1608	1	SA	
R3SW	2007-000094	R-CHIP;22Kohm,5%,1/10W,TP,1608	1	SA		SR5R	2007-000052	R-CHIP;10Kohm,1%,1/10W,TP,1608	1	SA	
R46	2007-000253	R-CHIP;1.5ohm,5%,1/4W,TP,3216	1	SA		SR6L	2007-000052	R-CHIP;10Kohm,1%,1/10W,TP,1608	1	SA	
R4C	2007-000090	R-CHIP;10Kohm,5%,1/10W,TP,1608	1	SA		SR6R	2007-000052	R-CHIP;10Kohm,1%,1/10W,TP,1608	1	SA	
R4FL	2007-000090	R-CHIP;10Kohm,5%,1/10W,TP,1608	1	SA		SR7L	2007-000097	R-CHIP;47Kohm,5%,1/10W,TP,1608	1	SA	
R4RL	2007-000090	R-CHIP;10Kohm,5%,1/10W,TP,1608	1	SA		SR7R	2007-000097	R-CHIP;47Kohm,5%,1/10W,TP,1608	1	SA	
R4RR	2007-000090	R-CHIP;10Kohm,5%,1/10W,TP,1608	1	SA		SR8L	2007-000097	R-CHIP;47Kohm,5%,1/10W,TP,1608	1	SA	
R4SW	2007-000090	R-CHIP;10Kohm,5%,1/10W,TP,1608	1	SA		SR8R	2007-000097	R-CHIP;47Kohm,5%,1/10W,TP,1608	1	SA	
R5C	2007-000070	R-CHIP;0ohm,5%,1/10W,TP,1608	1	SA		SR9L	2007-000052	R-CHIP;10Kohm,1%,1/10W,TP,1608	1	SA	
R5FL	2007-000070	R-CHIP;0ohm,5%,1/10W,TP,1608	1	SA		SR9R	2007-000113	R-CHIP;33ohm,5%,1/10W,TP,1608	1	SA	
R5FR	2007-000070	R-CHIP;0ohm,5%,1/10W,TP,1608	1	SA		AH99-10011S	ASSY PCB-AMP ASSY,m;HT-Z310,ASSY PC	1	SNA		
R5RL	2007-000070	R-CHIP;0ohm,5%,1/10W,TP,1608	1	SA		AH97-02581B	ASSY MACHINERY-ACCESSORY;EDC,HT-Z21	1	SNA		
R5SW	2007-000070	R-CHIP;0ohm,5%,1/10W,TP,1608	1	SA		4301-000116	BATTERY-ALKALINE;9V,-,-,17.5x26.5x4	2	SA		
R6C	2007-000312	R-CHIP;10ohm,5%,1/4W,TP,3216	1	SA		6902-000385	BAG PE;LDPE,TO.03,W250,L350,TRP,8,1	3	SNA		
R6FL	2007-000312	R-CHIP;10ohm,5%,1/4W,TP,3216	1	SA		AH39-40001V	CABLE-AUDIO CABLE;-,-,1P-1P,3000mm,	1	SA		
R6FR	2007-000090	R-CHIP;10Kohm,5%,1/10W,TP,1608	1	SA		AH42-00021A	ANT FM T;T18011F-1,75 ohm,1800mm	1	SA		
R6RL	2007-000312	R-CHIP;10ohm,5%,1/4W,TP,3216	1	SA		AH68-00650C	MARK RECYCLE-WARRANTY-CARD;YP-K3,XE	1	SNA		
R6SW	2007-000312	R-CHIP;10ohm,5%,1/4W,TP,3216	1	SA		AH68-02055F	MANUAL USERS;HT-Z310,EDC,GB/FR/DE/I	1	SA		
R7RR	2007-000070	R-CHIP;0ohm,5%,1/10W,TP,1608	1	SA		AH68-02055G	MANUAL USERS;HT-Z310,EDC,PL/HU/SK/C	1	SA		
R8C	2007-000462	R-CHIP;18ohm,5%,1/8W,TP,2012	1	SA		AH68-02055H	MANUAL USERS;HT-Z310,EDC,GR/RO/BG/C	1	SA		
R8FL	2007-000462	R-CHIP;18ohm,5%,1/8W,TP,2012	1	SA		AH68-50254B	LABEL-SERIAL;ART PAPER,TO.1,L10,W45	1.05	SNA		
R8RL	2007-000462	R-CHIP;18ohm,5%,1/8W,TP,2012	1	SA		AH81-02286C	A/S-EYEGLASS CLOTH;HT-TXQ120,POLY-B	1	SNA		
R8RR	2007-000312	R-CHIP;10ohm,5%,1/4W,TP,3216	1	SA		AH97-02586R	ASSY MACHINERY-MAIN OTHER;EDC,HT-TZ	1	SNA		
R8SW	2007-000462	R-CHIP;18ohm,5%,1/8W,TP,2012	1	SA							
R9C	2007-000462	R-CHIP;18ohm,5%,1/8W,TP,2012	1	SA							
R9FL	2007-000462	R-CHIP;18ohm,5%,1/8W,TP,2012	1	SA							





Exploded View & Part List

Loc. No.	Part No.	Description;Specification	Q'ty	SNA	Remark	Loc. No.	Part No.	Description;Specification	Q'ty	SNA	Remark
C14	2203-006427	C-CER,CHIP;4700nF,10%,16V,X5R,-,201	1		SA						
C16	2203-005148	C-CER,CHIP;100nF,10%,16V,X7R,TP,160	1		SA						
C17	2203-005148	C-CER,CHIP;100nF,10%,16V,X7R,TP,160	1		SA						
C18	2203-000257	C-CER,CHIP;10nF,10%,50V,X7R,TP,1608	1		SA						
C19	2203-000332	C-CER,CHIP;0.012nF,5%,50V,C0G,1608	1		SA						
C2	2203-006324	C-CER,CHIP;2200nF,10%,10V,X5R,1608	1		SA						
C21	2203-005148	C-CER,CHIP;100nF,10%,16V,X7R,TP,160	1		SA						
C22	2203-000384	C-CER,CHIP;0.015nF,5%,50V,C0G,1608	1		SA						
C23	2203-006427	C-CER,CHIP;4700nF,10%,16V,X5R,-,201	1		SA						
C4	2203-001083	C-CER,CHIP;0.0050nF,0.1pF,50V,NP0,1	1		SA						
C5	2203-001083	C-CER,CHIP;0.0050nF,0.1pF,50V,NP0,1	1		SA						
C6	2203-006427	C-CER,CHIP;4700nF,10%,16V,X5R,-,201	1		SA						
C7	2203-006324	C-CER,CHIP;2200nF,10%,10V,X5R,1608	1		SA						
C8	2203-005148	C-CER,CHIP;100nF,10%,16V,X7R,TP,160	1		SA						
C9	2203-000257	C-CER,CHIP;10nF,10%,50V,X7R,TP,1608	1		SA						
CON1	3708-001925	CONNECTOR-FPC/FFC/PIC;7P,1MM,SMD-S,	1		SA						
IC1	4709-001606	BLUETOOTH MODULE;BTEM39B2SB,2400-24	1		SA						
IC2	1203-002776	IC-POSI.FIXED REG.;G914D/MIC5255,SO	1		SA						
IC3	1203-002776	IC-POSI.FIXED REG.;G914D/MIC5255,SO	1		SA						
IC4	0801-000305	IC-CMOS LOGIC;7SU04,INVERTER,SOP,5P	1		SA						
L1	2007-000070	R-CHIP;0ohm,5%,1/10W,TP,1608	1		SA						
L2	2703-001167	INDUCTOR-SMD;8.2nH,5%,1608	1		SA						
R1	2007-000102	R-CHIP;100Kohm,5%,1/10W,TP,1608	1		SA						
R2	2007-000077	R-CHIP;470ohm,5%,1/10W,TP,1608	1		SA						
R3	2007-000120	R-CHIP;680ohm,5%,1/10W,TP,1608	1		SA						
R4	2007-000090	R-CHIP;10Kohm,5%,1/10W,TP,1608	1		SA						
R5	2007-001026	R-CHIP;560Kohm,5%,1/10W,TP,1608	1		SA						
R6	2007-000074	R-CHIP;100ohm,5%,1/10W,TP,1608	1		SA						
R7	2007-000074	R-CHIP;100ohm,5%,1/10W,TP,1608	1		SA						
R8	2007-000074	R-CHIP;100ohm,5%,1/10W,TP,1608	1		SA						
R9	2007-000305	R-CHIP;10Mohm,5%,1/10W,TP,1608	1		SA						
X-TAL1	2801-003856	CRYSTAL-SMD;0.032768MHz,20ppm,28-AC	1		SA						
	AH99-10011X	ASSY PCB-BLUETOOTH,m;HT-Z310,BLUETO	1		SNA						
	AH59-01907C	REMOCON-ASSY;HT-Z210/EUR,SAMSUNG,23	1		SA						
	AH59-01924C	SPEAKER SYSTEM;PS-TZ315,SPEAKER SYS	1		SA						
	AH69-02160Q	MASTER CARTON;HT-Z310/KOR,PPR-OTH,T	1.03		SA						