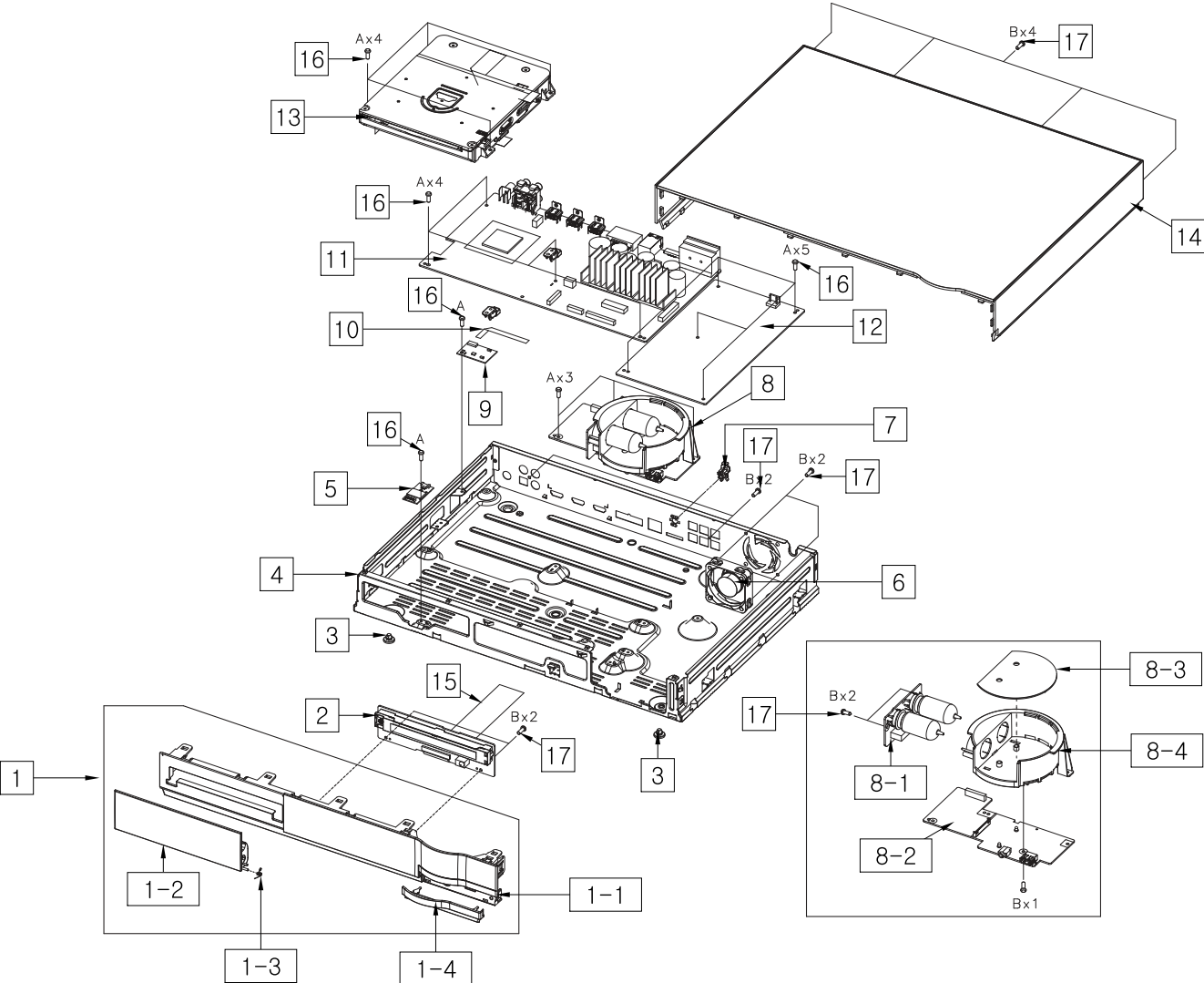


# 1. HT-E6750W/EN (MF01)

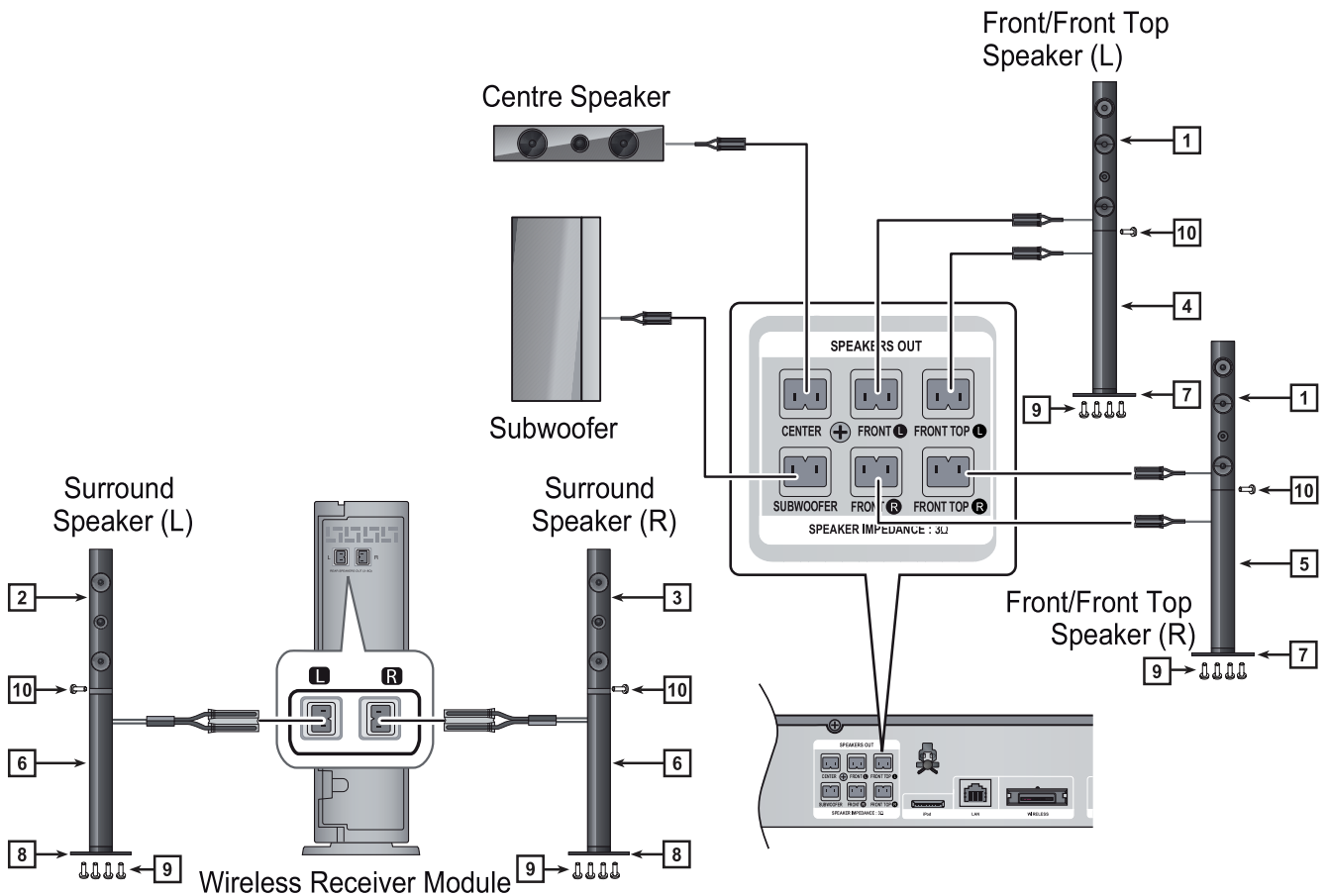
## Exploded View



**Parts List**

No.	Parent	Lvl.	Loc.	Material Code	Description & Specification	SNA	Qty.
1	AH90-00935A	2	F001A	AH96-01640A	ASSY COVER P-FRONT; HT-E6500,ZA,PC,V0,BLA	SA	1
1-1	AH96-01640A	3	F001	AH63-02607A	COVER-FRONT; HT-E6500,ABS+PMMA,2.2,BLACK	SNA	1
1-2	AH96-01640A	3	AC227	AH63-02608A	COVER-DOOR; HT-E6500,ABS+PMMA	SA	1
1-3	AH96-01640A	3	C011	AK61-00137A	SPRING ETC-DOOR; DVD-R4000,COIL,PI0.45,DV	SA	1
1-4	AH96-01640A	3	FD12	AH63-02609A	COVER-USB; HT-E6500,ABS+PMMA	SA	1
2	AH91-00451K	2		AH94-02872A	ASSY PCB FRONT-PBA; HT-E6XXX,ALL	SA	1
3	AH96-01641G	4	C1023	AK61-00608A	LEG; DVD-VR330,RUBBER,BLK,12	SNA	2
4	AH96-01641G	4	RB01	AH63-02614A	COVER-BOTTOM; HT-E6730W,EGI-SECC,T0.6	SNA	1
5	AH91-00488B	2		AH96-01622A	ASSY BOARD P-RF-MODULE; Bluetooth Module,	SA	1
6	AH96-01936E	3	EF01	3103-001282	FAN-DC; 12 VDC,2200rpm,0.147m^3/mi,0.921m	SA	1
7	AH96-01641G	4	CLAMPE	AK65-00001A	CLAMPER CORE-CORD POWER; EXINO,ABS,BLK	SNA	1
8	AH90-00957A	2		AH96-01946A	ASSY COVER P-VT- KITTING (VT-USB); HT-E67	SA	1
8-1	AH96-01946A	3		AH94-02873A	ASSY PCB AMP-VT PBA; E6XXX,ALL	SA	1
8-2	AH96-01946A	3		AH94-02950A	ASSY PCB JACK-USB PBA; HT-E6XXX,ALL,2	SA	1
8-3	AH96-01956A	4		AH64-05546A	DECORATION-VT; HT-E6500,ABS,BLACK	SNA	1
8-4	AH96-01956A	4		AH61-03367A	HOLDER-VT; HT-E6500,ABS,BLACK	SNA	1
9	AH91-00488B	2		AK59-00138A	NETWORK-WLAN MODULE; DNUB-S234B,BCM43234B	SA	1
10	AH91-00488B	2	FL06	AH96-01477G	ASSY CABLE P; HT-E5500,FFC,110mm,5P,1mm P	SA	1
11	AH91-00451K	2	M0014	AH94-02871C	ASSY PCB MAIN-MAIN+AMP; HT-E6750W,BD HOME	SA	1
12	AH91-00451K	2	P001A	AH94-02862A	ASSY PCB SMPS-PBA; HT-E6XXX,1	SA	1
13	AH90-00913C	2	DECK	AH96-01628C	ASSY DECK P-HTS PLAYER; BD-P8,Outsourcing	SA	1
14	AH91-00488B	2	T001A	AH96-01642B	ASSY COVER P-TOP; HT-E6530/ZC,HT-E6500,PC	SA	1
15	AH91-00488B	2	FL06	AH96-01673A	ASSY CABLE P-FFC; HT-E6730W,FFC,190mm,15P	SA	1
16	AH91-00488B	2	M0081	6003-001375	SCREW-TAPTYPE; BH,+,-,B,M3,L8,ZPC(WHT),SW	SA	18
17	AH82-00317B	5	W391	6003-000275	SCREW-TAPTYPE; BH,+,-,B,M3,L10,ZPC(BLK),SWR	SA	13

## 2. Speaker System



### Parts List

Loc. No.	Part No.	Description;Specification	Qty.	SNA
Subwoofer	AH96-01632A	ASSY SPEAKER P-SUBWOOFER-EW4; 3ohm,HT-E6730W,EW4-1,Subwoofer	1	SA
1	AH82-00358A	A/S ASSY-PS-ET4 FRONT SPEAKER; AV SPK, FOR ET4,Front L/R	2	SA
2	AH82-00485C	A/S ASSY-PS-ET3-2 SURROUND LEFT; AV SPK, FOR ET3-2,Half Tall Grille,Rear Left	1	SA
3	AH82-00485D	A/S ASSY-PS-ET3-2 SURROUND RIGHT; AV SPK, FOR ET3-2,Half Tall Grille,Rear Right	1	SA
4	AH82-00503A	A/S ASSY-STAND BTM ET4 LEFT; AV SPK, FOR ET4,Left,SEDA,CKD	1	SA
5	AH82-00503B	A/S ASSY-STAND BTM ET4 RIGHT; AV SPK, FOR ET4,Right,SEDA,CKD	1	SA
6	AH82-00504A	A/S ASSY-STAND BTM; AV SPK, FOR ET3,Common,SEDA,CKD	2	SA
7	AH82-00362A	A/S ASSY-STAND/CENTER; AV SPK, FOR E56730,Stand/Center	2	SA
8	AH82-00361A	A/S ASSY-STAND/CENTER; AV SPK, FOR ET3,Stand/Center	2	SA

Exploded Views and Parts List

Loc. No.	Part No.	Description;Specification	Qty.	SNA
9	AH81-05992A	SCREW-M5X15 MACHINE; AV SPK,M5X15mm,MACHINE TYPE,FOR TALLBOY	4	SA
10	6011-004790	BOLT-ETC; 12,20mm,Black,SPCC,12 pai + washer type	12	SA
Center Speaker	AH82-00316B	A/S ASSY-PS-EC2-2 CENTER SPEAKER; AV SPK,FOR HT-E6730,Center,EC2-2	1	SA
Speaker Wire	AH82-00332F	A/S ASSY-SPEAKER CABLE; AV SPK,Speaker Cable,ET4	1	SA

### 3. Electrical Parts List

Level	Loc.	Part Code	Description & Specification	Qty.	SA/SNA
			<b>HT-E6750W/EN (MF01)</b>		
1		AH90-00913C	ASSY DECK-HTS PLAYER;BD-P8,Outsourcing,I	1	SNA
..2	DECK	AH96-01628C	ASSY DECK P-HTS PLAYER;BD-P8,Outsourcing	1	SA
..3	W012	6002-001086	SCREW-TAPPING;PH,+,B,M1.7,L5.0,ZPC(WHT),	1	SA
..3	SCREW	6003-001795	SCREW-TAPTYPE;PWH,B,M2,L6,ZPC(WHT),SWCH1	4	SNA
..3		AH96-01664B	ASSY DECK P-TRAVERSE;BD-P8	1	SNA
..4	W377	6001-001291	SCREW-MACHINE;CH,+,M1.7,L4,ZPC(BLK),SWRC	2	SNA
..4	W385	6003-000109	SCREW-TAPTYPE;BH,+,B,M2.6,L8,ZPC(BLK),SW	1	SA
..4	SNA	AK31-00058A	MOTOR STEP-FEED;BD-P8	1	SNA
..4		AK31-00059A	MOTOR BLDC-SPINDLE;6000,BD-P8,6000	1	SNA
..4	SNA	AK61-01253A	BRACKET-DECK;BD-P8,ABS	1	SNA
..4	S.N.A	AK66-00050A	SHAFT-PU L98;BD-P,SUS420J2,L98,OD3,NTR,M	1	SNA
..4		AK73-00092A	RUBBER-DAMPER;BD-P7,BUTYL	4	SNA
..3		AH96-01665B	ASSY DECK P-HOUSING;BD-P8	1	SNA
..4	W011	6001-001370	SCREW-MACHINE;CH,+,M1.7,L3,ZPC(YEL),SWRC	1	SA
..4	S0F0122	6003-001444	SCREW-TAPTYPE;BH,+,B,M2,L4,ZPC(BLK)	1	SNA
..4	BTR01	6602-001076	BELT-RECTANGULAR;CR,T1.2,4.3%,1.2X25.1,B	1	SNA
..4	SNA	AK31-00043B	MOTOR DC-LOADING;JQ24-35H440,5000,0.392,	1	SNA
..4	CF02	AK61-01246A	FRAME-MAIN;BD-P8,ABS	1	SNA
..4	DS02	AK61-01247A	SLIDER-CAM;BD-P8,POM	1	SNA
..4	FT01	AK63-00873A	TRAY-DISC;BD-P8,ABS	1	SNA
..4	CC03	AK64-02550A	CHASSIS-SUB;BD-P8,ABS	1	SNA
..4	SNA	AK66-00167A	PULLEY-MOTOR;BD-P6,POM K700,BLK	1	SNA
..4	DG06	AK66-00254A	GEAR-PULLEY;BD-P8,POM,NTR	1	SNA
..4	DG08	AK66-00255A	GEAR-TRAY;BD-P8,POM,NTR	1	SNA
..4		AK68-02240A	LABEL CAUTION-WARNING;BD-P8,ART PAPER,0.	1	SNA
..4		AK90-00205A	ASSY MISC-CLAMPER;BD-P8,DYCPN	1	SNA
....5		AK61-01245A	MAGNET-CLAMPER;BD-P8,SPCC	1	SNA
....5		AK62-00049A	YOKE-CLAMPER;BD-P8,SPCC	1	SNA
....5		AK65-00003A	CLAMPER HOSE;BD-P8,ABS,WHIT	1	SNA
..4		AK96-01821A	ASSY PCB P-DECK;BD-P8	1	SNA
....5		3409-001723	SWITCH-LEVER;30,200,5,36deg	1	SNA
....5	CN3	3708-001878	CONNECTOR-FPC/FFC/PIC;6P,1mm,SMD-A,SnPb,	1	SA
....5		AK41-01103A	PCB-MOTOR;BD-P8,PHENOL,1mm,1	1	SNA
..3		AK96-01841A	ASSY PICK UP P;SOH-BP8	1	SNA
..4	S.N.A	0201-000169	ADHESIVE-CYA;ARCN-A501F,NTR	0	SNA
..4	S.N.A	0201-001081	ADHESIVE-AA;1401C,RED,-,BOND-LOCK SCREW	0	SNA
..4	S.N.A	0201-001525	ADHESIVE-UV;8840L,YEL,TRANS,23000,DISCMA	0	SNA

Exploded Views and Parts List

Level	Loc.	Part Code	Description & Specification	Qty.	SA/SNA
...4	S.N.A	0201-001819	ADHESIVE-UV;8833M,YELLOW,21000mPas,89%(H	0	SNA
...4		0201-002088	ADHESIVE-UV;IM127S,YEL,13000mPa.s,1mmt,	0	SNA
...4		0202-001618	SOLDER-WIRE FLUX;LFA3-107,D0.5,96.5Sn/3.	0	SNA
...4		AK63-00874A	COVER-ACT;SOH-BP8,STAINLESS-ST304,0.2T,	1	SNA
...4		AK67-00050A	LENS-OL DVD CD;SOH-BP1,PLASTIC,NTR,PI3.8	1	SNA
...4		AK67-00099A	LENS-BD OL;VS3504/VDP10V4,Plastic,NTR,Pi	1	SNA
...4		AK68-01760A	LABEL-STICKER;SOH-BP5,0.1,10,15,WHITE	1	SNA
...4		AK96-01827A	ASSY PICK UP P-ACT;SOH-BP8	1	SNA
....5	S.N.A	0201-001081	ADHESIVE-AA;1401C,RED,-,BOND-LOCK SCREW	0	SNA
....5	S.N.A	0201-001230	ADHESIVE-CYA;LOCTITE 480,BLK,300,-	0	SNA
....5	S.N.A	0201-001537	ADHESIVE-UV;SDM-378,WHT,11000mPas,-	0	SNA
....5	S.N.A	0201-001793	ADHESIVE-UV;8791L3,WHITE,20000mPa.s	0	SNA
....5		3302-001884	MAGNET-RARE EARTH;48MGOe,9x6.1x1.4mm	2	SNA
....5	S.N.A	3812-001419	WIRE-NO SHEATH CU;SCW,0V,18.5mm,1/0.11mm	4	SNA
....5	WA001	3812-001456	WIRE-NO SHEATH CU;SCM,18.5,YELLOW	2	SNA
....5	W377	6001-001291	SCREW-MACHINE;CH,+,M1.7,L4,ZPC(BLK),SWRC	2	SNA
....5	M0114	AK61-00969A	HOLDER-WIRE;SOH-BP6,PPS,13.8,8.65,BLACK	1	SNA
....5	SNA	AK62-00050A	YOKE-ACT;SOH-BP8,SPCC,1.2t,16.8,29.0,whi	1	SNA
....5		AK96-01184A	ASSY PICK UP P-BLADE;SOH-BP6	1	SNA
....6	SNA	AK66-00163A	BLADE-ACT;SOH-BP6,E5006L,BEIGE	2	SNA
...4		AK96-01844A	ASSY PICK UP P-OPT;SOH-BP8	1	SNA
....5	S.N.A	0201-001525	ADHESIVE-UV;8840L,YEL,TRANS,23000,DISCMA	0	SNA
....5	S.N.A	0201-001819	ADHESIVE-UV;8833M,YELLOW,21000mPas,89%(H	0	SNA
....5		0201-002088	ADHESIVE-UV;IM127S,YEL,13000mPa.s,1mmt,	0	SNA
....5		0202-001618	SOLDER-WIRE FLUX;LFA3-107,D0.5,96.5Sn/3.	1	SNA
....5		0205-001226	GREASE;FLOIL KG-513,WHT,1KG	1	SNA
....5		0602-001182	DIODE-LASER;6mW,2V,655nm,TP	1	SNA
....5		0602-001205	DIODE-LASER;25mW,2V,405nm	1	SNA
....5	W376	6001-000805	SCREW-MACHINE;CH,+,-,M1.7,L3,NI PLT,SWRC	3	SNA
....5	W291	6001-001155	SCREW-MACHINE;PH,+,M1.4,L3.5,ZPC(BLK),SW	1	SNA
....5		AK31-00048A	MOTOR STEP-CLD;SOH-BP7,3V,25~35,3V,-10 ~	1	SNA
....5		AK61-00742A	SPRING ETC-DVD GT;SOH-DR4,Cu,2.8,5.6,5.6	1	SNA
....5		AK61-00830A	HOLDER-GT BD;SOH-BP4,Zn,T1.85,D5.6,GRY	1	SNA
....5		AK61-00874A	SPRING ETC-PBS BD;SOH-BP5,SUS,0.15,SILBE	1	SNA
....5	ES02	AK61-00974A	SPRING ETC-DVD LD;SOH-SBP2,SUS301,3.7,0.	1	SA
....5		AK61-01060A	HOLDER-LD BD;SOH-BP7,Zn,15.2,7.3,GRAY	1	SNA
....5		AK61-01061A	HOLDER-CL;SOH-BP7,PPS(FZ-3805 S2),27.0,1	1	SNA
....5		AK61-01073A	SPRING ETC-PBS DVD;SOH-BP7,SUS 304 0.15t	1	SNA
....5		AK61-01075A	SPRING ETC-DVD HOLDER;SOH-BP7,SUS 304,11	1	SNA
....5		AK61-01217A	SPRING ETC-CLD;BP7,sus304,0.10,1.5,1.7,1	1	SNA

Level	Loc.	Part Code	Description & Specification	Qty.	SA/SNA
....5		AK61-01257A	BASE-PICK UP;SOH-BP7VE,PPS(FZ-3805 S2),B	1	SNA
....5		AK61-01258A	HOLDER-LD/GT;SOH-BP7VE,Zn,6,8.6,GRAY	1	SNA
....5		AK63-00518A	COVER-FPCB;SOH-BP4,SUS304,T0.15,W3.2,L13	1	SNA
....5	SNA	AK63-00717A	COVER-BASE;SOH-BP7,STAINLESS-ST304,0.2t	1	SNA
....5		AK66-00202A	SHAFT-MAIN CLD;SOH-BP7,SUS304,25,1.2,SIL	1	SNA
....5		AK67-00044A	LENS-CL DVD;SOH-BP1,PLASTIC,NTR,PI5.2,1.	1	SNA
....5		AK67-00094A	LENS-BD GT;Grating,LENS,B270,None,3.0*2.	1	SNA
....5		AK67-00095A	LENS-PBS BD;SOH-BP5,GLS,WHT,6.2*5.0,1.5	1	SNA
....5		AK67-00110A	LENS-BD QWP;BD QWP,Plastic,WHT,4.0*4.0,0	1	SNA
....5	SNA	AK67-00130A	LENS-CD GT;BDP7 CD GT,LENS,B270,WHT,3.0*	1	SNA
....5		AK67-00131A	LENS-DVD PBS;BDP7 DVD PBS,LENS,B270,WHT,	1	SNA
....5		AK67-00132A	LENS-DVD MR;BDP7 DVD MR,LENS,B270,WHT,4.	1	SNA
....5		AK67-00133A	LENS-DVD PLATE;BDP7 DVD PLATE,LENS,B270,	1	SNA
....5		AK67-00134A	LENS-BD CL;BDP7 BD CL,Z340R,WHT,4.4*5.3,	1	SNA
....5		AK67-00135A	LENS-BD ASL;BDP7 BD ASL,Z340R,WHT,Pi 2.4	1	SNA
....5		AK67-00159A	LENS-BD MRR;BDP7 BD MRR,LENS,B270,WHT,6.	1	SNA
....5		AK96-01830A	ASSY PICK UP P-PCB;SOH-BP8	1	SNA
....6		0603-001257	PHOTO-RECEIVER;6V,650nm	1	SNA
....6		0603-001259	PHOTO-RECEIVER;5.7V,405nm	1	SNA
....6	R700	1404-001328	THERMISTOR-NTC;10Kohm,0A,3370K,0mW/C,0uF	1	SNA
....6	R105	2007-000138	R-CHIP;100ohm,5%,1/16W,TP,1005	1	SA
....6	R16	2007-001313	R-CHIP;330ohm,5%,1/16W,TP,1005	1	SNA
....6	HR10	2007-001320	R-CHIP;1.8Kohm,5%,1/16W,TP,1005	1	SA
....6	ND51C2	2104-001087	VR-SMD;2.2Kohm,25%,0.15W,TOP	2	SNA
....6	S.N.A	2104-001125	VR-SMD;1KOHM,25%,1/10W,TOP	1	SNA
....6	VC37	2203-006048	C-CER,CHIP;100nF,10%,10V,X7R,TP,1005	3	SA
....6	AD480	2203-006399	C-CER,CHIP;1000nF,10%,6.3V,X5R,TP,1005	4	SA
....6	J1	3708-002203	CONNECTOR-FPC/FFC/PIC;40P,0.5mm,SMD-A,AU	1	SNA
....6		AK41-01105A	PCB MAIN;BDP8-Main,FR-4,2,2.1,0.6T,34.8	1	SNA
....6		AK41-01107A	FPC-BD;BDP8-BD,1.0,POLYIMDE,20,0.075T	1	SNA
....6		AK41-01108A	FPC-DVD;BDP8-DVD,1.0,POLYIMDE,20,0.075T	1	SNA
....6		AK41-01109A	FPC-ACT;BDP8-ACT,1.0,POLYIMDE,6,0.075T	1	SNA
....6		AK61-01248A	PLATE-PD BD;SOH-BP8,SPCC,2.15t,13,7.0,SI	1	SNA
....6		AK61-01249A	PLATE-PD DVD;SOH-BP8,SPCC,1.65t,11.8,6.5	1	SNA
..3		AK96-01943C	ASSY CABLE P-PICKUP;BD-P8,A,DU0L,224,40	1	SNA
..3		AK96-01943G	ASSY CABLE P-DECK_HTS;BD-P8,A,KB00053,26	1	SNA
..3		AK96-01944B	ASSY DECK P-HINGE PU;BD-P8	1	SNA
...4	ES09	AK61-01148A	SPRING ETC-HINGE PU;BD-P7,STAINLESS-ST3	1	SNA
...4	DH03	AK61-01244A	HINGE-PU;POM	1	SNA
1		AH90-00935A	ASSY COVER FRONT;HT-E6500	1	SNA

Exploded Views and Parts List

Level	Loc.	Part Code	Description & Specification	Qty.	SA/SNA
.2	F001A	AH96-01640A	ASSY COVER P-FRONT;HT-E6500,ZA,PC,V0,BLA	1	SA
...3	F001	AH63-02607A	COVER-FRONT;HT-E6500,ABS+PMMA,2.2,BLACK	1	SNA
...3	AC227	AH63-02608A	COVER-DOOR;HT-E6500,ABS+PMMA	1	SA
...3	FD12	AH63-02609A	COVER-USB;HT-E6500,ABS+PMMA	1	SA
...3		AH63-02707B	SHEET-PROTECTION FRONT;HT-E6730W,PE,0.05	1	SNA
...3		AH63-02898A	SHEET-PROTECTION DOOR;HT-E6730W,PE,0.1,1	1	SNA
...3		AH63-02898B	SHEET-PROTECTION DOOR;HT-E6730W,PE,0.1,1	1	SNA
...3	C011	AK61-00137A	SPRING ETC-DOOR;DVD-R4000,COIL,PI0.45,DV	1	SA
...3		AK63-00838N	SHEET-PROTECTION DOOR;HT-E6730,PET,0.048	0	SNA
1		AH90-00936E	ASSY COVER BOTTOM;HT-E6500	1	SNA
.2		AH96-01936E	ASSY MISC P-BOTTOM KIT(FAN);HT-E6730W	1	SNA
...3	EF01	3103-001282	FAN-DC;12 VDC,2200rpm,0.147m^3/mi,0.921m	1	SA
...3		AH01-00013A	FILM-ITO_6KEY;NTP06TK-10,HT-E6730W,IT0*,	1	SNA
...3		AH01-00014A	FILM-ITO_2KEY;NTP02TK-00,HT-E6730W,IT0*,	1	SNA
...3		AH63-02928A	GASKET-TAPE;HT-E6730W,Conductive Fabric,	1	SNA
...3	B001A	AH96-01641G	ASSY COVER P-BOTTOM;HT-E6730W,EO,EGI-SEC	1	SNA
...4	W391	6003-000275	SCREW-TAPTYPE;BH,+ ,B,M3,L10,ZPC(BLK),SWR	2	SA
...4	M0081	6003-001375	SCREW-TAPTYPE;BH,+ ,-,B,M3,L8,ZPC(WHT),SW	1	SA
...4	SNA	AH61-03366A	BRACKET-DECK;HT-E5500,EGI-SECC,T1.0	1	SNA
...4		AH63-02605E	SHEET-INSULATOR;HT-E6730W,PP,0.45,167,12	1	SNA
...4	RB01	AH63-02614A	COVER-BOTTOM;HT-E6730W,EGI-SECC,T0.6	1	SNA
...4	C1023	AK61-00608A	LEG;DVD-VR330,RUBBER,BLK,12	2	SNA
...4	CLAMP	AK65-00001A	CLAMPER CORE-CORD POWER;EXINO,ABS,BLK	1	SNA
...3	M0909	BN63-02969A	GASKET;GASKET EMI,Polyurethane Sponge+Po	1	SNA
1		AH90-00957A	ASSY MISC-VT-USB;HT-E6500/E6730	1	SNA
.2		AH96-01946A	ASSY COVER P-VT- KITTING (VT-USB);HT-E67	1	SA
...3	W391	6003-000275	SCREW-TAPTYPE;BH,+ ,B,M3,L10,ZPC(BLK),SWR	3	SA
...3	EC13	AH39-01173A	LEAD CONNECTOR;HT-E6730W,Shield Cable,UL	1	SA
...3		AH61-03504A	HOLDER-BOND;HT-E6730W,ABS+PC,CLEAR,BOND	1	SNA
...3		AH62-00257A	TUBE VACCUM;22,ECC82-12AU7,49.2,ECC82-12	2	SNA
...3	AS100	AH63-02955A	SHEET-LED;HT-E6730W,EVA,0.5,12,12,BLACK	2	SNA
...3		AH94-02873A	ASSY PCB AMP-VT PBA;E6XXX,ALL	1	SA
...4		2301-002141	C-FILM,MPEF;1000nF,5%,250V,TP,18.0x7.0x1	2	SA
...4	CN701	3710-001909	SOCKET-BOARD TO BOARD;14P,1R,2mm,ANGLE,S	1	SA
...4		3710-003469	CONNECTOR-SOCKET;9P,STRAIGHT,BLK	2	SA
...4		AH97-08280A	ASSY AUTO-VT;HT-E6XXX,ALL,AH94-02873A	1	SNA
....5	C	2401-000573	C-AL;1uF,20%,250V,WT,TP,6.3x11,5	2	SA
....5		AH97-08281A	ASSY SMD-VT;E6XXX,ALL,AH94-02873A	1	SNA
.....6	PFRF2	2007-000219	R-CHIP;1.2Kohm,1%,1/10W,TP,1608	2	SA
.....6	R1035	2007-000287	R-CHIP;100ohm,1%,1/10W,TP,1608	2	SA



Level	Loc.	Part Code	Description & Specification	Qty.	SA/SNA
....6		2007-000336	R-CHIP;120Kohm,1%,1/10W,TP,1608	2	SA
....6		2007-000633	R-CHIP;270Kohm,1%,1/10W,TP,1608	2	SNA
....6	DC54	2203-000278	C-CER,CHIP;0.01nF,0.5pF,50V,C0G,TP,1005	2	SA
....6	C151	2203-003039	C-CER,CHIP;0.008nF,0.25pF,50V,C0G,TP,100	2	SNA
....6		AH41-01475A	PCB SUB-VT;HT-E6730W,CEM-3,2,00,1.6T,234	1	SNA
..3		AH94-02950A	ASSY PCB JACK-USB PBA;HT-E6XXX,ALL,2	1	SA
..4		0202-001608	SOLDER-WIRE FLUX;LFC7-107,D0.8,99.3Sn/0.	0	SNA
..4	EL02	0601-003174	LED;Round,Orange,3.0mm,611nm	2	SA
..4		2401-004135	C-AL;100uF,20%,250V,WT,TP,16X25mm,7.5m	1	SNA
..4	CN702	3711-005278	HEADER-BOARD TO CABLE;3WALL,14P,1R,2MM,S	1	SA
..4	USBJK	3722-001051	JACK-USB;4P/1C,AU,BLK,ANGLE,A TYPE	1	SA
..4		3722-003394	JACK-PHONE;1P/6C,AU,BLK,ANGLE	1	SA
..4		AH97-09021A	ASSY AUTO-USB;HT-E6XXX,ALL,AH94-02950A	1	SNA
....5	R1P120	2003-000713	R-METAL OXIDE(S);47ohm,5%,2W,AF,TP,4x12m	1	SC
....5		2201-000152	C-CERAMIC,DISC;10nF,+80-20%,1000V,Y5V,20	1	SNA
....5	HC1	2401-000048	C-AL;47uF,20%,25V,GP,TP,5x11,5	2	SA
....5	AE108	2401-000303	C-AL;100uF,20%,25V,WT,TP,6.3x11mm,5mm	1	SC
....5	C1S32	2401-000392	C-AL;10uF,20%,100V,WT,TP,6.3x11,2.5	5	SNA
....5	C	2401-000444	C-AL;10uF,20%,25V,GP,TP,5x5mm,5	1	SA
....5	C824	2401-000913	C-AL;22uF,20%,16V,GP,TP,5x11,5	1	SNA
....5	C4N16	2401-001502	C-AL;47uF,20%,16V,GP,TP,6.3x5,2.5	1	SC
....5		AH97-09022A	ASSY SMD-USB;E6XXX,ALL,AH94-02950A	1	SNA
....6	D1103	0406-001239	DIODE-TVS;RClamp0502B,6/-V,125W,SOT-52	1	SNA
....6		0502-001360	TR-POWER;STC405D,NPN,15000mW,TO-252	1	SA
....6	Q409	0505-001905	FET-SILICON;2N7002,N,60V,300mA,7.5ohm,3	2	SA
....6		0505-003016	FET-SILICON;AOD450,N,200V,3.8A,25W,TO-25	1	SA
....6		1203-002146	IC-POSI.FIXED REG.;5171,SOP,8P,153MIL,PL	1	SA
....6		1405-001306	VARISTOR;11Vdc,45A,0603,TP,50V	1	SA
....6	SR51	2007-000040	R-CHIP;150ohm,1%,1/10W,TP,1608	4	SNA
....6	DR1	2007-000043	R-CHIP;1Kohm,1%,1/10W,TP,1608	1	SNA
....6	KAR13	2007-000060	R-CHIP;100Kohm,1%,1/10W,TP,1608	1	SNA
....6	ZPR3	2007-000106	R-CHIP;220Kohm,5%,1/10W,TP,1608	1	SA
....6		2007-000448	R-CHIP;180ohm,1%,1/10W,TP,1608	2	SA
....6	PR2	2007-000651	R-CHIP;27Kohm,1%,1/10W,TP,1608	5	SNA
....6		2007-000819	R-CHIP;390Kohm,5%,1/10W,TP,1608	1	SNA
....6	R807	2007-001134	R-CHIP;68ohm,5%,1/10W,TP,1608	1	SA
....6		2007-007847	R-CHIP;16Kohm,1%,1/10W,TP,1608	1	SA
....6	C254	2203-000438	C-CER,CHIP;1nF,10%,50V,X7R,TP,1005	1	SNA
....6	DC25	2203-000812	C-CER,CHIP;0.033nF,5%,50V,C0G,TP,1005	2	SNA
....6	AD480	2203-002285	C-CER,CHIP;10nF,10%,50V,X7R,TP,1005	1	SNA

Exploded Views and Parts List

Level	Loc.	Part Code	Description & Specification	Qty.	SA/SNA
....6		2703-003879	INDUCTOR-SMD;33uH,20%,10.0mmX10.0mm	1	SA
....6	DR32	3301-000314	BEAD-SMD;120ohm,1608,TP,120ohm/100MHz	1	SNA
....6	S.N.A	3301-001808	BEAD-SMD;120ohm,1005,TP,530ohm/390MHz,12	2	SA
....6	EH01	3711-008098	HEADER-BOARD TO CABLE;BOX,20P,1R,1.25mm,	1	SNA
....6		AH41-01470A	PCB-USB-USB;HT-E6730W,CEM-3,2,00,1.6T,16	1	SNA
...3		AH96-01956A	ASSY COVER P-VT;HT-E6500	1	SNA
...4		AH61-03367A	HOLDER-VT;HT-E6500,ABS,BLACK	1	SNA
...4		AH64-05546A	DECORATION-VT;HT-E6500,ABS,BLACK	1	SNA
1	M0017	AH91-00451K	ASSY CHASSIS;HT-E6750W,EUROPE,TK,BHE6	1	SNA
.2	P001A	AH94-02862A	ASSY PCB SMPS-PBA;HT-E6XXX,1	1	SA
...3		0201-001059	ADHESIVE-SIL;#9590,WHT,CARTRIGE	0	SNA
...3		0205-001278	GREASE;T4110	0	SNA
...3	SBD5	0402-001258	DIODE-BRIDGE;GBU606,600V,6A,SIP-4,BK	1	SA
...3	D1SS12	0402-001439	DIODE-RECTIFIER;SHK75-11,100V,3A,DO-201A	1	SA
...3	D1SS16	0402-001680	DIODE-RECTIFIER;SF34,200V,3A,DO-201AD,TP	4	SA
...3		0404-001708	DIODE-SCHOTTKY;SB5100L,100V,5000mA,DO-20	1	SA
...3		0404-001711	DIODE-SCHOTTKY;MBRP30U200CT,200V,30000mA	1	SA
...3		0505-002886	FET-SILICON;STF11NM80,N,800,11,0.35,35W,	1	SA
...3	EL02	0601-003188	LED;ROUND,GRN,3.1mm,565nm,3.85x5.28mm	1	SA
...3		0604-001466	PHOTO-COUPLER;TR,130~260,250mW,DIP-4,ST	4	SA
...3	T0086	1203-006090	IC-PWM CONTROLLER;ICE2QS03,DIP,8P,9.52x6	1	SA
...3		1203-006615	IC-SWITCH CUR. REG.;DIP,7P,9.52*7.87*4.3	1	SA
...3		1401-001104	THYRISTOR-TRIAC;8A,600V,10uA,25V/uS,TO-2	1	SNA
...3	T0900	1404-001195	THERMISTOR-NTC;5.1ohm,3.84A,3000K,21mW/C	1	SA
...3		1405-000152	VARISTOR;560V,455Vdc,2500A,14x8.5mm,TP,9	1	SA
...3		2006-001185	R-CEMENT(S);620ohm,5%,5W,BK,23.5*10.5*14	2	SA
...3		2009-001253	R-METAL PLATE;0.09ohm,5%,5W,BK,5x15x18mm	1	SA
...3	PCD02	2201-000963	C-CERAMIC,DISC;1nF,20%,400V,Y5U,9.5x6mm,	3	SNA
...3		2201-002213	C-CERAMIC,DISC;0.47nF,10%,400V,Y5P,8.0X6	2	SNA
...3	CX2	2301-001511	C-FILM,LEAD-PEF;330nF,10%,275V,BK,16X18X	2	SNA
...3	CF1	2301-001796	C-FILM,LEAD-PPF;0.56nF,5%,1000V,23x12mm	1	SA
...3		2301-002010	C-FILM,MPEF;47nF,10%,275V,BK,12.5x6x11	1	SA
...3	PES34	2401-003480	C-AL;1000UF,20%,10V,LZ,TP,10X16MM,5	1	SA
...3	WE08	2401-003850	C-AL;1000UF,20%,50V,WT,TP,12.5 X 25,5	4	SNA
...3	PPCD1	2401-004307	C-AL;1000uF,20%,25V,TP,10X20mm,5mm	2	SA
...3		2401-005272	C-AL;330uF,20%,250V,BK,22x35,10mm	2	SNA
...3		3601-001496	FUSE-RADIAL LEAD;250V,5A,TIME DELAY,RESI	1	SNA
...3	PCNS2	3711-000203	HEADER-BOARD TO CABLE;1WALL,2P/3P,1R,7.9	1	SA
...3	CON1	3711-005637	HEADER-BOARD TO BOARD;NOWALL,23P,1R,1.25	1	SA
...3	M0081	6003-001375	SCREW-TAPTYPE;BH,+,-,B,M3,L8,ZPC(WHT),SW	3	SA

Level	Loc.	Part Code	Description & Specification	Qty.	SA/SNA
..3		AH26-00391A	TRANS SWITCHING;EER3541H,HT-E6500/E6730,	1	SA
..3		AH26-00392A	TRANS SWITCHING;EE2525W,HT-E6500/E6730,F	1	SA
..3	T0010	AH27-00068A	COIL CHOKE;BARX20, 2.9UH,HT-Z320,2.9uH,2	1	SA
..3		AH29-00018A	FILTER LINE NOISE;ht-c5500,TR16_9MH,0.15	2	SNA
..3	AH020	AH62-00201H	HEAT SINK;HT-C450,A6063,18,35,46,SILVER,	2	SNA
..3	HSD11A	AH62-30122A	HEAT SINK-POWER;DVD-860,A6063S-T5,T1.3,W	1	SNA
..3		AH97-08242A	ASSY AUTO-SMPS;HT-E6XXX,ALL,AH94-02862A	1	SNA
...4	PDS11	0402-000012	DIODE-RECTIFIER;UF4007,1000V,1A,DO-41,TP	5	SA
...4	DX55PD	0402-000151	DIODE-RECTIFIER;1N5392,100V,1.5A,DO-15,T	2	SA
...4	PZD5	0403-000161	DIODE-ZENER;1N4751A,5%,1000mW,DO-41,TP	1	SA
...4		0403-000163	DIODE-ZENER;1N4753A,36V,5%,1W,DO-41,TP	1	SNA
...4		1401-000128	THYRISTOR-DIAC;-	1	SNA
...4	R1	2002-001115	R-COMPOSITION;1.5Mohm,5%,1/2W,AA,TP,4x12	1	SA
...4		2003-000403	R-METAL OXIDE(S);0.68ohm,5%,2W,AF,TP,3.9	1	SNA
...4	PRS13	2003-000994	R-METAL OXIDE(S);33Kohm,5%,2W,AF,TP,3.9x	2	SA
...4		2003-002102	R-METAL OXIDE(S);68Kohm,5%,2W,AF,TP,4x12	1	SC
...4	CY5	2305-001016	C-FILM,LEAD-PEF;10nF,10%,630V,TP,12.5x6.	2	SNA
...4	C1SS19	2401-000385	C-AL;10uF,20%,100V,GP,TP,6.3x11,5	1	SA
...4	AHE10	2401-000414	C-AL;10uF,20%,16V,GP,TP,4x7,5	1	SNA
...4	C	2401-000970	C-AL;22uF,20%,50V,WT,TP,5x11,5	1	SNA
...4	C	2401-001838	C-AL;470uF,20%,25V,WT,TP,10x16,5	3	SA
...4	C405	2401-002438	C-AL;47uF,20%,50V,WT,TP,6.3x11,5mm	1	SA
...4	C	2401-003019	C-AL;470uF,20%,6.3V,GP,TP,6.3X11mm,5mm	1	SA
...4	ZE1	2401-003036	C-AL;100uF,20%,16V,GP,TP,5X11mm,5mm	2	SA
...4	BD707	3301-000297	BEAD-AXIAL;25ohm,3.6x1.2x5.7mm,-,TP,-,-,	5	SNA
...4	JP21	3811-001868	WIRE-NO SHEATH CU;SnCuFe,52mm,GRY	35	SNA
...4		6042-000001	EYELET;ID2.2,OD2.7,L3.1,NI+SN,BSP3-1/2H	4	SNA
...4		6042-000002	EYELET;ID1.5,OD2,L2.8,NI+SN,BSP3-1/2H	1	SNA
...4	PLS31	AC27-12001N	COIL CHOKE;RA,10%,Q80,150KHZ,BK	2	SA
...4		AH97-08243A	ASSY SMD-SMPS;E6XXX,ALL,AH94-02862A	1	SNA
....5	S.N.A	0202-001459	SOLDER-CREAM;S3X58-M405,D20~38um,96.5Sn/	1	SNA
....5	D1	0401-001099	DIODE-SWITCHING;1N4148WS,75V,150mA,SOD-3	4	SA
....5		0403-001062	DIODE-ZENER;UDZSNP4.7B,4.55/4.75V,200mW,	1	SA
....5	VD11	0403-001083	DIODE-ZENER;UDZSNP9.1B,8.85/9.23V,200mW,	2	SNA
....5		0403-001483	DIODE-ZENER;UDZS18B,17.56-18.35V,200mW,S	1	SA
....5	MD1	0404-001089	DIODE-SCHOTTKY;RB551V-30,20V,500MA,SOD-3	4	SA
....5	KQ6	0501-000341	TR-SMALL SIGNAL;KSC1623-L,NPN,200mW,SOT-	1	SA
....5	Q1040	0501-000457	TR-SMALL SIGNAL;MMBT2222A/KST2222A,NPN,3	1	SA
....5	Q1042	0501-000462	TR-SMALL SIGNAL;MMBT2907A,PNP,350mW,SOT-	2	SNA
....5	AQ7	0504-000128	TR-DIGITAL;FJV3103R,NPN,200mW,22K/22Kohm	1	SA

Exploded Views and Parts List

Level	Loc.	Part Code	Description & Specification	Qty.	SA/SNA
....5		0505-002893	FET-SILICON;AO4801AS,P,-30V,-5A,2W,SOIC-	1	SA
....5		1203-005587	IC-POSIA.DJUST REG.;KIA431AM,SOT-23,3P,2	3	SNA
....5		1203-006107	IC-NEGA.FIXED REG.;KIA7905F,DPAK,3P,6.6x	1	SNA
....5	JP19	2007-000033	R-CHIP;0ohm,5%,1/4W,TP,3216	2	SA
....5	DR1	2007-000043	R-CHIP;1Kohm,1%,1/10W,TP,1608	1	SNA
....5	AR150	2007-000078	R-CHIP;1Kohm,5%,1/10W,TP,1608	6	SA
....5	R331	2007-000079	R-CHIP;1.8Kohm,5%,1/10W,TP,1608	1	SA
....5	FAR22	2007-000082	R-CHIP;3.3Kohm,5%,1/10W,TP,1608	1	SA
....5	CER04	2007-000084	R-CHIP;4.7Kohm,5%,1/10W,TP,1608	1	SA
....5	MROP1	2007-000090	R-CHIP;10Kohm,5%,1/10W,TP,1608	4	SA
....5	MR13	2007-000092	R-CHIP;15Kohm,5%,1/10W,TP,1608	2	SNA
....5	MR122	2007-000094	R-CHIP;22Kohm,5%,1/10W,TP,1608	1	SNA
....5	R3A13	2007-000100	R-CHIP;68Kohm,5%,1/10W,TP,1608	1	SNA
....5	ARR2	2007-000102	R-CHIP;100Kohm,5%,1/10W,TP,1608	3	SA
....5	KAR7	2007-000120	R-CHIP;680ohm,5%,1/10W,TP,1608	1	SA
....5	R15	2007-000134	R-CHIP;33Kohm,5%,1/10W,TP,1608	2	SNA
....5	FR6	2007-000536	R-CHIP;200ohm,1%,1/10W,TP,1608	1	SNA
....5		2007-000575	R-CHIP;220ohm,5%,1/4W,TP,3216	1	SNA
....5	LDR2	2007-000659	R-CHIP;27ohm,5%,1/10W,TP,1608	1	SNA
....5	AR28	2007-000683	R-CHIP;3.3Kohm,1%,1/10W,TP,1608	1	SA
....5		2007-000760	R-CHIP;330Kohm,5%,1/4W,TP,3216	3	SNA
....5	R19	2007-000763	R-CHIP;330ohm,1%,1/10W,TP,1608	1	SA
....5	MR14	2007-000842	R-CHIP;3Kohm,1%,1/10W,TP,1608	1	SNA
....5		2007-000883	R-CHIP;4.7ohm,5%,1/4W,TP,3216	2	SNA
....5	HR10	2007-000962	R-CHIP;5.1Kohm,1%,1/10W,TP,1608	1	SNA
....5	R858	2007-001007	R-CHIP;51Kohm,1%,1/10W,TP,1608	1	SA
....5	R1	2007-002425	R-CHIP;1ohm,5%,1/10W,TP,1608	1	SNA
....5	R54	2007-008426	R-CHIP;12.4Kohm,1%,1/10W,TP,1608	1	SNA
....5	C212	2203-000440	C-CER,CHIP;1nF,10,50V,X7R,TP,1608	3	SNA
....5	V1233	2203-000575	C-CER,CHIP;220nF,10%,25V,X7R,TP,2012	2	SNA
....5	ZC14	2203-000626	C-CER,CHIP;0.022nF,5%,50V,C0G,TP,1608	1	SNA
....5	ZC165	2203-000815	C-CER,CHIP;0.033nF,5%,50V,C0G,TP,1608	2	SNA
....5	AD480	2203-002050	C-CER,CHIP;47nF,10%,50V,X7R,TP,1608	1	SA
....5	AVC08	2203-002398	C-CER,CHIP;22nF,10%,50V,X7R,TP,1608	1	SNA
....5	AC611	2203-005194	C-CER,CHIP;0.22nF,10%,50V,X7R,TP,1608	1	SNA
....5	PC11	2203-006141	C-CER,CHIP;1000nF,10%,16V,X5R,TP,1608,0.	1	SNA
....5	AD480	2203-006636	C-CER,CHIP;220nF,10%,25V,X7R,TP,1608	2	SA
....5	AD480	2203-006698	C-CER,CHIP;1000nF,10%,25V,X7R,TP,1608,0.	5	SA
....5	AD480	2203-006741	C-CER,CHIP;470nF,10%,25V,X5R,TP,1608,0.8	1	SNA
....5	AD480	2203-006960	C-CER,CHIP;1000nF,10%,50V,X7R,TP,2012	1	SNA

Level	Loc.	Part Code	Description & Specification	Qty.	SA/SNA
...5		AH41-01517A	PCB POWER;HT-E6500W, E6750W,CEM-1,1,1.6,	1	SNA
.2	M0014	AH94-02871C	ASSY PCB MAIN-MAIN+AMP;HT-E6750W,BD HOME	1	SA
..3		2301-002070	C-FILM,LEAD-PPF;470nF,5%,100V,TP,4.0x10.	2	SA
..3		2401-005034	C-AL;1000uF,20%,50V,BK,12.5x35L,5mm	3	SA
..3		3002-001134	BUZZER-PIEZO;85dB,12V,2K-4KHz,BK	1	SA
..3		3709-001592	CONNECTOR-CARD EDGE;22P,1.27mm,ANGLE,SN,	1	SA
..3	CON1	3710-002087	SOCKET-BOARD TO CABLE;23P,1R,1.25mm,STRA	1	SNA
..3	FAN1	3711-000820	HEADER-BOARD TO CABLE;BOX,2P,1R,2.5MM,ST	1	SA
..3		3716-001525	TERMINAL-BLOCK;JACK TYPE,6P,4.5mm	1	SA
..3		3722-002874	JACK-DIN;4P,SN,BLK,ANGLE	1	SA
..3		3722-003266	JACK-MODULAR;8P/8C, Yes,ANGLE-DIP,W/O,AU,	1	SA
..3		3722-003412	JACK-PIN;3P(RCA)+Optical,NI,WHT/YEL/RED,	1	SA
..3		AH27-00089A	COIL CHOKE;CMI-SBL9H16NH-100L,HW-D7000,1	4	SNA
..3		AH27-00090A	COIL FILTER;9014W-01-7R0,7uH,16.2mohm,9.	4	SA
..3		AH62-00258B	HEAT SINK-ES;HT-E6500,A6063,BLACK,104.8*	1	SNA
..3		AH63-02938A	GASKET;HT-E6730W,Conductive Fabric,2.5,1	1	SNA
..3		AH97-08273A	ASSY HDCP-MAIN+AMP;HT-E6730W,BD HOME THE	1	SNA
...4		BN46-00109H	KEY CODE-CERTIFI;MAC,TV/AV,General	1	SNA
...4		BN46-00217A	KEY CODE-CERTIFI;HT-E67xx,PACK, AV, Fire	1	SNA
..3		AH97-08294A	ASSY SMD-MAIN+AMP;HT-E6750W,BD HOME THEA	1	SNA
...4	D0254	0404-000002	DIODE-SCHOTTKY;CMPSH-3,30V,100mA,SOT-23,	1	SA
...4	D0254	0404-001006	DIODE-SCHOTTKY;RB751V,40V,30mA,SOD-323,T	3	SA
...4	D2505	0404-001036	DIODE-SCHOTTKY;SDB30A40,40V,3000mA,SOD-1	5	SA
...4		0404-001049	DIODE-SCHOTTKY;BAT54S,30V,200mA,SOT-23,T	2	SA
...4	D0254	0404-001084	DIODE-SCHOTTKY;BAT54A,30V,200mA,SOT-23,T	1	SA
...4	MD1	0404-001089	DIODE-SCHOTTKY;RB551V-30,20V,500MA,SOD-3	3	SA
...4	T0139	0406-001200	DIODE-TVS;RCLAMP0504F,6/-V,150W,SC-70	2	SA
...4	T0139	0406-001271	DIODE-TVS;RCLAMP0524P,6/-V,150W,SLP251	6	SNA
...4		0501-000150	TR-SMALL SIGNAL;2SA1037,PNP,200mW,SOT-23	3	SA
...4	KQ1	0501-000279	TR-SMALL SIGNAL;KSA1182-Y,PNP,150mW,SOT-	4	SA
...4	KQ6	0501-000341	TR-SMALL SIGNAL;KSC1623-L,NPN,200mW,SOT-	1	SA
...4	Q1040	0501-000457	TR-SMALL SIGNAL;MMBT2222A/KST2222A,NPN,3	2	SA
...4	Q1042	0501-000462	TR-SMALL SIGNAL;MMBT2907A,PNP,350mW,SOT-	3	SNA
...4	Q613	0501-000465	TR-SMALL SIGNAL;MMBT3904,NPN,350mW,SOT-2	3	SA
...4	Q1	0501-000479	TR-SMALL SIGNAL;KST42,NPN,350mW,SOT-23,T	2	SA
...4	AQ7	0504-000128	TR-DIGITAL;FJV3103R,NPN,200mW,22K/22Kohm	7	SA
...4		0504-001013	TR-DIGITAL;KRC106S,NPN,200MW,4.7K/47K,SO	2	SNA
...4		0505-001377	FET-SILICON;BSN20,N,50V,100mA,15ohm,250W	1	SA
...4		0505-002598	FET-SILICON;AP2317GN,P,-20V,-4.2A,0.052o	2	SA
...4	IC104	0801-002518	IC-CMOS LOGIC;74LCX157,2-INPUT MULTIPLEX	1	SA

Exploded Views and Parts List

Level	Loc.	Part Code	Description & Specification	Qty.	SA/SNA
...4		0801-003415	IC-CMOS LOGIC;74HC4052,MUX/DEMUX,TSSOP,1	1	SA
...4		0903-001771	IC-MICROCONTROLLER;LQFP (EPAD),128P,14 m	1	SA
...4		0904-002714	IC-USC;QFN,28P,5.0mm X 5.0mm,12MHz,TP,PL	1	SA
...4		1001-001689	IC-ANALOG SWITCH;TS5A23159RSER,QFN,10P,2	1	SA
...4		1002-001582	IC-A/D CONVERTER;CS5346,24,LQFP,48P,7x7m	1	SNA
...4		1003-002383	IC-MOTOR DRIVER;TPIC1391DBTRG4,TSSOP,30P	1	SNA
...4		1003-002384	IC-MOTOR DRIVER;TPIC1407,DFD,56P,14.10x6	1	SNA
...4		1006-001438	IC-BUS DRIVER;MFI341S2162/2164,QFN,20P,4	1	SA
...4	IC112	1103-001410	IC-EEPROM;S-24CS08AFJ-TB-1GE,8Kbit,1Kx8,	1	SNA
...4	IC112	1103-001475	IC-EEPROM;M24256-BR,256Kbit,32Kx8,SOP,8P	1	SNA
...4		1105-002161	IC-DDR3 SDRAM;K4B2G1646C-HCH9,1333 DDR3	2	SNA
...4		1105-002194	IC-DDR3 SDRAM;K4B1G1646G-BCH9,DDR3 SDRAM	1	SA
...4	KOP1	1201-000163	IC-OP AMP;4560,SOP,8P,173MIL,DUAL,100V/m	5	SA
...4		1201-003184	IC-AUDIO AMP;TAS5614APHD,HTQFP,64P,14x14	2	SA
...4		1201-003309	IC-AUDIO AMP;TAS5613APHD,HTQFP,64P,14x14	1	SNA
...4		1201-003331	IC-VIDEO AMP;MM1756DURE,TSOP,6P,2x1.25mm	1	SNA
...4		1203-006067	IC-POWER SUPERVISOR;TPS2553DBVR,SOT-23,6	3	SNA
...4		1203-006133	IC-POSI.ADJUST REG.;AP1117D-25-GZ-13-89,	1	SA
...4	T0087	1203-006135	IC-POSI.FIXED REG.;AP1117D-33-GZ-13-89,T	1	SA
...4		1203-006693	IC-DC/DC CONVERTER;AOZ1034PI,SO-8,8P,4.9	1	SA
...4		1203-006700	IC-POSI.ADJUST REG.;AP7311-WG-7,SOT25,6P	1	SNA
...4		1203-007005	IC-POSI.FIXED REG.;G912F11U,SOP-8(FD),8P	1	SA
...4		1203-007080	IC-DC/DC CONVERTER;AOZ1051PI,SO-8,8P,4.9	3	SA
...4		1203-007107	IC-RESET;CAT853STBI-T3,SOT-23 3-Lead,3P,	1	SA
...4		1203-007137	IC-POSI.ADJUST REG.;AP7361-Y,SOT89,5P,4.	1	SA
...4		1204-003233	IC-VIDEO DECODER;SDP1004,880P,27x27x3.1m	1	SNA
...4		1204-003322	IC-MODULATOR;TAS5538DGGR,TSSOP,56P,14x8.	1	SA
...4		1204-003345	IC-TUNER;SI4705-D60-GMR,QFN,20P,3x3mm,PL	1	SA
...4		1205-003834	IC-ETHERNET CONTROLLER;RTL8201E-VC-GRT,Q	1	SA
...4	HD9	1405-001192	VARISTOR;12Vdc,30A,1.6x0.8x0.55mm,TP,50V	8	SA
...4		1405-001253	VARISTOR;12Vdc,1.6x0.8x0.4mm,TP,100V,0.2	13	SA
...4	J914	2007-000029	R-CHIP;0ohm,5%,1/8W,TP,2012	1	SNA
...4	JP19	2007-000033	R-CHIP;0ohm,5%,1/4W,TP,3216	4	SA
...4	R401	2007-000034	R-CHIP;1ohm,5%,1/4W,TP,3216	2	SNA
...4	DR1	2007-000043	R-CHIP;1Kohm,1%,1/10W,TP,1608	5	SNA
...4	PR4	2007-000052	R-CHIP;10Kohm,1%,1/10W,TP,1608	6	SA
...4	ND51C2	2007-000066	R-CHIP;20Kohm,1%,1/10W,TP,1608	2	SA
...4	KAR21	2007-000070	R-CHIP;0ohm,5%,1/10W,TP,1608	3	SA
...4	AR30	2007-000074	R-CHIP;100ohm,5%,1/10W,TP,1608	18	SNA
...4	RR2	2007-000075	R-CHIP;220ohm,5%,1/10W,TP,1608	2	SA

Level	Loc.	Part Code	Description & Specification	Qty.	SA/SNA
...4	AR158	2007-000077	R-CHIP;470ohm,5%,1/10W,TP,1608	1	SA
...4	AR150	2007-000078	R-CHIP;1Kohm,5%,1/10W,TP,1608	11	SA
...4	FMR4	2007-000080	R-CHIP;2Kohm,5%,1/10W,TP,1608	8	SNA
...4	R329	2007-000081	R-CHIP;2.7Kohm,5%,1/10W,TP,1608	4	SA
...4	FAR22	2007-000082	R-CHIP;3.3Kohm,5%,1/10W,TP,1608	1	SA
...4	CER04	2007-000084	R-CHIP;4.7Kohm,5%,1/10W,TP,1608	18	SA
...4	MROP1	2007-000090	R-CHIP;10Kohm,5%,1/10W,TP,1608	3	SA
...4	MR13	2007-000092	R-CHIP;15Kohm,5%,1/10W,TP,1608	2	SNA
...4	MR122	2007-000094	R-CHIP;22Kohm,5%,1/10W,TP,1608	3	SNA
...4	AR108	2007-000097	R-CHIP;47Kohm,5%,1/10W,TP,1608	12	SA
...4	R830	2007-000101	R-CHIP;82Kohm,5%,1/10W,TP,1608	2	SA
...4	ARR2	2007-000102	R-CHIP;100Kohm,5%,1/10W,TP,1608	1	SA
...4	R309	2007-000105	R-CHIP;200Kohm,5%,1/10W,TP,1608	1	SNA
...4	ZPR3	2007-000106	R-CHIP;220Kohm,5%,1/10W,TP,1608	2	SA
...4	R512	2007-000107	R-CHIP;470Kohm,5%,1/10W,TP,1608	2	SNA
...4	R510	2007-000108	R-CHIP;510Kohm,5%,1/10W,TP,1608	1	SA
...4	MR34	2007-000118	R-CHIP;390ohm,5%,1/10W,TP,1608	4	SA
...4	AAR39	2007-000123	R-CHIP;1.5Kohm,5%,1/10W,TP,1608	1	SA
...4	R1053	2007-000131	R-CHIP;91Kohm,5%,1/10W,TP,1608	1	SNA
...4	R15	2007-000134	R-CHIP;33Kohm,5%,1/10W,TP,1608	4	SNA
...4	MR604	2007-000137	R-CHIP;2Kohm,5%,1/16W,TP,1005	5	SA
...4	AR49	2007-000140	R-CHIP;1Kohm,5%,1/16W,TP,1005	9	SNA
...4	MR306	2007-000141	R-CHIP;2.2Kohm,5%,1/16W,TP,1005	1	SNA
...4	AVR73	2007-000142	R-CHIP;2.7Kohm,5%,1/16W,TP,1005	3	SA
...4	R319	2007-000143	R-CHIP;4.7Kohm,5%,1/16W,TP,1005	25	SNA
...4	PR27	2007-000144	R-CHIP;5.1Kohm,5%,1/16W,TP,1005	2	SNA
...4		2007-000146	R-CHIP;6.8Kohm,5%,1/16W,TP,1005	2	SNA
...4		2007-000147	R-CHIP;8.2Kohm,5%,1/16W,TP,1005	1	SA
...4	R102	2007-000149	R-CHIP;12Kohm,5%,1/16W,TP,1005	2	SA
...4	HDR2	2007-000151	R-CHIP;15Kohm,5%,1/16W,TP,1005	1	SNA
...4	MR36	2007-000153	R-CHIP;22Kohm,5%,1/16W,TP,1005	7	SA
...4	AR43	2007-000155	R-CHIP;27Kohm,5%,1/16W,TP,1005	1	SNA
...4	MR13	2007-000157	R-CHIP;47Kohm,5%,1/16W,TP,1005	24	SNA
...4	R123	2007-000159	R-CHIP;56Kohm,5%,1/16W,TP,1005	12	SA
...4	DR39	2007-000162	R-CHIP;100Kohm,5%,1/16W,TP,1005	8	SNA
...4	R517	2007-000163	R-CHIP;120Kohm,5%,1/16W,TP,1005	1	SA
...4		2007-000165	R-CHIP;200Kohm,5%,1/16W,TP,1005	3	SNA
...4	MR16	2007-000168	R-CHIP;470Kohm,5%,1/16W,TP,1005	4	SNA
...4	R509	2007-000170	R-CHIP;1Mohm,5%,1/16W,TP,1005	2	SNA
...4	R111	2007-000171	R-CHIP;0ohm,5%,1/16W,TP,1005	18	SNA

## Exploded Views and Parts List

Level	Loc.	Part Code	Description & Specification	Qty.	SA/SNA
...4	HDR17	2007-000172	R-CHIP;10ohm,5%,1/16W,TP,1005	5	SNA
...4	MR39	2007-000242	R-CHIP;1.5Kohm,5%,1/16W,TP,1005	3	SA
...4		2007-000253	R-CHIP;1.5ohm,5%,1/4W,TP,3216	1	SA
...4	MR9	2007-000455	R-CHIP;18Kohm,1%,1/10W,TP,1608	1	SA
...4	WR18B	2007-000463	R-CHIP;18ohm,5%,1/10W,TP,1608	14	SA
...4		2007-000464	R-CHIP;18ohm,5%,1/4W,TP,3216	1	SNA
...4	MR8	2007-000503	R-CHIP;2.2ohm,5%,1/10W,TP,1608	1	SA
...4	UR16	2007-000552	R-CHIP;20ohm,5%,1/10W,TP,1608	2	SA
...4	R3A05	2007-000616	R-CHIP;24Kohm,5%,1/10W,TP,1608	2	SA
...4	PR2	2007-000651	R-CHIP;27Kohm,1%,1/10W,TP,1608	1	SNA
...4	R726	2007-000695	R-CHIP;3.3ohm,5%,1/10W,TP,1608	25	SNA
...4	R299	2007-000772	R-CHIP;33Kohm,1%,1/10W,TP,1608	1	SA
...4	R124	2007-000775	R-CHIP;33Kohm,5%,1/16W,TP,1005	16	SA
...4	MR14	2007-000842	R-CHIP;3Kohm,1%,1/10W,TP,1608	1	SNA
...4	R980	2007-000929	R-CHIP;470ohm,1%,1/10W,TP,1608	2	SA
...4	PR12	2007-000979	R-CHIP;5.6Kohm,1%,1/10W,TP,1608	1	SA
...4	FR18	2007-000982	R-CHIP;5.6Kohm,5%,1/16W,TP,1005	2	SNA
...4	R858	2007-001007	R-CHIP;51Kohm,1%,1/10W,TP,1608	3	SA
...4	VR88	2007-001116	R-CHIP;680ohm,1%,1/10W,TP,1608	1	SA
...4	R703	2007-001153	R-CHIP;750ohm,1%,1/10W,TP,1608	1	SA
...4	AHR41	2007-001175	R-CHIP;8.2Kohm,1%,1/10W,TP,1608	2	SA
...4		2007-001284	R-CHIP;4.7ohm,5%,1/16W,TP,1005	1	SNA
...4	OTR1	2007-001292	R-CHIP;33ohm,5%,1/16W,TP,1005	95	SNA
...4	DR43	2007-001298	R-CHIP;51ohm,5%,1/16W,TP,1005	2	SA
...4		2007-001300	R-CHIP;56ohm,5%,1/2W,TP,5025	1	SNA
...4	DR1	2007-001301	R-CHIP;68ohm,5%,1/16W,TP,1005	1	SA
...4	AR30	2007-001306	R-CHIP;150ohm,5%,1/16W,TP,1005	1	SA
...4	R19548	2007-001311	R-CHIP;270ohm,5%,1/16W,TP,1005	1	SA
...4	R16	2007-001313	R-CHIP;330ohm,5%,1/16W,TP,1005	3	SNA
...4		2007-001319	R-CHIP;1.2Kohm,5%,1/16W,TP,1005	2	SA
...4	R326	2007-001325	R-CHIP;3.3Kohm,5%,1/16W,TP,1005	1	SNA
...4		2007-001342	R-CHIP;2Mohm,5%,1/10W,TP,1608	1	SA
...4	R1	2007-002425	R-CHIP;1ohm,5%,1/10W,TP,1608	9	SNA
...4		2007-002437	R-CHIP;2ohm,5%,1/10W,TP,1608	1	SNA
...4	MR316	2007-002796	R-CHIP;510ohm,5%,1/16W,TP,1005	6	SNA
...4	ER19	2007-002899	R-CHIP;10ohm,1%,1/10W,TP,1608	10	SA
...4	TR30	2007-007009	R-CHIP;75ohm,5%,1/16W,TP,1005	7	SNA
...4		2007-007065	R-CHIP;10ohm,5%,1W,TP,6432	4	SA
...4		2007-007100	R-CHIP;10Mohm,5%,1/16W,TP,1005	1	SA
...4		2007-007135	R-CHIP;18Kohm,1%,1/16W,TP,1005	1	SNA



Level	Loc.	Part Code	Description & Specification	Qty.	SA/SNA
...4		2007-007136	R-CHIP;4.7Kohm,1%,1/16W,TP,1005	2	SA
...4	MR10	2007-007141	R-CHIP;240ohm,5%,1/16W,TP,1005	1	SNA
...4		2007-007156	R-CHIP;1ohm,5%,1/16W,TP,1005	12	SA
...4		2007-007306	R-CHIP;100ohm,1%,1/16W,TP,1005	4	SNA
...4		2007-007312	R-CHIP;20Kohm,1%,1/16W,TP,1005	1	SNA
...4		2007-007317	R-CHIP;2.2Kohm,1%,1/16W,TP,1005	6	SA
...4		2007-007318	R-CHIP;1Kohm,1%,1/16W,TP,1005	8	SNA
...4		2007-007319	R-CHIP;390ohm,1%,1/16W,TP,1005	1	SNA
...4		2007-007517	R-CHIP;240ohm,1%,1/16W,TP,1005	4	SNA
...4		2007-007528	R-CHIP;1.5Kohm,1%,1/16W,TP,1005	1	SNA
...4		2007-007617	R-CHIP;2.49Kohm,1%,1/10W,TP,1608	1	SA
...4	R8	2007-007721	R-CHIP;560ohm,1%,1/10W,TP,1608	1	SA
...4		2007-007766	R-CHIP;2Kohm,1%,1/16W,TP,1005	2	SNA
...4		2007-007797	R-CHIP;44.2ohm,1%,1/10W,TP,1608	2	SA
...4		2007-007834	R-CHIP;16.5Kohm,1%,1/10W,TP,1608	3	SA
...4	MR11	2007-008015	R-CHIP;75ohm,1%,1/16W,TP,1005	2	SNA
...4		2007-008070	R-CHIP;130ohm,1%,1/10W,TP,1608	1	SNA
...4		2007-008175	R-CHIP;330ohm,1%,1/16W,TP,1005	1	SNA
...4		2007-008213	R-CHIP;4.3Kohm,1%,1/16W,TP,1005	3	SNA
...4		2007-008263	R-CHIP;3Kohm,1%,1/16W,TP,1005	3	SNA
...4		2007-008649	R-CHIP;220ohm,1%,1/16W,TP,1005	1	SNA
...4		2007-009853	R-CHIP;1.6Kohm,1%,1/16W,TP,1005	1	SNA
...4		2011-001264	R-NETWORK;10ohm,5%,1/16W,L,CHIP,8P,TP,2.	3	SNA
...4	HRP2	2011-001344	R-NETWORK;100ohm,5%,1/16W,L,CHIP,8P,TP,2	13	SA
...4		2011-001345	R-NETWORK;10Kohm,5%,1/16W,L,CHIP,8P,TP,2	1	SA
...4	DC30	2203-000138	C-CER,CHIP;1.5nF,10%,50V,X7R,TP,1005	7	SA
...4	PC43	2203-000233	C-CER,CHIP;0.1nF,5%,50V,C0G,TP,1005	14	SNA
...4	MC2	2203-000254	C-CER,CHIP;10nF,10%,16V,X7R,TP,1005	6	SA
...4	DC93	2203-000311	C-CER,CHIP;0.12nF,5%,50V,C0G,TP,1005	6	SA
...4	DC1	2203-000386	C-CER,CHIP;0.015nF,5%,50V,C0G,TP,1005	7	SA
...4	MC302	2203-000425	C-CER,CHIP;0.018nF,5%,50V,C0G,TP,1005	2	SA
...4	C507	2203-000489	C-CER,CHIP;2.2nF,10%,50V,X7R,TP,1005	5	SNA
...4	AD480	2203-000585	C-CER,CHIP;0.22nF,10%,50V,X7R,TP,1005	2	SNA
...4	MC9	2203-000627	C-CER,CHIP;0.022nF,5%,50V,C0G,TP,1005	4	SNA
...4	MC303	2203-000643	C-CER,CHIP;0.024nF,5%,50V,C0G,TP,1005	2	SA
...4	AD480	2203-000714	C-CER,CHIP;3.3nF,10%,50V,X7R,TP,1005	4	SNA
...4	JC31	2203-000715	C-CER,CHIP;3.3nF,10%,50V,X7R,TP,1608	12	SNA
...4	C612	2203-000726	C-CER,CHIP;3.9nF,10%,50V,X7R,TP,1608	2	SA
...4	DC25	2203-000812	C-CER,CHIP;0.033nF,5%,50V,C0G,TP,1005	17	SNA
...4	6MC22	2203-000975	C-CER,CHIP;47nF,10%,25V,X7R,TP,1608	2	SNA

## Exploded Views and Parts List

Level	Loc.	Part Code	Description & Specification	Qty.	SA/SNA
...4	AC35	2203-001239	C-CER,CHIP;0.082nF,5%,50V,NP0,TP,1005	3	SNA
...4	C525	2203-001634	C-CER,CHIP;33nF,10%,50V,X7R,TP,1608	12	SNA
...4	AD480	2203-002285	C-CER,CHIP;10nF,10%,50V,X7R,TP,1005	12	SNA
...4	AD480	2203-002720	C-CER,CHIP;10nF,10%,25V,X7R,TP,1005,0.5T	6	SNA
...4	C711	2203-002982	C-CER,CHIP;6.8nF,10%,50V,X7R,TP,1005	2	SA
...4	AD480	2203-005083	C-CER,CHIP;220nF,10%,50V,X7R,TP,1608,0.8	4	SA
...4	DC18	2203-005138	C-CER,CHIP;1.8nF,10%,50V,X7R,TP,1005	4	SA
...4	AD480	2203-005158	C-CER,CHIP;0.0022nF,0.25pF,50V,NP0,TP,10	2	SNA
...4	C24	2203-005565	C-CER,CHIP;1nF,5%,50V,C0G,TP,1608	2	SA
...4	AD480	2203-005968	C-CER,CHIP;4.7nF,10%,50V,X7R,TP,1005,0.5	6	SNA
...4	C239	2203-006047	C-CER,CHIP;33nF,10%,16V,X7R,TP,1005	3	SA
...4	C510	2203-006170	C-CER,CHIP;220nF,10%,16V,X7R,TP,1608	3	SNA
...4	AD480	2203-006257	C-CER,CHIP;470nF,10%,6.3V,X5R,TP,1005,0.	2	SNA
...4	AD480	2203-006260	C-CER,CHIP;220nF,10%,10V,X5R,TP,1005,-	8	SNA
...4	AD480	2203-006320	C-CER,CHIP;2200nF,10%,16V,X7R,TP,2012	2	SNA
...4	C802	2203-006348	C-CER,CHIP;1000nF,10%,25V,X5R,TP,1608,0.	28	SA
...4	AD480	2203-006377	C-CER,CHIP;4700nF,10%,25V,X5R,TP,2012	1	SNA
...4	AD480	2203-006391	C-CER,CHIP;1000nF,10%,10V,X7R,TP,1608	3	SNA
...4	AD480	2203-006399	C-CER,CHIP;1000nF,10%,6.3V,X5R,TP,1005	15	SA
...4	HE4	2203-006474	C-CER,CHIP;22000nF,20%,6.3V,X5R,TP,2012	18	SA
...4	HDC11	2203-006562	C-CER,CHIP;1000nF,10%,10V,X5R,TP,1005	3	SNA
...4	AD480	2203-006698	C-CER,CHIP;1000nF,10%,25V,X7R,TP,1608,0.	1	SA
...4	AD480	2203-006838	C-CER,CHIP;2200nF,10%,6.3V,X5R,TP,1005	1	SA
...4	C23	2203-006890	C-CER,CHIP;10000nF,20%,6.3V,X5R,TP,1608	16	SNA
...4	C390	2203-006977	C-CER,CHIP;47000nF,10%,16V,X5R,TP,3225	2	SA
...4	AD480	2203-006992	C-CER,CHIP;0.33nF,5%,50V,C0G,TP,1005	15	SNA
...4	AD480	2203-007176	C-CER,CHIP;10000nF,10%,16V,X5R,TP,2012,1	5	SNA
...4	AD480	2203-007230	C-CER,CHIP;47000nF,20%,6.3V,X5R,TP,2012,	5	SNA
...4	AD480	2203-007338	C-CER,CHIP;470nF,10%,100V,X7R,TP,3225	4	SNA
...4	AD480	2203-007544	C-CER,CHIP;100nF,10%,50V,X7R,TP,1005	6	SA
...4	AD480	2203-008096	C-CER,CHIP;2200nF,10%,50V,X5R,TP,2012,1.	1	SA
...4	VE12	2402-000204	C-AL,SMD;10UF,20%,16V,WT,TP,4.3X4.3X5.4	7	SA
...4	C	2402-001160	C-AL,SMD;330UF,20%,16V,WT,TP,1008	3	SNA
...4	CEC02	2402-001178	C-AL,SMD;10uF,20%,16V,WT,TP,4.3x4.3x5.8m	2	SA
...4	AVE04	2402-001184	C-AL,SMD;47UF,20%,16V,WT,TP,6.6X6.6X6MM	1	SA
...4		2402-001185	C-AL,SMD;2.2UF,20%,50V,WT,TP,4.3X4.3X6MM	2	SA
...4	C	2402-001314	C-AL,SMD;100uF,20%,16V,WT,TP,6x5.8mm	1	SA
...4	HR8	2703-000166	INDUCTOR-SMD;2.7uH,5%,3225	2	SA
...4		2703-000175	INDUCTOR-SMD;270nH,10%,1608	1	SA
...4		2703-002204	INDUCTOR-SMD;22nH,5%,1005	1	SA

Level	Loc.	Part Code	Description & Specification	Qty.	SA/SNA
...4	T0052	2703-003790	INDUCTOR-SMD;4.7uH,20%,8080	3	SA
...4		2703-003937	INDUCTOR-SMD;1uH,20%,7.0x6.47x3.0mm	1	SA
...4	X202	2801-003843	CRYSTAL-SMD;18.432MHz,30ppm,SMD,20pF,50o	1	SA
...4	X202	2801-003856	CRYSTAL-SMD;0.032768MHz,20ppm,28-ACP,7pF	1	SNA
...4	CF2	2801-004655	CRYSTAL-SMD;25MHz,50ppm,SX-3,18pF,25ohm,	1	SA
...4	X202	2801-004775	CRYSTAL-SMD;12MHz,30ppm,16pF,30ohm,TP	1	SNA
...4		2801-004932	CRYSTAL-SMD;25MHz,30ppm,SMD,12pF,40ohm,T	1	SA
...4		2801-004938	CRYSTAL-SMD;24.000000MHz,20ppm,SMD,12pF,	1	SNA
...4	T0122	2802-001196	RESONATOR-CERAMIC;10MHz,0.5%,TP,3.2x1.3x	1	SNA
...4	F103	2901-001302	FILTER-EMI SMD;20V,0.3A,0pF,2.0x1.2x1.3m	2	SNA
...4	T0568	3301-001594	BEAD-SMD;90ohm,2.0*1.2*1.3mm,TP,-,-	1	SNA
...4	S.N.A	3301-001808	BEAD-SMD;120ohm,1005,TP,530ohm/390MHz,12	16	SA
...4		3701-001792	CONNECTOR-HDMI;19P,2ROW,FEMALE,ANGLE,AU	3	SA
...4	AC510	3708-002140	CONNECTOR-FPC/FFC/PIC;5P,1mm,SMD-S,SnPb,	2	SNA
...4		3708-002908	CONNECTOR-FPC/FFC/PIC;40P,0.5mm,SMD-S,0.	1	SA
...4	CN906	3711-007346	CONNECTOR-HEADER;BOX,18P,1R,0.6mm,SMD-A,	1	SA
...4	EH01	3711-008064	HEADER-BOARD TO CABLE;BOX,20P,1R,1.25mm,	1	SNA
...4	EH01	3711-008101	HEADER-BOARD TO CABLE;BOX,4P,1R,1.25mm,S	1	SA
...4		AH41-01468A	PCB MAIN;HT-E6730W,FR-4,4,00,1.6T,287x16	1	SNA
...4		AH97-08246A	ASSY MICOM-NANDFLASH IC;HT-E6730W,AH,KLM	1	SNA
....5		1107-002088	IC-NAND FLASH;KLM2G1HE3F-B001,2GByte,16G	1	SNA
...4		AH97-08247A	ASSY MICOM-NOR FLASH;HT-E6730W,AH,W25Q16	1	SNA
....5		1107-001916	IC-NOR FLASH;W25Q16BVSSIG,16Mbit,2Mbitx8	1	SNA
...4		AH97-08248A	ASSY MICOM-MICOM IC;HT-E6730W,AH,LC87F5W	1	SNA
....5		0903-001721	IC-MICROCONTROLLER;LC87F5WC8A,100P,14x20	1	SNA
...4		AH97-08333A	ASSY MICOM;HT-E5500,AH94-02882E	1	SNA
....5		1205-004431	IC-REPEATER;EP92A2S,LQFP,128P,14x14mm,PL	1	SNA
..3	T0066	BN62-00072A	HEAT SINK-ES;40*40*2.5,A6063,T2.6,TAPE,N	1	SNA
..2		AH94-02872A	ASSY PCB FRONT-PBA;HT-E6XXX,ALL	1	SA
..3		0202-001608	SOLDER-WIRE FLUX;LFC7-107,D0.8,99.3Sn/0.	0	SNA
..3		0202-001768	SOLDER-BAR;HSE-16,S60S-20,D3,SN/0.5CU/0.	3	SNA
..3		0204-002514	THINNER;TS4500,OXIGEN,NO,13.15KG,14KG/BO	3	SNA
..3		0204-002606	FLUX;LF-715K,OXIGEN,NO,16000L,14%,16kg,G	2	SNA
..3	RM701	0609-001202	MODULE REMOCON;HORIZONTAL,12.4mm,TR	1	SA
..3	EV01	AH07-00278A	VF DISPLAY;006BT359GNK,HT-E6500 (LEAD:9.	1	SNA
..3	AH410	AH61-03368A	HOLDER-VFD;HT-E6500,ABS,BLACK	1	SNA
..3	AF020	AH63-02615A	FILTER-VFD;HT-E6500,PC,1MM,VIOLET,TRANSP	1	SA
..3		AH97-08276A	ASSY SMD-FRONT;HT-E6XXX,ALL,AH94-02872A	1	SNA
...4	S.N.A	0202-001459	SOLDER-CREAM;S3X58-M405,D20~38um,96.5Sn/	1	SNA
...4	D1	0401-001099	DIODE-SWITCHING;1N4148WS,75V,150mA,SOD-3	4	SA

Exploded Views and Parts List

Level	Loc.	Part Code	Description & Specification	Qty.	SA/SNA
...4	D0254	0402-000511	DIODE-SCHOTTKY;SS14,40V,1000MA,DO-214AC,	2	SNA
...4		0403-000489	DIODE-ZENER;MMSZ5228B,5%,500MW,SOD-123,T	1	SA
...4		0501-002651	TR-SMALL SIGNAL;KTC4378,NPN,500mW,SOT-89	2	SA
...4	EL02	0601-002733	LED;SMD(TOP VIEW),WHT,3.5x2.8x1.8mm,3.5x	1	SA
...4		1003-002386	IC-VFD;PT6325,QFN,48P,6x6mm,-40 to 20mA,	1	SNA
...4		1405-001306	VARISTOR;11Vdc,45A,0603,TP,50V	2	SA
...4	PR6	2007-000072	R-CHIP;47ohm,5%,1/10W,TP,1608	1	SNA
...4	R3A08	2007-000091	R-CHIP;12Kohm,5%,1/10W,TP,1608	1	SNA
...4	R105	2007-000138	R-CHIP;100ohm,5%,1/16W,TP,1005	3	SA
...4	R104	2007-000148	R-CHIP;10Kohm,5%,1/16W,TP,1005	2	SA
...4		2007-000161	R-CHIP;82Kohm,5%,1/16W,TP,1005	1	SNA
...4	R338	2007-000173	R-CHIP;22ohm,5%,1/16W,TP,1005	4	SNA
...4	UR23	2007-000174	R-CHIP;47ohm,5%,1/16W,TP,1005	1	SNA
...4	MR112	2007-000309	R-CHIP;10ohm,5%,1/10W,TP,1608	1	SNA
...4	AR48	2007-000431	R-CHIP;16Kohm,5%,1/10W,TP,1608	4	SNA
...4	R419	2007-000882	R-CHIP;4.7ohm,5%,1/10W,TP,1608	3	SA
...4	DAR09	2011-001262	R-NETWORK;22ohm,5%,1/16W,L,CHIP,8P,TP,2.	1	SA
...4	C254	2203-000438	C-CER,CHIP;1nF,10%,50V,X7R,TP,1005	2	SNA
...4	AD480	2203-002050	C-CER,CHIP;47nF,10%,50V,X7R,TP,1608	1	SA
...4	AC2	2203-002711	C-CER,CHIP;100nF,10%,25V,X7R,TP,1608	1	SA
...4	AD480	2203-005055	C-CER,CHIP;0.0056nF,0.25pF,50V,NP0,TP,10	1	SA
...4	AAC1	2203-005249	C-CER,CHIP;100nF,10%,50V,X7R,TP,1608	3	SNA
...4	C236	2203-005918	C-CER,CHIP;1000nF,10%,6.3V,X7R,TP,1608	3	SA
...4	VC37	2203-006048	C-CER,CHIP;100nF,10%,10V,X7R,TP,1005	1	SA
...4	C102	2203-006158	C-CER,CHIP;100nF,10%,16V,X7R,TP,1005,0.5	1	SA
...4	C125	2203-006361	C-CER,CHIP;10000nF,10%,10V,X5R,TP,2012	3	SC
...4	AD480	2203-007306	C-CER,CHIP;10000nF,10%,25V,X5R,TP,2012,1	3	SNA
...4	AD480	2203-007513	C-CER,CHIP;10000nF,10%,10V,X5R,TP,1608,0	2	SA
...4	PE11	2402-001276	C-AL,SMD;47uF,20%,35V,TP,6.6x6.6x5.8mm	2	SNA
...4	L8	2703-000402	INDUCTOR-SMD;1uH,20%,3225	1	SA
...4	DR32	3301-000314	BEAD-SMD;120ohm,1608,TP,120ohm/100MHz	2	SNA
...4	T0568	3301-001404	BEAD-SMD;30ohm,2012,TP,15.9OHM/30MHz,-	1	SA
...4	AC510	3708-001618	CONNECTOR-FPC/FFC/PIC;5P,1mm,SMD-A,Sn-Pb	1	SA
...4	AC510	3708-001837	CONNECTOR-FPC/FFC/PIC;15P,1mm,SMD-S,SN,N	1	SA
...4	AC510	3708-002624	CONNECTOR-FPC/FFC/PIC;8P,0.5mm,SMD-A,AU,	1	SA
...4		AH11-00287A	IC MASK ROM-TOUCH SENSOR;HT-E6500-E6750W	1	SNA
...4		AH26-00389A	TRANS SWITCHING;DR1265,HT-E5500/E4500,DC	1	SA
...4		AH41-01469A	PCB PANEL-FRONT;HT-E6730W,CEM-3,2,00,1.6	1	SNA
...3	AS102	AK63-00927A	SHEET-POWER;BD-E6500,8500, HT-E6500,PC*,	1	SNA
1		AH91-00488B	ASSY SHIELD;HT-E6700	1	SNA

Level	Loc.	Part Code	Description & Specification	Qty.	SA/SNA
.2	FIL	0203-000007	TAPE-FILAMENT;T0.15,L55M,TRP,FILAMENT	0	SNA
.2	T0268	3903-000407	CBF-POWER CORD;AT,EU,CP2,HOUSING(2P),250	1	SA
.2	W391	6003-000275	SCREW-TAPTYPE;BH,+ ,B,M3,L10,ZPC(BLK),SWR	8	SA
.2	M0081	6003-001375	SCREW-TAPTYPE;BH,+ , - ,B,M3,L8,ZPC(WHT),SW	18	SA
.2	EC13	AH39-01184A	LEAD CONNECTOR;HT-E6730W,Shield Cable,UL	1	SA
.2	SNA	AH61-03366A	BRACKET-DECK;HT-E5500,EGI-SECC,T1.0	1	SNA
.2	FL06	AH96-01477G	ASSY CABLE P;HT-E5500,FFC,110mm,5P,1mm P	1	SA
.2		AH96-01622A	ASSY BOARD P-RF-MODULE;Bluetooth Module,	1	SA
.2	T001A	AH96-01642B	ASSY COVER P-TOP;HT-E6530/ZC,HT-E6500,PC	1	SA
..3	T001	AH63-02610A	COVER-TOP;HT-E6500,ABS+PC	1	SNA
..3	AS161	AH63-02738B	SHEET-TOP;HT-E6500,SHEET-GLASS,3,425.3,3	1	SNA
.2	FL06	AH96-01673A	ASSY CABLE P-FFC;HT-E6730W,FFC,190mm,15P	1	SA
.2		AH96-02030A	ASSY COVER P-BRACKET-SMPS;HT-E6730W,ZA	1	SNA
..3	AB315	AH61-03517A	BRACKET-SMPS;HT-E6730,EGI-SECC,0.5	1	SNA
..3		AH63-02605F	SHEET-INSULATOR;HT-E6730W,PC,0.5,114.5,2	1	SNA
.2		AK59-00138A	NETWORK-WLAN MODULE;DNUB-S234B,BCM43234B	1	SA
1		AH92-03988M	ASSY LABEL;HT-E6750W,ZF,XE,XN,EN,BHE6	1	SNA
.2		AH68-02432B	LABEL-POP TRANSPARANT STICKER;HT-E6500W/	1	SNA
.2		AH68-02465H	LABEL-POP STAND;HT-E6750W/ZF,SEF,ART PAP	1	SNA
.2		AK68-01986B	LABEL RATING-01;BD-D,WW,PET 0.05,50,23.5	1	SNA
1	ACCE1	AH92-03993T	ASSY ACCESSORY;HT-E6750W,EN,BHE6	1	SNA
.2	REMO2	AH59-02404A	REMOCON;TM1251,55KEY,3V,BD HTS, HT-ES620	1	SA
.2	M-CLEA	AH68-01984A	MANUAL-CLEANING;HT-X200,ART PAPER	1	SNA
.2	HT004	AH81-02286C	A/S-EYEGLOSS CLOTH;HT-TXQ120,POLY-BLOOTH	1	SNA
.2		AH96-00051C	ASSY MISC P-IPOD CRADLE;SJ11-01-045A,89X	1	SA
.2	ACCE4	AH96-01602T	ASSY ACCESSORY-MANUAL;HT-E6750W,EN,BHE6	1	SNA
..3		AH68-02387F	MANUAL USERS-01;SWA-5000,EN,ENG/FR/DE/IT	1	SNA
..3		AH68-02387G	MANUAL USERS-01;SWA-5000,EN,POL/HUN/SK/C	1	SNA
..3		AH68-02387H	MANUAL USERS-01;SWA-5000,EN,GRE/ROM/BUL/	1	SNA
..3		AH68-02464G	MANUAL;HT-E6750W,EN_1,ENG/FR/DE/IT,MOJO8	1	SNA
..3		AH68-02464H	MANUAL;HT-E6750W,EN_2,POL/HUN/SK/CZ/SLV,	1	SNA
..3		BN68-03548H	LEAFLET-01,WARRANTY CARD;comm,Samsung,16	1	SNA
.2		AH96-01632A	ASSY SPEAKER P-SUBWOOFER;3ohm,HT-E6730W,	1	SA
..3		AH69-03260A	CUSHION EPS-SUBWOOFER;HT-D6500W,EPS,250m	2	SNA
..3		AH82-00330A	A/S ASSY-SUBWOOFER;AV SPK, FOR HT-E6730,S	1	SNA
..4		AH81-07113A	SPEAKER-PE-BAG-8;PE-BAG, FOR DW1, DW2	1	SNA
..4		AH81-07381A	LABEL;AV SPK,LABEL,PS-EW4-1 Subwoofer,Vi	1	SNA
..4		AH82-00331A	A/S ASSY-SUBWOOFER;AV SPK, FOR HT-E6730,S	1	SNA
....5	T0081	6001-001547	SCREW-MACHINE;BH,+ ,M4,L10,ZPC(BLK),SWRCH	6	SNA
....5	T0081	6002-001294	SCREW-TAPPING;BH,+ ,M4,L16,ZPC(BLK)	12	SA

Exploded Views and Parts List

Level	Loc.	Part Code	Description & Specification	Qty.	SA/SNA
....5		AH59-02447A	SPEAKER SYSTEM-DRONE;AV SPK,FUIDR-00100,	1	SNA
....5		AH59-02456A	SPEAKER SYSTEM-WOOFER;AV SPK,10M037,EW4,	1	SNA
....5		AH61-03236A	FRAME-NET;PS-DW2,HIPS,BLACK,3t,350mm	1	SNA
....5	AC352	AH63-02324A	COVER-SIDE;PS-DW2,ABS+PMMA,3mm,278mm,bla	1	SNA
....5		AH64-05450A	PANEL-SIDE;PS-DW2,ABS+PMMA,3mm,390mm,350	1	SNA
....5	T0082	AH81-05228C	SCREW-M4X10 BLACK;AV SPK,M4X10mm,BLACK,H	1	SNA
....5		AH81-07130A	SPEAKER-TERMINAL;TERMINAL,SUBWOOFER,DIA	1	SNA
....5		AH81-07366A	SPEAKER-TRIANGLE BOARD;TRIANGLE BOARD,9t	4	SNA
....5		AH81-07377A	BOND-WOOD;AV SPK,Wood Bond,Subwoofer,Com	40	SNA
....5		AH81-07378A	BOND-PVC;AV SPK,PVC Bond,Subwoofer,Commo	38	SNA
....5		AH81-07379A	BOND-HOT MELT;AV SPK,Hot Melt,Subwoofer,	10	SNA
....5		AH81-07382A	SPEAKER-FRONT BOARD;FRONT BOARD 12t,for	1	SNA
....5		AH81-07383A	SPEAKER-REAR BOARD;REAR BOARD 12t,for PS	1	SNA
....5		AH81-07384A	SPEAKER-ENCLOSURE BOARD;Enclosure Board	1	SNA
....5		AH81-07515A	A/S PART-SPEAKER FOOT;FOOT_SW,SILICON,RO	4	SNA
.2		AH96-01759C	ASSY SPEAKER P-TALLBOY;3ohm,HT-E6750W,Ta	1	SNA
..3		AH68-02394K	LABEL-POP STICKER;HT-E6730W/ZA,SEA,SILVE	1	SNA
..3		AH69-03605A	CUSHION-TALLBOY;AV SPK, PS-E5550,EPS	2	SNA
..3		AH69-03673A	CUSHION-TALLBOY;AV SPK, PS-E6750W,EPS	2	SNA
..3	H039	AH81-05992A	SCREW-M5X15 MACHINE;AV SPK,M5X15mm,MACHI	16	SA
..3		AH81-07451A	SPEAKER-PE-BAG;PE-BAG,AV SPK,for TALLBOY	1	SNA
..3		AH82-00332F	A/S ASSY-SPEAKER CABLE;AV SPK,Speaker Ca	1	SNA
...4	SWRR10	AH81-05323A	SPEAKER-WIRE-REAR RIGHT;PS-X725,10M*2PIN	1	SA
...4	SWRL10	AH81-05324A	SPEAKER-WIRE-REAR LEFT;PS-X725,10M*2PIN	1	SA
...4	SWCE4	AH81-05325A	SPEAKER-WIRE-CENTER;PS-X725,3M*2PIN CLEA	1	SA
...4	SWWO4	AH81-05326A	SPEAKER-WIRE-SUBWOOFER;PS-X725,4M*2PIN C	1	SA
...4		AH81-07426A	SPEAKER-PE-BAG;PE-BAG,With 5.1ch Cable,1	1	SNA
..3		AH82-00358A	A/S ASSY-SATELLITE;AV SPK,FOR ET4,Front	2	SA
...4		AH82-00358C	A/S ASSY-SATELLITE;AV SPK,FOR ET4,Front	2	SNA
....5		AH59-02450A	SPEAKER SYSTEM-WOOFER;AV SPK,11L047,ES5-	2	SNA
....5		AH59-02451A	SPEAKER SYSTEM-DRONE;AV SPK,11L047,ES5-1	2	SNA
....5		AH59-02455A	SPEAKER SYSTEM-WOOFER;AV SPK,11M001,ET4-	2	SNA
....5		AH61-03384A	PLATE-BRACING TOP;AV SPK, PS-ET4,HIPS,3.	2	SNA
....5		AH61-03385A	PLATE-BRACING BTM;AV SPK, PS-ET4,HIPS,3.	2	SNA
....5		AH63-02642A	COVER-REAR TOP;AV SPK, PS-ET4,ABS+PMMA,3	2	SNA
....5		AH63-02647A	COVER-REAR SWIIVEL;AV SPK, PS-ET4,ABS+PM	2	SNA
....5		AH63-02648A	COVER-FRONT SWIVEL;AV SPK, PS-ET4,ABS+PM	2	SNA
....5		AH63-02649A	COVER-SPRING;AV SPK, PS-ET4,HIPS,3.0T,94	2	SNA
....5		AH63-02676A	COVER-UNIT DECO;AV SPK, PS-ET4,ABS+PMMA,	2	SNA
....5		AH81-07628A	SPEAKER-SPRING;AV SPK,STS304 10TURN,10*2	2	SNA

Level	Loc.	Part Code	Description & Specification	Qty.	SA/SNA
....5		AH81-07639A	SPEAKER-EVA;AV SPK,FOR Tallboy,EVA,300*1	2	SNA
....5		AH81-07640A	SPEAKER-EVA;AV SPK,FOR Tallboy,EVA,15*10	2	SNA
....5		AH81-07641A	SPEAKER-EVA;AV SPK,FOR Tallboy,EVA,300*6	2	SNA
....5		AH81-07642A	SPEAKER-EVA;AV SPK,FOR Tallboy,EVA,635*8	2	SNA
....5		AH81-07643A	SPEAKER-EVA;AV SPK,FOR Tallboy,EVA,35*25	2	SNA
....5		AH81-07723A	SPEAKER-INSERT NET + TOP;AV SPK,FOR Tall	2	SNA
....5		AH82-00315K	A/S ASSY-NETWORK;AV SPK,FOR ET4,Network,	2	SNA
....6		AH81-07423C	SPEAKER-NETWORK COIL;AV SPK,Network Coil	2	SNA
....6		AH81-07423D	SPEAKER-NETWORK COIL;AV SPK,Network Coil	2	SNA
....6		AH81-07425E	SPEAKER-CABLE;AV SPK,#24 220+50mm,Front	2	SNA
....6		AH81-07425F	SPEAKER-CABLE;AV SPK,#24 270mm,Front Rig	2	SNA
....6		AH81-07425G	SPEAKER-CABLE;AV SPK,#24 L=230m,Front Ri	2	SNA
....6		AH81-07425H	SPEAKER-CABLE;AV SPK,#24 240mm,Front Rig	2	SNA
....6		AH81-07425J	SPEAKER-CABLE;AV SPK,#24 170mm,Front Rig	2	SNA
....6		AH81-07425K	SPEAKER-CABLE;AV SPK,#24 270mm,Front Rig	2	SNA
....6		AH81-07435B	SPEAKER-NETWORK CONDENSER;AV SPK,Network	2	SNA
....6		AH81-07629A	SPEAKER-PCB NETWORK;AV SPK,PCB Network,7	2	SNA
....6		AH81-07630A	SPEAKER-NETWORK R;AV SPK,Network R,4.5 o	2	SNA
..3		AH82-00485C	A/S ASSY-TALLBOY;AV SPK,FOR ET3-2,Half T	1	SA
...4		AH81-07428C	LABEL;AV SPK,LABEL,PS-ET3-1 Rear Left,BI	1	SNA
..3		AH82-00485D	A/S ASSY-TALLBOY;AV SPK,FOR ET3-2,Half T	1	SA
...4		AH81-07129A	SPEAKER-TALLBOY CAUTION LABEL;CAUTION LA	1	SNA
...4		AH81-07429C	LABEL;AV SPK,LABEL,PS-ET3-1 Rear Right,G	1	SNA
...4		AH81-07559A	SPEAKER-PE-BAG;PE-BAG,AV SPK,for TALLBOY	1	SNA
...4		AH81-07560A	SPEAKER-PE-BAG;PE-BAG,AV SPK,for TALLBOY	1	SNA
...4		AH82-00491A	A/S ASSY-TALLBOY;AV SPK,FOR ET3-2,Half T	1	SNA
....5		AH59-02445A	SPEAKER SYSTEM-TWEETER;AV SPK,U016L03SSK	1	SNA
....5		AH59-02449A	SPEAKER SYSTEM-WOOFER;AV SPK,11L064,ES3-	1	SNA
....5		AH59-02453A	SPEAKER SYSTEM-DRONE;AV SPK,11L065,ET3-2	1	SNA
....5		AH61-03094A	CASE-REAR TOP;PS-C250,HIPS,2.7mm,89,509	1	SNA
....5	AD150	AH64-05239A	DECORATION-FRONT;PS-C370,ABS,2.8T,94,10,	1	SNA
....5		AH64-05295A	PANEL FRONT-TOP;PS-C250,ABS,2.7mm,89,509	1	SNA
....5		AH67-00561A	PARTITION-MIDDLE;PS-C370,HIPS,2.8T,83,56	1	SNA
....5		AH81-07339B	SPEAKER-EVA;AV SPK,FOR Tallboy,EVA,300*8	6	SNA
....5		AH82-00315D	A/S ASSY-NETWORK;AV SPK,FOR ET3,Network,	1	SNA
....6		AH81-07425B	SPEAKER-CABLE;AV SPK,AWG 24, 300mm,Front	1	SNA
..3		AH82-00503A	A/S ASSY-STAND BTM;AV SPK,FOR ET4,Left,S	1	SA
...4		AH81-07430A	LABEL;AV SPK,LABEL,PS-ET4-1 Front Left,W	1	SNA
...4		AH81-07632A	SPEAKER-CABLE;AV SPK,UL2468 #24 5m,Front	1	SNA
..3		AH82-00503B	A/S ASSY-STAND BTM;AV SPK,FOR ET4,Right,	1	SA

Exploded Views and Parts List

Level	Loc.	Part Code	Description & Specification	Qty.	SA/SNA
...4		AH63-02645A	COVER-FRONT BTM;AV SPK, PS-ET4,ABS+PMMA,	1	SNA
...4		AH63-02675A	COVER-DECO;AV SPK, PS-ET4,ABS+PMMA,3.0T,	1	SNA
...4		AH81-07431A	LABEL;AV SPK,LABEL,PS-ET4-1 Front Right,	1	SNA
...4		AH81-07631A	SPEAKER-CABLE;AV SPK,UL2468 #24 5m,Front	1	SNA
...4		AH81-07633A	SPEAKER-PE-BAG;PE-BAG,Speaker CABLE,450*	1	SNA
...4		AH81-07717A	SPEAKER-INSERT NET + STAND BTM;AV SPK,FO	1	SNA
...3		AH82-00504A	A/S ASSY-STAND BTM;AV SPK,FOR ET3,Common	2	SA
...4		AH61-03383A	PLATE-WIRE;AV SPK, PS-ET3,ABS+PMMA,3.0T,	2	SNA
...4		AH63-02638A	COVER-FRONT BTM;AV SPK, PS-ET3,ABS+PMMA,	2	SNA
...4		AH63-02641A	COVER-DECO;AV SPK, PS-ET3,ABS+PMMA,3.0T,	2	SNA
...4		AH81-07716A	SPEAKER-INSERT NET + STAND BTM;AV SPK,FO	2	SNA
.2		AH96-01760A	ASSY SPEAKER P-STAND/CENTER;3ohm,HT-E675	1	SNA
...3		AH69-03688A	CUSHION-STAND;AV SPK, PS-E6750W,EPS	2	SNA
...3		AH82-00316B	A/S ASSY-SATELLITE;AV SPK,FOR HT-E6730,C	1	SA
...4		AH81-07360B	LABEL;AV SPK,LABEL,PS-EC2-2 Center,Green	1	SNA
...4		AH81-07363A	SPEAKER-PE-BAG;PE-BAG,LDPE,170 x 460 x 0	1	SNA
...4		AH82-00317B	A/S ASSY-SATELLITE;AV SPK,FOR HT-E6730,E	1	SNA
....5	W391	6003-000275	SCREW-TAPTYPE;BH,+,B,M3,L10,ZPC(BLK),SWR	13	SA
....5		AH59-02448A	SPEAKER SYSTEM-WOOFER;AV SPK,11L049,EC3-	2	SNA
....5		AH59-02452A	SPEAKER SYSTEM-TWEETER;AV SPK,11L032,ES5	1	SNA
....5	M0112	AH63-02079A	COVER-FRONT C1;PS-DC1,ABS,3.0T,BLACK,C1	1	SNA
....5		AH64-05260A	PANEL-REAR DC1;PS-DC1,HIPS,3.0T,BLACK,C1	1	SNA
....5		AH81-04849A	SPEAKER-SILICON FOOT;AV SPK,Silicon Foot	2	SNA
....5		AH81-07339A	SPEAKER-EVA;AV SPK,FOR HT-E350,EVA,200 X	5	SNA
....5		AH81-07447A	SPEAKER-TERMINAL;AV SPK,TERMINAL,24X14mm	1	SNA
....5		AH81-07513A	SPEAKER-INSERT NUT;Insert Nut,AV SPK,8 p	1	SNA
....5		AH82-00315B	A/S ASSY-NETWORK;AV SPK,FOR HT-E5500,Net	1	SNA
....6	H001	AH81-05535C	SPEAKER-SHRINK TUBE;Insulator pipe,part	2	SNA
....6		AH81-07423A	SPEAKER-NETWORK COIL;AV SPK,Network Coil	1	SNA
....6		AH81-07435A	SPEAKER-NETWORK CONDENSER;AV SPK,Network	1	SNA
....6		AH81-07445A	SPEAKER-CABLE;AV SPK,AWG 24, 300/50mm,Ce	1	SNA
....6		AH81-07446A	SPEAKER-SPONGE;AV SPK,800 x 25 x 3T	1	SNA
...3		AH82-00361A	A/S ASSY-STAND/CENTER;AV SPK,FOR ET3,Sta	2	SA
...4		AH61-03429A	STAND-CEMENT;AV SPK, PS-ET3,ABS,3.0T,BLA	2	SNA
...4	SC05	AH63-02640A	COVER-STAND;AV SPK, PS-ET3,ABS+PMMA,3.0T	2	SNA
...4		AH81-07561A	SPEAKER-PE-BAG;PE-BAG,AV SPK,for TALLBOY	2	SNA
...4		AH81-07562A	SPEAKER-FOOT;Foot,AV SPK,for TALLBOY ET3	8	SNA
...3		AH82-00362A	A/S ASSY-STAND/CENTER;AV SPK,FOR E56730,	2	SA
...4		AH61-03430A	STAND-CEMENT;AV SPK, PS-ET4,ABS,3.0T,BLA	2	SNA
...4	SC05	AH63-02646A	COVER-STAND;AV SPK, PS-ET4,ABS+PMMA,3.0T	2	SNA



Level	Loc.	Part Code	Description & Specification	Qty.	SA/SNA
..2	ACCE2	AH96-01767G	ASSY ACCESSORY-CABLE;HT-E6750W,EN,BHE6	1	SNA
..3	VS062	3301-000144	CORE-FERRITE;34.5x12.5x32.5mm,1500,2800G	1	SNA
..3	T0685	4301-000116	BATTERY-ALKALINE;1.5V,R03,10.5x44.5mm,AA	2	SNA
..3	T0524	6902-000287	BAG PE;LDPE,T0.05,W100,L120,TRP,0.000688	1	SNA
..3	EM02	AH30-00099A	MICROPHONE-ASSY-ASC MIC;10V,150 to 450uA	1	SA
..3	C-AUD	AH39-40001V	CBF CABLE-VIDEO;-,-,1P-1P,3000mm,-,-,-,Y	1	SA
..3	M0025	AH42-00021A	ANT FM T;T18011F-1,75 ohm,1800mm	1	SA
..3		AH63-02236D	SHEET-PEBAG;ALL MODEL,PE*,0.2,CLEAR	1	SNA
..3		AH68-02464J	MANUAL;HT-E6750W,EN_3,GRE/ROM/BUL/SER/CR	1	SNA
..2		AH96-02134A	ASSY MISC P-KITTING;SWA-5000,EN/XE/ZF/TK	1	SNA
..3	FL261	3809-002516	FFC CABLE-FLAT;30V,80C,90mm,24P,0.5mm,UL	1	SA
..3	T0268	3903-000407	CBF-POWER CORD;AT,EU,CP2,HOUSING(2P),250	1	SA
..3	W384	6002-000126	SCREW-TAPPING;FH,+,-,2S,M3,L10,ZPC(BLK),	3	SA
..3	W390	6003-000276	SCREW-TAPTYPE;BH,+,-,B,M3,L10,ZPC(WHT),S	5	SA
..3	W275	6003-001561	SCREW-TAPTYPE;BH,+,-,B,M3,L6,ZPC(WHT),SW	1	SA
..3	EC13	AH39-01087B	LEAD CONNECTOR;SWA5000,UL10368#26TA,4,60	1	SNA
..3	MOD2	AH40-00163A	RF MODULATOR;NAM-WM50 (SAMSUNG),DSSS,10d	1	SA
..3	MOD1	AH40-00164B	RF MODULATOR;NAM-WM52,DSSS,10dBm,3.3~5V,	1	SA
..3		AH63-01301D	SHEET-SET;MM-C330,HDPE+NITRON,0.52,W630,	1	SNA
..3	SHT4	AH63-01919C	SHEET-WIRELESS;hw-c450,PC,0.2,W 61.2,L11	1	SNA
..3	AS503	AH63-02117B	SHEET-LENS;SWA-5000,PC,0.5,NTR	2	SNA
..3	RC04	AH64-05268A	CABINET-LEFT;SWA-5000,ABS,2.6,152,220,BL	1	SA
..3	AC850	AH64-05270A	CHASSIS-PCB;SWA-5000,EGI-SECC,0.6,108,20	1	SNA
..3		AH68-01929L	LABEL RATING;SWA-5000,ALL,SILVER PET,0.1	1	SNA
..3	AL006	AH68-01981J	LABEL-CAUTION;SWA-5000,XEU,SILVER PET,0.	1	SNA
..3		AH68-02341Q	LEAFLET;SWA-5000,Europe,22 language,MOJO	1	SNA
..3		AH68-50254B	LABEL-SERIAL;-,-,TETRON,T0.1,W42,L10,-,-	1	SNA
..3	AP028	AH69-02916B	PAD-THERMAL;SWA-5000,RUB-OTH,2.0,6,46,BL	1	SNA
..3		AH69-02919B	CUSHION-SET;SWA-5000,25,310,360,50	1	SNA
..3	SWSWA	AH81-02137A	A/S PART-SPEAKER WIRE;SWA-3000,Speaker W	1	SA
..3	MA02A	AH94-02417A	ASSY PCB AMP;SWA5000,ASSY PCB AMP,200 X	1	SA
...4		0201-001059	ADHESIVE-SIL;#9590,WHT,CARTRIGE	0	SNA
...4		0201-001082	ADHESIVE-TS;1603HFR-HS,YEL,1800 - 2200CP	3	SNA
...4		0205-001278	GREASE;T4110	0	SNA
...4	SBD5	0402-001258	DIODE-BRIDGE;GBU606,600V,6A,SIP-4,BK	1	SA
...4	DR01A	0402-001889	DIODE-RECTIFIER;SFAF804G,200V,8A,ITO-220	2	SNA
...4		0502-001176	TR-POWER;KTC2026,NPN,2000mW,TO-220IS,ST,	1	SA
...4		0505-001815	FET-SILICON;SPA11N60C3,N,600V,11A,0.38,3	1	SNA
...4	PICS1	0604-001028	PHOTO-COUPLER;TR,50-600%,250mW,DIP-4,ST	3	SC
...4	U3	1203-000119	IC-NEGA.FIXED REG.;7905,TO-220,3P,PLASTI	1	SNA

Exploded Views and Parts List

Level	Loc.	Part Code	Description & Specification	Qty.	SA/SNA
...4	T0087	1203-001006	IC-POSIFIXED REG.;78R05,TO-220F,4P,-,PL	1	SNA
...4	T0086	1203-005211	IC-PWM CONTROLLER;ICE3BR4765J,DIP,8P,9.4	1	SA
...4	T0086	1203-006090	IC-PWM CONTROLLER;ICE2QS03,DIP,8P,9.52x6	1	SA
...4	T0900	1404-001195	THERMISTOR-NTC;5.1ohm,3.84A,3000K,21mW/C	1	SA
...4		1405-000152	VARISTOR;560V,455Vdc,2500A,14x8.5mm,TP,9	1	SA
...4	PCD02	2201-000963	C-CERAMIC,DISC;1nF,20%,400V,Y5U,9.5x6mm,	3	SNA
...4		2201-002070	C-CERAMIC,DISC;1.5nF,20%,400V,Y5U,11x6mm	1	SNA
...4		2301-001730	C-FILM,MPEF;470nF,10%,275V,BK,11x18x18.5	1	SNA
...4		2301-001788	C-FILM,MPEF;220nF,10%,275V,BK,18x7.5x13.	1	SA
...4	C	2401-003069	C-AL;470uF,20%,50V,WT,TP,10x20mm,5	2	SA
...4	C1S41	2401-003785	C-AL;1000UF,20%,16V,WT,TP,10X20MM,5	2	SNA
...4	WE08	2401-003850	C-AL;1000UF,20%,50V,WT,TP,12.5 X 25,5	2	SNA
...4	C	2401-004447	C-AL;680uF,20%,50V,LZ,TP,12.5x25mm,5mm	2	SNA
...4	C	2401-004723	C-AL;220uF,20%,450V,BK,30*25,10mm	1	SNA
...4	T0313	3404-001278	SWITCH-TACT;12V DC,50mA,160gf,7.5x10.6x7	1	SNA
...4	CN1	3711-000028	HEADER-BOARD TO CABLE;BOX,4P,1R,2MM,STRA	1	SA
...4	PCNS2	3711-000203	HEADER-BOARD TO CABLE;1WALL,2P/3P,1R,7.9	1	SA
...4	T0415	3716-001495	TERMINAL-BLOCK;WIRE TYPE,2P,4.5mm	1	SA
...4	W390	6003-000276	SCREW-TAPTYPE;BH,+,-,B,M3,L10,ZPC(WHT),S	6	SA
...4	MPIC1	AH14-10003E	IC;KIA7812PI,TO-220	1	SA
...4		AH26-00372A	TRANS SWITCHING;ER3541,SWA-5000,PS-WC450	1	SA
...4		AH26-00373A	TRANS SWITCHING;EE1614,SWA-5000,PS-WC450	1	SA
...4		AH27-00080A	COIL FILTER;1016P-02-180L,18uH,30mohm,19	2	SNA
...4	LF2_1	AH29-00016B	FILTER LINE;HT-Z320,TR16 4.0mH,0.08,-,4.	2	SA
...4	AH260	AH61-02854A	HOLDER-HEATSINK;HT-BD1250,HIPS V0,2.0mm,	2	SNA
...4	AH020	AH62-00204A	HEAT SINK;HT-Z320,A6063S-T5,-,15,11,SILV	3	SNA
...4	AH020	AH62-00225A	HEAT SINK;SWA-5000,A6063,22,37,60,SILVER	1	SNA
...4	HSD11A	AH62-30122A	HEAT SINK-POWER;DVD-860,A6063S-T5,T1.3,W	1	SNA
...4	L-STIC	AH68-50254F	LABEL-STICKER;ALL,ALL,T0.1,W40,L7,ART-PA	1	SNA
...4	AP028	AH69-02916A	PAD-THERMAL;SWA-5000,RUB-OTH,1.0,5.8,28,	1	SNA
...4		AH97-04109A	ASSY AUTO-SMD AMP;SWA-5000	1	SNA
....5	KD2	0401-000005	DIODE-SWITCHING;1N4148,75V,150mA,DO-35,T	1	SA
....5	PDS11	0402-000012	DIODE-RECTIFIER;UF4007,1000V,1A,DO-41,TP	2	SA
....5	D1S40	0402-000351	DIODE-RECTIFIER;1N4937,600V,1A,DO-41,TP	1	SA
....5	D0254	0404-001409	DIODE-SCHOTTKY;SR2A0,100V,2000mA,DO-15,T	4	SA
....5	IC012	1203-001217	IC-POSIAJUST REG.;431,TO-92,3P,4.58MIL	2	SA
....5	R1	2002-001115	R-COMPOSITION;1.5Mohm,5%,1/2W,AA,TP,4x12	1	SA
....5	PRS13	2003-000994	R-METAL OXIDE(S);33Kohm,5%,2W,AF,TP,3.9x	2	SA
....5		2003-001042	R-METAL OXIDE(S);5.6Kohm,5%,2W,AF,TP,3.9	6	SA
....5	R9	2003-002239	R-METAL OXIDE(S);100Kohm,5%,2W,AF,TP,3.9	1	SA

Level	Loc.	Part Code	Description & Specification	Qty.	SA/SNA
....5		2003-002454	R-METAL OXIDE;0.22ohm,5%,1W,AF,TP,3.8x10	2	SA
....5	PSCZ2	2201-000129	C-CERAMIC,DISC;1nF,10%,1000V,Y5P,TP,7x4	1	SNA
....5		2201-000551	C-CERAMIC,DISC;0.47nF,10%,1000V,Y5P,6.3x	1	SNA
....5	1SC07	2201-002065	C-CERAMIC,DISC;.047nF,10%,1000V,SL,TP,6.	1	SNA
....5		2301-001760	C-FILM,MPEF;100nF,10%,250V,TP,B5xH13.5x1	2	SNA
....5	WC31	2305-000407	C-FILM,LEAD-PEF;470nF,5%,100V,TP,10.5x6x	2	SA
....5	CY5	2305-001016	C-FILM,LEAD-PEF;10nF,10%,630V,TP,12.5x6.	3	SNA
....5	C	2401-000287	C-AL;100uF,20%,16V,WT,TP,6.3x11,5	2	SA
....5	C	2401-000480	C-AL;10uF,20%,50V,GP,TP,5x11,5	1	SNA
....5	C	2401-000970	C-AL;22uF,20%,50V,WT,TP,5x11,5	1	SNA
....5	PPE3	2401-001358	C-AL;470uF,20%,10V,WT,TP,8x11.5mm,5	2	SA
....5		3601-001496	FUSE-RADIAL LEAD;250V,5A,TIME DELAY,RESI	1	SNA
....5	PBS01	AC27-92001M	COIL-INDUCTOR;RH3.5x6.5RS,BEAD(RADIAL),T	8	SA
....5	T0174	AH97-04110A	ASSY SMD;SWA-5000,AMP_SMD,2,AH94-02417A	1	SNA
....6	S.N.A	0202-001459	SOLDER-CREAM;S3X58-M405,D20~38um,96.5Sn/	1	SNA
....6	ZPD2	0401-001090	DIODE-SWITCHING;1SS355,80V,100mA,SOD-323	1	SC
....6	D1	0401-001099	DIODE-SWITCHING;1N4148WS,75V,150mA,SOD-3	6	SA
....6	DS01A	0401-001166	DIODE-SWITCHING;BAV20WS-V,150V,250mA,SOD	2	SA
....6	PPD1	0402-000309	DIODE-RECTIFIER;1SR154-400,400V,1A,SOD-1	10	SC
....6	DR01A	0402-001427	DIODE-RECTIFIER;ES1D,200V,1A,DO-214AC,TP	2	SA
....6		0403-001062	DIODE-ZENER;UDZSNP4.7B,4.55/4.75V,200mW,	2	SA
....6	VD11	0403-001083	DIODE-ZENER;UDZSNP9.1B,8.85/9.23V,200mW,	1	SNA
....6		0403-001483	DIODE-ZENER;UDZS18B,17.56-18.35V,200mW,S	3	SA
....6		0501-000150	TR-SMALL SIGNAL;2SA1037,PNP,200mW,SOT-23	5	SA
....6	KQ6	0501-000341	TR-SMALL SIGNAL;KSC1623-L,NPN,200mW,SOT-	4	SA
....6	Q1040	0501-000457	TR-SMALL SIGNAL;MMBT2222A/KST2222A,NPN,3	3	SA
....6	Q1042	0501-000462	TR-SMALL SIGNAL;MMBT2907A,PNP,350mW,SOT-	1	SNA
....6	Q1	0501-000479	TR-SMALL SIGNAL;KST42,NPN,350mW,SOT-23,T	2	SA
....6	AQ7	0504-000128	TR-DIGITAL;FJV3103R,NPN,200mW,22K/22Kohm	3	SA
....6	AQ8	0504-000156	TR-DIGITAL;KSR2103,PNP,200MW,22K/22K,SOT	1	SA
....6	Q409	0505-002365	FET-SILICON;IRF6645,N,100V,5.7A,0.035ohm	4	SNA
....6		1003-002143	IC-GATE DRIVER;IRS2092STRPBF,SOP,16P,9.9	2	SA
....6	KOP1	1201-000163	IC-OP AMP;4560,SOP,8P,173MIL,DUAL,100V/m	1	SA
....6	U1502	1203-001212	IC-VOL. DETECTOR;7029,SOT-89,3P,-,PLASTI	1	SA
....6	T0087	1203-003695	IC-POSIXED REG.;NCP1117ST33T3G,SOT-22	1	SA
....6		1203-004364	IC-VOL. DETECTOR;RT9818C-42PV,SOT-23,3P,	1	SA
....6		1204-002969	IC-MODULATOR;PS9831,TQFP,100P,14x14mm,PL	1	SNA
....6	P803T	1404-001483	THERMISTOR-PTC;470ohm,50%,32V,TP	1	SA
....6	HD9	1405-001192	VARISTOR;12Vdc,30A,1.6x0.8x0.55mm,TP,50V	2	SA
....6	JP19	2007-000033	R-CHIP;0ohm,5%,1/4W,TP,3216	1	SA

Exploded Views and Parts List

Level	Loc.	Part Code	Description & Specification	Qty.	SA/SNA
.....6	PR4	2007-000052	R-CHIP;10Kohm,1%,1/10W,TP,1608	6	SA
.....6	KAR21	2007-000070	R-CHIP;0ohm,5%,1/10W,TP,1608	6	SA
.....6	CER02	2007-000071	R-CHIP;22ohm,5%,1/10W,TP,1608	1	SA
.....6	PR6	2007-000072	R-CHIP;47ohm,5%,1/10W,TP,1608	10	SNA
.....6	AR30	2007-000074	R-CHIP;100ohm,5%,1/10W,TP,1608	7	SNA
.....6	RR2	2007-000075	R-CHIP;220ohm,5%,1/10W,TP,1608	4	SA
.....6	AR164	2007-000076	R-CHIP;330ohm,5%,1/10W,TP,1608	1	SNA
.....6	AR158	2007-000077	R-CHIP;470ohm,5%,1/10W,TP,1608	1	SA
.....6	AR150	2007-000078	R-CHIP;1Kohm,5%,1/10W,TP,1608	7	SA
.....6	R331	2007-000079	R-CHIP;1.8Kohm,5%,1/10W,TP,1608	1	SA
.....6	FMR4	2007-000080	R-CHIP;2Kohm,5%,1/10W,TP,1608	4	SNA
.....6	FAR22	2007-000082	R-CHIP;3.3Kohm,5%,1/10W,TP,1608	2	SA
.....6	CER04	2007-000084	R-CHIP;4.7Kohm,5%,1/10W,TP,1608	12	SA
.....6	R227	2007-000086	R-CHIP;5.6Kohm,5%,1/10W,TP,1608	2	SNA
.....6	MR19	2007-000087	R-CHIP;6.8Kohm,5%,1/10W,TP,1608	4	SA
.....6	MROP1	2007-000090	R-CHIP;10Kohm,5%,1/10W,TP,1608	16	SA
.....6	R3A08	2007-000091	R-CHIP;12Kohm,5%,1/10W,TP,1608	1	SNA
.....6	KAR9	2007-000093	R-CHIP;20Kohm,5%,1/10W,TP,1608	2	SA
.....6	MR122	2007-000094	R-CHIP;22Kohm,5%,1/10W,TP,1608	2	SNA
.....6	AR108	2007-000097	R-CHIP;47Kohm,5%,1/10W,TP,1608	9	SA
.....6	R3A13	2007-000100	R-CHIP;68Kohm,5%,1/10W,TP,1608	2	SNA
.....6	ARR2	2007-000102	R-CHIP;100Kohm,5%,1/10W,TP,1608	7	SA
.....6	ZR24	2007-000109	R-CHIP;1Mohm,5%,1/10W,TP,1608	2	SA
.....6	DR10	2007-000113	R-CHIP;33ohm,5%,1/10W,TP,1608	1	SA
.....6	IDR23	2007-000116	R-CHIP;120ohm,5%,1/10W,TP,1608	1	SNA
.....6	KAR7	2007-000120	R-CHIP;680ohm,5%,1/10W,TP,1608	4	SA
.....6	R1P151	2007-000121	R-CHIP;820ohm,5%,1/10W,TP,1608	2	SA
.....6	R893B	2007-000122	R-CHIP;1.2Kohm,5%,1/10W,TP,1608	4	SA
.....6	KAR11	2007-000124	R-CHIP;2.2Kohm,5%,1/10W,TP,1608	1	SNA
.....6	AR174	2007-000129	R-CHIP;27Kohm,5%,1/10W,TP,1608	1	SA
.....6	R1053	2007-000131	R-CHIP;91Kohm,5%,1/10W,TP,1608	1	SNA
.....6	R15	2007-000134	R-CHIP;33Kohm,5%,1/10W,TP,1608	4	SNA
.....6		2007-000253	R-CHIP;1.5ohm,5%,1/4W,TP,3216	2	SA
.....6		2007-000303	R-CHIP;10Kohm,5%,1/4W,TP,3216	1	SNA
.....6	MR112	2007-000309	R-CHIP;10ohm,5%,1/10W,TP,1608	6	SNA
.....6	AAR11	2007-000312	R-CHIP;10ohm,5%,1/4W,TP,3216	4	SA
.....6	R320	2007-000458	R-CHIP;18Kohm,5%,1/10W,TP,1608	1	SA
.....6	R1S36	2007-000491	R-CHIP;2.2Kohm,1%,1/10W,TP,1608	5	SA
.....6	R505	2007-000496	R-CHIP;2.2Kohm,5%,1/4W,TP,3216	2	SA
.....6	R348	2007-000502	R-CHIP;2.2ohm,5%,1/8W,TP,2012	2	SC

Level	Loc.	Part Code	Description & Specification	Qty.	SA/SNA
....6	MR8	2007-000503	R-CHIP;2.2ohm,5%,1/10W,TP,1608	1	SA
....6		2007-000504	R-CHIP;2.2ohm,5%,1/4W,TP,3216	2	SA
....6	R545	2007-000512	R-CHIP;2.4Kohm,5%,1/10W,TP,1608	2	SNA
....6	UR16	2007-000552	R-CHIP;20ohm,5%,1/10W,TP,1608	2	SA
....6	TR100B	2007-000598	R-CHIP;22ohm,5%,1/4W,TP,3216	1	SNA
....6	AR28	2007-000683	R-CHIP;3.3Kohm,1%,1/10W,TP,1608	1	SA
....6	HR13	2007-000821	R-CHIP;390ohm,1%,1/10W,TP,1608	2	SNA
....6	R419	2007-000882	R-CHIP;4.7ohm,5%,1/10W,TP,1608	4	SA
....6	AR42	2007-000939	R-CHIP;47Kohm,1%,1/10W,TP,1608	2	SNA
....6		2007-000940	R-CHIP;47Kohm,1%,1/4W,TP,3216	1	SNA
....6	AR2	2007-001068	R-CHIP;6.8Kohm,1%,1/10W,TP,1608	2	SA
....6	R509	2007-001179	R-CHIP;8.2Kohm,5%,1/10W,TP,1608	3	SNA
....6	PR13	2007-001318	R-CHIP;1Kohm,5%,1/4W,TP,3216	1	SA
....6	R1	2007-002425	R-CHIP;1ohm,5%,1/10W,TP,1608	8	SNA
....6	ER19	2007-002899	R-CHIP;10ohm,1%,1/10W,TP,1608	2	SA
....6		2007-007065	R-CHIP;10ohm,5%,1W,TP,6432	2	SA
....6		2007-007790	R-CHIP;20ohm,1%,1W,TP,6432	4	SNA
....6	C4N08	2203-000140	C-CER,CHIP;1.5nF,10%,50V,X7R,TP,1608	2	SNA
....6	C134	2203-000257	C-CER,CHIP;10nF,10%,50V,X7R,TP,1608	3	SA
....6	C212	2203-000440	C-CER,CHIP;1nF,10,50V,X7R,TP,1608	1	SNA
....6	AC139	2203-000491	C-CER,CHIP;2.2nF,10%,50V,X7R,TP,1608	2	SNA
....6	AC10	2203-000531	C-CER,CHIP;2.7nF,10%,50V,X7R,TP,1608	4	SNA
....6	AAC14	2203-000888	C-CER,CHIP;4.7nF,10%,50V,X7R,TP,1608	1	SNA
....6	6MC22	2203-000975	C-CER,CHIP;47nF,10%,25V,X7R,TP,1608	1	SNA
....6	AD480	2203-000979	C-CER,CHIP;47nF,10%,50V,X7R,TP,2012	1	SA
....6	KAC5	2203-001126	C-CER,CHIP;0.68nF,10%,50V,X7R,TP,1608	4	SNA
....6	AD480	2203-001386	C-CER,CHIP;100nF,10%,100V,X7R,TP,3216	2	SNA
....6	AD480	2203-001428	C-CER,CHIP;470nF,10%,50V,X7R,TP,2012	2	SNA
....6	C3A21A	2203-001554	C-CER,CHIP;1.8nF,10%,50V,X7R,TP,1608	1	SA
....6	AC28	2203-001607	C-CER,CHIP;0.22nF,5%,50V,NP0,TP,1608	1	SNA
....6	C104	2203-001628	C-CER,CHIP;0.03nF,5%,50V,NP0,TP,1608	2	SA
....6	AVC08	2203-002398	C-CER,CHIP;22nF,10%,50V,X7R,TP,1608	1	SNA
....6	AAC1	2203-005249	C-CER,CHIP;100nF,10%,50V,X7R,TP,1608	63	SNA
....6	C24	2203-005565	C-CER,CHIP;1nF,5%,50V,COG,TP,1608	6	SA
....6	AD480	2203-006104	C-CER,CHIP;1000nF,10%,50V,X7R,TP,3225,2.	1	SNA
....6	AD480	2203-006336	C-CER,CHIP;10000nF,10%,25V,X5R,TP,3216	7	SNA
....6	C125	2203-006361	C-CER,CHIP;10000nF,10%,10V,X5R,TP,2012	10	SC
....6	AD480	2203-006698	C-CER,CHIP;1000nF,10%,25V,X7R,TP,1608,0.	4	SA
....6	AD480	2203-007176	C-CER,CHIP;10000nF,10%,16V,X5R,TP,2012,1	2	SNA
....6	AD480	2203-007233	C-CER,CHIP;22000nF,10%,16V,X5R,TP,3216,1	1	SNA

Exploded Views and Parts List

Level	Loc.	Part Code	Description & Specification	Qty.	SA/SNA
....6	C	2402-001081	C-AL,SMD;100uF,20%,25V,WT,TP,8.3x8.3x10	1	SA
....6		2402-001166	C-AL,SMD;22UF,20%,50V,GP,TP,6.3MMX5.4MM	1	SNA
....6	CEC02	2402-001178	C-AL,SMD;10uF,20%,16V,WT,TP,4.3x4.3x5.8m	2	SA
....6	C	2402-001254	C-AL,SMD;10uF,20%,50V,WT,TP,6.3x5.2mm	1	SA
....6	X202	2801-004371	CRYSTAL-SMD;12.288MHz,50ppm,SX-1,18pF,50	1	SNA
....6	T0568	3301-001404	BEAD-SMD;30ohm,2012,TP,15.9OHM/30MHz,-	10	SA
....6	CN1	3708-001765	CONNECTOR-FPC/FFC/PIC;24P,0.5mm,SMD-S,SN	1	SA
....6		AH41-01291D	PCB-AMP;SWA-5000 AMP PCB,FR-4,2,0,1.2T,1	1	SNA
...3	ML01A	AH94-02478A	ASSY PCB LED-LED ASSY;SWA-5000,LED ASSY,	1	SA
...4	S.N.A	0202-001492	SOLDER-WIRE FLUX;HSE-02 LFM48 SR-34 S,-,	0	SNA
...4		0202-001768	SOLDER-BAR;HSE-16,S60S-20,D3,SN/0.5CU/0.	0	SNA
...4		0204-002514	THINNER;TS4500,OXIGEN,NO,13.15KG,14KG/BO	0	SNA
...4		0204-002606	FLUX;LF-715K,OXIGEN,NO,16000L,14%,16kg,G	0	SNA
...4	EL03	0601-001432	LED;ROUND,BLUE,3mm,455nm	1	SA
...4	EL02	0601-003187	LED;ROUND,RED,3.0mm,635nm,3.5x5.2mm	1	SA
...4	CN707	3711-004067	HEADER-BOARD TO CABLE;BOX,4P,1R,2mm,ANGL	1	SA
...4		AH97-04473A	ASSY SMD-LED;SWA-5000	1	SNA
....5		0201-002248	ADHESIVE-A.C.F;SMT-GLUE,HT-130D	0	SNA
....5	RR2	2007-000075	R-CHIP;220ohm,5%,1/10W,TP,1608	2	SA
....5	AAC1	2203-005249	C-CER,CHIP;100nF,10%,50V,X7R,TP,1608	3	SNA
....5	T0568	3301-001404	BEAD-SMD;30ohm,2012,TP,15.9OHM/30MHz,-	3	SA
....5		AH41-01331A	PCB-LED;SWA-5000,PHENOL,1,00,1.6T,158*14	1	SNA
...3	RC01A	AH96-00238B	ASSY COVER P-RIGHT;SWA-5000,EUR,ASSY	1	SA
...4	AH315	AH61-03070A	HOLDER-LENS;SWA-5000,ABS+PMMA,2.5,12,28,	1	SNA
...4	RC01	AH64-05269B	CABINET-RIGHT;SWA-5000,PC,2.2,152,220	1	SNA
...3	M0003	AH96-00549A	ASSY COVER P-STAND;SWA-5000,ALL BUYER,AS	1	SA
...4	RB02	AH61-03069A	STAND-BOTTOM;SWA-5000,ABS,2.6,32,132,BLA	1	SNA
...4	M0126	AH73-00102B	RUBBER-FOOT;SWA-5000,RUBBER,12,BLACK,T3.	2	SNA
1		AH92-04080C	ASSY BOX;HT-E6700	1	SNA
.2		AH68-01981M	LABEL-BOX;ALL MODEL,ALL BUYER,heat sensi	1	SNA
.2		AH69-03592A	BOX-SET;HT-E6750W_EW4,CB,A-01,DW2,WHT,W9	2	SNA
1		AH92-04085A	ASSY P/MATERIAL;HT-E6750W	1	SNA
.2	S.N.A	0203-001100	TAPE-OPP MASKING;OPP/W75/CLR,T0.075,W75,	2	SNA
.2	S-SHEE	AH63-01301A	SHEET-SET;HT-Q40,SHEET,0.1,-,-,-,-,-,-	1	SNA
.2		AH69-03517A	CUSHION-SET;HT-E6730W/6750W,EPS,16.7g/l	1	SNA