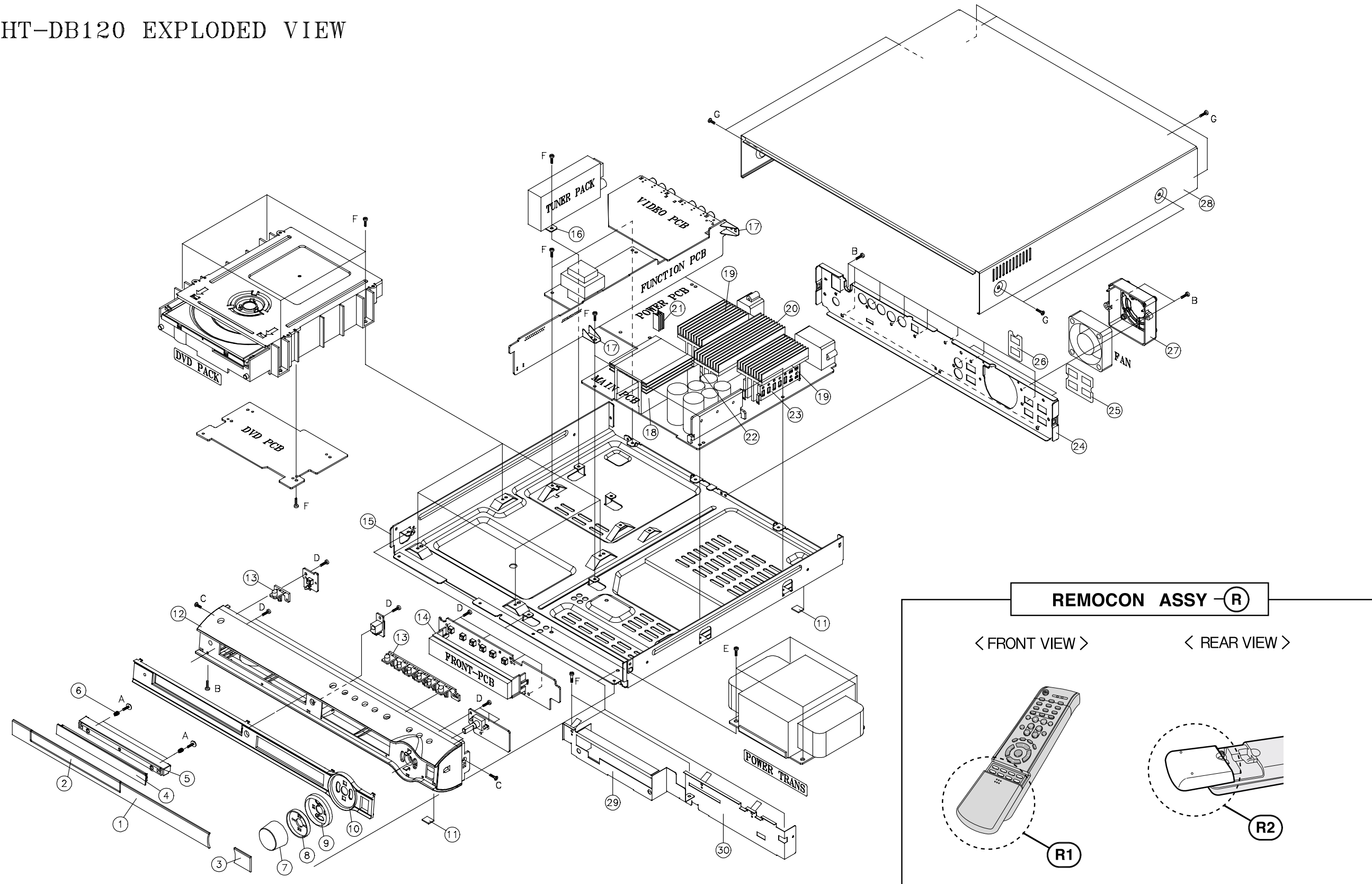


2.Exploded Views and Parts List

2-1 Total Exploded View

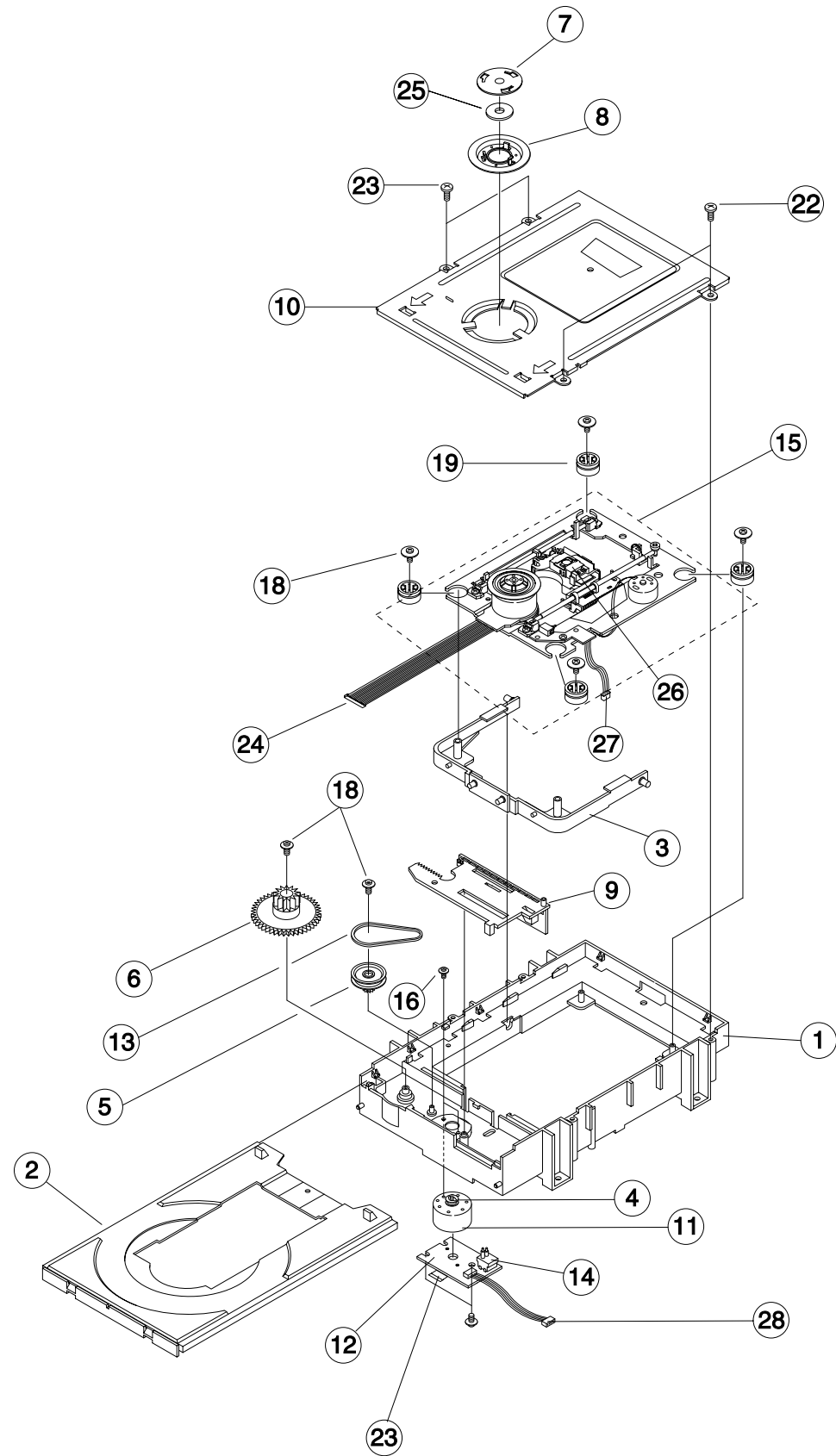
HT-DB120 EXPLODED VIEW



* Parts List of Total Exploded view

No.	Code No.	Description	Specification	Q'ty	REMARK	No.	Code No.	Description	Specification	Q'ty	REMARK
1	AH64-02564A	WINDOW-FRONT	ACRYL 2.0T H/M	1		C	6002-000126	SCREW-TAPPING	FH,+,2S,M3,L10,ZPC(BLK),SM	2	
2	AH64-02565A	WINDOW-CD	ACRYL 2.0T H/M	1		D	6003-000276	SCREW-TAPTITE	BH,+,B,M3,L10,ZPC(YEL),SWC	9	
3	AH64-02576A	WINDOW-VOLUME	ACRYL 2.0T H/M	1		E	6003-000283	SCREW-TAPTITE	BH,+,B,M3,L8,ZPC(YEL),SWC	17	
4	AH64-02561A	DOOR-CD	ABS BLACK	1		F	AH60-00014A	SCREW-TAPTITE	SWCH18A,M4,6,TH,S-TITE	4	
5	AH61-01404A	HOLDER-DOOR	ABS D/GRAY	1		G	6003-001499	SCREW-TAPTITE	BWH,+,B,M3,L8,NI PLT,SWRCH	8	
6	AH61-01325A	SPRING-DOOR	SUS304	2							
7	AH64-02562A	KNOB-VOLUME	ABS L/GRY	1		R	ASSY-REMOCON	AH59-01225B	USA	1	
8	AH67-00228A	LENS-VOLUME	PMMA MILKY	1				AH59-01225C	EUR/ASIA	1	
9	AH64-02567B	DECO-VOLUME	ABS L/GRY	1		R1	DOOR-HIDDEN	AH63-00571A		1	
10	AH64-02566B	DECO-FRONT	ABS BLACK	1		R2	COVER-BATTERY	AH63-00570A		1	
11	AH73-00005A	RUBBER-FOOT	EVA	4							
12	AH64-02560B	CABINET-FRONT	HIPS L/GRY	1	ELS						
	AH64-02560C	CABINET-FRONT	HIPS L/GRY	1	USA						
	AH64-02560D	CABINET-FRONT	HIPS L/GRY	1	ASIA						
13	AH64-02563B	KNOB-FUNCTION	ABS L/GRY	1							
14	AH61-01405A	HOLDER-VFD	ABS BLK	1							
15	AH64-02316A	CABINET-BOTTOM	SECC 1.0T	1							
16	AH61-01355A	BRKT-TUNER	SECC 1.0T	1							
17	AH61-01140A	BRKT-PCB	SPT 0.5T	2							
18	AH62-00098A	HEAT-SINK TR	AL EXTR	1							
19	AH62-00096A	HEAT-SINK S	AL EXTR	2							
20	AH62-00097A	HEAT-SINK L	AL EXTR	1							
21	AH62-00062C	HEAT-SINK TR	AL EXTR 25mm	2							
22	AH61-00855A	HOLDER-IC	PBT	1							
23	AH61-00779A	HOLDER-IC	PBT	5							
24	AH64-02577C	CABINET-REAR	SECC 0.8T	1	ELS						
	AH64-02577D	CABINET-REAR	SECC 0.8T	1	USA						
	AH64-02577E	CABINET-REAR	SECC 0.8T	1	ASIA						
25	AH63-00569B	SHEET-SPK FCW	PC 0.3T	1							
26	AH63-00569A	SHEET-SPK R	PC 0.3T	1							
27	AH63-00517A	COVER-FAN	ABS GRY	1							
28	AH64-02315B	CABINET-TOP	SECC 0.6T	1							
29	AH63-00632B	SHIELD-FRONT,L	SPT 0.5T	1	ELS,USA						
30	AH63-00632C	SHIELD-FRONT,R	SPT 0.5T	1	ELS,USA						
A	AJ60-10001A	SCREW TAP	WASHER 6.8 M2*5	2							
B	AH60-00025A	SCREW-TAPTITE	BH,+,B,M3,L10	14							

2-2 DVD MECHA Exploded View and Parts list



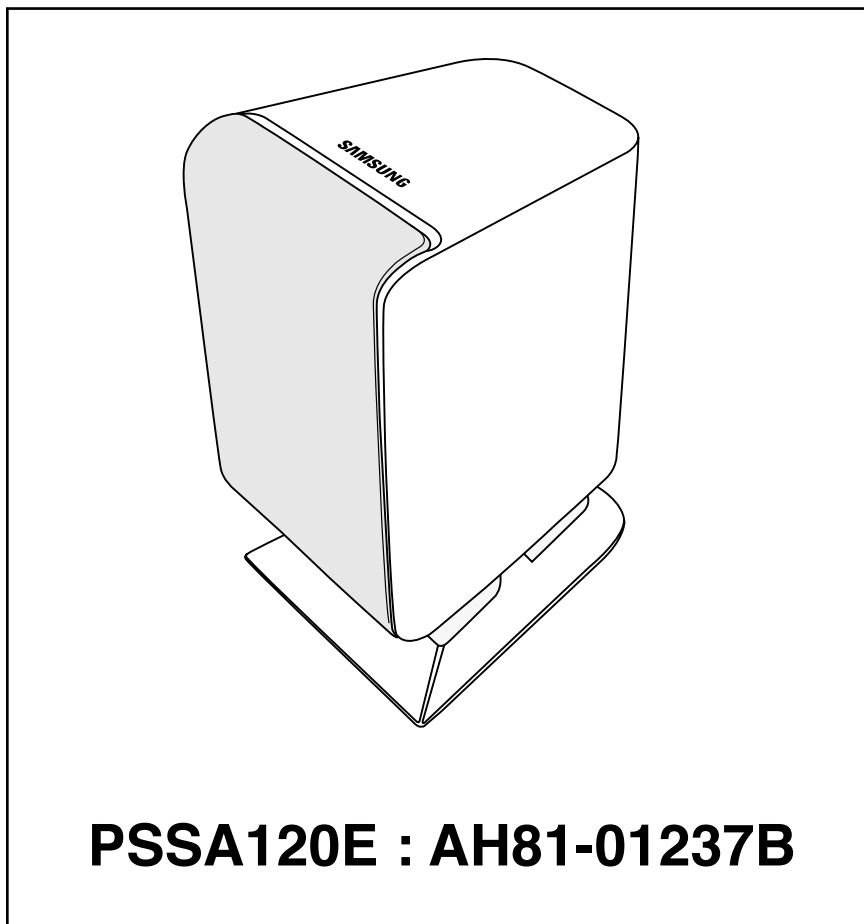
No.	Code No.	Description ;	Specification
	AH59-01153A	DECK-MECHA ASS'Y	CMS-SD100
1	AH61-01293A	BASE-MAIN	ABS BLK
2	AH63-00535A	TRAY-DISC	ABS D/GRAY
3	AH66-00214A	LEVER-LIFT	ABS+GF20%
4	AH66-00215A	PULLEY-MOTOR	POM WHT
5	AH66-00216A	GEAR-PULLEY	TPE WHT
6	AH66-00217A	GEAR-TRAY	POM WHT
7	AH61-01295A	CLAMPER-BRKT	SECC t0.8
8	AH63-00536A	CLAMPER-MOLD	POM WHT
9	AH66-00218A	SLIDE-CAM	PC WHT
10	AH61-01296A	HOLDER-BRACKET	SECC t0.8
11	AH31-00030B	MOTOR-DC	RF-300E-1D390
12	AH41-00560A	PCB-SWITCH	43.5 * 32.5
13	AH66-00219A	BELT-PULLEY	CR 1.2
14	3409-001119	SWITCH-DETECTOR	JDS2200
15	AH59-01184A	DVD-DECK ASSY	CMS-S51PG4
16	6001-001257	SCREW-MACHINE	1.7*3(W4.5)
17	AJ60-10001A	SCREW-TAP	WASHER 6.8
18	6003-000152	SCREW-TAP	2*10.12
19	AH73-00058A	RUBBER-CD	SILICON 30
20	0205-001106	GREASE	GX-99004
21	0205-001109	GREASE	DM-523
22	6003-000283	SCREW	TAP 3*8
23	AH02-00038A	TAPE	10mm*80mm
24	3809-001451	CABLE-FLAT	60mm 24P
25	3302-001505	MAGNET CHUCK	190 gf
26	AH30-00055A	PICK-UP	4P.JST
27	AH39-00495A	WIRE-HARNESS	UL1007,#28,70mm
28	AH39-00496A	WIRE-HARNESS	UL1007,#28,65mm

*** Caution:** Actually, the whole MECHA do not include DECK ASSY.
DECK ASSY should be requested separately at service repair.

2-3 SPEAKER Exploded View and Parts list

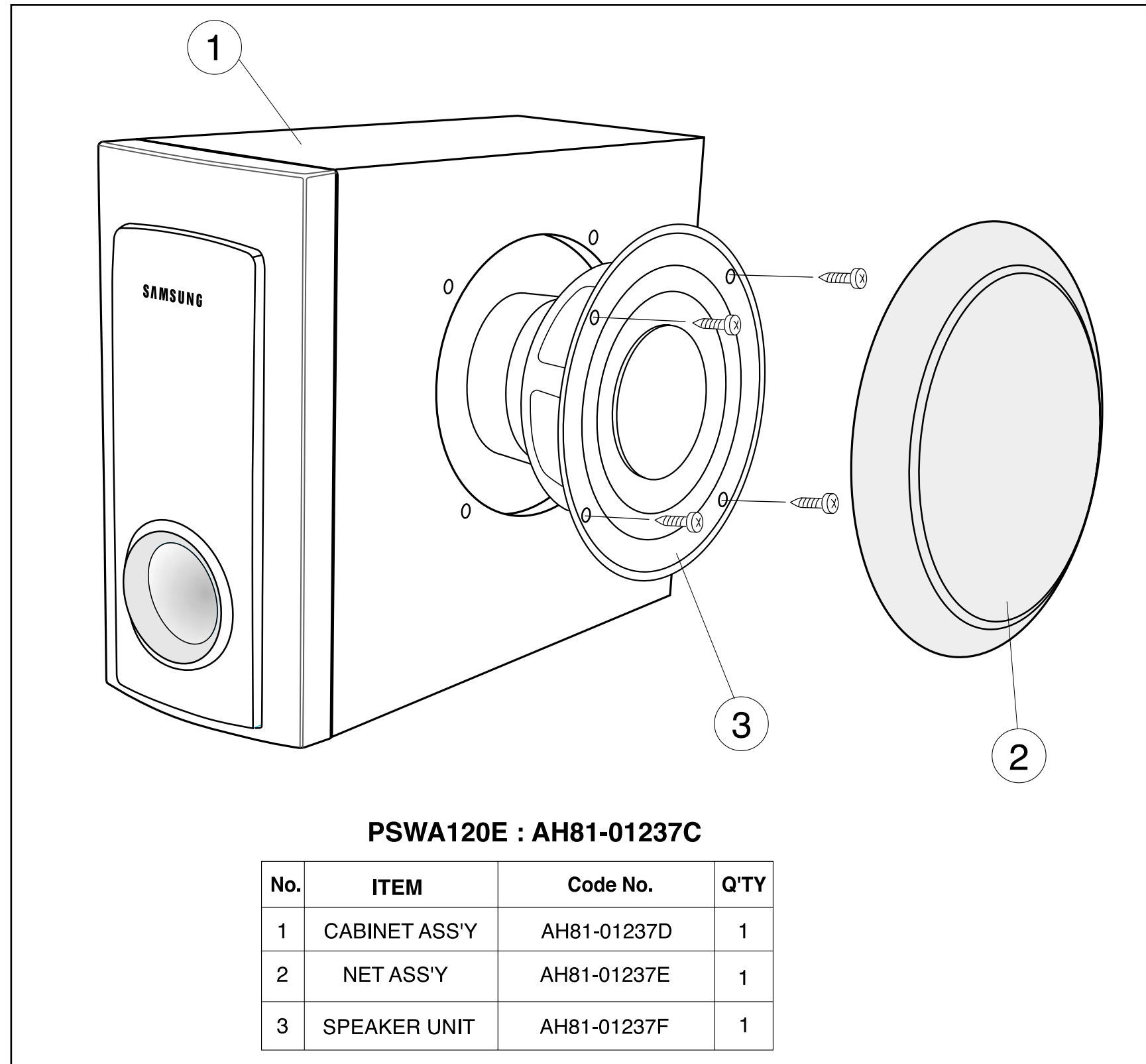
2-3-1 HT-DB120 (EXPORT BASIC)

*** Satellite Speaker**

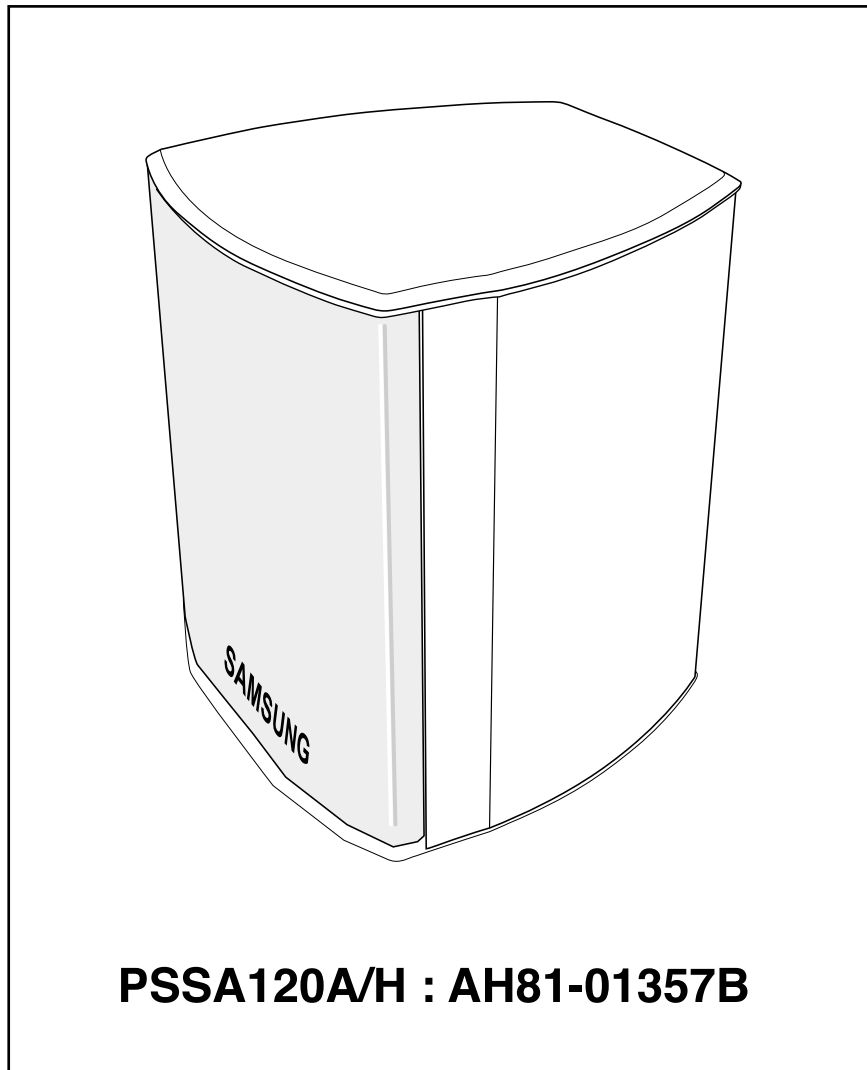


*** SUBWOOFER**

* CAUTION : It is used the bonding, connect NET FRAME(or FRONT PANEL ASS'Y) to CABINET ASS'Y.
So when the disassembly, take extreme care not to damage the SPEAKER.



*** Satellite Speaker**



*** SUBWOOFER**

* CAUTION : It is used the bonding, connect NET FRAME(or FRONT PANEL ASS'Y) to CABINET ASS'Y.
So when the disassembly, take extreme care not to damage the SPEAKER.

