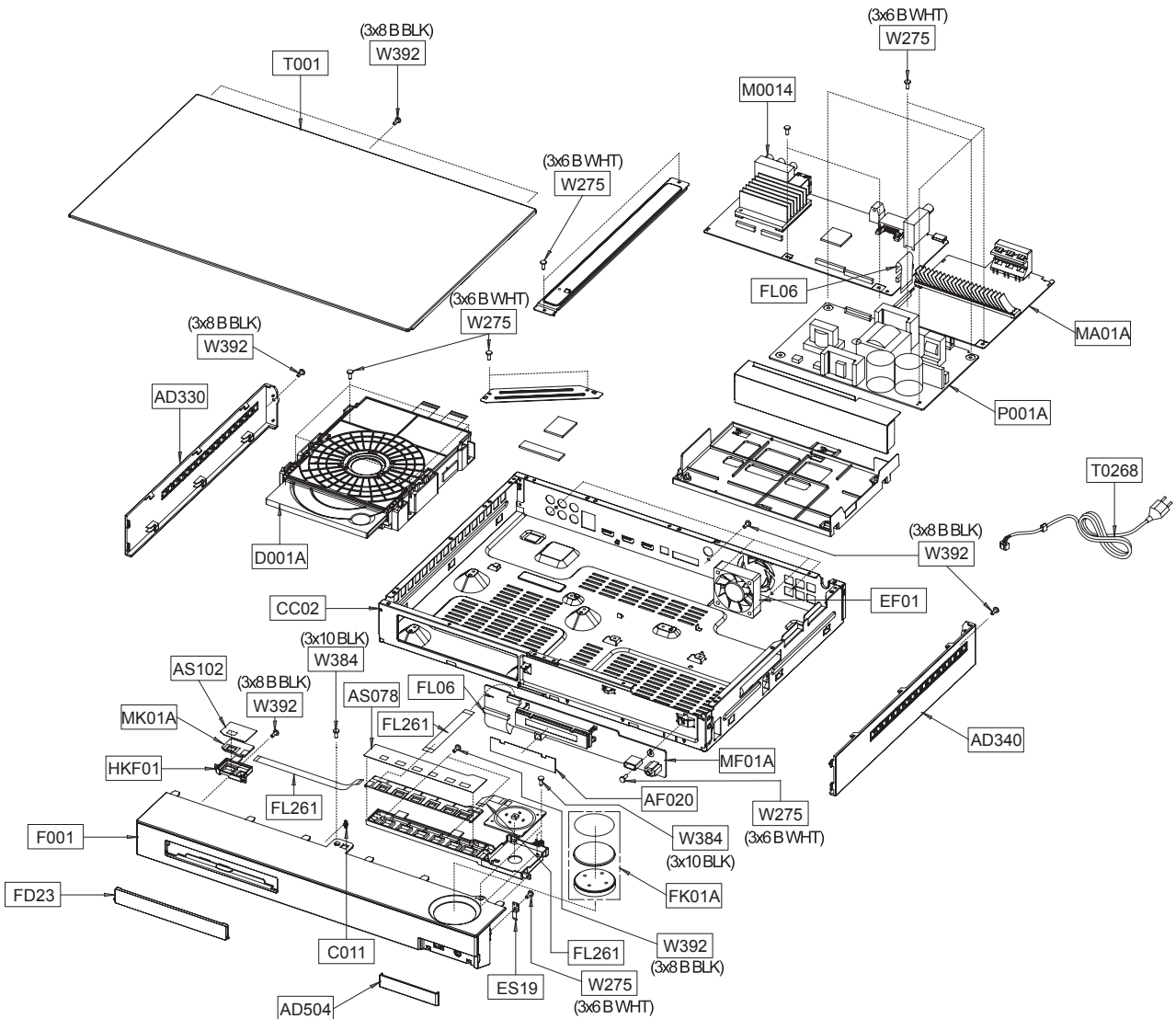


5. Exploded View & Part List

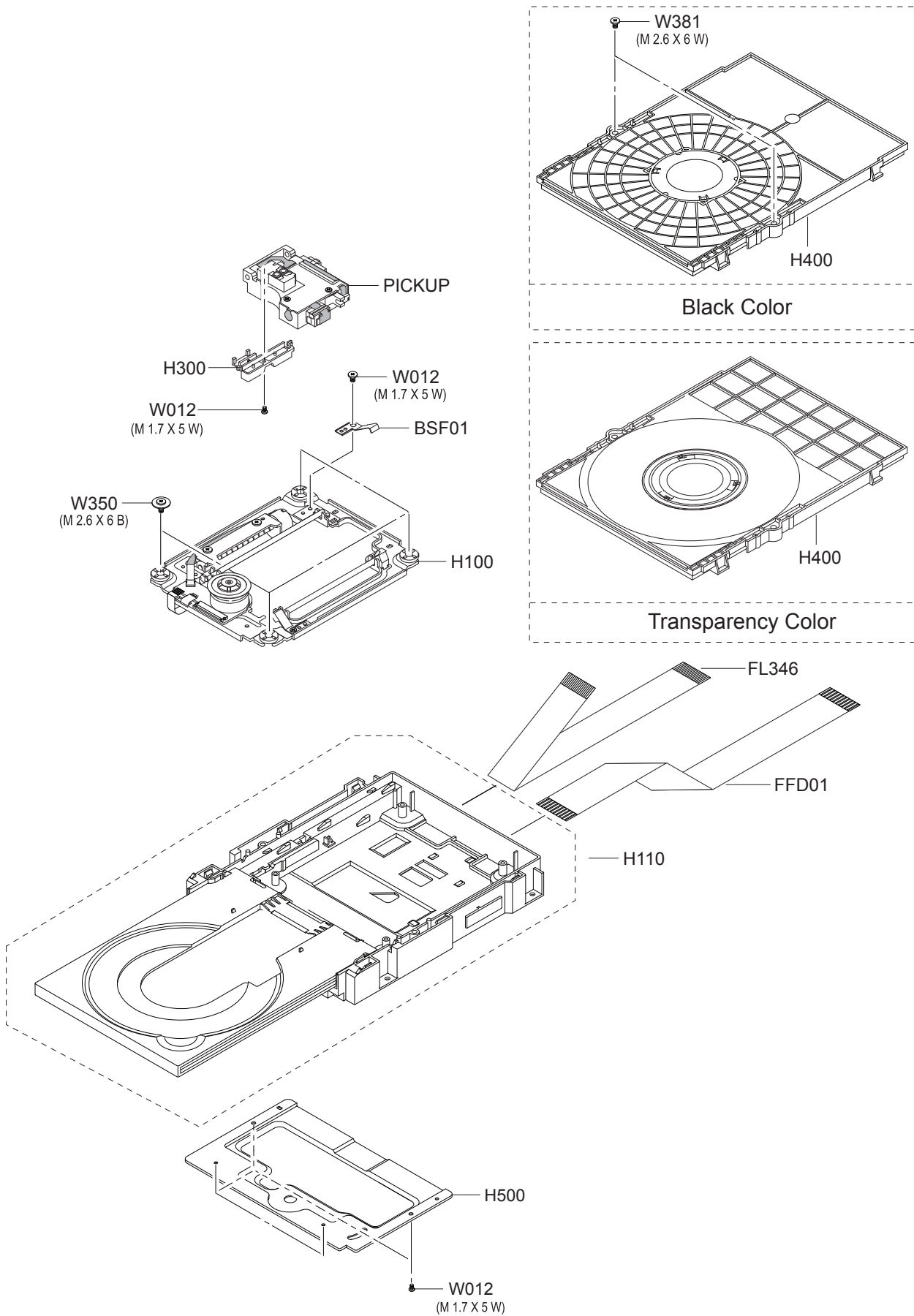
5-1 Product Exploded View



Part List

Loc. No.	Part No.	Description;Specification	Qty.	SNA	Remark
AD330	AH64-05292B	DECORATION-SIDE-L;HT-C5500,ABS,2.5,350,5	1	SNA	
AD340	AH64-05293B	DECORATION-SIDE-R;HT-C5500,ABS,2.5,350,5	1	SNA	
AD504	AH64-05321A	DOOR-HIDDEN;HT-C5500,ABS+PMMA,2.2,25,80,	1	SNA	
AF020	AH63-02108A	FILTER-VFD;HT-C5500,PC,0.5T,90,25,VIOLET	1	SNA	
AS078	AH63-02006A	SHEET-FUNCTION;HT-BD3250,PC T0.3,0.3,156	1	SNA	
AS102	AH63-02007A	SHEET-POWER;HT-BD3250,PC T0.3,0.3,100,15	1	SNA	
C011	AH61-02527A	SPRING ETC-DOOR;HT-Z310,STS 304 WPS,0.2,	1	SA	
CC02	AH64-05291B	CHASSIS-BOTTOM;HT-C5500,EGI-SECC,0.8,430	1	SNA	
D001A	AK96-01214J	ASSY ENGINE P-BD DECK;BD-P6C,OEM,1B	1	SA	
EF01	3103-001251	FAN-DC;12,80mA,2000rpm,0.11m ³ /mi,0.62mm	1	SA	
ES19	AH61-03102A	SPRING ETC-HIDDEN;HT-C6500,STAINLESS-ST5	1	SA	
F001	AH63-02130A	COVER-FRONT;HT-C5500,ABS+PMMA,2.2,430,80	1	SNA	
FD23	AH64-05320A	DOOR-BD;HT-C5500,ABS+PMMA,2.2,15,100,3,B	1	SA	
FK01A	AH96-00175B	ASSY KNOB P-VOLUME;HT-C5500,BASIC,PMMA+A	1	SNA	
FL06	3809-002517	FFC CABLE-FLAT;30V,80C,100mm,28P,1.0mm,U	1	SA	
FL06	3809-002518	FFC CABLE-FLAT;30V,80C,220mm,28P,1.0mm,U	1	SA	
FL261	3809-002351	FFC CABLE-FLAT;30V,80C,185mm,5P,1.0mm,UL	1	SNA	
FL261	3809-002357	FFC CABLE-FLAT;30V,80C,90mm,15P,1.0mm,UL	1	SA	
FL261	3809-002359	FFC CABLE-FLAT;30V,80C,45mm,5P,1mm,UL206	1	SNA	
HKF01	AH61-02963A	HOLDER-KEY FUNCTION;HT-BD3250,ABS,13,60,	1	SNA	
M0014	AH94-02433B	ASSY PCB MAIN;HT-C5500,BD HOME THEATER,E	1	SA	
MA01A	AH94-02430A	ASSY PCB AMP;HT-C5500,BD HOME THEATER,EP	1	SA	
MF01A	AH94-02431D	ASSY PCB FRONT;HT-C5500,BD HOME THEATER,	1	SA	
MK01A	AH94-02432B	ASSY PCB KEY;HT-C5500,BD HOME THEATER,FR	1	SNA	
P001A	AH94-02449D	ASSY PCB SMPS;HT-C5500_220V,BD HTS,1	1	SA	
T001	AH63-02119B	COVER-TOP;HT-C5500,ABS,2.5,350,58,BLK	1	SA	
T0268	3903-000403	CBF-POWER CORD;AT,EU,CP2,HOUSING(2P),250	1	SA	
W275	6003-001561	SCREW-TAPTYPE;BH,+,-,B,M3,L6,ZPC(WHT),SW	14	SA	
W384	6002-000126	SCREW-TAPPING;FH,+,-,2S,M3,L10,ZPC(BLK),	2	SA	
W392	6003-000282	SCREW-TAPTYPE;BH,+,-,B,M3,L8,ZPC(BLK),SW	16	SA	

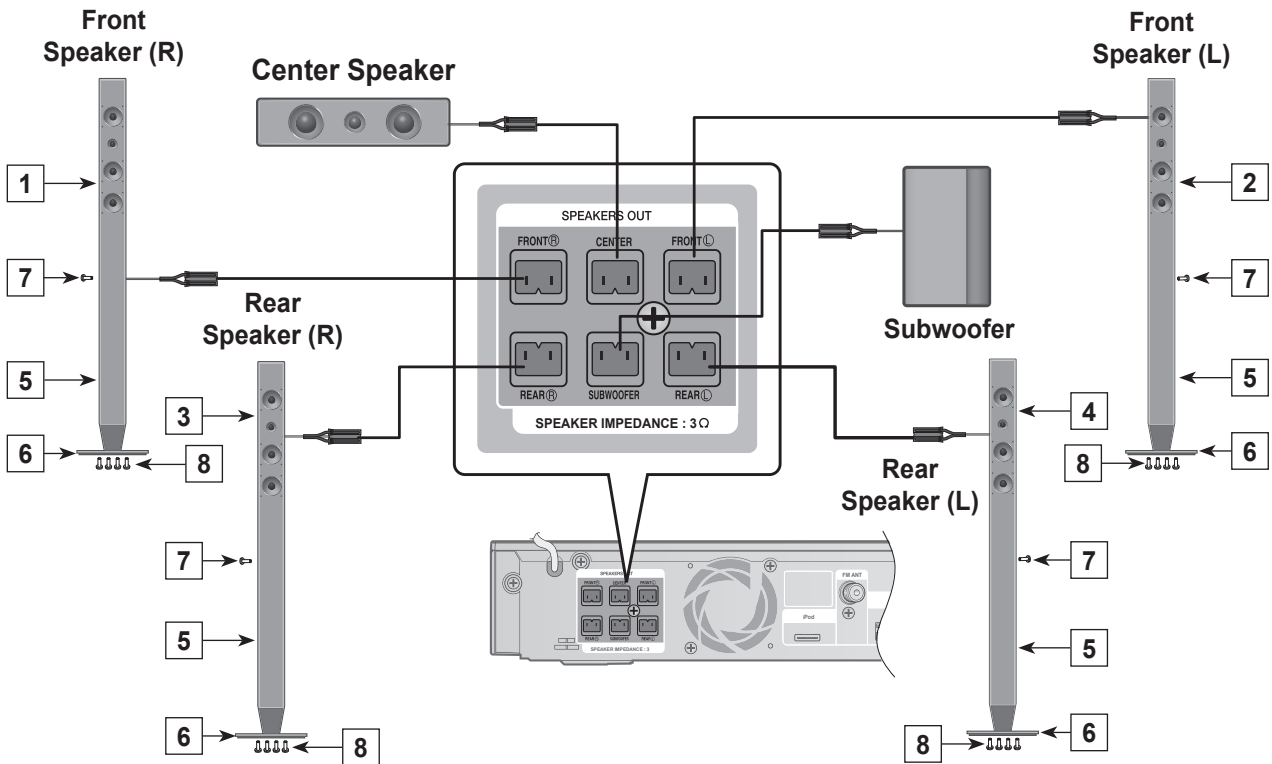
5-2 DECK Exploded View



■ Part List

Loc. No.	Code No.	Description;Specification	Qty.	SNA	Remark
BSF01	AK61-00985A	BRACKET-SHAFT FIX R;BD-P6,SUS 301 CSP,T0.35	2	SA	
FFD01	AK41-00931A	FFC-DECK;BD-C5500,A TYPE,PITCH 1.0,22P,T0.11,L	1	SA	
FL346	AK41-00930A	FFC-PU;BD-C5500,B TYPE,PITCH0.5,40P,T0.11,L250*	1	SA	
H100	AK96-01219A	ASSY BRACKET P-TRAVERSE DECK;BD-P6,BRKT	1	SA	
H110	AK96-01220A	ASSY FRAME P-MAIN;BD-P6,FRAME+GEAR+PCB	1	SA	
H300	AK96-01216A	ASSY HINGE P-PU;BD-P6,POM+SPRING	1	SA	
H400	AK96-01217A	ASSY COVER P-UPPER;BD-P6,COVER UPPER +	1	SA	Black
	AK96-01217B	ASSY COVER P-UPPER;BD-P6,COVER UPPER +	1	SA	Transparency
H500	AK63-00606A	COVER-BOTTOM;BD-P6,EGI-SECC,TO.5	1	SA	
PICKUP	AK96-01213A	ASSY PICK UP P;SOH-BP6	1	SA	
	AK96-01236A	ASSY PICK UP P;SOH-BP6	1	SA	
	AK96-01239A	ASSY PICK UP P;SOH-BP6	1	SA	
	AK96-01244A	ASSY PICK UP P;SOH-BP6	1	SA	
W012	6002-001086	SCREW-TAPPING;PH,+,B,M1.7,L5.0,ZPC(WHT)	6	SA	
W350	6001-001003	SCREW-MACHINE;BH,+,M2.6,L6,ZPC(BLK)	4	SA	
W381	6003-001449	SCREW-TAPTYPE;BH,+,B,M2.6,L6,NI PLT,SWRCH18A	2	SA	

5-3 Speaker System



■ Part List

Loc. No.	Code No.	Description;Specification	Qty.	SNA	Remark
Front Speaker (R)	AH81-06094A	SPEAKER-FRONT RIGHT; PS-C5550/C5550W	1	SA	
Front Speaker (L)	AH81-06095A	SPEAKER-FRONT LEFT ; PS-C5550/C5550W	1	SA	
Rear Speaker (R)	AH81-06096A	SPEAKER-REAR RIGHT; PS-C5550/C5550W	1	SA	
Rear Speaker (L)	AH81-06097A	SPEAKER-REAR LEFT ; PS-C5550/C5550W	1	SA	
1	AH81-06106A	SPEAKER-FRONT RIGHT; PS-C5550/C5550W	1	SA	
2	AH81-06107A	SPEAKER-FRONT LEFT ; PS-C5550/C5550W	1	SA	
3	AH81-06108A	SPEAKER-REAR RIGHT; PS-C5550/C5550W	1	SA	
4	AH81-06109A	SPEAKER-REAR LEFT ; PS-C5550/C5550W	1	SA	
5	AH81-05711A	SPEAKER-STAND PILLAR ASSY	1	SA	
6	AH81-05710A	SPEAKER-STAND ASUCER ASSY	1	SA	
7	AH81-05992A	SPEAKER-SCREW ;SCREW,5*15BA,BK,TALLBOY	1	SA	
8	AH81-05991A	SPEAKER-SCREW ;SCREW,4*15BA,BK,TALLBOY	4	SA	
Center Speaker	AH81-06098A	SPEAKER-CENTER; PS-C5550/C5550W	1	SA	
Subwoofer	AH81-06486A	PS-C553,SUBWOOFER SPEAKER,XAC	1	SA	
Speaker Wire	AH81-06093A	F:4M*2;C:4M;SW:4M,FOR WIRELESS MODEL	1	SA	

5-4 Electrical Part List

Loc. No.	Part No.	Description	Specification	Qty.	SNA	Remark
MA01A	AH94-02430A	ASSY PCB AMP	HT-C5500,BD HOME THEATER,EP	1	SA	
6MC22	2203-000975	C-CER,CHIP	47nF,10%,25V,X7R,TP,1608,-	1	SNA	
AAC1	2203-005249	C-CER,CHIP	100nF,10%,50V,X7R,TP,1608	87	SNA	
AAR39	2007-000123	R-CHIP	1.5Kohm,5%,1/10W,TP,1608	2	SA	
AC10	2203-000531	C-CER,CHIP	2.7nF,10%,50V,X7R,1608	12	SNA	
AC139	2203-000491	C-CER,CHIP	2.2nF,10%,50V,X7R,1608	6	SA	
AC510	3708-001981	CONNECTOR-FPC/FFC/PIC	28P,1mm,SMD-S,SN,N	1	SNA	
AD480	2203-000203	C-CER,CHIP	100nF,10%,16V,X7R,TP,2012,2mm	2	SA	
AD480	2203-001386	C-CER,CHIP	100nF,10%,100V,X7R,TP,3216,3.	7	SNA	
AD480	2203-006336	C-CER,CHIP	10000nF,10%,25V,X5R,3216	15	SA	
AD480	2203-006698	C-CER,CHIP	1000nF,10%,25V,X7R,1608	4	SNA	
AD480	2203-006706	C-CER,CHIP	2200nF,10%,50V,X7R,3225	1	SNA	
AD480	2203-007176	C-CER,CHIP	10000nF,10%,16V,X5R,TP,2012 (14	SNA	
AH025	AH62-00223A	HEAT SINK-AMP	HT-C5500,ALLUMINUM,3T,100,	1	SNA	
AH260	AH61-02854A	HOLDER-HEATSINK	HT-BD1250,HIPS V0,2.0mm,	2	SNA	
AQ7	0504-000128	TR-DIGITAL	FJV3103R,NPN,200mW,22K/22Kohm	1	SA	
AR108	2007-000097	R-CHIP	47Kohm,5%,1/10W,TP,1608	19	SA	
AR150	2007-000078	R-CHIP	1Kohm,5%,1/10W,TP,1608	18	SA	
AR158	2007-000077	R-CHIP	470ohm,5%,1/10W,TP,1608	1	SA	
AR174	2007-000129	R-CHIP	27Kohm,5%,1/10W,TP,1608	8	SA	
AR30	2007-000074	R-CHIP	100ohm,5%,1/10W,TP,1608	6	SA	
AR42	2007-000939	R-CHIP	47Kohm,1%,1/10W,TP,1608	6	SA	
ARR2	2007-000102	R-CHIP	100Kohm,5%,1/10W,TP,1608	1	SA	
C	2402-000108	C-AL,SMD	10uF,20%,16V,WT,TP,4.3x4.3x5.2m	6	SA	
C	2402-001218	C-AL,SMD	22UF,20%,35V,WT,TP,6.6X6.6X5.8M	2	SA	
C	2401-004106	C-AL	680uF,20%,50V,-,BK,12.5 x 35,5	6	SNA	
C125	2203-006361	C-CER,CHIP	10000nF,10%,10V,X5R,TP,2012	5	SC	
C134	2203-000257	C-CER,CHIP	10nF,10%,50V,X7R,TP,1608	4	SA	
C24	2203-005565	C-CER,CHIP	1nF,5%,50V,NP0,TP,1608	18	SA	
C4N08	2203-000140	C-CER,CHIP	1.5nF,10%,50V,X7R,1608	6	SNA	
CER02	2007-000071	R-CHIP	22ohm,5%,1/10W,TP,1608	1	SA	
CER04	2007-000084	R-CHIP	4.7Kohm,5%,1/10W,TP,1608	1	SA	
D0254	0402-001090	DIODE-SCHOTTKY	MBRS1100,100V,1000MA,DO-2	1	SNA	
D1	0401-001099	DIODE-SWITCHING	1N4148WS,75V,150mA,SOD-3	6	SA	
DR01A	0402-001427	DIODE-RECTIFIER	ES1D,200V,1A,DO-214AC,TP	6	SA	
DR01A	0402-001614	DIODE-RECTIFIER	S1G,400V,1A,DO-214AC,TP	12	SA	
DR1	2007-000043	R-CHIP	1Kohm,1%,1/10W,TP,1608	6	SA	
DS01A	0401-001166	DIODE-SWITCHING	BAV20WS-V,150V,250mA,SOD	6	SA	
ER19	2007-002899	R-CHIP	10ohm,1%,1/10W,TP,1608	6	SA	
FAN1	3711-000820	HEADER-BOARD TO CABLE	BOX,2P,1R,2.5MM,ST	1	SA	
FAR22	2007-000082	R-CHIP	3.3Kohm,5%,1/10W,TP,1608	1	SNA	
FD7	0601-001226	LED	SMD(TOP VIEW),RED,1.2x0.8mm,660nm,1.	14	SNA	
FL06	3809-002517	FFC CABLE-FLAT	30V,80C,100mm,28P,1.0mm,U	1	SA	
FMR4	2007-000080	R-CHIP	2Kohm,5%,1/10W,TP,1608	12	SNA	
HR13	2007-000821	R-CHIP	390ohm,1%,1/10W,TP,1608	6	SNA	
IDR23	2007-000116	R-CHIP	120ohm,5%,1/10W,TP,1608	1	SNA	
JP19	2007-000033	R-CHIP	0ohm,5%,1/4W,TP,3216	6	SA	
KAC5	2203-001126	C-CER,CHIP	0.68nF,10%,50V,X7R,1608	12	SNA	

Loc. No.	Part No.	Description	Specification	Qty.	SNA	Remark
KAR13	2007-000060	R-CHIP	100Kohm,1%,1/10W,TP,1608	6	SNA	
KAR21	2007-000070	R-CHIP	0ohm,5%,1/10W,TP,1608	10	SA	
KAR7	2007-000120	R-CHIP	680ohm,5%,1/10W,TP,1608	12	SNA	
KOP1	1201-000163	IC-OP AMP	4560,SOP,8P,173MIL,DUAL,100V/m	3	SA	
KQ1	0501-000279	TR-SMALL SIGNAL	KSA1182-Y,PNP,150mW,SOT-	2	SA	
KQ6	0501-000341	TR-SMALL SIGNAL	KSC1623-L,NPN,200mW,SOT-	1	SA	
MC111	2203-000646	C-CER,CHIP	0.024nF,5%,50V,C0G,TP,1608	2	SNA	
MIC10	0801-002391	IC-CMOS LOGIC	74LCX00,NAND GATE,TSSOP,14	2	SNA	
MR112	2007-000309	R-CHIP	10ohm,5%,1/10W,TP,1608	28	SA	
MR122	2007-000094	R-CHIP	22Kohm,5%,1/10W,TP,1608	7	SA	
MR19	2007-000087	R-CHIP	6.8Kohm,5%,1/10W,TP,1608	15	SA	
MR2	2007-000130	R-CHIP	39Kohm,5%,1/10W,TP,1608	3	SA	
MR9	2007-000127	R-CHIP	9.1Kohm,5%,1/10W,TP,1608	12	SNA	
MROP1	2007-000090	R-CHIP	10Kohm,5%,1/10W,TP,1608	29	SA	
ND51C2	2007-000066	R-CHIP	20Kohm,1%,1/10W,TP,1608	6	SNA	
P803T	1404-001483	THERMISTOR-PTC	470ohm,50%,32V,TP	3	SA	
PC69	2203-006818	C-CER,CHIP	47000nF,20%,6.3V,X5R,3216	5	SA	
PCW2	3711-003359	HEADER-BOARD TO CABLE	BOX,10P,1R,2.5mm,S	1	SA	
PPD1	0402-000309	DIODE-RECTIFIER	1SR154-400,400V,1A,SOD-1	1	SA	
PR4	2007-000052	R-CHIP	10Kohm,1%,1/10W,TP,1608	3	SA	
PR6	2007-000072	R-CHIP	47ohm,5%,1/10W,TP,1608	18	SNA	
PR6	2007-000583	R-CHIP	22Kohm,1%,1/10W,TP,1608	2	SA	
Q1	0501-000479	TR-SMALL SIGNAL	KST42,NPN,350mW,SOT-23,T	5	SNA	
Q1040	0501-000457	TR-SMALL SIGNAL	MMBT2222A/KST2222A,NPN,3	2	SA	
Q301	0501-000481	TR-SMALL SIGNAL	KST92,PNP,350mW,SOT-23,T	3	SNA	
Q409	0505-002365	FET-SILICON	IRF6645,N,100V,5.7A,0.035ohm	12	SNA	
R1	2007-002425	R-CHIP	1ohm,5%,1/10W,TP,1608	12	SNA	
R15	2007-000134	R-CHIP	33Kohm,5%,1/10W,TP,1608	6	SNA	
R1P151	2007-000121	R-CHIP	820ohm,5%,1/10W,TP,1608	6	SA	
R1S36	2007-000491	R-CHIP	2.2Kohm,1%,1/10W,TP,1608	6	SA	
R227	2007-000086	R-CHIP	5.6Kohm,5%,1/10W,TP,1608	2	SA	
R319	2007-000143	R-CHIP	4.7Kohm,5%,1/16W,TP,1005	1	SNA	
R419	2007-000882	R-CHIP	4.7ohm,5%,1/10W,TP,1608	4	SA	
R505	2007-000496	R-CHIP	2.2Kohm,5%,1/4W,TP,3216	6	SA	
R509	2007-001179	R-CHIP	8.2Kohm,5%,1/10W,TP,1608	3	SA	
R510	2007-000108	R-CHIP	510Kohm,5%,1/10W,TP,1608	1	SA	
R893B	2007-000122	R-CHIP	1.2Kohm,5%,1/10W,TP,1608	12	SA	
RR2	2007-000075	R-CHIP	220ohm,5%,1/10W,TP,1608	2	SA	
T0052	2703-002524	INDUCTOR-SMD	10uH,10%,3225	2	SNA	
T0052	2703-003768	INDUCTOR-SMD	330uH,20%,6060	1	SNA	
T0081	6001-000571	SCREW-MACHINE	PH,+,-,M3,L8,ZPC(WHT),SWRC	2	SNA	
T0087	1203-002835	IC-POS.FIXED REG.	KIA7805AF,DPAK,3P,6.6	1	SA	
T0415	3716-001243	TERMINAL-BLOCK	WIRE TYPE,12P,14mm,0V,0A	1	SA	
T0568	3301-001404	BEAD-SMD	30ohm,2012,TP,15.9OHM/30MHz	4	SA	
WC31	2305-000407	C-FILM,LEAD-PEF	470nF,5%,100V,TP,10.5x6x	6	SA	
X202	2801-004371	CRYSTAL-SMD	12.288MHz,50ppm,SX-1,18pF,50	1	SNA	
ZR24	2007-000109	R-CHIP	1Mohm,5%,1/10W,TP,1608	1	SA	
ZVL3	3301-001495	BEAD-SMD	120ohm,2012,2500mA,TP,115ohm/10	2	SA	

Loc. No.	Part No.	Description	Specification	Qty.	SNA	Remark
	0103-007285	RESIN-PC	BK0007,2.0 V2,PC/GF20%,Glass fi	2	SNA	
	0202-001463	SOLDER-WIRE	LFC2-W3.0,-,D3,99.79Sn/0.2Cu	7.35	SNA	
	0202-001477	SOLDER-CREAM	LST309-M,D20~45um,96.5Sn/3A	2.38	SNA	
	0202-001608	SOLDER-WIRE FLUX	LFC7-107,D0.8,99.3Sn/0.	0.167	SNA	
	0204-002420	SOLVENT	1M-1000,C3H70H,96	3.25	SNA	
	0204-002607	FLUX	DF-234U,13%,14KG,Gravity 0.82	2.52	SNA	
	0403-001441	DIODE-ZENER	MMSZ5239B,5%,500MW,SOD-123,T	2	SA	
	0403-001483	DIODE-ZENER	UDZS18B,17.56-18.35V,200mW,S	2	SA	
	0501-000150	TR-SMALL SIGNAL	2SA1037,PNP,200mW,SOT-23	1	SA	
	0504-000105	TR-DIGITAL	DTA114EU,PNP,200MW,10K/10K,SC	1	SA	
	1003-002268	IC-GATE DRIVER	IRS2053MTRPBF,MLPQ,48P,7X	2	SA	
	1203-006105	IC-DC/DC CONVERTER	MAX5033DUSA,SO,8P,4.9	1	SNA	
	1203-006107	IC-NEGA.FIXED REG.	KIA7905F,DPAK,3P,6.6x	1	SNA	
	1204-002968	IC-MODULATOR	PS9830B,TQFP,100P,14x14mm,P	1	SA	
	2007-000253	R-CHIP	1.5ohm,5%,1/4W,TP,3216	2	SA	
	2007-000464	R-CHIP	18ohm,5%,1/4W,TP,3216	1	SA	
	2007-000819	R-CHIP	390Kohm,5%,1/10W,TP,1608	1	SA	
	2007-001300	R-CHIP	56ohm,5%,1/2W,TP,5025	1	SNA	
	2007-007065	R-CHIP	10ohm,5%,1W,TP,6432	6	SA	
	2007-007723	R-CHIP	75Kohm,1%,1/10W,TP,1608	1	SA	
	2007-007750	R-CHIP	39ohm,1%,1W,TP,6432	1	SNA	
	2301-001760	C-FILM,MPEF	100nF,10%,250V,TP,B5xH13.5x1	6	SA	
	AH27-00081A	COIL FILTER	DBF-16A18(OFC),18.2uH,30mohm	6	SNA	
	AH41-01302B	PCB-AMP	HT-C5500,FR-4,2,02,T1.6,143x158,	1	SNA	
	AH63-02106B	SHEET-THERMAL_IC	HT-C5500,GAP PAD,2T,80,	1	SNA	
	AH97-04166A	ASSY AUTO	5500 AMP AUTO ASSY 5.1CH,2Laye	1	SNA	
	AH97-04167A	ASSY SMD	5500 AMP PCB SMD ASSY5.1CH,2Lay	1	SNA	
	AH97-04168A	ASSY MANUAL INSERT	HT-C5500,5500 AMP PCB	1	SNA	
M0014	AH94-02433B	ASSY PCB MAIN	HT-C5500,BD HOME THEATER,E	1	SA	
AAC1	2203-005249	C-CER,CHIP	100nF,10%,50V,X7R,TP,1608	12	SNA	
AAC14	2203-000888	C-CER,CHIP	4.7nF,10%,50V,X7R,TP,1608	2	SA	
AC109	2203-000783	C-CER,CHIP	0.33nF,5%,50V,C0G,1608	2	SA	
AC510	3708-001436	CONNECTOR-FPC/FFC/PIC	4P,1mm,SMD-S,SN,N	1	SA	
AC510	3708-001935	CONNECTOR-FPC/FFC/PIC	40P,0.5mm,SMD-S,AU	1	SNA	
AC510	3708-001981	CONNECTOR-FPC/FFC/PIC	28P,1mm,SMD-S,SN,N	2	SNA	
AC510	3708-002603	CONNECTOR-FPC/FFC/PIC	22P,1mm,SMD-S,SN,N	1	SNA	
AC510	3708-002619	CONNECTOR-FPC/FFC/PIC	13P,1.0MM,SMD-S,SN	1	SNA	
AD480	2203-000585	C-CER,CHIP	0.22nF,10%,50V,X7R,1005	1	SA	
AD480	2203-000679	C-CER,CHIP	0.027nF,5%,50V,C0G,1005	2	SA	
AD480	2203-002994	C-CER,CHIP	0.068nF,5%,50V,CH,BK,1005	4	SNA	
AD480	2203-005659	C-CER,CHIP	0.18nF,5%,50V,NP0,1005	1	SNA	
AD480	2203-006336	C-CER,CHIP	1000nF,10%,25V,X5R,3216	14	SA	
AD480	2203-006824	C-CER,CHIP	4700nF,10%,10V,X5R,1608	8	SNA	
AHR41	2007-001175	R-CHIP	8.2Kohm,1%,1/10W,TP,1608	1	SA	
AIC2	1002-001558	IC-A/D CONVERTER	AK5367,24,VSOP,30P,9.7x	1	SA	
AQ7	0504-000128	TR-DIGITAL	FJV3103R,NPN,200mW,22K/22Kohm	2	SA	
AR108	2007-000097	R-CHIP	47Kohm,5%,1/10W,TP,1608	2	SA	
AR150	2007-000078	R-CHIP	1Kohm,5%,1/10W,TP,1608	2	SA	

Loc. No.	Part No.	Description	Specification	Qty.	SNA	Remark
AR161	2007-001167	R-CHIP	75ohm,5%,1/10W,TP,1608	7	SNA	
AR28	2007-000683	R-CHIP	3.3Kohm,1%,1/10W,TP,1608	1	SA	
AR30	2007-001306	R-CHIP	150ohm,5%,1/16W,TP,1005	1	SA	
AR39	2007-000965	R-CHIP	5.1Kohm,5%,1/10W,TP,1608	1	SA	
AR48	2007-000431	R-CHIP	16Kohm,5%,1/10W,TP,1608	2	SA	
AR49	2007-000140	R-CHIP	1Kohm,5%,1/16W,TP,1005	34	SNA	
AR61	2007-000869	R-CHIP	4.7Kohm,1%,1/10W,TP,1608	1	SA	
AS503	AH63-02117B	SHEET-LENS	SWA-5000,PC,0.5T	1	SNA	
AVC08	2203-002398	C-CER,CHIP	22nF,10%,50V,X7R,1608	1	SNA	
AVR73	2007-000142	R-CHIP	2.7Kohm,5%,1/16W,TP,1005	4	SNA	
C	2402-000108	C-AL,SMD	10uF,20%,16V,WT,TP,4.3x4.3x5.2m	2	SA	
C	2402-001160	C-AL,SMD	330UF,20%,16V,WT,TP,1008	4	SA	
C	2402-001314	C-AL,SMD	100uF,20%,16V,WT,TP,6x5.8mm	1	SA	
C102	2203-006158	C-CER,CHIP	100nF,10%,16V,X7R,1005	85	SNA	
C125	2203-006361	C-CER,CHIP	10000nF,10%,10V,X5R,TP,2012	82	SC	
C134	2203-000257	C-CER,CHIP	10nF,10%,50V,X7R,TP,1608	1	SA	
C151	2203-003039	C-CER,CHIP	0.008nF,0.25pF,50V,C0G,TP,100	1	SNA	
C234	2203-006378	C-CER,CHIP	4700nF,10%,6.3V,X5R,TP,1608	1	SNA	
C239	2203-006047	C-CER,CHIP	33nF,10%,16V,X7R,1005	6	SA	
C254	2203-000438	C-CER,CHIP	1nF,10%,50V,X7R,TP,1005	13	SA	
C258	2203-000236	C-CER,CHIP	0.1nF,5%,50V,C0G,1608	2	SA	
C3	2203-000384	C-CER,CHIP	0.015nF,5%,50V,C0G,1608	4	SNA	
C33	2203-002687	C-CER,CHIP	1.2nF,10%,50V,X7R,TP,1005	3	SA	
C510	2203-006170	C-CER,CHIP	220nF,10%,16V,X7R,1608	2	SNA	
C600	2203-006090	C-CER,CHIP	10000nF,10%,6.3V,X5R,TP,2012	6	SA	
C637	2203-001656	C-CER,CHIP	0.47nF,5%,50V,NP0,1608	4	SNA	
C802	2203-006348	C-CER,CHIP	1000nF,10%,25V,X5R,TP,1608	1	SA	
CEIC1	AK09-00159A	IC MICOM	MC80C0316-MC015 D32,44,2.7~5.5,	1	SNA	
CEQ2	0505-000110	FET-SILICON	2N7002,N,60V,115mA,7.5ohm,0.	1	SA	
CER42	2007-000999	R-CHIP	510ohm,1%,1/10W,TP,1608	1	SA	
CIS3	AH40-00156A	TUNER	TT-705FM/RDS,MAX-DG35,FM. RDS,75 o	1	SNA	
CON2	3722-002730	JACK-MODULAR	6P/4P,USB+LAN,ANGLE,N,AU	1	SNA	
CQ3	0501-002184	TR-SMALL SIGNAL	KTD1304,NPN,200mW,SOT-23	3	SA	
D0254	0404-000002	DIODE-SCHOTTKY	CMPSH-3,30V,100mA,SOT-23,	5	SA	
D0254	0404-001006	DIODE-SCHOTTKY	RB751V,40V,30mA,SOD-323,T	1	SA	
D1	0401-001099	DIODE-SWITCHING	1N4148WS,75V,150mA,SOD-3	3	SA	
D1103	0406-001239	DIODE-TVS	RClamp0502B,6/-/-V,125W,SOT-52	2	SA	
D2505	0404-001036	DIODE-SCHOTTKY	SDB30A40,40V,3000mA,SOD-1	2	SA	
DC1	2203-000386	C-CER,CHIP	.015nF,5%,50V,C0G,TP,1005	1	SA	
DC25	2203-000812	C-CER,CHIP	.033nF,5%,50V,C0G,1005	39	SA	
DOIC1	AH14-10004R	IC-CMOS LOGIC	74HCU04,INVERTER,SOP,14P,1	1	SNA	
DR37	2007-000932	R-CHIP	470ohm,5%,1/16W,TP,1005	1	SNA	
DR39	2007-000162	R-CHIP	100Kohm,5%,1/16W,TP,1005	4	SNA	
DR4	2007-007142	R-CHIP	10Kohm,1%,1/16W,TP,1005	1	SNA	
DS01A	0401-001049	DIODE-SWITCHING	LS4148,75V,150mA,SOD-80,	1	SA	
DU501	1203-001824	IC-VOL. DETECTOR	7042,SOT-89,3P,PLASTIC,	1	SA	
EH01	3711-005960	HEADER-BOARD TO CABLE	BOX,15P,1R,2mm,SMD	1	SA	
F103	2901-001302	FILTER-EMI SMD	20V,0.3A,0pF,2.0x1.2x1.3m	3	SA	

Loc. No.	Part No.	Description	Specification	Qty.	SNA	Remark
FMR4	2007-000080	R-CHIP	2Kohm,5%,1/10W,TP,1608	2	SNA	
HD9	1405-001192	VARISTOR	12Vdc,30A,1.6x0.8x0.55mm,TP	29	SA	
HDC11	2203-006562	C-CER,CHIP	1000nF,10%,10V,X5R,TP,1005	7	SNA	
HDR2	2007-000151	R-CHIP	15Kohm,5%,1/16W,TP,1005	3	SNA	
HDR7	2007-000139	R-CHIP	220ohm,5%,1/16W,TP,1005	2	SNA	
HDR7	2007-000570	R-CHIP	220ohm,1%,1/10W,TP,1608	1	SA	
HE4	2203-006474	C-CER,CHIP	22000nF,20%,6.3V,X5R,2012	17	SA	
HR8	2703-000166	INDUCTOR-SMD	2.7uH,5%,3225	2	SA	
HRP2	2011-001344	R-NETWORK	100ohm,5%,1/16W,L,CHIP,8P,TP,2	14	SA	
IC104	0801-002518	IC-CMOS LOGIC	74LCX157,2-INPUT MULTIPLEX	3	SA	
IC104	0801-002564	IC-CMOS LOGIC	74VHCT244A,BUFFER,TSSOP,20	1	SA	
IC112	1103-001410	IC-EEPROM	S-24CS08AFJ-TB-1GE,8Kbit,1Kx8,	2	SA	
IC113	1105-002066	IC-DRAM	K4B1G1646E-HCH9,DDR3 SDRAM,1Gbit	1	SNA	
IC113	1105-002083	IC-DRAM	K4B1G0846E-HCH9,DDR3 1G SDRAM,1G	2	SNA	
IC520	0903-001565	IC-MICROCONTROLLER	LC87F5NC8AVU,QFP,100P	1	SNA	
IC520	0903-001638	IC-MICROCONTROLLER	EPF005N,LQFP,64P,7x7m	1	SNA	
IC520	0903-001642	IC-MICROCONTROLLER	EP94A2K,LQFP,128P,14x	1	SNA	
JA333	3722-003021	JACK-PIN	6P (W/L),NI+SN,RED/BLU/GRN/YEL/	1	SNA	
JC10	2203-006324	C-CER,CHIP	2200nF,10%,10V,X5R,1608	1	SA	
JC31	2203-000715	C-CER,CHIP	3.3nF,10%,50V,X7R,1608	3	SNA	
KAR11	2007-000124	R-CHIP	2.2Kohm,5%,1/10W,TP,1608	3	SNA	
KAR21	2007-000070	R-CHIP	0ohm,5%,1/10W,TP,1608	2	SA	
KAR7	2007-000120	R-CHIP	680ohm,5%,1/10W,TP,1608	1	SNA	
KOP1	1201-000163	IC-OP AMP	4560,SOP,8P,173MIL,DUAL,100V/m	2	SA	
KQ1	0501-000279	TR-SMALL SIGNAL	KSA1182-Y,PNP,150mW,SOT-	2	SA	
KR7	2007-000402	R-CHIP	150ohm,5%,1/10W,TP,1608	4	SA	
L8	2703-000402	INDUCTOR-SMD	1uH,20%,3225	3	SNA	
MC2	2203-000254	C-CER,CHIP	10nF,10%,16V,X7R,TP,1005	6	SA	
MC9	2203-000627	C-CER,CHIP	.022nF,5%,50V,C0G,TP,1005	4	SNA	
MIC2	1105-001573	IC-DRAM	K4S281632,-,128Mbit,8Mx16Bit,TSO	1	SA	
MR10	2007-007141	R-CHIP	240ohm,5%,1/16W,TP,1005	1	SNA	
MR103	2007-000308	R-CHIP	10ohm,5%,1/8W,TP,2012	6	SA	
MR11	2007-008015	R-CHIP	75ohm,1%,1/16W,TP,1005	14	SNA	
MR122	2007-000094	R-CHIP	22Kohm,5%,1/10W,TP,1608	1	SA	
MR13	2007-000092	R-CHIP	15Kohm,5%,1/10W,TP,1608	2	SA	
MR13	2007-000157	R-CHIP	47Kohm,5%,1/16W,TP,1005	26	SNA	
MR16	2007-000168	R-CHIP	470Kohm,5%,1/16W,TP,1005	2	SNA	
MR306	2007-000141	R-CHIP	2.2Kohm,5%,1/16W,TP,1005	4	SNA	
MR39	2007-000242	R-CHIP	1.5Kohm,5%,1/16W,TP,1005	7	SNA	
MR604	2007-000137	R-CHIP	2Kohm,5%,1/16W,TP,1005	2	SNA	
MR8	2007-000503	R-CHIP	2.2ohm,5%,1/10W,TP,1608	3	SA	
MROP1	2007-000090	R-CHIP	10Kohm,5%,1/10W,TP,1608	1	SA	
MX1	2801-004284	CRYSTAL-SMD	27MHz,10ppm,28-AAN,20pF,30oh	1	SA	
OTR1	2007-001292	R-CHIP	33ohm,5%,1/16W,TP,1005	90	SNA	
PC11	2203-006141	C-CER,CHIP	1000nF,10%,16V,X5R,1608	5	SNA	
PC43	2203-000233	C-CER,CHIP	0.1nF,5%,50V,C0G,TP,1005	2	SA	
PPC2	2203-005148	C-CER,CHIP	100nF,10%,16V,X7R,TP,1608	5	SNA	
PPR2	2007-000343	R-CHIP	120ohm,1%,1/10W,TP,1608	3	SA	

Loc. No.	Part No.	Description	Specification	Qty.	SNA	Remark
PR12	2007-000979	R-CHIP	5.6Kohm,1%,1/10W,TP,1608	2	SA	
PR2	2007-000651	R-CHIP	27Kohm,1%,1/10W,TP,1608	1	SA	
PR4	2007-000052	R-CHIP	10Kohm,1%,1/10W,TP,1608	2	SA	
Q373	0501-000546	TR-SMALL SIGNAL	KSA1298,PNP,200mW,SOT-23	1	SNA	
Q375	0504-000126	TR-DIGITAL	KSR1101,NPN,200mW,4.7K/4.7Koh	1	SA	
Q409	0505-001170	FET-SILICON	FDS9933A,P,-20V,3.8A,0.075oh	2	SA	
Q409	0505-002491	FET-SILICON	AO4404BL,N,30V,8.5A,0.048ohm	1	SNA	
Q601	0504-000129	TR-DIGITAL	KSR1104,NPN,200mW,47K/47Kohm,	1	SA	
Q613	0501-000465	TR-SMALL SIGNAL	MMBT3904,NPN,350mW,SOT-2	7	SA	
Q806	0504-000152	TR-DIGITAL	KSR2101,PNP,200mW,4.7K/4.7Koh	1	SA	
R1	2007-002425	R-CHIP	1ohm,5%,1/10W,TP,1608	3	SNA	
R102	2007-000149	R-CHIP	12Kohm,5%,1/16W,TP,1005	1	SA	
R104	2007-000148	R-CHIP	10Kohm,5%,1/16W,TP,1005	103	SA	
R105	2007-000138	R-CHIP	100ohm,5%,1/16W,TP,1005	53	SA	
R111	2007-000171	R-CHIP	0ohm,5%,1/16W,TP,1005	38	SNA	
R114	2007-001101	R-CHIP	62ohm,5%,1/10W,TP,1608	1	SA	
R123	2007-000159	R-CHIP	56Kohm,5%,1/16W,TP,1005	1	SNA	
R123	2007-000159	R-CHIP	56Kohm,5%,1/16W,TP,1005	4	SNA	
R124	2007-000775	R-CHIP	33Kohm,5%,1/16W,TP,1005	2	SNA	
R16	2007-001313	R-CHIP	330ohm,5%,1/16W,TP,1005	3	SNA	
R1P151	2007-000121	R-CHIP	820ohm,5%,1/10W,TP,1608	1	SA	
R1S36	2007-000491	R-CHIP	2.2Kohm,1%,1/10W,TP,1608	1	SA	
R299	2007-000772	R-CHIP	33Kohm,1%,1/10W,TP,1608	2	SA	
R319	2007-000143	R-CHIP	4.7Kohm,5%,1/16W,TP,1005	21	SNA	
R326	2007-001325	R-CHIP	3.3Kohm,5%,1/16W,TP,1005	5	SNA	
R338	2007-000173	R-CHIP	22ohm,5%,1/16W,TP,1005	2	SNA	
R3508	2007-001038	R-CHIP	56Kohm,1%,1/10W,TP,1608	1	SA	
R38	2007-000640	R-CHIP	270ohm,1%,1/10W,TP,1608	1	SA	
R401	2007-000034	R-CHIP	1ohm,5%,1/4W,TP,3216	4	SNA	
R509	2007-000170	R-CHIP	1Mohm,5%,1/16W,TP,1005	6	SNA	
R510	2007-000108	R-CHIP	510Kohm,5%,1/10W,TP,1608	2	SA	
R528	2007-000835	R-CHIP	39ohm,1%,1/10W,TP,1608	2	SA	
R700	1404-001328	THERMISTOR-NTC	10Kohm,0A,3370K,0mW/C,0uF	1	SNA	
R726	2007-000695	R-CHIP	3.3ohm,5%,1/10W,TP,1608	9	SNA	
R8	2007-007721	R-CHIP	560ohm,1%,1/10W,TP,1608	1	SA	
R813	2007-000643	R-CHIP	270ohm,5%,1/10W,TP,1608	1	SNA	
R893B	2007-000122	R-CHIP	1.2Kohm,5%,1/10W,TP,1608	1	SA	
REG3	1203-002935	IC-POSI.ADJUST REG.	AIC1117AGE,TO-252,3P	1	SA	
S.N.A	3301-001808	BEAD-SMD	120ohm,1005,TP,530ohm/390MHz,12	34	SA	
T0052	2703-000158	INDUCTOR-SMD	1uH,10%,2012	2	SA	
T0052	2703-003559	INDUCTOR-SMD	4.7uH,20%,8080	2	SNA	
T0074	1201-003013	IC-VIDEO AMP	MM1797EVBE,TSOP-16B,16P,5x4	1	SNA	
T0087	1203-002253	IC-POSI.FIXED REG.	KIA7808AF,DPAK,3P,260	1	SA	
T0087	1203-002842	IC-POSI.FIXED REG.	AP1117D-33,TO-252,3P,	1	SA	
T0087	1203-003695	IC-POSI.FIXED REG.	NCP1117ST33T3G,SOT-22	1	SA	
T0122	2802-001165	RESONATOR-CERAMIC	4MHz,0.5%,TP,4.5x2.0x1	1	SNA	
T0122	2802-001196	RESONATOR-CERAMIC	10MHz,0.5%,TP,3.2x1.3x	1	SNA	
T0139	0406-001271	DIODE-TVS	RCLAMP0524P,6/-V,150W,SLP251	4	SNA	
T0568	3301-001404	BEAD-SMD	30ohm,2012,TP,15.9OHM/30MHz	54	SA	

Loc. No.	Part No.	Description	Specification	Qty.	SNA	Remark
U1502	1203-001212	IC-VOL. DETECTOR	7029,SOT-89,3P,-,PLASTI	1	SA	
U303	1001-001482	IC-ANALOG SWITCH	MAX4610CUD,SPST CMOS,TS	1	SNA	
U309	1201-000166	IC-OP AMP	LM358,SOP,ST,8P,150MIL,DUAL,10	2	SA	
U603	0802-001007	IC-CMOS LOGIC	74LCX244,BUFFER/LINE DRIVE	1	SA	
UCW0	3708-000448	CONNECTOR-FPC/FFC/PIC	6P,1.25mm,STRAIGHT	1	SA	
UR53	2007-000305	R-CHIP	10Mohm,5%,1/10W,TP,1608	2	SA	
VC37	2203-006048	C-CER,CHIP	100nF,10%,10V,X7R,TP,1005	118	SA	
VL6	2703-000398	INDUCTOR-SMD	10uH,10%,3225	1	SA	
WR15B	2007-001044	R-CHIP	56ohm,5%,1/10W,TP,1608	4	SA	
X202	2801-003843	CRYSTAL-SMD	18.432MHz,30ppm,SMD,20pF,50o	1	SA	
X202	2801-004008	CRYSTAL-SMD	24MHz,20ppm,28-AAN,12pF,30oh	1	SA	
X202	2801-004371	CRYSTAL-SMD	12.288MHz,50ppm,SX-1,18pF,50	1	SNA	
ZRN10	2011-001261	R-NETWORK	33ohm,5%,1/16W,L,CHIP,8P,TP,2.	10	SA	
ZVL3	3301-001495	BEAD-SMD	120ohm,2012,2500mA,TP,115ohm/10	3	SA	
	0202-001477	SOLDER-CREAM	LST309-M,D20~45um,96.5Sn/3A	1	SNA	
	0202-001608	SOLDER-WIRE FLUX	LFC7-107,D0.8,99.3Sn/0.	0.167	SNA	
	0202-001767	SOLDER-CREAM	LST-5710,D20~38,Sn-57Bi-1Ag	2.788	SNA	
	0403-001797	DIODE-ZENER	NZH3V0B,2.85/3.15V,500mW,SOD	1	SNA	
	0904-002352	IC-DSP	TMS320DA788B,TQFP,144P,20.2x20.2m	1	SA	
	1001-001298	IC-ANALOG SWITCH	L10X,10P,2.1x1.6,1,1.65	4	SNA	
	1003-002187	IC-MOTOR DRIVER	AM9268,SOP,42P,18x7.5mm,	1	SA	
	1003-002188	IC-MOTOR DRIVER	AM9858,SOP,28P,18x7.5mm,	1	SNA	
	1006-001438	IC-BUS DRIVER	R5H30201NA04NQ08,QFN,20P,4	1	SA	
	1107-001844	IC-NOR FLASH	MX29LV160DTTI-70G,16Mbit,2M	1	SNA	
	1107-001887	IC-NAND FLASH	NAND02GW3B2DN6,2Gbit,256Mx	1	SNA	
	1203-005469	IC-POWER SUPERVISOR	MIC2009YM6,SOT-23,6P	1	SA	
	1203-005526	IC-DC/DC CONVERTER	AOZ1025DIL,DFN,16P,5x	1	SA	
	1203-006067	IC-POWER SUPERVISOR	TPS2553DBVR,SOT-23,6	1	SNA	
	1203-006104	IC-DC/DC CONVERTER	MP8707EN,SOIC8E,8P,4.	2	SA	
	1204-003090	IC-VIDEO DECODER	BCM7630,FCBGA,422P,19x1	1	SNA	
	1205-003160	IC-CODEC	AK4113VF,VSOP,30P,9.7x5.6mm,PLA	1	SA	
	2007-000146	R-CHIP	6.8Kohm,5%,1/16W,TP,1005	1	SNA	
	2007-000606	R-CHIP	240ohm,1%,1/10W,TP,1608	4	SA	
	2007-000657	R-CHIP	27ohm,1%,1/10W,TP,1608	1	SA	
	2007-000946	R-CHIP	47ohm,1%,1/10W,TP,1608	1	SA	
	2007-001329	R-CHIP	7.5Kohm,5%,1/16W,TP,1005	1	SA	
	2007-002768	R-CHIP	6.2Kohm,1%,1/10W,TP,1608	1	SA	
	2007-002915	R-CHIP	4.02Kohm,1%,1/10W,TP,1608	1	SA	
	2007-007008	R-CHIP	300ohm,5%,1/16W,TP,1005	1	SNA	
	2007-007132	R-CHIP	15Kohm,1%,1/16W,TP,1005	1	SA	
	2007-007135	R-CHIP	18Kohm,1%,1/16W,TP,1005	2	SNA	
	2007-007313	R-CHIP	6.8Kohm,1%,1/16W,TP,1005	1	SA	
	2007-007315	R-CHIP	3.9Kohm,1%,1/16W,TP,1005	1	SNA	
	2007-007318	R-CHIP	1Kohm,1%,1/16W,TP,1005	2	SNA	
	2007-007334	R-CHIP	200Kohm,1%,1/16W,TP,1005	1	SNA	
	2007-007467	R-CHIP	12.1Kohm,1%,1/16W,TP,1005	1	SA	
	2007-007698	R-CHIP	5.1Kohm,1%,1/16W,TP,1005	1	SNA	
	2007-007798	R-CHIP	10ohm,1%,1/16W,TP,1005	8	SA	

Loc. No.	Part No.	Description	Specification	Qty.	SNA	Remark
	2007-008275	R-CHIP	30Kohm,1%,1/16W,TP,1005	2	SNA	
	2007-008453	R-CHIP	1.24Kohm,1%,1/16W,TP,1005	1	SNA	
	2011-001345	R-NETWORK	10Kohm,5%,1/16W,L,CHIP,8P,TP,2	3	SA	
	2402-001185	C-AL,SMD	2.2UF,20%,50V,WT,TP,4.3X4.3X6MM	1	SA	
	2703-003426	INDUCTOR-SMD	4.7uH,20%,12x12mm	1	SA	
	3701-001293	CONNECTOR-HDMI	19P,2R,FEMALE,SMD-A,AU	3	SA	
	3707-001093	CONNECTOR-OPTICAL	ANGLE-RX	1	SA	
	3709-001592	CONNECTOR-CARD EDGE	22P,1.27mm,ANGLE,SN,	1	SNA	
	3710-002628	SOCKET-INTERFACE	18P,1R,0.5mm,SMD-A,NI	1	SNA	
	AH41-01304B	PCB MAIN	HT-C5500,FR-4,4,02,T1.2,238x142	1	SNA	
	AH97-04200A	ASSY SMD	HT-C5500,MAIN SMD ASSY,FR-4,4,0	1	SNA	
	AH97-04201A	ASSY MANUAL INSERT	HT-C5500,BD HTS,MAIN	1	SNA	
	AH97-04877A	ASSY MICOM-MICOM IC	HTB-C5500WWM-1002.0,	1	SNA	
	AH97-04879A	ASSY MICOM-MICOM IC	HT-C6500,AH,EFP005N,	1	SNA	
	AH97-04880A	ASSY MICOM-NOR FLASH	BD-5500ROM-0015,201	1	SNA	
	AH97-04891A	ASSY MICOM-NAND FLASH	HTB-C5500WWB-1003.	1	SNA	
	AK62-00029B	HEAT SINK-ES	HT-C5500,A6063,Pushpin+Grea	1	SNA	
	AH90-00563D	ASSY MISC-SMPS-SERK(C5500)	HT-C5500	1	SNA	
P001A	AH94-02449D	ASSY PCB SMPS	HT-C5500_220V,BD HTS,1	1	SA	
SHT3	AH63-02160D	SHEET-GASKET MAIN	HT-C5500,GASKET,10,15,	1	SNA	
	D001A	AK96-01192J	ASSY ENGINE P-BD DECK SKD	BD-P6C,OEM,1B,	1	SNA
D001A	AK96-01214J	ASSY ENGINE P-BD DECK	BD-P6C,OEM,1B	1	SA	
W392	6003-000282	SCREW-TAPTYPE	BH,+,-,B,M3,L8,ZPC(BLK),SW	3	SA	
W275	6003-001561	SCREW-TAPTYPE	BH,+,-,B,M3,L6,ZPC(WHT),SW	11	SA	
SHT3	AH63-02160A	SHEET-GASKET.HDMI	HT-C5500,EMI GASKET,0.	1	SNA	
SHT3	AH63-02160B	SHEET-GASKET.BOT	HT-C5500,GASKET,3,4,4	1	SNA	
	MK01A	AH94-02432B	ASSY PCB KEY	HT-C5500,BD HOME THEATER,FR	1	SNA
6MC22	2203-000975	C-CER,CHIP	47nF,10%,25V,X7R,TP,1608,-	5	SNA	
AC510	3708-001618	CONNECTOR-FPC/FFC/PIC	5P,1mm,SMD-A,Sn-Pb	4	SA	
AQ7	0504-000128	TR-DIGITAL	FJV3103R,NPN,200mW,22K/22Kohm	3	SA	
AQ8	0504-000156	TR-DIGITAL	KSR2103,PNP,200MW,22K/22K,SOT	1	SA	
AR164	2007-000076	R-CHIP	330ohm,5%,1/10W,TP,1608	6	SA	
AR49	2007-000140	R-CHIP	1Kohm,5%,1/16W,TP,1005	13	SNA	
AS420	3406-001146	SWITCH-ROTARY	5V DC,HOLLOW-SHAFT	1	SA	
C102	2203-006158	C-CER,CHIP	100nF,10%,16V,X7R,1005	18	SNA	
C125	2203-006361	C-CER,CHIP	10000nF,10%,10V,X5R,TP,2012	1	SC	
C134	2203-000257	C-CER,CHIP	10nF,10%,50V,X7R,TP,1608	4	SA	
CN353	3708-001994	CONNECTOR-FPC/FFC/PIC	15P,1mm,SMD-A,SN,N	1	SNA	
FL261	3809-002351	FFC CABLE-FLAT	30V,80C,185mm,5P,1.0mm,UL	1	SNA	
FL261	3809-002357	FFC CABLE-FLAT	30V,80C,90mm,15P,1.0mm,UL	1	SA	
FL261	3809-002359	FFC CABLE-FLAT	30V,80C,45mm,5P,1mm,UL206	1	SNA	
HDR7	2007-000139	R-CHIP	220ohm,5%,1/16W,TP,1005	2	SNA	
IS01	1209-001866	IC-SENSOR	SS501,SOT-26,6P,2.9x1.6mm,PLAS	1	SA	
IS01A	1209-001864	IC-SENSOR	TOUCHCORE1.0,QFN,20P,4x4mm,PLA	1	SA	
KAR7	2007-000120	R-CHIP	680ohm,5%,1/10W,TP,1608	1	SNA	

Loc. No.	Part No.	Description	Specification	Qty.	SNA	Remark
KR7	2007-000402	R-CHIP	150ohm,5%,1/10W,TP,1608	1	SA	
L0405	0601-002094	LED	SMD(TOP VIEW),WHT,1.6x0.8x0.4mm,1.6x	7	SA	
L0405	0601-002705	LED	SMD(SIDE VIEW),WHT,3.8x1.2x0.6mm,632	7	SA	
L0405	0601-002706	LED	SMD(SIDE VIEW),RED,3.8x1.2x0.6mm,632	1	SA	
L0405	0601-002823	LED	SMD(TOP VIEW),BLUE,3.5x2.7x1.8mm	4	SNA	
MR166	2007-000119	R-CHIP	560ohm,5%,1/10W,TP,1608	4	SA	
MROP1	2007-000090	R-CHIP	10Kohm,5%,1/10W,TP,1608	8	SA	
R104	2007-000148	R-CHIP	10Kohm,5%,1/16W,TP,1005	1	SA	
R111	2007-000171	R-CHIP	0ohm,5%,1/16W,TP,1005	2	SNA	
WL02	3301-001069	BEAD-SMD	120ohm,1.6x0.8x0.8mm,200mA,TP,,	5	SNA	
	0202-001477	SOLDER-CREAM	LST309-M,D20~45um,96.5Sn/3A	0.189	SNA	
	0202-001608	SOLDER-WIRE FLUX	LFC7-107,D0.8,99.3Sn/0.	0.05	SNA	
	0406-001128	DIODE-TVS	MLVS-0603-E08,50V	1	SA	
	2007-001316	R-CHIP	820ohm,5%,1/16W,TP,1005	1	SA	
	2007-007334	R-CHIP	200Kohm,1%,1/16W,TP,1005	8	SNA	
	AH41-01303A	PCB-KEY	HT-C5500,CEM-3,2,00,T1.6,160x190	1	SNA	
	AH97-04884A	ASSY MICOM-MICOM IC	HT_C5500_100111_R04,	1	SNA	
	AH97-04953A	ASSY SMD	C5500,ASSY SMD,KEY(XAA),2,AH94-	1	SNA	
MF01A	AH94-02431D	ASSY PCB FRONT	HT-C5500,BD HOME THEATER,	1	SA	
AAC1	2203-005249	C-CER,CHIP	100nF,10%,50V,X7R,TP,1608	9	SNA	
AC510	3708-001666	CONNECTOR-FPC/FFC/PIC	28P,1MM,ANGLE,SN	1	SA	
AD480	2203-000979	C-CER,CHIP	47nF,10%,50V,X7R,TP,2012	1	SNA	
AF020	AH63-02108A	FILTER-VFD	HT-C5500,PC,0.5T,90,25,VIOLET	1	SNA	
AH410	AH61-03026A	HOLDER-VFD	HT-C5500,ABS,2.5,89,19,BLK	1	SNA	
AR30	2007-000074	R-CHIP	100ohm,5%,1/10W,TP,1608	3	SA	
AS080	AH63-01262A	SHEET	SHEET,PC	1	SNA	
AS088	AH63-01938B	SHEET-FILTER	HT-Z120,FABRIC,0.4,10,75,BL	1	SNA	
C125	2203-006361	C-CER,CHIP	10000nF,10%,10V,X5R,TP,2012	3	SC	
CN2	3722-002313	JACK-USB	4P/1C,AU30U,BLK,STRAIGHT,A TYPE	1	SA	
CN353	3708-001994	CONNECTOR-FPC/FFC/PIC	15P,1mm,SMD-A,SN,N	1	SNA	
D0254	0404-000002	DIODE-SCHOTTKY	CMPSH-3,30V,100mA,SOT-23,	2	SA	
DR10	2007-000113	R-CHIP	33ohm,5%,1/10W,TP,1608	2	SA	
DR32	3301-000314	BEAD-SMD	120ohm,1.6x0.8x0.8mm,-,-,-	1	SNA	
EV01	AH07-00260A	VF DISPLAY	HNV-09SS82T,HT-C5500,90.0*16.	1	SA	
FL06	3809-002518	FFC CABLE-FLAT	30V,80C,220mm,28P,1.0mm,U	1	SA	
HDC24	2402-000008	C-AL,SMD	47uF,20%,16V,GP,TP,6.6x6.6x5.4	1	SNA	
HJ1	3722-001588	JACK-PHONE	7P,AG,BLK,STRAIGHT	1	SA	
L8	2703-000402	INDUCTOR-SMD	1uH,20%,3225	1	SNA	
MROP1	2007-000090	R-CHIP	10Kohm,5%,1/10W,TP,1608	2	SA	
PR6	2007-000072	R-CHIP	47ohm,5%,1/10W,TP,1608	1	SNA	
R830	2007-000101	R-CHIP	82Kohm,5%,1/10W,TP,1608	1	SA	
UIC2	0609-001189	MODULE REMOCON	HORIZONTAL,16.4mm,TR	1	SC	
	0103-004628	RESIN-HIPS	BK0020,HB,HIPS,High Flow HIPS	15	SNA	
	0202-001463	SOLDER-WIRE	LFC2-W3.0,-,D3,99.79Sn/0.2Cu	3.471	SNA	
	0202-001477	SOLDER-CREAM	LST309-M,D20~45um,96.5Sn/3A	0.189	SNA	
	0202-001608	SOLDER-WIRE FLUX	LFC7-107,D0.8,99.3Sn/0.	0.096	SNA	
	0203-001362	TAPE-DOUBLE FACE	0203-001362	1	SNA	

Loc. No.	Part No.	Description	Specification	Qty.	SNA	Remark
	0204-002420	SOLVENT	1M-1000,C3H7OH,96	1.2	SNA	
	0204-002607	FLUX	DF-234U,13%,14KG,Gravity 0.82	0.93	SNA	
	0406-001128	DIODE-TVS	MLVS-0603-E08,50V	3	SA	
	1003-002194	IC-VFD	PT6324-QL,QFP,52P,14.0x14.0mm,-40	1	SA	
	AH41-01305A	PCB-FRONT	HT-C5500,CEM-3,2,00,T1.6,238x1	1	SNA	
	AH97-04956A	ASSY SMD	BD HOME THEATER,FRONT(XAA),2,AH	1	SNA	
	AH97-04957A	ASSY MANUAL INSERT	HT-C5500,XEF,FRNT SMD	1	SNA	
	AH91-00123B	ASSY SHIELD	HT-C5500	1	SNA	
FIL	0203-000007	TAPE-FILAMENT	T0.15,L55M,TRP	0.3	SNA	
T0268	3903-000403	CBF-POWER CORD	AT,EU,CP2,HOUSING(2P),250	1	SA	
	AH92-03273B	ASSY LABEL	HT-C5500,XEE	1	SNA	
	AH68-01929K	LABEL RATING	HT-C720,EDC,SILVER,0.1,92MM	1	SNA	
	AH68-02278C	LABEL-POP STAND	HT-C5500/XEF,SEF,ART PAP	1	SNA	
	ACCE1	AH92-03295F	ASSY ACCESSORY	HT-C5500,EDC-1	1	SNA
REMO2	AH59-02299A	REMOCON	TM1051,MULTI 24P,49,3V,C5500-2	1	SA	
M-CLEA	AH68-01984A	MANUAL-CLEANING	HT-X200,ART PAPER	1	SNA	
HT004	AH81-02286C	A/S-EYEGLASS CLOTH	HT-TXQ120,POLY-BLOOTH	1	SNA	
CRA1A	AH96-00051A	ASSY MISC P-IPOD CRADLE	HT-Z520,XAA,89*5	1	SA	
	AH96-00476E	ASSY ACCESSORY-MANUAL	HT-C5500	1	SNA	
PE I/B	6902-000385	BAG PE	LDPE,T0.03,W250,L350,TRP,8,1PE MA	1	SNA	
	AH68-02258G	MANUAL USERS	HT-C5500,EDC,POL/HUN/SK/CZ/	1	SNA	
	AH68-02258H	MANUAL USERS	HT-C5500,EDC,GRE/ROM/BUL/SE	1	SNA	
	AH68-50254B	LABEL-SERIAL	T0.1,L10,W42,SME/SEHZ	1	SNA	
ACCE2	AH96-00476F	ASSY ACCESSORY-CABLE	HT-C5500	1	SNA	
	6801-001763	CARD-REGISTRATION	Europe Registration,XE	1	SNA	
PE I/B	6902-000385	BAG PE	LDPE,T0.03,W250,L350,TRP,8,1PE MA	1	SNA	
	AH30-00099A	MICROPHONE-ASSY-ASC MIC	10V,150 to 450uA	1	SNA	
C-AUDI	AH39-40001V	CABLE-AUDIO CABLE	-,1P-1P,3000mm,-,-,-	1	SA	
M0025	AH42-00021A	ANT FM T	T18011F-1,75 ohm,1800mm	1	SA	
	AH68-02258F	MANUAL USERS	HT-C5500,EDC,ENG/FRN/GER/IT	1	SNA	
	AH68-50254B	LABEL-SERIAL	T0.1,L10,W42,SME/SEHZ	1	SNA	
	AK68-01811H	MANUAL FLYER-WARRANTY CARD	comm,Samsung,	1	SNA	
S.N.A	4301-001035	BATTERY-ALKALINE	1.5V,0mAH,LR03,10.5x44.	2	SNA	
	AH92-03307H	ASSY P/MATERIAL	HT-C5500	1	SNA	
S.N.A	0203-001100	TAPE-OPP MASKING	OPP/W75/CLR,T0.075,W75,	1.5	SNA	
	6902-000604	BAG WRAPPING	LDPE,T0.02,W500,L10000,TRP,	1.3	SNA	
	AH69-02898A	CUSHION-SET	HT-C5500,EPS,16.7 g/l	1	SNA	
SP04A	AH96-00322C	ASSY SPEAKER P-SATELLITE SPEA		1	SA	
	AH61-03030A	CASE-REAR TOP	PS-C370,HIPS,2.8T,90,610,B	4	SNA	
	0103-004628	RESIN-HIPS	BK0020,HB,HIPS,High Flow HIPS	1,900.	SNA	
	AH61-03031A	CASE-REAR BTM	PS-C370,HIPS,2.8T,90,720,B	4	SNA	
	0103-004628	RESIN-HIPS	BK0020,HB,HIPS,High Flow HIPS	1,940.	SNA	
	AH61-03032A	STAND-COVER	PS-C370,ABS,2.8T,240,240,BLA	4	SNA	

Loc. No.	Part No.	Description	Specification	Qty.	SNA	Remark
M0112	0103-005096	RESIN-ABS	HB,ABS+PMMA	976	SNA	
	AH63-02079A	COVER-FRONT	PS-C230,ABS,3.0T,BLACK,C1 SP	1	SNA	
	0103-005096	RESIN-ABS	HB,ABS+PMMA	254	SNA	
	AH63-02143A	COVER-TWEETER	PS-C230,ABS,3.0T,BLACK,C1	1	SNA	
	0103-004628	RESIN-HIPS	BK0020,HB,HIPS,High Flow HIPS	4	SNA	
	AH64-05237A	PANEL-FRONT BTM	PS-C370,ABS,2.8,90,720,-	4	SNA	
	0103-005096	RESIN-ABS	HB,ABS+PMMA	708	SNA	
	AH64-05238A	PANEL-FRONT TOP	PS-C370,ABS,2.8,90,600,-	2	SNA	
	0103-005096	RESIN-ABS	HB,ABS+PMMA	400	SNA	
	AH64-05260A	PANEL-REAR	PS-C230,HIPS,3.0T,BLACK,C1 SP	1	SNA	
	0103-004628	RESIN-HIPS	BK0020,HB,HIPS,High Flow HIPS	143	SNA	
	AH64-05262A	PANEL-FRONT TOP	PS-CT2,ABS,2.8,90,600,-,	2	SNA	
	0103-005096	RESIN-ABS	HB,ABS+PMMA	400	SNA	
	AH67-00561A	PARTITION-MIDDLE	PS-C370,ABS,2.8T,83,56,	4	SNA	
	0103-004628	RESIN-HIPS	BK0020,HB,HIPS,High Flow HIPS	160	SNA	
AD150	AH61-03033A	STAND-STEEL	PS-C370,EGI-SECC,2.0T,220,22	4	SNA	
	AH64-05239A	DECORATION-FRONT	PS-C370,ABS,2.8T,94,10,	4	SNA	
	BN69-00257B	PACKING-PAD	PAPER,CB-SW4,1130,820,YEL,28	1	SNA	
	BN69-03982D	PAD PACKING-EDGE	LB6T,PAPER,8,120,1900,Y	1	SNA	
NITRON	6902-000062	BAG PE	HDPE/NITRON/HDPE,T0.02/0.5/T0.02,	1	SNA	
SP03A	BN69-04451R	PALLET	-,WOOD,910,1255,135,17000,-,SESK-	1	SNA	
	AH96-00625A	ASSY SPEAKER P-W0 SUBWOOF	W0 SUBW	1	SA	
L-BARC	AH92-03313H	ASSY BOX	HT-C5500	1	SNA	
	AH68-00371A	LABEL-BAR CODE	ALL,ALL,ART PAPER,0.1,80,	1	SNA	
	AH69-02935C	BOX-SET	HT-C5550/XEF,CB,DW, A-1, HIGH-FL	1	SNA	

MEMO