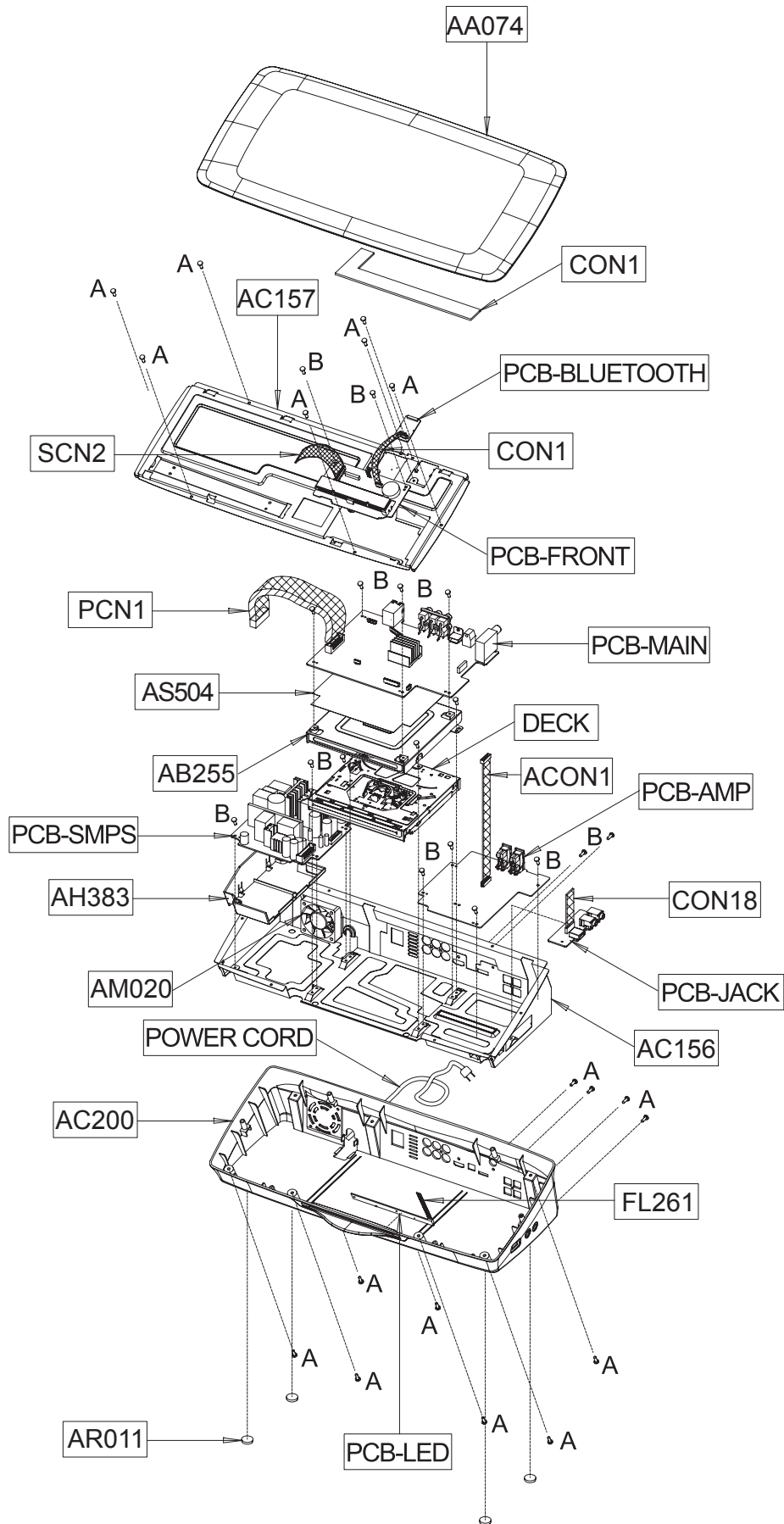

5. Exploded View & Part List

5-1	Exploded View	5-2
5-2	DECK Exploded View.....	5-4
5-3	Speaker System.....	5-6
5-4	Electrical Part List.....	5-7

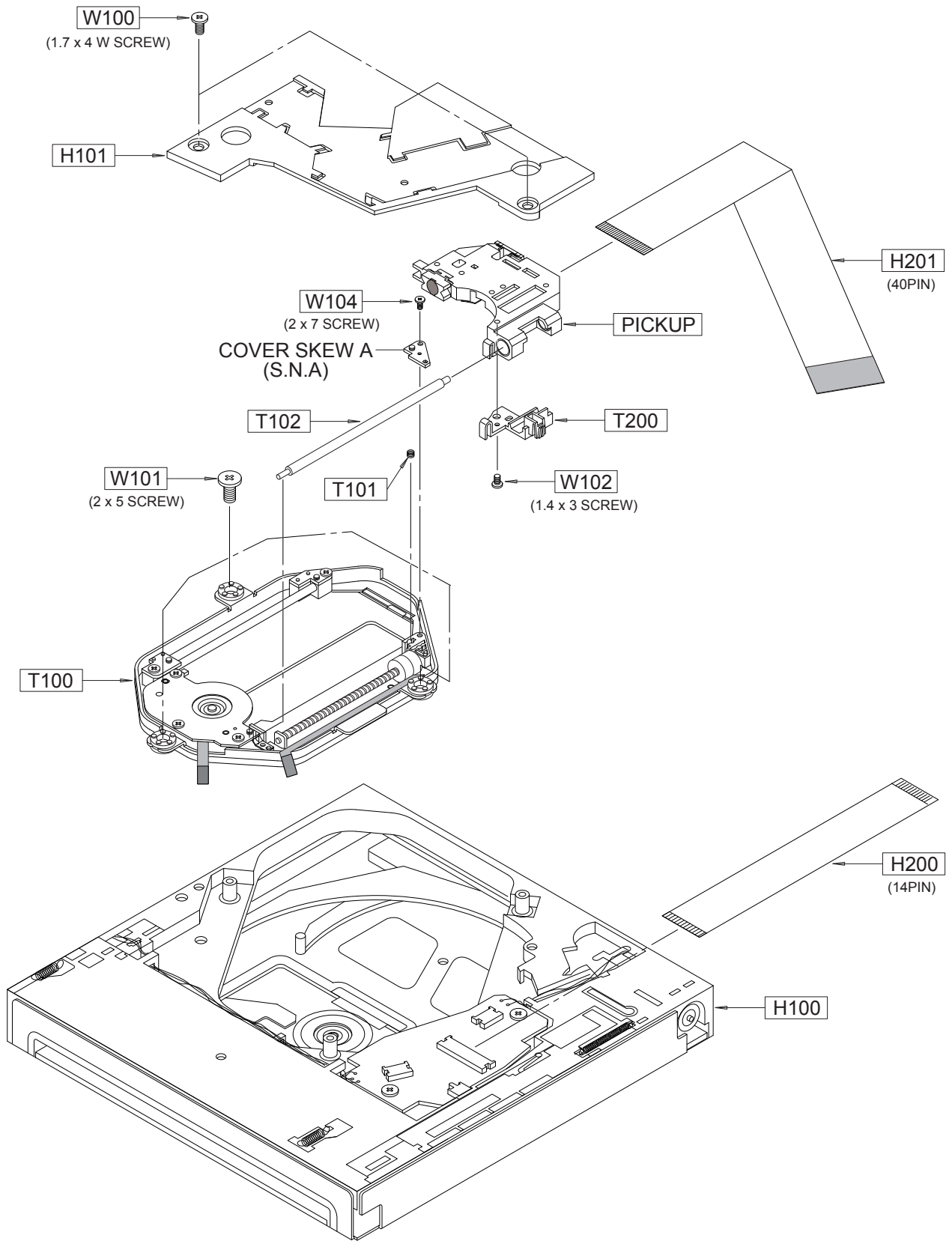
5-1 Exploded View



■ Part List

Loc. No.	Code No.	Description;Specification	Q'ty	SNA	Remark
AA074	AH96-00053A	ASSY COVER P-TOP;HT-BD7200	1	SA	
AB255	AH61-02872A	BRACKET-MECHA;HT-BD7200,SECC,0.8,190	1	SA	
AC156	AH64-05070A	CHASSIS-BOTTOM;HT-BD7200,SECC,0.6,400,0	1	SA	
AC157	AH64-05071A	CHASSIS-TOP;HT-BD7200,SECC,0.6,400	1	SA	
AC200	AH63-01880B	COVER-BOTTOM;HT-BD7200R/XEF,ABS,BLACK,ER	1	SA	
ACON1	AH39-01065A	LEAD CONNECTOR;HT-BD7200,UL20276#30,9 PI	1	SA	
AH383	AH61-02862A	HOLDER-SMPS;HT-BD7200,HIPS V0,BLACK	1	SA	
AM020	AH31-00039D	MOTOR FAN;XRL081096,RDM5015S,0.12A,1.44W	1	SA	
AR011	AH73-00011B	RUBBER-FOOT;MM-N7,URETAN T3,PI14.5	4	SA	
AS504	AH63-01932A	SHEET-MAIN;HT-BD7200,PC 0.5T BLACK	1	SA	
CON1	3708-001732	CONNECTOR-FPC/FFC/PIC;8P,1mm,SMD-A,Sn-Pb	1	SA	
CON1	3708-002061	CONNECTOR-FPC/FFC/PIC;7P,1mm,SMD-A,TIN,N	1	SA	
CON18	AH39-01066A	LEAD CONNECTOR;HT-BD7200,UL20276#30,13 P	1	SA	
FL261	3809-002323	FFC CABLE-FLAT;30V,80C,90MM,4P,1mm,AWM28	1	SA	
PCN1	3711-005582	HEADER-BOARD TO CABLE;BOX,24P,2R,2.5mm,S	1	SA	
SCN2	3708-001615	CONNECTOR-FPC/FFC/PIC;24P,1mm,SMD-S,SN,N	2	SA	
DECK	AK96-01009A	ASSY DECK;BD-S4,SLOT IN,-,-	1	SA	
PCB-AMP	AH92-03070A	ASSY PCB AMP;BD HTS,HT-BD7200,AMP,-	1	SA	
PCB-BLUETOOTH	AH92-02839A	ASSY PCB-BLUETOOTH;- ,HT-X715,BLUETOOTH,-	1	SA	
PCB-FRONT	AH92-03073A	ASSY PCB FRONT;BD HTS,HT-BD7200,FRONT,-	1	SA	
PCB-JACK	AH82-00193A	A/S ASSY-SIDE JACK PCB;HT-BD7200,World Wi	1	SA	
PCB-LED	AH82-00194A	A/S ASSY-DECO LED PCB;HT-BD7200,World Wid	1	SA	
PCB-MAIN	AH92-03074A	ASSY PCB MAIN;BD HTS,HT-BD7200,MAIN,-	1	SA	
PCB-SMPS	AH44-00208A	SMPS;HT-BD7200,HECK-BD7200-220,QRC,	1	SA	
POWER CORD	3903-000403	CBF-POWER CORD;AT,EU,CP2,HOUSING(2P),250	1	SA	
A	6003-000275	SCREW-TAPTYPE;BH,+ ,B,M3,L10,ZPC(BLK),SWR	20	SA	
B	6003-001561	SCREW-TAPTYPE;BH,+ ,-,B,M3,L6,ZPC(WHT),SW	19	SA	

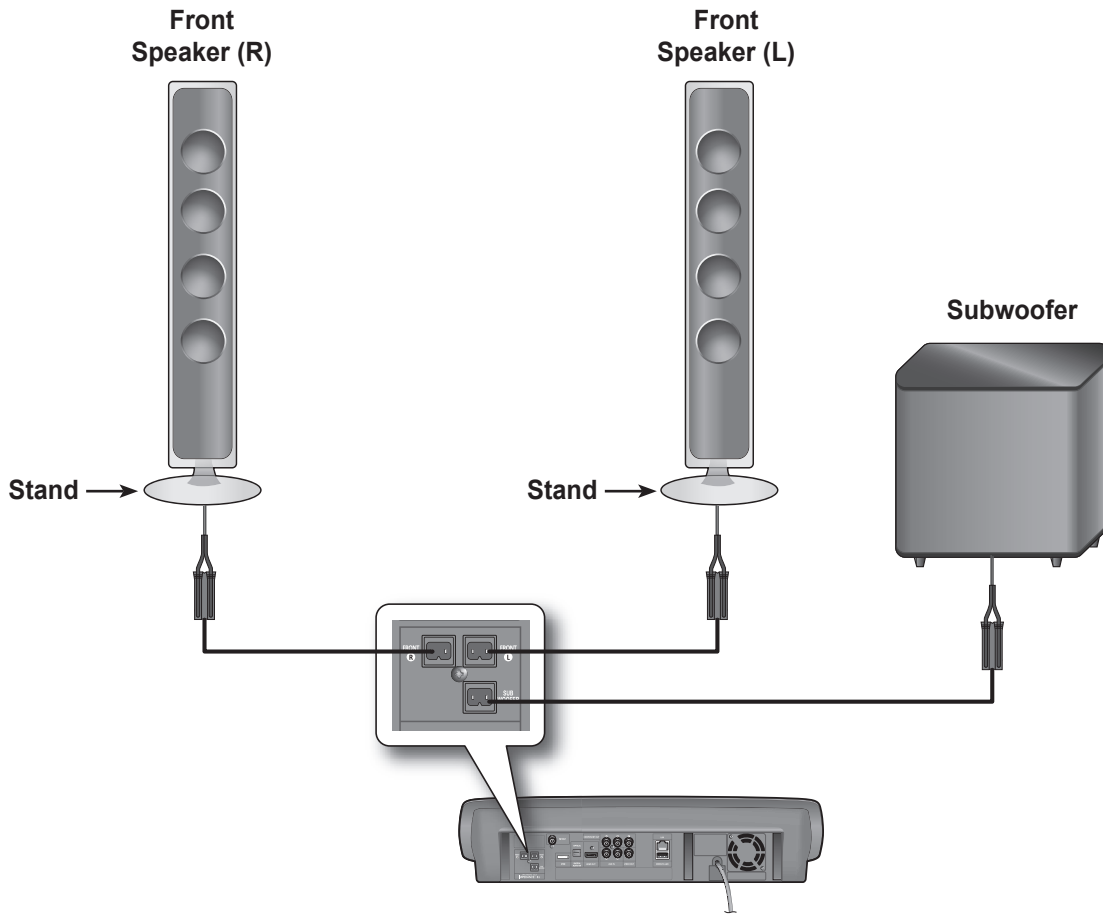
5-2 DECK Exploded View



■ Part List

Loc. No.	Code No.	Description;Specification	Q'ty	SNA	Remark
H100	AK96-01032A	ASSY HOUSING	1	SA	
H101	AK61-00943A	BRACKET FFC;ABS(SR-0320) GF10%	1	SA	
H200	AK41-00875A	FFC DECK;1.0PITCH 14PIN 0.12t 150mm	1	SA	
H201	AK41-00874A	FFC PICK UP;0.5PITCH 40PIN 0.08t 200mm	1	SA	
PICKUP	AK96-01017A	ASSY PICK UP	1	SA	
T100	AK96-01011A	ASSY TRAVERSE DECK	1	SA	
T101	AK61-00919A	SPRING ETC SKEW;SWPB	1	SA	
T102	AK66-00153A	SHAFT MAIN;SUS 303N	1	SA	
T200	AK96-01033A	ASSY HINGE PU;BD-S4,POM+SUS	1	SA	
W100	6003-001527	SCREW TAPTITE;M1.7*P0.35, L4, HD5, HT0.6	2	SA	
W101	6003-001742	SCREW TAPTITE;CH, M2, L5	3	SA	
W102	6001-001531	SCREW MACHINE;M1.4xP0.3, L3, HD3, HT0.5	1	SA	
W104	6006-001155	SCREW MACHINE;M2.0xP0.4, L7, HD4.2, HT1.1, NYLO	1	SA	

5-3 Speaker System



■ Part List

Loc. No.	Code No.	Description;Specification	Q'ty	SNA	Remark
Front Speaker (L)	AH81-05279A	SPEAKER;FRONT SPK SYSTEM,PART FOR	1	SA	
Front Speaker (R)	AH81-05279B	SPEAKER;FRONT R SPK SYSTEM,PART FOR	1	SA	
Subwoofer	AH81-05279C	SPEAKER;SUBWOOFER SPK SYSTEM,PART FOR	1	SA	
Speaker Wire	AH81-04798A	SPEAKER-SPK WIRE; PS-X720,SPK WIRE,3 PCS IN	1	SA	
Stand	AH81-05279F	SPEAKER;STAND SAUCER ASS'Y,PART FOR	2	SA	

5-4 Electrical Part List

Loc. No.	Part No.	Description;Specification	Q'ty	SNA	Remark	Loc. No.	Part No.	Description;Specification	Q'ty	SNA	Remark
	AH59-02225A	SPEAKER SYSTEM-SATELLITE;PS-FBD7200	1	SNA			AH92-03072A	ASSY PCB KEY;BD HTS,HT-BD7200,KEY,-	1	SA	
	AH81-05279A	SPEAKER-FRONT;FRONT SPK SYSTEM,PART	1	SA		CON1	3708-001732	CONNECTOR-FPC/FFC/PIC;8P,1mm,SMD-A,	1	SA	
	AH81-05279D	SPEAKER;FRONT LEFT SPK ASS'Y,PART F	1	SA		DCON1	3708-002018	CONNECTOR-FPC/FFC/PIC;4P,1MM,SMD-A,	1	SA	
	AH61-02865A	FRAME-NET;PS-BD7200,ABS+PMMA,BLACK,	1	SA		DR2	2007-000468	R-CHIP;1Kohm,5%,1/8W,TP,2012	1	SA	
	AH61-02867A	STAND-SUPPORT;PS-BD7200,ABS+PMMA,BL	1	SA		IC1	1209-001864	IC-SENSOR;TOUCHCORE1.0,QFN,20P,4x4m	1	SA	
	AH61-02886A	CASE-REAR;PS-BD7200,ABS+PMMA,BLACK	1	SA		KC13	2203-000189	C-CER,CHIP;100nF,+80-20%,25V,Y5V,16	1	SA	
	AH64-05072A	PANEL FRONT;PS-BD7200,HIPS,2.7T,BLA	1	SA		KEYC1	2203-005148	C-CER,CHIP;100nF,10%,16V,X7R,TP,160	1	SA	
	AH81-04801A	SPEAKER-TREMINAL;PS-X725,TERMINAL,-	1	SNA		KEYC2	2203-005148	C-CER,CHIP;100nF,10%,16V,X7R,TP,160	1	SA	
	AH81-04861A	RING-JERSEY;RING JERSEY,HIPS,-,-,-,	4	SA		KEYC3	2203-005148	C-CER,CHIP;100nF,10%,16V,X7R,TP,160	1	SA	
	AH81-05279G	SPEAKER;NET WORK,PART FOR PS-FBD720	1	SNA		KEYC4	2203-000697	C-CER,CHIP;0.002NF,0.25PF,50V,C0G,T	1	SA	
	AH81-05279H	SPEAKER;WOOFER UNIT,PART FOR PS-FBD	2	SA		KEYD0	0601-002705	LED;SMD(SIDE VIEW),WHT,3.8x1.2x0.6	1	SA	
	AH81-05279J	SPEAKER;TWEETER UNIT,PART FOR PS-FB	1	SA		KEYD1	0601-002705	LED;SMD(SIDE VIEW),WHT,3.8x1.2x0.6	1	SA	
	AH81-05279K	SPEAKER;BACK LABEL_FL,PART FOR PS-B	1	SNA		KEYD10	0601-002705	LED;SMD(SIDE VIEW),WHT,3.8x1.2x0.6	1	SA	
	AH81-05279F	SPEAKER;STAND SAUCER ASS'Y,PART FOR	1	SA		KEYD11	0601-002094	LED;SMD(TOP VIEW),WHT,1.6X0.8X0.4M	1	SA	
	AH61-02868A	STAND-INSERT;PS-BD7200,PMMA,BLACK	1	SA		KEYD12	0601-002094	LED;SMD(TOP VIEW),WHT,1.6X0.8X0.4M	1	SA	
	AH61-02869A	STAND-POLE;PS-BD7200,PMMA,BLACK	1	SA		KEYD13	0601-002094	LED;SMD(TOP VIEW),WHT,1.6X0.8X0.4M	1	SA	
	AH63-01840A	COVER-STAND BASE;PS-X720,ABS+PMMA	1	SA		KEYD14	0601-002094	LED;SMD(TOP VIEW),WHT,1.6X0.8X0.4M	1	SA	
	AH63-01885A	COVER-STAND;PS-BD7200,ABS+PMMA,3.0T	1	SA		KEYD15	0601-002094	LED;SMD(TOP VIEW),WHT,1.6X0.8X0.4M	1	SA	
	AH81-03945A	SPEAKER-FOOT;PS-X725,PORON FOOT,FOR	4	SA		KEYD16	0601-002094	LED;SMD(TOP VIEW),WHT,1.6X0.8X0.4M	1	SA	
	AH81-05279B	SPEAKER;FRONT R SPK SYSTEM,PART FOR	1	SA		KEYD17	0601-002094	LED;SMD(TOP VIEW),WHT,1.6X0.8X0.4M	1	SA	
	AH81-05279E	SPEAKER;FRONT RIGHT SPK ASS',PART F	1	SA		KEYD2	0601-002705	LED;SMD(SIDE VIEW),WHT,3.8x1.2x0.6	1	SA	
	AH61-02865A	FRAME-NET;PS-BD7200,ABS+PMMA,BLACK,	1	SA		KEYD20	0601-002094	LED;SMD(TOP VIEW),WHT,1.6X0.8X0.4M	1	SA	
	AH61-02867A	STAND-SUPPORT;PS-BD7200,ABS+PMMA,BL	1	SA		KEYD21	0601-001226	LED;SMD,RED,1.2x0.8mm,660nm,1.6x0.	1	SA	
	AH61-02886A	CASE-REAR;PS-BD7200,ABS+PMMA,BLACK	1	SA		KEYD3	0601-002705	LED;SMD(SIDE VIEW),WHT,3.8x1.2x0.6	1	SA	
	AH64-05072A	PANEL FRONT;PS-BD7200,HIPS,2.7T,BLA	1	SA		KEYD4	0601-002705	LED;SMD(SIDE VIEW),WHT,3.8x1.2x0.6	1	SA	
	AH81-04801A	SPEAKER-TREMINAL;PS-X725,TERMINAL,-	1	SNA		KEYD5	0601-002705	LED;SMD(SIDE VIEW),WHT,3.8x1.2x0.6	1	SA	
	AH81-04861A	RING-JERSEY;RING JERSEY,HIPS,-,-,-,	4	SA		KEYD6	0601-002705	LED;SMD(SIDE VIEW),WHT,3.8x1.2x0.6	1	SA	
	AH81-05279G	SPEAKER;NET WORK,PART FOR PS-FBD720	1	SNA		KEYD7	0601-002705	LED;SMD(SIDE VIEW),WHT,3.8x1.2x0.6	1	SA	
	AH81-05279H	SPEAKER;WOOFER UNIT,PART FOR PS-FBD	2	SA		KEYD8	0601-002094	LED;SMD(TOP VIEW),WHT,1.6X0.8X0.4M	1	SA	
	AH81-05279J	SPEAKER;TWEETER UNIT,PART FOR PS-FB	1	SA		KEYD9	0601-002706	LED;SMD(SIDE VIEW),RED,3.8x1.2x0.6	1	SA	
	AH81-05279L	SPEAKER;BACK LABEL_FR,PART FOR PS-F	1	SNA		KEYIC2	1209-001866	IC-SENSOR;SS501,SOT-26,6P,2.9x1.6mm	1	SA	
	AH81-05279F	SPEAKER;STAND SAUCER ASS'Y,PART FOR	1	SA		KEYR0	2007-000076	R-CHIP;330ohm,5%,1/10W,TP,1608	1	SA	
	AH61-02868A	STAND-INSERT;PS-BD7200,PMMA,BLACK	1	SA		KEYR1	2007-000402	R-CHIP;150ohm,5%,1/10W,TP,1608	1	SA	
	AH61-02869A	STAND-POLE;PS-BD7200,PMMA,BLACK	1	SA		KEYR10	2007-000090	R-CHIP;10Kohm,5%,1/10W,TP,1608	1	SA	
	AH63-01840A	COVER-STAND BASE;PS-X720,ABS+PMMA	1	SA		KEYR11	2007-000070	R-CHIP;0ohm,5%,1/10W,TP,1608	1	SA	
	AH63-01885A	COVER-STAND;PS-BD7200,ABS+PMMA,3.0T	1	SA		KEYR13	2007-000070	R-CHIP;0ohm,5%,1/10W,TP,1608	1	SA	
	AH81-03945A	SPEAKER-FOOT;PS-X725,PORON FOOT,FOR	4	SA		KEYR14	2007-000402	R-CHIP;150ohm,5%,1/10W,TP,1608	1	SA	
	AH81-05279P	SPEAKER;CUSHION TOP,PART FOR PS-BD7	1	SNA		KEYR15	2007-000076	R-CHIP;330ohm,5%,1/10W,TP,1608	1	SA	
	AH81-05279Q	SPEAKER;CUSHION BOTTOM,PART FOR PS-B	1	SNA		KEYR16	2007-000075	R-CHIP;220ohm,5%,1/10W,TP,1608	1	SA	
	AH81-05279R	SPEAKER;CUSHION BOTTOM,PART FOR PS-B	1	SNA		KEYR17	2007-000075	R-CHIP;220ohm,5%,1/10W,TP,1608	1	SA	
	AH59-02226A	SPEAKER SYSTEM-SUBWOOFER;PS-WBD7200 1	1	SNA		KEYR18	2007-000075	R-CHIP;220ohm,5%,1/10W,TP,1608	1	SA	
	AH81-04796A	SPEAKER-SUBWOOFER CUSHION-TOP;PS-X7	2	SA		KEYR19	2007-000075	R-CHIP;220ohm,5%,1/10W,TP,1608	1	SA	
	AH81-04798A	SPEAKER-SPK WIRE;PS-X720,SPK WIRE,3	1	SA		KEYR2	2007-000402	R-CHIP;150ohm,5%,1/10W,TP,1608	1	SA	
	AH81-05279C	SPEAKER;SUBWOOFER SPK SYSTEM,PART F	1	SA		KEYR20	2007-000075	R-CHIP;220ohm,5%,1/10W,TP,1608	1	SA	
	AH64-05009A	PANEL-TOP SUBWOOFER;PS-X725,HIPS	1	SA		KEYR21	2007-000075	R-CHIP;220ohm,5%,1/10W,TP,1608	1	SA	
	AH64-05010A	PANEL-BTM SUBWOOFER;PS-X725,HIPS	1	SA		KEYR22	2007-000075	R-CHIP;220ohm,5%,1/10W,TP,1608	1	SA	
	AH81-04797A	SPEAKER-SUBWOOFER FOOT;PS-X725,SUB	4	SA		KEYR23	2007-000075	R-CHIP;220ohm,5%,1/10W,TP,1608	1	SA	
	AH81-04985A	SPEAKER-WOOD CABINET;ps-x725,WOOD	1	SNA		KEYR24	2007-000075	R-CHIP;220ohm,5%,1/10W,TP,1608	1	SA	
	AH81-04986A	SPEAKER-SUB/W CONNECTED WIRE;ps-x72	1	SA		KEYR25	2007-000075	R-CHIP;220ohm,5%,1/10W,TP,1608	1	SA	
	AH81-04989A	SPEAKER-NET ASS'Y-SUBWOOFER;PS-X725	1	SA		KEYR26	2007-000121	R-CHIP;820ohm,5%,1/10W,TP,1608	1	SA	
	AH81-05279M	SPEAKER;BACK LABEL_SW,PART FOR PS-W	1	SNA		KEYR27	2007-000121	R-CHIP;820ohm,5%,1/10W,TP,1608	1	SA	
	AH81-05279N	SPEAKER;SUBWOOFER UNIT,PART FOR PS-	1	SA		KEYR3	2007-000402	R-CHIP;150ohm,5%,1/10W,TP,1608	1	SA	
	AH81-05306A	SPEAKER-PAPER DUCT-SUBWOOFER;PS-X7	1	SNA		KEYR32	2007-000078	R-CHIP;1Kohm,5%,1/10W,TP,1608	1	SA	
	AH81-05307A	SPEAKER-EPS DUCT-SUBWOOFER;PS-X725	1	SNA		KEYR33	2007-000078	R-CHIP;1Kohm,5%,1/10W,TP,1608	1	SA	
	AH81-05309A	SPEAKER-SOUND WOOL-SUBWOOFER;PS-X72	1	SA		KEYR34	2007-000078	R-CHIP;1Kohm,5%,1/10W,TP,1608	1	SA	
						KEYR35	2007-000078	R-CHIP;1Kohm,5%,1/10W,TP,1608	1	SA	

Exploded View & Part List

Loc. No.	Part No.	Description;Specification	Q'ty	SNA	Remark	Loc. No.	Part No.	Description;Specification	Q'ty	SNA	Remark
KEYR36	2007-000078	R-CHIP;1Kohm,5%,1/10W,TP,1608	1		SA	C7	2203-006324	C-CER,CHIP;2200nF,10%,10V,X5R,1608	1		SA
KEYR37	2007-000078	R-CHIP;1Kohm,5%,1/10W,TP,1608	1		SA	C8	2203-005148	C-CER,CHIP;100nF,10%,16V,X7R,TP,160	1		SA
KEYR38	2007-000078	R-CHIP;1Kohm,5%,1/10W,TP,1608	1		SA	C9	2203-000257	C-CER,CHIP;10nF,10%,50V,X7R,TP,1608	1		SA
KEYR39	2007-000078	R-CHIP;1Kohm,5%,1/10W,TP,1608	1		SA	CON1	3708-002061	CONNECTOR-FPC/FFC/PIC;7P,1mm,SMD-A,	1		SA
KEYR4	2007-000402	R-CHIP;150ohm,5%,1/10W,TP,1608	1		SA	IC1	4709-001606	IC-BLUETOOTH MODULE;BTEM39B2SB,-,-,	1		SA
KEYR5	2007-000402	R-CHIP;150ohm,5%,1/10W,TP,1608	1		SA	IC2	1203-002776	IC-POSI.FIXED REG.;G914D/MIC5255,SO	1		SA
KEYR6	2007-000402	R-CHIP;150ohm,5%,1/10W,TP,1608	1		SA	IC3	1203-002776	IC-POSI.FIXED REG.;G914D/MIC5255,SO	1		SA
KEYR7	2007-000076	R-CHIP;330ohm,5%,1/10W,TP,1608	1		SA	IC4	0801-000305	IC-CMOS LOGIC;7SU04,INVERTER,SOP,5P	1		SA
KEYR9	2007-000124	R-CHIP;2.2Kohm,5%,1/10W,TP,1608	1		SA	L1	2203-002663	C-CER,CHIP;3pF,10%,50V,X7R,TP,1608,	1		SA
KPD1	2007-001026	R-CHIP;560Kohm,5%,1/10W,TP,1608	1		SA	L2	2703-003354	INDUCTOR-SMD;8.2nH,5%,1608	1		SNA
KPD2	2007-001026	R-CHIP;560Kohm,5%,1/10W,TP,1608	1		SA	R1	2007-000102	R-CHIP;100Kohm,5%,1/10W,TP,1608	1		SA
KPD3	2007-001026	R-CHIP;560Kohm,5%,1/10W,TP,1608	1		SA	R2	2007-000077	R-CHIP;470ohm,5%,1/10W,TP,1608	1		SA
KPD4	2007-001026	R-CHIP;560Kohm,5%,1/10W,TP,1608	1		SA	R3	2007-000120	R-CHIP;680ohm,5%,1/10W,TP,1608	1		SA
KPD5	2007-001026	R-CHIP;560Kohm,5%,1/10W,TP,1608	1		SA	R4	2007-000090	R-CHIP;10Kohm,5%,1/10W,TP,1608	1		SA
KPD6	2007-001026	R-CHIP;560Kohm,5%,1/10W,TP,1608	1		SA	R5	2007-001026	R-CHIP;560Kohm,5%,1/10W,TP,1608	1		SA
KPD7	2007-001026	R-CHIP;560Kohm,5%,1/10W,TP,1608	1		SA	R6	2007-000074	R-CHIP;100ohm,5%,1/10W,TP,1608	1		SA
KPD8	2007-001026	R-CHIP;560Kohm,5%,1/10W,TP,1608	1		SA	R7	2007-000074	R-CHIP;100ohm,5%,1/10W,TP,1608	1		SA
LED2	0601-002094	LED;SMD(TOP VIEW),WHT,1.6X0.8X0.4M	1		SA	R8	2007-000074	R-CHIP;100ohm,5%,1/10W,TP,1608	1		SA
PCB	AH41-01233A	PCB (FR 4) 2L(SNPB)-KEY;HT-BD7200 K	0.25		SNA	R9	2007-000305	R-CHIP;10Mohm,5%,1/10W,TP,1608	1		SA
SWC1	2203-000975	C-CER,CHIP;47nF,10%,25V,X7R,TP,1608	1		SA	X-TAL1	2801-003856	CRYSTAL-SMD;0.032768MHz,20ppm,28-AC	1		SA
SWC2	2203-000975	C-CER,CHIP;47nF,10%,25V,X7R,TP,1608	1		SA	AH44-00208A	SMPS;HT-BD7200,HECK-BD7200-220,QRC,	1		SA	
SWQ1	0504-000156	TR-DIGITAL;KSR2103,PNP,200MW,22K/22	1		SA	AH99-10014D	ASSY AUTO INSERT-PCB-BLUETOOTH;-HT	1		SNA	
SWQ2	0504-000128	TR-DIGITAL;-NPN,200MW,22K/22K,SOT-	1		SA	PCB-AMP AH92-03070A ASSY PCB AMP;BD HTS,HT-BD7200,AMP,-	1 SA				
SWR1	2007-000090	R-CHIP;10Kohm,5%,1/10W,TP,1608	1		SA	AC137	2203-005249	C-CER,CHIP;100nF,10%,50V,X7R,TP,160	1		SA
SWR2	2007-000090	R-CHIP;10Kohm,5%,1/10W,TP,1608	1		SA	AC138	2203-006361	C-CER,CHIP;10000nF,10%,10V,X5R,TP,2	1		SA
UZD3	0403-001064	DIODE-ZENER;RLZ5.1B,4.94-5.2V,500mW	1		SA	AC142	2203-005249	C-CER,CHIP;100nF,10%,50V,X7R,TP,160	1		SA
	AH99-00406A	ASSY AUTO INSERT;BD HTS,HT-BD7200,K	1		SNA	AC143	2203-006361	C-CER,CHIP;10000nF,10%,10V,X5R,TP,2	1		SA
	AH97-00846A ASSY SUB MATERIAL;AH97-00846A,-,-,-	1 SNA				AC144	2203-006361	C-CER,CHIP;10000nF,10%,10V,X5R,TP,2	1		SA
	0201-001356	CEMEDINE;A121	0.003		SNA	AC145	2203-006361	C-CER,CHIP;10000nF,10%,10V,X5R,TP,2	1		SA
	0201-001357	ADHESIVE-STRL;THREE BOND 1401B,GRN,	0.5		SNA	AC146	2203-005249	C-CER,CHIP;100nF,10%,50V,X7R,TP,160	1		SA
FIL	0203-000007	TAPE-FILAMENT;T0.15,L55M,TRP	0.1		SNA	AC148	2203-005249	C-CER,CHIP;100nF,10%,50V,X7R,TP,160	1		SA
	0203-001100	TAPE-OPP MASKING;OPP/W75/CLR,T0.05,	1.5		SNA	AC149	2203-005249	C-CER,CHIP;100nF,10%,50V,X7R,TP,160	1		SA
	0203-001362	TAPE-DOUBLE FACE;#570 W10X50M CLR	0.1		SNA	AC150	2203-005249	C-CER,CHIP;100nF,10%,50V,X7R,TP,160	1		SA
	0205-001366	GREASE-SILICON;T4110	0.001		SNA	AC151	2203-005249	C-CER,CHIP;100nF,10%,50V,X7R,TP,160	1		SA
	PCB-BLUETOOTH AH92-02839A ASSY PCB-BLUETOOTH;-HT-X715,BLUETO	1 SA				AC152	2203-005249	C-CER,CHIP;100nF,10%,50V,X7R,TP,160	1		SA
ANT1	AH42-00029A	ANTENNA PIFA;ACS24500CBXX,HT-Z310,2	1		SA	AC153	2203-005249	C-CER,CHIP;100nF,10%,50V,X7R,TP,160	1		SA
BD1	3301-001364	BEAD-SMD;1000ohm,1608,150mA,TP,1085	1		SA	AC155	2203-005249	C-CER,CHIP;100nF,10%,50V,X7R,TP,160	1		SA
BD2	3301-001364	BEAD-SMD;1000ohm,1608,150mA,TP,1085	1		SA	AC156	2203-005249	C-CER,CHIP;100nF,10%,50V,X7R,TP,160	1		SA
BD3	3301-001364	BEAD-SMD;1000ohm,1608,150mA,TP,1085	1		SA	AC157	2203-005249	C-CER,CHIP;100nF,10%,50V,X7R,TP,160	1		SA
BT_PCB	AH41-01170A	PCB-BLUETOOTH;HT-X810,FR4,2,T1.6,98	0.05		SA	AC159	2203-005249	C-CER,CHIP;100nF,10%,50V,X7R,TP,160	1		SA
C10	2203-006324	C-CER,CHIP;2200nF,10%,10V,X5R,1608	1		SA	AC160	2203-005249	C-CER,CHIP;100nF,10%,50V,X7R,TP,160	1		SA
C11	2203-005148	C-CER,CHIP;100nF,10%,16V,X7R,TP,160	1		SA	AC161	2203-005249	C-CER,CHIP;100nF,10%,50V,X7R,TP,160	1		SA
C12	2203-005148	C-CER,CHIP;100nF,10%,16V,X7R,TP,160	1		SA	AC162	2203-005249	C-CER,CHIP;100nF,10%,50V,X7R,TP,160	1		SA
C13	2203-006427	C-CER,CHIP;4700nF,10%,16V,X5R,TP,20	1		SA	AC164	2203-005249	C-CER,CHIP;100nF,10%,50V,X7R,TP,160	1		SA
C14	2203-006427	C-CER,CHIP;4700nF,10%,16V,X5R,TP,20	1		SA	AC165	2203-005249	C-CER,CHIP;100nF,10%,50V,X7R,TP,160	1		SA
C16	2203-005148	C-CER,CHIP;100nF,10%,16V,X7R,TP,160	1		SA	AC166	2203-005249	C-CER,CHIP;100nF,10%,50V,X7R,TP,160	1		SA
C17	2203-005148	C-CER,CHIP;100nF,10%,16V,X7R,TP,160	1		SA	AC167	2203-005249	C-CER,CHIP;100nF,10%,50V,X7R,TP,160	1		SA
C18	2203-000257	C-CER,CHIP;10nF,10%,50V,X7R,TP,1608	1		SA	AC168	2203-005249	C-CER,CHIP;100nF,10%,50V,X7R,TP,160	1		SA
C19	2203-000332	C-CER,CHIP;0.012nF,5%,50V,C0G,1608	1		SA	AC169	2203-005249	C-CER,CHIP;100nF,10%,50V,X7R,TP,160	1		SA
C2	2203-006324	C-CER,CHIP;2200nF,10%,10V,X5R,1608	1		SA	AC170	2203-005249	C-CER,CHIP;100nF,10%,50V,X7R,TP,160	1		SA
C21	2203-005148	C-CER,CHIP;100nF,10%,16V,X7R,TP,160	1		SA	AC171	2203-000646	C-CER,CHIP;0.024nF,5%,50V,C0G,TP,16	1		SA
C22	2203-000384	C-CER,CHIP;0.015nF,5%,50V,C0G,1608	1		SA	AC172	2203-000646	C-CER,CHIP;0.024nF,5%,50V,C0G,TP,16	1		SA
C23	2203-006427	C-CER,CHIP;4700nF,10%,16V,X5R,TP,20	1		SA	AC174	2203-006361	C-CER,CHIP;10000nF,10%,10V,X5R,TP,2	1		SA
C4	2203-001083	C-CER,CHIP;0.0050nF,0.1pF,50V,NP0,1	1		SA	AC175	2203-006361	C-CER,CHIP;10000nF,10%,10V,X5R,TP,2	1		SA
C5	2203-001083	C-CER,CHIP;0.0050nF,0.1pF,50V,NP0,1	1		SA	AC176	2203-005249	C-CER,CHIP;100nF,10%,50V,X7R,TP,160	1		SA
C6	2203-006427	C-CER,CHIP;4700nF,10%,16V,X5R,TP,20	1		SA	AC58	2203-005249	C-CER,CHIP;100nF,10%,50V,X7R,TP,160	1		SA

Exploded View & Part List

Loc. No.	Part No.	Description;Specification	Q'ty	SNA	Remark	Loc. No.	Part No.	Description;Specification	Q'ty	SNA	Remark
AMC7	2203-000531	C-CER,CHIP;2.7nF,10%,50V,X7R,1608	1	SA		AMR141	2007-000309	R-CHIP;10ohm,5%,1/10W,TP,1608	1	SA	
AMC73	2203-005886	C-CER,CHIP;0.15nF,5%,200V,C0G,TP,20	1	SA		AMR142	2007-000090	R-CHIP;10Kohm,5%,1/10W,TP,1608	1	SA	
AMC74	2203-000257	C-CER,CHIP;10nF,10%,50V,X7R,TP,1608	1	SA		AMR143	2007-000134	R-CHIP;33Kohm,5%,1/10W,TP,1608	1	SA	
AMC75	2203-005565	C-CER,CHIP;1nF,5%,50V,NP0,TP,1608	1	SA		AMR144	2007-000309	R-CHIP;10ohm,5%,1/10W,TP,1608	1	SA	
AMC76	2203-005565	C-CER,CHIP;1nF,5%,50V,NP0,TP,1608	1	SA		AMR145	2007-000312	R-CHIP;10ohm,5%,1/4W,TP,3216	1	SA	
AMC77	2203-005565	C-CER,CHIP;1nF,5%,50V,NP0,TP,1608	1	SA		AMR146	2007-000309	R-CHIP;10ohm,5%,1/10W,TP,1608	1	SA	
AMC78	2203-006336	C-CER,CHIP;1000nF,10%,25V,X5R,3216	1	SA		AMR147	2007-000087	R-CHIP;6.8Kohm,5%,1/10W,TP,1608	1	SA	
AMC79	2203-005886	C-CER,CHIP;0.15nF,5%,200V,C0G,TP,20	1	SA		AMR148	2007-000309	R-CHIP;10ohm,5%,1/10W,TP,1608	1	SA	
AMC8	2203-000531	C-CER,CHIP;2.7nF,10%,50V,X7R,1608	1	SA		AMR149	2007-000090	R-CHIP;10Kohm,5%,1/10W,TP,1608	1	SA	
AMC80	2203-000257	C-CER,CHIP;10nF,10%,50V,X7R,TP,1608	1	SA		AMR150	2007-000134	R-CHIP;33Kohm,5%,1/10W,TP,1608	1	SA	
AMC81	2203-005565	C-CER,CHIP;1nF,5%,50V,NP0,TP,1608	1	SA		AMR151	2007-000312	R-CHIP;10ohm,5%,1/4W,TP,3216	1	SA	
AMC82	2203-005565	C-CER,CHIP;1nF,5%,50V,NP0,TP,1608	1	SA		AMR152	2007-000309	R-CHIP;10ohm,5%,1/10W,TP,1608	1	SA	
AMC83	2203-005565	C-CER,CHIP;1nF,5%,50V,NP0,TP,1608	1	SA		AMR153	2007-000309	R-CHIP;10ohm,5%,1/10W,TP,1608	1	SA	
AMC84	2203-006336	C-CER,CHIP;1000nF,10%,25V,X5R,3216	1	SA		AMR154	2007-000087	R-CHIP;6.8Kohm,5%,1/10W,TP,1608	1	SA	
AMC85	2203-000257	C-CER,CHIP;10nF,10%,50V,X7R,TP,1608	1	SA		AMR155	2007-000309	R-CHIP;10ohm,5%,1/10W,TP,1608	1	SA	
AMC86	2203-005565	C-CER,CHIP;1nF,5%,50V,NP0,TP,1608	1	SA		AMR167	2007-002425	R-CHIP;1ohm,5%,1/10W,TP,1608	1	SA	
AMC87	2203-005565	C-CER,CHIP;1nF,5%,50V,NP0,TP,1608	1	SA		AMR168	2007-002425	R-CHIP;1ohm,5%,1/10W,TP,1608	1	SA	
AMC88	2203-005886	C-CER,CHIP;0.15nF,5%,200V,C0G,TP,20	1	SA		AMR169	2007-002425	R-CHIP;1ohm,5%,1/10W,TP,1608	1	SA	
AMC89	2203-005565	C-CER,CHIP;1nF,5%,50V,NP0,TP,1608	1	SA		AMR17	2007-000078	R-CHIP;1Kohm,5%,1/10W,TP,1608	1	SA	
AMC9	2203-000531	C-CER,CHIP;2.7nF,10%,50V,X7R,1608	1	SA		AMR170	2007-002425	R-CHIP;1ohm,5%,1/10W,TP,1608	1	SA	
AMC90	2203-006336	C-CER,CHIP;1000nF,10%,25V,X5R,3216	1	SA		AMR171	2007-002425	R-CHIP;1ohm,5%,1/10W,TP,1608	1	SA	
AMD11	0401-001166	DIODE-SWITCHING;BAV20WS-V,150V,250m	1	SA		AMR172	2007-002425	R-CHIP;1ohm,5%,1/10W,TP,1608	1	SA	
AMD12	0402-001427	DIODE-RECTIFIER;ES1D,200V,1A,DO-214	1	SA		AMR179	2007-007065	R-CHIP;10ohm,5%,1W,TP,6432	1	SA	
AMD13	0401-001166	DIODE-SWITCHING;BAV20WS-V,150V,250m	1	SA		AMR18	2007-000078	R-CHIP;1Kohm,5%,1/10W,TP,1608	1	SA	
AMD14	0402-001427	DIODE-RECTIFIER;ES1D,200V,1A,DO-214	1	SA		AMR180	2007-000496	R-CHIP;2.2Kohm,5%,1/4W,TP,3216	1	SA	
AMD15	0401-001166	DIODE-SWITCHING;BAV20WS-V,150V,250m	1	SA		AMR181	2007-007065	R-CHIP;10ohm,5%,1W,TP,6432	1	SA	
AMD16	0402-001427	DIODE-RECTIFIER;ES1D,200V,1A,DO-214	1	SA		AMR182	2007-000496	R-CHIP;2.2Kohm,5%,1/4W,TP,3216	1	SA	
AMD19	0401-001099	DIODE-SWITCHING;1N4148WS,75V,150mA,	1	SA		AMR183	2007-007065	R-CHIP;10ohm,5%,1W,TP,6432	1	SA	
AMD21	0403-001483	DIODE-ZENER;UDZS18B,17.56-18.35V,20	1	SA		AMR184	2007-000496	R-CHIP;2.2Kohm,5%,1/4W,TP,3216	1	SA	
AMD22	0403-001398	DIODE-ZENER;UDZ2.4B,2.43-2.63V,200M	1	SA		AMR189	2007-000082	R-CHIP;3.3Kohm,5%,1/10W,TP,1608	1	SA	
AMD23	0402-001427	DIODE-RECTIFIER;ES1D,200V,1A,DO-214	1	SA		AMR19	2007-000078	R-CHIP;1Kohm,5%,1/10W,TP,1608	1	SA	
AMD3	0401-001099	DIODE-SWITCHING;1N4148WS,75V,150mA,	1	SA		AMR190	2007-000303	R-CHIP;10Kohm,5%,1/4W,TP,3216	1	SA	
AMD4	0401-001099	DIODE-SWITCHING;1N4148WS,75V,150mA,	1	SA		AMR191	2007-000097	R-CHIP;47Kohm,5%,1/10W,TP,1608	1	SA	
AMD5	0401-001099	DIODE-SWITCHING;1N4148WS,75V,150mA,	1	SA		AMR192	2007-000285	R-CHIP;100Kohm,5%,1/4W,TP,3216	1	SA	
AMPD1	0402-000309	DIODE-RECTIFIER;1SR154-400,400V,1A,	1	SA		AMR193	2007-000090	R-CHIP;10Kohm,5%,1/10W,TP,1608	1	SA	
AMPD2	0402-000309	DIODE-RECTIFIER;1SR154-400,400V,1A,	1	SA		AMR194	2007-000253	R-CHIP;1.5ohm,5%,1/4W,TP,3216	1	SA	
AMPD3	0401-001166	DIODE-SWITCHING;BAV20WS-V,150V,250m	1	SA		AMR195	2007-000253	R-CHIP;1.5ohm,5%,1/4W,TP,3216	1	SA	
AMR10	2007-000122	R-CHIP;1.2Kohm,5%,1/10W,TP,1608	1	SA		AMR20	2007-000078	R-CHIP;1Kohm,5%,1/10W,TP,1608	1	SA	
AMR105	2007-000043	R-CHIP;1Kohm,1%,1/10W,TP,1608	1	SA		AMR200	1404-001483	THERMISTOR-PTC;470ohm,50%,32V,TP	1	SA	
AMR106	2007-000090	R-CHIP;10Kohm,5%,1/10W,TP,1608	1	SA		AMR201	2007-000285	R-CHIP;100Kohm,5%,1/4W,TP,3216	1	SA	
AMR107	2007-000086	R-CHIP;5.6Kohm,5%,1/10W,TP,1608	1	SA		AMR203	2007-000097	R-CHIP;47Kohm,5%,1/10W,TP,1608	1	SA	
AMR108	2007-000043	R-CHIP;1Kohm,1%,1/10W,TP,1608	1	SA		AMR204	2007-000097	R-CHIP;47Kohm,5%,1/10W,TP,1608	1	SA	
AMR109	2007-000084	R-CHIP;4.7Kohm,5%,1/10W,TP,1608	1	SA		AMR209	2007-000078	R-CHIP;1Kohm,5%,1/10W,TP,1608	1	SA	
AMR11	2007-000122	R-CHIP;1.2Kohm,5%,1/10W,TP,1608	1	SA		AMR21	2007-000078	R-CHIP;1Kohm,5%,1/10W,TP,1608	1	SA	
AMR110	2007-000090	R-CHIP;10Kohm,5%,1/10W,TP,1608	1	SA		AMR214	2007-007790	R-CHIP;20ohm,1%,1W,TP,6432	1	SA	
AMR111	2007-000086	R-CHIP;5.6Kohm,5%,1/10W,TP,1608	1	SA		AMR215	2007-000094	R-CHIP;22Kohm,5%,1/10W,TP,1608	1	SA	
AMR112	2007-000084	R-CHIP;4.7Kohm,5%,1/10W,TP,1608	1	SA		AMR216	2007-000097	R-CHIP;47Kohm,5%,1/10W,TP,1608	1	SA	
AMR113	2007-000043	R-CHIP;1Kohm,1%,1/10W,TP,1608	1	SA		AMR217	2007-007790	R-CHIP;20ohm,1%,1W,TP,6432	1	SA	
AMR114	2007-000090	R-CHIP;10Kohm,5%,1/10W,TP,1608	1	SA		AMR218	2007-007790	R-CHIP;20ohm,1%,1W,TP,6432	1	SA	
AMR115	2007-000086	R-CHIP;5.6Kohm,5%,1/10W,TP,1608	1	SA		AMR219	2007-007790	R-CHIP;20ohm,1%,1W,TP,6432	1	SA	
AMR116	2007-000084	R-CHIP;4.7Kohm,5%,1/10W,TP,1608	1	SA		AMR22	2007-000078	R-CHIP;1Kohm,5%,1/10W,TP,1608	1	SA	
AMR12	2007-000122	R-CHIP;1.2Kohm,5%,1/10W,TP,1608	1	SA		AMR220	2007-000033	R-CHIP;0ohm,5%,1/4W,TP,3216	1	SA	
AMR135	2007-000090	R-CHIP;10Kohm,5%,1/10W,TP,1608	1	SA		AMR221	2007-000033	R-CHIP;0ohm,5%,1/4W,TP,3216	1	SA	
AMR136	2007-000134	R-CHIP;33Kohm,5%,1/10W,TP,1608	1	SA		AMR225	2007-000090	R-CHIP;10Kohm,5%,1/10W,TP,1608	1	SA	
AMR137	2007-000309	R-CHIP;10ohm,5%,1/10W,TP,1608	1	SA		AMR226	2007-000102	R-CHIP;100Kohm,5%,1/10W,TP,1608	1	SA	
AMR138	2007-000087	R-CHIP;6.8Kohm,5%,1/10W,TP,1608	1	SA		AMR227	2007-000097	R-CHIP;47Kohm,5%,1/10W,TP,1608	1	SA	
AMR139	2007-000312	R-CHIP;10ohm,5%,1/4W,TP,3216	1	SA		AMR228	2007-000097	R-CHIP;47Kohm,5%,1/10W,TP,1608	1	SA	
AMR140	2007-000309	R-CHIP;10ohm,5%,1/10W,TP,1608	1	SA		AMR229	2007-000087	R-CHIP;6.8Kohm,5%,1/10W,TP,1608	1	SA	
						AMR23	2007-000078	R-CHIP;1Kohm,5%,1/10W,TP,1608	1	SA	

Loc. No.	Part No.	Description;Specification	Q'ty	SNA	Remark	Loc. No.	Part No.	Description;Specification	Q'ty	SNA	Remark
AMR230	2007-000091	R-CHIP;12Kohm,5%,1/10W,TP,1608	1		SA	AMR55	2007-000882	R-CHIP;4.7ohm,5%,1/10W,TP,1608	1		SA
AMR231	2007-000087	R-CHIP;6.8Kohm,5%,1/10W,TP,1608	1		SA	AMR56	2007-000683	R-CHIP;3.3Kohm,1%,1/10W,TP,1608	1		SA
AMR232	2007-000087	R-CHIP;6.8Kohm,5%,1/10W,TP,1608	1		SA	AMR57	2007-000882	R-CHIP;4.7ohm,5%,1/10W,TP,1608	1		SA
AMR233	2007-000079	R-CHIP;1.8Kohm,5%,1/10W,TP,1608	1		SA	AMR6	2007-000122	R-CHIP;1.2Kohm,5%,1/10W,TP,1608	1		SA
AMR234	2007-000458	R-CHIP;18Kohm,5%,1/10W,TP,1608	1		SA	AMR7	2007-000122	R-CHIP;1.2Kohm,5%,1/10W,TP,1608	1		SA
AMR235	2007-000078	R-CHIP;1Kohm,5%,1/10W,TP,1608	1		SA	AMR73	2007-000039	R-CHIP;0ohm,1%,1/10W,TP,1608	1		SA
AMR236	2007-000100	R-CHIP;68Kohm,5%,1/10W,TP,1608	1		SA	AMR74	2007-000939	R-CHIP;47Kohm,1%,1/10W,TP,1608	1		SA
AMR237	2007-000033	R-CHIP;0ohm,5%,1/4W,TP,3216	1		SA	AMR75	2007-000265	R-CHIP;1.8Kohm,1%,1/10W,TP,1608	1		SA
AMR238	2007-000033	R-CHIP;0ohm,5%,1/4W,TP,3216	1		SA	AMR76	2007-000075	R-CHIP;220ohm,5%,1/10W,TP,1608	1		SA
AMR239	2007-000033	R-CHIP;0ohm,5%,1/4W,TP,3216	1		SA	AMR77	2007-000939	R-CHIP;47Kohm,1%,1/10W,TP,1608	1		SA
AMR24	2007-000078	R-CHIP;1Kohm,5%,1/10W,TP,1608	1		SA	AMR78	2007-001179	R-CHIP;8.2Kohm,5%,1/10W,TP,1608	1		SA
AMR241	2007-000033	R-CHIP;0ohm,5%,1/4W,TP,3216	1		SA	AMR79	2007-000122	R-CHIP;1.2Kohm,5%,1/10W,TP,1608	1		SA
AMR243	2007-000100	R-CHIP;68Kohm,5%,1/10W,TP,1608	1		SA	AMR8	2007-000122	R-CHIP;1.2Kohm,5%,1/10W,TP,1608	1		SA
AMR244	2007-000100	R-CHIP;68Kohm,5%,1/10W,TP,1608	1		SA	AMR80	2007-000039	R-CHIP;0ohm,1%,1/10W,TP,1608	1		SA
AMR245	2007-000100	R-CHIP;68Kohm,5%,1/10W,TP,1608	1		SA	AMR81	2007-000265	R-CHIP;1.8Kohm,1%,1/10W,TP,1608	1		SA
AMR248	2007-000120	R-CHIP;680ohm,5%,1/10W,TP,1608	1		SA	AMR82	2007-000075	R-CHIP;220ohm,5%,1/10W,TP,1608	1		SA
AMR249	2007-000312	R-CHIP;10ohm,5%,1/4W,TP,3216	1		SA	AMR83	2007-001179	R-CHIP;8.2Kohm,5%,1/10W,TP,1608	1		SA
AMR250	2007-000120	R-CHIP;680ohm,5%,1/10W,TP,1608	1		SA	AMR84	2007-000122	R-CHIP;1.2Kohm,5%,1/10W,TP,1608	1		SA
AMR251	2007-002899	R-CHIP;10ohm,1%,1/10W,TP,1608	1		SA	AMR85	2007-000039	R-CHIP;0ohm,1%,1/10W,TP,1608	1		SA
AMR252	2007-000080	R-CHIP;2Kohm,5%,1/10W,TP,1608	1		SA	AMR86	2007-000939	R-CHIP;47Kohm,1%,1/10W,TP,1608	1		SA
AMR253	2007-000312	R-CHIP;10ohm,5%,1/4W,TP,3216	1		SA	AMR87	2007-000265	R-CHIP;1.8Kohm,1%,1/10W,TP,1608	1		SA
AMR254	2007-000080	R-CHIP;2Kohm,5%,1/10W,TP,1608	1		SA	AMR88	2007-000075	R-CHIP;220ohm,5%,1/10W,TP,1608	1		SA
AMR255	2007-000080	R-CHIP;2Kohm,5%,1/10W,TP,1608	1		SA	AMR89	2007-001179	R-CHIP;8.2Kohm,5%,1/10W,TP,1608	1		SA
AMR256	2007-000080	R-CHIP;2Kohm,5%,1/10W,TP,1608	1		SA	AMR9	2007-000122	R-CHIP;1.2Kohm,5%,1/10W,TP,1608	1		SA
AMR258	2007-002899	R-CHIP;10ohm,1%,1/10W,TP,1608	1		SA	AMR90	2007-000265	R-CHIP;1.8Kohm,1%,1/10W,TP,1608	1		SA
AMR259	2007-002899	R-CHIP;10ohm,1%,1/10W,TP,1608	1		SA	AQ1	0501-000150	TR-SMALL SIGNAL;2SA1037,PNP,200mW,S	1		SA
AMR26	2007-000080	R-CHIP;2Kohm,5%,1/10W,TP,1608	1		SA	AQ10	0501-000479	TR-SMALL SIGNAL;KST42,NPN,350mW,SOT	1		SA
AMR260	2007-000312	R-CHIP;10ohm,5%,1/4W,TP,3216	1		SA	AQ11	0504-000128	TR-DIGITAL;-NPN,200MW,22K/22K,SOT-	1		SA
AMR262	2007-000033	R-CHIP;0ohm,5%,1/4W,TP,3216	1		SA	AQ12	0504-000128	TR-DIGITAL;-NPN,200MW,22K/22K,SOT-	1		SA
AMR263	2007-000033	R-CHIP;0ohm,5%,1/4W,TP,3216	1		SA	AQ13	0501-000457	TR-SMALL SIGNAL;MMBT2222A/KST2222A,	1		SA
AMR264	2007-000033	R-CHIP;0ohm,5%,1/4W,TP,3216	1		SA	AQ14	0504-000156	TR-DIGITAL;KSR2103,PNP,200MW,22K/22	1		SA
AMR28	2007-000080	R-CHIP;2Kohm,5%,1/10W,TP,1608	1		SA	AQ15	0502-001176	TR-POWER;KTC2026,NPN,2000mW,TO-220I	1		SA
AMR30	2007-000120	R-CHIP;680ohm,5%,1/10W,TP,1608	1		SA	AQ16	0504-000128	TR-DIGITAL;-NPN,200MW,22K/22K,SOT-	1		SA
AMR300	2007-000086	R-CHIP;5.6Kohm,5%,1/10W,TP,1608	1		SA	AQ17	0501-000150	TR-SMALL SIGNAL;2SA1037,PNP,200mW,S	1		SA
AMR301	2007-000097	R-CHIP;47Kohm,5%,1/10W,TP,1608	1		SA	AQ26	1203-001212	IC-VOL. DETECTOR;7029,SOT-89,3P,-,P	1		SA
AMR31	2007-000120	R-CHIP;680ohm,5%,1/10W,TP,1608	1		SA	AQ5	0501-000150	TR-SMALL SIGNAL;2SA1037,PNP,200mW,S	1		SA
AMR311	2007-000134	R-CHIP;33Kohm,5%,1/10W,TP,1608	1		SA	AQ6	0501-000150	TR-SMALL SIGNAL;2SA1037,PNP,200mW,S	1		SA
AMR312	2007-000134	R-CHIP;33Kohm,5%,1/10W,TP,1608	1		SA	AQ8	0501-000457	TR-SMALL SIGNAL;MMBT2222A/KST2222A,	1		SA
AMR313	2007-000134	R-CHIP;33Kohm,5%,1/10W,TP,1608	1		SA	AQ9	0501-000479	TR-SMALL SIGNAL;KST42,NPN,350mW,SOT	1		SA
AMR316	2007-000097	R-CHIP;47Kohm,5%,1/10W,TP,1608	1		SA	AR233	2007-000109	R-CHIP;1Mohm,5%,1/10W,TP,1608	1		SA
AMR317	2007-000090	R-CHIP;10Kohm,5%,1/10W,TP,1608	1		SA	AR234	2007-000090	R-CHIP;10Kohm,5%,1/10W,TP,1608	1		SA
AMR323	2007-000134	R-CHIP;33Kohm,5%,1/10W,TP,1608	1		SA	AR235	2007-000090	R-CHIP;10Kohm,5%,1/10W,TP,1608	1		SA
AMR324	2007-000134	R-CHIP;33Kohm,5%,1/10W,TP,1608	1		SA	AR236	2007-000090	R-CHIP;10Kohm,5%,1/10W,TP,1608	1		SA
AMR325	2007-000134	R-CHIP;33Kohm,5%,1/10W,TP,1608	1		SA	AR237	2007-000090	R-CHIP;10Kohm,5%,1/10W,TP,1608	1		SA
AMR33	2007-000080	R-CHIP;2Kohm,5%,1/10W,TP,1608	1		SA	AR238	2007-000090	R-CHIP;10Kohm,5%,1/10W,TP,1608	1		SA
AMR34	2007-000080	R-CHIP;2Kohm,5%,1/10W,TP,1608	1		SA	AR239	2007-000072	R-CHIP;47ohm,5%,1/10W,TP,1608	1		SA
AMR35	2007-000120	R-CHIP;680ohm,5%,1/10W,TP,1608	1		SA	AR242	2007-000072	R-CHIP;47ohm,5%,1/10W,TP,1608	1		SA
AMR36	2007-000120	R-CHIP;680ohm,5%,1/10W,TP,1608	1		SA	AR243	2007-000072	R-CHIP;47ohm,5%,1/10W,TP,1608	1		SA
AMR38	2007-000120	R-CHIP;680ohm,5%,1/10W,TP,1608	1		SA	AR244	2007-000072	R-CHIP;47ohm,5%,1/10W,TP,1608	1		SA
AMR39	2007-000120	R-CHIP;680ohm,5%,1/10W,TP,1608	1		SA	AR247	2007-000094	R-CHIP;22Kohm,5%,1/10W,TP,1608	1		SA
AMR41	2007-002899	R-CHIP;10ohm,1%,1/10W,TP,1608	1		SA	AR248	2007-000074	R-CHIP;100ohm,5%,1/10W,TP,1608	1		SA
AMR49	2007-000683	R-CHIP;3.3Kohm,1%,1/10W,TP,1608	1		SA	AR249	2007-000074	R-CHIP;100ohm,5%,1/10W,TP,1608	1		SA
AMR5	2007-000122	R-CHIP;1.2Kohm,5%,1/10W,TP,1608	1		SA	AR250	2007-000074	R-CHIP;100ohm,5%,1/10W,TP,1608	1		SA
AMR50	2007-000882	R-CHIP;4.7ohm,5%,1/10W,TP,1608	1		SA	AR251	2007-000077	R-CHIP;470ohm,5%,1/10W,TP,1608	1		SA
AMR51	2007-000882	R-CHIP;4.7ohm,5%,1/10W,TP,1608	1		SA	AR263	2007-000074	R-CHIP;100ohm,5%,1/10W,TP,1608	1		SA
AMR52	2007-000882	R-CHIP;4.7ohm,5%,1/10W,TP,1608	1		SA	AR323	2007-000090	R-CHIP;10Kohm,5%,1/10W,TP,1608	1		SA
AMR53	2007-000882	R-CHIP;4.7ohm,5%,1/10W,TP,1608	1		SA	AR325	2007-000072	R-CHIP;47ohm,5%,1/10W,TP,1608	1		SA
AMR54	2007-000683	R-CHIP;3.3Kohm,1%,1/10W,TP,1608	1		SA	AR326	2007-000072	R-CHIP;47ohm,5%,1/10W,TP,1608	1		SA

Exploded View & Part List

Loc. No.	Part No.	Description;Specification	Q'ty	SNA Remark	Loc. No.	Part No.	Description;Specification	Q'ty	SNA Remark
C54	2203-006158	C-CER,CHIP;100nF,10%,16V,X7R,1005	1	SA					
C55	2203-006158	C-CER,CHIP;100nF,10%,16V,X7R,1005	1	SA	CER7	2007-000143	R-CHIP;4.7Kohm,5%,1/16W,TP,1005	1	SA
C56	2203-006158	C-CER,CHIP;100nF,10%,16V,X7R,1005	1	SA	CER8	2007-000143	R-CHIP;4.7Kohm,5%,1/16W,TP,1005	1	SA
C57	2203-006158	C-CER,CHIP;100nF,10%,16V,X7R,1005	1	SA	CEX1	2802-001179	RESONATOR-CERAMIC;4MHZ,0.5%,BK,8X3X	1	SA
C58	2203-006158	C-CER,CHIP;100nF,10%,16V,X7R,1005	1	SA	COC1	2402-001237	C-AL,SMD;330uF,20%,6.3V,-,TP,6.3x7.	1	SA
C59	2203-006158	C-CER,CHIP;100nF,10%,16V,X7R,1005	1	SA	CON17	3708-002659	CONNECTOR-FPC/FFC/PIC;14P,1.0MM,SMD	1	SA
C60	2203-006158	C-CER,CHIP;100nF,10%,16V,X7R,1005	1	SA	CON18	3711-000683	HEADER-BOARD TO CABLE;BOX,13P,1R,2m	1	SA
C61	2203-006158	C-CER,CHIP;100nF,10%,16V,X7R,1005	1	SA	CON5	3708-001935	CONNECTOR-FPC/FFC/PIC;40P,0.5mm,SMD	1	SA
C62	2203-006158	C-CER,CHIP;100nF,10%,16V,X7R,1005	1	SA	COR10	2007-000070	R-CHIP;0ohm,5%,1/10W,TP,1608	1	SA
C64	2203-006158	C-CER,CHIP;100nF,10%,16V,X7R,1005	1	SA	COR16	2007-000070	R-CHIP;0ohm,5%,1/10W,TP,1608	1	SA
C65	2203-006158	C-CER,CHIP;100nF,10%,16V,X7R,1005	1	SA	COR17	2007-000070	R-CHIP;0ohm,5%,1/10W,TP,1608	1	SA
C66	2203-006158	C-CER,CHIP;100nF,10%,16V,X7R,1005	1	SA	COR18	2007-000070	R-CHIP;0ohm,5%,1/10W,TP,1608	1	SA
C67	2203-006158	C-CER,CHIP;100nF,10%,16V,X7R,1005	1	SA	COR6	2007-000070	R-CHIP;0ohm,5%,1/10W,TP,1608	1	SA
C68	2203-006158	C-CER,CHIP;100nF,10%,16V,X7R,1005	1	SA	COR7	2007-000070	R-CHIP;0ohm,5%,1/10W,TP,1608	1	SA
C69	2203-006158	C-CER,CHIP;100nF,10%,16V,X7R,1005	1	SA	COR8	2007-000070	R-CHIP;0ohm,5%,1/10W,TP,1608	1	SA
C70	2203-006158	C-CER,CHIP;100nF,10%,16V,X7R,1005	1	SA	COR9	2007-000070	R-CHIP;0ohm,5%,1/10W,TP,1608	1	SA
C71	2203-006158	C-CER,CHIP;100nF,10%,16V,X7R,1005	1	SA	DBGN1	3711-002630	HEADER-BOARD TO CABLE;NOWALL,10P,2R	1	SA
C72	2203-006158	C-CER,CHIP;100nF,10%,16V,X7R,1005	1	SA	DC1	2203-001656	C-CER,CHIP;0.47nF,5%,50V,NP0,1608	1	SA
C73	2203-006158	C-CER,CHIP;100nF,10%,16V,X7R,1005	1	SA	DC10	2203-006158	C-CER,CHIP;100nF,10%,16V,X7R,1005	1	SA
C74	2203-005692	C-CER,CHIP;4700nF,+80-20%,16V,Y5V,T	1	SA	DC11	2203-006361	C-CER,CHIP;10000nF,10%,10V,X5R,TP,2	1	SA
C75	2203-005692	C-CER,CHIP;4700nF,+80-20%,16V,Y5V,T	1	SA	DC12	2203-006361	C-CER,CHIP;10000nF,10%,10V,X5R,TP,2	1	SA
C76	2203-005692	C-CER,CHIP;4700nF,+80-20%,16V,Y5V,T	1	SA	DC13	2203-006361	C-CER,CHIP;10000nF,10%,10V,X5R,TP,2	1	SA
C77	2203-005692	C-CER,CHIP;4700nF,+80-20%,16V,Y5V,T	1	SA	DC16	2203-006361	C-CER,CHIP;10000nF,10%,10V,X5R,TP,2	1	SA
C78	2203-006361	C-CER,CHIP;10000nF,10%,10V,X5R,TP,2	1	SA	DC25	2203-000627	C-CER,CHIP;0.022nF,5%,50V,COG,1005	1	SA
C79	2203-006361	C-CER,CHIP;10000nF,10%,10V,X5R,TP,2	1	SA	DC26	2203-000627	C-CER,CHIP;0.022nF,5%,50V,COG,1005	1	SA
C85	2203-006361	C-CER,CHIP;10000nF,10%,10V,X5R,TP,2	1	SA	DC27	2203-000254	C-CER,CHIP;10nF,10%,16V,X7R,1005	1	SA
C86	2203-006361	C-CER,CHIP;10000nF,10%,10V,X5R,TP,2	1	SA	DC29	2203-006158	C-CER,CHIP;100nF,10%,16V,X7R,1005	1	SA
C87	2203-006361	C-CER,CHIP;10000nF,10%,10V,X5R,TP,2	1	SA	DC3	2203-001656	C-CER,CHIP;0.47nF,5%,50V,NP0,1608	1	SA
C88	2203-006361	C-CER,CHIP;10000nF,10%,10V,X5R,TP,2	1	SA	DC30	2203-006158	C-CER,CHIP;100nF,10%,16V,X7R,1005	1	SA
C89	2203-006361	C-CER,CHIP;10000nF,10%,10V,X5R,TP,2	1	SA	DC36	2203-000438	C-CER,CHIP;1nF,10%,50V,X7R,1005	1	SA
C90	2203-006361	C-CER,CHIP;10000nF,10%,10V,X5R,TP,2	1	SA	DC4	2203-001656	C-CER,CHIP;0.47nF,5%,50V,NP0,1608	1	SA
C91	2203-006361	C-CER,CHIP;10000nF,10%,10V,X5R,TP,2	1	SA	DC40	2203-006158	C-CER,CHIP;100nF,10%,16V,X7R,1005	1	SA
C92	2203-006361	C-CER,CHIP;10000nF,10%,10V,X5R,TP,2	1	SA	DC5	2203-006361	C-CER,CHIP;10000nF,10%,10V,X5R,TP,2	1	SA
C93	2203-006361	C-CER,CHIP;10000nF,10%,10V,X5R,TP,2	1	SA	DC50	2203-006158	C-CER,CHIP;100nF,10%,16V,X7R,1005	1	SA
C-AL-TEMP	2401-001324	C-AL;0.47uF,20%,50V,GP,BK,3X5,2.5	1	SA	DC51	2203-006361	C-CER,CHIP;10000nF,10%,10V,X5R,TP,2	1	SA
CEC1	2203-006158	C-CER,CHIP;100nF,10%,16V,X7R,1005	1	SA	DC7	2203-001656	C-CER,CHIP;0.47nF,5%,50V,NP0,1608	1	SA
CEC2	2203-006158	C-CER,CHIP;100nF,10%,16V,X7R,1005	1	SA	DC8	2203-006158	C-CER,CHIP;100nF,10%,16V,X7R,1005	1	SA
CEC3	2203-006333	C-CER,CHIP;10000nF,20%,16V,X5R,TP,3	1	SA	DC9	2203-006158	C-CER,CHIP;100nF,10%,16V,X7R,1005	1	SA
CEIC1	AK09-00159A	IC MICOM;MC80C0316-MC015 D32,44,2.7	1	SA	DIC1	AH14-10004R	IC-CMOS LOGIC;74HCU04,-,SOP,14P,-,-	1	SA
CEIC2	1103-001333	IC-EEPROM;24C08A,8Kbit,1Kx8,SOP,8P,	1	SA	DIC2	1205-003160	IC-CODEC;AK4113VF,VSOP,30P,9.7x5.6mm	1	SA
CER1	2007-000171	R-CHIP;0ohm,5%,1/16W,TP,1005	1	SA	DIC3	0802-001007	IC-CMOS LOGIC;74LCX244,BUFFER/LINE	1	SA
CER10	2011-001345	R-NETWORK;10Kohm,5%,1/16W,L,CHIP,8P	1	SA	DIC4	0801-002564	IC-CMOS LOGIC;74VHCT244A,BUFFER,TSS	1	SA
CER11	2007-000148	R-CHIP;10Kohm,5%,1/16W,TP,1005	1	SA	DIC7	0801-002518	IC-CMOS LOGIC;74LCX157,2-INPUT MULT	1	SA
CER15	2007-000138	R-CHIP;100ohm,5%,1/16W,TP,1005	1	SA	DJ1	0603-001164	OPTIC TRANSMITTER;5V,16Mb/s,0m,0dBm	1	SA
CER16	2007-000171	R-CHIP;0ohm,5%,1/16W,TP,1005	1	SA	DL1	3301-000317	BEAD-SMD;120ohm,2012,TP,-,-	1	SA
CER17	2007-000171	R-CHIP;0ohm,5%,1/16W,TP,1005	1	SA	DL10	3301-000353	BEAD-SMD;120ohm,2x1.25x0.9mm,-,TP,-	1	SA
CER18	2011-001345	R-NETWORK;10Kohm,5%,1/16W,L,CHIP,8P	1	SA	DL11	3301-000353	BEAD-SMD;120ohm,2x1.25x0.9mm,-,TP,-	1	SA
CER19	2007-000138	R-CHIP;100ohm,5%,1/16W,TP,1005	1	SA	DL3	2703-000398	INDUCTOR-SMD;10uH,10%,3225	1	SA
CER2	2007-000173	R-CHIP;22ohm,5%,1/16W,TP,1005	1	SA	DL31	3301-000353	BEAD-SMD;120ohm,2x1.25x0.9mm,-,TP,-	1	SA
CER21	2007-000148	R-CHIP;10Kohm,5%,1/16W,TP,1005	1	SA	DL5	3301-000353	BEAD-SMD;120ohm,2x1.25x0.9mm,-,TP,-	1	SA
CER22	2007-000170	R-CHIP;1Mohm,5%,1/16W,TP,1005	1	SA	DL6	3301-000353	BEAD-SMD;120ohm,2x1.25x0.9mm,-,TP,-	1	SA
CER23	2007-000138	R-CHIP;100ohm,5%,1/16W,TP,1005	1	SA	DL9	3301-001495	BEAD-SMD;120ohm,2012,2500mA,TP,1150	1	SA
CER27	2007-000143	R-CHIP;4.7Kohm,5%,1/16W,TP,1005	1	SA	DPC1	2203-006361	C-CER,CHIP;10000nF,10%,10V,X5R,TP,2	1	SA
CER28	2007-000148	R-CHIP;10Kohm,5%,1/16W,TP,1005	1	SA	DPC10	2203-006158	C-CER,CHIP;100nF,10%,16V,X7R,1005	1	SA
CER3	2007-000173	R-CHIP;22ohm,5%,1/16W,TP,1005	1	SA	DPC11	2203-006158	C-CER,CHIP;100nF,10%,16V,X7R,1005	1	SA
CER32	2007-000141	R-CHIP;2.2Kohm,5%,1/16W,TP,1005	1	SA	DPC12	2203-006158	C-CER,CHIP;100nF,10%,16V,X7R,1005	1	SA
CER4	2007-000140	R-CHIP;1Kohm,5%,1/16W,TP,1005	1	SA	DPC13	2203-006158	C-CER,CHIP;100nF,10%,16V,X7R,1005	1	SA
CER5	2007-000140	R-CHIP;1Kohm,5%,1/16W,TP,1005	1	SA	DPC14	2203-006158	C-CER,CHIP;100nF,10%,16V,X7R,1005	1	SA
CER6	2007-000143	R-CHIP;4.7Kohm,5%,1/16W,TP,1005	1	SA	DPC15	2203-006158	C-CER,CHIP;100nF,10%,16V,X7R,1005	1	SA

Loc. No.	Part No.	Description;Specification	Q'ty	SNA	Remark	Loc. No.	Part No.	Description;Specification	Q'ty	SNA	Remark
DPC16	2203-006158	C-CER,CHIP;100nF,10%,16V,X7R,1005	1		SA	DPR26	2007-001292	R-CHIP;33ohm,5%,1/16W,TP,1005	1		SA
DPC17	2203-006158	C-CER,CHIP;100nF,10%,16V,X7R,1005	1		SA	DPR27	2007-001292	R-CHIP;33ohm,5%,1/16W,TP,1005	1		SA
DPC18	2203-006158	C-CER,CHIP;100nF,10%,16V,X7R,1005	1		SA	DPR28	2007-001292	R-CHIP;33ohm,5%,1/16W,TP,1005	1		SA
DPC19	2203-006158	C-CER,CHIP;100nF,10%,16V,X7R,1005	1		SA	DPR29	2007-000140	R-CHIP;1Kohm,5%,1/16W,TP,1005	1		SA
DPC2	2203-006158	C-CER,CHIP;100nF,10%,16V,X7R,1005	1		SA	DPR3	2007-001292	R-CHIP;33ohm,5%,1/16W,TP,1005	1		SA
DPC20	2203-006158	C-CER,CHIP;100nF,10%,16V,X7R,1005	1		SA	DPR30	2007-000140	R-CHIP;1Kohm,5%,1/16W,TP,1005	1		SA
DPC21	2203-006158	C-CER,CHIP;100nF,10%,16V,X7R,1005	1		SA	DPR31	2007-001292	R-CHIP;33ohm,5%,1/16W,TP,1005	1		SA
DPC22	2203-006158	C-CER,CHIP;100nF,10%,16V,X7R,1005	1		SA	DPR32	2007-001292	R-CHIP;33ohm,5%,1/16W,TP,1005	1		SA
DPC23	2203-006158	C-CER,CHIP;100nF,10%,16V,X7R,1005	1		SA	DPR33	2007-001292	R-CHIP;33ohm,5%,1/16W,TP,1005	1		SA
DPC24	2203-006158	C-CER,CHIP;100nF,10%,16V,X7R,1005	1		SA	DPR34	2007-001292	R-CHIP;33ohm,5%,1/16W,TP,1005	1		SA
DPC25	2203-006158	C-CER,CHIP;100nF,10%,16V,X7R,1005	1		SA	DPR35	2007-001292	R-CHIP;33ohm,5%,1/16W,TP,1005	1		SA
DPC26	2203-006158	C-CER,CHIP;100nF,10%,16V,X7R,1005	1		SA	DPR36	2007-001292	R-CHIP;33ohm,5%,1/16W,TP,1005	1		SA
DPC27	2203-006158	C-CER,CHIP;100nF,10%,16V,X7R,1005	1		SA	DPR37	2007-000140	R-CHIP;1Kohm,5%,1/16W,TP,1005	1		SA
DPC28	2203-006158	C-CER,CHIP;100nF,10%,16V,X7R,1005	1		SA	DPR38	2007-001292	R-CHIP;33ohm,5%,1/16W,TP,1005	1		SA
DPC29	2203-006361	C-CER,CHIP;1000nF,10%,10V,X5R,TP,2	1		SA	DPR39	2007-001292	R-CHIP;33ohm,5%,1/16W,TP,1005	1		SA
DPC3	2203-006158	C-CER,CHIP;100nF,10%,16V,X7R,1005	1		SA	DPR4	2007-001292	R-CHIP;33ohm,5%,1/16W,TP,1005	1		SA
DPC30	2203-002398	C-CER,CHIP;22nF,10%,50V,X7R,1608	1		SA	DPR40	2007-001292	R-CHIP;33ohm,5%,1/16W,TP,1005	1		SA
DPC31	2203-006158	C-CER,CHIP;100nF,10%,16V,X7R,1005	1		SA	DPR41	2007-001292	R-CHIP;33ohm,5%,1/16W,TP,1005	1		SA
DPC32	2203-006158	C-CER,CHIP;100nF,10%,16V,X7R,1005	1		SA	DPR42	2007-001292	R-CHIP;33ohm,5%,1/16W,TP,1005	1		SA
DPC33	2203-006158	C-CER,CHIP;100nF,10%,16V,X7R,1005	1		SA	DPR43	2007-000171	R-CHIP;0ohm,5%,1/16W,TP,1005	1		SA
DPC34	2203-006158	C-CER,CHIP;100nF,10%,16V,X7R,1005	1		SA	DPR44	2007-000171	R-CHIP;0ohm,5%,1/16W,TP,1005	1		SA
DPC35	2203-006158	C-CER,CHIP;100nF,10%,16V,X7R,1005	1		SA	DPR45	2007-000171	R-CHIP;0ohm,5%,1/16W,TP,1005	1		SA
DPC36	2203-006158	C-CER,CHIP;100nF,10%,16V,X7R,1005	1		SA	DPR5	2007-000171	R-CHIP;0ohm,5%,1/16W,TP,1005	1		SA
DPC37	2203-006158	C-CER,CHIP;100nF,10%,16V,X7R,1005	1		SA	DPR6	2007-000140	R-CHIP;1Kohm,5%,1/16W,TP,1005	1		SA
DPC38	2203-006158	C-CER,CHIP;100nF,10%,16V,X7R,1005	1		SA	DPR7	2007-000140	R-CHIP;1Kohm,5%,1/16W,TP,1005	1		SA
DPC39	2203-006158	C-CER,CHIP;100nF,10%,16V,X7R,1005	1		SA	DPR8	2007-001292	R-CHIP;33ohm,5%,1/16W,TP,1005	1		SA
DPC4	2203-006158	C-CER,CHIP;100nF,10%,16V,X7R,1005	1		SA	DPR9	2007-000140	R-CHIP;1Kohm,5%,1/16W,TP,1005	1		SA
DPC40	2203-006158	C-CER,CHIP;100nF,10%,16V,X7R,1005	1		SA	DR106	2007-001292	R-CHIP;33ohm,5%,1/16W,TP,1005	1		SA
DPC41	2203-006158	C-CER,CHIP;100nF,10%,16V,X7R,1005	1		SA	DR109	2007-001292	R-CHIP;33ohm,5%,1/16W,TP,1005	1		SA
DPC42	2203-006361	C-CER,CHIP;1000nF,10%,10V,X5R,TP,2	1		SA	DR110	2007-001292	R-CHIP;33ohm,5%,1/16W,TP,1005	1		SA
DPC43	2203-006158	C-CER,CHIP;100nF,10%,16V,X7R,1005	1		SA	DR2	2007-000143	R-CHIP;4.7Kohm,5%,1/16W,TP,1005	1		SA
DPC44	2203-006158	C-CER,CHIP;100nF,10%,16V,X7R,1005	1		SA	DR24	2007-001292	R-CHIP;33ohm,5%,1/16W,TP,1005	1		SA
DPC45	2203-006158	C-CER,CHIP;100nF,10%,16V,X7R,1005	1		SA	DR25	2007-001292	R-CHIP;33ohm,5%,1/16W,TP,1005	1		SA
DPC46	2203-006158	C-CER,CHIP;100nF,10%,16V,X7R,1005	1		SA	DR26	2007-000138	R-CHIP;100ohm,5%,1/16W,TP,1005	1		SA
DPC47	2203-006158	C-CER,CHIP;100nF,10%,16V,X7R,1005	1		SA	DR27	2007-000402	R-CHIP;150ohm,5%,1/10W,TP,1608	1		SA
DPC48	2203-006361	C-CER,CHIP;10000nF,10%,10V,X5R,TP,2	1		SA	DR28	2007-001292	R-CHIP;33ohm,5%,1/16W,TP,1005	1		SA
DPC5	2203-006158	C-CER,CHIP;100nF,10%,16V,X7R,1005	1		SA	DR29	2007-000138	R-CHIP;100ohm,5%,1/16W,TP,1005	1		SA
DPC6	2203-006158	C-CER,CHIP;100nF,10%,16V,X7R,1005	1		SA	DR30	2007-000138	R-CHIP;100ohm,5%,1/16W,TP,1005	1		SA
DPC7	2203-006158	C-CER,CHIP;100nF,10%,16V,X7R,1005	1		SA	DR32	2007-000138	R-CHIP;100ohm,5%,1/16W,TP,1005	1		SA
DPC8	2203-006158	C-CER,CHIP;100nF,10%,16V,X7R,1005	1		SA	DR33	2007-000138	R-CHIP;100ohm,5%,1/16W,TP,1005	1		SA
DPC9	2203-006361	C-CER,CHIP;10000nF,10%,10V,X5R,TP,2	1		SA	DR34	2007-000138	R-CHIP;100ohm,5%,1/16W,TP,1005	1		SA
DPR1	2007-000171	R-CHIP;0ohm,5%,1/16W,TP,1005	1		SA	DR37	2007-000153	R-CHIP;22Kohm,5%,1/16W,TP,1005	1		SA
DPR10	2007-000140	R-CHIP;1Kohm,5%,1/16W,TP,1005	1		SA	DR38	2007-001292	R-CHIP;33ohm,5%,1/16W,TP,1005	1		SA
DPR11	2007-000140	R-CHIP;1Kohm,5%,1/16W,TP,1005	1		SA	DR39	2007-000138	R-CHIP;100ohm,5%,1/16W,TP,1005	1		SA
DPR12	2007-000157	R-CHIP;47Kohm,5%,1/16W,TP,1005	1		SA	DR40	2007-001292	R-CHIP;33ohm,5%,1/16W,TP,1005	1		SA
DPR13	2007-000140	R-CHIP;1Kohm,5%,1/16W,TP,1005	1		SA	DR41	2007-001292	R-CHIP;33ohm,5%,1/16W,TP,1005	1		SA
DPR14	2007-000140	R-CHIP;1Kohm,5%,1/16W,TP,1005	1		SA	DR44	2007-001292	R-CHIP;33ohm,5%,1/16W,TP,1005	1		SA
DPR15	2007-001292	R-CHIP;33ohm,5%,1/16W,TP,1005	1		SA	DR45	2007-001292	R-CHIP;33ohm,5%,1/16W,TP,1005	1		SA
DPR16	2007-001292	R-CHIP;33ohm,5%,1/16W,TP,1005	1		SA	DR46	2007-001292	R-CHIP;33ohm,5%,1/16W,TP,1005	1		SA
DPR17	2007-001292	R-CHIP;33ohm,5%,1/16W,TP,1005	1		SA	DR47	2007-001292	R-CHIP;33ohm,5%,1/16W,TP,1005	1		SA
DPR18	2007-001292	R-CHIP;33ohm,5%,1/16W,TP,1005	1		SA	DR48	2007-001292	R-CHIP;33ohm,5%,1/16W,TP,1005	1		SA
DPR19	2007-000143	R-CHIP;4.7Kohm,5%,1/16W,TP,1005	1		SA	DR49	2007-001292	R-CHIP;33ohm,5%,1/16W,TP,1005	1		SA
DPR20	2007-000171	R-CHIP;0ohm,5%,1/16W,TP,1005	1		SA	DR51	2007-001292	R-CHIP;33ohm,5%,1/16W,TP,1005	1		SA
DPR21	2007-001292	R-CHIP;33ohm,5%,1/16W,TP,1005	1		SA	DR52	2007-001292	R-CHIP;33ohm,5%,1/16W,TP,1005	1		SA
DPR22	2007-000171	R-CHIP;0ohm,5%,1/16W,TP,1005	1		SA	DR54	2007-001292	R-CHIP;33ohm,5%,1/16W,TP,1005	1		SA
DPR23	2007-001292	R-CHIP;33ohm,5%,1/16W,TP,1005	1		SA	DR58	2007-000138	R-CHIP;100ohm,5%,1/16W,TP,1005	1		SA
DPR24	2007-001292	R-CHIP;33ohm,5%,1/16W,TP,1005	1		SA	DR62	2007-001292	R-CHIP;33ohm,5%,1/16W,TP,1005	1		SA
DPR25	2007-001292	R-CHIP;33ohm,5%,1/16W,TP,1005	1		SA	DR63	2007-001292	R-CHIP;33ohm,5%,1/16W,TP,1005	1		SA
						DR70	2007-001292	R-CHIP;33ohm,5%,1/16W,TP,1005	1		SA

Exploded View & Part List

Loc. No.	Part No.	Description;Specification	Q'ty	SNA	Remark	Loc. No.	Part No.	Description;Specification	Q'ty	SNA	Remark
DR71	2007-001292	R-CHIP;33ohm,5%,1/16W,TP,1005	1		SA	FAC1	2402-000120	C-AL,SMD;10UF,20%,50V,GP,TP,6.6X6.6	1		SA
DR72	2007-000932	R-CHIP;470ohm,5%,1/16W,TP,1005	1		SA	FAC2	2203-005249	C-CER,CHIP;100nF,10%,50V,X7R,TP,160	1		SA
DR73	2007-000170	R-CHIP;1Mohm,5%,1/16W,TP,1005	1		SA	FAC4	2402-000008	C-AL,SMD;47uF,20%,16V,GP,TP,6.6x6.6	1		SA
DR75	2007-007132	R-CHIP;15Kohm,1%,1/16W,TP,1005	1		SA	FAC5	2402-000008	C-AL,SMD;47uF,20%,16V,GP,TP,6.6x6.6	1		SA
DR78	2007-000138	R-CHIP;100ohm,5%,1/16W,TP,1005	1		SA	FAQ1	0501-000279	TR-SMALL SIGNAL;KSA1182-Y,P,NP,150mW	1		SA
DR79	2007-000402	R-CHIP;150ohm,5%,1/10W,TP,1608	1		SA	FAQ2	0504-000128	TR-DIGITAL;-NPN,200MW,22K/22K,SOT-	1		SA
DR80	2007-000402	R-CHIP;150ohm,5%,1/10W,TP,1608	1		SA	FAQ3	0501-000279	TR-SMALL SIGNAL;KSA1182-Y,P,NP,150mW	1		SA
DR85	2007-001292	R-CHIP;33ohm,5%,1/16W,TP,1005	1		SA	FAQ4	0501-000341	TR-SMALL SIGNAL;KSC1623-L,NPN,200mW	1		SA
DR90	2007-001292	R-CHIP;33ohm,5%,1/16W,TP,1005	1		SA	FAR1	2007-000090	R-CHIP;10Kohm,5%,1/10W,TP,1608	1		SA
DSC145	2203-006361	C-CER,CHIP;1000nF,10%,10V,X5R,TP,2	1		SA	FAR10	2007-000102	R-CHIP;100Kohm,5%,1/10W,TP,1608	1		SA
DSC41	2203-006158	C-CER,CHIP;100nF,10%,16V,X7R,1005	1		SA	FAR2	2007-000082	R-CHIP;3.3Kohm,5%,1/10W,TP,1608	1		SA
DSC47	2203-006361	C-CER,CHIP;1000nF,10%,10V,X5R,TP,2	1		SA	FAR3	2007-001300	R-CHIP;56ohm,5%,1/2W,TP,5025	1		SA
DSCP1	2203-006158	C-CER,CHIP;100nF,10%,16V,X7R,1005	1		SA	FAR4	2007-007790	R-CHIP;20ohm,1%,1W,TP,6432	1		SA
DSIC1	0904-002352	IC-DSP;TMS320DA788B,TQFP,144P,20.2x	1		SA	FAR5	2007-000097	R-CHIP;47Kohm,5%,1/10W,TP,1608	1		SA
DSIC14	1203-002220	IC-POS1.ADJUST REG.;LD1117,DPAK,3P,	1		SA	FAR6	2007-000783	R-CHIP;33ohm,5%,1/4W,TP,3216	1		SA
DSIC4	1107-001505	IC-FLASH MEMORY;AT49BV163DT,16Mbit,	1		SA	FAR7	2007-000097	R-CHIP;47Kohm,5%,1/10W,TP,1608	1		SA
DSIC5	1105-001573	IC-DRAM;K4S281632,-128Mbit,8Mx16Bi	1		SA	FAR8	2007-000084	R-CHIP;4.7Kohm,5%,1/10W,TP,1608	1		SA
DSL2	3301-001495	BEAD-SMD;120ohm,2012,2500mA,TP,115o	1		SA	FAR9	2007-000090	R-CHIP;10Kohm,5%,1/10W,TP,1608	1		SA
DSL4	3301-001495	BEAD-SMD;120ohm,2012,2500mA,TP,115o	1		SA	FEC1	2203-006048	C-CER,CHIP;100nF,10%,10V,X7R,1005	1		SA
DSL7	3301-001495	BEAD-SMD;120ohm,2012,2500mA,TP,115o	1		SA	FEC10	2203-006361	C-CER,CHIP;1000nF,10%,10V,X5R,TP,2	1		SA
DSRN1	2011-001261	R-NETWORK;33ohm,5%,1/16W,L,CHIP,8P,	1		SA	FEC100	2203-006048	C-CER,CHIP;100nF,10%,10V,X7R,1005	1		SA
DSRN19	2011-001261	R-NETWORK;33ohm,5%,1/16W,L,CHIP,8P,	1		SA	FEC101	2203-006048	C-CER,CHIP;100nF,10%,10V,X7R,1005	1		SA
DSRN2	2011-001261	R-NETWORK;33ohm,5%,1/16W,L,CHIP,8P,	1		SA	FEC102	2203-005819	C-CER,CHIP;1000nF,+80-20%,16V,Y5V,T	1		SA
DSRN3	2011-001261	R-NETWORK;33ohm,5%,1/16W,L,CHIP,8P,	1		SA	FEC103	2203-006048	C-CER,CHIP;100nF,10%,10V,X7R,1005	1		SA
DSRN4	2011-001261	R-NETWORK;33ohm,5%,1/16W,L,CHIP,8P,	1		SA	FEC104	2203-006048	C-CER,CHIP;100nF,10%,10V,X7R,1005	1		SA
DSRN5	2011-001261	R-NETWORK;33ohm,5%,1/16W,L,CHIP,8P,	1		SA	FEC105	2203-006048	C-CER,CHIP;100nF,10%,10V,X7R,1005	1		SA
DSRN6	2011-001261	R-NETWORK;33ohm,5%,1/16W,L,CHIP,8P,	1		SA	FEC106	2203-006048	C-CER,CHIP;100nF,10%,10V,X7R,1005	1		SA
DSRN7	2011-001261	R-NETWORK;33ohm,5%,1/16W,L,CHIP,8P,	1		SA	FEC107	2203-006048	C-CER,CHIP;100nF,10%,10V,X7R,1005	1		SA
DSRN8	2011-001261	R-NETWORK;33ohm,5%,1/16W,L,CHIP,8P,	1		SA	FEC108	2203-006361	C-CER,CHIP;1000nF,10%,10V,X5R,TP,2	1		SA
DSRN9	2011-001261	R-NETWORK;33ohm,5%,1/16W,L,CHIP,8P,	1		SA	FEC109	2203-006361	C-CER,CHIP;1000nF,10%,10V,X5R,TP,2	1		SA
EC1	2203-000254	C-CER,CHIP;10nF,10%,16V,X7R,1005	1		SA	FEC110	2203-006361	C-CER,CHIP;1000nF,10%,10V,X5R,TP,2	1		SA
EC10	2203-006158	C-CER,CHIP;100nF,10%,16V,X7R,1005	1		SA	FEC111	2203-006048	C-CER,CHIP;100nF,10%,10V,X7R,1005	1		SA
EC2	2203-000254	C-CER,CHIP;10nF,10%,16V,X7R,1005	1		SA	FEC112	2203-006048	C-CER,CHIP;100nF,10%,10V,X7R,1005	1		SA
EC3	2203-000254	C-CER,CHIP;10nF,10%,16V,X7R,1005	1		SA	FEC113	2203-006361	C-CER,CHIP;1000nF,10%,10V,X5R,TP,2	1		SA
EC4	2203-000254	C-CER,CHIP;10nF,10%,16V,X7R,1005	1		SA	FEC114	2203-006361	C-CER,CHIP;1000nF,10%,10V,X5R,TP,2	1		SA
EC5	2203-006158	C-CER,CHIP;100nF,10%,16V,X7R,1005	1		SA	FEC115	2203-006048	C-CER,CHIP;100nF,10%,10V,X7R,1005	1		SA
EC6	2203-006158	C-CER,CHIP;100nF,10%,16V,X7R,1005	1		SA	FEC116	2203-006048	C-CER,CHIP;100nF,10%,10V,X7R,1005	1		SA
EC7	2203-006158	C-CER,CHIP;100nF,10%,16V,X7R,1005	1		SA	FEC117	2203-006361	C-CER,CHIP;1000nF,10%,10V,X5R,TP,2	1		SA
EC8	2203-000438	C-CER,CHIP;1nF,10%,50V,X7R,1005	1		SA	FEC118	2203-006361	C-CER,CHIP;1000nF,10%,10V,X5R,TP,2	1		SA
EC9	2203-000438	C-CER,CHIP;1nF,10%,50V,X7R,1005	1		SA	FEC119	2203-006048	C-CER,CHIP;100nF,10%,10V,X7R,1005	1		SA
ECN1	3722-002730	JACK-MODULAR;6P/4P,USB+LAN,ANGLE,N,	1		SA	FEC120	2203-006048	C-CER,CHIP;100nF,10%,10V,X7R,1005	1		SA
EL1	3301-000317	BEAD-SMD;120ohm,2012,TP,-,-	1		SA	FEC121	2203-006048	C-CER,CHIP;100nF,10%,10V,X7R,1005	1		SA
ER1	2007-007226	R-CHIP;49.9ohm,1%,1/10W,TP,1608	1		SA	FEC122	2203-006048	C-CER,CHIP;100nF,10%,10V,X7R,1005	1		SA
ER10	2007-000070	R-CHIP;0ohm,5%,1/10W,TP,1608	1		SA	FEC123	2203-006048	C-CER,CHIP;100nF,10%,10V,X7R,1005	1		SA
ER11	2007-000070	R-CHIP;0ohm,5%,1/10W,TP,1608	1		SA	FEC124	2203-000425	C-CER,CHIP;0.018nF,5%,50V,C0G,1005	1		SA
ER12	2007-000070	R-CHIP;0ohm,5%,1/10W,TP,1608	1		SA	FEC125	2203-006048	C-CER,CHIP;100nF,10%,10V,X7R,1005	1		SA
ER17	2007-000148	R-CHIP;10Kohm,5%,1/16W,TP,1005	1		SA	FEC126	2203-006048	C-CER,CHIP;100nF,10%,10V,X7R,1005	1		SA
ER18	2007-000982	R-CHIP;5.6Kohm,5%,1/16W,TP,1005	1		SA	FEC127	2203-000425	C-CER,CHIP;0.018nF,5%,50V,C0G,1005	1		SA
ER19	2007-000143	R-CHIP;4.7Kohm,5%,1/16W,TP,1005	1		SA	FEC128	2203-006048	C-CER,CHIP;100nF,10%,10V,X7R,1005	1		SA
ER2	2007-007226	R-CHIP;49.9ohm,1%,1/10W,TP,1608	1		SA	FEC129	2203-000254	C-CER,CHIP;10nF,10%,16V,X7R,1005	1		SA
ER20	2007-000148	R-CHIP;10Kohm,5%,1/16W,TP,1005	1		SA	FEC13	2203-006158	C-CER,CHIP;100nF,10%,16V,X7R,1005	1		SA
ER3	2007-000143	R-CHIP;4.7Kohm,5%,1/16W,TP,1005	1		SA	FEC130	2203-000254	C-CER,CHIP;10nF,10%,16V,X7R,1005	1		SA
ER4	2007-000143	R-CHIP;4.7Kohm,5%,1/16W,TP,1005	1		SA	FEC131	2203-000254	C-CER,CHIP;10nF,10%,16V,X7R,1005	1		SA
ER5	2007-007226	R-CHIP;49.9ohm,1%,1/10W,TP,1608	1		SA	FEC132	2203-000254	C-CER,CHIP;10nF,10%,16V,X7R,1005	1		SA
ER6	2007-007226	R-CHIP;49.9ohm,1%,1/10W,TP,1608	1		SA	FEC133	2203-006048	C-CER,CHIP;100nF,10%,10V,X7R,1005	1		SA
ER7	2007-000070	R-CHIP;0ohm,5%,1/10W,TP,1608	1		SA	FEC134	2203-006361	C-CER,CHIP;1000nF,10%,10V,X5R,TP,2	1		SA
ER8	2007-000070	R-CHIP;0ohm,5%,1/10W,TP,1608	1		SA						
ER9	2007-000070	R-CHIP;0ohm,5%,1/10W,TP,1608	1		SA						

Loc. No.	Part No.	Description;Specification	Q'ty	SNA	Remark	Loc. No.	Part No.	Description;Specification	Q'ty	SNA	Remark
FEC137	2203-006048	C-CER,CHIP;100nF,10%,10V,X7R,1005	1		SA						
FEC138	2203-006361	C-CER,CHIP;1000nF,10%,10V,X5R,TP,2	1		SA	FER109	2007-000148	R-CHIP;10Kohm,5%,1/16W,TP,1005	1		SA
FEC14	2203-006048	C-CER,CHIP;100nF,10%,10V,X7R,1005	1		SA	FER11	2007-000171	R-CHIP;0ohm,5%,1/16W,TP,1005	1		SA
FEC2	2203-006048	C-CER,CHIP;100nF,10%,10V,X7R,1005	1		SA	FER111	2007-000148	R-CHIP;10Kohm,5%,1/16W,TP,1005	1		SA
FEC28	2203-006361	C-CER,CHIP;1000nF,10%,10V,X5R,TP,2	1		SA	FER112	2007-000148	R-CHIP;10Kohm,5%,1/16W,TP,1005	1		SA
FEC3	2203-006048	C-CER,CHIP;100nF,10%,10V,X7R,1005	1		SA	FER116	2007-001292	R-CHIP;33ohm,5%,1/16W,TP,1005	1		SA
FEC30	2203-006048	C-CER,CHIP;100nF,10%,10V,X7R,1005	1		SA	FER12	2007-000171	R-CHIP;0ohm,5%,1/16W,TP,1005	1		SA
FEC302	2404-000284	C-TA,CHIP;10uF,20%,16V,-,TP,3528	1		SA	FER121	2007-007100	R-CHIP;10Mohm,5%,1/16W,TP,1005	1		SA
FEC309	2203-006048	C-CER,CHIP;100nF,10%,10V,X7R,1005	1		SA	FER122	2007-001335	R-CHIP;36Kohm,5%,1/16W,TP,1005	1		SA
FEC313	2203-000438	C-CER,CHIP;1nF,10%,50V,X7R,1005	1		SA	FER124	2007-000155	R-CHIP;27Kohm,5%,1/16W,TP,1005	1		SA
FEC314	2203-000438	C-CER,CHIP;1nF,10%,50V,X7R,1005	1		SA	FER125	2007-000155	R-CHIP;27Kohm,5%,1/16W,TP,1005	1		SA
FEC315	2203-000438	C-CER,CHIP;1nF,10%,50V,X7R,1005	1		SA	FER127	2007-000148	R-CHIP;10Kohm,5%,1/16W,TP,1005	1		SA
FEC317	2203-006361	C-CER,CHIP;1000nF,10%,10V,X5R,TP,2	1		SA	FER129	2007-000157	R-CHIP;47Kohm,5%,1/16W,TP,1005	1		SA
FEC318	2203-006048	C-CER,CHIP;100nF,10%,10V,X7R,1005	1		SA	FER13	2007-000171	R-CHIP;0ohm,5%,1/16W,TP,1005	1		SA
FEC319	2203-006048	C-CER,CHIP;100nF,10%,10V,X7R,1005	1		SA	FER130	2007-000152	R-CHIP;20Kohm,5%,1/16W,TP,1005	1		SA
FEC320	2203-000726	C-CER,CHIP;3.9nF,10%,50V,X7R,1608	1		SA	FER131	2007-000148	R-CHIP;10Kohm,5%,1/16W,TP,1005	1		SA
FEC321	2203-000726	C-CER,CHIP;3.9nF,10%,50V,X7R,1608	1		SA	FER132	2007-000155	R-CHIP;27Kohm,5%,1/16W,TP,1005	1		SA
FEC327	2203-006361	C-CER,CHIP;1000nF,10%,10V,X5R,TP,2	1		SA	FER133	2007-000155	R-CHIP;27Kohm,5%,1/16W,TP,1005	1		SA
FEC328	2203-006048	C-CER,CHIP;100nF,10%,10V,X7R,1005	1		SA	FER137	2007-000171	R-CHIP;0ohm,5%,1/16W,TP,1005	1		SA
FEC329	2203-000726	C-CER,CHIP;3.9nF,10%,50V,X7R,1608	1		SA	FER139	2007-000341	R-CHIP;120Kohm,5%,1/4W,TP,3216	1		SA
FEC330	2203-000726	C-CER,CHIP;3.9nF,10%,50V,X7R,1608	1		SA	FER14	2007-000171	R-CHIP;0ohm,5%,1/16W,TP,1005	1		SA
FEC332	2203-001124	C-CER,CHIP;0.68nF,10%,50V,X7R,TP,10	1		SA	FER140	2007-000341	R-CHIP;120Kohm,5%,1/4W,TP,3216	1		SA
FEC4	2203-006361	C-CER,CHIP;1000nF,10%,10V,X5R,TP,2	1		SA	FER141	2007-000159	R-CHIP;56Kohm,5%,1/16W,TP,1005	1		SA
FEC5	2203-006036	C-CER,CHIP;680NF,+80-20%,16V,Y5V,TP	1		SA	FER142	2007-007316	R-CHIP;3.3Kohm,1%,1/16W,TP,1005	1		SA
FEC51	2203-006361	C-CER,CHIP;1000nF,10%,10V,X5R,TP,2	1		SA	FER143	2007-000341	R-CHIP;120Kohm,5%,1/4W,TP,3216	1		SA
FEC57	2203-006158	C-CER,CHIP;100nF,10%,16V,X7R,1005	1		SA	FER144	2007-000341	R-CHIP;120Kohm,5%,1/4W,TP,3216	1		SA
FEC6	2203-006048	C-CER,CHIP;100nF,10%,10V,X7R,1005	1		SA	FER15	2007-000171	R-CHIP;0ohm,5%,1/16W,TP,1005	1		SA
FEC7	2203-006048	C-CER,CHIP;100nF,10%,10V,X7R,1005	1		SA	FER16	2007-000171	R-CHIP;0ohm,5%,1/16W,TP,1005	1		SA
FEC77	2203-006361	C-CER,CHIP;1000nF,10%,10V,X5R,TP,2	1		SA	FER17	2007-000171	R-CHIP;0ohm,5%,1/16W,TP,1005	1		SA
FEC79	2203-006361	C-CER,CHIP;1000nF,10%,10V,X5R,TP,2	1		SA	FER18	2007-000157	R-CHIP;47Kohm,5%,1/16W,TP,1005	1		SA
FEC82	2203-006048	C-CER,CHIP;100nF,10%,10V,X7R,1005	1		SA	FER19	2007-000157	R-CHIP;47Kohm,5%,1/16W,TP,1005	1		SA
FEC83	2203-006048	C-CER,CHIP;100nF,10%,10V,X7R,1005	1		SA	FER2	2007-000141	R-CHIP;2.2Kohm,5%,1/16W,TP,1005	1		SA
FEC84	2203-006048	C-CER,CHIP;100nF,10%,10V,X7R,1005	1		SA	FER20	2007-000157	R-CHIP;47Kohm,5%,1/16W,TP,1005	1		SA
FEC85	2203-006048	C-CER,CHIP;100nF,10%,10V,X7R,1005	1		SA	FER200	3301-001689	BEAD-SMD;220ohm,2012,TP,80ohm/100MH	1		SA
FEC86	2203-006048	C-CER,CHIP;100nF,10%,10V,X7R,1005	1		SA	FER202	2007-000171	R-CHIP;0ohm,5%,1/16W,TP,1005	1		SA
FEC87	2203-006361	C-CER,CHIP;1000nF,10%,10V,X5R,TP,2	1		SA	FER203	2007-000171	R-CHIP;0ohm,5%,1/16W,TP,1005	1		SA
FEC88	2203-006361	C-CER,CHIP;1000nF,10%,10V,X5R,TP,2	1		SA	FER21	2007-007316	R-CHIP;3.3Kohm,1%,1/16W,TP,1005	1		SA
FEC89	2203-006048	C-CER,CHIP;100nF,10%,10V,X7R,1005	1		SA	FER22	2007-007316	R-CHIP;3.3Kohm,1%,1/16W,TP,1005	1		SA
FEC9	2203-006333	C-CER,CHIP;1000nF,20%,16V,X5R,TP,3	1		SA	FER29	2007-000143	R-CHIP;4.7Kohm,5%,1/16W,TP,1005	1		SA
FEC90	2203-001405	C-CER,CHIP;22nF,+80-20%,25V,Y5V,100	1		SA	FER3	2007-000242	R-CHIP;1.5Kohm,5%,1/16W,TP,1005	1		SA
FEC91	2203-001405	C-CER,CHIP;22nF,+80-20%,25V,Y5V,100	1		SA	FER32	2007-000171	R-CHIP;0ohm,5%,1/16W,TP,1005	1		SA
FEC92	2203-000491	C-CER,CHIP;2.2nF,10%,50V,X7R,1608	1		SA	FER33	2007-000171	R-CHIP;0ohm,5%,1/16W,TP,1005	1		SA
FEC93	2203-006361	C-CER,CHIP;1000nF,10%,10V,X5R,TP,2	1		SA	FER4	2007-000171	R-CHIP;0ohm,5%,1/16W,TP,1005	1		SA
FEC94	2203-006048	C-CER,CHIP;100nF,10%,10V,X7R,1005	1		SA	FER44	2007-000171	R-CHIP;0ohm,5%,1/16W,TP,1005	1		SA
FEC95	2203-006048	C-CER,CHIP;100nF,10%,10V,X7R,1005	1		SA	FER45	2007-000148	R-CHIP;10Kohm,5%,1/16W,TP,1005	1		SA
FEC96	2203-006048	C-CER,CHIP;100nF,10%,10V,X7R,1005	1		SA	FER49	2007-000171	R-CHIP;0ohm,5%,1/16W,TP,1005	1		SA
FEC97	2203-006048	C-CER,CHIP;100nF,10%,10V,X7R,1005	1		SA	FER5	2007-000171	R-CHIP;0ohm,5%,1/16W,TP,1005	1		SA
FEC98	2203-006048	C-CER,CHIP;100nF,10%,10V,X7R,1005	1		SA	FER50	2007-000171	R-CHIP;0ohm,5%,1/16W,TP,1005	1		SA
FEC99	2203-006048	C-CER,CHIP;100nF,10%,10V,X7R,1005	1		SA	FER51	2007-000171	R-CHIP;0ohm,5%,1/16W,TP,1005	1		SA
FEIC13	1105-002003	IC-DRAM;W9864G6IH-6,64Mbit,4Mx16bit	1		SA	FER52	2007-000171	R-CHIP;0ohm,5%,1/16W,TP,1005	1		SA
FEQ1	0504-000126	TR-DIGITAL;KSR1101,NPN,200mW,4.7KJ4	1		SA	FER53	2007-000171	R-CHIP;0ohm,5%,1/16W,TP,1005	1		SA
FEQ2	0501-000546	TR-SMALL SIGNAL;KSA1298,PNP,200mW,S	1		SA	FER54	2007-000171	R-CHIP;0ohm,5%,1/16W,TP,1005	1		SA
FER1	2007-001325	R-CHIP;3.3Kohm,5%,1/16W,TP,1005	1		SA	FER55	2007-000171	R-CHIP;0ohm,5%,1/16W,TP,1005	1		SA
FER10	2007-000171	R-CHIP;0ohm,5%,1/16W,TP,1005	1		SA	FER56	2007-000171	R-CHIP;0ohm,5%,1/16W,TP,1005	1		SA
FER100	2007-000143	R-CHIP;4.7Kohm,5%,1/16W,TP,1005	1		SA	FER57	2007-008275	R-CHIP;30Kohm,1%,1/16W,TP,1005	1		SA
FER101	2007-000074	R-CHIP;100ohm,5%,1/10W,TP,1608	1		SA	FER6	2007-000171	R-CHIP;0ohm,5%,1/16W,TP,1005	1		SA
FER106	2007-000148	R-CHIP;10Kohm,5%,1/16W,TP,1005	1		SA	FER67	2007-000162	R-CHIP;100Kohm,5%,1/16W,TP,1005	1		SA
FER107	2007-000140	R-CHIP;1Kohm,5%,1/16W,TP,1005	1		SA	FER68	2007-000148	R-CHIP;10Kohm,5%,1/16W,TP,1005	1		SA
FER108	2007-000173	R-CHIP;22ohm,5%,1/16W,TP,1005	1		SA	FER69	2007-007135	R-CHIP;18Kohm,1%,1/16W,TP,1005	1		SA

Exploded View & Part List

Loc. No.	Part No.	Description;Specification	Q'ty	SNA	Remark	Loc. No.	Part No.	Description;Specification	Q'ty	SNA	Remark
FER7	2007-000171	R-CHIP;0ohm,5%,1/16W,TP,1005	1		SA	GR43	2007-000148	R-CHIP;10Kohm,5%,1/16W,TP,1005	1		SA
FER70	2007-007135	R-CHIP;18Kohm,1%,1/16W,TP,1005	1		SA	GR44	2007-000173	R-CHIP;22ohm,5%,1/16W,TP,1005	1		SA
FER73	2007-008275	R-CHIP;30Kohm,1%,1/16W,TP,1005	1		SA	GR45	2007-000173	R-CHIP;22ohm,5%,1/16W,TP,1005	1		SA
FER74	2007-007135	R-CHIP;18Kohm,1%,1/16W,TP,1005	1		SA	GR48	2007-000148	R-CHIP;10Kohm,5%,1/16W,TP,1005	1		SA
FER75	2007-007135	R-CHIP;18Kohm,1%,1/16W,TP,1005	1		SA	GR49	2007-000148	R-CHIP;10Kohm,5%,1/16W,TP,1005	1		SA
FER76	2007-000171	R-CHIP;0ohm,5%,1/16W,TP,1005	1		SA	GR5	2007-000173	R-CHIP;22ohm,5%,1/16W,TP,1005	1		SA
FER77	2007-000171	R-CHIP;0ohm,5%,1/16W,TP,1005	1		SA	GR52	2007-000148	R-CHIP;10Kohm,5%,1/16W,TP,1005	1		SA
FER78	2007-000171	R-CHIP;0ohm,5%,1/16W,TP,1005	1		SA	GR53	2007-000148	R-CHIP;10Kohm,5%,1/16W,TP,1005	1		SA
FER8	2007-000171	R-CHIP;0ohm,5%,1/16W,TP,1005	1		SA	GR54	2007-000148	R-CHIP;10Kohm,5%,1/16W,TP,1005	1		SA
FER87	2007-007313	R-CHIP;6.8Kohm,1%,1/16W,TP,1005	1		SA	GR55	2007-000148	R-CHIP;10Kohm,5%,1/16W,TP,1005	1		SA
FER9	2007-000171	R-CHIP;0ohm,5%,1/16W,TP,1005	1		SA	GR57	2703-000402	INDUCTOR-SMD;1uH,20%,3225	1		SA
FER91	2007-000148	R-CHIP;10Kohm,5%,1/16W,TP,1005	1		SA	GR6	2007-000171	R-CHIP;0ohm,5%,1/16W,TP,1005	1		SA
FER92	2007-000148	R-CHIP;10Kohm,5%,1/16W,TP,1005	1		SA	GR60	2007-000138	R-CHIP;100ohm,5%,1/16W,TP,1005	1		SA
FER93	2007-008297	R-CHIP;33.2Kohm,1%,1/16W,TP,1005	1		SA	GR61	2007-000159	R-CHIP;56Kohm,5%,1/16W,TP,1005	1		SA
FER94	2007-000140	R-CHIP;1Kohm,5%,1/16W,TP,1005	1		SA	GR62	2007-000159	R-CHIP;56Kohm,5%,1/16W,TP,1005	1		SA
FER948	2007-000171	R-CHIP;0ohm,5%,1/16W,TP,1005	1		SA	GR63	2007-000775	R-CHIP;33Kohm,5%,1/16W,TP,1005	1		SA
FER949	2007-000138	R-CHIP;100ohm,5%,1/16W,TP,1005	1		SA	GR64	2007-000775	R-CHIP;33Kohm,5%,1/16W,TP,1005	1		SA
FER95	2007-000140	R-CHIP;1Kohm,5%,1/16W,TP,1005	1		SA	GR68	2007-000148	R-CHIP;10Kohm,5%,1/16W,TP,1005	1		SA
FER955	2007-000171	R-CHIP;0ohm,5%,1/16W,TP,1005	1		SA	GR7	2007-000171	R-CHIP;0ohm,5%,1/16W,TP,1005	1		SA
FER961	2007-001305	R-CHIP;120ohm,5%,1/16W,TP,1005	1		SA	GR8	2007-000171	R-CHIP;0ohm,5%,1/16W,TP,1005	1		SA
FER98	2007-000148	R-CHIP;10Kohm,5%,1/16W,TP,1005	1		SA	HBD1	3301-001495	BEAD-SMD;120ohm,2012,2500mA,TP,115o	1		SA
FER99	2007-001014	R-CHIP;51ohm,5%,1/10W,TP,1608	1		SA	HC1	2203-005148	C-CER,CHIP;100nF,10%,16V,X7R,TP,160	1		SA
FEU1	0903-001580	IC-MICROCONTROLLER;BCM7620,LQFP,216	1		SA	HC10	2203-006048	C-CER,CHIP;100nF,10%,10V,X7R,1005	1		SA
FEU2	1003-002202	IC-MOTOR DRIVER;R2A30213SP,SOP,44P,	1		SA	HC13	2203-006048	C-CER,CHIP;100nF,10%,10V,X7R,1005	1		SA
FEU3	1003-002203	IC-MOTOR DRIVER;AM2158AT,SOP,14P,8.	1		SA	HC14	2203-006048	C-CER,CHIP;100nF,10%,10V,X7R,1005	1		SA
FEU4	1203-002253	IC-POSIFIXED REG.;KIA7808AF,DPAK,3	1		SA	HC15	2203-006048	C-CER,CHIP;100nF,10%,10V,X7R,1005	1		SA
FEU5	1107-001763	IC-NOR FLASH;AT26DF081A-SU,8Mbit,1M	1		SA	HC2	2203-006048	C-CER,CHIP;100nF,10%,10V,X7R,1005	1		SA
FEU6	1203-001255	IC-POSIFIXED REG.;7805,D-PAK,3P,PL	1		SA	HC3	2203-006048	C-CER,CHIP;100nF,10%,10V,X7R,1005	1		SA
FEY1	2801-004655	CRYSTAL-SMD;25MHz,50ppm,SX-3,18pF,2	1		SA	HC4	2203-005148	C-CER,CHIP;100nF,10%,16V,X7R,TP,160	1		SA
GR1	2007-000171	R-CHIP;0ohm,5%,1/16W,TP,1005	1		SA	HC5	2203-006048	C-CER,CHIP;100nF,10%,10V,X7R,1005	1		SA
GR11	2007-000171	R-CHIP;0ohm,5%,1/16W,TP,1005	1		SA	HC7	2203-006048	C-CER,CHIP;100nF,10%,10V,X7R,1005	1		SA
GR12	2007-000171	R-CHIP;0ohm,5%,1/16W,TP,1005	1		SA	HC8	2203-006048	C-CER,CHIP;100nF,10%,10V,X7R,1005	1		SA
GR123	2007-000148	R-CHIP;10Kohm,5%,1/16W,TP,1005	1		SA	HC9	2203-006048	C-CER,CHIP;100nF,10%,10V,X7R,1005	1		SA
GR124	2007-000148	R-CHIP;10Kohm,5%,1/16W,TP,1005	1		SA	HCN1	3701-001313	CONNECTOR-HDMI;19P,2R,PLUG,ANGLE,AU	1		SA
GR16	2007-000173	R-CHIP;22ohm,5%,1/16W,TP,1005	1		SA	HD1	1405-001192	VARIATOR;12Vdc,30A,1.6x0.8x0.55mm,T	1		SA
GR17	2007-000171	R-CHIP;0ohm,5%,1/16W,TP,1005	1		SA	HD10	1405-001192	VARIATOR;12Vdc,30A,1.6x0.8x0.55mm,T	1		SA
GR18	2007-000171	R-CHIP;0ohm,5%,1/16W,TP,1005	1		SA	HD100	0404-001089	DIODE-SCHOTTKY;RB551V-30,20V,500MA,	1		SA
GR2	2007-000171	R-CHIP;0ohm,5%,1/16W,TP,1005	1		SA	HD2	1405-001192	VARIATOR;12Vdc,30A,1.6x0.8x0.55mm,T	1		SA
GR20	2007-000171	R-CHIP;0ohm,5%,1/16W,TP,1005	1		SA	HD3	1405-001192	VARIATOR;12Vdc,30A,1.6x0.8x0.55mm,T	1		SA
GR22	2007-000143	R-CHIP;4.7Kohm,5%,1/16W,TP,1005	1		SA	HD4	1405-001192	VARIATOR;12Vdc,30A,1.6x0.8x0.55mm,T	1		SA
GR23	2007-000143	R-CHIP;4.7Kohm,5%,1/16W,TP,1005	1		SA	HD5	1405-001192	VARIATOR;12Vdc,30A,1.6x0.8x0.55mm,T	1		SA
GR24	2007-000138	R-CHIP;100ohm,5%,1/16W,TP,1005	1		SA	HD6	1405-001192	VARIATOR;12Vdc,30A,1.6x0.8x0.55mm,T	1		SA
GR25	2007-000138	R-CHIP;100ohm,5%,1/16W,TP,1005	1		SA	HD7	1405-001192	VARIATOR;12Vdc,30A,1.6x0.8x0.55mm,T	1		SA
GR26	2007-000148	R-CHIP;10Kohm,5%,1/16W,TP,1005	1		SA	HD8	1405-001192	VARIATOR;12Vdc,30A,1.6x0.8x0.55mm,T	1		SA
GR27	2007-000148	R-CHIP;10Kohm,5%,1/16W,TP,1005	1		SA	HD9	1405-001192	VARIATOR;12Vdc,30A,1.6x0.8x0.55mm,T	1		SA
GR28	2007-000148	R-CHIP;10Kohm,5%,1/16W,TP,1005	1		SA	HE1	2203-006361	C-CER,CHIP;1000nF,10%,10V,X5R,TP,2	1		SA
GR29	2007-000148	R-CHIP;10Kohm,5%,1/16W,TP,1005	1		SA	HE2	2203-006361	C-CER,CHIP;1000nF,10%,10V,X5R,TP,2	1		SA
GR3	2007-000171	R-CHIP;0ohm,5%,1/16W,TP,1005	1		SA	HE3	2203-006361	C-CER,CHIP;1000nF,10%,10V,X5R,TP,2	1		SA
GR30	2007-000148	R-CHIP;10Kohm,5%,1/16W,TP,1005	1		SA	HE6	2203-006361	C-CER,CHIP;1000nF,10%,10V,X5R,TP,2	1		SA
GR31	2007-000148	R-CHIP;10Kohm,5%,1/16W,TP,1005	1		SA	HEAT SINK	AH62-00210A	HEAT SINK-MAIN PCB;HT-BD7200,AL EXT	1		SA
GR32	2007-000148	R-CHIP;10Kohm,5%,1/16W,TP,1005	1		SA	HPQ1	0504-000156	TR-DIGITAL;KSR2103,PNP,200MW,22K/22	1		SA
GR33	2007-000148	R-CHIP;10Kohm,5%,1/16W,TP,1005	1		SA	HPQ2	0504-000128	TR-DIGITAL;-NPN,200MW,22K/22K,SOT-	1		SA
GR34	2007-000148	R-CHIP;10Kohm,5%,1/16W,TP,1005	1		SA	HPQ3	0501-002184	TR-SMALL SIGNAL;KTD1304,NPN,200mW,S	1		SA
GR35	2007-000242	R-CHIP;1.5Kohm,5%,1/16W,TP,1005	1		SA	HPQ6	0501-002184	TR-SMALL SIGNAL;KTD1304,NPN,200mW,S	1		SA
GR36	2007-000242	R-CHIP;1.5Kohm,5%,1/16W,TP,1005	1		SA	HPR2	2007-000141	R-CHIP;2.2Kohm,5%,1/16W,TP,1005	1		SA
GR39	2007-000171	R-CHIP;0ohm,5%,1/16W,TP,1005	1		SA	HPR3	2007-001292	R-CHIP;33ohm,5%,1/16W,TP,1005	1		SA
GR4	2007-000171	R-CHIP;0ohm,5%,1/16W,TP,1005	1		SA	HPR4	2007-001292	R-CHIP;33ohm,5%,1/16W,TP,1005	1		SA
GR40	2007-000171	R-CHIP;0ohm,5%,1/16W,TP,1005	1		SA	HPR6	2007-000141	R-CHIP;2.2Kohm,5%,1/16W,TP,1005	1		SA
						HQ5	0505-001679	FET-SILICON;FDC6301N,N,25V,0.22A,50	1		SA

Loc. No.	Part No.	Description;Specification	Q'ty	SNA	Remark	Loc. No.	Part No.	Description;Specification	Q'ty	SNA	Remark
HR1	2007-000171	R-CHIP;0ohm,5%,1/16W,TP,1005	1	SA		MC27	2203-006158	C-CER,CHIP;100nF,10%,16V,X7R,1005	1	SA	
HR10	2007-000152	R-CHIP;20Kohm,5%,1/16W,TP,1005	1	SA		MC28	2203-006361	C-CER,CHIP;10000nF,10%,10V,X5R,TP,2	1	SA	
HR12	2007-000171	R-CHIP;0ohm,5%,1/16W,TP,1005	1	SA		MC29	2203-006158	C-CER,CHIP;100nF,10%,16V,X7R,1005	1	SA	
HR14	2007-000171	R-CHIP;0ohm,5%,1/16W,TP,1005	1	SA		MC31	2203-006158	C-CER,CHIP;100nF,10%,16V,X7R,1005	1	SA	
HR16	2007-000171	R-CHIP;0ohm,5%,1/16W,TP,1005	1	SA		MC33	2203-006158	C-CER,CHIP;100nF,10%,16V,X7R,1005	1	SA	
HR18	2007-000171	R-CHIP;0ohm,5%,1/16W,TP,1005	1	SA		MC34	2203-006158	C-CER,CHIP;100nF,10%,16V,X7R,1005	1	SA	
HR19	2007-000171	R-CHIP;0ohm,5%,1/16W,TP,1005	1	SA		MC40	2203-006158	C-CER,CHIP;100nF,10%,16V,X7R,1005	1	SA	
HR2	2007-000138	R-CHIP;100ohm,5%,1/16W,TP,1005	1	SA		MC41	2203-006158	C-CER,CHIP;100nF,10%,16V,X7R,1005	1	SA	
HR25	2007-000143	R-CHIP;4.7Kohm,5%,1/16W,TP,1005	1	SA		MC42	2203-006158	C-CER,CHIP;100nF,10%,16V,X7R,1005	1	SA	
HR26	2007-000143	R-CHIP;4.7Kohm,5%,1/16W,TP,1005	1	SA		MC43	2203-006158	C-CER,CHIP;100nF,10%,16V,X7R,1005	1	SA	
HR3	2007-000148	R-CHIP;10Kohm,5%,1/16W,TP,1005	1	SA		MC44	2203-006361	C-CER,CHIP;10000nF,10%,10V,X5R,TP,2	1	SA	
HR33	2007-000171	R-CHIP;0ohm,5%,1/16W,TP,1005	1	SA		MC45	2203-006158	C-CER,CHIP;100nF,10%,16V,X7R,1005	1	SA	
HR35	2007-000171	R-CHIP;0ohm,5%,1/16W,TP,1005	1	SA		MC48	2203-006361	C-CER,CHIP;10000nF,10%,10V,X5R,TP,2	1	SA	
HR36	2007-000171	R-CHIP;0ohm,5%,1/16W,TP,1005	1	SA		MC53	2203-006158	C-CER,CHIP;100nF,10%,16V,X7R,1005	1	SA	
HR4	2007-008107	R-CHIP;698ohm,1%,1/10W,TP,1608	1	SA		MC55	2203-006361	C-CER,CHIP;10000nF,10%,10V,X5R,TP,2	1	SA	
HR5	2007-000138	R-CHIP;100ohm,5%,1/16W,TP,1005	1	SA		MC57	2203-006361	C-CER,CHIP;10000nF,10%,10V,X5R,TP,2	1	SA	
HR6	2007-000171	R-CHIP;0ohm,5%,1/16W,TP,1005	1	SA		MC6	2203-006158	C-CER,CHIP;100nF,10%,16V,X7R,1005	1	SA	
HR8	2007-000171	R-CHIP;0ohm,5%,1/16W,TP,1005	1	SA		MC61	2203-006158	C-CER,CHIP;100nF,10%,16V,X7R,1005	1	SA	
HR9	2007-000171	R-CHIP;0ohm,5%,1/16W,TP,1005	1	SA		MC63	2203-006158	C-CER,CHIP;100nF,10%,16V,X7R,1005	1	SA	
HTR41	2007-000171	R-CHIP;0ohm,5%,1/16W,TP,1005	1	SA		MC64	2203-006361	C-CER,CHIP;10000nF,10%,10V,X5R,TP,2	1	SA	
HTR42	2007-000171	R-CHIP;0ohm,5%,1/16W,TP,1005	1	SA		MC65	2203-006361	C-CER,CHIP;10000nF,10%,10V,X5R,TP,2	1	SA	
HTR43	2007-000171	R-CHIP;0ohm,5%,1/16W,TP,1005	1	SA		MC66	2203-006158	C-CER,CHIP;100nF,10%,16V,X7R,1005	1	SA	
IC15	1103-001385	IC-EEPROM;AT24C256,256Kbit,32Kx8,SO	1	SA		MC67	2203-006158	C-CER,CHIP;100nF,10%,16V,X7R,1005	1	SA	
IC18	1205-003113	IC-TRANSMITTER;SI19134CTU,TQFP,100P	1	SA		MC68	2203-006158	C-CER,CHIP;100nF,10%,16V,X7R,1005	1	SA	
IC24	1001-001298	IC-ANALOG SWITCH;L10X,10P,2.1x1.6,1	1	SA		MC69	2203-006158	C-CER,CHIP;100nF,10%,16V,X7R,1005	1	SA	
IPC1	2203-006361	C-CER,CHIP;10000nF,10%,10V,X5R,TP,2	1	SA		MC7	2203-006158	C-CER,CHIP;100nF,10%,16V,X7R,1005	1	SA	
IPC2	2203-006361	C-CER,CHIP;10000nF,10%,10V,X5R,TP,2	1	SA		MC70	2203-006158	C-CER,CHIP;100nF,10%,16V,X7R,1005	1	SA	
IPC3	2203-000783	C-CER,CHIP;0.33nF,5%,50V,COG,1608	1	SA		MC71	2203-006158	C-CER,CHIP;100nF,10%,16V,X7R,1005	1	SA	
IPC4	2203-000783	C-CER,CHIP;0.33nF,5%,50V,COG,1608	1	SA		MC72	2203-006158	C-CER,CHIP;100nF,10%,16V,X7R,1005	1	SA	
IPC5	2203-006158	C-CER,CHIP;100nF,10%,16V,X7R,1005	1	SA		MC73	2203-006158	C-CER,CHIP;100nF,10%,16V,X7R,1005	1	SA	
IPC6	2203-006361	C-CER,CHIP;10000nF,10%,10V,X5R,TP,2	1	SA		MC8	2203-006158	C-CER,CHIP;100nF,10%,16V,X7R,1005	1	SA	
IPC8	2402-001042	C-AL,SMD;100uF,20%,16V,GP,TP,6.6x6.	1	SA		MC9	2203-006158	C-CER,CHIP;100nF,10%,16V,X7R,1005	1	SA	
IPCN1	3710-002628	SOCKET-INTERFACE;18P,1R,0.5mm,SMD-A	1	SA		MEM1	1105-001931	IC-DDR2 SDRAM;K4T51163Q,DDR2-800,51	1	SA	
IPIC1	1006-001438	IC-BUS DRIVER;R51H30201NA04NQ08,QFN,	1	SA		MEM2	1105-001931	IC-DDR2 SDRAM;K4T51163Q,DDR2-800,51	1	SA	
IPL1	3301-001495	BEAD-SMD;120ohm,2012,2500mA,TP,115o	1	SA		MEM3	1105-001942	IC-DDR2 SDRAM;K4T1G164Q,DDR2,1Gbit,	1	SA	
IPL8	2901-001302	FILTER-EMI SMD;20V,0.3A,OpF,2.0x1.2	1	SA		MEM4	1105-001942	IC-DDR2 SDRAM;K4T1G164Q,DDR2,1Gbit,	1	SA	
L2	3301-000317	BEAD-SMD;120ohm,2012,TP,-,-	1	SA		MR10	2007-000043	R-CHIP;1Kohm,1%,1/10W,TP,1608	1	SA	
L2632	3301-000314	BEAD-SMD;120ohm,1.6x0.8x0.8mm,-,-,-	1	SA		MR4	2007-000779	R-CHIP;33ohm,1%,1/10W,TP,1608	1	SA	
L2827	3301-001655	BEAD-SMD;33ohm,3216,3000mA,TP,16ohm	1	SA		MR5	2007-000779	R-CHIP;33ohm,1%,1/10W,TP,1608	1	SA	
L2828	3301-001202	BEAD-SMD;120ohm,4532,TP,167ohm/260M	1	SA		MR7	2007-007008	R-CHIP;300ohm,5%,1/16W,TP,1005	1	SA	
L2829	3301-001655	BEAD-SMD;33ohm,3216,3000mA,TP,16ohm	1	SA		MR9	2007-000043	R-CHIP;1Kohm,1%,1/10W,TP,1608	1	SA	
L3	3301-000317	BEAD-SMD;120ohm,2012,TP,-,-	1	SA		MUC1	2203-006158	C-CER,CHIP;100nF,10%,16V,X7R,1005	1	SA	
L3330	3301-000314	BEAD-SMD;120ohm,1.6x0.8x0.8mm,-,-,-	1	SA		MUC11	2203-006361	C-CER,CHIP;10000nF,10%,10V,X5R,TP,2	1	SA	
L7	2703-000301	INDUCTOR-SMD;2.7uH,10%,1608	1	SA		MUC14	2203-006361	C-CER,CHIP;10000nF,10%,10V,X5R,TP,2	1	SA	
L8	2703-000158	INDUCTOR-SMD;1uH,10%,2012	1	SA		MUC15	2203-006158	C-CER,CHIP;100nF,10%,16V,X7R,1005	1	SA	
LQ11	0504-000128	TR-DIGITAL;-NPN,200MW,22K/22K,SOT-	1	SA		MUC16	2203-006158	C-CER,CHIP;100nF,10%,16V,X7R,1005	1	SA	
MC10	2203-006158	C-CER,CHIP;100nF,10%,16V,X7R,1005	1	SA		MUC17	2203-006158	C-CER,CHIP;100nF,10%,16V,X7R,1005	1	SA	
MC11	2203-006158	C-CER,CHIP;100nF,10%,16V,X7R,1005	1	SA		MUC2	2203-006158	C-CER,CHIP;100nF,10%,16V,X7R,1005	1	SA	
MC12	2203-006158	C-CER,CHIP;100nF,10%,16V,X7R,1005	1	SA		MUC40A	2203-006158	C-CER,CHIP;100nF,10%,16V,X7R,1005	1	SA	
MC13	2203-006158	C-CER,CHIP;100nF,10%,16V,X7R,1005	1	SA		MUC55A	2203-006158	C-CER,CHIP;100nF,10%,16V,X7R,1005	1	SA	
MC14	2203-006158	C-CER,CHIP;100nF,10%,16V,X7R,1005	1	SA		MUC6	2203-006361	C-CER,CHIP;10000nF,10%,10V,X5R,TP,2	1	SA	
MC15	2203-006158	C-CER,CHIP;100nF,10%,16V,X7R,1005	1	SA		MUC7	2203-006158	C-CER,CHIP;100nF,10%,16V,X7R,1005	1	SA	
MC16	2203-006158	C-CER,CHIP;100nF,10%,16V,X7R,1005	1	SA		MUCN2	3708-001050	CONNECTOR-FPC/FPC/PIC;6P,1.25mm,ANG	1	SA	
MC17	2203-006361	C-CER,CHIP;10000nF,10%,10V,X5R,TP,2	1	SA		MUD10	0404-000002	DIODE-SCHOTTKY;CMPSH-3,30V,200mA,SO	1	SA	
MC18	2203-006158	C-CER,CHIP;100nF,10%,16V,X7R,1005	1	SA		MUD25	0404-000002	DIODE-SCHOTTKY;CMPSH-3,30V,200mA,SO	1	SA	
MC2	2203-006158	C-CER,CHIP;100nF,10%,16V,X7R,1005	1	SA		MUD28	0404-000002	DIODE-SCHOTTKY;CMPSH-3,30V,200mA,SO	1	SA	
MC25	2203-006158	C-CER,CHIP;100nF,10%,16V,X7R,1005	1	SA		MUD29	0404-000002	DIODE-SCHOTTKY;CMPSH-3,30V,200mA,SO	1	SA	
MC26	2203-006361	C-CER,CHIP;10000nF,10%,10V,X5R,TP,2	1	SA		MUD30	0404-000002	DIODE-SCHOTTKY;CMPSH-3,30V,200mA,SO	1	SA	

Exploded View & Part List

Loc. No.	Part No.	Description;Specification	Q'ty	SNA	Remark	Loc. No.	Part No.	Description;Specification	Q'ty	SNA	Remark
MUD5	0404-000002	DIODE-SCHOTTKY;CMPSH-3,30V,200mA,SO	1		SA						
MUD6	0404-000002	DIODE-SCHOTTKY;CMPSH-3,30V,200mA,SO	1		SA	PC15	2203-006361	C-CER,CHIP;10000nF,10%,10V,X5R,TP,2	1		SA
MUD9	0404-000002	DIODE-SCHOTTKY;CMPSH-3,30V,200mA,SO	1		SA	PC17	2203-006158	C-CER,CHIP;100nF,10%,16V,X7R,1005	1		SA
MUIC1	0903-001565	IC-MICROCONTROLLER;LC87F5NC8AVU,QFP	1		SA	PC18	2203-006333	C-CER,CHIP;10000nF,20%,16V,X5R,TP,3	1		SA
						PC19	2203-006333	C-CER,CHIP;10000nF,20%,16V,X5R,TP,3	1		SA
MUIC2	1103-001333	IC-EEPROM;24C08A,8Kbit,1Kx8,SOP,8P,	1		SA	PC197	2203-006361	C-CER,CHIP;10000nF,10%,10V,X5R,TP,2	1		SA
MUIC3	1203-001212	IC-VOL. DETECTOR;7029,SOT-89,3P,-P	1		SA						
MUR1	2007-000143	R-CHIP;4.7Kohm,5%,1/16W,TP,1005	1		SA	PC198	2203-006158	C-CER,CHIP;100nF,10%,16V,X7R,1005	1		SA
MUR12	2007-000170	R-CHIP;1Mohm,5%,1/16W,TP,1005	1		SA	PC2	2203-006361	C-CER,CHIP;10000nF,10%,10V,X5R,TP,2	1		SA
MUR13	2007-000070	R-CHIP;0ohm,5%,1/10W,TP,1608	1		SA	PC21	2203-006158	C-CER,CHIP;100nF,10%,16V,X7R,1005	1		SA
						PC22	2402-001160	C-AL,SMD;330UF,20%,16V,WT,TP,1008	1		SA
MUR15A	2007-000148	R-CHIP;10Kohm,5%,1/16W,TP,1005	1		SA	PC2346	2404-001474	C-TA,CHIP;47uF,20%,10V,TP,2.2X1.25X	1		SA
MUR16	2007-000162	R-CHIP;100Kohm,5%,1/16W,TP,1005	1		SA						
MUR18A	2007-000157	R-CHIP;47Kohm,5%,1/16W,TP,1005	1		SA	PC24	2203-006361	C-CER,CHIP;10000nF,10%,10V,X5R,TP,2	1		SA
MUR19	2007-000138	R-CHIP;100ohm,5%,1/16W,TP,1005	1		SA	PC25	2203-006336	C-CER,CHIP;10000nF,10%,25V,X5R,3216	1		SA
MUR19A	2007-000148	R-CHIP;10Kohm,5%,1/16W,TP,1005	1		SA	PC29	2203-006361	C-CER,CHIP;10000nF,10%,10V,X5R,TP,2	1		SA
						PC3	2203-006361	C-CER,CHIP;10000nF,10%,10V,X5R,TP,2	1		SA
MUR1B	2007-000168	R-CHIP;470Kohm,5%,1/16W,TP,1005	1		SA	PC301	2203-006361	C-CER,CHIP;10000nF,10%,10V,X5R,TP,2	1		SA
MUR2	2007-000143	R-CHIP;4.7Kohm,5%,1/16W,TP,1005	1		SA						
MUR20	2007-000162	R-CHIP;100Kohm,5%,1/16W,TP,1005	1		SA	PC31	2203-006158	C-CER,CHIP;100nF,10%,16V,X7R,1005	1		SA
MUR29A	2007-000148	R-CHIP;10Kohm,5%,1/16W,TP,1005	1		SA	PC32	2203-006361	C-CER,CHIP;10000nF,10%,10V,X5R,TP,2	1		SA
MUR3	2007-000157	R-CHIP;47Kohm,5%,1/16W,TP,1005	1		SA	PC33	2203-006361	C-CER,CHIP;10000nF,10%,10V,X5R,TP,2	1		SA
						PC34	2203-006361	C-CER,CHIP;10000nF,10%,10V,X5R,TP,2	1		SA
MUR310	2007-000070	R-CHIP;0ohm,5%,1/10W,TP,1608	1		SA	PC35	2203-006361	C-CER,CHIP;10000nF,10%,10V,X5R,TP,2	1		SA
MUR31A	2007-001306	R-CHIP;150ohm,5%,1/16W,TP,1005	1		SA						
MUR37	2007-000138	R-CHIP;100ohm,5%,1/16W,TP,1005	1		SA	PC36	2203-006361	C-CER,CHIP;10000nF,10%,10V,X5R,TP,2	1		SA
MUR38	2007-000138	R-CHIP;100ohm,5%,1/16W,TP,1005	1		SA	PC37	2203-006361	C-CER,CHIP;10000nF,10%,10V,X5R,TP,2	1		SA
MUR4	2007-000094	R-CHIP;22Kohm,5%,1/10W,TP,1608	1		SA	PC38	2203-006361	C-CER,CHIP;10000nF,10%,10V,X5R,TP,2	1		SA
						PC39	2203-006158	C-CER,CHIP;100nF,10%,16V,X7R,1005	1		SA
MUR49	2007-000138	R-CHIP;100ohm,5%,1/16W,TP,1005	1		SA	PC40	2203-006158	C-CER,CHIP;100nF,10%,16V,X7R,1005	1		SA
MUR5	2007-000162	R-CHIP;100Kohm,5%,1/16W,TP,1005	1		SA						
MUR50	2007-000070	R-CHIP;0ohm,5%,1/10W,TP,1608	1		SA	PC41	2203-005968	C-CER,CHIP;4.7nF,10%,50V,X7R,TP,100	1		SA
MUR54A	2007-000157	R-CHIP;47Kohm,5%,1/16W,TP,1005	1		SA	PC42	2203-005138	C-CER,CHIP;1.8nF,10%,50V,X7R,1005	1		SA
MUR6	2007-000138	R-CHIP;100ohm,5%,1/16W,TP,1005	1		SA	PC43	2203-006158	C-CER,CHIP;100nF,10%,16V,X7R,1005	1		SA
						PC45	2203-006361	C-CER,CHIP;10000nF,10%,10V,X5R,TP,2	1		SA
MUR67A	2007-000168	R-CHIP;470Kohm,5%,1/16W,TP,1005	1		SA	PC47	2203-006361	C-CER,CHIP;10000nF,10%,10V,X5R,TP,2	1		SA
MUR68A	2007-000157	R-CHIP;47Kohm,5%,1/16W,TP,1005	1		SA						
MUR7	2007-000138	R-CHIP;100ohm,5%,1/16W,TP,1005	1		SA	PC48	2203-006361	C-CER,CHIP;10000nF,10%,10V,X5R,TP,2	1		SA
MUR71	2007-000171	R-CHIP;0ohm,5%,1/16W,TP,1005	1		SA	PC49	2203-006361	C-CER,CHIP;10000nF,10%,10V,X5R,TP,2	1		SA
MUR9	2007-000138	R-CHIP;100ohm,5%,1/16W,TP,1005	1		SA	PC5	2203-000438	C-CER,CHIP;1nF,10%,50V,X7R,1005	1		SA
						PC50	2203-006361	C-CER,CHIP;10000nF,10%,10V,X5R,TP,2	1		SA
MURN1	2011-001344	R-NETWORK;100ohm,5%,1/16W,L,CHIP,8P	1		SNA	PC51	2203-006361	C-CER,CHIP;10000nF,10%,10V,X5R,TP,2	1		SA
MURN10	2011-001344	R-NETWORK;100ohm,5%,1/16W,L,CHIP,8P	1		SNA						
MURN11	2011-001344	R-NETWORK;100ohm,5%,1/16W,L,CHIP,8P	1		SNA	PC52	2203-006361	C-CER,CHIP;10000nF,10%,10V,X5R,TP,2	1		SA
MURN111	2011-001344	R-NETWORK;100ohm,5%,1/16W,L,CHIP,8P	1		SNA	PC55	2203-006361	C-CER,CHIP;10000nF,10%,10V,X5R,TP,2	1		SA
MURN12	2011-001344	R-NETWORK;100ohm,5%,1/16W,L,CHIP,8P	1		SNA	PC56	2203-006361	C-CER,CHIP;10000nF,10%,10V,X5R,TP,2	1		SA
						PC57	2203-005692	C-CER,CHIP;4700nF,+80-20%,16V,Y5V,T	1		SA
MURN13	2011-001344	R-NETWORK;100ohm,5%,1/16W,L,CHIP,8P	1		SNA	PC58	2203-005692	C-CER,CHIP;4700nF,+80-20%,16V,Y5V,T	1		SA
MURN14	2011-001344	R-NETWORK;100ohm,5%,1/16W,L,CHIP,8P	1		SNA						
MURN15	2011-001344	R-NETWORK;100ohm,5%,1/16W,L,CHIP,8P	1		SNA	PC6	2203-006361	C-CER,CHIP;10000nF,10%,10V,X5R,TP,2	1		SA
MURN16	2011-001344	R-NETWORK;100ohm,5%,1/16W,L,CHIP,8P	1		SNA	PC61	2203-005819	C-CER,CHIP;1000nF,+80-20%,16V,Y5V,T	1		SA
MURN2	2011-001344	R-NETWORK;100ohm,5%,1/16W,L,CHIP,8P	1		SNA	PC62	2203-006361	C-CER,CHIP;10000nF,10%,10V,X5R,TP,2	1		SA
						PC63	2203-006361	C-CER,CHIP;10000nF,10%,10V,X5R,TP,2	1		SA
MURN3	2011-001344	R-NETWORK;100ohm,5%,1/16W,L,CHIP,8P	1		SNA	PC65	2203-006361	C-CER,CHIP;10000nF,10%,10V,X5R,TP,2	1		SA
MURN30	2011-001344	R-NETWORK;100ohm,5%,1/16W,L,CHIP,8P	1		SNA						
MURN4	2011-001344	R-NETWORK;100ohm,5%,1/16W,L,CHIP,8P	1		SNA	PC69	2203-006818	C-CER,CHIP;47000nF,20%,6.3V,X5R,321	1		SA
MURN5	2011-001344	R-NETWORK;100ohm,5%,1/16W,L,CHIP,8P	1		SNA	PC7	2402-001160	C-AL,SMD;330UF,20%,16V,WT,TP,1008	1		SA
MURN6	2011-001344	R-NETWORK;100ohm,5%,1/16W,L,CHIP,8P	1		SNA	PC70	2203-006158	C-CER,CHIP;100nF,10%,16V,X7R,1005	1		SA
						PC71	2203-005819	C-CER,CHIP;1000nF,+80-20%,16V,Y5V,T	1		SA
MURN7	2011-001344	R-NETWORK;100ohm,5%,1/16W,L,CHIP,8P	1		SNA	PC75	2203-005249	C-CER,CHIP;100nF,10%,50V,X7R,TP,160	1		SA
MURN8	2011-001344	R-NETWORK;100ohm,5%,1/16W,L,CHIP,8P	1		SNA						
MURN9	2011-001344	R-NETWORK;100ohm,5%,1/16W,L,CHIP,8P	1		SNA	PC8	2404-001474	C-TA,CHIP;47uF,20%,10V,TP,2.2X1.25X	1		SA
MX11	2802-001174	RESONATOR-CERAMIC;10MHZ,0.5%,BK,8X3	1		SA	PC888	2203-006158	C-CER,CHIP;100nF,10%,16V,X7R,1005	1		SA
NAND1	1107-001805	IC-NAND FLASH;NAND512W3A-2CN6,512Mb	1		SA	PC9	2203-006361	C-CER,CHIP;10000nF,10%,10V,X5R,TP,2	1		SA
						PCB	AH41-01232A	PCB (FR 4) 6L(SNPB)-MAIN;HT-BD7200	1		SNA
NDR10	2007-000242	R-CHIP;1.5Kohm,5%,1/16W,TP,1005	1		SA	PCN1	3711-005582	HEADER-BOARD TO CABLE;BOX,24P,2R,2.	1		SA
PC1	2203-006361	C-CER,CHIP;10000nF,10%,10V,X5R,TP,2	1		SA						
PC10	2203-006361	C-CER,CHIP;10000nF,10%,10V,X5R,TP,2	1		SA	PD1	0402-000309	DIODE-RECTIFIER;1SR154-400,400V,1A,	1		SA
PC11	2402-001160	C-AL,SMD;330UF,20%,16V,WT,TP,1008	1		SA	PD3	0402-000309	DIODE-RECTIFIER;1SR154-400,400V,1A,	1		SA
PC13	2203-006818	C-CER,CHIP;47000nF,20%,6.3V,X5R,321	1		SA	PD80	0402-000309	DIODE-RECTIFIER;1SR154-400,400V,1A,	1		SA

Loc. No.	Part No.	Description;Specification	Q'ty	SNA	Remark	Loc. No.	Part No.	Description;Specification	Q'ty	SNA	Remark
PIC1	1203-002425	IC-POSIFIXED REG.;1117,SOT-223,3P,	1		SA	PR38	2007-002425	R-CHIP;1ohm,5%,1/10W,TP,1608	1		SA
PIC1	1203-002842	IC-POSIFIXED REG.;AP1117D-33A,TO-2	1		SA	PR39	2007-001292	R-CHIP;33ohm,5%,1/16W,TP,1005	1		SA
PIC15	0505-002491	FET-SILICON;AO4404BL,N,30V,8.5A,0.0	1		SA	PR4	2007-000148	R-CHIP;10Kohm,5%,1/16W,TP,1005	1		SA
PIC2	1203-005526	IC-DC/DC CONVERTER;AOZ1025DIL,DFN,1	1		SA	PR40	2007-001292	R-CHIP;33ohm,5%,1/16W,TP,1005	1		SA
PIC3	1203-005188	IC-DC/DC CONVERTER;AOZ1021AIL,SOP,8	1		SA	PR5	2007-000140	R-CHIP;1Kohm,5%,1/16W,TP,1005	1		SA
PIC4	1203-005188	IC-DC/DC CONVERTER;AOZ1021AIL,SOP,8	1		SA	PR6	2007-002425	R-CHIP;1ohm,5%,1/10W,TP,1608	1		SA
PIC5	1203-002935	IC-POSIAJUST REG.;AIC1117ACE,TO-2	1		SA	PR7	2007-002425	R-CHIP;1ohm,5%,1/10W,TP,1608	1		SA
PIC6	1203-002842	IC-POSIFIXED REG.;AP1117D-33A,TO-2	1		SA	PR8	2007-007310	R-CHIP;8.2Kohm,1%,1/16W,TP,1005	1		SA
PIC7	0505-001170	FET-SILICON;SI9933ADY-T1,P,-20V,3.4	1		SA	PR9	2007-007698	R-CHIP;5.1Kohm,1%,1/16W,TP,1005	1		SA
PL1	3301-001655	BEAD-SMD;33ohm,3216,3000mA,TP,16ohm	1		SA	PRR11	2007-000148	R-CHIP;10Kohm,5%,1/16W,TP,1005	1		SA
PL10	3301-001202	BEAD-SMD;120ohm,4532,TP,167ohm/260M	1		SA	R10	2007-000140	R-CHIP;1Kohm,5%,1/16W,TP,1005	1		SA
PL11	3301-001202	BEAD-SMD;120ohm,4532,TP,167ohm/260M	1		SA	R100	2007-000242	R-CHIP;1.5Kohm,5%,1/16W,TP,1005	1		SA
PL12	3301-001202	BEAD-SMD;120ohm,4532,TP,167ohm/260M	1		SA	R102	2007-000242	R-CHIP;1.5Kohm,5%,1/16W,TP,1005	1		SA
PL13	3301-001495	BEAD-SMD;120ohm,2012,2500mA,TP,115o	1		SA	R104	2007-000242	R-CHIP;1.5Kohm,5%,1/16W,TP,1005	1		SA
PL14	3301-001495	BEAD-SMD;120ohm,2012,2500mA,TP,115o	1		SA	R106	2007-000242	R-CHIP;1.5Kohm,5%,1/16W,TP,1005	1		SA
PL16	3301-001655	BEAD-SMD;33ohm,3216,3000mA,TP,16ohm	1		SA	R107	2011-001261	R-NETWORK;33ohm,5%,1/16W,L,CHIP,8P,	1		SA
PL17	3301-001655	BEAD-SMD;33ohm,3216,3000mA,TP,16ohm	1		SA	R108	2011-001261	R-NETWORK;33ohm,5%,1/16W,L,CHIP,8P,	1		SA
PL18	3301-001202	BEAD-SMD;120ohm,4532,TP,167ohm/260M	1		SA	R117	2007-000171	R-CHIP;0ohm,5%,1/16W,TP,1005	1		SA
PL191	3301-001655	BEAD-SMD;33ohm,3216,3000mA,TP,16ohm	1		SA	R118	2007-000171	R-CHIP;0ohm,5%,1/16W,TP,1005	1		SA
PL192	3301-001655	BEAD-SMD;33ohm,3216,3000mA,TP,16ohm	1		SA	R119	2007-001305	R-CHIP;120ohm,5%,1/16W,TP,1005	1		SA
PL3	3301-001202	BEAD-SMD;120ohm,4532,TP,167ohm/260M	1		SA	R122	2007-001305	R-CHIP;120ohm,5%,1/16W,TP,1005	1		SA
PL31	3301-001202	BEAD-SMD;120ohm,4532,TP,167ohm/260M	1		SA	R1253	2007-000598	R-CHIP;22ohm,5%,1/4W,TP,3216	1		SA
PL39	3301-001202	BEAD-SMD;120ohm,4532,TP,167ohm/260M	1		SA	R137	2007-001292	R-CHIP;33ohm,5%,1/16W,TP,1005	1		SA
PL4	3301-001202	BEAD-SMD;120ohm,4532,TP,167ohm/260M	1		SA	R138	2007-001292	R-CHIP;33ohm,5%,1/16W,TP,1005	1		SA
PL5	2703-002804	INDUCTOR-SMD;10uH,20%,12x12mm	1		SA	R143	2007-001292	R-CHIP;33ohm,5%,1/16W,TP,1005	1		SA
PL6	2703-003248	INDUCTOR-SMD;8.2uH,20%,7272	1		SA	R144	2007-001292	R-CHIP;33ohm,5%,1/16W,TP,1005	1		SA
PL7	2703-003248	INDUCTOR-SMD;8.2uH,20%,7272	1		SA	R145	2007-001292	R-CHIP;33ohm,5%,1/16W,TP,1005	1		SA
PL8	3301-001202	BEAD-SMD;120ohm,4532,TP,167ohm/260M	1		SA	R146	2007-000074	R-CHIP;100ohm,5%,1/10W,TP,1608	1		SA
PL9	3301-001202	BEAD-SMD;120ohm,4532,TP,167ohm/260M	1		SA	R15	2007-000143	R-CHIP;4.7Kohm,5%,1/16W,TP,1005	1		SA
PL90	3301-001202	BEAD-SMD;120ohm,4532,TP,167ohm/260M	1		SA	R150	2007-001292	R-CHIP;33ohm,5%,1/16W,TP,1005	1		SA
PL91	3301-001202	BEAD-SMD;120ohm,4532,TP,167ohm/260M	1		SA	R151	2007-000242	R-CHIP;1.5Kohm,5%,1/16W,TP,1005	1		SA
PQ1	0501-002184	TR-SMALL SIGNAL;KTD1304,NPN,200mW,S	1		SA	R152	2007-000242	R-CHIP;1.5Kohm,5%,1/16W,TP,1005	1		SA
PQ2	0501-002184	TR-SMALL SIGNAL;KTD1304,NPN,200mW,S	1		SA	R153	2007-000143	R-CHIP;4.7Kohm,5%,1/16W,TP,1005	1		SA
PR10	2007-000076	R-CHIP;33ohm,5%,1/10W,TP,1608	1		SA	R156	2007-001305	R-CHIP;120ohm,5%,1/16W,TP,1005	1		SA
PR11	2007-000287	R-CHIP;100ohm,1%,1/10W,TP,1608	1		SA	R157	2007-001305	R-CHIP;120ohm,5%,1/16W,TP,1005	1		SA
PR12	2007-008275	R-CHIP;30Kohm,1%,1/16W,TP,1005	1		SA	R181	2007-000143	R-CHIP;4.7Kohm,5%,1/16W,TP,1005	1		SA
PR13	2007-008426	R-CHIP;12.4Kohm,1%,1/10W,TP,1608	1		SA	R182	2007-000162	R-CHIP;100Kohm,5%,1/16W,TP,1005	1		SA
PR14	2007-000076	R-CHIP;33ohm,5%,1/10W,TP,1608	1		SA	R183	2007-000138	R-CHIP;100ohm,5%,1/16W,TP,1005	1		SA
PR15	2007-007528	R-CHIP;1.5Kohm,1%,1/16W,TP,1005	1		SA	R185	2007-000148	R-CHIP;10Kohm,5%,1/16W,TP,1005	1		SA
PR16	2007-007142	R-CHIP;10Kohm,1%,1/16W,TP,1005	1		SA	R2	2007-000779	R-CHIP;33ohm,1%,1/10W,TP,1608	1		SA
PR17	2007-007142	R-CHIP;10Kohm,1%,1/16W,TP,1005	1		SA	R21	2007-000033	R-CHIP;0ohm,5%,1/4W,TP,3216	1		SA
PR18	2007-007136	R-CHIP;4.7Kohm,1%,1/16W,TP,1005	1		SA	R216	2007-000242	R-CHIP;1.5Kohm,5%,1/16W,TP,1005	1		SA
PR19	2007-000775	R-CHIP;33Kohm,5%,1/16W,TP,1005	1		SA	R217	2007-000242	R-CHIP;1.5Kohm,5%,1/16W,TP,1005	1		SA
PR2	2007-000140	R-CHIP;1Kohm,5%,1/16W,TP,1005	1		SA	R28	2007-000033	R-CHIP;0ohm,5%,1/4W,TP,3216	1		SA
PR21	2007-000148	R-CHIP;10Kohm,5%,1/16W,TP,1005	1		SA	R29	2007-000033	R-CHIP;0ohm,5%,1/4W,TP,3216	1		SA
PR22	2007-000148	R-CHIP;10Kohm,5%,1/16W,TP,1005	1		SA	R300	2007-007008	R-CHIP;300ohm,5%,1/16W,TP,1005	1		SA
PR23	2007-000148	R-CHIP;10Kohm,5%,1/16W,TP,1005	1		SA	R308	2007-002781	R-CHIP;200ohm,5%,1/16W,TP,1005	1		SA
PR24	2007-000148	R-CHIP;10Kohm,5%,1/16W,TP,1005	1		SA	R309	2007-007441	R-CHIP;562ohm,1%,1/10W,TP,1608	1		SA
PR25	2007-000148	R-CHIP;10Kohm,5%,1/16W,TP,1005	1		SA	R315	2007-000171	R-CHIP;0ohm,5%,1/16W,TP,1005	1		SA
PR26	2007-000070	R-CHIP;0ohm,5%,1/10W,TP,1608	1		SA	R316	2007-000171	R-CHIP;0ohm,5%,1/16W,TP,1005	1		SA
PR28	2007-000148	R-CHIP;10Kohm,5%,1/16W,TP,1005	1		SA	R317	2007-000171	R-CHIP;0ohm,5%,1/16W,TP,1005	1		SA
PR29	2007-000148	R-CHIP;10Kohm,5%,1/16W,TP,1005	1		SA	R318	2007-000171	R-CHIP;0ohm,5%,1/16W,TP,1005	1		SA
PR30	2007-000148	R-CHIP;10Kohm,5%,1/16W,TP,1005	1		SA	R344	2007-007008	R-CHIP;300ohm,5%,1/16W,TP,1005	1		SA
PR31	2007-000148	R-CHIP;10Kohm,5%,1/16W,TP,1005	1		SA	R346	2007-007008	R-CHIP;300ohm,5%,1/16W,TP,1005	1		SA
PR32	2007-000134	R-CHIP;33Kohm,5%,1/10W,TP,1608	1		SA	R348	2007-000502	R-CHIP;2.2ohm,5%,1/8W,TP,2012	1		SA
PR33	2007-000148	R-CHIP;10Kohm,5%,1/16W,TP,1005	1		SA	R35	2007-000033	R-CHIP;0ohm,5%,1/4W,TP,3216	1		SA
PR34	2007-000070	R-CHIP;0ohm,5%,1/10W,TP,1608	1		SA	R350	2007-000171	R-CHIP;0ohm,5%,1/16W,TP,1005	1		SA
PR35	2007-000033	R-CHIP;0ohm,5%,1/4W,TP,3216	1		SA	R36	2007-000143	R-CHIP;4.7Kohm,5%,1/16W,TP,1005	1		SA
						R366	2007-000242	R-CHIP;1.5Kohm,5%,1/16W,TP,1005	1		SA

Exploded View & Part List

Loc. No.	Part No.	Description;Specification	Q'ty	SNA	Remark	Loc. No.	Part No.	Description;Specification	Q'ty	SNA	Remark
R37	2007-000143	R-CHIP;4.7Kohm,5%,1/16W,TP,1005	1		SA	TUR10	2007-000143	R-CHIP;4.7Kohm,5%,1/16W,TP,1005	1		SA
R390	2007-000143	R-CHIP;4.7Kohm,5%,1/16W,TP,1005	1		SA	TUR11	2007-000143	R-CHIP;4.7Kohm,5%,1/16W,TP,1005	1		SA
R396	2007-000242	R-CHIP;1.5Kohm,5%,1/16W,TP,1005	1		SA	TUR12	2007-001325	R-CHIP;3.3Kohm,5%,1/16W,TP,1005	1		SA
R400	2007-000242	R-CHIP;1.5Kohm,5%,1/16W,TP,1005	1		SA	TUR13	2007-000171	R-CHIP;0ohm,5%,1/16W,TP,1005	1		SA
R402	2007-000242	R-CHIP;1.5Kohm,5%,1/16W,TP,1005	1		SA	TUR14	2007-000171	R-CHIP;0ohm,5%,1/16W,TP,1005	1		SA
R404	2007-000242	R-CHIP;1.5Kohm,5%,1/16W,TP,1005	1		SA	TUR15	2007-000171	R-CHIP;0ohm,5%,1/16W,TP,1005	1		SA
R406	2007-000143	R-CHIP;4.7Kohm,5%,1/16W,TP,1005	1		SA	TUR16	2007-000171	R-CHIP;0ohm,5%,1/16W,TP,1005	1		SA
R409	2007-000143	R-CHIP;4.7Kohm,5%,1/16W,TP,1005	1		SA	TUR2	2007-000138	R-CHIP;100ohm,5%,1/16W,TP,1005	1		SA
R413	2007-000143	R-CHIP;4.7Kohm,5%,1/16W,TP,1005	1		SA	TUR3	2007-000138	R-CHIP;100ohm,5%,1/16W,TP,1005	1		SA
R422	2007-000143	R-CHIP;4.7Kohm,5%,1/16W,TP,1005	1		SA	TUR8	2007-000143	R-CHIP;4.7Kohm,5%,1/16W,TP,1005	1		SA
R427	2007-000242	R-CHIP;1.5Kohm,5%,1/16W,TP,1005	1		SA	TUR9	2007-000143	R-CHIP;4.7Kohm,5%,1/16W,TP,1005	1		SA
R435	2007-000242	R-CHIP;1.5Kohm,5%,1/16W,TP,1005	1		SA	U1	1204-002900	IC-VIDEO DECODER;BCM7440PYKFEBG,FCB	1		SA
R439	2007-000242	R-CHIP;1.5Kohm,5%,1/16W,TP,1005	1		SA	UC10	2203-000386	C-CER,CHIP;0.015nF,5%,50V,COG,1005	1		SA
R441	2007-002970	R-CHIP;56ohm,5%,1/16W,TP,1005	1		SA	UIC1	1203-005469	IC-POWER SUPERVISOR;MIC2009YM6,SOT-	1		SA
R442	2007-000242	R-CHIP;1.5Kohm,5%,1/16W,TP,1005	1		SA	UL28	2007-000171	R-CHIP;0ohm,5%,1/16W,TP,1005	1		SA
R502	2007-000148	R-CHIP;10Kohm,5%,1/16W,TP,1005	1		SA	UL29	2007-000171	R-CHIP;0ohm,5%,1/16W,TP,1005	1		SA
R505	2007-000143	R-CHIP;4.7Kohm,5%,1/16W,TP,1005	1		SA	UR15	2007-000148	R-CHIP;10Kohm,5%,1/16W,TP,1005	1		SA
R52	2007-000242	R-CHIP;1.5Kohm,5%,1/16W,TP,1005	1		SA	UR16	2007-000171	R-CHIP;0ohm,5%,1/16W,TP,1005	1		SA
R58	2007-000242	R-CHIP;1.5Kohm,5%,1/16W,TP,1005	1		SA	UR17	2703-000402	INDUCTOR-SMD;1uH,20%,3225	1		SA
R60	2007-000139	R-CHIP;220ohm,5%,1/16W,TP,1005	1		SA	UR18	2007-000029	R-CHIP;0ohm,5%,1/8W,TP,2012	1		SA
R61	2007-000139	R-CHIP;220ohm,5%,1/16W,TP,1005	1		SA	UR19	2007-000151	R-CHIP;15Kohm,5%,1/16W,TP,1005	1		SA
R7	2007-000779	R-CHIP;33ohm,1%,1/10W,TP,1608	1		SA	UR20	2007-000151	R-CHIP;15Kohm,5%,1/16W,TP,1005	1		SA
R71	2007-000143	R-CHIP;4.7Kohm,5%,1/16W,TP,1005	1		SA	UR22	2007-000148	R-CHIP;10Kohm,5%,1/16W,TP,1005	1		SA
R80	2007-000242	R-CHIP;1.5Kohm,5%,1/16W,TP,1005	1		SA	UR23	2007-007141	R-CHIP;240ohm,5%,1/16W,TP,1005	1		SA
R82	2007-000242	R-CHIP;1.5Kohm,5%,1/16W,TP,1005	1		SA	VC1	2203-000476	C-CER,CHIP;1000nF,+80-20%,16V,Y5V,2	1		SA
R84	2007-000242	R-CHIP;1.5Kohm,5%,1/16W,TP,1005	1		SA	VC10	2203-006158	C-CER,CHIP;100nF,10%,16V,X7R,1005	1		SA
R88	2007-000242	R-CHIP;1.5Kohm,5%,1/16W,TP,1005	1		SA	VC11	2203-006158	C-CER,CHIP;100nF,10%,16V,X7R,1005	1		SA
R9	2007-007441	R-CHIP;562ohm,1%,1/10W,TP,1608	1		SA	VC17	2203-006158	C-CER,CHIP;100nF,10%,16V,X7R,1005	1		SA
R92	2007-000242	R-CHIP;1.5Kohm,5%,1/16W,TP,1005	1		SA	VC3	2203-000476	C-CER,CHIP;1000nF,+80-20%,16V,Y5V,2	1		SA
R928	2007-000591	R-CHIP;22ohm,1%,1/10W,TP,1608	1		SA	VC4	2203-000476	C-CER,CHIP;1000nF,+80-20%,16V,Y5V,2	1		SA
R929	2007-000591	R-CHIP;22ohm,1%,1/10W,TP,1608	1		SA	VC6	2203-000476	C-CER,CHIP;1000nF,+80-20%,16V,Y5V,2	1		SA
R932	2007-000171	R-CHIP;0ohm,5%,1/16W,TP,1005	1		SA	VC7	2203-006361	C-CER,CHIP;10000nF,10%,10V,X5R,TP,2	1		SA
R936	2703-000402	INDUCTOR-SMD;1uH,20%,3225	1		SA	VC8	2203-006361	C-CER,CHIP;10000nF,10%,10V,X5R,TP,2	1		SA
R940	2007-002425	R-CHIP;1ohm,5%,1/10W,TP,1608	1		SA	VCN1	3722-002454	JACK-PIN;6P,SN NI,RD/BU/GN/RD/WTYL	1		SA
R948	2007-000171	R-CHIP;0ohm,5%,1/16W,TP,1005	1		SA	VE111	2402-001237	C-AL,SMD;330uF,20%.6.3V,-,TP,6.3x7.	1		SA
R955	2007-000171	R-CHIP;0ohm,5%,1/16W,TP,1005	1		SA	VE8	2203-006560	C-CER,CHIP;22000nF,10%,10V,X5R,3225	1		SA
R956	2007-000171	R-CHIP;0ohm,5%,1/16W,TP,1005	1		SA	VIC1	1201-002707	IC-VIDEO AMP;MM1757CHBE,H5OP-36A,36	1		SA
R957	2007-000171	R-CHIP;0ohm,5%,1/16W,TP,1005	1		SA	VL2	2703-000166	INDUCTOR-SMD;2.7uH,5%,3225	1		SA
R958	2007-000171	R-CHIP;0ohm,5%,1/16W,TP,1005	1		SA	VR100	2007-000157	R-CHIP;47Kohm,5%,1/16W,TP,1005	1		SA
R959	2011-001345	R-NETWORK;10Kohm,5%,1/16W,L,CHIP,8P	1		SA	VR12	2007-001164	R-CHIP;75ohm,1%,1/10W,TP,1608	1		SA
R96	2007-000242	R-CHIP;1.5Kohm,5%,1/16W,TP,1005	1		SA	VR13	2007-001164	R-CHIP;75ohm,1%,1/10W,TP,1608	1		SA
R960	2007-000171	R-CHIP;0ohm,5%,1/16W,TP,1005	1		SA	VR14	2007-001164	R-CHIP;75ohm,1%,1/10W,TP,1608	1		SA
R964	2007-007138	R-CHIP;27Kohm,1%,1/16W,TP,1005	1		SA	VR16	2007-001164	R-CHIP;75ohm,1%,1/10W,TP,1608	1		SA
R970	2007-000144	R-CHIP;5.1Kohm,5%,1/16W,TP,1005	1		SA	VR17	2007-001164	R-CHIP;75ohm,1%,1/10W,TP,1608	1		SA
R971	2007-000171	R-CHIP;0ohm,5%,1/16W,TP,1005	1		SA	VR18	2007-001164	R-CHIP;75ohm,1%,1/10W,TP,1608	1		SA
R972	2007-000171	R-CHIP;0ohm,5%,1/16W,TP,1005	1		SA	VR19	2007-001164	R-CHIP;75ohm,1%,1/10W,TP,1608	1		SA
R98	2007-000242	R-CHIP;1.5Kohm,5%,1/16W,TP,1005	1		SA	VR20	2007-001164	R-CHIP;75ohm,1%,1/10W,TP,1608	1		SA
SCN2	3708-001615	CONNECTOR-FPC/FFC/PIC;24P,1mm,SMD-S	1		SA	VR21	2007-001164	R-CHIP;75ohm,1%,1/10W,TP,1608	1		SA
SCN3	3708-002678	CONNECTOR-FPC/FFC/PIC;28P,1.0MM,SMD	1		SA	VR22	2007-001164	R-CHIP;75ohm,1%,1/10W,TP,1608	1		SA
SCON3	3711-000820	HEADER-BOARD TO CABLE;BOX,2P,1R,2.5	1		SA	VR23	2007-001164	R-CHIP;75ohm,1%,1/10W,TP,1608	1		SA
SCON4	3708-002018	CONNECTOR-FPC/FFC/PIC;4P,1MM,SMD-A,	1		SA	VR24	2007-000171	R-CHIP;0ohm,5%,1/16W,TP,1005	1		SA
SD1	2007-000033	R-CHIP;0ohm,5%,1/4W,TP,3216	1		SA	VR3	2007-001164	R-CHIP;75ohm,1%,1/10W,TP,1608	1		SA
SD3	0404-001036	DIODE-SCHOTTKY;SDB30A40,40V,3000MA,	1		SA	VR7	2007-000171	R-CHIP;0ohm,5%,1/16W,TP,1005	1		SA
TPACK	AH40-00152A	TUNER-MODULE;KST-MW104FV1-S58,MAX-D	1		SA	VR9	2007-000171	R-CHIP;0ohm,5%,1/16W,TP,1005	1		SA
TUC1	2203-006361	C-CER,CHIP;10000nF,10%,10V,X5R,TP,2	1		SA	X1	2801-004655	CRYSTAL-SMD;25MHz,50ppm,SX-3,18pF,2	1		SA
TUC2	2203-006158	C-CER,CHIP;100nF,10%,16V,X7R,1005	1		SA	XRC2	2203-006361	C-CER,CHIP;10000nF,10%,10V,X5R,TP,2	1		SA
TUC3	2203-006158	C-CER,CHIP;100nF,10%,16V,X7R,1005	1		SA	X-TAL2	2801-004371	CRYSTAL-SMD;12.288MHz,50ppm,SX-1,18	1		SA
TUR1	2007-000140	R-CHIP;1Kohm,5%,1/16W,TP,1005	1		SA	Y1	2801-004641	CRYSTAL-UNIT;54MHz,20ppm,HC-49/U,10	1		SA

Loc. No.	Part No.	Description;Specification	Q'ty	SNA	Remark	Loc. No.	Part No.	Description;Specification	Q'ty	SNA	Remark
	AH99-00408A	ASSY AUTO INSERT;BD HTS,HT-BD7200,M	1		SNA						
	AH98-00225D	ASSY ACCESSORY;HT-BD7200,XEF,-,-	1		SNA						
	3301-000144	CORE-FERRITE;34.5x12.5x32.5mm,1500,	1		SNA						
	4301-000116	BATTERY-ALKALINE;1.5V,AAA,10.5x44.5	2		SA						
	6801-001763	CARD-REGISTRATION;Europe Registrati	1		SA						
	6902-000287	BAG PE;LDPE,T0.05,W100,L120,TRP,0.0	1		SNA						
	6902-000385	BAG PE;LDPE,T0.03,W250,L350,TRP,8,1	1		SA						
	AH39-40001V	CABLE-AUDIO CABLE;1P-1P,3000mm,YELL	1		SA						
	AH42-00021A	ANT FM T;T18011F-1,75 ohm,1800mm	1		SA						
	AH68-00650L	MARK RECYCLE-CARD-WARRANTY;YP-P2,EL	1		SA						
	AH68-02196C	MANUAL USERS;HT-BD7200,XEF,FRN/NL/G	1		SA						
	AH68-50254B	LABEL-SERIAL,T0.1,L10,W45,SME/SEHZ	1.05		SNA						
	AH81-02286C	A/S-EYEGLASS CLOTH;HT-TXQ120,POLY-B	1		SA						
	AH98-00230C	ASSY LABEL;HT-BD7200,XEE,-,-	1		SNA						
	AH63-01301A	SHEET-SET;HT-Q40	1		SNA						
	AH68-00371A	LABEL-BAR CODE;DVD-611/XAA,MOJO2000	1.05		SNA						
	AH68-01929H	LABEL RATING;HT-A100,ELS,SLIVER PET	1.05		SNA						
	AH68-01984A	MANUAL-CLEANING;HT-X200,ART PAPER	1		SNA						
	AH68-02206C	LABEL-POP;HT-BD7200,EUR,SILVER SHEE	1		SA						
	AH69-02514A	CUSHION-TOP;HT-BD7200,EPS,W460,D192	1		SA						
	AH69-02515A	CUSHION-BOT;HT-BD7200,EPS,W460,D192	1		SA						
	AH59-02194A	REMOCON-ASSY;HT-BD7200-EUR,SAMSUNG,	1		SA						
	AH69-02516B	MASTER CARTON;HT-BD7200R/XEF,PAPER,	1.03		SNA						
	AH96-00051A	ASSY MISC P-IPOD CRADLE;HT-Z520,XAA	1		SNA						

MEMO