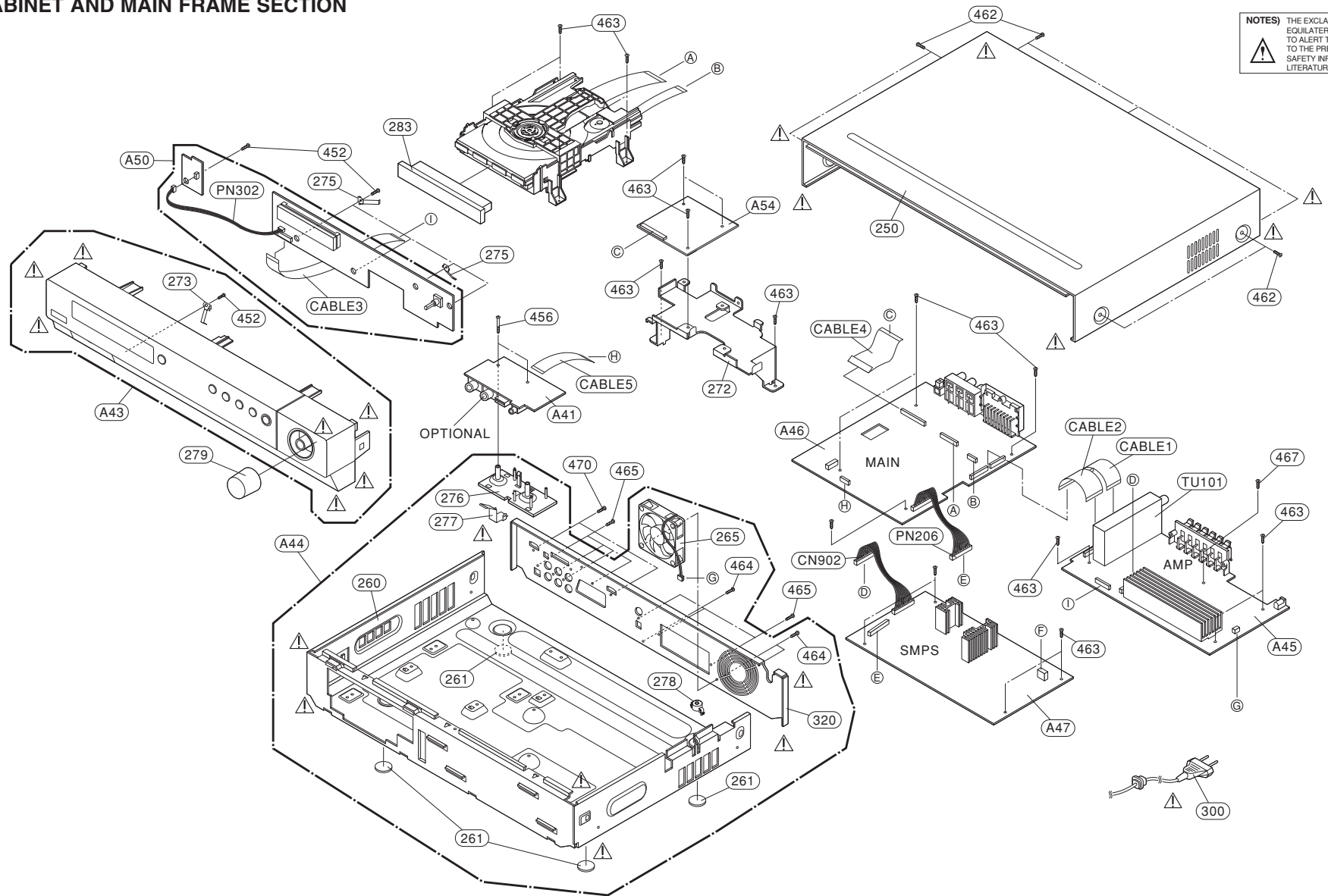


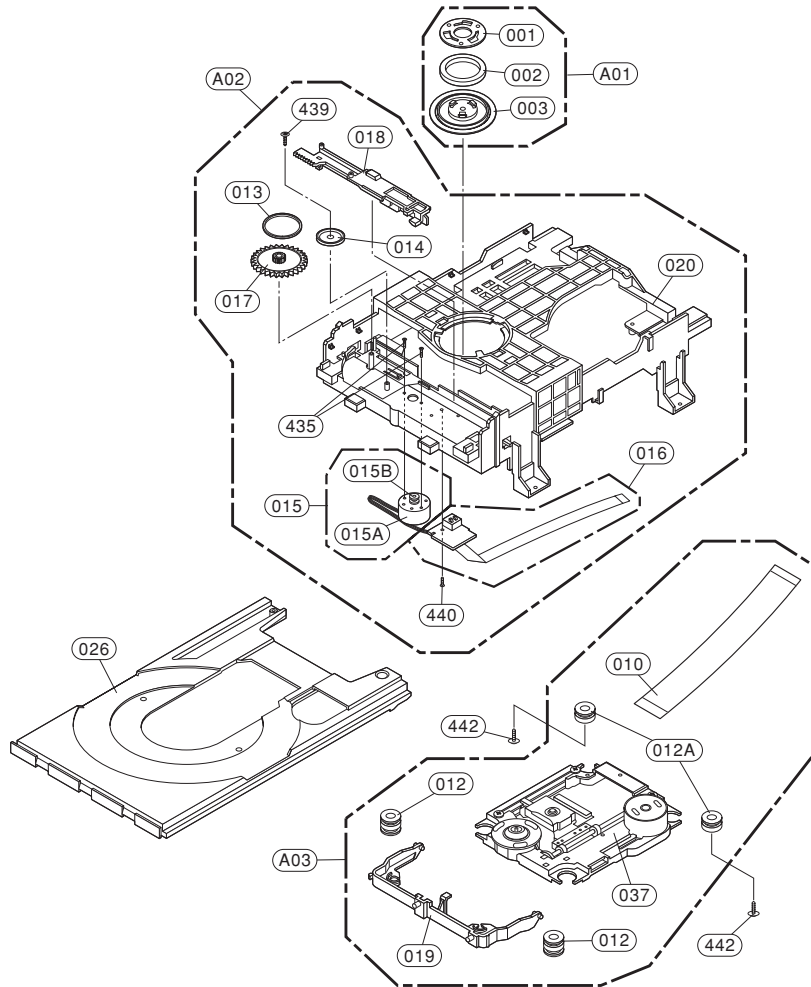
SECTION 3. EXPLODED VIEWS

• CABINET AND MAIN FRAME SECTION



NOTES) THE EXCLAMATION POINT WITHIN AN EQUILATERAL TRIANGLE IS INTENDED TO ALERT THE SERVICE PERSONNEL TO THE PRESENCE OF IMPORTANT SAFETY INFORMATION IN SERVICE LITERATURE.

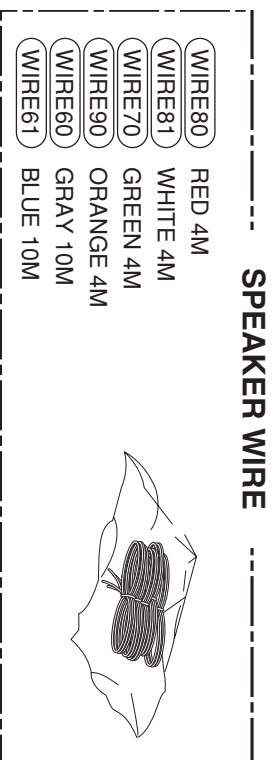
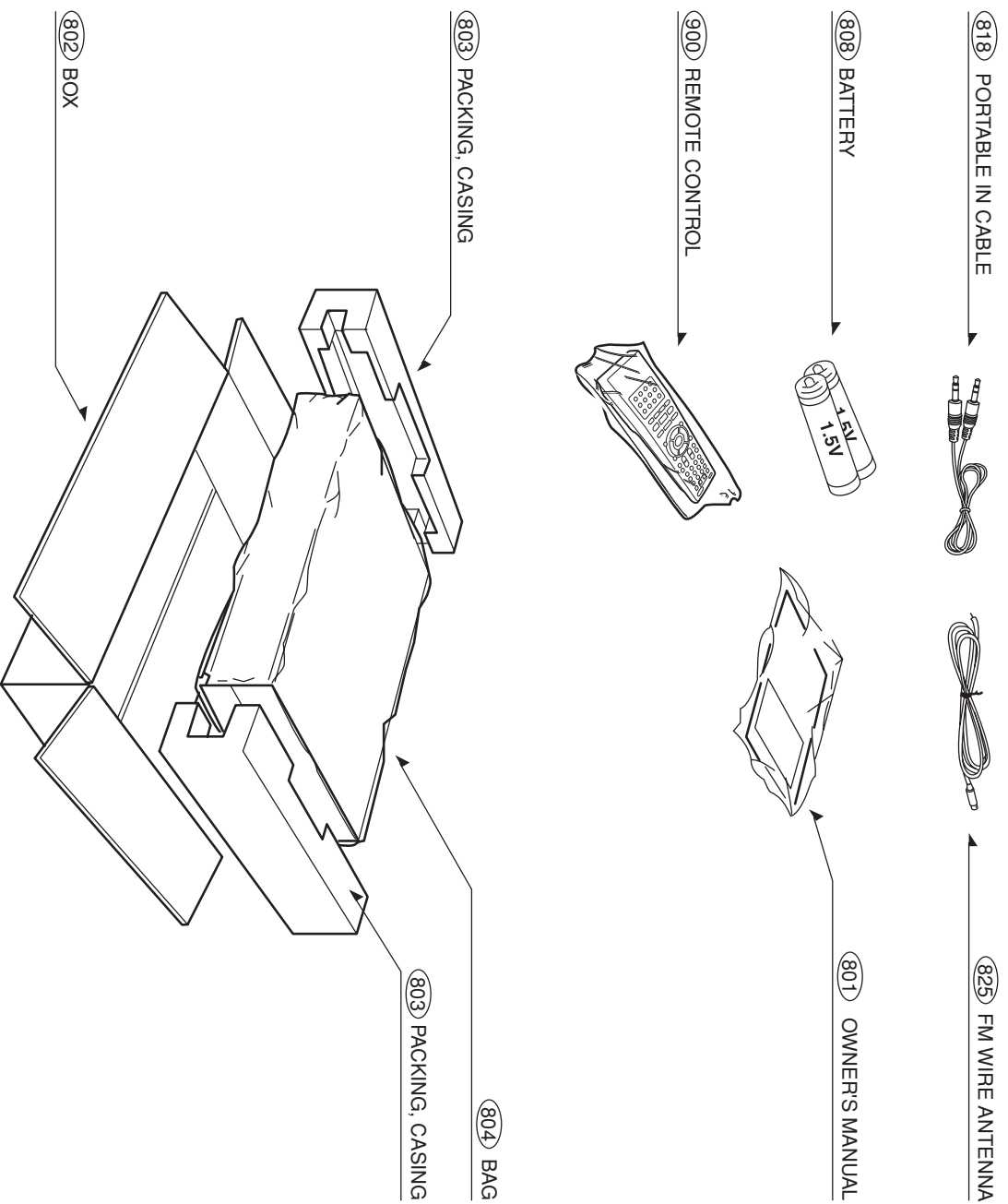
• DECK MECHANISM EXPLODED VIEW(DP-12AV)



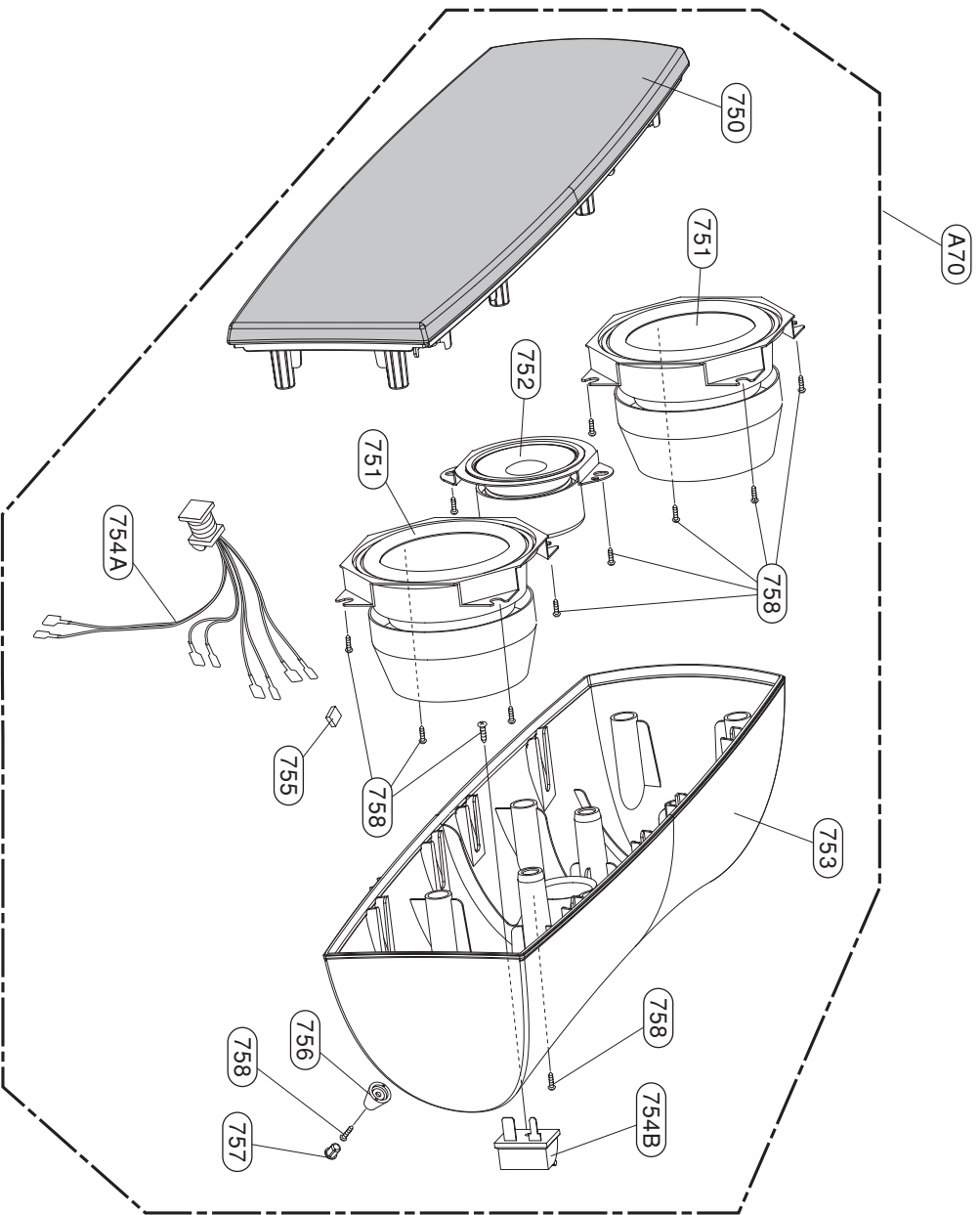
NSP : Non SVC Parts

LOCA. NO.	LG PART NO.	DESCRIPTION	SPECIFICATION	REMARKS
A01	ACA34280801	Clamp Assembly	DECK/MECHA DP-12/13 ferrite ty	
A02	3041R-T010P	Base Assembly	DP-12A-1 LOADING (BACK SIDE)	
A03	3041R-T011Q	Base Assembly	SLED DP-12AV (IN)	
001	MGJ38556601	Plate	PRESS SECC 0.8 dp-13 PRESS upp	NSP
002	RAB30611501	Magnet,Ferrite	FERRITE 50G	NSP
003	MBU38556801	Clamp	MOLD POM DECK/MECHA dp-13 MOLD	NSP
010	6850R-JW12E	Cable,FFC	AT10023120D01 120MM 1.00MM 23P	
012	MCQ41263801	Damper	MOLD BUTYL RUBBER DECK/MECHA D	
012A	MCQ38556901	Damper	EXTRUSION BUTYL RUBBER DECK/ME	
013	4400R-0006B	Belt	MOLD RUBBER DECK/MECHA DP2-5,	
014	4470R-0154A	Gear	COMPLEX DVD DECK/MECHA DP8 PUL	
015	4681R-A015D	Motor Assembly,DC	DVD DP-12A/T LOADING -	
015A	EAU43506801	Motor,DC	JQ24-35H390 2V 90A 28A 0RPM 0R	
015A	4680R-E008A	Motor,DC	RF-300EA-1D390(80MM) 2V 90MA 2	ALTERNATE
015B	4560R-0008A	Pulley	MOLD POM DVD MD MOLD -	
016	6871R-9297M	PCB Assembly	DP-12T-1 LOADING/FEEDING BACK	
017	4470R-0176A	Gear	DVD DP-9 LOADING MOLD	
018	4974R-0067A	Guide	MOLD POM DVD DP-9C UP/DOWN MOL	
019	MDQ39573201	Frame	MOLD ABS XR-401 UP/DOWN FRAME	
020	MAM39572801	Base	MOLD ABS XR-401 MAIN BASE MOLD	
026	3390R-0032A	Tray	MOLD ABS DVD DP-9MC DISK MOLD	
037	EAZ4006202	Pick Up Assembly	CMS-S77RFV(1) CMS-S77RFV(1) IM	
435	1SZZR-0011A	Screw,Customized	MACHINE	
439	1SZZR-0075A	Screw,Customized	- + 1.7MM 10MM SWRCH FZW SIN	
440	1SZZH-1007B	Screw,Customized	+ D2.0 6MM SWRCH16A/ZNBK 4MM 1	
442	FAB30124101	Screw,Tapitite	1szzr-0064 PWH + B 2.6MM 7MM S	

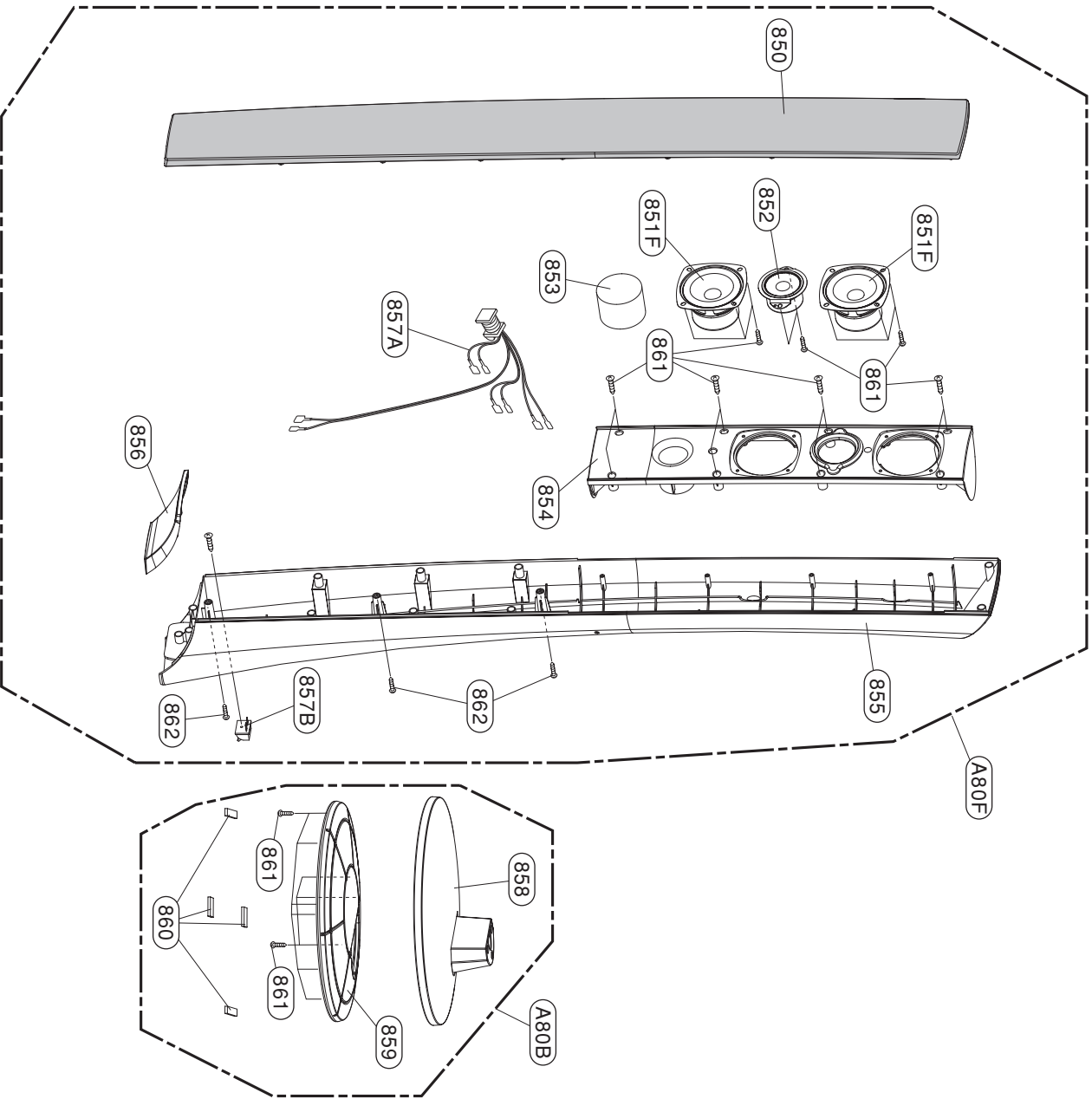
• PACKING ACCESSORY SECTION



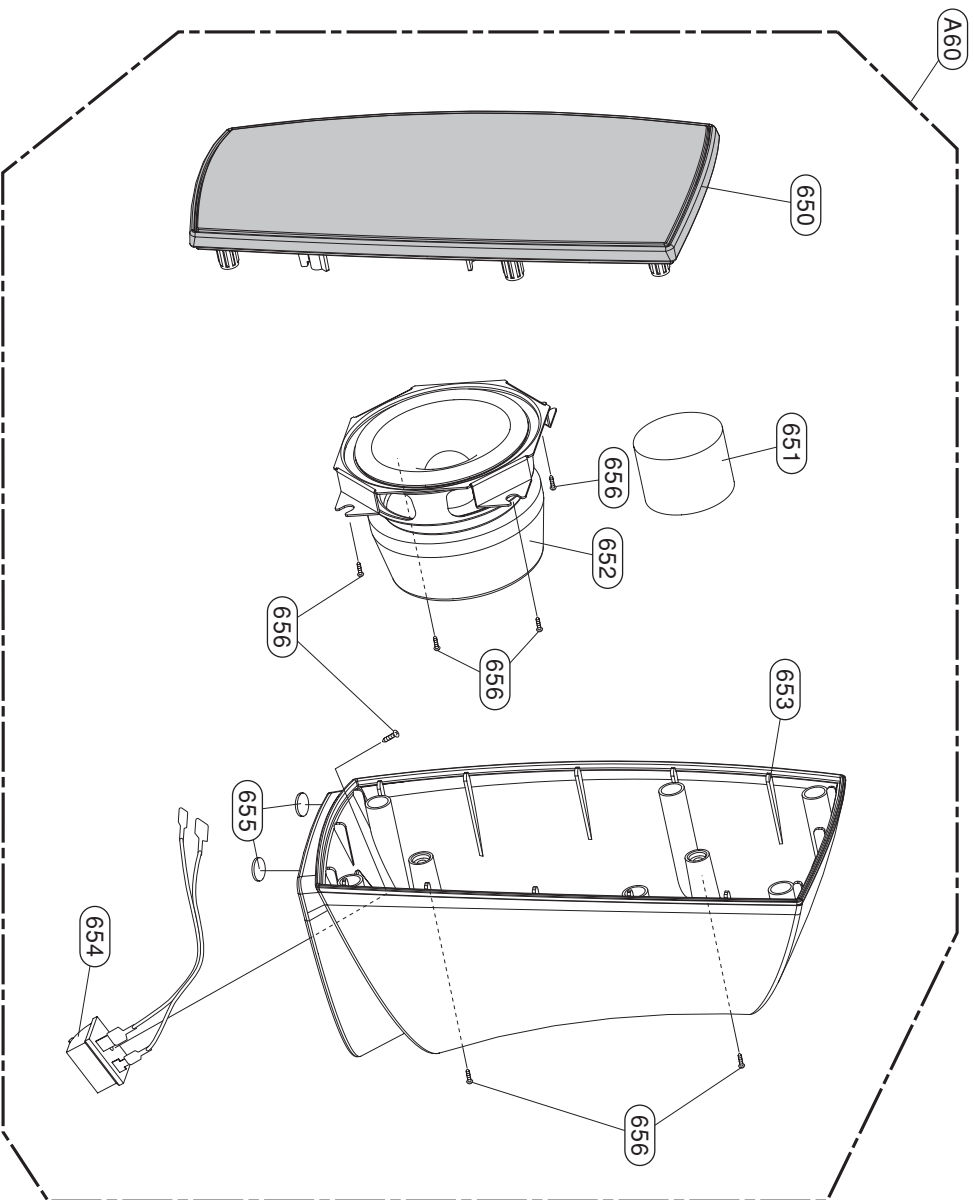
• **SPEAKER SECTION (SH54PH)**
1. CENTER SPEAKER (SH54PH-C)



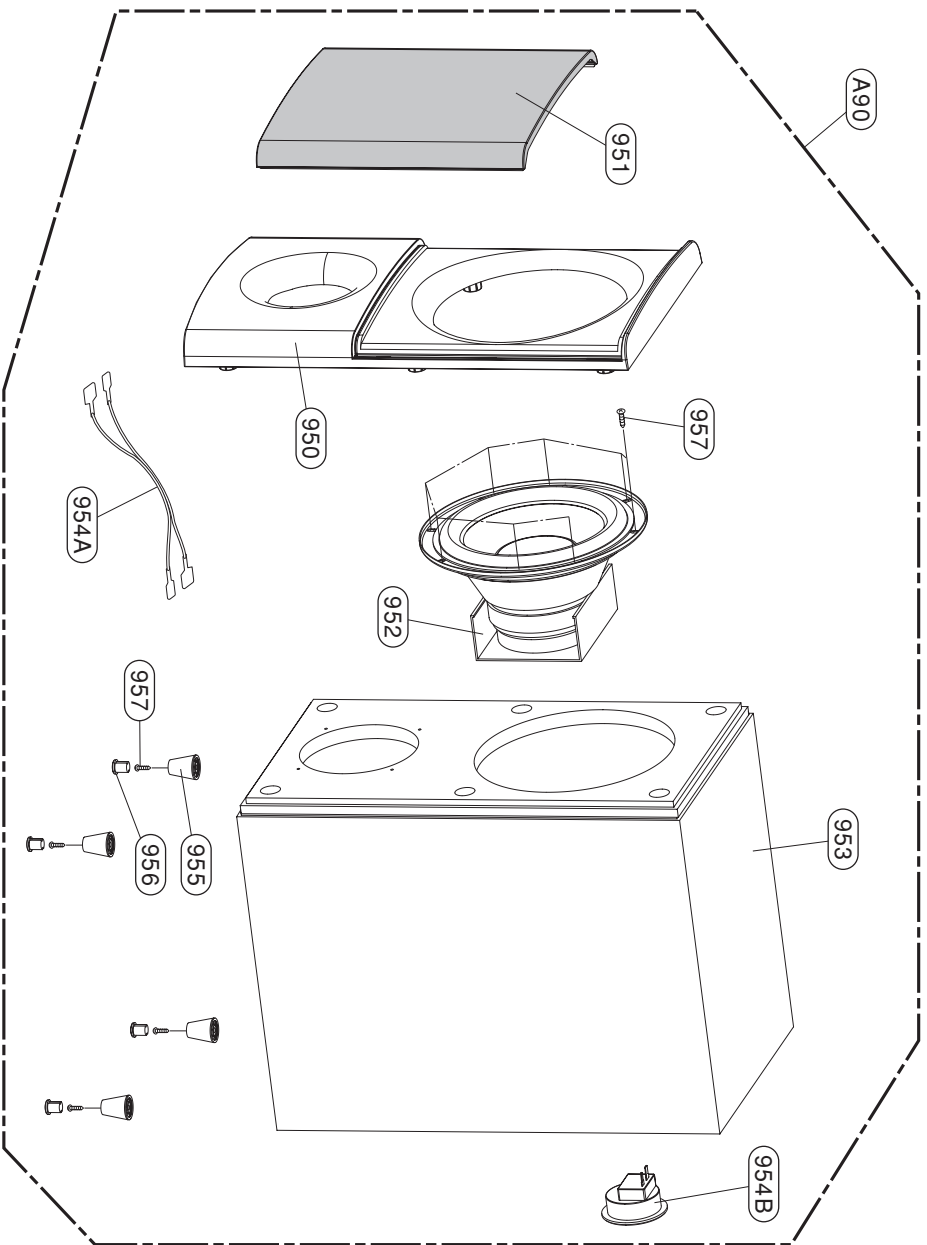
2. FRONT SPEAKER (SH54PH-F)



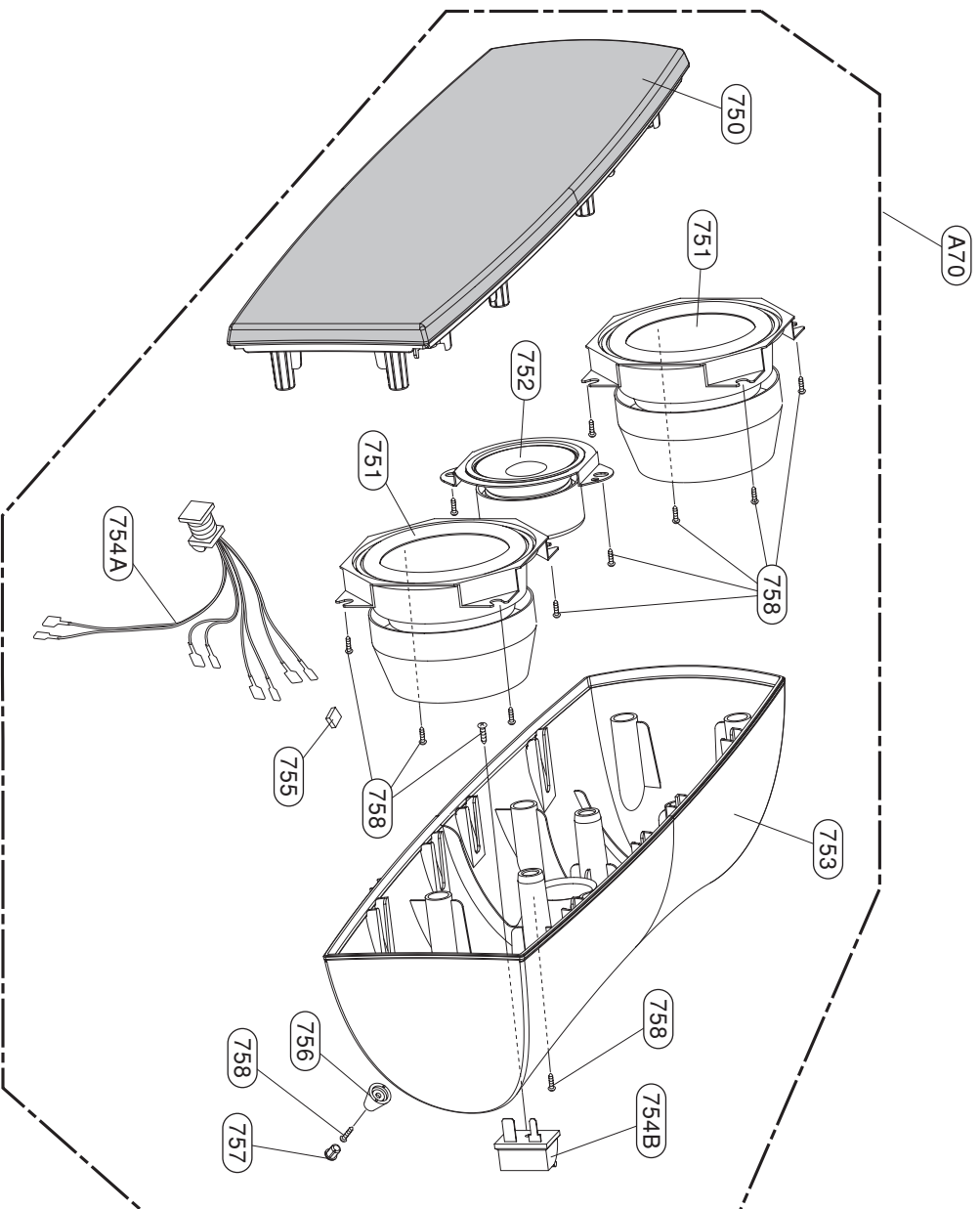
3. REAR SPEAKER (SH54PH-S)



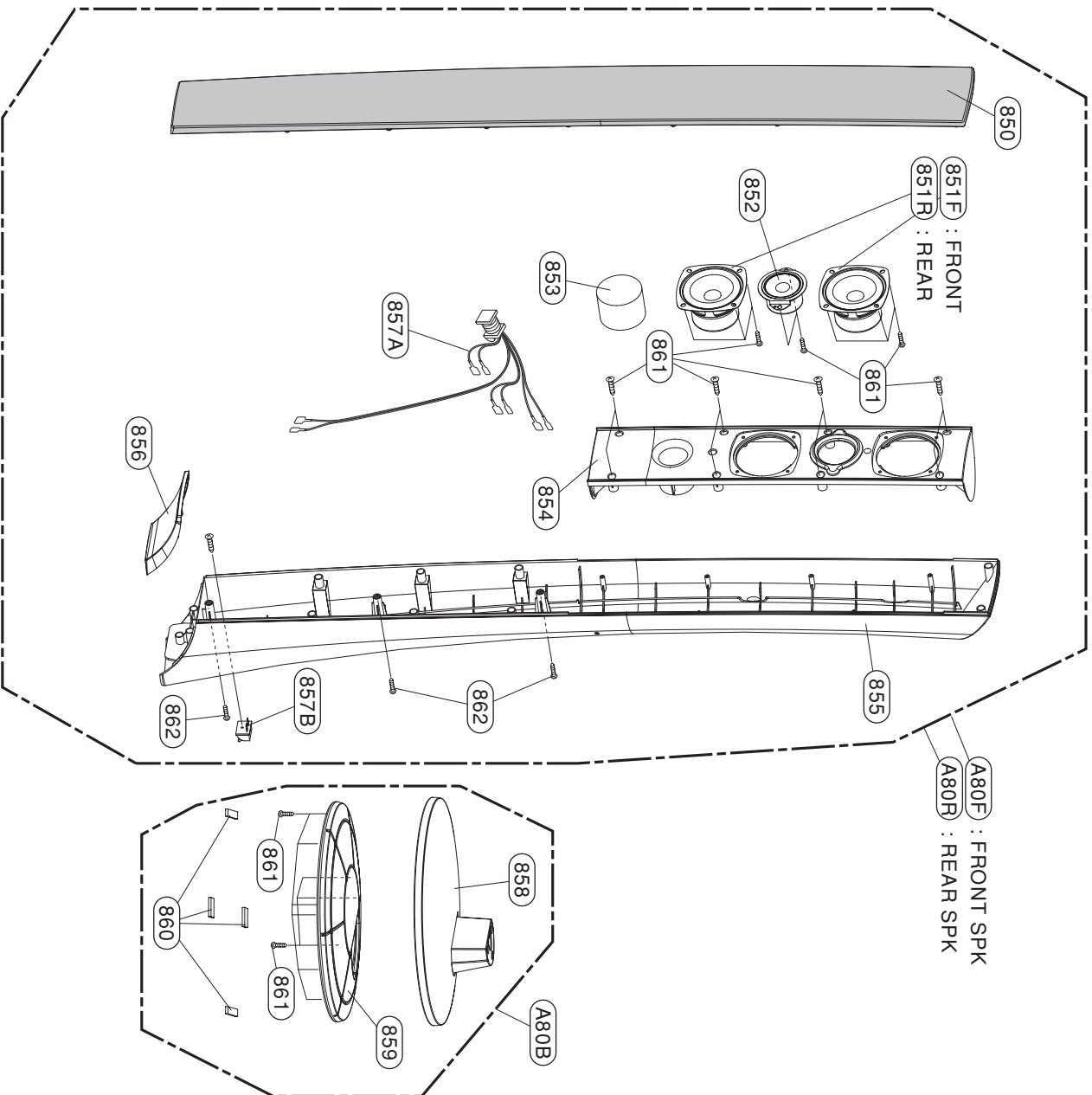
4. PASSIVE SUBWOOFER (SH54PH-W)



• **SPEAKER SECTION (SH54TH)**
1. CENTER SPEAKER (SH54TH-C)



2. FRONT/REAR SPEAKER (SH54TH-F/S)



3. PASSIVE SUBWOOFER (SH54TH-W)

