



Philips Domestic Appliances and Personal Care

Service Manual

PRODUCT INFORMATION

- This product meets the requirements regarding interference suppression on radio and TV.
- After the product has been repaired, it should function properly and has to meet the safety requirements as officially laid down at this moment.

TECHNICAL INFORMATION

- Motor consumption : 350 Watt
- Voltage & frequency : 220 - 240 V / 50 - 60 Hz
- Cordset : 150 cm double insulated with moulded plug
- Speed setting : 1 speed + pulse
- Bowl max. capacity : 2.1 l dry ingredients
1.5 l liquids
- Bowl : not suitable for the micro wave
- Ingredients : max. 80 °C / 175 °F
- Dimensions product : 230 x 180 x 235 mm
- Weight product : 1.4 kg

This appliance is equipped with an automatic thermal cut-out system. This system will automatically cut off the power supply to the appliance in case of overheating.

If the appliance suddenly stops running:

1. Pull the mains plug out of the socket.
2. Set the speed control to '0'.
3. Let the appliance cool down for 60 minutes. Then the appliance is ready for use again.
4. Put the mains plug back into the socket.
5. Switch the appliance on again.

HR7600 / HR7605

DISASSEMBLY- AND RE-ASSEMBLY ADVISE

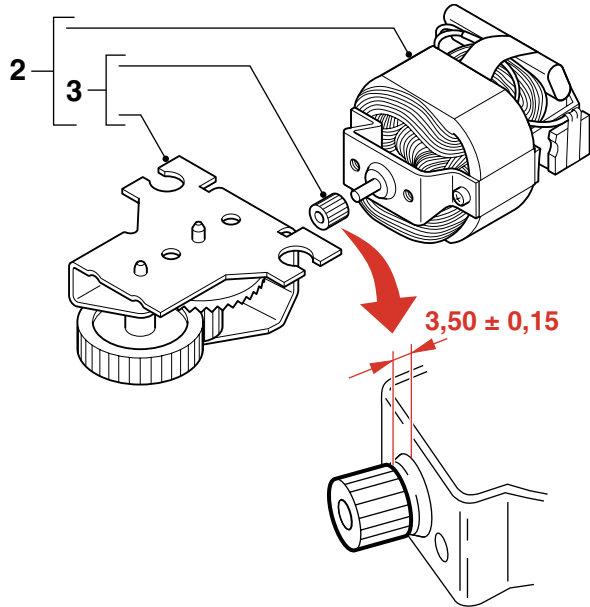
- No specific issues

OPTIONAL (accessories)

- No specific issues

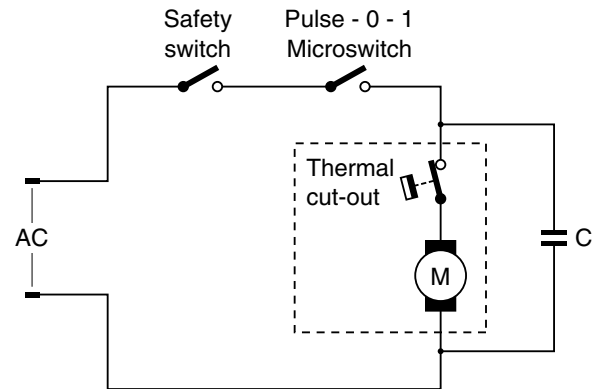
REPAIR INSTRUCTIONS

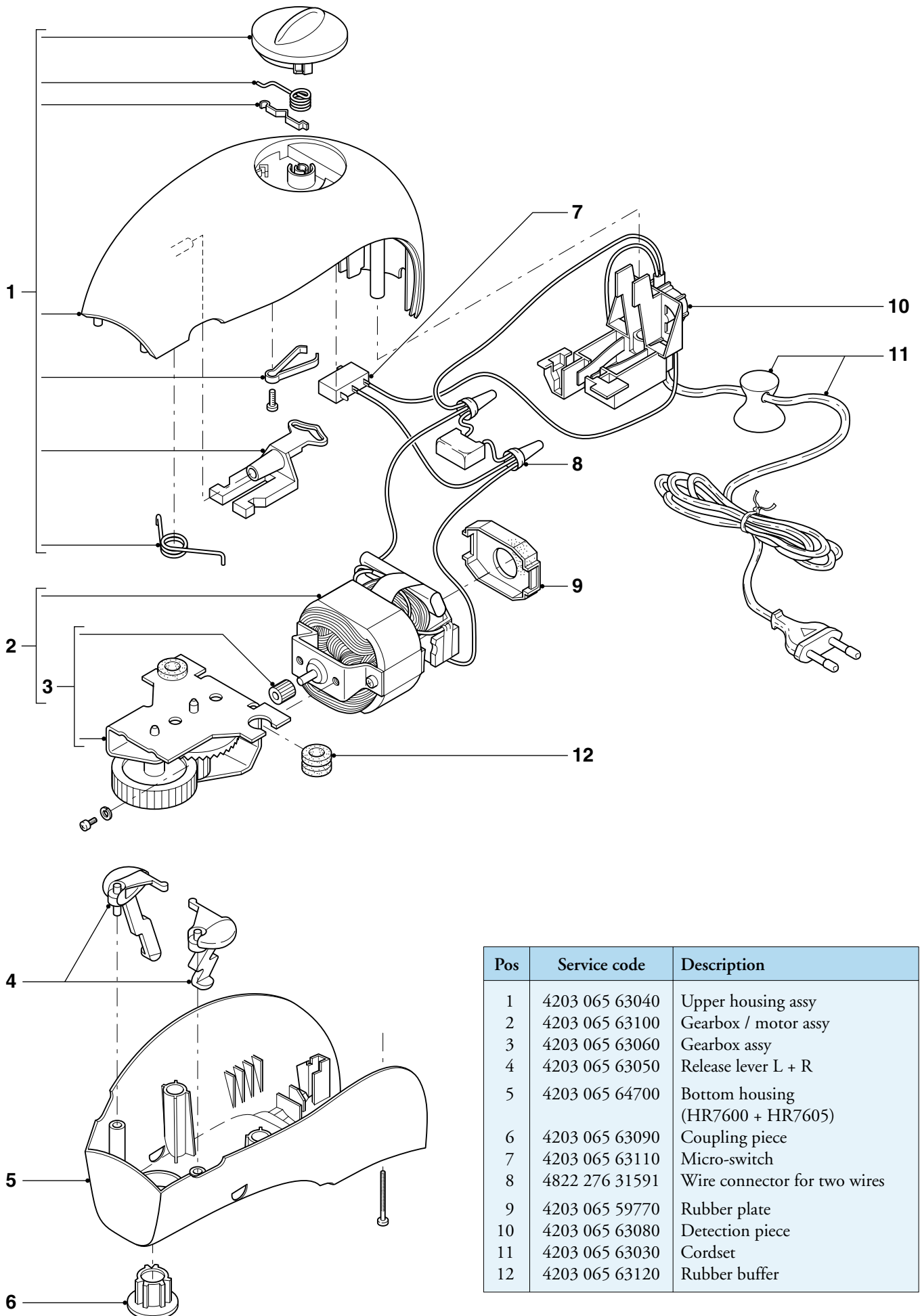
Use grease 4822 390 20004 to lubricate the parts of the gearbox.



Note:

Support the rotorshaft to prevent forces on the motor bearings, during the assembly of the pinion on the rotorshaft.

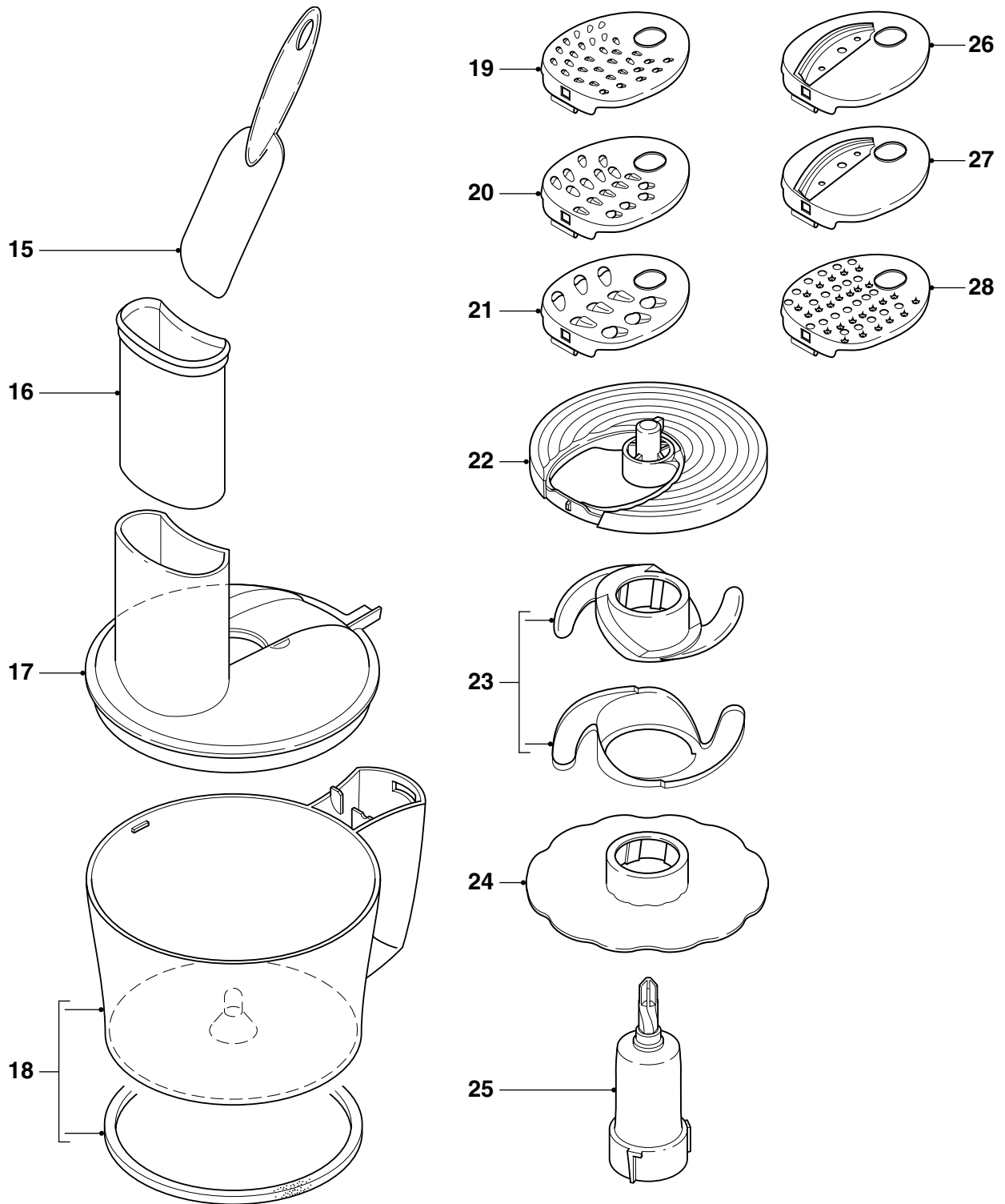




Pos	Service code	Description
1	4203 065 63040	Upper housing assy
2	4203 065 63100	Gearbox / motor assy
3	4203 065 63060	Gearbox assy
4	4203 065 63050	Release lever L + R
5	4203 065 64700	Bottom housing (HR7600 + HR7605)
6	4203 065 63090	Coupling piece
7	4203 065 63110	Micro-switch
8	4822 276 31591	Wire connector for two wires
9	4203 065 59770	Rubber plate
10	4203 065 63080	Detection piece
11	4203 065 63030	Cordset
12	4203 065 63120	Rubber buffer

PARTS LIST & EXPLODED VIEW

HR7600 / HR7605



Pos	Service code	Description
15	4203 065 63170	Spatula
16	4203 065 63140	Food pusher
17	4203 065 63130	Bowl lid
18	4203 065 62990	Bowl (only for HR7600)
	4203 065 64690	Bowl (only for HR7605 or for HR7600 only in combination with POS. 5, when the stock of 4203 065 62990 is empty !)
19	4203 065 61550	Insert shredding fine (opt.)

Pos	Service code	Description
20	4203 065 61560	Insert shredding medium
21	4203 065 62310	Insert shredding coarse (opt.)
22	4203 065 63020	Insert holder
23	4203 065 63010	Knife unit
24	4203 065 63160	Emulsif disc
25	4203 065 63000	Toolholder
26	4203 065 61540	Insert slicing medium
27	4203 065 61530	Insert slicing fine (opt.)
28	4203 065 61570	Insert granulating