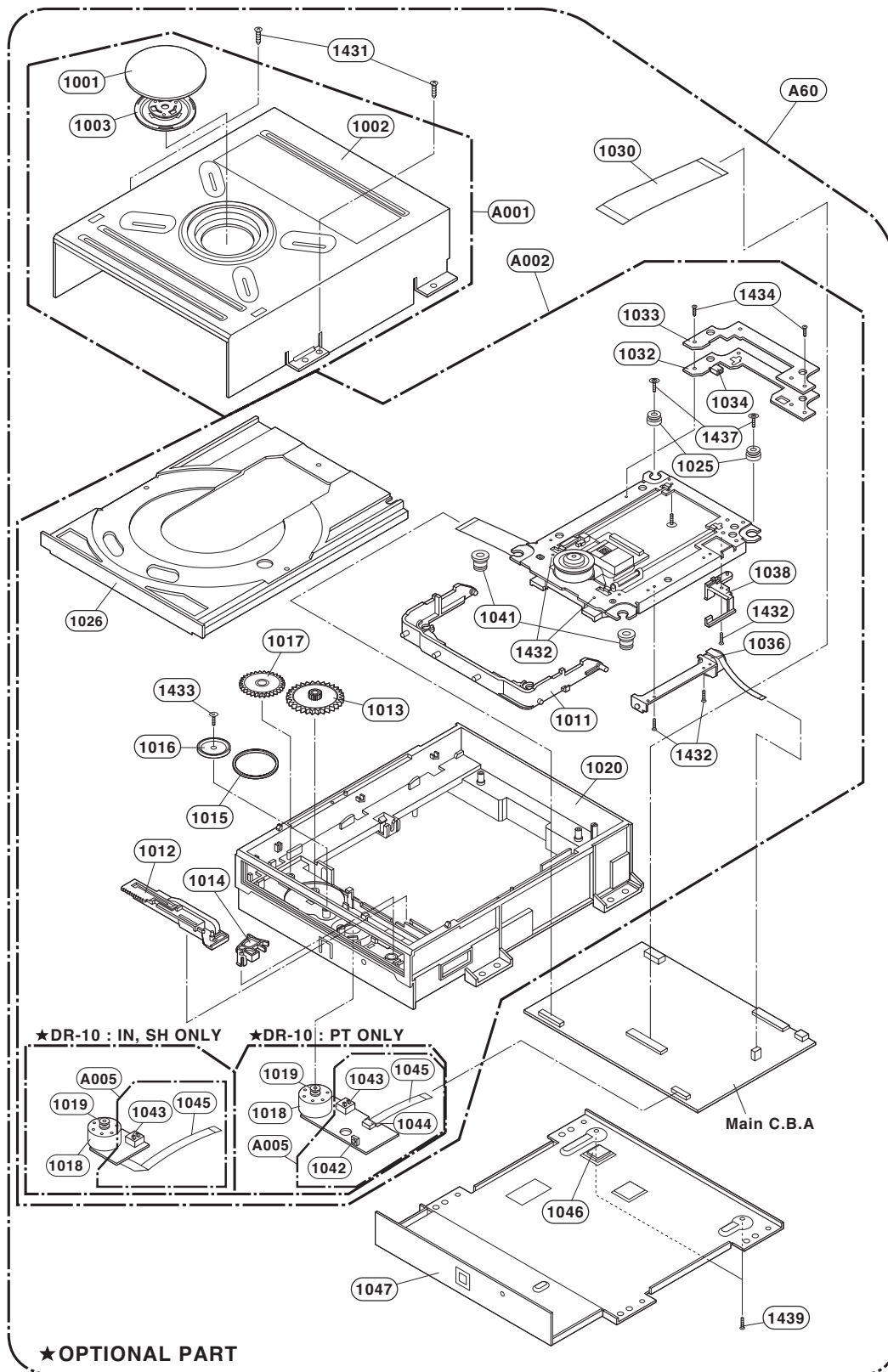
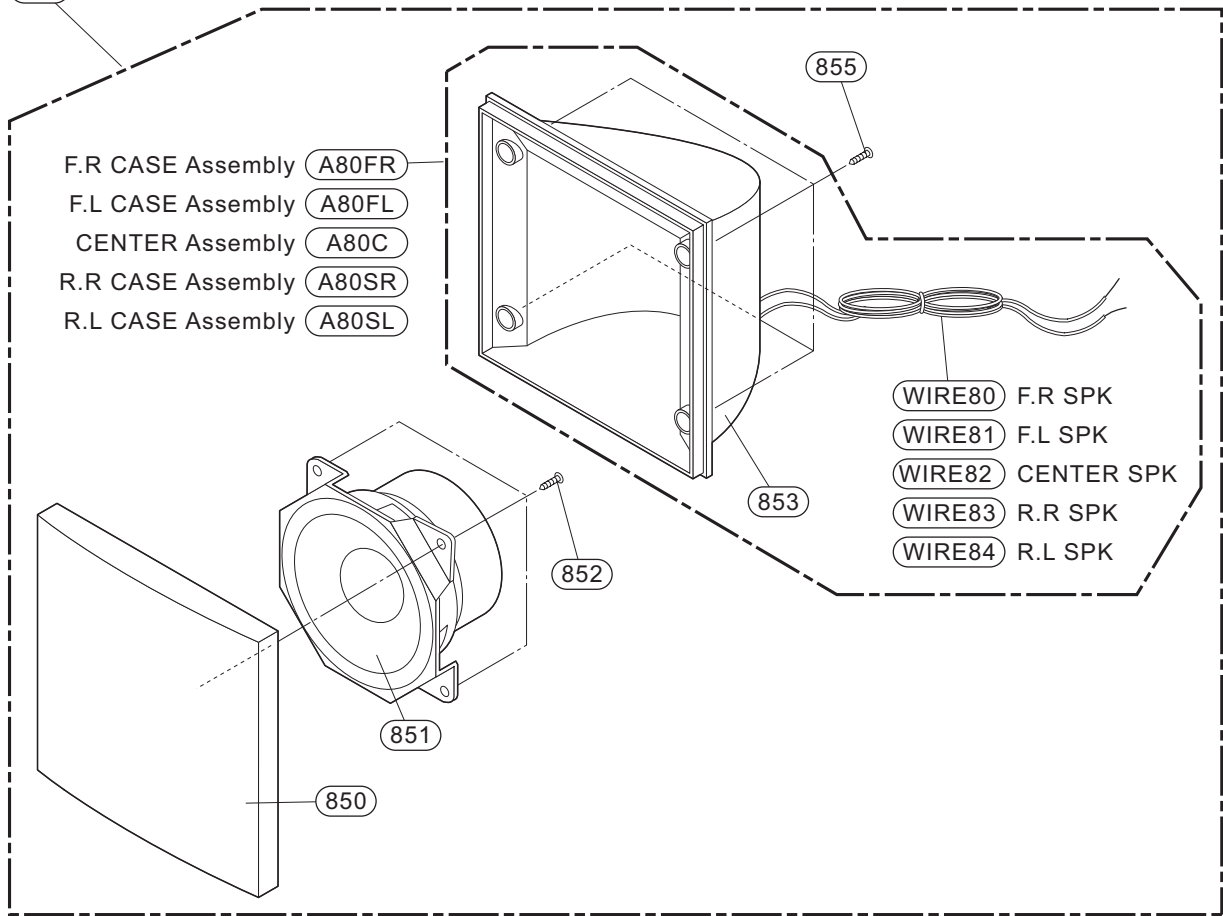


2. DECK MECHANISM SECTION(RS-02A)

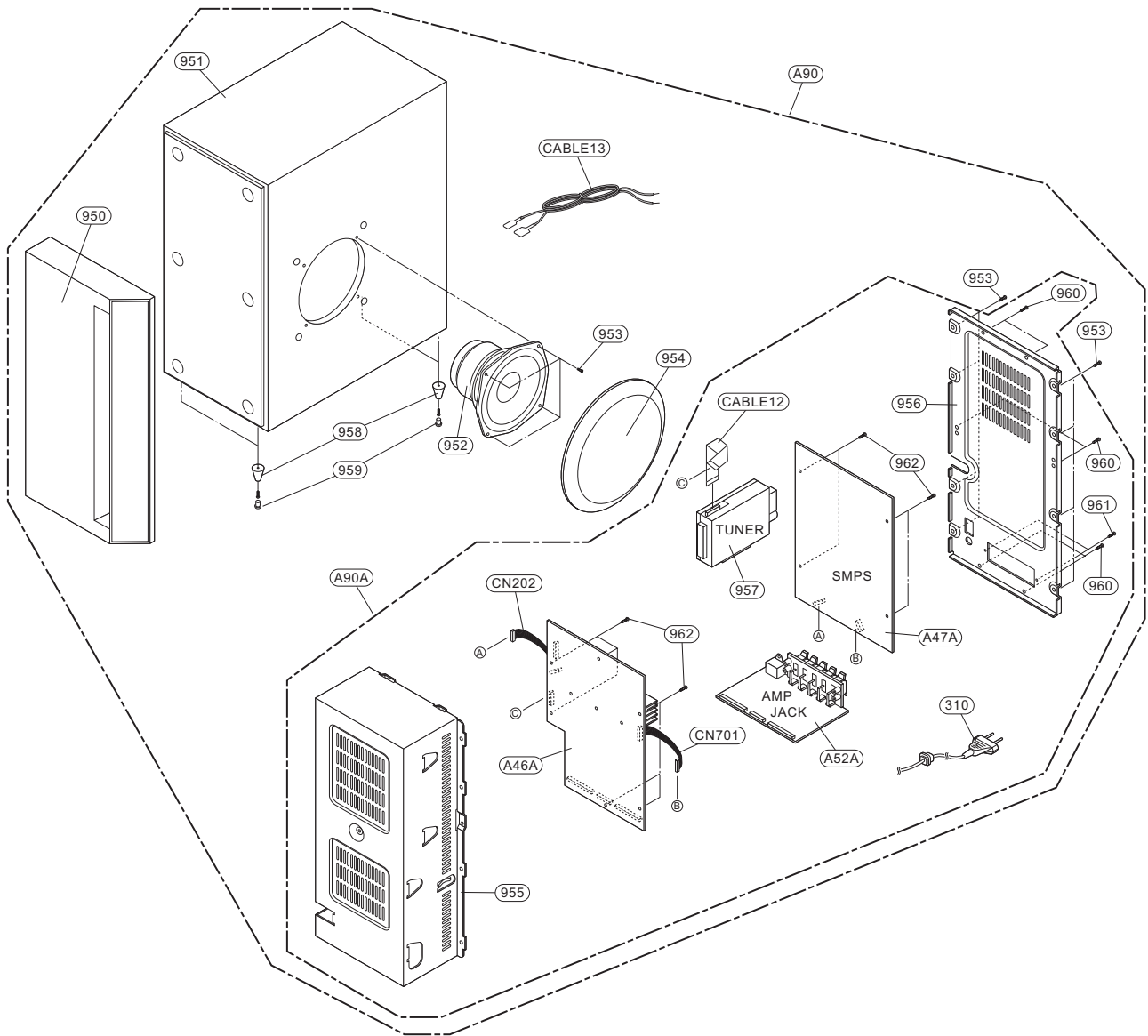


3. FRONT/CENTER/REAR SPEAKER SECTION(SH32SC-S)

- (A80) F.R SPK
- (A81) F.L SPK
- (A82) CENTER SPK
- (A83) R.R SPK
- (A84) R.L SPK



4. ACTIVE WOOFER SPEAKER SECTION(SH32SC-A)



5. PACKING ACCESSORY SECTION

