

Service  
Service  
**Service**



Philips Consumer Lifestyle

# Service Manual

## PRODUCT INFORMATION

### Features

- Powerful 1200 W commercial grade motor
- Extra wide feeding tube chute system
- Heavy duty die cast metal base
- Durable stainless steel parts
- Juicer faster - no cutting if fruit or vegetables required
- Micro mesh filter system - up to 50 % more juice than standards
- 2 speed electronic control
- Commercial standard « OFF » button
- Easy to clean
- 15 year motor warranty \*
- 2 year product warranty \*
- \* *The warranty is only applicable in Australia and New Zealand*
- Recipe booklet

### Accessories

- Cleaning brush
- Recipe book

### Safety

- This product meets the requirements regarding interference suppression on radio and TV.
- After the product has been repaired, it should function properly and has to meet the safety requirements as officially laid down at this moment.

## TECHNICAL INFORMATION

- Power : 1200 W
- Frequency : 50 / 60 Hz
- Speed : 2 speed
  - 1 - 6000 rpm
  - 2 - 8000 rpm
- Pulp Container : 2500 ml
- Juice Jug (incl. Foam separator) : 1500 ml
- Power cordset length : 1,2 m
- Product size:
  - Length : 320 mm
  - Width : 220 mm
  - Height : 415 mm  
(with food pusher)
- Weight : < 7,5 kg

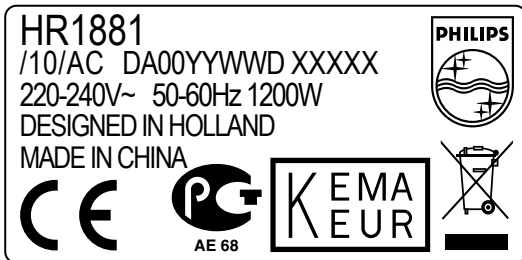
### Design specifications:

- Main Housing : Material : Aluminum
- Surface treatment : Die Cast brushed & Powder coated
- Juicer Collector/Tray : ABS
- Juicer Lid : SAN
- Pusher : ABS
- Pulp Container : PP
- Sieve : Stainless steel
- Sieve Coupling : PPO
- Jug : SAN
- Jug Lid : ABS
- Foam Separataor : SAN
- Cleaning Brush : PP (grey)

## REPAIR INSTRUCTIONS

### Serial number explanation:

The serial number can be identified on the typeplate sticker.  
See example below.



Unique appliance ID combined with production date:  
DA00YYWWD XXXXX

DA (Domestic Appliances)  
00 (used for major technical changes)  
YY (Year)  
WW (Week)  
D (Day / 1 = Monday)  
XXXXX (serial number, 5-digits starting at 0001 at first day of each production week)

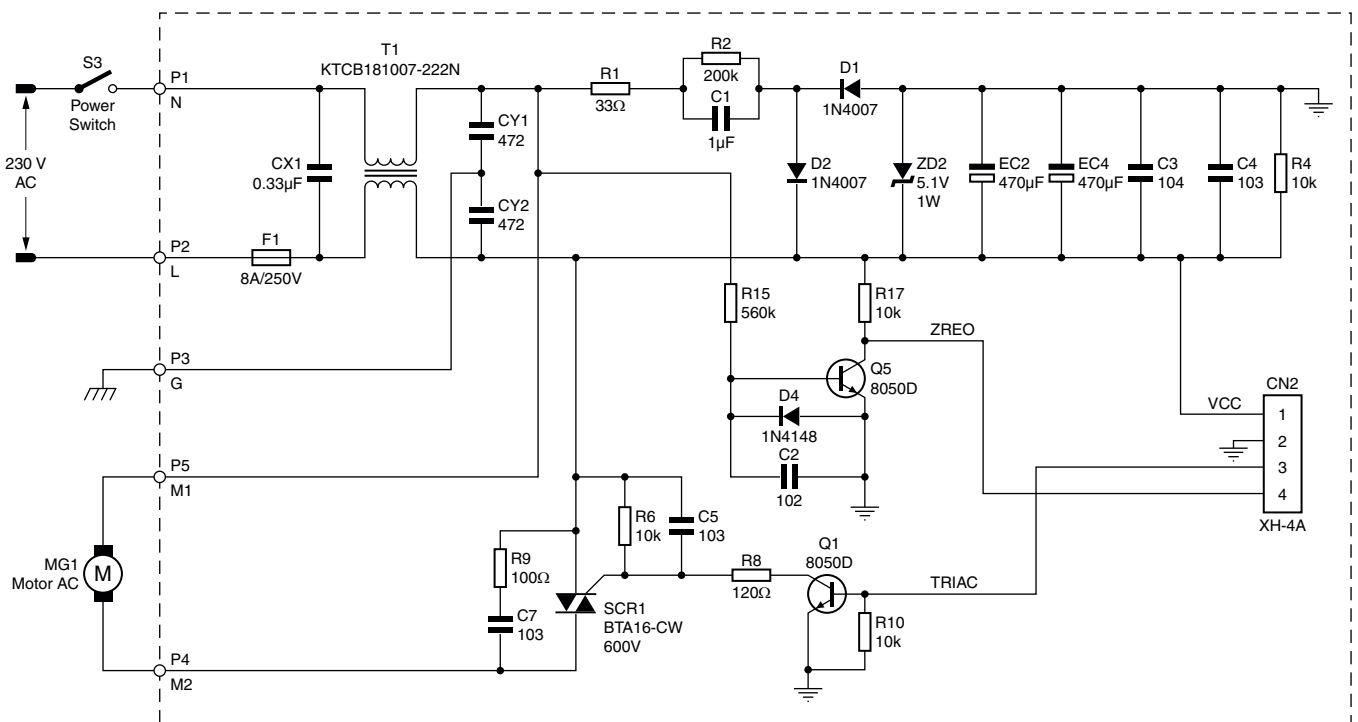
## DISASSEMBLY- AND RE-ASSEMBLY ADVISE

- No specific issues

## OPTIONAL (accessories)

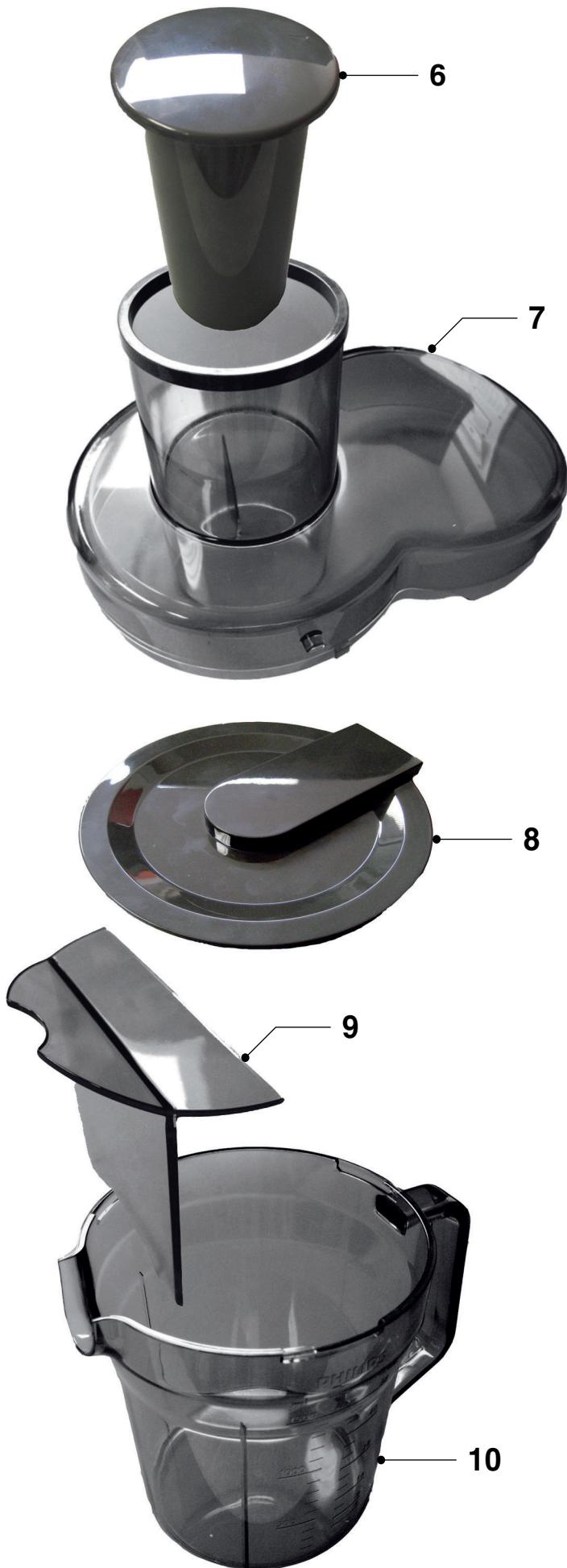
- No specific issues

## WIRING DIAGRAM





| Pos | Service code   | Description               |
|-----|----------------|---------------------------|
|     | 4203 035 89220 | Sieve Assy                |
|     | 4203 035 93201 | Tray Assy + Drip stop new |
| 3   | 4203 035 89240 | Spout assy                |
| 4   | 4203 035 93241 | Power unit Assy Weu       |
|     | 4203 035 93691 | Power unit Assy GB        |
| 5   | 4203 035 89270 | Pulp Container            |



| Pos | Service code   | Description    |
|-----|----------------|----------------|
| 6   | 4203 035 89280 | Pusher assy    |
| 7   | 4203 035 93211 | Lid new        |
| 8   | 4203 035 89300 | Jug Lid        |
| 9   | 4203 035 89310 | Foam Separator |
| 10  | 4203 035 89320 | Jug            |
| 11  | 4203 035 89330 | Pipe brush     |
| 12  | 4203 035 89340 | Round brush    |



**1. step: remove of rubber-feet**

Open the 4 screws on the bottom side to remove the rubber feet. Use a philips screw driver.



**2. step: remove bottom**

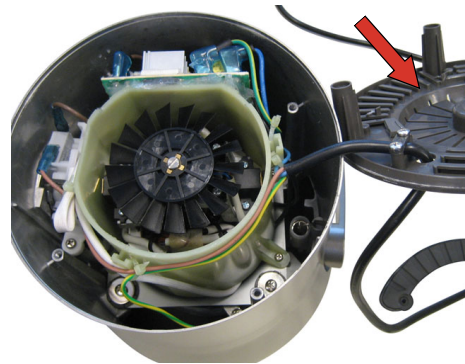
Open the 4 screws on the bottom side with a philips screw driver.



Unscrew the motor tube inside.



Now you can remove the bottom.



**3. step: now you can check the motor.**

